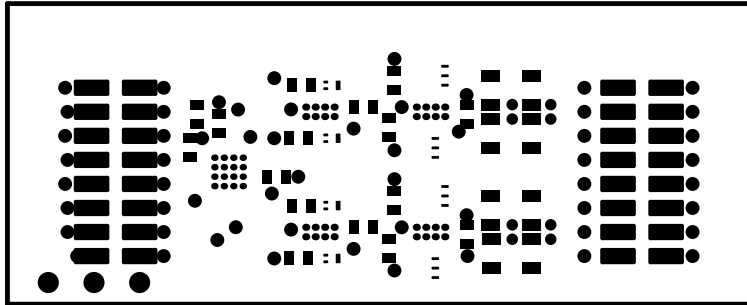
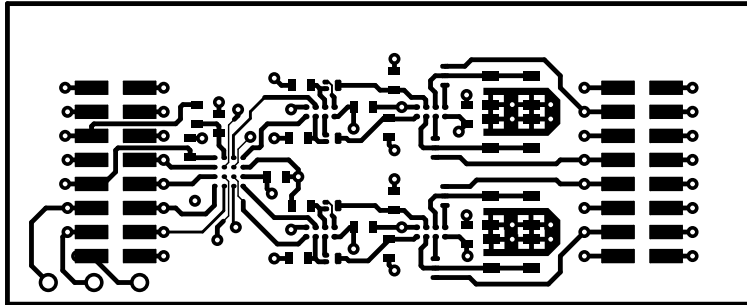


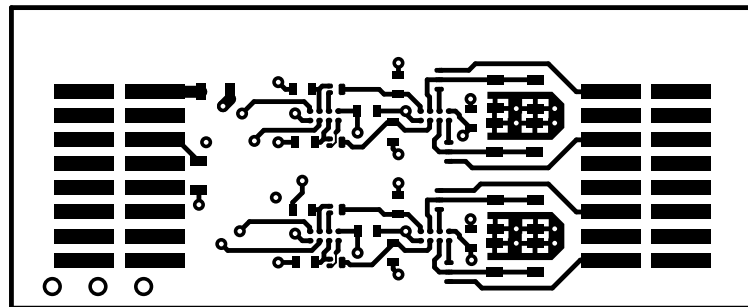
ALL ARTWORK VIEWED FROM TOP SIDE	BOARD #: TIDA-01525	REV: A1	SVN REV: Not In VersionControl
LAYER NAME = Top Overlay	TID #: TIDA-01525		
PLOT NAME = Top Overlay	GENERATED : 11/20/2018 10:24:25 AM		TEXAS INSTRUMENTS



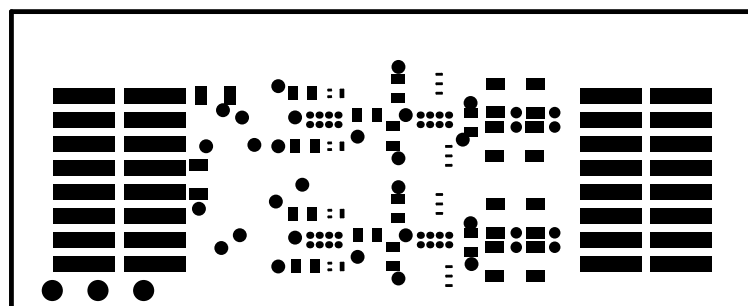
ALL ARTWORK VIEWED FROM TOP SIDE	BOARD #: TIDA-01525	REV: A1	SVN REV: Not In VersionControl
LAYER NAME = Top Solder	TID #: TIDA-01525		
PLOT NAME = Top Solder Mask	GENERATED : 11/20/2018 10:24:30 AM		TEXAS INSTRUMENTS



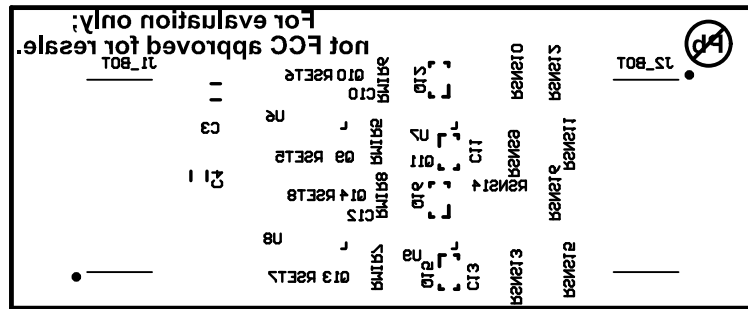
ALL ARTWORK VIEWED FROM TOP SIDE	BOARD #: TIDA-01525	REV: A1	SVN REV: Not In VersionControl
LAYER NAME = Top Layer	TID #: TIDA-01525		
PLOT NAME = Top Layer	GENERATED : 11/20/2018 10:24:35 AM		TEXAS INSTRUMENTS



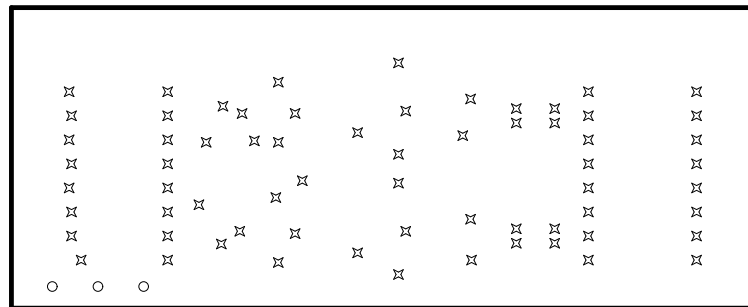
ALL ARTWORK VIEWED FROM TOP SIDE	BOARD #: TIDA-01525	REV: A1	SVN REV: Not In VersionControl
LAYER NAME = Bottom Layer	TID #: TIDA-01525		
PLOT NAME = Bottom Layer	GENERATED : 11/20/2018 10:24:39 AM		TEXAS INSTRUMENTS



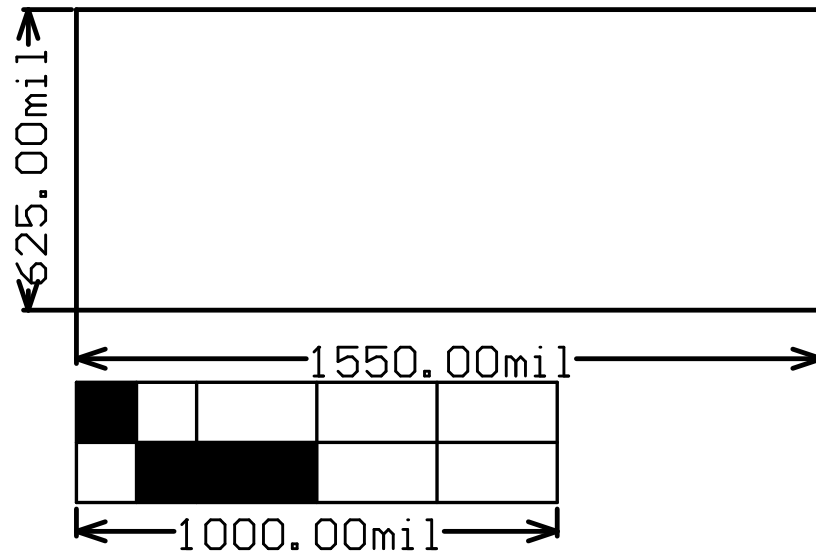
ALL ARTWORK VIEWED FROM TOP SIDE	BOARD #: TIDA-01525	REV: A1	SVN REV: Not In VersionControl
LAYER NAME = Bottom Solder	TID #: TIDA-01525		
PLOT NAME = Bottom Solder Mask	GENERATED : 11/20/2018 10:24:41 AM	TEXAS INSTRUMENTS	



ALL ARTWORK VIEWED FROM TOP SIDE	BOARD #: TIDA-01525	REV: A1	SUN REV: Not In VersionControl
LAYER NAME = Bottom Overlay	TID #: TIDA-01525		
PLOT NAME = Bottom Overlay	GENERATED : 11/20/2018 10:24:44 AM		TEXAS INSTRUMENTS



ALL ARTWORK VIEWED FROM TOP SIDE	BOARD #: TIDA-01525	REV: A1	SVN REV: Not In VersionControl
LAYER NAME = Drill Drawing	TID #: TIDA-01525		
PLOT NAME = Drill Drawing	GENERATED : 11/20/2018 10:24:47 AM		TEXAS INSTRUMENTS



ALL ARTWORK VIEWED FROM TOP SIDE	BOARD #: TIDA-01525	REV: A1	SVN REV: Not In VersionControl
LAYER NAME = M2 Board Dimensions	TID #: TIDA-01525		
PLOT NAME = Board Dimensions	GENERATED : 11/20/2018 10:24:49 AM		TEXAS INSTRUMENTS

IMPORTANT NOTICE AND DISCLAIMER

TI PROVIDES TECHNICAL AND RELIABILITY DATA (INCLUDING DATASHEETS), DESIGN RESOURCES (INCLUDING REFERENCE DESIGNS), APPLICATION OR OTHER DESIGN ADVICE, WEB TOOLS, SAFETY INFORMATION, AND OTHER RESOURCES "AS IS" AND WITH ALL FAULTS, AND DISCLAIMS ALL WARRANTIES, EXPRESS AND IMPLIED, INCLUDING WITHOUT LIMITATION ANY IMPLIED WARRANTIES OF MERCHANTABILITY, FITNESS FOR A PARTICULAR PURPOSE OR NON-INFRINGEMENT OF THIRD PARTY INTELLECTUAL PROPERTY RIGHTS.

These resources are intended for skilled developers designing with TI products. You are solely responsible for (1) selecting the appropriate TI products for your application, (2) designing, validating and testing your application, and (3) ensuring your application meets applicable standards, and any other safety, security, or other requirements. These resources are subject to change without notice. TI grants you permission to use these resources only for development of an application that uses the TI products described in the resource. Other reproduction and display of these resources is prohibited. No license is granted to any other TI intellectual property right or to any third party intellectual property right. TI disclaims responsibility for, and you will fully indemnify TI and its representatives against, any claims, damages, costs, losses, and liabilities arising out of your use of these resources.

TI's products are provided subject to TI's Terms of Sale (www.ti.com/legal/termsofsale.html) or other applicable terms available either on ti.com or provided in conjunction with such TI products. TI's provision of these resources does not expand or otherwise alter TI's applicable warranties or warranty disclaimers for TI products.

Mailing Address: Texas Instruments, Post Office Box 655303, Dallas, Texas 75265
Copyright © 2018, Texas Instruments Incorporated