

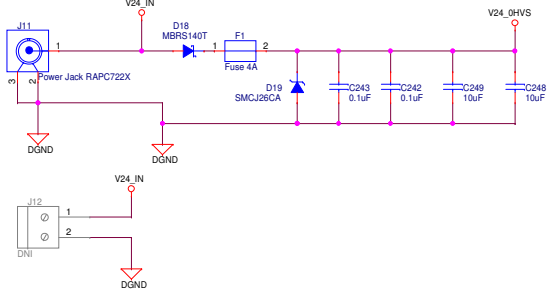
AM335X_ICE Board

- See the Hardware Implementation Document for design details
- See the Hardware User Guide for board details
- See the PCB Build Specification for PCB Details

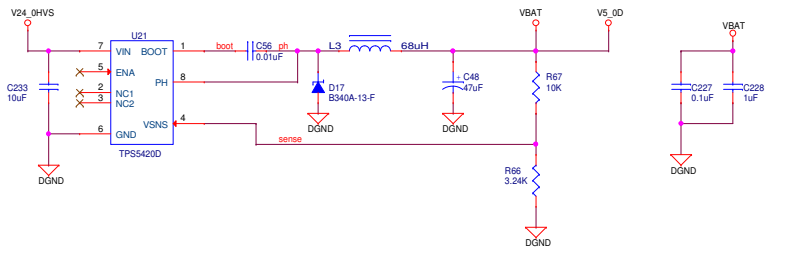


ARM MPU	Texas Instruments, Inc.			
	ARM MPU Business Unit 12500 TI Blvd Dallas, TX 75243			
	TMDXICE3359			
	Title			
Size	Document Number	Modified By:	Rev	
C	AM335X_ICE_3H0013_2V1A.dsn	Rachna	2.1A	
Date: Wednesday, April 17, 2013		Sheet: 1	of 15	

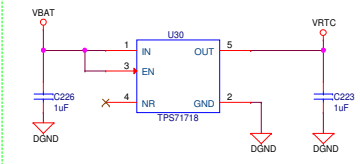
Main Power Input



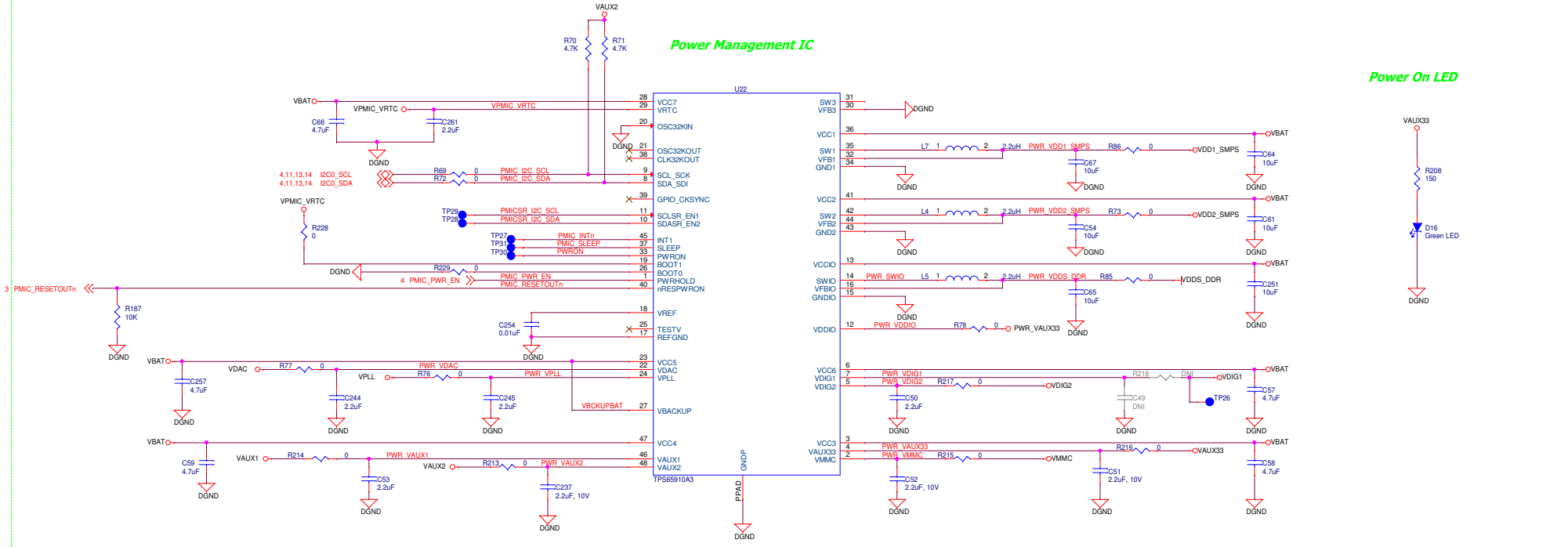
24V to 5V DC - DC CONVERTER



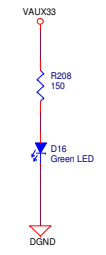
VRTC REGULATOR



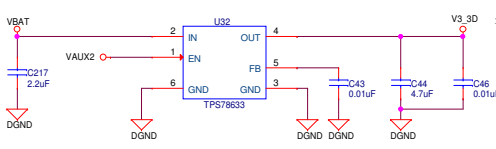
Power Management IC



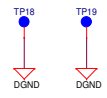
Power On LED



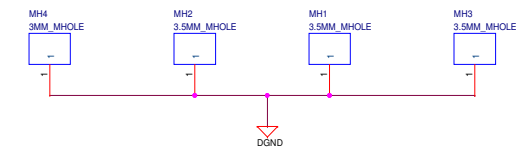
LDO for V3_3D



GND PROBING POINTS



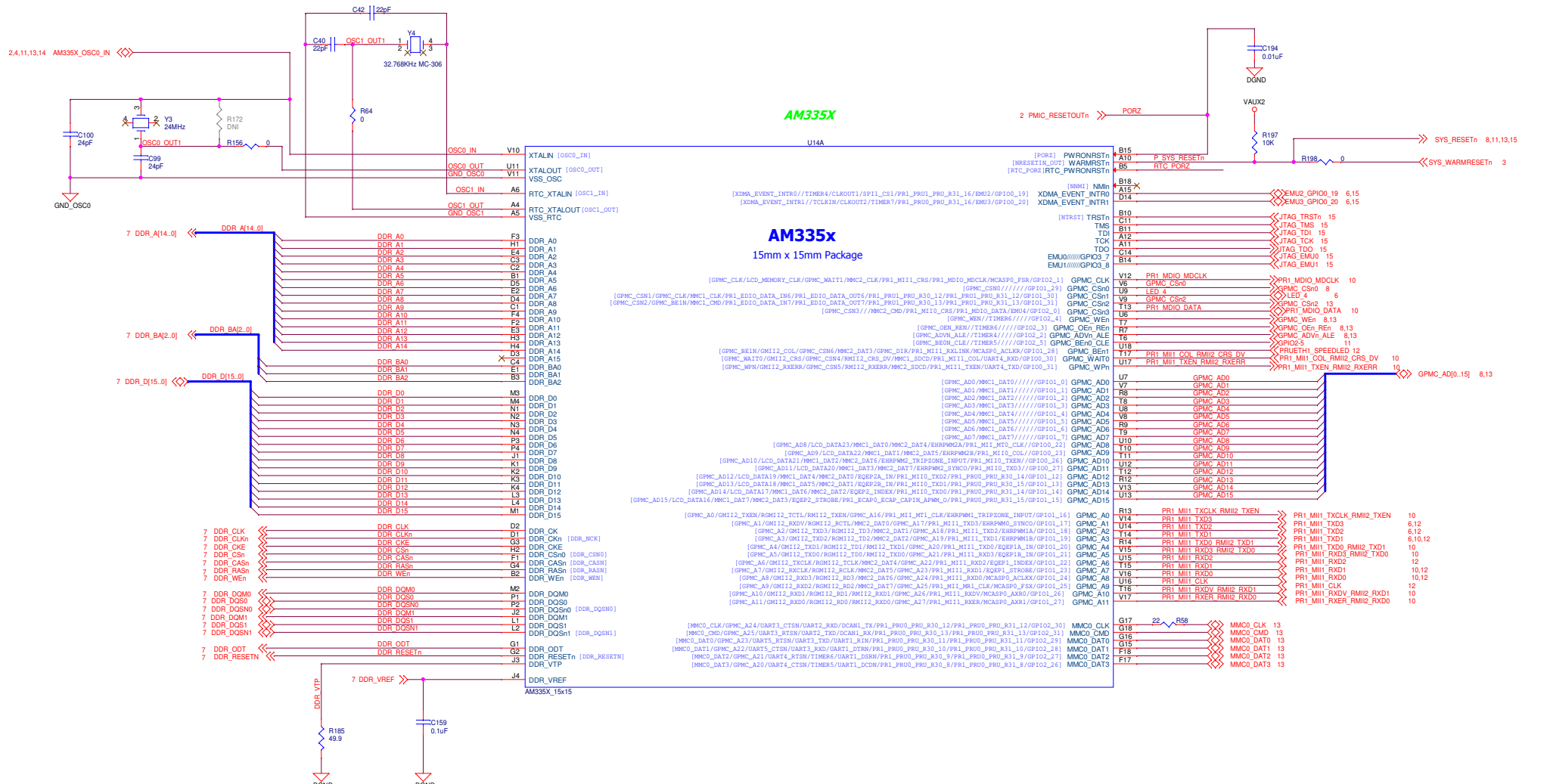
MOUNT HOLES



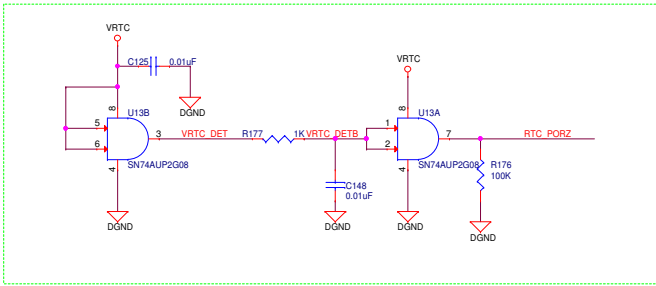
ARM MPU Texas Instruments, Inc.
ARM MPU Business Unit
15200 TI Blvd
Dallas, TX 75243

TMDXICE3359
Power Management

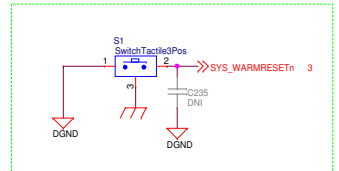
Size C	Document Number AM335X_JCE_3H0013_2V1A.dsn	Modified By: Radha	Rev 2.1A
Date: Wednesday, April 17, 2013		Sheet: 2	of 15



RTC POWER ON RESET



WARM RESET SWITCH



ICEV2

ARM MPU

Texas Instruments, Inc.
ARM MPU Business Unit
12500 TI Blvd
Dallas, TX 75243

TEXAS INSTRUMENTS

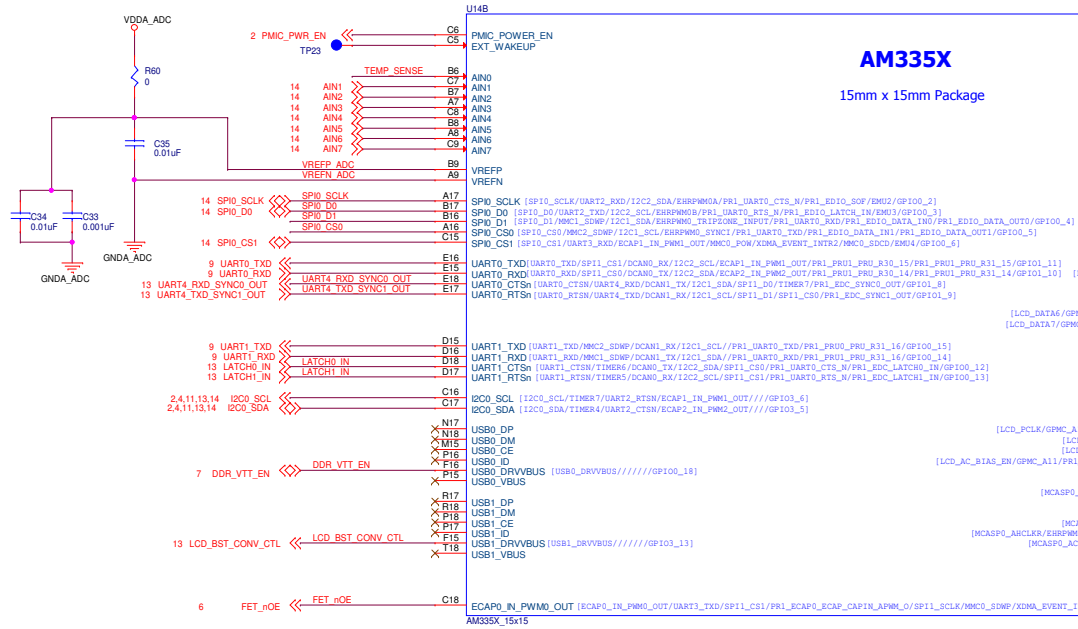
TMDXICE3559
AM335X 1 OF 3

Size	Document Number	Modified By:	Rev
C	AM335X_ICE_3H0013_2V1A.dsn	Rachna	2.1A

Date: Wednesday, April 17, 2013 Sheet: 3 of 15

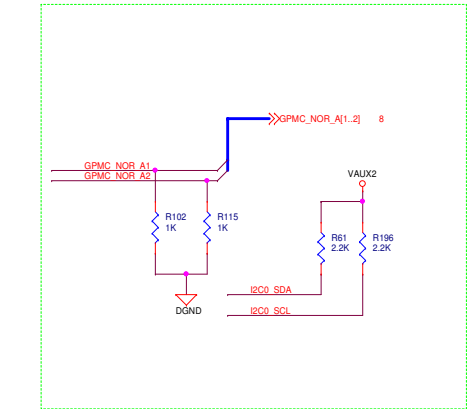
AM335X

AM335X
15mm x 15mm Package

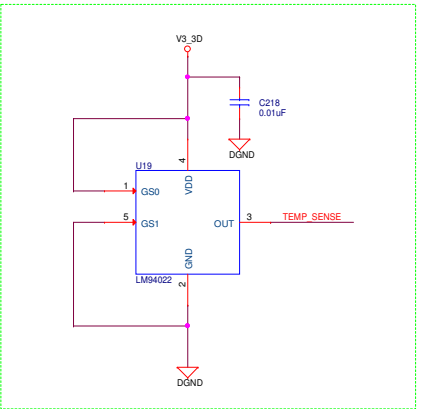


[GM11_TXCLK/UART2_RXD/RGM11_TXCLK/MNC0_DAT7/MNC1_DATA0/UART1_DCDN/MCASPO_ACLKX/GP103_9]	M11_TXCLK	K19	LED_3	ED_3	6
[GM11_TXD0/RM11_TXD0/RM11_TXD0/MCASP1_ACLKX/EQEP0B_IN/MNC1_CLK/GP100_28]	M11_TXD0	K17	RM11_TXD0	RM11_TXD0	11
[GM11_TXD1/RM11_TXD1/RM11_TXD1/MCASP1_ACLKX/EQEP0B_IN/MNC1_CLK/GP100_21]	M11_TXD1	K16	RM11_TXD1	RM11_TXD1	11
[GM11_TXD2/DCAN0_RX/RM11_TXD2/UART4_TXD/MCASP1_ACLKX/MNC2_DATA1/MCASPO_FSK/GP100_17]	M11_TXD2	K15	LED_1	ED_1	6
[GM11_TXD3/DCAN0_RX/RM11_TXD3/UART4_TXD/MCASP1_ACLKX/MNC2_DATA1/MCASPO_FSK/GP100_16]	M11_TXD3	K16	RM11_TXEN	ED_2	6
[GM11_TXEN/RM11_TXEN/RM11_TXEN/TIMER4/MCASP1_ACLKX/MNC2_DATA1/MCASPO_FSK/GP103_3]	M11_TXEN	H18	LED_2	ED_1	6
[GM11_CRS/RM11_CRS_DV/SP11_D0/DC12_SDA/MCASP1_ACLKX/UART5_CTSn/UART2_RXD/GP103_1]	M11_CRS	H17	RM11_CRS_DV	RM11_CRS_DV	11
[GM11_COL/RM12_REFCLK/SP11_SCLK/UART3_RXD/MCASP1_ACLKX/MNC2_DATA3/MCASPO_AKX2/GP103_0]	M11_COL	H16	AM335X_REFCLK_RM12		12
[GM11_RXCLK/UART2_TXD/RGM11_RXCLK/MNC0_DATA6/MNC1_DATA1/UART1_DSRN/MCASPO_FSK/GP103_10]	M11_RXCLK	L18	MUX_M11_CTL1	MUX_M11_CTL_1	10
[GM11_RXD0/RM11_RXD0/RM11_RXD0/MCASP1_ACLKX/MCASP1_ACLKX/MCASP1_ACLKX/MCASPO_AKX3/GP102_21]	M11_RXD0	L15	RM11_RXD1	RM11_RXD0	6,11
[GM11_RXD1/RM11_RXD1/RM11_RXD1/MCASP1_AKX3/MCASP1_FSK/EQEP2_STOREB/MNC2_CLK/GP100_20]	M11_RXD1	L16	UART3_RXD	UART3_RXD	15
[GM11_RXD2/UART1_TXD/RGM11_RXD2/MNC0_DATA7/UART1_R1N/MCASPO_AKX1/GP102_19]	M11_RXD2	L17	UART3_RXD	UART3_RXD	15
[GM11_RXD3/UART1_TXD/RGM11_RXD3/MNC0_DATA7/UART1_R1N/MCASPO_AKX1/GP102_18]	M11_RXD3	J15	RM11_RXERR	RM11_RXERR	10,11
[GM11_RXERR/RM11_RXERR/SP11_D1/DC12_SDA/MCASP1_FSK/UART5_STEN/UART2_TXD/GP103_2]	M11_RXERR	J17	RM11_RXERR	RM11_RXERR	10,11
[GM11_RXD0V/LCD_MEMORY_CLK/RGM11_RCTL/UART5_TXD/MCASP1_ACLKX/MNC2_DATA0/MCASPO_ACLKX/GP103_4]	M11_RXD0V	J15	PR1_M11_CTL_4		
[RM11_REFCLK/XDMA_EVENT_INTR2/SP11_CS0/UART5_TXD/MCASP1_AKX3/MNC0_P0W/MCASP1_AKX3/GP100_29]	M11_REFCLK	H18	AM335X_REFCLK_RM11		11
[MIO_CLK/TIMER6/UART5_RXD/UART3_CTSn/MNC0_SDC0/MNC1_CLK/MNC2_CLK/GP100_1]	MIO_CLK	M17	MIO_CLK	MIO_CLK	10
[MIO_DATA/TIMER6/UART5_RXD/UART3_CTSn/MNC0_SDC0/MNC1_CLK/MNC2_CLK/GP100_0]	MIO_DATA	M17	MIO_DATA	MIO_DATA	10

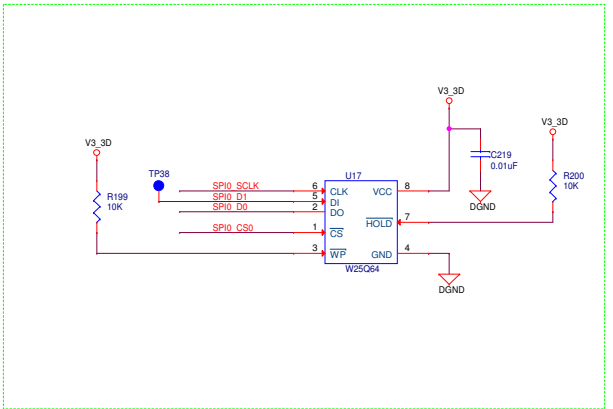
TEMPERATURE SENSOR



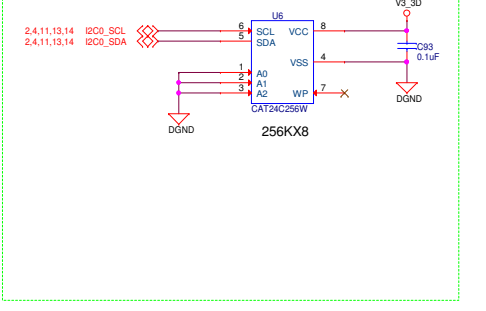
SPI FLASH



BOARD ID EEPROM



Variable & MAC Memory



ARM MPU Texas Instruments, Inc.
ARM MPU Business Unit
1500 TI Blvd
Dallas, TX 75243

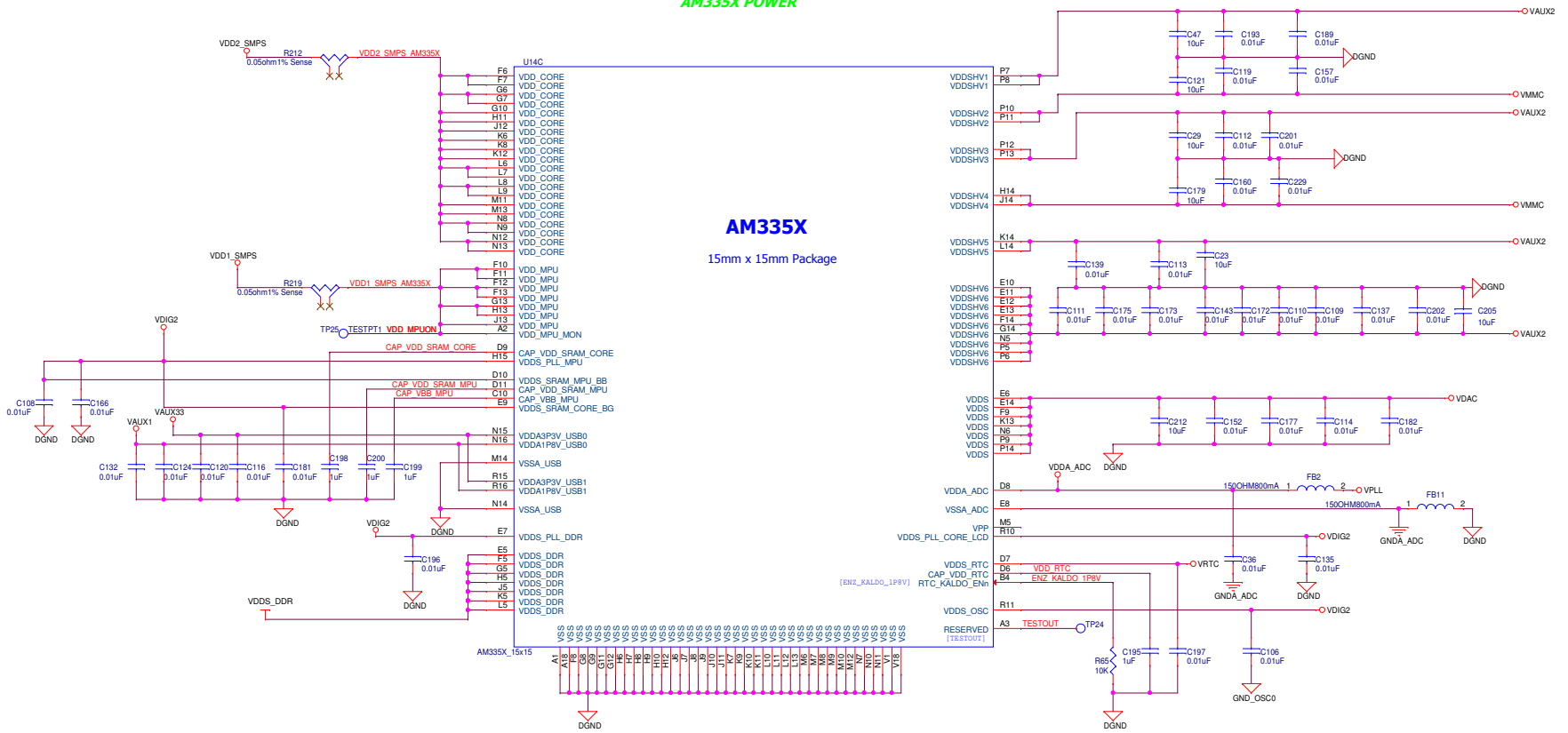
TEXAS INSTRUMENTS

TMDXICE3359
AM335X 2 Of 3

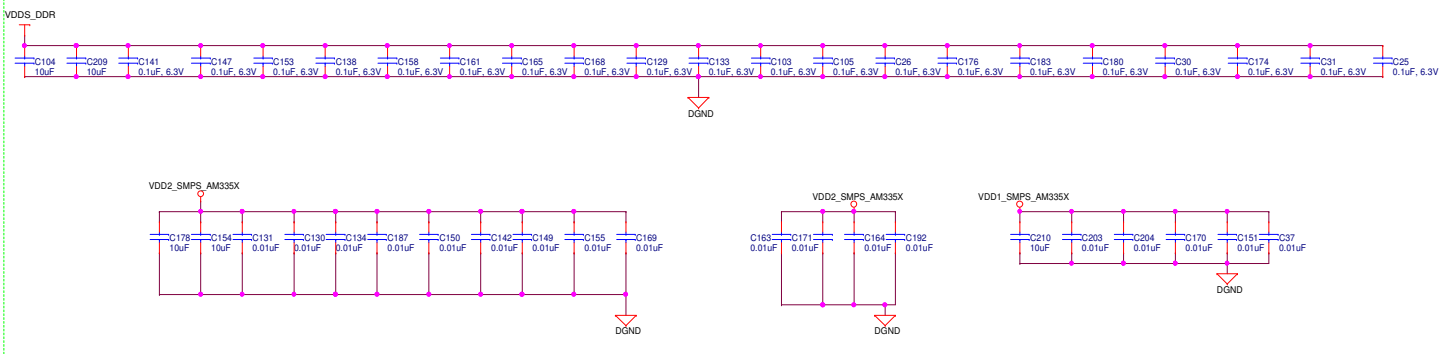
Size C Document Number AM335X_ICE_3H0013_2V1A.dsn Modified By: Radna Rev 2.1A
Date: Wednesday, April 17, 2013 Sheet: 4 of 15

AM335X POWER

AM335X
15mm x 15mm Package

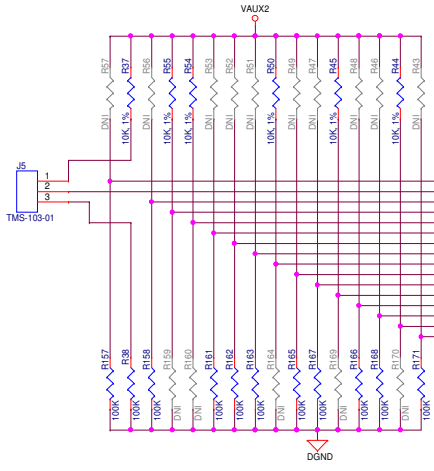


DECAPS



ARM MPU	Texas Instruments, Inc.		
	ARM MPU Business Unit 15500 TI Blvd Dallas, TX 75243		
	TMDXICE3359 AM335X 3 of 3		Date: Wednesday, April 17, 2013
Size C	Document Number AM335X_ICE_3H0013_2V1A.dsn	Modified By: Radha	Rev 2.1A
		Sheet: 5	of 15

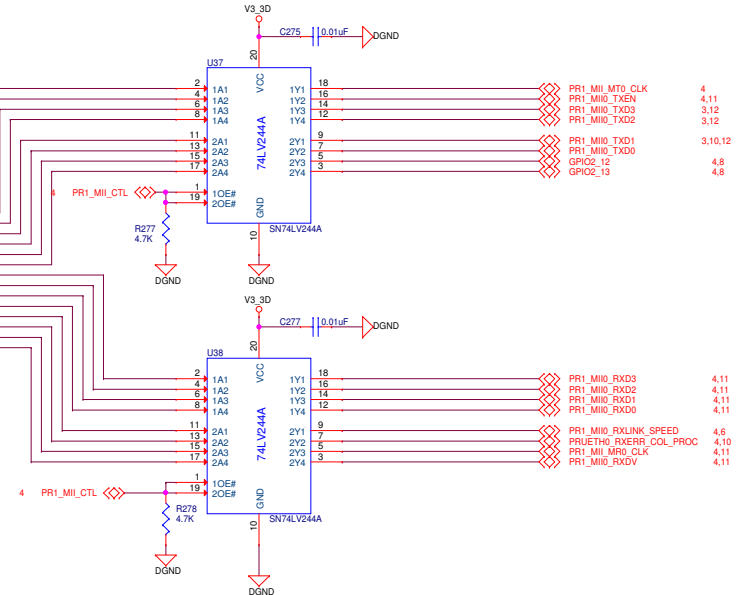
BOOT CONFIGURATION



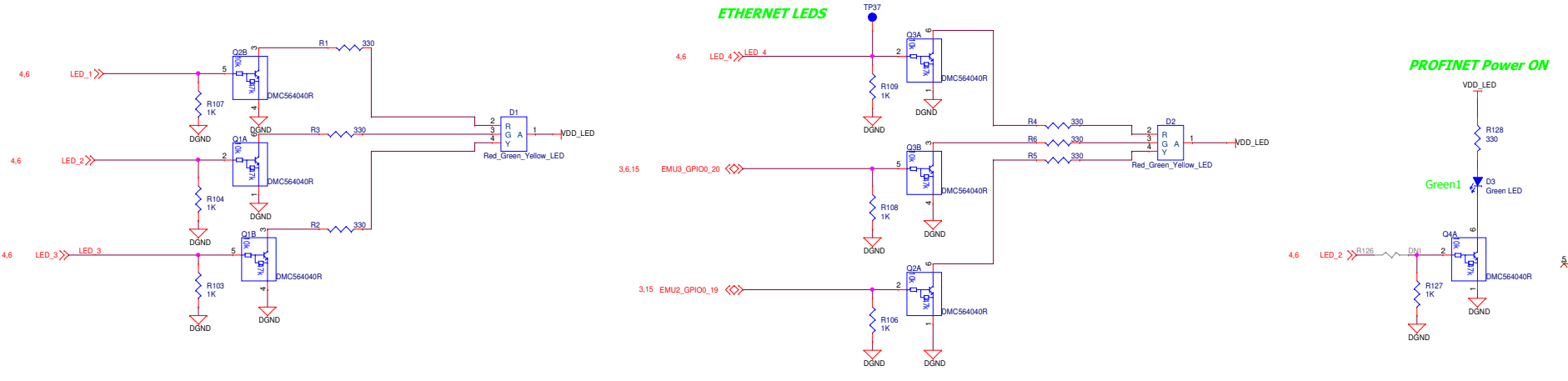
Check Hardware User's Guide for Boot Sequence Details

- SYS_BOOT0
- SYS_BOOT1
- SYS_BOOT2
- SYS_BOOT3
- SYS_BOOT4
- SYS_BOOT5
- SYS_BOOT6
- SYS_BOOT7
- SYS_BOOT8
- SYS_BOOT9
- SYS_BOOT10
- SYS_BOOT11
- SYS_BOOT12
- SYS_BOOT13
- SYS_BOOT14
- SYS_BOOT15

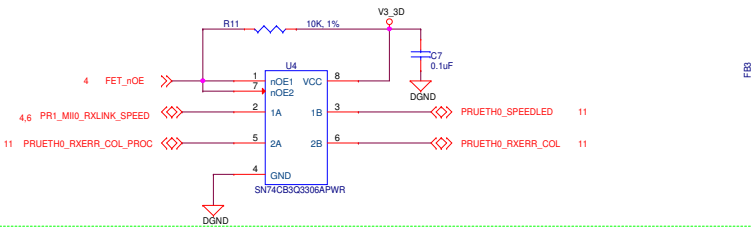
SYS BOOT BUFFERS



ETHERNET LEDS

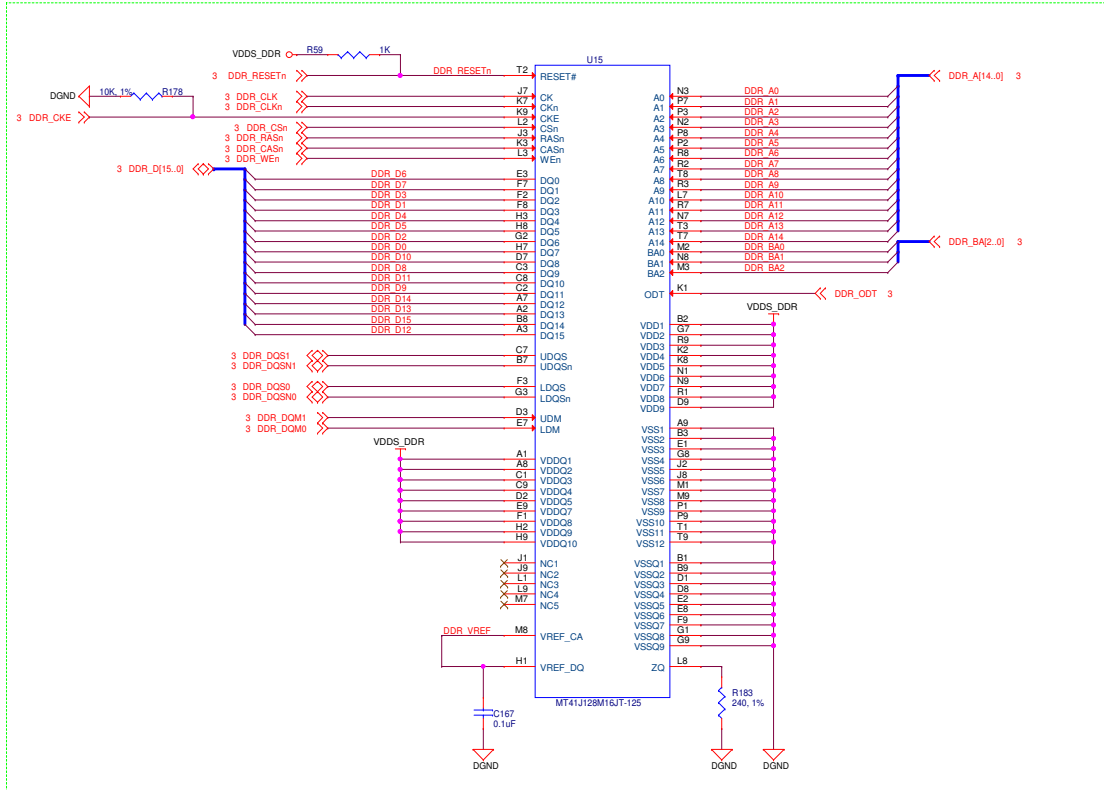


FET SWITCH

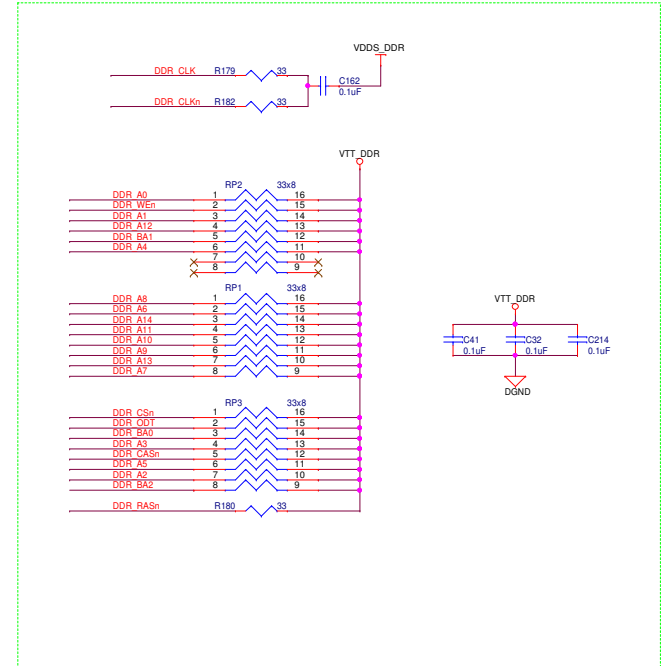


ARM MPU	Texas Instruments, Inc.		TEXAS INSTRUMENTS
	ARM MPU Business Unit 12500 TI Blvd Dallas, TX 75243		
	TMDXICE3359 SYSBOOT CONFIG & ETHERCAT LEDS		
	Size: C	Document Number: AM335X_ICE_3H0913_2V1A.dsn	Modified By: Ruchra
Date: Wednesday, April 17, 2013	Sheet: 6	of 15	

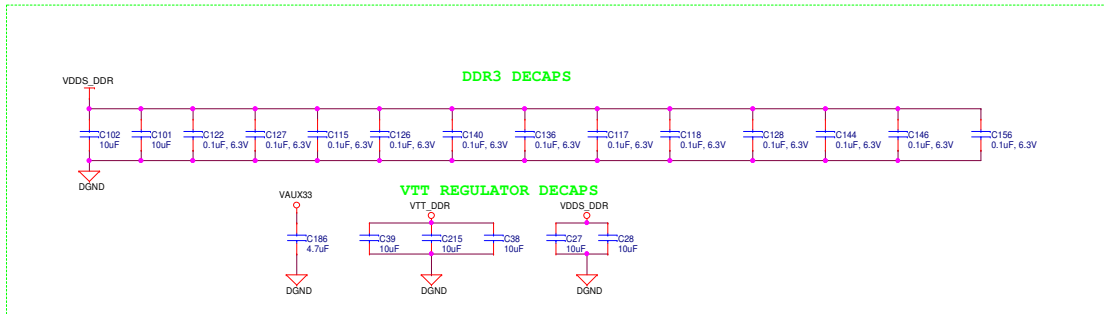
DDR3 SDRAM



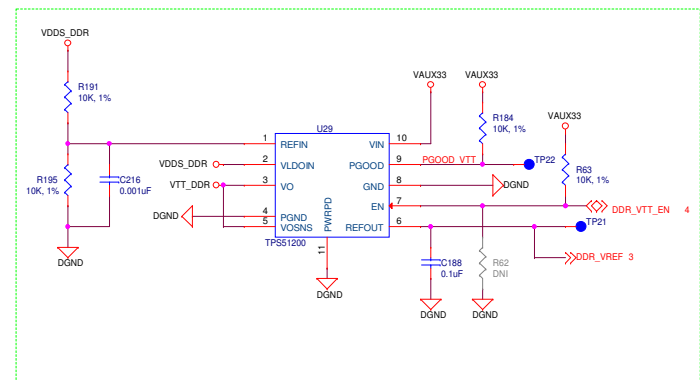
Terminations



DECAPS

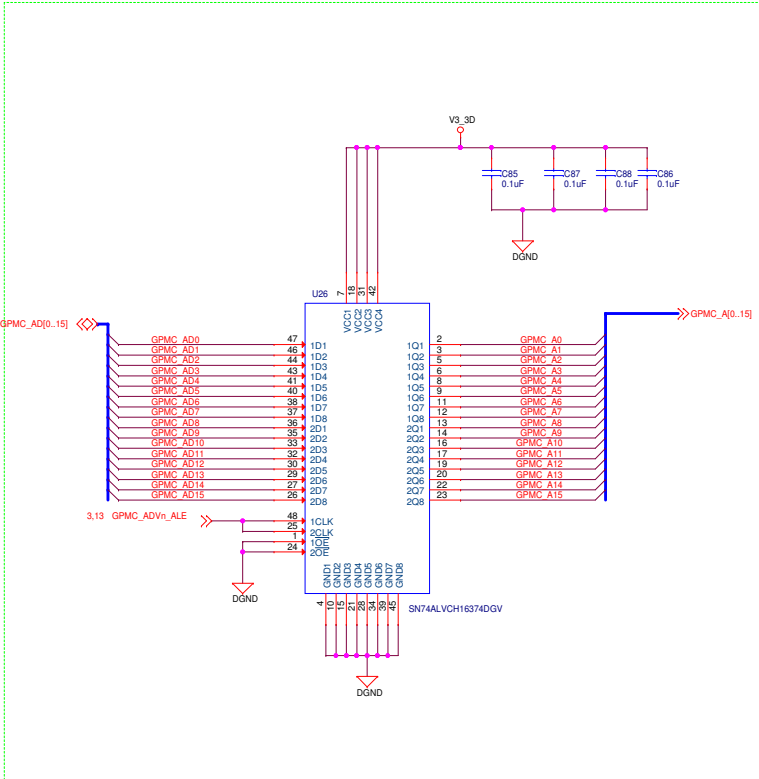


VTT REGULATOR

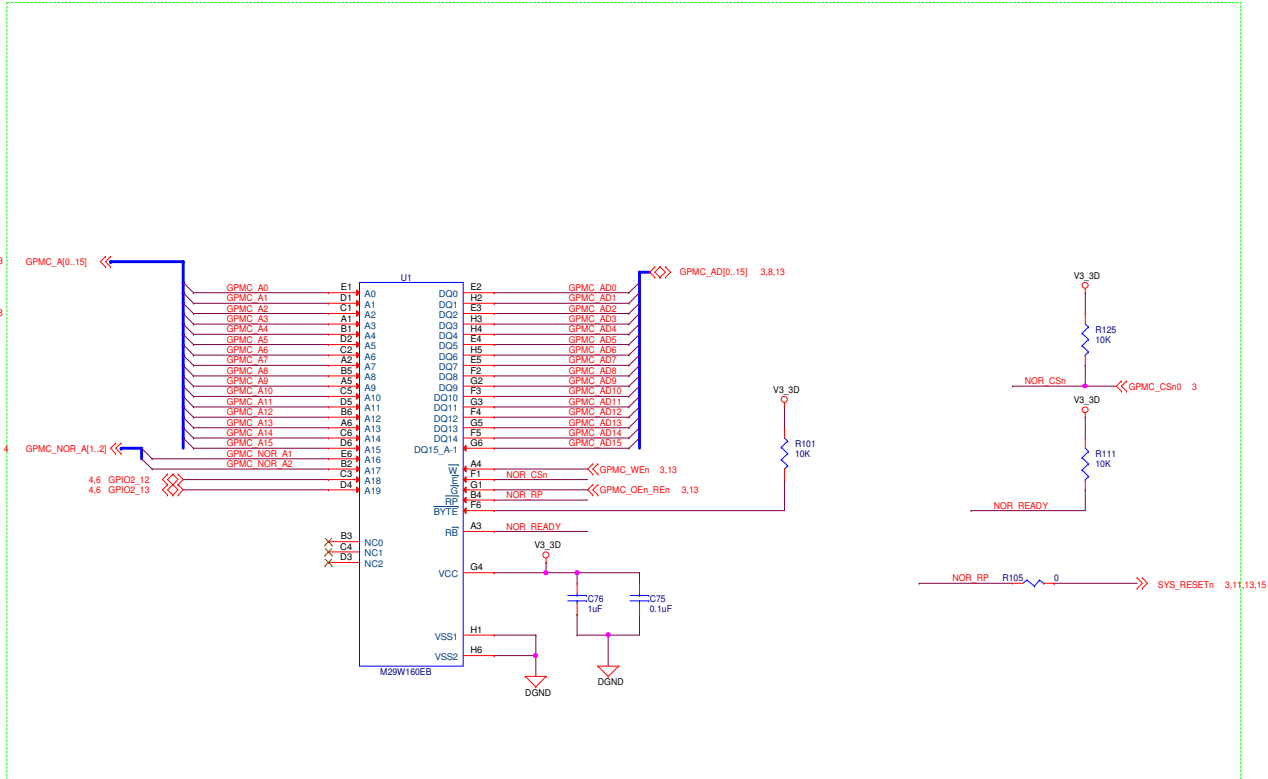


ARM MPU	Texas Instruments, Inc.		TEXAS INSTRUMENTS
	ARM MPU Business Unit 12500 TI Blvd Dallas, TX 75243		
	TMDXICE359		
	DDR3 Memory		
	Size C	Document Number AM335X_ICE_3H0013_2V1A.dsn	Modified By: Radha
Date:	Wednesday, April 17, 2013	Sheet: 7	of 15

D FLIPFLOP

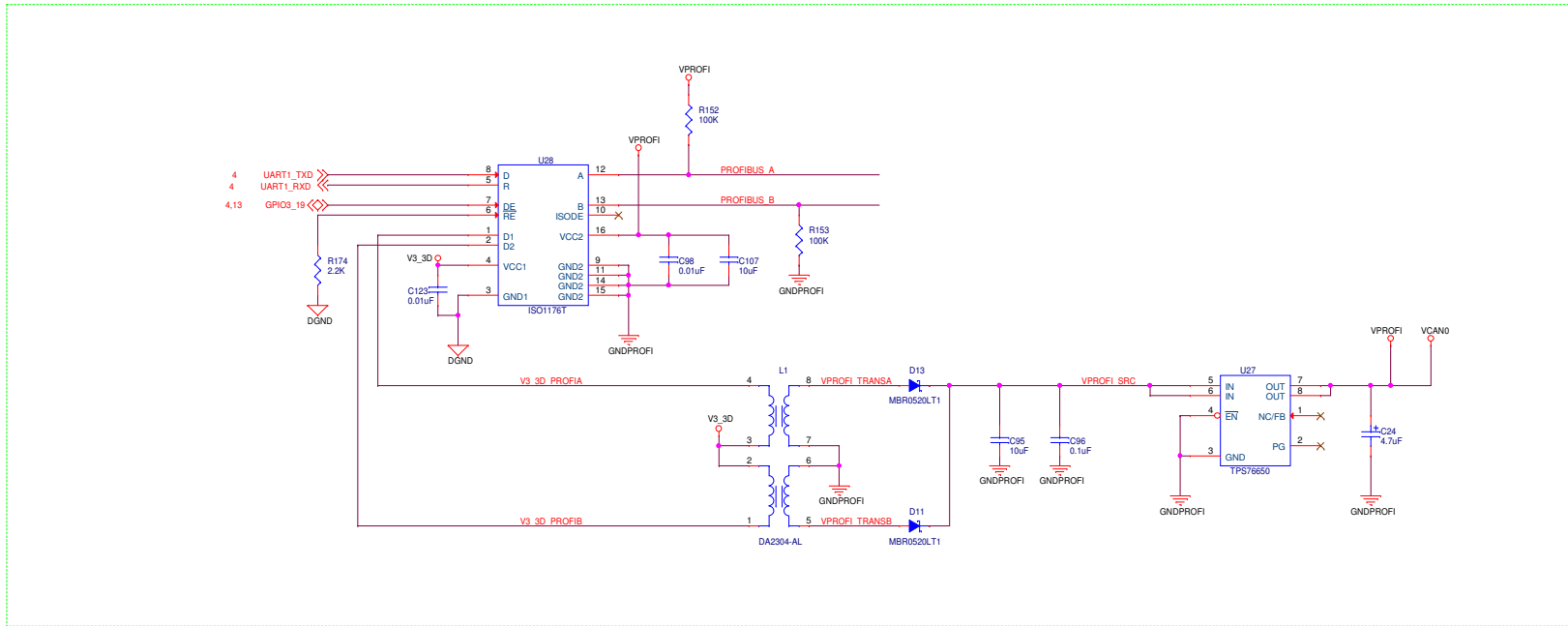


NOR FLASH

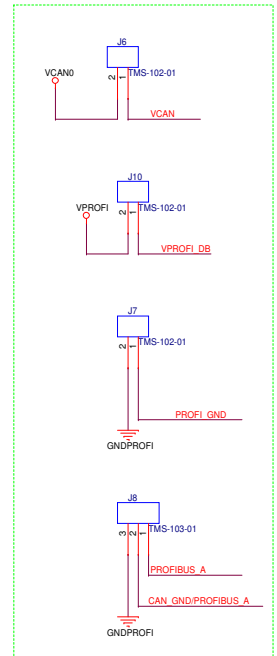


ARM MPU	Texas Instruments, Inc.		
	ARM MPU Business Unit 12500 TI Blvd Dallas, TX 75243		
	TMDXICE3359 NOR FLASH INTERFACE		
	Size C	Document Number AM335X_ICE_3H0013_2V1A.dsn	Modified By Radha
Date: Wednesday, April 17, 2013	Sheet: 6 of 15		

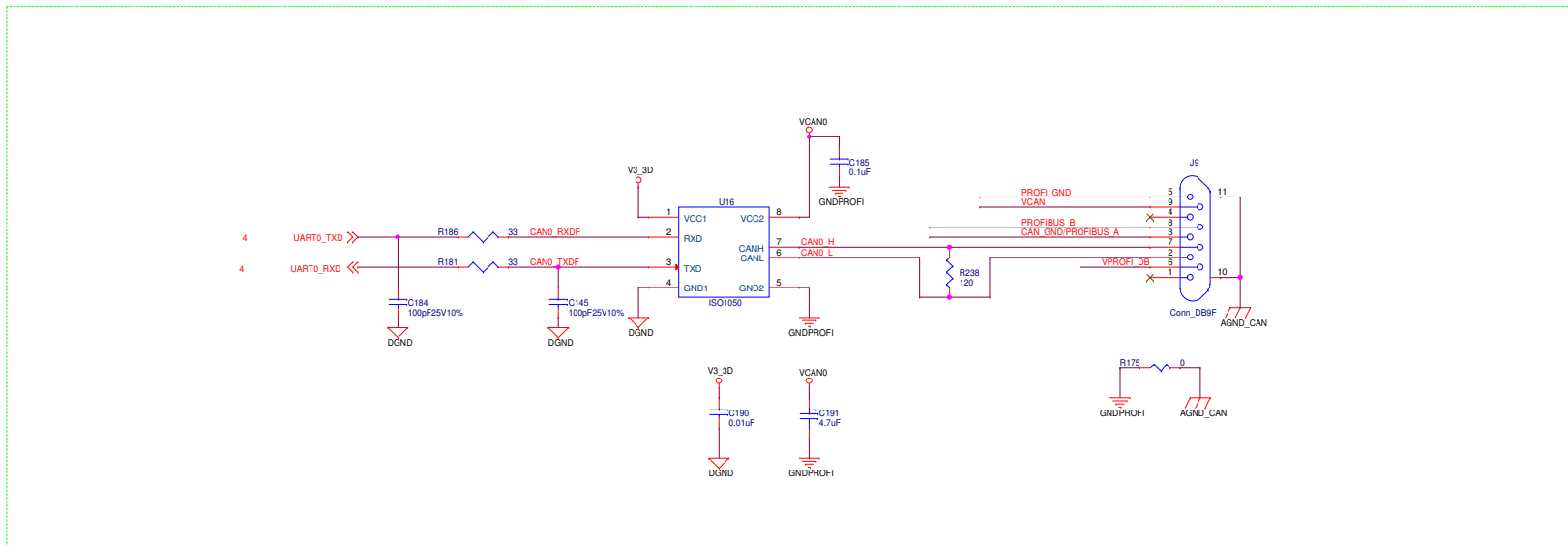
PROFIBUS



CAN / PROFIBUS SELECTION

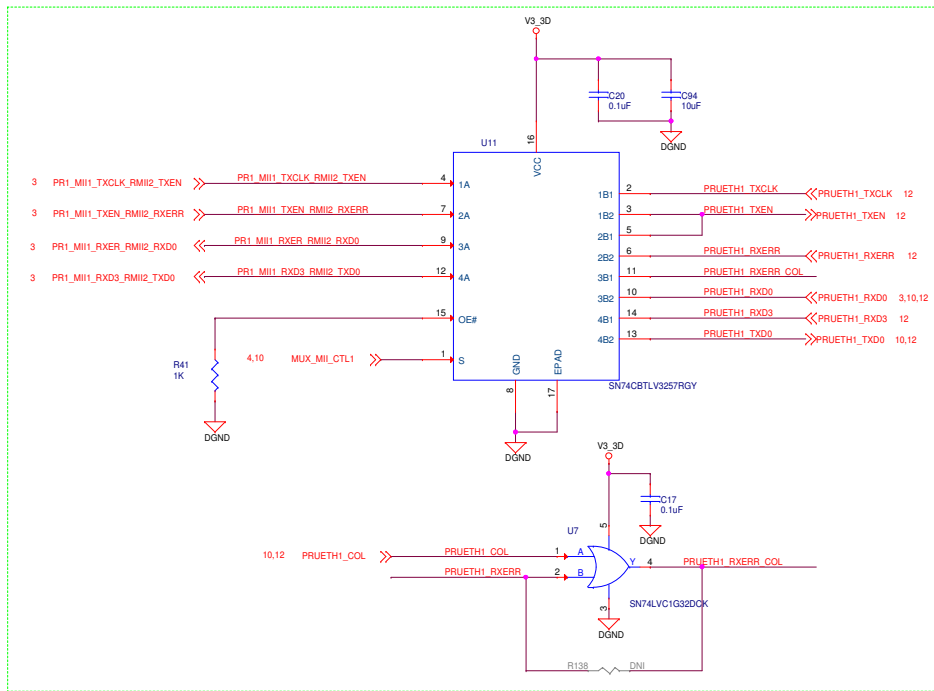


CAN PORT

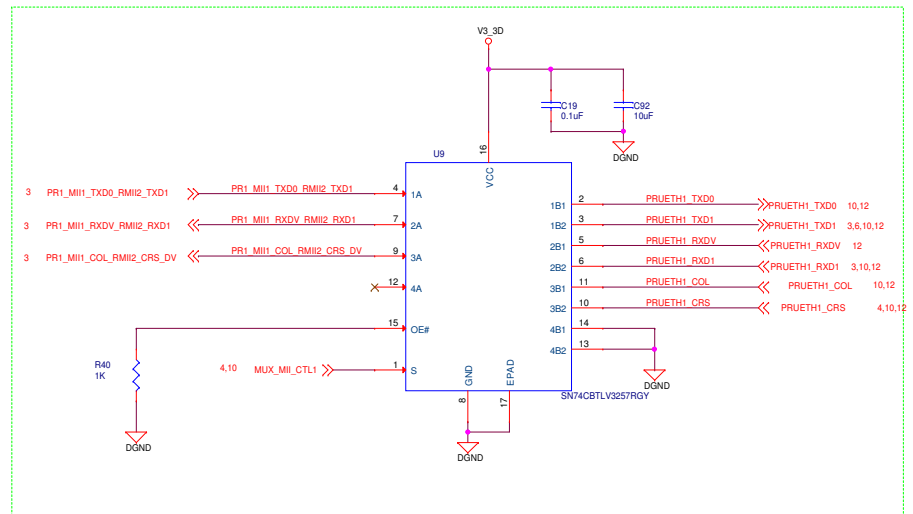


ARM MPU	Texas Instruments, Inc.			
	ARM MPU Business Unit 12500 TI Blvd Dallas, TX 75243			
	TMDXICE3359 CAN & PROFIBUS			
	Size	Document Number	Modified By:	Rev
C	AM335X_ICE_3H0013_2V1A.dsn	Rachna	2.1A	
Date:	Wednesday, April 17, 2013		Sheet: 9 of 15	

MI11_MUX1



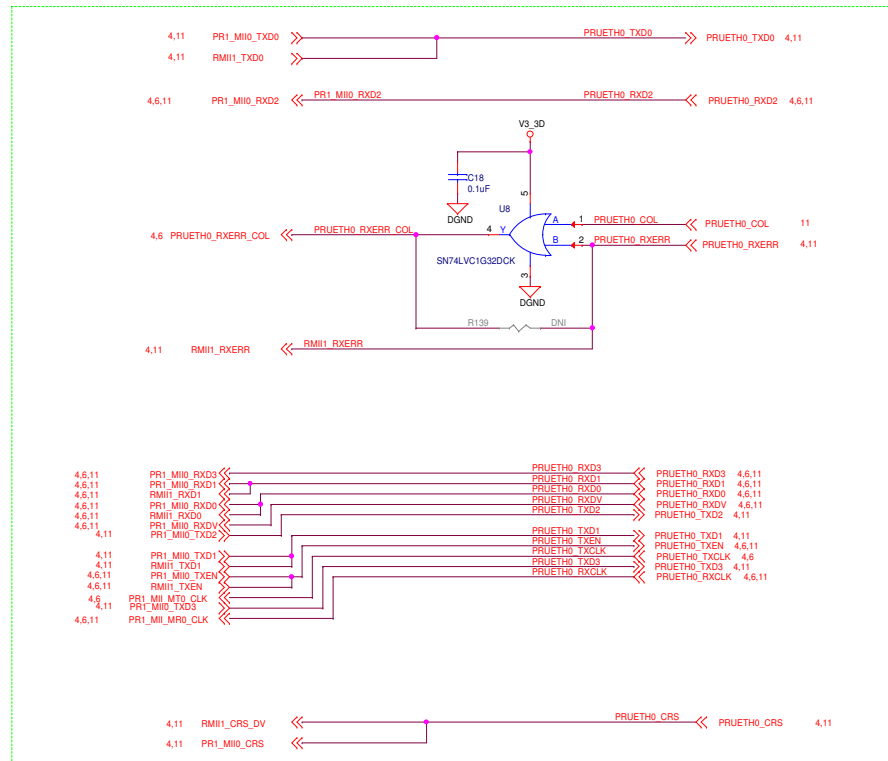
MI11_MUX2



MI11_MUX

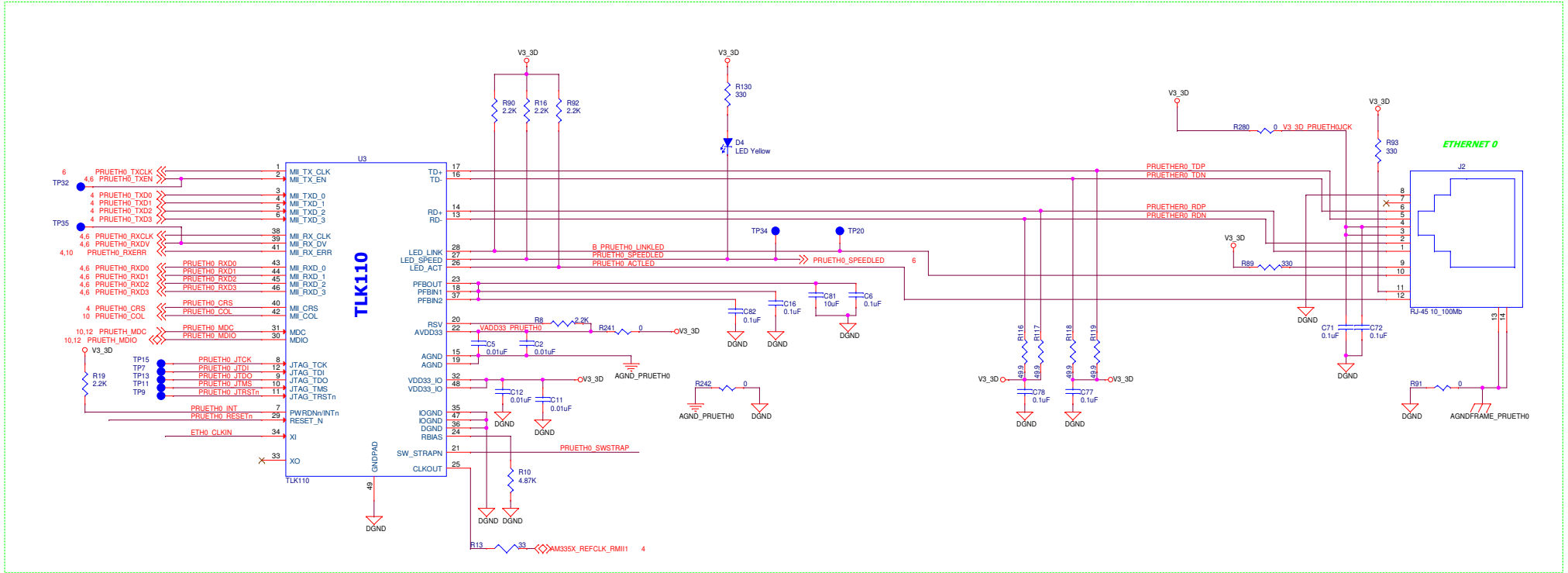


MI10_MUX

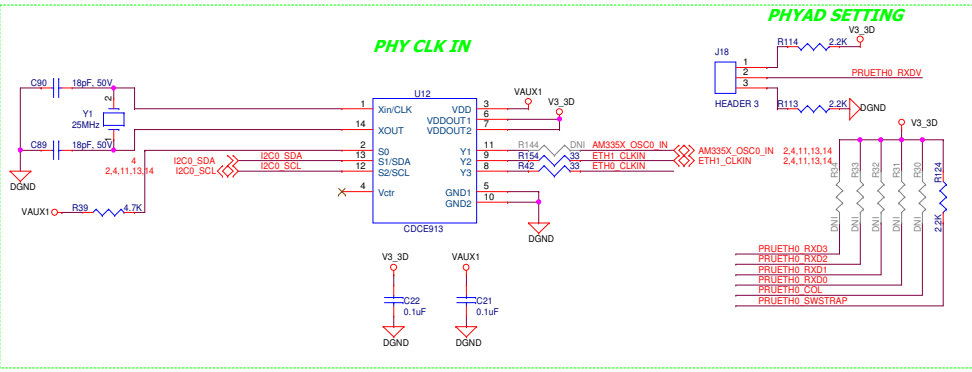


ARM MPU	Texas Instruments, Inc.		
	ARM MPU Business Unit 12500 TI Blvd Dallas, TX 75243		
	TMDXICE3359 PRU_CPSW_ETHERNET_MUX		
	Size C	Document Number AM335X_ICE_3H0013_2V1A.dsn	Modified By: Radha
Date: Wednesday, April 17, 2013		Sheet: 10	of 15

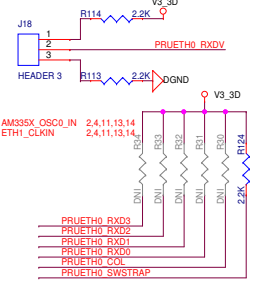
ETHERNET 0



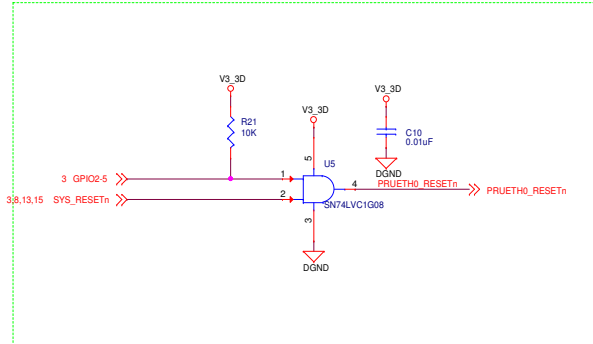
PHY CLK IN



PHYAD SETTING

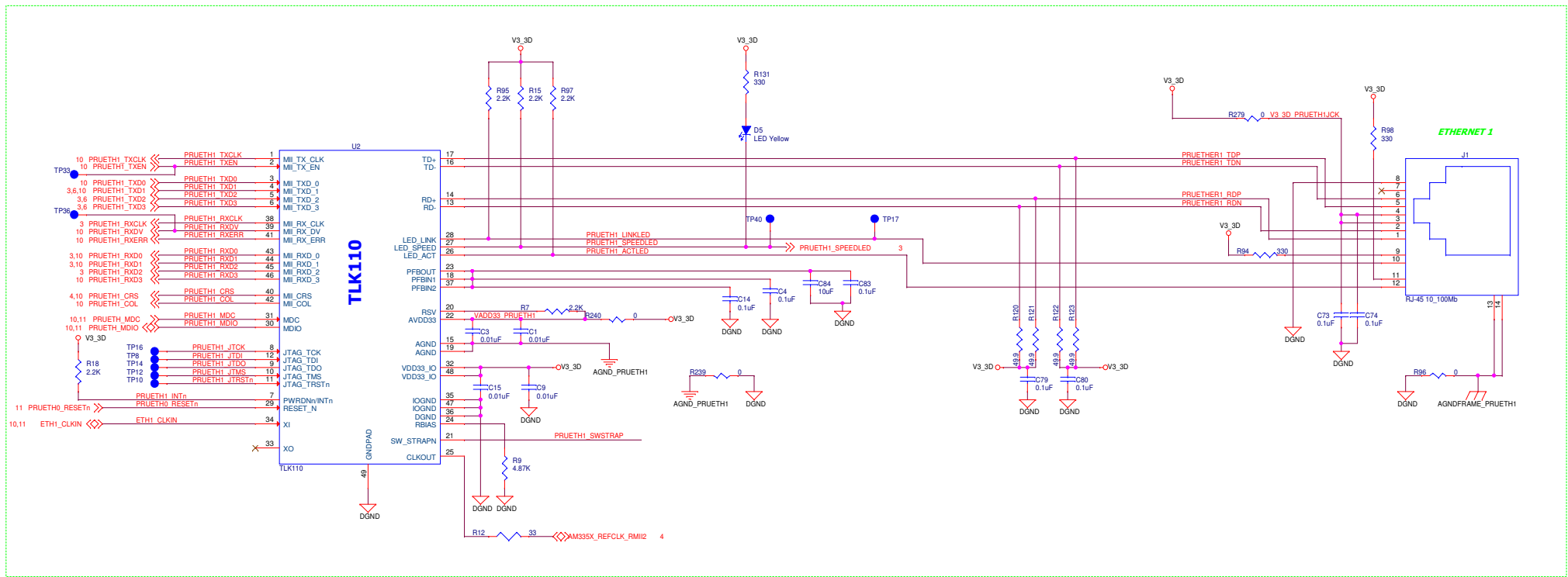


ETHERNET 0&1 RESET

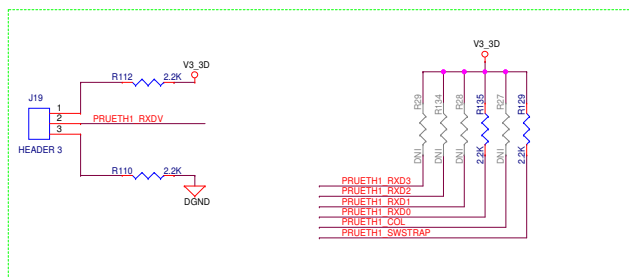


ARM MPU	Texas Instruments, Inc.		
	ARM MPU Business Unit 12500 TI Blvd Dallas, TX 75243		
TMDXICE3359			
Ethernet 0			
Size	Document Number	Modified By:	Rev
C	AM335X_ICE_3H0013_2V1A.dsn	Rachna	2.1A
Date:	Wednesday, April 17, 2013	Sheet: 11	of 15

ETHERNET 1

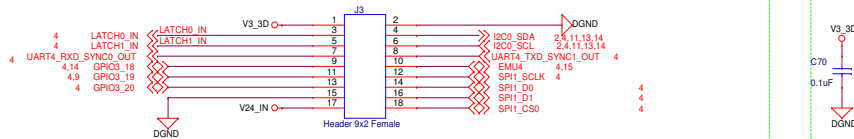
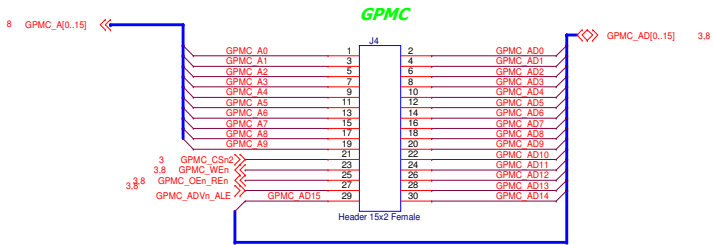


PHYAD SETTING

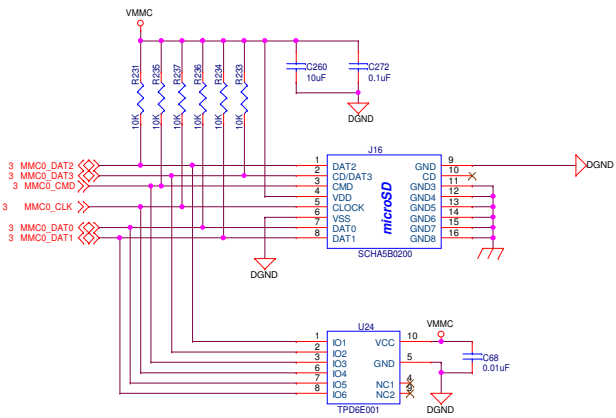


ARM MPU	Texas Instruments, Inc.		
	ARM MPU Business Unit 12500 TI Blvd Dallas, TX 75243		
TMDXICE3359		ETHERNET 1	
Size	Document Number	Modified By:	Rev
C	AM335X_ICE_3H0013_2V1A.dsn	Rachna	2.1A
Date:	Wednesday, April 17, 2013	Sheet: 12	of 15

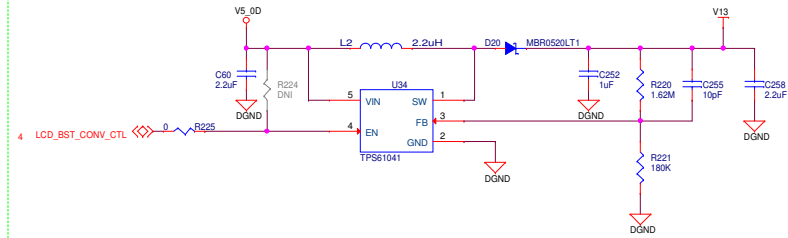
HOST EXPANSION HEADERS



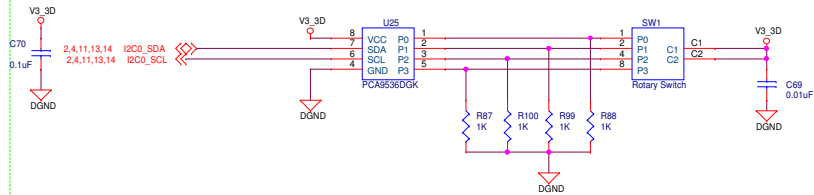
MICRO SD CARD SOCKET



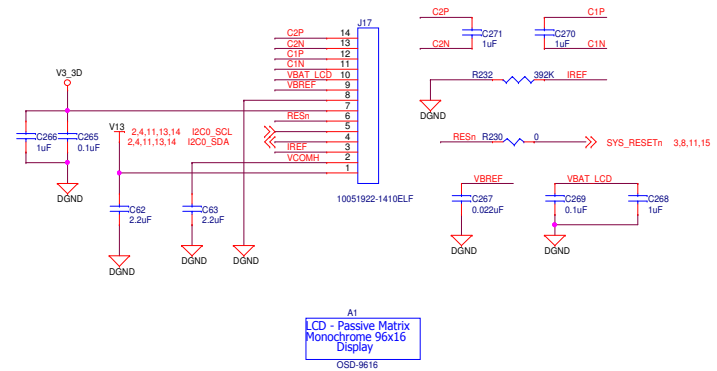
5V TO 13V BOOST CONVERTER



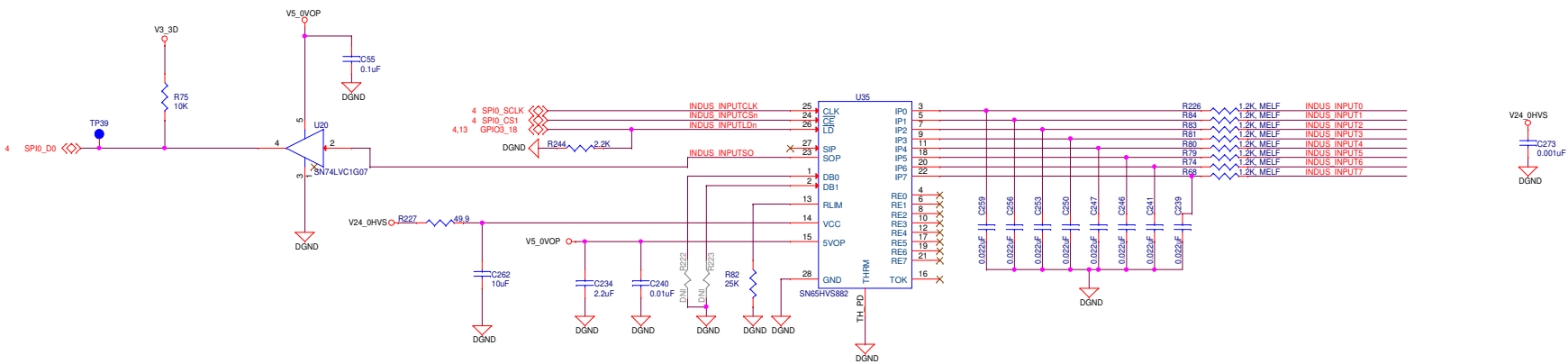
ROTARY SWITCH - INDUSTRIAL ETHERNET SLAVE ADDRESS SELECTOR



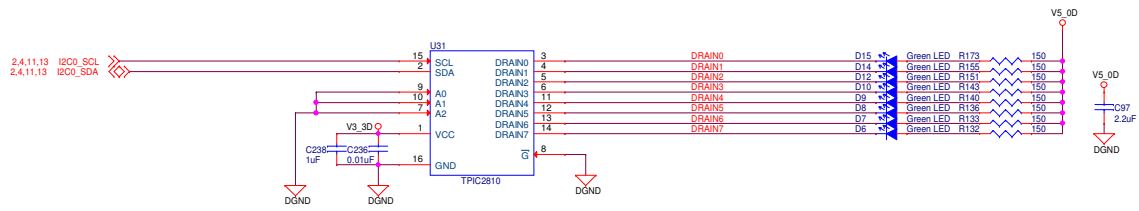
MONOCHROME LCD INTERFACE



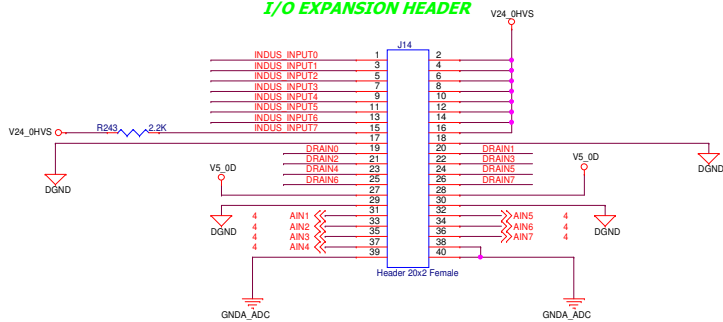
DIGITAL INPUTS



DIGITAL OUTPUTS

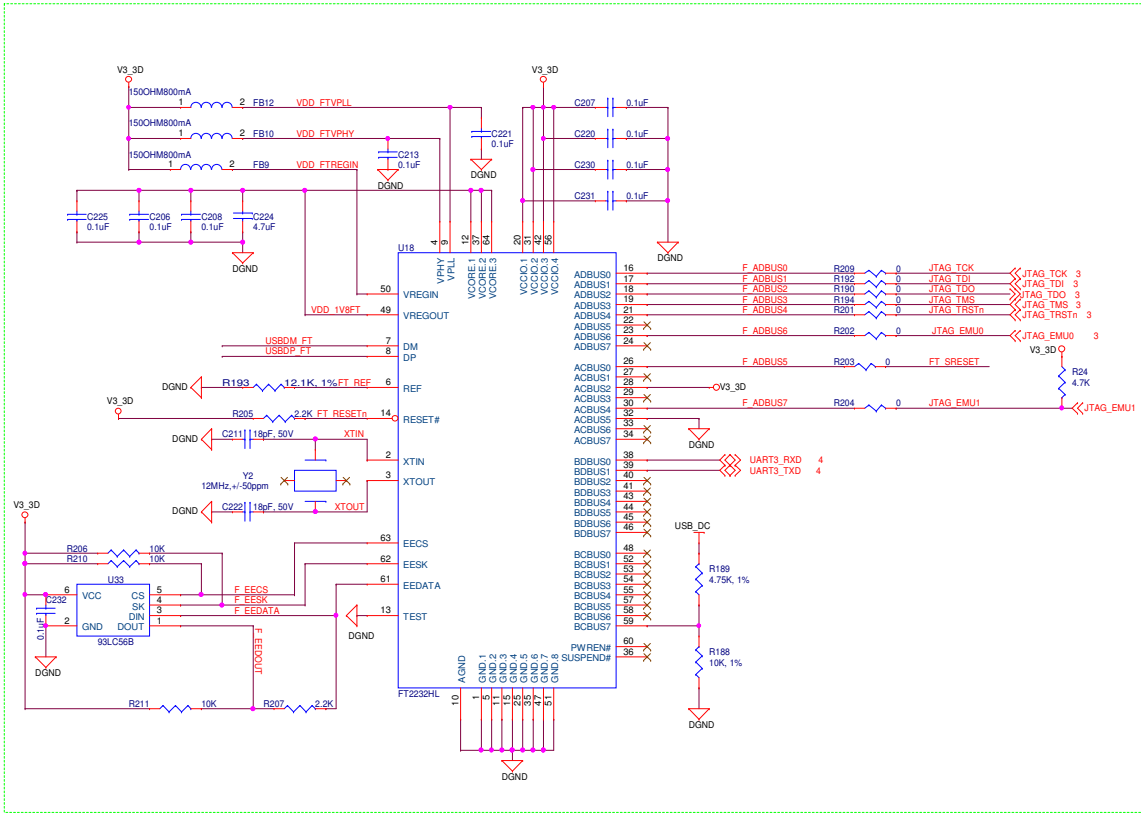


I/O EXPANSION HEADER

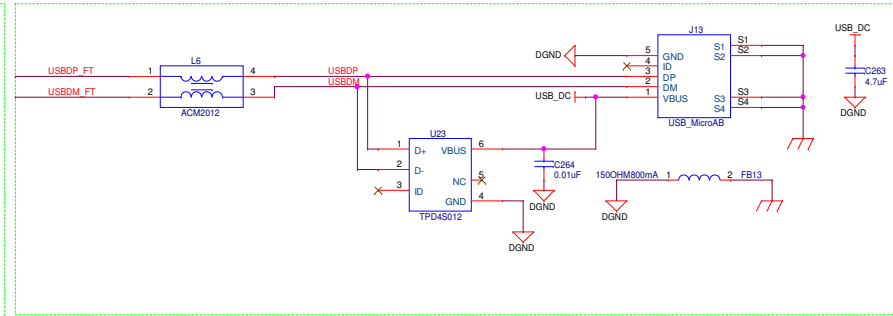


ARM MPU	Texas Instruments, Inc.		
	ARM MPU Business Unit 15200 TI Blvd Dallas, TX 75243		
	TMDXICE3359 Industrial Inputs/Outputs		
	Size: C Document Number: AM335X_JCE_3H0013_2V1A.dsn Date: Wednesday, April 17, 2013	Modified By: Radha Rev: 2.1A	Sheet: 14 of 15

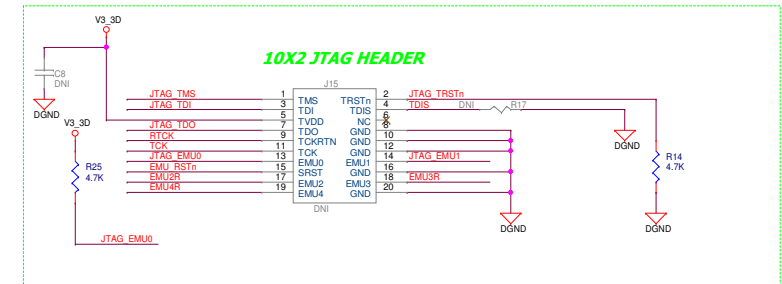
USB TO UART / JTAG



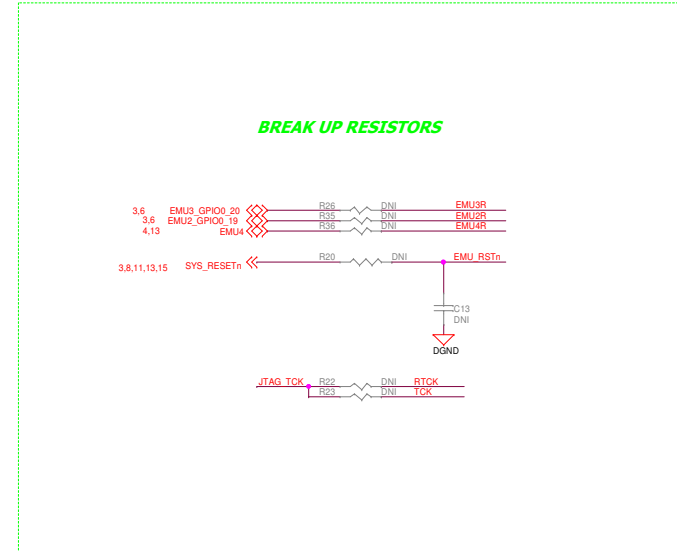
Micro USB-AB



10X2 JTAG HEADER



BREAK UP RESISTORS



IMPORTANT NOTICE FOR TI DESIGN INFORMATION AND RESOURCES

Texas Instruments Incorporated ("TI") technical, application or other design advice, services or information, including, but not limited to, reference designs and materials relating to evaluation modules, (collectively, "TI Resources") are intended to assist designers who are developing applications that incorporate TI products; by downloading, accessing or using any particular TI Resource in any way, you (individually or, if you are acting on behalf of a company, your company) agree to use it solely for this purpose and subject to the terms of this Notice.

TI's provision of TI Resources does not expand or otherwise alter TI's applicable published warranties or warranty disclaimers for TI products, and no additional obligations or liabilities arise from TI providing such TI Resources. TI reserves the right to make corrections, enhancements, improvements and other changes to its TI Resources.

You understand and agree that you remain responsible for using your independent analysis, evaluation and judgment in designing your applications and that you have full and exclusive responsibility to assure the safety of your applications and compliance of your applications (and of all TI products used in or for your applications) with all applicable regulations, laws and other applicable requirements. You represent that, with respect to your applications, you have all the necessary expertise to create and implement safeguards that (1) anticipate dangerous consequences of failures, (2) monitor failures and their consequences, and (3) lessen the likelihood of failures that might cause harm and take appropriate actions. You agree that prior to using or distributing any applications that include TI products, you will thoroughly test such applications and the functionality of such TI products as used in such applications. TI has not conducted any testing other than that specifically described in the published documentation for a particular TI Resource.

You are authorized to use, copy and modify any individual TI Resource only in connection with the development of applications that include the TI product(s) identified in such TI Resource. NO OTHER LICENSE, EXPRESS OR IMPLIED, BY ESTOPPEL OR OTHERWISE TO ANY OTHER TI INTELLECTUAL PROPERTY RIGHT, AND NO LICENSE TO ANY TECHNOLOGY OR INTELLECTUAL PROPERTY RIGHT OF TI OR ANY THIRD PARTY IS GRANTED HEREIN, including but not limited to any patent right, copyright, mask work right, or other intellectual property right relating to any combination, machine, or process in which TI products or services are used. Information regarding or referencing third-party products or services does not constitute a license to use such products or services, or a warranty or endorsement thereof. Use of TI Resources may require a license from a third party under the patents or other intellectual property of the third party, or a license from TI under the patents or other intellectual property of TI.

TI RESOURCES ARE PROVIDED "AS IS" AND WITH ALL FAULTS. TI DISCLAIMS ALL OTHER WARRANTIES OR REPRESENTATIONS, EXPRESS OR IMPLIED, REGARDING TI RESOURCES OR USE THEREOF, INCLUDING BUT NOT LIMITED TO ACCURACY OR COMPLETENESS, TITLE, ANY EPIDEMIC FAILURE WARRANTY AND ANY IMPLIED WARRANTIES OF MERCHANTABILITY, FITNESS FOR A PARTICULAR PURPOSE, AND NON-INFRINGEMENT OF ANY THIRD PARTY INTELLECTUAL PROPERTY RIGHTS.

TI SHALL NOT BE LIABLE FOR AND SHALL NOT DEFEND OR INDEMNIFY YOU AGAINST ANY CLAIM, INCLUDING BUT NOT LIMITED TO ANY INFRINGEMENT CLAIM THAT RELATES TO OR IS BASED ON ANY COMBINATION OF PRODUCTS EVEN IF DESCRIBED IN TI RESOURCES OR OTHERWISE. IN NO EVENT SHALL TI BE LIABLE FOR ANY ACTUAL, DIRECT, SPECIAL, COLLATERAL, INDIRECT, PUNITIVE, INCIDENTAL, CONSEQUENTIAL OR EXEMPLARY DAMAGES IN CONNECTION WITH OR ARISING OUT OF TI RESOURCES OR USE THEREOF, AND REGARDLESS OF WHETHER TI HAS BEEN ADVISED OF THE POSSIBILITY OF SUCH DAMAGES.

You agree to fully indemnify TI and its representatives against any damages, costs, losses, and/or liabilities arising out of your non-compliance with the terms and provisions of this Notice.

This Notice applies to TI Resources. Additional terms apply to the use and purchase of certain types of materials, TI products and services. These include; without limitation, TI's standard terms for semiconductor products (<http://www.ti.com/sc/docs/stdterms.htm>), [evaluation modules](#), and [samples](http://www.ti.com/sc/docs/sampterm.htm) (<http://www.ti.com/sc/docs/sampterm.htm>).

Mailing Address: Texas Instruments, Post Office Box 655303, Dallas, Texas 75265
Copyright © 2017, Texas Instruments Incorporated