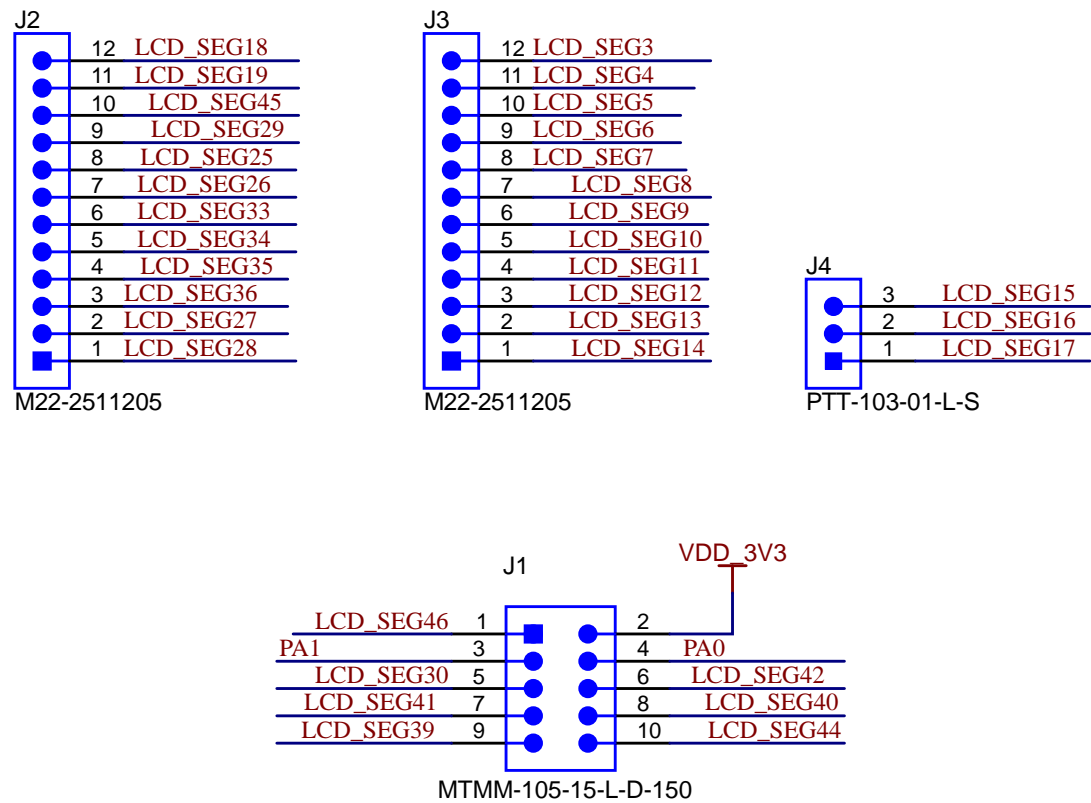


# LCD Pins from TIDA-010940 Board

34 Pins for LCD (27+7)



# LCD VIM-878-DP

DS2	
LCD_SEG28	1
LCD_SEG36	2
LCD_SEG27	36
LCD_SEG35	35
LCD_SEG34	3
LCD_SEG26	4
LCD_SEG33	34
LCD_SEG25	33
LCD_SEG29	5
LCD_SEG19	6
LCD_SEG45	32
LCD_SEG18	31
LCD_SEG17	7
LCD_SEG15	8
LCD_SEG16	30
LCD_SEG14	29
LCD_SEG13	9
LCD_SEG11	10
LCD_SEG12	28
LCD_SEG10	27
LCD_SEG9	11
LCD_SEG39	12
LCD_SEG8	26
LCD_SEG7	25
LCD_SEG41	13
LCD_SEG30	14
LCD_SEG6	24
LCD_SEG5	23
LCD_SEG46	15
LCD_SEG44	16
	22
	21
LCD_SEG40	17
LCD_SEG42	18
LCD_SEG3	19
LCD_SEG4	20

VIM-878-DP-RC-S-LV

# MSPM0L22xx LPAD LCD

DS1	
LCD_SEG25	27
LCD_SEG45	26
LCD_SEG33	28
LCD_SEG18	25
LCD_SEG19	2
LCD_SEG17	3
LCD_SEG29	1
LCD_SEG15	4
LCD_SEG11	6
LCD_SEG9	7
LCD_SEG13	5
LCD_SEG39	8
LCD_SEG30	10
LCD_SEG16	24
LCD_SEG41	9
LCD_SEG14	23
LCD_SEG10	21
LCD_SEG8	20
LCD_SEG12	22
LCD_SEG7	19
LCD_SEG5	17
LCD_SEG4	16
LCD_SEG6	18
LCD_SEG3	15
LCD_SEG46	11
LCD_SEG44	12
LCD_SEG40	13
LCD_SEG42	14

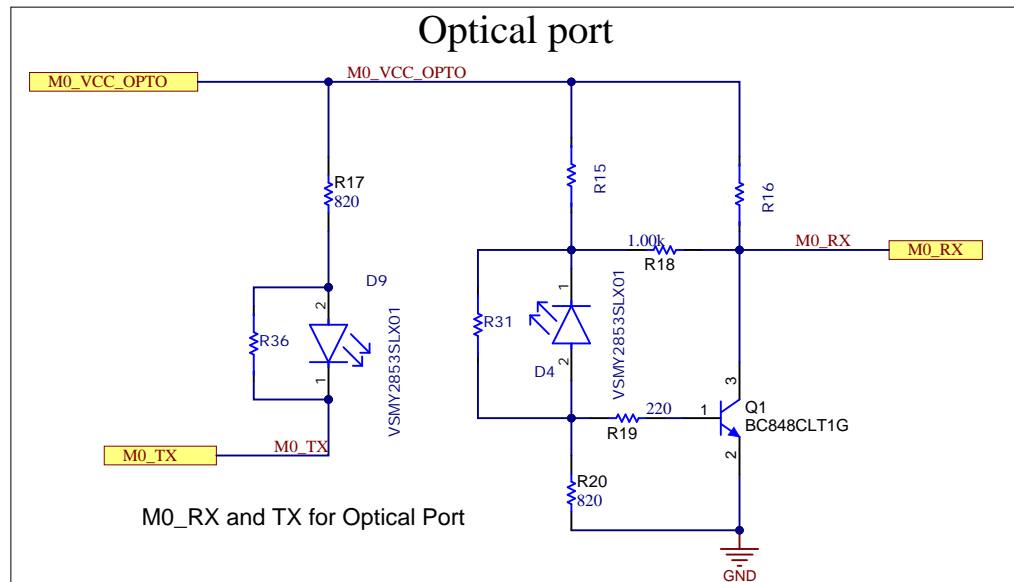
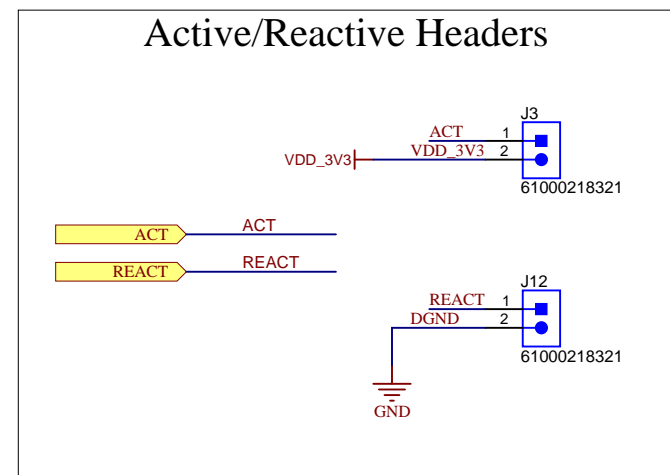
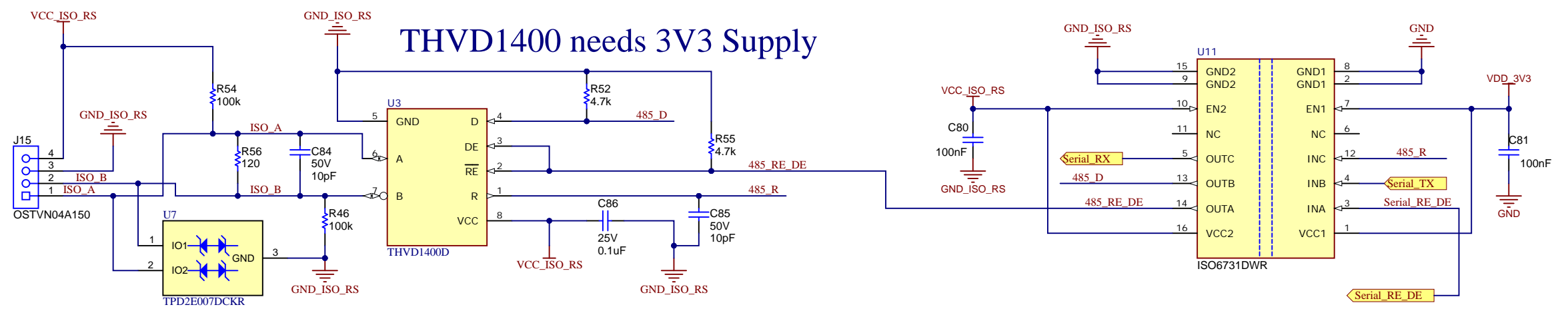
GDH-1638WP

Texas Instruments and/or its licensors do not warrant the accuracy or completeness of this specification or any information contained therein. Texas Instruments and/or its licensors do not warrant that this design will meet the specifications, will be suitable for your application or fit for any particular purpose, or will operate in an implementation. Texas Instruments and/or its licensors do not warrant that the design is production worthy. You should completely validate and test your design implementation to confirm the system functionality for your application.

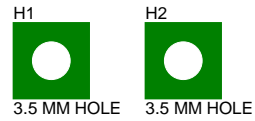
Orderable: <a href="#">ChangeMe in variant</a>	Designed for: <a href="#">Public Release</a>	Mod. Date: 1/31/2025
TID #: N/A	Project Title: <a href="#">Change in menu Project</a>   <a href="#">Project Options</a>   <a href="#">Parameters</a>	
Number: <a href="#">TIDA-010940_LRDAddOn</a>	Sheet Title:	
SVN Rev: Not in version control	Assembly Variant: 001	Sheet: of
Drawn By:	File: <a href="#">TIDA-010940E4_LCDAddOn.SchDoc</a>	Size: A4
Engineer: <a href="#">Gavin Loera</a>	Contact: <a href="http://www.ti.com/support">http://www.ti.com/support</a>	



RS-485



Texas Instruments and/or its licensors do not warrant the accuracy or completeness of this specification or any information contained therein. Texas Instruments and/or its licensors do not warrant that this design will meet the specifications, will be suitable for your application or fit for any particular purpose, or will operate in an implementation. Texas Instruments and/or its licensors do not warrant that the design is production worthy. You should completely validate and test your design implementation to confirm the system functionality for your application.



PCB Number: TIDA-010940  
PCB Rev: E3



PCB LOGO  
FCC disclaimer

PCB LOGO  
WEEE logo

Variant/Label Table	
Variant	Label Text
001	ChangeMe!
002	ChangeMe!

LBL1  
PCB Label  
THT-14-423-10  
Size: 0.65" x 0.20 "

ZZ1  
Label Assembly Note  
This Assembly Note is for PCB labels only

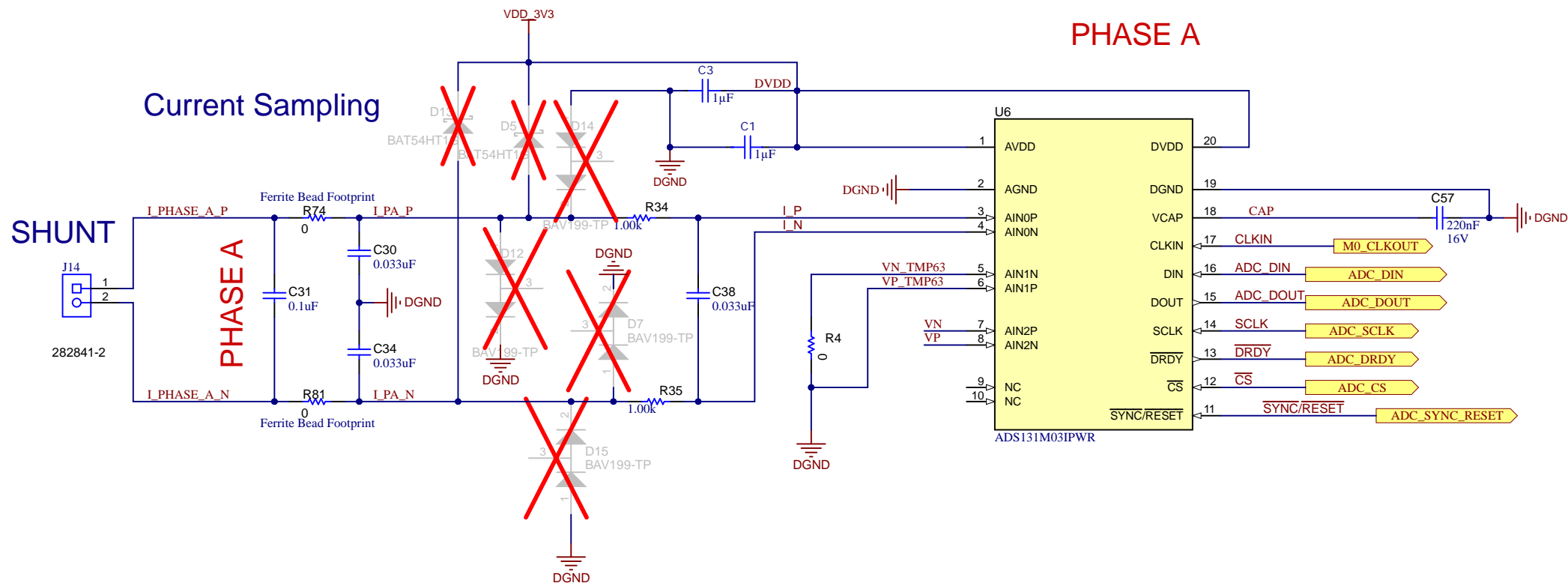
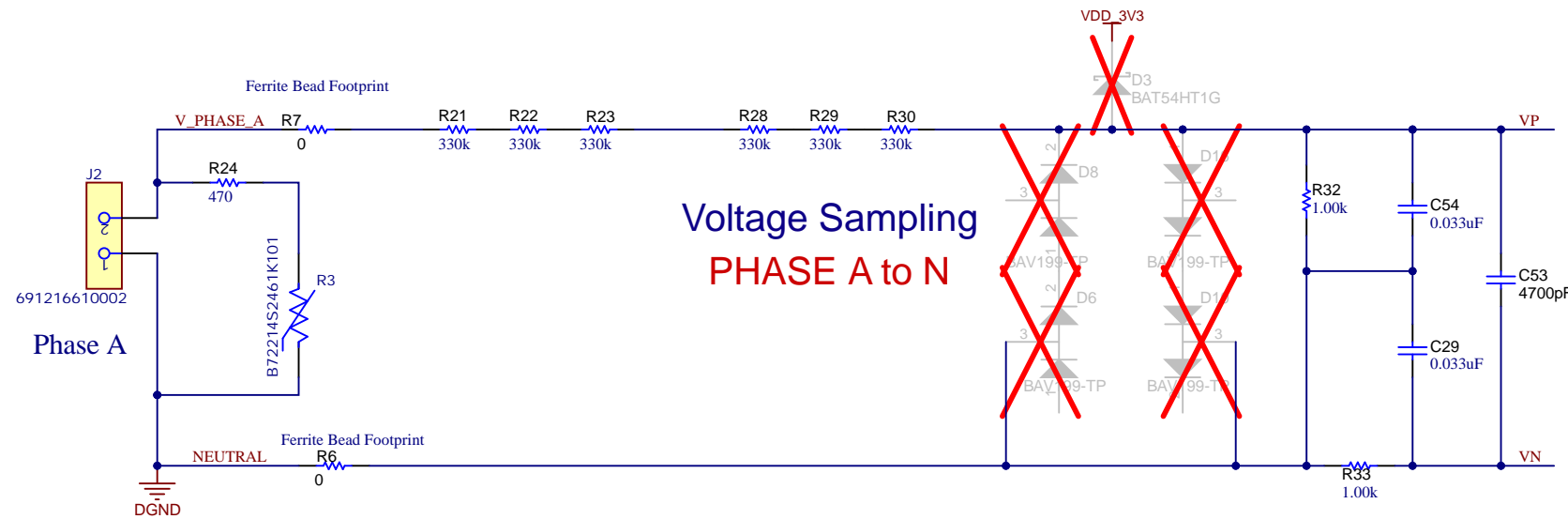
ZZ2  
Assembly Note  
These assemblies are ESD sensitive, ESD precautions shall be observed.

ZZ3  
Assembly Note  
These assemblies must be clean and free from flux and all contaminants. Use of no clean flux is not acceptable.

ZZ4  
Assembly Note  
These assemblies must comply with workmanship standards IPC-A-610 Class 2, unless otherwise specified.

Orderable: <a href="#">ChangeMe in variant</a>	Designed for: <a href="#">Public Release</a>	Mod. Date: 10/9/2024
TID #: N/A	Project Title: <a href="#">Change in menu Project Project Options Parameter</a>	
Number: <a href="#">TIDA-010940</a>   Rev: <a href="#">E2</a>	Sheet Title:	
SVN Rev: Not in version control	Assembly Variant: <a href="#">001</a>	Sheet: <a href="#">3</a> of <a href="#">5</a>
Drawn By:	File: <a href="#">TIDA-010940E4-Hardware_SchDoc</a>	Size: B
Engineer: <a href="#">MGS</a>	Contact: <a href="#">http://www.ti.com/support</a>	

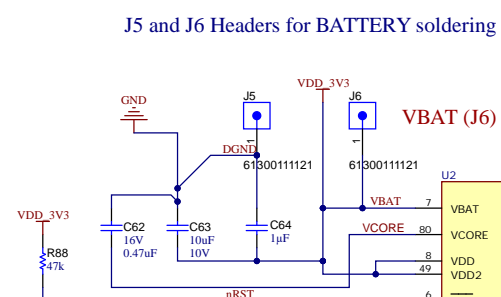
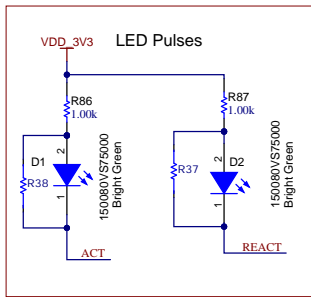
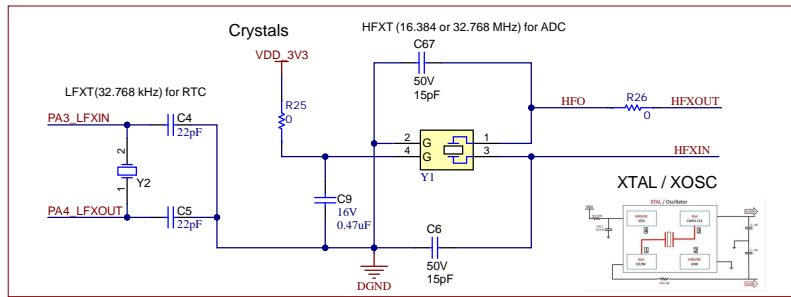
Texas Instruments and/or its licensors do not warrant the accuracy or completeness of this specification or any information contained therein. Texas Instruments and/or its licensors do not warrant that this design will meet the specifications, will be suitable for your application or fit for any particular purpose, or will operate in an implementation. Texas Instruments and/or its licensors do not warrant that the design is production worthy. You should completely validate and test your design implementation to confirm the system functionality for your application.



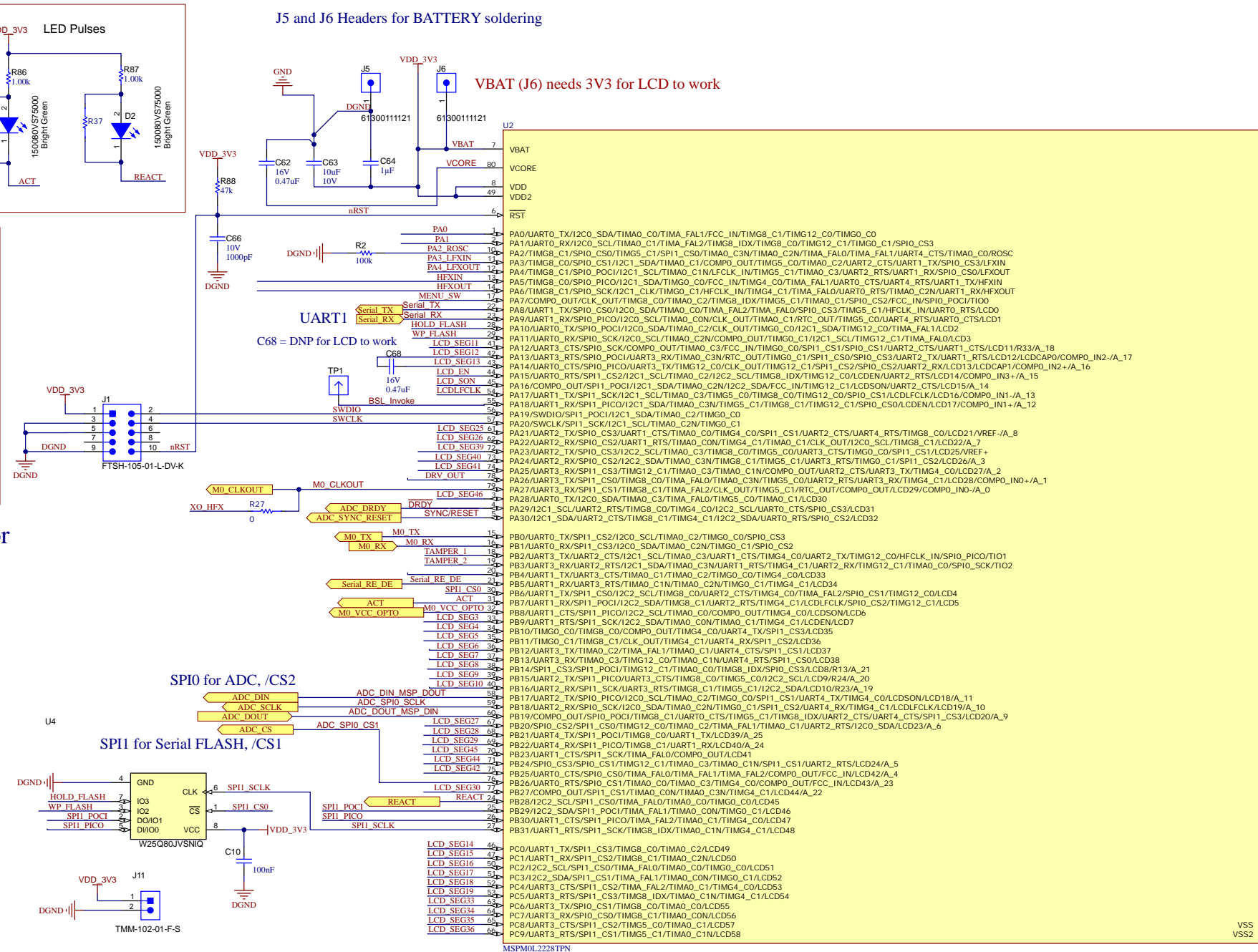
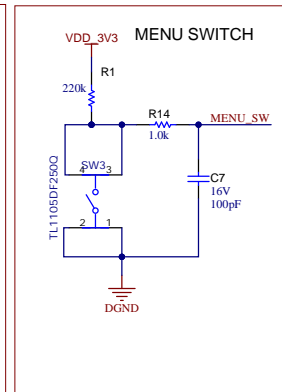
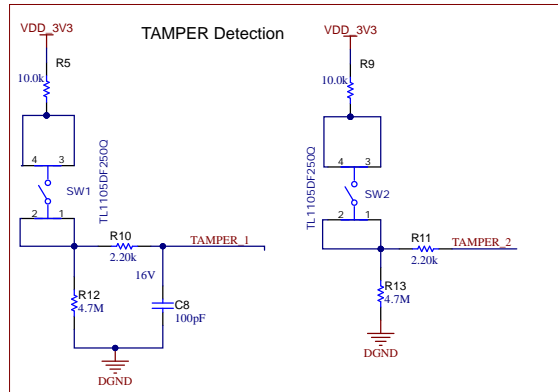
Orderable: <a href="#">ChangeMe in variant</a>	Designed for: <a href="#">Public Release</a>	Mod. Date: 9/23/2024	 TEXAS INSTRUMENTS
TID #: N/A	Project Title: <a href="#">Change in menu Project</a>   <a href="#">Project Options</a>   <a href="#">Parameter</a>		
Number: <a href="#">TIDA-010940</a>   Rev: <a href="#">E2</a>	Sheet Title:		
SVN Rev: Not in version control	Assembly Variant: <a href="#">001</a>	Sheet: <a href="#">4</a> of <a href="#">5</a>	
Drawn By:	File: <a href="#">TIDA-010940E3-1P_ADS131M03.SchDoc</a>	Size: <a href="#">B</a>	
Engineer: <a href="#">MGS</a>	Contact: <a href="#">http://www.ti.com/support</a>		<a href="#">http://www.ti.com</a> © Texas Instruments 2024

Texas Instruments and/or its licensors do not warrant the accuracy or completeness of this specification or any information contained therein. Texas Instruments and/or its licensors do not warrant that this design will meet the specifications, will be suitable for your application or fit for any particular purpose, or will operate in an implementation. Texas Instruments and/or its licensors do not warrant that the design is production worthy. You should completely validate and test your design implementation to confirm the system functionality for your application.

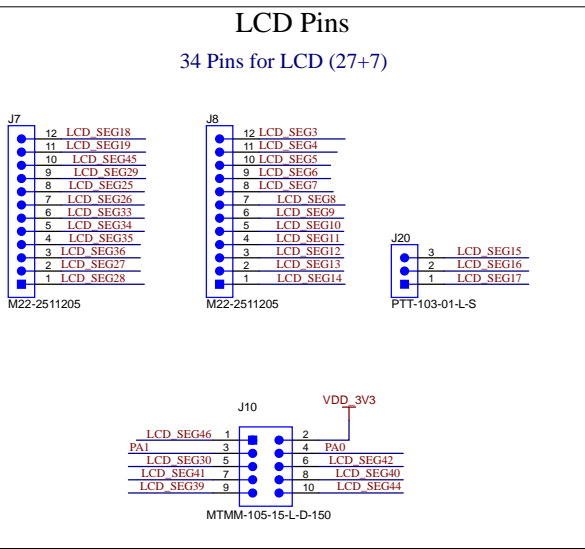
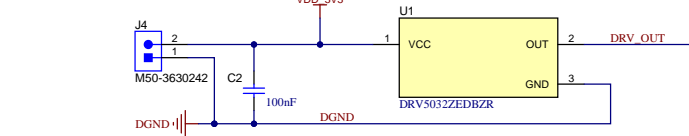
LMK6CE008192CDLFR BAW or XTAL:  
BAW:R25, C9 XTAL: C6, C67



VBAT (J6) needs 3V3 for LCD to work



EXT Power Header 3.3V ULP Digital-Switch Hall Effect Sensor



## IMPORTANT NOTICE AND DISCLAIMER

TI PROVIDES TECHNICAL AND RELIABILITY DATA (INCLUDING DATA SHEETS), DESIGN RESOURCES (INCLUDING REFERENCE DESIGNS), APPLICATION OR OTHER DESIGN ADVICE, WEB TOOLS, SAFETY INFORMATION, AND OTHER RESOURCES "AS IS" AND WITH ALL FAULTS, AND DISCLAIMS ALL WARRANTIES, EXPRESS AND IMPLIED, INCLUDING WITHOUT LIMITATION ANY IMPLIED WARRANTIES OF MERCHANTABILITY, FITNESS FOR A PARTICULAR PURPOSE OR NON-INFRINGEMENT OF THIRD PARTY INTELLECTUAL PROPERTY RIGHTS.

These resources are intended for skilled developers designing with TI products. You are solely responsible for (1) selecting the appropriate TI products for your application, (2) designing, validating and testing your application, and (3) ensuring your application meets applicable standards, and any other safety, security, regulatory or other requirements.

These resources are subject to change without notice. TI grants you permission to use these resources only for development of an application that uses the TI products described in the resource. Other reproduction and display of these resources is prohibited. No license is granted to any other TI intellectual property right or to any third party intellectual property right. TI disclaims responsibility for, and you will fully indemnify TI and its representatives against, any claims, damages, costs, losses, and liabilities arising out of your use of these resources.

TI's products are provided subject to [TI's Terms of Sale](#) or other applicable terms available either on [ti.com](#) or provided in conjunction with such TI products. TI's provision of these resources does not expand or otherwise alter TI's applicable warranties or warranty disclaimers for TI products.

TI objects to and rejects any additional or different terms you may have proposed.

Mailing Address: Texas Instruments, Post Office Box 655303, Dallas, Texas 75265

Copyright © 2025, Texas Instruments Incorporated

DRAFT  
TI Confidential – NDA Restrictions

## IMPORTANT NOTICE AND DISCLAIMER

TI PROVIDES TECHNICAL AND RELIABILITY DATA (INCLUDING DATA SHEETS), DESIGN RESOURCES (INCLUDING REFERENCE DESIGNS), APPLICATION OR OTHER DESIGN ADVICE, WEB TOOLS, SAFETY INFORMATION, AND OTHER RESOURCES "AS IS" AND WITH ALL FAULTS, AND DISCLAIMS ALL WARRANTIES, EXPRESS AND IMPLIED, INCLUDING WITHOUT LIMITATION ANY IMPLIED WARRANTIES OF MERCHANTABILITY, FITNESS FOR A PARTICULAR PURPOSE OR NON-INFRINGEMENT OF THIRD PARTY INTELLECTUAL PROPERTY RIGHTS.

These resources are intended for skilled developers designing with TI products. You are solely responsible for (1) selecting the appropriate TI products for your application, (2) designing, validating and testing your application, and (3) ensuring your application meets applicable standards, and any other safety, security, regulatory or other requirements.

These resources are subject to change without notice. TI grants you permission to use these resources only for development of an application that uses the TI products described in the resource. Other reproduction and display of these resources is prohibited. No license is granted to any other TI intellectual property right or to any third party intellectual property right. TI disclaims responsibility for, and you will fully indemnify TI and its representatives against, any claims, damages, costs, losses, and liabilities arising out of your use of these resources.

TI's products are provided subject to [TI's Terms of Sale](#) or other applicable terms available either on [ti.com](https://www.ti.com) or provided in conjunction with such TI products. TI's provision of these resources does not expand or otherwise alter TI's applicable warranties or warranty disclaimers for TI products.

TI objects to and rejects any additional or different terms you may have proposed.

Mailing Address: Texas Instruments, Post Office Box 655303, Dallas, Texas 75265  
Copyright © 2025, Texas Instruments Incorporated