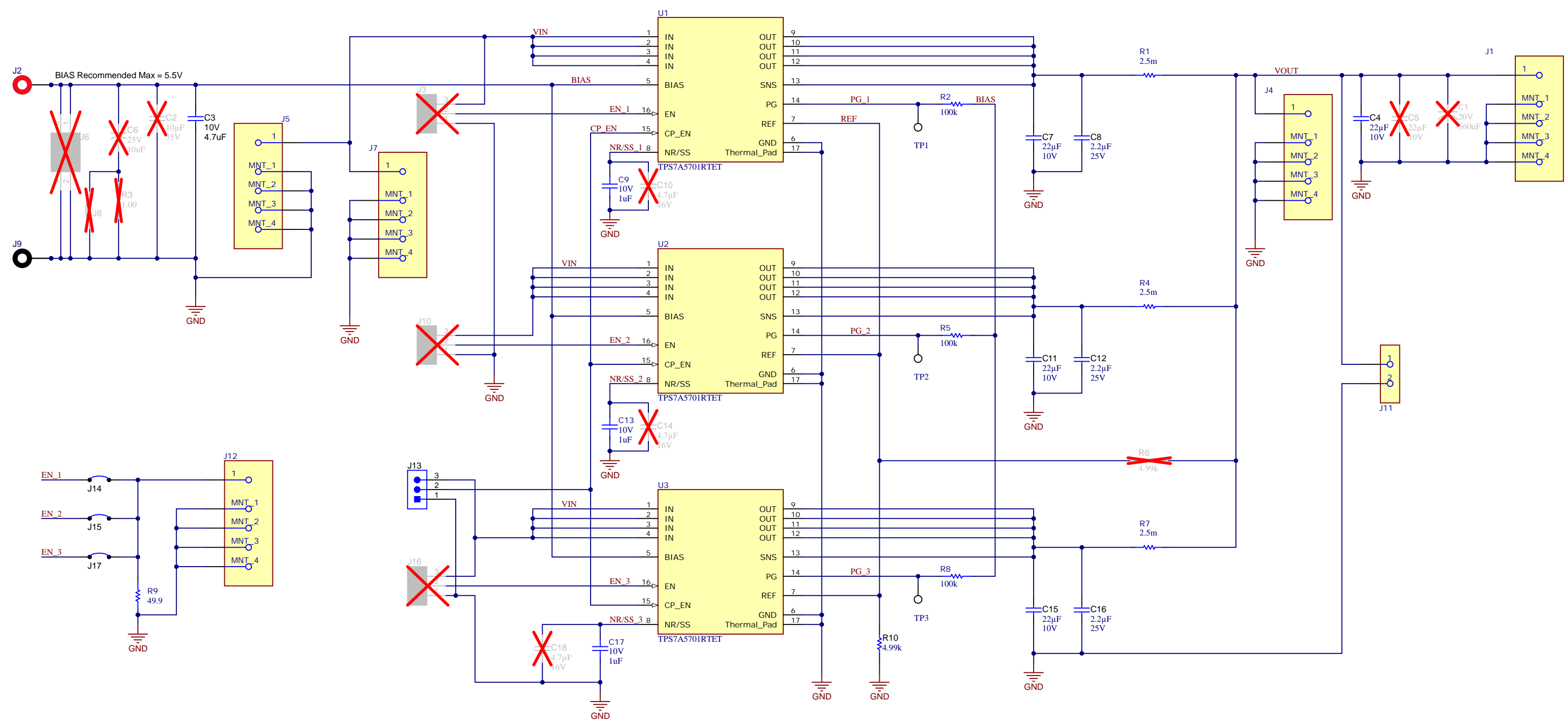


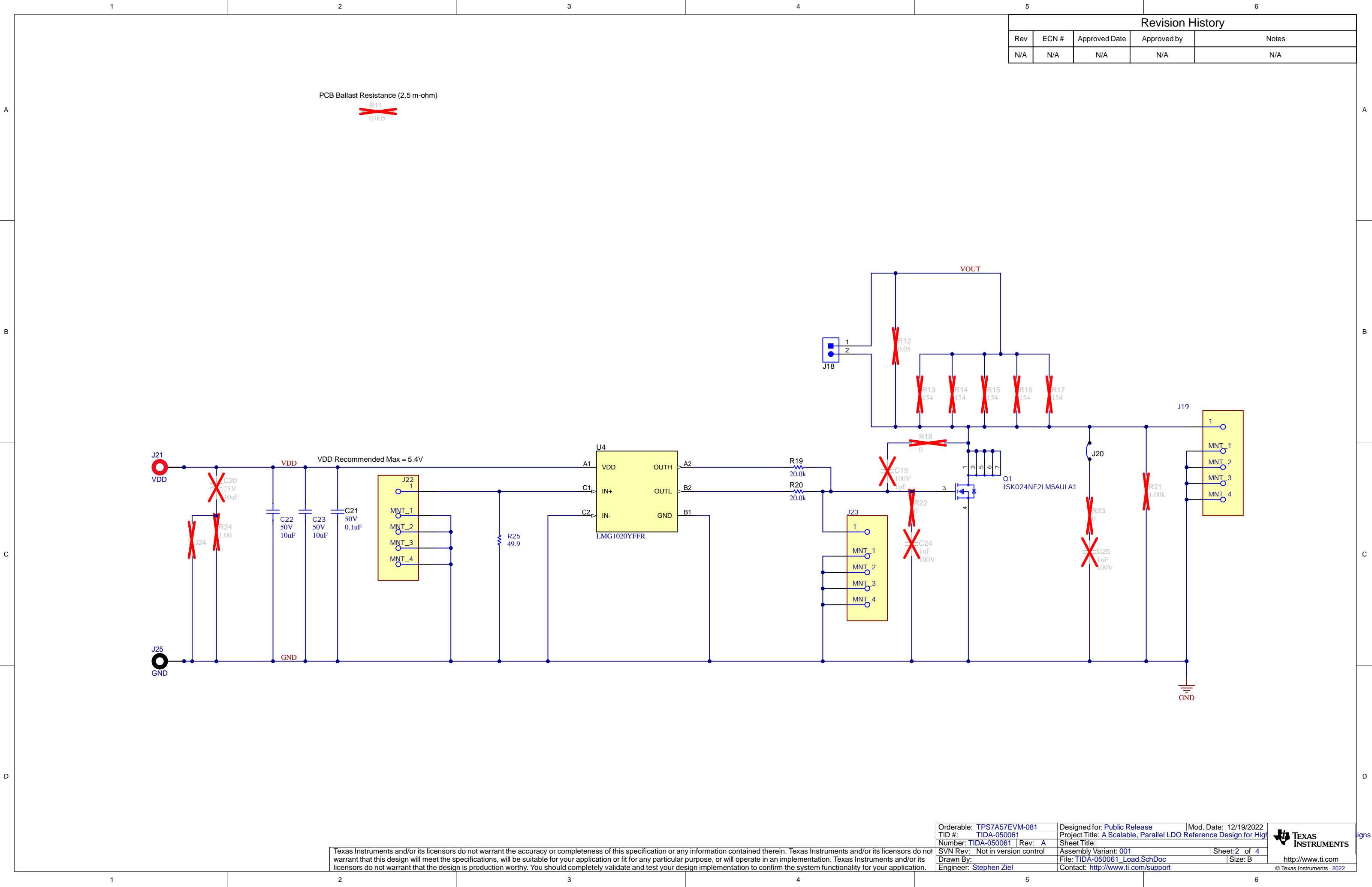
Revision History				
Rev	ECN #	Approved Date	Approved by	Notes
N/A	N/A	N/A	N/A	N/A



Texas Instruments and/or its licensors do not warrant the accuracy or completeness of this specification or any information contained therein. Texas Instruments and/or its licensors do not warrant that this design will meet the specifications, will be suitable for your application or fit for any particular purpose, or will operate in an implementation. Texas Instruments and/or its licensors do not warrant that the design is production worthy. You should completely validate and test your design implementation to confirm the system functionality for your application.

Orderable: TPS7A57EVM-081	Designed for: Public Release	Mod. Date: 12/21/2022	 <a href="http://www.ti.com">http://www.ti.com</a> © Texas Instruments 2022
TID #: TIDA-050061	Project Title: A Scalable, Parallel LDO Reference Design for High	Sheet Title:	
Number: TIDA-050061   Rev: A	Assembly Variant: 001	Sheet: 1 of 4	
SVN Rev: Not in version control	File: TIDA-050061_LDO.SchDoc	Size: B	
Drawn By:	Contact: <a href="http://www.ti.com/support">http://www.ti.com/support</a>		

Revision History				
Rev	ECN #	Approved Date	Approved by	Notes
N/A	N/A	N/A	N/A	N/A



Texas Instruments and/or its licensors do not warrant the accuracy or completeness of this specification or any information contained therein. Texas Instruments and/or its licensors do not warrant that this design will meet the specifications, will be suitable for your application or fit for any particular purpose, or will operate in an implementation. Texas Instruments and/or its licensors do not warrant that the design is production worthy. You should completely validate and test your design implementation to confirm the system functionality for your application.

Orderable: TPS7A57EVM-081	Designed for: Public Release	Mod. Date: 12/19/2022	 <a href="http://www.ti.com">http://www.ti.com</a> © Texas Instruments 2022
TID #: TIDA-050061	Project Title: A Scalable, Parallel LDO Reference Design for High	Sheet: 2 of 4	
Number: TIDA-050061   Rev: A	Assembly Variant: 001	Size: B	
SVN Rev: Not in version control	File: TIDA-050061_Load_SchDoc	Contact: <a href="http://www.ti.com/support">http://www.ti.com/support</a>	
Drawn By:	Engineer: Stephen Ziel		

Revision History				
Rev	ECN #	Approved Date	Approved by	Notes
N/A	N/A	N/A	N/A	N/A

A

A

B

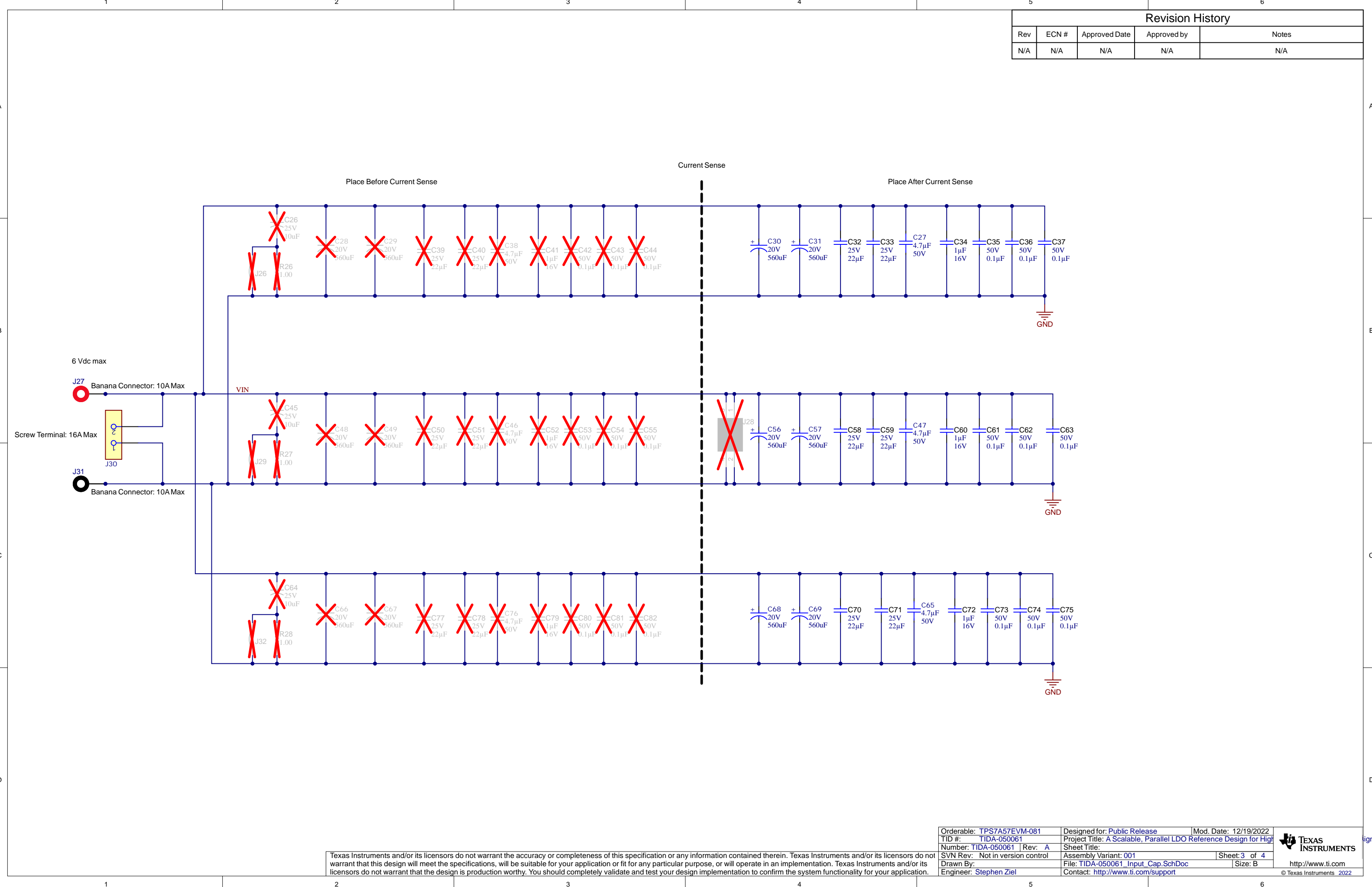
B

C

C

D

D

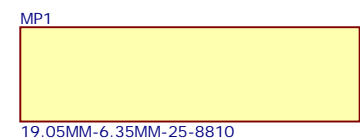


Texas Instruments and/or its licensors do not warrant the accuracy or completeness of this specification or any information contained therein. Texas Instruments and/or its licensors do not warrant that this design will meet the specifications, will be suitable for your application or fit for any particular purpose, or will operate in an implementation. Texas Instruments and/or its licensors do not warrant that the design is production worthy. You should completely validate and test your design implementation to confirm the system functionality for your application.

Orderable: <a href="#">TPS7A57EVM-081</a>	Designed for: <a href="#">Public Release</a>	Mod. Date: <a href="#">12/19/2022</a>	 <a href="http://www.ti.com">http://www.ti.com</a> © Texas Instruments 2022
TID #: <a href="#">TIDA-050061</a>	Project Title: <a href="#">A Scalable, Parallel LDO Reference Design for High</a>		
Number: <a href="#">TIDA-050061</a>	Rev: <a href="#">A</a>	Sheet: <a href="#">3 of 4</a>	
SVN Rev: <a href="#">Not in version control</a>	File: <a href="#">TIDA-050061_Input_Cap_SchDoc</a>		
Drawn By: <a href="#">Stephen Ziel</a>	Contact: <a href="http://www.ti.com/support">http://www.ti.com/support</a>		

A

A



PCB Number: TIDA-050061  
PCB Rev: A



PCB LOGO  
FCC disclaimer

PCB LOGO  
WEEE logo

B

B

ZZ1  
Assembly Note  
These assemblies are ESD sensitive, ESD precautions shall be observed.

ZZ2  
Assembly Note  
These assemblies must be clean and free from flux and all contaminants. Use of no clean flux is not acceptable.

ZZ3  
Assembly Note  
These assemblies must comply with workmanship standards IPC-A-610 Class 2, unless otherwise specified.

ZZ4  
Assembly Note  
The slot dimensions shall be as shown in the figure below.

ZZ5  
Assembly Note  
There shall be two silkscreen colors on the top side of the PCB (BLACK and WHITE).

ZZ6  
Assembly Note  
The OVERLAY layer shall use BLACK silkscreen.

ZZ7  
Assembly Note  
The MECHANICAL 20 and MECHANICAL 25 layers shall use WHITE silkscreen.

ZZ8  
Assembly Note  
Any component substitutions by the assembly house shall be in compliance with the latest RoHS and REACH directives.

C

C

D

D

Orderable: <a href="#">TPS7A57EVM-081</a>	Designed for: <a href="#">Public Release</a>	Mod. Date: <a href="#">12/19/2022</a>	
TID #: <a href="#">TIDA-050061</a>	Project Title: <a href="#">A Scalable, Parallel LDO Reference Design for High</a>		
Number: <a href="#">TIDA-050061</a>   Rev: <a href="#">A</a>	Sheet Title:		
SVN Rev: <a href="#">Not in version control</a>	Assembly Variant: <a href="#">001</a>	Sheet: <a href="#">4</a> of <a href="#">4</a>	
Drawn By:	File: <a href="#">TIDA-050061_Hardware.SchDoc</a>	Size: <a href="#">B</a>	
Engineer: <a href="#">Stephen Ziel</a>	Contact: <a href="#">http://www.ti.com/support</a>	<a href="#">http://www.ti.com</a> © Texas Instruments 2022	

Texas Instruments and/or its licensors do not warrant the accuracy or completeness of this specification or any information contained therein. Texas Instruments and/or its licensors do not warrant that this design will meet the specifications, will be suitable for your application or fit for any particular purpose, or will operate in an implementation. Texas Instruments and/or its licensors do not warrant that the design is production worthy. You should completely validate and test your design implementation to confirm the system functionality for your application.

## IMPORTANT NOTICE AND DISCLAIMER

TI PROVIDES TECHNICAL AND RELIABILITY DATA (INCLUDING DATA SHEETS), DESIGN RESOURCES (INCLUDING REFERENCE DESIGNS), APPLICATION OR OTHER DESIGN ADVICE, WEB TOOLS, SAFETY INFORMATION, AND OTHER RESOURCES "AS IS" AND WITH ALL FAULTS, AND DISCLAIMS ALL WARRANTIES, EXPRESS AND IMPLIED, INCLUDING WITHOUT LIMITATION ANY IMPLIED WARRANTIES OF MERCHANTABILITY, FITNESS FOR A PARTICULAR PURPOSE OR NON-INFRINGEMENT OF THIRD PARTY INTELLECTUAL PROPERTY RIGHTS.

These resources are intended for skilled developers designing with TI products. You are solely responsible for (1) selecting the appropriate TI products for your application, (2) designing, validating and testing your application, and (3) ensuring your application meets applicable standards, and any other safety, security, regulatory or other requirements.

These resources are subject to change without notice. TI grants you permission to use these resources only for development of an application that uses the TI products described in the resource. Other reproduction and display of these resources is prohibited. No license is granted to any other TI intellectual property right or to any third party intellectual property right. TI disclaims responsibility for, and you will fully indemnify TI and its representatives against, any claims, damages, costs, losses, and liabilities arising out of your use of these resources.

TI's products are provided subject to [TI's Terms of Sale](#) or other applicable terms available either on [ti.com](http://ti.com) or provided in conjunction with such TI products. TI's provision of these resources does not expand or otherwise alter TI's applicable warranties or warranty disclaimers for TI products.

TI objects to and rejects any additional or different terms you may have proposed.

Mailing Address: Texas Instruments, Post Office Box 655303, Dallas, Texas 75265  
Copyright © 2022, Texas Instruments Incorporated