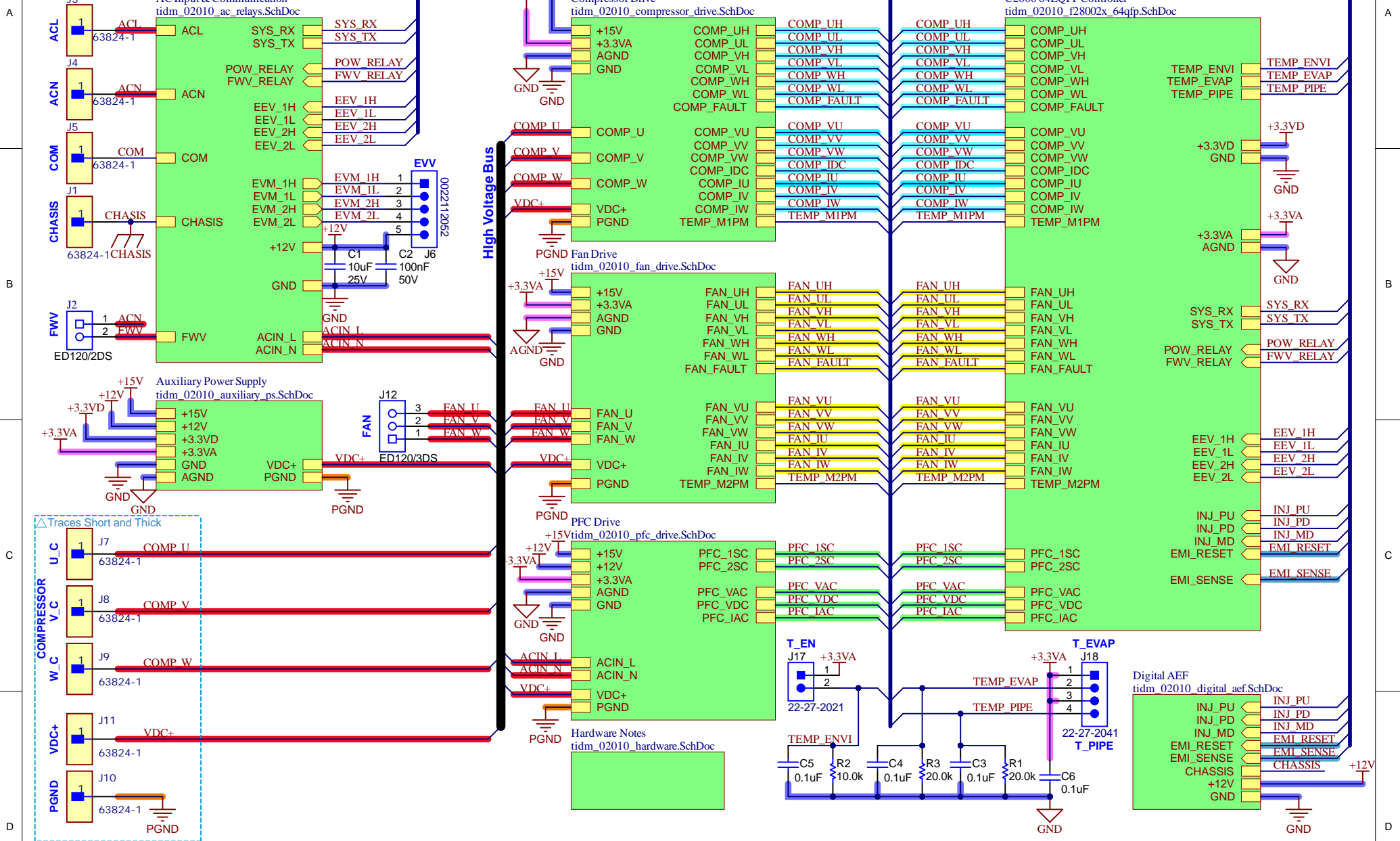


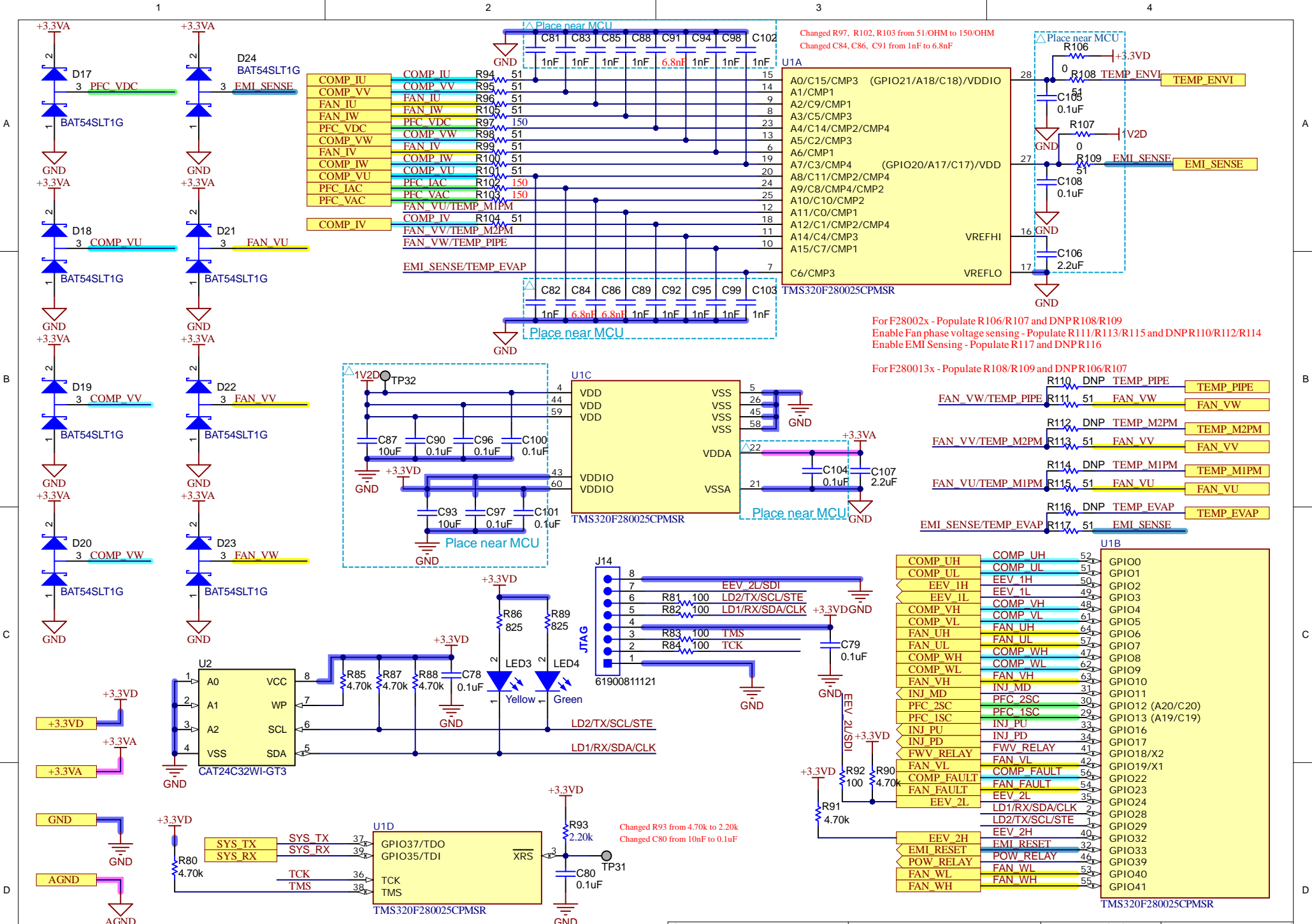
Low Voltage Bus



Texas Instruments and/or its licensors do not warrant the accuracy or completeness of this specification or any information contained therein. Texas Instruments and/or its licensors do not warrant that this design will meet the specifications, will be suitable for your application or fit for any particular purpose, or will operate in an implementation. Texas Instruments and/or its licensors do not warrant that the design is production worthy. You should completely validate and test your design implementation to confirm the system functionality for your application.

Orderable:	Designed for: Public Release	Mod. Date: 1/17/2022
TID #: TIDM-02010	Project Title: Dual Motor Control and DPFC for HVAC	
Number: TIDM-02010 Rev: E3	Sheet Title: General Schematic	
SVN Rev: 11990980214df412cc4e9c6a5e0657e986 (Locally Modified)	Sheet: 2 of 10	
Drawn By:	File: tidm_02010_cover_sheet.SchDoc	Size: Letter
Engineer: C2000 Industrial System	Contact: http://www.ti.com/support	

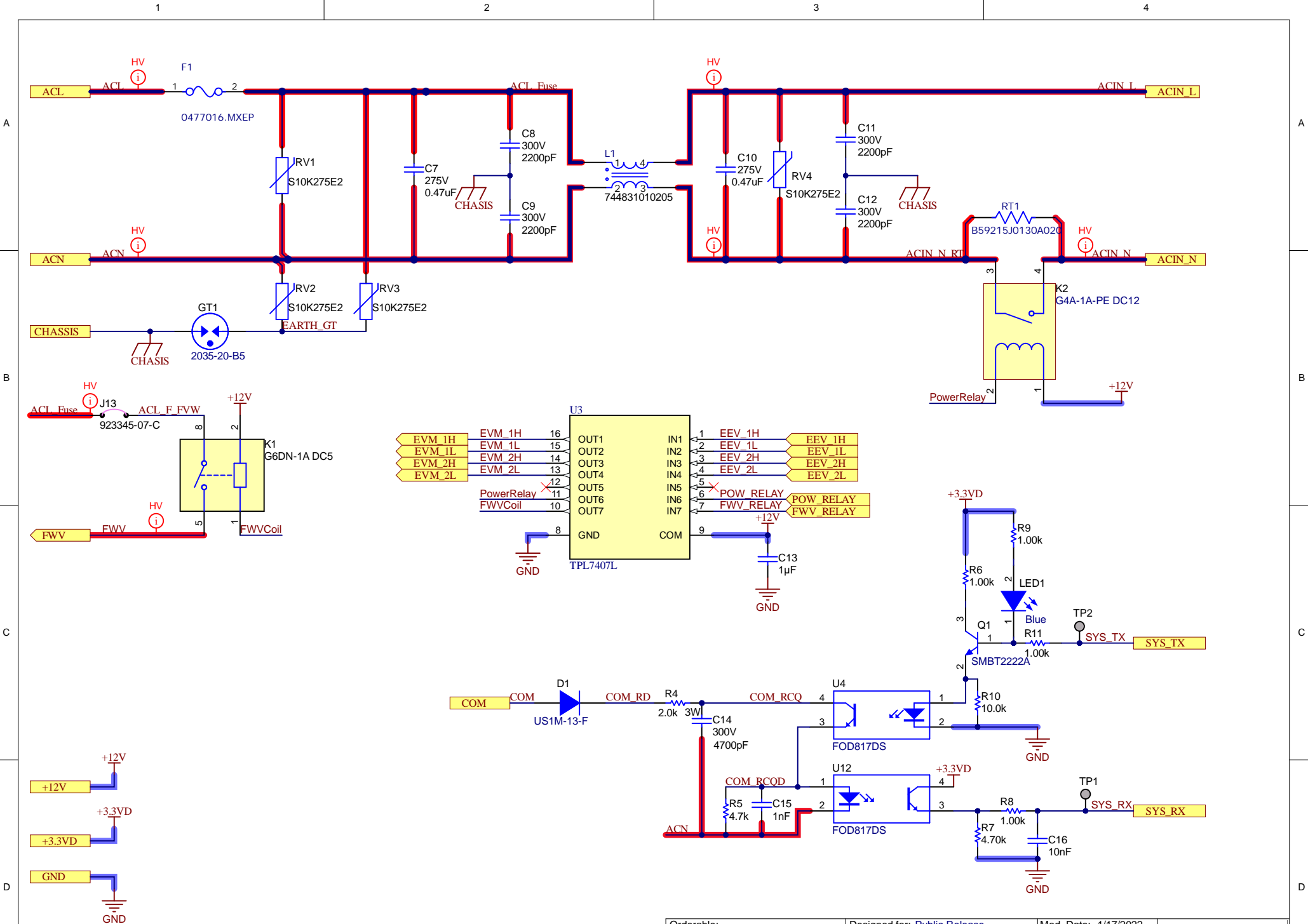




Texas Instruments and/or its licensors do not warrant the accuracy or completeness of this specification or any information contained therein. Texas Instruments and/or its licensors do not warrant that this design will meet the specifications, will be suitable for your application or fit for any particular purpose, or will operate in an implementation. Texas Instruments and/or its licensors do not warrant that the design is production worthy. You should completely validate and test your design implementation to confirm the system functionality for your application.

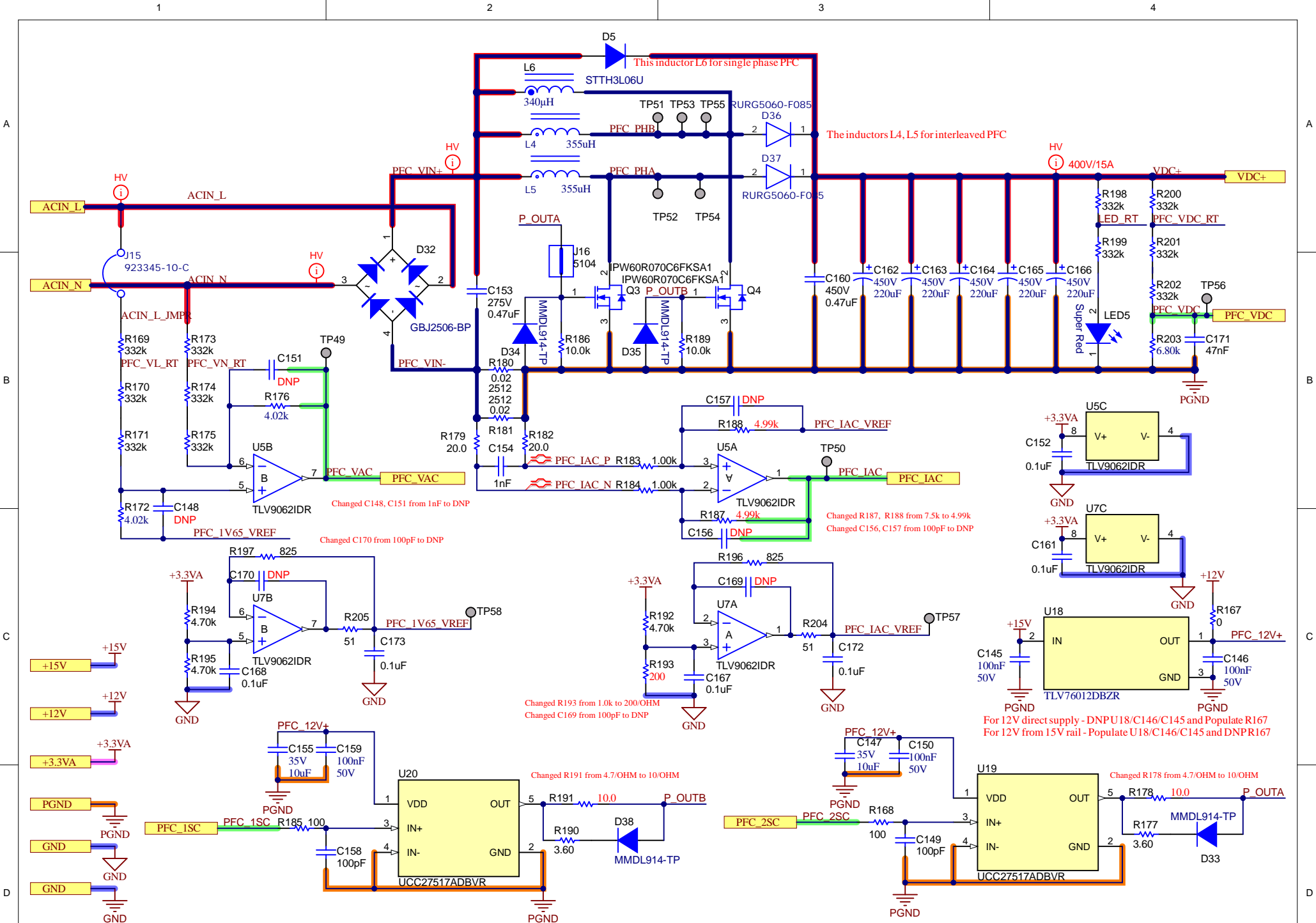
Orderable:	Designed for: Public Release	Mod. Date: 1/17/2022
TID #: TIDM-02010	Project Title: Dual Motor Control and DPFC for HVAC	
Number: TIDM-02010	Rev: E3	Sheet Title: C2000 Controller
SVN Rev:	Assembly Variant: [No Variations]	Sheet: 3 of 10
Drawn By: C2000 Industrial System	File: tidm_02010_f28002x_64qfp.SchDoc	Size: Letter
Engineer: C2000 Industrial System	Contact: http://www.ti.com/support	http://www.ti.com

© Texas Instruments 2021



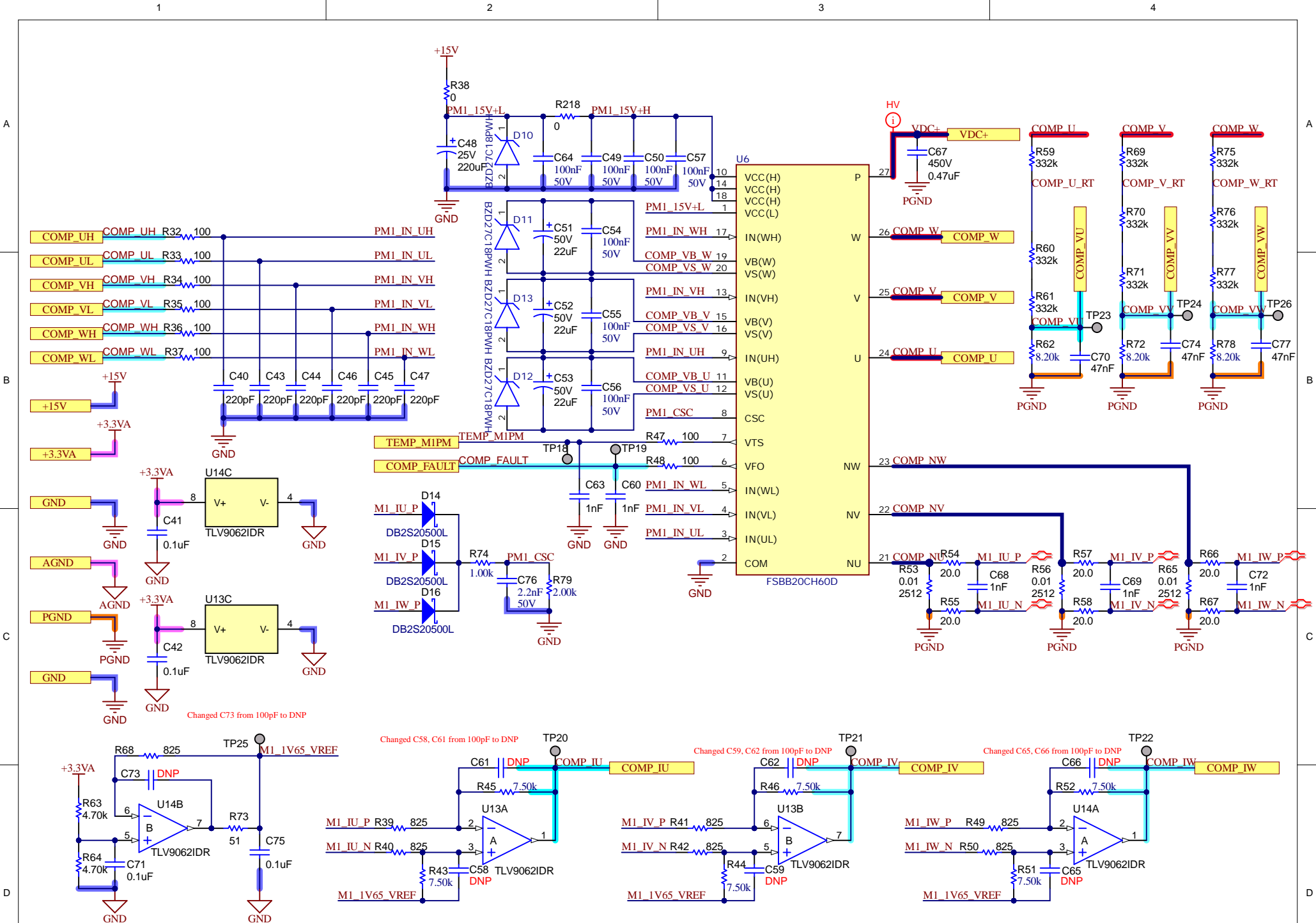
Texas Instruments and/or its licensors do not warrant the accuracy or completeness of this specification or any information contained therein. Texas Instruments and/or its licensors do not warrant that this design will meet the specifications, will be suitable for your application or fit for any particular purpose, or will operate in an implementation. Texas Instruments and/or its licensors do not warrant that the design is production worthy. You should completely validate and test your design implementation to confirm the system functionality for your application.

Orderable:	Designed for: Public Release	Mod. Date: 1/17/2022
TID #: TIDM-02010	Project Title: Dual Motor Control and DPFC for HVAC	
Number: TIDM-02010	Rev: E3	Sheet Title: AC Source Input Filter
SVN Rev:	Assembly Variant: [No Variations]	Sheet: 4 of 10
Drawn By: C2000 Industrial System	File: tidm_02010_ac_relays.SchDoc	Size: Letter
Engineer: C2000 Industrial System	Contact: http://www.ti.com/support	



Texas Instruments and/or its licensors do not warrant the accuracy or completeness of this specification or any information contained therein. Texas Instruments and/or its licensors do not warrant that this design will meet the specifications, will be suitable for your application or fit for any particular purpose, or will operate in an implementation. Texas Instruments and/or its licensors do not warrant that the design is production worthy. You should completely validate and test your design implementation to confirm the system functionality for your application.

Orderable:	Designed for: Public Release	Mod. Date: 1/17/2022
TID #: TIDM-02010	Project Title: Dual Motor Control and DPFC for HVAC	
Number: TIDM-02010	Rev: E3	Sheet Title: Digital Interleaved PFC
SVN Rev:	Assembly Variant: [No Variations]	Sheet: 6 of 10
Drawn By: C2000 Industrial System	File: tidm_02010_pfc_drive.SchDoc	Size: Letter
Engineer: C2000 Industrial System	Contact: http://www.ti.com/support	

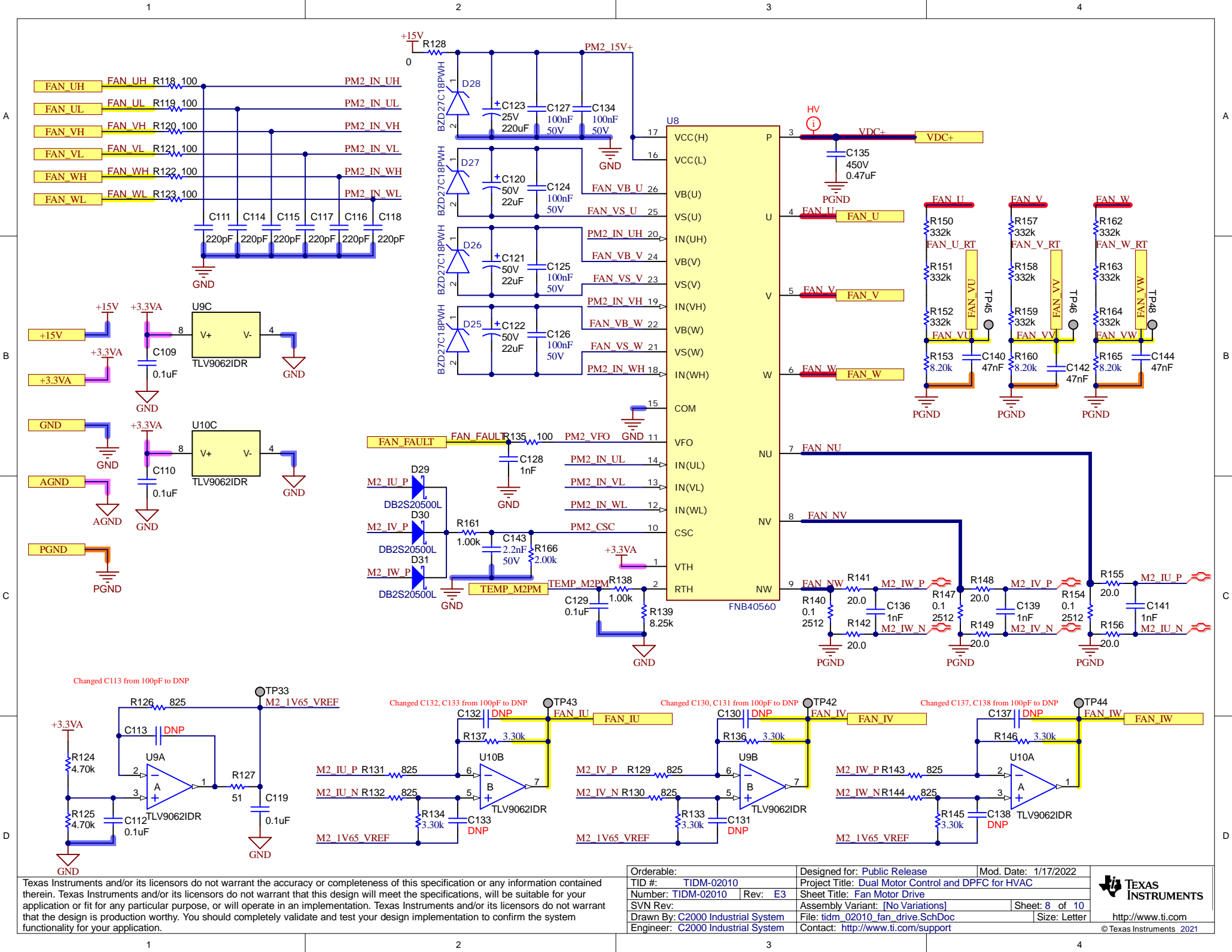


Texas Instruments and/or its licensors do not warrant the accuracy or completeness of this specification or any information contained therein. Texas Instruments and/or its licensors do not warrant that this design will meet the specifications, will be suitable for your application or fit for any particular purpose, or will operate in an implementation. Texas Instruments and/or its licensors do not warrant that the design is production worthy. You should completely validate and test your design implementation to confirm the system functionality for your application.

Orderable:	Designed for: Public Release	Mod. Date: 1/17/2022
TID #: TIDM-02010	Project Title: Dual Motor Control and DPFC for HVAC	
Number: TIDM-02010	Rev: E3	Sheet Title: Compressor Motor Drive
SVN Rev:	Assembly Variant: [No Variations]	Sheet: 7 of 10
Drawn By: C2000 Industrial System	File: tidm_02010_compressor_drive.SchDoc	Size: Letter
Engineer: C2000 Industrial System	Contact: http://www.ti.com/support	

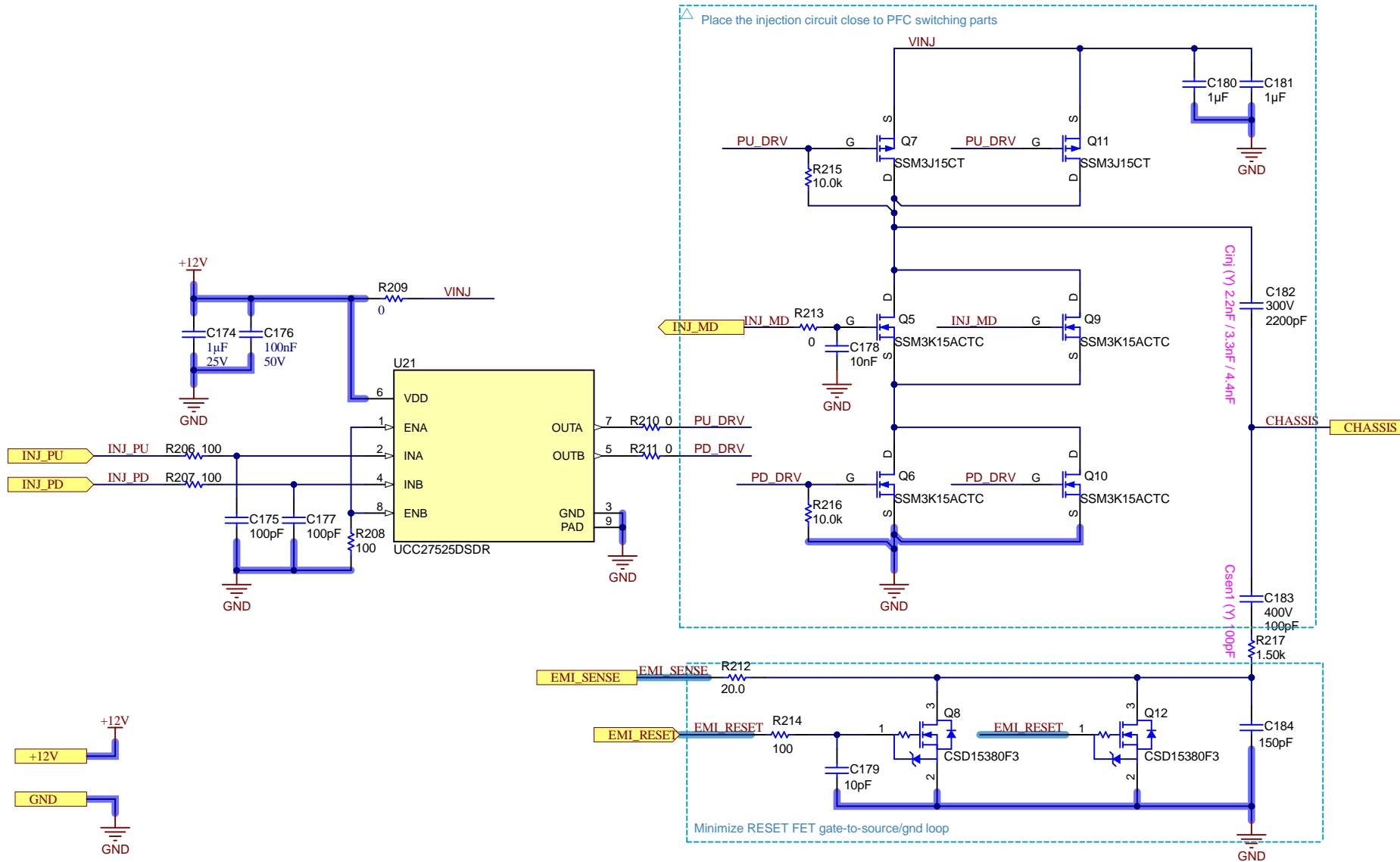
http://www.ti.com

 © Texas Instruments 2021



Texas Instruments and/or its licensors do not warrant the accuracy or completeness of this specification or any information contained therein. Texas Instruments and/or its licensors do not warrant that this design will meet the specifications, will be suitable for your application or fit for any particular purpose, or will operate in an implementation. Texas Instruments and/or its licensors do not warrant that the design is production worthy. You should completely validate and test your design implementation to confirm the system functionality for your application.

Orderable:	Designed for: Public Release	Mod. Date: 1/17/2022
TID #: TIDM-02010	Project Title: Dual Motor Control and DPFC for HVAC	
Number: TIDM-02010	Rev: E3	Sheet Title: Fan Motor Drive
SVN Rev:	Assembly Variant: [No Variations]	Sheet: 8 of 10
Drawn By: C2000 Industrial System	File: tidm_02010_fan_drive.SchDoc	Size: Letter
Engineer: C2000 Industrial System	Contact: http://www.ti.com/support	



Texas Instruments and/or its licensors do not warrant the accuracy or completeness of this specification or any information contained therein. Texas Instruments and/or its licensors do not warrant that this design will meet the specifications, will be suitable for your application or fit for any particular purpose, or will operate in an implementation. Texas Instruments and/or its licensors do not warrant that the design is production worthy. You should completely validate and test your design implementation to confirm the system functionality for your application.

Orderable:	Designed for: Public Release	Mod. Date: 1/17/2022
TID #: TIDM-02010	Project Title: Dual Motor Control and DPFC for HVAC	
Number: TIDM-02010	Rev: E3	Sheet Title: Digital Active EMI Filter
SVN Rev:	Assembly Variant: [No Variations]	Sheet: 9 of 10
Drawn By: C2000 Industrial System	File: tidm_02010_digital_aef.SchDoc	Size: Letter
Engineer: C2000 Industrial System	Contact: http://www.ti.com/support	

http://www.ti.com

 © Texas Instruments 2021

Variant/Label Table	
Variant	Label Text
001	

PCB
LOGO
FCC disclaimer

PCB
LOGO
WEEE logo



LOGO5



DANGER HIGH VOLTAGE

LOGO10



DANGER HIGH VOLTAGE

LOGO7



DANGER HIGH VOLTAGE

PCB
LOGO
Texas Instruments

PCB Number: TIDM-02010
PCB Rev: E3

LOGO6



CAUTION HOT SURFACE

LOGO11



CAUTION HOT SURFACE

LOGO12



CAUTION HOT SURFACE

PCB
LOGO

CAUTION. READ USER GUIDE BEFORE USE

Logo1
PCB
LOGO
ESD Susceptible



Fiducial



Fiducial



Fiducial

ZZ1

Label Assembly Note

This Assembly Note is for PCB labels only

ZZ2

Assembly Note

These assemblies are ESD sensitive, ESD precautions shall be observed.

ZZ3

Assembly Note

These assemblies must be clean and free from flux and all contaminants. Use of no clean flux is not acceptable.

ZZ4

Assembly Note

These assemblies must comply with workmanship standards IPC-A-610 Class 2, unless otherwise specified.

Hardware



NY PMS 440 0025 PH



NY PMS 440 0025 PH



NY PMS 440 0025 PH



NY PMS 440 0025 PH

Texas Instruments and/or its licensors do not warrant the accuracy or completeness of this specification or any information contained therein. Texas Instruments and/or its licensors do not warrant that this design will meet the specifications, will be suitable for your application or fit for any particular purpose, or will operate in an implementation. Texas Instruments and/or its licensors do not warrant that the design is production worthy. You should completely validate and test your design implementation to confirm the system functionality for your application.

Orderable:	Designed for: Public Release	Mod. Date: 1/17/2022
TID #: TIDM-02010	Project Title: Dual Motor Control and DPFC for HVAC	
Number: TIDM-02010	Rev: E3	Sheet Title: Hardware
SVN Rev:	Assembly Variant: [No Variations]	Sheet: 10 of 10
Drawn By: C2000 Industrial System	File: tidm_02010_hardware.SchDoc	Size: Letter
Engineer: C2000 Industrial System	Contact: http://www.ti.com/support	http://www.ti.com



© Texas Instruments 2021

IMPORTANT NOTICE AND DISCLAIMER

TI PROVIDES TECHNICAL AND RELIABILITY DATA (INCLUDING DATA SHEETS), DESIGN RESOURCES (INCLUDING REFERENCE DESIGNS), APPLICATION OR OTHER DESIGN ADVICE, WEB TOOLS, SAFETY INFORMATION, AND OTHER RESOURCES "AS IS" AND WITH ALL FAULTS, AND DISCLAIMS ALL WARRANTIES, EXPRESS AND IMPLIED, INCLUDING WITHOUT LIMITATION ANY IMPLIED WARRANTIES OF MERCHANTABILITY, FITNESS FOR A PARTICULAR PURPOSE OR NON-INFRINGEMENT OF THIRD PARTY INTELLECTUAL PROPERTY RIGHTS.

These resources are intended for skilled developers designing with TI products. You are solely responsible for (1) selecting the appropriate TI products for your application, (2) designing, validating and testing your application, and (3) ensuring your application meets applicable standards, and any other safety, security, regulatory or other requirements.

These resources are subject to change without notice. TI grants you permission to use these resources only for development of an application that uses the TI products described in the resource. Other reproduction and display of these resources is prohibited. No license is granted to any other TI intellectual property right or to any third party intellectual property right. TI disclaims responsibility for, and you will fully indemnify TI and its representatives against, any claims, damages, costs, losses, and liabilities arising out of your use of these resources.

TI's products are provided subject to [TI's Terms of Sale](#) or other applicable terms available either on ti.com or provided in conjunction with such TI products. TI's provision of these resources does not expand or otherwise alter TI's applicable warranties or warranty disclaimers for TI products.

TI objects to and rejects any additional or different terms you may have proposed.

Mailing Address: Texas Instruments, Post Office Box 655303, Dallas, Texas 75265
Copyright © 2022, Texas Instruments Incorporated