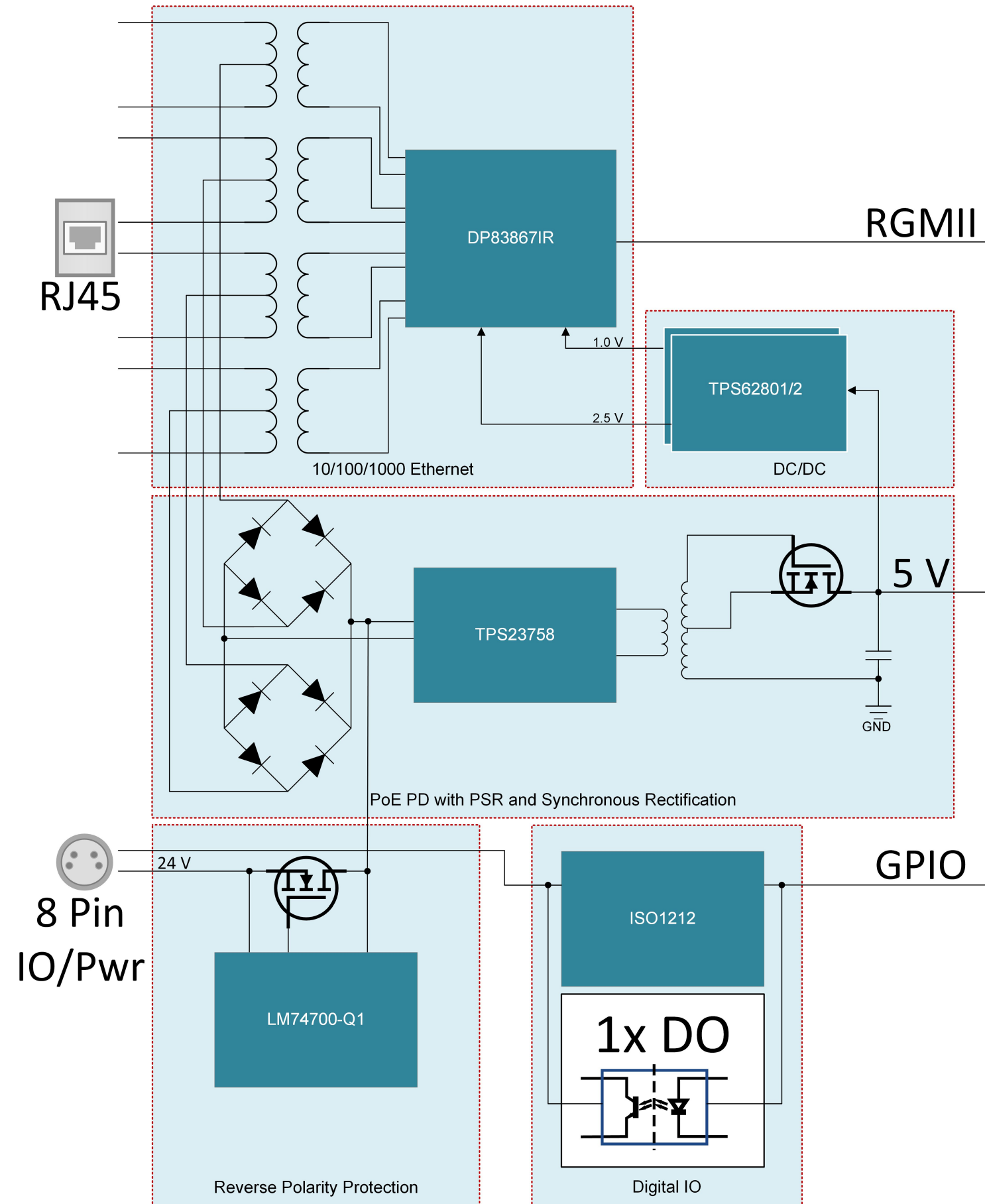


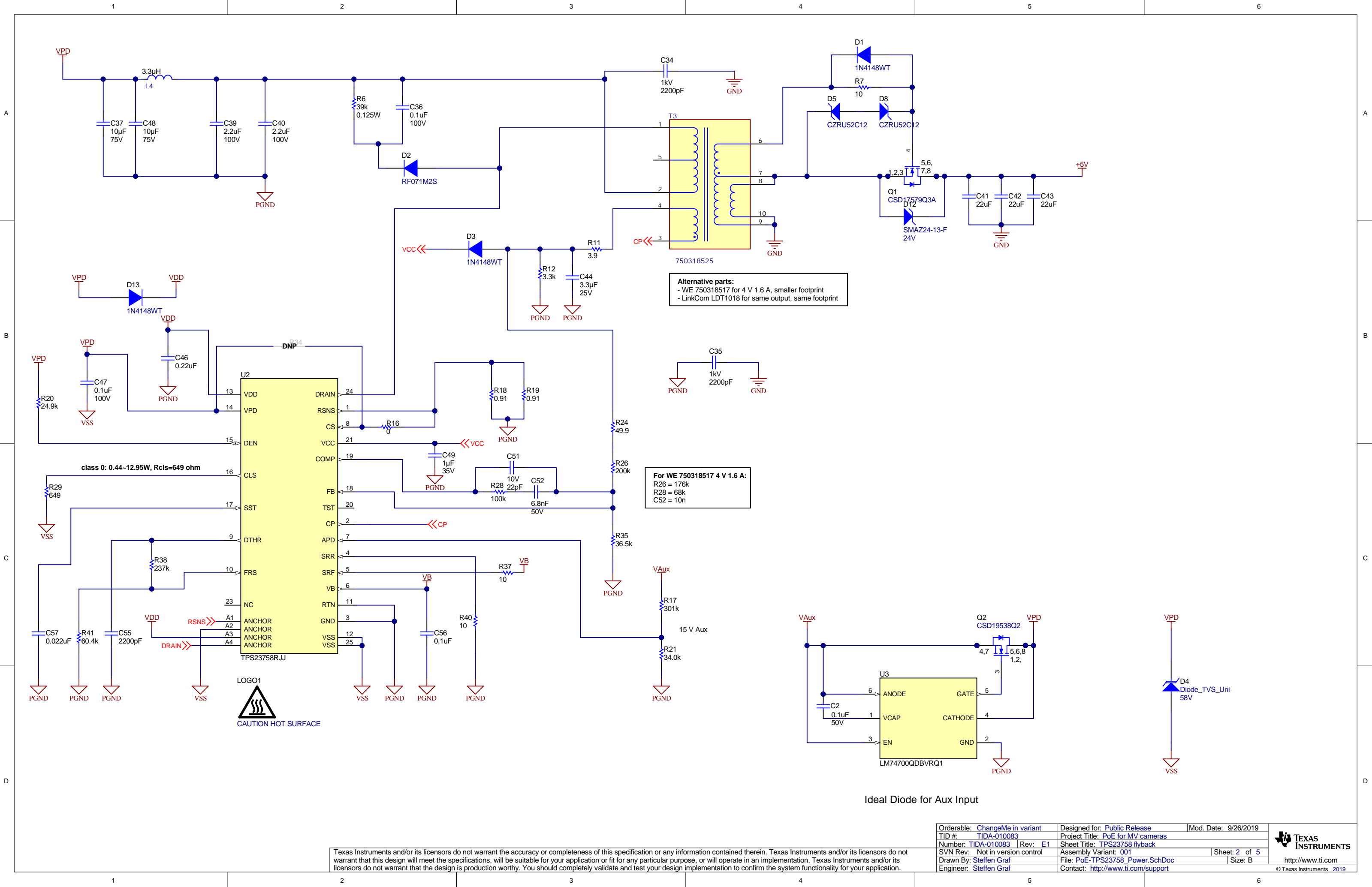
Revision History

Rev	ECN #	Approved Date	Approved by	Notes
N/A	N/A	N/A	N/A	N/A



Texas Instruments and/or its licensors do not warrant the accuracy or completeness of this specification or any information contained therein. Texas Instruments and/or its licensors do not warrant that this design will meet the specifications, will be suitable for your application or fit for any particular purpose, or will operate in an implementation. Texas Instruments and/or its licensors do not warrant that the design is production worthy. You should completely validate and test your design implementation to confirm the system functionality for your application.

Orderable: <a href="#">ChangeMe in variant</a>	Designed for: <a href="#">Public Release</a>	Mod. Date: 9/12/2019	 <a href="http://www.ti.com">http://www.ti.com</a> © Texas Instruments 2019
TID #: <a href="#">TIDA-010083</a>	Project Title: <a href="#">PoE for MV cameras</a>	Sheet: 1 of 5	
Number: <a href="#">TIDA-010083</a>   Rev: <a href="#">E1</a>	Sheet Title: <a href="#">Cover page</a>	Size: B	
SVN Rev: <a href="#">Not in version control</a>	Assembly Variant: <a href="#">001</a>	Contact: <a href="http://www.ti.com/support">http://www.ti.com/support</a>	
Drawn By: <a href="#">Steffen Graf</a>	File: <a href="#">PoE-TPS23758_CoverSheet.SchDoc</a>		



**Alternative parts:**  
 - WE 750318517 for 4 V 1.6 A, smaller footprint  
 - LinkCom LDT1018 for same output, same footprint

**For WE 750318517 4 V 1.6 A:**  
 R26 = 176k  
 R28 = 68k  
 C52 = 10n

Ideal Diode for Aux Input

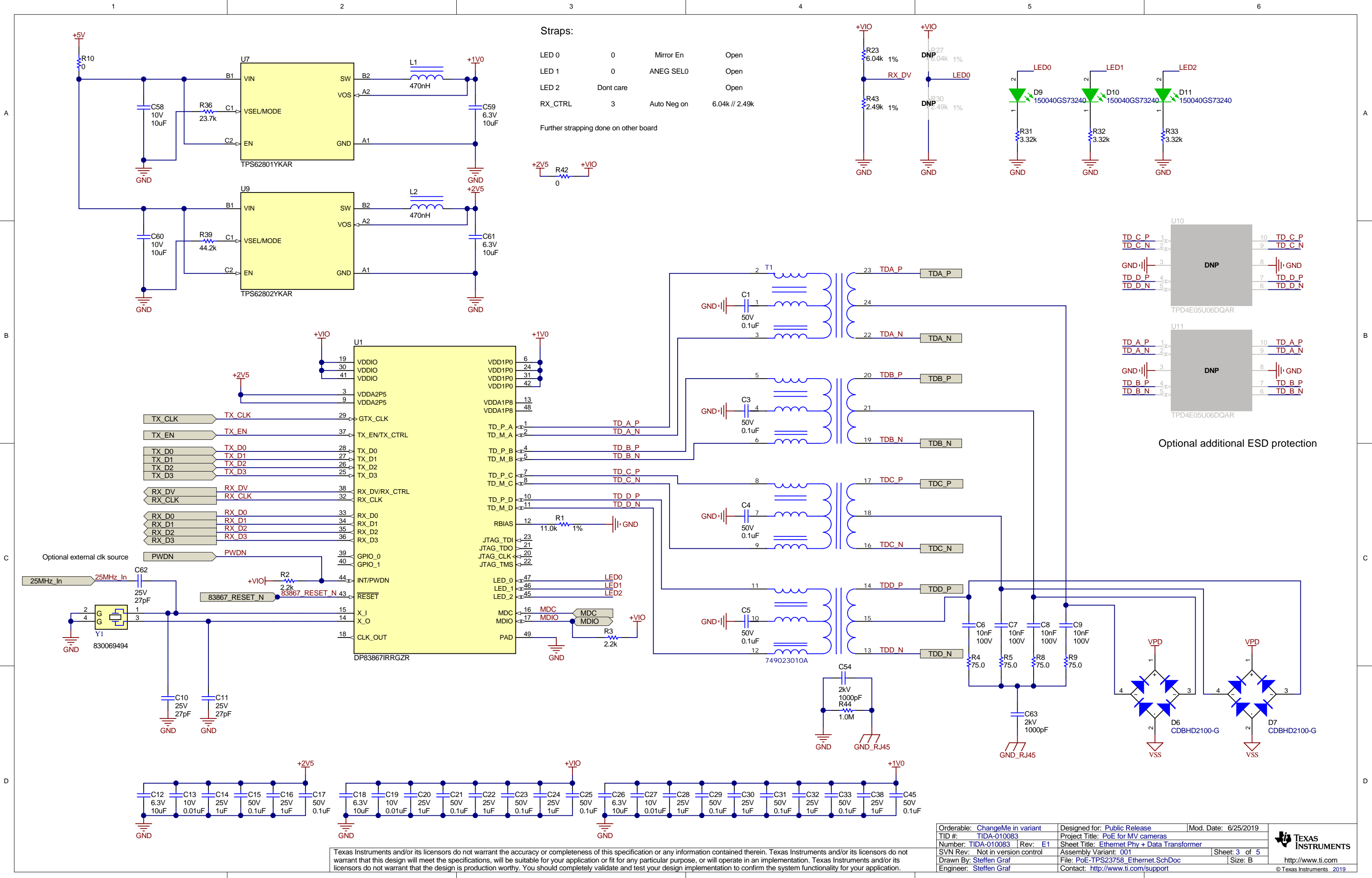


Texas Instruments and/or its licensors do not warrant the accuracy or completeness of this specification or any information contained therein. Texas Instruments and/or its licensors do not warrant that this design will meet the specifications, will be suitable for your application or fit for any particular purpose, or will operate in an implementation. Texas Instruments and/or its licensors do not warrant that the design is production worthy. You should completely validate and test your design implementation to confirm the system functionality for your application.

Orderable: <a href="#">ChangeMe in variant</a>	Designed for: <a href="#">Public Release</a>	Mod. Date: 9/26/2019
TID #: TIDA-010083	Project Title: <a href="#">PoE for MV cameras</a>	
Number: TIDA-010083	Rev: E1	Sheet Title: <a href="#">TPS23758 flyback</a>
SVN Rev: Not in version control	File: <a href="#">PoE-TPS23758_Power.SchDoc</a>	Sheet: 2 of 5
Drawn By: <a href="#">Steffen Graf</a>	File: <a href="#">PoE-TPS23758_Power.SchDoc</a>	Size: B
Engineer: <a href="#">Steffen Graf</a>	Contact: <a href="http://www.ti.com/support">http://www.ti.com/support</a>	



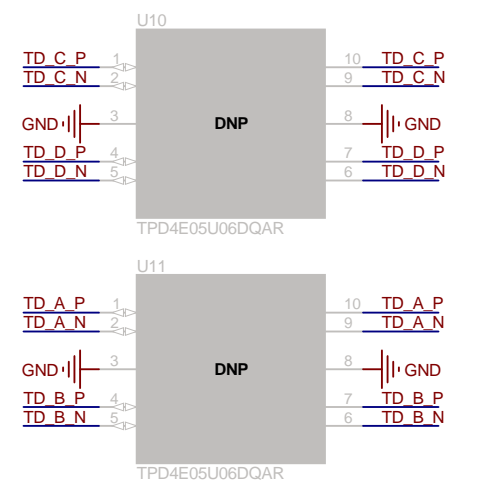
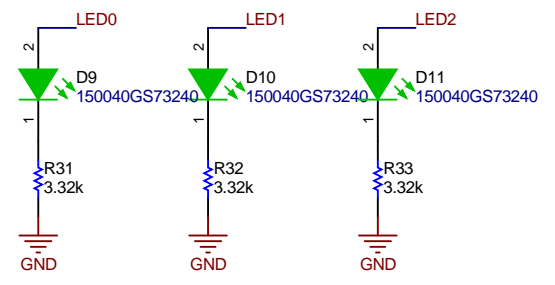
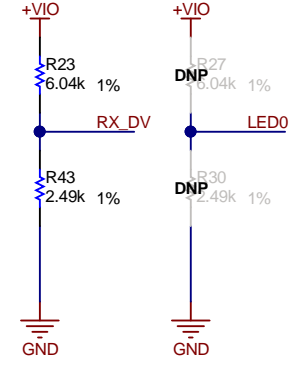
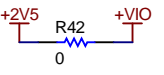
© Texas Instruments 2019



Straps:

LED 0	0	Mirror En	Open
LED 1	0	ANEG SEL0	Open
LED 2	Dont care		Open
RX_CTRL	3	Auto Neg on	6.04k // 2.49k

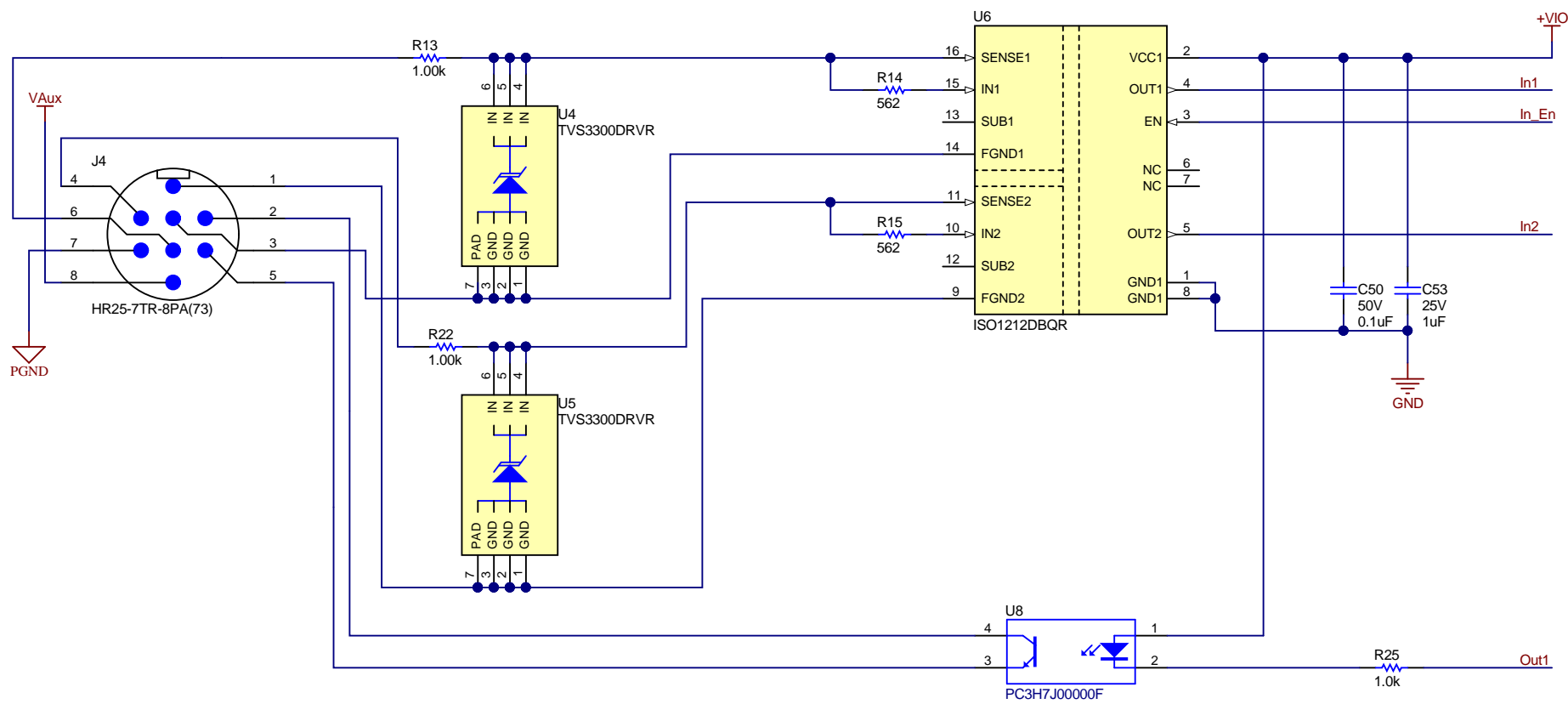
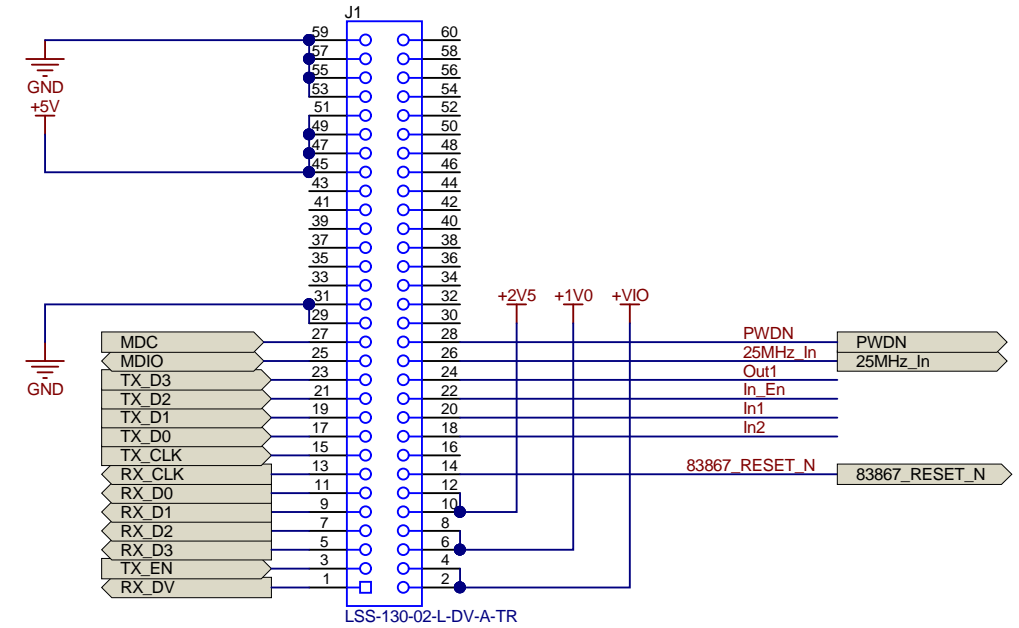
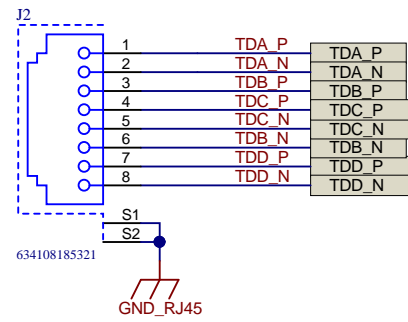
Further strapping done on other board



Optional additional ESD protection

Orderable: ChangeMe in variant	Designed for: Public Release	Mod. Date: 6/25/2019
TID #: TIDA-010083	Project Title: PoE for MV cameras	
Number: TIDA-010083   Rev: E1	Sheet Title: Ethernet Phy + Data Transformer	
SVN Rev: Not in version control	Assembly Variant: 001	Sheet: 3 of 5
Drawn By: Steffen Graf	File: PoE-TPS23758_Ethernet.SchDoc	Size: B
Engineer: Steffen Graf	Contact: <a href="http://www.ti.com/support">http://www.ti.com/support</a>	

Texas Instruments and/or its licensors do not warrant the accuracy or completeness of this specification or any information contained therein. Texas Instruments and/or its licensors do not warrant that this design will meet the specifications, will be suitable for your application or fit for any particular purpose, or will operate in an implementation. Texas Instruments and/or its licensors do not warrant that the design is production worthy. You should completely validate and test your design implementation to confirm the system functionality for your application.



Orderable: <a href="#">ChangeMe in variant</a>	Designed for: <a href="#">Public Release</a>	Mod. Date: 9/12/2019
TID #: <a href="#">TIDA-010083</a>	Project Title: <a href="#">PoE for MV cameras</a>	
Number: <a href="#">TIDA-010083</a>	Rev: <a href="#">E1</a>	Sheet Title: <a href="#">Connectors</a>
SVN Rev: <a href="#">Not in version control</a>	Assembly Variant: <a href="#">001</a>	Sheet: <a href="#">4 of 5</a>
Drawn By: <a href="#">Steffen Graf</a>	File: <a href="#">PoE-TPS23758_Connectors.SchDoc</a>	Size: <a href="#">B</a>
Engineer: <a href="#">Steffen Graf</a>	Contact: <a href="#">http://www.ti.com/support</a>	

Texas Instruments and/or its licensors do not warrant the accuracy or completeness of this specification or any information contained therein. Texas Instruments and/or its licensors do not warrant that this design will meet the specifications, will be suitable for your application or fit for any particular purpose, or will operate in an implementation. Texas Instruments and/or its licensors do not warrant that the design is production worthy. You should completely validate and test your design implementation to confirm the system functionality for your application.

PCB Number: TIDA-010083  
PCB Rev: E1

PCB  
LOGO  
Texas Instruments

PCB  
LOGO  
FCC disclaimer

PCB  
LOGO  
WEEE logo

Variant/Label Table	
Variant	Label Text
001	Default


ZZ1  
Label Assembly Note  
This Assembly Note is for PCB labels only

ZZ2  
Assembly Note  
These assemblies are ESD sensitive, ESD precautions shall be observed.

ZZ3  
Assembly Note  
These assemblies must be clean and free from flux and all contaminants. Use of no clean flux is not acceptable.

ZZ4  
Assembly Note  
These assemblies must comply with workmanship standards IPC-A-610 Class 2, unless otherwise specified.

Texas Instruments and/or its licensors do not warrant the accuracy or completeness of this specification or any information contained therein. Texas Instruments and/or its licensors do not warrant that this design will meet the specifications, will be suitable for your application or fit for any particular purpose, or will operate in an implementation. Texas Instruments and/or its licensors do not warrant that the design is production worthy. You should completely validate and test your design implementation to confirm the system functionality for your application.

Orderable: <a href="#">ChangeMe in variant</a>	Designed for: <a href="#">Public Release</a>	Mod. Date: 9/26/2019
TID #: <a href="#">TIDA-010083</a>	Project Title: <a href="#">PoE for MV cameras</a>	
Number: <a href="#">TIDA-010083</a>	Rev: <a href="#">E1</a>	Sheet Title: <a href="#">Hardware sheet</a>
SVN Rev: <a href="#">Not in version control</a>	Assembly Variant: <a href="#">001</a>	Sheet: <a href="#">5 of 5</a>
Drawn By: <a href="#">Steffen Graf</a>	File: <a href="#">PoE-TPS23758_Hardware.SchDoc</a>	Size: B
Engineer: <a href="#">Steffen Graf</a>	Contact: <a href="http://www.ti.com/support">http://www.ti.com/support</a>	 <b>TEXAS INSTRUMENTS</b> <a href="http://www.ti.com">http://www.ti.com</a> © Texas Instruments 2019

## IMPORTANT NOTICE AND DISCLAIMER

TI PROVIDES TECHNICAL AND RELIABILITY DATA (INCLUDING DATASHEETS), DESIGN RESOURCES (INCLUDING REFERENCE DESIGNS), APPLICATION OR OTHER DESIGN ADVICE, WEB TOOLS, SAFETY INFORMATION, AND OTHER RESOURCES "AS IS" AND WITH ALL FAULTS, AND DISCLAIMS ALL WARRANTIES, EXPRESS AND IMPLIED, INCLUDING WITHOUT LIMITATION ANY IMPLIED WARRANTIES OF MERCHANTABILITY, FITNESS FOR A PARTICULAR PURPOSE OR NON-INFRINGEMENT OF THIRD PARTY INTELLECTUAL PROPERTY RIGHTS.

These resources are intended for skilled developers designing with TI products. You are solely responsible for (1) selecting the appropriate TI products for your application, (2) designing, validating and testing your application, and (3) ensuring your application meets applicable standards, and any other safety, security, or other requirements. These resources are subject to change without notice. TI grants you permission to use these resources only for development of an application that uses the TI products described in the resource. Other reproduction and display of these resources is prohibited. No license is granted to any other TI intellectual property right or to any third party intellectual property right. TI disclaims responsibility for, and you will fully indemnify TI and its representatives against, any claims, damages, costs, losses, and liabilities arising out of your use of these resources.

TI's products are provided subject to TI's Terms of Sale ([www.ti.com/legal/termsofsale.html](http://www.ti.com/legal/termsofsale.html)) or other applicable terms available either on [ti.com](http://ti.com) or provided in conjunction with such TI products. TI's provision of these resources does not expand or otherwise alter TI's applicable warranties or warranty disclaimers for TI products.

Mailing Address: Texas Instruments, Post Office Box 655303, Dallas, Texas 75265  
Copyright © 2019, Texas Instruments Incorporated