

DM388 Base Board

User's Guide



Literature Number: SPRUI85
August 2016

| | |
|---|-----------|
| Preface | 7 |
| 1 Introduction to DM388 Base EVM | 9 |
| 1.1 DM388 Processor | 10 |
| 1.2 Block Diagram | 12 |
| 1.3 Key Features | 13 |
| 1.4 Functional Overview | 13 |
| 1.5 Memory and I/O Mapping | 14 |
| 1.6 GPIO Mapping | 15 |
| 1.7 I ² C Address Mapping | 16 |
| 2 Interfaces and Power Section of DM388 Base EVM | 17 |
| 2.1 EVM Interfaces | 18 |
| 2.1.1 DDR Interface | 18 |
| 2.1.2 NAND Interface | 18 |
| 2.1.3 SD/MMC Interface | 18 |
| 2.1.4 Audio Interface | 19 |
| 2.1.5 EMAC Interface | 19 |
| 2.1.6 EEPROM Interfaces | 20 |
| 2.1.7 HDMI | 21 |
| 2.1.8 Video DAC Interface | 22 |
| 2.1.9 High-Speed USB Interface | 22 |
| 2.1.10 SPI Flash Interface | 22 |
| 2.1.11 UART Interface | 22 |
| 2.1.12 I ² C Interface | 23 |
| 2.1.13 Debug Interface | 23 |
| 2.1.14 PCI Express Interface | 23 |
| 2.1.15 MSP430™ Interface | 24 |
| 2.2 Clock | 25 |
| 2.3 Power | 25 |
| 2.3.1 DM388 Power From PMIC | 29 |
| 2.4 DM388 EVM Muxing Options | 30 |
| 2.4.1 McASP0 Muxing | 31 |
| 2.4.2 McASP1 Muxing | 32 |
| 2.4.3 McASP0_AXR [4:5] Lines Muxing | 33 |
| 2.4.4 McASP5 and GPIO Selection for VC Board | 34 |
| 2.4.5 MCA1_AHCLKX Muxing | 35 |
| 2.5 UART2, I2C2, and VOUT Muxing | 35 |
| 3 Physical Description | 37 |
| 3.1 DM388 EVM Layout | 38 |
| 3.2 Connectors, Switches, Headers, and Jumpers | 39 |
| 3.2.1 SD/MMC Card Holder | 39 |
| 3.2.2 JTAG Header | 40 |
| 3.2.3 Component Video Out | 41 |
| 3.2.4 VGA Connector | 42 |
| 3.2.5 Composite Video Connector | 44 |
| 3.2.6 USB-OTG Connector | 45 |

| | | |
|----------|---------------------------------|------------|
| 3.2.7 | HDMI OUT Connector | 47 |
| 3.2.8 | Ethernet Connector | 48 |
| 3.2.9 | PCI Express Connector | 50 |
| 3.2.10 | UART Connector | 52 |
| 3.2.11 | EEPROM Header | 55 |
| 3.2.12 | MSP JTAG Header | 56 |
| 3.2.13 | Audio Connectors | 57 |
| 3.2.14 | Power Switches | 58 |
| 3.2.15 | Boot Mode Switches | 59 |
| 3.2.16 | Reset Switch SW4 | 61 |
| 3.2.17 | Power-On Reset Switch SW7 | 62 |
| 3.2.18 | GPIO Switches and LEDs..... | 63 |
| 3.2.19 | Fuses | 63 |
| 3.3 | Test Points | 64 |
| 3.4 | Expansion Connector | 66 |
| A | Schematics | 73 |
| B | Assembly Drawings | 112 |

List of Figures

| | | |
|-------|---|----|
| 1-1. | DM388 Processor | 10 |
| 1-2. | DM388 EVM Block Diagram | 12 |
| 2-1. | PCIe Clock AC-Decoupling Capacitors – Host Clocking Enabled | 24 |
| 2-2. | IP_EVM_12V..... | 26 |
| 2-3. | TPS_EVM_5V0..... | 26 |
| 2-4. | BCK2_3V3 | 27 |
| 2-5. | EVM_5V0..... | 27 |
| 2-6. | EVM_3V3..... | 28 |
| 2-7. | PMIC Circuitry | 30 |
| 2-8. | McASP0 Muxing..... | 31 |
| 2-9. | McASP1 Muxing..... | 32 |
| 2-10. | McASP0 Muxing..... | 33 |
| 2-11. | MCA5 and GPIO Selection | 34 |
| 2-12. | Required Output Selection | 35 |
| 2-13. | UART2, I2C2, and VOUT Muxing..... | 36 |
| 3-1. | TMDXEVM388 Base EVM (Top View) | 38 |
| 3-2. | TMDXEVM388 Base EVM (Bottom View) | 39 |
| 3-3. | SD/MMC Card Holder | 39 |
| 3-4. | JTAG Header | 40 |
| 3-5. | Component Video Connectors..... | 41 |
| 3-6. | Component Video Cable | 42 |
| 3-7. | VGA Connector..... | 43 |
| 3-8. | VGA Male-to-Male Cable..... | 44 |
| 3-9. | Composite Video Out Connector..... | 44 |
| 3-10. | Composite Video Cable | 45 |
| 3-11. | USB-OTG Connectors..... | 46 |
| 3-12. | HDMI Connector..... | 47 |
| 3-13. | HDMI Cable | 48 |
| 3-14. | Ethernet Connectors | 49 |
| 3-15. | PCIe Connector..... | 50 |
| 3-16. | PCIe Cable | 52 |
| 3-17. | UART Connector | 52 |
| 3-18. | MSP430 UART Connector | 53 |
| 3-19. | UART F-F Serial Cable..... | 54 |
| 3-20. | EEPROM Header | 55 |
| 3-21. | MSP JTAG Header..... | 56 |
| 3-22. | Audio Codec Connectors..... | 57 |
| 3-23. | HP-Out, Mic-in, and Line-in Cables..... | 58 |
| 3-24. | EVM Switch Arrangement..... | 59 |
| 3-25. | Boot Mode Switches | 60 |
| 3-26. | Reset Switches | 62 |
| 3-27. | GPIO Switch and LEDs..... | 63 |
| 3-28. | Major Test Points..... | 64 |
| A-1. | Version History | 74 |
| A-2. | DM385 Block Diagram..... | 75 |
| A-3. | Memory Map | 76 |
| A-4. | McASP Muxing | 77 |

| | | |
|-------|---|-----|
| A-5. | DM385 McASP | 78 |
| A-6. | McASP Muxing and Decoders..... | 79 |
| A-7. | McASP B-B Connection | 80 |
| A-8. | AIC3106 | 81 |
| A-9. | GMII0 Interface | 82 |
| A-10. | Ethernet Controller 0..... | 83 |
| A-11. | Ethernet Controller 1 | 84 |
| A-12. | NAND Flash..... | 85 |
| A-13. | GPMC B-B Connector | 86 |
| A-14. | DM385 MMC0, MMC1, and MMC2 | 87 |
| A-15. | DM385 DDR0 Terminations..... | 88 |
| A-16. | DDR0-0, DDR0-1, DDR0-2, and DDR0-3..... | 89 |
| A-17. | DM385 VIN0, VOUT0, and VOUT1 | 90 |
| A-18. | Video B-B Connector | 91 |
| A-19. | DM385 Serial Interfaces..... | 92 |
| A-20. | SPI Flash | 93 |
| A-21. | DM385 HDMI, SATA, USB0, and USB1 | 94 |
| A-22. | USB Interface | 95 |
| A-23. | DM385 PCIe, JTAG, and Video | 96 |
| A-24. | PCIe Connector..... | 97 |
| A-25. | SerDes Clocks | 98 |
| A-26. | DM385 Clocks | 99 |
| A-27. | Power Monitor CPU | 100 |
| A-28. | Power Monitors | 101 |
| A-29. | DM385 Power | 102 |
| A-30. | DM385 VSS | 103 |
| A-31. | TPS659113-A | 104 |
| A-32. | TPS659113-B | 105 |
| A-33. | TPS51116..... | 106 |
| A-34. | TPS65232..... | 107 |
| A-35. | Power Selection..... | 108 |
| A-36. | Power In..... | 109 |
| A-37. | Changes in Schematics..... | 110 |
| A-38. | DDR3_TP..... | 111 |
| B-1. | Assembly Drawing (Top Side) | 113 |
| B-2. | Assembly Drawing (Bottom Side)..... | 114 |

List of Tables

| | | |
|-------|--|----|
| 0-1. | Document History | 7 |
| 0-2. | Board History | 7 |
| 0-3. | Acronyms | 8 |
| 1-1. | Memory and I/O Map | 14 |
| 1-2. | GPIO Mapping | 15 |
| 1-3. | I ² C Address Mapping | 16 |
| 2-1. | McASP1 Mapping | 19 |
| 2-2. | Board Information | 21 |
| 2-3. | I ² C Power-Monitor Addresses | 25 |
| 2-4. | McASP0 Mapping | 31 |
| 2-5. | McASP1 Muxing | 33 |
| 2-6. | McASP0_AXR Muxing | 34 |
| 2-7. | Channel Selection | 35 |
| 2-8. | Channel Selection and Output | 35 |
| 2-9. | I/O Expander GPIOs | 36 |
| 3-1. | Pinout of SD/MMC Card Holder | 40 |
| 3-2. | Pinout of JTAG Header | 41 |
| 3-3. | Pinout of RGB Connector | 42 |
| 3-4. | Pinout of VGA Connector | 43 |
| 3-5. | CV OUT | 45 |
| 3-6. | Pinout of USB-OTG Connector | 46 |
| 3-7. | Pinout of HDMI OUT | 47 |
| 3-8. | Pinout of Ethernet Connectors | 49 |
| 3-9. | Pinout of PCIe Connector | 51 |
| 3-10. | Pinout of UART Connectors | 53 |
| 3-11. | Pinout of EEPROM Header | 55 |
| 3-12. | Pinout of MSP JTAG Header | 56 |
| 3-13. | Pinout of Audio LINE OUT | 57 |
| 3-14. | Pinout of Audio LINE IN | 57 |
| 3-15. | Pinout of Audio MIC IN | 58 |
| 3-16. | Boot Mode Combinations | 60 |
| 3-17. | Warm Reset Push-Button | 61 |
| 3-18. | Cold-Reset Push-Button | 62 |
| 3-19. | Test Point Signals | 65 |
| 3-20. | 64-Pin Video Expansion Connector (J27) | 66 |
| 3-21. | 128-Pin Video Expansion Connector (J28) | 67 |
| 3-22. | 128-Pin GPMC Expansion Connector (J19) | 68 |
| 3-23. | 128-Pin MCASP Expansion Connector | 70 |
| 3-24. | 64-Pin GPMC Expansion Connector | 71 |

About This Manual

Developed with Mistral Solutions, the DM388 base evaluation module (EVM) enables developers to start immediate evaluation of DM388 processors and begin building on different video applications.

This document describes the board level operations of the DM388 base EVM. The EVM is based on the Texas Instruments DM388 Applications Processor.

National Conventions

The DM388 base EVM will sometimes be referred to as the DM814x EVM or the base EVM.

Information About Cautions

This Document may contain cautions.

This is an Example of a Caution Statement

A caution statement describes a situation that could potentially damage your software, hardware, or other equipment. The information in a caution is provided for your protection. Please read each caution carefully.

Related Documents, Application Notes, and User Guides

Information regarding the DM388 processor can be found at <http://www.ti.com>.

Table 0-1. Document History

| Version Number | Description of Changes |
|----------------|------------------------|
| 0.1 | Draft version |

Table 0-2. Board History

| PCB Revision | History |
|--------------|---------------------------------|
| Revision A | Created |
| Revision B | HDDAC and GMPC sections changed |

DaVinci, MSP430, Code Composer Studio are trademarks of Texas Instruments.
 NEON is a trademark of ARM Limited.
 ARM, Cortex are registered trademarks of ARM Limited.
 Mentor is a registered trademark of Mentor Graphics Corporation.
 PCI Express is a registered trademark of PCI-SIG.
 Skype is a trademark of Skype.
 DesignWare is a registered trademark of Synopsys, Inc..

Acronyms

Table 0-3 lists the acronyms used in this document.

Table 0-3. Acronyms

| Acronym | Definition |
|------------------|---|
| BGA | Ball grid array |
| CCS | Code Composer Studio |
| DDR | Double data rate |
| EEPROM | Electrically erasable programmable read-only memory |
| ESD | Electrostatic discharge |
| EVM | Evaluation module |
| GPIO | General purpose Input/Output |
| GPMC | General purpose memory controller |
| I ² C | Inter-integrated circuit |
| JTAG | Joint test action group |
| LCD | Liquid crystal display |
| LED | Light emitting diode |
| MAC | Media access controller |
| McBSP | Multichannel buffered serial port |
| OTG | On-the-go |
| PCB | Printed circuit board |
| PHY | Physical transceiver |
| SD/MMC | Secure digital and multimedia card |
| SDRC | SDRAM controller |
| SDRAM | Synchronous dynamic random access memory |
| SPI | Serial peripheral interface |
| SPDT | Single pole double throw |
| UART | Universal asynchronous receiver transmitter |
| USB | Universal serial bus |

Introduction to DM388 Base EVM

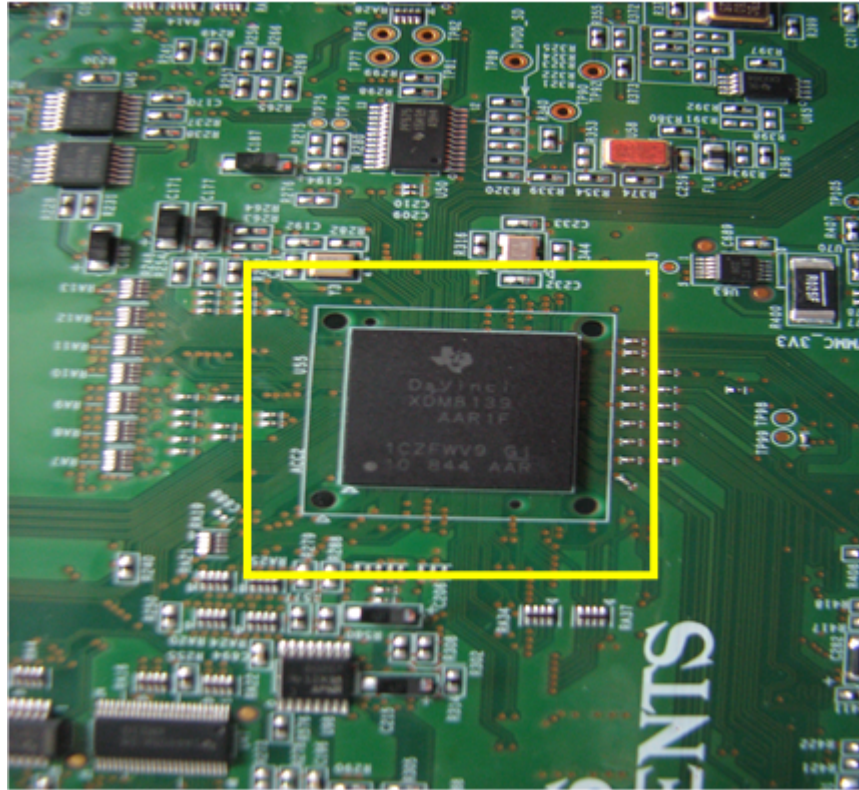
This chapter provides a functional overview of the DM388 processor, key features, and a high-level block diagram of the DM388 base EVM design. This chapter also provides information about memory and I/O mapping, GPIO mapping, and inter-integrated circuit (I²C) mapping of devices on the DM388 base EVM.

| Topic | Page |
|--|------|
| 1.1 DM388 Processor | 10 |
| 1.2 Block Diagram | 12 |
| 1.3 Key Features | 13 |
| 1.4 Functional Overview | 13 |
| 1.5 Memory and I/O Mapping | 14 |
| 1.6 GPIO Mapping..... | 15 |
| 1.7 I ² C Address Mapping | 16 |

1.1 DM388 Processor

The DM388 processor mainly consists of ARM® Cortex®-A8 RISC CPU with NEON™ technology extension, TI C674x VLIW floating-point DSP core, and high-definition video and imaging coprocessors.

Figure 1-1. DM388 Processor



The DM388 processor is a highly integrated, programmable platform that leverages DaVinci™ technology from TI to meet the processing needs of the following applications:

- IP-netcam
- Digital video server (DVS)
- High-definition webcam
- High-definition embedded video communication modules
- Remote media display (RMD) and interactive digital signage

In addition to these markets, this user's guide also addresses:

- 3G gesture control (HDI)
- Video doorbell
- Telemedicine
- Test and Measurement
- Analytics
- Instrumentation
- Inspection and machine vision
- Avionics
- Skype™ endpoint applications

An ARM Cortex-A8 RISC CPU with a NEON extension, a TI C674x VLIW floating-point DSP core, and high-definition video and imaging coprocessors provide the programmability.

The ARM Cortex-A8 32-bit RISC microprocessor with NEON floating-point extension includes:

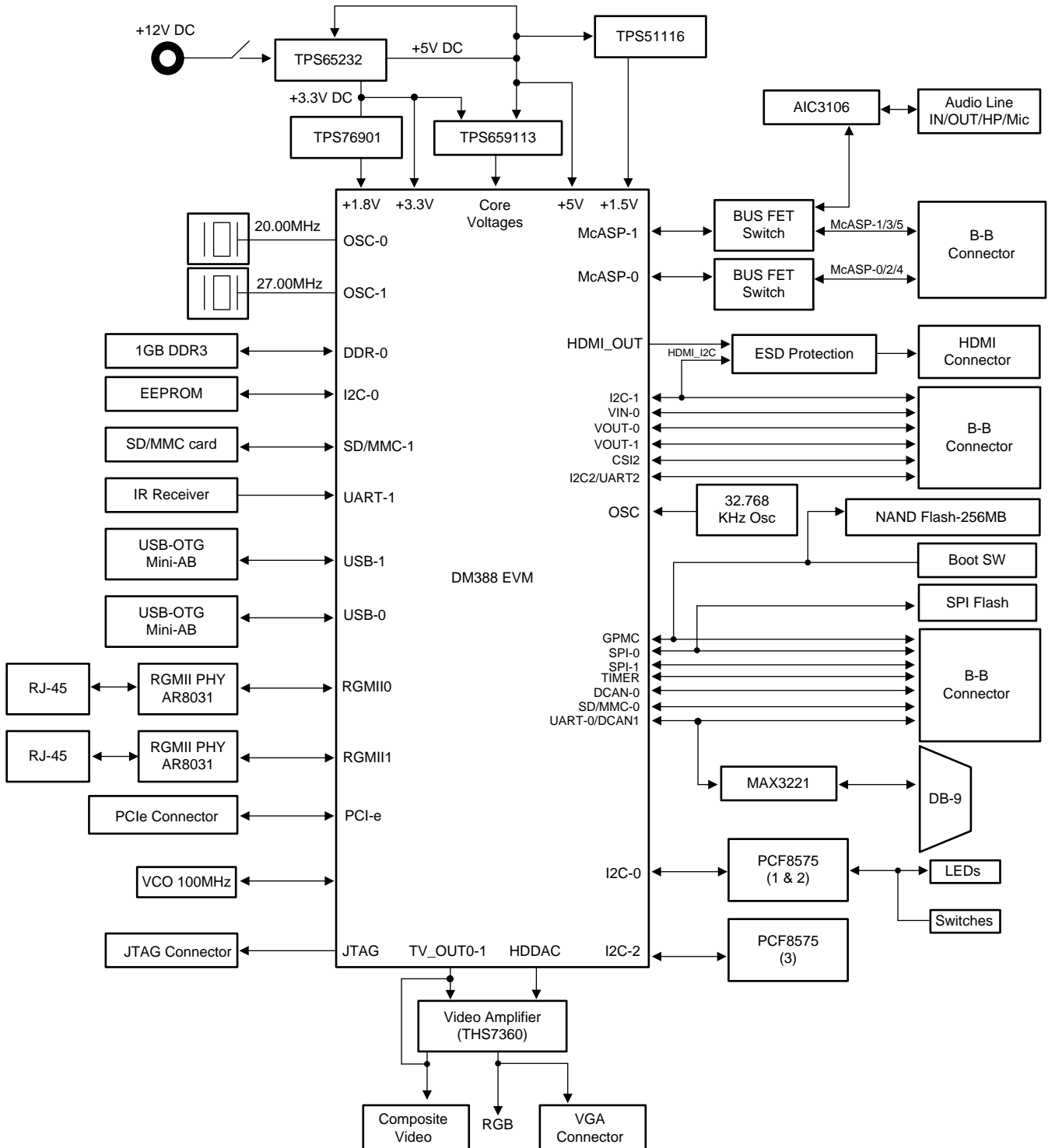
- 32KB of instruction cache
- 32KB of data cache
- 256KB of L2 cache
- 176KB of on-chip boot ROM (128KB of secure ROM and 48 KB of public ROM)
- 64KB of RAM

The DM388 processor is a 609-pin, Pb-Free BGA Package that has a 0.5-mm ball pitch with Via Channel technology to reduce the printed-circuit board (PCB) cost. The core of the ARM Cortex-A8 CPU operates at a speed of up to 1 GHz.

1.2 Block Diagram

Figure 1-2 shows the block diagram of the DM388 processor.

Figure 1-2. DM388 EVM Block Diagram



Copyright © 2016, Texas Instruments Incorporated

1.3 Key Features

The DM388 processor includes the following key features:

- High-performance digital media System-on-Chip (SoC)
- Memory
 - 32-bit DDR3 SDRAM interface (DDR0)
 - 1GB (256MB x4 chip) of memory from Micron is used on the DDR3 interface of the DM388 EVM
 - 256MB of NAND flash memory from Micron with socket for placing the NAND is used on the DM388 base EVM
- Power for the processor is derived from integrated power-management IC TPS659113.
- Analog video-out interface – Composite SD video from the TV OUT interface of the processor is available on the yellow RCA jack of the board.
- Component video out (RGB) from the HD digital-to-analog converter (DAC) interface of the processor is available on the board of the VGA connector.
- Digital video-out interface – Supported by an on-chip high-definition multimedia interface (HDMI) transmitter with a resolution and frame rate of 1080p60.
- USB interface – Dual high- and full-speed USB OTG 2.0 port with integrated PHYs
- Ethernet interface – Two RGMII ports interfaced to the MAC have a speed of 10/100/1000 Mbps.
- Stereo audio interface – Audio Line IN, Mic IN, Speaker OUT and Headset OUT
- Serial Interfaces – SD/MMC connector in 4-bit SD mode Supporting up to 48 MHz
- A 32-MB serial peripheral interface (SPI) flash memory is available on the DM388 EVM for SPI booting.
- Ultra-low-power MSP430™ microcontroller (MCU) to monitor the current flow of the DM388 device with INA226
- Dip switch to select different boot mode configurations
- Standard 20-pin JTAG debug interface
- Video, GPMC, and MCASP expansion board-to-board connectors are available to connect different application boards of the DM814x and AM387x (such as video camera, video conference, video security, and catalog application).
- PCI Express® 2.0 port with integrated PHY and one lane supports up to 5.0 GT/s
- RoHS compliant

1.4 Functional Overview

The DM388 EVM is based on the DM388 application processor from TI. The Micron memory MT41J256M8HX-125 is connected to the DM388 processor through the SSTL_15 interface. The DDR memory on the board consists of four chips (MT41J256M8HX-125) of micron memory that each have a capacity of 2Gb (256MB), and the memory has an excellent on-chip ODT for better signal quality. NAND flash memory is connected to the processor through the GPMC interface. The chip enable pin of the NAND device is connected to GPMC_nCS0 of the DM388 processor.

Analog video outputs of the EVM support composite TV outputs on the main board. The composite video outputs are available on the respective connector by default.

The DM388 base EVM supports multiple video input options from the application board through VIN0, VIN1, and the camera port. Any of the following interfaces can be active at a given point of time when the catalog application board is connected through the expansion board to the board connectors.

- S-video input digitized through video decoder (TVP5147)
- Composite video input digitized through video decoder (TVP5147)
- RGB video input digitized through video decoder (TVP7002)
- VGA input digitized through video decoder (TVP7002)
- Camera input from parallel camera interface

The EVM has a SD/MMC slot connected by using an SD/MMC1 4-bit interface on the main board. The SD/MMC2 interface is routed to the expansion connector for WLAN module on application board. The EVM has two RGMII Ethernet ports (RGMII0, RGMII1) using two external AR8031 Gigabit PHY devices that are interfaced to the processor through the RGMII interface. It has a PCIe2.0 x4 connector with integrated PHY on the DM814x processor that can be configured as Root complex or Endpoint.

The EVM supports two UART interfaces (DM388 UART, MSP430 UART) through two serial ports (DB9 connector) on the main board. The board has two USB mini-AB connectors to support a high-speed USB OTG2.0 interface. One Stereo Line IN, MIC IN, Speaker OUT, and Stereo Headset OUT audio interface is supported through the audio codec TLV320AIC3106IRGZT on the EVM. The audio codec on the EVM is controlled by the I2C0 and MCASP1 interface.

The EVM has five DIP switches for various purposes such as selecting different boot modes, GPIO toggling, video-out enable, NAND and SPI flash selection, and resetting the GPIO. The EVM also includes three reset push-button switches, one SYS_WAKE push-button switch, and three slide switches for power flow. The EVM has a standard 20-pin JTAG header (10 x 2 1.27-mm pitch) for debug interface. This JTAG port can be accessed through Code Composer Studio™ development version 4.0 and higher. The EVM is powered by a 12-V, 5-A external power supply, and a TPS659113 power-management device provides the required CPU core voltages and I/O voltages for the DM388 processor.

1.5 Memory and I/O Mapping

Table 1-1 provides the memory and I/O mapping for the DM388 EVM.

Table 1-1. Memory and I/O Map

| Device | Start Address | End Address | Size | Description |
|-------------|---------------|-------------|-------|-----------------------------------|
| GPMC | 0x0000_0000 | 0x1FFF_FFFF | 512MB | GPMC |
| On-chip ROM | 0x4000_0000 | 0x4001_FFFF | 128KB | Secure ROM |
| | 0x4002_0000 | 0x4002_BFFF | 48KB | ROM |
| On-chip RAM | 0x402F_0000 | 0x402F_FFFF | 64KB | Secure RAM |
| | 0x4030_0000 | 0x4031_FFFF | 128KB | OCMC SRAM |
| PCIe | 0x2000_0000 | 0x2FFF_FFFF | 256MB | PCIe |
| DDR | 0x8000_0000 | 0xFFFF_FFFF | 2GB | DDR |
| I2C0 | 0x4802_8000 | 0x4802_8FFF | 4KB | I2C0 peripheral registers |
| I2C1 | 0x4802_A000 | 0x4802_AFFF | 4KB | I2C1 peripheral registers |
| I2C2 | 0x4819_C000 | 0x4819_CFFF | 4KB | I2C2 peripheral registers |
| SPI0 | 0x4803_0000 | 0x4803_0FFF | 4KB | SPI0 peripheral registers |
| SPI1 | 0x481A_0000 | 0x481A_0FFF | 4KB | SPI1 peripheral registers |
| MMC | 0x481D_8000 | 0x481E_7FFF | 64KB | MMC/SD/SDIO1 peripheral registers |

1.6 GPIO Mapping

Table 1-2 lists some of the GPIOs that are used in the DM388 base EVM.

Table 1-2. GPIO Mapping

| Number | GPIO Name | Source | Purpose |
|--------|------------------------------------|-------------------|---|
| 1 | ENET_WoL_INT | GP0[12] | WoL interrupt |
| 2 | HDMI_CT_HPDP | PCF8575 DEVICE-3 | Enabling load switch |
| 3 | HDMI_LS_OE | PCF8575 DEVICE-3 | Enabling level shifter |
| 4 | DISABLE_SD | PCF8575 DEVICE-3 | SD and SF channel control of video amplifier |
| 5 | DISABLE_SF | PCF8575 DEVICE-3 | |
| 6 | BYPASS_SD | PCF8575 DEVICE-3 | To bypass LPF of SD and SF in VA |
| 7 | BYPASS_SF | PCF8575 DEVICE-3 | |
| 8 | FILTER1 | PCF8575 DEVICE-3 | Selectable filter for SF channels |
| 9 | FILTER1 | PCF8575 DEVICE-3 | |
| 10 | IO_EXP2_GP1 | PCF8575 DEVICE-2 | GPIO used in CATALOG board |
| 11 | IO_EXP2_GP2 | PCF8575 DEVICE-2 | GPIO used in CATALOG |
| 12 | MCA0_DEC_A | PCF8575 DEVICE-2 | MCASP0 decoder select Lines |
| | MCA0_DEC_B | | |
| 13 | MCA1_MUX_SEL | PCF8575 DEVICE-2 | MCASP1 MUX select lines |
| 14 | MCA0/1/3_RSEL_A MCA0/1/3_RSEL_B | PCF8575 DEVICE-2 | MCASP0/1/3_R decoder select lines |
| 15 | PCF8575_INT_IO2 | GP0[13] | Interrupt |
| 16 | MCA0_AXR9 | PCF8575 DEVICE-2 | GPIO used in VC board |
| 17 | IO_EXP2_GP3 | PCF8575 DEVICE-2 | GPIO used in VC board |
| 18 | MCA5_MUX_OE | PCF8575 DEVICE-2 | To select B/T GPIO N MCA5_AHCLKX |
| 19 | VOUT_FLD_SEL1 | PCF8575 DEVICE-3 | To provide the pin muxing option for the VOUT0_FLD and VOUT1_FLD pins |
| 20 | VOUT_FLD_SEL2 | PCF8575 DEVICE-3 | |
| 21 | GPIO_VC_1 | PCF8575 DEVICE-2 | GPIO used on the application board |
| 22 | GPIO_VC_2 | PCF8575 DEVICE-2 | |
| 23 | MCA1_MUX2_nOE | PCF8575 DEVICE-2 | MCASP1 muxing selection |
| 24 | ENET_INT | GP1[10] | Interrupt from EMAC PHY ICs |
| 25 | PCF8575_INT_IO1 | GP1[4] | Interrupt from PCF8575 (U39) |
| 26 | EN_BCK2_LS | TPS659113-GPIO 7 | Enabling load switch |
| 27 | EN_BCK3_TPS65232 | TPS659113-GPIO 2 | Enabling PCI_3V3 |
| 28 | EN_TPS51116 | TPS659113-GPIO 0 | Enabling DDR supply |
| 29 | MSP430_INT | PCF8575 DEVICE- 1 | Interrupt from MSP430 |
| 30 | TPS_INT1 | TPS659113-INT 1 | Interrupt from PMIC |
| 31 | TPS_SLEEP | PCF8575 DEVICE-1 | Sleep for TPS659113 |
| 32 | PCI_SW_RESETn | PCF8575 DEVICE-1 | PCIe reset |
| 33 | IR_REMOTE_OFF | PCF8575 DEVICE 1 | To control IR sensor |
| 34 | UART0_OFF | PCF8575 DEVICE-1 | UART0 controlling |
| 35 | EXP_ETH_RESET | PCF8575 DEVICE-1 | Ethernet reset |
| 36 | GPMC_ADD_SELn | PCF8575 DEVICE-1 | To select either GPMC or HDMI lines |
| 37 | SW_VOUT_EN | TDA04H0SK1 device | Video software enable |
| 38 | GPMC_nWP | TDA04H0SK1 device | GPMC write-protect |
| 39 | RESET_GPIO | TDA04H0SK1 device | Enabling PCI POR buffer |

1.7 I²C Address Mapping

Table 1-3 provides the address mapping for the I²C interface on the DM388 base EVM.

Table 1-3. I²C Address Mapping

| I ² C Used | Device | Address |
|-----------------------|---------------------------|---------|
| I2C0 | Audio codec | 0x18 |
| I2C0 | EEPROM | 0x50 |
| I2C0 | TPS659113 | 0x2D |
| I2C0 | I/O Expander-PCF8575 | 0x20 |
| I2C0 | PCF8575-2 | 0x23 |
| I2C2 | PCF8575-3 | 0x20 |
| I2C1 | HDMI | |
| I2C0 and I2C2 | Application board devices | |
| I2C0 | MSP430 | 0x25 |

Interfaces and Power Section of DM388 Base EVM

This chapter provides information about the interfaces and power section of the DM388 EVM.

| Topic | Page |
|--|-------------|
| 2.1 EVM Interfaces..... | 18 |
| 2.2 Clock | 25 |
| 2.3 Power | 25 |
| 2.4 DM388 EVM Muxing Options..... | 30 |
| 2.5 UART2, I2C2, and VOUT Muxing..... | 35 |

2.1 EVM Interfaces

The main interfaces of the DM388 base EVM are:

- DDR
- NAND flash
- SD/MMC
- Audio
- Ethernet
- EEPROM
- HDMI
- Composite video
- Component video
- VGA
- USB
- SPI flash
- UART
- JTAG
- PCI Express

2.1.1 DDR Interface

The DM388 supports single 32-bit mDDR/DDR2/DDR3 SDRAM interface (DDR0). The DDR3 device on the DM388 base EVM is the MT41J256M8HX-125 with configuration of 256MB x 8. Four 8-bit, 256-MB DDR3 devices are interfaced to 32-bit memory mDDR/DDR2/DDR3 SDRAM interface (DDR0). Hence a total of 1GB of DDR3 memory is interfaced DM814x/AM387x.

The DDR3 supply voltage (1.5 V) and termination voltage (0.75 V) for the DDR3 chips is generated by the synchronous buck converter (TPS51116). The reference voltage (0.75 V) is generated by a voltage divider. For the DQ and DQS lines, series termination is 0 Ω ; 22 Ω series termination is provided for DM lines. All of the address and control lines have a resistor (51 Ω) and a 0.1- μ F capacitor parallel termination.

DM0 and DQS0 are the references for write and read to the first DDR chip DDRx_0 (in each DDR interface). DM1 and DQS1 are the references for the second DDR chip (DDRx_1), DM2 and DQS2 are the references for the third DDR chip (DDRx_2), and DM3 and DQS3 are the references for the fourth DDR chip (DDRx_3). The address lines A[0:14], bank address lines BA[0:2], and the control signals are connected to each of the DDR3 chips.

2.1.2 NAND Interface

The MT29F2G16ABAEAWP:E is the NAND flash device used on the DM388 EVM. The memory configuration is 2Gb with a 16-bit databus. The NAND flash is interfaced to the GPMC port of the DM388. NAND flash has 16 multiplexed I/O lines for data and address. The address lines are selected by enabling the GPMC_ADV_N_ALE (address latch enable) to high. The chip select of NAND flash is connected to GPMC_nCS0 of the GPMC controller. A DIP switch (SW5) is provided on the DM388 base EVM to select between onboard NAND booting or NOR booting on an application board (video security). For onboard NAND booting, SW5.1 should be on. NAND IC is placed inside the 48-pin socket on the EVM.

The NAND and SPI interface selection table is silkscreened on the board for user convenience.

2.1.3 SD/MMC Interface

The SD/MMC card connector (MHC-W21-601-LF) interfaces to the SD1/MMC1 port of the DM388. The load switch (MIC94062YC6) controls the power supply to the MMC card (VMMC). VMMC is derived from the EVM_3V3 supply. The enable pin of the load switch (U70) is connected to GP1[2]. The load switch is enabled by default (resistor R266 connecting the GP1[2] pin to the EN pin of the load switch is not mounted in the default configuration).

The card detect pin of the SD/MMC connector is connected directly to the SD1_SD CD (ball G28) of the DM388. The write-protect pin of the SD/MMC connector is not connected directly to the E29 pin of the DM388; a resistor option is available if the write-protect feature is required. Write-protect is multiplexed (muxed) with {UART0_DSRn/SPI[0]_SCS[2]n/I2C[2]_SDA/SD1_SDWP/GP1[3]}. By default, the SD/MMC card is not write-protected (resistor R265 connects the pin to E29 as described in this paragraph). The E29 pin is used for I2C2 data on the application boards as well as on the base board.

2.1.4 Audio Interface

The audio codec used in the DM388 base EVM is a TLV320AIC3106 device. The device is a low-power stereo audio codec with a stereo headphone amplifier with single-ended or fully-differential configurations. The stereo audio DAC supports sampling rates from 8 kHz to 96 kHz and includes programmable digital filtering in the DAC path for 3D, bass, treble, midrange effects, speaker equalization, and de-emphasis for 32-kHz, 44.1-kHz, and 48-kHz rates.

The stereo audio analog-to-digital converter (ADC) supports sampling rates from 8 kHz to 96 kHz and is preceded by programmable gain amplifiers or AGC that can provide up to 59.5-dB analog gain for low-level microphone inputs. A highly programmable PLL is included for flexible clock generation and support for all standard audio rates from a wide range of available MCLKs, varying from 512 kHz to 50 MHz. The audio codec operates at an analog supply of 3.3 V, a digital core supply of 1.8 V, and a digital I/O supply of 3.3 V. A 24.576-MHz clock is used as a master clock for the audio codec in the EVM.

The TLV320AIC3106 is controlled by I2C0 and McASP1 interfaces. McASP1 selection involves muxing logic because only two McASP instances are available on the DM388 device. Mux logic supports all of the legacy expansion boards of DM814x, which has six instances of McASP.

McASP1 is mapped to the onboard codec, McASP1, McASP3, and McASP5. McASP1 signals MCA1_ACLKX, MCA1_AFSX, MCA1_AXR[0], and MCA1_AXR[1] are mapped to other interfaces using two ICs of Quad x [2:1] MUX SN74CB3Q3257PWR (U36 and U49). Two GPIOs from I/O expander PCF8575PWR (U50) are used to select the required interfaces (onboard codec, McASP1, McASP3, and McASP5) from McASP1 lines using MUX logic.

GPIO MCA1_MUX2_nOE from I/O expander U50 is used to enable any multiplexer IC. GPIO MCA1_MUX_SEL is used to select a particular channel (or particular interface) from the MUX that is enabled.

Table 2-1 lists the McASP1 mapping.

Table 2-1. McASP1 Mapping

| MCA1_MUX2_nOE | MCA1_MUX_SEL | MUX Selected | McASP1 is mapped to |
|---------------|--------------|--------------|-------------------------------|
| 0 | 0 | MUX2 (CH 1) | McASP5 |
| 0 | 1 | MUX2 (CH 2) | McASP3 |
| 1 | 0 | MUX1 (CH 1) | McASP1 on expansion connector |
| 1 | 1 | MUX1 (CH 2) | Onboard codec |

The default state of GPIOs from the I/O expander is high (logic 1). By default, McASP1 is mapped to the onboard codec.

NOTE: Interfaces that use McASP1, McASP3, and McASP5 cannot be tested simultaneously. Whenever McASP1 must be routed to expansion connectors to test the interfaces on the application boards, the onboard codec will be automatically disabled.

2.1.5 EMAC Interface

The EMAC software controls the flow of packet data between the device and two external Ethernet PHYs, with hardware flow control and quality-of-service (QOS) support. The EMAC software contains a 3-port gigabit switch, where one port is internally connected and the other two ports are brought out externally. Each external EMAC port supports 10Base-T (10 Mbps) and 100BaseTX (100 Mbps) in half- or full-duplex mode, or 1000BaseT (1000 Mbps) in full-duplex mode.

The EVM has two RGMII Ethernet ports (RGMII0, RGMII1) that use two external PHY AR8031 devices that are interfaced to the processor through the RGMII interface. A single MDIO interface (MDIO clock and MDIO data) is connected out to control the PHY configuration and status monitoring of RGMII0 and RGMII1. Multiple external PHYs can be controlled by the MDIO interface. The EMAC software I/Os operate at 3.3 V and are compatible with 2.5-V I/O signaling. Therefore, Ethernet PHYs with a 2.5-V I/O interface can be used.

The AR8031 requires a single, 3.3-V power supply with an I/O level of 2.5 V. On-chip regulators provide all other required voltages. The AR8031 embeds cable diagnostics test (CDT) technology on chip; this allows measuring the cable length, detecting the cable status, and identifying remote and local PHY malfunctions, bad or marginal patch cord segments, or connectors. Some of the problems that can be detected include opens, shorts, cable impedance mismatch, bad connectors, termination mismatch, and a bad transformer. The AR8031 also supports Wake-on-LAN (WoL) to detect magic packet and notify the sleeping system to wake up. The AR8031 integrates the termination R/C circuitry and the serial resistors for the line side and no external parallel termination required between PHY and magnetics on the board.

The EVM uses two external 25-MHz crystals (Y2 and Y7) to generate local clock for RGMII0 and RGMII1. The PHY uses three clock signals (RX_CLK, MDIO_CLK, and GTX_CLK) and four transmit and receive data lines. Signal RX_CLK comes from PHY to MAC, and signal GTX_CLK comes from MAC to PHY.

2.1.6 EEPROM Interfaces

The EVM uses a 256-Kb I²C CMOS Serial EEPROM CAT24C256WI-GT3 to store the board ID information. EEPROM is interfaced to the DM388 processor by using I2C0. The CAT24C256 device is a 256-Kb Serial CMOS EEPROM, internally organized as 512 pages of 64 bytes each. The device features a 64-byte page write buffer and supports the standard (100 kHz) and fast (400 kHz) I²C protocol.

The write-protect pin (WP) of EEPROM has been pulled low internally by default. If the EEPROM memory must be write-protected, pins 7 and 8 of J19 must be shorted by using a jumper.

Table 2-2 lists the board ID information that is stored. This information is read-only data and should be used to get complete details of the board.

Table 2-2. Board Information

| Field Name | Size (in Bytes) | Field Contents |
|------------------------|-----------------|---|
| Header | 4 | 0xAA 0x55 0x33 0xEE |
| Board name | 8 | 813X_EVM |
| Version | 4 | B001 (Alphabet) = Beta.001 PCB Version B – Rev B Board 001 : Batch No |
| BOM version | 2 | XX (Number) |
| ECN version | 2 | XX (Number) |
| Test package version | 2 | XX (Number) |
| Batch code | 4 | WW YY (2 digits for week and 2 digits for year) |
| Board serial number | 4 | XXXX (4-digit number) |
| Configuration option | 18 | None |
| Processor mount option | 1 | 0x01: Socketed 0x02: Soldered |
| Reserved | 32719 | None |

2.1.7 HDMI

The DM388 processor includes an HDMI transmitter for digital video and audio data to display devices. The HDMI interface consists of a digital HDMI transmitter (HDMI 1.3a-compliant transmitter) core with a TMDS encoder, a core wrapper with interface logic and control registers, and a transmit PHY. An HDMI connector is connected to the processor through ESD protection device (TPD12S016PWR [U4]). The HDMI is controlled by the I2C1 interface of the DM388. The HDMI has three differential pairs of data lines and one differential pair of clock lines.

The HDMI has the following features:

- Hot-plug detection
- Supports up to a 165-MHz pixel clock
 - 1920 × 1080p at 75 Hz with 8-bit per component color depth
 - 1600 × 1200 at 60 Hz with 8-bit per component color depth
- Support for deep-color mode:
 - 10-bit per component color depth up to 1080p at 60 Hz (maximum pixel clock = 148.5 MHz)
 - 12-bit per component color depth up to 720p and 1080i at 60 Hz (maximum pixel clock = 123.75 MHz)
- The TMDS clock to the HDMI-PHY is up to 185.625 MHz.

NOTE: The GPMC_A22 signal is internally muxed with CE_REMOTE_IN on pin N2, and the GPMC_A23 signal is muxed with HDMI_HP_IN on R8 of the DM814x processor. GPMC lines or HDMI lines are selected through switch IC U98 (SN74CB3Q3257PWR) using a GPIO signal (GPMC_ADD_SELn) from U39 (PCF8575PWR). By default, HDMI lines are selected and used in the board.

2.1.8 Video DAC Interface

The DM388 processor supports one SD DAC module (AVDAC1BGTVV4) from the OMAP4430 and a GS70 3-channel HD DAC. The SD DAC module supports composite video standard with sampling rates up to 60 MSPS. The composite video signal (TV_OUT0) is connected directly from the processor to RCA jack J8. An option is available to pass the TV_OUT0 signal through video amplifier THS7360IPW (U5).

The HD DAC consists of three channels of 10-bit current-steering DACs. The output of the DAC can drive the composite video signal to 37.5-Ω load directly. The HD DAC also contains an internal band gap to provide a low-noise reference voltage to the video DAC. The HD DAC supports sampling rates up to 150 MSPS.

HD DAC signals HDDAC_A, HDDAC_B, and HDDAC_C from the processor are connected to component video connectors J7 (Green), J9 (Blue), and J6 (Red) through video amplifier THS7360IPW (U5). HD DAC signals from U5 are also routed to VGA connector P1. The VGA control signals and the sync signals are routed to P1 through an ESD protection device TPD7S019-15DBQR (U7). The control signals required for U5 are taken from I/O expander PCF8575PWR (U14) by using I2C2 lines.

2.1.9 High-Speed USB Interface

The USB controller provides a low-cost connectivity solution for numerous consumer portable devices by providing a mechanism for data transfer between USB devices with a line and bus speed of up to 480 Mbps. The USB subsystem of the DM388 device has two independent USB 2.0 modules (USB0 and USB1) built around two OTG controllers; the OTG supplement feature (support for a dynamic role change) is also supported. Each port can support a dual-role feature allowing for additional versatility that enables operation capability as a host or a peripheral. Both ports have identical capabilities and operate independently.

Each USB controller is built around the Mentor® USB OTG controller and the TI GS70 PHY. Each USB controller has a user-configurable 32KB of endpoint FIFO, and has the support for 15 transmit endpoints and 15 receive endpoints in addition to endpoint 0. The USB uses the CPPI 4.1 DMA to accelerate data movement through dedicated DMA hardware. The two USB modules share the CPPI DMA controller and accompanying queue manager, interrupt pacer, power-management module, and PHY and UTMI clock. The PHY does not have a built-in charge pump and requires an external power source to source the 5-V VBUS power. The PHY has a built-in charge detection for device mode and a control capability for host applications for implementing an external charge detection capability.

For an OTG controller, the procedure of the controller to assume the role of a host or a device is governed by the state of the ID pin. Also, the procedure is controlled by the USB cable connector type. The DM388 device bonds out these ID pins and allows the control to be handled directly from the connector (for example, the USB controller assumes the role based on the cable end inserted into the mini A/B connector [J3 and J4] on the EVM). A jumper option is available on the EVM to ground the USB_ID pin for USB0 (J12) and USB1 (J13). This jumper option enables the EVM to be used in Host Only mode.

2.1.10 SPI Flash Interface

The SPI flash interface is a high-speed synchronous serial I/O port that allows a serial bit stream (4 to 32 bits) to be shifted in and out of the device at the programmed bit-transfer rate. The DM388 processor supports four SPIs. The SPI0 signal from DM388 controls SPI flash memory device. A 32-Mb SPI flash memory (W25X32VFIG) on the EVM provides SPI booting. For SPI booting, SW5.2 must be on and SW5.1 must be off.

2.1.11 UART Interface

The UART performs serial-to-parallel conversions on data received from a peripheral device, and performs parallel-to-serial conversions on data received from the CPU. There are three UART interfaces (UART0, UART1, and UART2) available for the DM388. One UART interface is available for the MSP430 on the EVM. UART0 on the base EVM is selected by enabling the UART0_OFF signal to low. UART0 is also routed to application boards through board-to-board connectors on the EVM. The UART interface (UART0) can be used on the base EVM or the application boards. UART0 supports a baud rate of up to 3.6 Mbps. UART1 is connected to the IR receiver on the EVM. The IR receiver is selected by enabling the IR_REMOTE_OFF signal to LOW.

2.1.12 I²C Interface

The device includes three I²C modules that provide an interface to other devices that are compliant with version 2.1 of the Philips Semiconductors Inter-IC bus (I²C-bus) specification. External components attached to this 2-wire serial bus can transmit and receive 8-bit data to and from the device through the I²C module.

The I²C port supports the following features in the DM388:

- Standard and fast modes from 10 to 400 kbps
- Noise filter to remove noise 50 ns or less
- Seven- and 10-bit device addressing modes
- Multimaster transmitter and slave receiver mode
- Multimaster receiver and slave transmitter mode
- Combined master transmit and receive and receive and transmit modes
- Two DMA channels, one interrupt line
- Built-in FIFO (32 byte) for buffered read or write

I²C0 of DM388 is being shared across devices like the audio codec, I/O expanders, MSP430 MCU, TPS659113, and EEPROM. I²C2 is shared across the I/O expander and VGA connector. Also, I²C0 and I²C2 are routed to the board-to-board expansion connector to support the interfaces on the application board. The HDMI interface uses I²C1 signals.

2.1.13 Debug Interface

The EVM supports two JTAG debug interfaces: DM388-JTAG and MSP430-JTAG. Debug connectors are used to test, debug, execute, trace, and download the program to the target unit. The following two JTAG connectors are on the board:

- 14-pin MSP430-JTAG header
- 20-pin DM388-JTAG Header

2.1.14 PCI Express Interface

PCIe is a serial-based technology that uses low-voltage differential signaling (LVDS) to reduce the number of data-signal lines and high-frequency clock signals in a point-to-point interconnect arrangement between two devices. PCIe also eliminates multiple host presences on the same bus.

The PCIe subsystem contains the DesignWare® core (DWC), PCIe dual-mode (DM) core, and SerDes PHY. The DM core operates in endpoint (EP) mode or root-complex (RC) port mode. The core supports a single in-port and a single out-port. The operating mode of the PCIe core is set to EP or RC based on: the value sampled from the BOOTMODE[4:0] pins, use as a secondary boot loader, or application software by configuring the PCIE_CFG [PCIE_DEVTTYPE] register. The DM core can be switched between modes at run time by applying a power-on reset.

PCIe supports high-speed data transfer at rates of up to 5.0 Gbps per lane per direction. PCIe on the EVM uses PCI_3V3 and IP_EVM_12V as the supply voltages. The clock required for clocking data and PHY functional clocks are generated by the PHY through the supplied external input 100-MHz differential clock from the device (U56 [CDCM61002RHBR]) on the EVM.

Table 2-3 shows the I²C addresses if the power monitors.

Table 2-3. I²C Power-Monitor Addresses

| Supply Number | Supply Name | Address |
|---------------|--------------|---------|
| 1 | PLL_1V8 | 1000000 |
| 2 | HDMI_CSI_1V8 | 1000001 |
| 3 | CVDD_ARM | 1000010 |
| 4 | VDDQ_DM_1V5 | 1000011 |
| 5 | DVDD | 1000100 |
| 6 | VDDA_1V8 | 1000101 |
| 7 | DVDD_GPMC | 1000110 |
| 8 | DVDD_C | 1000111 |
| 9 | CORE_VDD | 1001000 |
| 10 | CVDD_DSP | 1001001 |
| 11 | VMMC | 1001010 |

2.2 Clock

The EVM has the following clocks:

- Y1 – Provides 32.768-kHz real-time clock (RTC) to the power-management IC (TPS659113).
- Y2 – Provides 25-MHz clock for Ethernet PHY (RGMII0).
- Y3 – Provides 20-MHz device (DEV) clock that generates the majority of the internal reference clocks for the DM388.
- Y4 – Provides 32.768-kHz auxiliary clock to the MSP430 MCU.
- Y5 – Provides 25-MHz clock to generate differential clock for the PCI and SerDes CLK.
- Y6 – Provides 27-MHz auxiliary (AUX) clock that can be used as a source for the audio, video PLLs, or both.
- Y7 – Provides 25-MHz clock for Ethernet PHY (RGMII1).
- U58 – Provides 32768-Hz clock input that is provided at the CLKIN32 pin to serve as a reference clock in place of the RTCDIVIDER clock for the following modules:
 - RTC
 - GPIO0, GPIO1, GPIO2, and GPIO3
 - TIMER1, TIMER2, TIMER3, TIMER4, TIMER5, TIMER6, and TIMER7
 - SYNCTIMER

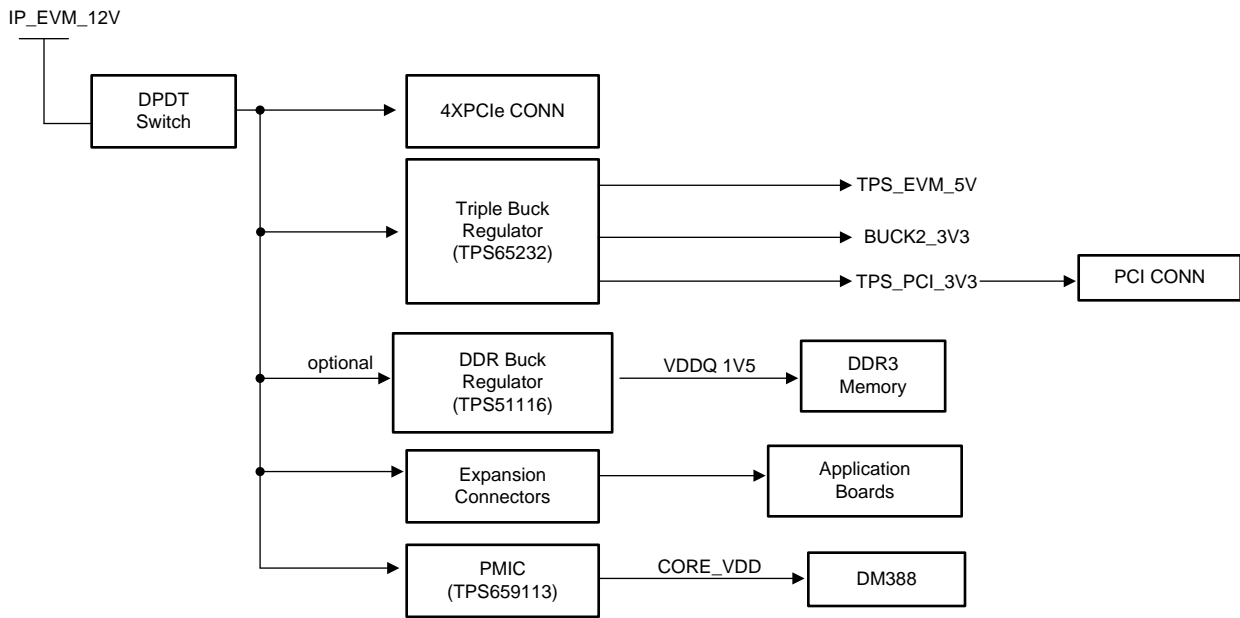
2.3 Power

The main power input for the EVM system is provided by using an external 12-V universal adapter. The other voltages required for the main board are derived by using onboard regulators on the main board. Four major switching regulators are used to derive power for the DM388 EVM.

- TPS65232 (U16) – Gives TPS_EVM_5V0, BCK2_3V3, PCI_3V3
- TPS659113 (U25) – Gives power to DM388
- TPS51116 (U46) – DDR power supply

Figure 2-2 shows the 12-V supply circuitry.

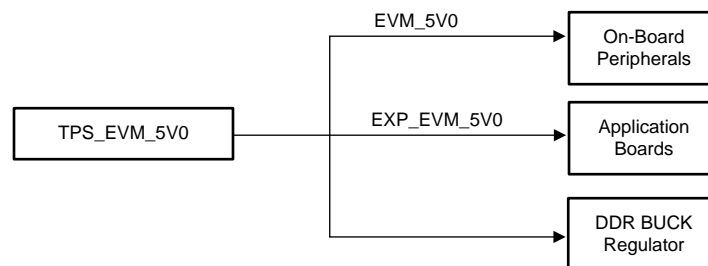
Figure 2-2. IP_EVM_12V



Copyright © 2016, Texas Instruments Incorporated

Figure 2-3- shows the TPS_EVM_5V0 supply circuitry.

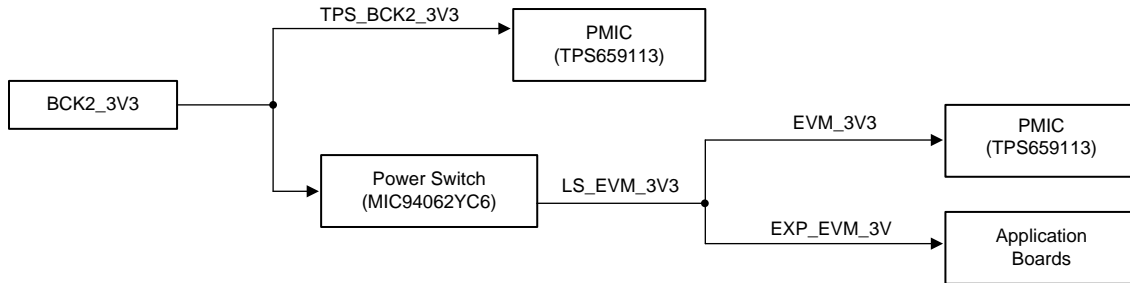
Figure 2-3. TPS_EVM_5V0



Copyright © 2016, Texas Instruments Incorporated

Figure 2-4 shows the BCK2_3V3 supply circuitry.

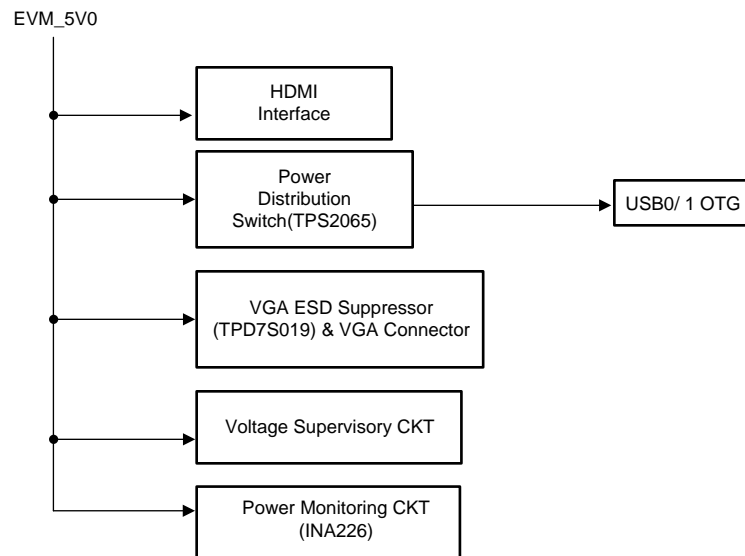
Figure 2-4. BCK2_3V3



Copyright © 2016, Texas Instruments Incorporated

Figure 2-5 shows the EVM_5V0 supply circuitry.

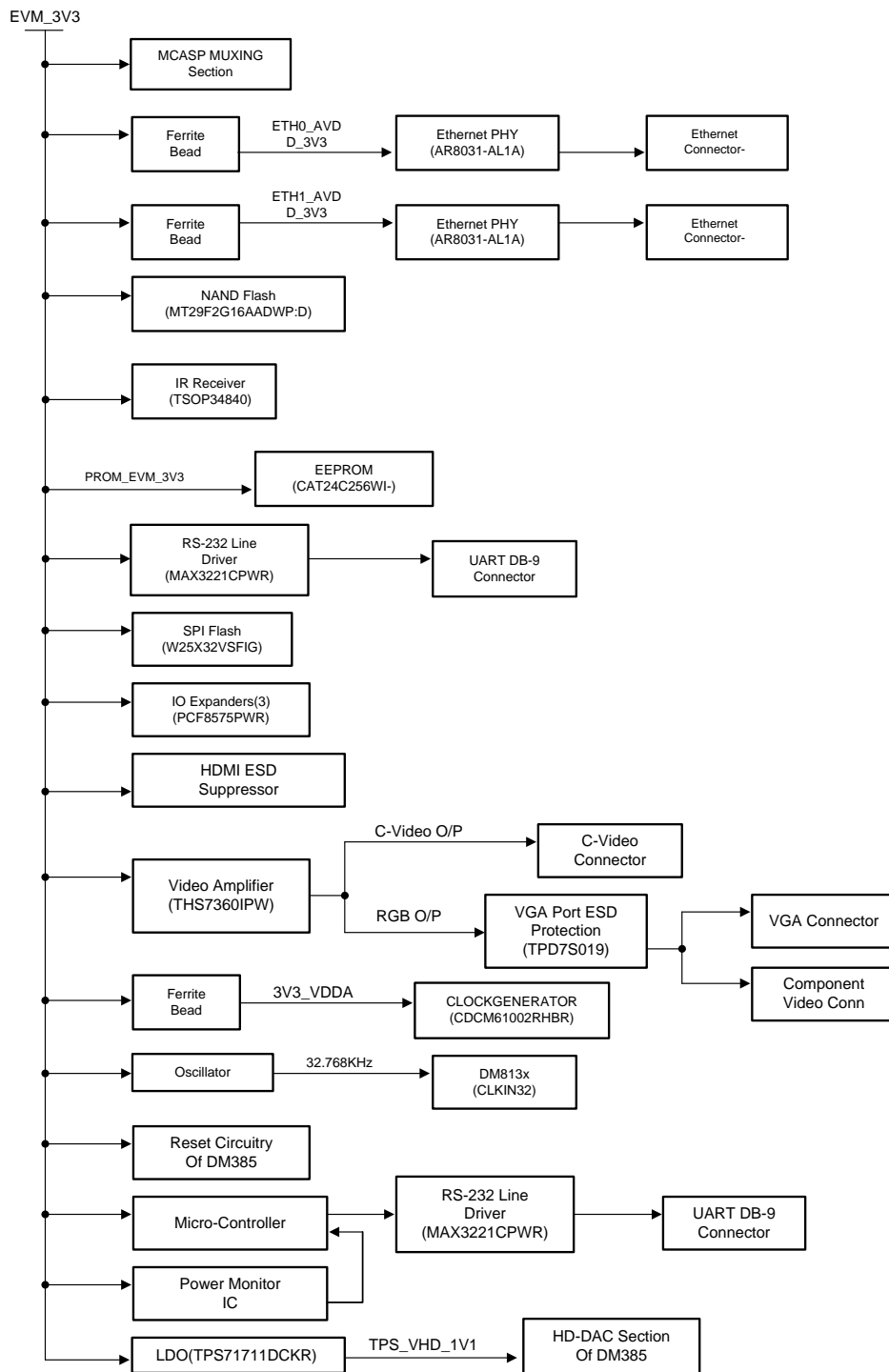
Figure 2-5. EVM_5V0



Copyright © 2016, Texas Instruments Incorporated

Figure 2-6 shows the EVM_3V3 supply circuitry.

Figure 2-6. EVM_3V3



Copyright © 2016, Texas Instruments Incorporated

2.3.1 DM388 Power From PMIC

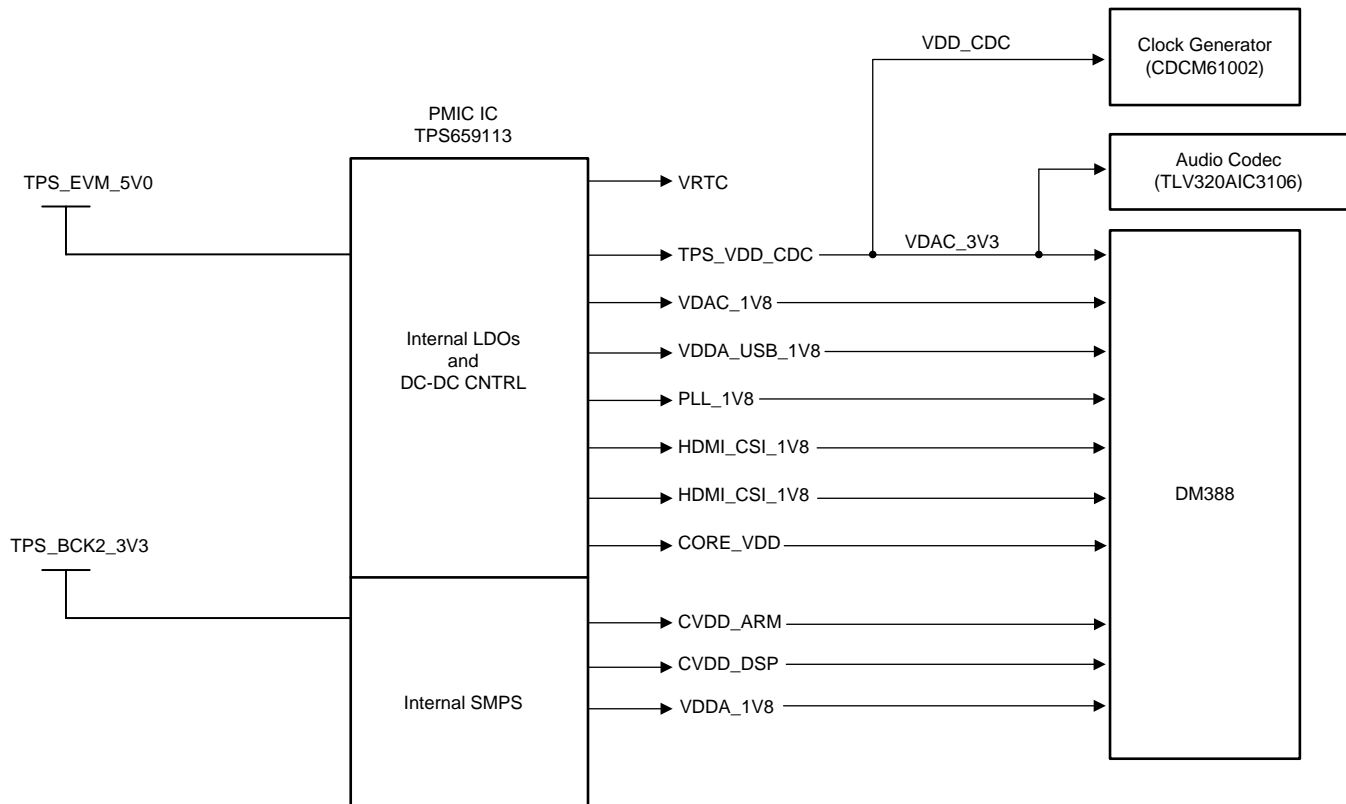
The following list provides the power requirements of the DM388 processor that the power-management IC (TPS659113 [U25]) generates and distributes.

- DM388 I/O supply: TPS_VDDA_1V8-1.8V
- DM388 core supply
 - VDD1(CVDD_ARM)-1.2V
 - VDD2 (CVDD_DSP)-1.2V
 - CORE_VDD-1.2V
- DM388 auxiliary supplies
 - DVDD_GPMC-3.3V
 - DVDD-3.3V
 - DVDD_C-3.3V
 - DVDD_SD-3.3V
 - VDDA_1V8-1.8V
 - HDMI_CSI_1V8-1.8V
 - VDDA_USB_1V8-1.8V
 - VDDQ_1V5-1.5V
- DM388 VDAC supply
 - VDAC_3V3-3.3V
 - VDAC_1V8-1.8V
- PLL supply PLL_1V8-1.8V

The input supply to the power manager is from the TPS_EVM_5V0 and TPS_BCK2_3V3 to generate different voltage rails. The TPS659113 is controlled by the I2C0 interface of the DM388 processor and the address is 0X2D.

Figure 2-7 shows the PMIC circuitry.

Figure 2-7. PMIC Circuitry



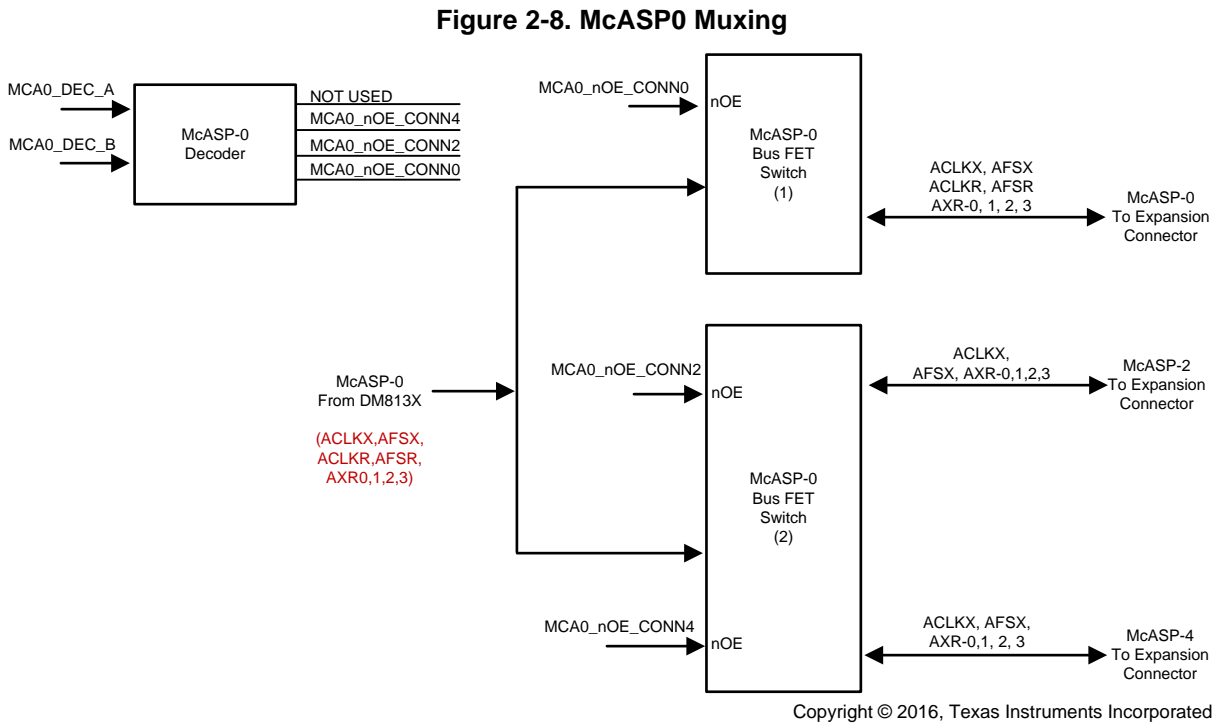
Copyright © 2016, Texas Instruments Incorporated

2.4 DM388 EVM Muxing Options

On the DM388 base Board EVM, McASP muxing has been implemented because of the shortage of McASP interfaces compared to Centaurus. In Centaurus, six McASP (McASP[0:5]) interfaces are available, and in the DM388 only two McASP (McASP[0:1]) interfaces are available. Because the DM388 EVM supports four other application boards that use the McASP[0:5], the muxing option is given for the available McASPs on the DM388 EVM.

2.4.1 McASP0 Muxing

Figure 2-8 shows the muxing of McASP0.



The McASP0 signals MCA0_ACLKX, MCA0_AFSX, and MCA0_AXR[0:3] are mapped using MUXs, and MCA0_AFSR and MCA0_CLKR are directly connected to expansion connector.

To map McASP0 exclusively to one of the McASPs (McASP0, McASP2, McASP4), a decoder has been used with the controlling inputs taken from the I/O expander GPIOs (MCA0_DEC_A and MCA0_DEC_B). By configuring these two GPIOs, McASP0 mapping is achieved (see Table 2-4).

The default state of GPIOs from the I/O expander is high (logic 1). By default, McASP0 is mapped to McASP0.

Table 2-4 shows the McASP0 mapping.

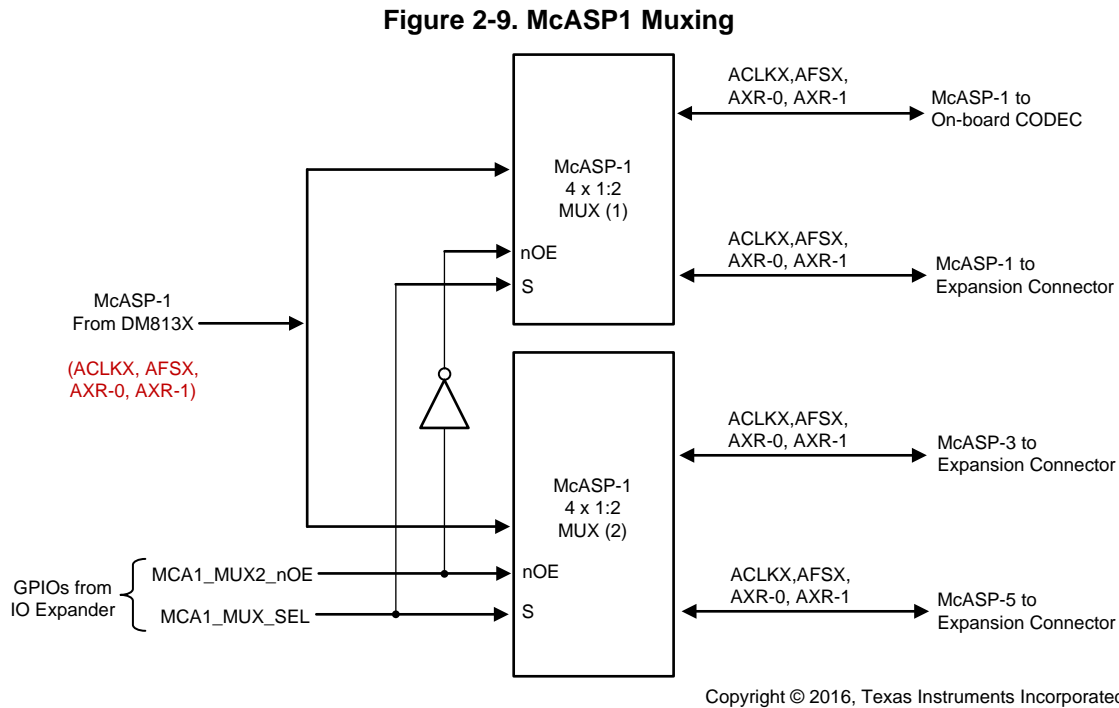
Table 2-4. McASP0 Mapping

| MCA0_DEC_B | MCA0_DEC_A | Output From Decoder | Mux Selected | McASP0 is Mapped to |
|------------|------------|-----------------------|-------------------------|---------------------|
| 0 | 0 | Not used | — | — |
| 0 | 1 | MCA0_nOE_CONN4 is LOW | BUS FET SWITCH-2 (CH 2) | McASP4 |
| 1 | 0 | MCA0_nOE_CONN2 is LOW | BUS FET SWITCH-2 (CH 1) | McASP2 |
| 1 | 1 | MCA0_nOE_CONN0 is LOW | BUS FET SWITCH-1 | McASP0 |

NOTE: Interfaces on the application boards that use McASP0, McASP2, or McASP4 cannot be tested at the same time.

2.4.2 McASP1 Muxing

Figure 2-9 shows the McASP1 muxing.



McASP1 is mapped to the onboard codec, McASP1, McASP3, McASP5. McASP1 signals MCA1_ACLKX, MCA1_AFSX, MCA1_AXR[0], and MCA1_AXR[1] are mapped to other interfaces using two 4 x [2:1] MUXs. Two GPIOs from the I/O expander are used to select the required interfaces (codec, McASP1, McASP3, McASP5) from McASP1 lines using a MUX.

GPIO MCA1_MUX2_nOE from the I/O expander is used to enable any multiplexer IC, and GPIO MCA1_MUX_SEL is used to select a particular channel (or particular interface) from the MUX that is enabled.

Table 2-5 provides the McASP1 muxing.

Table 2-5. McASP1 Muxing

| MCA1_MUX2_nOE | MCA1_MUX_SEL | MUX Selected | McASP1 is Mapped to |
|---------------|--------------|--------------|-------------------------------|
| 0 | 0 | MUX2 (CH 1) | McASP5 |
| 0 | 1 | MUX2 (CH 2) | McASP3 |
| 1 | 0 | MUX1 (CH 1) | McASP1 on expansion connector |
| 1 | 1 | MUX1 (CH 2) | Onboard codec |

The default state of GPIOs from the I/O expander is high (logic 1). By default, McASP1 is mapped to the onboard codec.

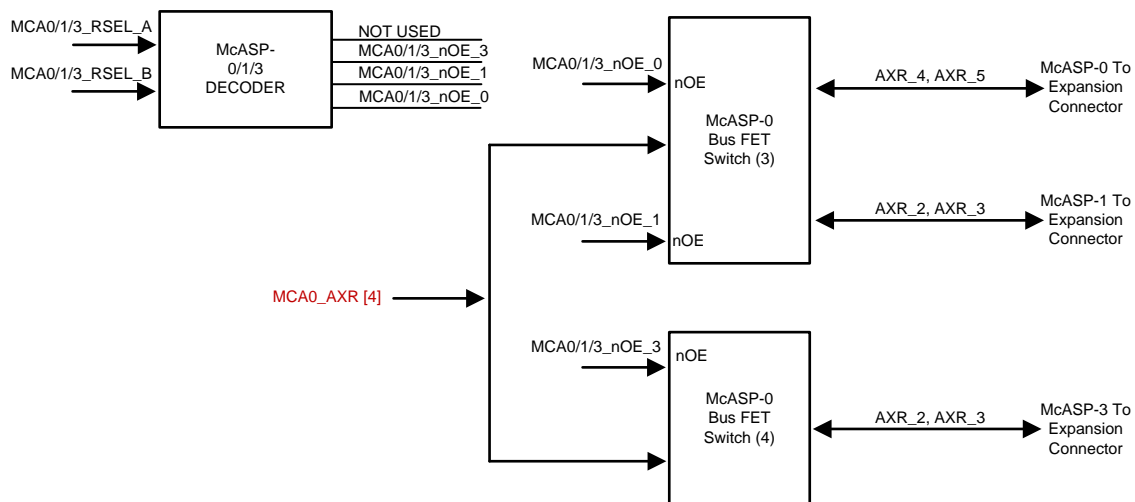
NOTE: Interfaces that use McASP1, McASP3, McASP5 cannot be tested at the same time. When McASP1 must be routed to expansion connectors to test the interfaces on the application boards, the onboard codec must be disabled.

2.4.3 McASP0_AXR [4:5] Lines Muxing

In Centaurus, McASP0 has five data channels (MCA0_AXR[0:9]), McASP1 has two data channels (MCA1_AXR[0:3]), and McASP3 also has two data channels (MCA3_AXR[0:3]). In the DM388, McASP0 has three data channels (MCA0_AXR[0:5]) and McASP1 has one data channel (MCA1_AXR[0:1]). Because McASP3 is muxed with McASP1 signals and MCA0_AXR[4:5], MCA1_AXR[2:3], and MCA3_AXR[2:3] are used on the application boards, hence the EVM provides one more muxing option to select between MCA0_AXR[4:5], MCA1_AXR[2:3], and MCA3_AXR[2:3].

Figure 2-10 shows the McASP0 muxing.

Figure 2-10. McASP0 Muxing



Copyright © 2016, Texas Instruments Incorporated

MCA0_AXR[4:5] is used as an input to MUXs, and a decoder is used to select one interface at a time. Input to the decoder is taken from the I/O expander. The following GPIOs are HIGH by default and map the inputs to McASP0_AXR[4:5] that are connected to expansion connector.

- MCA0_RSEL_A
- MCA1_RSEL_A
- MCA2_RSEL_A
- MCA0_RSEL_B

- MCA1_RSEL_B
- MCA3_RSEL_B

Table 2-6 lists the selections.

Table 2-6. McASP0_AXR Muxing

| MCA0/1/3_RSEL_B | MCA0/1/3_RSEL_A | Output from decoder | MUX selected | MCA0_AXR[4:5] is Mapped to |
|-----------------|-----------------|---------------------|-------------------------|----------------------------|
| 0 | 0 | Not used | — | — |
| 0 | 1 | MCA0/1/3_nOE_3 | BUS FET SWITCH-4 | MCA3_AXR[2:3] |
| 1 | 0 | MCA0/1/3_nOE_1 | BUS FET SWITCH-3 (CH 2) | MCA1_AXR[2:3] |
| 1 | 1 | MCA0/1/3_nOE_0 | BUS FET SWITCH-3 (CH 1) | MCA0_AXR[4:5] |

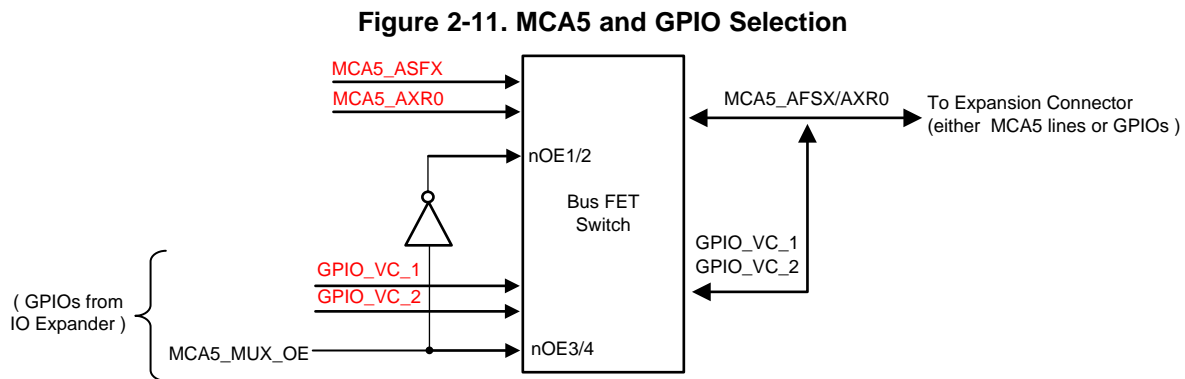
NOTE: McASP0 and McASP1 muxing must be considered before selecting the MCA0_AXR[4:5] lines. Ensure that McASP0 lines are selected by using other muxing schemes before opting for MCA0_AXR[4:5] lines to McASP0. Similarly, before opting MCA0_AXR[4:5] lines that are mapped to MCA1_AXR[2:3] and MCA3_AXR[2:3], ensure that McASP1 and McASP3 are selected using other muxing schemes.

2.4.4 McASP5 and GPIO Selection for VC Board

The McASP5 signals (MCA5_AFSX and MCA5_AXR0) are used as GPIOs on the video conference board. McASP5 signals are mapped from McASP1 on the DM388 EVM, and McASP1 lines on the DM388 cannot be configured as GPIOs. As a result, DM388 EVM provides a muxing option of McASP5 lines (MCA5_AFSX and MCA5_AXR0) that are mapped from McASP1 and two GPIOs (GPIO_VC_1 and GPIO_VC_2) from the I/O expander. The output (MCA5_AFSX_EXP and MCA5_AXR0_EXP) from the MUX stage is routed to the expansion connector.

When the VCONF board is plugged in, signals on the expansion connectors are used as GPIOs. These signals can be used as McASP5 lines when other application boards are plugged in.

Figure 2-11 shows the selection of either MCA5 lines or GPIOs from the I/O expander by using a GPIO (MCA5_MUX_OE) from the same I/O expander.



Copyright © 2016, Texas Instruments Incorporated

Table 2-7 shows the selection.

Table 2-7. Channel Selection

| MCA5_MUX_OE | Channel Selected | Signals on Expansion Connector |
|-------------|------------------|--------------------------------|
| 1 | CH 1 | MCA5_AFSX and MCA5_AXR0 |
| 0 | CH 2 | GPIO_VC_1 and GPIO_VC_2 |

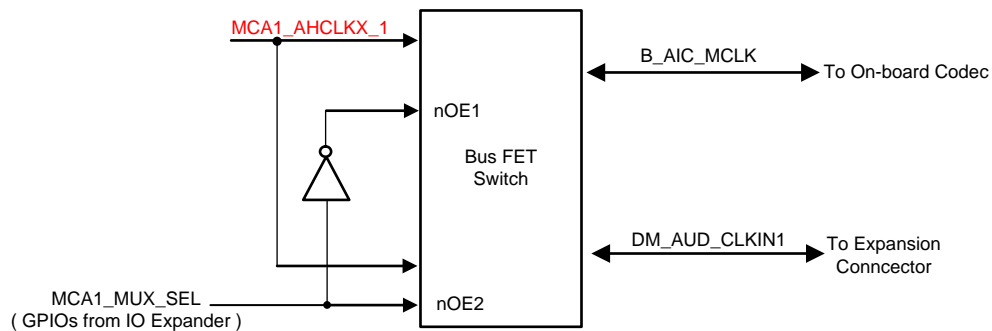
By default, MCA5_AFSX and MCA5_AXR0 are available on the expansion connector if McASP5 is enabled in the McASP1 muxing scheme.

2.4.5 MCA1_AHCLKX Muxing

MCA1_AHCLKX is used in the Centaurus EVM to provide an option to get MCLK for the onboard codec or it will be routed to the expansion connector. In the DM388, ensure that MCA1_AHCLKX provides the same option as it does in the Centaurus EVM.

GPIO MCA1_MUX_SEL from the I/O expander is used to select the required output (see Figure 2-12).

Figure 2-12. Required Output Selection



Copyright © 2016, Texas Instruments Incorporated

Table 2-8 lists the channel selection and output.

Table 2-8. Channel Selection and Output

| MCA1_SEL_OE | Channel Selected | OUTPUT |
|-------------|------------------|---------------------------|
| 1 | CH 1 | B_AIC_MCLK (codec) |
| 0 | CH 2 | DM_AUD_CLKIN1 (expansion) |

By default, MCA1_AHCLKX is connected to the onboard codec (B_AIC_MCLK) because the GPIO from the I/O expander is high.

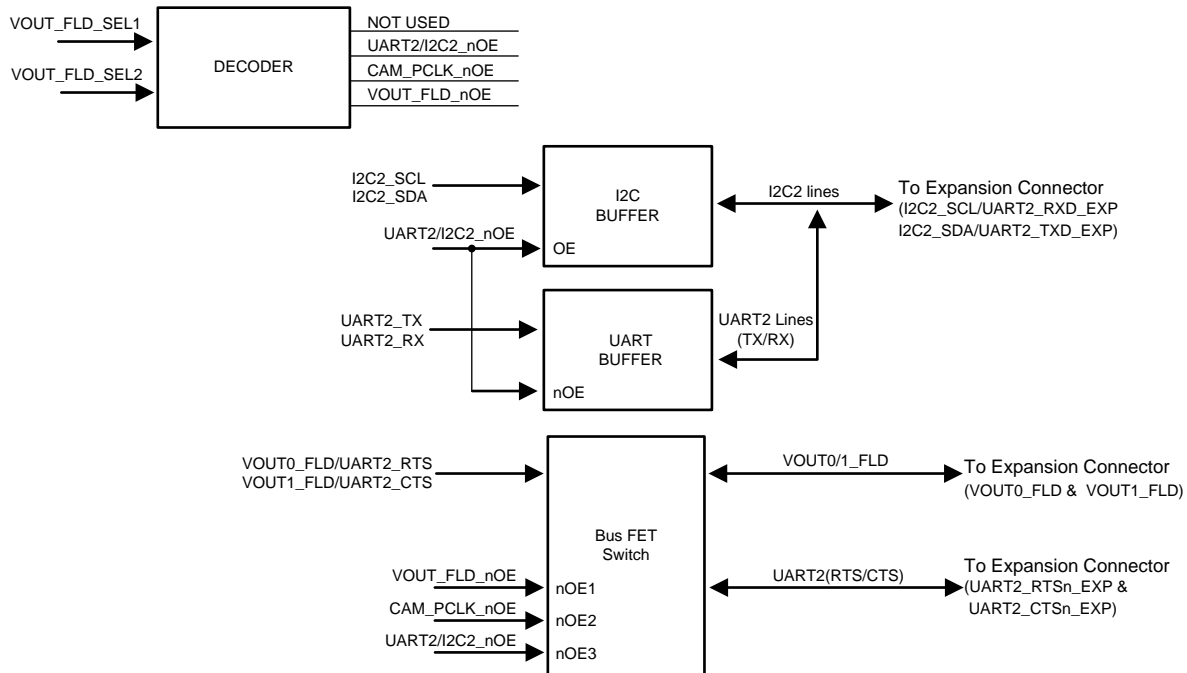
2.5 UART2, I2C2, and VOUT Muxing

In Centaurus, UART3 (TX and RX) and I2C2 (SCL and SDA) are pin multiplexed. These signals are connected to the expansion connector and are used on the application boards as UART3 or as I2C2 signals. However, the UART3 interface is not available on the DM388. Instead of UART3, UART2 signals are used on the DM388 device. Because the I2C2 signals are not pin multiplexed with UART2 signals, the DM388 EVM provides an option to select UART2 (TX and RX) or I2C2 (SCL and SDA) and route the selected signals to the expansion connector.

The UART3 (RTS and CTS) signals are pin multiplexed with UART0 (RIN and DTRn) in Centaurus. UART2 is used instead of UART3 on the DM388, and UART2 (RTS and CTS) lines are pin multiplexed with VOUT0 and VOUT1 lines.

The UART2_RTS signal is pin muxed with VOUT0_FLD and CAM_PCLK, and the UART2_CTS signal is pin muxed with VOUT1_FLD. The EVM provides a logic using a MUX, a buffer, and a decoder to get UART3 or I2C2 and VOUT0 and VOUT1 (see [Figure 2-13](#)).

Figure 2-13. UART2, I2C2, and VOUT Muxing



Copyright © 2016, Texas Instruments Incorporated

[Table 2-9](#) lists the I/O expander GPIOs (VOUT_FLD_SEL1 and VOUT_FLD_SEL2) that are used as input-to-decoder.

By default, inputs to the decoder are high, so VOUT_FLD_nOE = LOW is selected and VOUT0_FLD and VOUT1_FLD signals are routed to the expansion connector. Because all other outputs from the decoder are high, when UART2 and I2C2_nOE are high, the I2C2 buffer is enabled. So, I2C2, VOUT0_FLD, and VOUT1_FLD lines will be enabled by default.

When UART2 and I2C2_nOE are LOW, the UART2 signals (TX, RX, RTS, and CTS) are available on the expansion connectors. I2C2 and VOUT lines are not available whenever UART2 signals are selected.

Table 2-9. I/O Expander GPIOs

| VOUT_FLD_SEL2 | VOUT_FLD_SEL1 | Output From Decoder | Device Selected | OUTPUT |
|---------------|---------------|---------------------|--|--|
| 0 | 0 | Not used | — | — |
| 0 | 1 | UART2/I2C2_nOE | Bus FET switch (CH 3) | UART2 signals. I2C2 buffer is disabled. |
| 1 | 0 | CAM_PCLK_nOE | I ² C buffer and VOUT bus FET switch (CH 2) | VOUT0_FLD as i/p (CAM_PCLK). I2C2 buffer is enabled. |
| 1 | 1 | VOUT_FLD_nOE | I ² C buffer and VOUT bus FET switch (CH 1) | VOUT0_FLD and VOUT1_FLD. I2C2 buffer is enabled. |

Physical Description

This chapter provides information about the physical characteristics of the board.

| Topic | Page |
|--|------|
| 3.1 DM388 EVM Layout | 38 |
| 3.2 Connectors, Switches, Headers, and Jumpers | 39 |
| 3.3 Test Points | 64 |
| 3.4 Expansion Connector | 66 |

3.1 DM388 EVM Layout

The DM388 base EVM has the following dimensions:

- 317.5 mm × 187.96 mm
- 10-layer PCB
- 2-cm height (completed PCB)

Figure 3-1 shows the top view of the DM388.

Figure 3-1. TMDXEVM388 Base EVM (Top View)

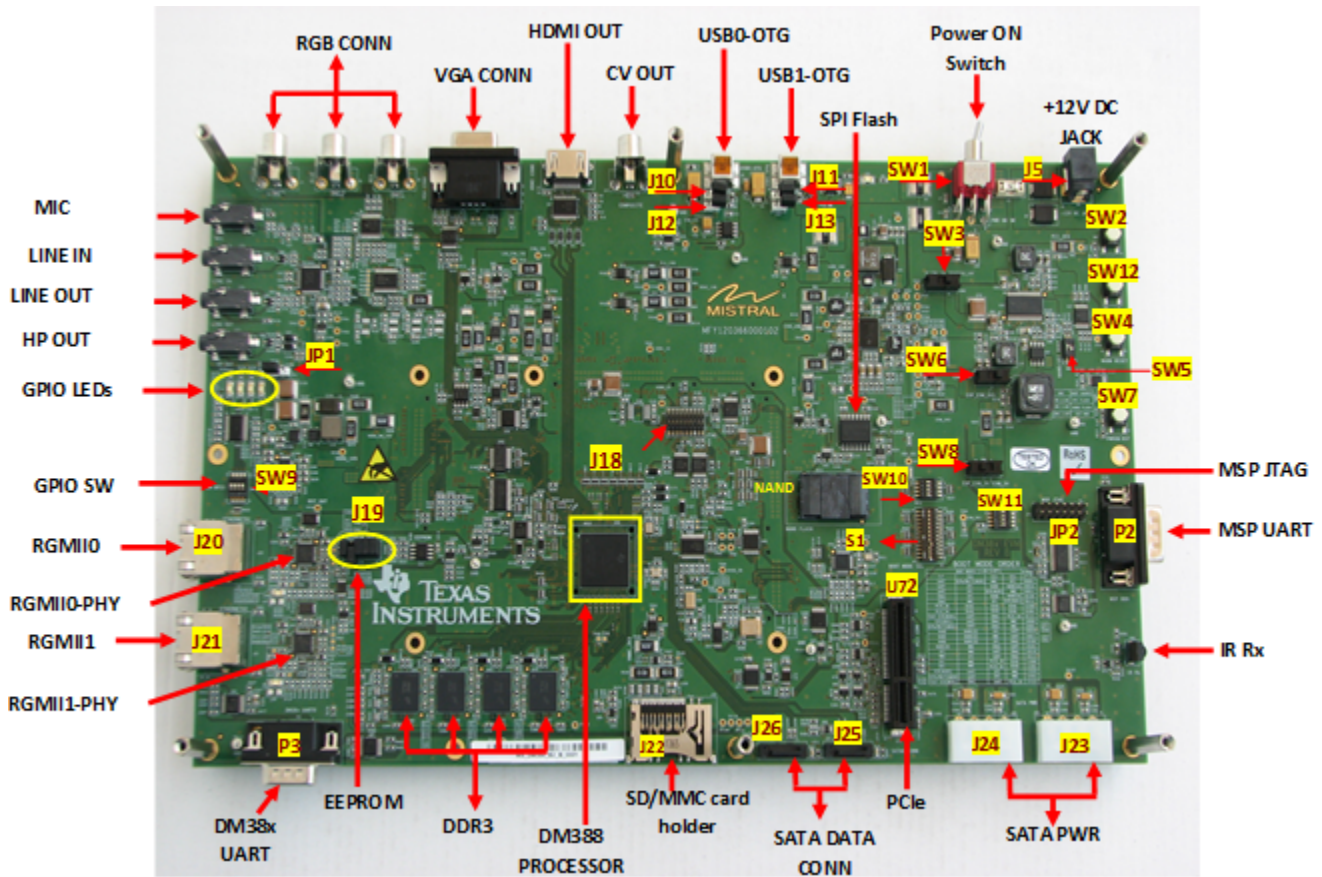
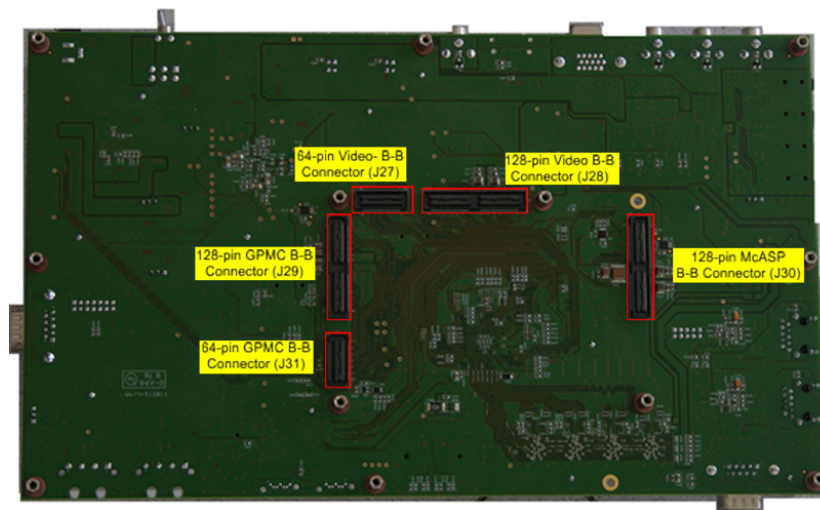


Figure 3-2 shows the bottom view of the DM388.

Figure 3-2. TMDXEVM388 Base EVM (Bottom View)



3.2 Connectors, Switches, Headers, and Jumpers

The DM388 base EVM has several connectors, switches, headers, and jumpers that serve various purposes. These components are detailed in the subsections that follow.

3.2.1 SD/MMC Card Holder

The SD/MMC card holder is a 28-pin connector that is on the top side of the board; the card holder provides an interface to a SD/MMC card. Figure 3-3 shows the location of SD/MMC connector on the base EVM.

Figure 3-3. SD/MMC Card Holder

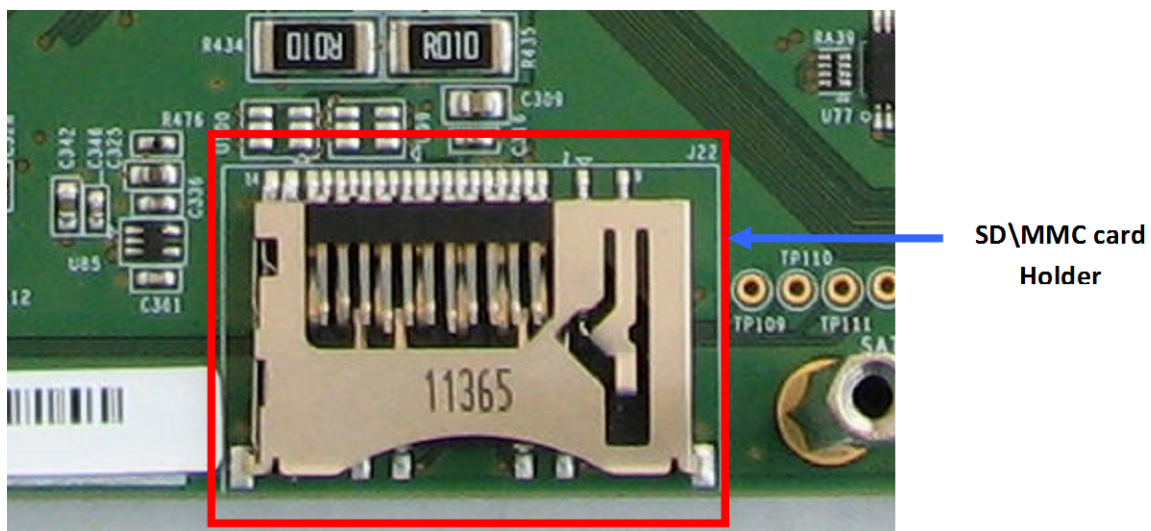


Table 3-1 provides the pinout details of the SD/MMC card holder (J22).

Table 3-1. Pinout of SD/MMC Card Holder

| Pin Number | Signal Name | Pin Number | Signal Name |
|------------|-------------|------------|-------------|
| 1 | MMC1_DAT3 | 15 | MMC1_SD_CD |
| 2 | MMC1_CMD | 16 | NC |
| 3 | GND | 17 | NC |
| 4 | VMMC | 18 | GND |
| 5 | MMC1_CLK | 19 | NC |
| 6 | GND | 20 | NC |
| 7 | MMC1_DAT0 | 21 | GND |
| 8 | MMC1_DAT1 | 22 | NC |
| 9 | MMC1_DAT2 | 23 | NC |
| 10 | NC | 24 | NC |
| 11 | NC | 25 | NC |
| 12 | NC | 26 | NC |
| 13 | NC | 27 | GND |
| 14 | MMC1_SD_WP | 28 | GND |

3.2.2 JTAG Header

A JTAG emulator can be used for advanced debugging by connecting it to the JTAG header on the top side of the EVM. The JTAG header has 20 pins (10 x 2, 1.27-mm pitch). If the user has a 14-pin JTAG version, then users must contact their emulator supplier for the appropriate adapter. All JTAG signal levels are 3.3 V.

Figure 3-4 shows the location of the JTAG header.

Figure 3-4. JTAG Header

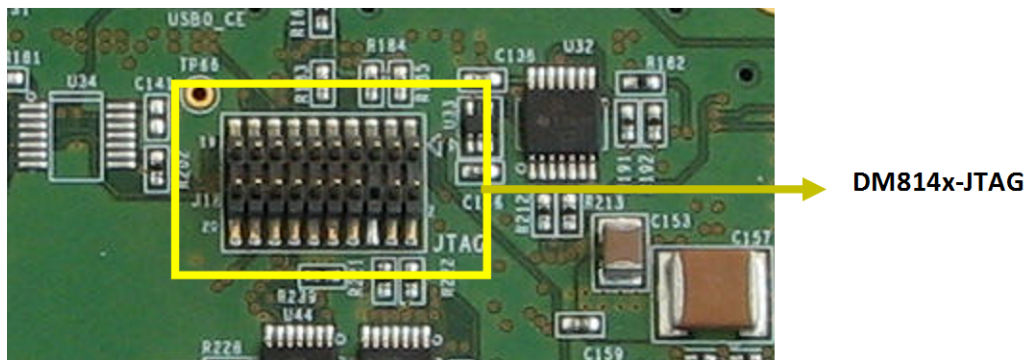


Table 3-2 provides the pinout details of the JTAG header (J18).

Table 3-2. Pinout of JTAG Header

| Pin Number | Signal Name |
|------------|-------------|
| 1 | TMS |
| 2 | TRSTN |
| 3 | TDI |
| 4 | TDIS |
| 5 | TVD |
| 6 | KEY |
| 7 | TDO |
| 8 | GND1 |
| 9 | TCKRTN |
| 10 | GND2 |
| 11 | TCLK |
| 12 | GND3 |
| 13 | EMU0 |
| 14 | EMU1 |
| 15 | SRST |
| 16 | GND4 |
| 17 | EMU2 |
| 18 | EMU3 |
| 19 | EMU4 |
| 20 | GND5 |

3.2.3 Component Video Out

A T.V. or monitor that supports HD DAC inputs can be connected to the component video connectors (RGB connectors) of the base EVM board by using a component video cable. HD DAC signals from the DM388 processor are connected to the RGB connectors through video-amplifier U5. Component video connectors J7 (green), J9 (blue), and J6 (red) are 4-pin connectors (see [Figure 3-5](#)).

Figure 3-5. Component Video Connectors

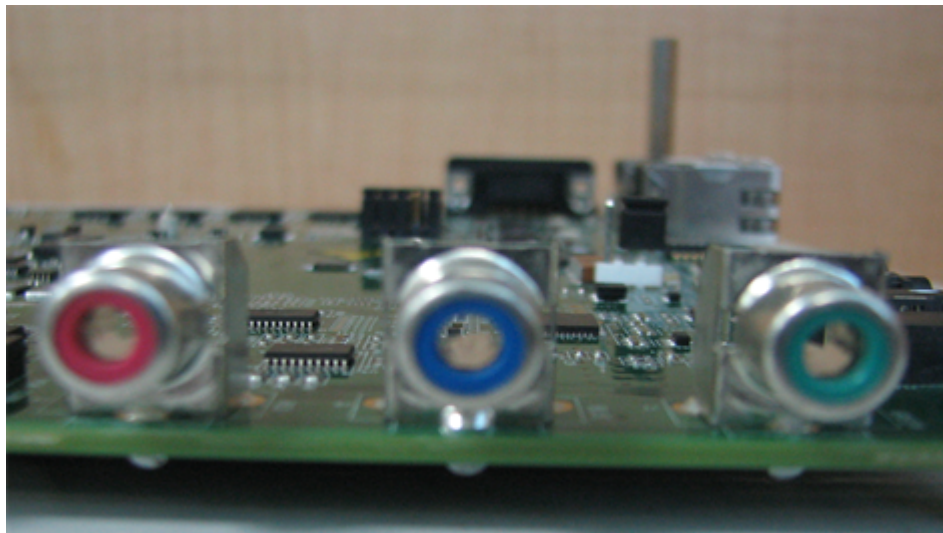


Table 3-3 provides the pinout details of the RGB connectors.

Table 3-3. Pinout of RGB Connector

| Pin Number | Signal |
|------------|-----------|
| 1 | VIDEO OUT |
| 2 | GND |
| 3 | GND |
| 4 | GND |

Figure 3-6 shows an example of a component video cable.

Figure 3-6. Component Video Cable



3.2.4 VGA Connector

A VGA cable can be used to connect a T.V. or monitor to the DM388 EVM through the VGA connector (P1) provided on the board. HD DAC signals from the video-amplifier (U5) are shared with VGA connector P1. VGA connector P1 is a 15-pin female connector.

Signals from U5 are passed through ESD protection IC TPD7S019-15DBQR and then go to the VGA connector.

Figure 3-7 shows a top view and side view of the VGA connector.

Figure 3-7. VGA Connector

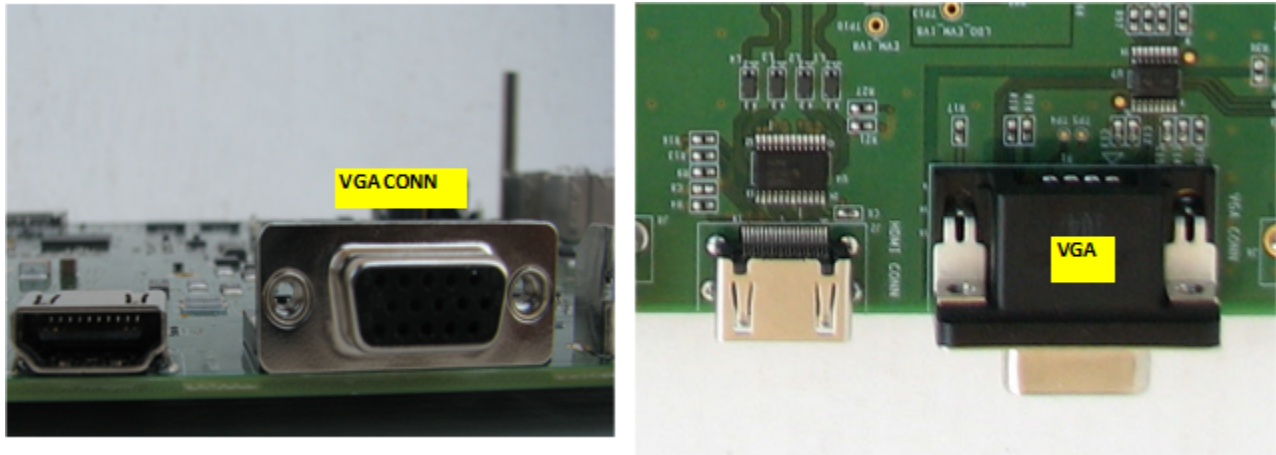


Table 3-4 provides the pinout details of the VGA connector.

Table 3-4. Pinout of VGA Connector

| Pin Number | Signal Name |
|------------|--------------|
| 1 | Red video |
| 2 | Green video |
| 3 | Blue video |
| 4 | NC |
| 5 | GND |
| 6 | GND |
| 7 | GND |
| 8 | GND |
| 9 | EVM_5V0 |
| 10 | GND |
| 11 | NC |
| 12 | I2C2_SDA_BUF |
| 13 | VGA_HSYNC |
| 14 | VGA_VSYNC |
| 15 | I2C2_SCL_BUF |

Figure 3-8 shows an example of a VGA male-to-male cable.

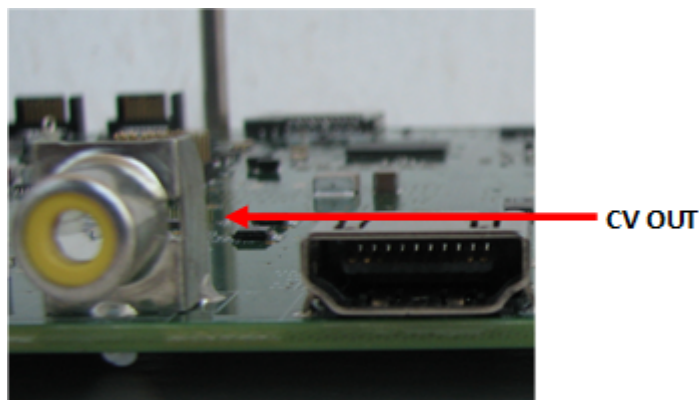
Figure 3-8. VGA Male-to-Male Cable



3.2.5 Composite Video Connector

A composite video (CV) cable is used to connect a T.V. or monitor to the base board through the RCA jack (J8) provided on the board. Figure 3-9 shows J8 as viewed from the card edge.

Figure 3-9. Composite Video Out Connector



Composite video connector J8 is a 4-pin RCA connector. Do not plug the cable into connector J8 while the board is powered on.

Table 3-5 provides the pinout details of the CV OUT on the RCA connector.

Table 3-5. CV OUT

| Pin Number | Signal |
|------------|-----------|
| 1 | VIDEO OUT |
| 2 | GND |
| 3 | GND |
| 4 | GND |

Figure 3-10. Composite Video Cable



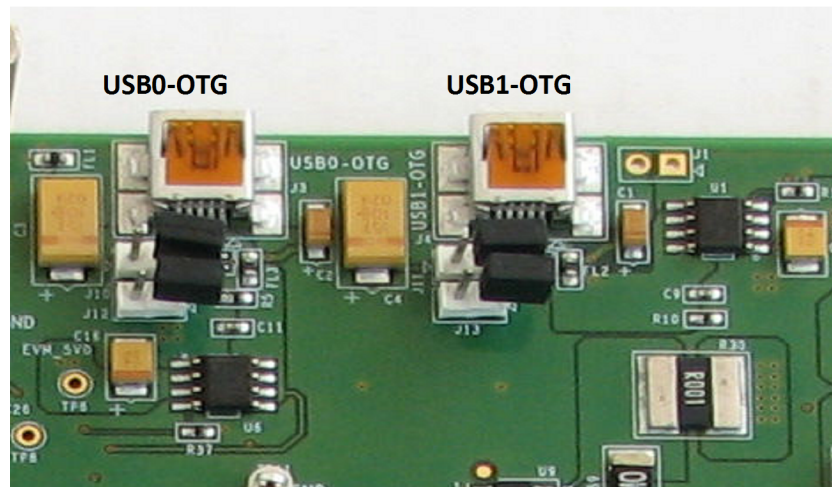
3.2.6 USB-OTG Connector

The DM388 EVM is equipped with two USB-OTG connectors (J3 and J4). Both USB interfaces are capable of dynamic role change; they can act as a host or as a device. TPD2E001DRLR ESD protection devices U2 and U3 are used for USB0 and USB1, respectively.

While configuring the OTGs in host-only mode, the header must be placed on J10 and J12 for USB0, and on J11 and J13 for USB1. Type A to mini-AB adapter is used to connect a memory stick, mouse, or other USB slave devices. The USBBx_DRV_VBUS signal from the processor is given to TPS2065DR (U6 and U1). This signal is driven high, enabling the TPS2065 IC to provide USBx_VBUS voltage to a connected slave device.

Figure 3-11 shows the connectors on the side of the board.

Figure 3-11. USB-OTG Connectors



The USB-OTG connector is a 9-pin, mini-AB connector. Table 3-6 provides the pinout details of the USB-OTG connector (J3 and J4).

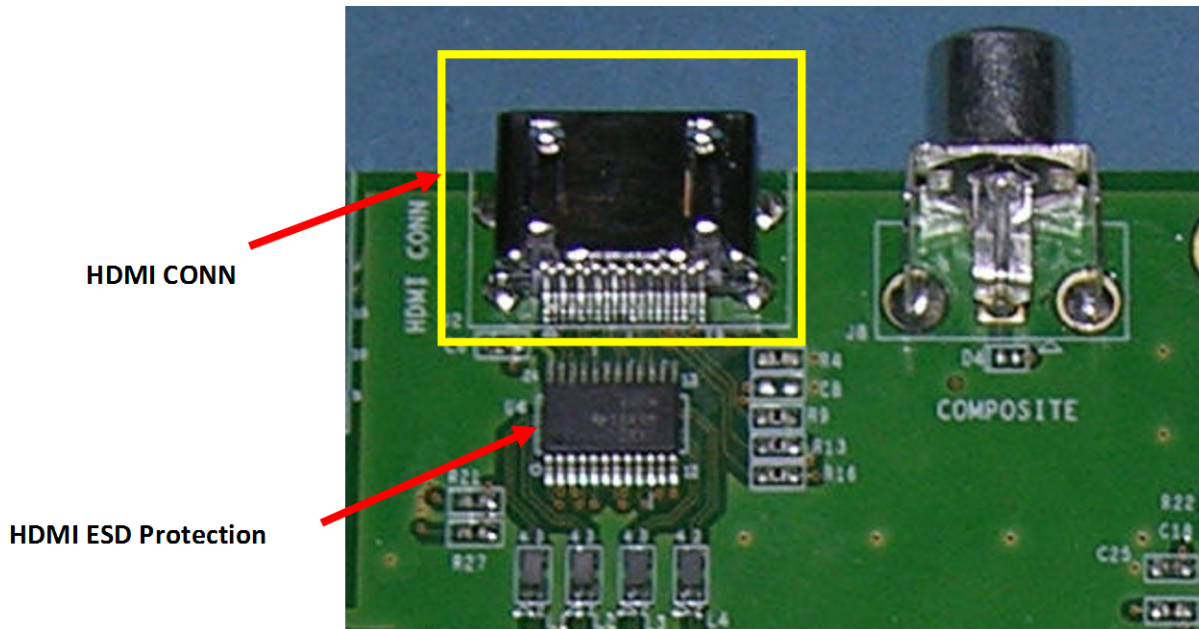
Table 3-6. Pinout of USB-OTG Connector

| Pin Number | Pin Name | Pin Number | Pin Name |
|------------|----------|------------|----------|
| 1 | VCC | 6 | SH1 |
| 2 | D+ | 7 | SH2 |
| 3 | D- | 8 | SH3 |
| 4 | ID | 9 | SH4 |
| 5 | GND | | |

3.2.7 HDMI OUT Connector

Any T.V. or monitor with an HDMI connection can be connected to the DM388 EVM through the HDMI connector. This connector is on the top side of the EVM. The HDMI signals from the processor are routed to the HDMI connector (J2) through an ESD protection device (TPD12S016PWR [U4]). [Figure 3-12](#) shows the HDMI connector.

Figure 3-12. HDMI Connector



The HDMI connector is a 23-pin, type-A receptacle connector. [Table 3-7](#) provides the pinout details of HDMI OUT J2.

Table 3-7. Pinout of HDMI OUT

| Pin Number | Signal Name | Pin Number | Signal Name |
|------------|---------------|------------|-------------|
| 1 | HDMI_D2+ | 2 | GND |
| 3 | HDMI_D2- | 4 | HDMI_D1+ |
| 5 | GND | 6 | HDMI_D1- |
| 7 | HDMI_DO+ | 8 | GND |
| 9 | HDMI_DO- | 10 | HDMI_CLK+ |
| 11 | GND | 12 | HDMI_CLK- |
| 13 | CE_REMOTE_OUT | 14 | NC |
| 15 | DDC_CLK | 16 | DDC_DAT |
| 17 | GND | 18 | 5V_OUT_HDMI |
| 19 | HDMI_HP_OUT | 20 | GND |
| 21 | GND | 22 | GND |
| 21 | GND | — | — |

Figure 3-13 shows an example of an HDMI cable.

Figure 3-13. HDMI Cable



3.2.8 Ethernet Connector

The DM388 EVM has two RJ-45 connectors with magnetics for RGMII0 and RGMII1 interfaces. Both connectors are connected to the respective Ethernet PHY transceivers (AR8031-AL1A) through parallel termination. The AR8031-AL1A supports WoL interrupt to detect the magic packet and notify the sleeping system to wake up. The ENETx_WoL signal from U52 or U66 is given to GP0[12] of the DM388 processor through an OR gate (U53).

Figure 3-14 shows the Ethernet connectors.

Figure 3-14. Ethernet Connectors

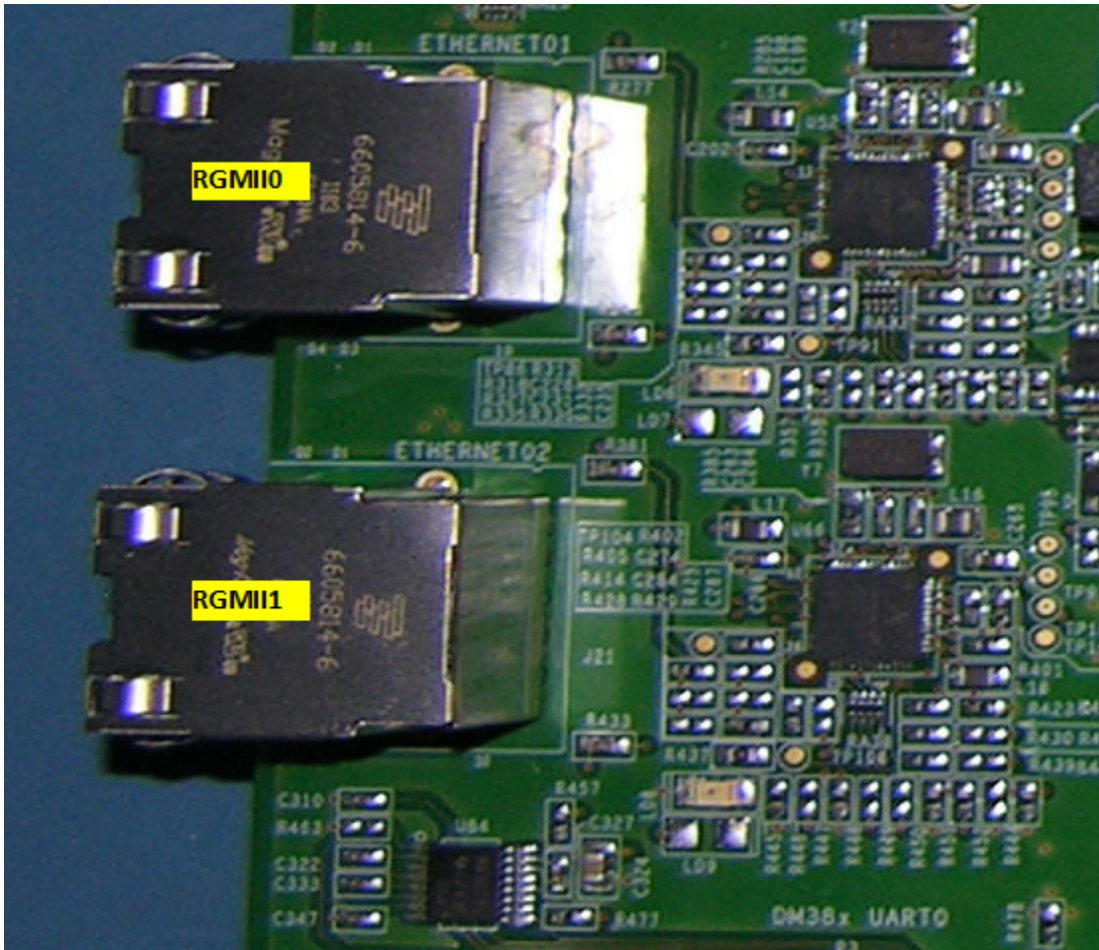


Table 3-8 provides the pinout details of the Ethernet connectors.

Table 3-8. Pinout of Ethernet Connectors

| Pin Number | Signal Name | Pin Number | Signal Name |
|------------|---------------|------------|-------------|
| 1 | GND | 2 | PHY_VDD_2V5 |
| 3 | TRD[3]P | 4 | TRD[2]N |
| 5 | TRD[2]P | 6 | TRD[2]N |
| 7 | TRD[1]P | 8 | TRD[1]N |
| 9 | TRD[0]P | 10 | TRD[0]N |
| D1 | ENET_LED_LINK | D2 | GND |
| D3 | ENET_LED_RX | D4 | EVM_3V3 |
| SH1 | GND | SH2 | GND |

3.2.9 PCI Express Connector

The EVM has four PCIe 2.0 connectors with integrated PHY on the DM388 device. The dual mode (DM) core operates in endpoint (EP) mode or root complex (RC) port mode. The core supports one in port and one out port. The operating mode of the device, the role that the PCIe core assumes, is set to EP or RC based on the value that is sampled from the BOOTMODE[4:0] pins. Figure 3-15 shows the PCIe connector.

Figure 3-15. PCIe Connector

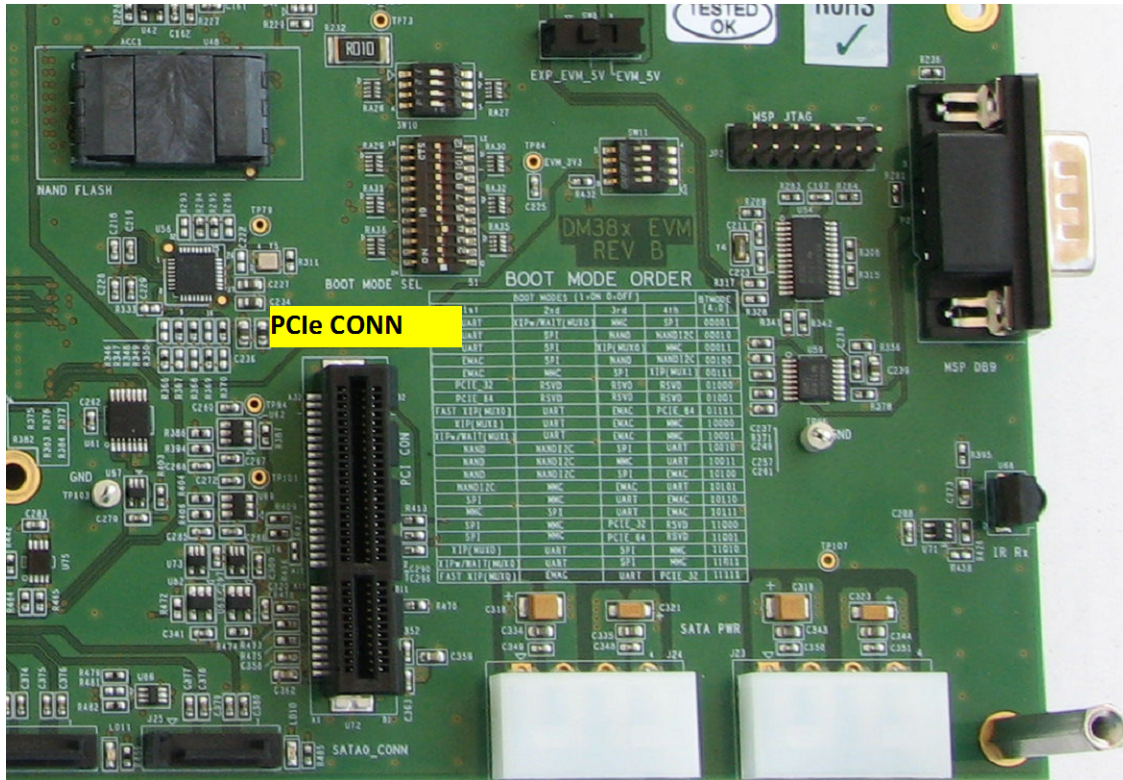


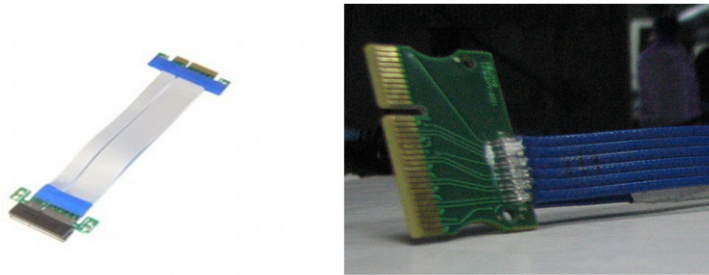
Table 3-9 provides the pinout details of the PCIe connector.

Table 3-9. Pinout of PCIe Connector

| Pin Number | Pin Description | Pin Number | Pin Description |
|------------|-----------------|------------|-----------------|
| B1 | IP_EVM_12V | A1 | PRSNT# |
| B2 | IP_EVM_12V | A2 | IP_EVM_12V |
| B3 | IP_EVM_12V | A3 | IP_EVM_12V |
| B4 | GND | A4 | GND |
| B5 | NC | A5 | TCK |
| B6 | NC | A6 | TDI |
| B7 | GND | A7 | NC |
| B8 | PCI_3V3 | A8 | TMS |
| B9 | TRSTn | A9 | PCI_3V3 |
| B10 | NC | A10 | PCI_3V3 |
| B11 | NC | A11 | PCI_CON_PORz |
| B12 | NC | A12 | GND |
| B13 | GND | A13 | REFCLKp |
| B14 | CON.PCIE_TXP0 | A14 | REFCLKn |
| B15 | CON.PCIE_TXN0 | A15 | GND |
| B16 | GND | A16 | CON.PCIE_RXP0 |
| B17 | PRSNT# | A17 | CON.PCIE_RXN0 |
| B18 | GND | A18 | GND |
| B19 | NC | A19 | NC |
| B20 | NC | A20 | GND |
| B21 | GND | A21 | NC |
| B22 | GND | A22 | NC |
| B23 | NC | A23 | GND |
| B24 | NC | A24 | GND |
| B25 | GND | A25 | NC |
| B26 | GND | A26 | NC |
| B27 | NC | A27 | GND |
| B28 | NC | A28 | GND |
| B29 | GND | A29 | NC |
| B30 | NC | A30 | NC |
| B31 | PRSNT# | A31 | GND |
| B32 | GND | A32 | NC |

Figure 3-16 shows an example of a PCIe cable.

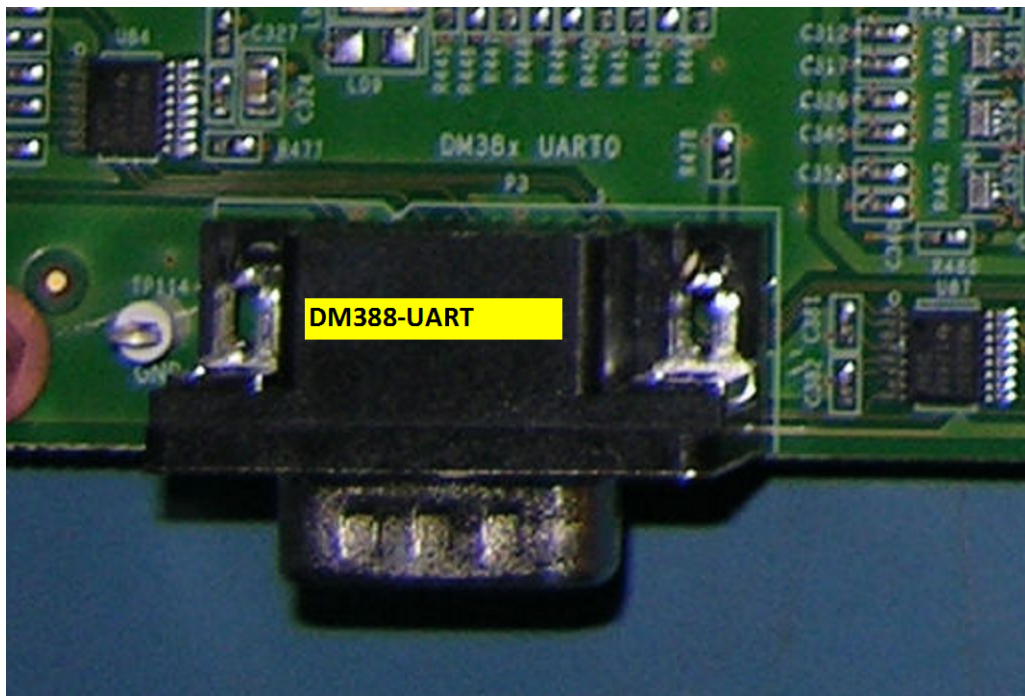
Figure 3-16. PCIe Cable



3.2.10 UART Connector

The EVM has two UART DB-9 connectors. One UART connector (P3) is connected to the DM388 through the RS-232 transceiver. The other UART connector (P2) is connected to the MSP430 MCU through the RS-232 transceiver. Figure 3-17 shows the UART connector of the DM388 device.

Figure 3-17. UART Connector



The voltage- and current-monitoring results calibrated by the MSP430 MCU can be viewed on the console through MSP430 UART connector.

Figure 3-18 shows the UART connector of the MSP430.

Figure 3-18. MSP430 UART Connector

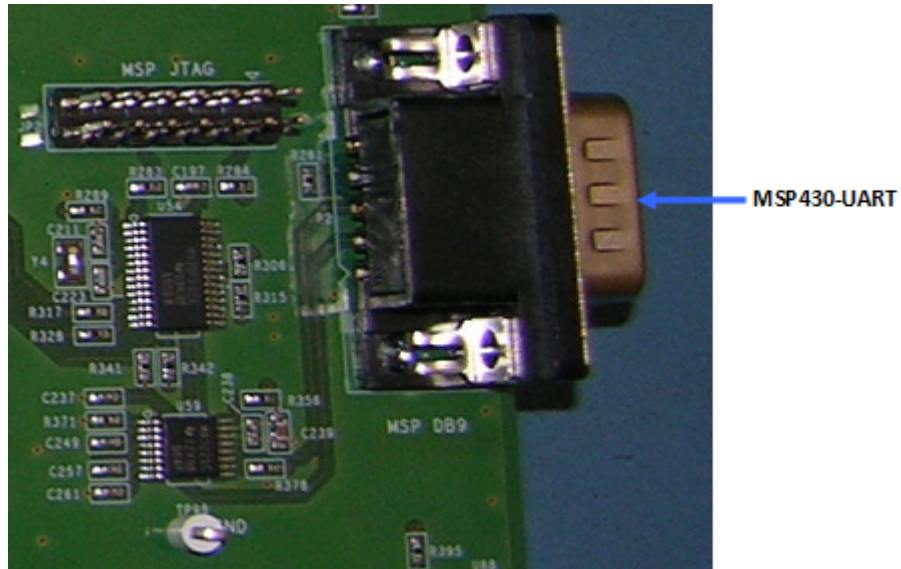


Table 3-10 provides the pinout details of the UART connectors.

Table 3-10. Pinout of UART Connectors

| Pin Number | Description | Pin Number | Description |
|------------|-------------|------------|-------------|
| 1 | NC | 7 | RTS |
| 2 | RXD | 8 | CTS |
| 3 | TXD | 9 | NC |
| 4 | NC | 10 | UART_GND |
| 5 | GND | 11 | UART_GND |
| 6 | NC | — | — |

Figure 3-19 shows a UART F-F serial cable.

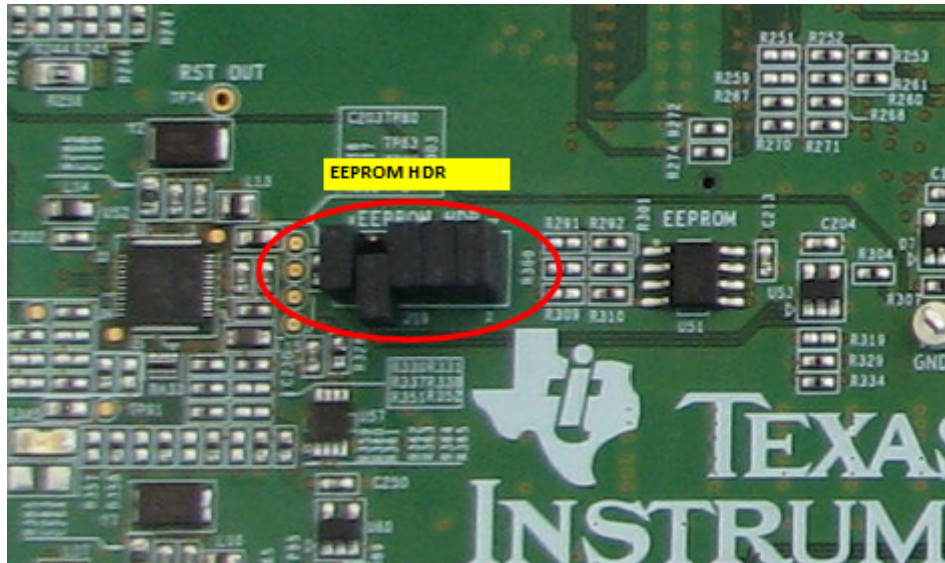
Figure 3-19. UART F-F Serial Cable



3.2.11 EEPROM Header

The DM388 EVM has five 2-pin EEPROM headers on the board. A jumper should be put on the header as shown in [Figure 3-20](#). To get the default connection from the DM388, place the jumper between pins 1 and 2, 3 and 4, 5 and 6, and 9 and 10. Do not place a jumper between pins 7 and 8. Pins 7 and 8 must be shorted for the write-protect function of EEPROM.

Figure 3-20. EEPROM Header



[Table 3-11](#) provides the pinout details of the EEPROM header.

Table 3-11. Pinout of EEPROM Header

| Pin Number | Description | Pin Number | Description |
|------------|-------------|------------|---------------|
| 1 | EVM_3V3 | 2 | PROM_EVM_3V3 |
| 3 | I2C0_SCL | 4 | PROM_I2C0_SCL |
| 5 | I2C0_SDA | 6 | PROM_I2C0_SDA |
| 7 | EVM_3V3 | 8 | PROM_WP |
| 9 | GND | 10 | GND |

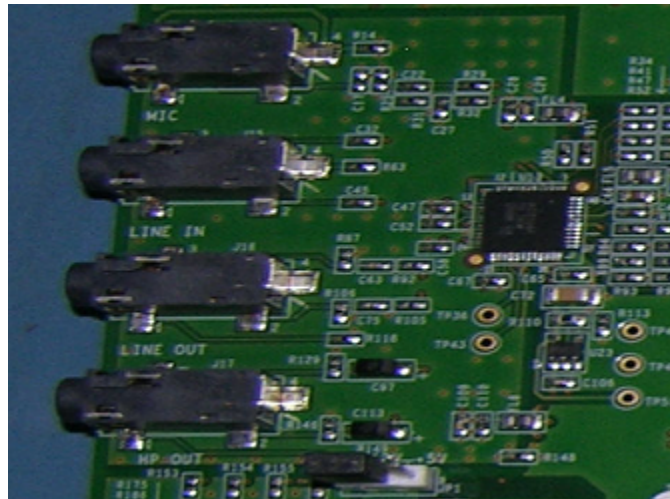
3.2.13 Audio Connectors

The DM81x and AM38x EVM includes an audio codec (TLV320AIC3106IRGZT) that is controlled through MCASP1 and I2C0 lines. The EVM has four audio connectors for different functions, such as:

- Headphone OUT (J17)
- Speaker OUT (J16)
- Audio LINE IN (J15)
- Microphone input (J14)

Figure 3-22 shows the audio codec connectors.

Figure 3-22. Audio Codec Connectors



Each connector is a 3.5-mm, 4-pin, female stereo jack that is connected to the audio codec through a coupling capacitor. Table 3-13 provides the pinout details of the audio LINE OUT connector.

Table 3-13. Pinout of Audio LINE OUT

| Pin Number | Signal Name |
|------------|-------------|
| 1 | GND |
| 2 | LEFT_OUT |
| 3 | RIGHT_OUT |
| 4 | NC |

Table 3-14 provides the pinout details of the audio LINE IN connector.

Table 3-14. Pinout of Audio LINE IN

| Pin Number | Signal Name |
|------------|-------------|
| 1 | GND |
| 2 | LEFT_IN |
| 3 | RIGHT_IN |
| 4 | GND |

Table 3-15 provides the pinout details of the audio MIC IN connector.

Table 3-15. Pinout of Audio MIC IN

| Pin Number | Signal Name |
|------------|------------------|
| 1 | GND |
| 2 | LEFT_IN |
| 3 | Shorted to pin 2 |
| 4 | GND |

Figure 3-23 shows examples of HP-out, mic-in, and line-in cables.

Figure 3-23. HP-Out, Mic-in, and Line-in Cables



3.2.14 Power Switches

The DM388 EVM has one DPDT switch (SW1) for main power (12-V supply) and three SPST, 3-pin slide switches for various purposes.

- SW3 (TOS65232 SW) – Connected to IP_EVM_12V when the switch position is toward the arrow mark, and off when it is away from the arrow mark.
- SW6 (EXP_EVM_3V3 SW) – Connected to EXP_EVM_3V3 when the switch position is away from the arrow mark, providing EVM_3V3 to the application board if required.
- SW8 (EXP_EVM_5V0 SW) – Connected to EXP_EVM_5V0 when the switch position is away from the arrow mark, providing EVM_5V0 to the application board if required.

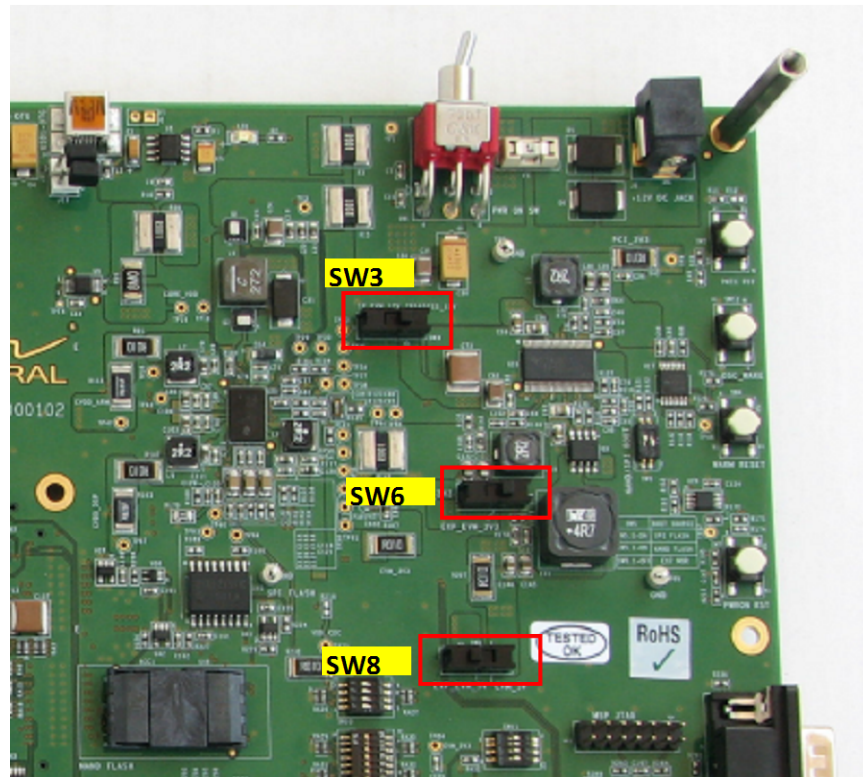
3.2.14.1 Default Switch Settings of EVM

Ensure the switches are positioned as follows when the EVM is powered on:

- SW3 – toward the arrow mark (right side)
- SW6 – toward the arrow mark (right side)
- SW8 – toward the arrow mark (left side)

Figure 3-24 shows the arrangement of the switches.

Figure 3-24. EVM Switch Arrangement



3.2.15 Boot Mode Switches

Switch positions 1 to 5 of S1 determine the order of boot modes. The first boot mode listed for each S1 [5:1] configuration is the primary boot mode. If the primary boot mode fails, the second, third, and fourth boot modes are executed in that order until a successful boot is completed.

The other positions of S1 [6:12] and SW10 [1:4] are reserved and are to be pulled down (off). The boot mode order table is silk screened on the EVM board for user convenience.

Figure 3-25 shows the boot mode switches.

Figure 3-25. Boot Mode Switches

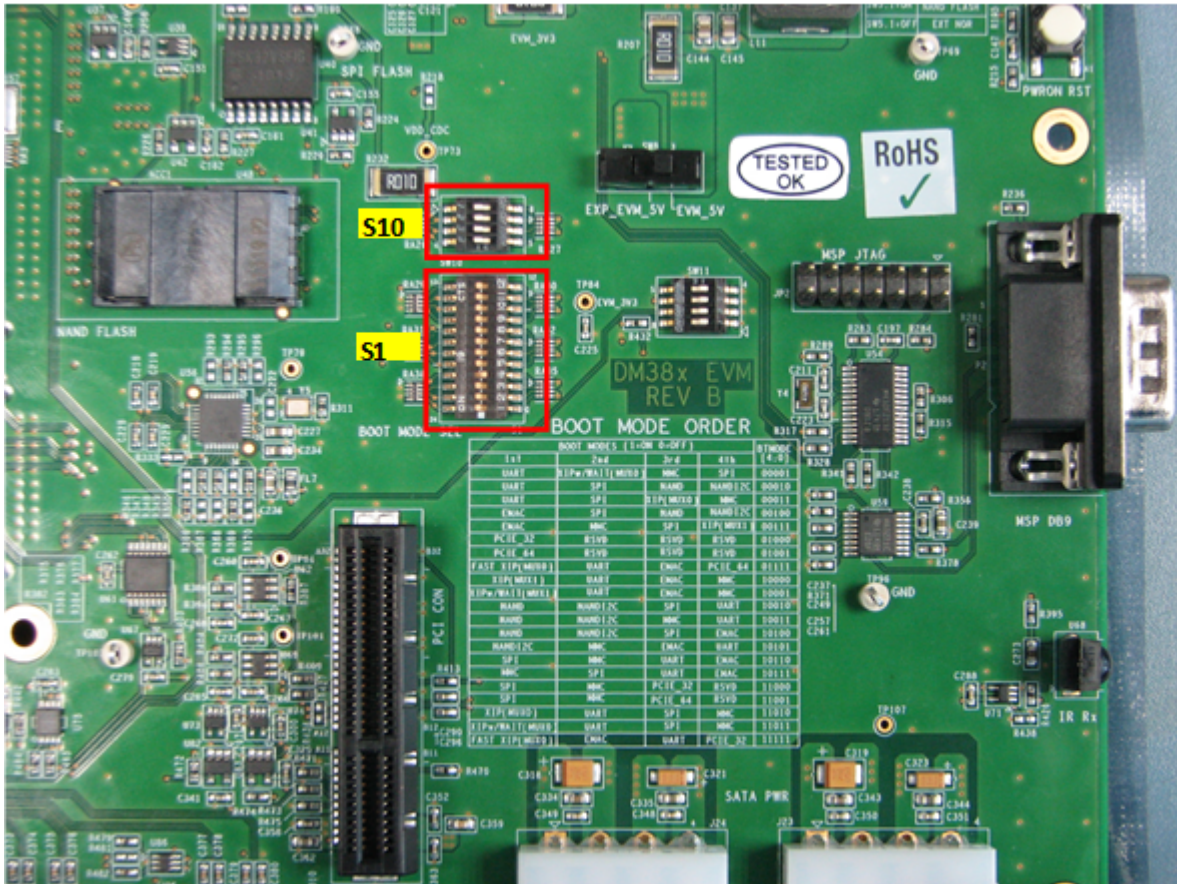


Table 3-16 provides the boot mode combinations.

Table 3-16. Boot Mode Combinations

| S1.1 | S1.2 | S1.3 | S1.4 | S1.5 | Boot Mode Order |
|------|------|------|------|------|--------------------------------|
| 0 | 1 | 0 | 0 | 1 | NAND- NANDI2C- SPI- UART |
| 1 | 0 | 0 | 0 | 0 | UART-XIP/WAIT(MUX0)(1)-MMC-SPI |
| 1 | 1 | 1 | 0 | 1 | MMC-SPI –UART-EMAC |
| 0 | 0 | 1 | 0 | 0 | EMAC-SPI-NAND-NANDI2C |

3.2.16 Reset Switch SW4

This switch generates a warm reset to the processor to reset all modules in the device except for the test and emulation logic and the EMAC switch. [Table 3-17](#) provides the two settings and results of the warm-reset push-button.

Table 3-17. Warm Reset Push-Button

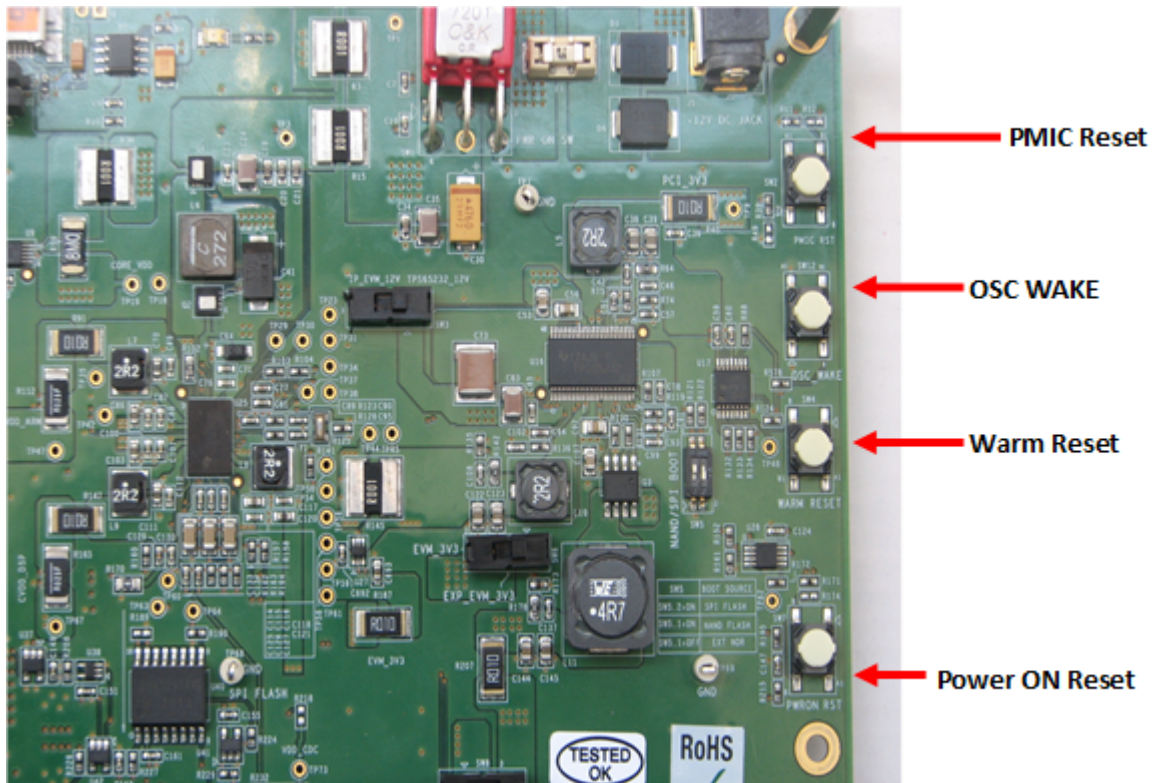
| Setting | Result |
|--------------------|---|
| Open | Normal operating condition. Open = logical 1 state |
| Push button closed | Active low reset signal. Closed = logical 0 state |

The following sequence must be followed during a warm reset:

1. Ensure that the power supplies and input clock sources are stable.
2. Ensure that the RESET pin is asserted (low) for a minimum of 30 DEV clock cycles. The following things occur within the low period of the RESET pin:
 - All pins (except for the test and emulation pins) enter a Hi-Z mode and the associated pulls are enabled.
 - The PRCM asserts reset to all modules within the device, except for the test and emulation logic, EMAC switch, PLL, and clock configuration.
3. Deassert (drive high) the RESET pin. The following things occur when the RESET pin is deasserted:
 - All pins, except test and emulation pins, enter a Hi-Z mode and the associated pulls are enabled.
 - Reset to the ARM Cortex-A8 processor and modules without a local processor is deasserted except for the test and emulation logic, EMAC switch, PLL, and clock configuration.
 - If BTMODE[11] was latched as 0, then RSTOUT_WD_OUT is asserted for TBD DEV clock cycles.
 - The clock, reset, and power-down state of each peripheral is determined by the default settings of the PRCM.
 - The ARM Cortex-A8 processor begins executing from the boot ROM.

Figure 3-26 shows the reset switches.

Figure 3-26. Reset Switches



3.2.17 Power-On Reset Switch SW7

Switch SW7 can be used to reset the entire chip (including the test and emulation logic and the EMAC switch). PORn is also referred to as a cold reset because it must be asserted when the device goes through a power-up cycle. [Table 3-18](#) provides the two settings and results of the cold-reset push button.

Table 3-18. Cold-Reset Push-Button

| Setting | Result |
|--------------------|--|
| Open | Normal operating condition. Open = logical 1 state |
| Push button closed | Active low power-on reset. Closed = logical 0 state |

The following sequence must be followed during a power-on reset (POR):

1. Wait for the power supplies to reach normal operating conditions while keeping the POR pin asserted (low).
2. Wait for input clock sources DEV_CLKIN, AUX_CLKIN, and SERDES_CLKN/P to be stable (if used by the system) while keeping the POR pin asserted.

When the power supplies and the input clock sources are stable, go to Step 3.

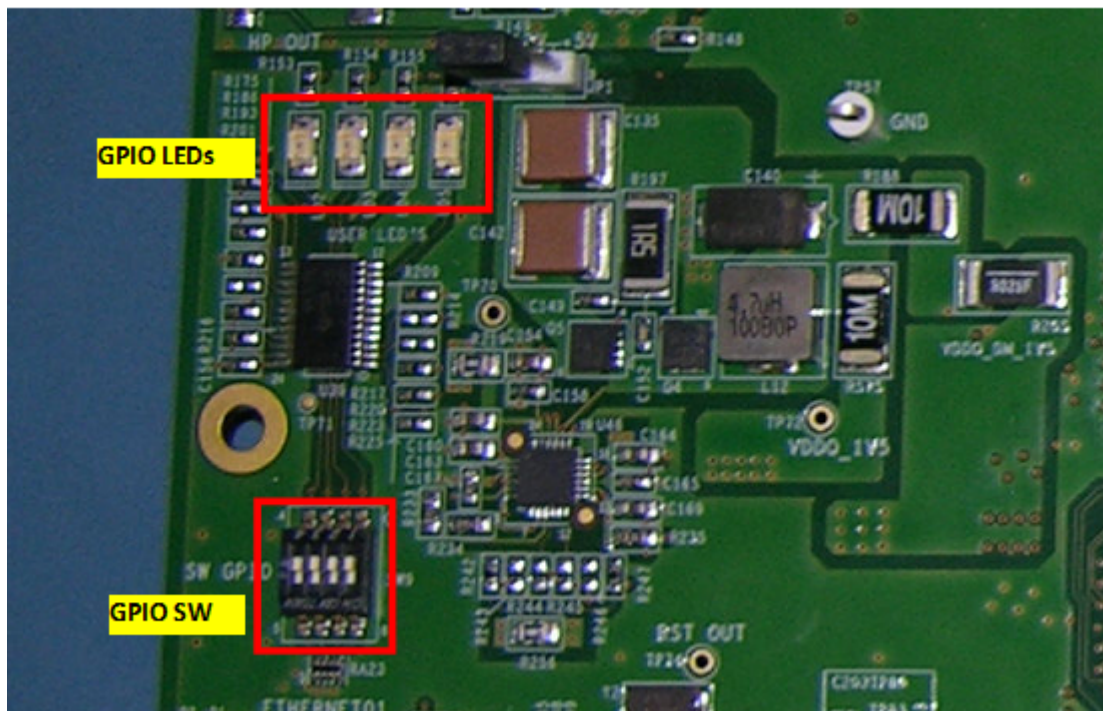
3. Ensure that the POR pin remains asserted for a minimum of two DEV clock cycles. The following things occur within the low period of the POR pin:
 - All pins (except the emulation pins) enter a Hi-Z mode and the associated pulls are enabled.
 - The PRCM asserts reset to all modules within the device.
 - The PRCM begins propagating these clocks to the chip with the PLLs in BYPASS mode.
4. Deassert (drive high) the POR pin. The followings things occur when the POR pin is deasserted:

- The BTMODE[15:0] pins are latched.
- Reset to the ARM Cortex-A8 processor and modules without a local processor is deasserted.
- If BTMODE[11] was latched as 0, then RSTOUT_WD_OUT is briefly asserted.
- The clock, reset, and power-down state of each peripheral is determined by the default settings of the PRCM.
- The ARM Cortex-A8 processor begins executing from the boot ROM.

3.2.18 GPIO Switches and LEDs

The DM388 EVM includes four LEDs and a GPIO switch (SW9) controlled by an I/O expander (PCF8575PWR [U39]) through an I2C0 interface. [Figure 3-27](#) shows the GPIO switch and LEDs.

Figure 3-27. GPIO Switch and LEDs



3.2.19 Fuses

The DM388 EVM has a fuse (F1) near switch SW1. One end of F1 is connected to a Schottky barrier rectifier and transient voltage suppressors. The other end of F1 is connected to switch SW1. The current rating of F1 is 4 A and the voltage rating is 125 VDC.

3.3 Test Points

The DM388 EVM has many test points. All test points are available on the top side of the board. [Figure 3-28](#) shows the position of each major test point.

Figure 3-28. Major Test Points

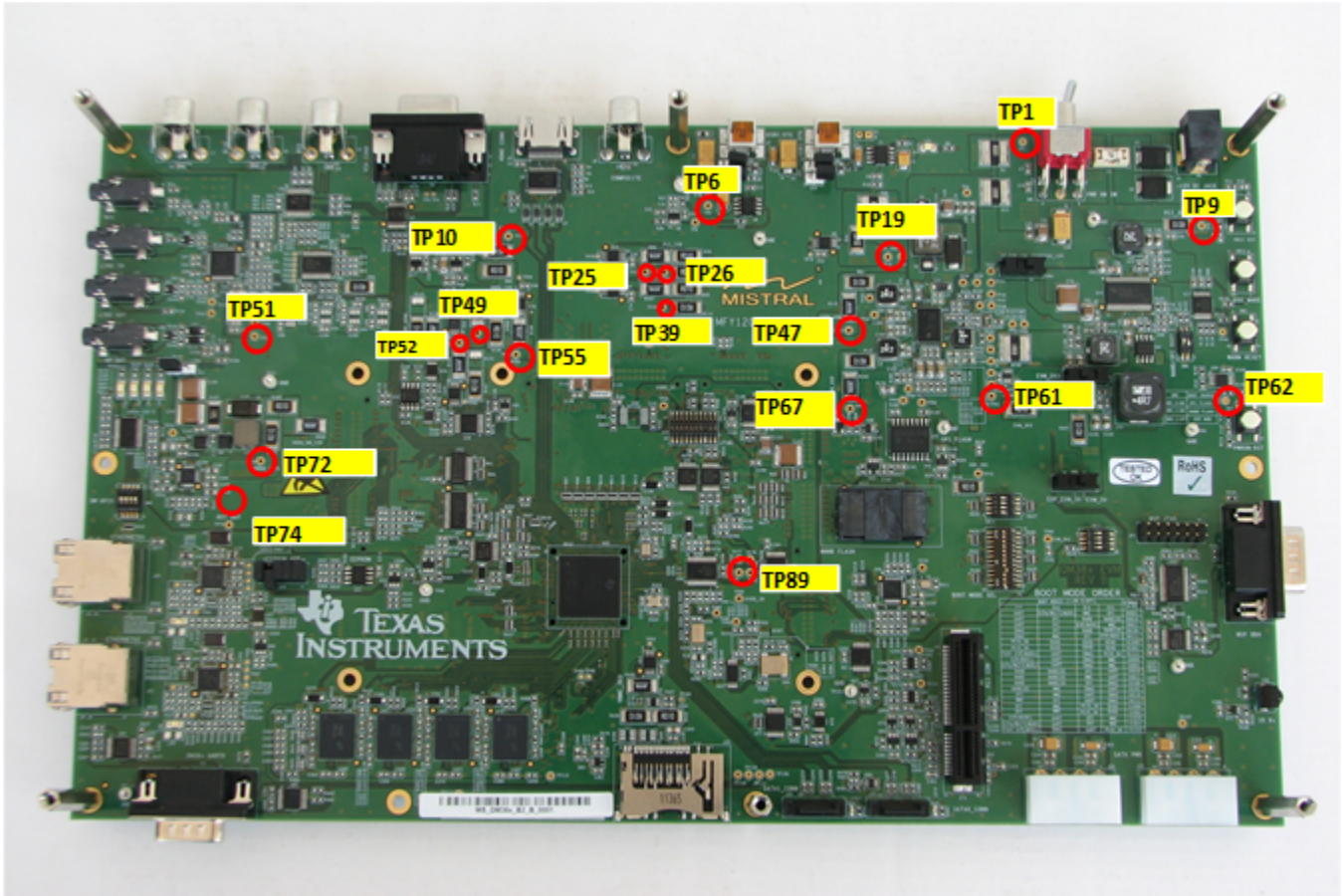


Table 3-19 lists each test point signal.

Table 3-19. Test Point Signals

| Signal Number | Supply | Reference |
|---------------|--------------|-----------|
| 1 | IP_EVM_12V | TP1 |
| 2 | EVM_5V0 | TP6 |
| 3 | LS_EVM_3V3 | TP61 |
| 4 | PCI_3V3 | TP9 |
| 5 | VDDQ_1V5 | TP72 |
| 6 | CORE_VDD | TP19 |
| 7 | CVDD_ARM | TP47 |
| 8 | CVDD_DSP | TP67 |
| 9 | VDDA_1V8 | TP49 |
| 10 | PLL_1V8 | TP25 |
| 11 | VDDA_USB_1V8 | TP39 |
| 12 | VDAC_1V8 | TP26 |
| 13 | DVDD | TP55 |
| 14 | DVDD_GPMC | TP52 |
| 15 | DVDD_SD | TP89 |
| 16 | EVM_1V8 | TP10 |
| 17 | VAIC_1V8 | TP51 |
| 18 | RSTOUTn | TP74 |
| 19 | PORz | TP62 |

3.4 Expansion Connector

Table 3-20 provides the pinout details of the 64-pin, board-to-board video expansion connector (J27) of the EVM.

Table 3-20. 64-Pin Video Expansion Connector (J27)

| Pin Number | Pin Description | Pin Number | Pin Description |
|------------|-----------------|------------|-----------------|
| 1 | VIN0_DE0 | 2 | NC |
| 3 | GND | 4 | GND |
| 5 | VIN0_HSYNC | 6 | NC |
| 7 | NC | 8 | NC |
| 9 | GND | 10 | GND |
| 11 | VIN0_VSYNC | 12 | NC |
| 13 | NC | 14 | VIN0_DE1 |
| 15 | GND | 16 | GND |
| 17 | NC | 18 | NC |
| 19 | NC | 20 | VIN0_FLD0 |
| 21 | GND | 22 | GND |
| 23 | NC | 24 | CS12_DX4 |
| 25 | NC | 26 | CS12_DY4 |
| 27 | GND | 28 | GND |
| 29 | NC | 30 | CS12_DX3 |
| 31 | NC | 32 | CS12_DY3 |
| 33 | GND | 34 | GND |
| 35 | SPI1_SCLK | 36 | CS12_DX2 |
| 37 | SPI1_MISO | 38 | CS12_DY2 |
| 39 | GND | 40 | GND |
| 41 | SPI1_MOSI | 42 | CS12_DY1 |
| 43 | SPI1_nCS0 | 44 | CS12_DX1 |
| 45 | GND | 46 | GND |
| 47 | NC | 48 | CS12_DY0 |
| 49 | NC | 50 | CS12_DX0 |
| 51 | GND | 52 | GND |
| 53 | NC | 54 | NC |
| 55 | NC | 56 | NC |
| 57 | GND | 58 | GND |
| 59 | NC | 60 | NC |
| 61 | GND | 62 | GND |
| 63 | GND | 64 | GND |

Table 3-21 provides the pinout details of the 128-pin, board-to-board video expansion connector (J28) of the EVM.

Table 3-21. 128-Pin Video Expansion Connector (J28)

| Pin Number | Pin Description | Pin Number | Pin Description |
|------------|-----------------|------------|-----------------|
| 1 | VIN0_DE0 | 2 | VIN0_D0 |
| 3 | GND | 4 | GND |
| 5 | VIN0_FLD0 | 6 | VIN0_D2 |
| 7 | VIN0_CLK1 | 8 | VIN0_D9 |
| 9 | GND | 10 | GND |
| 11 | VIN0_D1 | 12 | VOUT0_G_Y_YC2 |
| 13 | VIN0_D4 | 14 | VOUT0_G_Y_YC6 |
| 15 | GND | 16 | GND |
| 17 | VIN0_D11 | 18 | VOUT0_R_CR4 |
| 19 | VIN0_D5 | 20 | VIN0_D6 |
| 21 | GND | 22 | GND |
| 23 | VIN0_D12 | 24 | VIN0_D8 |
| 25 | VIN0_D10 | 26 | VIN0_D3 |
| 27 | GND | 28 | GND |
| 29 | VIN0_D14 | 30 | VIN0_D7 |
| 31 | VIN0_D13 | 32 | VOUT0_G_Y_YC4 |
| 33 | GND | 34 | GND |
| 35 | VIN0_D15 | 36 | VOUT0_B_CB_C8 |
| 37 | VOUT0_CLK | 38 | VOUT0_G_Y_YC5 |
| 39 | GND | 40 | GND |
| 41 | VOUT0_G_Y_YC8 | 42 | VOUT0_B_CB_C6 |
| 43 | VOUT0_G_Y_YC7 | 44 | VOUT0_B_CB_C5 |
| 45 | GND | 46 | GND |
| 47 | EXP_EVM_3V3 | 48 | IP_EVM_12V |
| 49 | EXP_EVM_3V3 | 50 | IP_EVM_12V |
| 51 | GND | 52 | GND |
| 53 | EXP_EVM_5V0 | 54 | IP_EVM_12V |
| 55 | EXP_EVM_5V0 | 56 | IP_EVM_12V |
| 57 | GND | 58 | GND |
| 59 | VOUT0_B_CB_C9 | 60 | VOUT0_B_CB_C3 |
| 61 | VOUT0_R_CR2 | 62 | VOUT0_B_CB_C7 |
| 63 | GND | 64 | GND |
| 65 | VOUT0_R_CR6 | 66 | VOUT0_G_Y_YC3 |
| 67 | VOUT0_R_CR5 | 68 | VOUT0_G_Y_YC9 |
| 69 | GND | 70 | GND |
| 71 | VOUT0_R_CR9 | 72 | VIN0_CLK0 |
| 73 | VOUT0_HSYNC | 74 | VOUT0_B_CB_C4 |
| 75 | GND | 76 | GND |
| 77 | VIN0_D16 | 78 | VOUT0_B_CB_C2 |
| 79 | VIN0_D17 | 80 | VOUT0_R_CR3 |
| 81 | GND | 82 | GND |
| 83 | VIN0_D18 | 84 | VIN0_D19 |
| 85 | VOUT0_VSYNC | 86 | VIN0_D20 |
| 87 | GND | 88 | GND |
| 89 | NC | 90 | NC |

Table 3-21. 128-Pin Video Expansion Connector (J28) (continued)

| Pin Number | Pin Description | Pin Number | Pin Description |
|------------|-----------------|------------|-----------------|
| 91 | NC | 92 | VIN0_D21 |
| 93 | GND | 94 | GND |
| 95 | VOUT0_AVID | 96 | VIN0_D22 |
| 97 | NC | 98 | VOUT0_R_CR7 |
| 99 | GND | 100 | GND |
| 101 | VIN0_FLD1 | 102 | VOUT0_R_CR8 |
| 103 | USB1_CE | 104 | VIN0_D23 |
| 105 | GND | 106 | GND |
| 107 | NC | 108 | NC |
| 109 | NC | 110 | USB0_CE |
| 111 | GND | 112 | GND |
| 113 | PM_I2C_SCL | 114 | NC |
| 115 | PM_I2C_SDA | 116 | NC |
| 117 | GND | 118 | GND |
| 119 | NC | 120 | NC |
| 121 | GND | 122 | GND |
| 123 | GND | 124 | GND |
| 125 | GND | 126 | GND |
| 127 | GND | 128 | GND |

Table 3-22 provides the pinout details of the 128-pin board-to-board GPMC expansion connector (J19).

Table 3-22. 128-Pin GPMC Expansion Connector (J19)

| Pin Number | Pin Description | Pin Number | Pin Description |
|------------|-----------------|------------|-----------------|
| 1 | McA5_AXR0_EXO | 2 | PM_I2C_SCL |
| 3 | GND | 4 | GND |
| 5 | GPMC_nCS3 | 6 | PM_I2C_SDA |
| 7 | EXP_GPMC_nCS0 | 8 | OSC_WAKE |
| 9 | GND | 10 | GND |
| 11 | GPMC_nCS2 | 12 | GPMC_A22 |
| 13 | GPMC_nCS1 | 14 | GPMC_A23 |
| 15 | GND | 16 | GND |
| 17 | GPMC_WEN | 18 | GPMC_nCS4 |
| 19 | McA5_AXR1 | 20 | VOUT1_R_CR0 |
| 21 | GND | 22 | GND |
| 23 | GPMC_OEN_REN | 24 | VOUT1_R_CR1 |
| 25 | GPMC_nBE1 | 26 | MMC2_DAT1 |
| 27 | GND | 28 | GND |
| 29 | VOUT1_G_Y_YC1 | 30 | MMC2_DAT2 |
| 31 | MMC2_DAT0 | 32 | MMC2_DAT3 |
| 33 | GND | 34 | GND |
| 35 | VOUT1_B_CB_C1 | 36 | VOUT1_B_CB_C2 |
| 37 | VOUT1_B_CB_C0 | 38 | MMC2_CLK |
| 39 | GND | 40 | GND |
| 41 | VOUT1_FLD_EXP | 42 | GPMC_WAIT0 |
| 43 | GPMC_D0 | 44 | McA5_AFSX_EXP |
| 45 | GND | 46 | GND |

Table 3-22. 128-Pin GPMC Expansion Connector (J19) (continued)

| Pin Number | Pin Description | Pin Number | Pin Description |
|------------|-----------------|------------|-----------------|
| 47 | EXP_EVM_3V3 | 48 | IP_EVM_12V |
| 49 | EXP_EVM_3V3 | 50 | IP_EVM_12V |
| 51 | GND | 52 | GND |
| 53 | EXP_EVM_5V0 | 54 | IP_EVM_12V |
| 55 | EXP_EVM_5V0 | 56 | IP_EVM_12V |
| 57 | GND | 58 | GND |
| 59 | GPMC_D2 | 60 | VOUT1_G_Y_YC0 |
| 61 | GPMC_D5 | 62 | GPMC_nBE0_YC0 |
| 63 | GND | 64 | GND |
| 65 | GPMC_D7 | 66 | GPMC_D4 |
| 67 | GPMC_D9 | 68 | GPMC_D3 |
| 69 | GND | 70 | GND |
| 71 | GPMC_D12 | 72 | GPMC_D1 |
| 73 | GPMC_D11 | 74 | McA5_ACLKX |
| 75 | GND | 76 | GND |
| 77 | GPMC_D10 | 78 | GPMC_nADV_ALE |
| 79 | GPMC_CLK | 80 | GPMC_D6 |
| 81 | GND | 82 | GND |
| 83 | GPMC_D15 | 84 | GPMC_D8 |
| 85 | NC | 86 | GPMC_D13 |
| 87 | GND | 88 | GND |
| 89 | NC | 90 | NC |
| 91 | AUXOSC_MXI | 92 | NC |
| 93 | GND | 94 | GND |
| 95 | NC | 96 | MMC0_DAT0 |
| 97 | UART2_CTSn_EXP | 98 | MMC0_DAT1 |
| 99 | GND | 100 | GND |
| 101 | SPI0_nCS0 | 102 | GPMC_D14 |
| 103 | SPI0_SCLK | 104 | MMC0_DAT2 |
| 105 | GND | 106 | GND |
| 107 | GPMC_A21 | 108 | SPI0_MOSI |
| 109 | SPI0_nCS1 | 110 | SPI0_MISO |
| 111 | GND | 112 | GND |
| 113 | MMC0_CLK | 114 | DCAN0/UART2_RX |
| 115 | MMC0_CMD | 116 | MMC0_DAT3 |
| 117 | GND | 118 | GND |
| 119 | EXP_UART0_RXD | 120 | DCAN0/UART2_TX |
| 121 | GND | 122 | GND |
| 123 | GND | 124 | GND |
| 125 | GND | 126 | GND |
| 127 | GND | 128 | GND |

Table 3-23 shows the pinout details of the 128-pin board-to-board MCASP expansion connector (J30).

Table 3-23. 128-Pin MCASP Expansion Connector

| Pin Number | Pin Description | Pin Number | Pin Description |
|------------|-----------------|------------|------------------------|
| 1 | PM_I2C_SCL | 2 | I2C2_SDA/UART2_TXD_EXP |
| 3 | GND | 4 | GND |
| 5 | PM_I2C_SDA | 6 | I2C2_SCL/UART2_RXD_EXP |
| 7 | EXP_MCA2_AXR0 | 8 | I2C0_SDA |
| 9 | GND | 10 | GND |
| 11 | MCA1_AXR2 | 12 | I2C0_SCL |
| 13 | EXP_MCA2_AXR1 | 14 | I2C1_SDA |
| 15 | GND | 16 | GND |
| 17 | MCA1_AXR3 | 18 | I2C1_SCL |
| 19 | EXP_MCA2_ACLKX | 20 | MCA0_AXR3 |
| 21 | GND | 22 | GND |
| 23 | MCA2_AXR2 | 24 | MCA0_AXR2 |
| 25 | EXP_MCA2_AFSX | 26 | NC |
| 27 | GND | 28 | GND |
| 29 | AUD_CLKIN2 | 30 | AUD_CLKIN0 |
| 31 | MCA2_AXR3 | 32 | MCA0_AFSR |
| 33 | GND | 34 | GND |
| 35 | MCA1_AXR1 | 36 | MCA0_ACLKX |
| 37 | MCA1_AXR0 | 38 | MCA0_AFSX |
| 39 | GND | 40 | GND |
| 41 | VOUT1_G_Y_YC8 | 42 | MCA1_AFSX |
| 43 | VOUT1_B_CB_C9 | 44 | MCA0_AXR1 |
| 45 | GND | 46 | GND |
| 47 | EXP_EVM_3V3 | 48 | IP_EVM_12V |
| 49 | EXP_EVM_3V3 | 50 | IP_EVM_12V |
| 51 | GND | 52 | GND |
| 53 | EXP_EVM_5V0 | 54 | IP_EVM_12V |
| 55 | EXP_EVM_5V0 | 56 | IP_EVM_12V |
| 57 | GND | 58 | GND |
| 59 | AUD_CLKIN1 | 60 | VOUT1_G_Y_YC4 |
| 61 | MDIO_MDIO | 62 | MCA0_AXR5 |
| 63 | GND | 64 | GND |
| 65 | MDIO_MDCLK | 66 | MCA0_AXR4 |
| 67 | MCA1_ACLKX | 68 | MCA0_AXR0 |
| 69 | GND | 70 | GND |
| 71 | COU1_B_CB_C3 | 72 | MCA1_ACLKR |
| 73 | VOUT1_B_CB_C4 | 74 | NC |
| 75 | GND | 76 | GND |
| 77 | COU1_B_CB_C6 | 78 | MCA1_AFSR |
| 79 | VOUT1_B_CB_C5 | 80 | VOUT1_G_Y_YC7 |
| 81 | GND | 82 | GND |
| 83 | VOUT1_B_CB_C8 | 84 | VOUT1_R_CR7 |
| 85 | VOUT1_B_CB_C7 | 86 | VOUT1_VSYNC |
| 87 | GND | 88 | GND |
| 89 | VOUT1_G_Y_YC3 | 90 | VOUT1_R_CR8 |
| 91 | VOUT1_G_Y_YC5 | 92 | NC |

Table 3-23. 128-Pin MCASP Expansion Connector (continued)

| Pin Number | Pin Description | Pin Number | Pin Description |
|------------|-----------------|------------|-----------------|
| 93 | GND | 94 | GND |
| 95 | VOUT1_G_Y_YC6 | 96 | MCA0_AXR9 |
| 97 | VOUT_G_Y_YC9 | 98 | VOUT1_HSYNC |
| 99 | GND | 100 | GND |
| 101 | VOUT1_R_CR4 | 102 | NC |
| 103 | VOUT1_R_CR6 | 104 | MCA0_ACLKR |
| 105 | GND | 106 | GND |
| 107 | VOUT1_R_CR5 | 108 | NC |
| 109 | VOUT1_CLK | 110 | NC |
| 111 | GND | 112 | GND |
| 113 | VOUT1_R_CR9 | 114 | VOUT1_AVID |
| 115 | NC | 116 | NC |
| 117 | GND | 118 | GND |
| 119 | NC | 120 | NC |
| 121 | GND | 122 | GND |
| 123 | GND | 124 | GND |
| 125 | GND | 126 | GND |
| 127 | GND | 128 | GND |

Table 3-24 shows the pinout details of the 64-pin board-to-board GPMC expansion connector (J31).

Table 3-24. 64-Pin GPMC Expansion Connector

| Pin Number | Pin Description | Pin Number | Pin Description |
|------------|-----------------|------------|-----------------|
| 1 | VOUT1_R_CR3 | 2 | MCA3_ACLKX |
| 3 | GND | 4 | GND |
| 5 | EXP_UART0_TXD | 6 | GPMC_A20 |
| 7 | MCA3_AXR0 | 8 | GPMC_A18 |
| 9 | GND | 10 | GND |
| 11 | VOUT1_R_CR2 | 12 | GPMC_A19 |
| 13 | MCA3_AXR1 | 14 | GPMC_A17 |
| 15 | GND | 16 | GND |
| 17 | MMC2_DAT7 | 18 | MMC2_DAT5 |
| 19 | MMC2_DAT6 | 20 | VOUT1_G_Y_YC2 |
| 21 | GND | 22 | GND |
| 23 | VOUT0_FLD_EXP | 24 | MCA3_AXR2 |
| 25 | IO_EXP2_GP3 | 26 | MCA3_AXR3 |
| 27 | GND | 28 | GND |
| 29 | CLK32OUT | 30 | MCA3_AFSX |
| 31 | MCA4_ACLKX | 32 | EXP_UART0_CTSn |
| 33 | GND | 34 | GND |
| 35 | NC | 36 | EXP_UART0_RTSn |
| 37 | NC | 38 | GPMC_A16 |
| 39 | GND | 40 | GND |
| 41 | NC | 42 | UART2_RTSn_EXP |
| 43 | NC | 44 | RSTOUTn |
| 45 | GND | 46 | GND |
| 47 | NC | 48 | IO_EXP2_GP1 |

Table 3-24. 64-Pin GPMC Expansion Connector (continued)

| Pin Number | Pin Description | Pin Number | Pin Description |
|------------|-----------------|------------|-----------------|
| 49 | GPIO_VS_1 | 50 | IO_EXP2_GP2 |
| 51 | GND | 52 | GND |
| 53 | MCA4_AXR0 | 54 | MCA4_AXR1 |
| 55 | EXP_WARM_RESET | 56 | MCA4_AFSX |
| 57 | GND | 58 | GND |
| 59 | APP_PORz | 60 | MMC2_DAT4 |
| 61 | GND | 62 | GND |
| 63 | GND | 64 | GND |

Schematics

[Figure A-1](#) through [Figure A-38](#) show the schematics of the DM385 device.

Figure A-1. Version History

| VERSION HISTORY | | | | | |
|-----------------|------------|---|---------------------|------------------|------------------|
| VER # | DATE | DESCRIPTION OF CHANGES | AUTHOR | REVIEWED BY | APPROVED BY |
| 0.01 | 02/01/2012 | SCHEMATICS "MS_TI_DM385EVM_REVA_SCH(VERSION 1.06)" IS TAKEN AS REFERENCE AND CHANGES ARE MADE FOR REV# AS LISTED BELOW | MISTRAL DESIGN TEAM | MANJUNATHA BM | KRISHNA PRASAD A |
| 0.02 | 14/01/2012 | 1) MIC94060YC6 (U27 & U70) ICs ARE REPLACED WITH MIC94062YC6. 2) THE ESD PROTECTION ICs TPD2E007DCKR (U95,U96,U97) IS ADDED NEAR THE LINE-IN,LINE-OUT & HP-OUT JACK. 3) THE ESD PROTECTION ICs ESDALC6V1P6 (D12 & D13) IS ADDED ALONG THE MMC CONNECTOR LINES. 4) SWITCH IC SN74CB303257PWR (U98) IS ADDED FOR GPMC ADDRESS PIN MUXING. TP71 REMOVED 5) A DECOUPLING CAPACITOR(C688) IS INCLUDED ON PIN B7(HDDDA_VREF) IN TMS320DM385. 6) NAME OF PIN B7 IN TMS320DM385 IS CORRECTED AS HDDAC_VREF FROM HDDDAC_VREF. 7) R273 IS MADE IN TO DNI. 8) R250 IS CHANGED TO 2.67K. 9) R44,R45,R46 ARE CHANGED TO 165OHM. 10) R481 IS MADE IN TO DNI AND R241 IS MADE IN TO 0 OHM. 11) A PUSH BUTTON SWITCH (SW12) IS INCLUDED FOR OSC_WAKE. | MISTRAL DESIGN TEAM | MANJUNATHA BM | KRISHNA PRASAD A |
| 0.03 | 20/01/2012 | 1) R43 VALUE CHANGED TO 46.7K 2) R579 VALUE CHANGED TO 26.7K 3) U98 OE SIGNAL AND UNUSED INPUTS PULLED DOWN TO GND 4) ESDALC6V1P6 DEVICE(D12 & D13) DELETED AND ADDED TPD4E001(U99 & U100) ON MMC LINES 5) R26 AND R43 MADE AS DNI AND R58 IS MOUNTED 6) C689, C690 AND C691 ARE ADDED FOR U70 7) C692 AND C693 ADDED FOR U27 8) C694 ADDED FOR U98 9) SWAPPED THE MMC1 SIGNALS ON U99 AND U100 FOR ROUTING CONVENIENCE | MISTRAL DESIGN TEAM | MANJUNATHA BM | KRISHNA PRASAD A |
| 1.00 | 24/01/2012 | 1) Baseline as 1.00 | MISTRAL DESIGN TEAM | MANJUNATHA BM | KRISHNA PRASAD A |
| 1.01 | 07/03/2012 | THE ROHS NON COMPLIANT COMPONENTS ARE REPLACED WITH THE ALTERNATIVES THAT ARE ROHS COMPLIANT: 1) T494A106M016AS (C321,C323) ARE REPLACED BY T494A106M016AT. 2) SC06031A2212PKHFT (R64,R142,R178) ARE REPLACED BY RCD603FR-0722K1L. 3) SC04021A10K01LHF3 (R65,R89,R90,R94) ARE REPLACED BY ERJ-AGE1100X. 4) TDA04H0SK1 (SW9,SW10,SW11) ARE REPLACED BY GDH04S04. | MISTRAL DESIGN TEAM | MANJUNATHA BM | KRISHNA PRASAD A |
| 1.02 | 09/05/2016 | SATA INTERFACE DNI'd (J23,J24,J25,J26,U86,C310,C350,C343,C323,C351,C344,C318,C349,C334,C321,C348,C335,C683,R479,R486,R485,R48Z,LD10,LD11) | MISTRAL DESIGN TEAM | KRISHNA PRASAD A | KRISHNA PRASAD A |

| REV. NO. | NATURE OF CHANGE | APPROVED BY | DATE | Rev |
|----------|------------------|-------------|------|-----|
| | | | | |
| | | | | |
| | | | | |
| | | | | |


| | | | |
|---|--|-------------------------------|--|
|  Mistral Solutions [P] Ltd. #90 Adarsh regent, 100 Feet Ring Road, Domlur Extension Bangalore 560 071, Ph: +91-90-30912600, Fax: +91-90-2635 6444 | | Title: VERSION HISTORY | |
| Drawn by: MISTRAL DESIGN TEAM Date: Monday, May 21, 2010 | Approved by: KRISHNA PRASAD A Date: Monday, August 08, 2016 | Size: | Document Number: MS_TI_DM385EVM_REVA_SCH Rev: B |
| Design file path: D:\SV\NTI_DM385_5007_HARDWARE\SCHEMATICS\DM385EVM_TI_DM385EVM_REVA_SCH.DGN | | Date: Monday, August 08, 2016 | Sheet 2 of 39 |

Figure A-2. DM385 Block Diagram

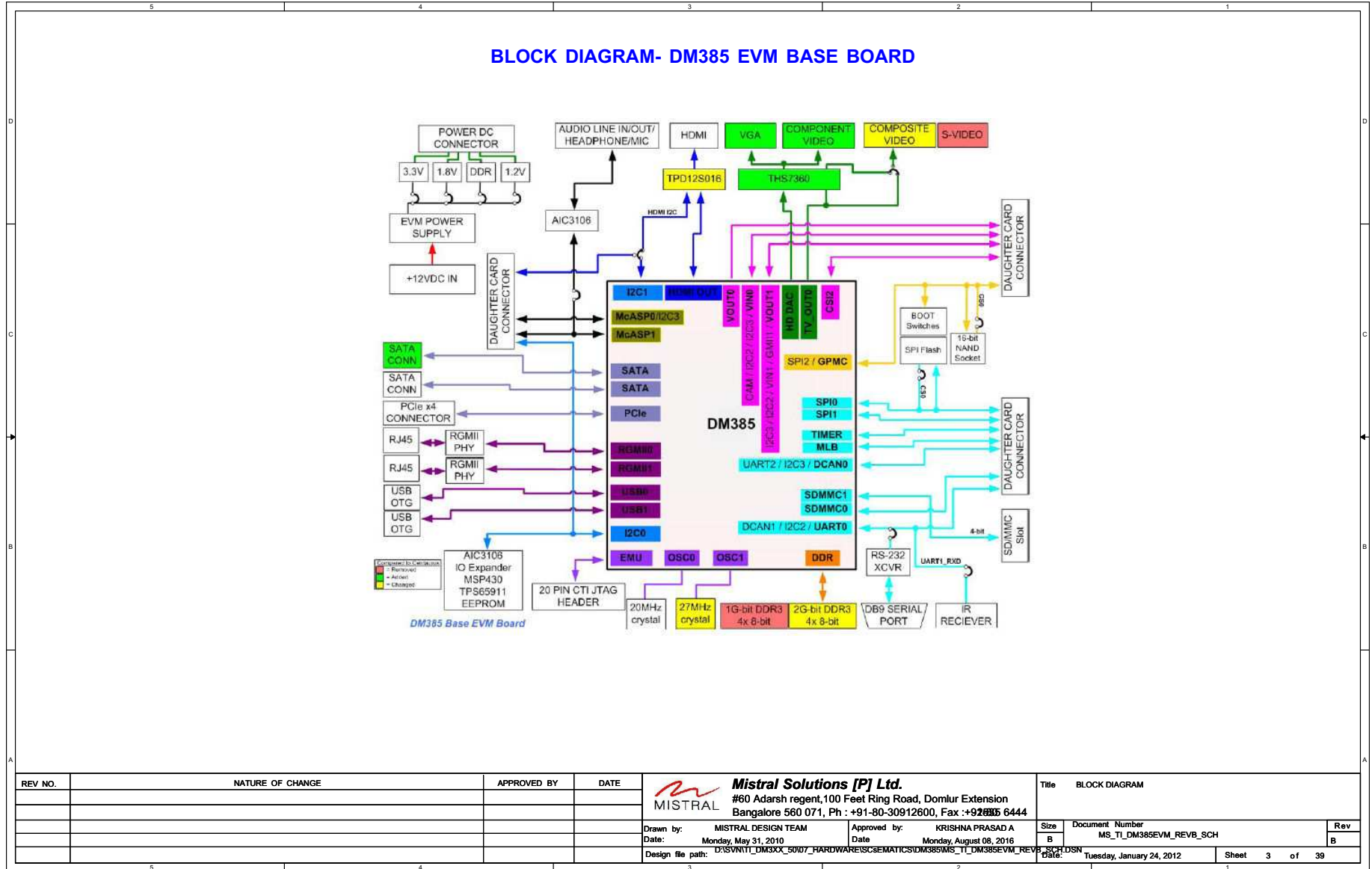


Figure A-3. Memory Map

| MEMORY MAP TO BE UPDATED | | GPIO ASSIGNMENT(SAME AS CENTAURUS) | | | GPIO ASSIGNMENT (NEWLY ADDED) | | |
|-----------------------------------|---------|------------------------------------|---------------------------|--------------------------------------|-------------------------------|-------------------|---|
| ETHERNET-GPMC | | GPIO NAME | SOURCE | PURPOSE | GPIO NAME | SOURCE | PURPOSE |
| NAND-GPMC | | ENET_INT | GP1[10] | ETHERNET | ENET_WoL_INT | GP0[12] | WoL INTERRUPT |
| DDR-0 | | PCF8575_INT_I01 | GP1[4] | I INTERRUPT | HDMI_CT_HPD | PCF8575 DEVICE -3 | ENABLING LOAD SWITCH |
| SPI FLASH | | TPS_INT1 | TPS659113-- INT 1 | INTERRUPT FROM PMIC | HDMI_LS_OE | PCF8575 DEVICE -3 | ENABLING LEVEL SHIFTER |
| I2C DEVICES | | EN_BCK2_LS | TPS659113-- GPIO 7 | ENABLING LOAD SWITCH | DISABLE_SD | PCF8575 DEVICE -3 | SD AND SF CHANNEL CONTROL OF VIDEO AMPLIFIER |
| I2C0- AUDIO CODEC | 0011000 | EN_TPS62350 (REMOVED) | TPS659113-- GPIO 6 | ENABLING CVDD_HDVICP | DISABLE_SF | PCF8575 DEVICE -3 | |
| I2C0- EEPROM | 1010000 | EN_BCK3_TPS65232 | TPS659113-- GPIO 2 | ENABLING PCI_3V3 | BYPASS_SD | PCF8575 DEVICE -3 | TO BYPASS LPF OF SD AND SF IN VA |
| I2C0- PCF8575-1 | 0100000 | EN_TPS51116 | TPS659113-- GPIO 0 | ENABLING DDR SUPPLY | BYPASS_SF | PCF8575 DEVICE -3 | |
| I2C0- PCF8575-2 | 0100011 | MSP430_INT | PCF8575 DEVICE-1 | INTERRUPT FOR MSP430 | FILTER1 | PCF8575 DEVICE -3 | SELECTABLE FILTER FOR SF CHANNELS |
| I2C1- HDMI | | EXP_ETH_RESET | PCF8575 DEVICE-1 | ETHERNET RESET | FILTER1 | PCF8575 DEVICE -3 | |
| I2C2- PCF8575-3 | 0100000 | TPS_SLEEP | PCF8575 DEVICE-1 | SLEEP FOR TPS659113 | IO_EXP2_GP1 | PCF8575 DEVICE -2 | GPIO USED IN CATALOG |
| PMI2C | | PCI_SW_RESETn | PCF8575 DEVICE-1 | PCI RESET | IO_EXP2_GP2 | PCF8575 DEVICE -2 | GPIO USED IN CATALOG |
| I2C POWER MONITORS--MSP430 | | IR_REMOTE_OFF | PCF8575 DEVICE-1 | IR SENSOR CONTROLLING | MCA0_DEC_A | PCF8575 DEVICE -2 | MCASP0 DECODER SELECT LINES |
| PM_I2C ADDRESS | | UART0_OFF | PCF8575 DEVICE-1 | UART-0 CONTROLLING | MCA0_DEC_B | PCF8575 DEVICE -2 | MCASP0 DECODER SELECT LINES |
| PLL_1V8 | 1000000 | GPMC_ADD_SELn | PCF8575 DEVICE-1 | TO SELECT EITHER GPMC OR HDMI LINES. | MCA1_MUX_SEL | PCF8575 DEVICE -2 | MCASP1 MUX SELECT LINES |
| HDMI_CSL_1V8 | 1000001 | SW_VOUT_EN | TDA04H0SK1 DEVICE | VIDEO SW ENABLE | MCA0/1/3_RSEL_A | PCF8575 DEVICE -2 | MCASP0/1/3 R DECODER SELECT LINES |
| CVDD_ARM | 1000010 | GPMC_nWP | TDA04H0SK1 DEVICE | GPMC WRITE PROTECT | MCA0/1/3_RSEL_B | PCF8575 DEVICE -2 | MCASP0/1/3 R DECODER SELECT LINES |
| VDDQ_DM_1V5 | 1000011 | RESET_GPIO | TDA04H0SK1 DEVICE | ENABLING PCI POR BUFFER | PCF8575_INT_I02 | GP0[13] | INTERRUPT |
| VDDA_1V8 | 1000101 | | | | MCA0_AXR9 | PCF8575 DEVICE -2 | GPIO USED IN VC BOARD |
| DVDD_GPMC | 1000110 | | | | IO_EXP2_GP3 | PCF8575 DEVICE -2 | GPIO USED IN VC BOARD |
| CVDD_DSP | 1001001 | | | | MCA5_MUX_OE | PCF8575 DEVICE -2 | TO SELECT BIT GPIO N MCAS_AHCLKX |
| CORE_VDD | 1001000 | | | | VOUT_FLD_SEL1 | PCF8575 DEVICE -3 | TO PROVIDE THE PIN MUXING OPTION FOR VOUT01_FLD PIN |
| DVDD | 1000100 | | | | VOUT_FLD_SEL2 | PCF8575 DEVICE -3 | |
| DVDD_C | 1000111 | | | | GPIO_VC_1 | PCF8575 DEVICE -2 | GPIO USED ON THE APPLICATION BOARD. |
| VMMC | 1001010 | | | | GPIO_VC_2 | PCF8575 DEVICE -2 | |
| | | | | | MCA1_MUX2_nOE | PCF8575 DEVICE -2 | MCASP1 MUXING SELECTION. |

| REV NO. | NATURE OF CHANGE | APPROVED BY | DATE | Design file path: D:\SV\NT1_DM3XX_6007_HARDWARE\SCHEMATICS\DM389MS_TL_DM389EV_M_REV_SCH.DSN | Date: Thursday, March 08, 2012 | Sheet 4 of 39 |
|---------|------------------|-------------|------|---|--------------------------------|---------------|
| | | | | | | |


| | | | | | |
|---|--|--|--|--|--|
|  Mistral Solutions (P) Ltd. #60 Adarsh regent, 100 Feet Ring Road, Domlur Extension Bangalore 560 071, Ph : +91-80-30912600, Fax : +91-80-2535 6444 | | | | Title MEMORY MAP | |
| Down by: MISTRAL DESIGN TEAM Approved by: KRISHNA PRASADA Date: Monday, May 21, 2012 Date: Monday, August 08, 2016 | | | | Sns Document Number C MS_TL_DM389EV_M_REV_SCH | |
| | | | | Rev B | |

Figure A-4. McASP Muxing

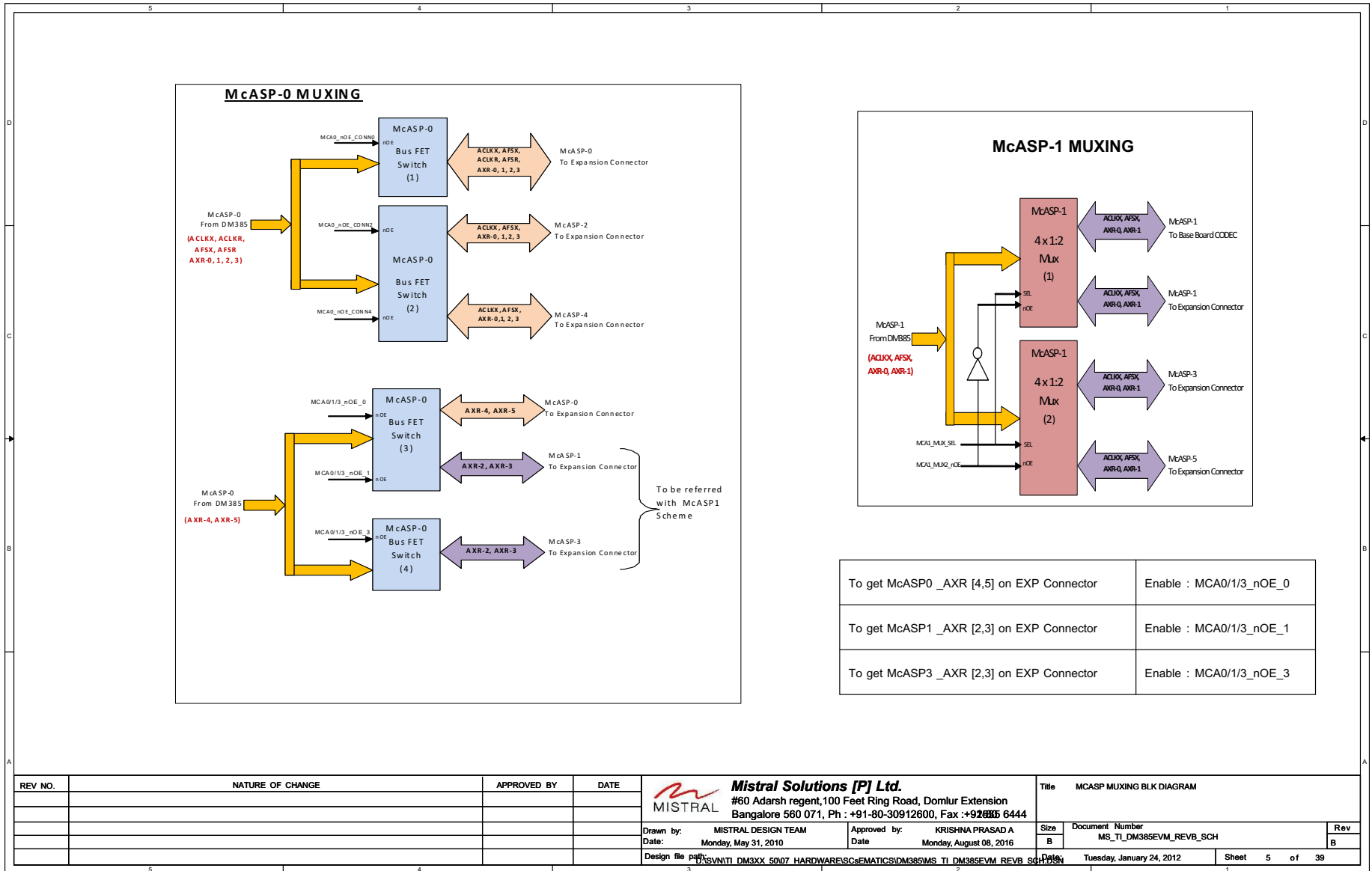


Figure A-5. DM385 McASP

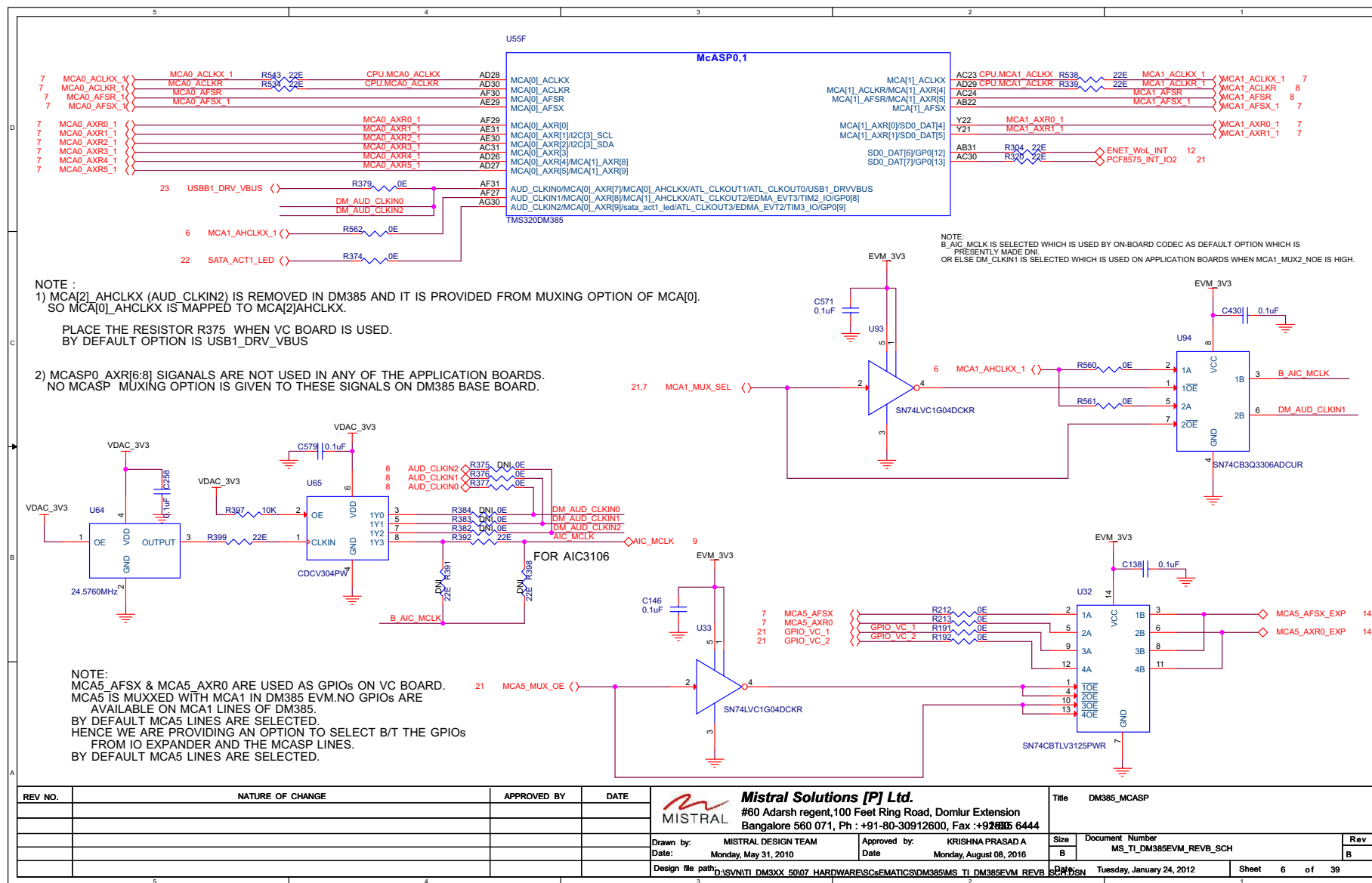


Figure A-6. McASP Muxing and Decoders

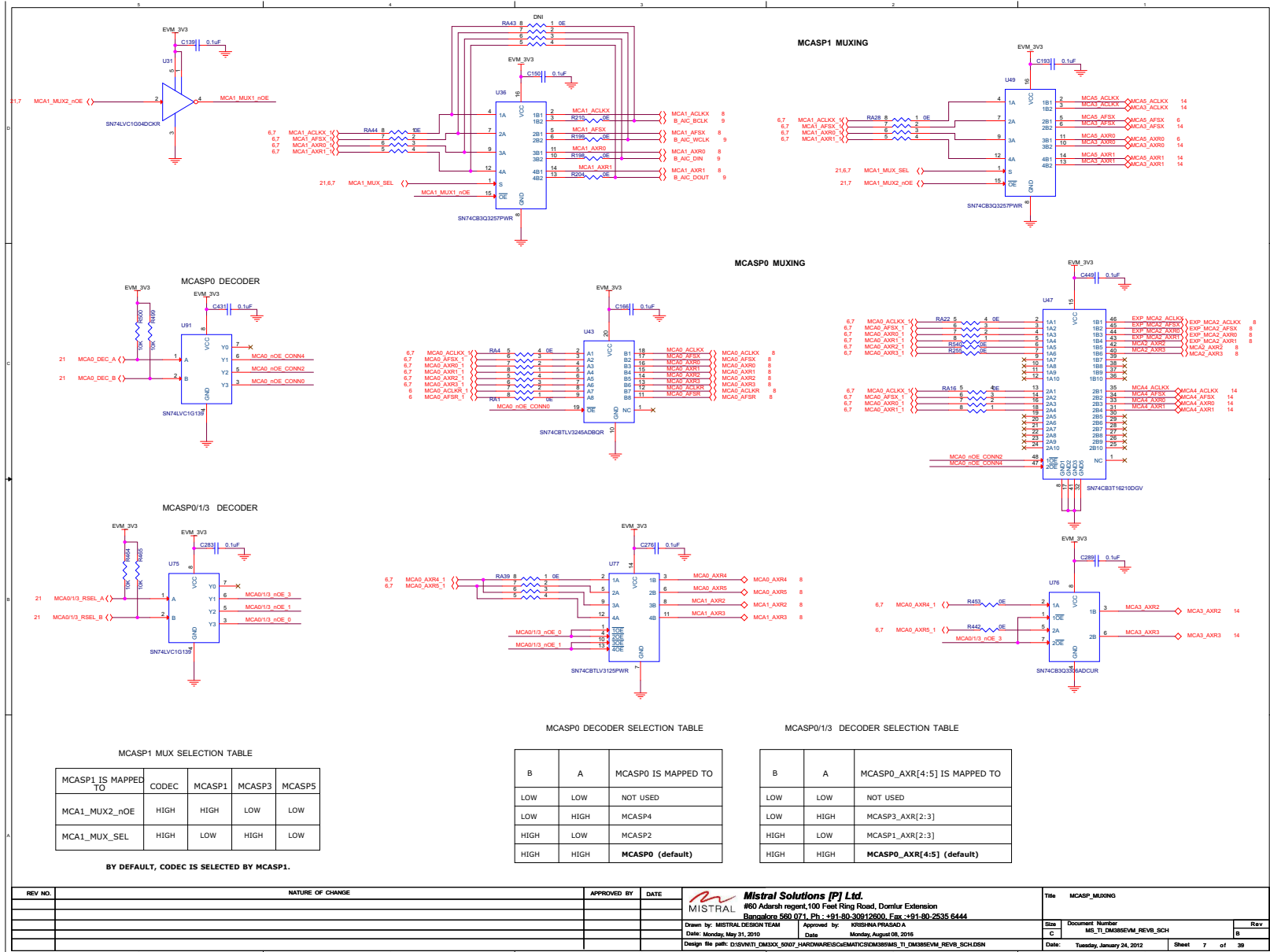
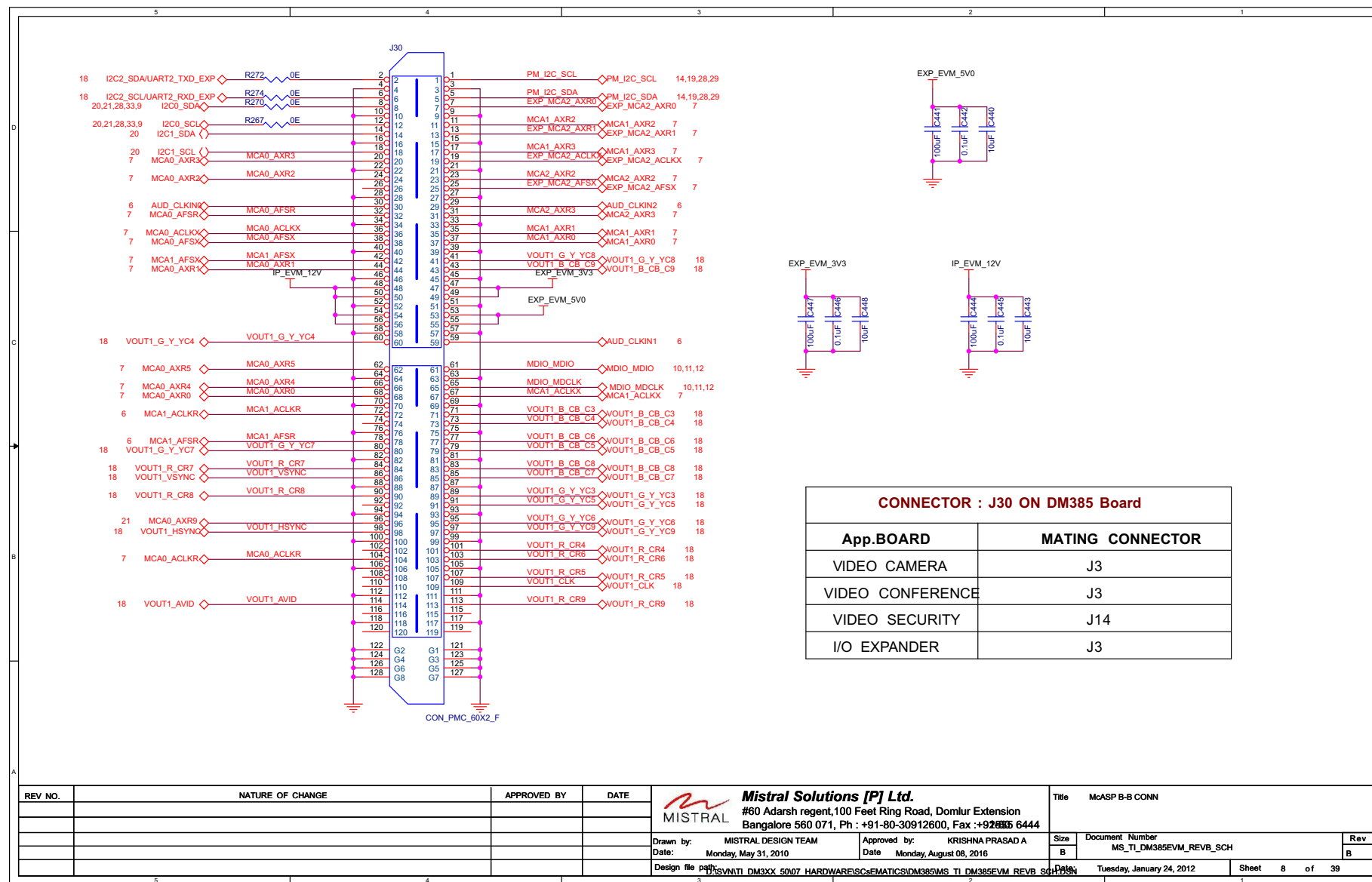


Figure A-7. McASP B-B Connection



| REV NO. | NATURE OF CHANGE | APPROVED BY | DATE |
|---------|------------------|-------------|------|
| | | | |
| | | | |
| | | | |

Mistral Solutions [P] Ltd.
 #60 Adarsh regent, 100 Feet Ring Road, Domlur Extension
 Bangalore 560 071, Ph : +91-80-30912600, Fax : +91-80-30912644

Drawn by: MISTRAL DESIGN TEAM Approved by: KRISHNA PRASAD A
 Date: Monday, May 31, 2010 Date: Monday, August 08, 2016

Design file path: P:\SVN\TI DM3XX 5007 HARDWARE\SCHEMATICS\DM385\MS TI DM385EVM REV B SCH.DSN Title: McASP B-B CONN

Size: B Document Number: MS_TI_DM385EVM_REV_B_SCH Rev: B

Printed: Tuesday, January 24, 2012 Sheet: 8 of 39

Figure A-8. AIC3106

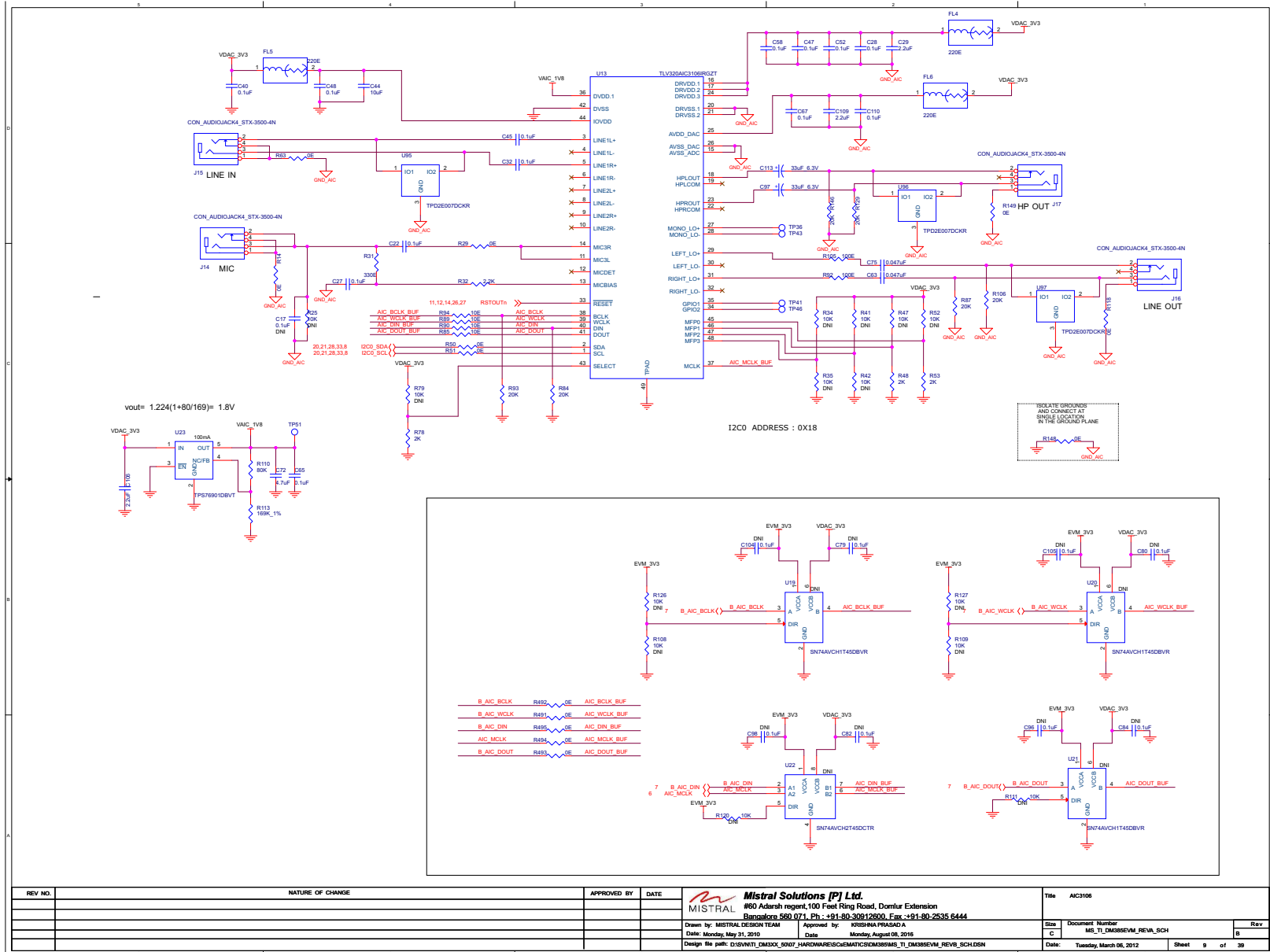


Figure A-9. GMII0 Interface

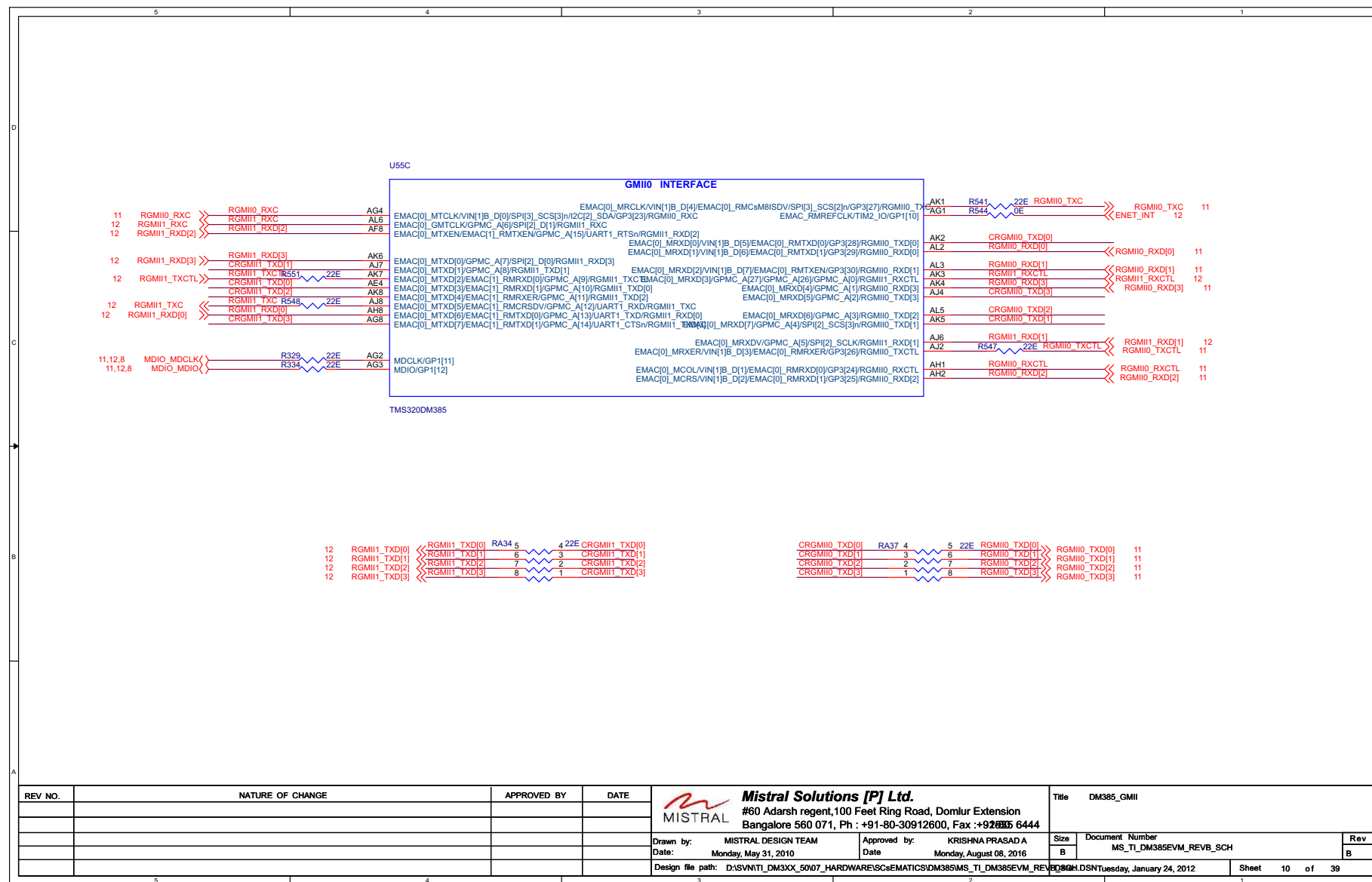
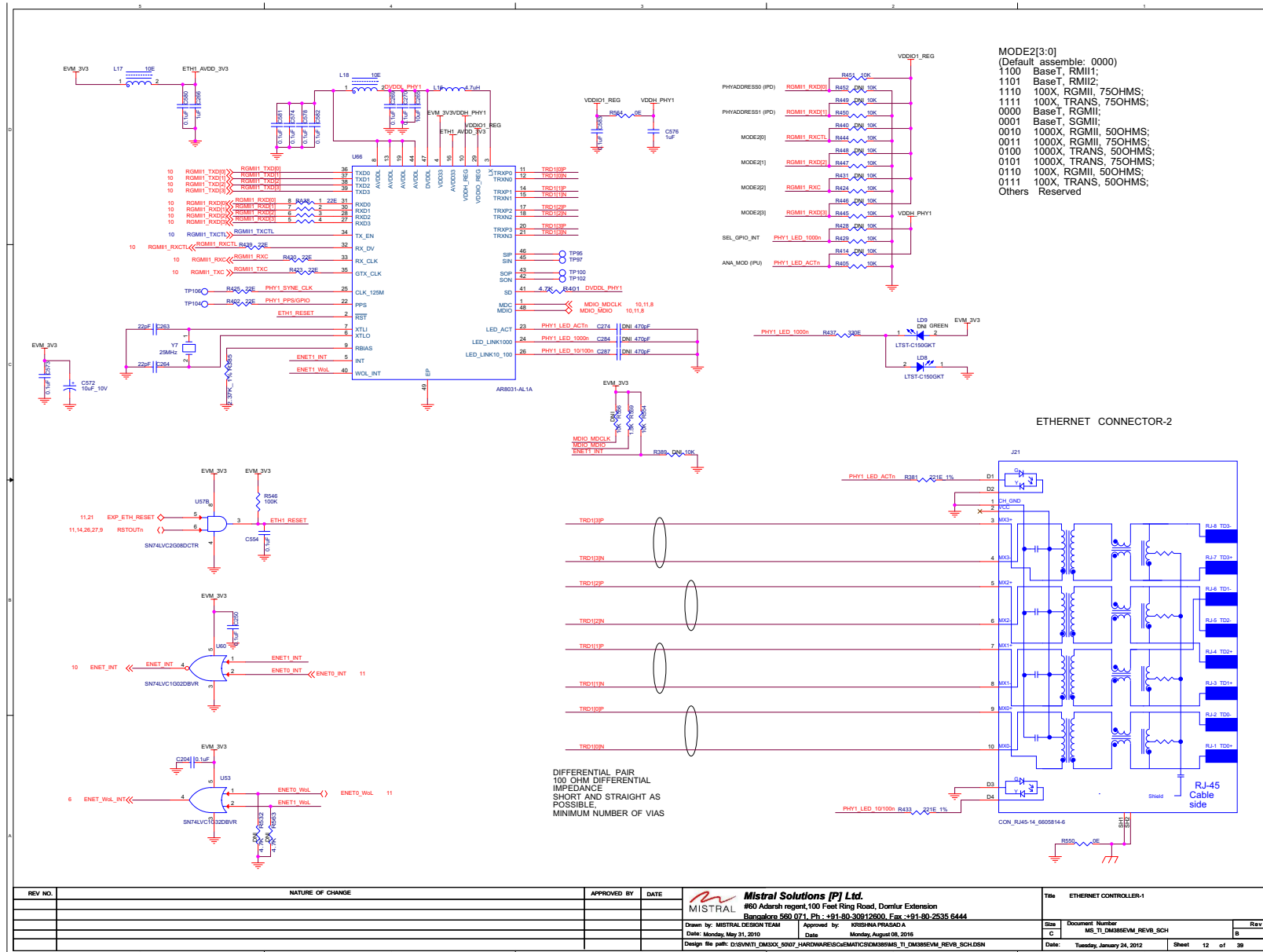


Figure A-11. Ethernet Controller 1



| REV. NO. | NATURE OF CHANGE | APPROVED BY | DATE | Mistral Solutions [P] Ltd. #60 Adarsh regent, 100 Feet Ring Road, Domlur Extension Bangalore 560 071, Ph : +91-80-30612600, Fax : +91-80-2535 6444 | Title | ETHERNET CONTROLLER-1 |
|----------|------------------|-------------|------|--|---|--|
| | | | | Design by: MISTRAL DESIGN TEAM Date: Monday, May 21, 2015 Approved by: KRISHNA PRASADA Date: Monday, August 08, 2016 Design file path: D:\SV\NT1_DM3XK_6007_HARDWARE\SCHEMATICS\DM3XKMS_TL_DM3BEVM_REV_B_SCH.DSN | S/N: _____ C: _____ Date: Tuesday, January 24, 2012 | Document Number: MS_TL_DM3BEVM_REV_B_SCH Rev: B Sheet 12 of 39 |

Figure A-12. NAND Flash

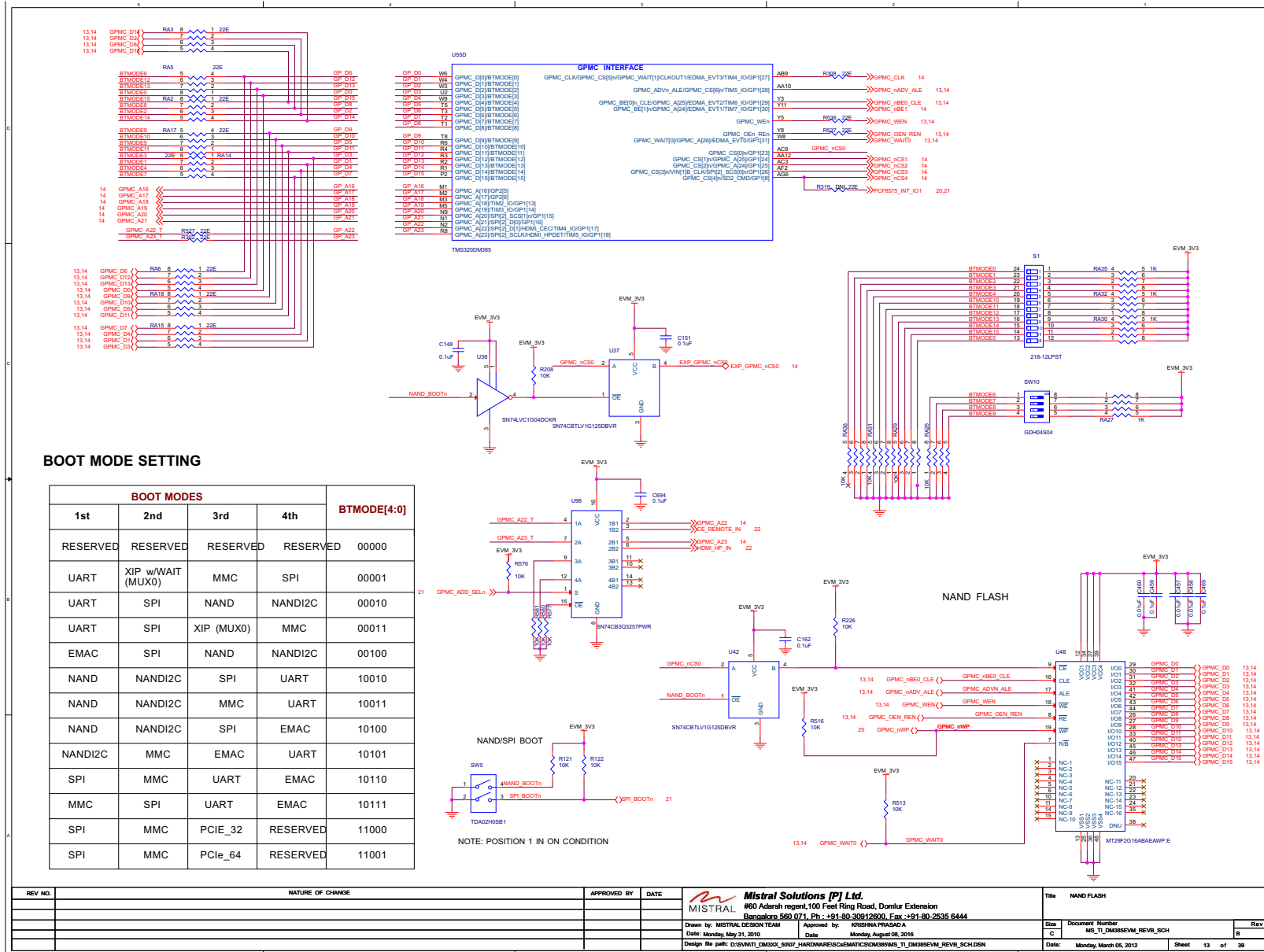
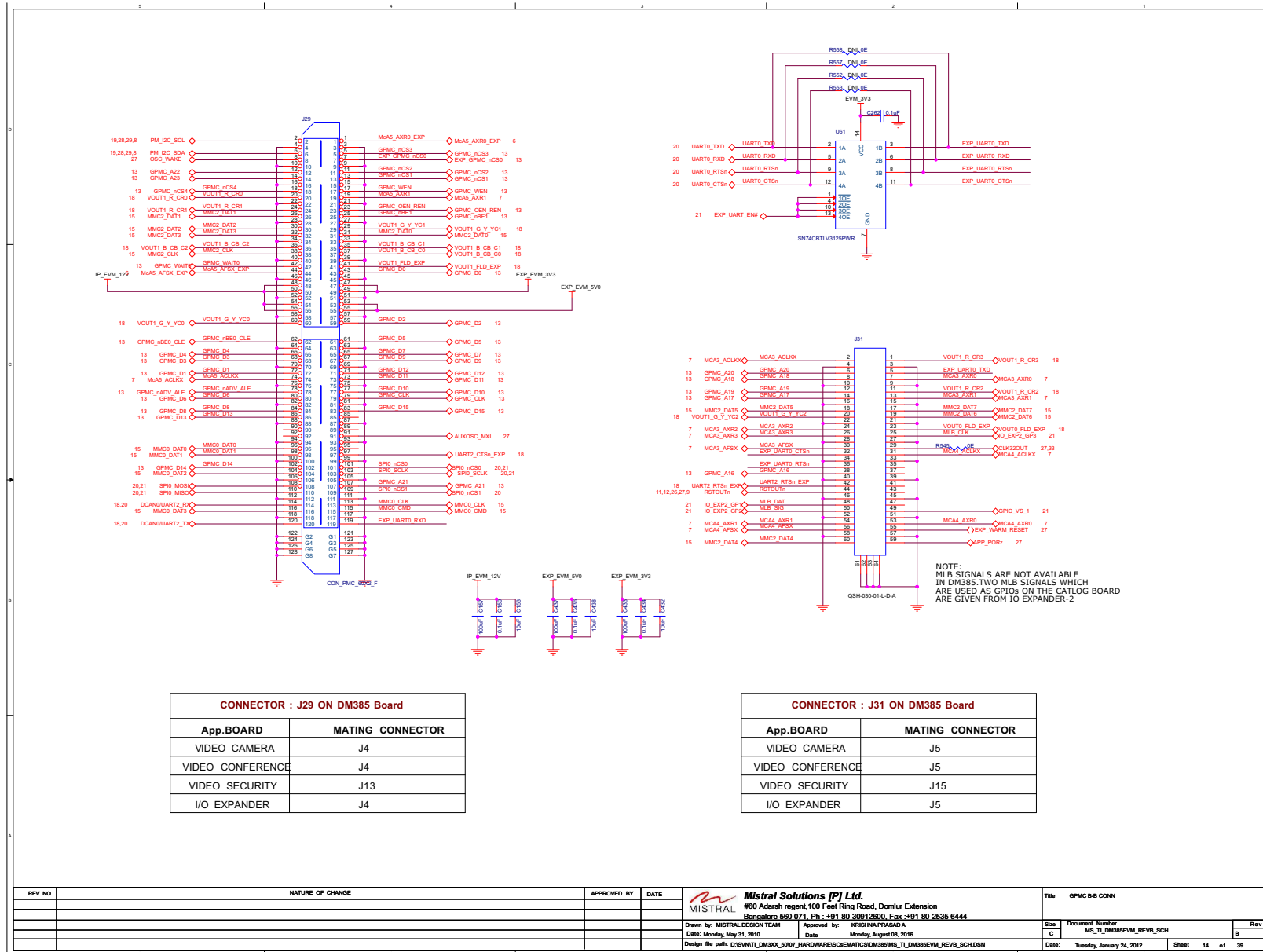


Figure A-13. GPMC B-B Connector



CONNECTOR : J29 ON DM385 Board

| App. BOARD | MATING CONNECTOR |
|------------------|------------------|
| VIDEO CAMERA | J4 |
| VIDEO CONFERENCE | J4 |
| VIDEO SECURITY | J13 |
| I/O EXPANDER | J4 |

CONNECTOR : J31 ON DM385 Board

| App. BOARD | MATING CONNECTOR |
|------------------|------------------|
| VIDEO CAMERA | J5 |
| VIDEO CONFERENCE | J5 |
| VIDEO SECURITY | J15 |
| I/O EXPANDER | J5 |

| REV. NO. | NATURE OF CHANGE | APPROVED BY | DATE | Design file path: d:\svn\nt1_dm385_6007_HARDWARE\SCHEMATIC\DM385MIS_TL_DM385REV_M_SCH.DSN | Date: Tuesday, January 24, 2012 | Sheet 14 of 39 |
|----------|------------------|-------------|------|---|---------------------------------|----------------|
| | | | | | | |

Figure A-16. DDR0-0, DDR0-1, DDR0-2, and DDR0-3

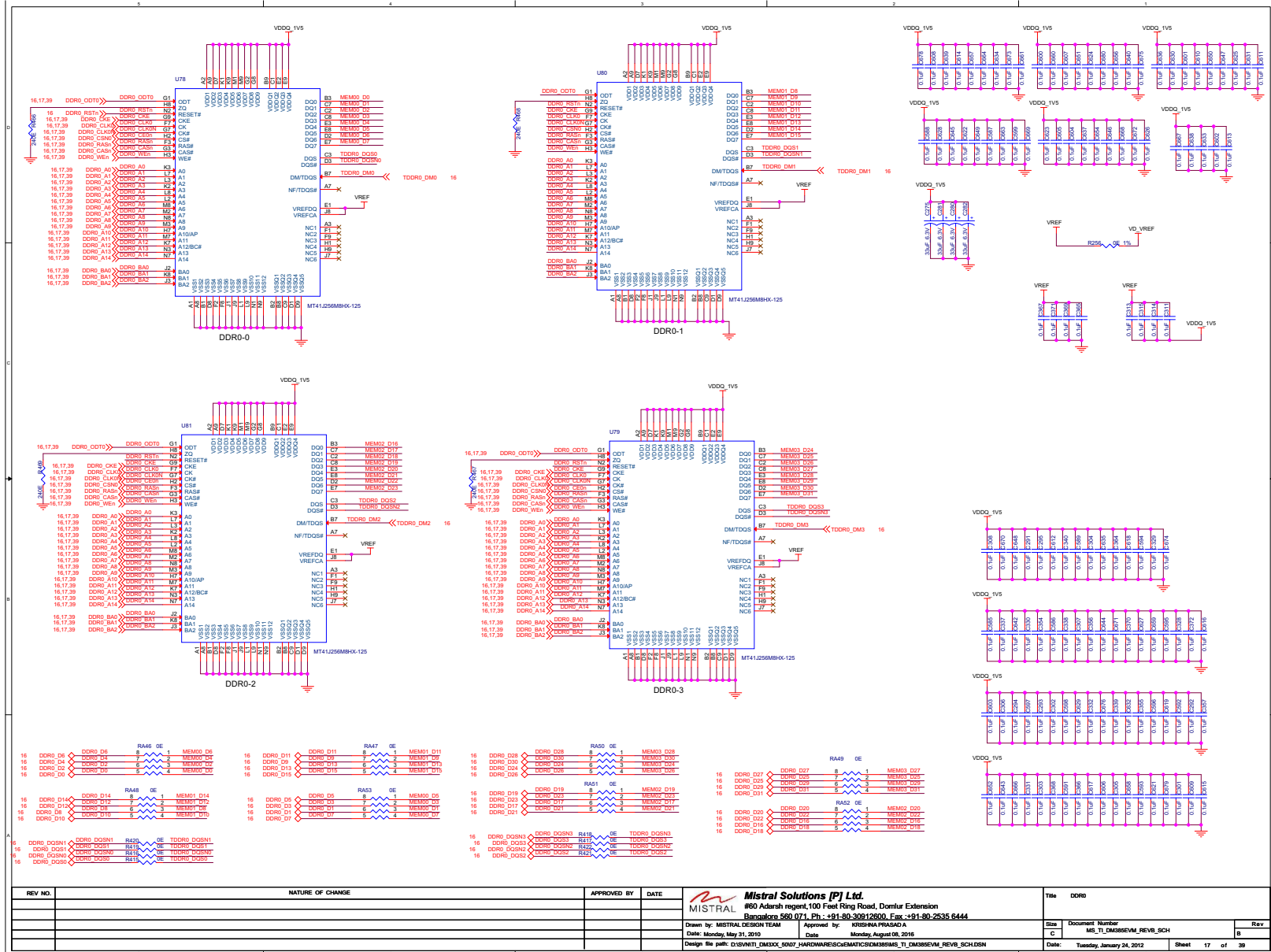


Figure A-19. DM385 Serial Interfaces

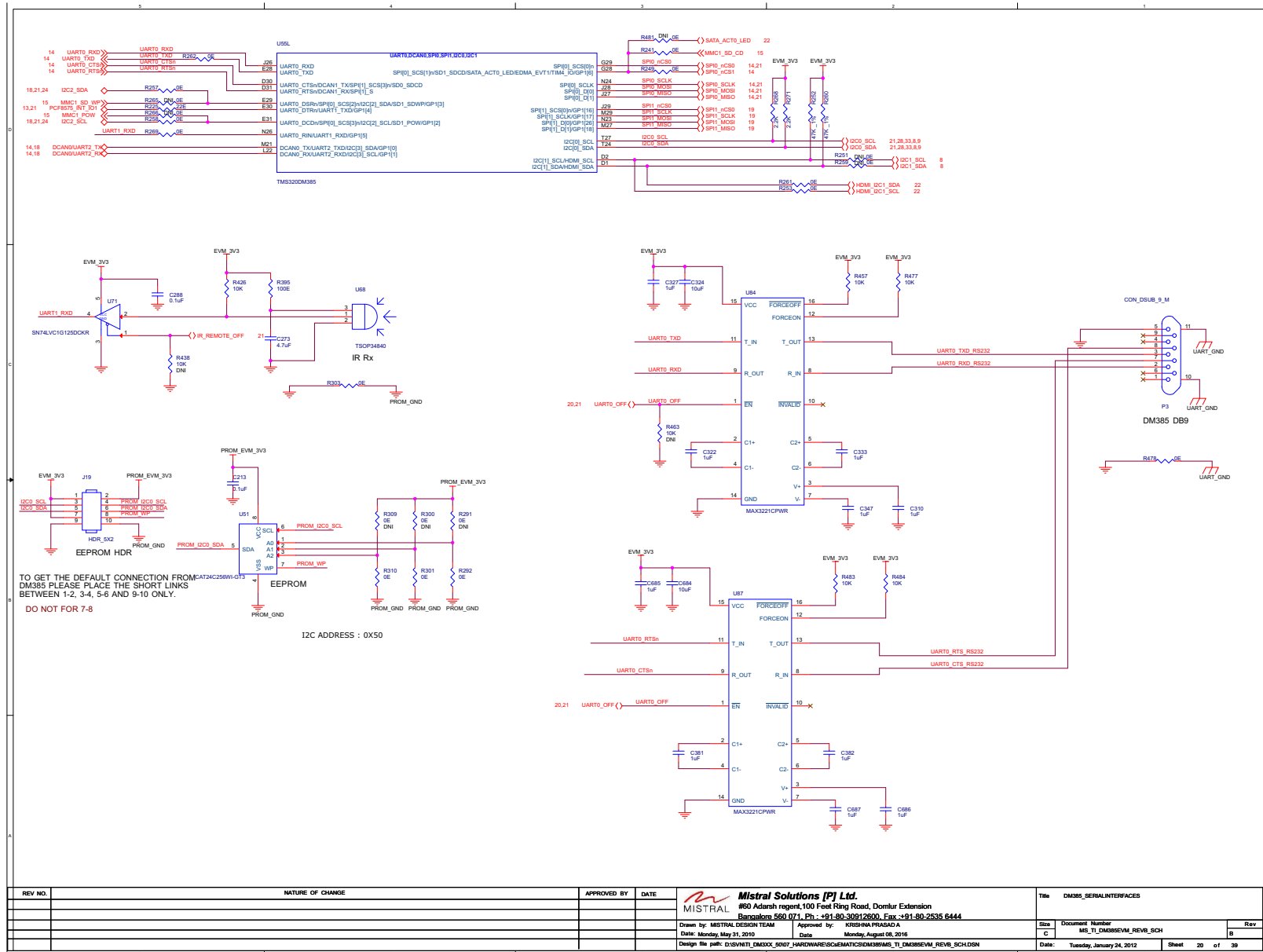


Figure A-20. SPI Flash

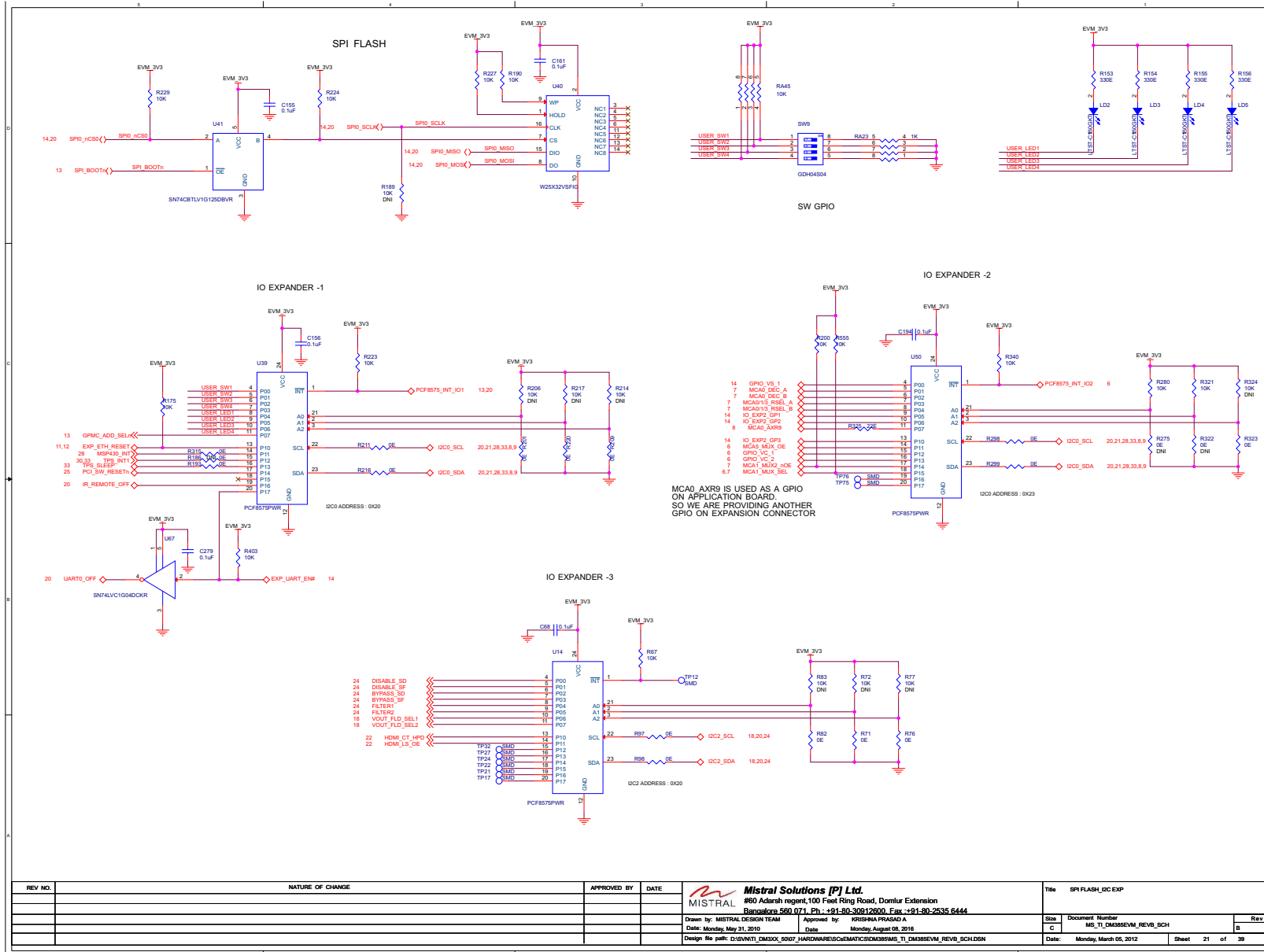


Figure A-21. DM385 HDMI, SATA, USB0, and USB1

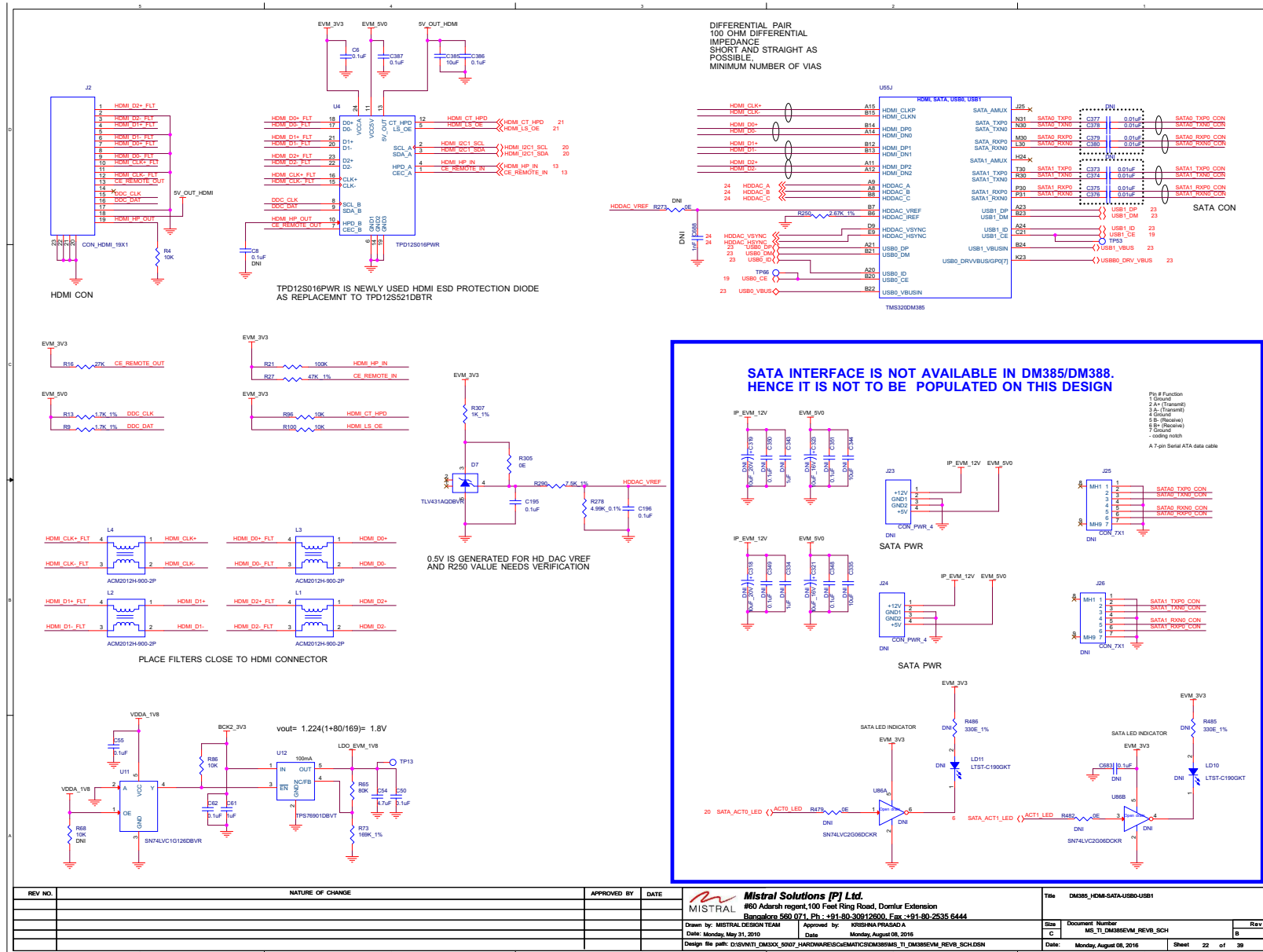
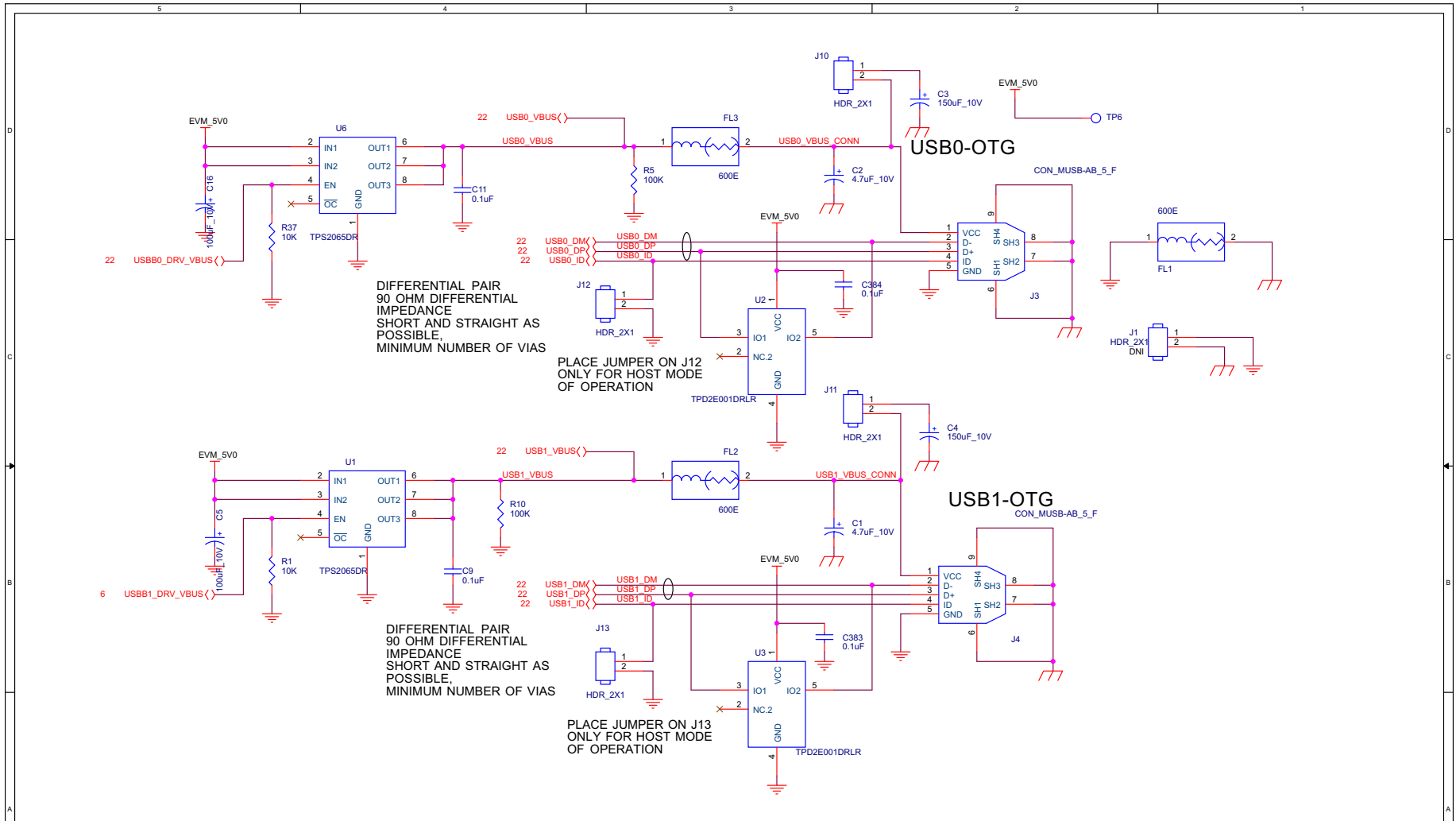


Figure A-22. USB Interface



| REV NO. | NATURE OF CHANGE | APPROVED BY | DATE | Mistral Solutions [P] Ltd. | | Title | |
|---|------------------|-------------|------|---|--|---|--|
| | | | | #60 Adarsh regent, 100 Feet Ring Road, Domlur Extension Bangalore 560 071, Ph : +91-80-30912600, Fax : +91-80-30912644 | | USB INTERFACE | |
| | | | | | | Drawn by: MISTRAL DESIGN TEAM Date: Monday, May 31, 2010 | Approved by: KRISHNA PRASAD A Date: Monday, August 08, 2016 |
| Design file path: D:\SV\N\TI_DM3XX_5007_HARDWARE\SC\EMATIC\DM385\MS_TI_DM385EVM_REV_B_SCH.DSN | | | | Date: Tuesday, January 24, 2012 | | Sheet 23 of 39 | |

Figure A-23. DM385 PCIe, JTAG, and Video

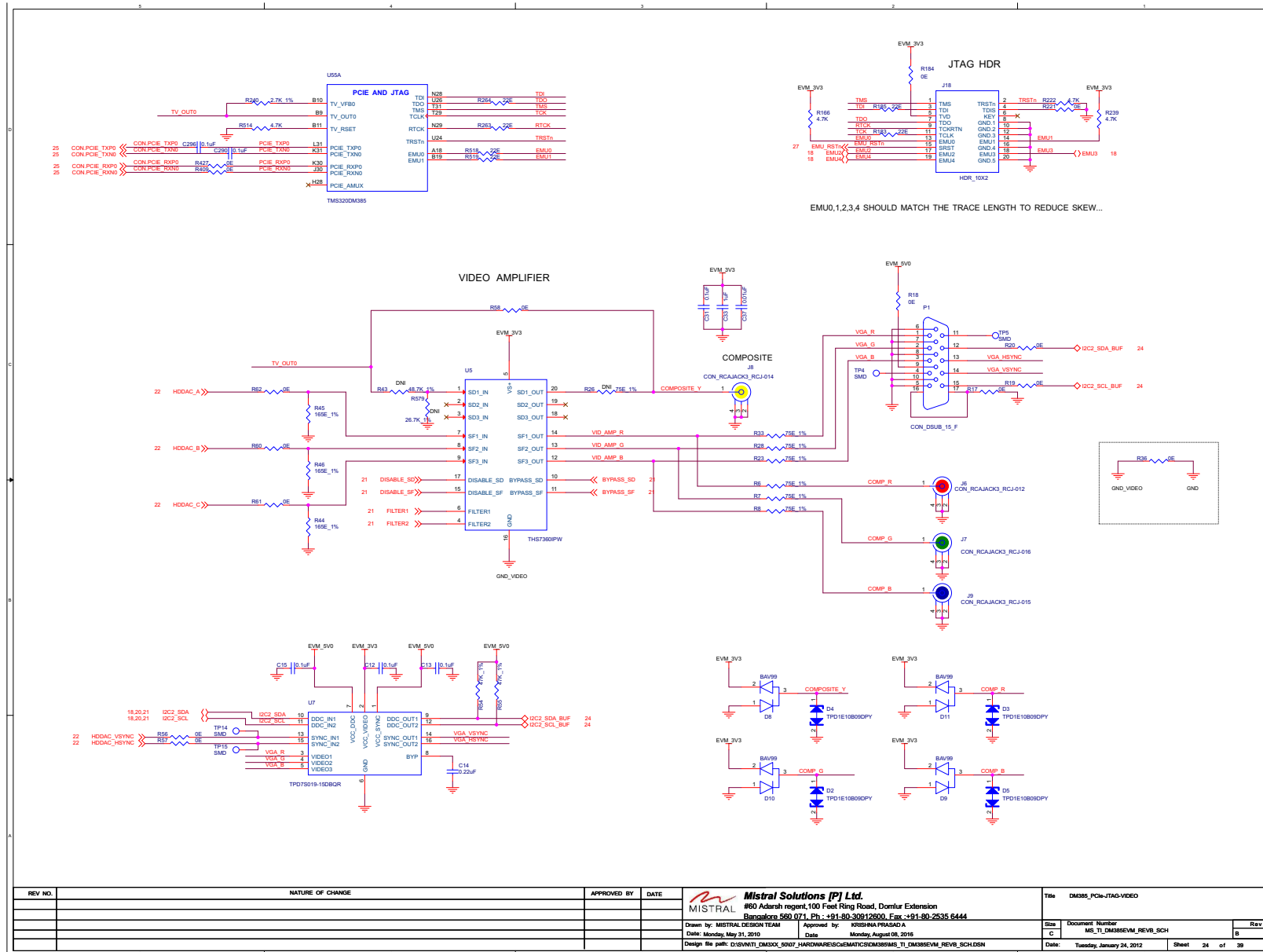


Figure A-24. PCIe Connector

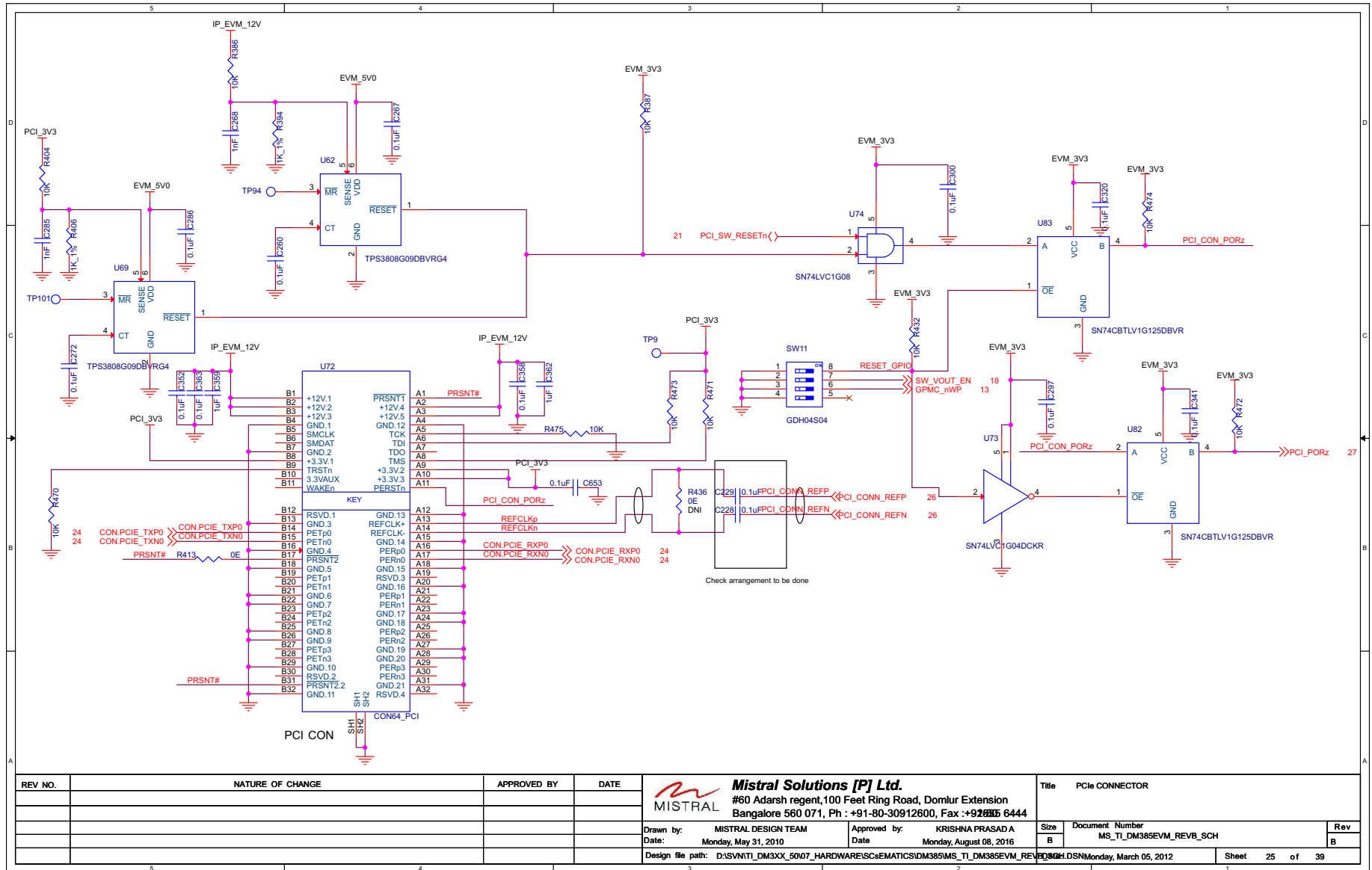


Figure A-25. SerDes Clocks

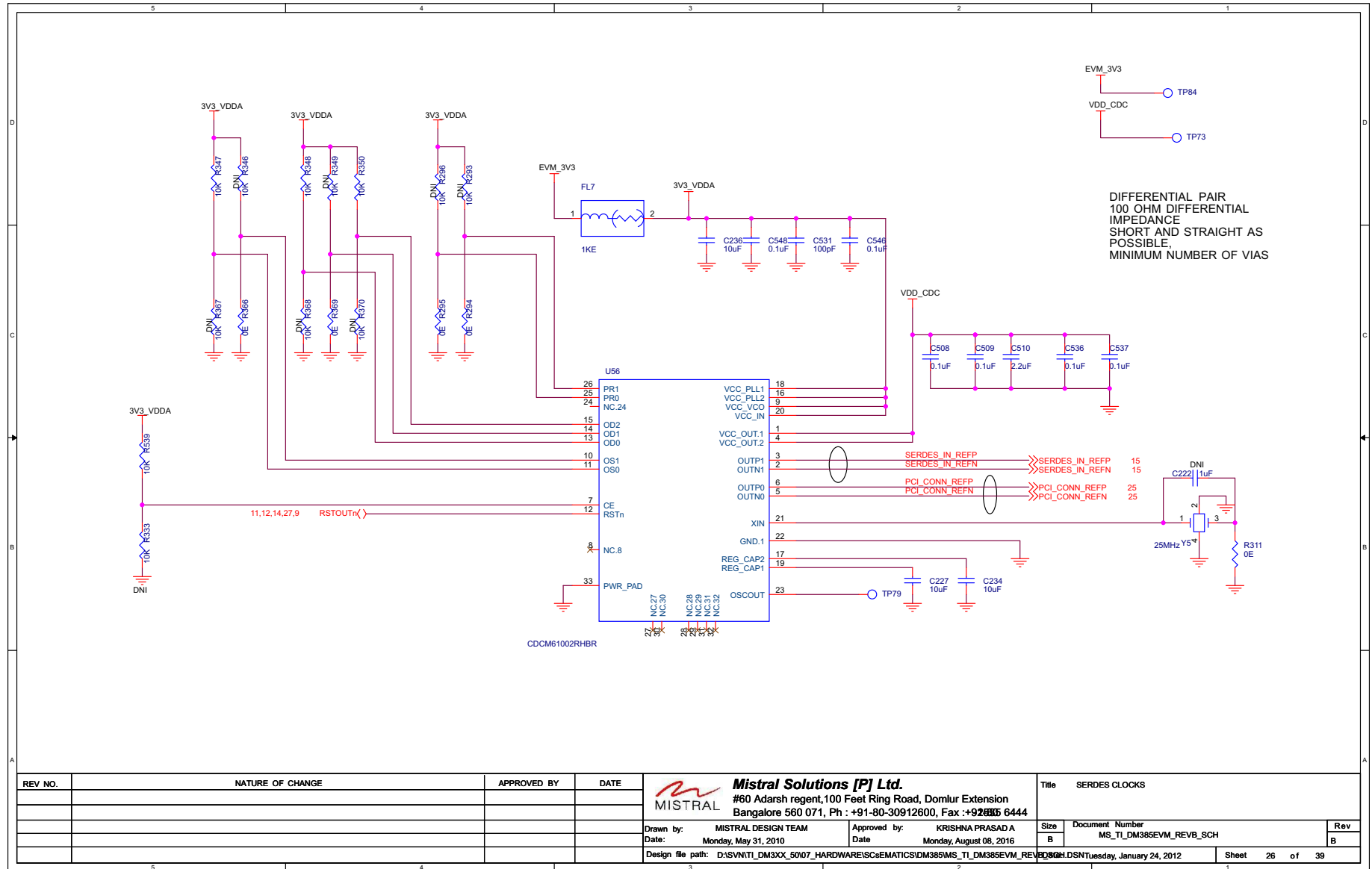


Figure A-28. Power Monitors

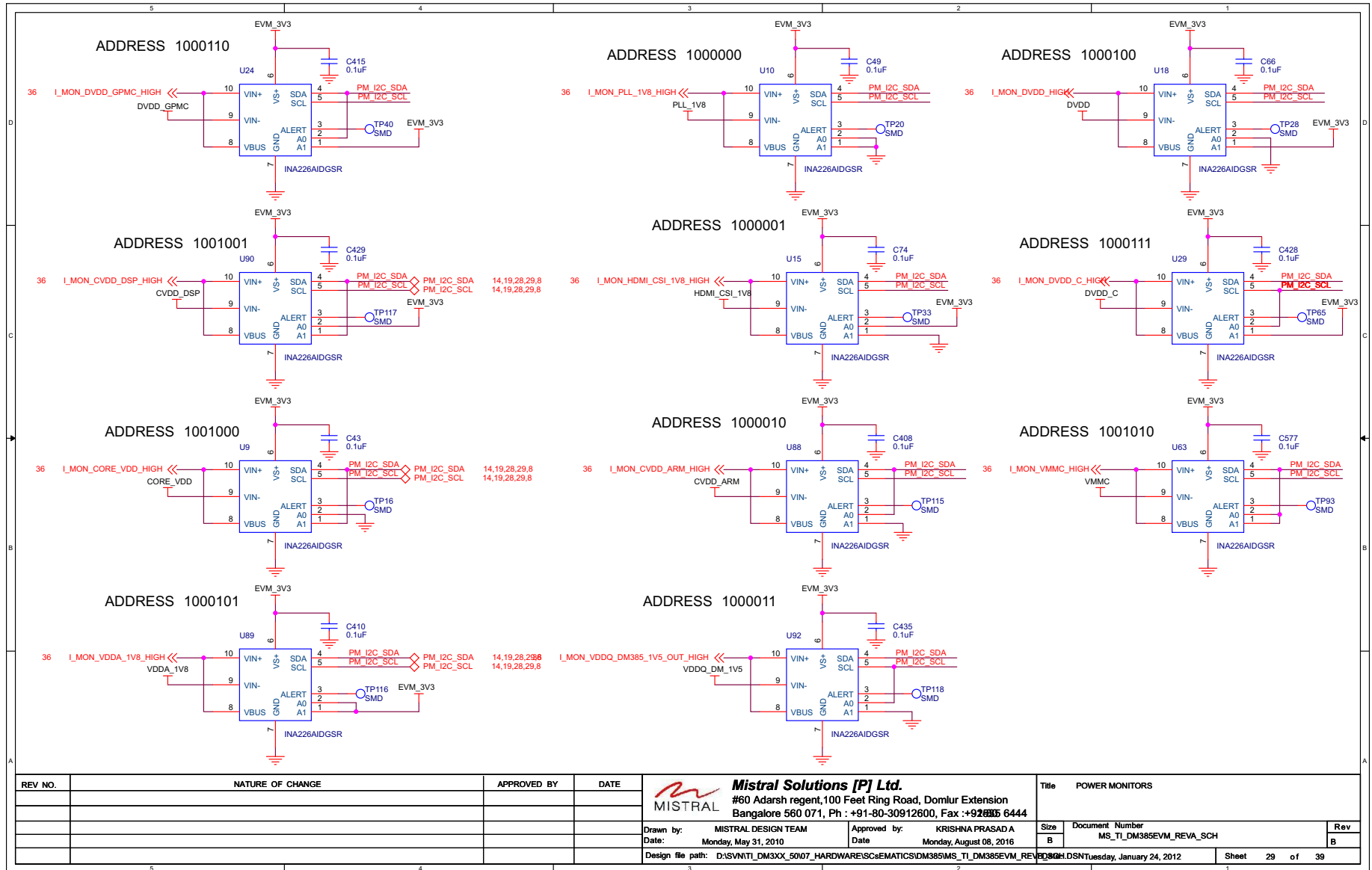


Figure A-30. DM385 VSS

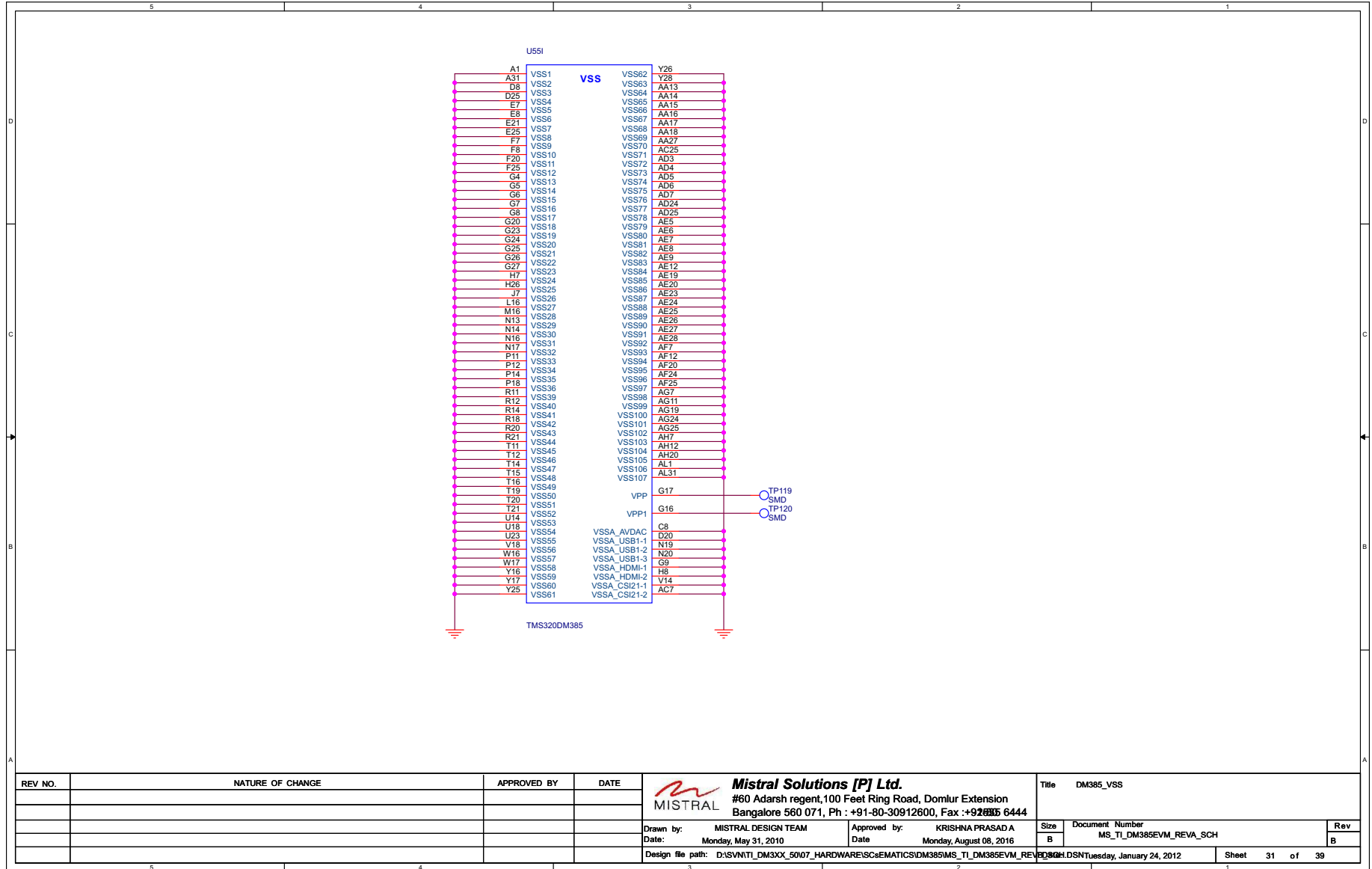
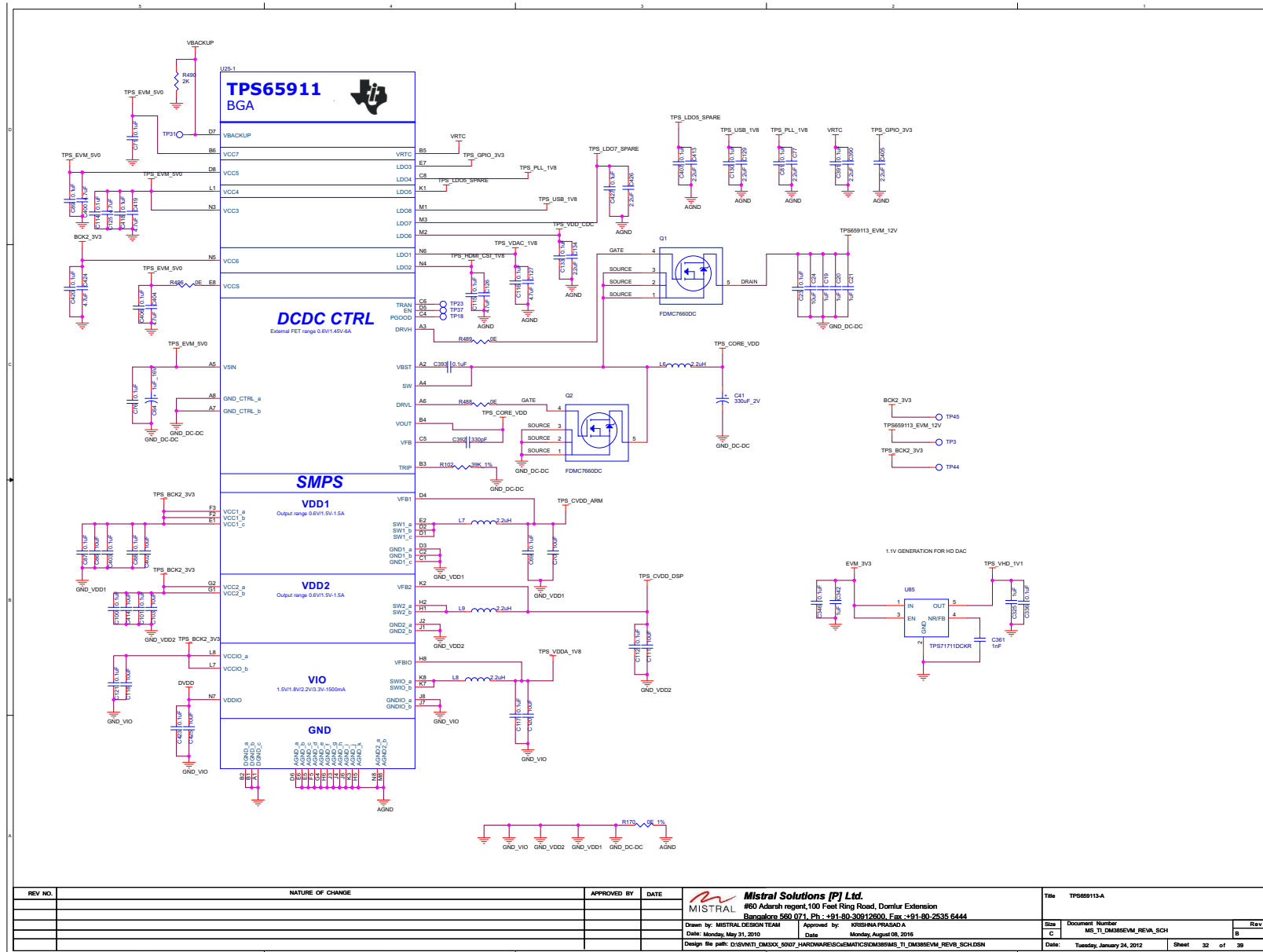


Figure A-31. TPS659113-A



| REV. NO. | NATURE OF CHANGE | APPROVED BY | DATE | Mistral Solutions (P) Ltd. | | Title | |
|----------|------------------|-------------|------|--|---|-----------------------------------|----------------|
| | | | | #60 Adarsh regent, 100 Feet Ring Road, Domlur Extension Bangalore 560 071, Ph : +91-80-30912600, Fax : +91-80-2535 6444 | | TPS659113-A | |
| | | | | Drawn by: MISTRAL DESIGN TEAM Date: Monday, May 21, 2010 | Approved by: KRISHNA PRASADA Date: Monday, August 09, 2016 | SNo: MS_TI_DM38REV_M_REV_SCH C | Rev: B |
| | | | | Design file path: C:\SVNT1_DM38X_6007_HARDWARE\SCHEMATICS\DM38RMS_TI_DM38REV_M_REV_SCH.DSN | | Date: Tuesday, January 24, 2012 | Sheet 32 of 39 |

Figure A-32. TPS659113-B

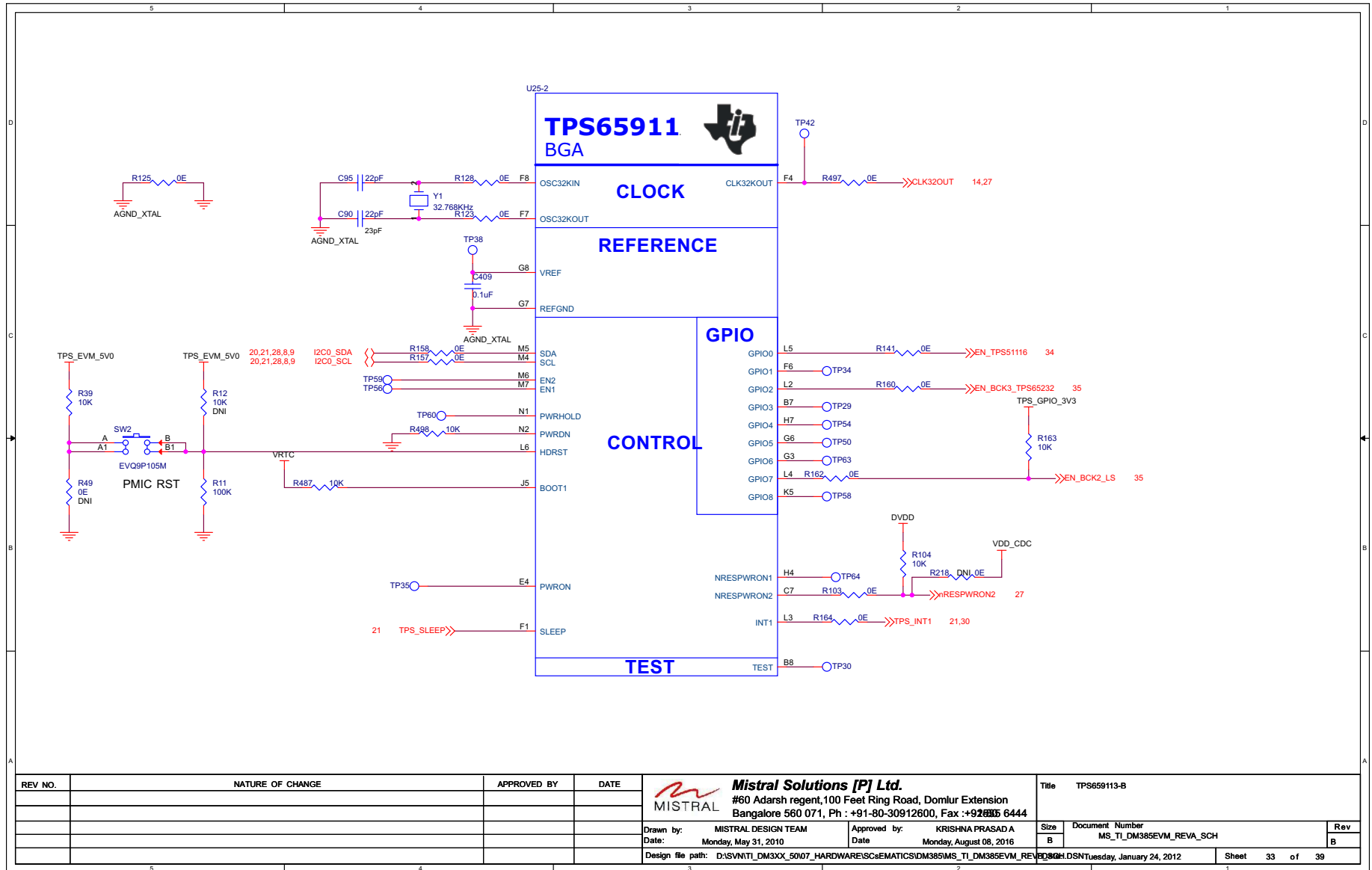


Figure A-33. TPS51116

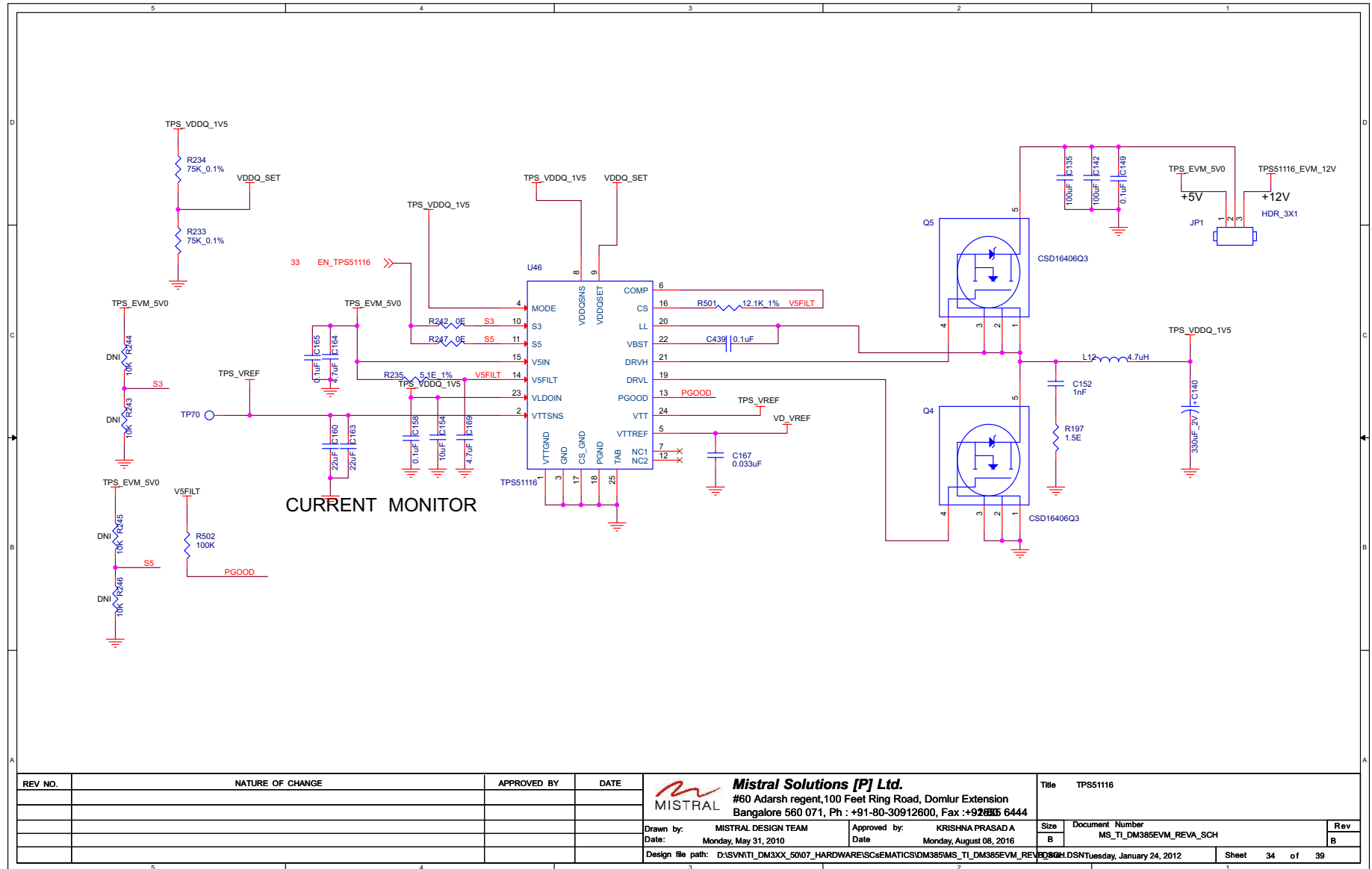


Figure A-34. TPS65232

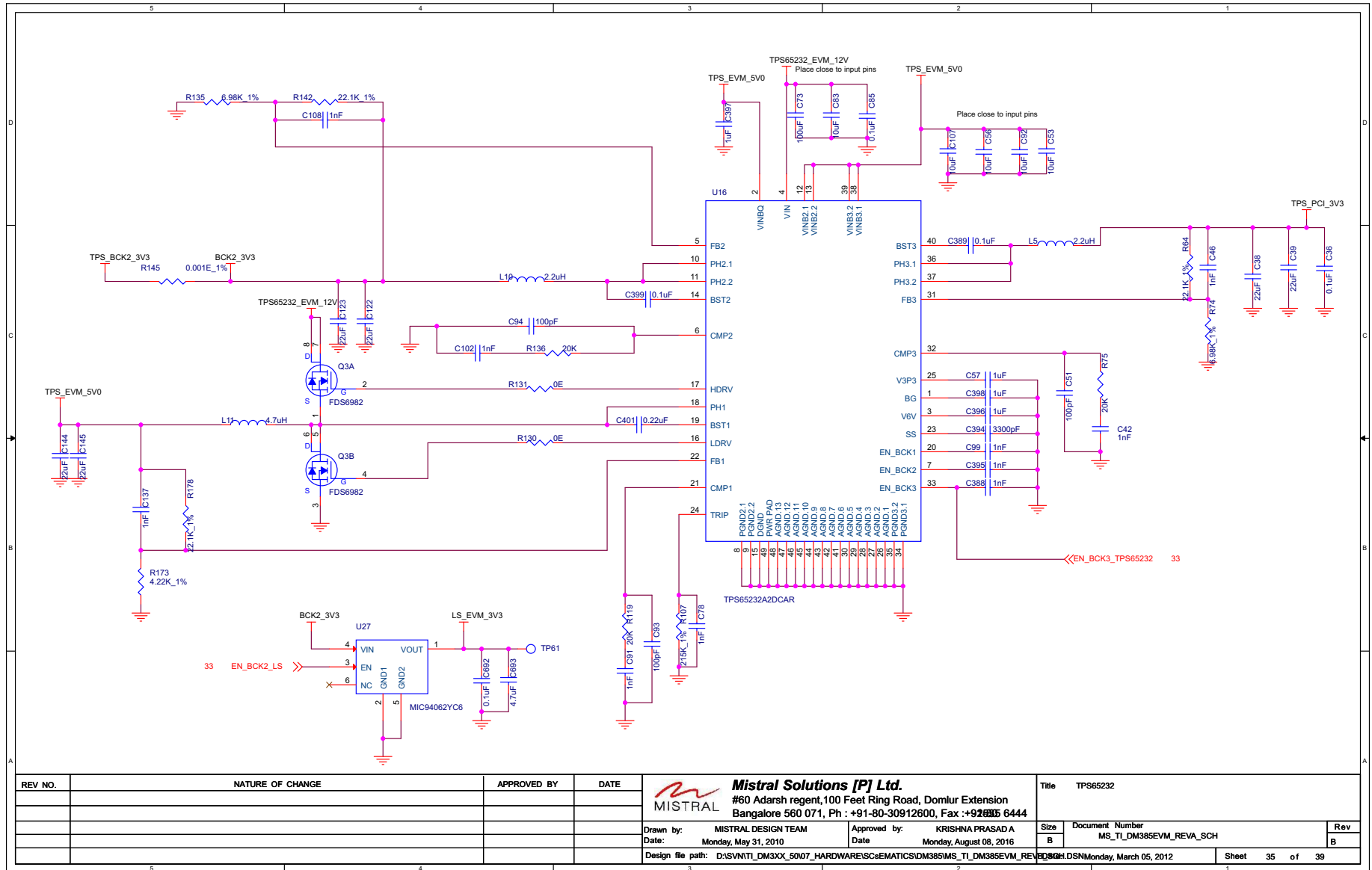
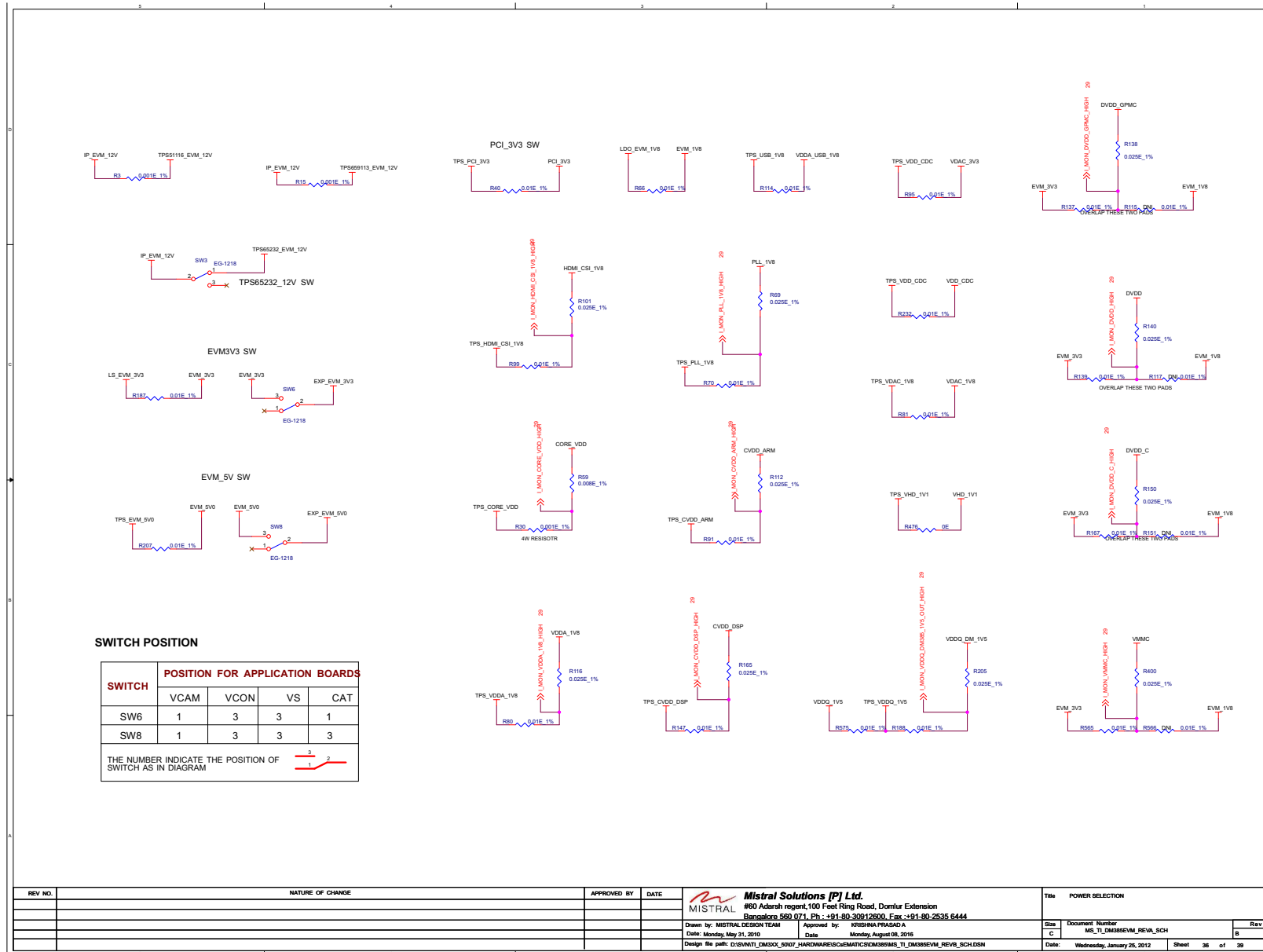


Figure A-35. Power Selection

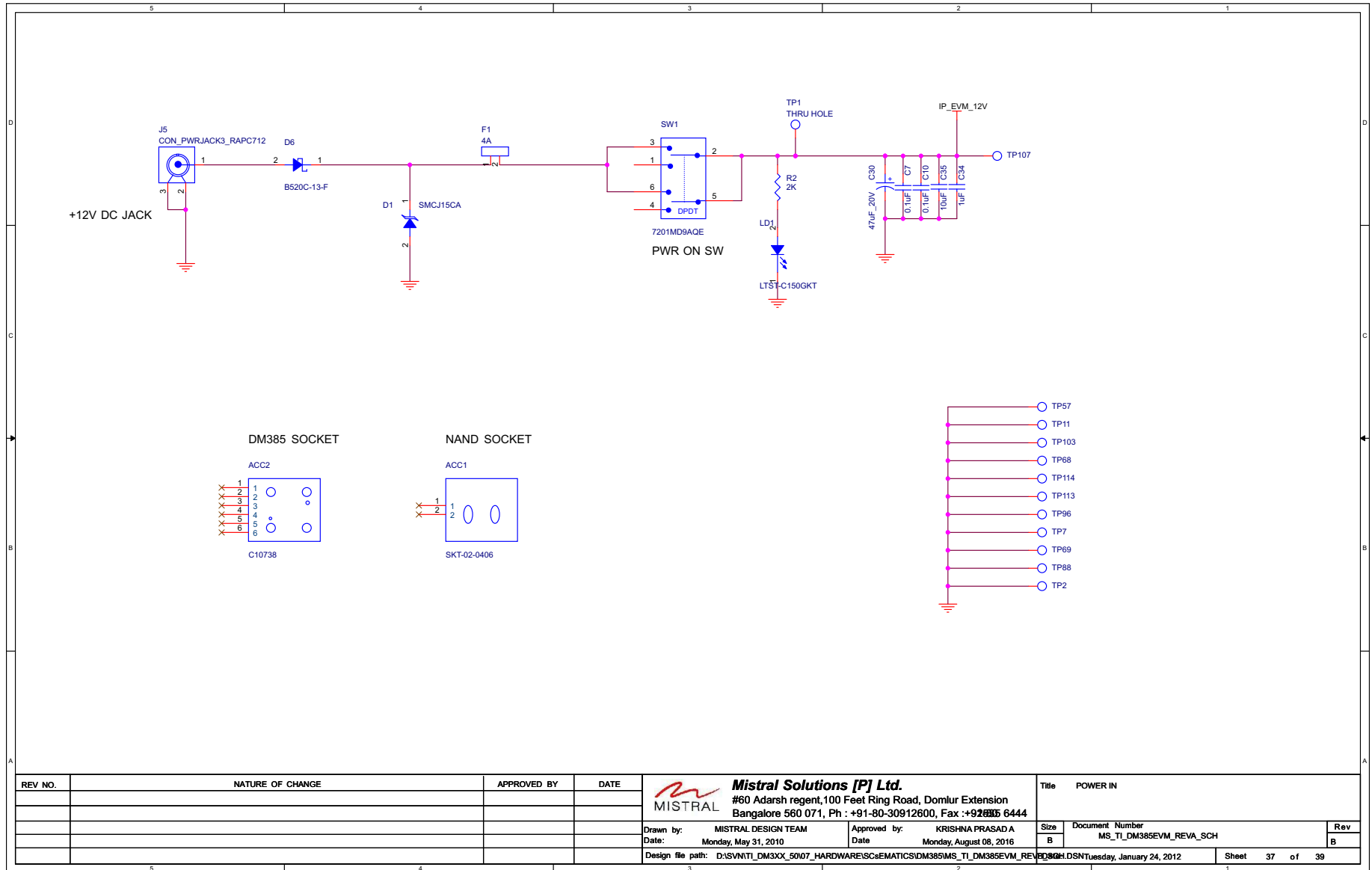


| REV. NO. | NATURE OF CHANGE | APPROVED BY | DATE | Design file path: D:\SV\NT1_DM3XX_6007_HARDWARE\SCHEMATICS\DM3B9MS_T_DM3BEVM_REV8_SCH.DSN | Date: Wednesday, January 25, 2012 | Sheet 36 of 39 |
|----------|------------------|-------------|------|---|-----------------------------------|----------------|
| | | | | | | |

Mistral Solutions (P) Ltd.
 #60 Adarsh regent, 100 Feet Ring Road, Domlur Extension
 Bangalore 560 071, Ph : +91-80-30912600, Fax : +91-80-2535 6444
 Down by: MISTRAL DESIGN TEAM Approved by: KRISHNA PRASADA
 Date: Monday, May 31, 2010 Date: Monday, August 19, 2010

| Title POWER SELECTION | | Rev |
|-----------------------|--|-----|
| Sub C | Document Number MS_TI_DM3BEVM_REV8_SCH | B |

Figure A-36. Power In



| REV NO. | NATURE OF CHANGE | APPROVED BY | DATE |
|---------|------------------|-------------|------|
| | | | |
| | | | |
| | | | |

Mistral Solutions [P] Ltd.
 #60 Adarsh regent, 100 Feet Ring Road, Domlur Extension
 Bangalore 560 071, Ph : +91-80-30912600, Fax : +91-80-30912600

Drawn by: MISTRAL DESIGN TEAM Approved by: KRISHNA PRASAD A
 Date: Monday, May 31, 2010 Date: Monday, August 08, 2016

Design file path: D:\SV\NITL_DM3XX_5007_HARDWARE\SCHEMATICS\DM385MS_TI_DM385EVM_REV02.DSN

| | |
|---------------------------------|---|
| Title POWER IN | |
| Size B | Document Number MS_TI_DM385EVM_REVA_SCH |
| Date: Tuesday, January 24, 2012 | Sheet 37 of 39 |

Figure A-37. Changes in Schematics

| SL NO# | CHANGES IN THE SCHEMATICS COMPARED TO CENTAURUS. | SL NO# | CHANGES IN THE SCHEMATICS COMPARED TO CENTAURUS. |
|--------|--|--------|---|
| 1 | MLB SIGNALS ARE REMOVED. | 39 | CLOCK DRIVER IC IDT74FCT38075DCG(U65) IS CHANGED TO CDCV304PW. |
| 2 | ONE MORE SATA (SATA1) CONNECTOR ADDED. | 40 | CODEC SIGNALS FROM MCASP MUXING STAGE IS PASSED THROUGH BUFFER ICs SN74AVCH145DBUR (U19,U20,U21) & SN74AVCH2145DCTR (U22). BUFFER ICs ARE MADE DNI.OE RESISTOR OPTION IS GIVEN TO BYPASS THE BUFFER STAGE. |
| 3 | S-VIDEO SIGNALS REMOVED. | 41 | RESISTOR DIVIDER CKT TO GET VREF FOR DDR INTERFACE IS REMOVED AND VD_VREF IS TAKEN FROM TPS51116(PIN 5) DIRECTLY. |
| 4 | NEW DDR PART IS ADDED(ONLY FOR DDR0). DDR1 IS REMOVED. | 42 | A15 & B15 SIGNALS ARE SWAPPED.N30 & N31 SIGNALS ARE SWAPPED.P20 & P21 ARE CHANGED FROM VSS TO VDD5_OSC1 & VDD5_OSC0 respectively. |
| 5 | COMPOSITE VIDEO SIGNALS ARE TAKEN THROUGH VIDEO AMPLIFIER IC PROVIDING OPTION FOR DIRECT CONNECTION. | 43 | TESTPOINTS TP128,TP129 & TP130 ARE REMOVED AND J25,H24 & H28 OF DM385 IS MADE NC. |
| 6 | HDDAC SIGNALS ARE CONNECTED TO VIDEO AMPLIFIER THS7360IPW AND THEN THE OUTPUT ARE CONNECTED TO VGA CONN AND ALSO TO COMPONENT VIDEO CONNECTORS(RGB). | 44 | GPIO_VS_1 FROM IO EXPANDER-2 IS ADDED TO COMPENSATE FOR MLB_CLK SIGNAL ON CENTAURUS. THIS SIGNAL IS USED AS GPIO ON VS BOARD. |
| 7 | 27 MHz CRYSTAL IS ADDED INSTEAD OF 22.579MHZ. | 45 | AN OR-GATE(U53) IS ADDED TO ENABLE THE WAKE-on-LAN FUNCTIONALITY OF ATHEROS CHIP. PCF8575_INT_VA INTERRUPT FROM IO EXPANDER-3 IS TERMINATED TO A TESTPOINT.INSTEAD OF THIS SIGNAL, ENET_WOL_INT INTERRUPT IS CONNECTED TO GP0[12] OF DM385. |
| 8 | IO EXPANDER-3 WITH I2C ADDRESS 0x20 IS ADDED. INTERRUPT PCF8575_INT_VA FROM THIS IC IS GIVEN TO SDO_DAT[6]/GP0[12]. | 46 | C64 IS CHANGED TO PART NO# F931C105MAA. RJ-45 SYMBOL UPDATED. FL10,FL11,FL12,FL13 (TCE1210) IS REPLACED WITH TCM1210. |
| 9 | HDMI ESD SUPPRESSOR TPD12S016RKT1 IS ADDED INSTEAD OF TPD12S521DBTR. HDMI_CT_HPD AND HDMI_LS_0E SIGNALS ARE TAKEN FROM NEWLY ADDED IO EXPANDER-2 WHOSE INTERRUPT IS CONNECTED TO SDO_DAT[7]/GP0[13]. | 47 | TPD2E001(U122) ESD PROTECTION DEVICE FOR COMPOSITE VIDEO SIGNAL IS ADDED. TPD3E001(U123) ESD PROTECTION DEVICE FOR COMPONENT VIDEO SIGNALS IS ADDED. |
| 10 | MCASP0 AND MCASP1 MUXING IS ADDED. 2-4 DECODER IS USED TO ENABLE SWITCHING. IO EXPANDER-2 IS USED TO ENABLE DECODER. | 48 | R59 IS CHANGED TO 8mE. |
| 11 | EXPANSION CONNECTOR(DR1) TO GET POWER TO THE 8B IS REMOVED. POWER SELECTION SECTION IS MODIFIED ACCORDINGLY. | 49 | INA226 DEVICES ARE ADDED TO MONITOR DVDD,DVDD_C AND VMCC. |
| 12 | OPTION TO SELECT I2C2 OR UART2 SIGNALS IS PROVIDED.BUFFERS USED ARE ENABLED BY I2C2/UART2_SEL SIGNAL FROM IO EXPANDER-1. | 50 | PLL_1V8,HDMI_CSI_1V8 & DVDD_GPMC POWER LINES ARE MONITORED INSTEAD OF BCK2_3V3,EVM_SV0 & VDDQ_1V5 POWER LINES USING U10,U15 & U24 RESPECTIVELY. |
| 13 | SINCE THE MLB_DAT AND MLB_SIG IS NOT AVAILABLE IN DM385 TWO GPIOs FROM IO EXPANDER -2 IS GIVEN TO EXPANSION CONNECTOR WHICH ARE USED AS GPIOs ON THE CATLOG BOARD. | 51 | 20MHz CRYSTAL (Y3) IS CHANGED TO SMALLER SIZE PACKAGE CRYSTAL WITH PN# 403C11A20M00000. |
| 14 | POWER VDDQ_CENT_1V5 IS CHANGED TO VDDQ_DM_1V5 | 52 | L6 IS CHANGED FROM 2.7uH TO 2.2uH. Q1 & Q2 IS CHANGED TO FDMC7660DC FROM FDS8812NZ. |
| 15 | SATA INDICATOR LED IS ADDED. | 53 | R179 & R427 ARE REMOVED FROM THE DESIGN. |
| 16 | MCA_AXR[6-8] SIGNALS ARE REMOVED FROM THE CONNECTOR SIDE. | | |
| 17 | MCA_AXR[9] SIGNAL WHICH IS USED AS GPIO IN VC BOARD IS TAKEN FROM IO EXPANDER-2 | | |
| 18 | BUS FET SWITCH IS ADDED THROUGH WHICH UART0 SIGNALS ARE CONNECTED TO EXPANSION CONNECTOR. | | |
| 19 | I2C2 BUFFER IS ADDED AND SIGNALS ARE GIVEN TO IO EXPANDER-3 AND VGA CONNECTOR. | | |
| 20 | POWER MONITORING IC INA220 IS UPDATED WITH INA226. | | |
| 21 | SN74CBTLV3384PW(U3 & U40) ICs ARE REPLACED WITH SN74CB3Q3257PWR.DECODER USED FOR MCASP1 MUXING IS REMOVED. | | |
| 22 | R399,R392,R254,R248,R522 ---0E RESISTORS ARE REPLACED WITH 22E. R579,R494 ARE REMOVED. | | |
| 23 | PCA9306(U85 & U102) ICs ARE REPLACED WITH TCA4311A. | | |
| 24 | OPTION FOR SELECTING MCA5_AFSR/AXR0 OR GPIOs FOR VC BOARD FROM IO EXPANDER-2 IS PROVIDED USING MUX. | | |
| 25 | GPIO (IO_EXP2_GP3) FROM IO EXPANDER-2 IS PROVIDED TO COMPENSATE FOR MLB_CLK SIGNAL. | | |
| 26 | 0E OPTION IS GIVEN FOR VIN[0]A_VSYNC/GP2[4](C13).0E OPTION IS GIVEN FOR VIN[0]A_HSYNC/GP2[3] (D13) | | |
| 27 | IO EXPANDER-1 INTERRUPT PCF8575_INT_I01 IS CHANGED FROM GP1[8] TO GP1[4]. | | |
| 28 | MUXING OPTION IS GIVEN TO SELECT DIFFERENT FUNCTIOS OF VOUT0/1_FLD PINS.ONE MORE DECODER IS ADDED TO SELECT ONE FUNCTION AT A TIME. | | |
| 29 | I2C2/UART2_SEL SIGNAL IS REMOVED FROM THE IO EXPANDER-1 & IS TAKEN FROM DECDER WHICH BY DEFAULT SELECT VOUT0/1_FLD SIGNAL. | | |
| 30 | IO EXPANDER-1 INTERRUPT IS TAKEN FROM GP1[4] INSTEAD OF GP1[8]. | | |
| 31 | U68 & ITS BIASING CIRCUITRY (1.2V FOR TPS_CVDD_HDVICP) OF CENTARAUS IS REMOVED AND ALSO U22(INA226) IS REMOVED | | |
| 32 | TPS71711DCKR IS ADDED NEWLY TO GENERATE 1.1V FOR HD DAC | | |
| 33 | TPD6E001 ESD SUPPRESSOR IS ADDED | | |
| 34 | INA220 IS UPDATED TO INA226 | | |
| 35 | U80,U81,U106 & U112 ARE DELETED.TPD75019 (U7) IS ADDED. | | |
| 36 | RA86 IS REPLACED WITH 0E SERIES RESISTORS. R476 PACKAGE ISCHANGED TO 0402. | | |
| 37 | EN_TPS62350 SIGNAL FROM TPS659113 IS REMOVED AS WE HAVE HAVE REMOVED TPS62350 IC. | | |
| 38 | Q6 & Q7 ARE REMOVED.SN74LVC2G60DC(U86) IS ADDED IN THE SATA LED INDICATOR SECTION. Y6 CRYSTAL MA-506 27,0000M-CO(FUND):ROHS IS REPLACED WITH NEW PART ABM8-27.000MHZ-B2-T. | | |

| REV NO. | NATURE OF CHANGE | APPROVED BY | DATE | Rev |
|---------|------------------|-------------|------|-----|
| | | | | |
| | | | | |
| | | | | |


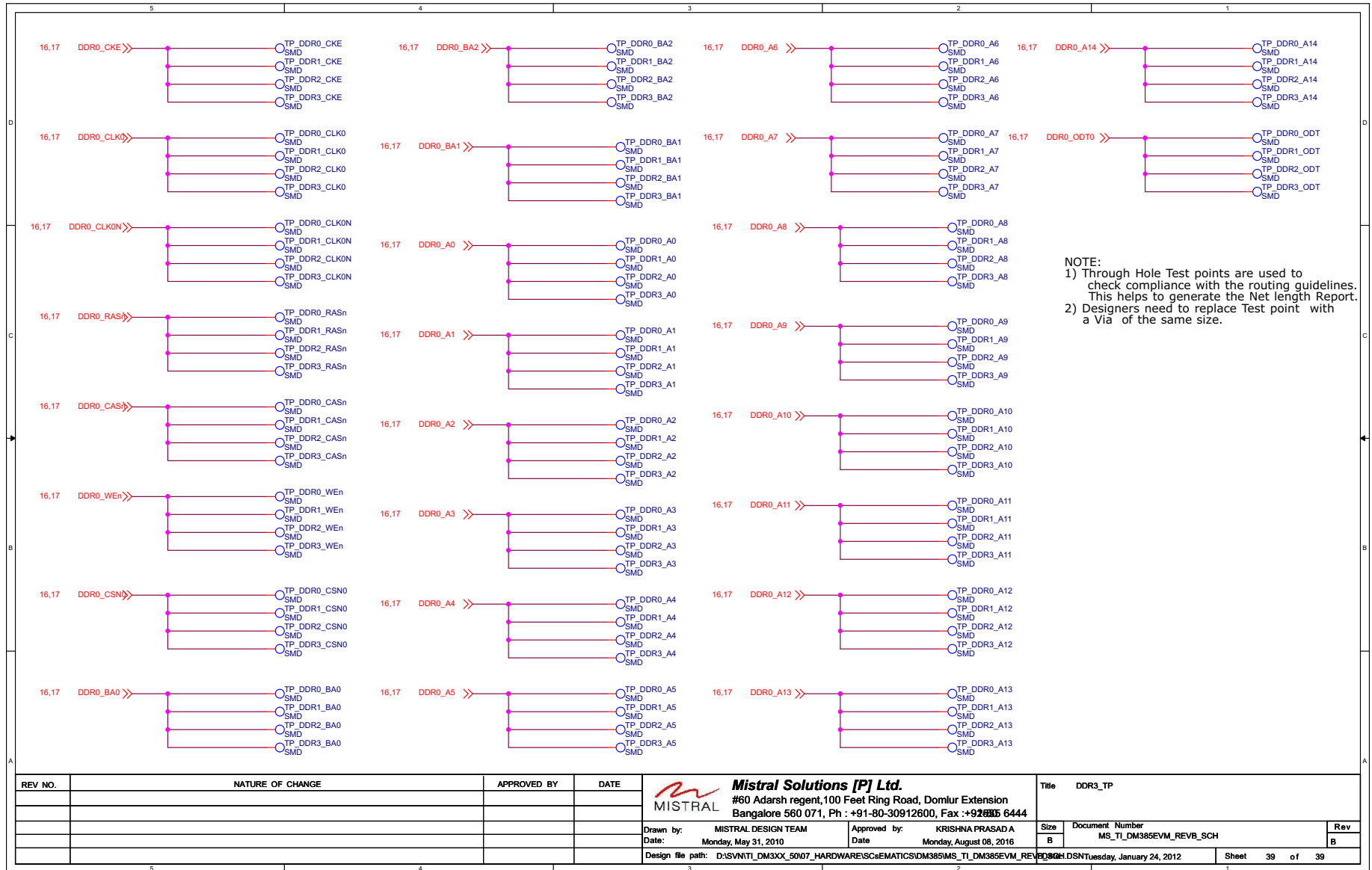
| | | |
|--|---|--|
|  Mistral Solutions (P) Ltd. #60 Adarsh regent,100 Feet Ring Road, Domlur Extension Bangalore 560 071, Ph : +91-80-30912600, Fax : +91-80-2535 6444 | | Title: SCH_CHANGES |
| Drawn by: MISTRAL DESIGN TEAM Date: Monday, May 21, 2010 | Approved by: KRISHNA PRASADA Date: Monday, August 09, 2016 | Sheet: 38 of 39 Document Number: MS_TI_DM385EM_REV_B Design file path: C:\SV\NT1_DM38X_6007_HARDWARESCHEMATICS\DM385MS_TI_DM385EM_REV_B_SCH.DSN Date: Tuesday, January 24, 2012 |

Figure A-38. DDR3_TP



Assembly Drawings

The assembly prints for the DM388 device are the same as the assembly prints for the DM385 device. [Figure B-1](#) and [Figure B-2](#) show the assembly prints.

Figure B-1. Assembly Drawing (Top Side)

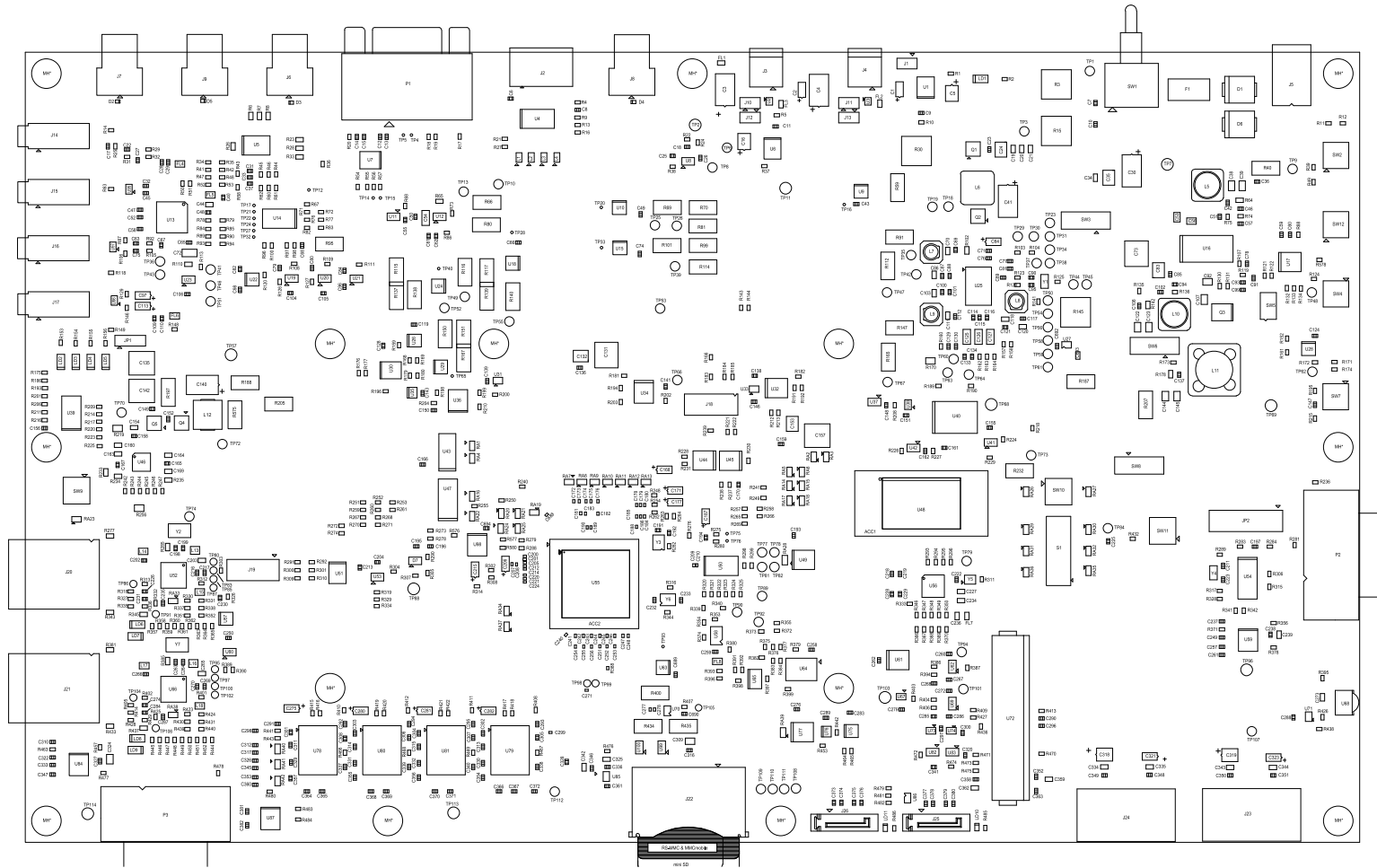
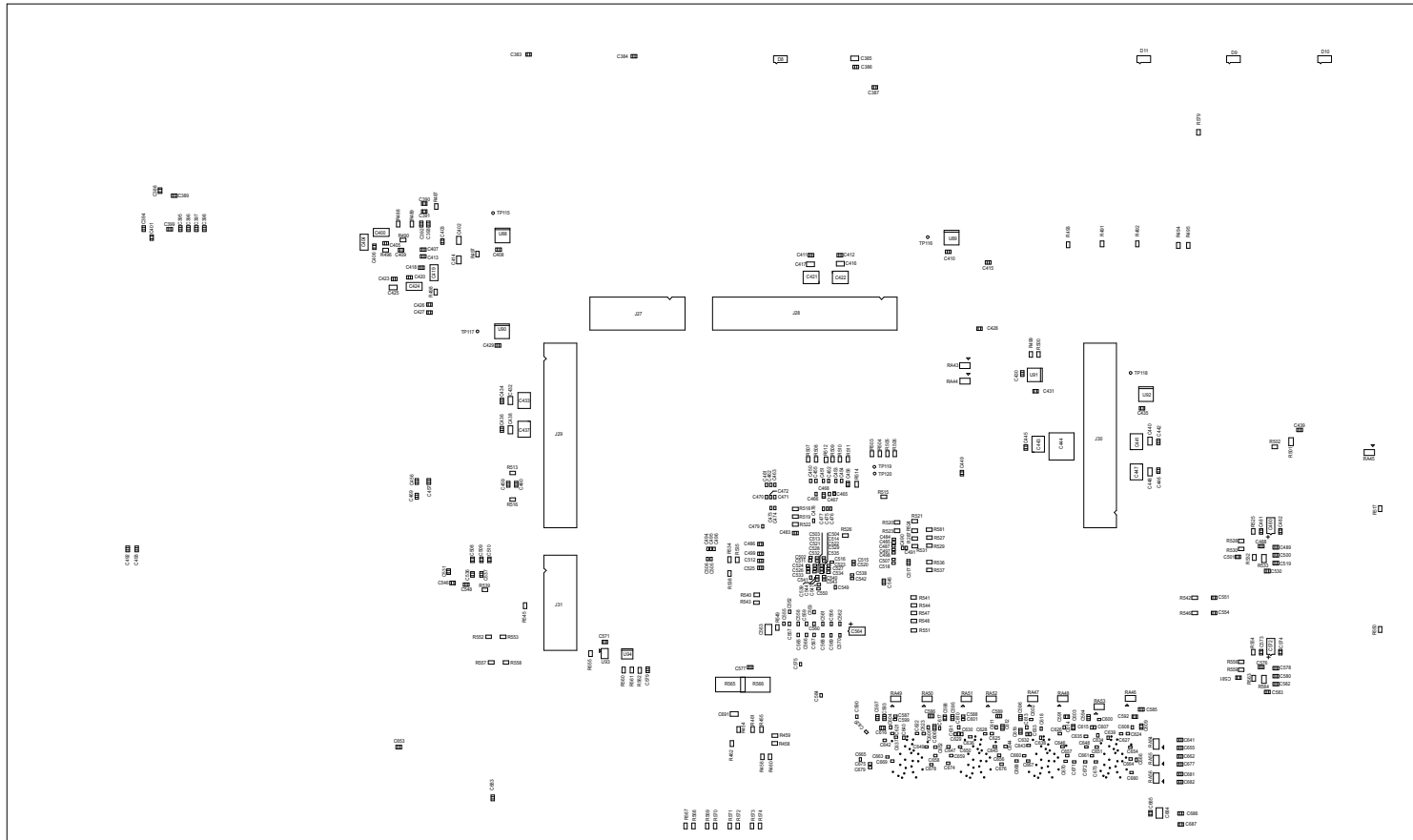


Figure B-2. Assembly Drawing (Bottom Side)



IMPORTANT NOTICE

Texas Instruments Incorporated and its subsidiaries (TI) reserve the right to make corrections, enhancements, improvements and other changes to its semiconductor products and services per JESD46, latest issue, and to discontinue any product or service per JESD48, latest issue. Buyers should obtain the latest relevant information before placing orders and should verify that such information is current and complete. All semiconductor products (also referred to herein as "components") are sold subject to TI's terms and conditions of sale supplied at the time of order acknowledgment.

TI warrants performance of its components to the specifications applicable at the time of sale, in accordance with the warranty in TI's terms and conditions of sale of semiconductor products. Testing and other quality control techniques are used to the extent TI deems necessary to support this warranty. Except where mandated by applicable law, testing of all parameters of each component is not necessarily performed.

TI assumes no liability for applications assistance or the design of Buyers' products. Buyers are responsible for their products and applications using TI components. To minimize the risks associated with Buyers' products and applications, Buyers should provide adequate design and operating safeguards.

TI does not warrant or represent that any license, either express or implied, is granted under any patent right, copyright, mask work right, or other intellectual property right relating to any combination, machine, or process in which TI components or services are used. Information published by TI regarding third-party products or services does not constitute a license to use such products or services or a warranty or endorsement thereof. Use of such information may require a license from a third party under the patents or other intellectual property of the third party, or a license from TI under the patents or other intellectual property of TI.

Reproduction of significant portions of TI information in TI data books or data sheets is permissible only if reproduction is without alteration and is accompanied by all associated warranties, conditions, limitations, and notices. TI is not responsible or liable for such altered documentation. Information of third parties may be subject to additional restrictions.

Resale of TI components or services with statements different from or beyond the parameters stated by TI for that component or service voids all express and any implied warranties for the associated TI component or service and is an unfair and deceptive business practice. TI is not responsible or liable for any such statements.

Buyer acknowledges and agrees that it is solely responsible for compliance with all legal, regulatory and safety-related requirements concerning its products, and any use of TI components in its applications, notwithstanding any applications-related information or support that may be provided by TI. Buyer represents and agrees that it has all the necessary expertise to create and implement safeguards which anticipate dangerous consequences of failures, monitor failures and their consequences, lessen the likelihood of failures that might cause harm and take appropriate remedial actions. Buyer will fully indemnify TI and its representatives against any damages arising out of the use of any TI components in safety-critical applications.

In some cases, TI components may be promoted specifically to facilitate safety-related applications. With such components, TI's goal is to help enable customers to design and create their own end-product solutions that meet applicable functional safety standards and requirements. Nonetheless, such components are subject to these terms.

No TI components are authorized for use in FDA Class III (or similar life-critical medical equipment) unless authorized officers of the parties have executed a special agreement specifically governing such use.

Only those TI components which TI has specifically designated as military grade or "enhanced plastic" are designed and intended for use in military/aerospace applications or environments. Buyer acknowledges and agrees that any military or aerospace use of TI components which have **not** been so designated is solely at the Buyer's risk, and that Buyer is solely responsible for compliance with all legal and regulatory requirements in connection with such use.

TI has specifically designated certain components as meeting ISO/TS16949 requirements, mainly for automotive use. In any case of use of non-designated products, TI will not be responsible for any failure to meet ISO/TS16949.

Products

| | |
|------------------------------|--|
| Audio | www.ti.com/audio |
| Amplifiers | amplifier.ti.com |
| Data Converters | dataconverter.ti.com |
| DLP® Products | www.dlp.com |
| DSP | dsp.ti.com |
| Clocks and Timers | www.ti.com/clocks |
| Interface | interface.ti.com |
| Logic | logic.ti.com |
| Power Mgmt | power.ti.com |
| Microcontrollers | microcontroller.ti.com |
| RFID | www.ti-rfid.com |
| OMAP Applications Processors | www.ti.com/omap |
| Wireless Connectivity | www.ti.com/wirelessconnectivity |

Applications

| | |
|-------------------------------|--|
| Automotive and Transportation | www.ti.com/automotive |
| Communications and Telecom | www.ti.com/communications |
| Computers and Peripherals | www.ti.com/computers |
| Consumer Electronics | www.ti.com/consumer-apps |
| Energy and Lighting | www.ti.com/energy |
| Industrial | www.ti.com/industrial |
| Medical | www.ti.com/medical |
| Security | www.ti.com/security |
| Space, Avionics and Defense | www.ti.com/space-avionics-defense |
| Video and Imaging | www.ti.com/video |

TI E2E Community

e2e.ti.com