

TMS320C28x Floating Point Unit and Instruction Set

Reference Guide



Literature Number: SPRUEO2B
June 2007–Revised January 2015

Preface	4
1 Introduction	8
1.1 Introduction to the Central Processing Unit (CPU)	9
1.2 Compatibility with the C28x Fixed-Point CPU.....	9
1.2.1 Floating-Point Code Development	10
1.3 Components of the C28x plus Floating-Point CPU	10
1.3.1 Emulation Logic.....	11
1.3.2 Memory Map	11
1.3.3 On-Chip Program and Data.....	11
1.3.4 CPU Interrupt Vectors	11
1.4 Memory Interface	11
1.4.1 Address and Data Buses	11
1.4.2 Alignment of 32-Bit Accesses to Even Addresses	12
2 CPU Register Set	14
2.1 CPU Registers.....	15
2.1.1 Floating-Point Status Register (STF)	17
2.1.2 Repeat Block Register (RB)	19
3 Pipeline	22
3.1 Pipeline Overview	23
3.2 General Guidelines for Floating-Point Pipeline Alignment	23
3.3 Moves from FPU Registers to C28x Registers	24
3.4 Moves from C28x Registers to FPU Registers	24
3.5 Parallel Instructions	25
3.6 Invalid Delay Instructions.....	25
3.7 Optimizing the Pipeline	28
4 Instruction Set	31
4.1 Instruction Descriptions.....	32
4.2 Instructions	34
A Revision History	149
A.1 Changes	149

List of Figures

1-1.	FPU Functional Block Diagram	9
2-1.	C28x With Floating-Point Registers.....	15
2-2.	Floating-point Unit Status Register (STF)	17
2-3.	Repeat Block Register (RB)	19
3-1.	FPU Pipeline	23

List of Tables

2-1.	28x Plus Floating-Point CPU Register Summary	16
2-2.	Floating-point Unit Status (STF) Register Field Descriptions	17
2-3.	Repeat Block (RB) Register Field Descriptions	19
4-1.	Operand Nomenclature.....	32
4-2.	Summary of Instructions.....	34
A-1.	Technical Changes Made in This Revision.....	149

Read This First

This document describes the CPU architecture, pipeline, instruction set, and interrupts of the C28x floating-point DSP.

About This Manual

The TMS320C2000™ digital signal processor (DSP) platform is part of the TMS320™ DSP family.

Notational Conventions

This document uses the following conventions.

- Hexadecimal numbers are shown with the suffix h or with a leading 0x. For example, the following number is 40 hexadecimal (decimal 64): 40h or 0x40.
- Registers in this document are shown in figures and described in tables.
 - Each register figure shows a rectangle divided into fields that represent the fields of the register. Each field is labeled with its bit name, its beginning and ending bit numbers above, and its read/write properties below. A legend explains the notation used for the properties.
 - Reserved bits in a register figure designate a bit that is used for future device expansion.

Related Documentation

The following books describe the TMS320x28x and related support tools that are available on the TI website:

Data Manual and Errata—

SPRS439— [TMS320F28335, TMS320F28334, TMS320F28332, TMS320F28235, TMS320F28234, TMS320F28232 Digital Signal Controllers \(DSCs\) Data Manual](#) contains the pinout, signal descriptions, as well as electrical and timing specifications for the F2833x/2823x devices.

SPRZ272— [TMS320F28335, F28334, F28332, TMS320F28235, F28234, F28232 Digital Signal Controllers \(DSCs\) Silicon Errata](#) describes the advisories and usage notes for different versions of silicon.

CPU User's Guides—

SPRU430 — **TMS320C28x CPU and Instruction Set Reference Guide** describes the central processing unit (CPU) and the assembly language instructions of the TMS320C28x fixed-point digital signal processors (DSPs). It also describes emulation features available on these DSPs.

SPRUEO2 — **TMS320C28x Floating Point Unit and Instruction Set Reference Guide** describes the floating-point unit and includes the instructions for the FPU.

Peripheral Guides—

SPRU566 — **TMS320x28xx, 28xxx DSP Peripheral Reference Guide** describes the peripheral reference guides of the 28x digital signal processors (DSPs).

SPRUFB0 — **TMS320x2833x, 2823x System Control and Interrupts Reference Guide** describes the various interrupts and system control features of the 2833x and 2823x digital signal controllers (DSCs).

SPRU812 — **TMS320x2833x, 2823x Analog-to-Digital Converter (ADC) Reference Guide** describes how to configure and use the on-chip ADC module, which is a 12-bit pipelined ADC.

- [SPRU949](#) — **TMS320x2833x, 2823x DSC External Interface (XINTF) Reference Guide** describes the XINTF, which is a non-multiplexed asynchronous bus, as it is used on the 2833x and 2823x devices.
- [SPRU963](#) — **TMS320x2833x, 2823x Boot ROM Reference Guide** describes the purpose and features of the bootloader (factory-programmed boot-loading software) and provides examples of code. It also describes other contents of the device on-chip boot ROM and identifies where all of the information is located within that memory.
- [SPRUFB7](#) — **TMS320x2833x, 2823x Multichannel Buffered Serial Port (McBSP) Reference Guide** describes the McBSP available on the 2833x and 2823x devices. The McBSPs allow direct interface between a DSP and other devices in a system.
- [SPRUFB8](#) — **TMS320x2833x, 2823x Direct Memory Access (DMA) Module Reference Guide** describes the DMA on the 2833x and 2823x devices.
- [SPRUG04](#) — **TMS320x2833x, 2823x Enhanced Pulse Width Modulator (ePWM) Module Reference Guide** describes the main areas of the enhanced pulse width modulator that include digital motor control, switch mode power supply control, UPS (uninterruptible power supplies), and other forms of power conversion.
- [SPRUG02](#) — **TMS320x2833x, 2823x High-Resolution Pulse Width Modulator (HRPWM) Reference Guide** describes the operation of the high-resolution extension to the pulse width modulator (HRPWM).
- [SPRUFG4](#) — **TMS320x2833x, 2823x Enhanced Capture (eCAP) Module Reference Guide** describes the enhanced capture module. It includes the module description and registers.
- [SPRUG05](#) — **TMS320x2833x, 2823x Enhanced Quadrature Encoder Pulse (eQEP) Module Reference Guide** describes the eQEP module, which is used for interfacing with a linear or rotary incremental encoder to get position, direction, and speed information from a rotating machine in high-performance motion and position control systems. It includes the module description and registers.
- [SPRUEU1](#) — **TMS320x2833x, 2823x Enhanced Controller Area Network (eCAN) Reference Guide** describes the eCAN that uses established protocol to communicate serially with other controllers in electrically noisy environments.
- [SPRUFZ5](#) — **TMS320x2833x, 2823x Serial Communications Interface (SCI) Reference Guide** describes the SCI, which is a two-wire asynchronous serial port, commonly known as a UART. The SCI modules support digital communications between the CPU and other asynchronous peripherals that use the standard non-return-to-zero (NRZ) format.
- [SPRUEU3](#) — **TMS320x2833x, 2823x DSC Serial Peripheral Interface (SPI) Reference Guide** describes the SPI - a high-speed synchronous serial input/output (I/O) port - that allows a serial bit stream of programmed length (one to sixteen bits) to be shifted into and out of the device at a programmed bit-transfer rate.
- [SPRUG03](#) — **TMS320x2833x, 2823x Inter-Integrated Circuit (I2C) Module Reference Guide** describes the features and operation of the inter-integrated circuit (I2C) module.
- Tools Guides—**
- [SPRU513](#) — **TMS320C28x Assembly Language Tools v5.0.0 User's Guide** describes the assembly language tools (assembler and other tools used to develop assembly language code), assembler directives, macros, common object file format, and symbolic debugging directives for the TMS320C28x device.
- [SPRU514](#) — **TMS320C28x Optimizing C/C++ Compiler v5.0.0 User's Guide** describes the TMS320C28x™ C/C++ compiler. This compiler accepts ANSI standard C/C++ source code and produces TMS320 DSP assembly language source code for the TMS320C28x device.
- [SPRU608](#) — **TMS320C28x Instruction Set Simulator Technical Overview** describes the simulator, available within the Code Composer Studio for TMS320C2000 IDE, that simulates the instruction set of the C28x™ core.

[SPRU625](#) — **TMS320C28x DSP/BIOS 5.32 Application Programming Interface (API) Reference Guide** describes development using DSP/BIOS.

Introduction

The TMS320C2000™ DSP family consists of fixed-point and floating-point digital signal controllers (DSCs). TMS320C2000™ Digital Signal Controllers combine control peripheral integration and ease of use of a microcontroller (MCU) with the processing power and C efficiency of TI's leading DSP technology. This chapter provides an overview of the architectural structure and components of the C28x plus floating-point unit CPU.

Topic	Page
1.1 Introduction to the Central Processing Unit (CPU)	9
1.2 Compatibility with the C28x Fixed-Point CPU	9
1.3 Components of the C28x plus Floating-Point CPU	10
1.4 Memory Interface	11

1.1 Introduction to the Central Processing Unit (CPU)

The C28x plus floating-point (C28x+FPU) processor extends the capabilities of the C28x fixed-point CPU by adding registers and instructions to support IEEE single-precision floating point operations. This device draws from the best features of digital signal processing; reduced instruction set computing (RISC); and microcontroller architectures, firmware, and tool sets. The DSC features include a modified Harvard architecture and circular addressing. The RISC features are single-cycle instruction execution, register-to-register operations, and modified Harvard architecture (usable in Von Neumann mode). The microcontroller features include ease of use through an intuitive instruction set, byte packing and unpacking, and bit manipulation. The modified Harvard architecture of the CPU enables instruction and data fetches to be performed in parallel. The CPU can read instructions and data while it writes data simultaneously to maintain the single-cycle instruction operation across the pipeline. The CPU does this over six separate address/data buses.

Throughout this document the following notations are used:

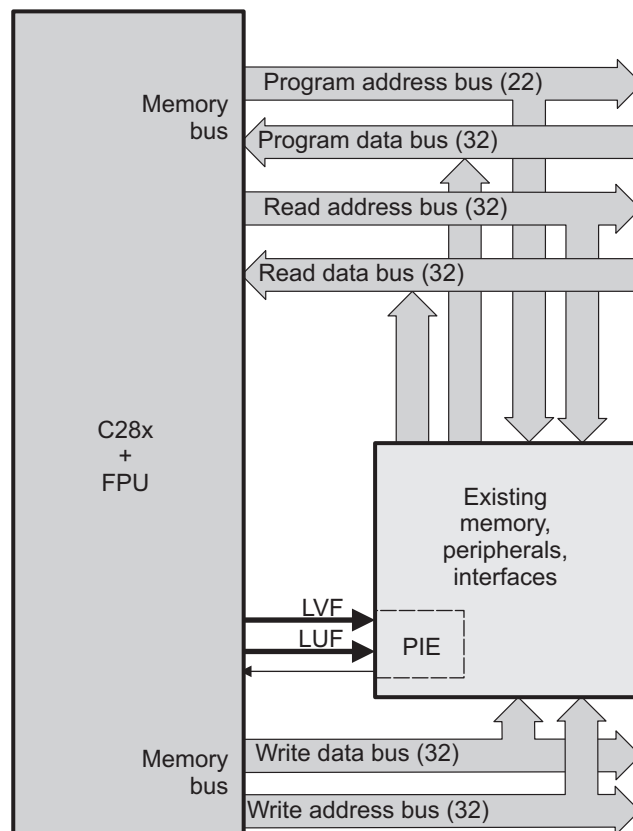
- C28x refers to the C28x fixed-point CPU.
- C28x plus Floating-Point and C28x+FPU both refer to the C28x CPU with enhancements to support IEEE single-precision floating-point operations.

1.2 Compatibility with the C28x Fixed-Point CPU

No changes have been made to the C28x base set of instructions, pipeline, or memory bus architecture. Therefore, programs written for the C28x CPU are completely compatible with the C28x+FPU and all of the features of the C28x documented in *TMS320C28x DSP CPU and Instruction Set Reference Guide* (literature number [SPRU430](#)) apply to the C28x+FPU.

Figure 1-1 shows basic functions of the FPU.

Figure 1-1. FPU Functional Block Diagram



1.2.1 Floating-Point Code Development

When developing C28x floating-point code use Code Composer Studio 3.3, or later, with at least service release 8. The C28x compiler V5.0, or later, is also required to generate C28x native floating-point opcodes. This compiler is available via Code Composer Studio update advisor as a separate download. V5.0 can generate both fixed-point as well as floating-point code. To build floating-point code use the compiler switches: `-v28` and `-float_support = fpu32`. In Code Composer Studio 3.3 the `float_support` option is in the build options under `compiler-> advanced: floating point support`. Without the `float_support` flag, or with `float_support = none`, the compiler will generate fixed-point code.

When building for C28x floating-point make sure all associated libraries have also been built for floating-point. The standard run-time support (RTS) libraries built for floating-point included with the compiler have `fpu32` in their name. For example `rts2800_fpu32.lib` and `rts2800_fpu_eh.lib` have been built for the floating-point unit. The "eh" version has exception handling for C++ code. Using the fixed-point RTS libraries in a floating-point project will result in the linker issuing an error for incompatible object files.

To improve performance of native floating-point projects, consider using the *C28x FPU Fast RTS Library* ([SPRC664](#)). This library contains hand-coded optimized math routines such as division, square root, `atan2`, `sin` and `cos`. This library can be linked into your project before the standard runtime support library to give your application a performance boost. As an example, the standard RTS library uses a polynomial expansion to calculate the `sin` function. The Fast RTS library, however, uses a math look-up table in the boot ROM of the device. Using this look-up table method results in approximately a 20 cycle savings over the standard RTS calculation.

1.3 Components of the C28x plus Floating-Point CPU

The C28x+FPU contains:

- A central processing unit for generating data and program-memory addresses; decoding and executing instructions; performing arithmetic, logical, and shift operations; and controlling data transfers among CPU registers, data memory, and program memory
- A floating-point unit for IEEE single-precision floating point operations.
- Emulation logic for monitoring and controlling various parts and functions of the device and for testing device operation. This logic is identical to that on the C28x fixed-point CPU.
- Signals for interfacing with memory and peripherals, clocking and controlling the CPU and the emulation logic, showing the status of the CPU and the emulation logic, and using interrupts. This logic is identical to the C28x fixed-point CPU.

Some features of the C28x+FPU central processing unit are:

- Fixed-Point instructions are pipeline protected. This pipeline for fixed-point instructions is identical to that on the C28x fixed-point CPU. The CPU implements an 8-phase pipeline that prevents a write to and a read from the same location from occurring out of order. See [Figure 3-1](#)
- Some floating-point instructions require pipeline alignment. This alignment is done through software to allow the user to improve performance by taking advantage of required delay slots.
- Independent register space. These registers function as system-control registers, math registers, and data pointers. The system-control registers are accessed by special instructions.
- Arithmetic logic unit (ALU). The 32-bit ALU performs 2s-complement arithmetic and Boolean logic operations.
- Floating point unit (FPU). The 32-bit FPU performs IEEE single-precision floating-point operations.
- Address register arithmetic unit (ARAU). The ARAU generates data memory addresses and increments or decrements pointers in parallel with ALU operations.
- Barrel shifter. This shifter performs all left and right shifts of fixed-point data. It can shift data to the left by up to 16 bits and to the right by up to 16 bits.
- Fixed-Point Multiplier. The multiplier performs 32-bit x 32-bit 2s-complement multiplication with a 64-bit result. The multiplication can be performed with two signed numbers, two unsigned numbers, or one signed number and one unsigned number.

1.3.1 Emulation Logic

The emulation logic is identical to that on the C28x fixed-point CPU. This logic includes the following features. For more details about these features, refer to the *TMS320C28x DSP CPU and Instruction Set Reference Guide* (literature number [SPRU430](#)):

- Debug-and-test direct memory access (DT-DMA). A debug host can gain direct access to the content of registers and memory by taking control of the memory interface during unused cycles of the instruction pipeline.
- A counter for performance benchmarking.
- Multiple debug events. Any of the following debug events can cause a break in program execution:
 - A breakpoint initiated by the ESTOP0 or ESTOP1 instruction.
 - An access to a specified program-space or data-space location.
 When a debug event causes the C28x to enter the debug-halt state, the event is called a break event.
- Real-time mode of operation.

1.3.2 Memory Map

Like the C28x, the C28x+FPU uses 32-bit data addresses and 22-bit program addresses. This allows for a total address reach of 4G words (1 word = 16 bits) in data space and 4M words in program space. Memory blocks on all C28x+FPU designs are uniformly mapped to both program and data space. For specific details about each of the map segments, see the data sheet for your device.

1.3.3 On-Chip Program and Data

All C28x+FPU based devices contain at least two blocks of single access on-chip memory referred to as M0 and M1. Each of these blocks is 1K words in size. M0 is mapped at addresses 0x0000 – 0x03FF and M1 is mapped at addresses 0x0400 – 0x07FF. Like all other memory blocks on the C28x+FPU devices, M0 and M1 are mapped to both program and data space. Therefore, you can use M0 and M1 to execute code or for data variables. At reset, the stack pointer is set to the top of block M1. Depending on the device, it may also have additional random-access memory (RAM), read-only memory (ROM), external interface zones, or flash memory.

1.3.4 CPU Interrupt Vectors

The C28x+FPU interrupt vectors are identical to those on the C28x CPU. Sixty-four addresses in program space are set aside for a table of 32 CPU interrupt vectors. The CPU vectors can be mapped to the top or bottom of program space by way of the VMAP bit. For more information about the CPU vectors, see *TMS320C28x DSP CPU and Instruction Set Reference Guide* (literature number [SPRU430](#)). For devices with a peripheral interrupt expansion (PIE) block, the interrupt vectors will reside in the PIE vector table and this memory can be used as program memory.

1.4 Memory Interface

The C28x+FPU memory interface is identical to that on the C28x. The C28x+FPU memory map is accessible outside the CPU by the memory interface, which connects the CPU logic to memories, peripherals, or other interfaces. The memory interface includes separate buses for program space and data space. This means an instruction can be fetched from program memory while data memory is being accessed. The interface also includes signals that indicate the type of read or write being requested by the CPU. These signals can select a specified memory block or peripheral for a given bus transaction. In addition to 16-bit and 32-bit accesses, the C28x+FPU supports special byte-access instructions that can access the least significant byte (LSByte) or most significant byte (MSByte) of an addressed word. Strobe signals indicate when such an access is occurring on a data bus.

1.4.1 Address and Data Buses

Like the C28x, the memory interface has three address buses:

- **PAB: Program address bus**

The PAB carries addresses for reads and writes from program space. PAB is a 22-bit bus.

- **DRAB: Data-read address bus**
The 32-bit DRAB carries addresses for reads from data space.
- **DWAB: Data-write address bus**
The 32-bit DWAB carries addresses for writes to data space.

The memory interface also has three data buses:

- **PRDB: Program-read data bus**
The PRDB carries instructions during reads from program space. PRDB is a 32-bit bus.
- **DRDB: Data-read data bus**
The DRDB carries data during reads from data space. DRDB is a 32-bit bus.
- **DWDB: Data-/Program-write data bus**
The 32-bit DWDB carries data during writes to data space or program space.

A program-space read and a program-space write cannot happen simultaneously because both use the PAB. Similarly, a program-space write and a data-space write cannot happen simultaneously because both use the DWDB. Transactions that use different buses can happen simultaneously. For example, the CPU can read from program space (using PAB and PRDB), read from data space (using DRAB and DRDB), and write to data space (using DWAB and DWDB) at the same time. This behavior is identical to the C28x CPU.

1.4.2 Alignment of 32-Bit Accesses to Even Addresses

The C28x+FPU CPU expects memory wrappers or peripheral-interface logic to align any 32-bit read or write to an even address. If the address-generation logic generates an odd address, the CPU will begin reading or writing at the previous even address. This alignment does not affect the address values generated by the address-generation logic.

Most instruction fetches from program space are performed as 32-bit read operations and are aligned accordingly. However, alignment of instruction fetches are effectively invisible to a programmer. When instructions are stored to program space, they do not have to be aligned to even addresses. Instruction boundaries are decoded within the CPU.

You need to be concerned with alignment when using instructions that perform 32-bit reads from or writes to data space.

CPU Register Set

The C28x+FPU architecture is the same as the C28x CPU with an extended register and instruction set to support IEEE single-precision floating point operations. This section describes the extensions to the C28x architecture.

Topic	Page
2.1 CPU Registers	15

2.1 CPU Registers

Devices with the C28x+FPU include the standard C28x register set plus an additional set of floating-point unit registers. The additional floating-point unit registers are the following:

- Eight floating-point result registers, RnH (where n = 0 - 7)
- Floating-point Status Register (STF)
- Repeat Block Register (RB)

All of the floating-point registers except the repeat block register are shadowed. This shadowing can be used in high priority interrupts for fast context save and restore of the floating-point registers.

Figure 2-1 shows a diagram of both register sets and Table 2-1 shows a register summary. For information on the standard C28x register set, see the *TMS320C28x DSP CPU and Instruction Set Reference Guide* (literature number [SPRU430](#)).

Figure 2-1. C28x With Floating-Point Registers

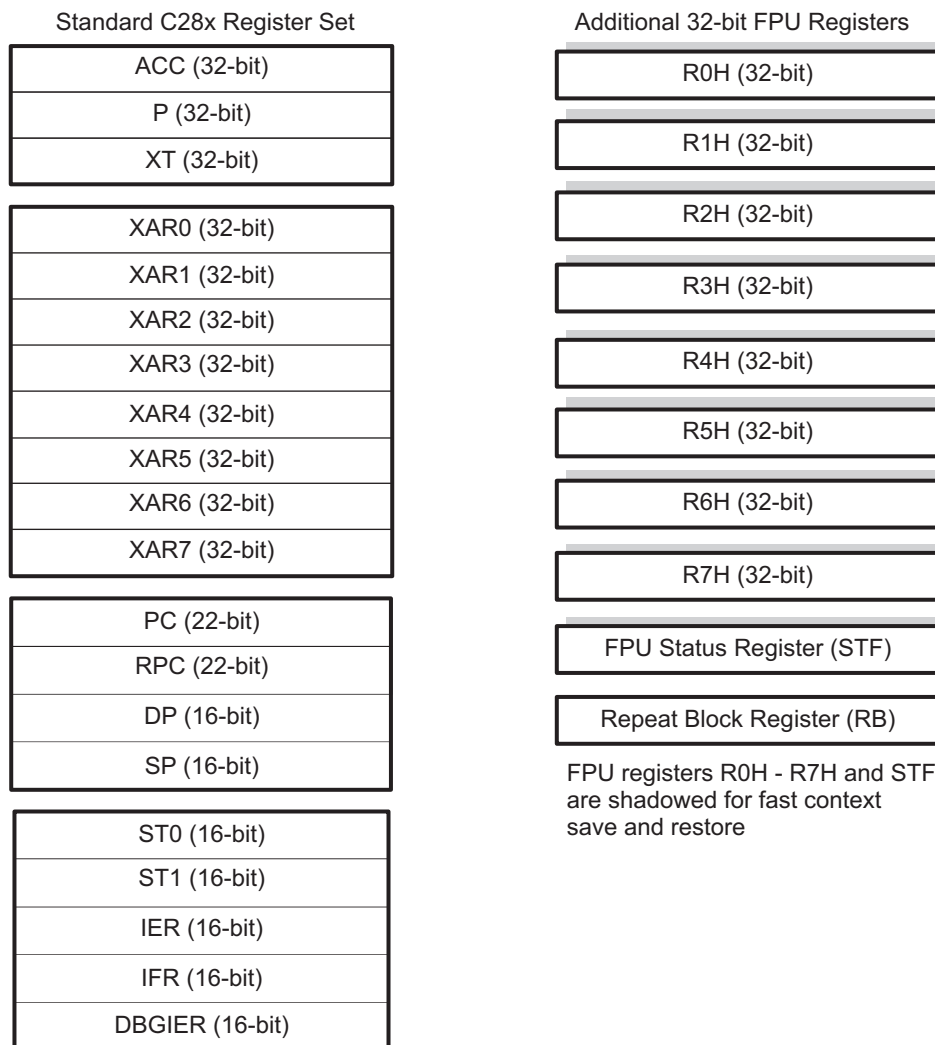


Table 2-1. 28x Plus Floating-Point CPU Register Summary

Register	C28x CPU	C28x+FPU	Size	Description	Value After Reset
ACC	Yes	Yes	32 bits	Accumulator	0x00000000
AH	Yes	Yes	16 bits	High half of ACC	0x0000
AL	Yes	Yes	16 bits	Low half of ACC	0x0000
XAR0	Yes	Yes	32 bits	Auxiliary register 0	0x00000000
XAR1	Yes	Yes	32 bits	Auxiliary register 1	0x00000000
XAR2	Yes	Yes	32 bits	Auxiliary register 2	0x00000000
XAR3	Yes	Yes	32 bits	Auxiliary register 3	0x00000000
XAR4	Yes	Yes	32 bits	Auxiliary register 4	0x00000000
XAR5	Yes	Yes	32 bits	Auxiliary register 5	0x00000000
XAR6	Yes	Yes	32 bits	Auxiliary register 6	0x00000000
XAR7	Yes	Yes	32 bits	Auxiliary register 7	0x00000000
AR0	Yes	Yes	16 bits	Low half of XAR0	0x0000
AR1	Yes	Yes	16 bits	Low half of XAR1	0x0000
AR2	Yes	Yes	16 bits	Low half of XAR2	0x0000
AR3	Yes	Yes	16 bits	Low half of XAR3	0x0000
AR4	Yes	Yes	16 bits	Low half of XAR4	0x0000
AR5	Yes	Yes	16 bits	Low half of XAR5	0x0000
AR6	Yes	Yes	16 bits	Low half of XAR6	0x0000
AR7	Yes	Yes	16 bits	Low half of XAR7	0x0000
DP	Yes	Yes	16 bits	Data-page pointer	0x0000
IFR	Yes	Yes	16 bits	Interrupt flag register	0x0000
IER	Yes	Yes	16 bits	Interrupt enable register	0x0000
DBGIER	Yes	Yes	16 bits	Debug interrupt enable register	0x0000
P	Yes	Yes	32 bits	Product register	0x00000000
PH	Yes	Yes	16 bits	High half of P	0x0000
PL	Yes	Yes	16 bits	Low half of P	0x0000
PC	Yes	Yes	22 bits	Program counter	0x3FFFC0
RPC	Yes	Yes	22 bits	Return program counter	0x00000000
SP	Yes	Yes	16 bits	Stack pointer	0x0400
ST0	Yes	Yes	16 bits	Status register 0	0x0000
ST1	Yes	Yes	16 bits	Status register 1	0x080B ⁽¹⁾
XT	Yes	Yes	32 bits	Multiplicand register	0x00000000
T	Yes	Yes	16 bits	High half of XT	0x0000
TL	Yes	Yes	16 bits	Low half of XT	0x0000
ROH	No	Yes	32 bits	Floating-point result register 0	0.0
R1H	No	Yes	32 bits	Floating-point result register 1	0.0
R2H	No	Yes	32 bits	Floating-point result register 2	0.0
R3H	No	Yes	32 bits	Floating-point result register 3	0.0
R4H	No	Yes	32 bits	Floating-point result register 4	0.0
R5H	No	Yes	32 bits	Floating-point result register 5	0.0
R6H	No	Yes	32 bits	Floating-point result register 6	0.0
R7H	No	Yes	32 bits	Floating-point result register 7	0.0
STF	No	Yes	32 bits	Floating-point status register	0x00000000
RB	No	Yes	32 bits	Repeat block register	0x00000000

⁽¹⁾ Reset value shown is for devices without the VMAP signal and MOM1MAP signal pinned out. On these devices both of these signals are tied high internal to the device.

2.1.1 Floating-Point Status Register (STF)

The floating-point status register (STF) reflects the results of floating-point operations. There are three basic rules for floating point operation flags:

1. Zero and negative flags are set based on moves to registers.
2. Zero and negative flags are set based on the result of compare, minimum, maximum, negative and absolute value operations.
3. Overflow and underflow flags are set by math instructions such as multiply, add, subtract and 1/x. These flags may also be connected to the peripheral interrupt expansion (PIE) block on your device. This can be useful for debugging underflow and overflow conditions within an application.

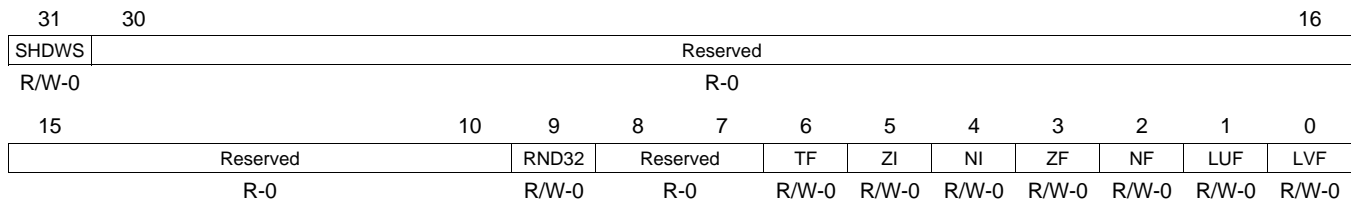
As on the C28x, program flow is controlled by C28x instructions that read status flags in the status register 0 (ST0) . If a decision needs to be made based on a floating-point operation, the information in the STF register needs to be loaded into ST0 flags (Z,N,OV,TC,C) so that the appropriate branch conditional instruction can be executed. The **MOVST0 FLAG** instruction is used to load the current value of specified STF flags into the respective bits of ST0. When this instruction executes, it will also clear the latched overflow and underflow flags if those flags are specified.

Example 2-1. Moving STF Flags to the ST0 Register

```

Loop:
    MOV32    R0H,*XAR4++
    MOV32    R1H,*XAR3++
    CMPF32   R1H, R0H
    MOVST0   ZF, NF           ; Move ZF and NF to ST0
    BF      Loop, GT         ; Loop if (R1H > R0H)
    
```

Figure 2-2. Floating-point Unit Status Register (STF)



LEGEND: R/W = Read/Write; R = Read only; -n = value after reset

Table 2-2. Floating-point Unit Status (STF) Register Field Descriptions

Bits	Field	Value	Description
31	SHDWS	0 1	Shadow Mode Status Bit This bit is forced to 0 by the RESTORE instruction. This bit is set to 1 by the SAVE instruction. This bit is not affected by loading the status register either from memory or from the shadow values.
30 - 10	Reserved	0	Reserved for future use
9	RND32	0 1	Round 32-bit Floating-Point Mode If this bit is zero, the MPYF32, ADDF32 and SUBF32 instructions will round to zero (truncate). If this bit is one, the MPYF32, ADDF32 and SUBF32 instructions will round to the nearest even value.
8 - 7	Reserved	0	Reserved for future use
6	TF	0 1	Test Flag The TESTTF instruction can modify this flag based on the condition tested. The SETFLG and SAVE instructions can also be used to modify this flag. 0 The condition tested with the TESTTF instruction is false. 1 The condition tested with the TESTTF instruction is true.

Table 2-2. Floating-point Unit Status (STF) Register Field Descriptions (continued)

Bits	Field	Value	Description
5	ZI	0 1	Zero Integer Flag The following instructions modify this flag based on the integer value stored in the destination register: MOV32, MOVD32, MOVDD32 The SETFLG and SAVE instructions can also be used to modify this flag. 0 The integer value is not zero. 1 The integer value is zero.
4	NI	0 1	Negative Integer Flag The following instructions modify this flag based on the integer value stored in the destination register: MOV32, MOVD32, MOVDD32 The SETFLG and SAVE instructions can also be used to modify this flag. 0 The integer value is not negative. 1 The integer value is negative.
3	ZF	0 1	Zero Floating-Point Flag ^{(1) (2)} The following instructions modify this flag based on the floating-point value stored in the destination register: MOV32, MOVD32, MOVDD32, ABSF32, NEGF32 The CMPF32, MAXF32, and MINF32 instructions modify this flag based on the result of the operation. The SETFLG and SAVE instructions can also be used to modify this flag 0 The floating-point value is not zero. 1 The floating-point value is zero.
2	NF	0 1	Negative Floating-Point Flag ^{(1) (2)} The following instructions modify this flag based on the floating-point value stored in the destination register: MOV32, MOVD32, MOVDD32, ABSF32, NEGF32 The CMPF32, MAXF32, and MINF32 instructions modify this flag based on the result of the operation. The SETFLG and SAVE instructions can also be used to modify this flag. 0 The floating-point value is not negative. 1 The floating-point value is negative.
1	LUF	0 1	Latched Underflow Floating-Point Flag The following instructions will set this flag to 1 if an underflow occurs: MPYF32, ADDF32, SUBF32, MACF32, EINVF32, EISQRTF32 0 An underflow condition has not been latched. If the MOVST0 instruction is used to copy this bit to ST0, then LUF will be cleared. 1 An underflow condition has been latched.
0	LVF	0 1	Latched Overflow Floating-Point Flag The following instructions will set this flag to 1 if an overflow occurs: MPYF32, ADDF32, SUBF32, MACF32, EINVF32, EISQRTF32 0 An overflow condition has not been latched. If the MOVST0 instruction is used to copy this bit to ST0, then LVF will be cleared. 1 An overflow condition has been latched.

⁽¹⁾ A negative zero floating-point value is treated as a positive zero value when configuring the ZF and NF flags.

⁽²⁾ A DeNorm floating-point value is treated as a positive zero value when configuring the ZF and NF flags.

2.1.2 Repeat Block Register (RB)

The repeat block instruction (RPTB) is a new instruction for C28x+FPU. This instruction allows you to repeat a block of code as shown in [Example 2-2](#).

Example 2-2. The Repeat Block (RPTB) Instruction uses the RB Register

```

; find the largest element and put its address in XAR6
MOV32  R0H, *XAR0++;
        .align 2                ; Aligns the next instruction to an even address

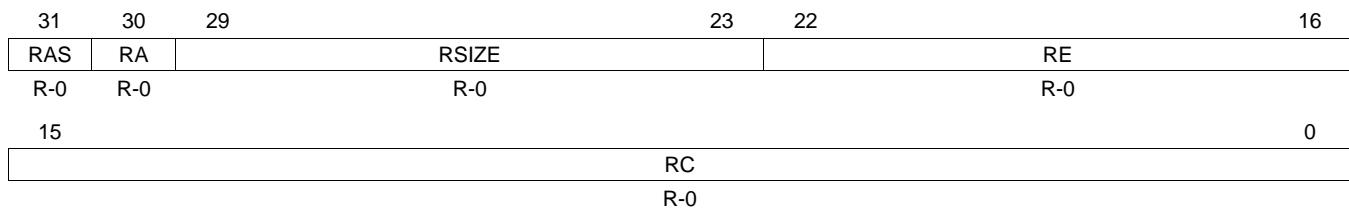
NOP                                           ; Makes RPTB odd aligned - required for a block size of 8
RPTB   VECTOR_MAX_END, AR7    ; RA is set to 1
MOVL   ACC, XAR0
MOV32  R1H, *XAR0++          ; RSIZE reflects the size of the RPTB block
MAXF32 R0H, R1H              ; in this case the block size is 8
MOVST0 NF, ZF
MOVL   XAR6, ACC, LT

VECTOR_MAX_END:                          ; RE indicates the end address. RA is cleared

```

The C28x_FPU hardware automatically populates the RB register based on the execution of a RPTB instruction. This register is not normally read by the application and does not accept debugger writes.

Figure 2-3. Repeat Block Register (RB)



LEGEND: R = Read only; -n = value after reset

Table 2-3. Repeat Block (RB) Register Field Descriptions

Bits	Field	Value	Description
31	RAS	0 1	Repeat Block Active Shadow Bit When an interrupt occurs the repeat active, RA, bit is copied to the RAS bit and the RA bit is cleared. When an interrupt return instruction occurs, the RAS bit is copied to the RA bit and RAS is cleared. A repeat block was not active when the interrupt was taken. A repeat block was active when the interrupt was taken.
30	RA	0 1	Repeat Block Active Bit This bit is cleared when the repeat counter, RC, reaches zero. When an interrupt occurs the RA bit is copied to the repeat active shadow, RAS, bit and RA is cleared. When an interrupt return, IRET, instruction is executed, the RAS bit is copied to the RA bit and RAS is cleared. This bit is set when the RPTB instruction is executed to indicate that a RPTB is currently active.
29-23	RSIZE	0-7 8/9-0x7F	Repeat Block Size This 7-bit value specifies the number of 16-bit words within the repeat block. This field is initialized when the RPTB instruction is executed. The value is calculated by the assembler and inserted into the RPTB instruction's RSIZE opcode field. Illegal block size. A RPTB block that starts at an even address must include at least 9 16-bit words and a block that starts at an odd address must include at least 8 16-bit words. The maximum block size is 127 16-bit words. The codegen assembler will check for proper block size and alignment.

Table 2-3. Repeat Block (RB) Register Field Descriptions (continued)

Bits	Field	Value	Description
22-16	RE		Repeat Block End Address This 7-bit value specifies the end address location of the repeat block. The RE value is calculated by hardware based on the RSIZE field and the PC value when the RPTB instruction is executed. $RE = \text{lower 7 bits of } (PC + 1 + RSIZE)$
15-0	RC	0 1- 0xFFFF	Repeat Count The block will not be repeated; it will be executed only once. In this case the repeat active, RA, bit will not be set. This 16-bit value determines how many times the block will repeat. The counter is initialized when the RPTB instruction is executed and is decremented when the PC reaches the end of the block. When the counter reaches zero, the repeat active bit is cleared and the block will be executed one more time. Therefore the total number of times the block is executed is RC+1.

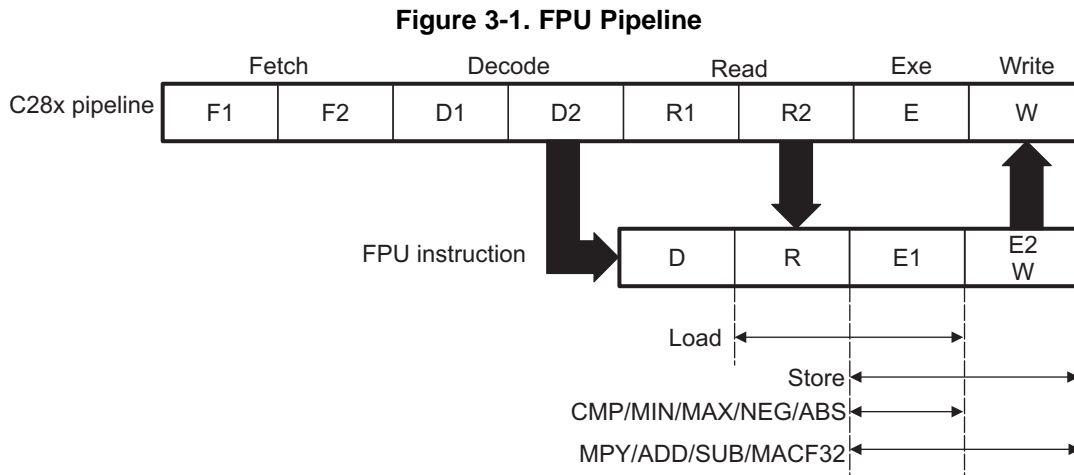
Pipeline

The pipeline flow for C28x instructions is identical to that of the C28x CPU described in *TMS320C28x DSP CPU and Instruction Set Reference Guide* ([SPRU430](#)). Some floating-point instructions, however, use additional execution phases and thus require a delay to allow the operation to complete. This pipeline alignment is achieved by inserting NOPs or non-conflicting instructions when required. Software control of delay slots allows you to improve performance of an application by taking advantage of the delay slots and filling them with non-conflicting instructions. This section describes the key characteristics of the pipeline with regards to floating-point instructions. The rules for avoiding pipeline conflicts are small in number and simple to follow and the C28x+FPU assembler will help you by issuing errors for conflicts.

Topic	Page
3.1 Pipeline Overview	23
3.2 General Guidelines for Floating-Point Pipeline Alignment	23
3.3 Moves from FPU Registers to C28x Registers	24
3.4 Moves from C28x Registers to FPU Registers	24
3.5 Parallel Instructions	25
3.6 Invalid Delay Instructions	25
3.7 Optimizing the Pipeline	28

3.1 Pipeline Overview

The C28x FPU pipeline is identical to the C28x pipeline for all standard C28x instructions. In the decode2 stage (D2), it is determined if an instruction is a C28x instruction or a floating-point unit instruction. The pipeline flow is shown in Figure 3-1. Notice that stalls due to normal C28x pipeline stalls (D2) and memory waitstates (R2 and W) will also stall any C28x FPU instruction. Most C28x FPU instructions are single cycle and will complete in the FPU E1 or W stage which aligns to the C28x pipeline. Some instructions will take an additional execute cycle (E2). For these instructions you must wait a cycle for the result from the instruction to be available. The rest of this section will describe when delay cycles are required. Keep in mind that the assembly tools for the C28x+FPU will issue an error if a delay slot has not been handled correctly.



3.2 General Guidelines for Floating-Point Pipeline Alignment

While the C28x+FPU assembler will issue errors for pipeline conflicts, you may still find it useful to understand when software delays are required. This section describes three guidelines you can follow when writing C28x+FPU assembly code.

Floating-point instructions that require delay slots have a 'p' after their cycle count. For example '2p' stands for 2 pipelined cycles. This means that an instruction can be started every cycle, but the result of the instruction will only be valid one instruction later.

There are three general guidelines to determine if an instruction needs a delay slot:

1. Floating-point math operations (multiply, addition, subtraction, 1/x and MAC) require 1 delay slot.
2. Conversion instructions between integer and floating-point formats require 1 delay slot.
3. Everything else does not require a delay slot. This includes minimum, maximum, compare, load, store, negative and absolute value instructions.

There are two exceptions to these rules. First, moves between the CPU and FPU registers require special pipeline alignment that is described later in this section. These operations are typically infrequent. Second, the MACF32 R7H, R3H, mem32, *XAR7 instruction has special requirements that make it easier to use. Refer to the MACF32 instruction description for details.

An example of the 32-bit ADDF32 instruction is shown in Example 3-1. ADDF32 is a 2p instruction and therefore requires one delay slot. The destination register for the operation, R0H, will be updated one cycle after the instruction for a total of 2 cycles. Therefore, a NOP or instruction that does not use R0H must follow this instruction.

Any memory stall or pipeline stall will also stall the floating-point unit. This keeps the floating-point unit aligned with the C28x pipeline and there is no need to change the code based on the waitstates of a memory block.

Example 3-1. 2p Instruction Pipeline Alignment

```

ADDF32  R0H, #1.5, R1H ; 2 pipeline cycles (2p)
NOP                                           ; 1 cycle delay or non-conflicting instruction
                                           ; <-- ADDF32 completes, R0H updated
NOP                                           ; Any instruction
  
```

3.3 Moves from FPU Registers to C28x Registers

When transferring from the floating-point unit registers to the C28x CPU registers, additional pipeline alignment is required as shown in [Example 3-2](#) and [Example 3-3](#).

Example 3-2. Floating-Point to C28x Register Software Pipeline Alignment

```

; MINF32: 32-bit floating-point minimum: single-cycle operation
; An alignment cycle is required before copying R0H to ACC
MINF32  R0H, R1H ; Single-cycle instruction
                                           ; <-- R0H is valid
NOP                                           ; Alignment cycle
MOV32   @ACC, R0H ; Copy R0H to ACC
  
```

For 1-cycle FPU instructions, one delay slot is required between a write to the floating-point register and the transfer instruction as shown in [Example 3-2](#). For 2p FPU instructions, two delay slots are required between a write to the floating-point register and the transfer instruction as shown in [Example 3-3](#).

Example 3-3. Floating-Point to C28x Register Software Pipeline Alignment

```

; ADDF32: 32-bit floating-point addition: 2p operation
; An alignment cycle is required before copying R0H to ACC
;
ADDF32  R0H, R1H, #2 ; R0H = R1H + 2, 2 pipeline cycle instruction
NOP                                           ; 1 delay cycle or non-conflicting instruction
                                           ; <-- R0H is valid
NOP                                           ; Alignment cycle
MOV32   @ACC, R0H ; Copy R0H to ACC
  
```

3.4 Moves from C28x Registers to FPU Registers

Transfers from the standard C28x CPU registers to the floating-point registers require four alignment cycles. In this case the four alignment cycles can be filled with NOPs or any non-conflicting instruction except for FRACF32, UI16TOF32, I16TOF32, F32TOUI32, and F32TOI32. These instructions cannot replace any of the four alignment NOPs.

Example 3-4. C28x Register to Floating-Point Register Software Pipeline Alignment

```

; Four alignment cycles are required after copying a standard 28x CPU
; register to a floating-point register.
;
MOV32   R0H,@ACC ; Copy ACC to R0H
NOP
NOP
NOP
NOP
NOP                                           ; Wait 4 cycles
ADDF32  R2H,R1H,R0H ; R0H is valid
  
```


3.5 Parallel Instructions

Parallel instructions are single opcodes that perform two operations in parallel. This can be a math operation in parallel with a move operation, or two math operations in parallel. Math operations with a parallel move are referred to as 2p/1 instructions. The math portion of the operation takes two pipelined cycles while the move portion of the operation is single cycle. This means that NOPs or other non conflicting instructions must be inserted to align the math portion of the operation. An example of an add with parallel move instruction is shown in [Example 3-5](#).

Example 3-5. 2p/1 Parallel Instruction Software Pipeline Alignment

```

; ADDF32 || MOV32 instruction: 32-bit floating-point add with parallel move
; ADDF32 is a 2p operation
; MOV32 is a 1 cycle operation
;
      ADDF32  R0H, R1H, #2      ; R0H = R1H + 2, 2 pipeline cycle operation
||    MOV32   R1H, @Val        ; R1H gets the contents of Val, single cycle operation
      NOP                               ; <-- MOV32 completes here (R1H is valid)
      NOP                               ; 1 cycle delay or non-conflicting instruction
      NOP                               ; <-- ADDF32 completes here (R0H is valid)
      NOP                               ; Any instruction

```

Parallel math instructions are referred to as 2p/2p instructions. Both math operations take 2 cycles to complete. This means that NOPs or other non conflicting instructions must be inserted to align the both math operations. An example of a multiply with parallel add instruction is shown in [Example 3-5](#)

Example 3-6. 2p/2p Parallel Instruction Software Pipeline Alignment

```

; MPYF32 || ADDF32 instruction: 32-bit floating-point multiply with parallel add
; MPYF32 is a 2p operation
; ADDF32 is a 2p cycle operation
;
      MPYF32  R0H, R1H, R3H     ; R0H = R1H * R3H, 2 pipeline cycle operation
||    ADDF32  R1H, R2H, R4H     ; R1H = R2H + R4H, 2 pipeline cycle operation
      NOP                               ; 1 cycle delay or non-conflicting instruction
      NOP                               ; <-- MPYF32 and ADDF32 complete here (R0H and R1H are valid)
      NOP                               ; Any instruction

```

3.6 Invalid Delay Instructions

Most instructions can be used in delay slots as long as source and destination register conflicts are avoided. The C28x+FPU assembler will issue an error anytime you use an conflicting instruction within a delay slot. The following guidelines can be used to avoid these conflicts.

NOTE: *Destination register conflicts in delay slots:*

Any operation used for pipeline alignment delay must not use the same destination register as the instruction requiring the delay. See [Example 3-7](#).

In [Example 3-7](#) the MPYF32 instruction uses R2H as its destination register. The next instruction should not use R2H as its destination. Since the MOV32 instruction uses the R2H register a pipeline conflict will be issued by the assembler. This conflict can be resolved by using a register other than R2H for the MOV32 instruction as shown in [Example 3-8](#).

Example 3-7. Destination Register Conflict

```

; Invalid delay instruction. Both instructions use the same destination register
MPYF32 R2H, R1H, R0H ; 2p instruction
MOV32 R2H, mem32 ; Invalid delay instruction

```

Example 3-8. Destination Register Conflict Resolved

```

; Valid delay instruction
MPYF32 R2H, R1H, R0H ; 2p instruction
MOV32 R1H, mem32 ; Valid delay
; <-- MPYF32 completes, R2H valid

```

NOTE: *Instructions in delay slots cannot use the instruction's destination register as a source register.*

Any operation used for pipeline alignment delay must not use the destination register of the instruction requiring the delay as a source register as shown in [Example 3-9](#). For parallel instructions, the current value of a register can be used in the parallel operation before it is overwritten as shown in [Example 3-11](#).

In [Example 3-9](#) the MPYF32 instruction again uses R2H as its destination register. The next instruction should not use R2H as its source since the MPYF32 will take an additional cycle to complete. Since the ADDF32 instruction uses the R2H register a pipeline conflict will be issued by the assembler. This conflict can be resolved by using a register other than R2H or by inserting a non-conflicting instruction between the MPYF32 and ADDF32 instructions. Since the SUBF32 does not use R2H this instruction can be moved before the ADDF32 as shown in [Example 3-10](#).

Example 3-9. Destination/Source Register Conflict

```

; Invalid delay instruction. ADDF32 should not use R2H as a source operand
MPYF32 R2H, R1H, R0H ; 2p instruction
ADDF32 R3H, R3H, R2H ; Invalid delay instruction
SUBF32 R4H, R1H, R0H

```

Example 3-10. Destination/Source Register Conflict Resolved

```

; Valid delay instruction.
MPYF32 R2H, R1H, R0H ; 2p instruction
SUBF32 R4H, R1H, R0H ; Valid delay for MPYF32
ADDF32 R3H, R3H, R2H ; <-- MPYF32 completes, R2H valid
NOP
; <-- SUBF32 completes, R4H valid

```

It should be noted that a source register for the 2nd operation within a parallel instruction can be the same as the destination register of the first operation. This is because the two operations are started at the same time. The 2nd operation is not in the delay slot of the first operation. Consider [Example 3-11](#) where the MPYF32 uses R2H as its destination register. The MOV32 is the 2nd operation in the instruction and can freely use R2H as a source register. The contents of R2H before the multiply will be used by MOV32.

Example 3-11. Parallel Instruction Destination/Source Exception

```

; Valid parallel operation.
    MPYF32  R2H, R1H, R0H    ; 2p/1 instruction
||    MOV32  mem32, R2H      ; <-- Uses R2H before the MPYF32
                                   ; <-- mem32 updated NOP
                                   ; <-- Delay for MPYF32
                                   ; <-- R2H updated

```

Likewise, the source register for the 2nd operation within a parallel instruction can be the same as one of the source registers of the first operation. The MPYF32 operation in [Example 3-12](#) uses the R1H register as one of its sources. This register is also updated by the MOV32 register. The multiplication operation will use the value in R1H before the MOV32 updates it.

Example 3-12. Parallel Instruction Destination/Source Exception

```

; Valid parallel instruction
    MPYF32  R2H, R1H, R0H    ; 2p/1 instruction
||    MOV32  R1H, mem32      ; Valid
    NOP                                           ; <-- MOV32 completes, R1H valid
                                   ; <-- MPYF32, R2H valid

```

NOTE: *Operations within parallel instructions cannot use the same destination register.*

When two parallel operations have the same destination register, the result is invalid.

For example, see [Example 3-13](#).

If both operations within a parallel instruction try to update the same destination register as shown in [Example 3-13](#) the assembler will issue an error.

Example 3-13. Invalid Destination Within a Parallel Instruction

```

; Invalid parallel instruction. Both operations use the same destination register
    MPYF32  R2H, R1H, R0H    ; 2p/1 instruction
||    MOV32  R2H, mem32      ; Invalid

```

Some instructions access or modify the STF flags. Because the instruction requiring a delay slot will also be accessing the STF flags, these instructions should not be used in delay slots. These instructions are SAVE, SETFLG, RESTORE and MOVST0.

NOTE: *Do not use SAVE, SETFLG, RESTORE, or the MOVST0 instruction in a delay slot.*

3.7 Optimizing the Pipeline

The following example shows how delay slots can be used to improve the performance of an algorithm. The example performs two $Y = MX+B$ operations. In [Example 3-14](#), no optimization has been done. The $Y = MX+B$ calculations are sequential and each takes 7 cycles to complete. Notice there are NOPs in the delay slots that could be filled with non-conflicting instructions. The only requirement is these instructions must not cause a register conflict or access the STF register flags.

Example 3-14. Floating-Point Code Without Pipeline Optimization

```

; Using NOPs for alignment cycles, calculate the following:
;
; Y1 = M1*X1 + B1
; Y2 = M2*X2 + B2
;
; Calculate Y1
;
    MOV32  R0H,@M1      ; Load R0H with M1 - single cycle
    MOV32  R1H,@X1      ; Load R1H with X1 - single cycle
    MPYF32 R1H,R1H,R0H  ; R1H = M1 * X1 - 2p operation
||   MOV32  R0H,@B1      ; Load R0H with B1 - single cycle
    NOP                               ; Wait for MPYF32 to complete
                                       ; <-- MPYF32 completes, R1H is valid
    ADDF32 R1H,R1H,R0H  ; R1H = R1H + R0H - 2p operation
    NOP                               ; Wait for ADDF32 to complete
                                       ; <-- ADDF32 completes, R1H is valid
    MOV32  @Y1,R1H      ; Save R1H in Y1 - single cycle
; Calculate Y2

    MOV32  R0H,@M2      ; Load R0H with M2 - single cycle
    MOV32  R1H,@X2      ; Load R1H with X2 - single cycle
    MPYF32 R1H,R1H,R0H  ; R1H = M2 * X2 - 2p operation
||   MOV32  R0H,@B2      ; Load R0H with B2 - single cycle
    NOP                               ; Wait for MPYF32 to complete
                                       ; <-- MPYF32 completes, R1H is valid
    ADDF32 R1H,R1H,R0H  ; R1H = R1H + R0H
    NOP                               ; Wait for ADDF32 to complete
                                       ; <-- ADDF32 completes, R1H is valid
    MOV32  @Y2,R1H      ; Save R1H in Y2
; 14 cycles
; 48 bytes
    
```

The code shown in [Example 3-15](#) was generated by the C28x+FPU compiler with optimization enabled. Notice that the NOPs in the first example have now been filled with other instructions. The code for the two $Y = MX+B$ calculations are now interleaved and both calculations complete in only 9 cycles.

Example 3-15. Floating-Point Code With Pipeline Optimization

```

; Using non-conflicting instructions for alignment cycles,
; calculate the following:
;
; Y1 = M1*X1 + B1
; Y2 = M2*X2 + B2
;
      MOV32   R2H,@X1           ; Load R2H with X1 - single cycle
      MOV32   R1H,@M1           ; Load R1H with M1 - single cycle
      MPYF32  R3H,R2H,R1H       ; R3H = M1 * X1 - 2p operation
||    MOV32   R0H,@M2           ; Load R0H with M2 - single cycle
      MOV32   R1H,@X2           ; Load R1H with X2 - single cycle
      ; <-- MPYF32 completes, R3H is valid
      MPYF32  R0H,R1H,R0H       ; R0H = M2 * X2 - 2p operation
||    MOV32   R4H,@B1           ; Load R4H with B1 - single cycle
      ; <-- MOV32 completes, R4H is valid
      ADDF32  R1H,R4H,R3H       ; R1H = B1 + M1*X1 - 2p operation
||    MOV32   R2H,@B2           ; Load R2H with B2 - single cycle
      ; <-- MPYF32 completes, R0H is valid
      ADDF32  R0H,R2H,R0H       ; R0H = B2 + M2*X2 - 2p operation
      ; <-- ADDF32 completes, R1H is valid
      MOV32   @Y1,R1H           ; Store Y1
      ; <-- ADDF32 completes, R0H is valid
      MOV32   @Y2,R0H           ; Store Y2

; 9 cycles
; 36 bytes

```


Instruction Set

This chapter describes the assembly language instructions of the TMS320C28x plus floating-point processor. Also described are parallel operations, conditional operations, resource constraints, and addressing modes. The instructions listed here are an extension to the standard C28x instruction set. For information on standard C28x instructions, see the *TMS320C28x DSP CPU and Instruction Set Reference Guide* (literature number [SPRU430](#)).

Topic	Page
4.1 Instruction Descriptions.....	32
4.2 Instructions	34

4.1 Instruction Descriptions

This section gives detailed information on the instruction set. Each instruction may present the following information:

- Operands
- Opcode
- Description
- Exceptions
- Pipeline
- Examples
- See also

The example INSTRUCTION is shown to familiarize you with the way each instruction is described. The example describes the kind of information you will find in each part of the individual instruction description and where to obtain more information. On the C28x+FPU instructions, follow the same format as the C28x. The source operand(s) are always on the right and the destination operand(s) are on the left.

The explanations for the syntax of the operands used in the instruction descriptions for the TMS320C28x plus floating-point processor are given in [Table 4-1](#). For information on the operands of standard C28x instructions, see the *TMS320C28x DSP CPU and Instruction Set Reference Guide* ([SPRU430](#)).

Table 4-1. Operand Nomenclature

Symbol	Description
#16FHi	16-bit immediate (hex or float) value that represents the upper 16-bits of an IEEE 32-bit floating-point value. Lower 16-bits of the mantissa are assumed to be zero.
#16FHiHex	16-bit immediate hex value that represents the upper 16-bits of an IEEE 32-bit floating-point value. Lower 16-bits of the mantissa are assumed to be zero.
#16FLoHex	A 16-bit immediate hex value that represents the lower 16-bits of an IEEE 32-bit floating-point value
#32Fhex	32-bit immediate value that represents an IEEE 32-bit floating-point value
#32F	Immediate float value represented in floating-point representation
#0.0	Immediate zero
#RC	16-bit immediate value for the repeat count
*(0:16bitAddr)	16-bit immediate address, zero extended
CNDF	Condition to test the flags in the STF register
FLAG	Selected flags from STF register (OR) 11 bit mask indicating which floating-point status flags to change
label	Label representing the end of the repeat block
mem16	Pointer (using any of the direct or indirect addressing modes) to a 16-bit memory location
mem32	Pointer (using any of the direct or indirect addressing modes) to a 32-bit memory location
RaH	R0H to R7H registers
RbH	R0H to R7H registers
RcH	R0H to R7H registers
RdH	R0H to R7H registers
ReH	R0H to R7H registers
RfH	R0H to R7H registers
RB	Repeat Block Register
STF	FPU Status Register
VALUE	Flag value of 0 or 1 for selected flag (OR) 11 bit mask indicating the flag value; 0 or 1

INSTRUCTION dest1, source1, source2 *Short Description*
Operands

dest1	description for the 1st operand for the instruction
source1	description for the 2nd operand for the instruction
source2	description for the 3rd operand for the instruction

Each instruction has a table that gives a list of the operands and a short description. Instructions always have their destination operand(s) first followed by the source operand(s).

Opcode	This section shows the opcode for the instruction.
Description	Detailed description of the instruction execution is described. Any constraints on the operands imposed by the processor or the assembler are discussed.
Restrictions	Any constraints on the operands or use of the instruction imposed by the processor are discussed.
Pipeline	This section describes the instruction in terms of pipeline cycles as described in Chapter 3 .
Example	Examples of instruction execution. If applicable, register and memory values are given before and after instruction execution. All examples assume the device is running with the OBJMODE set to 1. Normally the boot ROM or the c-code initialization will set this bit.
See Also	Lists related instructions.

4.2 Instructions

The instructions are listed alphabetically, preceded by a summary.

Table 4-2. Summary of Instructions

Title	Page
ABSF32 RaH, RbH — 32-bit Floating-Point Absolute Value.....	36
ADDF32 RaH, #16FHi, RbH — 32-bit Floating-Point Addition.....	37
ADDF32 RaH, RbH, #16FHi — 32-bit Floating-Point Addition	39
ADDF32 RaH, RbH, RcH — 32-bit Floating-Point Addition	41
ADDF32 RdH, ReH, RfH MOV32 mem32, RaH — 32-bit Floating-Point Addition with Parallel Move.....	43
ADDF32 RdH, ReH, RfH MOV32 RaH, mem32 — 32-bit Floating-Point Addition with Parallel Move	45
CMPF32 RaH, RbH — 32-bit Floating-Point Compare for Equal, Less Than or Greater Than	47
CMPF32 RaH, #16FHi — 32-bit Floating-Point Compare for Equal, Less Than or Greater Than	48
CMPF32 RaH, #0.0 — 32-bit Floating-Point Compare for Equal, Less Than or Greater Than.....	50
EINVF32 RaH, RbH — 32-bit Floating-Point Reciprocal Approximation	51
EISQRTF32 RaH, RbH — 32-bit Floating-Point Square-Root Reciprocal Approximation	53
F32TOI16 RaH, RbH — Convert 32-bit Floating-Point Value to 16-bit Integer	55
F32TOI16R RaH, RbH — Convert 32-bit Floating-Point Value to 16-bit Integer and Round	56
F32TOI32 RaH, RbH — Convert 32-bit Floating-Point Value to 32-bit Integer	57
F32TOUI16 RaH, RbH — Convert 32-bit Floating-Point Value to 16-bit Unsigned Integer	58
F32TOUI16R RaH, RbH — Convert 32-bit Floating-Point Value to 16-bit Unsigned Integer and Round.....	59
F32TOUI32 RaH, RbH — Convert 32-bit Floating-Point Value to 32-bit Unsigned Integer	60
FRACF32 RaH, RbH — Fractional Portion of a 32-bit Floating-Point Value.....	61
I16TOF32 RaH, RbH — Convert 16-bit Integer to 32-bit Floating-Point Value	62
I16TOF32 RaH, mem16 — Convert 16-bit Integer to 32-bit Floating-Point Value	63
I32TOF32 RaH, mem32 — Convert 32-bit Integer to 32-bit Floating-Point Value	64
I32TOF32 RaH, RbH — Convert 32-bit Integer to 32-bit Floating-Point Value	65
MACF32 R3H, R2H, RdH, ReH, RfH — 32-bit Floating-Point Multiply with Parallel Add	66
MACF32 R3H, R2H, RdH, ReH, RfH MOV32 RaH, mem32 — 32-bit Floating-Point Multiply and Accumulate with Parallel Move	68
MACF32 R7H, R3H, mem32, *XAR7++ — 32-bit Floating-Point Multiply and Accumulate	70
MACF32 R7H, R6H, RdH, ReH, RfH — 32-bit Floating-Point Multiply with Parallel Add	72
MACF32 R7H, R6H, RdH, ReH, RfH MOV32 RaH, mem32 — 32-bit Floating-Point Multiply and Accumulate with Parallel Move	74
MAXF32 RaH, RbH — 32-bit Floating-Point Maximum	76
MAXF32 RaH, #16FHi — 32-bit Floating-Point Maximum	77
MAXF32 RaH, RbH MOV32 RcH, RdH — 32-bit Floating-Point Maximum with Parallel Move.....	78
MINF32 RaH, RbH — 32-bit Floating-Point Minimum.....	79
MINF32 RaH, #16FHi — 32-bit Floating-Point Minimum	80
MINF32 RaH, RbH MOV32 RcH, RdH — 32-bit Floating-Point Minimum with Parallel Move	81
MOV16 mem16, RaH — Move 16-bit Floating-Point Register Contents to Memory.....	82
MOV32 *(0:16bitAddr), loc32 — Move the Contents of loc32 to Memory	83
MOV32 ACC, RaH — Move 32-bit Floating-Point Register Contents to ACC	84
MOV32 loc32, *(0:16bitAddr) — Move 32-bit Value from Memory to loc32	85
MOV32 mem32, RaH — Move 32-bit Floating-Point Register Contents to Memory	86
MOV32 mem32, STF — Move 32-bit STF Register to Memory	88
MOV32 P, RaH — Move 32-bit Floating-Point Register Contents to P	89
MOV32 RaH, ACC — Move the Contents of ACC to a 32-bit Floating-Point Register	90
MOV32 RaH, mem32 {, CNDF} — Conditional 32-bit Move	91
MOV32 RaH, P — Move the Contents of P to a 32-bit Floating-Point Register	93

Table 4-2. Summary of Instructions (continued)

MOV32 RaH, RbH {, CNDF} — Conditional 32-bit Move.....	94
MOV32 RaH, XARn — Move the Contents of XARn to a 32-bit Floating-Point Register	96
MOV32 RaH, XT — Move the Contents of XT to a 32-bit Floating-Point Register	97
MOV32 STF, mem32 — Move 32-bit Value from Memory to the STF Register	98
MOV32 XARn, RaH — Move 32-bit Floating-Point Register Contents to XARn	99
MOV32 XT, RaH — Move 32-bit Floating-Point Register Contents to XT	100
MOVD32 RaH, mem32 — Move 32-bit Value from Memory with Data Copy	101
MOVIZ RaH, #16FHiHex — Load the Upper 16-bits of a 32-bit Floating-Point Register	104
MOVIZF32 RaH, #16FHi — Load the Upper 16-bits of a 32-bit Floating-Point Register	105
MOVST0 FLAG — Load Selected STF Flags into ST0	106
MOVXI RaH, #16FLoHex — Move Immediate to the Low 16-bits of a Floating-Point Register	108
MPYF32 RaH, RbH, RcH — 32-bit Floating-Point Multiply	109
MPYF32 RaH, #16FHi, RbH — 32-bit Floating-Point Multiply	110
MPYF32 RaH, RbH, #16FHi — 32-bit Floating-Point Multiply	112
MPYF32 RaH, RbH, RcH ADDF32 RdH, ReH, RfH — 32-bit Floating-Point Multiply with Parallel Add.....	114
MPYF32 RdH, ReH, RfH MOV32 RaH, mem32 — 32-bit Floating-Point Multiply with Parallel Move	116
MPYF32 RdH, ReH, RfH MOV32 mem32, RaH — 32-bit Floating-Point Multiply with Parallel Move	118
MPYF32 RaH, RbH, RcH SUBF32 RdH, ReH, RfH — 32-bit Floating-Point Multiply with Parallel Subtract.....	119
NEGF32 RaH, RbH{, CNDF} — Conditional Negation	120
POP RB — Pop the RB Register from the Stack	121
PUSH RB — Push the RB Register onto the Stack	123
RESTORE — Restore the Floating-Point Registers	125
RPTB label, loc16 — Repeat A Block of Code	127
RPTB label, #RC — Repeat a Block of Code	129
SAVE FLAG, VALUE — Save Register Set to Shadow Registers and Execute SETFLG	131
SETFLG FLAG, VALUE — Set or clear selected floating-point status flags	133
SUBF32 RaH, RbH, RcH — 32-bit Floating-Point Subtraction.....	134
SUBF32 RaH, #16FHi, RbH — 32-bit Floating Point Subtraction	135
SUBF32 RdH, ReH, RfH MOV32 RaH, mem32 — 32-bit Floating-Point Subtraction with Parallel Move	136
SUBF32 RdH, ReH, RfH MOV32 mem32, RaH — 32-bit Floating-Point Subtraction with Parallel Move	138
SWAPF RaH, RbH{, CNDF} — Conditional Swap	140
TESTTF CNDF — Test STF Register Flag Condition	141
UI16TOF32 RaH, mem16 — Convert unsigned 16-bit integer to 32-bit floating-point value.....	142
UI16TOF32 RaH, RbH — Convert unsigned 16-bit integer to 32-bit floating-point value.....	143
UI32TOF32 RaH, mem32 — Convert Unsigned 32-bit Integer to 32-bit Floating-Point Value.....	144
UI32TOF32 RaH, RbH — Convert Unsigned 32-bit Integer to 32-bit Floating-Point Value	145
ZERO RaH — Zero the Floating-Point Register RaH	146
ZEROA — Zero All Floating-Point Registers.....	147

ABSF32 RaH, RbH 32-bit Floating-Point Absolute Value
Operands

RaH	floating-point destination register (R0H to R7H)
RbH	floating-point source register (R0H to R7H)

Opcode LSW: 1110 0110 1001 0101
 MSW: 0000 0000 00bb baaa

Description The absolute value of RbH is loaded into RaH. Only the sign bit of the operand is modified by the ABSF32 instruction.

```
if (RbH < 0) {RaH = -RbH}
else            {RaH = RbH}
```

Flags This instruction modifies the following flags in the STF register:

Flag	TF	ZI	NI	ZF	NF	LUF	LVF
Modified	No	No	No	Yes	Yes	No	No

The STF register flags are modified as follows:

```
NF = 0;
ZF = 0;
if ( RaH[30:23] == 0) ZF = 1;
```

Pipeline This is a single-cycle instruction.

Example

```
MOVIZF32 R1H, #-2.0        ; R1H = -2.0 (0xC0000000)
ABSF32    R1H, R1H        ; R1H = 2.0 (0x40000000), ZF = NF = 0

MOVIZF32 R0H, #5.0        ; R0H = 5.0 (0x40A00000)
ABSF32    R0H, R0H        ; R0H = 5.0 (0x40A00000), ZF = NF = 0

MOVIZF32 R0H, #0.0        ; R0H = 0.0
ABSF32    R1H, R0H        ; R1H = 0.0 ZF = 1, NF = 0
```

See also [NEGF32 RaH, RbH{, CNDF}](#)

ADDF32 RaH, #16FHi, RbH 32-bit Floating-Point Addition

Operands

RaH	floating-point destination register (R0H to R7H)
#16FHi	A 16-bit immediate value that represents the upper 16-bits of an IEEE 32-bit floating-point value. The low 16-bits of the mantissa are assumed to be all 0.
RbH	floating-point source register (R0H to R7H)

Opcode

```
LSW: 1110 1000 10II IIII
MSW: IIII IIII IIbb baaa
```

Description

Add RbH to the floating-point value represented by the immediate operand. Store the result of the addition in RaH.

#16FHi is a 16-bit immediate value that represents the upper 16-bits of an IEEE 32-bit floating-point value. The low 16-bits of the mantissa are assumed to be all 0. #16FHi is most useful for representing constants where the lowest 16-bits of the mantissa are 0. Some examples are 2.0 (0x40000000), 4.0 (0x40800000), 0.5 (0x3F000000), and -1.5 (0xBFC00000). The assembler will accept either a hex or float as the immediate value. That is, the value -1.5 can be represented as #-1.5 or #0xBFC0.

RaH = RbH + #16FHi:0

This instruction can also be written as ADDF32 RaH, RbH, #16FHi.

Flags

This instruction modifies the following flags in the STF register:

Flag	TF	ZI	NI	ZF	NF	LUF	LVF
Modified	No	No	No	No	No	Yes	Yes

The STF register flags are modified as follows:

- LUF = 1 if ADDF32 generates an underflow condition.
- LVF = 1 if ADDF32 generates an overflow condition.

Pipeline

This is a 2 pipeline-cycle instruction (2p). That is:

```
ADDF32 RaH, #16FHi, RbH ; 2 pipeline cycles (2p)
NOP ; 1 cycle delay or non-
conflicting instruction ; <-- ADDF32 completes, RaH updated
NOP ;
```

Any instruction in the delay slot must not use RaH as a destination register or use RaH as a source operand.

Example

```
; Add to R1H the value 2.0 in 32-bit floating-point format
ADDF32 R0H, #2.0, R1H ; R0H = 2.0 + R1H
NOP ; Delay for ADDF32 to complete
NOP ; <-- ADDF32 completes, R0H updated
;

; Add to R3H the value -2.5 in 32-bit floating-point format
ADDF32 R2H, #-2.5, R3H ; R2H = -2.5 + R3H
NOP ; Delay for ADDF32 to complete
NOP ; <-- ADDF32 completes, R2H updated
;

; Add to R5H the value 0x3FC00000 (1.5)
ADDF32 R5H, #0x3FC0, R5H ; R5H = 1.5 + R5H
NOP ; Delay for ADDF32 to complete
```

```
                                ; <-- ADDF32 completes, R5H updated  
NOP                               ;
```

See also

[ADDF32 RaH, RbH, #16FHi](#)
[ADDF32 RaH, RbH, RcH](#)
[ADDF32 RdH, ReH, RfH || MOV32 RaH, mem32](#)
[ADDF32 RdH, ReH, RfH || MOV32 mem32, RaH](#)
[MACF32 R3H, R2H, RdH, ReH, RfH](#)
[MPYF32 RaH, RbH, RcH || ADDF32 RdH, ReH, RfH](#)

ADDF32 RaH, RbH, #16FHi 32-bit Floating-Point Addition

Operands

RaH	floating-point destination register (R0H to R7H)
RbH	floating-point source register (R0H to R7H)
#16FHi	A 16-bit immediate value that represents the upper 16-bits of an IEEE 32-bit floating-point value. The low 16-bits of the mantissa are assumed to be all 0.

Opcode

```
LSW: 1110 1000 10II IIII
MSW: IIII IIII IIbb baaa
```

Description

Add RbH to the floating-point value represented by the immediate operand. Store the result of the addition in RaH.

#16FHi is a 16-bit immediate value that represents the upper 16-bits of an IEEE 32-bit floating-point value. The low 16-bits of the mantissa are assumed to be all 0. #16FHi is most useful for representing constants where the lowest 16-bits of the mantissa are 0. Some examples are 2.0 (0x40000000), 4.0 (0x40800000), 0.5 (0x3F000000), and -1.5 (0xBF000000). The assembler will accept either a hex or float as the immediate value. That is, the value -1.5 can be represented as #-1.5 or #0xBF000000.

$$RaH = RbH + \#16FHi:0$$

This instruction can also be written as ADDF32 RaH, #16FHi, RbH.

Flags

This instruction modifies the following flags in the STF register:

Flag	TF	ZI	NI	ZF	NF	LUF	LVF
Modified	No	No	No	No	No	Yes	Yes

The STF register flags are modified as follows:

- LUF = 1 if ADDF32 generates an underflow condition.
- LVF = 1 if ADDF32 generates an overflow condition.

Pipeline

This is a 2 pipeline-cycle instruction (2p). That is:

```
ADDF32 RaH, #16FHi, RbH; 2 pipeline cycles (2p)
NOP                      ; 1 cycle delay or non-conflicting instruction
                          ; <-- ADDF32 completes, RaH updated
NOP
```

Any instruction in the delay slot must not use RaH as a destination register or use RaH as a source operand.

Example

```
; Add to R1H the value 2.0 in 32-bit floating-point format
ADDF32 R0H, R1H, #2.0 ; R0H = R1H + 2.0
NOP                  ; Delay for ADDF32 to complete
                    ; <-- ADDF32 completes, R0H updated
NOP
```

```
; Add to R3H the value -2.5 in 32-bit floating-point format
ADDF32 R2H, R3H, #-2.5 ; R2H = R3H + (-2.5)
NOP                  ; Delay for ADDF32 to complete
                    ; <-- ADDF32 completes, R2H updated
NOP
```

```
; Add to R5H the value 0x3FC00000 (1.5)
ADDF32 R5H, R5H, #0x3FC0 ; R5H = R5H + 1.5
NOP                  ; Delay for ADDF32 to complete
                    ; <-- ADDF32 completes, R5H updated
```

NOP

;

See also

ADDF32 RaH, #16FHi, RbH
ADDF32 RaH, RbH, RcH
ADDF32 RdH, ReH, RfH || MOV32 RaH, mem32
ADDF32 RdH, ReH, RfH || MOV32 mem32, RaH
MACF32 R3H, R2H, RdH, ReH, RfH
MPYF32 RaH, RbH, RcH || ADDF32 RdH, ReH, RfH

ADDF32 RaH, RbH, RcH 32-bit Floating-Point Addition

Operands

RaH	floating-point destination register (R0H to R7H)
RbH	floating-point source register (R0H to R7H)
RcH	floating-point source register (R0H to R7H)

Opcode LSW: 1110 0111 0001 0000
MSW: 0000 000c cbbb baaa

Description Add the contents of RcH to the contents of RbH and load the result into RaH.

RaH = RbH + RcH

Flags This instruction modifies the following flags in the STF register:

Flag	TF	ZI	NI	ZF	NF	LUF	LVF
Modified	No	No	No	No	No	Yes	Yes

The STF register flags are modified as follows:

- LUF = 1 if ADDF32 generates an underflow condition.
- LVF = 1 if ADDF32 generates an overflow condition.

Pipeline This is a 2 pipeline-cycle instruction (2p). That is:

```

ADDF32 RaH, RbH, RcH ; 2 pipeline cycles (2p)
NOP                    ; 1 cycle delay or non-conflicting instruction
                       ; <-- ADDF32 completes, RaH updated
NOP

```

Any instruction in the delay slot must not use RaH as a destination register or use RaH as a source operand.

Example Calculate $Y = M1 \times X1 + B1$. This example assumes that M1, X1, B1 and Y are all on the same data page.

```

MOVW   DP, #M1        ; Load the data page
MOV32  R0H, @M1       ; Load R0H with M1
MOV32  R1H, @X1       ; Load R1H with X1
MPYF32 R1H, R1H, R0H  ; Multiply M1*X1
||
MOV32  R0H, @B1       ; and in parallel load R0H with B1
NOP                    ; <-- MOV32 complete
                       ; <-- MPYF32 complete
ADDF32 R1H, R1H, R0H  ; Add M*X1 to B1 and store in R1H
NOP                    ; <-- ADDF32 complete
MOV32  @Y1, R1H       ; Store the result

```

Calculate $Y = A + B$.

```

MOVL   XAR4, #A
MOV32  R0H, *XAR4     ; Load R0H with A
MOVL   XAR4, #B
MOV32  R1H, *XAR4     ; Load R1H with B
ADDF32 R0H, R1H, R0H  ; Add A + B R0H=R0H+R1H
MOVL   XAR4, #Y
                       ; <-- ADDF32 complete
MOV32  *XAR4, R0H     ; Store the result

```

See also [ADDF32 RaH, #16FHi, RbH](#)
[ADDF32 RaH, RbH, #16FHi](#)

ADDF32 RdH, ReH, RfH || MOV32 RaH, mem32
ADDF32 RdH, ReH, RfH || MOV32 mem32, RaH
MACF32 R3H, R2H, RdH, ReH, RfH
MPYF32 RaH, RbH, Rch || ADDF32 RdH, ReH, RfH

ADDF32 RdH, ReH, RfH || MOV32 mem32, RaH *32-bit Floating-Point Addition with Parallel Move*

Operands

RdH	floating-point destination register for the ADDF32 (R0H to R7H)
ReH	floating-point source register for the ADDF32 (R0H to R7H)
RfH	floating-point source register for the ADDF32 (R0H to R7H)
mem32	pointer to a 32-bit memory location. This will be the destination of the MOV32.
RaH	floating-point source register for the MOV32 (R0H to R7H)

Opcode

LSW: 1110 0000 0001 fffe
MSW: eedd daaa mem32

Description

Perform an ADDF32 and a MOV32 in parallel. Add RfH to the contents of ReH and store the result in RdH. In parallel move the contents of RaH to the 32-bit location pointed to by mem32. mem32 addresses memory using any of the direct or indirect addressing modes supported by the C28x CPU.

RdH = ReH + RfH,
[mem32] = RaH

Flags

This instruction modifies the following flags in the STF register:

Flag	TF	ZI	NI	ZF	NF	LUF	LVF
Modified	No	No	No	No	No	Yes	Yes

The STF register flags are modified as follows:

- LUF = 1 if ADDF32 generates an underflow condition.
- LVF = 1 if ADDF32 generates an overflow condition.

Pipeline

ADDF32 is a 2 pipeline-cycle instruction (2p) and MOV32 takes a single cycle. That is:

```

ADDF32 RdH, ReH, RfH ; 2 pipeline cycles (2p)
|| MOV32 mem32, RaH ; 1 cycle
; <-- MOV32 completes, mem32 updated
NOP ; 1 cycle delay or non-conflicting instruction
; <-- ADDF32 completes, RdH updated
NOP

```

Any instruction in the delay slot must not use RdH as a destination register or use RdH as a source operand.

Example

```

ADDF32 R3H, R6H, R4H ; (A) R3H = R6H + R4H and R7H = I3
|| MOV32 R7H, *-SP[2] ;
; <-- R7H valid
SUBF32 R6H, R6H, R4H ; (B) R6H = R6H - R4H
; <-- ADDF32 (A) completes, R3H valid
SUBF32 R3H, R1H, R7H ; (C) R3H = R1H - R7H and store R3H (A)
|| MOV32 *+XAR5[2], R3H ;
; <-- SUBF32 (B) completes, R6H valid
; <-- MOV32 completes, (A) stored
ADDF32 R4H, R7H, R1H ; R4H = D = R7H + R1H and store R6H (B)
|| MOV32 *+XAR5[6], R6H ;
; <-- SUBF32 (C) completes, R3H valid
; <-- MOV32 completes, (B) stored
MOV32 *+XAR5[0], R3H ; store R3H (C)
; <-- MOV32 completes, (C) stored
; <-- ADDF32 (D) completes, R4H valid
MOV32 *+XAR5[4], R4H ; store R4H (D)
; <-- MOV32 completes, (D) stored

```

See also

[ADDF32 RaH, #16FHi, RbH](#)
[ADDF32 RaH, RbH, #16FHi](#)
[ADDF32 RaH, RbH, RcH](#)
[MACF32 R3H, R2H, RdH, ReH, RfH](#)
[MPYF32 RaH, RbH, RcH || ADDF32 RdH, ReH, RfH](#)
[ADDF32 RdH, ReH, RfH || MOV32 RaH, mem32](#)

ADDF32 RdH, ReH, RfH || MOV32 RaH, mem32 *32-bit Floating-Point Addition with Parallel Move*

Operands

RdH	floating-point destination register for the ADDF32 (R0H to R7H). RdH cannot be the same register as RaH.
ReH	floating-point source register for the ADDF32 (R0H to R7H)
RfH	floating-point source register for the ADDF32 (R0H to R7H)
RaH	floating-point destination register for the MOV32 (R0H to R7H). RaH cannot be the same register as RdH.
mem32	pointer to a 32-bit memory location. This is the source for the MOV32.

Opcode

```
LSW: 1110 0011 0001 fffe
MSW: eedd daaa mem32
```

Description

Perform an ADDF32 and a MOV32 operation in parallel. Add RfH to the contents of ReH and store the result in RdH. In parallel move the contents of the 32-bit location pointed to by mem32 to RaH. mem32 addresses memory using any of the direct or indirect addressing modes supported by the C28x CPU.

```
RdH = ReH + RfH,
RaH = [mem32]
```

Restrictions

The destination register for the ADDF32 and the MOV32 must be unique. That is, RaH and RdH cannot be the same register.

Any instruction in the delay slot must not use RdH as a destination register or use RdH as a source operand.

Flags

This instruction modifies the following flags in the STF register:

Flag	TF	ZI	NI	ZF	NF	LUF	LVF
Modified	No	Yes	Yes	Yes	Yes	Yes	Yes

The STF register flags are modified as follows:

- LUF = 1 if ADDF32 generates an underflow condition.
- LVF = 1 if ADDF32 generates an overflow condition.

The MOV32 Instruction will set the NF, ZF, NI and ZI flags as follows:

```
NF = RaH(31);
ZF = 0;
if(RaH(30:23) == 0) { ZF = 1; NF = 0; }
NI = RaH(31);
ZI = 0;
if(RaH(31:0) == 0) ZI = 1;
```

Pipeline

The ADDF32 takes 2 pipeline cycles (2p) and the MOV32 takes a single cycle. That is:

```

      ADDF32 RdH, ReH, RfH ; 2 pipeline cycles (2p)
||    MOV32 RaH, mem32   ; 1 cycle
      ; <-- MOV32 completes, RaH updated
      NOP                 ; 1 cycle delay or non-conflicting instruction
      ; <-- ADDF32 completes, RdH updated
      NOP
```

Example
Calculate $Y = A + B - C$:

```

        MOVL    XAR4, #A
        MOV32   R0H, *XAR4      ; Load R0H with A
        MOVL    XAR4, #B
        MOV32   R1H, *XAR4      ; Load R1H with B
        MOVL    XAR4, #C
        ADDF32  R0H,R1H,R0H     ; Add A + B and in parallel
    ||    MOV32   R2H, *XAR4      ; Load R2H with C
        ; <-- MOV32 complete
        MOVL    XAR4,#Y         ; ADDF32 complete
        SUBF32  R0H,R0H,R2H     ; Subtract C from (A + B)
        NOP
        ; <-- SUBF32 completes
        MOV32   *XAR4,R0H       ; Store the result
    
```

See also

[ADDF32 RaH, #16FHi, RbH](#)
[ADDF32 RaH, RbH, #16FHi](#)
[ADDF32 RaH, RbH, RcH](#)
[ADDF32 RdH, ReH, RfH || MOV32 mem32, RaH](#)
[MACF32 R3H, R2H, RdH, ReH, RfH](#)
[MPYF32 RaH, RbH, RcH || ADDF32 RdH, ReH, RfH](#)

CMPF32 RaH, RbH *32-bit Floating-Point Compare for Equal, Less Than or Greater Than*

Operands

RaH	floating-point source register (R0H to R7H)
RbH	floating-point source register (R0H to R7H)

Opcode

LSW: 1110 0110 1001 0100
MSW: 0000 0000 00bb baaa

Description

Set ZF and NF flags on the result of RaH - RbH. The CMPF32 instruction is performed as a logical compare operation. This is possible because of the IEEE format offsetting the exponent. Basically the bigger the binary number, the bigger the floating-point value.

Special cases for inputs:

- Negative zero will be treated as positive zero.
- A denormalized value will be treated as positive zero.
- Not-a-Number (NaN) will be treated as infinity.

Flags

This instruction modifies the following flags in the STF register:

Flag	TF	ZI	NI	ZF	NF	LUF	LVF
Modified	No	No	No	Yes	Yes	No	No

The STF register flags are modified as follows:

```
If (RaH == RbH) {ZF=1, NF=0}
If (RaH > RbH) {ZF=0, NF=0}
If (RaH < RbH) {ZF=0, NF=1}
```

Pipeline

This is a single-cycle instruction.

Example

```
; Behavior of ZF and NF flags for different comparisons

MOVIZF32 R1H, #-2.0      ; R1H = -2.0 (0xC0000000)
MOVIZF32 R0H, #5.0      ; R0H = 5.0 (0x40A00000)
CMPF32 R1H, R0H         ; ZF = 0, NF = 1
CMPF32 R0H, R1H         ; ZF = 0, NF = 0
CMPF32 R0H, R0H         ; ZF = 1, NF = 0

; Using the result of a compare for loop control

Loop:
MOV32 R0H,*XAR4++       ; Load R0H
MOV32 R1H,*XAR3++       ; Load R1H
CMPF32 R1H, R0H         ; Set/clear ZF and NF
MOVST0 ZF, NF           ; Copy ZF and NF to ST0 Z and N bits
BF Loop, GT             ; Loop if R1H > R0H
```

See also

[CMPF32 RaH, #16FHi](#)
[CMPF32 RaH, #0.0](#)
[MAXF32 RaH, #16FHi](#)
[MAXF32 RaH, RbH](#)
[MINF32 RaH, #16FHi](#)
[MINF32 RaH, RbH](#)

CMPF32 RaH, #16FHi 32-bit Floating-Point Compare for Equal, Less Than or Greater Than

Operands

RaH	floating-point source register (R0H to R7H)
#16FHi	A 16-bit immediate value that represents the upper 16-bits of an IEEE 32-bit floating-point value. The low 16-bits of the mantissa are assumed to be all 0.

Opcode

```
LSW: 1110 1000 0001 0III
MSW: IIII IIII IIII Iaaa
```

Description

Compare the value in RaH with the floating-point value represented by the immediate operand. Set the ZF and NF flags on (RaH - #16FHi:0).

#16FHi is a 16-bit immediate value that represents the upper 16-bits of an IEEE 32-bit floating-point value. The low 16-bits of the mantissa are assumed to be all 0. This addressing mode is most useful for constants where the lowest 16-bits of the mantissa are 0. Some examples are 2.0 (0x40000000), 4.0 (0x40800000), 0.5 (0x3F000000), and -1.5 (0xBFC00000). The assembler will accept either a hex or float as the immediate value. That is, -1.5 can be represented as #-1.5 or #0xBFC0.

The CMPF32 instruction is performed as a logical compare operation. This is possible because of the IEEE floating-point format offsets the exponent. Basically the bigger the binary number, the bigger the floating-point value.

Special cases for inputs:

- Negative zero will be treated as positive zero.
- Denormalized value will be treated as positive zero.
- Not-a-Number (NaN) will be treated as infinity.

Flags

This instruction modifies the following flags in the STF register:

Flag	TF	ZI	NI	ZF	NF	LUF	LVF
Modified	No	No	No	Yes	Yes	No	No

The STF register flags are modified as follows:

```
If (RaH == #16FHi:0) {ZF=1, NF=0}
If (RaH > #16FHi:0) {ZF=0, NF=0}
If (RaH < #16FHi:0) {ZF=0, NF=1}
```

Pipeline

This is a single-cycle instruction

Example

```
;
Behavior of ZF and NF flags for different comparisons
MOVZF32 R1H, #-2.0      ; R1H = -2.0 (0xC0000000)
MOVZF32 R0H, #5.0      ; R0H = 5.0 (0x40A00000)
CMPF32  R1H, #-2.2     ; ZF = 0, NF = 0
CMPF32  R0H, #6.5     ; ZF = 0, NF = 1
CMPF32  R0H, #5.0     ; ZF = 1, NF = 0

; Using the result of a compare for loop control

Loop:
MOV32   R1H,*XAR3++    ; Load R1H
CMPF32  R1H, #2.0      ; Set/clear ZF and NF
MOVST0  ZF, NF         ; Copy ZF and NF to ST0 Z and N bits
BF      Loop, GT       ; Loop if R1H > #2.0
```

See also

[CMPF32 RaH, #0.0](#)
[CMPF32 RaH, RbH](#)

MAXF32 RaH, #16FHi
MAXF32 RaH, RbH
MINF32 RaH, #16FHi
MINF32 RaH, RbH

CMPF32 RaH, #0.0 *32-bit Floating-Point Compare for Equal, Less Than or Greater Than*

Operands

RaH	floating-point source register (R0H to R7H)
#0.0	zero

Opcode LSW: 1110 0101 1010 0aaa

Description Set the ZF and NF flags on (RaH - #0.0). The CMPF32 instruction is performed as a logical compare operation. This is possible because of the IEEE floating-point format offsets the exponent. Basically the bigger the binary number, the bigger the floating-point value.

Special cases for inputs:

- Negative zero will be treated as positive zero.
- Denormalized value will be treated as positive zero.
- Not-a-Number (NaN) will be treated as infinity.

Flags This instruction modifies the following flags in the STF register:

Flag	TF	ZI	NI	ZF	NF	LUF	LVF
Modified	No	No	No	Yes	Yes	No	No

The STF register flags are modified as follows:

```
If(RaH == #0.0) {ZF=1, NF=0}
If(RaH > #0.0) {ZF=0, NF=0}
If(RaH < #0.0) {ZF=0, NF=1}
```

Pipeline This is a single-cycle instruction.

Example

```
;
Behavior of ZF and NF flags for different comparisons
MOVIZF32 R0H, #5.0      ; R0H = 5.0 (0x40A00000)
MOVIZF32 R1H, #-2.0    ; R1H = -2.0 (0xC0000000)
MOVIZF32 R2H, #0.0     ; R2H = 0.0 (0x00000000)
CMPF32 R0H, #0.0       ; ZF = 0, NF = 0
CMPF32 R1H, #0.0       ; ZF = 0, NF = 1
CMPF32 R2H, #0.0       ; ZF = 1, NF = 0

; Using the result of a compare for loop control

Loop:
MOV32 R1H,*XAR3++      ; Load R1H
CMPF32 R1H, #0.0       ; Set/clear ZF and NF
MOVST0 ZF, NF          ; Copy ZF and NF to ST0 Z and N bits
BF Loop, GT            ; Loop if R1H > #0.0
```

See also

[CMPF32 RaH, #0.0](#)
[CMPF32 RaH, #16FHi](#)
[MAXF32 RaH, #16FHi](#)
[MAXF32 RaH, RbH](#)
[MINF32 RaH, #16FHi](#)
[MINF32 RaH, RbH](#)

EINVF32 RaH, RbH *32-bit Floating-Point Reciprocal Approximation*

Operands

RaH	floating-point destination register (R0H to R7H)
RbH	floating-point source register (R0H to R7H)

Opcode

LSW: 1110 0110 1001 0011
MSW: 0000 0000 00bb baaa

Description

This operation generates an estimate of $1/X$ in 32-bit floating-point format accurate to approximately 8 bits. This value can be used in a Newton-Raphson algorithm to get a more accurate answer. That is:

```
Ye = Estimate(1/X);
Ye = Ye*(2.0 - Ye*X)
Ye = Ye*(2.0 - Ye*X)
```

After two iterations of the Newton-Raphson algorithm, you will get an exact answer accurate to the 32-bit floating-point format. On each iteration the mantissa bit accuracy approximately doubles. The EINVF32 operation will not generate a negative zero, DeNorm or NaN value.

RaH = Estimate of $1/RbH$

Flags

This instruction modifies the following flags in the STF register:

Flag	TF	ZI	NI	ZF	NF	LUF	LVF
Modified	No	No	No	No	No	Yes	Yes

The STF register flags are modified as follows:

- LUF = 1 if EINVF32 generates an underflow condition.
- LVF = 1 if EINVF32 generates an overflow condition.

Pipeline

This is a 2 pipeline cycle (2p) instruction. That is:

```
EINVF32 RaH, RbH      ; 2p
NOP                    ; 1 cycle delay or non-conflicting instruction
                       ; <-- EINVF32 completes, RaH updated
NOP
```

Any instruction in the delay slot must not use RaH as a destination register or use RaH as a source operand.

Example

Calculate $Y = A/B$. A fast division routine similar to that shown below can be found in the *C28x FPU Fast RTS Library* ([SPRC664](#)).

```

        MOVL    XAR4, #A
        MOV32   R0H, *XAR4      ; Load R0H with A
        MOVL    XAR4, #B
        MOV32   R1H, *XAR4      ; Load R1H with B
        LCR     DIV              ; Calculate R0H = R0H / R1H
        MOV32   *XAR4, R0H      ;
    ....

DIV:
        EINVF32 R2H, R1H        ; R2H = Ye = Estimate(1/B)
        CMPF32  R0H, #0.0       ; Check if A == 0
        MPYF32  R3H, R2H, R1H   ; R3H = Ye*B
        NOP
        SUBF32  R3H, #2.0, R3H  ; R3H = 2.0 - Ye*B
        NOP
        MPYF32  R2H, R2H, R3H   ; R2H = Ye = Ye*(2.0 - Ye*B)
        NOP
        MPYF32  R3H, R2H, R1H   ; R3H = Ye*B
        CMPF32  R1H, #0.0       ; Check if B == 0.0
        SUBF32  R3H, #2.0, R3H  ; R3H = 2.0 - Ye*B
        NEGF32  R0H, R0H, EQ    ; Fixes sign for A/0.0
        MPYF32  R2H, R2H, R3H   ; R2H = Ye = Ye*(2.0 - Ye*B)
        NOP
        MPYF32  R0H, R0H, R2H   ; R0H = Y = A*Ye = A/B
        LRETR
    
```

See also

[EISQRTF32 RaH, RbH](#)

EISQRTF32 RaH, RbH 32-bit Floating-Point Square-Root Reciprocal Approximation

Operands

RaH	floating-point destination register (R0H to R7H)
RbH	floating-point source register (R0H to R7H)

Opcode

LSW: 1110 0110 1001 0010
MSW: 0000 0000 00bb baaa

Description

This operation generates an estimate of $1/\sqrt{X}$ in 32-bit floating-point format accurate to approximately 8 bits. This value can be used in a Newton-Raphson algorithm to get a more accurate answer. That is:

```
Ye = Estimate(1/sqrt(X));
Ye = Ye*(1.5 - Ye*Ye*X/2.0)
Ye = Ye*(1.5 - Ye*Ye*X/2.0)
```

After 2 iterations of the Newton-Raphson algorithm, you will get an exact answer accurate to the 32-bit floating-point format. On each iteration the mantissa bit accuracy approximately doubles. The EISQRTF32 operation will not generate a negative zero, DeNorm or NaN value.

RaH = Estimate of $1/\sqrt{RbH}$

Flags

This instruction modifies the following flags in the STF register:

Flag	TF	ZI	NI	ZF	NF	LUF	LVF
Modified	No	No	No	No	No	Yes	Yes

The STF register flags are modified as follows:

- LUF = 1 if EISQRTF32 generates an underflow condition.
- LVF = 1 if EISQRTF32 generates an overflow condition.

Pipeline

This is a 2 pipeline cycle (2p) instruction. That is:

```
EINV32 RaH, RbH      ; 2 pipeline cycles (2p)
NOP                   ; 1 cycle delay or non-conflicting instruction
                       ; <-- EISQRTF32 completes, RaH updated
NOP
```

Any instruction in the delay slot must not use RaH as a destination register or use RaH as a source operand.

Example

Calculate the square root of X. A square-root routine similar to that shown below can be found in the *C28x FPU Fast RTS Library* ([SPRC664](#)).

```

; Y = sqrt(X)
; Ye = Estimate(1/sqrt(X))
; Ye = Ye*(1.5 - Ye*Ye*X*0.5)
; Ye = Ye*(1.5 - Ye*Ye*X*0.5)
; Y = X*Ye
_sqrt:
                                ; R0H = X on entry
EISQRTF32 R1H, R0H              ; R1H = Ye = Estimate(1/sqrt(X))
MPYF32  R2H, R0H, #0.5          ; R2H = X*0.5
MPYF32  R3H, R1H, R1H          ; R3H = Ye*Ye
NOP
MPYF32  R3H, R3H, R2H          ; R3H = Ye*Ye*X*0.5
NOP
SUBF32  R3H, #1.5, R3H         ; R3H = 1.5 - Ye*Ye*X*0.5
NOP
MPYF32  R1H, R1H, R3H         ; R2H = Ye = Ye*(1.5 - Ye*Ye*X*0.5)
NOP
MPYF32  R3H, R1H, R2H         ; R3H = Ye*X*0.5
NOP
MPYF32  R3H, R1H, R3H         ; R3H = Ye*Ye*X*0.5
NOP
SUBF32  R3H, #1.5, R3H         ; R3H = 1.5 - Ye*Ye*X*0.5
CMPF32  R0H, #0.0              ; Check if X == 0
MPYF32  R1H, R1H, R3H         ; R2H = Ye = Ye*(1.5 - Ye*Ye*X*0.5)
NOP
MOV32   R1H, R0H, EQ          ; If X is zero, change the Ye estimate to 0
MPYF32  R0H, R0H, R1H         ; R0H = Y = X*Ye = sqrt(X)
LRETR

```

See also

[EINV32 RaH, RbH](#)

F32TOI16 RaH, RbH *Convert 32-bit Floating-Point Value to 16-bit Integer*

Operands

RaH	floating-point destination register (R0H to R7H)
RbH	floating-point source register (R0H to R7H)

Opcode
 LSW: 1110 0110 1000 1100
 MSW: 0000 0000 00bb baaa

Description Convert a 32-bit floating point value in RbH to a 16-bit integer and truncate. The result will be stored in RaH.

RaH(15:0) = F32TOI16(RbH)
 RaH(31:16) = sign extension of RaH(15)

Flags This instruction does not affect any flags:

Flag	TF	ZI	NI	ZF	NF	LUF	LVF
Modified	No	No	No	No	No	No	No

Pipeline This is a 2 pipeline cycle (2p) instruction. That is:

```
F32TOI16 RaH, RbH      ; 2 pipeline cycles (2p)
NOP                    ; 1 cycle delay or non-conflicting instruction
                        ; <-- F32TOI16 completes, RaH updated
NOP
```

Any instruction in the delay slot must not use RaH as a destination register or use RaH as a source operand.

Example

```
MOVIZF32 R0H, #5.0      ; R0H = 5.0 (0x40A00000)
F32TOI16 R1H, R0H      ; R1H(15:0) = F32TOI16(R0H)
                        ; R1H(31:16) = Sign extension of R1H(15)
MOVIZF32 R2H, #-5.0    ; R2H = -5.0 (0xC0A00000)
                        ; <-- F32TOI16 complete, R1H(15:0) = 5 (0x0005)
                        ;                               R1H(31:16) = 0
(0x0000)
F32TOI16 R3H, R2H      ; R3H(15:0) = F32TOI16(R2H)
                        ; R3H(31:16) = Sign extension of R3H(15)
NOP                    ; 1 Cycle delay for F32TOI16 to complete
                        ; <-- F32TOI16 complete, R3H(15:0) = -5 (0xFFFFB)
                        ;                               R3H(31:16) = (0xFFFF)
```

See also

[F32TOI16R RaH, RbH](#)
[F32TOUI16 RaH, RbH](#)
[F32TOUI16R RaH, RbH](#)
[I16TOF32 RaH, RbH](#)
[I16TOF32 RaH, mem16](#)
[UI16TOF32 RaH, mem16](#)
[UI16TOF32 RaH, RbH](#)

F32TOI16R RaH, RbH *Convert 32-bit Floating-Point Value to 16-bit Integer and Round*
Operands

RaH	floating-point destination register (R0H to R7H)
RbH	floating-point source register (R0H to R7H)

Opcode LSW: 1110 0110 1000 1100
 MSW: 1000 0000 00bb baaa

Description Convert the 32-bit floating point value in RbH to a 16-bit integer and round to the nearest even value. The result is stored in RaH.

RaH(15:0) = F32ToI16round(RbH)
 RaH(31:16) = sign extension of RaH(15)

Flags This instruction does not affect any flags:

Flag	TF	ZI	NI	ZF	NF	LUF	LVF
Modified	No	No	No	No	No	No	No

Pipeline This is a 2 pipeline cycle (2p) instruction. That is:

```

F32TOI16R RaH, RbH      ; 2 pipeline cycles (2p)
NOP                      ; 1 cycle delay or non-conflicting instruction
                          ; <-- F32TOI16R completes, RaH updated
NOP
  
```

Any instruction in the delay slot must not use RaH as a destination register or use RaH as a source operand.

Example

```

MOVIZ R0H, #0x3FD9      ; R0H [31:16] = 0x3FD9
MOVXI R0H, #0x999A      ; R0H [15:0] = 0x999A ; R0H = 1.7 (0x3FD9999A)
F32TOI16R R1H, R0H      ; R1H(15:0) = F32TOI16round (R0H)
                          ; R1H(31:16) = Sign extension of R1H(15)
MOVF32 R2H, #-1.7      ; R2H = -1.7 (0xBFD9999A)
                          ; <-- F32TOI16R complete, R1H(15:0) = 2 (0x0002)
                          ;                               R1H(31:16) = 0
(0x0000)
F32TOI16R R3H, R2H      ; R3H(15:0) = F32TOI16round (R2H)
                          ; R3H(31:16) = Sign extension of R2H(15)
NOP                      ; 1 Cycle delay for F32TOI16R to complete
                          ; <-- F32TOI16R complete, R1H(15:0) = -2 (0xFFFE)
                          ;                               R1H(31:16) = (0xFFFF)
  
```

See also

[F32TOI16 RaH, RbH](#)
[F32TOUI16 RaH, RbH](#)
[F32TOUI16R RaH, RbH](#)
[I16TOF32 RaH, RbH](#)
[I16TOF32 RaH, mem16](#)
[UI16TOF32 RaH, mem16](#)
[UI16TOF32 RaH, RbH](#)

F32TOI32 RaH, RbH *Convert 32-bit Floating-Point Value to 32-bit Integer*

Operands

RaH	floating-point destination register (R0H to R7H)
RbH	floating-point source register (R0H to R7H)

Opcode
 LSW: 1110 0110 1000 1000
 MSW: 0000 0000 00bb baaa

Description
 Convert the 32-bit floating-point value in RbH to a 32-bit integer value and truncate. Store the result in RaH.

RaH = F32TOI32(RbH)

Flags
 This instruction does not affect any flags:

Flag	TF	ZI	NI	ZF	NF	LUF	LVF
Modified	No	No	No	No	No	No	No

Pipeline
 This is a 2 pipeline cycle (2p) instruction. That is:

```

F32TOI32 RaH, RbH ; 2 pipeline cycles (2p)
NOP ; 1 cycle delay or non-
conflicting instruction
; <-- F32TOI32 completes, RaH updated
NOP
```

Any instruction in the delay slot must not use RaH as a destination register or use RaH as a source operand.

Example

```

MOV32 R2H, #11204005.0 ; R2H = 11204005.0 (0x4B2AF5A5)
F32TOI32 R3H, R2H ; R3H = F32TOI32 (R2H)
MOV32 R4H, #-11204005.0 ; R4H = -11204005.0 (0xCB2AF5A5)
; <-- F32TOI32 complete,
; R3H = 11204005 (0x00AAF5A5)
F32TOI32 R5H, R4H ; R5H = F32TOI32 (R4H)
NOP ; 1 Cycle delay for F32TOI32 to complete
; <-- F32TOI32 complete,
; R5H = -11204005 (0xFF550A5B)
```

See also

[F32TOUI32 RaH, RbH](#)
[I32TOF32 RaH, RbH](#)
[I32TOF32 RaH, mem32](#)
[UI32TOF32 RaH, RbH](#)
[UI32TOF32 RaH, mem32](#)

F32TOUI16 RaH, RbH *Convert 32-bit Floating-Point Value to 16-bit Unsigned Integer*
Operands

RaH	floating-point destination register (R0H to R7H)
RbH	floating-point source register (R0H to R7H)

Opcode LSW: 1110 0110 1000 1110
MSW: 0000 0000 00bb baaa

Description Convert the 32-bit floating point value in RbH to an unsigned 16-bit integer value and truncate to zero. The result will be stored in RaH. To instead round the integer to the nearest even value use the F32TOUI16R instruction.

RaH(15:0) = F32TOUI16(RbH)
RaH(31:16) = 0x0000

Flags This instruction does not affect any flags:

Flag	TF	ZI	NI	ZF	NF	LUF	LVF
Modified	No	No	No	No	No	No	No

Pipeline This is a 2 pipeline cycle (2p) instruction. That is:

```
F32TOUI16 RaH, RbH      ; 2 pipeline cycles (2p)
NOP                      ; 1 cycle delay or non-conflicting instruction
                          ; <-- F32TOUI16 completes, RaH updated
NOP
```

Any instruction in the delay slot must not use RaH as a destination register or use RaH as a source operand.

Example

```
MOVIZF32 R4H, #9.0      ; R4H = 9.0 (0x41100000)
F32TOUI16 R5H, R4H      ; R5H (15:0) = F32TOUI16 (R4H)
                          ; R5H (31:16) = 0x0000
MOVIZF32 R6H, #-9.0     ; R6H = -9.0 (0xC1100000)
                          ; <--
F32TOUI16 complete, R5H (15:0) = 9.0 (0x0009)
                          ; R5H (31:16) = 0.0
(0x0000)
F32TOUI16 R7H, R6H      ; R7H (15:0) = F32TOUI16 (R6H)
                          ; R7H (31:16) = 0x0000
NOP                      ; 1 Cycle delay for F32TOUI16 to complete
                          ; <--
F32TOUI16 complete, R7H (15:0) = 0.0 (0x0000)
                          ; R7H (31:16) = 0.0
(0x0000)
```

See also

- [F32TOI16 RaH, RbH](#)
- [F32TOUI16R RaH, RbH](#)
- [F32TOUI16R RaH, RbH](#)
- [I16TOF32 RaH, RbH](#)
- [I16TOF32 RaH, mem16](#)
- [UI16TOF32 RaH, mem16](#)
- [UI16TOF32 RaH, RbH](#)

F32TOUI16R RaH, RbH *Convert 32-bit Floating-Point Value to 16-bit Unsigned Integer and Round*

Operands

RaH	floating-point destination register (R0H to R7H)
RbH	floating-point source register (R0H to R7H)

Opcode
 LSW: 1110 0110 1000 1110
 MSW: 1000 0000 00bb baaa

Description
 Convert the 32-bit floating-point value in RbH to an unsigned 16-bit integer and round to the closest even value. The result will be stored in RaH. To instead truncate the converted value, use the F32TOUI16 instruction.

RaH(15:0) = F32ToUI16round(RbH)
 RaH(31:16) = 0x0000

Flags
 This instruction does not affect any flags:

Flag	TF	ZI	NI	ZF	NF	LUF	LVF
Modified	No	No	No	No	No	No	No

Pipeline
 This is a 2 pipeline cycle (2p) instruction. That is:

```
F32TOUI16R RaH, RbH    ; 2 pipeline cycles (2p)
NOP                    ; 1 cycle delay or non-conflicting instruction
                        ; <-- F32TOUI16R completes, RaH updated
NOP
```

Any instruction in the delay slot must not use RaH as a destination register or use RaH as a source operand.

Example

```
MOVIZ   R5H, #0x412C    ; R5H = 0x412C
MOVXI   R5H, #0xCCCD    ; R5H = 0xCCCD
                        ; R5H = 10.8 (0x412CCCCD)
F32TOUI16R R6H, R5H    ; R6H (15:0) = F32TOUI16round (R5H)
                        ; R6H (31:16) = 0x0000
MOVF32  R7H, #-10.8    ; R7H = -10.8 (0x0xC12CCCCD)
                        ; <-- F32TOUI16R complete,
                        ; R6H (15:0) = 11.0 (0x000B)
                        ; R6H (31:16) = 0.0 (0x0000)
F32TOUI16R R0H, R7H    ; R0H (15:0) = F32TOUI16round (R7H)
                        ; R0H (31:16) = 0x0000
NOP     ; 1 Cycle delay for F32TOUI16R to complete
                        ; <-- F32TOUI16R complete,
                        ; R0H (15:0) = 0.0 (0x0000)
                        ; R0H (31:16) = 0.0 (0x0000)
```

See also

[F32TOI16 RaH, RbH](#)
[F32TOI16R RaH, RbH](#)
[F32TOUI16 RaH, RbH](#)
[I16TOF32 RaH, RbH](#)
[I16TOF32 RaH, mem16](#)
[UI16TOF32 RaH, mem16](#)
[UI16TOF32 RaH, RbH](#)

F32TOUI32 RaH, RbH *Convert 32-bit Floating-Point Value to 16-bit Unsigned Integer*

Operands

RaH	floating-point destination register (R0H to R7H)
RbH	floating-point source register (R0H to R7H)

Opcode
 LSW: 1110 0110 1000 1010
 MSW: 0000 0000 00bb baaa

Description
 Convert the 32-bit floating-point value in RbH to an unsigned 32-bit integer and store the result in RaH.

RaH = F32TOUI32(RbH)

Flags
 This instruction does not affect any flags:

Flag	TF	ZI	NI	ZF	NF	LUF	LVF
Modified	No	No	No	No	No	No	No

Pipeline
 This is a 2 pipeline cycle (2p) instruction. That is:

```

F32TOUI32 RaH, RbH      ; 2 pipeline cycles (2p)
NOP                      ; 1 cycle delay or non-conflicting instruction
                          ; <-- F32TOUI32 completes, RaH updated
NOP
  
```

Any instruction in the delay slot must not use RaH as a destination register or use RaH as a source operand.

Example

```

MOVIZF32 R6H, #12.5      ; R6H = 12.5 (0x41480000)
F32TOUI32 R7H, R6H      ; R7H = F32TOUI32 (R6H)
MOVIZF32 R1H, #-6.5     ; R1H = -6.5 (0xC0D00000)
                          ; <-- F32TOUI32 complete, R7H = 12.0 (0x0000000C)
F32TOUI32 R2H, R1H      ; R2H = F32TOUI32 (R1H)
NOP                      ; 1 Cycle delay for F32TOUI32 to complete
                          ; <-- F32TOUI32 complete, R2H = 0.0 (0x00000000)
  
```

See also

[F32TOI32 RaH, RbH](#)
[I32TOF32 RaH, RbH](#)
[I32TOF32 RaH, mem32](#)
[UI32TOF32 RaH, RbH](#)
[UI32TOF32 RaH, mem32](#)

FRACF32 RaH, RbH *Fractional Portion of a 32-bit Floating-Point Value*

Operands

RaH	floating-point destination register (R0H to R7H)
RbH	floating-point source register (R0H to R7H)

Opcode LSW: 1110 0110 1111 0001
MSW: 0000 0000 00bb baaa

Description Returns in RaH the fractional portion of the 32-bit floating-point value in RbH

Flags This instruction does not affect any flags:

Flag	TF	ZI	NI	ZF	NF	LUF	LVF
Modified	No	No	No	No	No	No	No

Pipeline This is a 2 pipeline cycle (2p) instruction. That is:

```

FRACF32 RaH, RbH      ; 2 pipeline cycles (2p)
NOP                   ; 1 cycle delay or non-conflicting instruction
                       ; <-- FRACF32 completes, RaH updated
NOP

```

Any instruction in the delay slot must not use RaH as a destination register or use RaH as a source operand.

Example

```

MOVIZF32 R2H, #19.625 ; R2H = 19.625 (0x419D0000)
FRACF32  R3H, R2H    ; R3H = FRACF32 (R2H)
NOP                  ; 1 Cycle delay for FRACF32 to complete
                       ; <-- FRACF32 complete, R3H = 0.625 (0x3F200000)

```

See also

I16TOF32 RaH, RbH *Convert 16-bit Integer to 32-bit Floating-Point Value*

Operands

RaH	floating-point destination register (R0H to R7H)
RbH	floating-point source register (R0H to R7H)

Opcode
LSW: 1110 0110 1000 1101
MSW: 0000 0000 00bb baaa

Description
Convert the 16-bit signed integer in RbH to a 32-bit floating point value and store the result in RaH.

RaH = I16ToF32 RbH

Flags
This instruction does not affect any flags:

Flag	TF	ZI	NI	ZF	NF	LUF	LVF
Modified	No	No	No	No	No	No	No

Pipeline
This is a 2 pipeline cycle (2p) instruction. That is:

```

I16TOF32 RaH, RbH      ; 2 pipeline cycles (2p)
NOP                    ; 1 cycle delay or non-conflicting instruction
                        ; <-- I16TOF32 completes, RaH updated
NOP

```

Any instruction in the delay slot must not use RaH as a destination register or use RaH as a source operand.

Example

```

MOVIZ  R0H, #0x0000    ; R0H[31:16] = 0.0 (0x0000)
MOVXI  R0H, #0x0004    ; R0H[15:0] = 4.0 (0x0004)
I16TOF32 R1H, R0H     ; R1H = I16TOF32 (R0H)
MOVIZ  R2H, #0x0000    ; R2H[31:16] = 0.0 (0x0000)
                        ; <--I16TOF32 complete, R1H = 4.0 (0x40800000)
MOVXI  R2H, #0xFFFC    ; R2H[15:0] = -4.0 (0xFFFC)
I16TOF32 R3H, R2H     ; R3H = I16TOF32 (R2H)
NOP                    ; 1 Cycle delay for I16TOF32 to complete
                        ; <-- I16TOF32 complete, R3H = -4.0 (0xC0800000)

```

See also

[F32TOI16 RaH, RbH](#)
[F32TOI16R RaH, RbH](#)
[F32TOUI16 RaH, RbH](#)
[F32TOUI16R RaH, RbH](#)
[I16TOF32 RaH, mem16](#)
[UI16TOF32 RaH, mem16](#)
[UI16TOF32 RaH, RbH](#)

I16TOF32 RaH, mem16 *Convert 16-bit Integer to 32-bit Floating-Point Value*

Operands

RaH	floating-point destination register (R0H to R7H)
mem316	16-bit source memory location to be converted

Opcode

LSW: 1110 0010 1100 1000
MSW: 0000 0aaa mem16

Description

Convert the 16-bit signed integer indicated by the mem16 pointer to a 32-bit floating-point value and store the result in RaH.

RaH = I16ToF32[mem16]

Flags

This instruction does not affect any flags:

Flag	TF	ZI	NI	ZF	NF	LUF	LVF
Modified	No	No	No	No	No	No	No

Pipeline

This is a 2 pipeline cycle (2p) instruction. That is:

```

I16TOF32 RaH, mem16    ; 2 pipeline cycles (2p)
NOP                    ; 1 cycle delay or non-conflicting instruction
                        ; <-- I16TOF32 completes, RaH updated
NOP

```

Any instruction in the delay slot must not use RaH as a destination register or use RaH as a source operand.

Example

```

MOVW    DP, #0x0280    ; DP = 0x0280
MOV     @0, #0x0004    ; [0x00A000] = 4.0 (0x0004)
I16TOF32 R0H, @0      ; R0H = I16TOF32 [0x00A000]
MOV     @1, #0xFFFC    ; [0x00A001] = -4.0 (0xFFFC)
                        ; <--I16TOF32 complete, R0H = 4.0 (0x40800000)
I16TOF32 R1H, @1      ; R1H = I16TOF32 [0x00A001]
NOP                    ; 1 Cycle delay for I16TOF32 to complete
                        ; <-- I16TOF32 complete, R1H = -4.0 (0xC0800000)

```

See also

[F32TOI16 RaH, RbH](#)
[F32TOI16R RaH, RbH](#)
[F32TOUI16 RaH, RbH](#)
[F32TOUI16R RaH, RbH](#)
[I16TOF32 RaH, RbH](#)
[UI16TOF32 RaH, mem16](#)
[UI16TOF32 RaH, RbH](#)

I32TOF32 RaH, mem32 *Convert 32-bit Integer to 32-bit Floating-Point Value*

Operands

RaH	floating-point destination register (R0H to R7H)
mem32	32-bit source for the MOV32 operation. mem32 means that the operation can only address memory using any of the direct or indirect addressing modes supported by the C28x CPU

Opcode

```
LSW: 1110 0010 1000 1000
MSW: 0000 0aaa mem32
```

Description

Convert the 32-bit signed integer indicated by the mem32 pointer to a 32-bit floating point value and store the result in RaH.

```
RaH = I32ToF32[mem32]
```

Flags

This instruction does not affect any flags:

Flag	TF	ZI	NI	ZF	NF	LUF	LVF
Modified	No	No	No	No	No	No	No

Pipeline

This is a 2 pipeline cycle (2p) instruction. That is:

```
I32TOF32 RaH, mem32 ; 2 pipeline cycles (2p)
NOP                 ; 1 cycle delay or non-conflicting instruction
                    ; <-- I32TOF32 completes, RaH updated
NOP
```

Any instruction in the delay slot must not use RaH as a destination register or use RaH as a source operand.

Example

```
MOVW    DP, #0x0280 ; DP = 0x0280
MOV     @0, #0x1111 ; [0x00A000] = 4369 (0x1111)
MOV     @1, #0x1111 ; [0x00A001] = 4369 (0x1111)
                    ; Value of the 32 bit signed integer present in
                    ; 0x00A001 and 0x00A000 is +286331153
(0x11111111)
I32TOF32 R1H, @0   ; R1H = I32TOF32 (0x11111111)
NOP                ; 1 Cycle delay for I32TOF32 to complete
                    ; <--
I32TOF32 complete, R1H = 286331153 (0x4D888888)
```

See also

[F32TOI32 RaH, RbH](#)
[F32TOUI32 RaH, RbH](#)
[I32TOF32 RaH, RbH](#)
[UI32TOF32 RaH, RbH](#)
[UI32TOF32 RaH, mem32](#)

I32TOF32 RaH, RbH *Convert 32-bit Integer to 32-bit Floating-Point Value*

Operands

RaH	floating-point destination register (R0H to R7H)
RbH	floating-point source register (R0H to R7H)

Opcode
 LSW: 1110 0110 1000 1001
 MSW: 0000 0000 00bb baaa

Description
 Convert the signed 32-bit integer in RbH to a 32-bit floating-point value and store the result in RaH.

RaH = I32ToF32(RbH)

Flags
 This instruction does not affect any flags:

Flag	TF	ZI	NI	ZF	NF	LUF	LVF
Modified	No	No	No	No	No	No	No

Pipeline
 This is a 2 pipeline cycle (2p) instruction. That is:

```

I32TOF32 RaH, RbH      ; 2 pipeline cycles (2p)
NOP                    ; 1 cycle delay or non-conflicting instruction
                        ; <-- I32TOF32 completes, RaH updated
NOP
  
```

Any instruction in the delay slot must not use RaH as a destination register or use RaH as a source operand.

Example

```

MOVIZ  R2H, #0x1111    ; R2H[31:16] = 4369 (0x1111)
MOVXI  R2H, #0x1111    ; R2H[15:0] = 4369 (0x1111)
                        ; Value of the 32 bit signed integer present
                        ; in R2H is +286331153 (0x11111111)
I32TOF32 R3H, R2H     ; R3H = I32TOF32 (R2H)
NOP                    ; 1 Cycle delay for I32TOF32 to complete
                        ; <--
I32TOF32 complete, R3H = 286331153 (0x4D888888)
  
```

See also

[F32TOI32 RaH, RbH](#)
[F32TOUI32 RaH, RbH](#)
[I32TOF32 RaH, mem32](#)
[UI32TOF32 RaH, RbH](#)
[UI32TOF32 RaH, mem32](#)

MACF32 R3H, R2H, RdH, ReH, RfH 32-bit Floating-Point Multiply with Parallel Add

Operands This instruction is an alias for the parallel multiply and add instruction. The operands are translated by the assembler such that the instruction becomes:

```

MPYF32 RdH, RaH, RbH
||
ADDF32 R3H, R3H, R2H

```

R3H	floating-point destination and source register for the ADDF32
R2H	floating-point source register for the ADDF32 operation (R0H to R7H)
RdH	floating-point destination register for MPYF32 operation (R0H to R7H) RdH cannot be R3H
ReH	floating-point source register for MPYF32 operation (R0H to R7H)
RfH	floating-point source register for MPYF32 operation (R0H to R7H)

Opcode LSW: 1110 0111 0100 00ff
MSW: feee dddc cbbb baaa

Description This instruction is an alias for the parallel multiply and add, MACF32 || ADDF32, instruction.

RdH = ReH * RfH
R3H = R3H + R2H

Restrictions The destination register for the MPYF32 and the ADDF32 must be unique. That is, RdH cannot be R3H.

Flags This instruction modifies the following flags in the STF register:.

Flag	TF	ZI	NI	ZF	NF	LUF	LVF
Modified	No	No	No	No	No	Yes	Yes

The STF register flags are modified as follows:

- LUF = 1 if MPYF32 or ADDF32 generates an underflow condition.
- LVF = 1 if MPYF32 or ADDF32 generates an overflow condition.

Pipeline Both MPYF32 and ADDF32 take 2 pipeline cycles (2p) That is:

```

MPYF32 RaH, RbH, RcH ; 2 pipeline cycles (2p)
||
ADDF32 RdH, ReH, RfH ; 2 pipeline cycles (2p)
NOP ; 1 cycle delay or non-conflicting instruction
; <-- MPYF32, ADDF32 complete, RaH, RdH updated
NOP

```

Any instruction in the delay slot must not use RaH or RdH as a destination register or as a source operand.

Example

```

; Perform 5 multiply and accumulate operations:
;
; 1st multiply: A = X0 * Y0
; 2nd multiply: B = X1 * Y1
; 3rd multiply: C = X2 * Y2
; 4th multiply: D = X3 * Y3
; 5th multiply: E = X3 * Y3
;
; Result = A + B + C + D + E

MOV32  R0H, *XAR4++          ; R0H = X0
MOV32  R1H, *XAR5++          ; R1H = Y0
MPYF32 R2H, R0H, R1H         ; R2H = A = X0 * Y0
||
MOV32  R0H, *XAR4++          ; In parallel R0H = X1
MOV32  R1H, *XAR5++          ; R1H = Y1
MPYF32 R3H, R0H, R1H         ; R3H = B = X1 * Y1
||
MOV32  R0H, *XAR4++          ; In parallel R0H = X2
MOV32  R1H, *XAR5++          ; R1H = Y2
MACF32 R3H, R2H, R2H, R0H, R1H ; R3H = A + B
||
MOV32  R0H, *XAR4++          ; R2H = C = X2 * Y2
MOV32  R1H, *XAR5++          ; R1H = Y3
MACF32 R3H, R2H, R2H, R0H, R1H ; R3H = (A + B) + C
||
MOV32  R0H, *XAR4            ; R2H = D = X3 * Y3
MOV32  R1H, *XAR5            ; R1H = Y4
MACF32 R3H, R2H, R2H, R0H, R1H ; In parallel R0H = X4
||
MOV32  R0H, *XAR4
MOV32  R1H, *XAR5            ; R1H = Y4

; The next MACF32 is an alias for
; MPYF32 || ADDF32
MPYF32 || ADDF32            ; R2H = E = X4 * Y4
MACF32 R3H, R2H, R2H, R0H, R1H ; in parallel R3H = (A + B + C) + D
NOP                               ; Wait for MPYF32 || ADDF32 to complete

ADDF32 R3H, R3H, R2H         ; R3H = (A + B + C + D) + E
NOP                               ; Wait for ADDF32 to complete
MOV32  @Result, R3H          ; Store the result

```

See also

[MACF32 R3H, R2H, RdH, ReH, RfH || MOV32 RaH, mem32](#)
[MACF32 R7H, R3H, mem32, *XAR7++](#)
[MACF32 R7H, R6H, RdH, ReH, RfH](#)
[MACF32 R7H, R6H, RdH, ReH, RfH || MOV32 RaH, mem32](#)
[MPYF32 RaH, RbH, Rch || ADDF32 RdH, ReH, RfH](#)

MACF32 R3H, R2H, RdH, ReH, RfH || MOV32 RaH, mem32 *32-bit Floating-Point Multiply and Accumulate with Parallel Move*

Operands

R3H	floating-point destination/source register R3H for the add operation
R2H	floating-point source register R2H for the add operation
RdH	floating-point destination register (R0H to R7H) for the multiply operation RdH cannot be the same register as RaH
ReH	floating-point source register (R0H to R7H) for the multiply operation
RfH	floating-point source register (R0H to R7H) for the multiply operation
RaH	floating-point destination register for the MOV32 operation (R0H to R7H). RaH cannot be R3H or the same register as RdH.
mem32	32-bit source for the MOV32 operation

Opcode LSW: 1110 0011 0011 fffe
MSW: eedd daaa mem32

Description Multiply and accumulate the contents of floating-point registers and move from register to memory. The destination register for the MOV32 cannot be the same as the destination registers for the MACF32.

R3H = R3H + R2H,
RdH = ReH * RfH,
RaH = [mem32]

Restrictions The destination registers for the MACF32 and the MOV32 must be unique. That is, RaH cannot be R3H and RaH cannot be the same register as RdH.

Flags This instruction modifies the following flags in the STF register:

Flag	TF	ZI	NI	ZF	NF	LUF	LVF
Modified	No	Yes	Yes	Yes	Yes	Yes	Yes

The STF register flags are modified as follows:

- LUF = 1 if MACF32 (add or multiply) generates an underflow condition.
- LVF = 1 if MACF32 (add or multiply) generates an overflow condition.

MOV32 sets the NF, ZF, NI and ZI flags as follows:

```
NF = RaH(31);
ZF = 0;
if(RaH(30:23) == 0) { ZF = 1; NF = 0; }
NI = RaH(31);
ZI = 0;
if(RaH(31:0) == 0) ZI = 1;
```

Pipeline The MACF32 takes 2 pipeline cycles (2p) and the MOV32 takes a single cycle. That is:

```
MACF32 R3H, R2H, RdH, ReH, RfH ; 2 pipeline cycles (2p)
|| MOV32 RaH, mem32 ; 1 cycle
; <-- MOV32 completes, RaH updated
NOP ; 1 cycle delay for MACF32
; <-- MACF32 completes, R3H, RdH updated
NOP
```

Any instruction in the delay slot for this version of MACF32 must not use R3H or RdH as a destination register or R3H or RdH as a source operand.

Example

```

; Perform 5 multiply and accumulate operations:
;
; 1ST multiply: A = X0 * Y0
; 2nd multiply: B = X1 * Y1
; 3rd multiply: C = X2 * Y2
; 4TH multiply: D = X3 * Y3
; 5th multiply: E = X3 * Y3
;
; Result = A + B + C + D + E
MOV32  R0H, *XAR4++          ; R0H = X0
MOV32  R1H, *XAR5++          ; R1H = Y0

                                ; R2H = A = X0 * Y0
                                ; In parallel R0H = X1
||  MPYF32 R2H, R0H, R1H
MOV32  R0H, *XAR4++
MOV32  R1H, *XAR5++          ; R1H = Y1

                                ; R3H = B = X1 * Y1
                                ; In parallel R0H = X2
||  MPYF32 R3H, R0H, R1H
MOV32  R0H, *XAR4++
MOV32  R1H, *XAR5++          ; R1H = Y2

                                ; R3H = A + B
                                ; R2H = C = X2 * Y2
                                ; In parallel R0H = X3
||  MACF32 R3H, R2H, R2H, R0H, R1H
MOV32  R0H, *XAR4++
MOV32  R1H, *XAR5++          ; R1H = Y3

                                ; R3H = (A + B) + C
                                ; R2H = D = X3 * Y3
                                ; In parallel R0H = X4
||  MACF32 R3H, R2H, R2H, R0H, R1H
MOV32  R0H, *XAR4
MOV32  R1H, *XAR5           ; R1H = Y4

                                ; R2H = E = X4 * Y4
                                ; in parallel R3H = (A + B + C) + D
||  MPYF32 R2H, R0H, R1H
ADDF32 R3H, R3H, R2H
NOP                                ; Wait for MPYF32 || ADDF32 to complete

ADDF32 R3H, R3H, R2H          ; R3H = (A + B + C + D) + E
NOP                                ; Wait for ADDF32 to complete
MOV32  @Result, R3H          ; Store the result

```

See also

[MACF32 R3H, R2H, RdH, ReH, RfH](#)
[MACF32 R7H, R3H, mem32, *XAR7++](#)
[MACF32 R7H, R6H, RdH, ReH, RfH](#)
[MACF32 R7H, R6H, RdH, ReH, RfH || MOV32 RaH, mem32](#)
[MPYF32 RaH, RbH, RcH || ADDF32 RdH, ReH, RfH](#)

MACF32 R7H, R3H, mem32, *XAR7++ 32-bit Floating-Point Multiply and Accumulate
Operands

R7H	floating-point destination register
R3H	floating-point destination register
mem32	pointer to a 32-bit source location
*XAR7++	Indirect program-memory addressing using auxiliary register XAR7, can access full 4M x 16 program space range (0x000000 to 0x3FFFFFF). XAR7 is post incremented.

Opcode

```
LSW: 1110 0010 0101 0000
MSW: 0001 1111 mem32
```

Description

Perform a multiply and accumulate operation. When used as a standalone operation, the MACF32 will perform a single multiply as shown below:

```
Cycle 1: R3H = R3H + R2H, R2H = [mem32] * [XAR7++]
```

This instruction is the only floating-point instruction that can be repeated using the single repeat instruction (RPT ||). When repeated, the destination of the accumulate will alternate between R3H and R7H on each cycle and R2H and R6H are used as temporary storage for each multiply.

```
Cycle 1: R3H = R3H + R2H, R2H = [mem32] * [XAR7++]
```

```
Cycle 2: R7H = R7H + R6H, R6H = [mem32] * [XAR7++]
```

```
Cycle 3: R3H = R3H + R2H, R2H = [mem32] * [XAR7++]
```

```
Cycle 4: R7H = R7H + R6H, R6H = [mem32] * [XAR7++]
```

```
etc...
```

Restrictions

R2H and R6H will be used as temporary storage by this instruction.

Flags

This instruction modifies the following flags in the STF register:

Flag	TF	ZI	NI	ZF	NF	LUF	LVF
Modified	No	No	No	No	No	Yes	Yes

The STF register flags are modified as follows:

- LUF = 1 if MACF32 generates an underflow condition.
- LVF = 1 if MACF32 generates an overflow condition.

Pipeline

When repeated the MACF32 takes 3 + N cycles where N is the number of times the instruction is repeated. When repeated, this instruction has the following pipeline restrictions:

```
<instruction1> ; No restriction
<instruction2> ; Cannot be a 2p instruction that writes
                ; to R2H, R3H, R6H or R7H
RPT    #(N-1)  ; Execute N times, where N is even
|| MACF32 R7H, R3H, *XAR6++, *XAR7++
<instruction3> ; No restrictions.
                ; Can read R2H, R3H, R6H and R7H
```

MACF32 can also be used standalone. In this case, the instruction takes 2 cycles and the following pipeline restrictions apply:

```
<instruction1>           ; No restriction
<instruction2>           ; Cannot be a 2p instruction that writes
                          ; to R2H, R3H, R6H or R7H
MACF32 R7H, R3H, *XAR6, *XAR7++ ; R3H = R3H + R2H, R2H = [mem32] * [XAR7++]
                          ; <-- R2H and R3H are valid (note: no
                          ; delay required)
NOP
```

Example

```
ZERO R2H           ; Zero the accumulation registers
ZERO R3H           ; and temporary multiply storage
registers
ZERO R6H
ZERO R7H
RPT #3             ; Repeat MACF32 N+1 (4) times
|| MACF32 R7H, R3H, *XAR6++, *XAR7++
ADDF32 R7H, R7H, R3H ; Final accumulate
NOP
NOP               ; <-- ADDF32 completes, R7H valid
```

Cascading of RPT || MACF32 is allowed as long as the first and subsequent counts are even. Cascading is useful for creating interruptible windows so that interrupts are not delayed too long by the RPT instruction. For example:

```
ZERO R2H           ; Zero the accumulation registers
ZERO R3H           ; and temporary multiply storage
registers
ZERO R6H
ZERO R7H
RPT #3             ; Execute MACF32 N+1 (4) times
|| MACF32 R7H, R3H, *XAR6++, *XAR7++
RPT #5             ; Execute MACF32 N+1 (6) times
|| MACF32 R7H, R3H, *XAR6++, *XAR7++
RPT #N             ; Repeat MACF32 N+1 times where N+1 is
even
|| MACF32 R7H, R3H, *XAR6++, *XAR7++
ADDF32 R7H, R7H, R3H ; Final accumulate
NOP               ; <-- ADDF32 completes, R7H valid
```

See also

[MACF32 R3H, R2H, RdH, ReH, RfH || MOV32 RaH, mem32](#)
[MACF32 R7H, R6H, RdH, ReH, RfH || MOV32 RaH, mem32](#)
[MPYF32 RaH, RbH, RcH || ADDF32 RdH, ReH, RfH](#)

MACF32 R7H, R6H, RdH, ReH, RfH 32-bit Floating-Point Multiply with Parallel Add

Operands This instruction is an alias for the parallel multiply and add instruction. The operands are translated by the assembler such that the instruction becomes:

```

MPYF32 RdH, RaH, RbH
||
ADDF32 R7H, R7H, R6H

```

R7H	floating-point destination and source register for the ADDF32
R6H	floating-point source register for the ADDF32 operation (R0H to R7H)
RdH	floating-point destination register for MPYF32 operation (R0H to R7H) RdH cannot be R3H
ReH	floating-point source register for MPYF32 operation (R0H to R7H)
RfH	floating-point source register for MPYF32 operation (R0H to R7H)

Opcode LSW: 1110 0111 0100 00ff
MSW: feee dddc cbbb baaa

Description This instruction is an alias for the parallel multiply and add, MACF32 || ADDF32, instruction.

RdH = RaH * RbH
R7H = R6H + R6H

Restrictions The destination register for the MPYF32 and the ADDF32 must be unique. That is, RdH cannot be R7H.

Flags This instruction modifies the following flags in the STF register:.

Flag	TF	ZI	NI	ZF	NF	LUF	LVF
Modified	No	No	No	No	No	Yes	Yes

The STF register flags are modified as follows:

- LUF = 1 if MPYF32 or ADDF32 generates an underflow condition.
- LVF = 1 if MPYF32 or ADDF32 generates an overflow condition.

Pipeline Both MPYF32 and ADDF32 take 2 pipeline cycles (2p) That is:

```

MPYF32 RaH, RbH, RcH ; 2 pipeline cycles (2p)
||
ADDF32 RdH, ReH, RfH ; 2 pipeline cycles (2p)
NOP ; 1 cycle delay or non-conflicting instruction
; <-- MPYF32, ADDF32 complete, RaH, RdH updated
NOP

```

Any instruction in the delay slot must not use RaH or RdH as a destination register or as a source operand.

Example

```

; Perform 5 multiply and accumulate operations:
;
; 1st multiply: A = X0 * Y0
; 2nd multiply: B = X1 * Y1
; 3rd multiply: C = X2 * Y2
; 4th multiply: D = X3 * Y3
; 5th multiply: E = X3 * Y3
;
; Result = A + B + C + D + E

MOV32  R0H, *XAR4++          ; R0H = X0
MOV32  R1H, *XAR5++          ; R1H = Y0
MPYF32 R6H, R0H, R1H         ; R6H = A = X0 * Y0
||
MOV32  R0H, *XAR4++          ; In parallel R0H = X1
MOV32  R1H, *XAR5++          ; R1H = Y1
MPYF32 R7H, R0H, R1H         ; R7H = B = X1 * Y1
||
MOV32  R0H, *XAR4++          ; In parallel R0H = X2
MOV32  R1H, *XAR5++          ; R1H = Y2
MACF32 R7H, R6H, R6H, R0H, R1H ; R7H = A + B
||
MOV32  R0H, *XAR4++          ; R6H = C = X2 * Y2
MOV32  R1H, *XAR5++          ; R1H = Y3
MACF32 R7H, R6H, R6H, R0H, R1H ; R7H = (A + B) + C
||
MOV32  R0H, *XAR4            ; R6H = D = X3 * Y3
MOV32  R1H, *XAR5            ; R1H = Y4
MACF32 R7H, R6H, R6H, R0H, R1H ; In parallel R0H = X4
||
MOV32  R0H, *XAR4
MOV32  R1H, *XAR5            ; R1H = Y4

; Next MACF32 is an alias for
; MPYF32 || ADDF32

MACF32 R7H, R6H, R6H, R0H, R1H ; R6H = E = X4 * Y4
||
NOP                                         ; in parallel R7H = (A + B + C) + D
ADDF32 R7H, R7H, R6H                     ; Wait for MPYF32 || ADDF32 to complete
NOP                                         ; R7H = (A + B + C + D) + E
MOV32  @Result, R7H                       ; Wait for ADDF32 to complete
; Store the result

```

See also

[MACF32 R3H, R2H, RdH, ReH, RfH](#)
[MACF32 R3H, R2H, RdH, ReH, RfH || MOV32 RaH, mem32](#)
[MACF32 R7H, R3H, mem32, *XAR7++](#)
[MACF32 R7H, R6H, RdH, ReH, RfH || MOV32 RaH, mem32](#)
[MPYF32 RaH, RbH, Rch || ADDF32 RdH, ReH, RfH](#)

MACF32 R7H, R6H, RdH, ReH, RfH || MOV32 RaH, mem32 32-bit Floating-Point Multiply and Accumulate with Parallel Move

Operands

R7H	floating-point destination/source register R7H for the add operation
R6H	floating-point source register R6H for the add operation
RdH	floating-point destination register (R0H to R7H) for the multiply operation. RdH cannot be the same register as RaH.
ReH	floating-point source register (R0H to R7H) for the multiply operation
RfH	floating-point source register (R0H to R7H) for the multiply operation
RaH	floating-point destination register for the MOV32 operation (R0H to R7H). RaH cannot be R3H or the same as RdH.
mem32	32-bit source for the MOV32 operation

Opcode

```
LSW: 1110 0011 1100 fffe
MSW: eedd daaa mem32
```

Description

Multiply/accumulate the contents of floating-point registers and move from register to memory. The destination register for the MOV32 cannot be the same as the destination registers for the MACF32.

```
R7H = R7H + R6H
RdH = ReH * RfH,
RaH = [mem32]
```

Restrictions

The destination registers for the MACF32 and the MOV32 must be unique. That is, RaH cannot be R7H and RaH cannot be the same register as RdH.

Flags

This instruction modifies the following flags in the STF register:

Flag	TF	ZI	NI	ZF	NF	LUF	LVF
Modified	No	Yes	Yes	Yes	Yes	Yes	Yes

The STF register flags are modified as follows:

- LUF = 1 if MACF32 (add or multiply) generates an underflow condition.
- LVF = 1 if MACF32 (add or multiply) generates an overflow condition.

The MOV32 Instruction will set the NF, ZF, NI and ZI flags as follows:

```
NF = RaH(31);
ZF = 0;
if(RaH(30:23) == 0) {ZF = 1; NF = 0;}
NI = RaH(31);
ZI = 0;
if(RaH(31:0) == 0) ZI = 1;
```

Pipeline

The MACF32 takes 2 pipeline cycles (2p) and the MOV32 takes a single cycle. That is:

```
MACF32 R7H, R6H, RdH, ReH, RfH ; 2 pipeline cycles (2p)
|| MOV32 RaH, mem32 ; 1 cycle
; <-- MOV32 completes, RaH updated
NOP ; 1 cycle delay
; <-- MACF32 completes, R7H, RdH updated
NOP
```

Example

```

; Perform 5 multiply and accumulate operations:
;
; 1st multiply: A = X0 * Y0
; 2nd multiply: B = X1 * Y1
; 3rd multiply: C = X2 * Y2
; 4th multiply: D = X3 * Y3
; 5th multiply: E = X3 * Y3
;
; Result = A + B + C + D + E

MOV32  R0H, *XAR4++          ; R0H = X0
MOV32  R1H, *XAR5++          ; R1H = Y0

MPYF32 R6H, R0H, R1H         ; R6H = A = X0 * Y0
|| MOV32 R0H, *XAR4++         ; In parallel R0H = X1
MOV32  R1H, *XAR5++          ; R1H = Y1
MPYF32 R7H, R0H, R1H         ; R7H = B = X1 * Y1
|| MOV32 R0H, *XAR4++         ; In parallel R0H = X2
MOV32  R1H, *XAR5++          ; R1H = Y2
MACF32 R7H, R6H, R6H, R0H, R1H ; R7H = A + B
|| MOV32 R0H, *XAR4++         ; R6H = C = X2 * Y2
MOV32  R1H, *XAR5++          ; In parallel R0H = X3
MACF32 R7H, R6H, R6H, R0H, R1H ; R7H = (A + B) + C
|| MOV32 R0H, *XAR4           ; R6H = D = X3 * Y3
MOV32  R1H, *XAR5           ; In parallel R0H = X4
MACF32 R7H, R6H, R6H, R0H, R1H ; R7H = (A + B + C) + D
|| MOV32 R0H, *XAR4           ; R6H = E = X4 * Y4
MOV32  R1H, *XAR5           ; in parallel R7H = (A + B + C) + D
NOP                                ; Wait for MPYF32 || ADDF32 to complete
ADDF32 R7H, R7H, R6H           ; R7H = (A + B + C + D) + E
NOP                                ; Wait for ADDF32 to complete
MOV32  @Result, R7H           ; Store the result

```

See also

[MACF32 R7H, R3H, mem32, *XAR7++](#)
[MACF32 R3H, R2H, RdH, ReH, RfH || MOV32 RaH, mem32](#)
[MPYF32 RaH, RbH, RcH || ADDF32 RdH, ReH, RfH](#)

MAXF32 RaH, RbH *32-bit Floating-Point Maximum*
Operands

RaH	floating-point source/destination register (R0H to R7H)
RbH	floating-point source register (R0H to R7H)

Opcode

```
LSW: 1110 0110 1001 0110
MSW: 0000 0000 00bb baaa
```

Description

```
if(RaH < RbH) RaH = RbH
```

Special cases for the output from the MAXF32 operation:

- NaN output will be converted to infinity
- A denormalized output will be converted to positive zero.

Flags

This instruction modifies the following flags in the STF register:

Flag	TF	ZI	NI	ZF	NF	LUF	LVF
Modified	No	No	No	Yes	Yes	No	No

The ZF and NF flags are configured on the result of the operation, not the result stored in the destination register.

```
if(RaH == RbH) {ZF=1, NF=0}
if(RaH > RbH) {ZF=0, NF=0}
if(RaH < RbH) {ZF=0, NF=1}
```

Pipeline

This is a single-cycle instruction.

Example

```
MOVIZF32 R0H, #5.0      ; R0H = 5.0 (0x40A00000)
MOVIZF32 R1H, #-2.0     ; R1H = -2.0 (0xC0000000)
MOVIZF32 R2H, #-1.5     ; R2H = -1.5 (0xBF000000)
MAXF32   R2H, R1H       ; R2H = -1.5, ZF = NF = 0
MAXF32   R1H, R2H       ; R1H = -1.5, ZF = 0, NF = 1
MAXF32   R2H, R0H       ; R2H = 5.0, ZF = 0, NF = 1
MAXF32   R0H, R2H       ; R2H = 5.0, ZF = 1, NF = 0
```

See also

[CMPF32 RaH, RbH](#)
[CMPF32 RaH, #16FHi](#)
[CMPF32 RaH, #0.0](#)
[MAXF32 RaH, RbH || MOV32 Rch, RdH](#)
[MAXF32 RaH, #16FHi](#)
[MINF32 RaH, RbH](#)
[MINF32 RaH, #16FHi](#)

MAXF32 RaH, #16FHi 32-bit Floating-Point Maximum

Operands

RaH	floating-point source/destination register (R0H to R7H)
#16FHi	A 16-bit immediate value that represents the upper 16-bits of an IEEE 32-bit floating-point value. The low 16-bits of the mantissa are assumed to be all 0.

Opcode

```
LSW: 1110 1000 0010 0III
MSW: IIII IIII IIII Iaaa
```

Description

Compare RaH with the floating-point value represented by the immediate operand. If the immediate value is larger, then load it into RaH.

```
if(RaH < #16FHi:0) RaH = #16FHi:0
```

#16FHi is a 16-bit immediate value that represents the upper 16-bits of an IEEE 32-bit floating-point value. The low 16-bits of the mantissa are assumed to be all 0. This addressing mode is most useful for constants where the lowest 16-bits of the mantissa are 0. Some examples are 2.0 (0x40000000), 4.0 (0x40800000), 0.5 (0x3F000000), and -1.5 (0xBF000000). The assembler will accept either a hex or float as the immediate value. That is, -1.5 can be represented as #-1.5 or #0xBF000000.

Special cases for the output from the MAXF32 operation:

- NaN output will be converted to infinity
- A denormalized output will be converted to positive zero.

Flags

This instruction modifies the following flags in the STF register:

Flag	TF	ZI	NI	ZF	NF	LUF	LVF
Modified	No	No	No	Yes	Yes	No	No

The ZF and NF flags are configured on the result of the operation, not the result stored in the destination register.

```
if(RaH == #16FHi:0) {ZF=1, NF=0}
if(RaH > #16FHi:0) {ZF=0, NF=0}
if(RaH < #16FHi:0) {ZF=0, NF=1}
```

Pipeline

This is a single-cycle instruction.

Example

```
MOVIZF32 R0H, #5.0      ; R0H = 5.0 (0x40A00000)
MOVIZF32 R1H, #4.0      ; R1H = 4.0 (0x40800000)
MOVIZF32 R2H, #-1.5     ; R2H = -1.5 (0xBF000000)
MAXF32 R0H, #5.5        ; R0H = 5.5, ZF = 0, NF = 1
MAXF32 R1H, #2.5        ; R1H = 4.0, ZF = 0, NF = 0
MAXF32 R2H, #-1.0       ; R2H = -1.0, ZF = 0, NF = 1
MAXF32 R2H, #-1.0       ; R2H = -1.5, ZF = 1, NF = 0
```

See also

[MAXF32 RaH, RbH](#)
[MAXF32 RaH, RbH || MOV32 RcH, RdH](#)
[MINF32 RaH, RbH](#)
[MINF32 RaH, #16FHi](#)

MAXF32 RaH, RbH || MOV32 RcH, RdH 32-bit Floating-Point Maximum with Parallel Move
Operands

RaH	floating-point source/destination register for the MAXF32 operation (R0H to R7H) RaH cannot be the same register as RcH
RbH	floating-point source register for the MAXF32 operation (R0H to R7H)
RcH	floating-point destination register for the MOV32 operation (R0H to R7H) RcH cannot be the same register as RaH
RdH	floating-point source register for the MOV32 operation (R0H to R7H)

Opcode

```
LSW: 1110 0110 1001 1100
MSW: 0000 dddc ccbb baaa
```

Description

If RaH is less than RbH, then load RaH with RbH. Thus RaH will always have the maximum value. If RaH is less than RbH, then, in parallel, also load RcH with the contents of RdH.

```
if(RaH < RbH) { RaH = RbH; RcH = RdH; }
```

The MAXF32 instruction is performed as a logical compare operation. This is possible because of the IEEE floating-point format offsets the exponent. Basically the bigger the binary number, the bigger the floating-point value.

Special cases for the output from the MAXF32 operation:

- NaN output will be converted to infinity
- A denormalized output will be converted to positive zero.

Restrictions

The destination register for the MAXF32 and the MOV32 must be unique. That is, RaH cannot be the same register as RcH.

Flags

This instruction modifies the following flags in the STF register:

Flag	TF	ZI	NI	ZF	NF	LUF	LVF
Modified	No	No	No	Yes	Yes	No	No

The ZF and NF flags are configured on the result of the operation, not the result stored in the destination register.

```
if(RaH == RbH) { ZF=1, NF=0 }
if(RaH > RbH) { ZF=0, NF=0 }
if(RaH < RbH) { ZF=0, NF=1 }
```

Pipeline

This is a single-cycle instruction.

Example

```
MOVIZF32 R0H, #5.0      ; R0H = 5.0 (0x40A00000)
MOVIZF32 R1H, #4.0      ; R1H = 4.0 (0x40800000)
MOVIZF32 R2H, #-1.5     ; R2H = -1.5 (0xBF000000)
MOVIZF32 R3H, #-2.0     ; R3H = -2.0 (0xC0000000)
MAXF32   R0H, R1H       ; R0H = 5.0, R3H = -1.5, ZF = 0, NF = 0
||
MOV32    R3H, R2H
MAXF32   R1H, R0H       ; R1H = 5.0, R3H = -1.5, ZF = 0, NF = 1
||
MOV32    R3H, R2H
MAXF32   R0H, R1H       ; R0H = 5.0, R2H = -1.5, ZF = 1, NF = 0
||
MOV32    R2H, R1H
```

See also

[MAXF32 RaH, RbH](#)
[MAXF32 RaH, #16FHi](#)

MINF32 RaH, RbH *32-bit Floating-Point Minimum*

Operands

RaH	floating-point source/destination register (R0H to R7H)
RbH	floating-point source register (R0H to R7H)

Opcode

LSW: 1110 0110 1001 0111
MSW: 0000 0000 00bb baaa

Description

if (RaH > RbH) RaH = RbH

Special cases for the output from the MINF32 operation:

- NaN output will be converted to infinity
- A denormalized output will be converted to positive zero.

Flags

This instruction modifies the following flags in the STF register:

Flag	TF	ZI	NI	ZF	NF	LUF	LVF
Modified	No	No	No	Yes	Yes	No	No

The ZF and NF flags are configured on the result of the operation, not the result stored in the destination register.

```
if (RaH == RbH) {ZF=1, NF=0}
if (RaH > RbH) {ZF=0, NF=0}
if (RaH < RbH) {ZF=0, NF=1}
```

Pipeline

This is a single-cycle instruction.

Example

```
MOVIZF32 R0H, #5.0      ; R0H = 5.0 (0x40A00000)
MOVIZF32 R1H, #4.0      ; R1H = 4.0 (0x40800000)
MOVIZF32 R2H, #-1.5     ; R2H = -1.5 (0xBF000000)
MINF32 R0H, R1H         ; R0H = 4.0, ZF = 0, NF = 0
MINF32 R1H, R2H         ; R1H = -1.5, ZF = 0, NF = 0
MINF32 R2H, R1H         ; R2H = -1.5, ZF = 1, NF = 0
MINF32 R1H, R0H         ; R2H = -1.5, ZF = 0, NF = 1
```

See also

[MAXF32 RaH, RbH](#)
[MAXF32 RaH, #16FHi](#)
[MINF32 RaH, #16FHi](#)
[MINF32 RaH, RbH || MOV32 RcH, RdH](#)

MINF32 RaH, #16FHi *32-bit Floating-Point Minimum*
Operands

RaH	floating-point source/destination register (R0H to R7H)
#16FHi	A 16-bit immediate value that represents the upper 16-bits of an IEEE 32-bit floating-point value. The low 16-bits of the mantissa are assumed to be all 0.

Opcode

```
LSW: 1110 1000 0011 0III
MSW: IIII IIII IIII Iaaa
```

Description

Compare RaH with the floating-point value represented by the immediate operand. If the immediate value is smaller, then load it into RaH.

```
if(RaH > #16FHi:0) RaH = #16FHi:0
```

#16FHi is a 16-bit immediate value that represents the upper 16-bits of an IEEE 32-bit floating-point value. The low 16-bits of the mantissa are assumed to be all 0. This addressing mode is most useful for constants where the lowest 16-bits of the mantissa are 0. Some examples are 2.0 (0x40000000), 4.0 (0x40800000), 0.5 (0x3F000000), and -1.5 (0xBF000000). The assembler will accept either a hex or float as the immediate value. That is, -1.5 can be represented as #-1.5 or #0xBF000000.

Special cases for the output from the MINF32 operation:

- NaN output will be converted to infinity
- A denormalized output will be converted to positive zero.

Flags

This instruction modifies the following flags in the STF register:

Flag	TF	ZI	NI	ZF	NF	LUF	LVF
Modified	No	No	No	Yes	Yes	No	No

The ZF and NF flags are configured on the result of the operation, not the result stored in the destination register.

```
if(RaH == #16FHi:0) {ZF=1, NF=0}
if(RaH > #16FHi:0) {ZF=0, NF=0}
if(RaH < #16FHi:0) {ZF=0, NF=1}
```

Pipeline

This is a single-cycle instruction.

Example

```
MOVIZF32 R0H, #5.0      ; R0H = 5.0 (0x40A00000)
MOVIZF32 R1H, #4.0      ; R1H = 4.0 (0x40800000)
MOVIZF32 R2H, #-1.5     ; R2H = -1.5 (0xBF000000)
MINF32 R0H, #5.5        ; R0H = 5.0, ZF = 0, NF = 1
MINF32 R1H, #2.5        ; R1H = 2.5, ZF = 0, NF = 0
MINF32 R2H, #-1.0       ; R2H = -1.5, ZF = 0, NF = 1
MINF32 R2H, #-1.5       ; R2H = -1.5, ZF = 1, NF = 0
```

See also

[MAXF32 RaH, #16FHi](#)
[MAXF32 RaH, RbH](#)
[MINF32 RaH, RbH](#)
[MINF32 RaH, RbH || MOV32 RcH, RdH](#)

MINF32 RaH, RbH || MOV32 RcH, RdH 32-bit Floating-Point Minimum with Parallel Move

Operands

RaH	floating-point source/destination register for the MIN32 operation (R0H to R7H) RaH cannot be the same register as RcH
RbH	floating-point source register for the MIN32 operation (R0H to R7H)
RcH	floating-point destination register for the MOV32 operation (R0H to R7H) RcH cannot be the same register as RaH
RdH	floating-point source register for the MOV32 operation (R0H to R7H)

Opcode

```
LSW: 1110 0110 1001 1101
MSW: 0000 dddc ccbb baaa
```

Description

```
if(RaH > RbH) { RaH = RbH; RcH = RdH; }
```

Special cases for the output from the MINF32 operation:

- NaN output will be converted to infinity
- A denormalized output will be converted to positive zero.

Restrictions

The destination register for the MINF32 and the MOV32 must be unique. That is, RaH cannot be the same register as RcH.

Flags

This instruction modifies the following flags in the STF register:

Flag	TF	ZI	NI	ZF	NF	LUF	LVF
Modified	No	No	No	Yes	Yes	No	No

The ZF and NF flags are configured on the result of the operation, not the result stored in the destination register.

```
if(RaH == RbH) {ZF=1, NF=0}
if(RaH > RbH) {ZF=0, NF=0}
if(RaH < RbH) {ZF=0, NF=1}
```

Pipeline

This is a single-cycle instruction.

Example

```
MOVIZF32 R0H, #5.0      ; R0H = 5.0 (0x40A00000)
MOVIZF32 R1H, #4.0      ; R1H = 4.0 (0x40800000)
MOVIZF32 R2H, #-1.5     ; R2H = -1.5 (0xBFC00000)
MOVIZF32 R3H, #-2.0     ; R3H = -2.0 (0xC0000000)
MINF32 R0H, R1H         ; R0H = 4.0, R3H = -1.5, ZF = 0, NF = 0
|| MOV32 R3H, R2H
MINF32 R1H, R0H         ; R1H = 4.0, R3H = -1.5, ZF = 1, NF = 0
|| MOV32 R3H, R2H
MINF32 R2H, R1H         ; R2H = -1.5, R1H = 4.0, ZF = 1, NF = 1
|| MOV32 R1H, R3H
```

See also

[MINF32 RaH, RbH](#)
[MINF32 RaH, #16FHi](#)

MOV16 mem16, RaH *Move 16-bit Floating-Point Register Contents to Memory*

Operands

mem16	points to the 16-bit destination memory
RaH	floating-point source register (R0H to R7H)

Opcode LSW: 1110 0010 0001 0011
 MSW: 0000 0aaa mem16

Description Move 16-bit value from the lower 16-bits of the floating-point register (RaH[15:0]) to the location pointed to by mem16.
 [mem16] = RaH[15:0]

Flags No flags STF flags are affected.

Flag	TF	ZI	NI	ZF	NF	LUF	LVF
Modified	No	No	No	No	No	No	No

Pipeline This is a single-cycle instruction.

Example

```

MOVW DP, #0x02C0      ; DP = 0x02C0
MOVXI R4H, #0x0003    ; R4H = 3.0 (0x0003)
MOV16 @0, R4H         ; [0x00B000] = 3.0 (0x0003)

```

See also [MOVIZ RaH, #16FHiHex](#)
 [MOVIZF32 RaH, #16FHi](#)
 [MOVXI RaH, #16FLoHex](#)

MOV32 *(0:16bitAddr), loc32 *Move the Contents of loc32 to Memory*

Operands

0:16bitAddr	16-bit immediate address, zero extended
loc32	32 bit source location

Opcode LSW: 1011 1101 loc32
MSW: IIII IIII IIII IIII

Description Move the 32-bit value in loc32 to the memory location addressed by 0:16bitAddr. The EALLOW bit in the ST1 register is ignored by this operation.

[0:16bitAddr] = [loc32]

Flags This instruction does not modify any STF register flags.

Flag	TF	ZI	NI	ZF	NF	LUF	LVF
Modified	No	No	No	No	No	No	No

Pipeline This is a two-cycle instruction.

Example

```

MOVIZ  R5H, #0x1234    ; R5H[31:16] = 0x1234
MOVXI  R5H, #0xABCD   ; R5H[15:0] = 0xABCD
NOP                               ; 1 Alignment Cycle
MOV32  ACC, R5H        ; ACC = 0x1234ABCD
MOV32  *(0xA000), @ACC ; [0x00A000] = ACC
NOP                               ; 1 Cycle delay for MOV32 to complete
                               ; <-- MOV32 *(0:16bitAddr), loc32 complete,
                               ; [0x00A000] = 0xABCD, [0x00A001] = 0x1234

```

See also [MOV32 mem32, RaH](#)
[MOV32 mem32, STF](#)
[MOV32 loc32, *\(0:16bitAddr\)](#)

MOV32 ACC, RaH *Move 32-bit Floating-Point Register Contents to ACC*

Operands

ACC	28x accumulator
RaH	floating-point source register (R0H to R7H)

Opcode LSW: 1011 1111 loc32
 MSW: IIII IIII IIII IIII

Description If the condition is true, then move the 32-bit value referenced by mem32 to the floating-point register indicated by RaH.
 ACC = RaH

Flags No STF flags are affected.

Flag	TF	ZI	NI	ZF	NF	LUF	LVF
Modified	No	No	No	No	No	No	No

Z and N flag in status register zero (ST0) of the 28x CPU are affected.

Pipeline While this is a single-cycle instruction, additional pipeline alignment is required when copying a floating-point register to a C28x register. If the move follows a single cycle floating point instruction, a single alignment cycle must be added. For example:

```

MINF32 R0H,R1H      ; Single-cycle instruction
NOP                ; 1 alignment cycle
MOV32  @ACC,R0H     ; Copy R0H to ACC
NOP                ; Any instruction

```

If the move follows a 2 pipeline-cycle floating point instruction, then two alignment cycles must be used. For example:

```

ADDF32 R2H, R1H, R0H ; 2 pipeline instruction (2p)
NOP                ; 1 cycle delay for ADDF32 to complete
                 ; <-- ADDF32 completes, R2H is valid
NOP                ; 1 alignment cycle
MOV32  ACC, R2H     ; copy R2H into ACC, takes 2 cycles
                 ; <-- MOV32 completes, ACC is valid
NOP                ; Any instruction

```

Example

```

MOVIZF32 R0H, #2.5   ; R0H = 2.5 = 0x40200000
F32TOUI32 R0H, R0H
NOP                ; Delay for conversion instruction
                 ; <-- Conversion complete, R0H valid
NOP                ; Alignment cycle
MOV32   P, R0H       ; P = 2 = 0x00000002

```

See also

[MOV32 P, RaH](#)
[MOV32 XARn, RaH](#)
[MOV32 XT, RaH](#)

MOV32 loc32, *(0:16bitAddr) *Move 32-bit Value from Memory to loc32*

Operands

loc32	destination location
0:16bitAddr	16-bit address of the 32-bit source value

Opcode LSW: 1011 1111 loc32
MSW: IIII IIII IIII IIII

Description Copy the 32-bit value referenced by 0:16bitAddr to the location indicated by loc32.
[loc32] = [0:16bitAddr]

Flags No STF flags are affected. If loc32 is the ACC register, then the Z and N flag in status register zero (ST0) of the 28x CPU are affected.

Flag	TF	ZI	NI	ZF	NF	LUF	LVF
Modified	No	No	No	No	No	No	No

Pipeline This is a 2 cycle instruction.

Example

```

MOVW    DP, #0x0300    ; DP = 0x0300
MOV     @0, #0xFFFF   ; [0x00C000] = 0xFFFF;
MOV     @1, #0x1111   ; [0x00C001] = 0x1111;
MOV32   @ACC, *(0xC000) ; AL = [0x00C000], AH = [0x00C001]
NOP                                           ; 1 Cycle delay for MOV32 to complete
                                           ; <-- MOV32 complete, AL = 0xFFFF, AH = 0x1111

```

See also [MOV32 RaH, mem32{, CNDF}](#)
[MOV32 *\(0:16bitAddr\), loc32](#)
[MOV32 STF, mem32](#)
[MOVD32 RaH, mem32](#)

MOV32 mem32, RaH *Move 32-bit Floating-Point Register Contents to Memory*
Operands

RaH	floating-point register (R0H to R7H)
mem32	points to the 32-bit destination memory

Opcode LSW: 1110 0010 0000 0011
MSW: 0000 0aaa mem32

Description Move from memory to STF.
[mem32] = RaH

Flags This instruction modifies the following flags in the STF register:

Flag	TF	ZI	NI	ZF	NF	LUF	LVF
Modified	No	No	No	No	No	No	No

No flags affected.

Pipeline This is a single-cycle instruction.

Example

```

; Perform 5 multiply and accumulate operations:
;
; 1st multiply: A = X0 * Y0
; 2nd multiply: B = X1 * Y1
; 3rd multiply: C = X2 * Y2
; 4th multiply: D = X3 * Y3
; 5th multiply: E = X3 * Y3
;
; Result = A + B + C + D + E

MOV32  R0H, *XAR4++      ; R0H = X0
MOV32  R1H, *XAR5++      ; R1H = Y0

MPYF32 R6H, R0H, R1H     ; R6H = A = X0 * Y0
; In parallel R0H = X1
|| MOV32 R0H, *XAR4++
MOV32  R1H, *XAR5++      ; R1H = Y1

MPYF32 R7H, R0H, R1H     ; R7H = B = X1 * Y1
; In parallel R0H = X2
|| MOV32 R0H, *XAR4++
MOV32  R1H, *XAR5++      ; R1H = Y2

MACF32 R7H, R6H, R6H, R0H, R1H ; R7H = A + B
; R6H = C = X2 * Y2
; In parallel R0H = X3
|| MOV32 R0H, *XAR4++
MOV32  R1H, *XAR5++      ; R1H = Y3

MACF32 R7H, R6H, R6H, R0H, R1H ; R3H = (A + B) + C
; R6H = D = X3 * Y3
; In parallel R0H = X4
|| MOV32 R0H, *XAR4
MOV32  R1H, *XAR5        ; R1H = Y4

MPYF32 R6H, R0H, R1H     ; R6H = E = X4 * Y4
; in parallel R7H = (A + B + C) + D
|| ADDF32 R7H, R7H, R2H
NOP                       ; Wait for MPYF32 || ADDF32 to complete

```

```
ADDF32 R7H, R7H, R6H      ; R7H = (A + B + C + D) + E
NOP                               ; Wait for ADDF32 to complete
MOV32  @Result, R7H        ; Store the result
```

See also

[MOV32 *\(0:16bitAddr\), loc32](#)
[MOV32 mem32, STF](#)

MOV32 mem32, STF *Move 32-bit STF Register to Memory*
Operands

STF	floating-point status register
mem32	points to the 32-bit destination memory

Opcode LSW: 1110 0010 0000 0000
MSW: 0000 0000 mem32

Description Copy the floating-point status register, STF, to memory.
[mem32] = STF

Flags This instruction modifies the following flags in the STF register:

Flag	TF	ZI	NI	ZF	NF	LUF	LVF
Modified	No	No	No	No	No	No	No

No flags affected.

Pipeline This is a single-cycle instruction.

Example 1

```

MOVW DP, #0x0280      ; DP = 0x0280
MOVIZF32 R0H, #2.0    ; R0H = 2.0 (0x40000000)
MOVIZF32 R1H, #3.0    ; R1H = 3.0 (0x40400000)
CMPF32 R0H, R1H      ; ZF = 0, NF = 1, STF = 0x00000004
MOV32 @0, STF        ; [0x00A000] = 0x00000004

```

Example 2

```

MOV32 *SP++, STF      ; Store STF in stack
MOVF32 R2H, #3.0      ; R2H = 3.0 (0x40400000)
MOVF32 R3H, #5.0      ; R3H = 5.0 (0x40A00000)
CMPF32 R2H, R3H      ; ZF = 0, NF = 1, STF = 0x00000004
MOV32 R3H, R2H, LT    ; R3H = 3.0 (0x40400000)
MOV32 STF, *--SP     ; Restore STF from stack

```

See also [MOV32 mem32, RaH](#)
[MOV32 *\(0:16bitAddr\), loc32](#)
[MOVST0 FLAG](#)

MOV32 P, RaH *Move 32-bit Floating-Point Register Contents to P*

Operands

P	28x product register P
RaH	floating-point source register (R0H to R7H)

Opcode LSW: 1011 1111 loc32
MSW: IIII IIII IIII IIII

Description Move the 32-bit value in RaH to the 28x product register P.
P = RaH

Flags No flags affected in floating-point unit.

Flag	TF	ZI	NI	ZF	NF	LUF	LVF
Modified	No	No	No	No	No	No	No

Pipeline While this is a single-cycle instruction, additional pipeline alignment is required when copying a floating-point register to a C28x register. If the move follows a single cycle floating point instruction, a single alignment cycle must be added. For example:

```

MINF32 R0H,R1H      ; Single-cycle instruction
NOP                 ; 1 alignment cycle
MOV32  @ACC,R0H     ; Copy R0H to ACC
NOP                 ; Any instruction

```

If the move follows a 2 pipeline-cycle floating point instruction, then two alignment cycles must be used. For example:

```

ADDF32 R2H, R1H, R0H ; 2 pipeline instruction (2p)
NOP                 ; 1 cycle delay for ADDF32 to complete
                    ; <-- ADDF32 completes, R2H is valid
NOP                 ; 1 alignment cycle
MOV32  ACC, R2H     ; copy R2H into ACC, takes 1 cycle
                    ; <-- MOV32 completes, ACC is valid
NOP                 ; Any instruction

```

Example

```

MOVIZF32 R0H, #2.5   ; R0H = 2.5 = 0x40200000
F32TOUI32 R0H, R0H
NOP                 ; Delay for conversion instruction
                    ; <-- Conversion complete, R0H valid
NOP                 ; Alignment cycle
MOV32  P, R0H        ; P = 2 = 0x00000002

```

See also

[MOV32 ACC, RaH](#)
[MOV32 XARn, RaH](#)
[MOV32 XT, RaH](#)

MOV32 RaH, ACC *Move the Contents of ACC to a 32-bit Floating-Point Register*

Operands

RaH	floating-point destination register (R0H to R7H)
ACC	accumulator

Opcode LSW: 1011 1101 10c32
 MSW: IIII IIII IIII IIII

Description Move the 32-bit value in ACC to the floating-point register RaH.
 RaH = ACC

Flags This instruction does not modify any STF register flags.

Flag	TF	ZI	NI	ZF	NF	LUF	LVF
Modified	No	No	No	No	No	No	No

Pipeline While this is a single-cycle instruction, additional pipeline alignment is required. Four alignment cycles are required after any copy from a standard 28x CPU register to a floating-point register. The four alignment cycles can be filled with any non-conflicting instructions except for the following: FRACF32, UI16TOF32, I16TOF32, F32TOUI32, and F32TOI32.

```

MOV32  R0H,@ACC      ; Copy ACC to R0H
NOP                    ; Wait 4 cycles
NOP                    ; Do not use FRACF32, UI16TOF32
NOP                    ; I16TOF32, F32TOUI32 or F32TOI32
NOP                    ;
NOP                    ; <-- R0H is valid

```

Example

```

MOV     AH, #0x0000
MOV     AL, #0x0200  ; ACC = 512
MOV32  R0H, ACC
NOP
NOP
NOP
NOP
UI32TOF32 R0H, R0H  ; R0H = 512.0 (0x44000000)

```

See also [MOV32 RaH, P](#)
 [MOV32 RaH, XARn](#)
 [MOV32 RaH, XT](#)

MOV32 RaH, mem32 {, CNDF} *Conditional 32-bit Move*

Operands

RaH	floating-point destination register (R0H to R7H)
mem32	pointer to the 32-bit source memory location
CNDF	optional condition.

Opcode

LSW: 1110 0010 1010 CNDF
MSW: 0000 0aaa mem32

Description

If the condition is true, then move the 32-bit value referenced by mem32 to the floating-point register indicated by RaH.

```
if (CNDF == TRUE) RaH = [mem32]
```

CNDF is one of the following conditions:

Encode ⁽¹⁾	CNDF	Description	STF Flags Tested
0000	NEQ	Not equal to zero	ZF == 0
0001	EQ	Equal to zero	ZF == 1
0010	GT	Greater than zero	ZF == 0 AND NF == 0
0011	GEQ	Greater than or equal to zero	NF == 0
0100	LT	Less than zero	NF == 1
0101	LEQ	Less than or equal to zero	ZF == 1 AND NF == 1
1010	TF	Test flag set	TF == 1
1011	NTF	Test flag not set	TF == 0
1100	LU	Latched underflow	LUF == 1
1101	LV	Latched overflow	LVF == 1
1110	UNC	Unconditional	None
1111	UNCF ⁽²⁾	Unconditional with flag modification	None

⁽¹⁾ Values not shown are reserved.

⁽²⁾ This is the default operation if no CNDF field is specified. This condition will allow the ZF, NF, ZI, and NI flags to be modified when a conditional operation is executed. All other conditions will not modify these flags.

Flags

This instruction modifies the following flags in the STF register:

Flag	TF	ZI	NI	ZF	NF	LUF	LVF
Modified	No	Yes	Yes	Yes	Yes	No	No

```
if(CNDF == UNCF)
{
    NF = RaH(31);
    ZF = 0;
    if(RaH[30:23] == 0) { ZF = 1; NF = 0; }
    NI = RaH[31];
    ZI = 0;
    if(RaH[31:0] == 0) ZI = 1;
}
else No flags modified;
```

Pipeline

This is a single-cycle instruction.

Example

```
MOVW    DP, #0x0300 ; DP = 0x0300
MOV     @0, #0x5555 ; [0x00C000] = 0x5555
MOV     @1, #0x5555 ; [0x00C001] = 0x5555
MOVIZF32 R3H, #7.0 ; R3H = 7.0 (0x40E00000)
MOVIZF32 R4H, #7.0 ; R4H = 7.0 (0x40E00000)
MAXF32  R3H, R4H ; ZF = 1, NF = 0
MOV32   R1H, @0, EQ ; R1H = 0x55555555
```

See also

[MOV32 RaH, RbH{, CNDF}](#)
[MOVD32 RaH, mem32](#)

MOV32 RaH, P *Move the Contents of P to a 32-bit Floating-Point Register*

Operands

RaH	floating-point register (R0H to R7H)
P	product register

Opcode LSW: 1011 1101 loc32
MSW: IIII IIII IIII IIII

Description Move the 32-bit value in the product register, P, to the floating-point register RaH.
RaH = P

Flags This instruction does not modify any STF register flags.

Flag	TF	ZI	NI	ZF	NF	LUF	LVF
Modified	No	No	No	No	No	No	No

Pipeline While this is a single-cycle instruction, additional pipeline alignment is required. Four alignment cycles are required after any copy from a standard 28x CPU register to a floating-point register. The four alignment cycles can be filled with any non-conflicting instructions except for the following: FRACF32, UI16TOF32, I16TOF32, F32TOUI32, and F32TOI32.

```
MOV32  R0H,@P      ; Copy P to R0H
NOP      ; Wait 4 alignment cycles
NOP      ; Do not use FRACF32, UI16TOF32
NOP      ; I16TOF32, F32TOUI32 or F32TOI32
NOP      ;
NOP      ; <-- R0H is valid
NOP      ; Instruction can use R0H as a source
```

Example

```
MOV     PH, #0x0000
MOV     PL, #0x0200 ; P = 512
MOV32  R0H, P
NOP
NOP
NOP
NOP
UI32TOF32 R0H, R0H ; R0H = 512.0 (0x44000000)
```

See also [MOV32 RaH, ACC](#)
[MOV32 RaH, XARn](#)
[MOV32 RaH, XT](#)

MOV32 RaH, RbH {, CNDF} *Conditional 32-bit Move*
Operands

RaH	floating-point destination register (R0H to R7H)
RbH	floating-point source register (R0H to R7H)
CNDF	optional condition.

Opcode LSW: 1110 0110 1100 CNDF
MSW: 0000 0000 00bb baaa

Description If the condition is true, then move the 32-bit value referenced by mem32 to the floating-point register indicated by RaH.

```
if (CNDF == TRUE) RaH = RbH
```

CNDF is one of the following conditions:

Encode ⁽¹⁾	CNDF	Description	STF Flags Tested
0000	NEQ	Not equal to zero	ZF == 0
0001	EQ	Equal to zero	ZF == 1
0010	GT	Greater than zero	ZF == 0 AND NF == 0
0011	GEQ	Greater than or equal to zero	NF == 0
0100	LT	Less than zero	NF == 1
0101	LEQ	Less than or equal to zero	ZF == 1 AND NF == 1
1010	TF	Test flag set	TF == 1
1011	NTF	Test flag not set	TF == 0
1100	LU	Latched underflow	LUF == 1
1101	LV	Latched overflow	LVF == 1
1110	UNC	Unconditional	None
1111	UNCF ⁽²⁾	Unconditional with flag modification	None

⁽¹⁾ Values not shown are reserved.

⁽²⁾ This is the default operation if no CNDF field is specified. This condition will allow the ZF, NF, ZI, and NI flags to be modified when a conditional operation is executed. All other conditions will not modify these flags.

Flags This instruction modifies the following flags in the STF register:

Flag	TF	ZI	NI	ZF	NF	LUF	LVF
Modified	No	Yes	Yes	Yes	Yes	No	No

```
if(CNDF == UNCF)
{
    NF = RaH(31); ZF = 0;
    if(RaH[30:23] == 0) {ZF = 1; NF = 0;}
    NI = RaH(31); ZI = 0;
    if(RaH[31:0] == 0) ZI = 1;
}
else No flags modified;
```

Pipeline This is a single-cycle instruction.

Example

```
MOVIZF32 R3H, #8.0 ; R3H = 8.0 (0x41000000)
MOVIZF32 R4H, #7.0 ; R4H = 7.0 (0x40E00000)
MAXF32 R3H, R4H ; ZF = 0, NF = 0
MOV32 R1H, R3H, GT ; R1H = 8.0 (0x41000000)
```

See also

[MOV32 RaH, mem32{, CNDF}](#)

MOV32 RaH, XARn *Move the Contents of XARn to a 32-bit Floating-Point Register*

Operands

RaH	floating-point register (R0H to R7H)
XARn	auxiliary register (XAR0 - XAR7)

Opcode LSW: 1011 1101 loc32
MSW: IIII IIII IIII IIII

Description Move the 32-bit value in the auxiliary register XARn to the floating point register RaH.
RaH = XARn

Flags This instruction does not modify any STF register flags.

Flag	TF	ZI	NI	ZF	NF	LUF	LVF
Modified	No	No	No	No	No	No	No

Pipeline While this is a single-cycle instruction, additional pipeline alignment is required. Four alignment cycles are required after any copy from a standard 28x CPU register to a floating-point register. The four alignment cycles can be filled with any non-conflicting instructions except for the following: FRACF32, UI16TOF32, I16TOF32, F32TOUI32, and F32TOI32.

```
MOV32  R0H,@XAR7      ; Copy XAR7 to R0H
NOP      ; Wait 4 alignment cycles
NOP      ; Do not use FRACF32, UI16TOF32
NOP      ; I16TOF32, F32TOUI32 or F32TOI32
NOP      ;
ADD32  R2H,R1H,R0H    ; <-- R0H is valid
ADD32  R2H,R1H,R0H    ; Instruction can use R0H as a source
```

Example

```
MOVL   XAR1, #0x0200 ; XAR1 = 512
MOV32  R0H, XAR1
NOP
NOP
NOP
NOP
UI32TOF32 R0H, R0H    ; R0H = 512.0 (0x44000000)
```

See also [MOV32 RaH, ACC](#)
[MOV32 RaH, P](#)
[MOV32 RaH, XT](#)

MOV32 RaH, XT *Move the Contents of XT to a 32-bit Floating-Point Register*

Operands

RaH	floating-point register (R0H to R7H)
XT	auxiliary register (XAR0 - XAR7)

Opcode LSW: 1011 1101 loc32
MSW: IIII IIII IIII IIII

Description Move the 32-bit value in temporary register, XT, to the floating-point register RaH.
RaH = XT

Flags This instruction does not modify any STF register flags.

Flag	TF	ZI	NI	ZF	NF	LUF	LVF
Modified	No	No	No	No	No	No	No

Pipeline While this is a single-cycle instruction, additional pipeline alignment is required. Four alignment cycles are required after any copy from a standard 28x CPU register to a floating-point register. The four alignment cycles can be filled with any non-conflicting instructions except for the following: FRACF32, UI16TOF32, I16TOF32, F32TOUI32, and F32TOI32.

```
MOV32  R0H, XT      ; Copy XT to R0H
NOP    ; Wait 4 alignment cycles
NOP    ; Do not use FRACF32, UI16TOF32
NOP    ; I16TOF32, F32TOUI32 or F32TOI32
NOP    ;
; <-- R0H is valid
ADDF32 R2H,R1H,R0H ; Instruction can use R0H as a source
```

Example

```
MOVIZF32 R6H, #5.0 ; R6H = 5.0 (0x40A00000)
NOP    ; 1 Alignment cycle
MOV32  XT, R6H     ; XT = 5.0 (0x40A00000)
MOV32  R1H, XT     ; R1H = 5.0 (0x40A00000)
```

See also [MOV32 RaH, ACC](#)
[MOV32 RaH, P](#)
[MOV32 RaH, XARn](#)

MOV32 STF, mem32 *Move 32-bit Value from Memory to the STF Register*

Operands

STF	floating-point unit status register
mem32	pointer to the 32-bit source memory location

Opcode LSW: 1110 0010 1000 0000
MSW: 0000 0000 mem32

Description Move from memory to the floating-point unit's status register STF.
STF = [mem32]

Flags This instruction modifies the following flags in the STF register:

Flag	TF	ZI	NI	ZF	NF	LUF	LVF
Modified	Yes	Yes	Yes	Yes	Yes	Yes	Yes

Restoring status register will overwrite all flags.

Pipeline This is a single-cycle instruction.

Example 1

```

MOVW    DP, #0x0300    ; DP = 0x0300
MOV     @2, #0x020C    ; [0x00C002] = 0x020C
MOV     @3, #0x0000    ; [0x00C003] = 0x0000
MOV32   STF, @2        ; STF = 0x0000020C

```

Example 2

```

MOV32   *SP++, STF     ; Store STF in stack
MOV32   R2H, #3.0      ; R2H = 3.0 (0x40400000)
MOV32   R3H, #5.0      ; R3H = 5.0 (0x40A00000)
CMPF32  R2H, R3H       ; ZF = 0, NF = 1, STF = 0x00000004
MOV32   R3H, R2H, LT   ; R3H = 3.0 (0x40400000)
MOV32   STF, *--SP     ; Restore STF from stack

```

See also [MOV32 mem32, STF](#)
[MOVST0 FLAG](#)

MOV32 XARn, RaH *Move 32-bit Floating-Point Register Contents to XARn*

Operands

XARn	28x auxiliary register (XAR0 - XAR7)
RaH	floating-point source register (R0H to R7H)

Opcode LSW: 1011 1111 loc32
MSW: IIII IIII IIII IIII

Description Move the 32-bit value from the floating-point register RaH to the auxiliary register XARn.
XARn = RaH

Flags No flags affected in floating-point unit.

Flag	TF	ZI	NI	ZF	NF	LUF	LVF
Modified	No	No	No	No	No	No	No

Pipeline While this is a single-cycle instruction, additional pipeline alignment is required when copying a floating-point register to a C28x register. If the move follows a single cycle floating point instruction, a single alignment cycle must be added. For example:

```

MINF32 R0H,R1H      ; Single-cycle instruction
NOP                 ; 1 alignment cycle
MOV32  @ACC,R0H     ; Copy R0H to ACC
NOP                 ; Any instruction

```

If the move follows a 2 pipeline-cycle floating point instruction, then two alignment cycles must be used. For example:

```

ADDF32 R2H, R1H, R0H ; 2 pipeline instruction (2p)
NOP                 ; 1 cycle delay for ADDF32 to complete
                    ; <-- ADDF32 completes, R2H is valid
NOP                 ; 1 alignment cycle
MOV32  ACC, R2H     ; copy R2H into ACC, takes 1 cycle
                    ; <-- MOV32 completes, ACC is valid
NOP                 ; Any instruction

```

Example

```

MOVIZF32 R0H, #2.5   ; R0H = 2.5 = 0x40200000
F32TOUI32 R0H, R0H
NOP                 ; Delay for conversion instruction
                    ; <-- Conversion complete, R0H valid
NOP                 ; Alignment cycle
MOV32  XAR0, R0H     ; XAR0 = 2 = 0x00000002

```

See also

[MOV32 ACC, RaH](#)
[MOV32 P, RaH](#)
[MOV32 XT, RaH](#)

MOV32 XT, RaH *Move 32-bit Floating-Point Register Contents to XT*
Operands

XT	temporary register
RaH	floating-point source register (R0H to R7H)

Opcode LSW: 1011 1111 loc32
MSW: IIII IIII IIII IIII

Description Move the 32-bit value in RaH to the temporary register XT.
XT = RaH

Flags No flags affected in floating-point unit.

Flag	TF	ZI	NI	ZF	NF	LUF	LVF
Modified	No	No	No	No	No	No	No

Pipeline While this is a single-cycle instruction, additional pipeline alignment is required when copying a floating-point register to a C28x register. If the move follows a single cycle floating point instruction, a single alignment cycle must be added. For example:

```

MINF32 R0H,R1H      ; Single-cycle instruction
NOP                ; 1 alignment cycle
MOV32  @XT,R0H      ; Copy R0H to ACC
NOP                ; Any instruction

```

If the move follows a 2 pipeline-cycle floating point instruction, then two alignment cycles must be used. For example:

```

ADDF32 R2H, R1H, R0H ; 2 pipeline instruction (2p)
NOP                ; 1 cycle delay for ADDF32 to complete
                  ; <-- ADDF32 completes, R2H is valid
NOP                ; 1 alignment cycle
MOV32  XT, R2H      ; copy R2H into ACC, takes 1 cycle
                  ; <-- MOV32 completes, ACC is valid
NOP                ; Any instruction

```

Example

```

MOVIZF32 R0H, #2.5   ; R0H = 2.5 = 0x40200000
F32TOUI32 R0H, R0H NOP ; Delay for conversion instruction
                  ; <-- Conversion complete, R0H valid
NOP                ; Alignment cycle
MOV32  XT, R0H      ; XT = 2 = 0x00000002

```

See also

[MOV32 ACC, RaH](#)
[MOV32 P, RaH](#)
[MOV32 XARn, RaH](#)

MOVD32 RaH, mem32 *Move 32-bit Value from Memory with Data Copy*

Operands

RaH	floating-point register (R0H to R7H)
mem32	pointer to the 32-bit source memory location

Opcode

LSW: 1110 0010 0010 0011
MSW: 0000 0aaa mem32

Description

Move the 32-bit value referenced by mem32 to the floating-point register indicated by RaH.

RaH = [mem32]
[mem32+2] = [mem32]

Flags

This instruction modifies the following flags in the STF register:

Flag	TF	ZI	NI	ZF	NF	LUF	LVF
Modified	No	Yes	Yes	Yes	Yes	No	No

```
NF = RaH[31];
ZF = 0;
if(RaH[30:23] == 0){ ZF = 1; NF = 0; }
NI = RaH[31];
ZI = 0;
if(RaH[31:0] == 0) ZI = 1;
```

Pipeline

This is a single-cycle instruction.

Example

```
MOVW    DP, #0x02C0    ; DP = 0x02C0
MOV     @2, #0x0000    ; [0x00B002] = 0x0000
MOV     @3, #0x4110    ; [0x00B003] = 0x4110
MOVD32 R7H, @2        ; R7H = 0x41100000,
                       ; [0x00B004] = 0x0000, [0x00B005] = 0x4110
```

See also

[MOV32 RaH, mem32 {,CNDF}](#)

MOVF32 RaH, #32F *Load the 32-bits of a 32-bit Floating-Point Register*

Operands This instruction is an alias for MOVIZ and MOVXI instructions. The second operand is translated by the assembler such that the instruction becomes:

```
MOVIZ RaH, #16FHiHex
MOVXI RaH, #16FLoHex
```

RaH	floating-point destination register (R0H to R7H)
#32F	immediate float value represented in floating-point representation

Opcode

```
LSW: 1110 1000 0000 0III (opcode of MOVIZ RaH, #16FHiHex)
MSW: IIII IIII IIII Iaaa

LSW: 1110 1000 0000 1III (opcode of MOVXI RaH, #16FLoHex)
MSW: IIII IIII IIII Iaaa
```

Description

Note: This instruction accepts the immediate operand only in floating-point representation. To specify the immediate value as a hex value (IEEE 32-bit floating-point format) use the MOVIZ RaH, #32FHex instruction.

Load the 32-bits of RaH with the immediate float value represented by #32F.

#32F is a float value represented in floating-point representation. The assembler will only accept a float value represented in floating-point representation. That is, 3.0 can only be represented as #3.0. #0x40400000 will result in an error.

RaH = #32F

Flags This instruction modifies the following flags in the STF register:

Flag	TF	ZI	NI	ZF	NF	LUF	LVF
Modified	No	No	No	No	No	No	No

Pipeline Depending on #32FH, this instruction takes one or two cycles. If all of the lower 16-bits of the IEEE 32-bit floating-point format of #32F are zeros, then the assembler will convert MOVF32 into only MOVIZ instruction. If the lower 16-bits of the IEEE 32-bit floating-point format of #32F are not zeros, then the assembler will convert MOVF32 into MOVIZ and MOVXI instructions.

Example

```
MOVF32 R1H, #3.0      ; R1H = 3.0 (0x40400000)
                       ; Assembler converts this instruction as
                       ; MOVIZ R1H, #0x4040

MOVF32 R2H, #0.0      ; R2H = 0.0 (0x00000000)
                       ; Assembler converts this instruction as
                       ; MOVIZ R2H, #0x0

MOVF32 R3H, #12.265   ; R3H = 12.625 (0x41443D71)
                       ; Assembler converts this instruction as
                       ; MOVIZ R3H, #0x4144
                       ; MOVXI R3H, #0x3D71
```

See also

[MOVIZ RaH, #16FHiHex](#)
[MOVXI RaH, #16FLoHex](#)
[MOVIZ RaH, #32FHex](#)
[MOVIZF32 RaH, #16FHiHex](#)

MOVI32 RaH, #32FHex *Load the 32-bits of a 32-bit Floating-Point Register with the immediate*

Operands This instruction is an alias for MOVIZ and MOVXI instructions. The second operand is translated by the assembler such that the instruction becomes:

```
MOVIZ RaH, #16FHiHex
MOVXI RaH, #16FLoHex
```

RaH	floating-point register (R0H to R7H)
#32FHex	A 32-bit immediate value that represents an IEEE 32-bit floating-point value.

Opcode

```
LSW: 1110 1000 0000 0III (opcode of MOVIZ RaH, #16FHiHex)
MSW: IIII IIII IIII Iaaa

LSW: 1110 1000 0000 1III (opcode of MOVXI RaH, #16FLoHex)
MSW: IIII IIII IIII Iaaa
```

Description Note: This instruction only accepts a hex value as the immediate operand. To specify the immediate value with a floating-point representation use the MOVF32 RaH, #32F instruction.

Load the 32-bits of RaH with the immediate 32-bit hex value represented by #32Fhex.

#32Fhex is a 32-bit immediate hex value that represents the IEEE 32-bit floating-point value of a floating-point number. The assembler will only accept a hex immediate value. That is, 3.0 can only be represented as #0x40400000. #3.0 will result in an error.

RaH = #32Fhex

Flags This instruction modifies the following flags in the STF register:

Flag	TF	ZI	NI	ZF	NF	LUF	LVF
Modified	No	No	No	No	No	No	No

Pipeline Depending on #32FHex, this instruction takes one or two cycles. If all of the lower 16-bits of #32FHex are zeros, then assembler will convert MOVI32 to the MOVIZ instruction. If the lower 16-bits of #32FHex are not zeros, then assembler will convert MOVI32 to a MOVIZ and a MOVXI instruction.

Example

```
MOVI32 R1H, #0x40400000 ; R1H = 0x40400000
                          ; Assembler converts this instruction as
                          ; MOVIZ R1H, #0x4040
MOVI32 R2H, #0x00000000 ; R2H = 0x00000000
                          ; Assembler converts this instruction as
                          ; MOVIZ R2H, #0x0
MOVI32 R3H, #0x40004001 ; R3H = 0x40004001
                          ; Assembler converts this instruction as
                          ; MOVIZ R3H, #0x4000
                          ; MOVXI R3H, #0x4001
MOVI32 R4H, #0x00004040 ; R4H = 0x00004040
                          ; Assembler converts this instruction as
                          ; MOVIZ R4H, #0x0000
                          ; MOVXI R4H, #0x4040
```

See also

- [MOVIZ RaH, #16FHiHex](#)
- [MOVXI RaH, #16FLoHex](#)
- [MOVF32 RaH, #32F](#)
- [MOVIZF32 RaH, #16FHi](#)

MOVIZ RaH, #16FHiHex *Load the Upper 16-bits of a 32-bit Floating-Point Register*

Operands

RaH	floating-point register (R0H to R7H)
#16FHiHex	A 16-bit immediate hex value that represents the upper 16-bits of an IEEE 32-bit floating-point value. The low 16-bits of the mantissa are assumed to be all 0.

Opcode

```
LSW: 1110 1000 0000 0III
MSW: IIII IIII IIII Iaaa
```

Description

Note: This instruction only accepts a hex value as the immediate operand. To specify the immediate value with a floating-point representation use the MOVIZF32 pseudo instruction.

Load the upper 16-bits of RaH with the immediate value #16FHiHex and clear the low 16-bits of RaH.

#16FHiHex is a 16-bit immediate value that represents the upper 16-bits of an IEEE 32-bit floating-point value. The low 16-bits of the mantissa are assumed to be all 0. The assembler will only accept a hex immediate value. That is, -1.5 can only be represented as #0xBFC0. #-1.5 will result in an error.

By itself, MOVIZ is useful for loading a floating-point register with a constant in which the lowest 16-bits of the mantissa are 0. Some examples are 2.0 (0x40000000), 4.0 (0x40800000), 0.5 (0x3F000000), and -1.5 (0xBFC00000). If a constant requires all 32-bits of a floating-point register to be initialized, then use MOVIZ along with the MOVXI instruction.

```
RaH[31:16] = #16FHiHex
RaH[15:0] = 0
```

Flags

This instruction modifies the following flags in the STF register:

Flag	TF	ZI	NI	ZF	NF	LUF	LVF
Modified	No	No	No	No	No	No	No

Pipeline

This is a single-cycle instruction.

Example

```
; Load R0H with -1.5 (0xBFC00000)
MOVIZ R0H, #0xBFC0 ; R0H = 0xBFC00000

; Load R0H with pi = 3.141593 (0x40490FDB)
MOVIZ R0H, #0x4049 ; R0H = 0x40490000
MOVXI R0H, #0x0FDB ; R0H = 0x40490FDB
```

See also

[MOVIZF32 RaH, #16FHi](#)
[MOVXI RaH, #16FLoHex](#)

MOVZF32 RaH, #16FHi *Load the Upper 16-bits of a 32-bit Floating-Point Register*

Operands

RaH	floating-point register (R0H to R7H)
#16FHi	A 16-bit immediate value that represents the upper 16-bits of an IEEE 32-bit floating-point value. The low 16-bits of the mantissa are assumed to be all 0.

Opcode

LSW: 1110 1000 0000 0III
MSW: IIII IIII IIII Iaaa

Description

Load the upper 16-bits of RaH with the value represented by #16FHi and clear the low 16-bits of RaH.

#16FHi is a 16-bit immediate value that represents the upper 16-bits of an IEEE 32-bit floating-point value. The low 16-bits of the mantissa are assumed to be all 0. This addressing mode is most useful for constants where the lowest 16-bits of the mantissa are 0. Some examples are 2.0 (0x40000000), 4.0 (0x40800000), 0.5 (0x3F000000), and -1.5 (0xBFC00000). #16FHi can be specified in hex or float. That is, -1.5 can be represented as #-1.5 or #0xBFC0.

MOVZF32 is an alias for the MOVIZ RaH, #16FHiHex instruction. In the case of MOVZF32 the assembler will accept either a hex or float as the immediate value and encodes it into a MOVIZ instruction. For example, MOVZF32 RaH, #-1.5 will be encoded as MOVIZ RaH, 0xBFC0.

RaH[31:16] = #16FHi
RaH[15:0] = 0

Flags

This instruction modifies the following flags in the STF register:

Flag	TF	ZI	NI	ZF	NF	LUF	LVF
Modified	No	No	No	No	No	No	No

Pipeline

This is a single-cycle instruction.

Example

```
MOVZF32 R0H, #3.0      ; R0H = 3.0 = 0x40400000
MOVZF32 R1H, #1.0      ; R1H = 1.0 = 0x3F800000
MOVZF32 R2H, #2.5      ; R2H = 2.5 = 0x40200000
MOVZF32 R3H, #-5.5     ; R3H = -5.5 = 0xC0B00000
MOVZF32 R4H, #0xC0B0   ; R4H = -5.5 = 0xC0B00000
;
; Load R5H with pi = 3.141593 (0x40490000)
;
MOVZF32 R5H, #3.141593 ; R5H = 3.140625 (0x40490000)
;
; Load R0H with a more accurate pi = 3.141593 (0x40490FDB)
;
MOVZF32 R0H, #0x4049   ; R0H = 0x40490000
MOVXI   R0H, #0x0FDB   ; R0H = 0x40490FDB
```

See also

[MOVIZ RaH, #16FHiHex](#)
[MOVXI RaH, #16FLoHex](#)

MOVST0 FLAG *Load Selected STF Flags into ST0*

Operands

FLAG	Selected flag
------	---------------

Opcode LSW: 1010 1101 FFFF FFFF

Description Load selected flags from the STF register into the ST0 register of the 28x CPU where FLAG is one or more of TF, CI, ZI, ZF, NI, NF, LUF or LVF. The specified flag maps to the ST0 register as follows:

- Set OV = 1 if LVF or LUF is set. Otherwise clear OV.
- Set N = 1 if NF or NI is set. Otherwise clear N.
- Set Z = 1 if ZF or ZI is set. Otherwise clear Z.
- Set C = 1 if TF is set. Otherwise clear C.
- Set TC = 1 if TF is set. Otherwise clear TF.

If any STF flag is not specified, then the corresponding ST0 register bit is not modified.

Restrictions Do not use the MOVST0 instruction in the delay slots for pipelined operations. Doing so can yield invalid results. To avoid this, the proper number of NOPs or non-pipelined instructions must be inserted before the MOVST0 operation.

```

; The following is INVALID
MPYF32 R2H, R1H, R0H ; 2 pipeline-cycle instruction (2p)
MOVST0 TF ; INVALID, do not use MOVST0 in a delay slot

; The following is VALID
MPYF32 R2H, R1H, R0H ; 2 pipeline-cycle instruction (2p)
NOP ; 1 delay cycle, R2H updated after this
instruction
MOVST0 TF ; VALID

```

Flags This instruction modifies the following flags in the STF register:

Flag	TF	ZI	NI	ZF	NF	LUF	LVF
Modified	No	No	No	No	No	Yes	Yes

When the flags are moved to the C28x ST0 register, the LUF or LVF flags are automatically cleared if selected.

Pipeline This is a single-cycle instruction.

Example Program flow is controlled by C28x instructions that read status flags in the status register 0 (ST0). If a decision needs to be made based on a floating-point operation, the information in the STF register needs to be loaded into ST0 flags (Z,N,OV,TC,C) so that the appropriate branch conditional instruction can be executed. The MOVST0 FLAG instruction is used to load the current value of specified STF flags into the respective bits of ST0. When this instruction executes, it will also clear the latched overflow and underflow flags if those flags are specified.

```

Loop:
MOV32 R0H,*XAR4++
MOV32 R1H,*XAR3++
CMPF32 R1H, R0H
MOVST0 ZF, NF
BF Loop, GT ; Loop if (R1H > R0H)

```

See also [MOV32 mem32, STF](#)

MOV32 STF, mem32

MOVXI RaH, #16FLoHex *Move Immediate to the Low 16-bits of a Floating-Point Register*

Operands

Ra	floating-point register (R0H to R7H)
#16FLoHex	A 16-bit immediate hex value that represents the lower 16-bits of an IEEE 32-bit floating-point value. The upper 16-bits will not be modified.

Opcode

```
LSW: 1110 1000 0000 1111
MSW: 1111 1111 1111 Iaaa
```

Description

Load the low 16-bits of RaH with the immediate value #16FLoHex. #16FLoHex represents the lower 16-bits of an IEEE 32-bit floating-point value. The upper 16-bits of RaH will not be modified. MOVXI can be combined with the MOVIZ or MOVIZF32 instruction to initialize all 32-bits of a RaH register.

```
RaH[15:0] = #16FLoHex
RaH[31:16] = Unchanged
```

Flags

Flag	TF	ZI	NI	ZF	NF	LUF	LVF
Modified	No	No	No	No	No	No	No

Pipeline

This is a single-cycle instruction.

Example

```
; Load R0H with pi = 3.141593 (0x40490FDB)
MOVIZ  R0H,#0x4049    ; R0H = 0x40490000
MOVXI  R0H,#0x0FDB    ; R0H = 0x40490FDB
```

See also

[MOVIZ RaH, #16FHiHex](#)
[MOVIZF32 RaH, #16FHi](#)

MPYF32 RaH, RbH, RcH *32-bit Floating-Point Multiply*

Operands

RaH	floating-point destination register (R0H to R7H)
RbH	floating-point source register (R0H to R7H)
RcH	floating-point source register (R0H to R7H)

Opcode LSW: 1110 0111 0000 0000
MSW: 0000 000c ccbb baaa

Description Multiply the contents of two floating-point registers.

$$\text{RaH} = \text{RbH} * \text{RcH}$$

Flags This instruction modifies the following flags in the STF register:.

Flag	TF	ZI	NI	ZF	NF	LUF	LVF
Modified	No	No	No	No	No	Yes	Yes

The STF register flags are modified as follows:

- LUF = 1 if MPYF32 generates an underflow condition.
- LVF = 1 if MPYF32 generates an overflow condition.

Pipeline This is a 2 pipeline cycle (2p) instruction. That is:

```

MPYF32 RaH, RbH, RcH ; 2 pipeline cycles (2p)
NOP                    ; 1 cycle delay or non-conflicting instruction
                       ; <-- MPYF32 completes, RaH updated
NOP

```

Any instruction in the delay slot must not use RaH as a destination register or use RaH as a source operand.

Example Calculate $Y = A * B$:

```

MOVL   XAR4, #A
MOV32  R0H, *XAR4      ; Load R0H with A
MOVL   XAR4, # B
MOV32  R1H, *XAR4      ; Load R1H with B
MPYF32 R0H,R1H,R0H     ; Multiply A * B
MOVL   XAR4, #Y
MOV32  *XAR4,R0H       ; <--MPYF32 complete
                       ; Save the result

```

See also

[MPYF32 RaH, #16FHi, RbH](#)
[MPYF32 RaH, RbH, RcH || ADDF32 RdH, ReH, RfH](#)
[MPYF32 RdH, ReH, RfH || MOV32 RaH, mem32](#)
[MPYF32 RdH, ReH, RfH || MOV32 mem32, RaH](#)
[MPYF32 RaH, RbH, RcH || SUBF32 RdH, ReH, RfH](#)
[MACF32 R3H, R2H, RdH, ReH, RfH || MOV32 RaH, mem32](#)

MPYF32 RaH, #16FHi, RbH 32-bit Floating-Point Multiply

Operands

RaH	floating-point destination register (R0H to R7H)
#16FHi	A 16-bit immediate value that represents the upper 16-bits of an IEEE 32-bit floating-point value. The low 16-bits of the mantissa are assumed to be all 0.
RcH	floating-point source register (R0H to R7H)

Opcode
 LSW: 1110 1000 01II IIII
 MSW: IIII IIII IIbb baaa

Description Multiply RbH with the floating-point value represented by the immediate operand. Store the result of the addition in RaH.

#16FHi is a 16-bit immediate value that represents the upper 16-bits of an IEEE 32-bit floating-point value. The low 16-bits of the mantissa are assumed to be all 0. #16FHi is most useful for representing constants where the lowest 16-bits of the mantissa are 0. Some examples are 2.0 (0x40000000), 4.0 (0x40800000), 0.5 (0x3F000000), and -1.5 (0xBFC00000). The assembler will accept either a hex or float as the immediate value. That is, the value -1.5 can be represented as #-1.5 or #0xBFC0.

$$RaH = RbH * \#16FHi:0$$

This instruction can also be written as MPYF32 RaH, RbH, #16FHi.

Flags This instruction modifies the following flags in the STF register:.

Flag	TF	ZI	NI	ZF	NF	LUF	LVF
Modified	No	No	No	No	No	Yes	Yes

The STF register flags are modified as follows:

- LUF = 1 if MPYF32 generates an underflow condition.
- LVF = 1 if MPYF32 generates an overflow condition.

Pipeline This is a 2 pipeline cycle (2p) instruction. That is:

```
MPYF32 RaH, #16FHi, RbH ; 2 pipeline cycles (2p)
NOP                       ; 1 cycle delay or non-conflicting instruction
                           ; <-- MPYF32 completes, RaH updated
NOP
```

Any instruction in the delay slot must not use RaH as a destination register or use RaH as a source operand.

Example 1

```
MOVIZF32 R3H, #2.0 ; R3H = 2.0 (0x40000000)
MPYF32 R4H, #3.0, R3H ; R4H = 3.0 * R3H
MOVL XAR1, #0xB006 ; <-- Non conflicting instruction
                           ; <-- MPYF32 complete, R4H = 6.0 (0x40C00000)
MOV32 *XAR1, R4H ; Save the result in memory location 0xB006
```

Example 2

```
;Same as above example but #16FHi is represented in Hex
MOVIZF32 R3H, #2.0 ; R3H = 2.0 (0x40000000)
MPYF32 R4H, #0x4040, R3H ; R4H = 0x4040 * R3H
                           ; 3.0 is represented as 0x40400000 in
                           ; IEEE 754 32-bit format
MOVL XAR1, #0xB006 ; <-- Non conflicting instruction
                           ; <-- MPYF32 complete, R4H = 6.0 (0x40C00000)
MOV32 *XAR1, R4H ; Save the result in memory location 0xB006
```

See also[MPYF32 RaH, RbH, #16FHi](#)[MPYF32 RaH, RbH, RcH](#)[MPYF32 RaH, RbH, RcH || ADDF32 RdH, ReH, RfH](#)

MPYF32 RaH, RbH, #16FHi 32-bit Floating-Point Multiply
Operands

RaH	floating-point destination register (R0H to R7H)
RbH	floating-point source register (R0H to R7H)
#16FHi	A 16-bit immediate value that represents the upper 16-bits of an IEEE 32-bit floating-point value. The low 16-bits of the mantissa are assumed to be all 0.

Opcode

```
LSW: 1110 1000 0111 1111
MSW: 1111 1111 11bb baaa
```

Description

Multiply RbH with the floating-point value represented by the immediate operand. Store the result of the addition in RaH.

#16FHi is a 16-bit immediate value that represents the upper 16-bits of an IEEE 32-bit floating-point value. The low 16-bits of the mantissa are assumed to be all 0. #16FHi is most useful for representing constants where the lowest 16-bits of the mantissa are 0. Some examples are 2.0 (0x40000000), 4.0 (0x40800000), 0.5 (0x3F000000), and -1.5 (0xBF000000). The assembler will accept either a hex or float as the immediate value. That is, the value -1.5 can be represented as #-1.5 or #0xBF000000.

```
RaH = RbH * #16FHi:0
```

This instruction can also be written as MPYF32 RaH, #16FHi, RbH.

Flags

This instruction modifies the following flags in the STF register:.

Flag	TF	ZI	NI	ZF	NF	LUF	LVF
Modified	No	No	No	No	No	Yes	Yes

The STF register flags are modified as follows:

- LUF = 1 if MPYF32 generates an underflow condition.
- LVF = 1 if MPYF32 generates an overflow condition.

Pipeline

This is a 2 pipeline cycle (2p) instruction. That is:

```
MPYF32 RaH, RbH, #16FHi ; 2 pipeline cycles (2p)
NOP                       ; 1 cycle delay or non-conflicting instruction
                           ; <-- MPYF32 completes, RaH updated
NOP
```

Any instruction in the delay slot must not use RaH as a destination register or use RaH as a source operand.

Example 1

```
MOVIZF32 R3H, #2.0 ; R3H = 2.0 (0x40000000)
MPYF32 R4H, R3H, #3.0 ; R4H = R3H * 3.0
MOVL XAR1, #0xB008 ; <-- Non conflicting instruction
                           ; <-- MPYF32 complete, R4H = 6.0 (0x40C00000)
MOV32 *XAR1, R4H ; Save the result in memory location 0xB008
```

Example 2

```
;Same as above example but #16FHi is represented in Hex
MOVIZF32 R3H, #2.0 ; R3H = 2.0 (0x40000000)
MPYF32 R4H, R3H, #0x4040 ; R4H = R3H * 0x4040
                           ; 3.0 is represented as 0x40400000 in
                           ; IEEE 754 32-bit format
MOVL XAR1, #0xB008 ; <-- Non conflicting instruction
                           ; <--
MPYF32 complete, R4H = 6.0 (0x40C00000)
MOV32 *XAR1, R4H ; Save the result in memory location 0xB008
```


See also

[MPYF32 RaH, #16FHi, RbH](#)
[MPYF32 RaH, RbH, RcH](#)

MPYF32 RaH, RbH, RcH || ADDF32 RdH, ReH, RfH 32-bit Floating-Point Multiply with Parallel Add

Operands

RaH	floating-point destination register for MPYF32 (R0H to R7H) RaH cannot be the same register as RdH
RbH	floating-point source register for MPYF32 (R0H to R7H)
RcH	floating-point source register for MPYF32 (R0H to R7H)
RdH	floating-point destination register for ADDF32 (R0H to R7H) RdH cannot be the same register as RaH
ReH	floating-point source register for ADDF32 (R0H to R7H)
RfH	floating-point source register for ADDF32 (R0H to R7H)

Opcode LSW: 1110 0111 0100 00ff
 MSW: feee dddc cbbb baaa

Description Multiply the contents of two floating-point registers with parallel addition of two registers.

RaH = RbH * RcH
RdH = ReH + RfH

This instruction can also be written as:

MACF32 RaH, RbH, RcH, RdH, ReH, RfH

Restrictions The destination register for the MPYF32 and the ADDF32 must be unique. That is, RaH cannot be the same register as RdH.

Flags This instruction modifies the following flags in the STF register:.

Flag	TF	ZI	NI	ZF	NF	LUF	LVF
Modified	No	No	No	No	No	Yes	Yes

The STF register flags are modified as follows:

- LUF = 1 if MPYF32 or ADDF32 generates an underflow condition.
- LVF = 1 if MPYF32 or ADDF32 generates an overflow condition.

Pipeline Both MPYF32 and ADDF32 take 2 pipeline cycles (2p) That is:

```

MPYF32 RaH, RbH, RcH ; 2 pipeline cycles (2p)
|| ADDF32 RdH, ReH, RfH ; 2 pipeline cycles (2p)
NOP ; 1 cycle delay or non-conflicting instruction
; <-- MPYF32, ADDF32 complete, RaH, RdH updated
NOP
```

Any instruction in the delay slot must not use RaH or RdH as a destination register or as a source operand.

Example

```

; Perform 5 multiply and accumulate operations:
;
; 1st multiply: A = X0 * Y0
; 2nd multiply: B = X1 * Y1
; 3rd multiply: C = X2 * Y2
; 4th multiply: D = X3 * Y3
; 5th multiply: E = X3 * Y3
;
; Result = A + B + C + D + E

MOV32  R0H, *XAR4++          ; R0H = X0
MOV32  R1H, *XAR5++          ; R1H = Y0

MPYF32 R2H, R0H, R1H         ; R2H = A = X0 * Y0
|| MOV32 R0H, *XAR4++         ; In parallel R0H = X1
MOV32  R1H, *XAR5++          ; R1H = Y1

MPYF32 R3H, R0H, R1H         ; R3H = B = X1 * Y1
|| MOV32 R0H, *XAR4++         ; In parallel R0H = X2
MOV32  R1H, *XAR5++          ; R1H = Y2
MACF32 R3H, R2H, R2H, R0H, R1H ; R3H = A + B
|| MOV32 R0H, *XAR4++         ; R2H = C = X2 * Y2
MOV32  R1H, *XAR5++          ; R1H = Y3
MACF32 R3H, R2H, R2H, R0H, R1H ; R3H = (A + B) + C
|| MOV32 R0H, *XAR4           ; R2H = D = X3 * Y3
MOV32  R1H, *XAR5             ; R1H = Y4

MPYF32 R2H, R0H, R1H         ; R2H = E = X4 * Y4
|| ADDF32 R3H, R3H, R2H       ; in parallel R3H = (A + B + C) + D
NOP                                     ; Wait for MPYF32 || ADDF32 to complete

ADDF32 R3H, R3H, R2H         ; R3H = (A + B + C + D) + E
NOP                                     ; Wait for ADDF32 to complete
MOV32  @Result, R3H          ; Store the result

```

See also

[MACF32 R3H, R2H, RdH, ReH, RfH](#)
[MACF32 R3H, R2H, RdH, ReH, RfH || MOV32 RaH, mem32](#)
[MACF32 R7H, R3H, mem32, *XAR7++](#)
[MACF32 R7H, R6H, RdH, ReH, RfH](#)
[MACF32 R7H, R6H, RdH, ReH, RfH || MOV32 RaH, mem32](#)

MPYF32 RdH, ReH, RfH || MOV32 RaH, mem32 32-bit Floating-Point Multiply with Parallel Move

Operands

RdH	floating-point destination register for the MPYF32 (R0H to R7H) RdH cannot be the same register as RaH
ReH	floating-point source register for the MPYF32 (R0H to R7H)
RfH	floating-point source register for the MPYF32 (R0H to R7H)
RaH	floating-point destination register for the MOV32 (R0H to R7H) RaH cannot be the same register as RdH
mem32	pointer to a 32-bit memory location. This will be the source of the MOV32.

Opcode LSW: 1110 0011 0000 fffe
 MSW: eedd daaa mem32

Description Multiply the contents of two floating-point registers and load another.
 RdH = ReH * RfH
 RaH = [mem32]

Restrictions The destination register for the MPYF32 and the MOV32 must be unique. That is, RaH cannot be the same register as RdH.

Flags This instruction modifies the following flags in the STF register:.

Flag	TF	ZI	NI	ZF	NF	LUF	LVF
Modified	No	Yes	Yes	Yes	Yes	Yes	Yes

The STF register flags are modified as follows:

- LUF = 1 if MPYF32 generates an underflow condition.
- LVF = 1 if MPYF32 generates an overflow condition.

The MOV32 Instruction will set the NF, ZF, NI and ZI flags as follows:

```
NF = RaH(31);
ZF = 0;
if(RaH(30:23) == 0) { ZF = 1; NF = 0; }
NI = RaH(31);
ZI = 0;
if(RaH(31:0) == 0) ZI = 1;
```

Pipeline MPYF32 takes 2 pipeline-cycles (2p) and MOV32 takes a single cycle. That is:

```

MPYF32 RdH, ReH, RfH ; 2 pipeline cycles (2p)
|| MOV32 RaH, mem32 ; 1 cycle
; <-- MOV32 completes, RaH updated
NOP ; 1 cycle delay or non-conflicting instruction
; <-- MPYF32 completes, RdH updated
NOP
```

Any instruction in the delay slot must not use RdH as a destination register or as a source operand.

Example

Calculate $Y = M1 * X1 + B1$. This example assumes that M1, X1, B1 and Y1 are all on the same data page.

```

MOVW    DP, #M1           ; Load the data page
MOV32   R0H,@M1          ; Load R0H with M1
MOV32   R1H,@X1          ; Load R1H with X1
MPYF32  R1H,R1H,R0H      ; Multiply M1*X1
||      MOV32   R0H,@B1    ; and in parallel load R0H with B1
; <-- MOV32 complete
NOP     ; Wait 1 cycle for MPYF32 to complete
; <-- MPYF32 complete
ADDF32  R1H,R1H,R0H      ; Add M*X1 to B1 and store in R1H
NOP     ; Wait 1 cycle for ADDF32 to complete
; <-- ADDF32 complete
MOV32   @Y1,R1H          ; Store the result

```

Calculate $Y = (A * B) * C$:

```

MOVL    XAR4, #A
MOV32   R0H, *XAR4        ; Load R0H with A
MOVL    XAR4, #B
MOV32   R1H, *XAR4        ; Load R1H with B
MOVL    XAR4, #C
MPYF32  R1H,R1H,R0H      ; Calculate R1H = A * B
||      MOV32   R0H, *XAR4 ; and in parallel load R2H with C
; <-- MOV32 complete
; <-- MPYF32 complete
MOVL    XAR4, #Y
MPYF32  R2H,R1H,R0H      ; Calculate Y = (A * B) * C
NOP     ; Wait 1 cycle for MPYF32 to complete
; MPYF32 complete
MOV32   *XAR4,R2H

```

See also

[MPYF32 RdH, ReH, RfH || MOV32 mem32, RaH](#)
[MACF32 R3H, R2H, RdH, ReH, RfH || MOV32 RaH, mem32](#)
[MACF32 R7H, R6H, RdH, ReH, RfH || MOV32 RaH, mem32](#)
[MACF32 R7H, R3H, mem32, *XAR7++](#)

MPYF32 RdH, ReH, RfH || MOV32 mem32, RaH 32-bit Floating-Point Multiply with Parallel Move
Operands

RdH	floating-point destination register for the MPYF32 (R0H to R7H)
ReH	floating-point source register for the MPYF32 (R0H to R7H)
RfH	floating-point source register for the MPYF32 (R0H to R7H)
mem32	pointer to a 32-bit memory location. This will be the destination of the MOV32.
RaH	floating-point source register for the MOV32 (R0H to R7H)

Opcode

```
LSW: 1110 0000 0000 fffe
MSW: eedd daaa mem32
```

Description

Multiply the contents of two floating-point registers and move from memory to register.

```
RdH = ReH * RfH,
[mem32] = RaH
```

Flags

This instruction modifies the following flags in the STF register:

Flag	TF	ZI	NI	ZF	NF	LUF	LVF
Modified	No	No	No	No	No	Yes	Yes

The STF register flags are modified as follows:

- LUF = 1 if MPYF32 generates an underflow condition.
- LVF = 1 if MPYF32 generates an overflow condition.

Pipeline

MPYF32 takes 2 pipeline-cycles (2p) and MOV32 takes a single cycle. That is:

```

MPYF32 RdH, ReH, RfH ; 2 pipeline cycles (2p)
|| MOV32 mem32, RaH ; 1 cycle
; <-- MOV32 completes, mem32 updated
NOP ; 1 cycle delay or non-conflicting instruction
; <-- MPYF32 completes, RdH updated
NOP
```

Any instruction in the delay slot must not use RdH as a destination register or as a source operand.

Example

```

MOVL XAR1, #0xC003 ; XAR1 = 0xC003
MOVIZF32 R3H, #2.0 ; R3H = 2.0 (0x40000000)
MPYF32 R3H, R3H, #5.0 ; R3H = R3H * 5.0
MOVIZF32 R1H, #5.0 ; R1H = 5.0 (0x40A00000)
; <-- MPYF32 complete, R3H = 10.0 (0x41200000)
MPYF32 R3H, R1H, R3H ; R3H = R1H * R3H
|| MOV32 *XAR1, R3H ; and in parallel store previous R3 value
; MOV32 complete, [0xC003] = 0x4120,
; [0xC002] = 0x0000
NOP ; 1 cycle delay for MPYF32 to complete
; <-- MPYF32 , R3H = 50.0 (0x42480000)
```

See also

[MPYF32 RdH, ReH, RfH || MOV32 RaH, mem32](#)
[MACF32 R3H, R2H, RdH, ReH, RfH || MOV32 RaH, mem32](#)
[MACF32 R7H, R6H, RdH, ReH, RfH || MOV32 RaH, mem32](#)
[MACF32 R7H, R3H, mem32, *XAR7++](#)

MPYF32 RaH, RbH, RcH || SUBF32 RdH, ReH, RfH *32-bit Floating-Point Multiply with Parallel Subtract*

Operands

RaH	floating-point destination register for MPYF32 (R0H to R7H) RaH cannot be the same register as RdH
RbH	floating-point source register for MPYF32 (R0H to R7H)
RcH	floating-point source register for MPYF32 (R0H to R7H)
RdH	floating-point destination register for SUBF32 (R0H to R7H) RdH cannot be the same register as RaH
ReH	floating-point source register for SUBF32 (R0H to R7H)
RfH	floating-point source register for SUBF32 (R0H to R7H)

Opcode

LSW: 1110 0111 0101 00ff
MSW: feee dddc cbbb baaa

Description

Multiply the contents of two floating-point registers with parallel subtraction of two registers.

RaH = RbH * RcH,
RdH = ReH - RfH

Restrictions

The destination register for the MPYF32 and the SUBF32 must be unique. That is, RaH cannot be the same register as RdH.

Flags

This instruction modifies the following flags in the STF register:.

Flag	TF	ZI	NI	ZF	NF	LUF	LVF
Modified	No	No	No	No	No	Yes	Yes

The STF register flags are modified as follows:

- LUF = 1 if MPYF32 or SUBF32 generates an underflow condition.
- LVF = 1 if MPYF32 or SUBF32 generates an overflow condition.

Pipeline

MPYF32 and SUBF32 both take 2 pipeline-cycles (2p). That is:

```

MPYF32 RaH, RbH, RcH ; 2 pipeline cycles (2p)
|| SUBF32 RdH, ReH, RfH ; 2 pipeline cycles (2p)
NOP ; 1 cycle delay or non-conflicting instruction
; <-- MPYF32, SUBF32 complete. RaH, RdH updated
NOP

```

Any instruction in the delay slot must not use RaH or RdH as a destination register or as a source operand.

Example

```

MOVIZF32 R4H, #5.0 ; R4H = 5.0 (0x40A00000)
MOVIZF32 R5H, #3.0 ; R5H = 3.0 (0x40400000)
MPYF32 R6H, R4H, R5H ; R6H = R4H * R5H
|| SUBF32 R7H, R4H, R5H ; R7H = R4H - R5H
NOP ; 1 cycle delay for MPYF32 || SUBF32 to complete
; <-- MPYF32 || SUBF32 complete,
; R6H = 15.0 (0x41700000), R7H = 2.0 (0x40000000)

```

See also

[SUBF32 RaH, RbH, RcH](#)
[SUBF32 RdH, ReH, RfH || MOV32 RaH, mem32](#)
[SUBF32 RdH, ReH, RfH || MOV32 mem32, RaH](#)

NEGF32 RaH, RbH{, CNDF} *Conditional Negation*

Operands

RaH	floating-point destination register (R0H to R7H)
RbH	floating-point source register (R0H to R7H)
CNDF	condition tested

Opcode LSW: 1110 0110 1010 CNDF
 MSW: 0000 0000 00bb baaa

Description

```
if (CNDF == true) {RaH = - RbH }
else               {RaH = RbH }
```

CNDF is one of the following conditions:

Encode ⁽¹⁾	CNDF	Description	STF Flags Tested
0000	NEQ	Not equal to zero	ZF == 0
0001	EQ	Equal to zero	ZF == 1
0010	GT	Greater than zero	ZF == 0 AND NF == 0
0011	GEQ	Greater than or equal to zero	NF == 0
0100	LT	Less than zero	NF == 1
0101	LEQ	Less than or equal to zero	ZF == 1 AND NF == 1
1010	TF	Test flag set	TF == 1
1011	NTF	Test flag not set	TF == 0
1100	LU	Latched underflow	LUF == 1
1101	LV	Latched overflow	LVF == 1
1110	UNC	Unconditional	None
1111	UNCF ⁽²⁾	Unconditional with flag modification	None

⁽¹⁾ Values not shown are reserved.

⁽²⁾ This is the default operation if no CNDF field is specified. This condition will allow the ZF, NF, ZI, and NI flags to be modified when a conditional operation is executed. All other conditions will not modify these flags.

Flags This instruction modifies the following flags in the STF register:

Flag	TF	ZI	NI	ZF	NF	LUF	LVF
Modified	No	No	No	Yes	Yes	No	No

Pipeline This is a single-cycle instruction.

Example

```
MOVIZF32 R0H, #5.0      ; R0H = 5.0 (0x40A00000)
MOVIZF32 R1H, #4.0      ; R1H = 4.0 (0x40800000)
MOVIZF32 R2H, #-1.5     ; R2H = -1.5 (0xBF000000)
MPYF32  R4H, R1H, R2H   ; R4H = -6.0
MPYF32  R5H, R0H, R1H   ; R5H = 20.0
                        ; <-- R4H valid
CMPF32  R4H, #0.0       ; NF = 1
                        ; <-- R5H valid
NEGF32  R4H, R4H, LT    ; if NF = 1, R4H = 6.0
CMPF32  R5H, #0.0       ; NF = 0
NEGF32  R5H, R5H, GEQ   ; if NF = 0, R4H = -20.0
```

See also [ABSF32 RaH, RbH](#)

POP RB *Pop the RB Register from the Stack*

Operands

RB	repeat block register
----	-----------------------

Opcode LSW: 1111 1111 1111 0001

Description Restore the RB register from stack. If a high-priority interrupt contains a RPTB instruction, then the RB register must be stored on the stack before the RPTB block and restored after the RTPB block. In a low-priority interrupt RB must always be saved and restored. This save and restore must occur when interrupts are disabled.

Flags This instruction does not affect any flags floating-point Unit:

Flag	TF	ZI	NI	ZF	NF	LUF	LVF
Modified	No	No	No	No	No	No	No

Pipeline This is a single-cycle instruction.

Example A high priority interrupt is defined as an interrupt that cannot itself be interrupted. In a high priority interrupt, the RB register must be saved if a RPTB block is used within the interrupt. If the interrupt service routine does not include a RPTB block, then you do not have to save the RB register.

```

; Repeat Block within a High-Priority Interrupt (Non-Interruptible)
_Interrupt:
    ...

    PUSH RB
    in the ISR
    ...
    ...
    RPTB #BlockEnd, AL
    ...
    ...
BlockEnd
    ...
    ...
    POP RB
    ...
    IRET

```

A low-priority interrupt is defined as an interrupt that allows itself to be interrupted. The RB register must always be saved and restored in a low-priority interrupt. The RB register must stored before interrupts are enabled. Likewise before restoring the RB register interrupts must first be disabled.

```

; Repeat Block within a Low-Priority Interrupt (Interruptible)
_Interrupt:
    ...
    PUSH RB
    ...
    CLRC INTM
    ...
    ...
    SETC INTM
    ...
    POP RB
    ...

```

IRET

; RA = RAS, RAS = 0

See also

[PUSH RB](#)
[RPTB #RSIZE, RC](#)
[RPTB #RSIZE, loc16](#)

PUSH RB *Push the RB Register onto the Stack*

Operands

RB	repeat block register
----	-----------------------

Opcode LSW: 1111 1111 1111 0000

Description Save the RB register on the stack. If a high-priority interrupt contains a RPTB instruction, then the RB register must be stored on the stack before the RPTB block and restored after the RTPB block. In a low-priority interrupt RB must always be saved and restored. This save and restore must occur when interrupts are disabled.

Flags This instruction does not affect any flags floating-point Unit:

Flag	TF	ZI	NI	ZF	NF	LUF	LVF
Modified	No	No	No	No	No	No	No

Pipeline This is a single-cycle instruction for the first iteration, and zero cycles thereafter.

Example A high priority interrupt is defined as an interrupt that cannot itself be interrupted. In a high priority interrupt, the RB register must be saved if a RPTB block is used within the interrupt. If the interrupt service routine does not include a RPTB block, then you do not have to save the RB register.

```

; Repeat Block within a High-Priority Interrupt (Non-Interruptible)
_Interrupt:                ; RAS = RA, RA = 0
    ...
    PUSH    RB              ; Save RB register only if a RPTB block is used
in the ISR
    ...
    RPTB    #BlockEnd, AL   ; Execute the block AL+1 times
    ...
    ...
BlockEnd                    ; End of block to be repeated
    ...
    POP     RB              ; Restore RB register
    ...
    IRET                    ; RA = RAS, RAS = 0

```

A low-priority interrupt is defined as an interrupt that allows itself to be interrupted. The RB register must always be saved and restored in a low-priority interrupt. The RB register must stored before interrupts are enabled. Likewise before restoring the RB register interrupts must first be disabled.

```

; Repeat Block within a Low-Priority Interrupt (Interruptible)
_Interrupt:                ; RAS = RA, RA = 0
    ...
    PUSH    RB              ; Always save RB register
    ...
    CLRC    INTM            ; Enable interrupts only after saving RB
    ...
    ...                    ; ISR may or may not include a RPTB block
    ...
    SETC    INTM            ; Disable interrupts before restoring RB
    ...
    POP     RB              ; Always restore RB register
    ...
    IRET                    ; RA = RAS, RAS = 0

```

See also [POP RB](#)

RPTB #RSIZE, RC
RPTB #RSIZE, loc16

RESTORE *Restore the Floating-Point Registers*

Operands

none	This instruction does not have any operands
------	---

Opcode LSW: 1110 0101 0110 0010

Description Restore the floating-point register set (R0H - R7H and STF) from their shadow registers. The SAVE and RESTORE instructions should be used in high-priority interrupts. That is interrupts that cannot themselves be interrupted. In low-priority interrupt routines the floating-point registers should be pushed onto the stack.

Restrictions The RESTORE instruction cannot be used in any delay slots for pipelined operations. Doing so will yield invalid results. To avoid this, the proper number of NOPs or non-pipelined instructions must be inserted before the RESTORE operation.

```

; The following is INVALID
    MPYF32 R2H, R1H, R0H ; 2 pipeline-cycle instruction (2p)
    RESTORE                ; INVALID, do not use RESTORE in a delay slot

; The following is VALID
    MPYF32 R2H, R1H, R0H ; 2 pipeline-cycle instruction (2p)
    NOP                ; 1 delay cycle, R2H updated after this
instruction
    RESTORE                ; VALID

```

Flags Restoring the status register will overwrite all flags:

Flag	TF	ZI	NI	ZF	NF	LUF	LVF
Modified	Yes	Yes	Yes	Yes	Yes	Yes	Yes

Pipeline This is a single-cycle instruction.

Example

The following example shows a complete context save and restore for a high-priority interrupt. Note that the CPU automatically stores the following registers: ACC, P, XT, ST0, ST1, IER, DP, AR0, AR1 and PC. If an interrupt is low priority (that is it can be interrupted), then push the floating point registers onto the stack instead of using the SAVE and RESTORE operations.

```

; Interrupt Save
_HighestPriorityISR:          ; Uninterruptable
    ASP                      ; Align stack
    PUSH    RB               ; Save RB register if used in the ISR
    PUSH    AR1H:AR0H       ; Save other registers if used
    PUSH    XAR2
    PUSH    XAR3
    PUSH    XAR4
    PUSH    XAR5
    PUSH    XAR6
    PUSH    XAR7
    PUSH    XT
    SPM     0                ; Set default C28 modes CLRC AMODE CLRC PAGE0,OVM
    SAVE    RNDF32=1        ; Save all FPU registers
    ...                    ; set default FPU modes ...

; Interrupt Restore
    ...
    RESTORE                   ; Restore all FPU registers
    POP     XT                ; restore other registers
    POP     XAR7
    POP     XAR6
    POP     XAR5
    POP     XAR4
    POP     XAR3
    POP     XAR2
    POP     AR1H:AR0H
    POP     RB                ; restore RB register
    NASP                      ; un-align stack
    IRET                      ; return from interrupt

```

See also
[SAVE FLAG, VALUE](#)

RPTB label, loc16 *Repeat A Block of Code*

Operands

label	This label is used by the assembler to determine the end of the repeat block and to calculate RSIZE. This label should be placed immediately after the last instruction included in the repeat block.
loc16	16-bit location for the repeat count value.

Opcode

LSW: 1011 0101 0bbb bbbb
MSW: 0000 0000 loc16

Description

Initialize repeat block loop, repeat count from [loc16]

Restrictions

- The maximum block size is ≤ 127 16-bit words.
- An even aligned block must be ≥ 9 16-bit words.
- An odd aligned block must be ≥ 8 16-bit words.
- Interrupts must be disabled when saving or restoring the RB register.
- Repeat blocks cannot be nested.
- Any discontinuity type operation is not allowed inside a repeat block. This includes all call, branch or TRAP instructions. Interrupts are allowed.
- Conditional execution operations are allowed.

Flags

This instruction does not affect any flags in the floating-point unit:

Flag	TF	ZI	NI	ZF	NF	LUF	LVF
Modified	No	No	No	No	No	No	No

Pipeline

This instruction takes four cycles on the first iteration and zero cycles thereafter. No special pipeline alignment is required.

Example

The minimum size for the repeat block is 9 words if the block is even-aligned and 8 words if the block is odd-aligned. If you have a block of 8 words, as in the following example, you can make sure the block is odd-aligned by preceding it by a `.align 2` directive and a NOP instruction. The `.align 2` directive will make sure the NOP is even-aligned. Since a NOP is a 16-bit instruction the RPTB will be odd-aligned. For blocks of 9 or more words, this is not required.

```
; Repeat Block of 8 Words (Interruptible)
;
; find the largest element and put its address in XAR6
    .align 2

    NOP
    RPTB    VECTOR_MAX_END, AR7 ; Execute the block AR7+1 times
    MOVL   ACC, XAR0
    MOV32  R1H, *XAR0++          ; min size = 8, 9 words
    MAXF32 R0H, R1H             ; max size = 127 words
    MOVST0 NF, ZF
    MOVL   XAR6, ACC, LT

VECTOR_MAX_END:                    ; label indicates the end
                                    ; RA is cleared
```

When an interrupt is taken the repeat active (RA) bit in the RB register is automatically copied to the repeat active shadow (RAS) bit. When the interrupt exits, the RAS bit is automatically copied back to the RA bit. This allows the hardware to keep track if a repeat loop was active whenever an interrupt is taken and restore that state

automatically.

A high priority interrupt is defined as an interrupt that cannot itself be interrupted. In a high priority interrupt, the RB register must be saved if a RPTB block is used within the interrupt. If the interrupt service routine does not include a RPTB block, then you do not have to save the RB register.

```

; Repeat Block within a High-Priority Interrupt (Non-Interruptible)
;
; Interrupt:                ; RAS = RA, RA = 0
...
    PUSH    RB                ; Save RB register only if a RPTB block is used
in the
ISR
...
...
    RPTB    #BlockEnd, AL     ; Execute the block AL+1 times
...
...
BlockEnd                    ; End of block to be repeated
...
...
    POP     RB                ; Restore RB register
...
    IRET   ; RA = RAS, RAS = 0

```

A low-priority interrupt is defined as an interrupt that allows itself to be interrupted. The RB register must always be saved and restored in a low-priority interrupt. The RB register must be stored before interrupts are enabled. Likewise before restoring the RB register interrupts must first be disabled.

```

; Repeat Block within a Low-Priority Interrupt (Interruptible)
;
; Interrupt:                ; RAS = RA, RA = 0
...
    PUSH    RB                ; Always save RB register
...
    CLRC    INTM              ; Enable interrupts only after saving RB
...
...
...                          ; ISR may or may not include a RPTB block
...
...
    SETC    INTM              ; Disable interrupts before restoring RB
...
    POP     RB                ; Always restore RB register
...
    IRET   ; RA = RAS, RAS = 0

```

See also

[POP RB](#)
[PUSH RB](#)
[RPTB label, RC](#)

RPTB label, #RC Repeat a Block of Code

Operands

label	This label is used by the assembler to determine the end of the repeat block and to calculate RSIZE. This label should be placed immediately after the last instruction included in the repeat block.
#RC	16-bit immediate value for the repeat count.

Opcode

LSW: 1011 0101 1bbb bbbb
MSW: cccc cccc cccc cccc

Description

Repeat a block of code. The repeat count is specified as a immediate value.

Restrictions

- The maximum block size is ≤ 127 16-bit words.
- An even aligned block must be ≥ 9 16-bit words.
- An odd aligned block must be ≥ 8 16-bit words.
- Interrupts must be disabled when saving or restoring the RB register.
- Repeat blocks cannot be nested.
- Any discontinuity type operation is not allowed inside a repeat block. This includes all call, branch or TRAP instructions. Interrupts are allowed.
- Conditional execution operations are allowed.

Flags

This instruction does not affect any flags in the floating-point unit:

Flag	TF	ZI	NI	ZF	NF	LUF	LVF
Modified	No	No	No	No	No	No	No

Pipeline

This instruction takes one cycle on the first iteration and zero cycles thereafter. No special pipeline alignment is required.

Example

The minimum size for the repeat block is 8 words if the block is even aligned and 9 words if the block is odd aligned. If you have a block of 8 words, as in the following example, you can make sure the block is odd aligned by proceeding it by a `.align 2` directive and a NOP instruction. The `.align 2` directive will make sure the NOP is even aligned. Since a NOP is a 16-bit instruction the RPTB will be odd aligned. For blocks of 9 or more words, this is not required.

```

; Repeat Block (Interruptible)
;
; find the largest element and put its address in XAR6
    .align 2

    NOP
    RPTB    VECTOR_MAX_END, #(4-1) ; Execute the block 4 times
    MOVL   ACC, XAR0
    MOV32  R1H, *XAR0++           ; 8 or 9 words <= block size < 127 words
    MAXF32 R0H, R1H
    MOVST0 NF, ZF
    MOVL   XAR6, ACC, LT

VECTOR_MAX_END:
; RE indicates the end address
; RA is cleared

```

When an interrupt is taken the repeat active (RA) bit in the RB register is automatically copied to the repeat active shadow (RAS) bit. When the interrupt exits, the RAS bit is automatically copied back to the RA bit. This allows the hardware to keep track if a repeat loop was active whenever an interrupt is taken and restore that state

automatically.

A high priority interrupt is defined as an interrupt that cannot itself be interrupted. In a high priority interrupt, the RB register must be saved if a RPTB block is used within the interrupt. If the interrupt service routine does not include a RPTB block, then you do not have to save the RB register.

```

; Repeat Block (Interruptible)
;
; find the largest element and put its address in XAR6
    .align 2

    NOP
    RPTB    VECTOR_MAX_END, #(4-1) ; Execute the block 4 times
    MOVL   ACC,XAR0
    MOV32  R1H,*XAR0++             ; 8 or 9 words <= block size <= 127 words
    MAXF32 R0H,R1H
    MOVST0 NF,ZF
    MOVL   XAR6,ACC,LT

VECTOR_MAX_END:                    ; RE indicates the end address
                                   ; RA is cleared

```

A low-priority interrupt is defined as an interrupt that allows itself to be interrupted. The RB register must always be saved and restored in a low-priority interrupt. The RB register must stored before interrupts are enabled. Likewise before restoring the RB register interrupts must first be disabled.

```

; Repeat Block within a Low-Priority Interrupt (Interruptible)
;
; Interrupt:                        ; RAS = RA, RA = 0
    ...
    PUSH  RB                        ; Always save RB register
    ...
    CLRC  INTM                      ; Enable interrupts only after saving RB
    ...
    ...
    ...                               ; ISR may or may not include a RPTB block
    ...
    ...
    SETC  INTM                      ; Disable interrupts before restoring RB
    ...
    POP  RB                          ; Always restore RB register
    ...
    IRET                             ; RA = RAS, RAS = 0

```

See also

[POP RB](#)
[PUSH RB](#)
[RPTB #RSIZE, loc16](#)

SAVE FLAG, VALUE *Save Register Set to Shadow Registers and Execute SETFLG*

Operands

FLAG	11 bit mask indicating which floating-point status flags to change.
VALUE	11 bit mask indicating the flag value; 0 or 1.

Opcode

```
LSW: 1110 0110 01FF FFFF
MSW: FFFF FVVV VVVV VVVV
```

Description

This operation copies the current working floating-point register set (R0H to R7H and STF) to the shadow register set and combines the SETFLG FLAG, VALUE operation in a single cycle. The status register is copied to the shadow register before the flag values are changed. The STF[SHDWM] flag is set to 1 when the SAVE command has been executed. The SAVE and RESTORE instructions should be used in high-priority interrupts. That is interrupts that cannot themselves be interrupted. In low-priority interrupt routines the floating-point registers should be pushed onto the stack.

Restrictions

Do not use the SAVE instruction in the delay slots for pipelined operations. Doing so can yield invalid results. To avoid this, the proper number of NOPs or non-pipelined instructions must be inserted before the SAVE operation.

```
; The following is INVALID
MPYF32 R2H, R1H, R0H ; 2 pipeline-cycle instruction (2p)
SAVE RNDF32=1 ; INVALID, do not use SAVE in a delay slot

; The following is VALID
MPYF32 R2H, R1H, R0H ; 2 pipeline-cycle instruction (2p)
NOP ; 1 delay cycle, R2H updated after this
instruction
SAVE RNDF32=1 ; VALID
```

Flags

This instruction modifies the following flags in the STF register:

Flag	TF	ZI	NI	ZF	NF	LUF	LVF
Modified	Yes	Yes	Yes	Yes	Yes	Yes	Yes

Any flag can be modified by this instruction.

Pipeline

This is a single-cycle instruction.

Example

To make it easier and more legible, the assembler will accept a FLAG=VALUE syntax for the STFLG operation as shown below:

```
SAVE RNDF32=0, TF=1, ZF=0 ; FLAG = 01001000100, VALUE = X0XX0XXX1XX
MOVST0 TF, ZF, LUF ; Copy the indicated flags to ST0
; Note: X means this flag will not be
modified.
; The assembler will set these X values
to 0.
```

The following example shows a complete context save and restore for a high priority interrupt. Note that the CPU automatically stores the following registers: ACC, P, XT, ST0, ST1, IER, DP, AR0, AR1 and PC.

```

_HighestPriorityISR:
    ASP                                ; Align stack
    PUSH    RB                          ; Save RB register if used in the ISR
    PUSH    AR1H:AR0H                    ; Save other registers if used
    PUSH    XAR2
    PUSH    XAR3
    PUSH    XAR4
    PUSH    XAR5
    PUSH    XAR6
    PUSH    XAR7
    PUSH    XT
    SPM     0                            ; Set default C28 modes
    CLRC    AMODE
    CLRC    PAGE0,OVM
    SAVE    RNDF32=0                      ; Save all FPU registers
    ...                                       ; set default FPU modes
    ...
    ...
    RESTORE                               ; Restore all FPU registers
    POP     XT                            ; restore other registers
    POP     XAR7
    POP     XAR6
    POP     XAR5
    POP     XAR4
    POP     XAR3
    POP     XAR2
    POP     AR1H:AR0H
    POP     RB                            ; restore RB register
    NASP                                       ; un-align stack
    IRET                                   ; return from interrupt

```

See also

[RESTORE](#)
[SETFLG FLAG, VALUE](#)

SETFLG FLAG, VALUE *Set or clear selected floating-point status flags*

Operands

FLAG	11 bit mask indicating which floating-point status flags to change.
VALUE	11 bit mask indicating the flag value; 0 or 1.

Opcode

LSW: 1110 0110 00FF FFFF
MSW: FFFF FVVV VVVV VVVV

Description

The SETFLG instruction is used to set or clear selected floating-point status flags in the STF register. The FLAG field is an 11-bit value that indicates which flags will be changed. That is, if a FLAG bit is set to 1 it indicates that flag will be changed; all other flags will not be modified. The bit mapping of the FLAG field is shown below:

10	9	8	7	6	5	4	3	2	1	0
reserved	RNDF32	reserved	reserved	TF	ZI	NI	ZF	NF	LUF	LVF

The VALUE field indicates the value the flag should be set to; 0 or 1.

Restrictions

Do not use the SETFLG instruction in the delay slots for pipelined operations. Doing so can yield invalid results. To avoid this, the proper number of NOPs or non-pipelined instructions must be inserted before the SETFLG operation.

```
; The following is INVALID
MPYF32 R2H, R1H, R0H ; 2 pipeline-cycle instruction (2p)
SETFLG RNDF32=1      ; INVALID, do not use SETFLG in a delay slot

; The following is VALID
MPYF32 R2H, R1H, R0H ; 2 pipeline-cycle instruction (2p)
NOP                               ; 1 delay cycle, R2H updated after this
instruction
SETFLG RNDF32=1              ; VALID
```

Flags

This instruction modifies the following flags in the STF register:

Flag	TF	ZI	NI	ZF	NF	LUF	LVF
Modified	Yes	Yes	Yes	Yes	Yes	Yes	Yes

Any flag can be modified by this instruction.

Pipeline

This is a single-cycle instruction.

Example

To make it easier and legible, the assembler will accept a FLAG=VALUE syntax for the STFLG operation as shown below:

```
SETFLG RNDF32=0, TF=1, ZF=0 ; FLAG = 01001001000, VALUE = X0XX1XX0XXX
MOVST0 TF, ZF, LUF          ; Copy the indicated flags to ST0
                               ; X means this flag is not modified.
                               ; The assembler will set X values to 0
```

See also

[SAVE FLAG, VALUE](#)

SUBF32 RaH, RbH, RcH *32-bit Floating-Point Subtraction*

Operands

RaH	floating-point destination register (R0H to R1)
RbH	floating-point source register (R0H to R1)
RcH	floating-point source register (R0H to R1)

Opcode
 LSW: 1110 0111 0010 0000
 MSW: 0000 000c ccbb baaa

Description Subtract the contents of two floating-point registers

RaH = RbH - RcH

Flags This instruction modifies the following flags in the STF register:

Flag	TF	ZI	NI	ZF	NF	LUF	LVF
Modified	No	No	No	No	No	Yes	Yes

The STF register flags are modified as follows:

- LUF = 1 if MPYF32 generates an underflow condition.
- LVF = 1 if MPYF32 generates an overflow condition.

Pipeline This is a 2 pipeline cycle (2p) instruction. That is:

```

SUBF32 RaH, RbH, RcH ; 2 pipeline cycles (2p)
NOP                   ; 1 cycle delay or non-conflicting instruction
                       ; <-- SUBF32 completes, RaH updated
NOP
  
```

Any instruction in the delay slot must not use RaH as a destination register or as a source operand.

Example Calculate Y - A + B - C:

```

MOVL   XAR4, #A
MOV32  R0H, *XAR4      ; Load R0H with A
MOVL   XAR4, #B
MOV32  R1H, *XAR4      ; Load R1H with B
MOVL   XAR4, #C
ADDF32 R0H,R1H,R0H     ; Add A + B and in parallel
|| MOV32 R2H,*XAR4      ; Load R2H with C
                       ; <-- MOV32 complete
MOVL   XAR4,#_xt
                       ; <-- ADDF32 complete
SUBF32 R0H,R0H,R2H     ; Subtract C from (A + B)
NOP
                       ; <-- SUBF32 completes
MOV32  *XAR4,R0H      ; Store the result
  
```

See also [SUBF32 RaH, #16FHi, RbH](#)
[SUBF32 RdH, ReH, RfH || MOV32 RaH, mem32](#)
[SUBF32 RdH, ReH, RfH || MOV32 mem32, RaH](#)
[MPYF32 RaH, RbH, RcH || SUBF32 RdH, ReH, RfH](#)

SUBF32 RaH, #16FHi, RbH 32-bit Floating Point Subtraction

Operands

RaH	floating-point destination register (R0H to R1)
#16FHi	A 16-bit immediate value that represents the upper 16-bits of an IEEE 32-bit floating-point value. The low 16-bits of the mantissa are assumed to be all 0.
RbH	floating-point source register (R0H to R1)

Opcode

```
LSW: 1110 1000 11II IIII
MSW: IIII IIII IIbb baaa
```

Description

Subtract RbH from the floating-point value represented by the immediate operand. Store the result of the addition in RaH.

#16FHi is a 16-bit immediate value that represents the upper 16-bits of an IEEE 32-bit floating-point value. The low 16-bits of the mantissa are assumed to be all 0. #16FHi is most useful for representing constants where the lowest 16-bits of the mantissa are 0. Some examples are 2.0 (0x40000000), 4.0 (0x40800000), 0.5 (0x3F000000), and -1.5 (0xBF000000). The assembler will accept either a hex or float as the immediate value. That is, the value -1.5 can be represented as #-1.5 or #0xBF000000.

RaH = #16FHi:0 - RbH

Flags

This instruction modifies the following flags in the STF register:

Flag	TF	ZI	NI	ZF	NF	LUF	LVF
Modified	No	No	No	No	No	Yes	Yes

The STF register flags are modified as follows:

- LUF = 1 if MPYF32 generates an underflow condition.
- LVF = 1 if MPYF32 generates an overflow condition.

Pipeline

This is a 2 pipeline cycle (2p) instruction. That is:

```
SUBF32 RaH, #16FHi, RbH ; 2 pipeline cycles (2p)
NOP                       ; 1 cycle delay or non-conflicting instruction
                           ; <-- SUBF32 completes, RaH updated
NOP
```

Any instruction in the delay slot must not use RaH as a destination register or as a source operand.

Example

Calculate $Y = 2.0 - (A + B)$:

```
MOVL   XAR4, #A
MOV32  R0H, *XAR4      ; Load R0H with A
MOVL   XAR4, #B
MOV32  R1H, *XAR4      ; Load R1H with B
ADDF32 R0H,R1H,R0H     ; Add A + B and in parallel
NOP
                           ; <-- ADDF32 complete
SUBF32 R0H,#2.0,R2H    ; Subtract (A + B) from 2.0
NOP
                           ; <-- SUBF32 completes
MOV32  *XAR4,R0H      ; Store the result
```

See also

[SUBF32 RaH, RbH, RcH](#)
[SUBF32 RdH, ReH, RfH || MOV32 RaH, mem32](#)
[SUBF32 RdH, ReH, RfH || MOV32 mem32, RaH](#)
[MPYF32 RaH, RbH, RcH || SUBF32 RdH, ReH, RfH](#)

SUBF32 RdH, ReH, RfH || MOV32 RaH, mem32 32-bit Floating-Point Subtraction with Parallel Move

Operands

RdH	floating-point destination register (R0H to R7H) for the SUBF32 operation RdH cannot be the same register as RaH
ReH	floating-point source register (R0H to R7H) for the SUBF32 operation
RfH	floating-point source register (R0H to R7H) for the SUBF32 operation
RaH	floating-point destination register (R0H to R7H) for the MOV32 operation RaH cannot be the same register as RdH
mem32	pointer to 32-bit source memory location for the MOV32 operation

Opcode LSW: 1110 0011 0010 fffe
 MSW: eedd daaa mem32

Description Subtract the contents of two floating-point registers and move from memory to a floating-point register.

RdH = ReH - RfH,
 RaH = [mem32]

Restrictions The destination register for the SUBF32 and the MOV32 must be unique. That is, RaH cannot be the same register as RdH.

Flags This instruction modifies the following flags in the STF register:

Flag	TF	ZI	NI	ZF	NF	LUF	LVF
Modified	No	Yes	Yes	Yes	Yes	Yes	Yes

The STF register flags are modified as follows:

- LUF = 1 if SUBF32 generates an underflow condition.
- LVF = 1 if SUBF32 generates an overflow condition.

The MOV32 Instruction will set the NF, ZF, NI and ZI flags as follows:

```
NF = RaH(31);
ZF = 0;
if(RaH(30:23) == 0) { ZF = 1; NF = 0; }
NI = RaH(31);
ZI = 0;
if(RaH(31:0) == 0) ZI = 1;
```

Pipeline SUBF32 is a 2 pipeline-cycle instruction (2p) and MOV32 takes a single cycle. That is:

```

SUBF32  RdH, ReH, RfH  ; 2 pipeline cycles (2p)
||      MOV32  RaH, mem32 ; 1 cycle
           ; <-- MOV32 completes, RaH updated
NOP     ; 1 cycle delay or non-conflicting instruction
           ; <-- SUBF32 completes, RdH updated
NOP
```

Any instruction in the delay slot must not use RdH as a destination register or as a source operand.

Example

```

MOV32  XAR1, #0xC000 ; XAR1 = 0xC000
SUBF32 R0H, R1H, R2H ; (A) R0H = R1H - R2H
|| MOV32  R3H, *XAR1 ;
; <-- R3H valid
MOV32  R4H, *+XAR1[2] ;
; <-- (A) completes, R0H valid, R4H valid
ADDF32 R5H, R4H, R3H ; (B) R5H = R4H + R3H
|| MOV32  *+XAR1[4], R0H ;
; <-- R0H stored
MOV32  XAR2, #0xE000 ;
; <-- (B) completes, R5H valid
MOV32  *XAR2, R5H ;
; <-- R5H stored

```

See also

[SUBF32 RaH, RbH, RcH](#)
[SUBF32 RaH, #16FHi, RbH](#)
[MPYF32 RaH, RbH, RcH || SUBF32 RdH, ReH, RfH](#)

SUBF32 RdH, ReH, RfH || MOV32 mem32, RaH 32-bit Floating-Point Subtraction with Parallel Move
Operands

RdH	floating-point destination register (R0H to R7H) for the SUBF32 operation
ReH	floating-point source register (R0H to R7H) for the SUBF32 operation
RfH	floating-point source register (R0H to R7H) for the SUBF32 operation
mem32	pointer to 32-bit destination memory location for the MOV32 operation
RaH	floating-point source register (R0H to R7H) for the MOV32 operation

Opcode

```
LSW: 1110 0000 0010 fffe
MSW: eedd daaa mem32
```

Description

Subtract the contents of two floating-point registers and move from a floating-point register to memory.

```
RdH = ReH - RfH,
[mem32] = RaH
```

Flags

This instruction modifies the following flags in the STF register: [SUBF32 RdH, ReH, RfH || MOV32 RaH, mem32](#)

Flag	TF	ZI	NI	ZF	NF	LUF	LVF
Modified	No	No	No	No	No	Yes	Yes

The STF register flags are modified as follows:

- LUF = 1 if SUBF32 generates an underflow condition.
- LVF = 1 if SUBF32 generates an overflow condition.

Pipeline

SUBF32 is a 2 pipeline-cycle instruction (2p) and MOV32 takes a single cycle. That is:

```

SUBF32 RdH, ReH, RfH ; 2 pipeline cycles (2p)
|| MOV32 mem32, RaH ; 1 cycle
; <-- MOV32 completes, mem32 updated
NOP ; 1 cycle delay or non-conflicting instruction
; <-- ADDF32 completes, RdH updated
NOP
```

Any instruction in the delay slot must not use RdH as a destination register or as a source operand.

Example

```

ADDF32 R3H, R6H, R4H ; (A) R3H = R6H + R4H and R7H = I3
|| MOV32 R7H, *-SP[2] ;
; <-- R7H valid SUBF32 R6H, R6H, R4H
; (B) R6H = R6H - R4H
; <-- ADDF32 (A) completes, R3H valid
|| SUBF32 R3H, R1H, R7H ; (C) R3H = R1H - R7H and store R3H (A)
MOV32 *+XAR5[2], R3H ;
; <-- SUBF32 (B) completes, R6H valid
; <-- MOV32 completes, (A) stored
ADDF32 R4H, R7H, R1H ; R4H = D = R7H + R1H and store R6H (B)
|| MOV32 *+XAR5[6], R6H ;
; <-- SUBF32 (C) completes, R3H valid
; <-- MOV32 completes, (B) stored
MOV32 *+XAR5[0], R3H ; store R3H (C)
; <-- MOV32 completes, (C) stored
; <-- ADDF32 (D) completes, R4H valid
MOV32 *+XAR5[4], R4H ; store R4H (D)
; <-- MOV32 completes, (D) stored
```

See also

SUBF32 RaH, RbH, RcH
SUBF32 RaH, #16FHi, RbH
SUBF32 RdH, ReH, RfH || MOV32 RaH, mem32
MPYF32 RaH, RbH, RcH || SUBF32 RdH, ReH, RfH

SWAPF RaH, RbH{, CNDF} *Conditional Swap*

Operands

RaH	floating-point register (R0H to R7H)
RbH	floating-point register (R0H to R7H)
CNDF	condition tested

Opcode
 LSW: 1110 0110 1110 CNDF
 MSW: 0000 0000 00bb baaa

Description Conditional swap of RaH and RbH.

if (CNDF == true) swap RaH and RbH

CNDF is one of the following conditions:

Encode ⁽¹⁾	CNDF	Description	STF Flags Tested
0000	NEQ	Not equal to zero	ZF == 0
0001	EQ	Equal to zero	ZF == 1
0010	GT	Greater than zero	ZF == 0 AND NF == 0
0011	GEQ	Greater than or equal to zero	NF == 0
0100	LT	Less than zero	NF == 1
0101	LEQ	Less than or equal to zero	ZF == 1 AND NF == 1
1010	TF	Test flag set	TF == 1
1011	NTF	Test flag not set	TF == 0
1100	LU	Latched underflow	LUF == 1
1101	LV	Latched overflow	LVF == 1
1110	UNC	Unconditional	None
1111	UNCF ⁽²⁾	Unconditional with flag modification	None

⁽¹⁾ Values not shown are reserved.

⁽²⁾ This is the default operation if no CNDF field is specified. This condition will allow the ZF, NF, ZI, and NI flags to be modified when a conditional operation is executed. All other conditions will not modify these flags.

Flags This instruction modifies the following flags in the STF register:

Flag	TF	ZI	NI	ZF	NF	LUF	LVF
Modified	No	No	No	No	No	No	No

No flags affected

Pipeline This is a single-cycle instruction.

Example

```

;find the largest element and put it in R1H

        MOVL   XAR1, #0xB000   ;
        MOV32  R1H, *XAR1     ; Initialize R1H
        .align 2

        NOP
        RPTB   LOOP_END, #(10-1); Execute the block 10 times
        MOV32  R2H, *XAR1++   ; Update R2H with next element
        CMPF32 R2H, R1H      ; Compare R2H with R1H
        SWAPF  R1H, R2H, GT   ; Swap R1H and R2H if R2 > R1
        NOP    ; For minimum repeat block size
        NOP    ; For minimum repeat block size
        LOOP_END:

```

TESTTF CNDF *Test STF Register Flag Condition*

Operands

CNDF	condition to test
------	-------------------

Opcode LSW: 1110 0101 1000 CNDF

Description Test the floating-point condition and if true, set the TF flag. If the condition is false, clear the TF flag. This is useful for temporarily storing a condition for later use.

```
if (CNDF == true) TF = 1; else TF = 0;
```

CNDF is one of the following conditions:

Encode ⁽¹⁾	CNDF	Description	STF Flags Tested
0000	NEQ	Not equal to zero	ZF == 0
0001	EQ	Equal to zero	ZF == 1
0010	GT	Greater than zero	ZF == 0 AND NF == 0
0011	GEQ	Greater than or equal to zero	NF == 0
0100	LT	Less than zero	NF == 1
0101	LEQ	Less than or equal to zero	ZF == 1 AND NF == 1
1010	TF	Test flag set	TF == 1
1011	NTF	Test flag not set	TF == 0
1100	LU	Latched underflow	LUF == 1
1101	LV	Latched overflow	LVF == 1
1110	UNC	Unconditional	None
1111	UNCF ⁽²⁾	Unconditional with flag modification	None

⁽¹⁾ Values not shown are reserved.

⁽²⁾ This is the default operation if no CNDF field is specified. This condition will allow the ZF, NF, ZI, and NI flags to be modified when a conditional operation is executed. All other conditions will not modify these flags.

Flags This instruction modifies the following flags in the STF register:

Flag	TF	ZI	NI	ZF	NF	LUF	LVF
Modified	Yes	No	No	No	No	No	No

```
TF = 0; if (CNDF == true) TF = 1;
```

Note: If (CNDF == UNC or UNCF), the TF flag will be set to 1.

Pipeline This is a single-cycle instruction.

Example

```

CMPF32 R0H, #0.0      ; Compare R0H against 0
TESTTF  LT            ; Set TF if R0H less than 0 (NF == 0)
ABS     R0H, R0H      ; Get the absolute value of R0H

; Perform calculations based on ABS R0H
MOVS   T0 TF          ; Copy TF to TC in ST0
SBF    End, NTC       ; Branch to end if TF was not set
NEGF32 R0H, R0H

End

```

See also

UI16TOF32 RaH, mem16 *Convert unsigned 16-bit integer to 32-bit floating-point value*

Operands

RaH	floating-point destination register (R0H to R7H)
mem16	pointer to 16-bit source memory location

Opcode LSW: 1110 0010 1100 1000
MSW: 0000 0aaa mem16

Description RaH = UI16ToF32[mem16]

Flags This instruction does not affect any flags:

Flag	TF	ZI	NI	ZF	NF	LUF	LVF
Modified	No	No	No	No	No	No	No

Pipeline This is a 2 pipeline cycle (2p) instruction. That is:

```

UI16TOF32 RaH, mem16    ; 2 pipeline cycles (2p)
NOP                      ; 1 cycle delay or non-conflicting instruction
                          ; <-- UI16TOF32 completes, RaH updated
NOP
  
```

Any instruction in the delay slot must not use RaH as a destination register or as a source operand.

Example

```

; float32 y,m,b;
; AdcRegs.RESULT0 is an unsigned int
; Calculate: y = (float)AdcRegs.ADCRESULT0 * m + b;
;
MOVW    DP @0x01C4
UI16TOF32 R0H, @8        ; R0H = (float)AdcRegs.RESULT0
MOV32   R1H, *-SP[6]     ; R1H = M
                          ; <-- Conversion complete, R0H valid
MPYF32  R0H, R1H, R0H    ; R0H = (float)X * M
MOV32   R1H, *-SP[8]     ; R1H = B
                          ; <-- MPYF32 complete, R0H valid
ADDF32  R0H, R0H, R1H    ; R0H = Y = (float)X * M + B
NOP
                          ; <-- ADDF32 complete, R0H valid
MOV32   *-[SP], R0H     ; Store Y
  
```

See also

[F32TOI16 RaH, RbH](#)
[F32TOI16R RaH, RbH](#)
[F32TOUI16 RaH, RbH](#)
[F32TOUI16R RaH, RbH](#)
[I16TOF32 RaH, RbH](#)
[I16TOF32 RaH, mem16](#)
[UI16TOF32 RaH, RbH](#)

UI16TOF32 RaH, RbH *Convert unsigned 16-bit integer to 32-bit floating-point value*

Operands

RaH	floating-point destination register (R0H to R7H)
RbH	floating-point source register (R0H to R7H)

Opcode

LSW: 1110 0110 1000 1111
MSW: 0000 0000 00bb baaa

Description

RaH = UI16ToF32[RbH]

Flags

This instruction does not affect any flags:

Flag	TF	ZI	NI	ZF	NF	LUF	LVF
Modified	No	No	No	No	No	No	No

Pipeline

This is a 2 pipeline cycle (2p) instruction. That is:

```

UI16TOF32 RaH, RbH      ; 2 pipeline cycles (2p)
NOP                      ; 1 cycle delay or non-conflicting instruction
                          ; <-- UI16TOF32 completes, RaH updated
NOP

```

Any instruction in the delay slot must not use RaH as a destination register or as a source operand.

Example

```

MOVXI    R5H, #0x800F    ; R5H[15:0] = 32783 (0x800F)
UI16TOF32 R6H, R5H      ; R6H = UI16TOF32 (R5H[15:0])
NOP                      ; 1 cycle delay for UI16TOF32 to complete
                          ; R6H = 32783.0 (0x47000F00)

```

See also

[F32TOI16 RaH, RbH](#)
[F32TOI16R RaH, RbH](#)
[F32TOUI16 RaH, RbH](#)
[F32TOUI16R RaH, RbH](#)
[I16TOF32 RaH, RbH](#)
[I16TOF32 RaH, mem16](#)
[UI16TOF32 RaH, mem16](#)

UI32TOF32 RaH, mem32 *Convert Unsigned 32-bit Integer to 32-bit Floating-Point Value*

Operands

RaH	floating-point destination register (R0H to R7H)
mem32	pointer to 32-bit source memory location

Opcode LSW: 1110 0010 1000 0100
MSW: 0000 0aaa mem32

Description RaH = UI32ToF32[mem32]

Flags This instruction does not affect any flags:

Flag	TF	ZI	NI	ZF	NF	LUF	LVF
Modified	No	No	No	No	No	No	No

Pipeline This is a 2 pipeline cycle (2p) instruction. That is:

```

UI32TOF32 RaH, mem32    ; 2 pipeline cycles (2p)
NOP                      ; 1 cycle delay non-conflicting instruction
                          ; <-- UI32TOF32 completes, RaH updated
NOP

```

Any instruction in the delay slot must not use RaH as a destination register or as a source operand.

Example

```

; unsigned long X
; float Y, M, B
; ...
; Calculate Y = (float)X * M + B
;
UI32TOF32 R0H, *-SP[2]   ; R0H = (float)X
MOV32     R1H, *-SP[6]   ; R1H = M
                          ; <-- Conversion complete, R0H valid
MPYF32   R0H, R1H, R0H   ; R0H = (float)X * M
MOV32    R1H, *-SP[8]   ; R1H = B
                          ; <-- MPYF32 complete, R0H valid
ADDF32   R0H, R0H, R1H   ; R0H = Y = (float)X * M + B
NOP      ; <-- ADDF32 complete, R0H valid
MOV32    *-[SP], R0H     ; Store Y

```

See also

[F32TOI32 RaH, RbH](#)
[F32TOUI32 RaH, RbH](#)
[I32TOF32 RaH, mem32](#)
[I32TOF32 RaH, RbH](#)
[UI32TOF32 RaH, RbH](#)

UI32TOF32 RaH, RbH *Convert Unsigned 32-bit Integer to 32-bit Floating-Point Value*

Operands

RaH	floating-point destination register (R0H to R7H)
RbH	floating-point source register (R0H to R7H)

Opcode LSW: 1110 0110 1000 1011
MSW: 0000 0000 00bb baaa

Description RaH = UI32ToF32 [RbH]

Flags This instruction does not affect any flags:

Flag	TF	ZI	NI	ZF	NF	LUF	LVF
Modified	No	No	No	No	No	No	No

Pipeline This is a 2 pipeline cycle (2p) instruction. That is:

```

UI32TOF32 RaH, RbH      ; 2 pipeline cycles (2p)
NOP                      ; 1 cycle delay or non-conflicting instruction
                          ; <-- UI32TOF32 completes, RaH updated
NOP

```

Any instruction in the delay slot must not use RaH as a destination register or as a source operand.

Example

```

MOVIZ    R3H, #0x8000    ; R3H[31:16] = 0x8000
MOVXI    R3H, #0x1111    ; R3H[15:0] = 0x1111
                          ; R3H = 2147488017
UI32TOF32 R4H, R3H      ; R4H = UI32TOF32 (R3H)
NOP                      ; 1 cycle delay for UI32TOF32 to complete
                          ; R4H = 2147488017.0 (0x4F000011)

```

See also

[F32TOI32 RaH, RbH](#)
[F32TOUI32 RaH, RbH](#)
[I32TOF32 RaH, mem32](#)
[I32TOF32 RaH, RbH](#)
[UI32TOF32 RaH, mem32](#)

ZERO RaH *Zero the Floating-Point Register RaH*

Operands

RaH	floating-point register (R0H to R7H)
-----	--------------------------------------

Opcode LSW: 1110 0101 1001 0aaa

Description Zero the indicated floating-point register:
RaH = 0

Flags This instruction modifies the following flags in the STF register:

Flag	TF	ZI	NI	ZF	NF	LUF	LVF
Modified	No	No	No	No	No	No	No

No flags affected.

Pipeline This is a single-cycle instruction.

Example

```

;for(i = 0; i < n; i++)
;{
; real += (x[2*i] * y[2*i]) - (x[2*i+1] * y[2*i+1]);
; imag += (x[2*i] * y[2*i+1]) + (x[2*i+1] * y[2*i]);
;}
;Assume AR7 = n-1

        ZERO    R4H           ; R4H = real = 0
        ZERO    R5H           ; R5H = imag = 0
LOOP
        MOV     AL, AR7
        MOV     ACC, AL << 2
        MOV     AR0, ACC
        MOV32   R0H, **XAR4[AR0] ; R0H = x[2*i]
        MOV32   R1H, **XAR5[AR0] ; R1H = y[2*i]
        ADD     AR0, #2
        MPYF32  R6H, R0H, R1H   ; R6H = x[2*i] * y[2*i]
||       MOV32   R2H, **XAR4[AR0] ; R2H = x[2*i+1]
        MPYF32  R1H, R1H, R2H   ; R1H = y[2*i] * x[2*i+2]
||       MOV32   R3H, **XAR5[AR0] ; R3H = y[2*i+1]
        MPYF32  R2H, R2H, R3H   ; R2H = x[2*i+1] * y[2*i+1]
||       ADDF32  R4H, R4H, R6H   ; R4H += x[2*i] * y[2*i]
        MPYF32  R0H, R0H, R3H   ; R0H = x[2*i] * y[2*i+1]
||       ADDF32  R5H, R5H, R1H   ; R5H += y[2*i] * x[2*i+2]
        SUBF32  R4H, R4H, R2H   ; R4H -= x[2*i+1] * y[2*i+1]
        ADDF32  R5H, R5H, R0H   ; R5H += x[2*i] * y[2*i+1]
        BANZ   LOOP, AR7--

```

See also [ZEROA](#)

ZEROA *Zero All Floating-Point Registers*

Operands

none

Opcode LSW: 1110 0101 0110 0011

Description Zero all floating-point registers:

```
R0H = 0
R1H = 0
R2H = 0
R3H = 0
R4H = 0
R5H = 0
R6H = 0
R7H = 0
```

Flags This instruction modifies the following flags in the STF register:

Flag	TF	ZI	NI	ZF	NF	LUF	LVF
Modified	No	No	No	No	No	No	No

No flags affected.

Pipeline This is a single-cycle instruction.

Example

```
;for(i = 0; i < n; i++)
;{
; real += (x[2*i] * y[2*i]) - (x[2*i+1] * y[2*i+1]);
; imag += (x[2*i] * y[2*i+1]) + (x[2*i+1] * y[2*i]);
;}
;Assume AR7 = n-1

        ZEROA                ; Clear all RaH registers
LOOP
MOV     AL, AR7
MOV     ACC, AL << 2
MOV     AR0, ACC
MOV32  R0H, *+XAR4[AR0] ; R0H = x[2*i]
MOV32  R1H, *+XAR5[AR0] ; R1H = y[2*i]
ADD     AR0,#2
MPYF32 R6H, R0H, R1H    ; R6H = x[2*i] * y[2*i]
||     MOV32  R2H, *+XAR4[AR0] ; R2H = x[2*i+1]
MPYF32 R1H, R1H, R2H    ; R1H = y[2*i] * x[2*i+2]
||     MOV32  R3H, *+XAR5[AR0] ; R3H = y[2*i+1]
MPYF32 R2H, R2H, R3H    ; R2H = x[2*i+1] * y[2*i+1]
||     ADDF32  R4H, R4H, R6H    ; R4H += x[2*i] * y[2*i]
MPYF32 R0H, R0H, R3H    ; R0H = x[2*i] * y[2*i+1]
||     ADDF32  R5H, R5H, R1H    ; R5H += y[2*i] * x[2*i+2]
SUBF32 R4H, R4H, R2H    ; R4H -= x[2*i+1] * y[2*i+1]
ADDF32 R5H, R5H, R0H    ; R5H += x[2*i] * y[2*i+1]
BANZ   LOOP, AR7--
```

See also [ZERO RaH](#)

Revision History

A.1 Changes

This revision history lists the technical changes made in the most recent revision.

Table A-1. Technical Changes Made in This Revision

Location	Additions, Deletions, Modifications
MACF32R7HR3Hmem32XAR7	Modified the MACF32 R7H, R3H instructions; *XAR7 to *XAR7++; modified the description
RPTBRSIZEloc16	Modified the paragraph beginning "The minimum size for the repeat block..."
I16TOF32RaHmem16	Changed the Opcode LSW values
MACF32R7HR3Hmem32XAR7	Changed the Opcode MSW values; other typos
UI16TOF32RaHmem16	Delete the first sentence of the description; kept only RaH = UI16TOF32[mem16]
UI16TOF32RaHRbH	Delete the first sentence of the description; kept only RaH = UI16ToF32[RbH]
UI32TOF32RaHRbH	In the description, changed Rbh to [RbH]

IMPORTANT NOTICE

Texas Instruments Incorporated and its subsidiaries (TI) reserve the right to make corrections, enhancements, improvements and other changes to its semiconductor products and services per JESD46, latest issue, and to discontinue any product or service per JESD48, latest issue. Buyers should obtain the latest relevant information before placing orders and should verify that such information is current and complete. All semiconductor products (also referred to herein as "components") are sold subject to TI's terms and conditions of sale supplied at the time of order acknowledgment.

TI warrants performance of its components to the specifications applicable at the time of sale, in accordance with the warranty in TI's terms and conditions of sale of semiconductor products. Testing and other quality control techniques are used to the extent TI deems necessary to support this warranty. Except where mandated by applicable law, testing of all parameters of each component is not necessarily performed.

TI assumes no liability for applications assistance or the design of Buyers' products. Buyers are responsible for their products and applications using TI components. To minimize the risks associated with Buyers' products and applications, Buyers should provide adequate design and operating safeguards.

TI does not warrant or represent that any license, either express or implied, is granted under any patent right, copyright, mask work right, or other intellectual property right relating to any combination, machine, or process in which TI components or services are used. Information published by TI regarding third-party products or services does not constitute a license to use such products or services or a warranty or endorsement thereof. Use of such information may require a license from a third party under the patents or other intellectual property of the third party, or a license from TI under the patents or other intellectual property of TI.

Reproduction of significant portions of TI information in TI data books or data sheets is permissible only if reproduction is without alteration and is accompanied by all associated warranties, conditions, limitations, and notices. TI is not responsible or liable for such altered documentation. Information of third parties may be subject to additional restrictions.

Resale of TI components or services with statements different from or beyond the parameters stated by TI for that component or service voids all express and any implied warranties for the associated TI component or service and is an unfair and deceptive business practice. TI is not responsible or liable for any such statements.

Buyer acknowledges and agrees that it is solely responsible for compliance with all legal, regulatory and safety-related requirements concerning its products, and any use of TI components in its applications, notwithstanding any applications-related information or support that may be provided by TI. Buyer represents and agrees that it has all the necessary expertise to create and implement safeguards which anticipate dangerous consequences of failures, monitor failures and their consequences, lessen the likelihood of failures that might cause harm and take appropriate remedial actions. Buyer will fully indemnify TI and its representatives against any damages arising out of the use of any TI components in safety-critical applications.

In some cases, TI components may be promoted specifically to facilitate safety-related applications. With such components, TI's goal is to help enable customers to design and create their own end-product solutions that meet applicable functional safety standards and requirements. Nonetheless, such components are subject to these terms.

No TI components are authorized for use in FDA Class III (or similar life-critical medical equipment) unless authorized officers of the parties have executed a special agreement specifically governing such use.

Only those TI components which TI has specifically designated as military grade or "enhanced plastic" are designed and intended for use in military/aerospace applications or environments. Buyer acknowledges and agrees that any military or aerospace use of TI components which have **not** been so designated is solely at the Buyer's risk, and that Buyer is solely responsible for compliance with all legal and regulatory requirements in connection with such use.

TI has specifically designated certain components as meeting ISO/TS16949 requirements, mainly for automotive use. In any case of use of non-designated products, TI will not be responsible for any failure to meet ISO/TS16949.

Products

Audio	www.ti.com/audio
Amplifiers	amplifier.ti.com
Data Converters	dataconverter.ti.com
DLP® Products	www.dlp.com
DSP	dsp.ti.com
Clocks and Timers	www.ti.com/clocks
Interface	interface.ti.com
Logic	logic.ti.com
Power Mgmt	power.ti.com
Microcontrollers	microcontroller.ti.com
RFID	www.ti-rfid.com
OMAP Applications Processors	www.ti.com/omap
Wireless Connectivity	www.ti.com/wirelessconnectivity

Applications

Automotive and Transportation	www.ti.com/automotive
Communications and Telecom	www.ti.com/communications
Computers and Peripherals	www.ti.com/computers
Consumer Electronics	www.ti.com/consumer-apps
Energy and Lighting	www.ti.com/energy
Industrial	www.ti.com/industrial
Medical	www.ti.com/medical
Security	www.ti.com/security
Space, Avionics and Defense	www.ti.com/space-avionics-defense
Video and Imaging	www.ti.com/video

TI E2E Community

e2e.ti.com