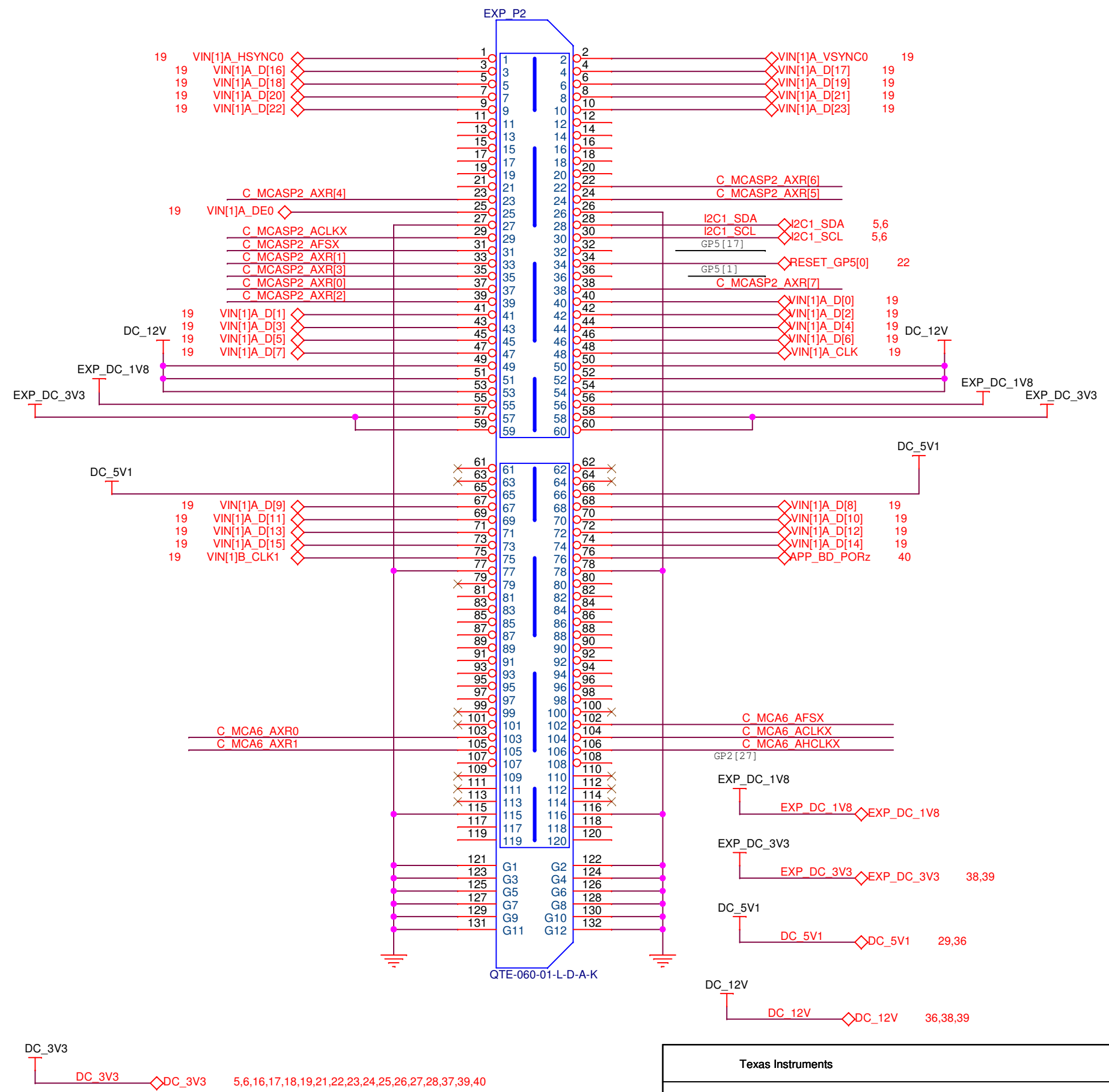
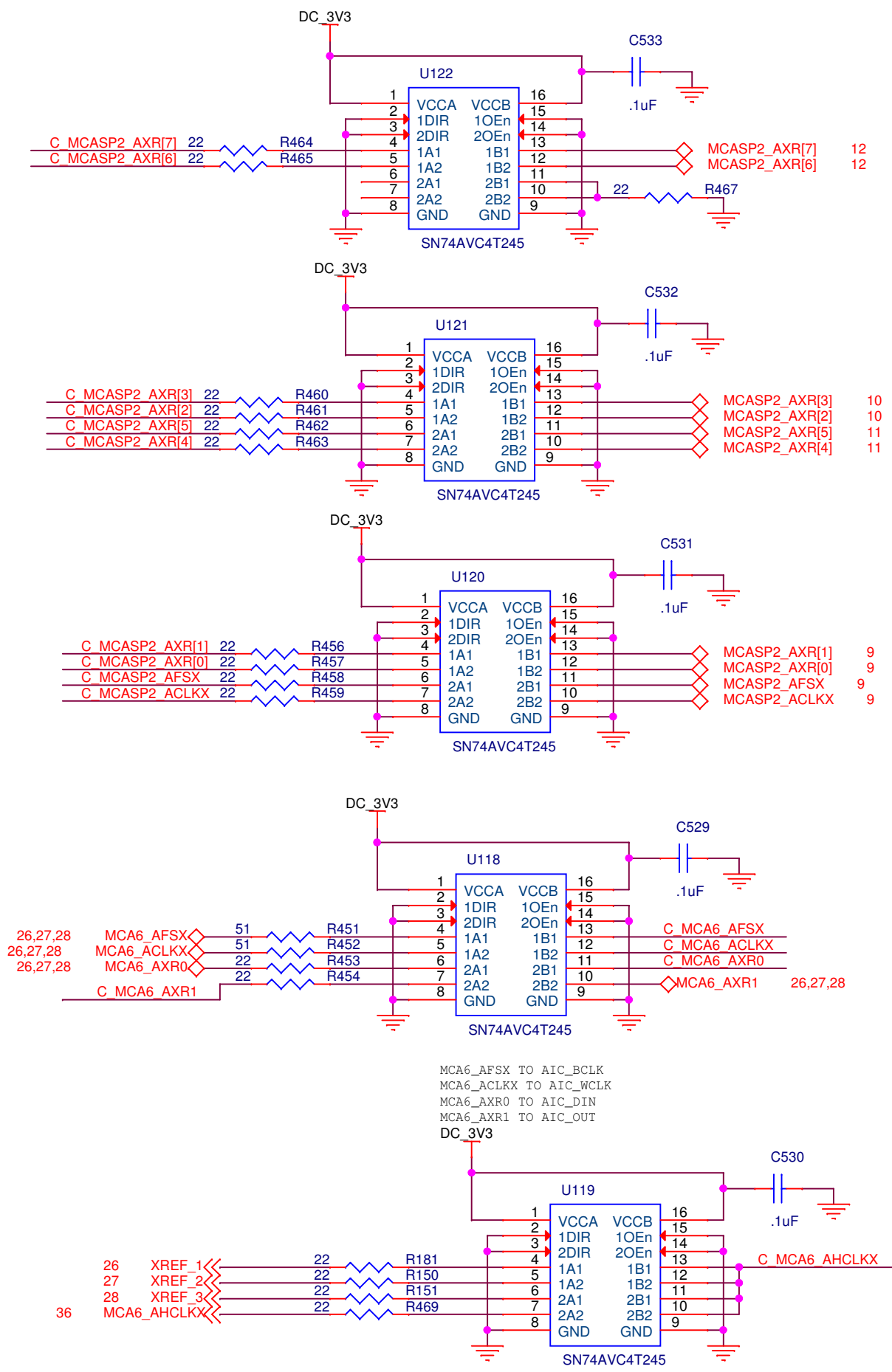


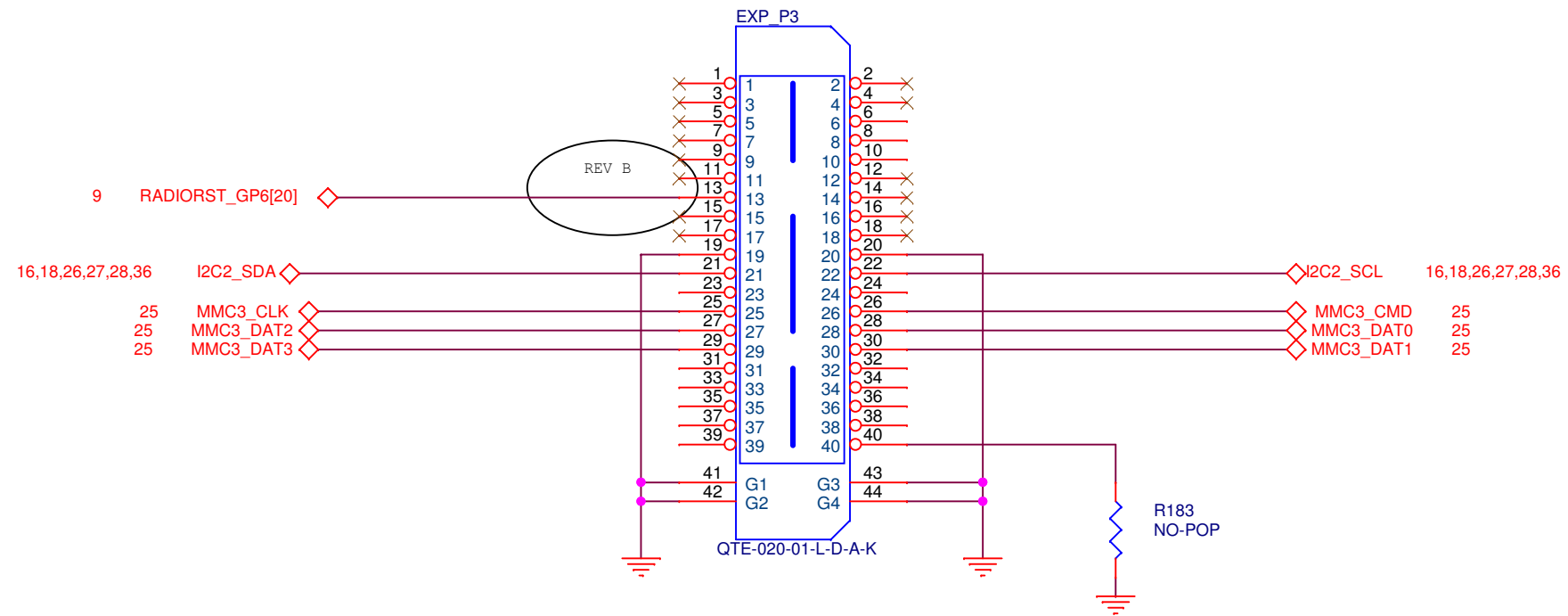
xref_clk0 mcasep5_ahclkx gpio6_17

McASP5	vin5a_d[11]
mcasep5_aclkx	vin5a_d[10]
mcasep5_fsx	vin5a_d[9]
mcasep5_axr[0]	vin5a_d[8]
mcasep5_axr[1]	

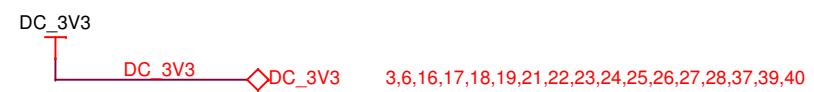
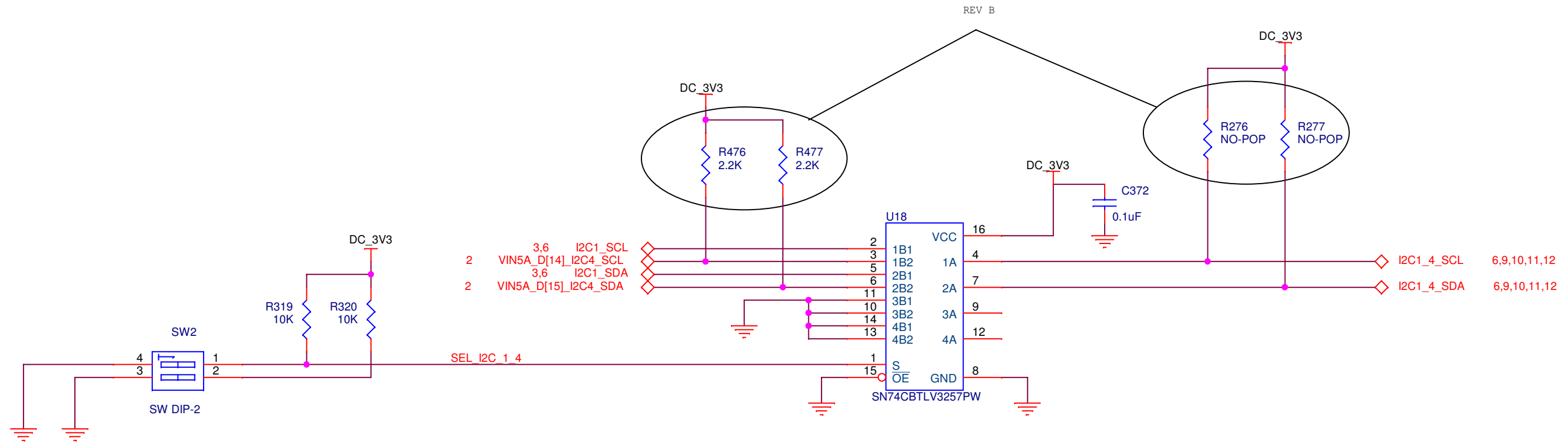
Texas Instruments		
Title: JAMR 3 APPLICATION BOARD		
Page Contents: INTERFACE CONN1		
Size: B	DWG NO 517182-0001	Revision: A
Date: Tuesday, January 12, 2016	Sheet 2 of	40



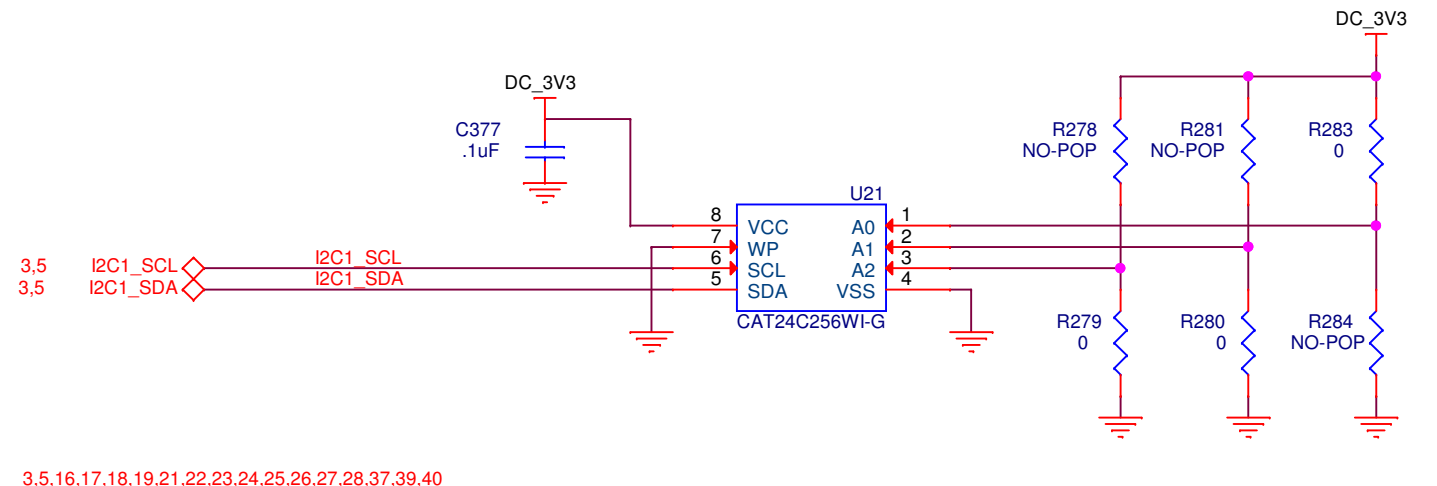
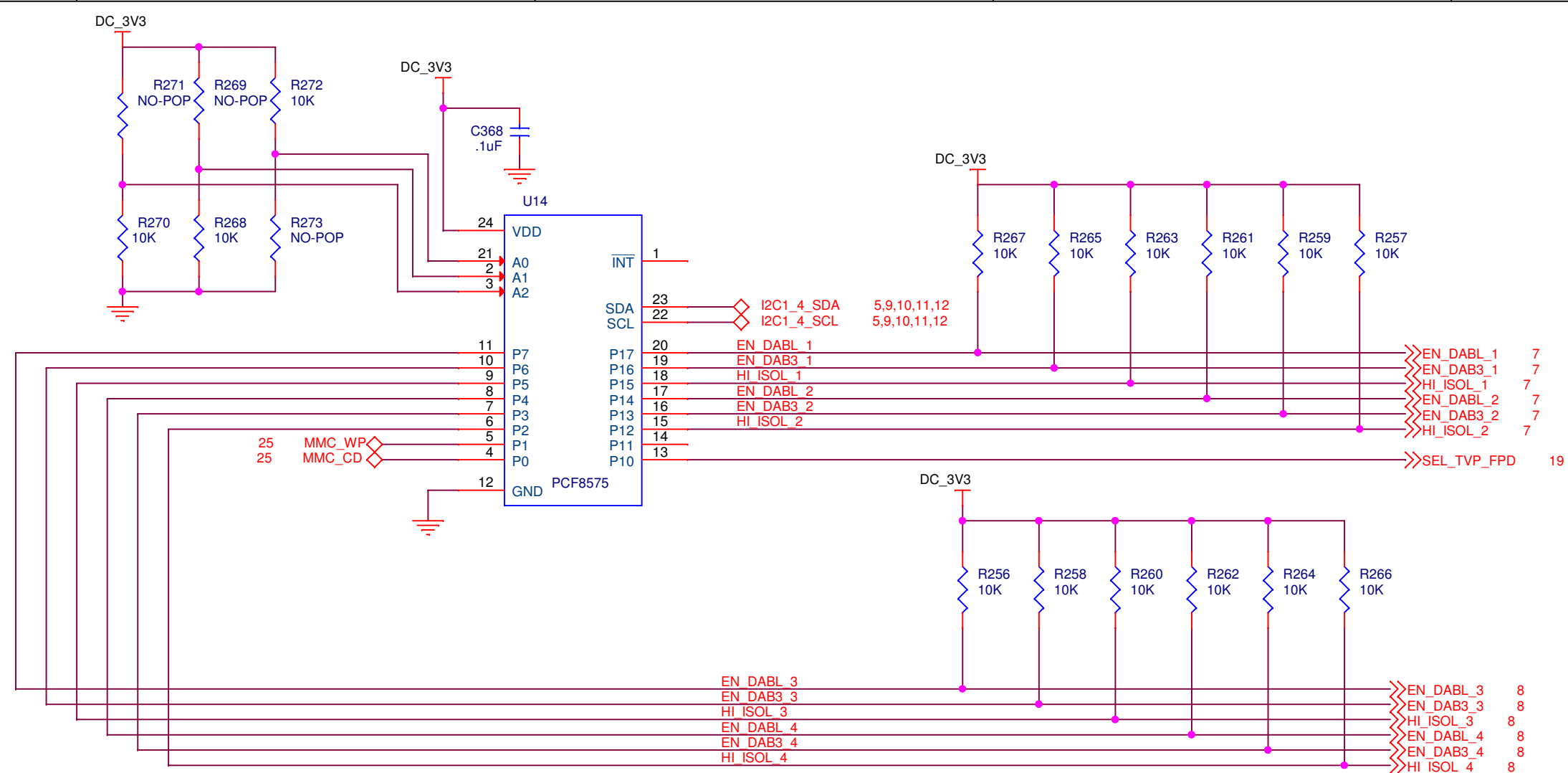
Texas Instruments			
Title: JAMR 3 APPLICATION BOARD			
Page Contents: INTERFACE CONN2			
Size: B	DWG NO	517182-0001	Revision: A
Date: Tuesday, January 12, 2016		Sheet 3 of 40	



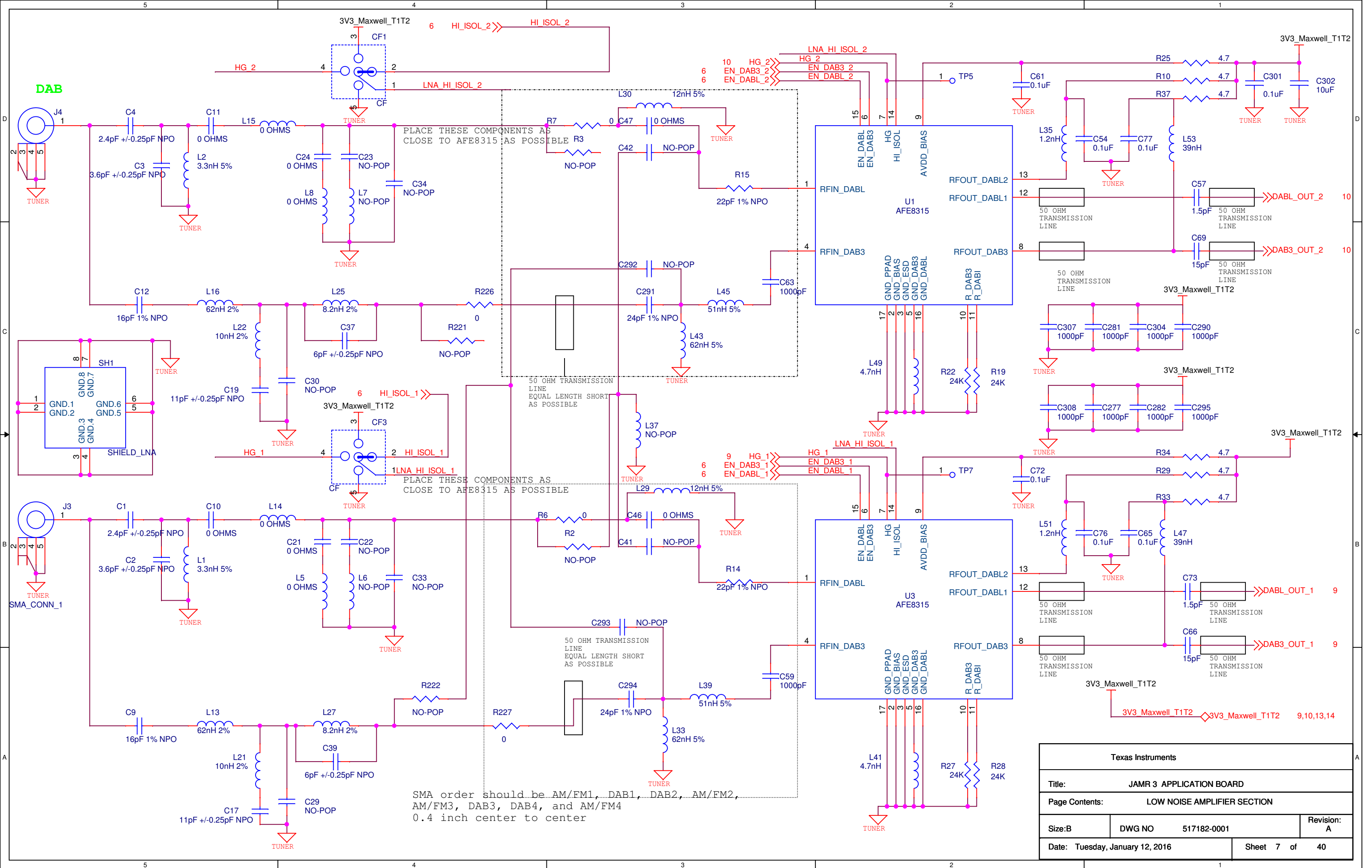
Texas Instruments			
Title: JAMR 3 APPLICATION BOARD			
Page Contents: INTERFACE CONN3			
Size: B	DWG NO	517182-0001	Revision: B
Date: Tuesday, January 12, 2016		Sheet 4 of 40	



Texas Instruments			
Title: JAMR 3 APPLICATION BOARD			
Page Contents: I2C MUX FOR TUNER			
Size: B	DWG NO	517182-0001	Revision: B
Date: Tuesday, January 12, 2016	Sheet	5 of	40

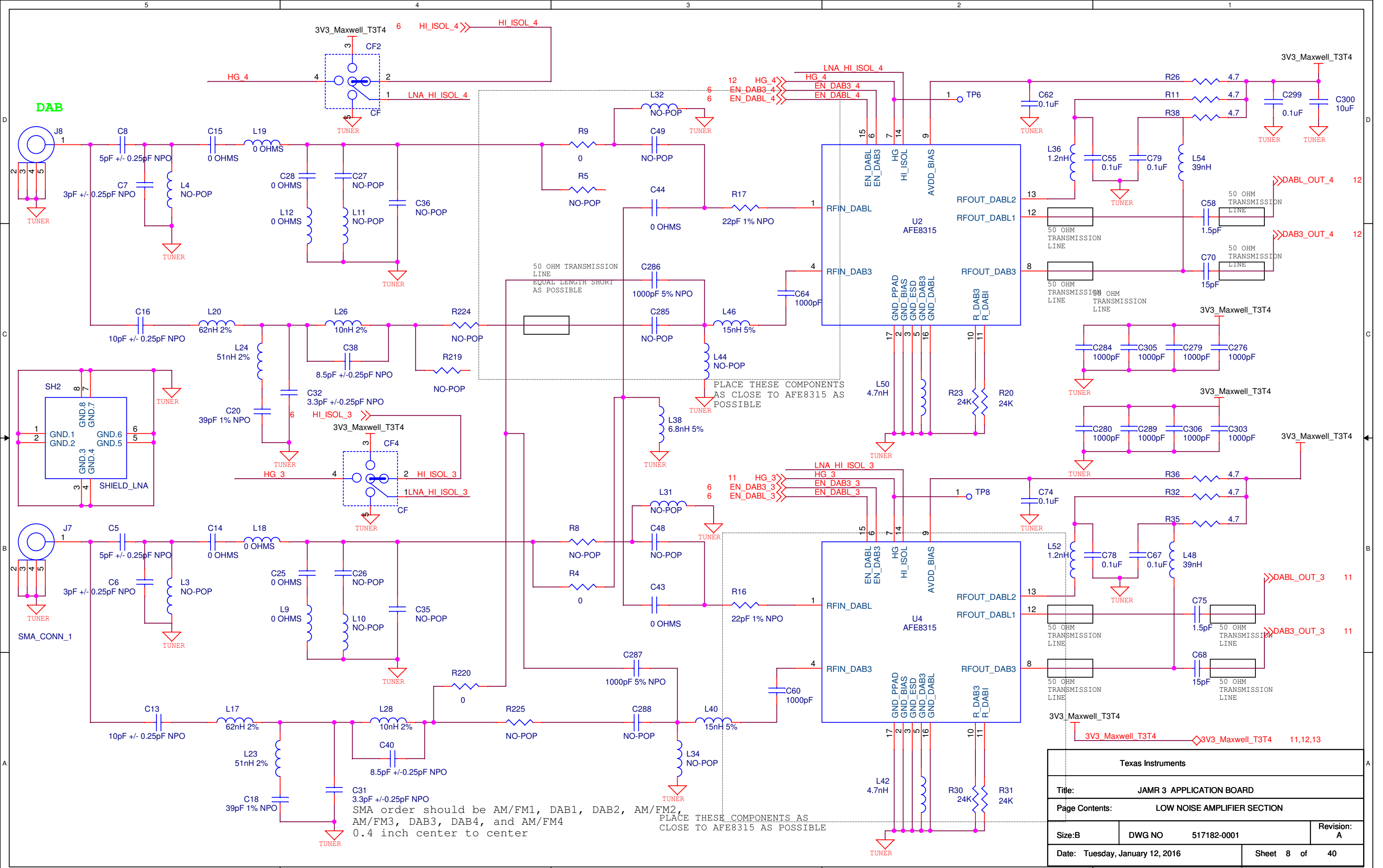


Texas Instruments			
Title: JAMR 3 APPLICATION BOARD			
Page Contents: I2C EEPROM / I2C EXPANDER			
Size: B	DWG NO	517182-0001	Revision: A
Date: Tuesday, January 12, 2016		Sheet 6 of 40	



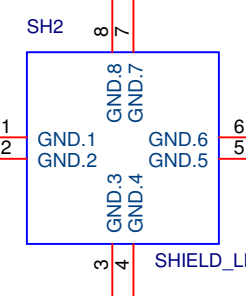
SMA order should be AM/FM1, DAB1, DAB2, AM/FM2, AM/FM3, DAB3, DAB4, and AM/FM4 0.4 inch center to center

Texas Instruments			
Title: JAMR 3 APPLICATION BOARD			
Page Contents: LOW NOISE AMPLIFIER SECTION			
Size: B	DWG NO	517182-0001	Revision: A
Date: Tuesday, January 12, 2016	Sheet 7 of 40		



DAB

SMA_CONN_1



J7

J8

SMA order should be AM/FM1, DAB1, DAB2, AM/FM2, AM/FM3, DAB3, DAB4, and AM/FM4
0.4 inch center to center

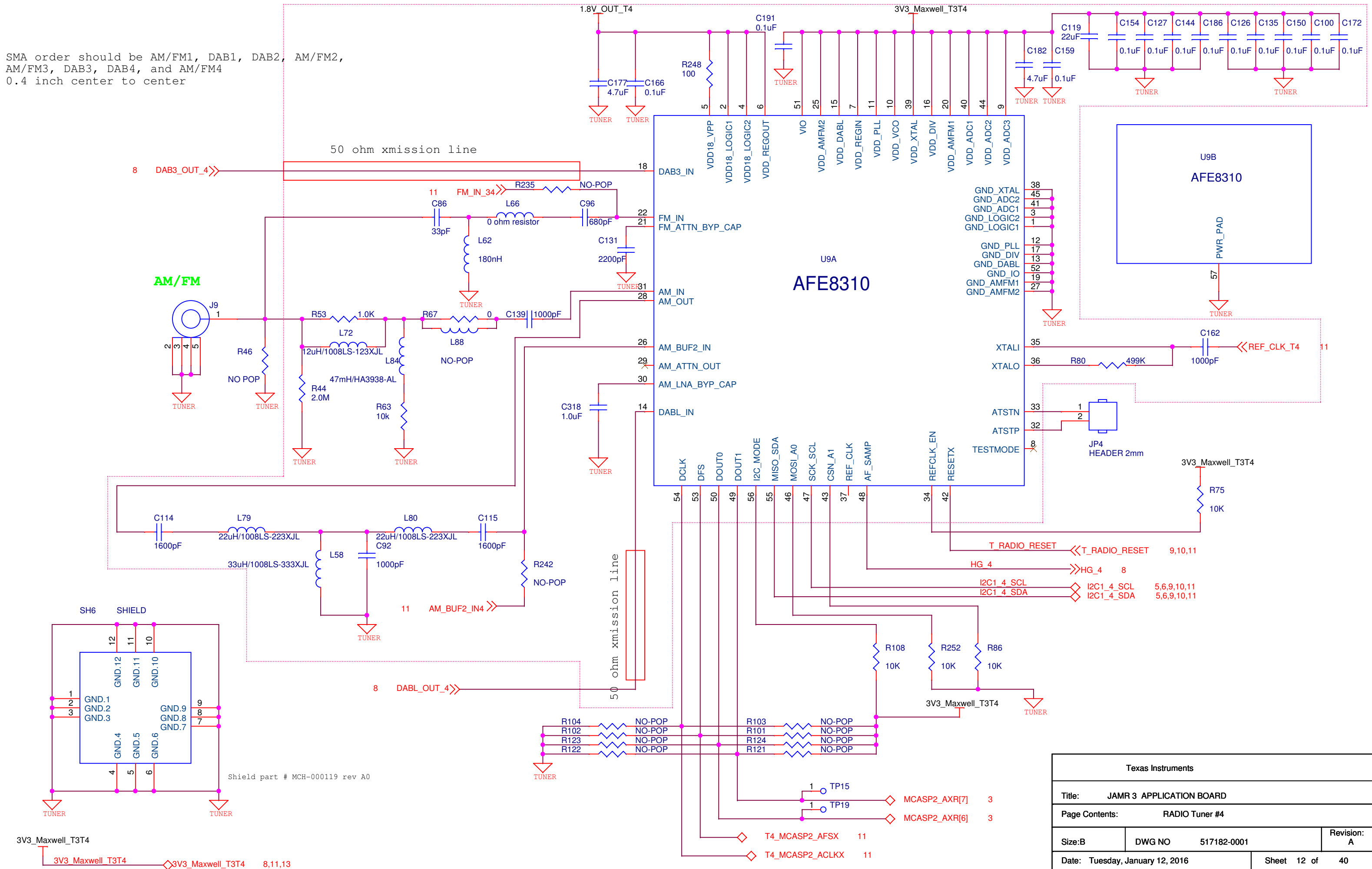
PLACE THESE COMPONENTS AS CLOSE TO AFE8315 AS POSSIBLE

50 OHM TRANSMISSION LINE
EQUAL LENGTH SHORT AS POSSIBLE

PLACE THESE COMPONENTS AS CLOSE TO AFE8315 AS POSSIBLE

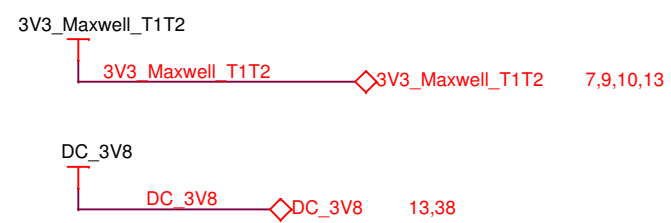
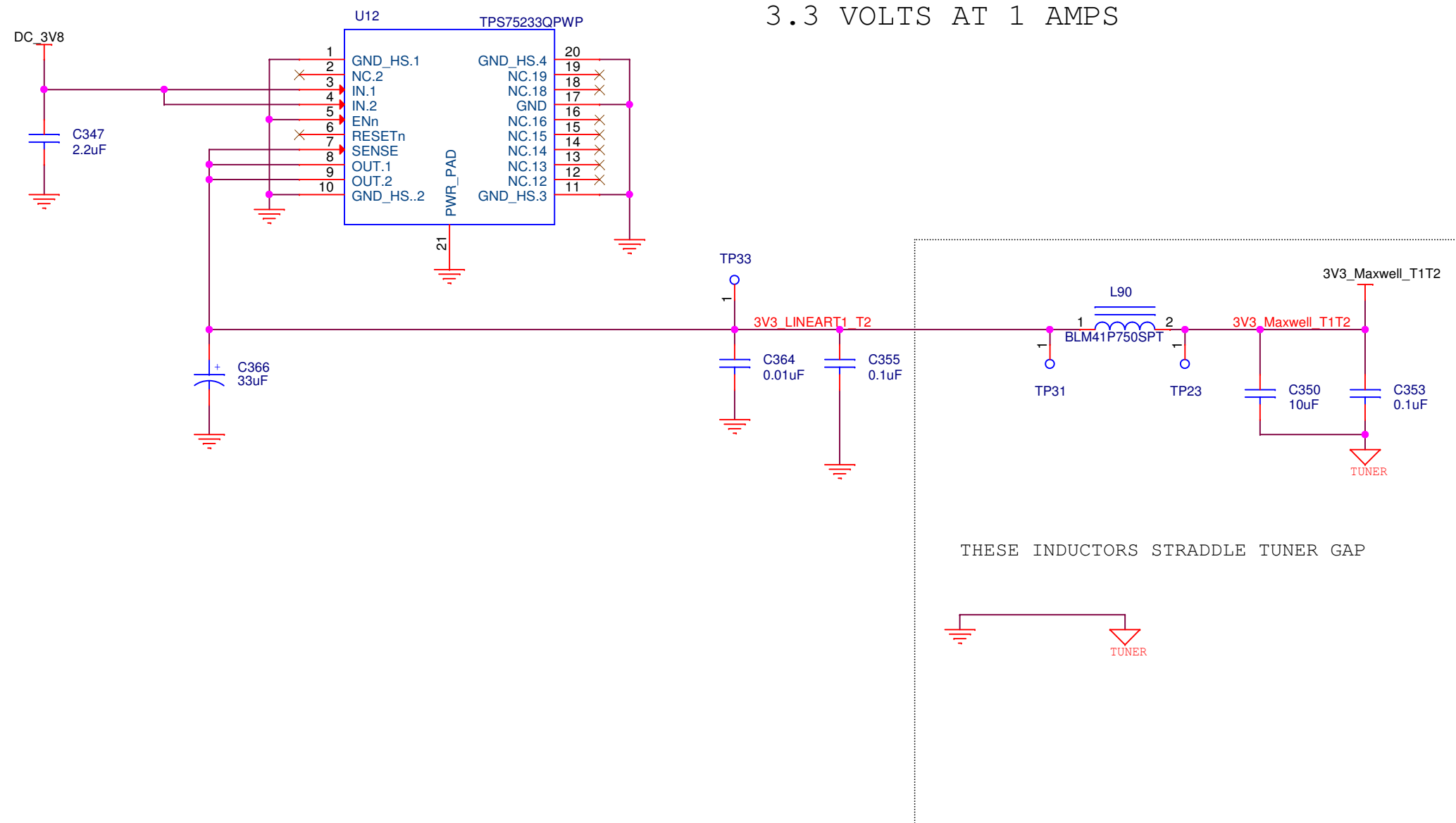
Texas Instruments			
Title: JAMR 3 APPLICATION BOARD			
Page Contents: LOW NOISE AMPLIFIER SECTION			
Size: B	DWG NO	517182-0001	Revision: A
Date: Tuesday, January 12, 2016	Sheet 8 of 40		

SMA order should be AM/FM1, DAB1, DAB2, AM/FM2, AM/FM3, DAB3, DAB4, and AM/FM4
0.4 inch center to center

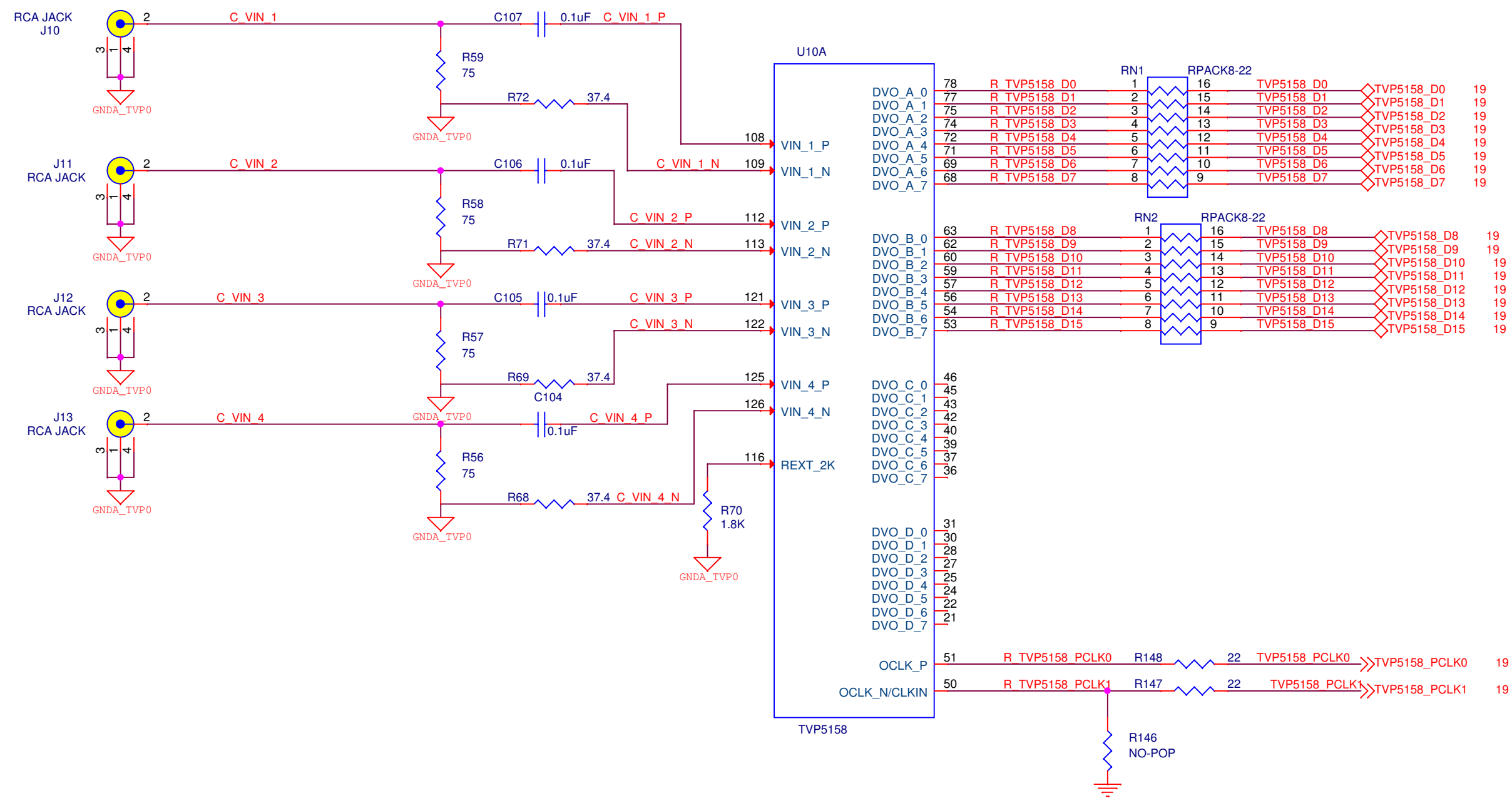


Texas Instruments			
Title: JAMR 3 APPLICATION BOARD			
Page Contents: RADIO Tuner #4			
Size: B	DWG NO	517182-0001	Revision: A
Date: Tuesday, January 12, 2016		Sheet 12 of 40	

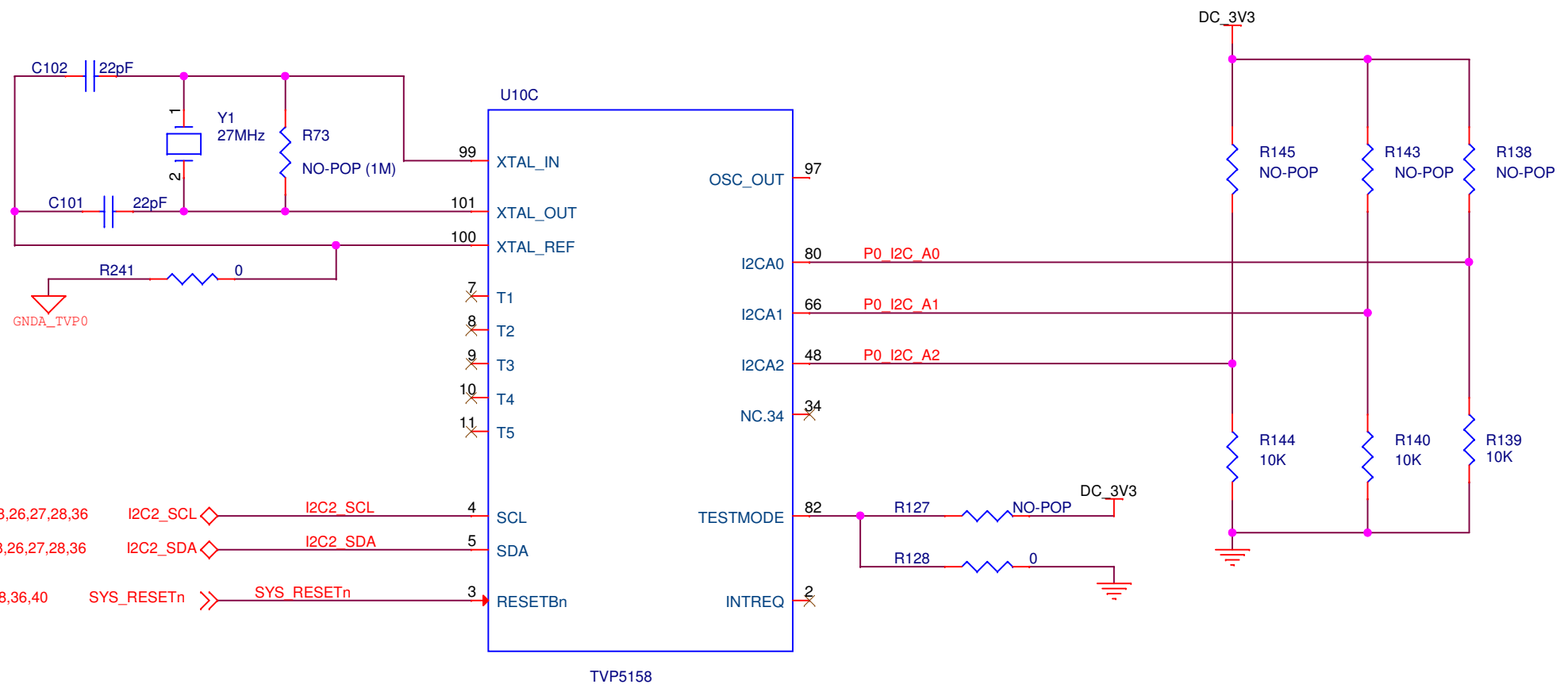
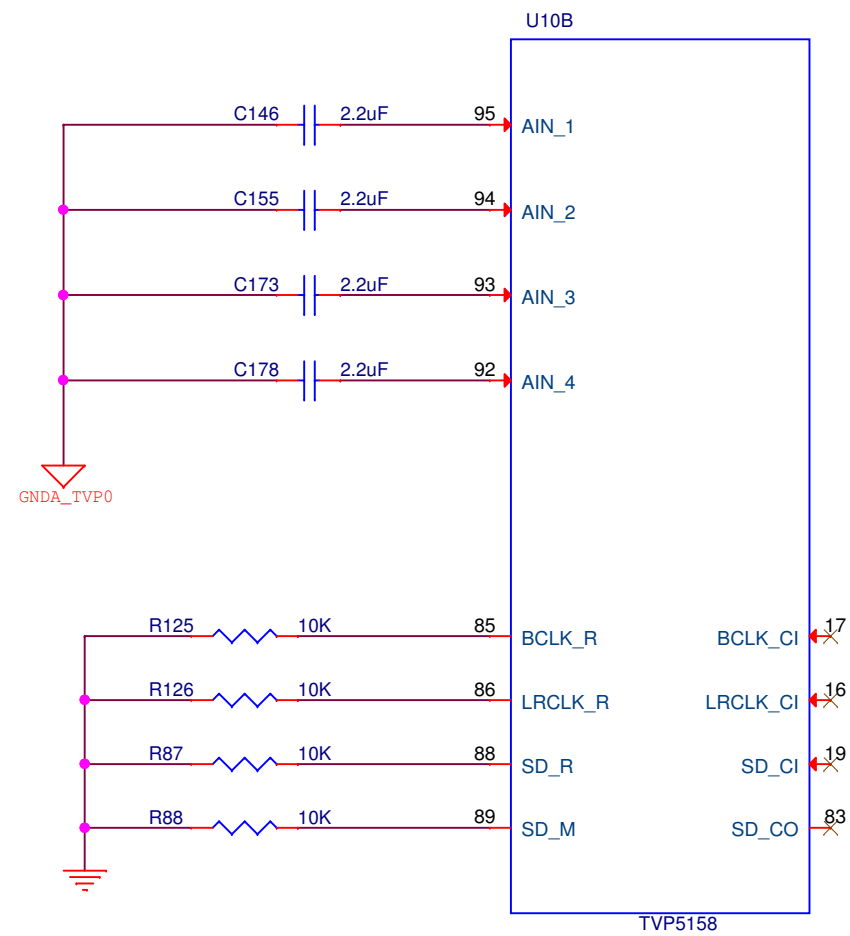
3.3 VOLTS AT 1 AMPS



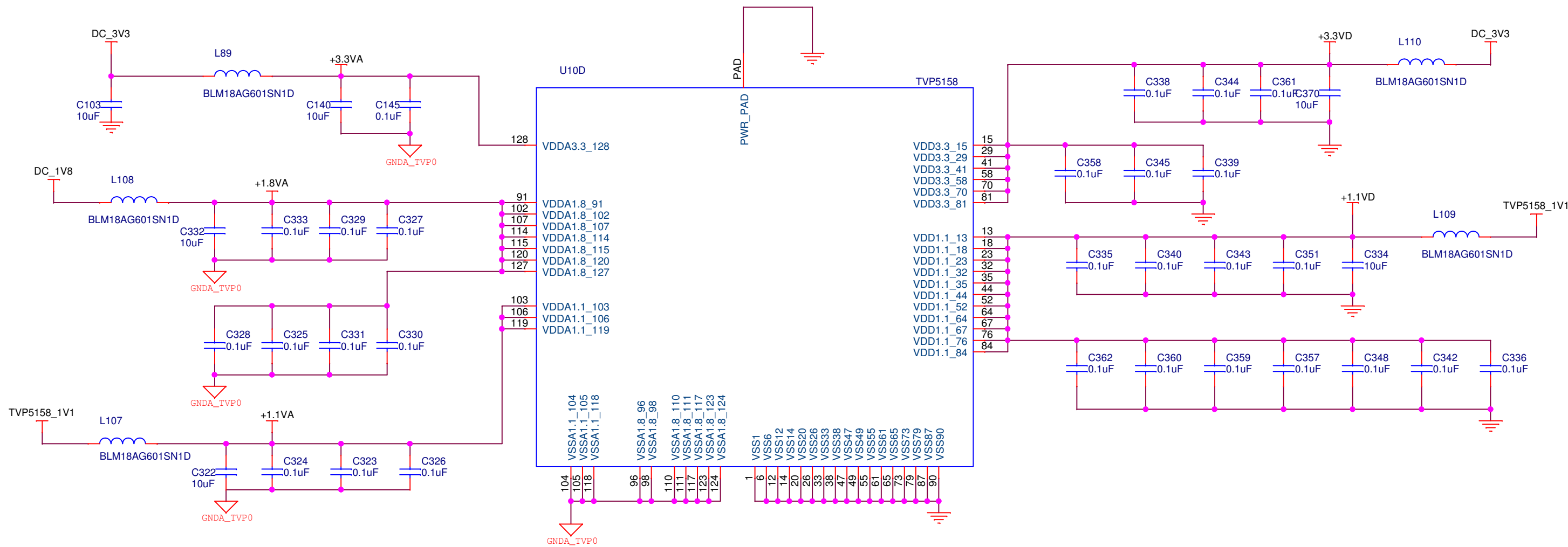
Texas Instruments			
Title: JAMR 3 APPLICATION BOARD			
Page Contents: RADIO POWER			
Size: B	DWG NO	517182-0001	Revision: A
Date: Tuesday, January 12, 2016		Sheet 14 of	40



Texas Instruments			
Title: JAMR 3 APPLICATION BOARD			
Page Contents: TVP5158 VIDEO INPUT			
Size: B	DWG NO	517182-0001	Revision: A
Date: Tuesday, January 12, 2016	Sheet	15 of	40



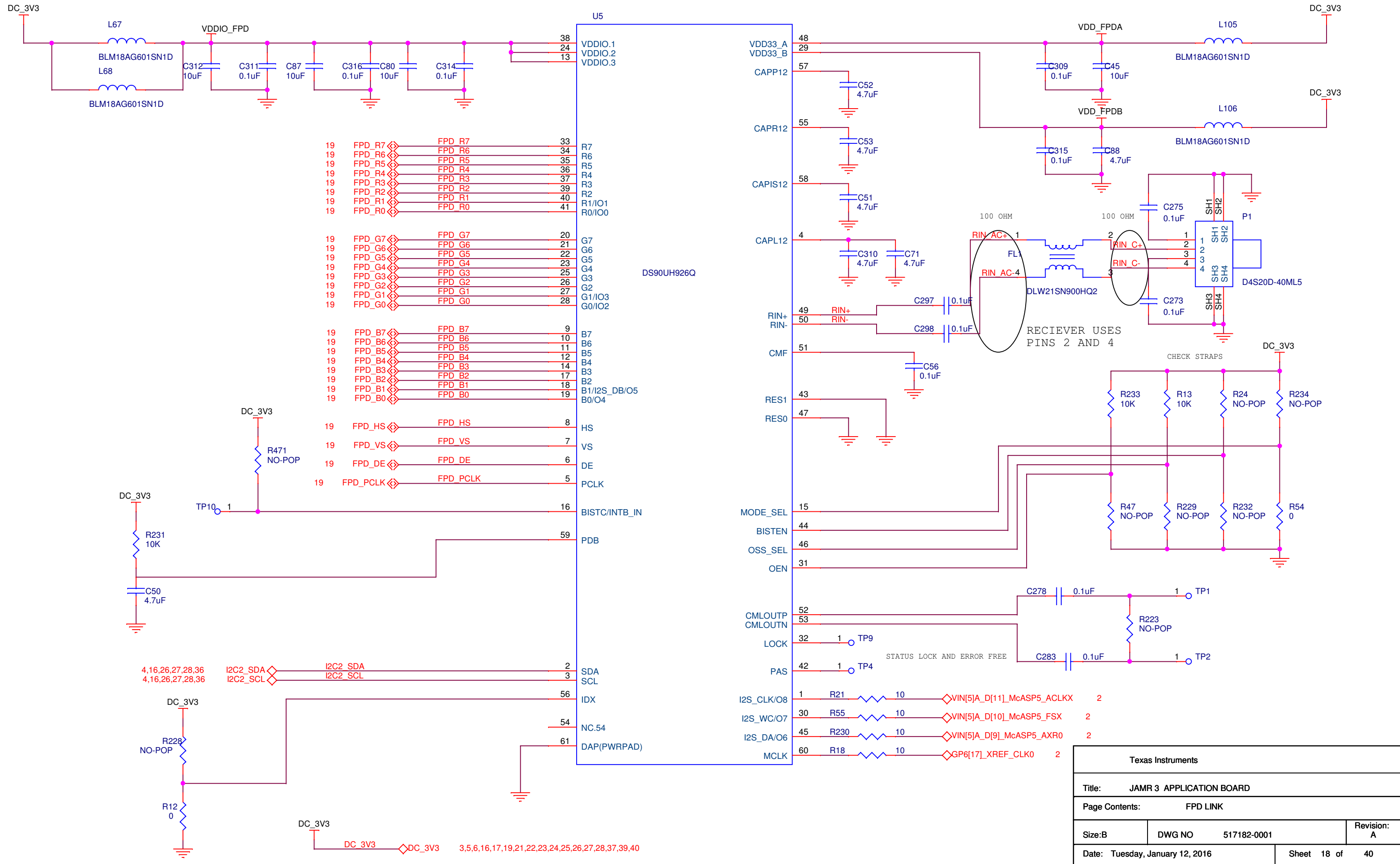
Texas Instruments			
Title: JAMR 3 APPLICATION BOARD			
Page Contents: TVP5158 AUDIO/MISC			
Size: B	DWG NO	517182-0001	Revision: A
Date: Tuesday, January 12, 2016		Sheet 16 of 40	



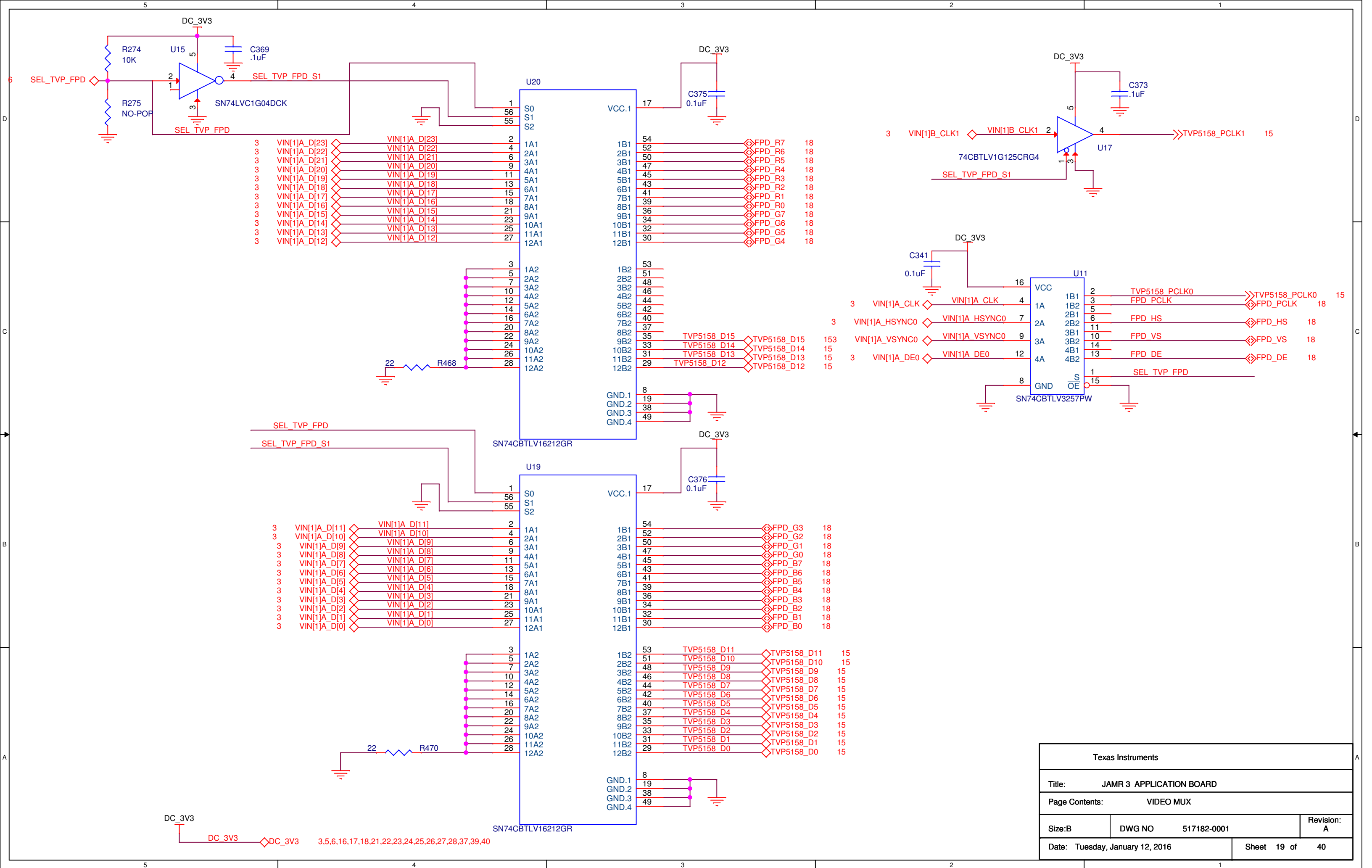
Estimated 5158 power	
1V1D	= 160mA
1V8A	= 175mA
3V3D	= 40 mA
1V1A	= 20mA
3V3A	= 5 mA

DC_3V3	DC_3V3	3,5,6,16,18,19,21,22,23,24,25,26,27,28,37,39,40
DC_1V8	DC_1V8	26,27,28,37
TVP5158_1V1	TVP5158_1V1	37

Texas Instruments			
Title: JAMR 3 APPLICATION BOARD			
Page Contents: TVP5158 POWER			
Size: B	DWG NO	517182-0001	Revision: A
Date: Tuesday, January 12, 2016		Sheet 17 of 40	



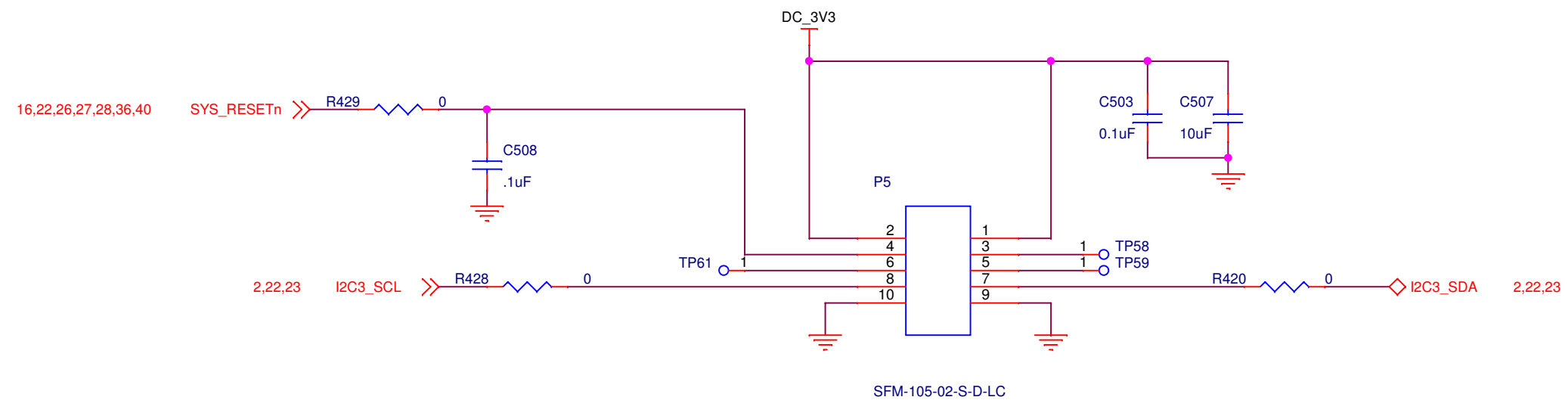
Texas Instruments			
Title: JAMR 3 APPLICATION BOARD			
Page Contents: FPD LINK			
Size: B	DWG NO	517182-0001	Revision: A
Date: Tuesday, January 12, 2016	Sheet 18 of 40		



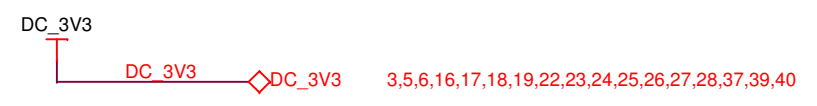
Texas Instruments			
Title: JAMR 3 APPLICATION BOARD			
Page Contents: VIDEO MUX			
Size: B	DWG NO	517182-0001	Revision: A
Date: Tuesday, January 12, 2016		Sheet 19 of 40	

BLANK NOW

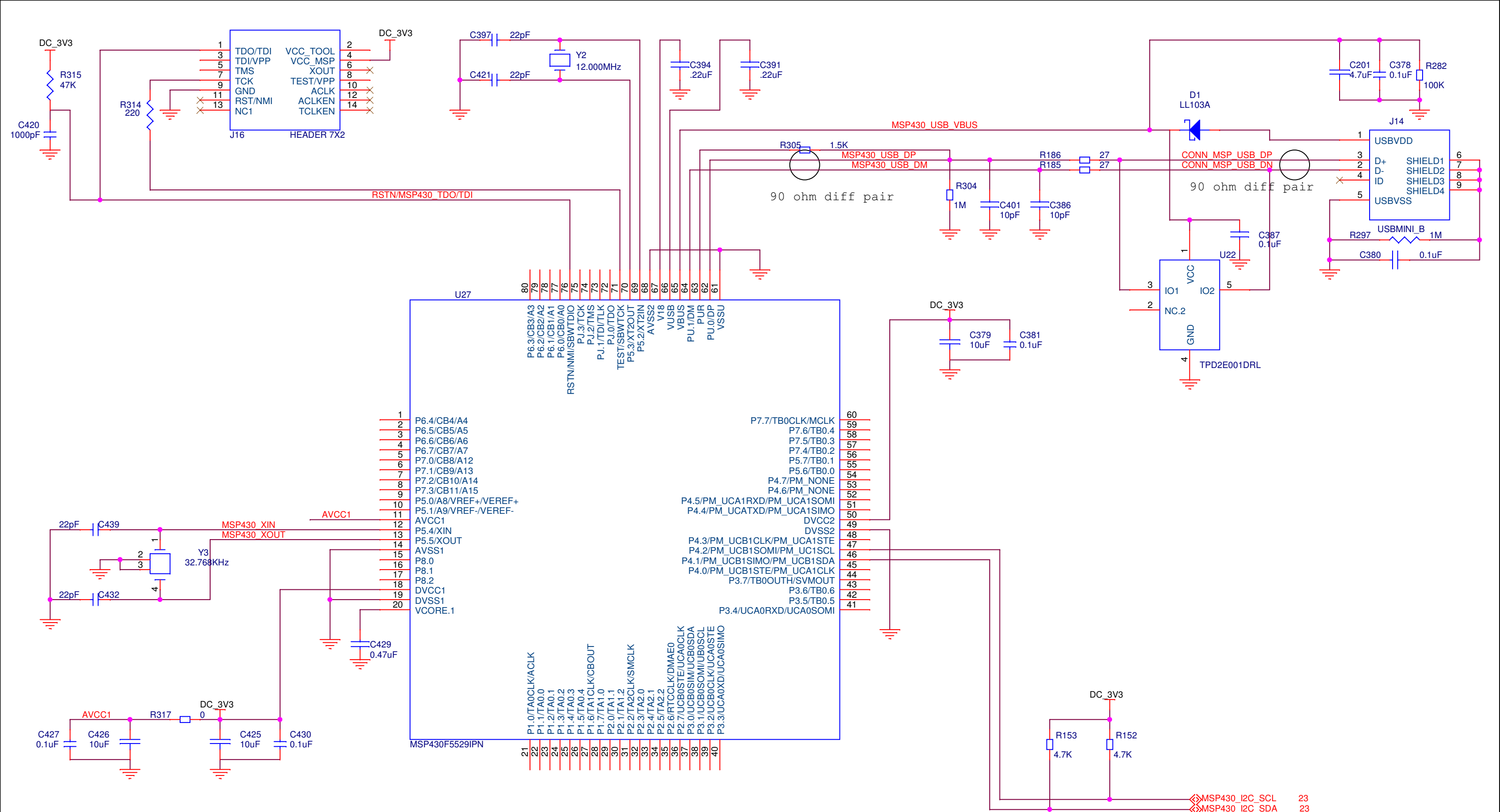
Texas Instruments			
Title: JAMR 3 APPLICATION BOARD			
Page Contents: AUDIO MUX			
Size: B	DWG NO	517182-0001	Revision: A
Date: Tuesday, January 12, 2016		Sheet	20 of 40



J2 to iPod device via USB port

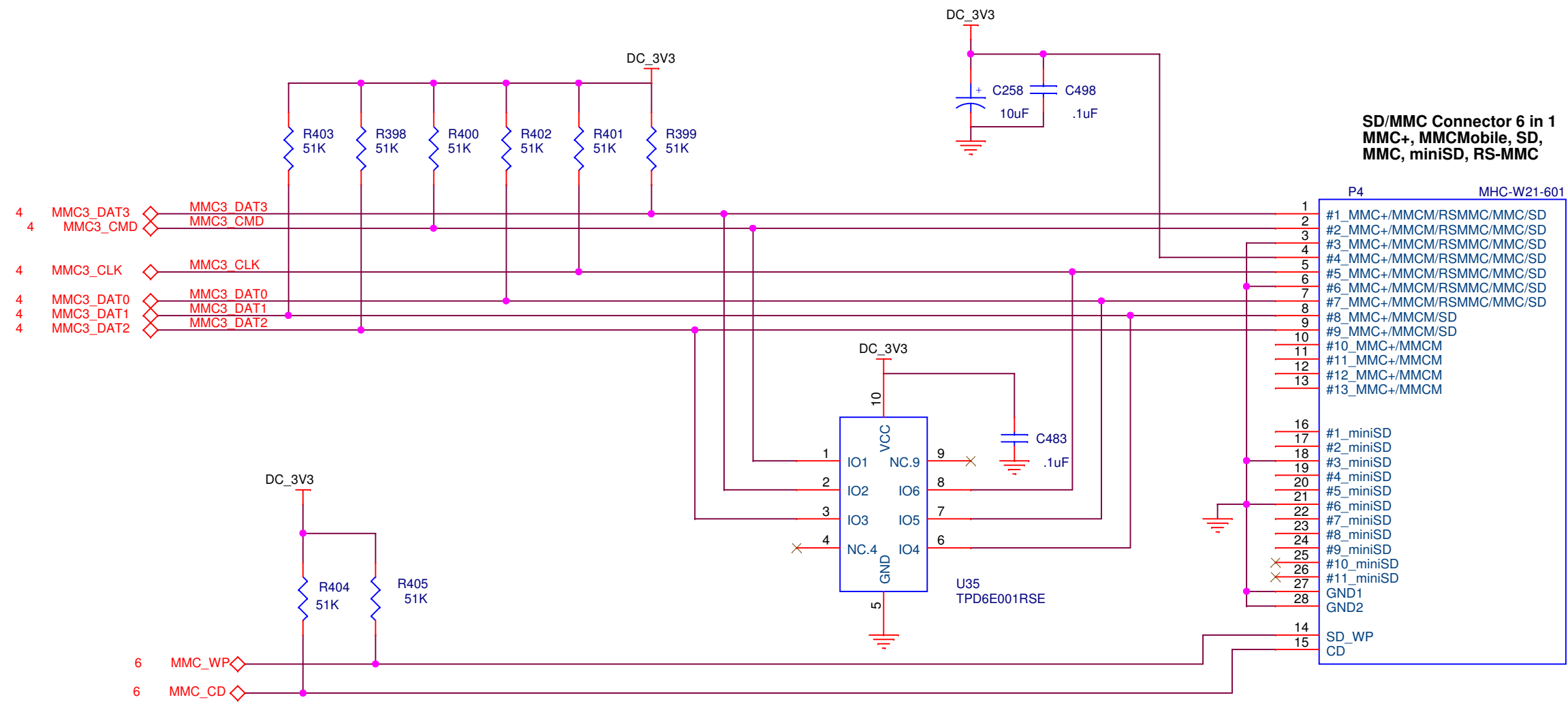


Texas Instruments		
Title: JAMR 3 APPLICATION BOARD		
Page Contents: IPOD AUTHENTICATION		
Size: B	DWG NO 517182-0001	Revision: A
Date: Tuesday, January 12, 2016	Sheet 21 of 40	



Texas Instruments			
Title: JAMR 3 APPLICATION BOARD			
Page Contents: CDM DEBUG INTERFACE			
Size: B	DWG NO	517182-0001	Revision: A
Date: Tuesday, January 12, 2016		Sheet 24 of 40	

DC_3V3
 DC_3V3 ◇ DC_3V3 3,5,6,16,17,18,19,21,22,23,25,26,27,28,37,39,40

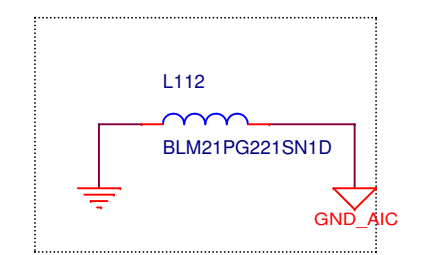
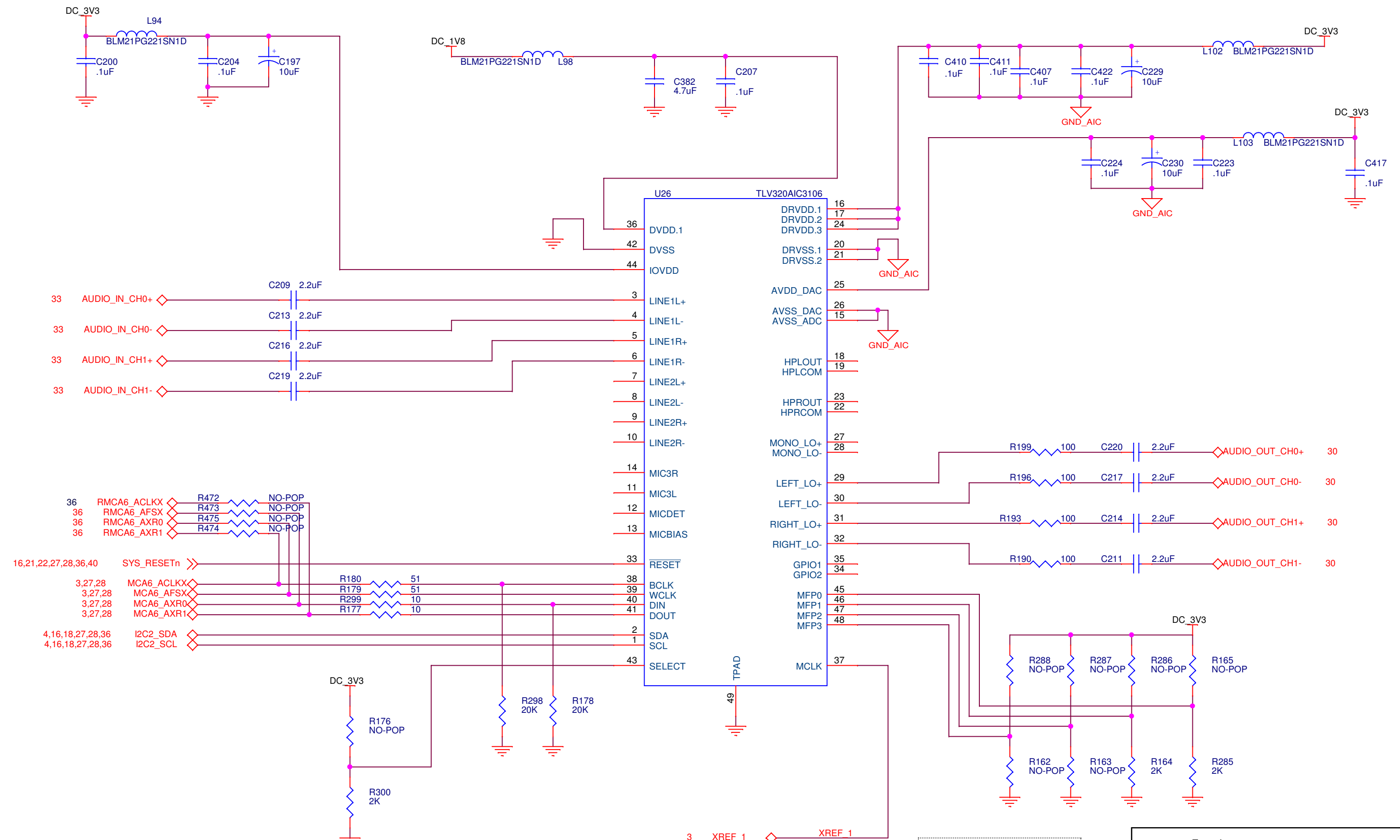


DC_3V3

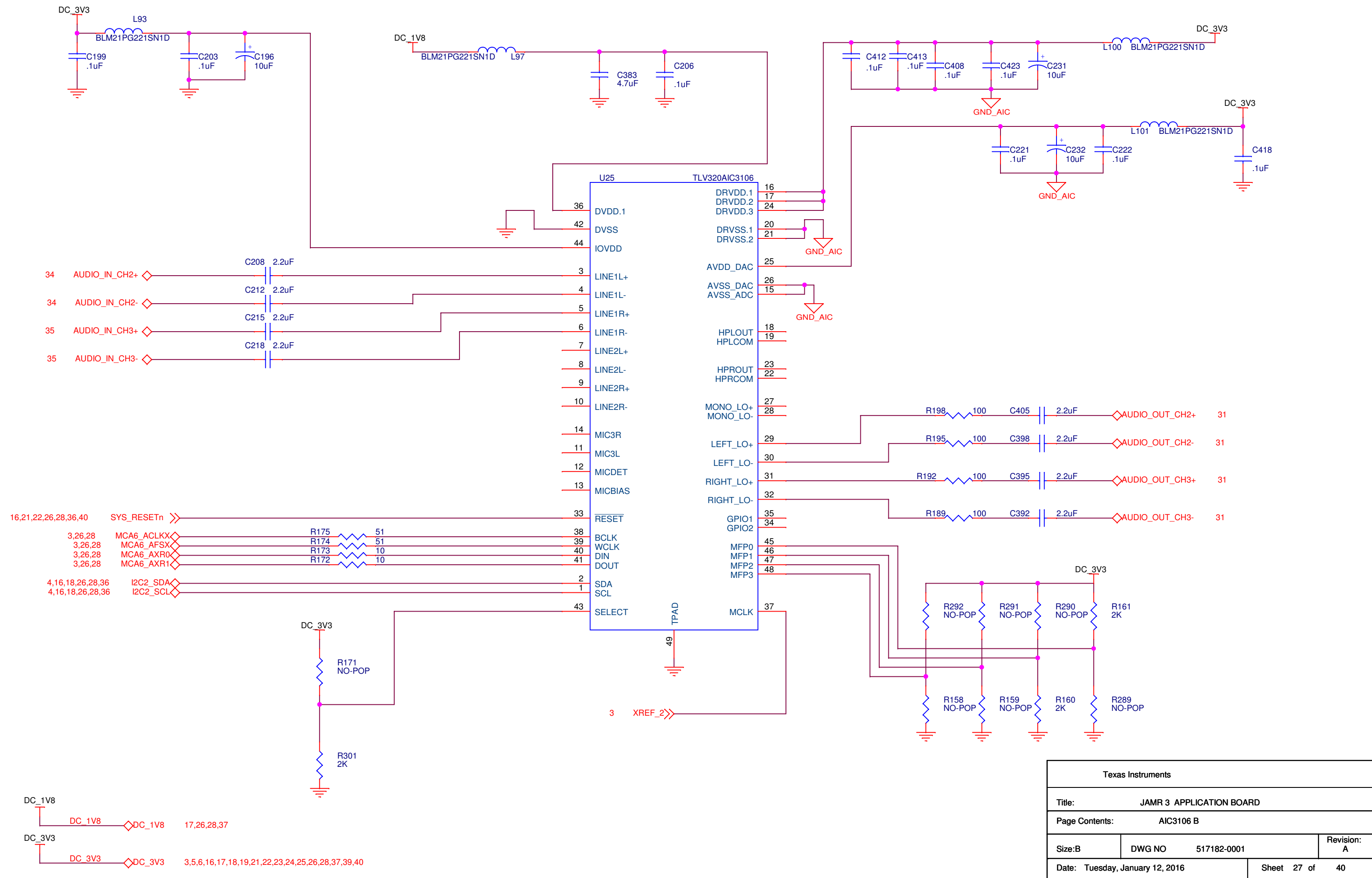
DC_3V3

DC_3V3 3,5,6,16,17,18,19,21,22,23,24,26,27,28,37,39,40

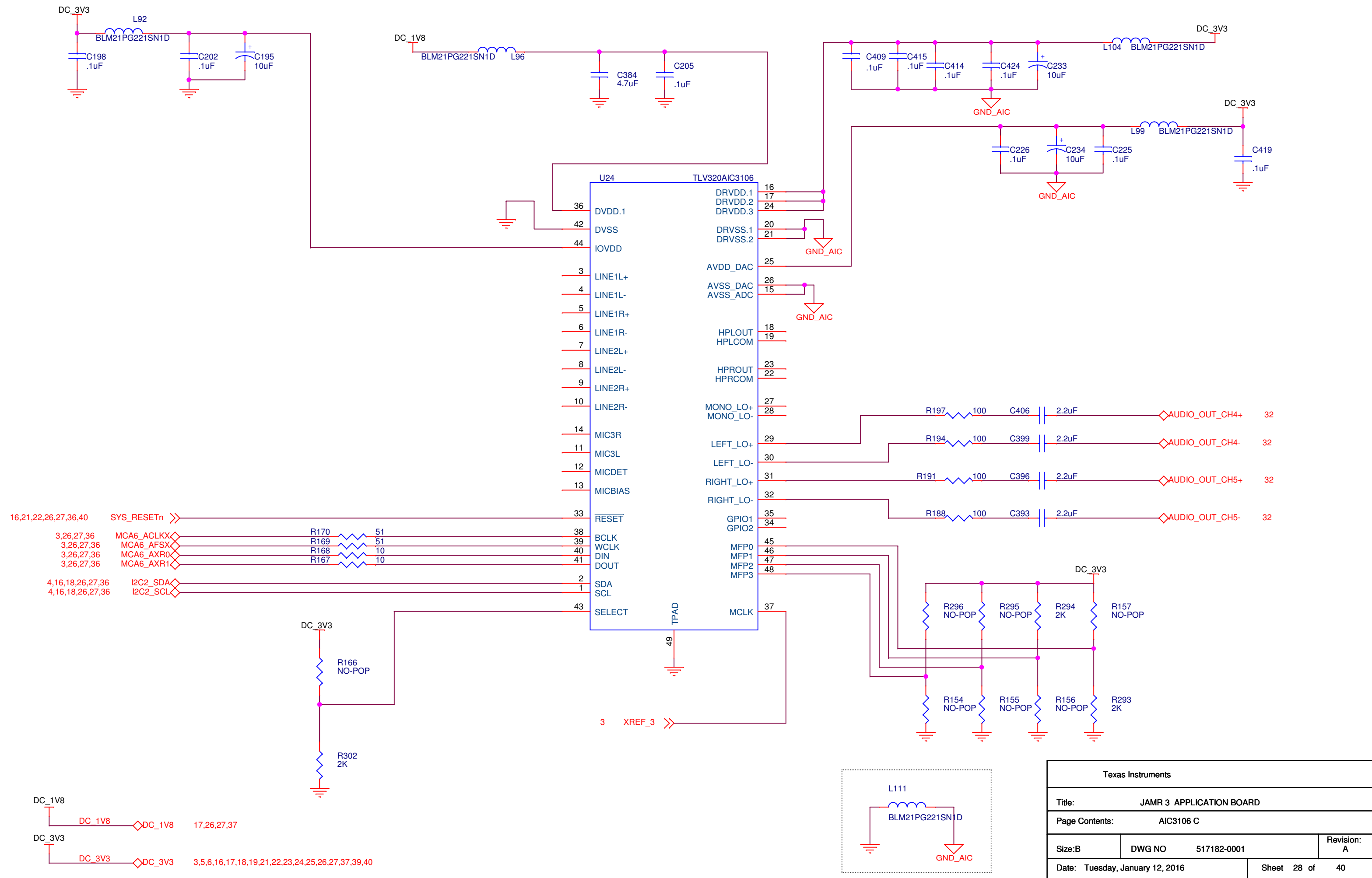
Texas Instruments			
Title: JAMR 3 APPLICATION BOARD			
Page Contents: SD Connector			
Size: B	DWG NO	517182-0001	Revision: A
Date: Tuesday, January 12, 2016	Sheet 25 of 40		



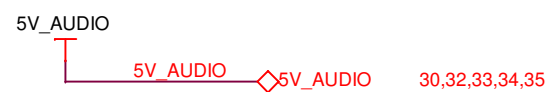
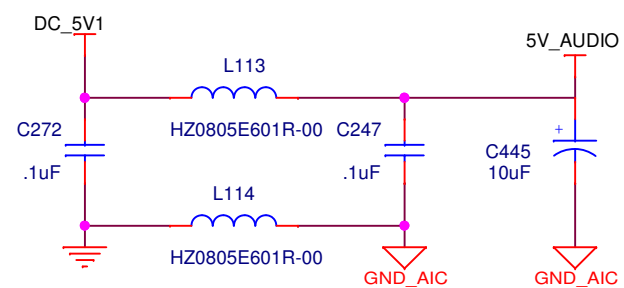
Texas Instruments			
Title: JAMR 3 APPLICATION BOARD			
Page Contents: AIC3106 A			
Size: B	DWG NO	517182-0001	Revision: A
Date: Tuesday, January 12, 2016		Sheet 26 of 40	



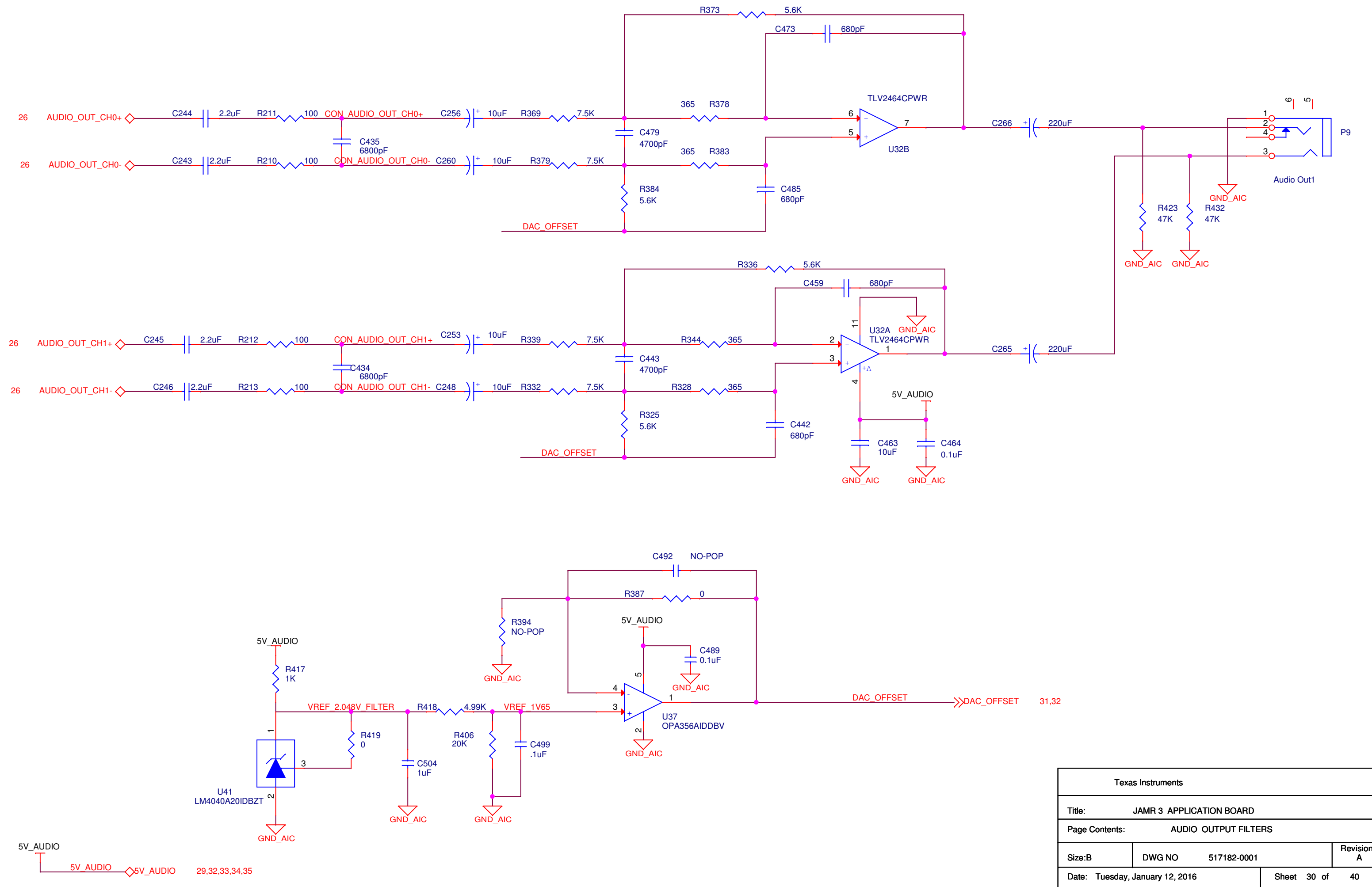
Texas Instruments			
Title: JAMR 3 APPLICATION BOARD			
Page Contents: AIC3106 B			
Size: B	DWG NO	517182-0001	Revision: A
Date: Tuesday, January 12, 2016		Sheet 27 of 40	



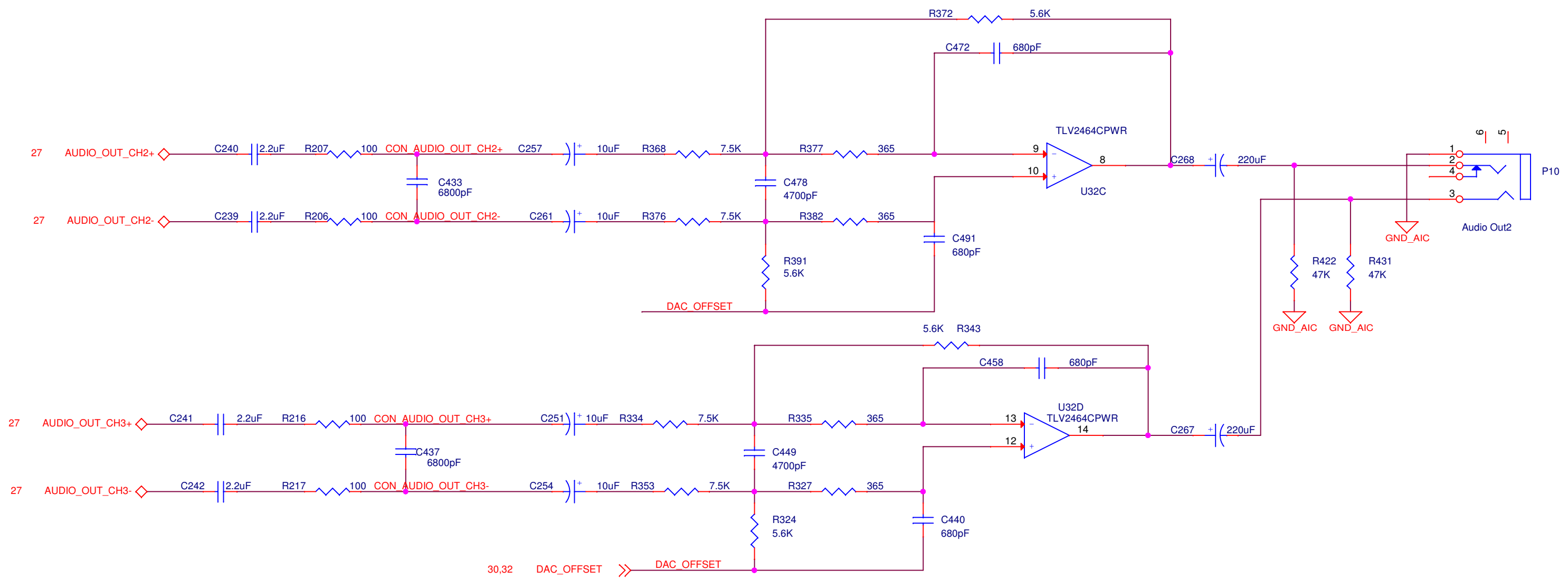
Texas Instruments			
Title: JAMR 3 APPLICATION BOARD			
Page Contents: AIC3106 C			
Size: B	DWG NO	517182-0001	Revision: A
Date: Tuesday, January 12, 2016		Sheet 28 of	40



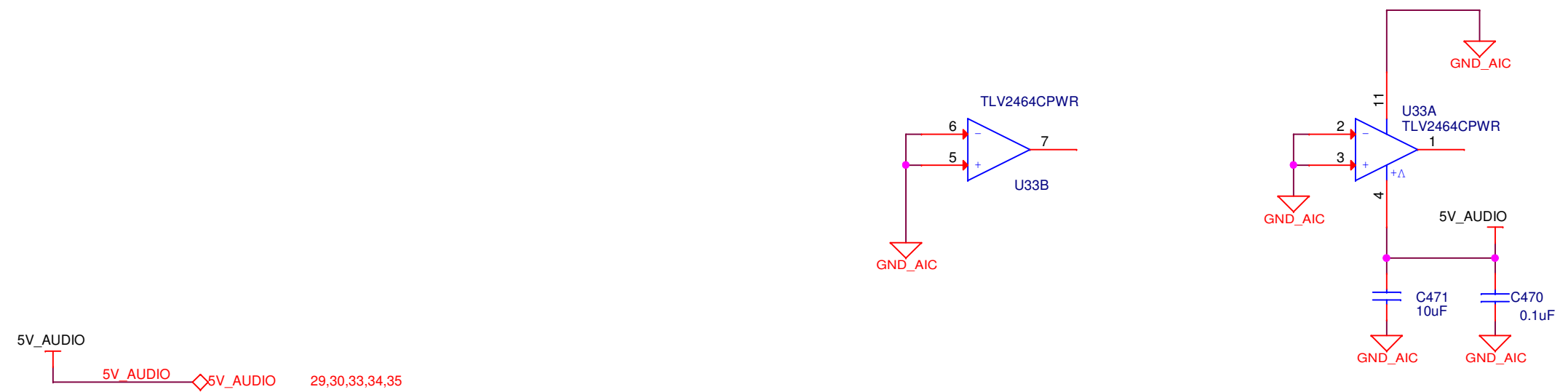
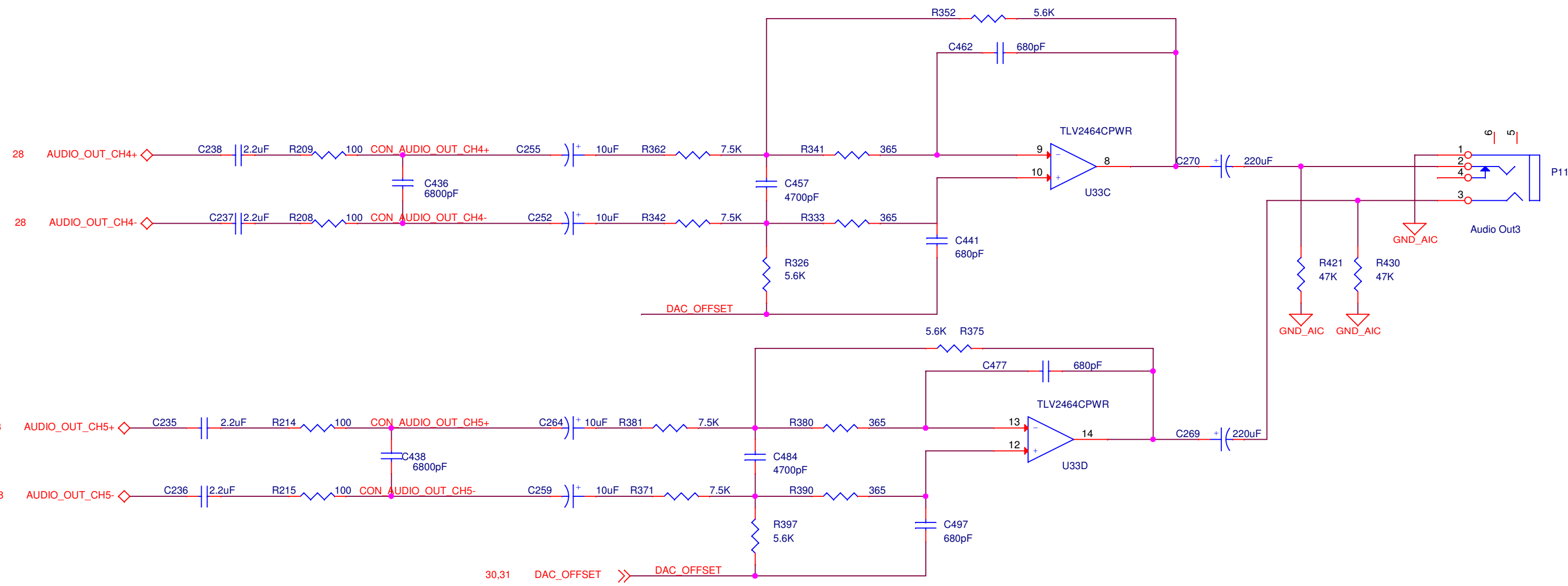
Texas Instruments			
Title: JAMR 3 APPLICATION BOARD			
Page Contents: AMPLIFIER INTERFACE			
Size: B	DWG NO	517182-0001	Revision: A
Date: Tuesday, January 12, 2016		Sheet 29 of	40



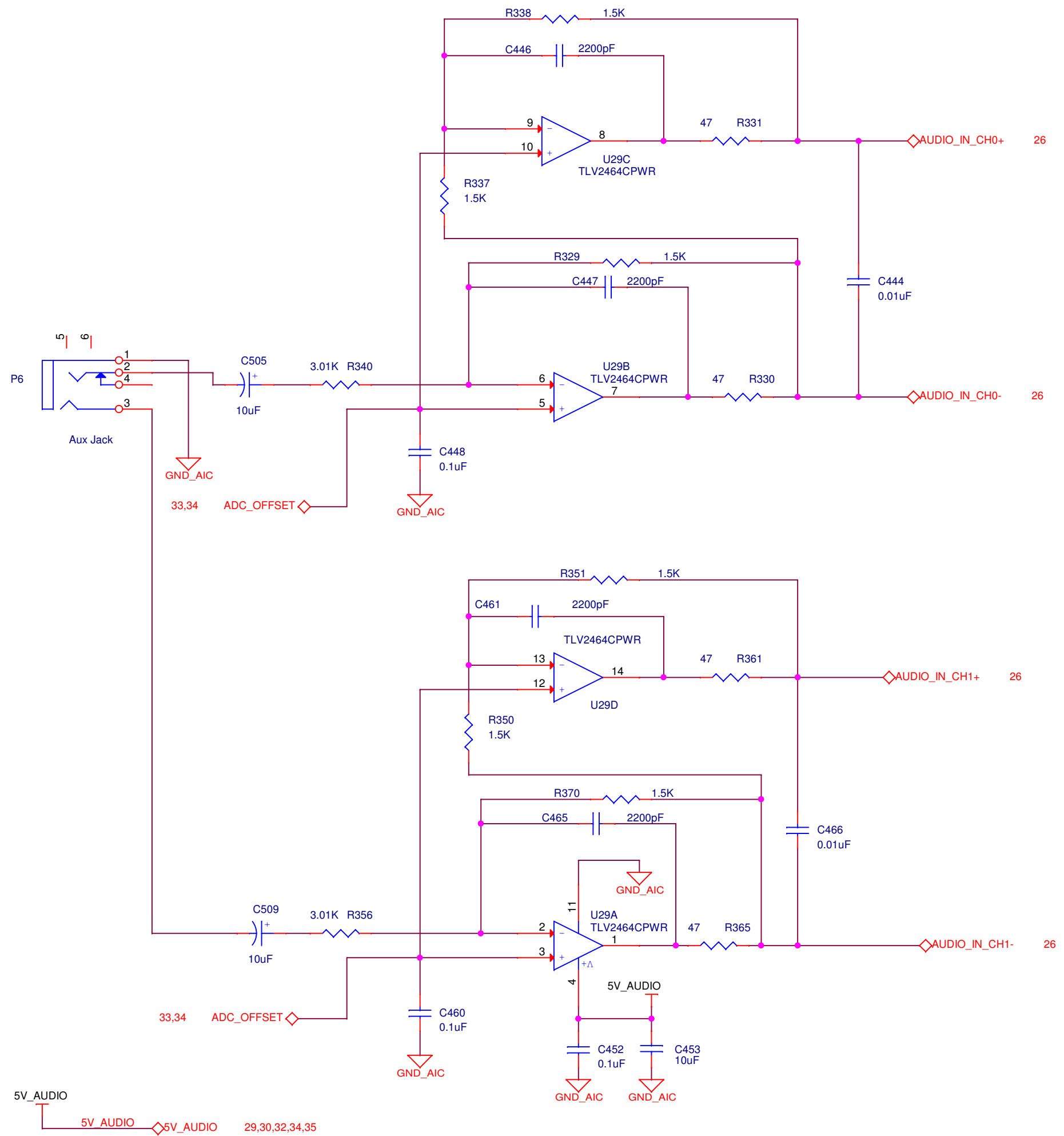
Texas Instruments			
Title: JAMR 3 APPLICATION BOARD			
Page Contents: AUDIO OUTPUT FILTERS			
Size: B	DWG NO	517182-0001	Revision: A
Date: Tuesday, January 12, 2016		Sheet 30 of 40	



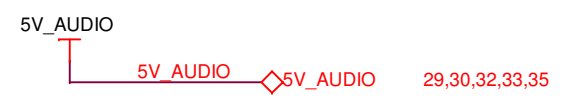
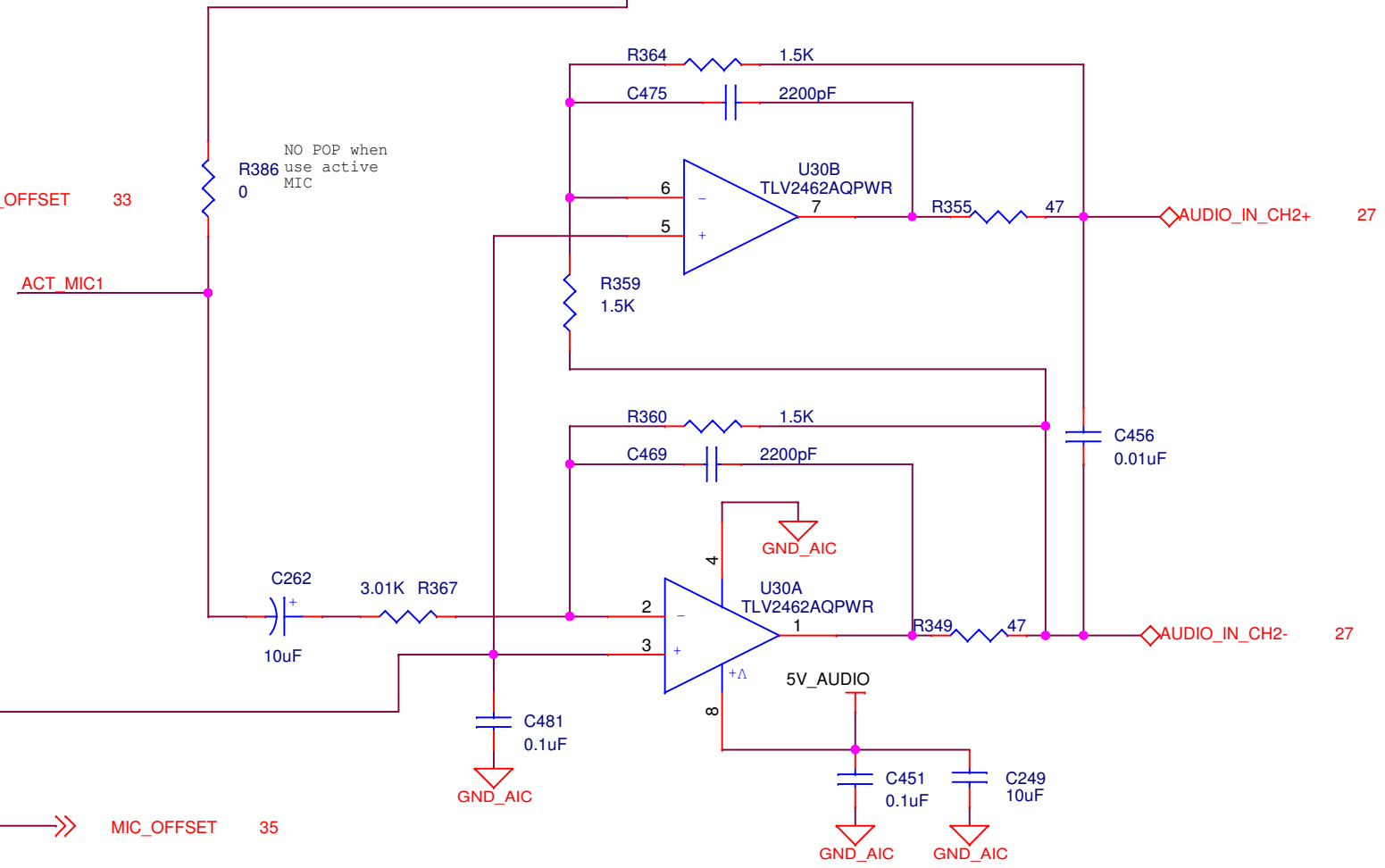
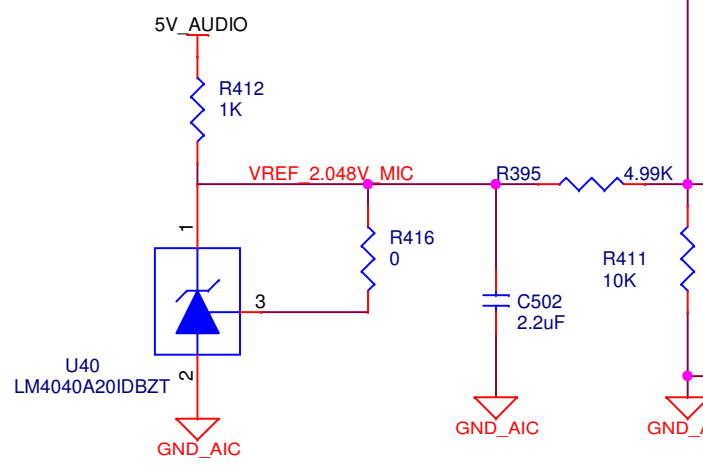
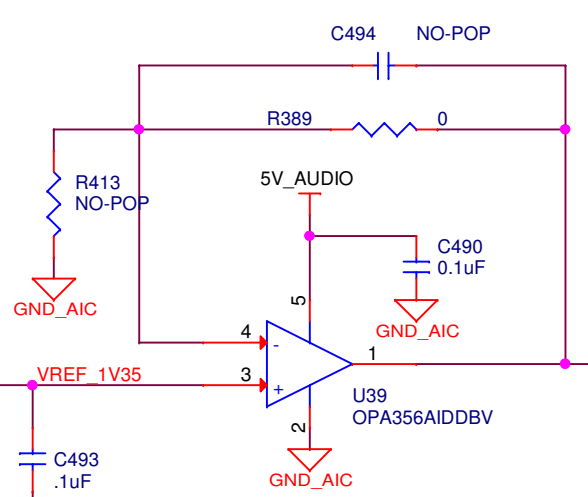
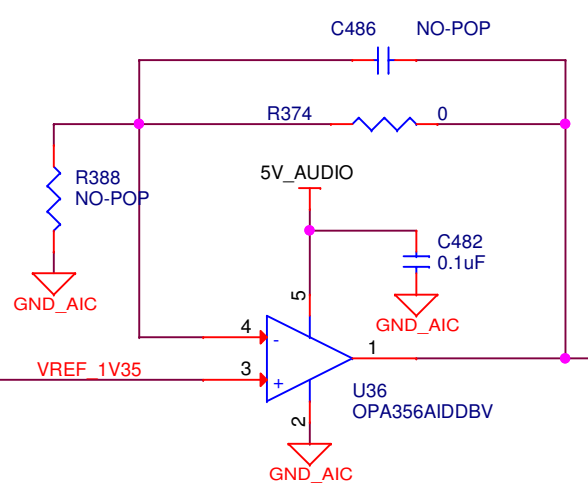
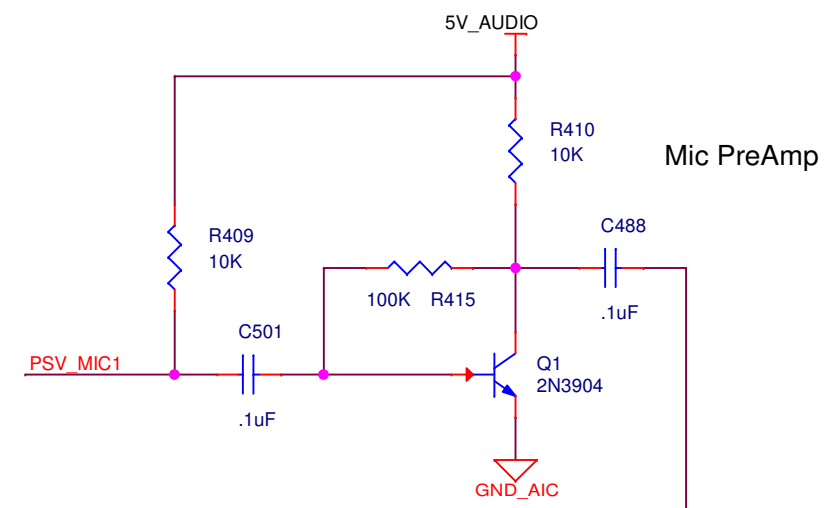
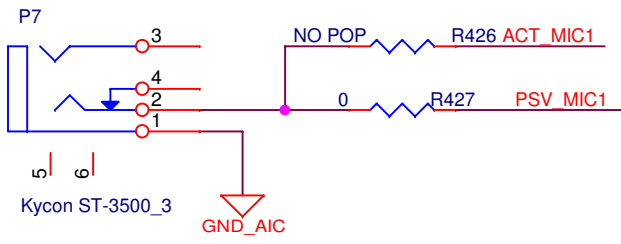
Texas Instruments			
Title: JAMR 3 APPLICATION BOARD			
Page Contents: AUDIO OUTPUT FILTERS			
Size: B	DWG NO	517182-0001	Revision: A
Date: Tuesday, January 12, 2016	Sheet	31 of	40



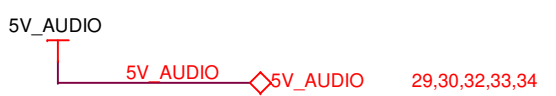
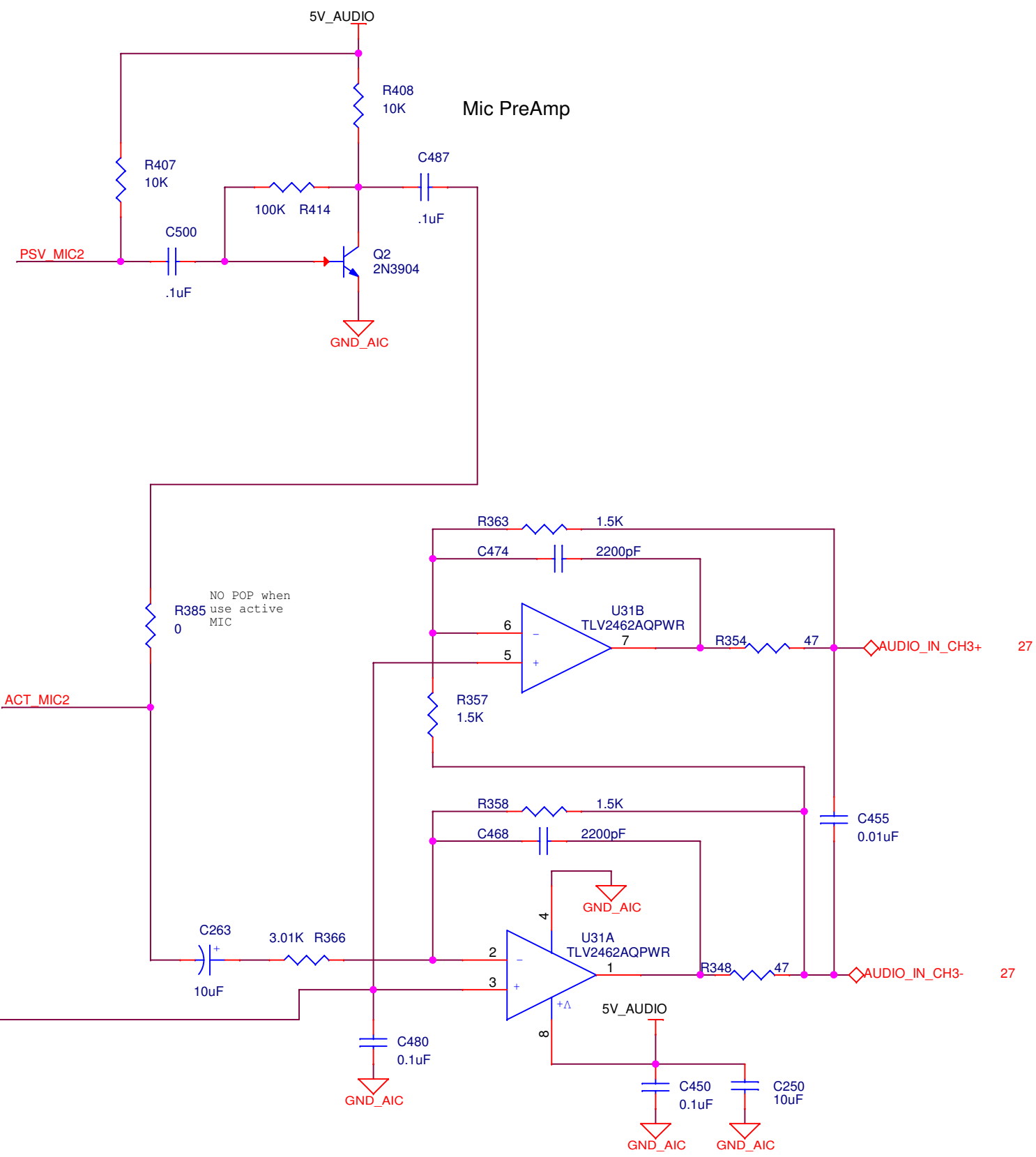
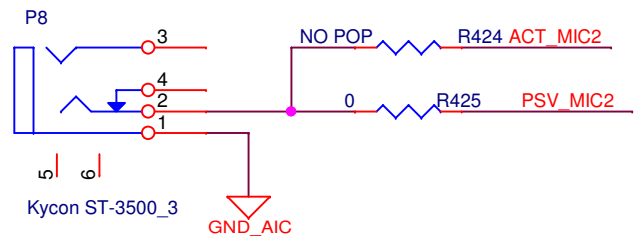
Texas Instruments			
Title: JAMR 3 APPLICATION BOARD			
Page Contents: AUDIO OUTPUT FILTERS			
Size: B	DWG NO	517182-0001	Revision: A
Date: Tuesday, January 12, 2016	Sheet	32 of	40



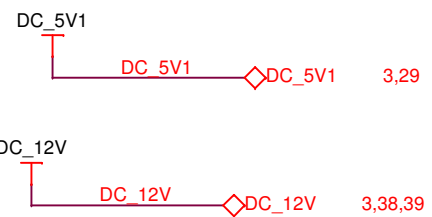
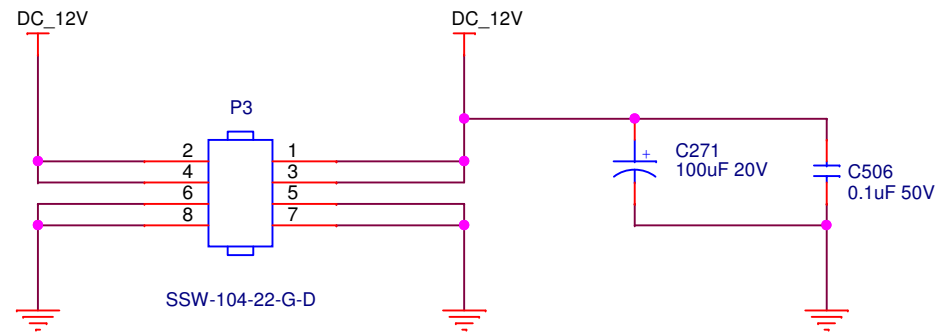
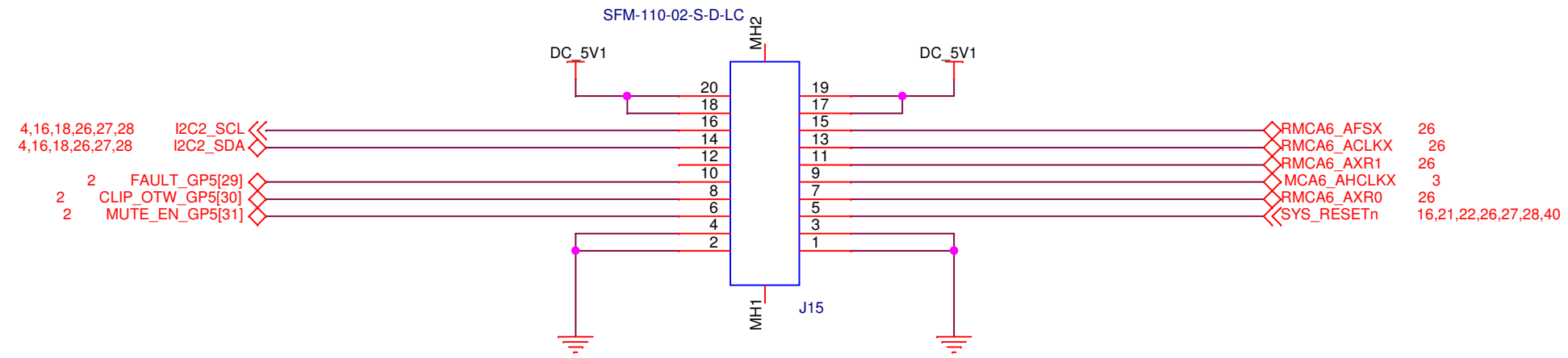
Texas Instruments			
Title: JAMR 3 APPLICATION BOARD			
Page Contents: AUDIO INPUT FILTERS			
Size: B	DWG NO	517182-0001	Revision: A
Date: Tuesday, January 12, 2016		Sheet 33 of	40



Texas Instruments			
Title: JAMR 3 APPLICATION BOARD			
Page Contents: MICROPHONE INTERFACE 1			
Size: B	DWG NO	517182-0001	Revision: A
Date: Tuesday, January 12, 2016	Sheet 34 of 40		

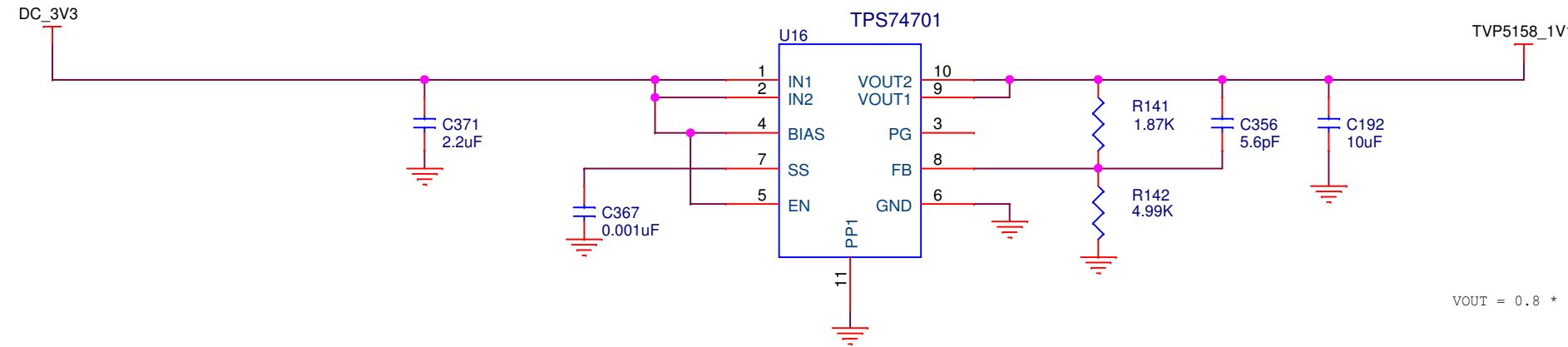


Texas Instruments			
Title: JAMR 3 APPLICATION BOARD			
Page Contents: MICROPHONE INTERFACE2			
Size: B	DWG NO	517182-0001	Revision: A
Date: Tuesday, January 12, 2016		Sheet	35 of 40

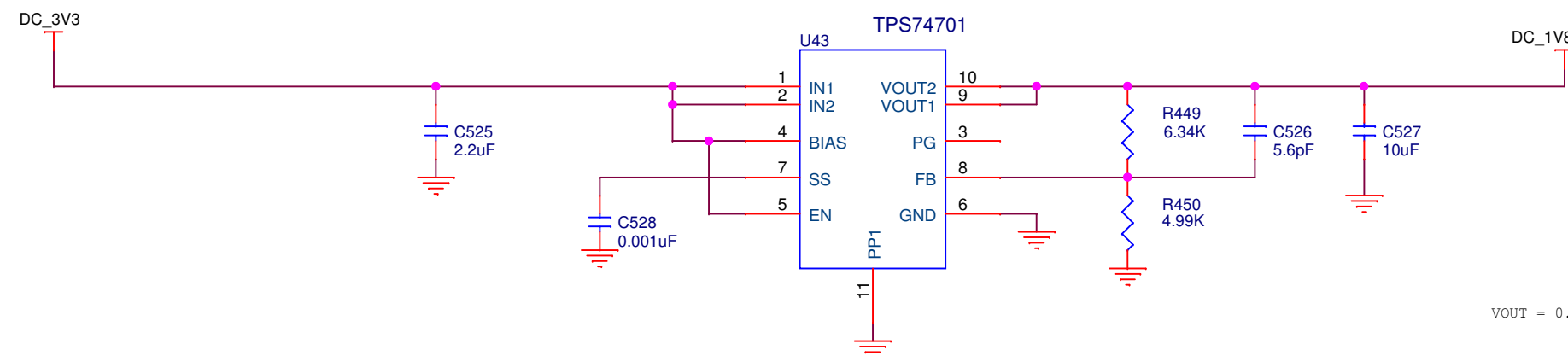


Texas Instruments			
Title: JAMR 3 APPLICATION BOARD			
Page Contents: AMPLIFIER INTERFACE			
Size: B	DWG NO	517182-0001	Revision: A
Date: Tuesday, January 12, 2016		Sheet 36 of	40

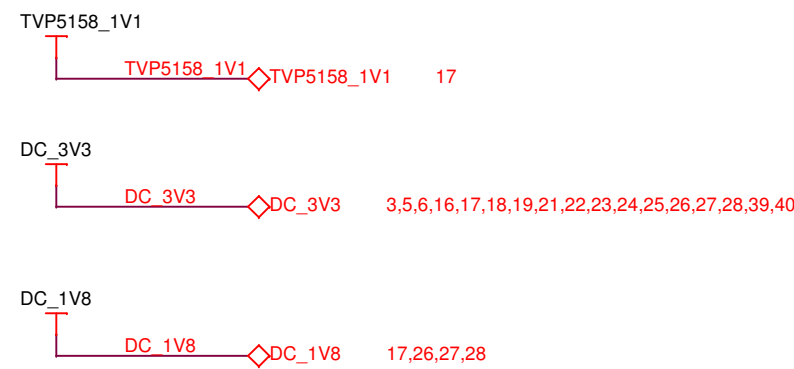
1.1 VOLTS AT 0.2 AMPS



$$VOUT = 0.8 * (1 + (RTOP/RBOTTOM))$$

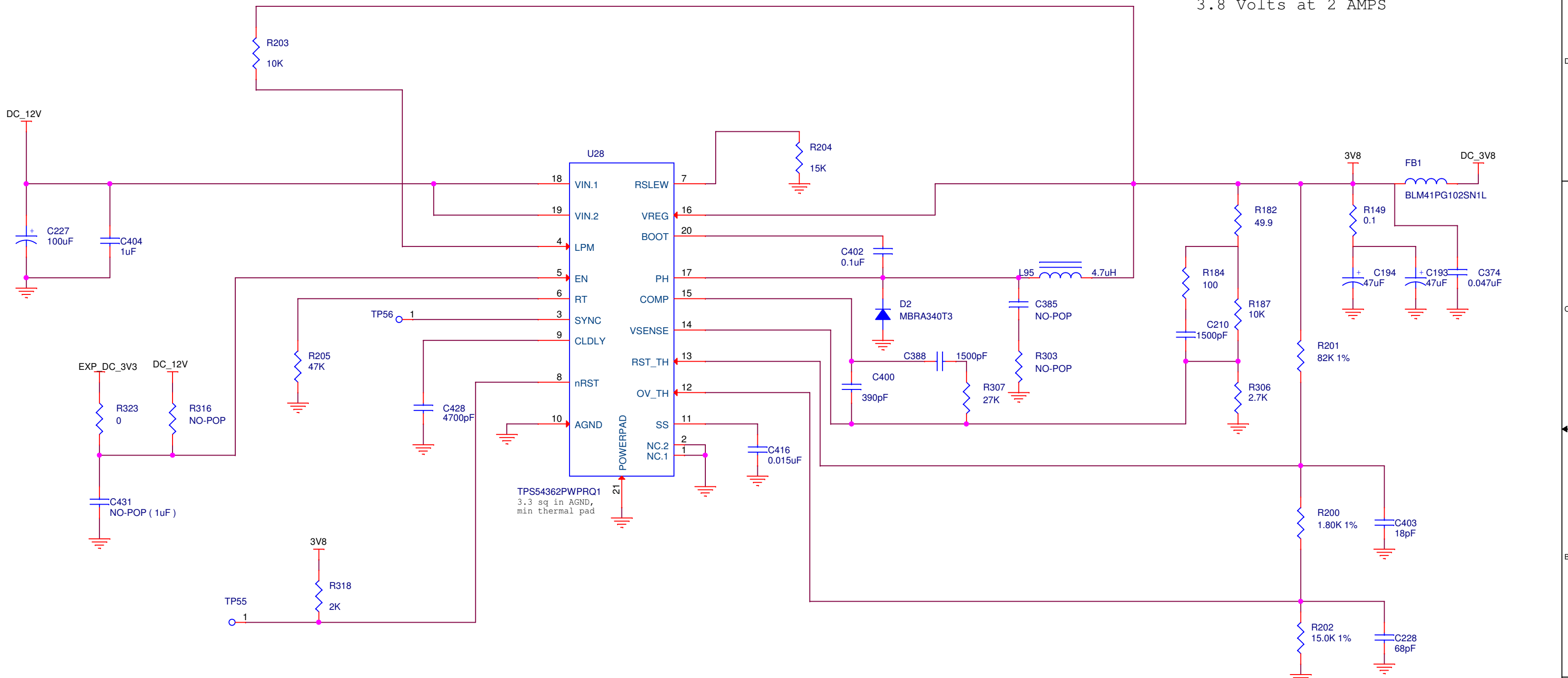


$$VOUT = 0.8 * (1 + (RTOP/RBOTTOM))$$

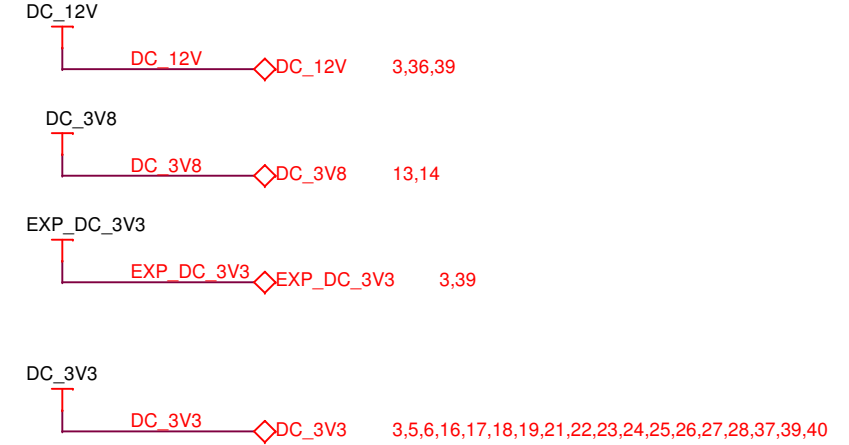
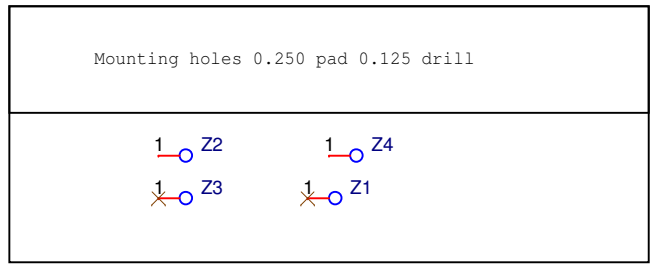


Texas Instruments		
Title: JAMR 3 APPLICATION BOARD		
Page Contents: 1V1 LDO		
Size: B	DWG NO 517182-0001	Revision: A
Date: Tuesday, January 12, 2016	Sheet 37 of 40	

3.8 Volts at 2 AMPS

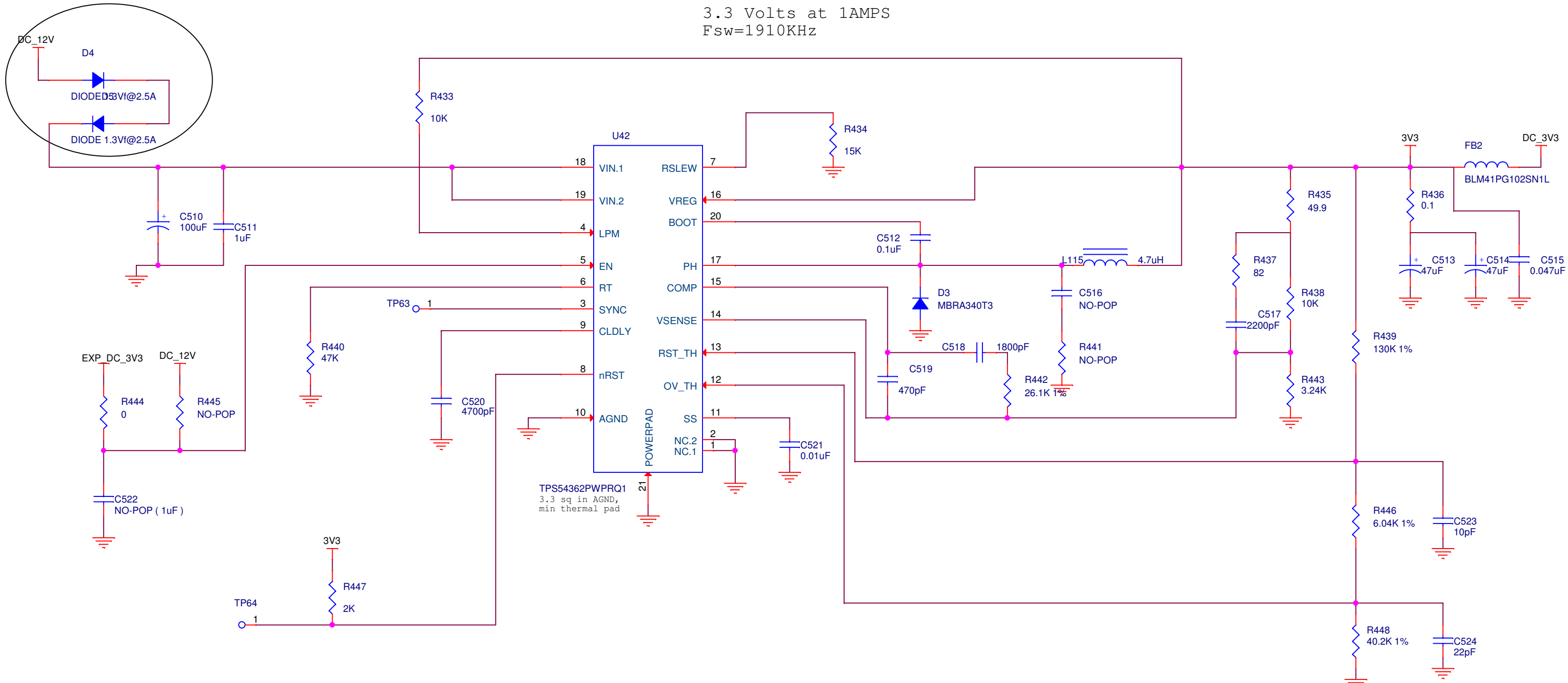


TPS54362PWPRQ1
3.3 sq in AGND,
min thermal pad

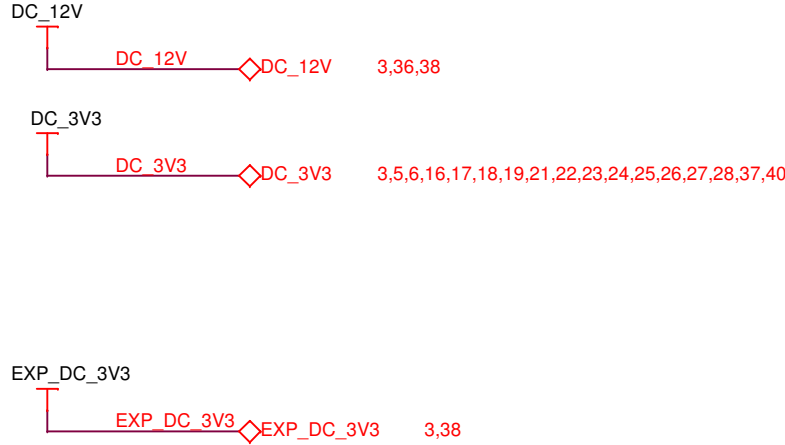


Texas Instruments			
Title: JAMR 3 APPLICATION BOARD			
Page Contents: 3.8V Regulator			
Size: B	DWG NO	517182-0001	Revision: A
Date: Tuesday, January 12, 2016	Sheet	38 of	40

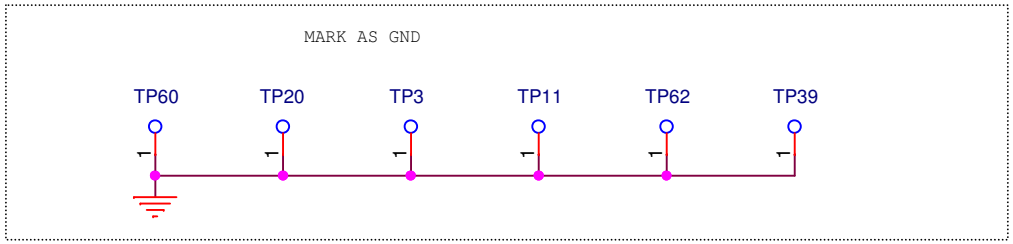
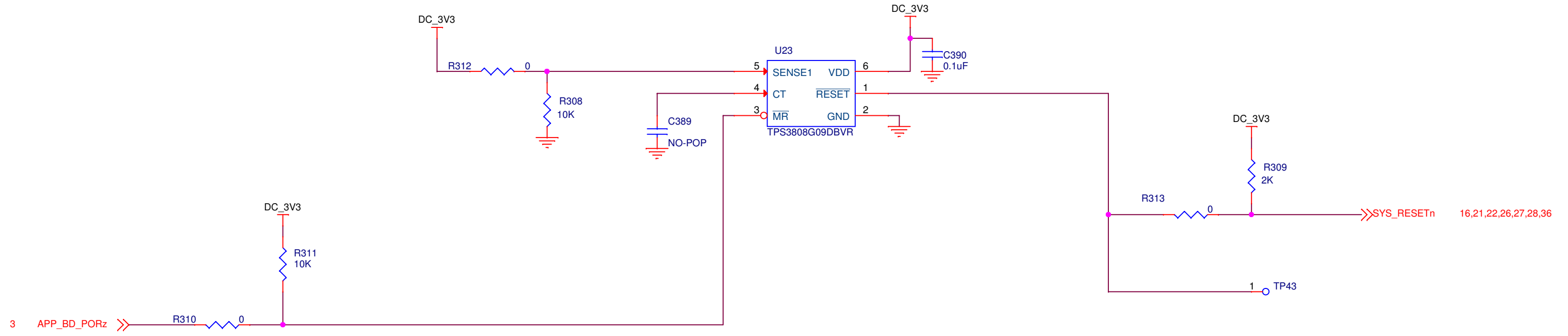
THESE DIODES DROP THE INPUT SUPPLY
 SO THAT THE TPS54362 CAN F_{sw}>1800KHz.
 CAN BE REPLACED WITH 2512 RESISTOR.



3.3 Volts at 1AMPS
 F_{sw}=1910KHz



Texas Instruments			
Title: JAMR 3 APPLICATION BOARD			
Page Contents: 3.8V Regulator			
Size: B	DWG NO	517182-0001	Revision: A
Date: Tuesday, January 12, 2016	Sheet 39 of 40		40



DC_1V8
 DC_1V8 ◇ DC_1V8 17,26,27,28,37

DC_3V3
 DC_3V3 ◇ DC_3V3 3,5,6,16,17,18,19,21,22,23,24,25,26,27,28,37,39

Texas Instruments		
Title: JAMR 3 APPLICATION BOARD		
Page Contents: SYSTEM RESET LOGIC		
Size: B	DWG NO 517182-0001	Revision: A
Date: Tuesday, January 12, 2016	Sheet 40 of	40

IMPORTANT NOTICE

Texas Instruments Incorporated and its subsidiaries (TI) reserve the right to make corrections, enhancements, improvements and other changes to its semiconductor products and services per JESD46, latest issue, and to discontinue any product or service per JESD48, latest issue. Buyers should obtain the latest relevant information before placing orders and should verify that such information is current and complete. All semiconductor products (also referred to herein as "components") are sold subject to TI's terms and conditions of sale supplied at the time of order acknowledgment.

TI warrants performance of its components to the specifications applicable at the time of sale, in accordance with the warranty in TI's terms and conditions of sale of semiconductor products. Testing and other quality control techniques are used to the extent TI deems necessary to support this warranty. Except where mandated by applicable law, testing of all parameters of each component is not necessarily performed.

TI assumes no liability for applications assistance or the design of Buyers' products. Buyers are responsible for their products and applications using TI components. To minimize the risks associated with Buyers' products and applications, Buyers should provide adequate design and operating safeguards.

TI does not warrant or represent that any license, either express or implied, is granted under any patent right, copyright, mask work right, or other intellectual property right relating to any combination, machine, or process in which TI components or services are used. Information published by TI regarding third-party products or services does not constitute a license to use such products or services or a warranty or endorsement thereof. Use of such information may require a license from a third party under the patents or other intellectual property of the third party, or a license from TI under the patents or other intellectual property of TI.

Reproduction of significant portions of TI information in TI data books or data sheets is permissible only if reproduction is without alteration and is accompanied by all associated warranties, conditions, limitations, and notices. TI is not responsible or liable for such altered documentation. Information of third parties may be subject to additional restrictions.

Resale of TI components or services with statements different from or beyond the parameters stated by TI for that component or service voids all express and any implied warranties for the associated TI component or service and is an unfair and deceptive business practice. TI is not responsible or liable for any such statements.

Buyer acknowledges and agrees that it is solely responsible for compliance with all legal, regulatory and safety-related requirements concerning its products, and any use of TI components in its applications, notwithstanding any applications-related information or support that may be provided by TI. Buyer represents and agrees that it has all the necessary expertise to create and implement safeguards which anticipate dangerous consequences of failures, monitor failures and their consequences, lessen the likelihood of failures that might cause harm and take appropriate remedial actions. Buyer will fully indemnify TI and its representatives against any damages arising out of the use of any TI components in safety-critical applications.

In some cases, TI components may be promoted specifically to facilitate safety-related applications. With such components, TI's goal is to help enable customers to design and create their own end-product solutions that meet applicable functional safety standards and requirements. Nonetheless, such components are subject to these terms.

No TI components are authorized for use in FDA Class III (or similar life-critical medical equipment) unless authorized officers of the parties have executed a special agreement specifically governing such use.

Only those TI components which TI has specifically designated as military grade or "enhanced plastic" are designed and intended for use in military/aerospace applications or environments. Buyer acknowledges and agrees that any military or aerospace use of TI components which have **not** been so designated is solely at the Buyer's risk, and that Buyer is solely responsible for compliance with all legal and regulatory requirements in connection with such use.

TI has specifically designated certain components as meeting ISO/TS16949 requirements, mainly for automotive use. In any case of use of non-designated products, TI will not be responsible for any failure to meet ISO/TS16949.

Products

Audio	www.ti.com/audio
Amplifiers	amplifier.ti.com
Data Converters	dataconverter.ti.com
DLP® Products	www.dlp.com
DSP	dsp.ti.com
Clocks and Timers	www.ti.com/clocks
Interface	interface.ti.com
Logic	logic.ti.com
Power Mgmt	power.ti.com
Microcontrollers	microcontroller.ti.com
RFID	www.ti-rfid.com
OMAP Applications Processors	www.ti.com/omap
Wireless Connectivity	www.ti.com/wirelessconnectivity

Applications

Automotive and Transportation	www.ti.com/automotive
Communications and Telecom	www.ti.com/communications
Computers and Peripherals	www.ti.com/computers
Consumer Electronics	www.ti.com/consumer-apps
Energy and Lighting	www.ti.com/energy
Industrial	www.ti.com/industrial
Medical	www.ti.com/medical
Security	www.ti.com/security
Space, Avionics and Defense	www.ti.com/space-avionics-defense
Video and Imaging	www.ti.com/video

TI E2E Community

e2e.ti.com