

Negative Input to Positive Output made SIMPLE

Akshay Mehta, Frank De Stasi

ABSTRACT

There can be quite a few applications that require a conversion from a negative input voltage to a positive output voltage. This design space along with being limited is not well explored. There are a few ways to go about doing it. In this application note we will go over the use of an integrated boost regulator to convert a negative input voltage to a positive output voltage.

Contents

1	Introduction	1
2	Application Details	2
3	Test Results	4
4	Conclusion	8
5	References	8

List of Figures

1	-12V _{IN} 5V _{OUT} 1A I _{OUT}	2
2	Design Schematic	2
3	Line Regulation at I _{OUT} = 1A	4
4	Efficiency Vs. I _{OUT}	5
5	Load Regulation	5
6	Maximum Output Current Vs. Input Voltage	6
7	Load Transient V _{IN} = -12V, V _{OUT} = 5V, I _{OUT} = 200mA to 2A	6
8	Startup V _{IN} = -12V, V _{OUT} = 5V, I _{OUT} = 1A	7
9	Top Layer	7
10	Bottom Layer (Flipped)	8

List of Tables

1	Design BOM	8
---	------------------	---

1 Introduction

The LM2587 is part of the LM258x family of SIMPLE SWITCHER® boost regulators from Texas Instruments. The internal NPN is capable of handling a voltage of 65V and has a current limit of 6.5A. The maximum input voltage that the device can handle is 40V. Thus this device makes a good candidate for Wide V_{IN} solutions. The design shown here is created for a typical input of -12V and an output of +5V at 2A load current, with a common ground between input and output. But it can handle an input voltage range of -6V to -40V. The following sections will talk about the operation. The intent of this application note is to investigate the method used to level shift the output voltage without going into details about BOM calculations. For details of calculating the BOM for a buck-boost topology, see application note [Understanding Buck-Boost Power Stages in Switchmode Power Supplies](#).

2 Application Details

The basic operation of this circuit is that of a buck-boost topology. When the NPN is on, the current through the inductor ramps up and when the NPN switches off the inductor current now flows towards the load and the output capacitors. The voltage across the NPN is $-V_{IN}$ and $+V_{OUT}$. Therefore the device chosen has to be able to sustain a total voltage of $V_{IN}+V_{OUT}$ across it. Throughout this application note V_{IN} denotes the absolute value of the input voltage. Figure 1 shows the steady state waveform. Figure 2 shows the design schematic.

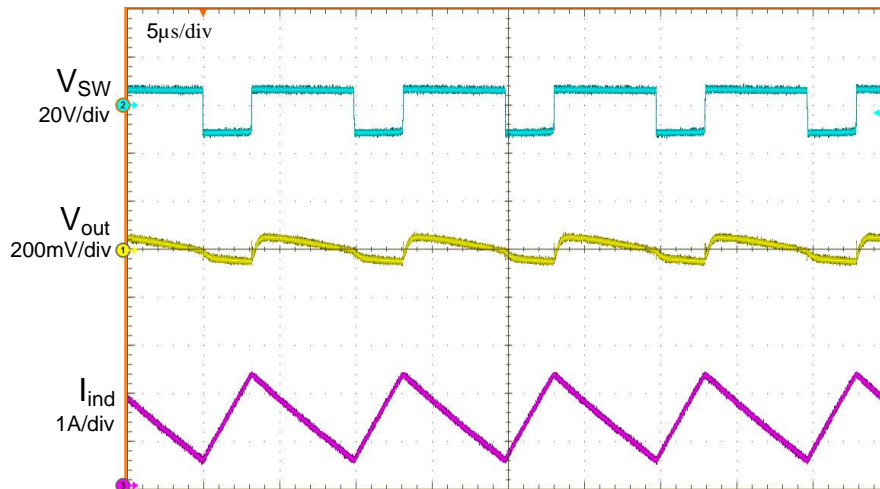


Figure 1. $-12V_{IN}$ $5V_{OUT}$ $1A I_{OUT}$

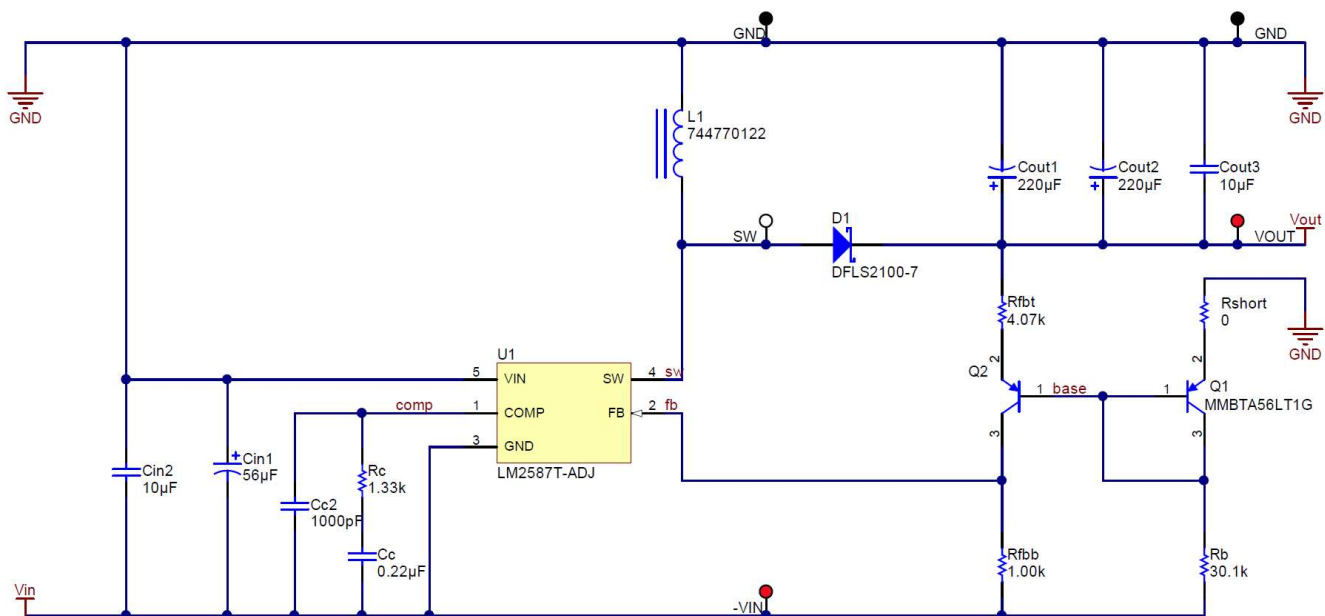


Figure 2. Design Schematic

In this design, the ground of the IC is referenced to the negative input voltage. To obtain a positive output, a level shifter is implemented using two PNP transistors. The advantage of using two transistors in this design is that the base-emitter diode voltage can be mostly nullified and the output can be more accurate. The base of the two transistors is pulled low to turn the transistors on. Since the emitter of Q1 is connected to ground, the base of both the transistors will be one diode drop below ground, i.e. $-V_{BE}$. Applying KCL at the FB node, we get:

$$I_1 = \frac{V_{OUT} + V_{BE1} - V_{BE2}}{R_{FBT}}$$

$$I_2 = \frac{V_{REF}}{R_{FBB}} \quad (1)$$

The reference voltage V_{REF} for the LM2587 is 1.2V. Setting R_{FBB} to be 1k Ω and equating I_1 and I_2 , we can obtain the value for R_{FBT} . When two transistors are matched as closely as possible, their V_{BE} s will be alike and cancel out. That way the output voltage can be made accurate. It is even better to find a package with two transistors in it. That way due to any change in temperature the two V_{BE} s will be still close. While this method gives more accurate output voltage it is still not completely robust. It is known that the V_{BE} of the transistor will depend on the collector current (I_C) as shown:

$$V_{BE} = V_T \cdot \ln\left(\frac{I_C}{I_S}\right) \quad (2)$$

With change in the collector current the V_{BE} will change accordingly. The bottom feedback resistor R_{FBB} is set to 1k Ω which sets a current of 1.2mA in the collector of the transistor Q2. Resistor R_B sets the collector current of transistor Q1. Its value is set to give a matching current at max input voltage. Therefore:

$$R_B \cong \frac{V_{IN}}{0.0012} \quad (3)$$

At 36V_{IN}, R_B is chosen to be 30k Ω . Now when the input voltage is reduced, because of the fixed resistor the collector current of Q1 reduces linearly. If Q2 collector current is twice as much as Q1 collector current then we can say the following:

$$V_{BE1} - V_{BE2} = \Delta V_{BE} = V_T \cdot \ln\left(\frac{2 \cdot I_C}{I_S} \cdot \frac{I_S}{I_C}\right) = V_T \cdot \ln(2) = 18\text{mV} \quad (4)$$

At room temperature V_T is 26mV. This means that ΔV_{BE} changes 18mV every time the collector current of Q1 is halved. This can be seen in [Figure 3](#) which shows the line regulation.

3 Test Results

The following scope plots and efficiency data were taken on the custom PCB. The layout is shown in [Figure 9](#) and [Figure 10](#) and the BOM used is shown in [Table 1](#).

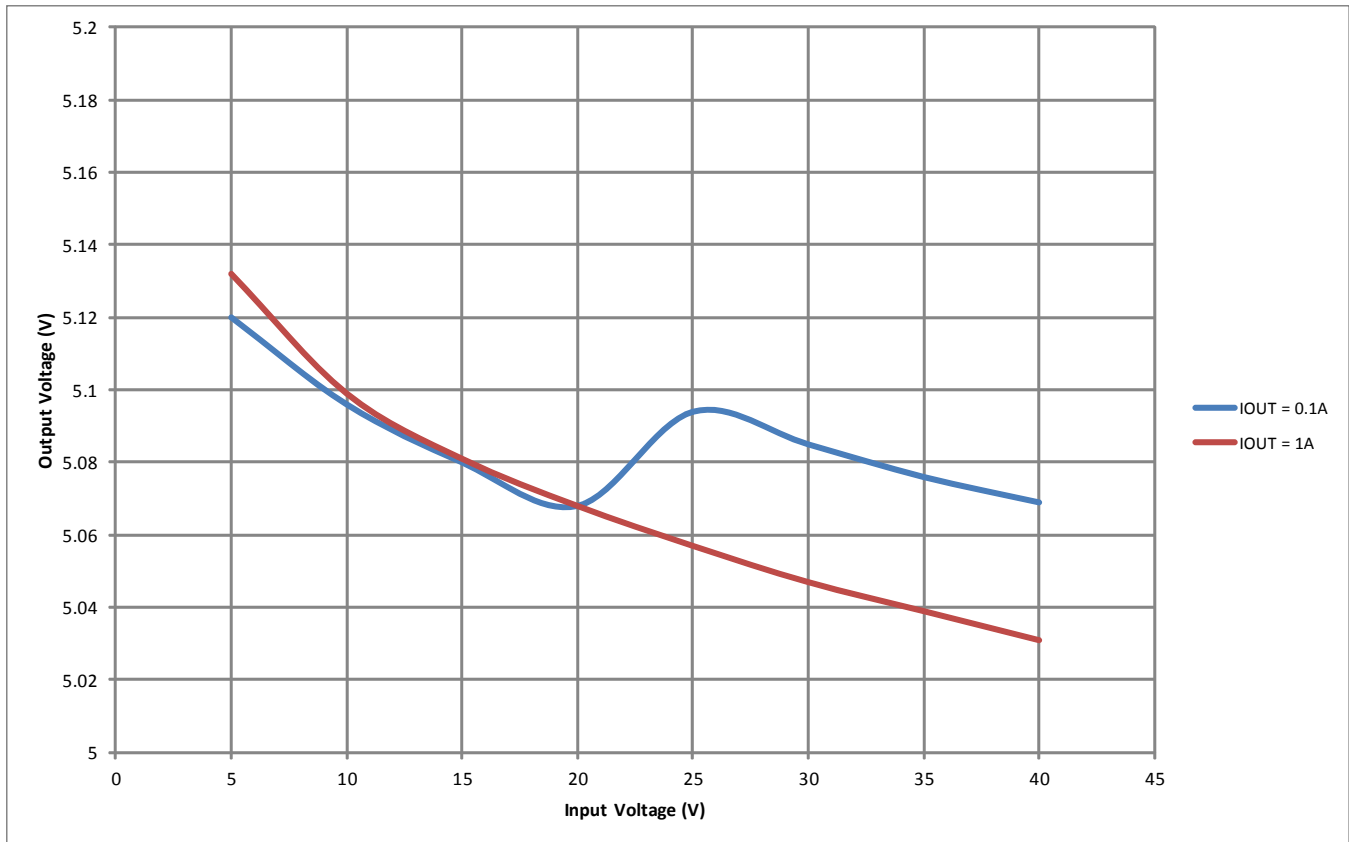


Figure 3. Line Regulation at I_{OUT} = 1A

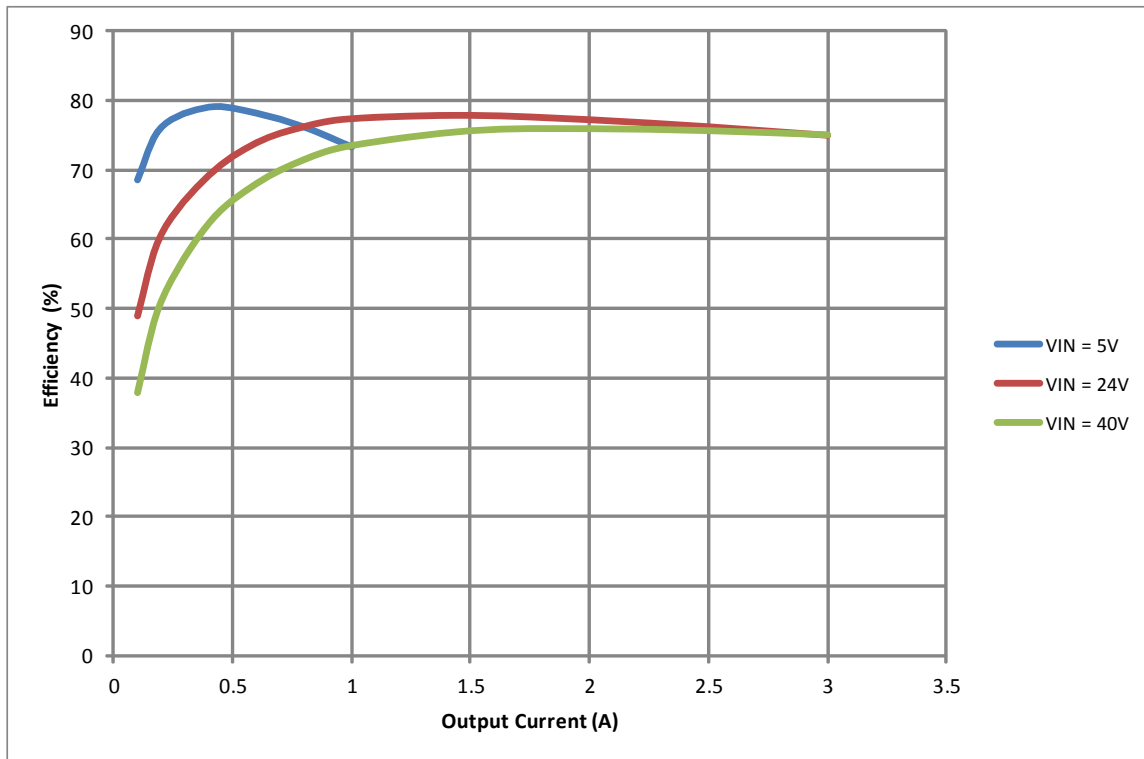


Figure 4. Efficiency Vs. I_{OUT}

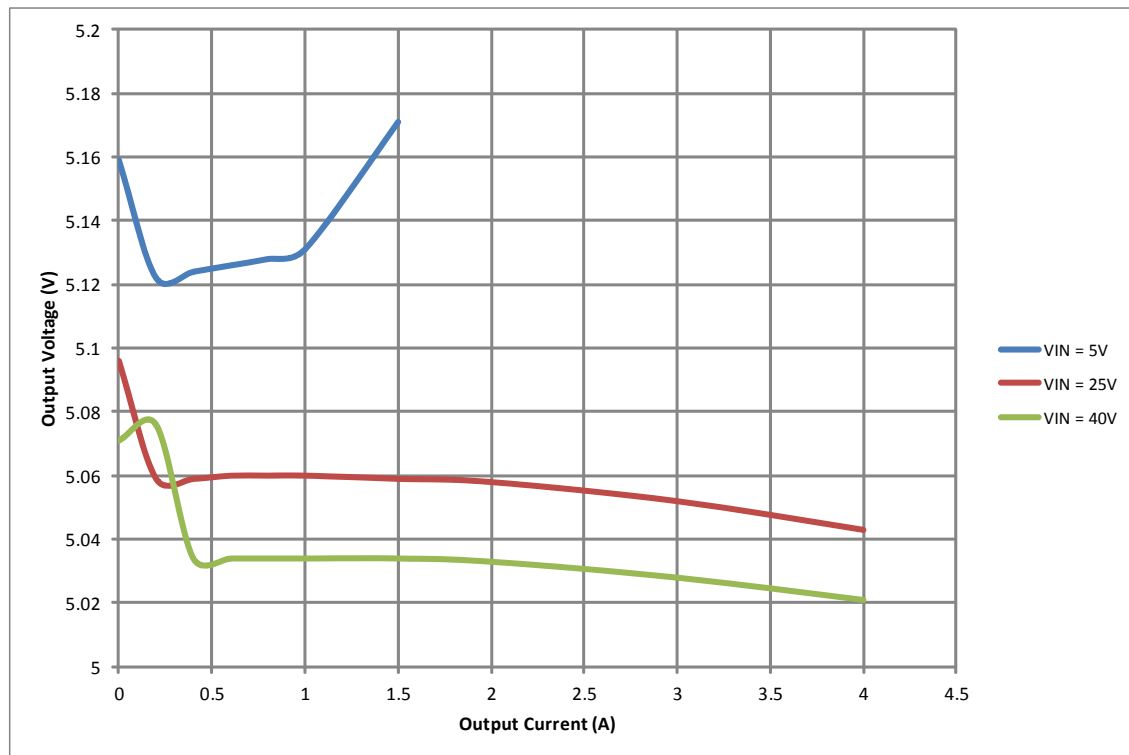


Figure 5. Load Regulation

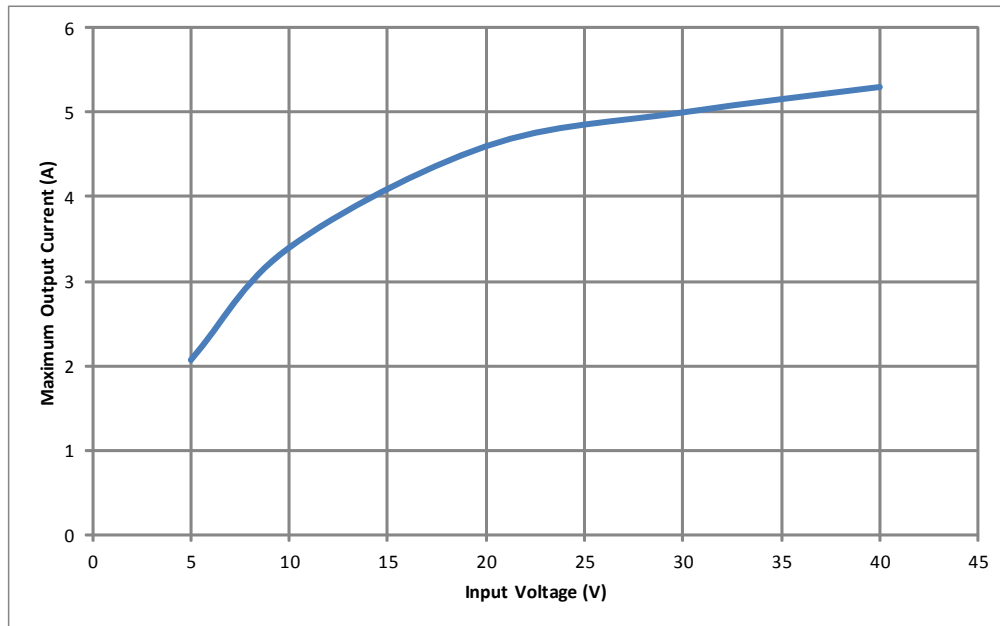


Figure 6. Maximum Output Current Vs. Input Voltage

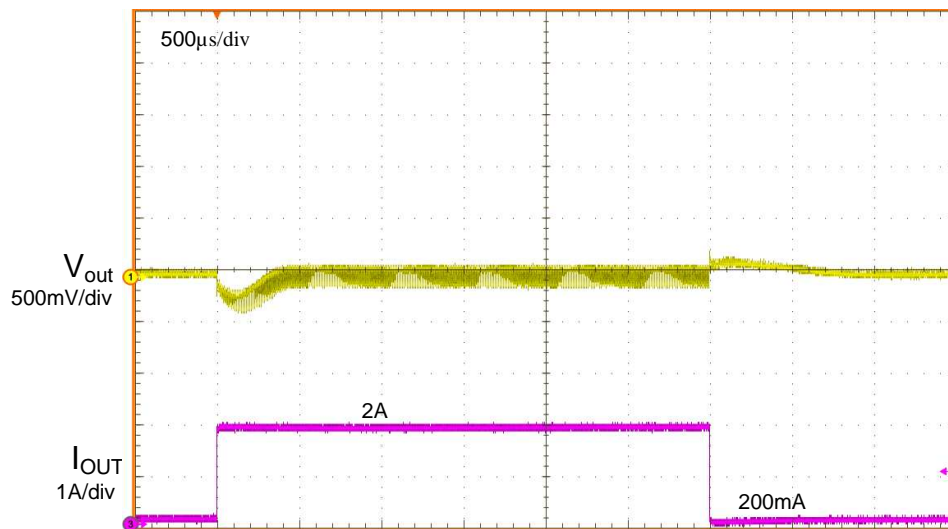


Figure 7. Load Transient $V_{IN} = -12V$, $V_{OUT} = 5V$, $I_{OUT} = 200mA$ to $2A$

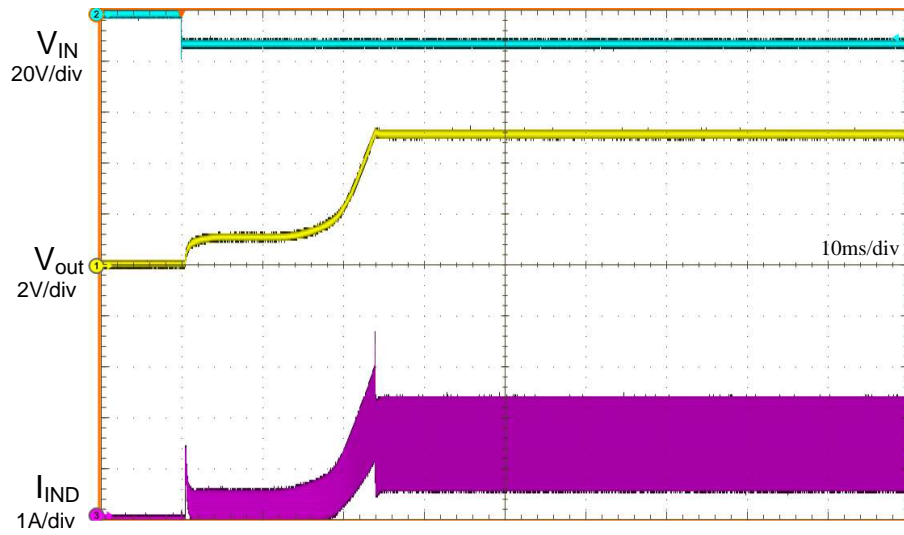


Figure 8. Startup $V_{IN} = -12V$, $V_{OUT} = 5V$, $I_{OUT} = 1A$

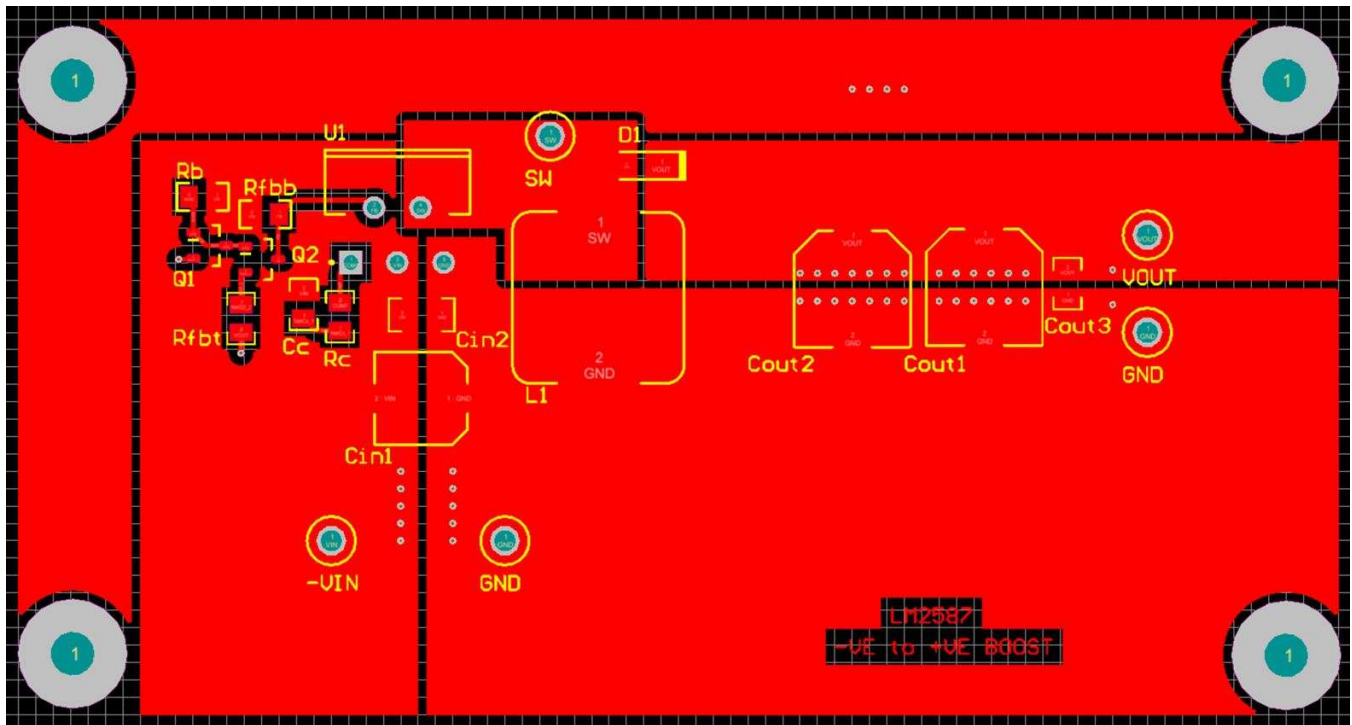


Figure 9. Top Layer

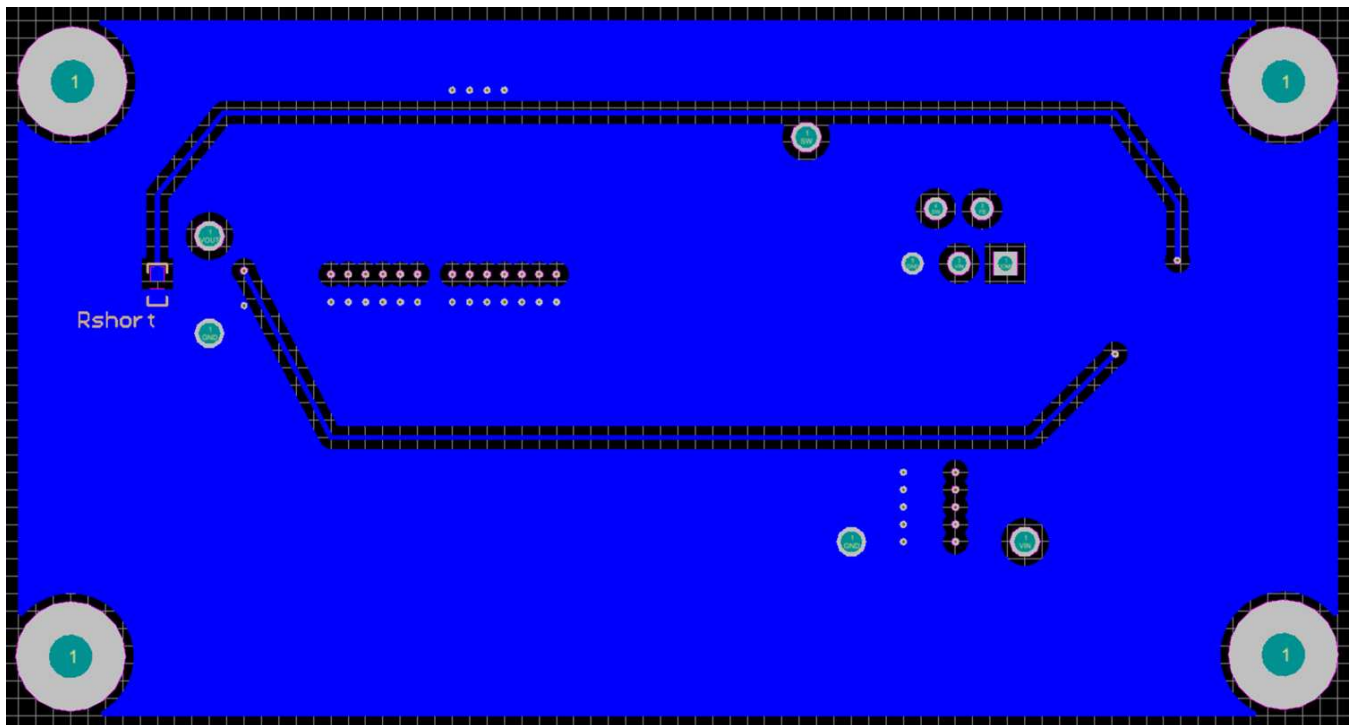


Figure 10. Bottom Layer (Flipped)

Table 1. Design BOM

DESIGNATOR	DESCRIPTION	PART NUMBER
Cc	CAP, CERM, 0.1 μ F, 25 V, +/- 10%, X7R, 0805	08053C104KAT2A
Cin1	CAP, AL, 10 μ F, 63 V, +/- 20%, ohm, SMD	EMVA630ADA100MF55G
Cin2	CAP, CERM, 1 μ F, 100 V, +/- 20%, X7R, 1206	C3216X7R2A105M160AA
Cout1, Cout2	CAP, AL, 220 μ F, 6.3 V, +/- 20%, 0.018 ohm, SMD	APXC6R3ARA221MH70G
Cout3	CAP, CERM, 1 μ F, 16 V, +/- 10%, X5R, 0805	0805YD105KAT2A
D1	Diode, Schottky, 100 V, 2 A, PowerDI123	DFLS2100-7
L1	Inductor, Shielded Drum Core, Ferrite, 22 μ H, 4.1 A, 0.033 ohm, SMD	744770122
Q1, Q2	Transistor, PNP, 80 V, 0.5 A, SOT-23	MMBTA56LT1G
Rb	RES, 30.1 k, 1%, 0.125 W, 0805	CRCW080530K1FKEA
Rc	RES, 1.33 k, 1%, 0.125 W, 0805	CRCW08051K33FKEA
Rfbb	RES, 1.00 k, 1%, 0.125 W, 0805	CRCW08051K00FKEA
Rfbt	RES, 4.07 k, 0.1%, 0.125 W, 0805	RT0805BRD074K07L

4 Conclusion

Thus we see that just by adding a couple of external components, a SIMPLE SWITCHER® boost regulator like the LM2587 could be used to create a positive output from a negative input using the buck-boost topology. The showcased design has good line regulation and load transient response.

5 References

1. [Understanding Buck-Boost Power Stages in Switch Mode Power Supplies](#)
2. [Converting Negative Input Voltages To Positive Output Voltages](#)

IMPORTANT NOTICE

Texas Instruments Incorporated and its subsidiaries (TI) reserve the right to make corrections, enhancements, improvements and other changes to its semiconductor products and services per JESD46, latest issue, and to discontinue any product or service per JESD48, latest issue. Buyers should obtain the latest relevant information before placing orders and should verify that such information is current and complete. All semiconductor products (also referred to herein as "components") are sold subject to TI's terms and conditions of sale supplied at the time of order acknowledgment.

TI warrants performance of its components to the specifications applicable at the time of sale, in accordance with the warranty in TI's terms and conditions of sale of semiconductor products. Testing and other quality control techniques are used to the extent TI deems necessary to support this warranty. Except where mandated by applicable law, testing of all parameters of each component is not necessarily performed.

TI assumes no liability for applications assistance or the design of Buyers' products. Buyers are responsible for their products and applications using TI components. To minimize the risks associated with Buyers' products and applications, Buyers should provide adequate design and operating safeguards.

TI does not warrant or represent that any license, either express or implied, is granted under any patent right, copyright, mask work right, or other intellectual property right relating to any combination, machine, or process in which TI components or services are used. Information published by TI regarding third-party products or services does not constitute a license to use such products or services or a warranty or endorsement thereof. Use of such information may require a license from a third party under the patents or other intellectual property of the third party, or a license from TI under the patents or other intellectual property of TI.

Reproduction of significant portions of TI information in TI data books or data sheets is permissible only if reproduction is without alteration and is accompanied by all associated warranties, conditions, limitations, and notices. TI is not responsible or liable for such altered documentation. Information of third parties may be subject to additional restrictions.

Resale of TI components or services with statements different from or beyond the parameters stated by TI for that component or service voids all express and any implied warranties for the associated TI component or service and is an unfair and deceptive business practice. TI is not responsible or liable for any such statements.

Buyer acknowledges and agrees that it is solely responsible for compliance with all legal, regulatory and safety-related requirements concerning its products, and any use of TI components in its applications, notwithstanding any applications-related information or support that may be provided by TI. Buyer represents and agrees that it has all the necessary expertise to create and implement safeguards which anticipate dangerous consequences of failures, monitor failures and their consequences, lessen the likelihood of failures that might cause harm and take appropriate remedial actions. Buyer will fully indemnify TI and its representatives against any damages arising out of the use of any TI components in safety-critical applications.

In some cases, TI components may be promoted specifically to facilitate safety-related applications. With such components, TI's goal is to help enable customers to design and create their own end-product solutions that meet applicable functional safety standards and requirements. Nonetheless, such components are subject to these terms.

No TI components are authorized for use in FDA Class III (or similar life-critical medical equipment) unless authorized officers of the parties have executed a special agreement specifically governing such use.

Only those TI components which TI has specifically designated as military grade or "enhanced plastic" are designed and intended for use in military/aerospace applications or environments. Buyer acknowledges and agrees that any military or aerospace use of TI components which have **not** been so designated is solely at the Buyer's risk, and that Buyer is solely responsible for compliance with all legal and regulatory requirements in connection with such use.

TI has specifically designated certain components as meeting ISO/TS16949 requirements, mainly for automotive use. In any case of use of non-designated products, TI will not be responsible for any failure to meet ISO/TS16949.

Products

Audio	www.ti.com/audio
Amplifiers	amplifier.ti.com
Data Converters	dataconverter.ti.com
DLP® Products	www.dlp.com
DSP	dsp.ti.com
Clocks and Timers	www.ti.com/clocks
Interface	interface.ti.com
Logic	logic.ti.com
Power Mgmt	power.ti.com
Microcontrollers	microcontroller.ti.com
RFID	www.ti-rfid.com
OMAP Applications Processors	www.ti.com/omap
Wireless Connectivity	www.ti.com/wirelessconnectivity

Applications

Automotive and Transportation	www.ti.com/automotive
Communications and Telecom	www.ti.com/communications
Computers and Peripherals	www.ti.com/computers
Consumer Electronics	www.ti.com/consumer-apps
Energy and Lighting	www.ti.com/energy
Industrial	www.ti.com/industrial
Medical	www.ti.com/medical
Security	www.ti.com/security
Space, Avionics and Defense	www.ti.com/space-avionics-defense
Video and Imaging	www.ti.com/video

TI E2E Community

e2e.ti.com