

LF347,LF353,LM324

Get More Power Out of Dual or Quad Op-Amps



Literature Number: SNOA862

Get More Power Out of Dual or Quad Op-Amps

National Semiconductor
Linear Brief 44
Bob Pease
April 1979



Although simple brute-force paralleling of op-amps is a bad scheme for driving heavy loads, here is a good scheme for dual op-amps. It is fairly efficient, and will not overheat if the load is disconnected. It is *not* useful for driving active loads or nonlinear loads, however.

In *Figure 1*, an LF353N mini-DIP can drive a 600Ω load to ±9V typical (±6V min guaranteed) and will have only a 47°C temperature rise above free air. If the load R is removed, the chip temperature will rise to +50°C above free air. Note that A2's task is to drive half of the load. A1 could be applied as a unity-gain follower or inverter, or as a high-gain or low-gain amplifier, integrator, etc.

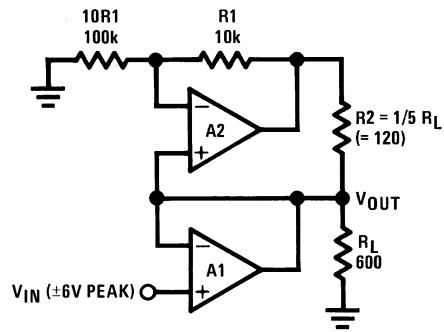
While *Figure 1* is suitable for sharing a load between 2 amplifiers, it is not suitable for 4 or more amplifiers, because the circuit would tend to go out of control and overheat if the load is disconnected.

Instead, *Figure 2* is generally recommended, as it is capable of driving large output currents into resistive, reactive, nonlinear, passive, or active loads. It is easily expandable to use as many as 2 or 4 or 8 or 20 or more op-amps, for driving heavier loads.

It operates, of course, on the principle that every op-amp has to put out the same current as A1, whether that current is plus, minus, or zero. Thus if the load is removed, all amplifiers will be unloaded together. A quad op-amp can drive 600Ω to ±11 or 12 volts. Two quads can put out ±40 mA, but they get only a little warm. A series R-C damper of 15Ω in

series with 0.047 μF is useful to prevent oscillations (although LM324's do not seem to need any R-C damper).

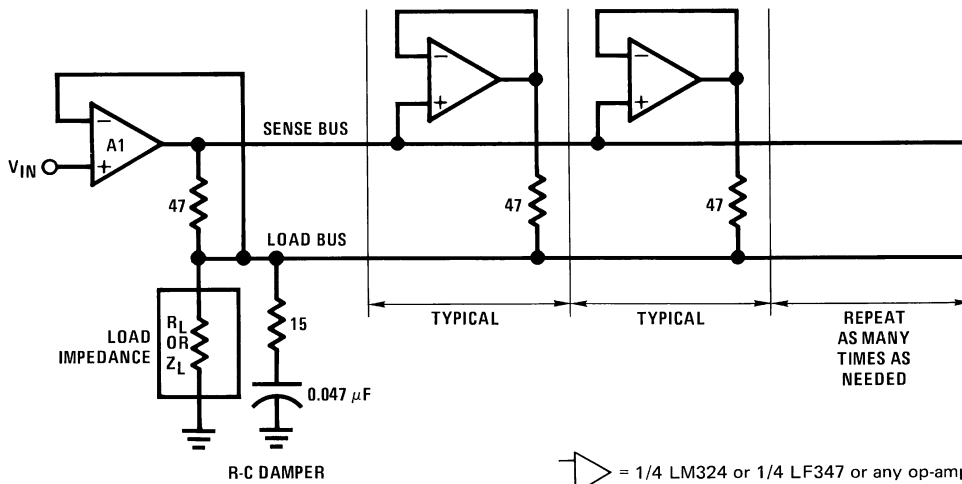
Of course, there is no requirement for the main amplifier to run only as a unity-gain amplifier. In the example shown in *Figure 3*, A1 amplifies a signal with a gain of +10. A2 helps it drive the load. Then A3 operates as a unity-gain inverter to provide $V_2 = -V_1$, and A4 helps it drive the load. This circuit can drive a floating 2000Ω load to ±20V, accurately, using a slow LM324 or a quick LF347.



00849301

A1, A2 = 1/2 LM747 or 1/2 LF353 or any op-amp.

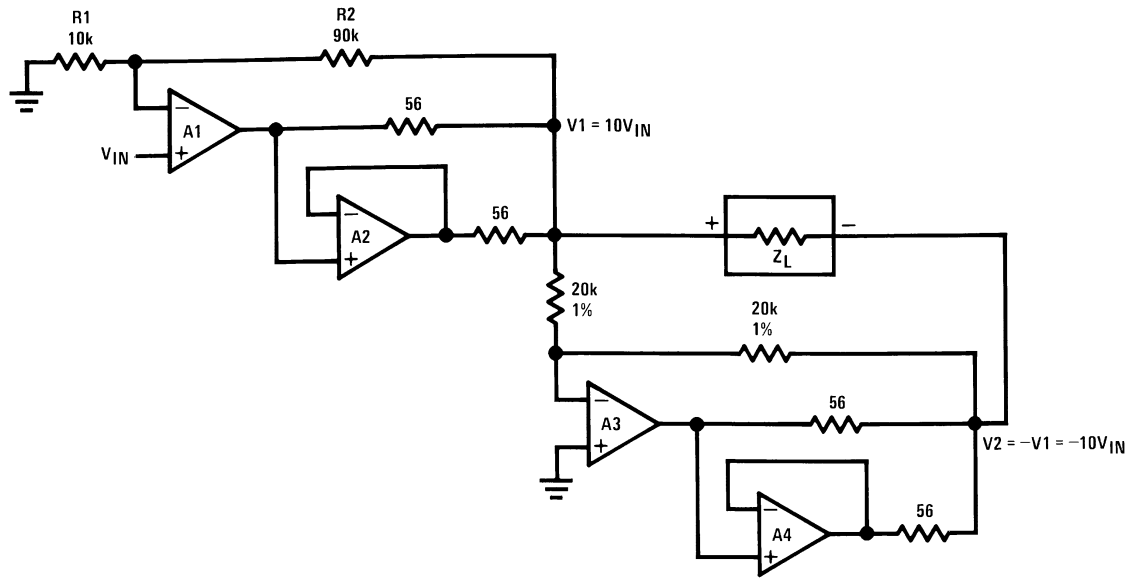
FIGURE 1. A1 and A2 Share the Load



00849302

FIGURE 2. Improved Load-Sharing Circuit

= 1/4 LM324 or 1/4 LF347 or any op-amp.



00849303

FIGURE 3. Typical Application of Load-Sharing

LIFE SUPPORT POLICY

NATIONAL'S PRODUCTS ARE NOT AUTHORIZED FOR USE AS CRITICAL COMPONENTS IN LIFE SUPPORT DEVICES OR SYSTEMS WITHOUT THE EXPRESS WRITTEN APPROVAL OF THE PRESIDENT AND GENERAL COUNSEL OF NATIONAL SEMICONDUCTOR CORPORATION. As used herein:

1. Life support devices or systems are devices or systems which, (a) are intended for surgical implant into the body, or (b) support or sustain life, and whose failure to perform when properly used in accordance with instructions for use provided in the labeling, can be reasonably expected to result in a significant injury to the user.
2. A critical component is any component of a life support device or system whose failure to perform can be reasonably expected to cause the failure of the life support device or system, or to affect its safety or effectiveness.



National Semiconductor Corporation
Americas
Email: support@nsc.com

National Semiconductor Europe
Fax: +49 (0) 180-530 85 86
Email: europe.support@nsc.com
Deutsch Tel: +49 (0) 69 9508 6208
English Tel: +44 (0) 870 24 0 2171
Français Tel: +33 (0) 1 41 91 8790

National Semiconductor Asia Pacific Customer Response Group
Tel: 65-2544466
Fax: 65-2504466
Email: ap.support@nsc.com

National Semiconductor Japan Ltd.
Tel: 81-3-5639-7560
Fax: 81-3-5639-7507

www.national.com

IMPORTANT NOTICE

Texas Instruments Incorporated and its subsidiaries (TI) reserve the right to make corrections, modifications, enhancements, improvements, and other changes to its products and services at any time and to discontinue any product or service without notice. Customers should obtain the latest relevant information before placing orders and should verify that such information is current and complete. All products are sold subject to TI's terms and conditions of sale supplied at the time of order acknowledgment.

TI warrants performance of its hardware products to the specifications applicable at the time of sale in accordance with TI's standard warranty. Testing and other quality control techniques are used to the extent TI deems necessary to support this warranty. Except where mandated by government requirements, testing of all parameters of each product is not necessarily performed.

TI assumes no liability for applications assistance or customer product design. Customers are responsible for their products and applications using TI components. To minimize the risks associated with customer products and applications, customers should provide adequate design and operating safeguards.

TI does not warrant or represent that any license, either express or implied, is granted under any TI patent right, copyright, mask work right, or other TI intellectual property right relating to any combination, machine, or process in which TI products or services are used. Information published by TI regarding third-party products or services does not constitute a license from TI to use such products or services or a warranty or endorsement thereof. Use of such information may require a license from a third party under the patents or other intellectual property of the third party, or a license from TI under the patents or other intellectual property of TI.

Reproduction of TI information in TI data books or data sheets is permissible only if reproduction is without alteration and is accompanied by all associated warranties, conditions, limitations, and notices. Reproduction of this information with alteration is an unfair and deceptive business practice. TI is not responsible or liable for such altered documentation. Information of third parties may be subject to additional restrictions.

Resale of TI products or services with statements different from or beyond the parameters stated by TI for that product or service voids all express and any implied warranties for the associated TI product or service and is an unfair and deceptive business practice. TI is not responsible or liable for any such statements.

TI products are not authorized for use in safety-critical applications (such as life support) where a failure of the TI product would reasonably be expected to cause severe personal injury or death, unless officers of the parties have executed an agreement specifically governing such use. Buyers represent that they have all necessary expertise in the safety and regulatory ramifications of their applications, and acknowledge and agree that they are solely responsible for all legal, regulatory and safety-related requirements concerning their products and any use of TI products in such safety-critical applications, notwithstanding any applications-related information or support that may be provided by TI. Further, Buyers must fully indemnify TI and its representatives against any damages arising out of the use of TI products in such safety-critical applications.

TI products are neither designed nor intended for use in military/aerospace applications or environments unless the TI products are specifically designated by TI as military-grade or "enhanced plastic." Only products designated by TI as military-grade meet military specifications. Buyers acknowledge and agree that any such use of TI products which TI has not designated as military-grade is solely at the Buyer's risk, and that they are solely responsible for compliance with all legal and regulatory requirements in connection with such use.

TI products are neither designed nor intended for use in automotive applications or environments unless the specific TI products are designated by TI as compliant with ISO/TS 16949 requirements. Buyers acknowledge and agree that, if they use any non-designated products in automotive applications, TI will not be responsible for any failure to meet such requirements.

Following are URLs where you can obtain information on other Texas Instruments products and application solutions:

Products

Audio	www.ti.com/audio
Amplifiers	amplifier.ti.com
Data Converters	dataconverter.ti.com
DLP® Products	www.dlp.com
DSP	dsp.ti.com
Clocks and Timers	www.ti.com/clocks
Interface	interface.ti.com
Logic	logic.ti.com
Power Mgmt	power.ti.com
Microcontrollers	microcontroller.ti.com
RFID	www.ti-rfid.com
OMAP Mobile Processors	www.ti.com/omap
Wireless Connectivity	www.ti.com/wirelessconnectivity

Applications

Communications and Telecom	www.ti.com/communications
Computers and Peripherals	www.ti.com/computers
Consumer Electronics	www.ti.com/consumer-apps
Energy and Lighting	www.ti.com/energy
Industrial	www.ti.com/industrial
Medical	www.ti.com/medical
Security	www.ti.com/security
Space, Avionics and Defense	www.ti.com/space-avionics-defense
Transportation and Automotive	www.ti.com/automotive
Video and Imaging	www.ti.com/video

TI E2E Community Home Page

e2e.ti.com

Mailing Address: Texas Instruments, Post Office Box 655303, Dallas, Texas 75265
Copyright © 2011, Texas Instruments Incorporated