

AN-272 Op Amp Booster Designs

ABSTRACT

This application report describes the output "booster," or post amplifier, designs required to achieve needed voltage or current gain in applications that require substantially greater output voltage swing or current (or both) than IC amplifiers can deliver.

Contents

1	Introduction	2
2	200 mA Current Booster	2
3	Ultra High Speed Fed-Forward Current Booster	4
4	Voltage-Current Booster	6
5	±120V Swing Booster	7
6	High Current Booster	9
7	Indestructible, Floating Output Booster	10
8	1000V-300 mA Booster	11
9	300V Output Booster	13

List of Figures

1	Current Booster Circuit	3
2	100 kHz 20 Vp-p Sine Wave	4
3	Feed-Forward Network Circuit	5
4	Amplifier Booster	6
5	Double Voltage Swing Across Load Circuit	7
6	Voltage Gain from Complementary Common Base Stage Circuit	8
7	±100V Square Wave	9
8	High Current Loads Served by Booster Circuit	10
9	Current-Voltage Booster for AC Signals Circuit	11
10	Son of Godzilla Booster	12
11	Response of Boosted LF411 When 10V Pulse Applied to Circuit Input	13
12	300V Output Booster Circuit	14
13	Amplified Booster Response at a Gain of About 25	15

List of Tables

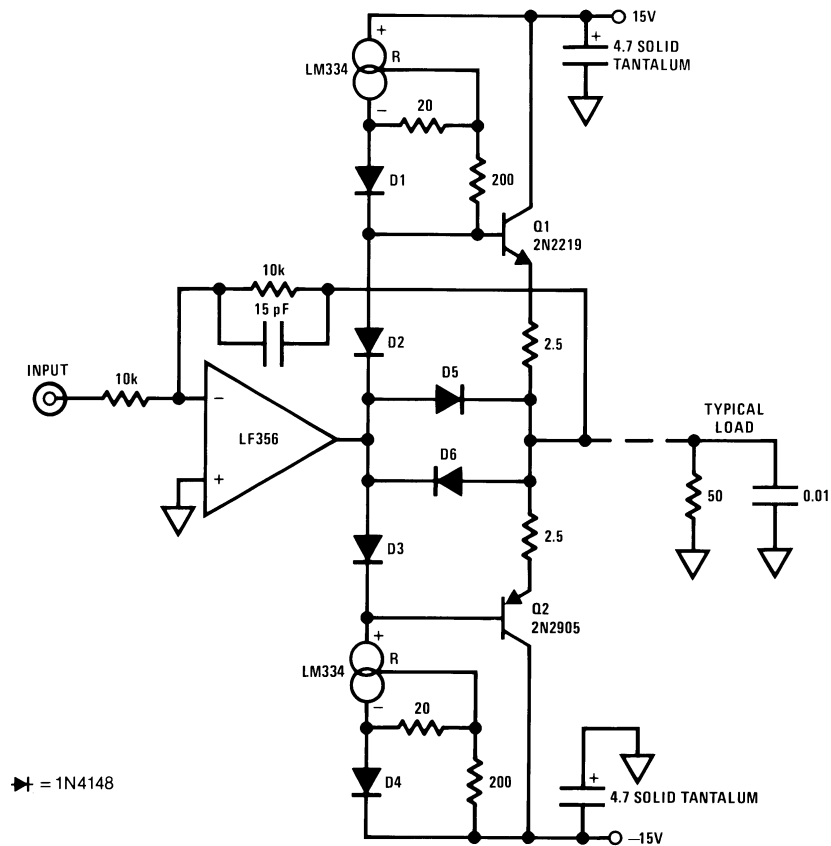
1	Booster Comparisons	15
---	---------------------------	----

1 Introduction

Although modern integrated circuit operational amplifiers ease linear circuit design, IC processing limits amplifier output power. Many applications, however, require substantially greater output voltage swing or current (or both) than IC amplifiers can deliver. In these situations an output "booster," or post amplifier, is required to achieve the needed voltage or current gain. Normally, this stage is placed within the feedback loop of the operational amplifier so that the low drift and stable gain characteristics of the amplifier are retained. Because the booster is a gain stage with its own inherent AC characteristics, the issues of phase shift, oscillation, and frequency response cannot be ignored if the booster and amplifier are to work well together. The design of booster stages which achieve power gain while maintaining good dynamic performance is a difficult challenge. The circuitry for boosters will change with the application's requirements, which can be very diverse. A typical current gain stage is shown in [Figure 1](#).

2 200 mA Current Booster

The circuit of [Figure 1](#) boosts the LF356 unity gain inverter amplifier's output current to a ± 200 mA level while maintaining a full ± 12 V output swing. The LM334 current sources are used to bias complementary emitter-followers. The 200Ω resistors and D1-D4 diodes associated with the LM334s provide temperature compensation for the current sources, while the 20Ω resistor sets the current value at 3.5 mA. Q1 provides drive for positive LF356 output swings, while Q2 sinks current for negative amplifier outputs. Crossover distortion is avoided by the D2-D3 diodes which compensate the V_{BE} s of Q1 and Q2. For best results, D2 and D3 would be thermally coupled to the TO-5 type heat sinks used for Q1 and Q2. Amplifier feedback is taken from the booster output and returned to the LF356 summing junction. D5 and D6 achieve short circuit protection for the output by shunting drive from Q1 or Q2 when output current exceeds about 275 mA. This value is derived from the output 2.5Ω resistors value divided by the 0.7V drop across the diodes. The 15 pF-10k feedback values provide a roll-off above 2 MHz. [Figure 2](#) shows the circuit at work driving a 100 kHz 20 Vp-p sine wave into a 50Ω load paralleled by 10,000 pF. Trace A is the input, while Trace B is the output. Despite the heavy load, response is clean below and quick with overall circuit distortion 0.05% (Trace C).



▶ = 1N4148

Use TO-5 heat sinks on transistors
All capacitor values in μF unless otherwise noted

Figure 1. Current Booster Circuit

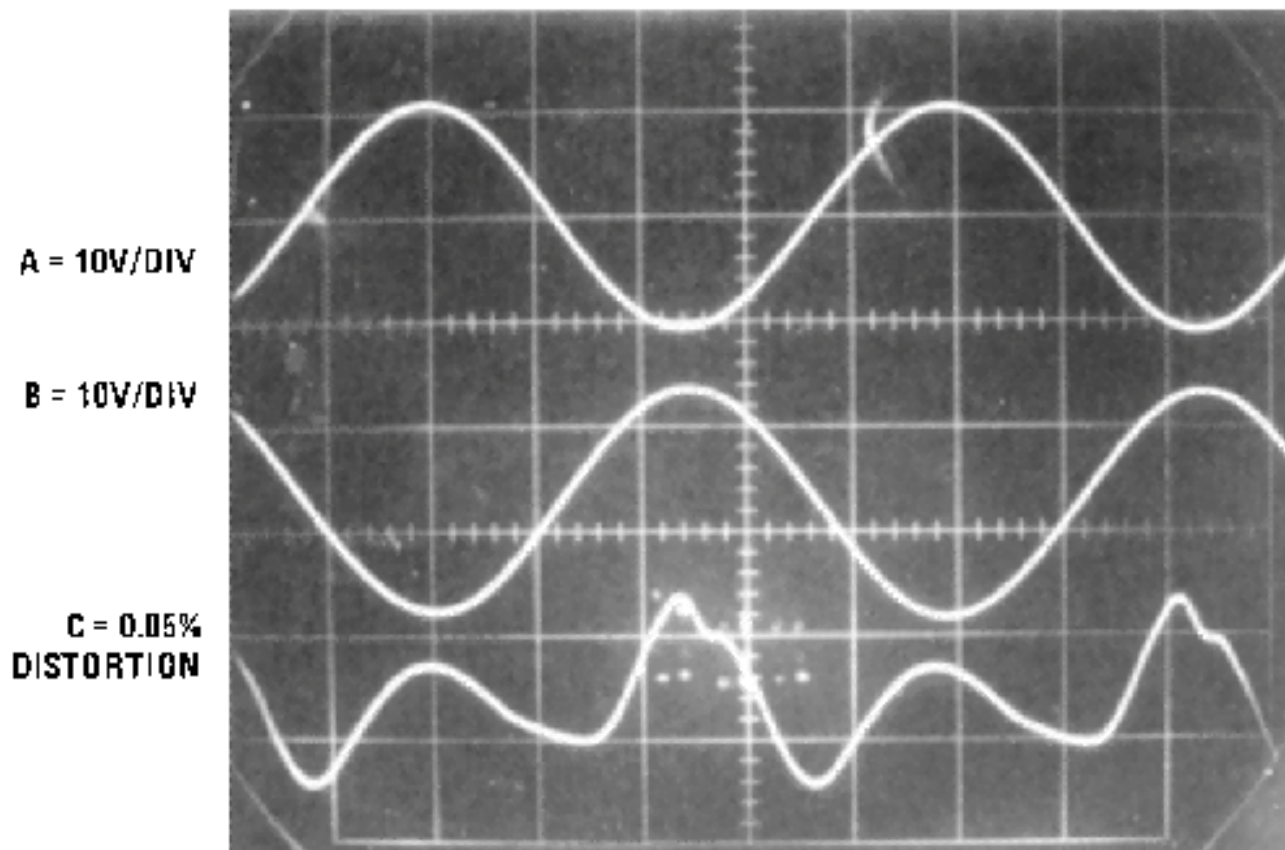
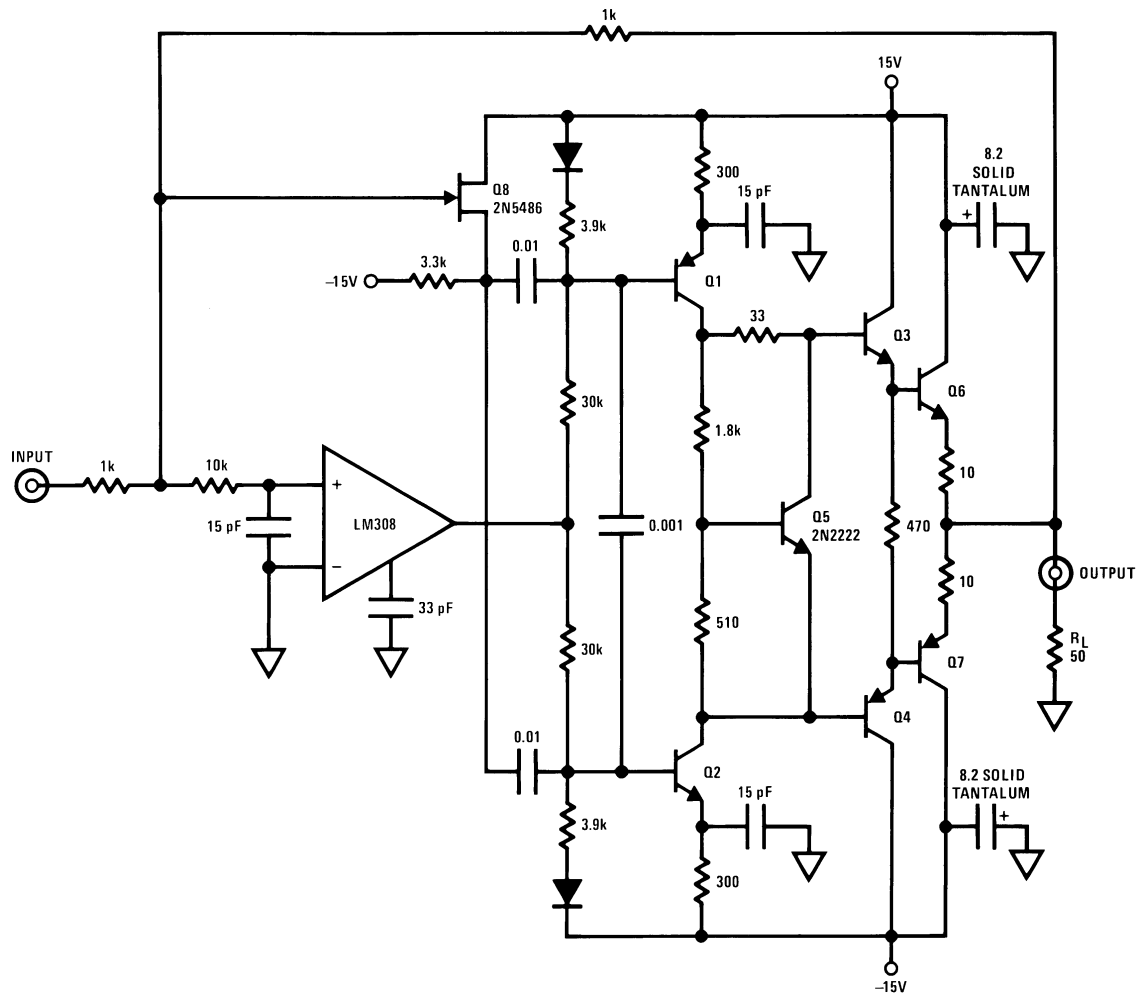


Figure 2. 100 kHz 20 Vp-p Sine Wave

3 Ultra High Speed Fed-Forward Current Booster

The schematic of [Figure 3](#) features the same output specifications as the previous current booster, but provides much greater speed. The speed of the booster in [Figure 1](#) is limited by the response of the op amp which drives it. Because that booster resides in the op amp's feedback loop, it cannot go any faster than the op amp, even though it has inherently greater bandwidth. In [Figure 3](#) we employ a feed-forward network which allows AC signals to bypass the LM308 op amp and directly drive a very high bandwidth current boost stage. At DC and low frequencies the LM308 provides the signal path to the booster. In this fashion, a very high speed, high current output is achieved without sacrificing the DC stability of the op amp. The output stage is made up of the Q1 and Q2 current sources which bias complementary emitter-followers, Q3-Q6 and Q4-Q7. Because the stage inverts, feedback is returned to the non-inverting input of the LM308. The actual summing junction for the circuit is the meeting point of the 1k resistors and the 10k unit at the LM308. The 10k-15 pF combination prevents the LM308 from seeing high frequency inputs. Instead, these inputs are source-followed by the Q8 FET and fed directly to the output stage via the two 0.01 μ F capacitors. The LM308, therefore, is used to maintain loop stability only at DC and low frequencies. Although this arrangement is substantially more complex than [Figure 1](#), the result is a breathtaking increase in speed. This boosted amplifier features a slew rate of 750V per microsecond, a full power bandwidth over 6 MHz and a 3 dB point beyond 11 MHz while retaining a ± 12 V, 200 mA output. [Figure 4](#) shows the amplifier-booster at work. Trace A is the input, while Trace B is the output. The booster drives a 10V pulse into 50 Ω , with rise and fall times inside 15 ns and clean settling characteristics.



PNP=2N2905
 NPN=2N2219 unless noted
 TO-5 heat sinks for Q6-Q7

Figure 3. Feed-Forward Network Circuit

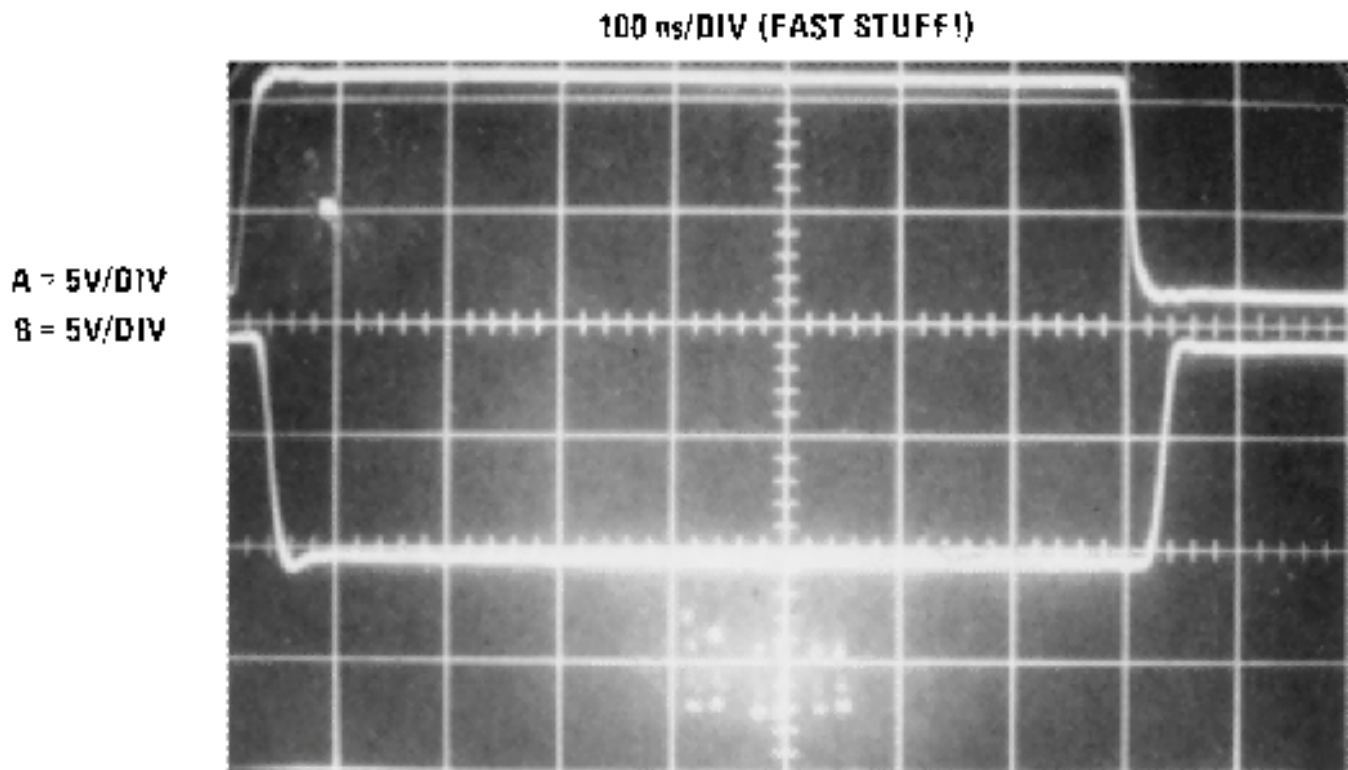


Figure 4. Amplifier Booster

4 Voltage-Current Booster

In many applications it is desirable to obtain voltage gain from a booster stage. Most monolithic amplifiers will only swing $\pm 12\text{V}$, although some types, such as the LM143, can swing $\pm 35\text{V}$. The circuit of [Figure 5](#) shows a simple way to effectively double the voltage swing across a load by stacking or "bridging" amplifier outputs. In the circuit shown, LF0002 current amplifiers are included in each LF412 output to provide current drive capability. Because one amplifier inverts and the other does not, the load sees 24V across it for $\pm 12\text{V}$ swings from each amplifier. With the LH0002 current buffers, 24V can be placed across a 250Ω load. Although this circuit is simple and no high voltage supplies are needed, it requires that the load float with respect to ground.

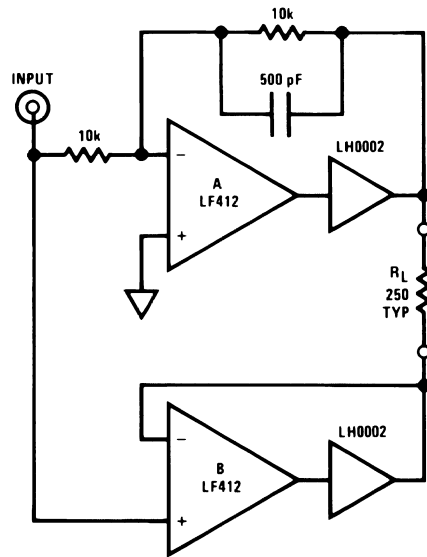
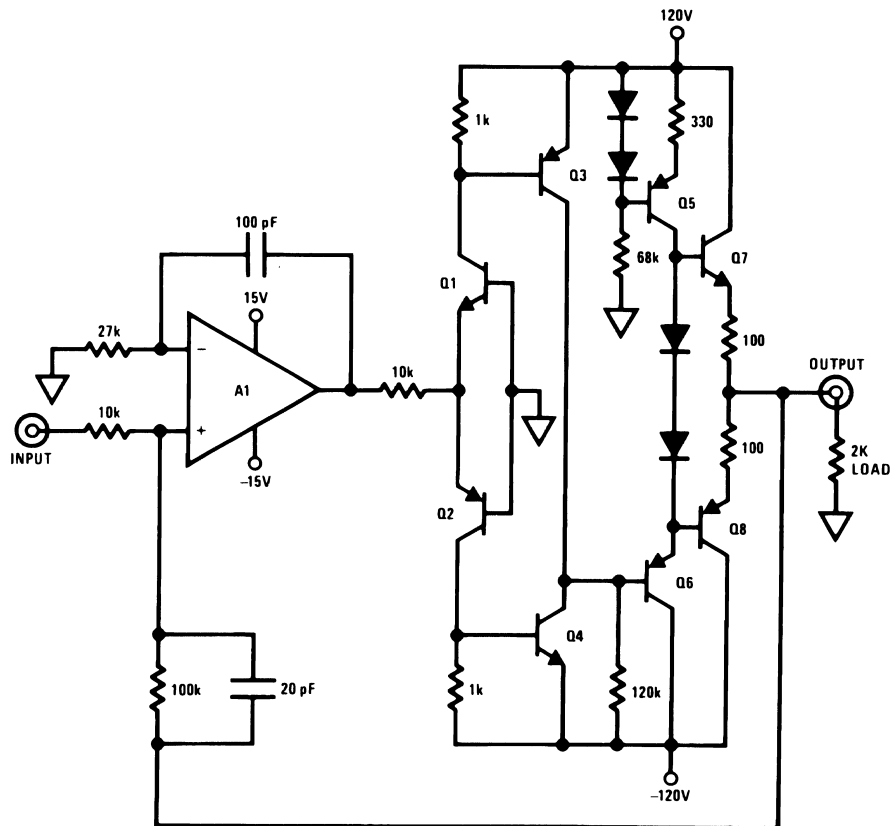


Figure 5. Double Voltage Swing Across Load Circuit

5 $\pm 120V$ Swing Booster

In [Figure 6](#) the load does not have to float from ground to be driven at high voltage. This booster will drive a 2000Ω load to $\pm 100V$ with good speed. In this circuit, voltage gain is obtained from the complementary common base stage, Q1-Q2. Q3 and Q4 provide additional gain to the Q7-Q8 complementary emitter-follower output stage. Q5 and Q6 provide bias, and crossover distortion is minimized by the diodes in Q5's collector line. For $\pm 10V$ input signals, A1 must operate at a minimum gain of 10 to achieve a $\pm 100V$ swing at the output. In this case, 10k-100k feedback values are used for a gain of ten, and the 20 pF capacitor provides loop roll-off. Because the booster contains an inverting stage (Q3-Q4), overall feedback is returned to A1's positive input. Local AC feedback at A1's negative input provides circuit dynamic stability. With its ± 50 mA output, this booster yields currents as well as voltage gain. In many applications, such as CRT deflection plate driving, this current capability is not required. If this is the case, Q5 through Q8 and their associated components can be eliminated and the output and feedback taken directly from the Q3-Q4 collector line. Under these conditions, resistive output loading should not exceed $1\text{ M}\Omega$ or significant crossover distortion will appear. Since deflection plates are a pure capacitive load, this is usually not a problem. [Figure 7](#) shows the boosted amplifier driving a $\pm 100V$ square wave into a 2000Ω load at 30 kHz.



A1 = LF357
 PNP = 2N5415
 NPN = 2N3440

Figure 6. Voltage Gain from Complementary Common Base Stage Circuit

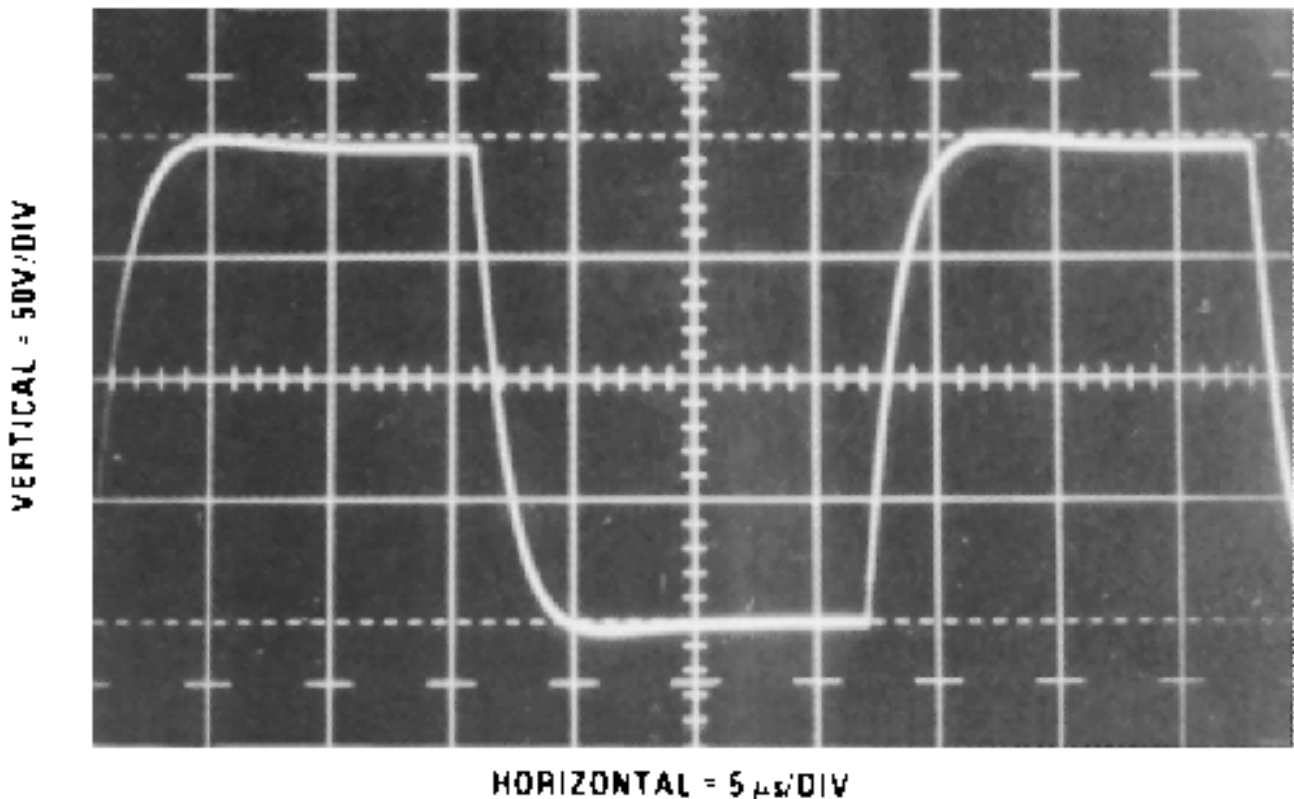
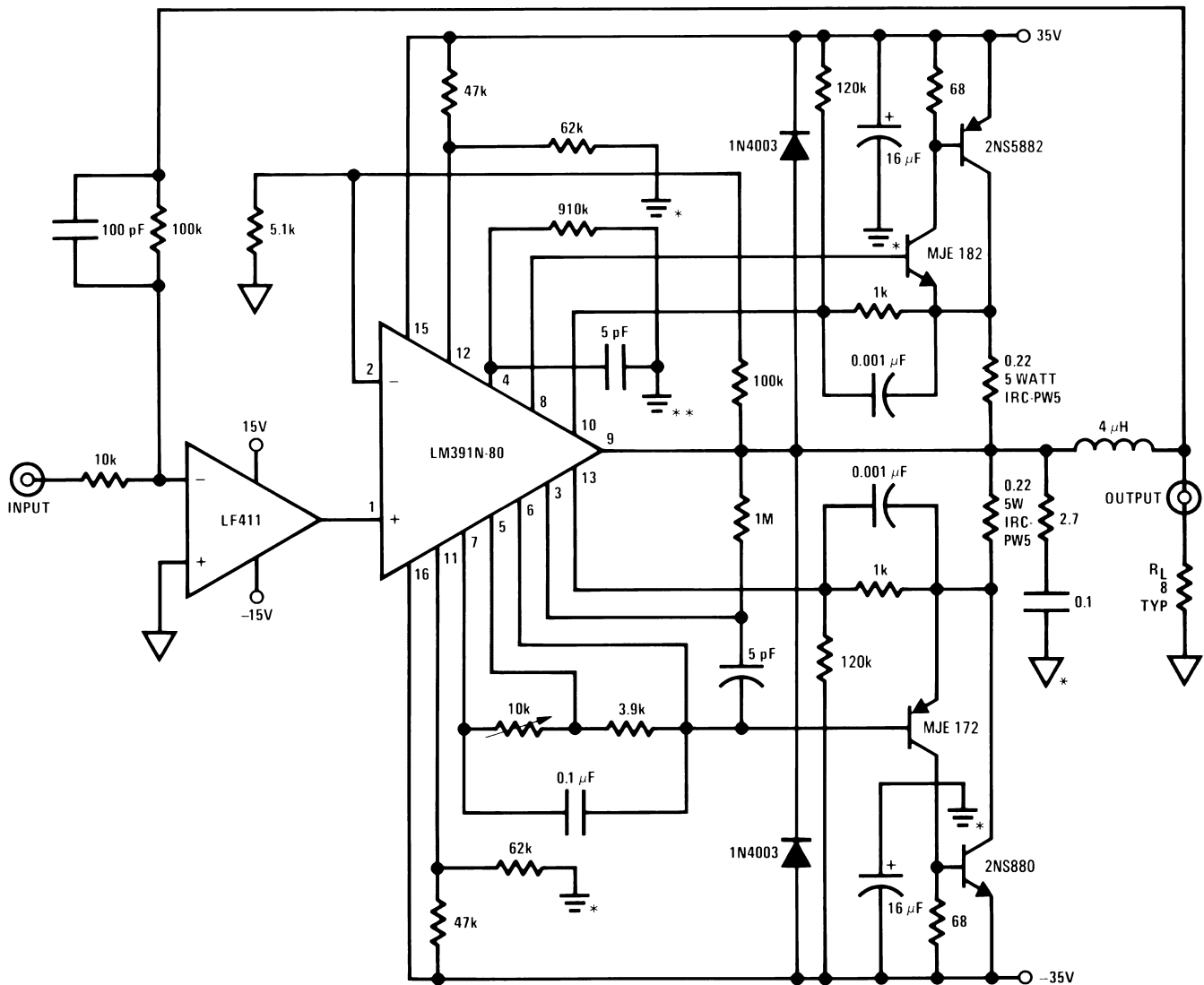


Figure 7. ± 100 V Square Wave

6 High Current Booster

High current loads are well served by the booster circuit of [Figure 8](#). While this circuit does provide voltage gain, its ability to drive 3A of current into an 8Ω load at 25V peak makes it useful as a current booster. In this circuit, the LM391-80 driver chip and its associated power transistors are placed inside the LF411's feedback loop. The 5 pF capacitor at pin 3 of the LM391-80 sets the booster bandwidth well past 250 kHz. The 100k-10k feedback resistors set a gain of ten, and the 100 pF feedback capacitor rolls off the loop gain at 100 kHz to insure stability for the amplifier-booster combination. The 2.7 Ω -0.1 μ F damper network and the 4 μ H inductor prevent oscillations. The zero signal current of the output stage is set with the 10k potentiometer (pins 6-7 at the LM391) while a DVM is monitored for 10 mV across the 0.22 Ω output resistors.



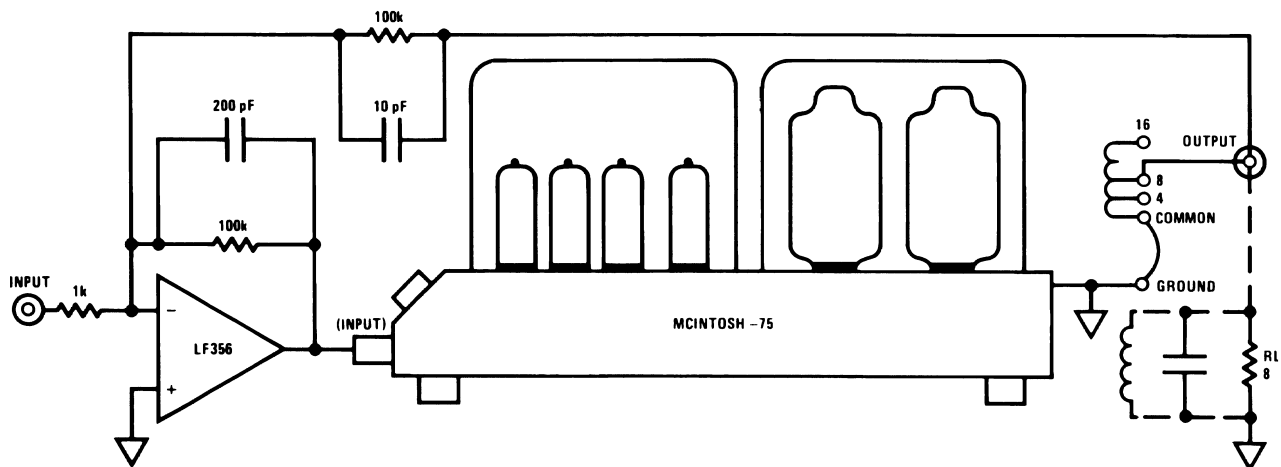
Adjust 10k pot for 25 mA zero signal current through the 0.22Ω resistors
 * High frequency ground
 ** Input Ground

Note: All grounds should be tied together only at power supply ground.
 5.0° C/W heat sink on BD348 and BD349
 3.0° C/W heat sink on BD360 and BD361

Figure 8. High Current Loads Served by Booster Circuit

7 Indestructible, Floating Output Booster

Figure 9 shows how a high quality audio amplifier can be used as a current-voltage booster for AC signals. The audio amplifier, specified as the booster, is a venerable favorite in research labs, due to its transformer isolated output and clean response. The LF356 op amp's loop is closed locally at a DC gain of 100, and rolled off at 50 kHz by the 200 pF capacitor. The audio amplifier booster's output is fed back via the 100k resistor for an overall AC gain of 100 with respect to the booster amplifier output. The arrangement is ideal for laboratory use because the vacuum tube driven transformer isolated output is extremely forgiving and almost indestructible. AC variable frequency power supplies, shaker table drives, motors and gyro drives, as well as other difficult inductive and active loads, can be powered by this booster. Power output is 75W into 4Ω-16Ω, although loads of 1Ω can be driven at reduced power output.



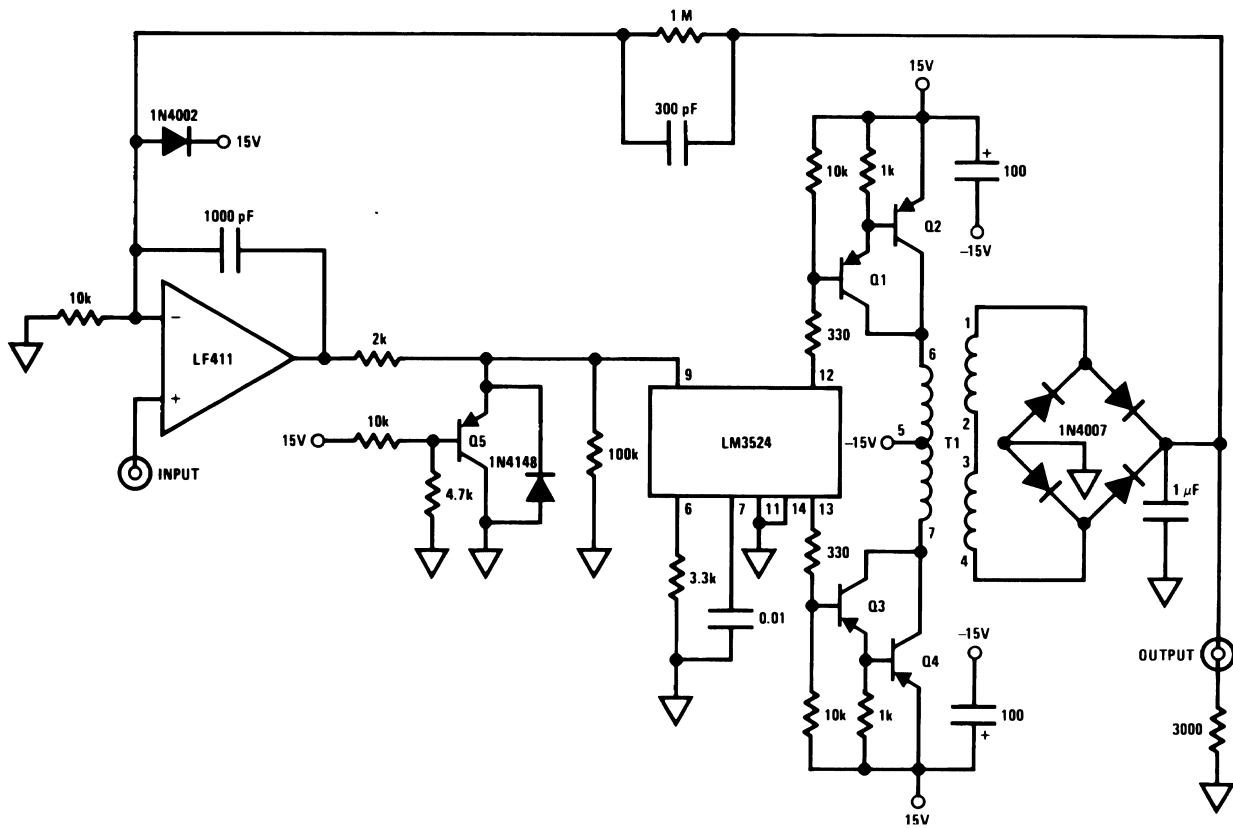
Phase Shift—Less than $\pm 8^\circ$ 20-20 kHz
 Power Output—75 watts RMS 16 Hz-60 kHz
 Output Impedance—Less than 10% of rated output load Z.
 Frequency Response—10 Hz-100 kHz-1 dB.
 16 Hz-40 kHz-0.1 dB.
 16 Hz-60 kHz-0.5 dB.

Figure 9. Current-Voltage Booster for AC Signals Circuit

8 1000V-300 mA Booster

Figure 10 diagrams a very high voltage, high current booster which will allow an op amp to control up to 300W for positive outputs up to a staggering 1000V. This performance is achieved without sacrificing efficiency because this booster, in contrast to all the others shown, operates in a switching mode. In addition, this booster runs off $\pm 15V$ supplies and has the highly desirable property of *not* requiring a high voltage power supply to achieve its high potential outputs. The high voltage required for the output is directly generated by a switching DC-DC converter which forms an integral part of the booster. The LM3524 switching regulator chip is used to pulse width modulate the transistors which provide switched 20 kHz drive to the TY-85 step-up transformer. The transformer's rectified and filtered output is fed back to the LF411, which controls the input to the LM3524 switching regulator. In this manner, the high voltage booster, although operating switched mode, is controlled by the op amp's feedback action in a similar fashion to all the other designs. Q5 and the diode act as clamps to prevent the LF411's output swing from damaging the LM3524's 4V input on start-up. The diode at the LF411 swing junction prevents high voltage transients coupled through the feedback capacitor from destroying the amplifier. The 1 M Ω -10k feedback resistors set the gain of the amplifier at 100 so that a 10V input will give a 1000V output. Although the 20 kHz torroid switching rate places an upper limit on how fast information can be transmitted around the loop, the 1 μF filter capacitor at the circuit output restricts the bandwidth. For the design shown, full power sine wave output frequency is 55Hz. **Figure 11** shows the response of the boosted LF411 when a 10V pulse (Trace A) is applied to the circuit input. The output (Trace B) goes to 1000V in about 1 ms, while fall time is about 10 ms because of capacitor discharge time. During the output pulse's rise time the booster is slew rate limited and the switching action of the torroid is just visible in the leading edge of the pulse.

The reader is advised that the construction, testing and use of this circuit must be approached with the greatest care. The output potentials produced are many times above the level which will kill. Repeating, the output of this circuit is lethal.



- T1 = Triad TY-85
- Q1, Q3 = 2N3468
- Q2, Q4 = 2N4399
- Q5 = 2N2907

CAUTION
LETHAL OUTPUT POTENTIALS

Figure 10. Son of Godzilla Booster

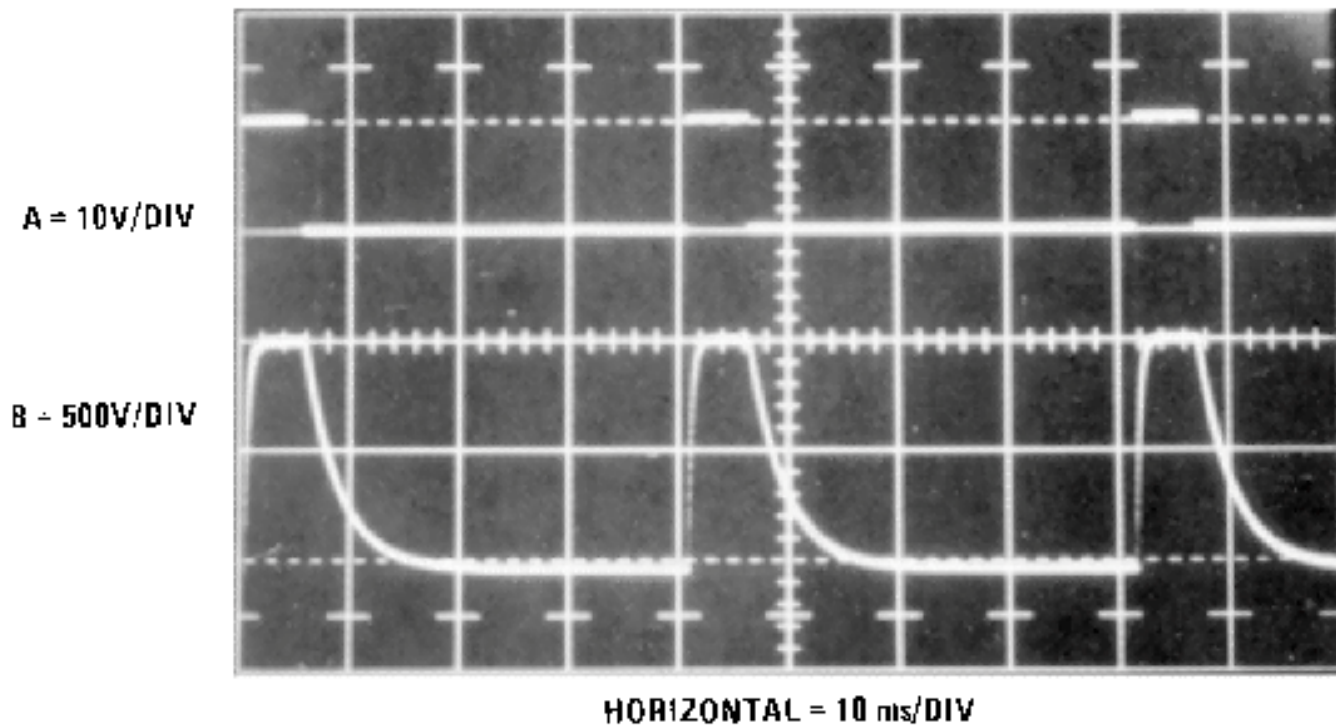


Figure 11. Response of Boosted LF411 When 10V Pulse Applied to Circuit Input

9 300V Output Booster

The circuit of [Figure 12](#) is another high voltage booster, but will only provide 10 mA of output current. This positive-output-only circuit will drive 350V into a 30k load, and is almost immune to load shorts and reverse voltages. A solid state output requires substantial protection against these conditions. Although the circuit shown has a 350V limit, tubes (remember them?) with higher plate voltage ratings can extend the output capacity to several kilovolts. In this circuit, our thermionic friends are arranged in a common cathode (V2B) loaded-cathode-follower (V2A) output, driven from a common cathode gain stage (V1). The booster output is fed back to the LF357 via the 1 MΩ resistor. Local feedback is used to stabilize the LF357, while the pF-1 MΩ pair rolls off the loop at 1 MHz. Because the V1 stage inverts, the feedback summing junction is placed at the LF357 positive input. The parallel diodes at the summing junction prevent high voltage from destroying the amplifier during circuit start-up and slew rate limiting. Tubes are inherently much more tolerant of load shorts and reverse voltages than transistors, and are much easier to protect. In this circuit, an LM335 temperature sensor is in contact with V2. This sensor's output is compared with another LM335 which senses ambient temperature. Under normal operating conditions, V2 operates about 45°C above ambient and the "+" input of the LF311 is about -100 mV, causing its output to be low. When a load fault occurs, V2's plate dissipation increases, causing its associated LM335's output to rise with respect to ambient temperature. This forces the LF311's output high, which makes the LF357 output go low, shutting down the output stage. Adequate hysteresis is provided by the thermal time constant of V2 and the 10 MΩ-1 μF delay in the LF311 input line. [Figure 13](#) shows the response of this amplifier booster at a gain of about 25. With a 15V input pulse (Trace A), the output (Trace B) goes to 350V in 1 μs, and settles within 5 μs. The falling edge slews equally fast and settling occurs within 4 μs.

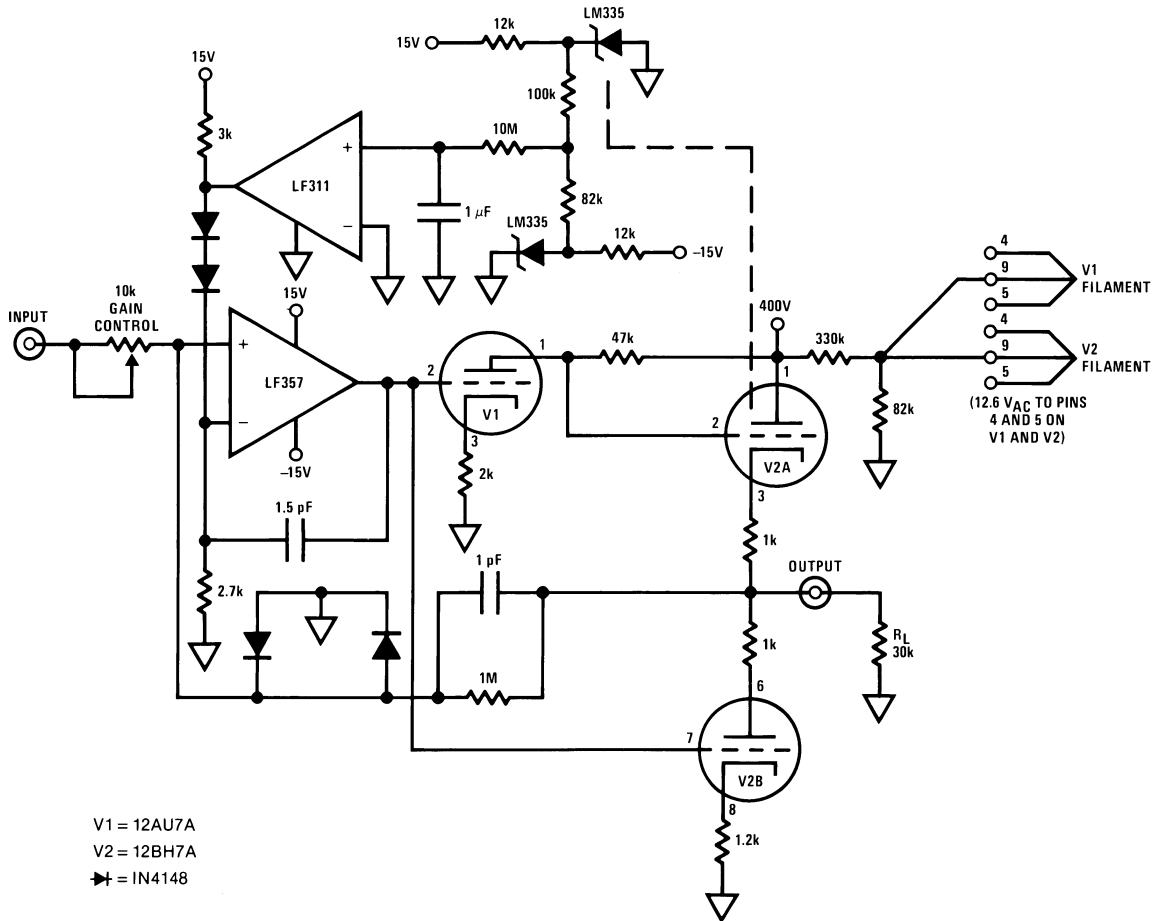


Figure 12. 300V Output Booster Circuit

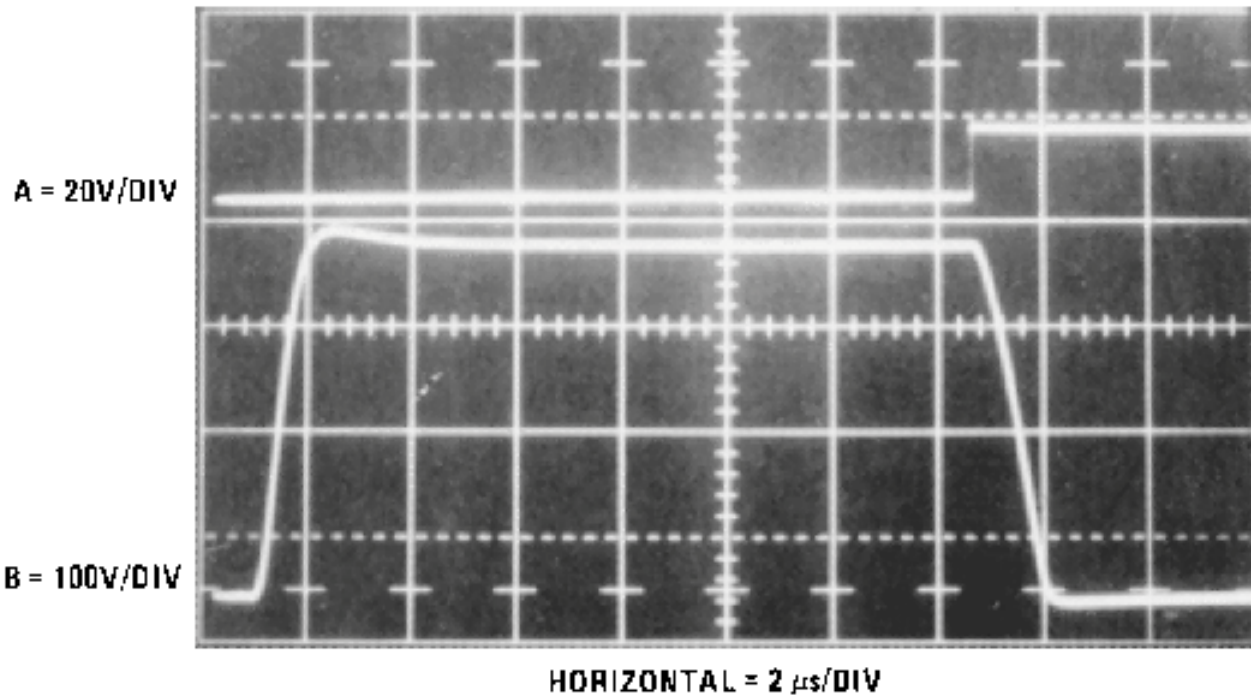


Figure 13. Amplified Booster Response at a Gain of About 25

Table 1 summarizes the information in this article and will help you to pick the right booster for your particular application.

Table 1. Booster Comparisons

Figure	Voltage Gain	Current Gain	Bandwidth	Comments
1	No	Yes—200 mA	Depends on op amp. Typical 1 MHz	Full "+" and "-" output swing. Stable into 50Ω-10,000 pF load. Inverting or non-inverting operation. Simple.
3	No	Yes—200 mA	Full output to 5 MHz-3dB. Point at 11 MHz.	Ultra fast. 750V/μs. Full bipolar output. Inverting operation only.
5	Yes—24V swing	No	Depends on op amp.	Requires that load float from ground.
6	Yes—±100V	Yes—50 mA	50 kHz typical.	Full "+" and "-" output swing. Allows inverting or non-inverting operation. Simplified version ideal for CRT deflection plate driving. More complex version drives full 200V swing into 2 kΩ and 1000 pF.
8	Yes—±30V	Yes—3A	50 kHz	Full "+" and "-" output swing. Allows inverting or non-inverting operation.
9	Yes—70V swing	Yes—3A	100 kHz	Output extremely rugged. Well suited for driving difficult loads in lab. Set-ups. Full bipolar output. AC only.
10	Yes—1000V	Yes—300 mA	50 Hz	High voltage at high current. Switched mode operation allows operation from ±15V supplies with good efficiency. Limited bandwidth with asymmetrical slewing. Positive outputs only.
12	Yes—350V	No	500 kHz	Output very rugged. Good speed. Positive outputs only.

IMPORTANT NOTICE

Texas Instruments Incorporated and its subsidiaries (TI) reserve the right to make corrections, enhancements, improvements and other changes to its semiconductor products and services per JESD46, latest issue, and to discontinue any product or service per JESD48, latest issue. Buyers should obtain the latest relevant information before placing orders and should verify that such information is current and complete. All semiconductor products (also referred to herein as "components") are sold subject to TI's terms and conditions of sale supplied at the time of order acknowledgment.

TI warrants performance of its components to the specifications applicable at the time of sale, in accordance with the warranty in TI's terms and conditions of sale of semiconductor products. Testing and other quality control techniques are used to the extent TI deems necessary to support this warranty. Except where mandated by applicable law, testing of all parameters of each component is not necessarily performed.

TI assumes no liability for applications assistance or the design of Buyers' products. Buyers are responsible for their products and applications using TI components. To minimize the risks associated with Buyers' products and applications, Buyers should provide adequate design and operating safeguards.

TI does not warrant or represent that any license, either express or implied, is granted under any patent right, copyright, mask work right, or other intellectual property right relating to any combination, machine, or process in which TI components or services are used. Information published by TI regarding third-party products or services does not constitute a license to use such products or services or a warranty or endorsement thereof. Use of such information may require a license from a third party under the patents or other intellectual property of the third party, or a license from TI under the patents or other intellectual property of TI.

Reproduction of significant portions of TI information in TI data books or data sheets is permissible only if reproduction is without alteration and is accompanied by all associated warranties, conditions, limitations, and notices. TI is not responsible or liable for such altered documentation. Information of third parties may be subject to additional restrictions.

Resale of TI components or services with statements different from or beyond the parameters stated by TI for that component or service voids all express and any implied warranties for the associated TI component or service and is an unfair and deceptive business practice. TI is not responsible or liable for any such statements.

Buyer acknowledges and agrees that it is solely responsible for compliance with all legal, regulatory and safety-related requirements concerning its products, and any use of TI components in its applications, notwithstanding any applications-related information or support that may be provided by TI. Buyer represents and agrees that it has all the necessary expertise to create and implement safeguards which anticipate dangerous consequences of failures, monitor failures and their consequences, lessen the likelihood of failures that might cause harm and take appropriate remedial actions. Buyer will fully indemnify TI and its representatives against any damages arising out of the use of any TI components in safety-critical applications.

In some cases, TI components may be promoted specifically to facilitate safety-related applications. With such components, TI's goal is to help enable customers to design and create their own end-product solutions that meet applicable functional safety standards and requirements. Nonetheless, such components are subject to these terms.

No TI components are authorized for use in FDA Class III (or similar life-critical medical equipment) unless authorized officers of the parties have executed a special agreement specifically governing such use.

Only those TI components which TI has specifically designated as military grade or "enhanced plastic" are designed and intended for use in military/aerospace applications or environments. Buyer acknowledges and agrees that any military or aerospace use of TI components which have **not** been so designated is solely at the Buyer's risk, and that Buyer is solely responsible for compliance with all legal and regulatory requirements in connection with such use.

TI has specifically designated certain components as meeting ISO/TS16949 requirements, mainly for automotive use. In any case of use of non-designated products, TI will not be responsible for any failure to meet ISO/TS16949.

Products

Audio	www.ti.com/audio
Amplifiers	amplifier.ti.com
Data Converters	dataconverter.ti.com
DLP® Products	www.dlp.com
DSP	dsp.ti.com
Clocks and Timers	www.ti.com/clocks
Interface	interface.ti.com
Logic	logic.ti.com
Power Mgmt	power.ti.com
Microcontrollers	microcontroller.ti.com
RFID	www.ti-rfid.com
OMAP Applications Processors	www.ti.com/omap
Wireless Connectivity	www.ti.com/wirelessconnectivity

Applications

Automotive and Transportation	www.ti.com/automotive
Communications and Telecom	www.ti.com/communications
Computers and Peripherals	www.ti.com/computers
Consumer Electronics	www.ti.com/consumer-apps
Energy and Lighting	www.ti.com/energy
Industrial	www.ti.com/industrial
Medical	www.ti.com/medical
Security	www.ti.com/security
Space, Avionics and Defense	www.ti.com/space-avionics-defense
Video and Imaging	www.ti.com/video

TI E2E Community

e2e.ti.com