

AN-1897 LMH6629 LLP-8 Amplifier Evaluation Board

1 General Description

The LMH6629 evaluation board is designed to aid in the characterization of Texas Instruments LMH6629 Low Noise Operational Amplifier.

Use the evaluation board as a guide for high frequency layout and as a tool to aid in device testing and characterization.

2 Basic Operation

The LMH6629 is a voltage feedback operational amplifier with differential inputs and a single output. The LMH6629 Evaluation board will support both inverting and non-inverting configurations. For component locations refer to the schematic in [Figure 1](#).

The evaluation board uses end mounted SMA connectors. On the IN+ input, resistor RIN provides input termination. When using the evaluation board for non-inverting applications, load only resistor RGA. The resistors RGB and RT are for use in the inverting configuration. When using this board for inverting applications, do not load RGA; instead load RGB and an appropriate value of RT.

The LMH6629 amplifier has two digital inputs: One is an enable ($\overline{\text{PD}}$) pin and the other is a compensation switching (COMP) pin. To facilitate high speed testing of device response times, both of these pins have provisions for SMA connectors (EN and COMP) and 50 Ω termination resistors (R1 and RC2). Normally the amplifier will be used with the enable pin disconnected. Left unconnected, the $\overline{\text{PD}}$ pin defaults to a logic 1 state in which the amplifier is enabled. To disable the amplifier and place it into a low power mode, set this pin to the negative supply voltage (V^-). For placing the LMH6629 in disable mode, close the SW1–A switch on the board.

The LMH6629 offers two settings for its internal compensation. For maximum stability and use at gains as low as 4V/V, open the SW1–B switch on the board to float the COMP pin (COMP pin floats to a logic 0 state). To operate the LMH6629 at closed loop gains of +10V/V or higher, close the SW1–B on the board to bring COMP pin to the positive supply voltage (V^+).

To use an external signal generator to drive the $\overline{\text{PD}}$ pin, remove resistor R5 and place a 50 Ω termination resistor at the R1 position (R1 should otherwise be left empty). Likewise, to drive the COMP pin externally, remove resistor RC1 and place a 50 Ω resistor in the RC2 position (RC2 should otherwise be left empty).

This board is configured to drive 50 Ω test equipment and is shipped with a 49.9 Ω ROUT resistor. The board spaces labeled R3 and R2 can be loaded with any desired load components including inductors or capacitors to simulate reactive loads or to accomplish impedance matching. Normal operation with this configuration ($A_v=+10V/V$) requires SW1–A to be open (enabled operation) and SW1–B to be closed to accommodate this closed loop gain.

If single supply operation is desired, load a low impedance metallic short in the R10 position. When using a single supply it is important to pay attention to DC bias voltages.

3 Bill of Materials

The bill of material (BOM) of the board, as shipped from Texas Instruments, is listed [Table 1](#).

Table 1. Bill of Materials

Reference Designator	Description	Value	Tolerance (%)	Qty
V ⁺ , V ⁻ , GND	Test Point	Digikey 5002K-ND	-	3
C1, C9, C10	0.01uF, 50WV ceramic capacitor, size 0603	0.01 μ F	10	3
C2, C11	0.1uF, 16WV ceramic capacitor, size 0603	0.1 μ F	10	2
C3, C12	Tantalum Chip capacitor, size 3528	10 μ F	10	2
IN+, IN-, OUT+	SMA End Launch Jack Receptacle - Round Contact	Digikey J502-ND	-	3
R5, RC1	Thick film chip resistor, size 0603	0	1	2
RIN, ROUT, RT	Thick film chip resistor, size 0603	49.9	1	3
RF	Thick film chip resistor, size 0402	249	1	1
RGA	Thick film chip resistor, size 0603	27.4	1	1
SW1	2 Position Vertical Full Profile Dip Switch	Digikey CKN3001-ND	-	1
U1	IC	LMH6629	-	1

4 Schematic

This board consists of four layers. All four layers are detailed in [Figure 2](#) through [Figure 5](#).

POWER SUPPLY CONNECTIONS

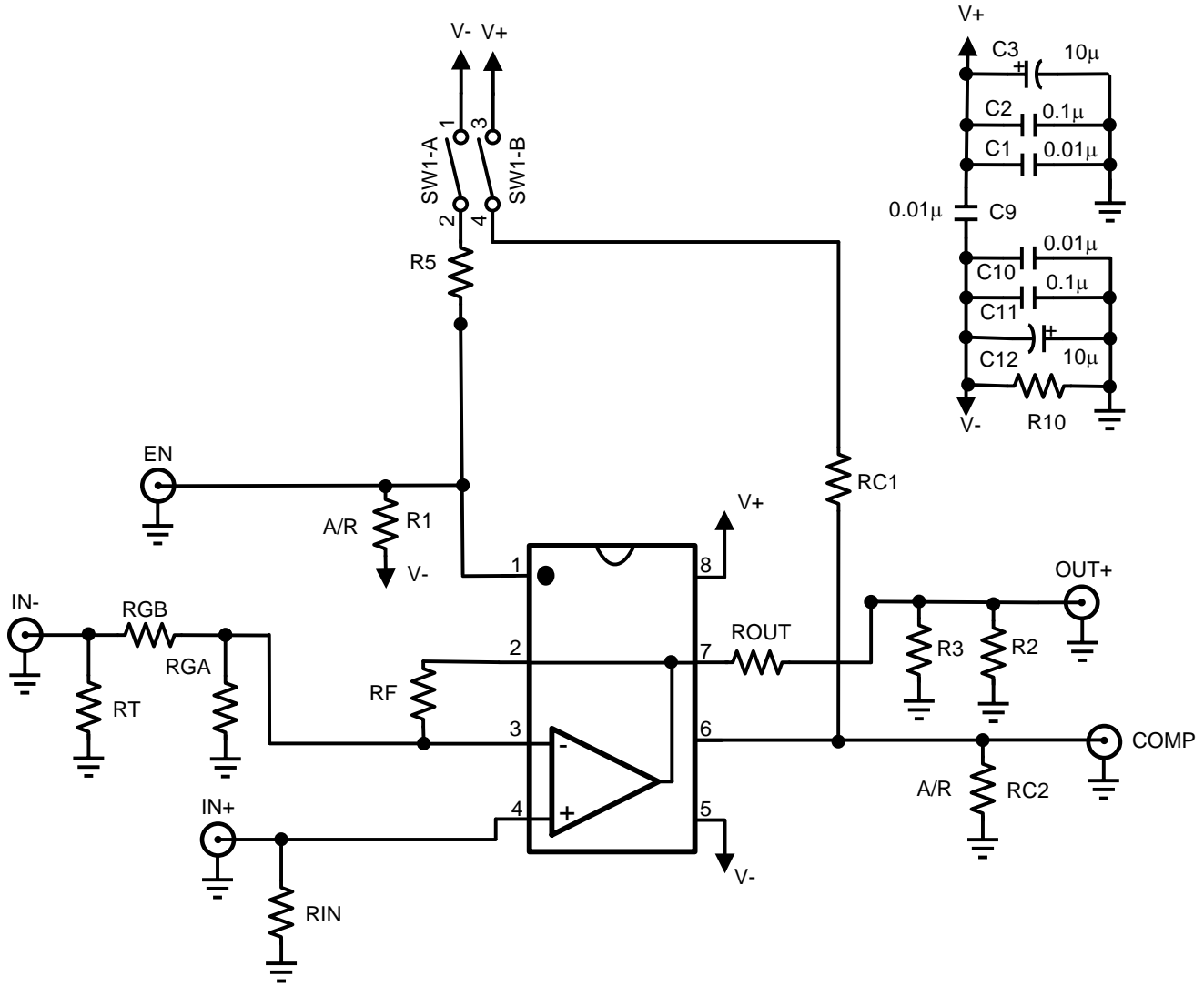


Figure 1. LMH6629 Evaluation Board Schematic

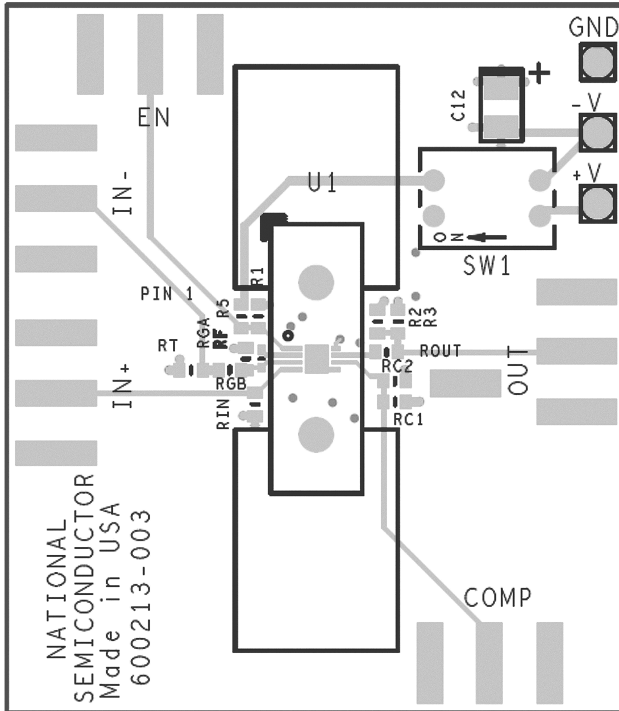


Figure 2. Evaluation Board Top Layer

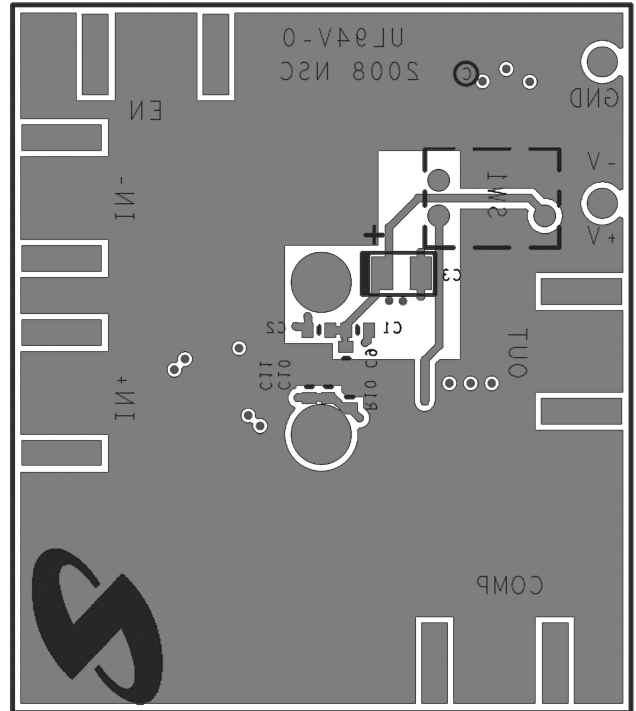


Figure 3. Evaluation Board Bottom Layer

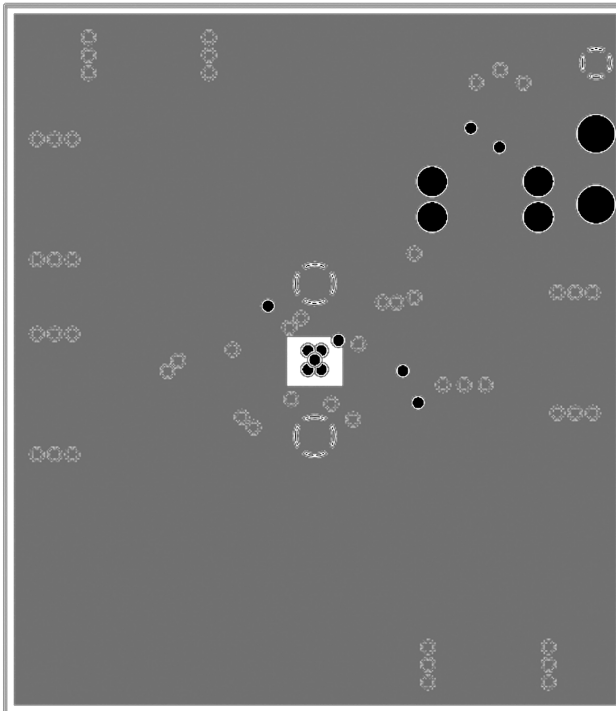


Figure 4. Evaluation Board Layer 2

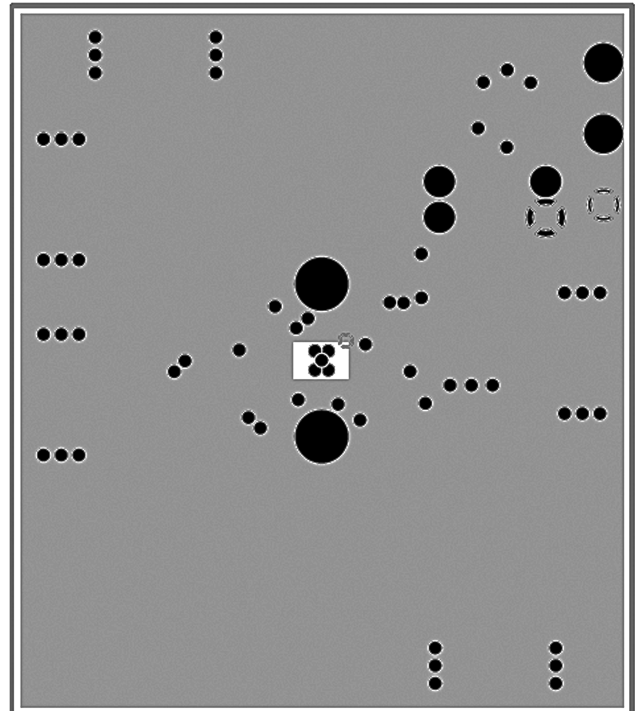


Figure 5. Evaluation Board Layer 3

IMPORTANT NOTICE

Texas Instruments Incorporated and its subsidiaries (TI) reserve the right to make corrections, enhancements, improvements and other changes to its semiconductor products and services per JESD46, latest issue, and to discontinue any product or service per JESD48, latest issue. Buyers should obtain the latest relevant information before placing orders and should verify that such information is current and complete. All semiconductor products (also referred to herein as "components") are sold subject to TI's terms and conditions of sale supplied at the time of order acknowledgment.

TI warrants performance of its components to the specifications applicable at the time of sale, in accordance with the warranty in TI's terms and conditions of sale of semiconductor products. Testing and other quality control techniques are used to the extent TI deems necessary to support this warranty. Except where mandated by applicable law, testing of all parameters of each component is not necessarily performed.

TI assumes no liability for applications assistance or the design of Buyers' products. Buyers are responsible for their products and applications using TI components. To minimize the risks associated with Buyers' products and applications, Buyers should provide adequate design and operating safeguards.

TI does not warrant or represent that any license, either express or implied, is granted under any patent right, copyright, mask work right, or other intellectual property right relating to any combination, machine, or process in which TI components or services are used. Information published by TI regarding third-party products or services does not constitute a license to use such products or services or a warranty or endorsement thereof. Use of such information may require a license from a third party under the patents or other intellectual property of the third party, or a license from TI under the patents or other intellectual property of TI.

Reproduction of significant portions of TI information in TI data books or data sheets is permissible only if reproduction is without alteration and is accompanied by all associated warranties, conditions, limitations, and notices. TI is not responsible or liable for such altered documentation. Information of third parties may be subject to additional restrictions.

Resale of TI components or services with statements different from or beyond the parameters stated by TI for that component or service voids all express and any implied warranties for the associated TI component or service and is an unfair and deceptive business practice. TI is not responsible or liable for any such statements.

Buyer acknowledges and agrees that it is solely responsible for compliance with all legal, regulatory and safety-related requirements concerning its products, and any use of TI components in its applications, notwithstanding any applications-related information or support that may be provided by TI. Buyer represents and agrees that it has all the necessary expertise to create and implement safeguards which anticipate dangerous consequences of failures, monitor failures and their consequences, lessen the likelihood of failures that might cause harm and take appropriate remedial actions. Buyer will fully indemnify TI and its representatives against any damages arising out of the use of any TI components in safety-critical applications.

In some cases, TI components may be promoted specifically to facilitate safety-related applications. With such components, TI's goal is to help enable customers to design and create their own end-product solutions that meet applicable functional safety standards and requirements. Nonetheless, such components are subject to these terms.

No TI components are authorized for use in FDA Class III (or similar life-critical medical equipment) unless authorized officers of the parties have executed a special agreement specifically governing such use.

Only those TI components which TI has specifically designated as military grade or "enhanced plastic" are designed and intended for use in military/aerospace applications or environments. Buyer acknowledges and agrees that any military or aerospace use of TI components which have **not** been so designated is solely at the Buyer's risk, and that Buyer is solely responsible for compliance with all legal and regulatory requirements in connection with such use.

TI has specifically designated certain components as meeting ISO/TS16949 requirements, mainly for automotive use. In any case of use of non-designated products, TI will not be responsible for any failure to meet ISO/TS16949.

Products

Audio	www.ti.com/audio
Amplifiers	amplifier.ti.com
Data Converters	dataconverter.ti.com
DLP® Products	www.dlp.com
DSP	dsp.ti.com
Clocks and Timers	www.ti.com/clocks
Interface	interface.ti.com
Logic	logic.ti.com
Power Mgmt	power.ti.com
Microcontrollers	microcontroller.ti.com
RFID	www.ti-rfid.com
OMAP Applications Processors	www.ti.com/omap
Wireless Connectivity	www.ti.com/wirelessconnectivity

Applications

Automotive and Transportation	www.ti.com/automotive
Communications and Telecom	www.ti.com/communications
Computers and Peripherals	www.ti.com/computers
Consumer Electronics	www.ti.com/consumer-apps
Energy and Lighting	www.ti.com/energy
Industrial	www.ti.com/industrial
Medical	www.ti.com/medical
Security	www.ti.com/security
Space, Avionics and Defense	www.ti.com/space-avionics-defense
Video and Imaging	www.ti.com/video

TI E2E Community

e2e.ti.com