

# Compensating and measuring the control loop of a high-power LED driver

**By Jeff Falin**  
*Senior Applications Engineer*

A mathematical model is always helpful in determining the optimal compensation components for a particular design. However, compensating the loop of a WLED current-regulating boost converter is a bit different than compensating the same converter configured to regulate voltage. Measuring the control loop with traditional methods is cumbersome because of low impedance at the feedback (FB) pin and the lack of a top-side FB resistor. In Reference 1, Ray Ridley has presented a simplified, small-signal control-loop model for a boost converter with current-mode control. The following explains how to modify Ridley's model so that it fits a WLED current-regulating boost converter; it also explains how to measure the boost converter's control loop.

## Loop components

As shown in Figure 1, any adjustable DC/DC converter can be modified to provide a higher or lower regulated output voltage from an input voltage. In this configuration, if we assume  $R_{OUT}$  is a purely resistive load, then  $V_{OUT} = I_{OUT} \times R_{OUT}$ . When used to power LEDs, a DC/DC converter actually controls the current through the LEDs by regulating the voltage across the low-side FB resistor as shown in Figure 2. Because the load itself (the LEDs) replaces the upper FB resistor, the traditional small-signal control-loop equations no longer apply. The DC load resistance is

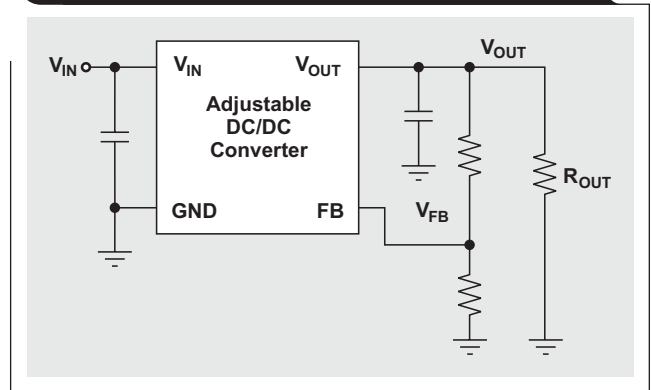
$$R_{EQ} = V_{OUT}/I_{LED}, \tag{1}$$

with

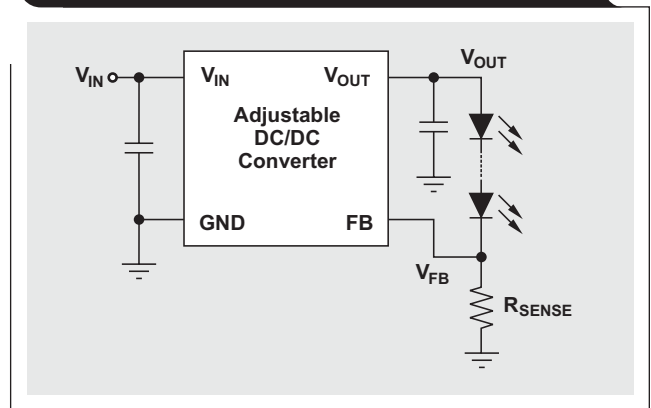
$$V_{OUT} = n \times V_{FWD} + V_{FB}. \tag{2}$$

$V_{FWD}$ , taken either from the diodes' datasheet or from measurements, is the forward voltage at  $I_{LED}$ ; and  $n$  is the number of LEDs in the string.

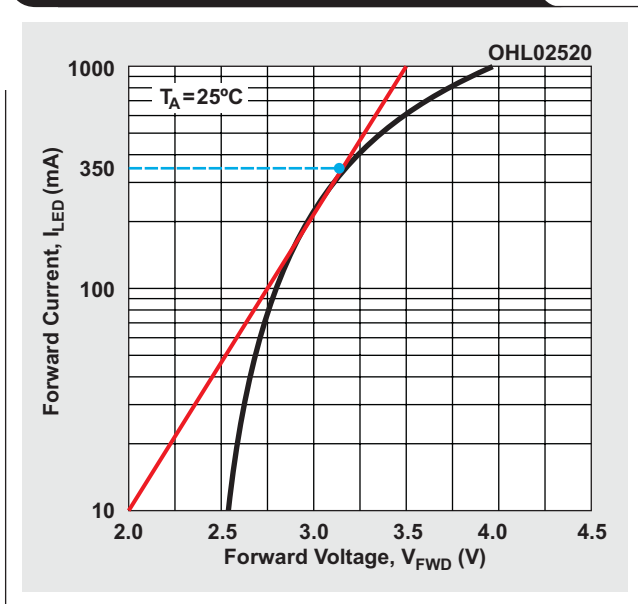
**Figure 1. Adjustable DC/DC converter used to regulate voltage**



**Figure 2. Adjustable DC/DC converter used to regulate current through LEDs**



**Figure 3. I-V curve of OSRAM LW W5SM**



However, from a small-signal standpoint, the load resistance consists of  $R_{EQ}$  as well as the dynamic resistances of the LEDs,  $r_D$ , at the  $I_{LED}$ . While some LED manufacturers provide typical values of  $r_D$  at various current levels, the best way to determine  $r_D$  is to extract it from the typical LED I-V curve, which all manufacturers provide. Figure 3 shows an example I-V curve of an OSRAM LW W5SM high-power LED. Being a dynamic (or small-signal) quantity,  $r_D$  is defined as the change in voltage divided by the change in current, or  $r_D = \Delta V_{FWD} / \Delta I_{LED}$ . To extract  $r_D$  from Figure 3, we simply drive a straight tangent line from the  $V_{FWD}$  and

$I_{LED}$  for the application and compute the slope. For example, using the dotted tangent line in Figure 3, we get  $r_D = (3.5 - 2.0 \text{ V}) / (1.000 - 0.010 \text{ A}) = 1.51 \Omega$  at  $I_{LED} = 350 \text{ mA}$ .

**Small-signal model**

As an example of a small-signal model, the TPS61165 peak-current-mode converter driving three series OSRAM LW W5SM parts will be used. Figure 4a shows an equivalent small-signal model of a current-regulating boost converter, while Figure 4b shows an even more simplified model.

Equation 3 shows a frequency-based (s-domain) model for computing DC gain in both the current-regulating and the voltage-regulating boost converters:

$$G_P(s) = K_R \times \frac{(1-D)}{R_i} \times \frac{\left(1 + \frac{s}{\omega_z}\right) \times \left(1 - \frac{s}{\omega_{RHP}}\right)}{\left(1 + \frac{s}{\omega_p}\right) \times \left(1 + \frac{s}{Q_p \omega_n} + \frac{s^2}{\omega_n^2}\right)}, \quad (3)$$

where the common variables are

$$\omega_z = \frac{1}{ESR \times C_{OUT}}$$

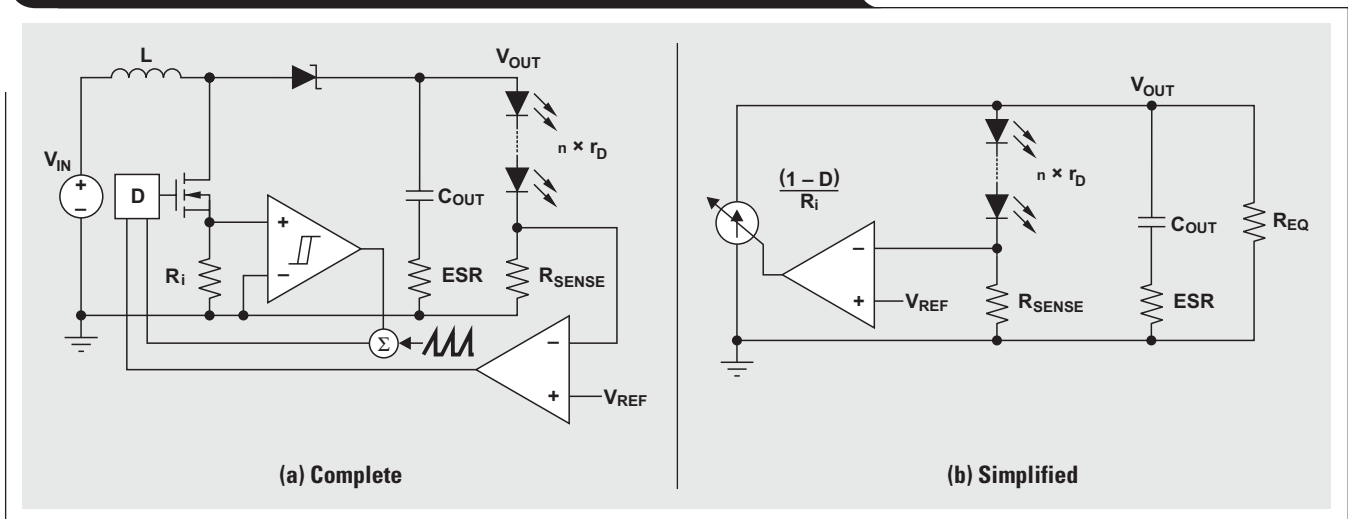
$$Q_p = \frac{1}{\pi \left[ \left(1 + \frac{S_e}{S_n}\right) (1-D) - 0.5 \right]}$$

$$\omega_n = \pi \times f_{SW}$$

and

$$\omega_{RHP} = \frac{R_{EQ}}{(1-D)^2 \times L}$$

**Figure 4. Small-signal model of current-regulating boost converter**



**Table 1. Differences in Equation 3 terms for two converter models**

TERM	EVALUATION OF CURRENT-REGULATING BOOST CONVERTER	EVALUATION OF VOLTAGE-REGULATING BOOST CONVERTER
$K_R$	$\frac{R_{EQ}}{1 + \frac{R_{EQ} + n \times r_D}{R_{SENSE}}}$	$\frac{R_{OUT}}{2}$
$\omega_p$	$\frac{1 + \frac{n \times r_D + R_{SENSE}}{R_{EQ}}}{(n \times r_D + R_{SENSE} + ESR) \times C_{OUT}}$	$\frac{2}{(R_{OUT} + ESR) \times C_{OUT}}$

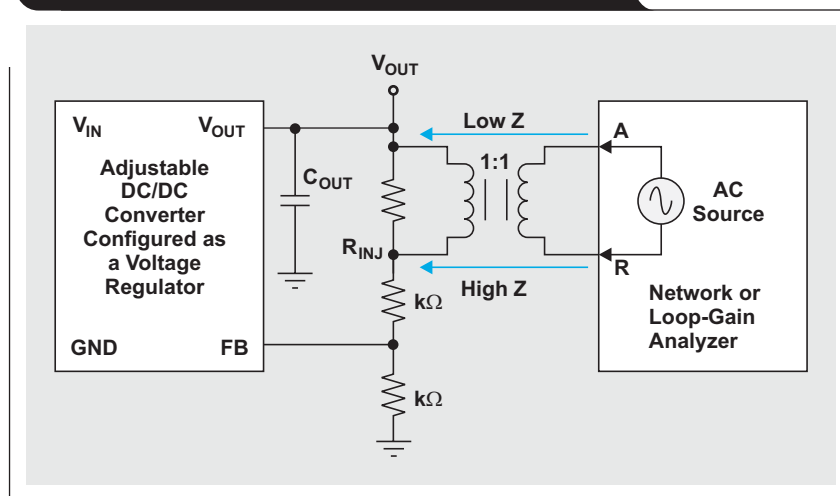
The duty cycle, D, and the modified values for  $V_{OUT}$  and  $R_{EQ}$  are computed the same way for both circuits.  $S_n$  and  $S_e$  are the natural inductor and compensation slopes, respectively, for the boost converter; and  $f_{SW}$  is the switching frequency. The only real differences between the small-signal model for the voltage-regulating boost converter and the model for a current-regulating boost converter is the resistance  $K_R$ —which multiplies by the transconductance term,  $(1 - D)/R_i$ —and the dominant pole,  $\omega_p$ . These differences are summarized in Table 1. See Reference 1 for more information.

Since the value of  $R_{SENSE}$  is typically much lower than that of  $R_{OUT}$  in a converter configured to regulate voltage, the gain for a current-regulating converter, where  $R_{OUT} = R_{EQ}$ , will almost always be lower than the gain for a voltage-regulating converter.

### Measuring the loop

To measure the control loop gain and phase of a voltage-regulating converter, a network or dedicated loop-gain/phase analyzer typically uses a 1:1 transformer to inject a small signal into the loop via a small resistance ( $R_{INJ}$ ). The analyzer then measures and compares, over frequency, the injected signal at point A to the returned signal at point R and reports the ratio in terms of amplitude difference (gain) and time delay (phase). This resistance can be inserted anywhere in the loop as long as point A has relatively much lower impedance than point R; otherwise, the injected signal will be too large and disturb the converter's operating point. As shown in Figure 5, the high-impedance node where the FB resistors sense the output voltage at the output capacitor (low-impedance node) is the typical place for such a resistor.

**Figure 5. Control-loop measurement for voltage-regulating converter**



In a current-regulating configuration, with the load itself being the upper FB resistor, the injection resistor cannot be inserted in series with the LEDs. The converter's operating point must first be changed so the resistor can be inserted between the FB pin and the sense resistor as shown in Figure 6. In some cases, a non-inverting, unity-gain buffer amplifier may be necessary to lower the impedance at the injection point and reduce measurement noise.

With the measurement setup in Figure 6 but without the amplifier, and with  $R_{INJ} = 51.1 \Omega$ , a Venable loop analyzer was used to measure the loop. The model of a current-regulating converter was constructed in Mathcad® using the datasheet design parameters of the TPS61170, which has the same core as the TPS61165. With  $V_{IN} = 5 \text{ V}$  and  $I_{LED}$  set to 350 mA, the model gives the predicted loop response for the TPS61165EVM as shown in Figure 7, which provides an easy comparison with measured data.

We can easily explain the differences between the measured and simulated gain by observing variations in the WLED dynamic resistance and using the typical LED I-V curve as well as chip-to-chip variations in the IC's amplifier gain.

## Conclusion

While not exact, the mathematical model gives the designer a good starting point for designing the compensation of a WLED current-regulating boost converter. In addition, the designer can measure the control loop with one of the alternate methods.

## Reference

1. Ray Ridley. (2006). Designer's Series, Part V: Current-Mode Control Modeling. *Switching Power Magazine* [Online]. Available: <http://www.switchingpowermagazine.com/downloads/5%20Current%20Mode%20Control%20Modeling.pdf>

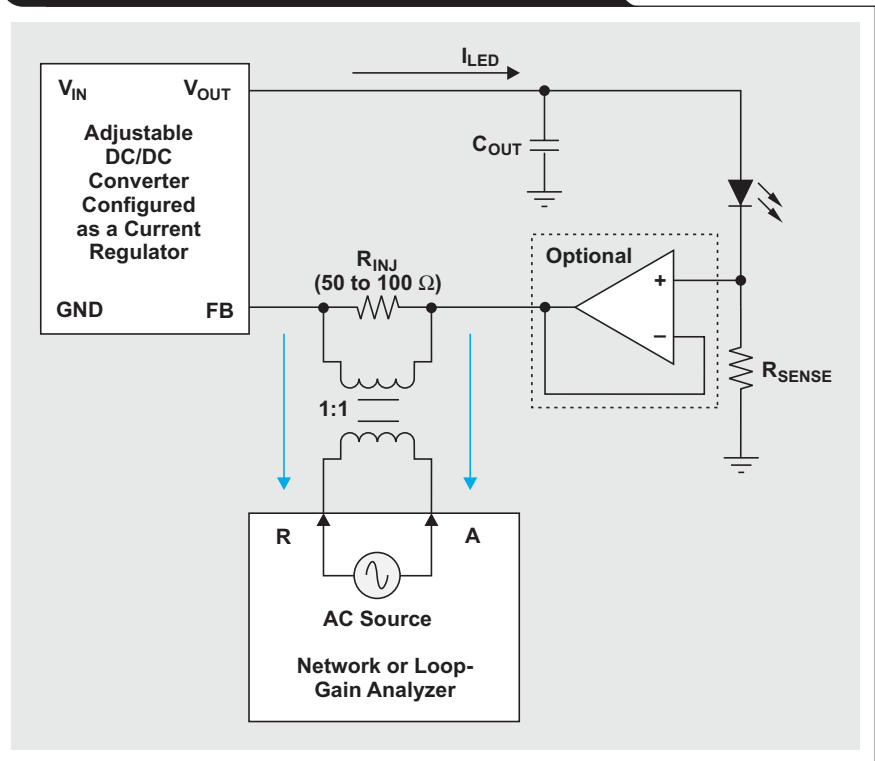
## Related Web sites

[power.ti.com](http://power.ti.com)

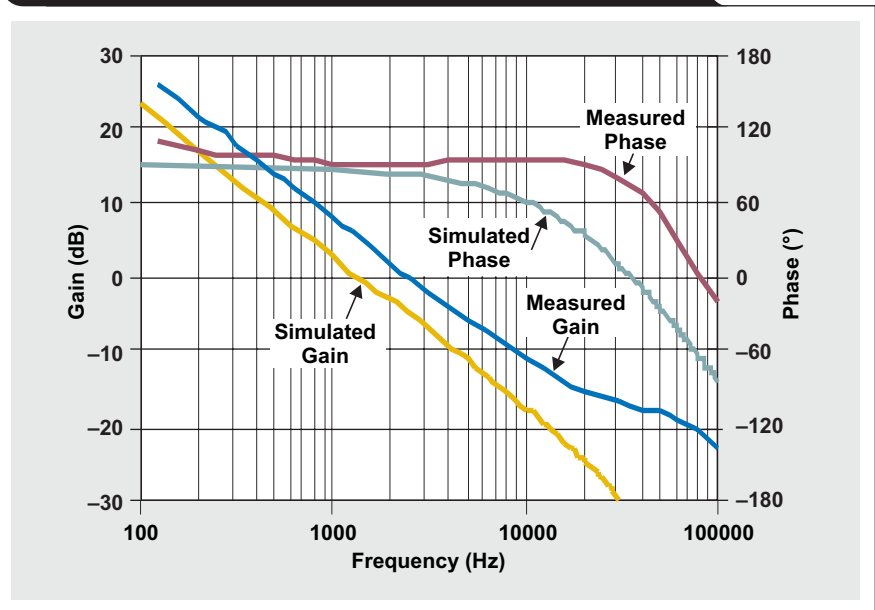
[www.ti.com/sc/device/TPS61165](http://www.ti.com/sc/device/TPS61165)

[www.ti.com/sc/device/TPS61170](http://www.ti.com/sc/device/TPS61170)

**Figure 6. Control-loop measurement for current-regulating converter**



**Figure 7. Measured and simulated loop gain and phase at  $V_{IN} = 5 \text{ V}$  and  $I_{LED} = 350 \text{ mA}$**



## IMPORTANT NOTICE

Texas Instruments Incorporated and its subsidiaries (TI) reserve the right to make corrections, modifications, enhancements, improvements, and other changes to its products and services at any time and to discontinue any product or service without notice. Customers should obtain the latest relevant information before placing orders and should verify that such information is current and complete. All products are sold subject to TI's terms and conditions of sale supplied at the time of order acknowledgment.

TI warrants performance of its hardware products to the specifications applicable at the time of sale in accordance with TI's standard warranty. Testing and other quality control techniques are used to the extent TI deems necessary to support this warranty. Except where mandated by government requirements, testing of all parameters of each product is not necessarily performed.

TI assumes no liability for applications assistance or customer product design. Customers are responsible for their products and applications using TI components. To minimize the risks associated with customer products and applications, customers should provide adequate design and operating safeguards.

TI does not warrant or represent that any license, either express or implied, is granted under any TI patent right, copyright, mask work right, or other TI intellectual property right relating to any combination, machine, or process in which TI products or services are used. Information published by TI regarding third-party products or services does not constitute a license from TI to use such products or services or a warranty or endorsement thereof. Use of such information may require a license from a third party under the patents or other intellectual property of the third party, or a license from TI under the patents or other intellectual property of TI.

Reproduction of information in TI data books or data sheets is permissible only if reproduction is without alteration and is accompanied by all associated warranties, conditions, limitations, and notices. Reproduction of this information with alteration is an unfair and deceptive business practice. TI is not responsible or liable for such altered documentation. Information of third parties may be subject to additional restrictions.

Resale of TI products or services with statements different from or beyond the parameters stated by TI for that product or service voids all express and any implied warranties for the associated TI product or service and is an unfair and deceptive business practice. TI is not responsible or liable for any such statements.

TI products are not authorized for use in safety-critical applications (such as life support) where a failure of the TI product would reasonably be expected to cause severe personal injury or death, unless officers of the parties have executed an agreement specifically governing such use. Buyers represent that they have all necessary expertise in the safety and regulatory ramifications of their applications, and acknowledge and agree that they are solely responsible for all legal, regulatory and safety-related requirements concerning their products and any use of TI products in such safety-critical applications, notwithstanding any applications-related information or support that may be provided by TI. Further, Buyers must fully indemnify TI and its representatives against any damages arising out of the use of TI products in such safety-critical applications.

TI products are neither designed nor intended for use in military/aerospace applications or environments unless the TI products are specifically designated by TI as military-grade or "enhanced plastic." Only products designated by TI as military-grade meet military specifications. Buyers acknowledge and agree that any such use of TI products which TI has not designated as military-grade is solely at the Buyer's risk, and that they are solely responsible for compliance with all legal and regulatory requirements in connection with such use.

TI products are neither designed nor intended for use in automotive applications or environments unless the specific TI products are designated by TI as compliant with ISO/TS 16949 requirements. Buyers acknowledge and agree that, if they use any non-designated products in automotive applications, TI will not be responsible for any failure to meet such requirements.

Following are URLs where you can obtain information on other Texas Instruments products and application solutions:

<b>Products</b>		<b>Applications</b>	
Amplifiers	<a href="http://amplifier.ti.com">amplifier.ti.com</a>	Audio	<a href="http://www.ti.com/audio">www.ti.com/audio</a>
Data Converters	<a href="http://dataconverter.ti.com">dataconverter.ti.com</a>	Automotive	<a href="http://www.ti.com/automotive">www.ti.com/automotive</a>
Clocks and Timers	<a href="http://www.ti.com/clocks">www.ti.com/clocks</a>	Broadband	<a href="http://www.ti.com/broadband">www.ti.com/broadband</a>
DSP	<a href="http://dsp.ti.com">dsp.ti.com</a>	Digital control	<a href="http://www.ti.com/digitalcontrol">www.ti.com/digitalcontrol</a>
Interface	<a href="http://interface.ti.com">interface.ti.com</a>	Medical	<a href="http://www.ti.com/medical">www.ti.com/medical</a>
Logic	<a href="http://logic.ti.com">logic.ti.com</a>	Military	<a href="http://www.ti.com/military">www.ti.com/military</a>
Power Mgmt	<a href="http://power.ti.com">power.ti.com</a>	Optical Networking	<a href="http://www.ti.com/opticalnetwork">www.ti.com/opticalnetwork</a>
Microcontrollers	<a href="http://microcontroller.ti.com">microcontroller.ti.com</a>	Security	<a href="http://www.ti.com/security">www.ti.com/security</a>
RFID	<a href="http://www.ti-rfid.com">www.ti-rfid.com</a>	Telephony	<a href="http://www.ti.com/telephony">www.ti.com/telephony</a>
RF/IF and ZigBee® Solutions	<a href="http://www.ti.com/lprf">www.ti.com/lprf</a>	Video and Imaging	<a href="http://www.ti.com/video">www.ti.com/video</a>
		Wireless	<a href="http://www.ti.com/wireless">www.ti.com/wireless</a>

Mailing Address: Texas Instruments  
Post Office Box 655303  
Dallas, Texas 75265

# TI Worldwide Technical Support

---

## Internet

### TI Semiconductor Product Information Center Home Page

[support.ti.com](http://support.ti.com)

### TI Semiconductor KnowledgeBase Home Page

[support.ti.com/sc/knowledgebase](http://support.ti.com/sc/knowledgebase)

## Product Information Centers

<b>Americas</b>	Phone	+1(972) 644-5580
<b>Brazil</b>	Phone	0800-891-2616
<b>Mexico</b>	Phone	0800-670-7544
	Fax	+1(972) 927-6377
	Internet/Email	<a href="http://support.ti.com/sc/pic/americas.htm">support.ti.com/sc/pic/americas.htm</a>

## Europe, Middle East, and Africa

Phone	
European Free Call	00800-ASK-TEXAS (00800 275 83927)
International	+49 (0) 8161 80 2121
Russian Support	+7 (4) 95 98 10 701

**Note:** The European Free Call (Toll Free) number is not active in all countries. If you have technical difficulty calling the free call number, please use the international number above.

Fax	+ (49) (0) 8161 80 2045
Internet	<a href="http://support.ti.com/sc/pic/euro.htm">support.ti.com/sc/pic/euro.htm</a>

## Japan

Fax	International	+81-3-3344-5317
	Domestic	0120-81-0036
Internet/Email	International	<a href="http://support.ti.com/sc/pic/japan.htm">support.ti.com/sc/pic/japan.htm</a>
	Domestic	<a href="http://www.tij.co.jp/pic">www.tij.co.jp/pic</a>

## Asia

Phone	
International	+91-80-41381665
Domestic	<u>Toll-Free Number</u>
Australia	1-800-999-084
China	800-820-8682
Hong Kong	800-96-5941
India	1-800-425-7888
Indonesia	001-803-8861-1006
Korea	080-551-2804
Malaysia	1-800-80-3973
New Zealand	0800-446-934
Philippines	1-800-765-7404
Singapore	800-886-1028
Taiwan	0800-006800
Thailand	001-800-886-0010
Fax	+886-2-2378-6808
Email	<a href="mailto:tiasia@ti.com">tiasia@ti.com</a> or <a href="mailto:ti-china@ti.com">ti-china@ti.com</a>
Internet	<a href="http://support.ti.com/sc/pic/asia.htm">support.ti.com/sc/pic/asia.htm</a>

**Safe Harbor Statement:** This publication may contain forward-looking statements that involve a number of risks and uncertainties. These "forward-looking statements" are intended to qualify for the safe harbor from liability established by the Private Securities Litigation Reform Act of 1995. These forward-looking statements generally can be identified by phrases such as TI or its management "believes," "expects," "anticipates," "foresees," "forecasts," "estimates" or other words or phrases of similar import. Similarly, such statements herein that describe the company's products, business strategy, outlook, objectives, plans, intentions or goals also are forward-looking statements. All such forward-looking statements are subject to certain risks and uncertainties that could cause actual results to differ materially from those in forward-looking statements. Please refer to TI's most recent Form 10-K for more information on the risks and uncertainties that could materially affect future results of operations. We disclaim any intention or obligation to update any forward-looking statements as a result of developments occurring after the date of this publication.

**E093008**

Mathcad is a registered trademark of Parametric Technology Corporation (PTC). ZigBee is a registered trademark of the ZigBee Alliance. All other trademarks are the property of their respective owners.