

TPS23731 IEEE 802.3bt Type 3 Class 1-4 PoE PD with No-Opto Flyback DC-DC Controller

1 Features

- Complete IEEE 802.3bt Type 3 (Class 1-4) and 802.3at PoE PD Solution
 - EA Gen 2 logo-ready (PoE 2 PD Controller)
 - Robust 100-V, 0.3-Ω (typ) Hotswap MOSFET
 - Supports power levels for up to 30-W operation
- Integrated PWM controller for flyback configuration
 - Flyback control with primary-side regulation
 - Supports CCM operation
 - ±1.5% (typ, 5-V output) load regulation (0-100% load range) — with Sync FET
 - ±3% (typ, 12-V output) load regulation (5-100% load range) — diode rectified
 - Also supports secondary-side regulation
 - Soft-start control with advanced startup and hiccup mode overload protection
 - Soft-stop shutdown
 - Adjustable frequency with synchronization
 - Programmable frequency dithering for EMI
- Automatic Maintain Power Signature (MPS)
 - Auto-adjust to PSE type and load current with auto-stretch
- Primary adapter priority input
- –40°C to 125°C junction temperature range

2 Applications

- Video and VoIP Telephones
- Access Points
- Security Cameras
- Redundant Power Feeds or Power Sharing

3 Description

The TPS23731 device combines a Power over Ethernet (PoE) powered device (PD) interface, and a current-mode DC-DC controller optimized for flyback switching regulator designs where the use of primary-side regulation (PSR) is supported. The PoE interface supports the IEEE 802.3bt and IEEE 802.3at standards for applications needing up to 25.5 W or less at PD input.

Programmable spread spectrum frequency dithering (SSFD) is provided to minimize the size and cost of EMI filter. Advanced Startup with adjustable soft-start helps to use minimal bias capacitor while simplifying converter startup and hiccup design, also ensuring that IEEE 802.3bt/at startup requirements are met.

The soft-stop feature minimizes stress on switching sync FET(s), allowing FET BOM cost reduction.

The PSR feature of the DC-DC controller uses feedback from an auxiliary winding for control of the output voltage, eliminating the need for external shunt regulator and optocoupler. It is optimized for continuous conduction mode (CCM), and can work with secondary side synchronous rectification, resulting in optimum efficiency, regulation accuracy and step load response over multiple outputs.

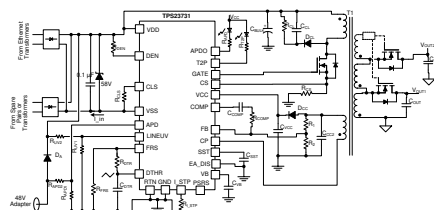
The DC-DC controller features slope compensation and blanking. Typical switching frequency is 250 kHz.

The automatic MPS enables applications with low power modes or multiple power feeds. It automatically adjusts its pulsed current amplitude and duration according to PSE Type and system conditions, to maintain power while minimizing consumption.

Device Information⁽¹⁾

PART NUMBER	PACKAGE	BODY SIZE (NOM)
TPS23731	VSON (45)	7.00 mm × 5.00 mm

- (1) For all available packages, see the orderable addendum at the end of the data sheet.



Simplified Application



Table of Contents

1 Features	1	8.4 Device Functional Modes.....	27
2 Applications	1	9 Application and Implementation	41
3 Description	1	9.1 Application Information.....	41
4 Revision History	2	9.2 Typical Application.....	41
5 Device Comparison Table	3	10 Power Supply Recommendations	44
6 Pin Configuration and Functions	3	11 Layout	45
7 Specifications	6	11.1 Layout Guidelines.....	45
7.1 Absolute Maximum Ratings	6	11.2 Layout Example.....	45
7.2 ESD Ratings	6	11.3 EMI Containment.....	45
7.3 Recommended Operating Conditions	7	11.4 Thermal Considerations and OTSD.....	45
7.4 Thermal Information	7	11.5 ESD.....	45
7.5 Electrical Characteristics: DC-DC Controller Section	7	12 Device and Documentation Support	46
7.6 Electrical Characteristics PoE	10	12.1 Documentation Support.....	46
7.7 Typical Characteristics.....	13	12.2 Support Resources.....	46
8 Detailed Description	17	12.3 Trademarks.....	46
8.1 Overview.....	17	12.4 Electrostatic Discharge Caution.....	46
8.2 Functional Block Diagram.....	18	12.5 Glossary.....	46
8.3 Feature Description.....	19	13 Mechanical, Packaging, and Orderable Information	46

4 Revision History

DATE	REVISION	NOTES
October 2020	*	Initial release.

5 Device Comparison Table

KEY FEATURES	TPS23730	TPS23731	TPS23734
Class Range	1-6	1-4	1-4
ACF Support	Yes	No	Yes
SSFD	Yes	Yes	Yes
Soft-stop	Yes	Yes	Yes
Advanced Startup	Yes	Yes	Yes
PSR (Flyback)	Yes	Yes	Yes
Auto MPS	Yes	Yes	Yes
PPD	Yes	No	No
APD	Yes	Yes	Yes
PoE allocated power and AUX power indicator(s)	TPH/TPL (parallel) or TPL (serial)	T2P, APDO	T2P, APDO

6 Pin Configuration and Functions

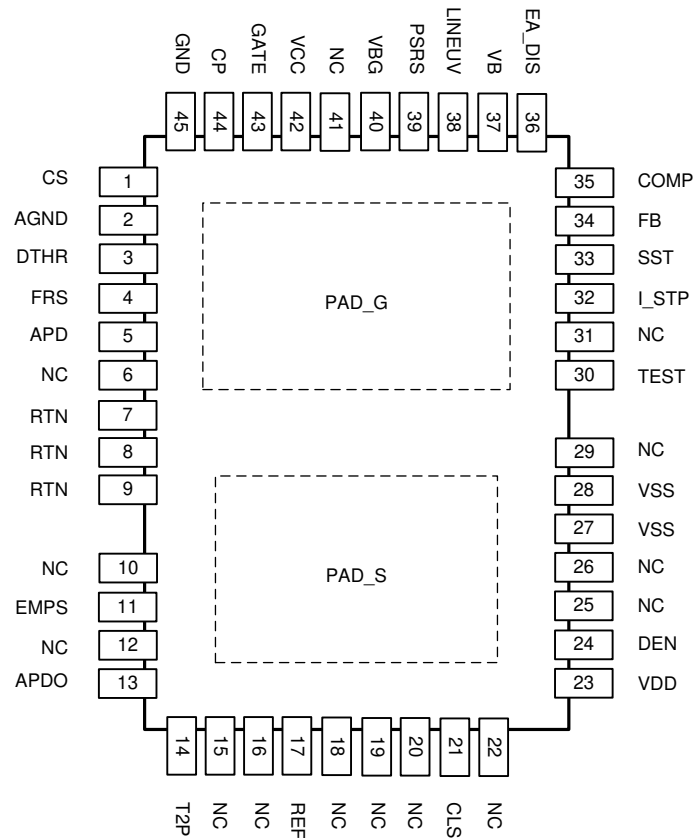


Figure 6-1. Package Pinout

Table 6-1. Pin Functions

PIN		I/O	DESCRIPTION
NO.	NAME		
1	CS	I/O	DC-DC controller current sense input. Connect directly to the external power current sense resistor.

Table 6-1. Pin Functions (continued)

PIN		I/O	DESCRIPTION
NO.	NAME		
2	AGND	-	AGND is the DC-DC converter analog return. Tie to RTN and GND on the circuit board.
3	DTHR	O	Used for spread spectrum frequency dithering. Connect a capacitor (determines the modulating frequency) from DTHR to RTN and a resistor (determines the amount of dithering) from DTHR to FRS. If dithering is not used, short DTHR to VB pin.
4	FRS	I	This pin controls the switching frequency of the DC-DC converter. Tie a resistor from this pin to RTN to set the frequency.
5	APD	I	Primary auxiliary power detect input. Raise 1.5 V above RTN to disable pass MOSFET, also turning class off. If not used, connect APD to RTN.
7, 8, 9	RTN	-	RTN is the output of the PoE hotswap and the reference ground for the DC-DC controller.
11	EMPS	I	Automatic MPS enable input, referenced to RTN, internally pulled-up to 5-V internal rail. Tie to RTN to disable automatic MPS.
13	APDO	O	Active low output referenced to RTN, indicates that an auxiliary power adapter is detected via the APD input.
14	T2P	O	Active low output that indicates a PSE has performed the IEEE 802.3at Type 2 hardware classification, or APD is active.
17	REF	O	Internal 1.25-V voltage reference. Connect a 49.9-kΩ_1% resistor from REF to VSS.
21	CLS	O	Connect a resistor from CLS to VSS to program the classification current.
23	VDD	—	Positive input power rail for PoE interface circuit and source of DC-DC converter start-up current. Bypass with a 0.1 μF to VSS and protect with a TVS.
24	DEN	I/O	Connect a 25.5-kΩ resistor from DEN to VDD to provide the PoE detection signature. Pulling this pin to VSS during powered operation causes the internal hotswap MOSFET to turn off.
27, 28	VSS	-	Negative power rail derived from the PoE source.
30	TEST	O	Used internally for test purposes only. Leave open.
32	I_STP	I	This pin sets the SST discharge current during a soft-stop event independently from the setting used during a regular soft-start event. Connect a resistor from this pin to AGND to set the DC/DC soft-stop rate.
33	SST	I/O	A capacitor from SST to RTN pin sets the soft-start (I _{SSC} charge current) and the hiccup timer (I _{SSD} discharge current) for the DC-DC converter. Connect a capacitor from this pin to RTN to set the DC/DC startup rate.
34	FB	I	Converter error amplifier inverting (feedback) input. If flyback configuration with primary-side regulation, it is typically driven by a voltage divider and capacitor from the auxiliary winding, working with CP pin, FB also being connected to the COMP compensation network. If optocoupler feedback is enabled, tie FB to VB.
35	COMP	I/O	Compensation output of the DC-DC convertor error amplifier or control loop input to the PWM. If the internal error amplifier is used, connect the compensation networks from this pin to the FB pin to compensate the converter. If optocoupler feedback is enabled, the optocoupler and its network pulled up to VB directly drives the COMP pin.
36	EA_DIS	I	Error Amplifier disable input, referenced to AGND, internally pulled-up to 5V internal rail. Leave EA_DIS open to disable the Error amplifier, to enable optocoupler feedback for example. Connect to AGND otherwise.
37	VB	O	5-V bias rail for DC/DC control circuits and the feedback optocoupler (when in use). Connect a 0.1-μF capacitor from this pin to AGND to provide bypassing.
38	LINEUV	I	LINEUV is used to monitor the bulk capacitor voltage to trigger a soft-stop event when an undervoltage condition is detected if APD is low. If not used, connect LINEUV to VB pin.
39	PSRS	I	PSR Sync enable input, referenced to AGND, internally pulled-up to 5V internal rail. PSRS works with CP pin to support flyback architecture using primary-side regulation. Leave PSRS open if the flyback output stage is configured with synchronous rectification and uses PSR. If diode rectification is used, or for applications not using PSR, connect PSRS to AGND.
40	VBG	O	5-V bias rail for the switching FET gate driver circuit. For internal use only. Bypass with a 0.1-μF ceramic capacitor to GND pin.
42	VCC	I/O	DC/DC converter bias voltage. The internal startup current source and converter bias winding output power this pin. Connect a 1μF minimum ceramic capacitor to RTN.
43	GATE	O	Gate drive output for the main DC-DC converter switching MOSFET

Table 6-1. Pin Functions (continued)

PIN		I/O	DESCRIPTION
NO.	NAME		
44	CP	O	CP provides the clamp for the primary-side regulation loop. Connect this pin to the lower end of the bias winding of the flyback transformer.
45	GND	-	.Power ground used by the flyback power FET gate driver and CP. Connect to RTN.
6, 10, 12, 15, 16, 18-20, 22, 25, 26, 29, 31, 41	NC	-	No connect pin. Leave open.
47	PAD_S	-	The exposed thermal pad must be connected to VSS. A large fill area is required to assist in heat dissipation.
46	PAD_G	-	The exposed thermal pad must be connected to RTN. A large fill area is required to assist in heat dissipation.

7 Specifications

7.1 Absolute Maximum Ratings

Voltage are with respect to V_{SS} (unless otherwise noted)⁽¹⁾

		MIN	MAX	UNIT
Input voltage	VDD, DEN, GND, AGND, RTN ⁽²⁾	-0.3	100	V
	VDD to RTN	-0.3	100	
	APD, FB, CS, EA_DIS, LINEUV, PSRS, EMPS, all to RTN	-0.3	6.5	
Voltage	FRS ⁽³⁾ , COMP, VB ⁽³⁾ , VBG ⁽³⁾ , I_STP ⁽³⁾ , DTHR ⁽³⁾ , SST ⁽³⁾ , all to RTN	-0.3	6.5	V
	VCC to RTN	-0.3	19	
	GATE ⁽³⁾ to RTN	-0.3	VCC+0.3	
	CP to GND	-0.3	60	
	GND, AGND, all to RTN	-0.3	0.3	
	REF ⁽³⁾ , CLS ⁽³⁾	-0.3	6.5	
	T2P, APDO, all to RTN	-0.3	19	
Sourcing current	VB, VBG, VCC	Internally limited		mA
	COMP	Internally limited		
	REF	Internally limited		
Sourcing current	CLS		65	mA
Sinking current	RTN	Internally limited		mA
	DEN		1	
	COMP	Internally limited		
Sinking current	T2P, APDO		10	mA
Peak sourcing current	CP		2	A
Peak sinking current	CP		0.7	A
$T_{J(max)}$	Maximum junction temperature	Internally Limited		°C
T_{stg}	Storage temperature	-65	150	°C

- (1) Stresses beyond those listed under *Absolute Maximum Ratings* may cause permanent damage to the device. These are stress ratings only, which do not imply functional operation of the device at these or any other conditions beyond those indicated under *Recommended Operating Conditions*. Exposure to absolute-maximum-rated conditions for extended periods may affect device reliability.
- (2) $I_{RTN} = 0$ for $V_{RTN} > 80$ V.
- (3) Do not apply voltage to these pins.

7.2 ESD Ratings

			VALUE	UNIT
$V_{(ESD)}$	Electrostatic discharge	Human-body model (HBM), per ANSI/ESDA/JEDEC JS-001 ⁽¹⁾	±2000	V
		Charged-device model (CDM), per JEDEC specification JESD22-C101 ⁽²⁾	±500	
		IEC 61000-4-2 contact discharge ⁽³⁾	±8000	
		IEC 61000-4-2 air-gap discharge ⁽³⁾	±15000	

- (1) JEDEC document JEP155 states that 500-V HBM allows safe manufacturing with a standard ESD control process.
- (2) JEDEC document JEP157 states that 250-V CDM allows safe manufacturing with a standard ESD control process.
- (3) Surges per EN61000-4-2, 1999 applied between RJ-45 and output ground and between adapter input and output ground of the TPS23730, TPS23730EVM-093 evaluation module (documentation available on the web). These were the test levels, not the failure threshold.

7.3 Recommended Operating Conditions

Voltage with respect to V_{SS} (unless otherwise noted)

		MIN	NOM	MAX	UNIT
Input voltage range	VDD, RTN, GND, AGND	0		60	V
	VCC to RTN	0		16	
	APD, EA_DIS, LINEUV, PSRS, FB, all to RTN	0		VB	
	CS to RTN	0		2	
	CP to GND	0		45	
Voltage range	COMP to RTN			VB	V
Voltage range	T2P, APDO, all to RTN	0		VCC	V
Sinking current	RTN			0.65	A
Sinking current	T2P, APDO			3	mA
Sourcing current	VCC			20	mA
	VB			5	
Capacitance	VB, VBG ⁽¹⁾	0.08	0.1	1	μ F
	VCC	0.7	1	100	
Resistance	I_STOP	16.5		499	K Ω
Resistance	CLS ⁽¹⁾	30			Ω
	REF ⁽¹⁾	48.9	49.9	50.9	k Ω
	Synchronization pulse width input (when used)	35			ns
T_J	Operating junction temperature	-40		125	$^{\circ}$ C

(1) Voltage should not be externally applied to this pin.

7.4 Thermal Information

THERMAL METRIC		RMT (VSON)	UNIT
		45 PINS	
$R_{\theta JA}$ ⁽¹⁾	Junction-to-ambient thermal resistance	38.5	$^{\circ}$ C/W
$R_{\theta JC(top)}$	Junction-to-case (top) thermal resistance	23.6	
$R_{\theta JB}$ ⁽¹⁾	Junction-to-board thermal resistance	19.3	
ψ_{JT} ⁽¹⁾	Junction-to-top characterization parameter	6.8	
ψ_{JB} ⁽¹⁾	Junction-to-board characterization parameter	19.3	
$R_{\theta JC(bot_POE)}$	Junction-to-case (bottom PAD_S pad) thermal resistance	3.9	
$R_{\theta JC(bot_DCDC)}$	Junction-to-case (bottom PAD_G pad) thermal resistance	9.1	

(1) Thermal metrics are not JEDEC standard values and are based on the TPS23731EVM-095 evaluation board.

7.5 Electrical Characteristics: DC-DC Controller Section

Unless otherwise noted, $V_{VDD} = 48$ V; $R_{DEN} = 25.5$ k Ω ; $R_{FRS} = 60.4$ k Ω ; $R_{I_STP} = 499$ k Ω ; CLS, T2P, APDO, and PSRS open; CS, EA_DIS, APD, EMPS, AGND and GND connected to RTN; FB, LINEUV and DTHR connected to VB; $C_{VB} = C_{VBG} = 0.1$ μ F; $C_{VCC} = 1$ μ F; $C_{SST} = 0.047$ μ F; $R_{REF} = 49.9$ k Ω ; 8.5 V $\leq V_{VCC} \leq 16$ V; -40° C $\leq T_J \leq 125^{\circ}$ C. Positive currents are into pins unless otherwise noted. Typical values are at 25 $^{\circ}$ C.

[$V_{SS} = V_{RTN}$], all voltages referred to V_{RTN} , V_{AGND} and V_{GND} unless otherwise noted.

PARAMETER	TEST CONDITIONS	MIN	TYP	MAX	UNIT	
DC-DC SUPPLY (VCC)						
V_{CUVLO_R}	Undervoltage lockout	V_{VCC} rising	8	8.25	8.5	V
V_{CUVLO_F}		V_{VCC} falling, $V_{FB} = V_{RTN}$	5.85	6.1	6.35	V
V_{CUVLO_H}		Hysteresis ⁽¹⁾	2	2.15	2.3	V

7.5 Electrical Characteristics: DC-DC Controller Section (continued)

Unless otherwise noted, $V_{VDD} = 48\text{ V}$; $R_{DEN} = 25.5\text{ k}\Omega$; $R_{FRS} = 60.4\text{ k}\Omega$; $R_{L_STP} = 499\text{ k}\Omega$; CLS, T2P, APDO, and PSRS open; CS, EA_DIS, APD, EMPS, AGND and GND connected to RTN; FB, LINEUV and DTHR connected to VB; $C_{VB} = C_{V_{BG}} = 0.1\text{ }\mu\text{F}$; $C_{V_{CC}} = 1\text{ }\mu\text{F}$; $C_{SST} = 0.047\text{ }\mu\text{F}$; $R_{REF} = 49.9\text{ k}\Omega$; $8.5\text{ V} \leq V_{VCC} \leq 16\text{ V}$; $-40^\circ\text{C} \leq T_J \leq 125^\circ\text{C}$. Positive currents are into pins unless otherwise noted. Typical values are at 25°C .

[$V_{VSS} = V_{RTN}$], all voltages referred to V_{RTN} , V_{AGND} and V_{GND} unless otherwise noted.

PARAMETER		TEST CONDITIONS	MIN	TYP	MAX	UNIT
I_{RUN}	Operating current	$V_{VCC} = 10\text{ V}$, $V_{FB} = V_{RTN}$, $R_{DT} = 24.9\text{ k}\Omega$, CP with 2-k Ω pull up to 30 V	1.2	2	2.4	mA
I_{VC_ST}	Startup source current	$V_{APD} = 2.5\text{ V}$				
		$V_{VDD} \geq 28\text{ V}$, $V_{VCC} = 11.7\text{ V}$	21.5	30	34	mA
		$V_{VDD} = 10.2\text{ V}$, $V_{VCC} = 8.6\text{ V}$	1	6	17.5	
$V_{VDD} = 10.2\text{ V}$, $V_{VCC} = 6.8\text{ V}$	8	16	32			
t_{ST}	Startup time, $C_{VCC} = 1\text{ }\mu\text{F}$	$V_{VDD} = 10.2\text{ V}$, $V_{VCC}(0) = 0\text{ V}$, measure time until V_{CUVLO_R}	0.25	0.7	1.15	ms
		$V_{VDD} = 35\text{ V}$, $V_{VCC}(0) = 0\text{ V}$, measure time until V_{CUVLO_R}	0.24	0.35	0.48	ms
V_{VC_ST}	VCC startup voltage	Measure V_{VCC} during startup, $I_{VCC} = 0\text{ mA}$	11	12.5	14	V
		Measure V_{VCC} during startup, $I_{VCC} = 21.5\text{ mA}$	11	12.5	14	
V_{VC_SSTP}	VCC soft-stop voltage	$V_{LINEUV} < V_{LIUVF}$, Measure V_{VCC} during soft-stop, $I_{VCC} = 0\text{ mA}$	11	12.5	14	V
		$V_{LINEUV} < V_{LIUVF}$, Measure V_{VCC} during soft-stop, $I_{VCC} = 21.5\text{ mA}$	11	12.5	14	
V_B						
	Voltage	$V_{FB} = V_{RTN}$, $8.5\text{ V} \leq V_{VCC} \leq 16\text{ V}$, $0 \leq I_{VB} \leq 5\text{ mA}$	4.75	5.0	5.25	V
DC-DC TIMING (FRS)						
f_{SW}	Switching frequency	$V_{FB} = V_{RTN}$, Measure at GATE	223	248	273	kHz
D_{MAX}	Duty cycle	$V_{FB} = V_{RTN}$, $R_{DT} = 24.9\text{ k}\Omega$, Measure at GATE	74.5%	78.5%	82.5%	
V_{SYNC}	Synchronization	Input threshold	2	2.2	2.4	V
FREQUENCY DITHERING RAMP GENERATOR (DTHR)						
I_{DTRCH}	Charging (sourcing) current	$0.5\text{ V} < V_{DTHR} < 1.5\text{ V}$	$3 \times I_{FRS}$			μA
			47.2	49.6	52.1	μA
I_{DTRDC}	Discharging (sinking) current	$0.5\text{ V} < V_{DTHR} < 1.5\text{ V}$	$3 \times I_{FRS}$			μA
			47.2	49.6	52.1	μA
V_{DTUT}	Dithering upper threshold	V_{DTHR} rising until $I_{DTHR} > 0$	1.41	1.513	1.60	V
V_{DTLT}	Dithering lower threshold	V_{DTHR} falling until $I_{DTHR} < 0$	0.43	0.487	0.54	V
V_{DTPP}	Dithering pk-pk amplitude		1.005	1.026	1.046	V
ERROR AMPLIFIER (FB, COMP)						
V_{REFC}	Feedback regulation voltage		1.723	1.75	1.777	V
I_{FB_LK}	FB leakage current (source or sink)	$V_{FB} = 1.75\text{ V}$			0.5	μA
G_{BW}	Small signal unity gain bandwidth		0.9	1.2		MHz
A_{OL}	Open loop voltage gain		70	80		db
V_{ZDC}	0% duty-cycle threshold	V_{COMP} falling until GATE switching stops	1.35	1.5	1.65	V
I_{COMP_H}	COMP source current	$V_{FB} = V_{RTN}$, $V_{COMP} = 3\text{ V}$	1			mA
I_{COMP_L}	COMP sink current	$V_{FB} = V_{VB}$, $V_{COMP} = 1.25\text{ V}$	2.1	6		mA
V_{COMP_H}	COMP high voltage	$V_{FB} = V_{RTN}$, 15 k Ω from COMP to RTN	4		VB	V
V_{COMP_L}	COMP low voltage	$V_{FB} = V_{VB}$, 15 k Ω from COMP to VB			1.1	V

7.5 Electrical Characteristics: DC-DC Controller Section (continued)

Unless otherwise noted, $V_{DD} = 48\text{ V}$; $R_{DEN} = 25.5\text{ k}\Omega$; $R_{FRS} = 60.4\text{ k}\Omega$; $R_{I_STP} = 499\text{ k}\Omega$; CLS, T2P, APDO, and PSRS open; CS, EA_DIS, APD, EMPS, AGND and GND connected to RTN; FB, LINEUV and DTHR connected to VB; $C_{VB} = C_{V_{BG}} = 0.1\text{ }\mu\text{F}$; $C_{VCC} = 1\text{ }\mu\text{F}$; $C_{SST} = 0.047\text{ }\mu\text{F}$; $R_{REF} = 49.9\text{ k}\Omega$; $8.5\text{ V} \leq V_{VCC} \leq 16\text{ V}$; $-40^\circ\text{C} \leq T_J \leq 125^\circ\text{C}$. Positive currents are into pins unless otherwise noted. Typical values are at 25°C .

[$V_{SS} = V_{RTN}$], all voltages referred to V_{RTN} , V_{AGND} and V_{GND} unless otherwise noted.

PARAMETER		TEST CONDITIONS	MIN	TYP	MAX	UNIT
	COMP input resistance, error amplifier disabled	EA_DIS open	70	100	130	k Ω
	COMP to CS gain	$\Delta V_{CS} / \Delta V_{COMP}$, $0\text{ V} < V_{CS} < 0.22\text{ V}$	0.19	0.2	0.21	V/V
SOFT-START, SOFT-STOP (SST, I_STP)						
I_{SSC}	Charge current	SST charging, $6.35\text{ V} \leq V_{VCC} \leq 16\text{ V}$	7.5	10	12.5	μA
I_{SSD}	Discharge current	SST discharging, $6.35\text{ V} \leq V_{VCC} \leq 16\text{ V}$	3	4	5	μA
V_{SFST}	Soft-start lower threshold		0.15	0.2	0.25	V
V_{STUOF}	Startup turn off threshold	V_{SST} rising until VCC startup turns off	1.99	2.1	2.21	V
V_{SSOFS}	Soft-start offset voltage, closed-loop mode	$V_{FB} = V_{RTN}$, V_{SST} rising until start of switching	0.2	0.25	0.3	V
	Soft-start offset voltage, peak current mode	$V_{COMP} = V_{VB}$, V_{SST} rising until start of switching, EA_DIS open	0.55	0.6	0.65	V
V_{SSCL}	Soft-start clamp		2.3		2.6	V
I_{SSD_SP}	SST discharge current in soft-stop mode	$R_{I_STP} = 499\text{ k}\Omega$, $V_{LINEUV} < V_{LIUVF}$	1.5	2	2.5	μA
		$R_{I_STP} = 16.5\text{ k}\Omega$, $V_{LINEUV} < V_{LIUVF}$	52.5	60.6	67.5	
$V_{SSTPEND}$	End of soft-stop threshold	$V_{FB} = V_{RTN}$, $V_{LINEUV} < V_{LIUVF}$	0.15	0.2	0.25	V
CURRENT SENSE (CS)						
V_{CSMAX}	Maximum threshold voltage	$V_{FB} = V_{RTN}$, V_{CS} rising	0.227	0.25	0.273	V
t_{OFFD_IL}	Current limit turn off delay	$V_{CS} = 0.3\text{ V}$	25	41	60	ns
t_{OFFD_PW}	PWM comparator turn off delay	$V_{CS} = 0.15\text{ V}$, EA_DIS open, $V_{COMP} = 2\text{ V}$	25	41	60	ns
	Blanking delay	In addition to t_{OFFD_IL} and t_{OFFD_PW}	75	95	115	ns
V_{SLOPE}	Internal slope compensation voltage	$V_{FB} = V_{RTN}$, Peak voltage at maximum duty cycle, referred to CS	51	66	79	mV
I_{SL_EX}	Peak slope compensation current	$V_{FB} = V_{RTN}$, I_{CS} at maximum duty cycle (ac component)	14	20	26	μA
	Bias current	DC component of CS current	-3	-2	-1	μA
LINE UNDERVOLTAGE, SOFT-STOP (LINEUV)						
V_{LIUVF}	LINEUV falling threshold voltage	V_{LINEUV} falling	2.86	2.918	2.976	V
V_{LIUVH}		Hysteresis ⁽¹⁾	57	82	107	mV
	Leakage current	$V_{LINEUV} = 3\text{ V}$			1	μA
GATE						
	Peak source current	$V_{FB} = V_{RTN}$, $V_{VCC} = 10\text{ V}$, $V_{GATE} = 0\text{ V}$, pulsed measurement	0.3	0.5	0.8	A
	Peak sink current	$V_{FB} = V_{RTN}$, $V_{VCC} = 10\text{ V}$, $V_{GATE} = 10\text{ V}$, pulsed measurement	0.6	0.9	1.45	A
	Rise time ⁽²⁾	$t_{pr10-90}$, $C_{GATE} = 1\text{ nF}$, $V_{VCC} = 10\text{ V}$		30		ns
	Fall time ⁽²⁾	$t_{pff90-10}$, $C_{GATE} = 1\text{ nF}$, $V_{VCC} = 10\text{ V}$		15		ns
CLAMPING FET (CP)						
$R_{DS(ON)CL}$	CP FET on resistance	$I_{CP} = 100\text{ mA}$		1.5	3.3	Ω
CLAMPING DIODE (CP)						
V_{FCP}	CP Diode forward voltage	$V_{PSRS} = 0\text{ V}$, $I_{CP} = 15\text{ mA}$	0.45	0.6	0.85	V

7.5 Electrical Characteristics: DC-DC Controller Section (continued)

Unless otherwise noted, $V_{DD} = 48\text{ V}$; $R_{DEN} = 25.5\text{ k}\Omega$; $R_{FRS} = 60.4\text{ k}\Omega$; $R_{I_STP} = 499\text{ k}\Omega$; CLS, T2P, APDO, and PSRS open; CS, EA_DIS, APD, EMPS, AGND and GND connected to RTN; FB, LINEUV and DTHR connected to VB; $C_{VB} = C_{VBG} = 0.1\text{ }\mu\text{F}$; $C_{VCC} = 1\text{ }\mu\text{F}$; $C_{SST} = 0.047\text{ }\mu\text{F}$; $R_{REF} = 49.9\text{ k}\Omega$; $8.5\text{ V} \leq V_{VCC} \leq 16\text{ V}$; $-40^\circ\text{C} \leq T_J \leq 125^\circ\text{C}$. Positive currents are into pins unless otherwise noted. Typical values are at 25°C .

[$V_{VSS} = V_{RTN}$], all voltages referred to V_{RTN} , V_{AGND} and V_{GND} unless otherwise noted.

PARAMETER		TEST CONDITIONS	MIN	TYP	MAX	UNIT
	CP Leakage current	$V_{PSRS} = 0\text{ V}$, $V_{CP} = 45\text{ V}$			20	μA
AUXILIARY POWER DETECTION (APD, APDO)						
V_{APDEN}	APD threshold voltage	V_{APD} rising	1.42	1.5	1.58	V
V_{APDH}		Hysteresis ⁽¹⁾	0.075	0.095	0.115	V
	Leakage current	$V_{APD} = 5\text{ V}$			1	μA
V_{APL}	APDO output low voltage	$V_{APD} = 5\text{ V}$, $I_{APDO} = 1\text{ mA}$, startup has completed		0.27	0.5	V
	Leakage current	$V_{APDO} = 10\text{ V}$			1	μA
THERMAL SHUTDOWN						
	Turnoff temperature		145	155	165	$^\circ\text{C}$
	Hysteresis ⁽²⁾			15		$^\circ\text{C}$

(1) The hysteresis tolerance tracks the rising threshold for a given device.

(2) These parameters are provided for reference only, and do not constitute part of TI's published device specifications for purposes of TI's product warranty.

7.6 Electrical Characteristics PoE

Unless otherwise noted, $V_{DD} = 48\text{ V}$; $R_{DEN} = 25.5\text{ k}\Omega$; $R_{FRS} = 60.4\text{ k}\Omega$; $R_{I_STP} = 499\text{ k}\Omega$; CLS, T2P, APDO, and PSRS open; CS, EA_DIS, APD, EMPS, AGND and GND connected to RTN; FB, LINEUV and DTHR connected to VB; $C_{VB} = C_{VBG} = 0.1\text{ }\mu\text{F}$; $C_{VCC} = 1\text{ }\mu\text{F}$; $C_{SST} = 0.047\text{ }\mu\text{F}$; $R_{REF} = 49.9\text{ k}\Omega$; $-40^\circ\text{C} \leq T_J \leq 125^\circ\text{C}$. Positive currents are into pins unless otherwise noted. Typical values are at 25°C .

$V_{VCC-RTN} = 0\text{ V}$, all voltages referred to V_{VSS} unless otherwise noted.

PARAMETER		TEST CONDITIONS	MIN	TYP	MAX	UNIT	
PD DETECTION (DEN)							
	Detection bias current	DEN open, $V_{DD} = 10\text{ V}$, Not in mark, Measure $I_{VDD} + I_{RTN}$	3.5	6.9	13.9	μA	
I_{Ikg}	DEN leakage current	$V_{DEN} = V_{DD} = 60\text{ V}$, Float RTN, Measure I_{DEN}		0.1	5	μA	
	Detection current	Measure $I_{VDD} + I_{DEN} + I_{RTN}$, $V_{DD} = 1.4\text{ V}$	53.5	56.5	58.6	μA	
		Measure $I_{VDD} + I_{DEN} + I_{RTN}$, $V_{DD} = 10\text{ V}$, Not in mark	391	398	406.2	μA	
V_{PD_DIS}	Hotswap disable threshold	DEN falling	3	4	5	V	
PD CLASSIFICATION (CLS)							
I_{CLS}	Classification signature current	$R_{CLS} = 806\text{ }\Omega$	$13\text{ V} \leq V_{DD} \leq 21\text{ V}$, Measure $I_{VDD} + I_{DEN} + I_{RTN}$	1.9	2.5	2.9	mA
		$R_{CLS} = 130\text{ }\Omega$	$13\text{ V} \leq V_{DD} \leq 21\text{ V}$, Measure $I_{VDD} + I_{DEN} + I_{RTN}$	9.9	10.6	11.3	mA
		$R_{CLS} = 69.8\text{ }\Omega$	$13\text{ V} \leq V_{DD} \leq 21\text{ V}$, Measure $I_{VDD} + I_{DEN} + I_{RTN}$	17.6	18.6	19.4	mA
		$R_{CLS} = 46.4\text{ }\Omega$	$13\text{ V} \leq V_{DD} \leq 21\text{ V}$, Measure $I_{VDD} + I_{DEN} + I_{RTN}$	26.5	27.9	29.3	mA
		$R_{CLS} = 32\text{ }\Omega$	$13\text{ V} \leq V_{DD} \leq 21\text{ V}$, Measure $I_{VDD} + I_{DEN} + I_{RTN}$	37.8	39.9	42	mA

7.6 Electrical Characteristics PoE (continued)

Unless otherwise noted, $V_{DD} = 48\text{ V}$; $R_{DEN} = 25.5\text{ k}\Omega$; $R_{FRS} = 60.4\text{ k}\Omega$; $R_{I_STP} = 499\text{ k}\Omega$; CLS, T2P, APDO, and PSRS open; CS, EA_DIS, APD, EMPS, AGND and GND connected to RTN; FB, LINEUV and DTHR connected to VB; $C_{VB} = C_{VBG} = 0.1\text{ }\mu\text{F}$; $C_{VCC} = 1\text{ }\mu\text{F}$; $C_{SST} = 0.047\text{ }\mu\text{F}$; $R_{REF} = 49.9\text{ k}\Omega$; $-40^\circ\text{C} \leq T_J \leq 125^\circ\text{C}$. Positive currents are into pins unless otherwise noted. Typical values are at 25°C .

$V_{VCC-RTN} = 0\text{ V}$, all voltages referred to V_{VSS} unless otherwise noted.

PARAMETER		TEST CONDITIONS		MIN	TYP	MAX	UNIT
I_{CLS}	Classification signature current, 3rd class event	$R_{CLS} = 32\text{ }\Omega$	$13\text{ V} \leq V_{DD} \leq 21\text{ V}$, Measure $I_{VDD} + I_{DEN} + I_{RTN}$	37.8	39.9	42	mA
V_{CL_ON}	Classification regulator lower threshold rising	V_{DD} rising, $I_{CLS} \uparrow$		11.4	12.2	13	V
V_{CL_H}	Classification regulator lower threshold	Hysteresis ⁽¹⁾		0.8	1.2	1.6	V
V_{CU_OFF}	Classification regulator upper threshold	V_{DD} rising, $I_{CLS} \downarrow$		21	22	23	V
V_{CU_H}		Hysteresis ⁽¹⁾		0.5	0.77	1	V
V_{MSR}	Mark state reset threshold	V_{DD} falling		3	3.9	5	V
	Mark state resistance	2-point measurement at 5 V and 10.1 V		6	10	12	k Ω
I_{Ikg}	Leakage current	$V_{DD} = 60\text{ V}$, $V_{CLS} = 0\text{ V}$, $V_{DEN} = V_{VSS}$. Measure I_{CLS}				1	μA
t_{LCF_PD}	Long first class event timing	Class 1st event time duration for short MPS		76	81.5	87	ms
RTN (PASS DEVICE)							
	ON-resistance				0.3	0.55	Ω
I_{LIM}	Current limit	$V_{RTN} = 1.5\text{ V}$, pulsed measurement		0.75	0.925	1.1	A
I_{IRSH}	inrush current limit	$V_{RTN} = 2\text{ V}$, V_{DD} : 20 V \rightarrow 48 V, measure I_{RTN} , pulsed measurement		100	140	180	mA
	Inrush termination	Percentage of inrush current.		80%	90%	99%	
t_{INR_DEL}		Inrush delay		80	84	88	ms
	Foldback voltage threshold	V_{RTN} rising		13.5	14.8	16.1	V
	Foldback deglitch time	V_{RTN} rising to when current limit changes to inrush current limit. This applies in normal operating condition or during auto MPS mode.		1.5	1.8	2.1	ms
	Leakage current	$V_{DD} = V_{RTN} = 100\text{ V}$, $V_{DEN} = V_{VSS}$				70	μA
PSE TYPE INDICATION (T2P)							
	Output low voltage	$I_{T2P} = 1\text{ mA}$, after 2- or 3-event classification, startup has completed, $V_{RTN} = 0\text{ V}$			0.27	0.5	V
	Leakage current	$V_{T2P-RTN} = 10\text{ V}$, $V_{RTN} = 0\text{ V}$				1	μA
PD INPUT SUPPLY (VDD)							
V_{UVLO_R}	Undervoltage lockout threshold	V_{DD} rising		35.8	37.6	39.5	V
V_{UVLO_F}	Undervoltage lockout threshold	V_{DD} falling		30.5	32	33.6	V
V_{UVLO_H}	Undervoltage lockout threshold	Hysteresis ⁽¹⁾		5.7	6.0	6.3	V
I_{VDD_ON}	Operating current	$40\text{ V} \leq V_{DD} \leq 60\text{ V}$, Startup completed, $V_{VCC} = 10\text{ V}$, Measure I_{VDD}			650	1040	μA
I_{VDD_OFF}	Off-state current	RTN, GND and VCC open, $V_{DD} = 30\text{ V}$, Measure I_{VDD}				730	μA
MPS							
I_{MPSL}	MPS total VSS current for Type 1-2 PSE	EMPS open, inrush delay has completed, $0\text{ mA} \leq I_{RTN} \leq 10\text{ mA}$, measure I_{VSS}		10	12.5	15.5	mA

7.6 Electrical Characteristics PoE (continued)

Unless otherwise noted, $V_{DD} = 48\text{ V}$; $R_{DEN} = 25.5\text{ k}\Omega$; $R_{FRS} = 60.4\text{ k}\Omega$; $R_{I_STP} = 499\text{ k}\Omega$; CLS, T2P, APDO, and PSRS open; CS, EA_DIS, APD, EMPS, AGND and GND connected to RTN; FB, LINEUV and DTHR connected to VB; $C_{VB} = C_{VBG} = 0.1\text{ }\mu\text{F}$; $C_{VCC} = 1\text{ }\mu\text{F}$; $C_{SST} = 0.047\text{ }\mu\text{F}$; $R_{REF} = 49.9\text{ k}\Omega$; $-40^\circ\text{C} \leq T_J \leq 125^\circ\text{C}$. Positive currents are into pins unless otherwise noted. Typical values are at 25°C .

$V_{VCC-RTN} = 0\text{ V}$, all voltages referred to V_{VSS} unless otherwise noted.

PARAMETER		TEST CONDITIONS		MIN	TYP	MAX	UNIT
I_{MPSH}	MPS total VSS current for Type 3-4 PSE	EMPS open, inrush delay has completed, $0\text{ mA} \leq I_{RTN} \leq 16\text{ mA}$, measure I_{VSS}		16.25	19	21.5	mA
		MPS pulsed current duty-cycle	EMPS open	26.2%	26.6%	26.9%	
t_{MPSL}	MPS pulsed mode duty cycle for Type 1-2 PSE	MPS pulsed current ON time	EMPS open	76	81.5	87	ms
		MPS pulsed current OFF time	EMPS open		225	245	ms
	MPS pulsed mode duty-cycle for Type 3-4 PSE	MPS pulsed current duty-cycle, no pulse stretching	EMPS open	2.9%	3.0%	3.1%	
t_{MPSH}		MPS pulsed current ON time, no pulse stretching	EMPS open	7.2	7.7	8.1	ms
		MPS pulsed current OFF time	EMPS open	238	250	265	ms
		MPS pulsed current ON time stretching limit	EMPS open	54	57	62	ms
THERMAL SHUTDOWN							
	Turnoff temperature			148	158	168	$^\circ\text{C}$
	Hysteresis ⁽²⁾				15		$^\circ\text{C}$

(1) The hysteresis tolerance tracks the rising threshold for a given device.

(2) These parameters are provided for reference only.

7.7 Typical Characteristics

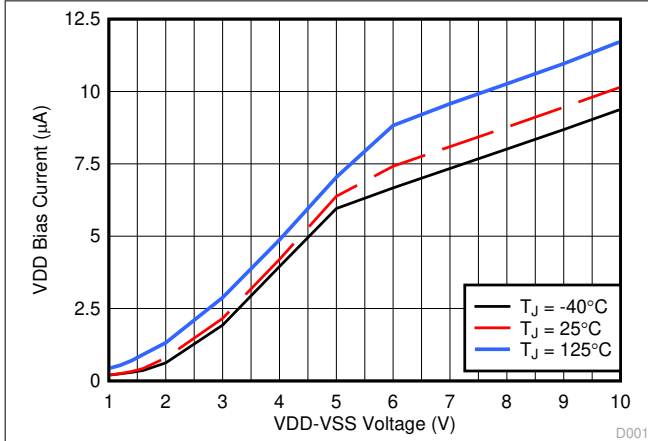


Figure 7-1. Detection Bias Current vs Voltage

D001

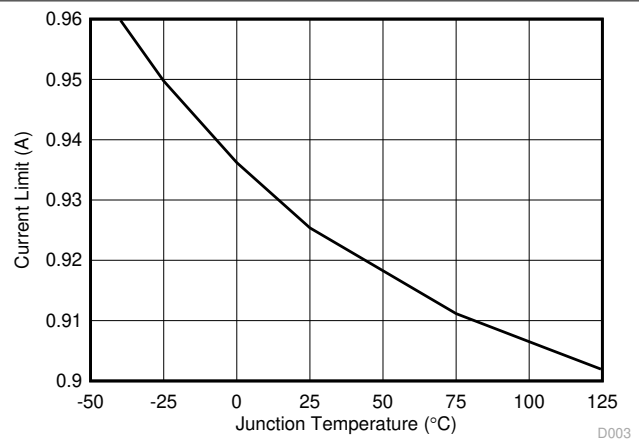


Figure 7-2. PoE Current Limit vs Temperature

D003

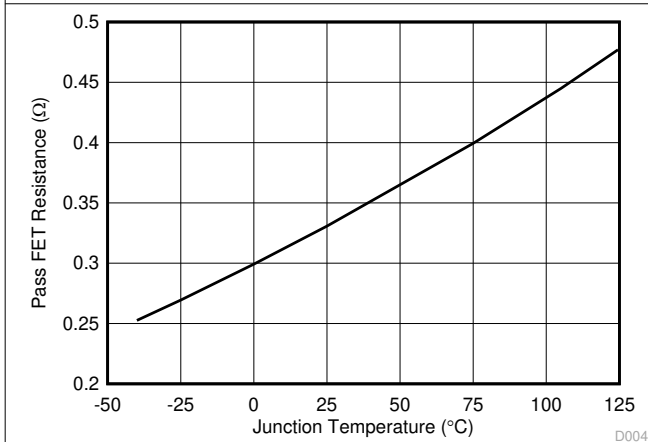


Figure 7-3. Pass FET Resistance vs Temperature

D004

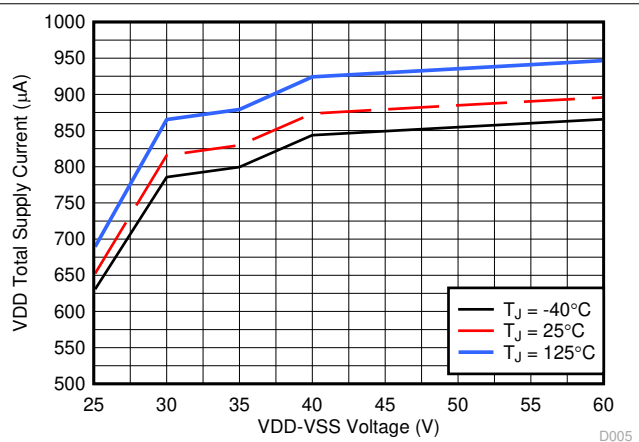


Figure 7-4. VDD Supply Current vs Voltage

D005

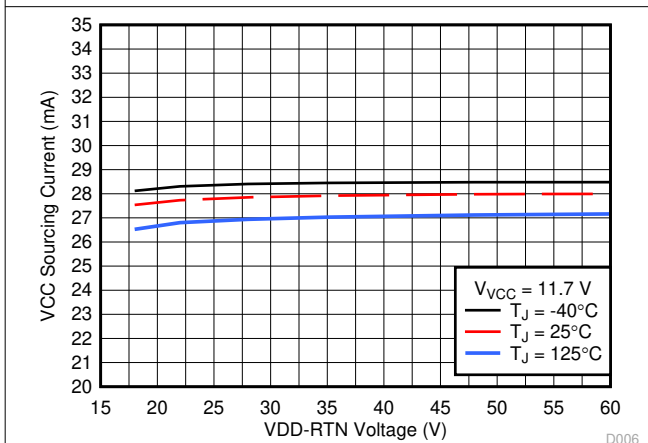


Figure 7-5. Converter Startup Current vs VDD Input Voltage

D006

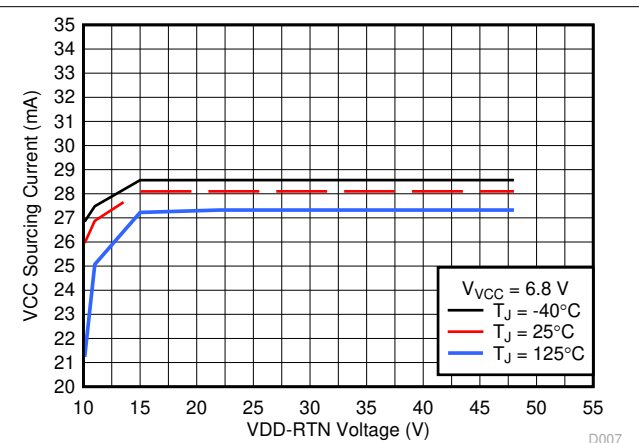
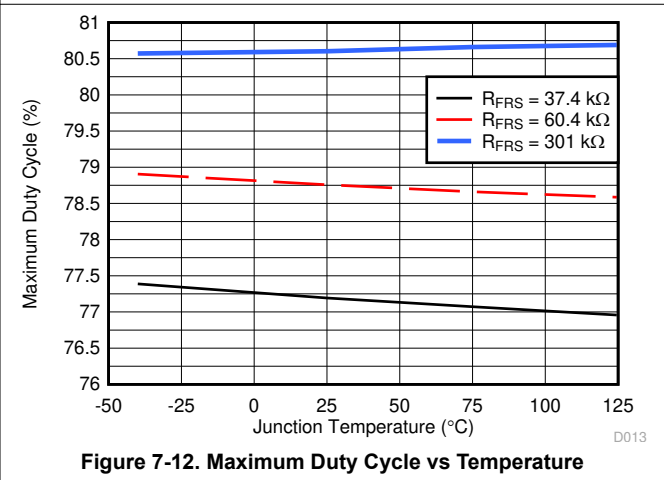
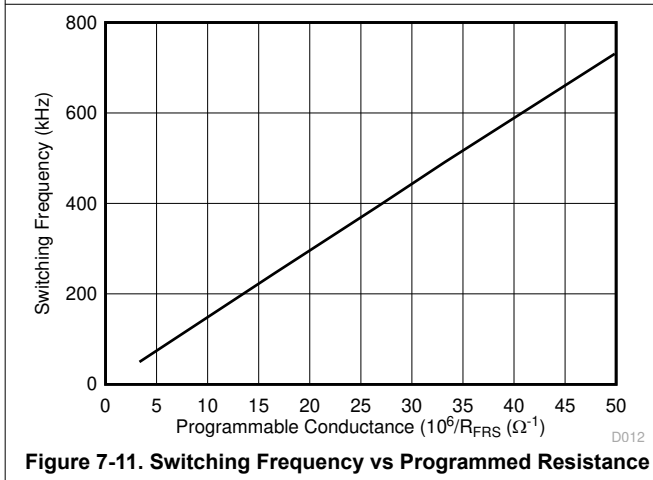
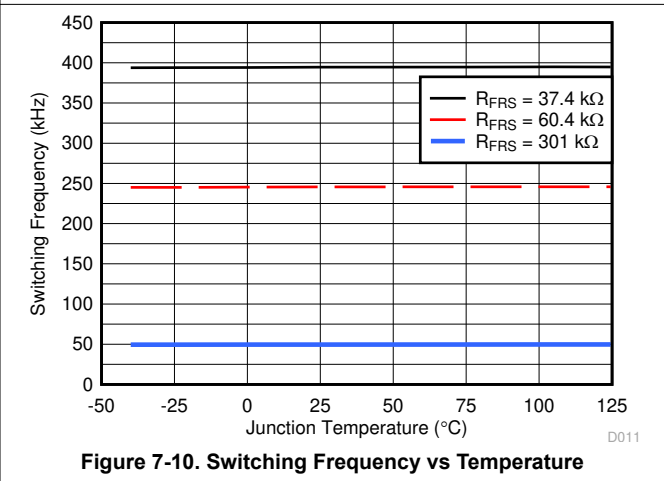
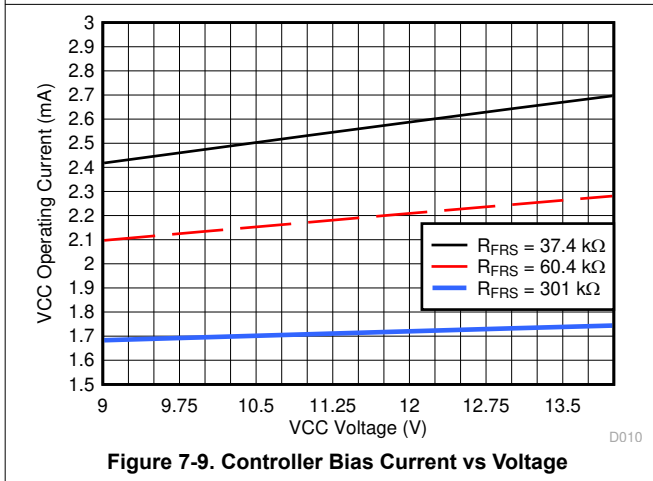
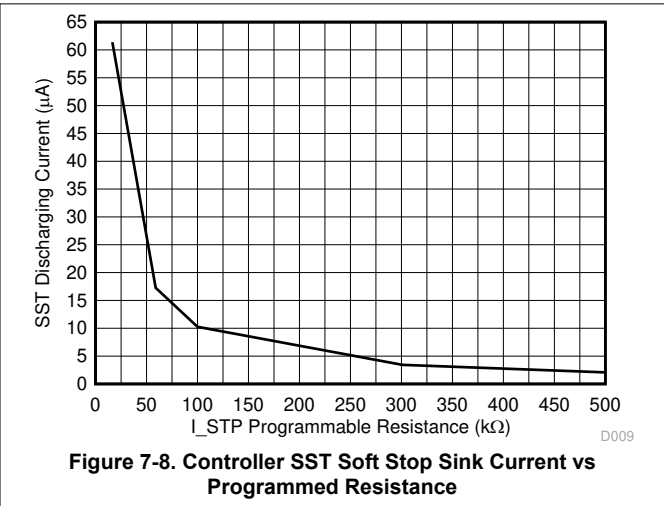
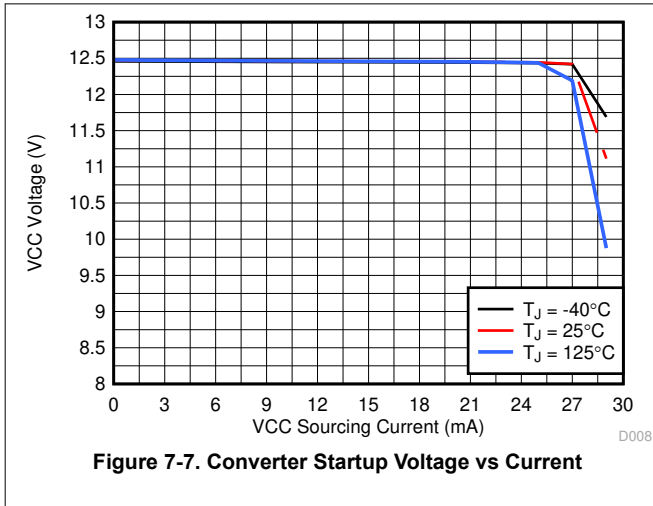


Figure 7-6. Converter Startup Current vs VDD Input Voltage

D007

7.7 Typical Characteristics (continued)



7.7 Typical Characteristics (continued)

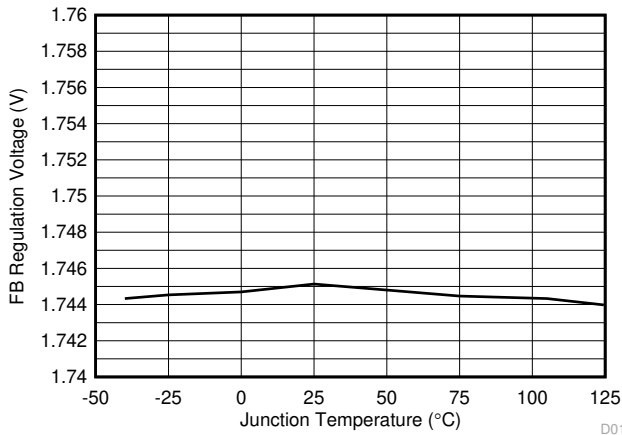


Figure 7-13. Feedback Regulation Voltage vs Temperature

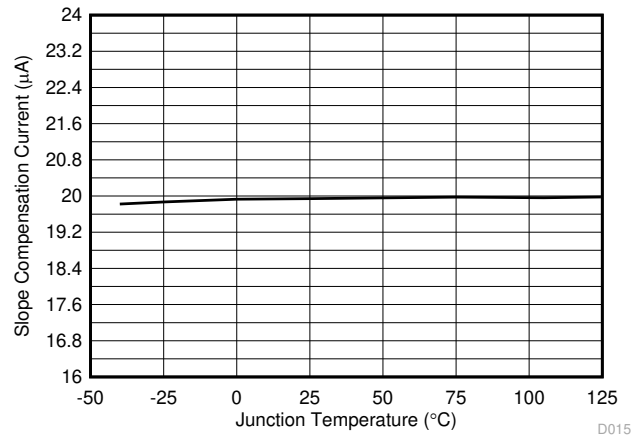


Figure 7-14. Current Slope Compensation Current vs Temperature

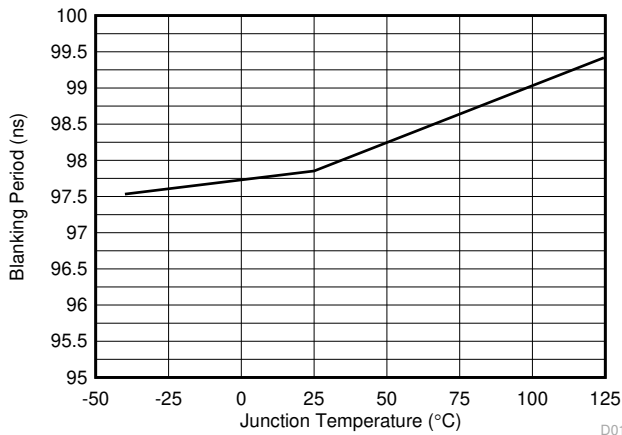


Figure 7-15. Blanking Period vs Temperature

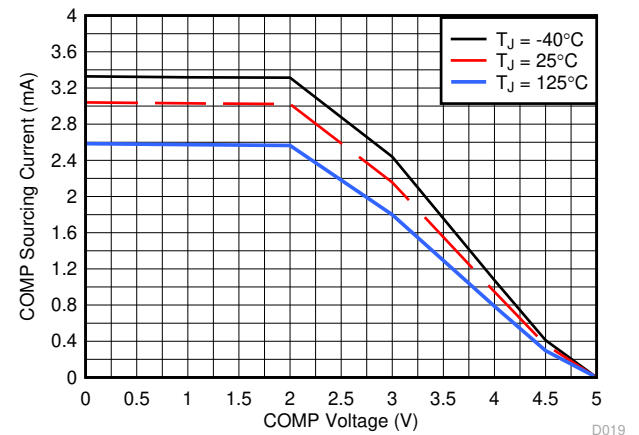


Figure 7-16. Error Amplifier Source Current

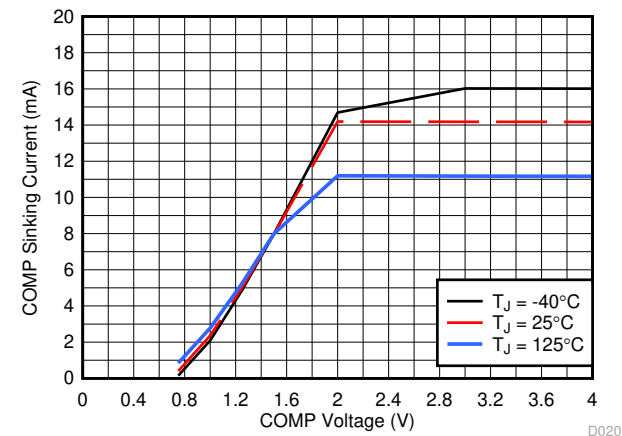


Figure 7-17. Error Amplifier Sink Current

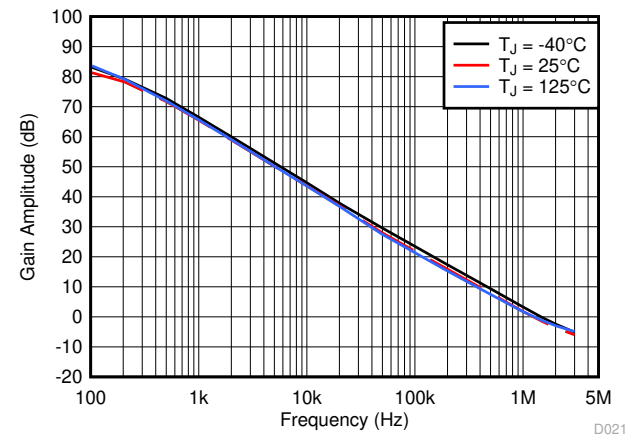


Figure 7-18. Error Amplifier Gain vs Frequency

7.7 Typical Characteristics (continued)

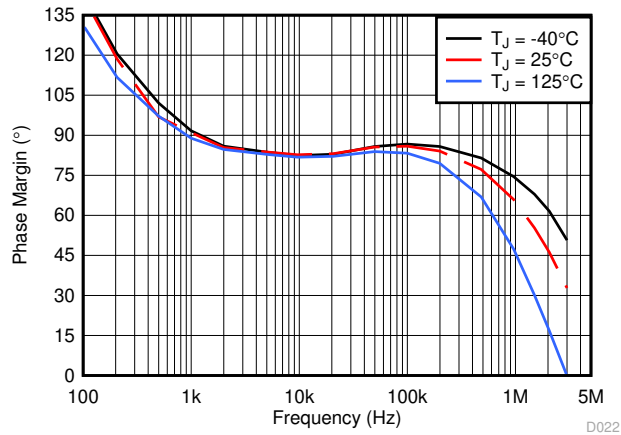


Figure 7-19. Error Amplifier Phase vs Frequency

8 Detailed Description

8.1 Overview

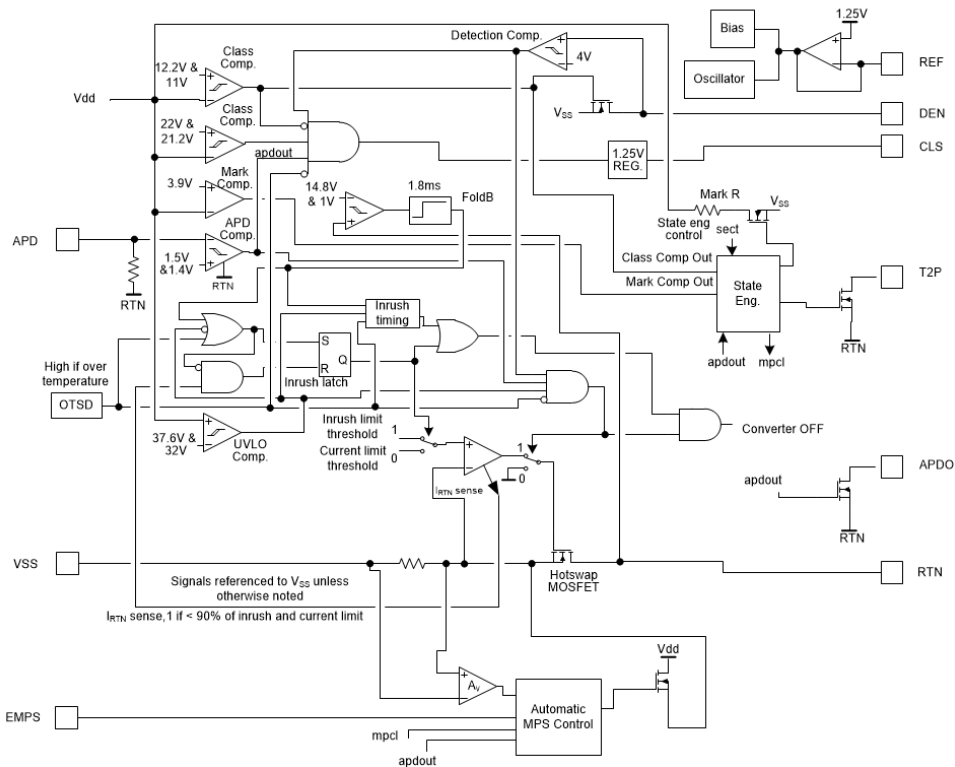
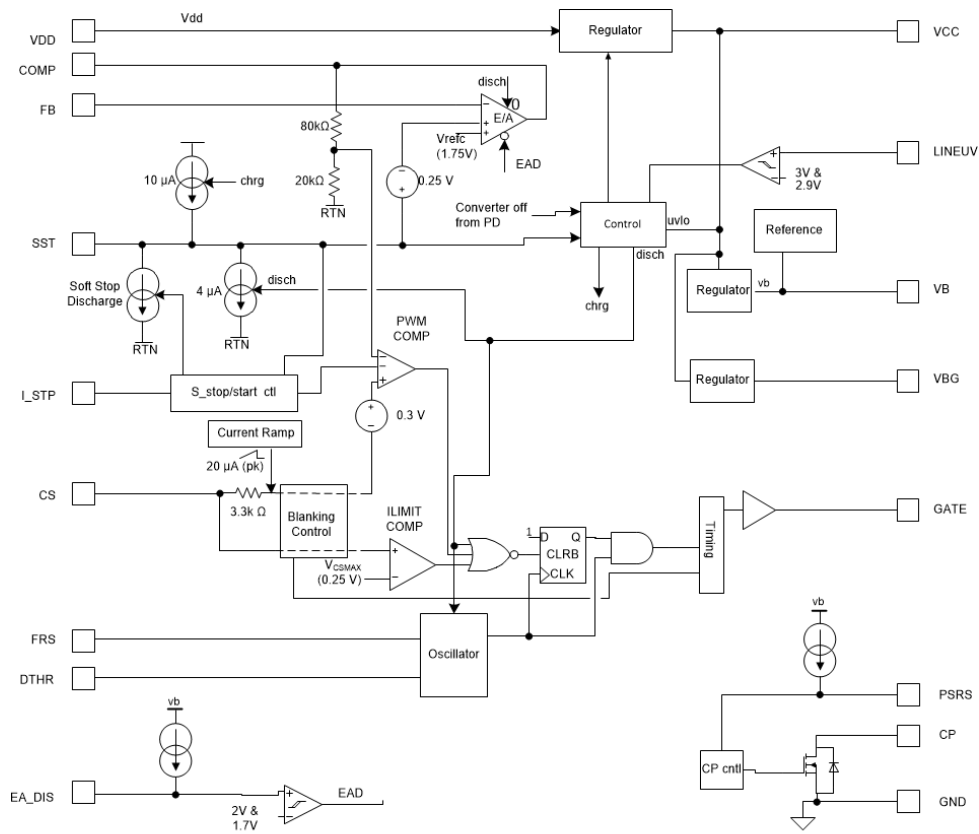
The TPS23731 device is a 45-pin integrated circuit that contains all of the features needed to implement a single interface IEEE 802.3bt Type 3 Class 1-4 and IEEE802.3at powered device (PD), combined with a current-mode DC-DC controller optimized for flyback switching regulator design. The TPS23731 applies to flyback converter applications, also supporting the use of primary side control.

Basic PoE PD functionality supported includes detection, hardware classification, and inrush current limit during startup. DC-DC converter features include startup function and current mode control operation. The TPS23731 device integrates a low 0.3- Ω internal switch to minimize heat dissipation and maximize power utilization.

A number of input voltage Oring options or input voltage ranges are also supported by use of APD input.

The TPS23731 device contains several protection features such as thermal shutdown, current limit foldback, and a robust 100-V internal return switch.

8.2 Functional Block Diagram



8.3 Feature Description

See [Figure 9-1](#) for component reference designators (R_{CS} for example), and [Electrical Characteristics: DC-DC Controller Section](#) for values denoted by reference (V_{CSMAX} for example). Electrical Characteristic values take precedence over any numerical values used in the following sections.

8.3.1 CLS Classification

An external resistor (R_{CLS} in [Figure 9-1](#)) connected between the CLS pin and VSS provides a classification signature to the PSE. The controller places a voltage of approximately 1.25 V across the external resistor whenever the voltage differential between VPD and VSS lies from about 11 V to 22 V. The current drawn by this resistor, combined with the internal current drain of the controller and any leakage through the internal pass MOSFET, creates the classification current. [Table 8-1](#) lists the external resistor values required for each of the PD power ranges defined by IEEE802.3at. The maximum average power drawn by the PD, plus the power supplied to the downstream load, should not exceed the maximum power indicated in [Table 8-1](#). The TPS23731 supports class 0 – 4 power levels. Holding APD high disables the classification signatures.

Table 8-1. Class Resistor Selection

CLASS	POWER AT PD PI		RESISTOR (Ω)
	MINIMUM (W)	MAXIMUM (W)	
0	0.44	12.95	806
1	0.44	3.84	130
2	3.84	6.49	69.8
3	6.49	12.95	46.4
4	12.95	25.5	32

8.3.2 DEN Detection and Enable

DEN pin implements two separate functions. A resistor (R_{DEN} in [Figure 9-1](#)) connected between VDD and DEN generates a detection signature whenever the voltage differential between VDD and VSS lies from approximately 1.4 to 10.9 V. Beyond this range, the controller disconnects this resistor to save power. The IEEE 802.3bt and IEEE 802.3at standards specify a detection signature resistance, R_{detect} from 23.75 k Ω to 26.25 k Ω , or 25 k $\Omega \pm 5\%$. TI recommends a resistor of 25.5 k $\Omega \pm 1\%$ for R_{DEN} .

Pulling DEN to VSS during powered operation causes the internal hotswap MOSFET and class regulator to turn off. If the resistance connected between VDD and DEN is divided into two roughly equal portions, then the application circuit can disable the PD by grounding the tap point between the two resistances, while simultaneously spoiling the detection signature which prevents the PD from properly re-detecting.

8.3.3 APD Auxiliary Power Detect

The APD pin is used in applications that may draw power either from the Ethernet cable or from an auxiliary power source. When a voltage of more than about 1.5 V is applied on the APD pin relative to RTN, the TPS23731 does the following:

- Internal pass MOSFET is turned off
- Classification current is disabled
- The LINEUV input is disabled
- Maintain Power Signature (MPS) pulsed mode is disabled
- T2P and APDO outputs are turned on (low state)

This also gives adapter source priority over the PoE. A resistor divider (R_{APD1} – R_{APD2} in [Figure 9-1](#)) provides system-level ESD protection for the APD pin, discharges leakage from the blocking diode (D_A in [Figure 9-1](#)) and provides input voltage supervision to ensure that switch-over to the auxiliary voltage source does not occur at excessively low voltages. If not used, connect APD to RTN.

8.3.4 Internal Pass MOSFET

RTN pin provides the negative power return path for the load. It is internally connected to the drain of the PoE hotswap MOSFET, and the DC-DC controller return. RTN must be treated as a local reference plane (ground plane) for the DC-DC controller and converter primary to maintain signal integrity.

Once V_{VDD} exceeds the UVLO threshold, the internal pass MOSFET pulls RTN to VSS. Inrush limiting prevents the RTN current from exceeding a nominal value of about 140 mA until the bulk capacitance (C_{BULK} in [Figure 9-1](#)) is fully charged. Two conditions must be met to reach the end of inrush phase. The first one is when the RTN current drops below about 90% of nominal inrush current at which point the current limit is changed to 0.925 A, while the second one is to ensure a minimum inrush delay period of 80 ms (t_{INR_DEL}) from beginning of the inrush phase. DC-DC converter switching is permitted once both inrush conditions are met, meaning that the bulk capacitance is fully charged and the inrush period has been completed.

If $V_{RTN} - V_{VSS}$ ever exceeds about 14.8 V for longer than 1.8 ms, then the PD returns to inrush limiting; note that in this particular case, the second condition described above about inrush phase duration (80 ms) is not applicable

8.3.5 T2P and APDO Indicators

The state of T2P is used to provide information relative to the allocated power. [Table 8-2](#) lists T2P state corresponding to various combinations of PSE Type, PD Class and allocated power. The allocated power is determined by the number of classification cycles having been received. The PSE may also allocate a lower power than what the PD is requesting, in which case there is power demotion. The APDO output can also be used to indicate the presence of auxiliary power adapter via the APD input.

Table 8-2. T2P and Allocated Power Truth Table, with APD Low

PSE TYPE	PD CLASS	NUMBER OF CLASS CYCLES	PSE ALLOCATED POWER AT PD (W)	T2P ⁽¹⁾
1-4	0	1	12.95	HIGH
1-4	1	1	3.84	HIGH
1-4	2	1	6.49	HIGH
1-4	3	1	12.95	HIGH
2	4	2	25.5	LOW
3-4	4	2,3	25.5	LOW

(1) If APD is high, both T2P and APDO outputs become low.

During startup, the T2P output is enabled only once the DC-DC controller has reached steady-state, the soft-start having been completed. This output will return to a high-impedance state in any of the following cases:

- DC-DC controller is back to soft-start mode
- DC-DC controller transitions to soft-stop mode
- DC-DC controller shuts off due to reasons including V_{VCC} falling below V_{CUVLO_F} , or the PoE hotswap is in inrush limit while APD is low
- The device enters thermal shutdown

Note that in all these cases, as long as VDD-to-VSS voltage remains above the mark reset threshold, the internal logic state of this signal is remembered such that this output will be activated accordingly after the soft-start has completed. This circuit resets when the VDD-to-VSS voltage drops below the mark reset threshold. The T2P can be left unconnected if not used.

8.3.6 DC-DC Controller Features

The TPS23731 device DC-DC controller implements a typical current-mode control as shown in [Functional Block Diagram](#). Features include oscillator, overcurrent and PWM comparators, current-sense blanker, soft-start, soft-stop and gate driver. In addition, an internal current-compensation ramp generator, frequency synchronization logic, built-in frequency dithering functionality, thermal shutdown, and start-up current source with control are provided.

The TPS23731 is optimized for isolated converters, supporting the use of PSR (flyback configuration) and optocoupler feedback .

To support PSR, the TPS23731 includes an internal error amplifier, and the voltage feedback is from the bias winding.

If optocoupler feedback is used, the error amplifier is disabled (by use of EA_DIS input). In this case, the optocoupler output directly drives the COMP pin which serves as a current-demand control to the PWM.

In both cases, the COMP signal is directly fed to a 5:1 internal resistor divider and an offset of $V_{ZDC}/5$ (~0.3 V) which defines a current-demand control for the pulse width modulator (PWM). A V_{COMP} below V_{ZDC} stops converter switching, while voltages above $(V_{ZDC} + 5 \times (V_{CSMAX} + V_{SLOPE}))$ does not increase the requested peak current in the switching MOSFET.

The internal start-up current source and control logic implement a bootstrap-type startup. The startup current source charges C_{VCC} from VDD and maintain its voltage when the converter is disabled or during the soft-start period, while operational power must come from a converter (bias winding) output.

The bootstrap source provides reliable start-up from widely varying input voltages, and eliminates the continual power loss of external resistors.

The peak current limit does not have duty cycle dependency unless R_S is used as shown in [Figure 8-2](#) to increase slope compensation. This makes it easier to design the current limit to a fixed value.

The DC-DC controller has an OTSD that can be triggered by heat sources including the VB regulator, GATE driver, bootstrap current source, and bias currents. The controller OTSD turns off VB, the switching FET, resets the soft-start generator, and forces the VCC control into an undervoltage state.

8.3.6.1 VCC, VB, VBG and Advanced PWM Startup

The VCC pin connects to the auxiliary bias supply for the DC-DC controller. The switching MOSFET gate driver draws current directly from the VCC pin. VB and VBG outputs are regulated down from VCC voltage, the former providing power to the internal control circuitry and external feedback optocoupler (when in use), and the latter providing power to the switching FET gate predriver circuit. A startup current source from VDD to VCC implements the converter bootstrap startup. VCC must receive power from an auxiliary source, such as an auxiliary winding on the flyback transformer, to sustain normal operation after startup.

The startup current source is turned on during the inrush phase, charging C_{VCC} and maintaining its voltage, and it is turned off only after the DC-DC soft-start cycle has been completed, which occurs when the DC-DC converter has ramped up its output voltage and V_{SST} has exceed approximately 2.1 V (V_{STUOF}), as shown in [Figure 8-1](#). Internal loading on VCC, VB and VBG is initially minimal while C_{VCC} charges, to allow the converter to start. Due to the high current capability of the startup source, the recommended capacitance at VCC is relatively small, typically 1 μ F in most applications.

Once V_{VCC} falls below its UVLO threshold (V_{CUVLO_F} , approximately 6.1 V), the converter shuts off and the startup current source is turned back on, initiating a new PWM startup cycle.

If however a V_{VCC} fall (below approximately 7.1 V) is due to a light load condition causing temporary switching stop, the startup is immediately and for a short period turned back on to bring VCC voltage back up, with no converter interruption.

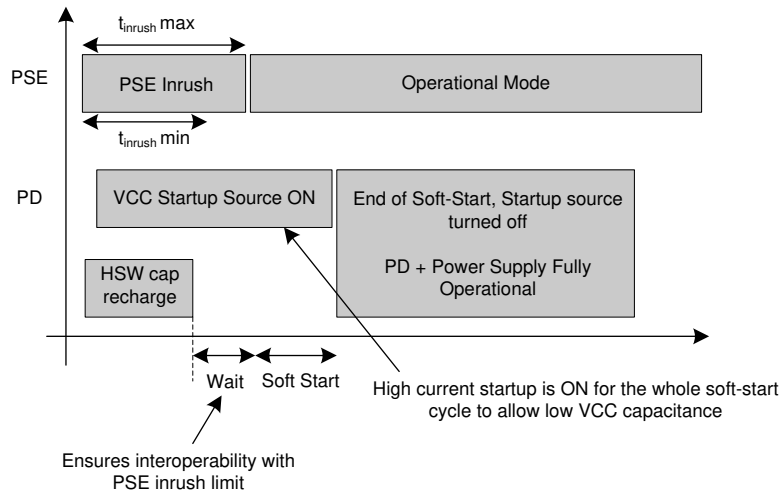


Figure 8-1. Advanced Startup

Note that the startup current source is also turned on while in soft-stop mode.

8.3.6.2 CS, Current Slope Compensation and blanking

The current-sense input for the DC-DC converter should be connected to the high side of the current-sense resistor of the switching MOSFET. This voltage drives the current limit comparator and the PWM comparator (see Block Diagram of DC-DC controller). A leading-edge blanking circuit prevents MOSFET turn-on transients from falsely triggering either of these comparators. During the off time, and also during the blanking time that immediately follows, the CS pin is pulled to AGND through an internal pulldown resistor.

The current limit comparator terminates the on-time portion of the switching cycle as soon as V_{CS} exceeds approximately 250 mV (V_{CSMAX}) and the leading edge blanking interval has expired. If the converter is not in current limit, then either the PWM comparator or the maximum duty cycle limiting (D_{MAX}) circuit terminates the on time.

Current-mode control requires addition of a compensation ramp to the sensed inductive (transformer or inductor) current for stability at duty cycles near and over 50%. The TPS23731 provides an internal slope compensation circuit which generates a current that imposes a voltage ramp at the positive input of the PWM comparator to suppress sub-harmonic oscillations. This current flows out of the CS pin. If desired, the magnitude of the slope compensation can be increased by the addition of an external resistor R_S (see Figure 8-2) in series with the CS pin. It works with ramp current ($I_{PK} = I_{SL-EX}$, approximately 20 μA) that flows out of the CS pin when the MOSFET is on. The I_{PK} specification does not include the approximately 2- μA fixed current that flows out of the CS pin.

The TPS23731 has a maximum duty cycle limit of 78%, permitting the design of wide input-range converters with a lower voltage stress on the output rectifiers. While the maximum duty cycle is 78%, converters may be designed that run at duty cycles well below this for a narrower, 36-V to 57-V range.

Most current-mode control papers and application notes define the slope compensation values in terms of V_{PP}/T_S (peak ramp voltage / switching period); however, [Electrical Characteristics: DC-DC Controller Section](#) specifies the slope peak (V_{SLOPE}) based on the maximum duty cycle. Assuming that the desired slope, $V_{SLOPE-D}$ (in mV/period), is based on the full period, compute R_S per Equation 1 where $V_{SLOPE-D}$, D_{MAX} , and I_{SL-EX} are from [Electrical Characteristics: DC-DC Controller Section](#) with voltages in mV, current in μA , and the duty cycle is unitless (for example, $D_{MAX} = 0.78$).

$$R_S(\Omega) = \frac{[V_{SLOPE-D}(\text{mV}) - (V_{SLOPE}(\text{mV})/D_{MAX})]}{I_{SL-EX}(\mu A)} \times 1000 \quad (1)$$

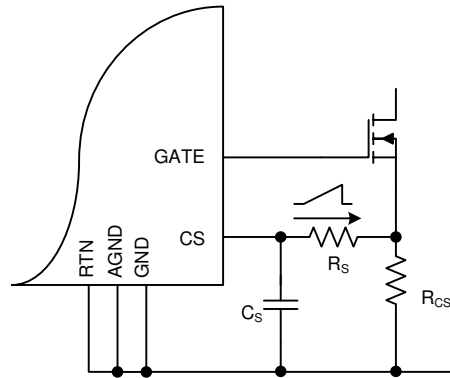


Figure 8-2. Additional Slope Compensation

The TPS23731 blanker timing is precise enough that the traditional R-C filters on CS can be eliminated. This avoids current-sense waveform distortion, which tends to get worse at light output loads. There may be some situations or designers that prefer an R-C approach, for example if the presence of R_S causes increased noise, due to adjacent noisy signals, to appear at CS pin. The TPS23731 provides a pulldown on CS ($\sim 400\ \Omega$) during the GATE OFF-time to improve sensing when an R-C filter must be used, by reducing cycle-to-cycle carry-over voltage on C_S .

Routing between the current-sense resistor and the CS pin should be short to minimize cross-talk from noisy traces such as the gate drive signal and the CP signal.

8.3.6.3 COMP, FB, EA_DIS, CP, PSRS and Opto-less Feedback

The TPS23731 DC-DC controller implements current-mode control as shown in [Functional Block Diagram](#), using internal (via pins FB input and COMP output, with EA_DIS pulled low) or external (via COMP input, with EA_DIS open) voltage control loop error amplifier to define the input reference voltage of the current mode control comparator which determines the switching MOSFET peak current.

V_{COMP} below V_{ZDC} causes the converter to stop switching. The maximum (peak) current is requested at approximately $(V_{ZDC} + 5 \times (V_{CSMAX} + V_{SLOPE}))$. The AC gain from COMP to the PWM comparator is typically 0.2.

In flyback applications and with the internal error amplifier enabled, the TPS23731 DC-DC controller can operate with feedback from an auxiliary winding of the flyback power transformer to achieve primary side regulation (PSR), eliminating the need for external shunt regulator and optocoupler. One noteworthy characteristic of this PSR is that it operates with continuous (DC) feedback, enabling better optimization of the power supply, and resulting in significantly lower noise sensitivity.

When combined with secondary-side synchronous rectification (with PSRS open), the opto-less operation of the TPS23731 is achieved with a unique approach which basically consists in actively cancelling (through the use of CP output) the leading-edge voltage overshoot (causing the feedback capacitor to peak-charge) generated by the transformer winding. When combined with a correctly designed power transformer, less than $\pm 1.5\%$ load regulation (typical) over the full output current range becomes achievable in applications making use of secondary-side synchronous rectifiers. Operation is in continuous conduction mode (CCM), also enabling multi-output architectures.

Opto-less operation of the TPS23731 also applies (with PSRS pulled low) to single-output flyback converter applications where a secondary-side diode rectifier is used. In typical 12-V output application and when combined with a correctly designed power transformer, $\sim \pm 3\%$ load regulation over a wide ($< 5\%$ to 100%) output current range can be achieved.

In applications where the internal error amplifier is disabled, the COMP pin receives the control voltage typically from a TL431 or TLV431 shunt regulator driving an optocoupler, using VB pin as a pull up source, although other configurations are possible.

8.3.6.4 FRS Frequency Setting and Synchronization

The FRS pin programs the (free-running) oscillator frequency, and may also be used to synchronize the TPS23731 converter to a higher frequency. The internal oscillator sets the maximum duty cycle and controls the current-compensation ramp circuit, making the ramp height independent of frequency. R_{FRS} must be selected per Equation 2.

$$R_{FRS} \text{ (k}\Omega\text{)} = \frac{15000}{f_{SW} \text{ (kHz)}} \quad (2)$$

The TPS23731 may be synchronized to an external clock to eliminate beat frequencies from a sampled system, or to place emission spectrum away from an RF input frequency. Synchronization may be accomplished by applying a short pulse (> 25 ns) of magnitude V_{SYNC} to FRS as shown in Figure 8-3. R_{FRS} must be chosen so that the maximum free-running frequency is just below the desired synchronization frequency. The synchronization pulse terminates the potential ON-time period, and the OFF-time period does not begin until the pulse terminates. A short pulse is preferred to avoid reducing the potential ON-time.

Figure 8-3 shows examples of nonisolated and transformer-coupled synchronization circuits. R_T reduces noise susceptibility for the isolation transformer implementation. The FRS node must be protected from noise because it is high impedance.

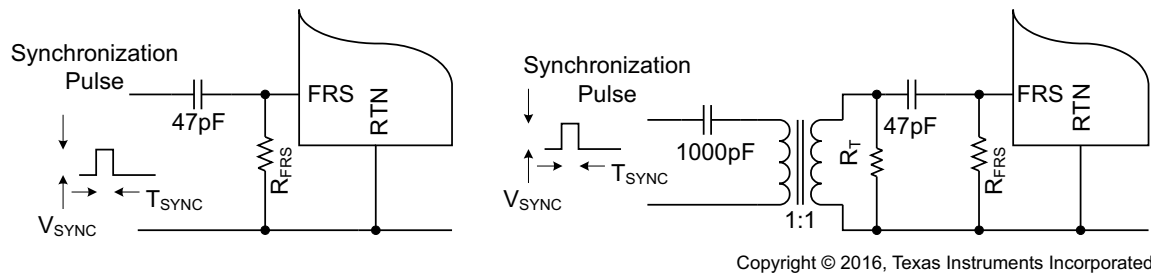


Figure 8-3. Synchronization

8.3.6.5 DTHR and Frequency Dithering for Spread Spectrum Applications

The international standard CISPR 22 (and adopted versions) is often used as a requirement for conducted emissions. Ethernet cables are covered as a telecommunication port under section 5.2 for conducted emissions. Meeting EMI requirements is often a challenge, with the lower limits of Class B being especially hard. Circuit board layout, filtering, and snubbing various nodes in the power circuit are the first layer of control techniques. A more detailed discussion of EMI control is presented in *Practical Guidelines to Designing an EMI Compliant PoE Powered Device With Isolated Flyback*, SLUA469. Additionally, IEEE 802.3at sections 33.3 and 33.4 and IEEE 802.3bt sections 145.3 and 145.4 have requirements for noise injected onto the Ethernet cable based on compatibility with data transmission.

A technique referred to as frequency dithering can also be used to provide additional EMI measurement reduction. The switching frequency is modulated to spread the narrowband individual harmonics across a wider bandwidth, thus lowering peak measurements.

Fully programmable frequency dithering is a built-in feature of the TPS23731. The oscillator frequency can be dithered by connecting a capacitor from DTHR to RTN and a resistor from DTHR to FRS. An external capacitor, C_{DTR} (Figure 9-1), is selected to define the modulation frequency f_m . This capacitor is being continuously charged and discharged between slightly less than 0.5 V and slightly above 1.5 V by a current source/sink equivalent to $\sim 3x$ the current through FRS pin. C_{DTR} value is defined according to:

$$C_{DTR} = \frac{3/R_{FRS} \text{ (}\Omega\text{)}}{2.052 \times f_m \text{ (Hz)}} \quad (3)$$

f_m should always be higher than 9 kHz, which is the resolution bandwidth applied during conducted emission measurement. Typically, f_m should be set to around 11 kHz to account for component variations.

The resistor R_{DTR} is used to determine Δf , which is the amount of dithering, and its value is determined according to:

$$R_{DTR} (\Omega) = \frac{0.513 \times R_{FRS} (\Omega)}{\%DTHR} \quad (4)$$

For example, a 13.2% dithering with a nominal switching frequency of 250 kHz results in frequency variation of ± 33 kHz.

8.3.6.6 SST and Soft-Start of the Switcher

Converters require a soft-start to prevent output overshoot on startup. In PoE applications, the PD also needs soft-start to limit its input current at turn on below the limit allocated by the power source equipment (PSE).

For flyback applications using primary-side control, the TPS23731 provides closed loop controlled soft-start, which applies a slowly rising ramp voltage to a second control input of the error amplifier. The lower of the reference input and soft-start ramp controls the error amplifier, allowing the output voltage to rise in a smooth monotonic fashion.

In all other applications where secondary-side regulation is used, the TPS23731 provides a current-loop soft-start, which controls the switching MOSFET peak current by applying a slowly rising ramp voltage to a second PWM control input. The lower of COMP-derived current demand and soft-start ramp controls the PWM comparator. Note that in this case there is usually a (slower) secondary-side soft-start implemented with the typical TL431 or TLV431 error amplifier to complement the action of the primary-side soft-start.

The soft-start period of the TPS23731 is adjustable with a capacitor between SST and RTN. During soft-start, C_{SST} (Figure 9-1) is being charged from less than 0.2 V to 2.45 V by a $\sim 10\mu\text{A}$ current source. Once V_{SST} has exceeded approximately 2.1 V (V_{STUOF}), the VCC startup is also turned off.

The actual control range of the primary-side closed-loop soft-start capacitor voltage is between 0.25V and 2V nominally. Therefore, the soft-start capacitor value must be based on this control range and the required soft-start period (t_{SS}) according to:

$$C_{SS} (\text{nF}) = \frac{I_{SSC} (\mu\text{A}) \times t_{SS} (\text{ms})}{(2 - 0.25)} \quad (5)$$

The actual control range of the current-loop soft-start capacitor voltage is between 0.6V and 1.2V nominally. Therefore, the soft-start capacitor value must be based on this control range and the required soft-start period (t_{SS}) according to:

$$C_{SS} (\text{nF}) = \frac{I_{SSC} (\mu\text{A}) \times t_{SS} (\text{ms})}{(1.2 - 0.6)} \quad (6)$$

Note that the VCC startup turns off only when 2.1 V is reached, allowing additional time for the secondary-side soft-start to complete. For more details regarding the secondary-side soft start, refer to [Application Information](#).

8.3.6.7 SST, I_{STP}, LINEUV and Soft-Stop of the Switcher

The soft-stop feature is provided by the TPS23731 to minimize stress on switching power components caused by power shutdown, allowing FET BOM cost reduction. Soft-stop action consists in discharging in a controlled way the output capacitor of the converter, sending back the energy to the input bulk capacitor.

Once the LINEUV input detects that the input power source has been removed (while APD is also low), the SST capacitor is discharged with a constant current, ramping down the switching MOSFET peak current. The SST discharge current (I_{SSD_SP}) is defined with R_{I_STP} according to:

$$I_{SSD_SP} (\mu A) = \frac{1000}{R_{I_STP} (k\Omega)} \quad (7)$$

To accelerate the impact of the soft-stop, the internal peak current limit threshold is also immediately stepped down to approximately 50 mV at beginning of soft-stop.

8.3.7 Switching FET Driver - GATE

GATE is the gate drive outputs for the DC-DC converter's main switching MOSFET.

GATE's phase turns the main switch on when it transitions high, and off when it transitions low. It is also held low when the converter is disabled.

8.3.8 EMPS and Automatic MPS

To maintain PSE power in situation of very low I_{RTN} condition, the TPS23731 generates a pulsed current through VSS pin with an amplitude adjusted such that its net current reaches a level high enough to maintain power.

The pulsed current amplitude (I_{MPSL} , I_{MPSH}) and duration (t_{MPSL} , t_{MPSH}) are automatically selected according to PSE Type (1-2, 3-4), to maintain PSE power while minimizing power consumption. Auto-stretch feature is also used to cancel the impact of system conditions (bulk capacitance and PoE cable impedance) on the effective pulsed current duration. See Figure 8-4, where the illustrated pulsed current is coming out of the VSS pin, while I_{LOAD} is the DC current going into the RTN pin.

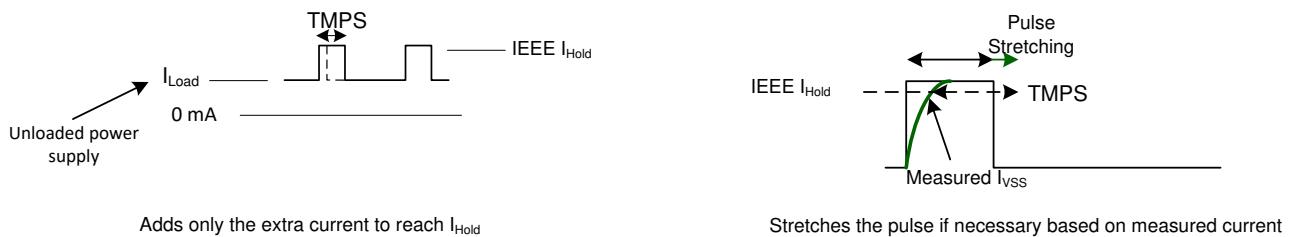


Figure 8-4. Auto MPS

Note that prior to entering the MPS mode, a light load condition is detected on RTN pin with a deglitch time period of approximately 5 ms.

8.3.9 VDD Supply Voltage

VDD connects to the positive side of the input supply. It provides operating power to the PD controller, allows monitoring of the input line voltage and serves as the source of DC-DC converter startup current. If V_{VDD} falls below its UVLO threshold and goes back above it, or if a thermal shutdown resumes even if V_{VDD} remains above its UVLO threshold, the TPS23731 returns to inrush phase.

8.3.10 RTN, AGND, GND

RTN is internally connected to the drain of the PoE hotswap MOSFET, while AGND is the quiet analog reference for the DC-DC controller return. GND is the power ground used by the flyback power FET gate driver and CP output, and should be tied to AGND and RTN plane. The AGND / GND / RTN net should be treated as a local reference plane (ground plane) for the DC-DC control and converter primary. The PAD_G exposed thermal pad is internally connected to RTN pin.

8.3.11 VSS

VSS is the PoE input-power return side. It is the reference for the PoE interface circuits, and has a current-limited hotswap switch that connects it to RTN. VSS is clamped to a diode drop above RTN by the hotswap switch. The PAD_S exposed thermal pad is internally connected to VSS pin. This pad must be connected to VSS pin to ensure proper operation.

8.3.12 Exposed Thermal pads - PAD_G and PAD_S

PAD_G should be tied to a large RTN copper area on the PCB to provide a low resistance thermal path to the circuit board.

PAD_S should be tied to a large VSS copper area on the PCB to provide a low resistance thermal path to the circuit board. TI recommends maintaining a clearance of 0.025" between VSS and high-voltage signals such as VDD.

8.4 Device Functional Modes

8.4.1 PoE Overview

The following text is intended as an aid in understanding the operation of the TPS23731, but it is not a substitute for the actual IEEE 802.3bt or 802.3at standards. The IEEE 802.3bt standard is an update to IEEE 802.3-2018, adding Clause 145 (PoE), including power delivery using all four pairs, high-power options, additional features to reduce standby power consumption and enhanced classification.

Generally speaking, a device compliant to IEEE 802.3-2012 is referred to as a Type 1 (Class 0-3) or 2 (Class 4) device, and devices with higher power and enhanced classification is referred to as Type 3 (Class 5, 6) or 4 (Class 7, 8) devices. Type 3 devices will also include Class 0-4 devices that are 4-pair capable. Standards change and must always be referenced when making design decisions.

The IEEE 802.3at and 802.3bt standards define a method of safely powering a PD (powered device) over a cable by power sourcing equipment (PSE), and then removing power if a PD is disconnected. The process proceeds through an idle state and three operational states of detection, classification, and operation. There is also a fourth operational state used by Type 3 and 4 PSEs, called "connection check", to determine if the PD has same (single interface) or independent (dual interface or commonly referred to "dual-signature" in the IEEE802.3bt standard) classification signature on each pairset. The PSE leaves the cable unpowered (idle state) while it periodically looks to see if something has been plugged in; this is referred to as detection. The low power levels used during detection and connection check are unlikely to damage devices not designed for PoE. If a valid PD signature is present, the PSE may inquire how much power the PD requires; this is referred to as classification. The PSE may then power the PD if it has adequate capacity.

Type 3 or Type 4 PSEs are required to do an enhanced hardware classification of Type 3 or 4 respectively. Type 2 PSEs are required to do Type 1 hardware classification plus a data-layer classification, or an enhanced Type 2 hardware classification. Type 1 PSEs are not required to do hardware or data link layer (DLL) classification. A Type 3 or Type 4 PD must do respectively Type 3 or Type 4 hardware classification as well as DLL classification. A Type 2 PD must do Type 2 hardware classification as well as DLL classification. The PD may return the default, 13-W current-encoded class, or one of four other choices if Type 2, one of six other choices if Type 3, and one of eight other choices if Type 4. DLL classification occurs after power-on and the Ethernet data link has been established

Once started, the PD must present the maintain power signature (MPS) to assure the PSE that it is still present. The PSE monitors its output for a valid MPS, and turns the port off if it loses the MPS. Loss of the MPS returns the PSE to the idle state. [Figure 8-5](#) shows the operational states as a function of PD input voltage.

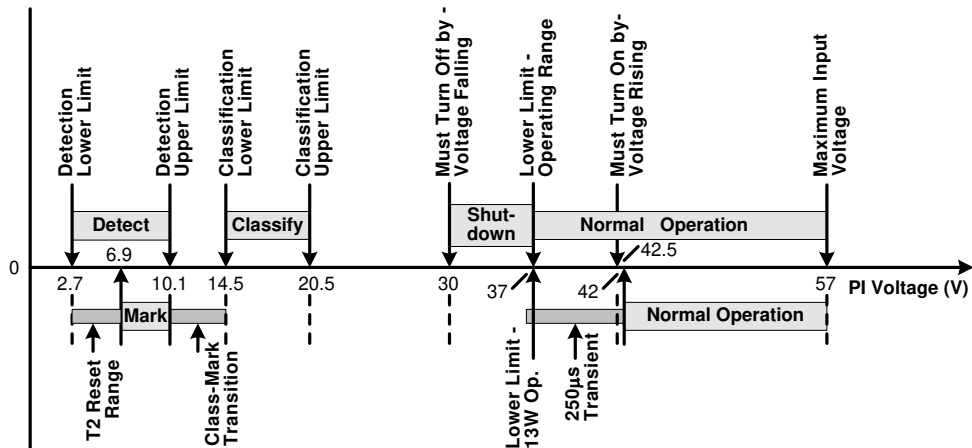


Figure 8-5. Operational States

The PD input, typically an RJ-45 eight-lead connector, is referred to as the power interface (PI). PD input requirements differ from PSE output requirements to account for voltage drops and operating margin. The standard allots the maximum loss to the cable regardless of the actual installation to simplify implementation. IEEE 802.3-2008 was designed to run over infrastructure including ISO/IEC 11801 class C (CAT3 per TIA/EIA-568) that may have had AWG 26 conductors. IEEE 802.3at Type 2 and IEEE 802.3bt Type 3 cabling power loss allotments and voltage drops have been adjusted for 12.5-Ω power loops per ISO/IEC11801 class D (CAT5 or higher per TIA/EIA-568, typically AWG 24 conductors). [Table 8-3](#) shows key operational limits broken out for the two revisions of the standard.

Table 8-3. Comparison of Operational Limits

STANDARD	POWER LOOP RESISTANCE (MAX)	PSE OUTPUT POWER (MIN)	PSE STATIC OUTPUT VOLTAGE (MIN)	PD INPUT POWER (MAX)	STATIC PD INPUT VOLTAGE	
					POWER ≤ 13 W	POWER > 13 W
IEEE802.3-2012 802.3at (Type 1)	20 Ω	15.4 W	44 V	13 W	37 V – 57 V	N/A
802.3bt (Type 3)	12.5 Ω		50 V			
802.3at (Type 2) 802.3bt (Type 3)	12.5 Ω	30 W	50 V	25.5 W	37 V – 57 V	42.5 V – 57 V
802.3bt (Type 3)	6.25 Ω (4-pair)	60 W	50 V	51 W	N/A	42.5 V - 57 V
802.3bt (Type 4)	6.25 Ω (4-pair)	90 W	52 V	71.3 W	N/A	41.2 V - 57 V

The PSE can apply voltage either between the RX and TX pairs (pins 1–2 and 3–6 for 10baseT or 100baseT), or between the two spare pairs (4–5 and 7–8). Power application to the same pin combinations in 1000/2.5G/5G/10GbaseT systems is recognized in IEEE 802.3bt. 1000/2.5G/5G/10GbaseT systems can handle data on all pairs, eliminating the spare pair terminology. Type 1 and 2 PSEs are allowed to apply voltage to only one set of pairs at a time, while Type 3 and 4 PSEs may apply power to one or both sets of pairs at a time. The PD uses input diode or active bridges to accept power from any of the possible PSE configurations. The voltage drops associated with the input bridges create a difference between the standard limits at the PI and the TPS23731 specifications.

A compliant Type 2, 3 or 4 PD has power management requirements not present with a Type 1 PD. These requirements include the following:

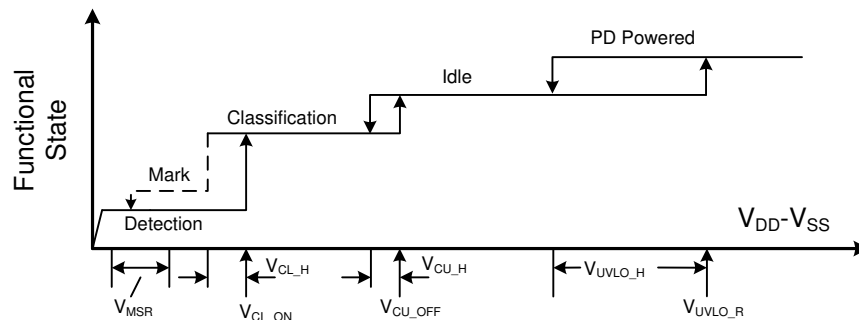
1. Must interpret respectively Type 2, 3 or 4 hardware classification.
2. Must present hardware Class 4 during the first two classification events, applicable to Type 2 and 4 PDs, as well as to Type 3 PD with Class level 4 or higher.
3. If Type 3 Class 5-6 or Type 4 single interface PD, it must present hardware Class in the range of 0 to 3 during the third and any subsequent classification events.

4. Must implement DLL negotiation.
5. Must draw less than 400 mA from 50 ms until 80 ms after the PSE applies operation voltage (power up), if Type 2 or 3, single interface PD. This covers the PSE inrush period, which is 75 ms maximum.
6. Must draw less than 800 mA total and 600 mA per pairset from 50 ms until 80 ms after the PSE applies operation voltage (power up), if Type 4 (Class 7-8) single interface PD.
7. Must not draw more than 60 mA and 5 mA any time the input voltage falls below respectively 30 V and 10 V.
8. Must not draw more than 13 W if it has not received at least a Type 2 hardware classification or received permission through DLL.
9. Must not draw more than 25.5 W if it has not received at least 4 classification events or received permission through DLL.
10. Must not draw more than 51 W if it has not received at least 5 classification events or received permission through DLL.
11. Must meet various operating and transient templates.
12. Optionally monitor for the presence or absence of an adapter.

As a result of these requirements, the PD must be able to dynamically control its loading, and monitor T2P for changes. APDO can also be used in cases where the design needs to know specifically if an adapter is plugged in and operational.

8.4.2 Threshold Voltages

The TPS23731 has a number of internal comparators with hysteresis for stable switching between the various states as shown in Figure 8-5. Figure 8-6 relates the parameters in *Electrical Characteristics PoE* to the PoE states. The mode labeled idle between classification and operation implies that the DEN, CLS, and RTN pins are all high impedance. The state labeled Mark, which is drawn in dashed lines, is part of the Type 2-3-4 hardware class state machine.



Note: Variable names refer to Electrical Characteristic Table parameters

Figure 8-6. Threshold Voltages

8.4.3 PoE Start-Up Sequence

The waveforms of Figure 8-7 demonstrate detection, classification, and start-up from a Type 2 PSE with Class 4 hardware classification. The key waveforms shown are $V_{VDD-VSS}$, $V_{RTN-VSS}$, and I_{PI} . IEEE802.3bt and IEEE 802.3at require a minimum of two detection levels; however, four levels are shown in this example. Four levels guard against misdetection of a device when plugged in during the detection sequence.

V_{RTN} to V_{SS} falls as the TPS23731 charges C_{BULK} following application of full voltage. In Figure 8-9, the converter soft-start is also delayed until the end of inrush period.

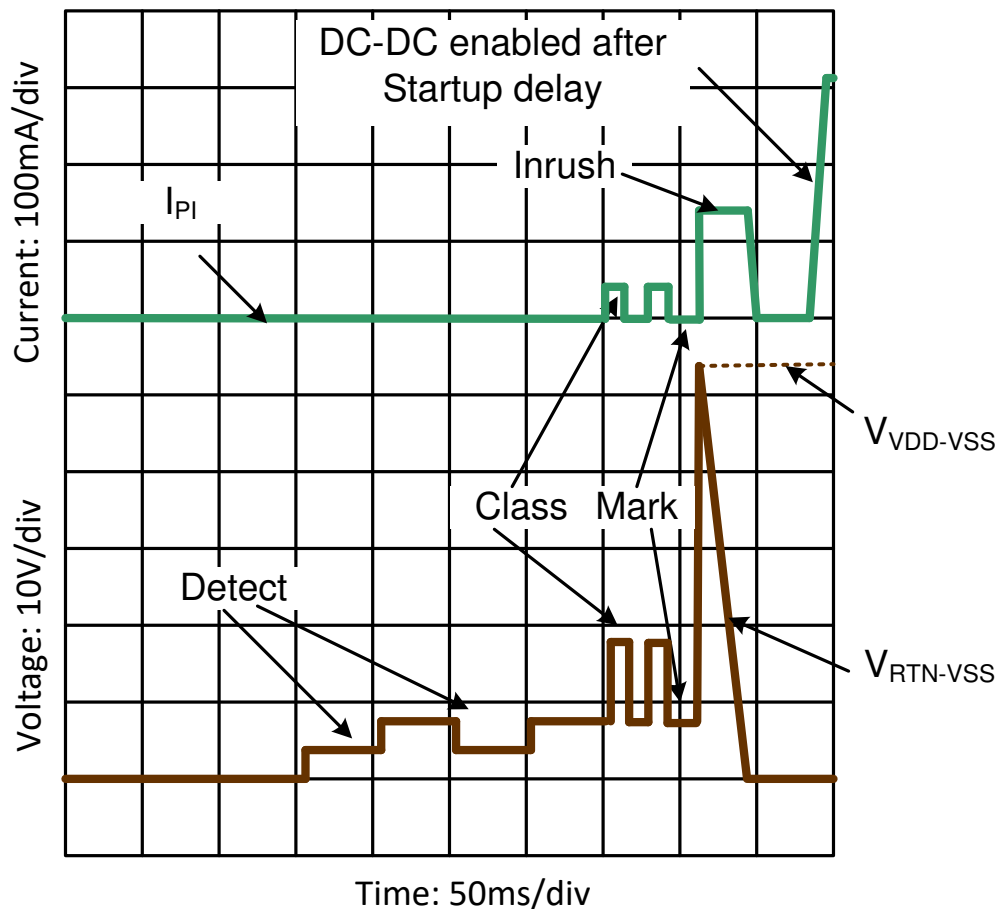


Figure 8-7. PoE Start-Up Sequence

8.4.4 Detection

The TPS23731 is in detection mode whenever $V_{VDD-V_{SS}}$ is below the lower classification threshold. When the input voltage rises above V_{CL_ON} , the DEN pin goes to an open-drain condition to conserve power. While in detection, RTN is high impedance, almost all the internal circuits are disabled, and the DEN pin is pulled to V_{SS} . An R_{DEN} of 25.5 k Ω (1%), presents the correct signature. It may be a small, low-power resistor because it only sees a stress of about 5 mW. A valid PD detection signature is an incremental resistance between 23.75 k Ω and 26.25 k Ω at the PI.

The detection resistance seen by the PSE at the PI is the result of the input bridge resistance in series with the parallel combination of R_{DEN} and the TPS23731 bias loading. The incremental resistance of the input diode bridge may be hundreds of ohms at the very low currents drawn when 2.7 V is applied to the PI. The input bridge resistance is partially cancelled by the effective resistance of the TPS23731 during detection.

8.4.5 Hardware Classification

Hardware classification allows a PSE to determine a PD's power requirements before powering, and helps with power management once power is applied. Type 2, 3, and 4 hardware classification permits high power PDs to determine whether the PSE can support its high-power operation. The number of class cycles generated by the PSE prior to turn on indicates to the PD if it allots the power requested or if the allocated power is less than requested, in which case there is power demotion.

A Type 2 PD always presents Class 4 in hardware to indicate that it is a 25.5W device. A Class 5 or 6 Type 3 PD presents Class 4 in hardware during the first two class events and it presents Class 0 or 1, respectively, for all subsequent class events. A Class 7 or 8 Type 4 PD presents Class 4 in hardware during the first two class events and it presents Class 2 or 3, respectively, for all subsequent class events. A Type 1 PSE will treat

a Class 4 to 8 device like a Class 0 device, allotting 13 W if it chooses to power the PD. A Type 2 PSE will treat a Class 5 to 8 device like a Class 4 device, allotting 25.5W if it chooses to power the PD. A Class 4 PD that receives a 2-event class, a Class 5 or 6 PD that receives a 4-event class, or a Class 7 or 8 PD that receives a 5-event class, understands that the PSE has agreed to allocate the PD requested power. In the case where there is power demotion, the PD may choose to not start, or to start while not drawing more power than initially allocated, and request more power through the DLL after startup. The standard requires a Type 2, 3 or 4 PD to indicate that it is underpowered if this occurs. Startup of a high-power PD at lower power than requested implicitly requires some form of powering down sections of the application circuits.

The maximum power entries in Table 8-1 determine the class the PD must advertise. The PSE may disconnect a PD if it draws more than its stated class power, which may be the hardware class or a DLL-derived power level. The standard permits the PD to draw limited current peaks that increase the instantaneous power above the Table 8-1 limit; however, the average power requirement always applies.

The TPS23731 implements one- to two-event classification. R_{CLS} resistor value defines the class of the PD. DLL communication is implemented by the Ethernet communication system in the PD and is not implemented by the TPS23731.

The TPS23731 disables classification above V_{CU_OFF} to avoid excessive power dissipation. CLS voltage is turned off during PD thermal limiting or when APD or DEN is active. The CLS output is inherently current-limited, but should not be shorted to V_{SS} for long periods of time.

Figure 8-8 shows how classification works for the TPS23731. Transition from state-to-state occurs when comparator thresholds are crossed (see Figure 8-5 and Figure 8-6). These comparators have hysteresis, which adds inherent memory to the machine. Operation begins at idle (unpowered by PSE) and proceeds with increasing voltage from left to right. A 2-event classification follows the (heavy lined) path towards the bottom, ending up with a low T2P along the lower branch that is highlighted. Once the valid path to the PSE detection is broken, the input voltage must transition below the mark reset threshold to start anew.

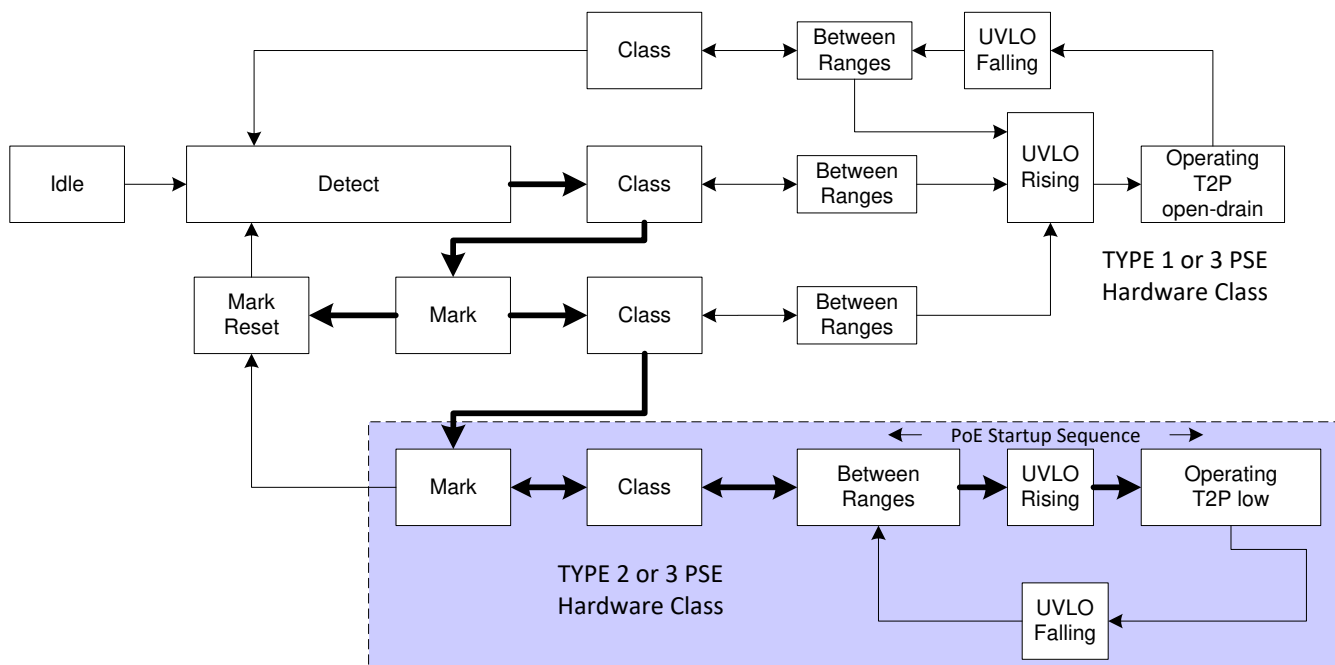


Figure 8-8. Up to Two-Event Class Internal States

8.4.6 Maintain Power Signature (MPS)

The MPS is an electrical signature presented by the PD to assure the PSE that it is still present after operating voltage is applied. For a Type 1 or Type 2 PD, a valid MPS consists of a minimum dc current of 10 mA, or a 10-mA pulsed current for at least 75 ms every 325 ms, and an AC impedance lower than 26.3 k Ω in parallel with

0.05 μF . Only Type 1 and Type 2 PSEs monitor the AC MPS. A Type 1 or Type 2 PSE that monitors only the AC MPS may remove power from the PD.

To enable applications with stringent standby requirements, IEEE802.3bt introduced a significant change regarding the minimum pulsed current duration to assure the PSE will maintain power. This applies to all Type 3 and Type 4 PSEs, and the pulse duration is $\sim 10\%$ of what is required for Type 1 and 2 PSEs. The MPS current amplitude requirement for Class 5-8 PDs have also increased to 16 mA at the PSE end of the ethernet cable.

If the current through the RTN-to-VSS path is very low, the TPS23731 automatically generates the MPS pulsed current through the VSS pin, with an amplitude adjusted such that its net current reaches a level high enough to maintain PSE power. The TPS23731 is also able to determine if the PSE is of Type 1-2 or Type 3-4, automatically adjusting the pulsed current amplitude, duration and duty-cycle, while minimizing power consumption. Note that the IEEE802.3bt requirement for the PD is applicable at the PSE end of the cable. That means that depending the cable length and other parameters including the bulk capacitance, a longer pulse duration may be required to ensure a valid MPS. For that purpose, the TPS23731 provides auto-stretch capability which is used to cancel the impact of such system conditions on the effective pulsed current duration. See [Figure 8-4](#).

When APD is pulled high or when DEN is pulled to VSS (forcing the hotswap switch off), the DC MPS will not be met. A PSE that monitors the DC MPS will remove power from the PD when this occurs.

8.4.7 Advanced Start-Up and Converter Operation

The internal PoE undervoltage lockout (UVLO) circuit holds the hotswap switch off before the PSE provides full voltage to the PD. This prevents the converter circuits from loading the PoE input during detection and classification. The converter circuits discharges C_{BULK} , C_{VCC} , C_{VB} and C_{VBG} while the PD is unpowered. Thus $V_{\text{VDD-RTN}}$ will be a small voltage until just after full voltage is applied to the PD, as seen in [Figure 8-7](#).

The PSE drives the PI voltage to the operating range once it has decided to power up the PD. When V_{VDD} rises above the UVLO turnon threshold ($V_{\text{UVLO-R}}$, approximately 37.6 V) with RTN high, the TPS23731 enables the hotswap MOSFET with an approximately 140-mA (inrush) current limit. See the waveforms of [Figure 8-9](#) for an example. Converter switching is disabled while C_{BULK} charges and V_{RTN} falls from V_{VDD} to nearly V_{VSS} ; however, the converter start-up circuit is allowed to charge C_{VCC} (the VB regulator also powers the internal converter circuits as V_{VCC} rises). Once the inrush current falls about 10% below the inrush current limit, the PD current limit switches to the operational level (approximately 925 mA). Additionally, once the inrush period duration has also exceeded approximately 84 ms (end of inrush phase), the converter switching is allowed to start, once V_{VCC} also goes above its UVLO (approximately 8.25 V).

Continuing the start-up sequence shown in [Figure 8-9](#), once V_{VCC} goes above its UVLO, the soft-start (SST) capacitor is first discharged with controlled current (I_{SSD}) below nominally 0.2 V (V_{SFST}) if the discharge was not already completed, then it is gradually recharged until it reaches ~ 0.25 V (V_{SSOFS} in closed-loop mode) at which point the converter switching is enabled, following the closed loop controlled soft-start sequence. Note that the startup current source capability is such that it can fully maintain V_{VCC} during the converter soft-start without requiring any significant C_{VCC} capacitance, in 48 V input applications. At the end of the soft-start period, more specifically when SST voltage has exceeded ~ 2 V (V_{STUOF}), the startup current source is turned off. V_{VCC} falls as it powers the internal circuits including the switching MOSFET gate. If the converter control-bias output rises to support V_{VCC} before it falls to $V_{\text{CUVLO-F}}$ (~ 6.1 V), a successful start-up occurs. [Figure 8-9](#) shows a small droop in V_{VCC} while the output voltage rises smoothly and a successful start-up occurs.

[Figure 8-10](#) also illustrates similar scenario if optocoupler feedback is used instead of PSR. In this case, the converter switching is enabled when V_{SST} exceeds approximately 0.6 V (V_{SSOFS} in peak current mode).

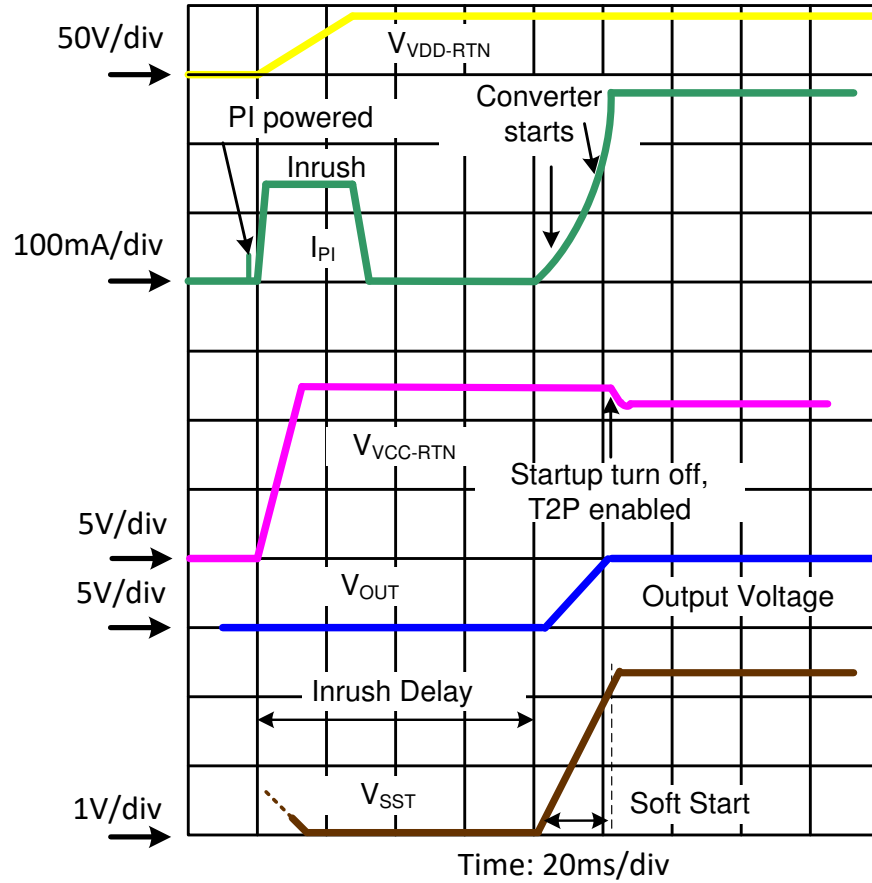


Figure 8-9. Power Up and Start - Flyback with PSR

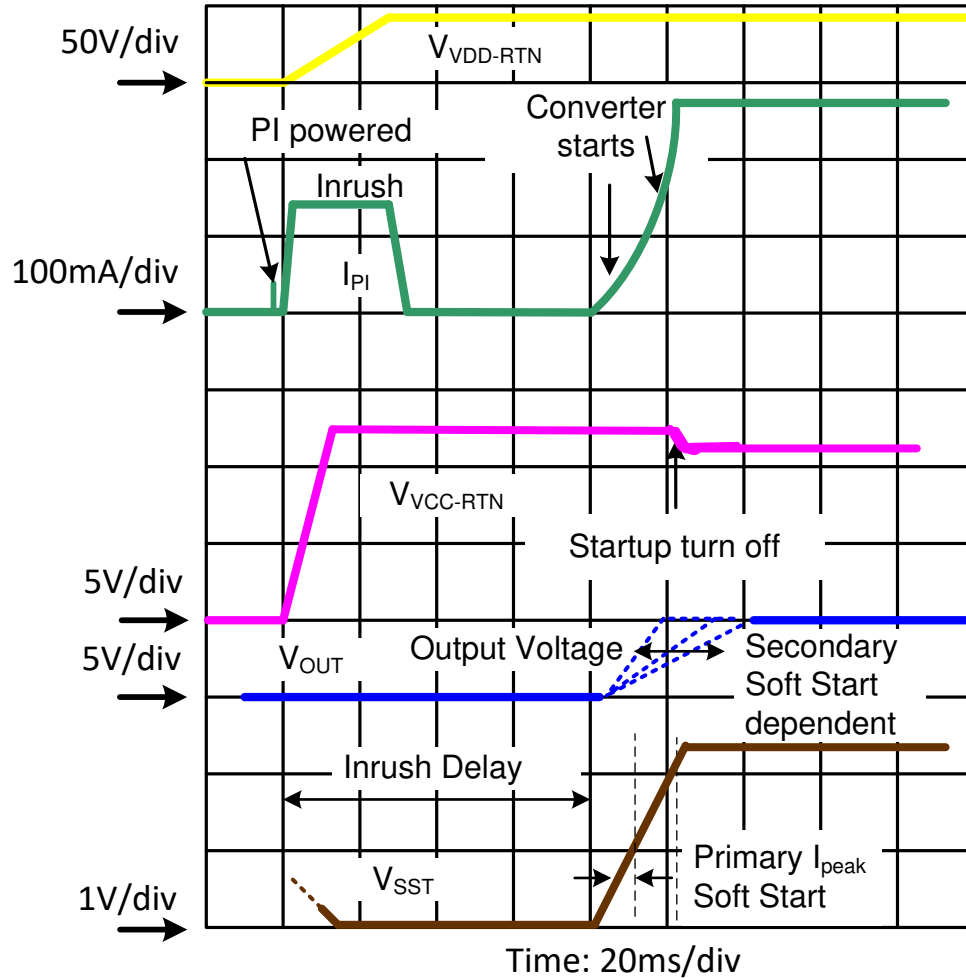


Figure 8-10. Power Up and Start - with Opto Feedback

The converter shuts off when V_{VCC} falls below its lower UVLO. This can happen when power is removed from the PD, or during a fault on a converter output rail. When one output is shorted, all the output voltages fall including the one that powers VCC. The control circuit discharges VCC until it hits the lower UVLO and turns off. A restart initiates if the converter turns off and there is sufficient VDD voltage. This type of operation is sometimes referred to as *hiccup mode*, which when combined with the soft-start provides robust output short protection by providing time-average heating reduction of the output rectifier.

Figure 8-11 illustrates the situation when there is severe overload at the main output which causes VCC hiccup. After VCC went below its UVLO due to the overload, the startup source is turned back on. Then, a new soft-start cycle is reinitiated, the soft-start capacitor being first discharged with controlled current, introducing a short pause before the output voltage is ramped up.

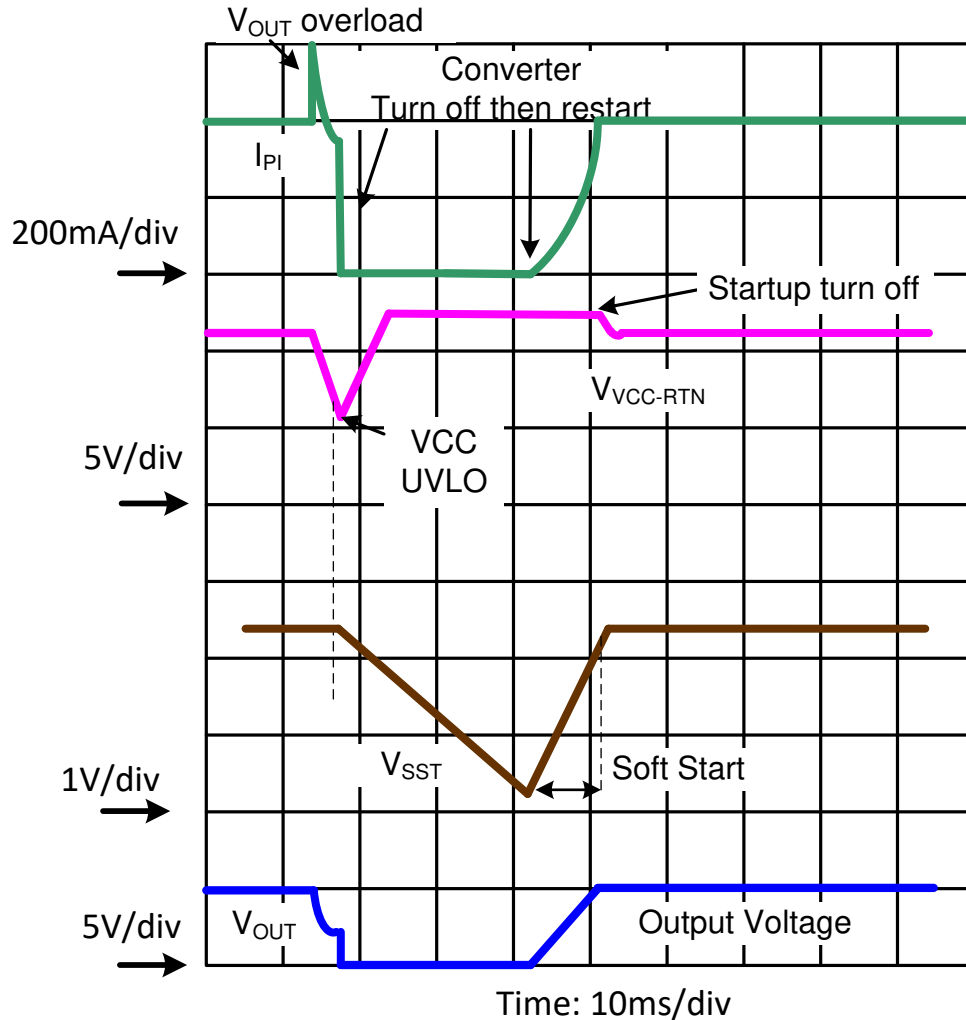


Figure 8-11. Restart Following Severe Overload at Main Output of PSR Flyback DC-DC Converter

Also, when a VCC fall occurs, the TPS23731 can differentiate between an overload and a light load condition. For example a diode-rectified flyback with optocoupled feedback may have its VCC rail to fall in situation of light load due to temporary switching stop. In this case, the output voltage has to be maintained and a soft-start would not be acceptable. To address this case, if V_{VCC} falls below approximately 7.1 V due to light load, the TPS23731 turns back on the startup immediately and for a short period of time to bring VCC voltage back up, and there is no soft-start recycling.

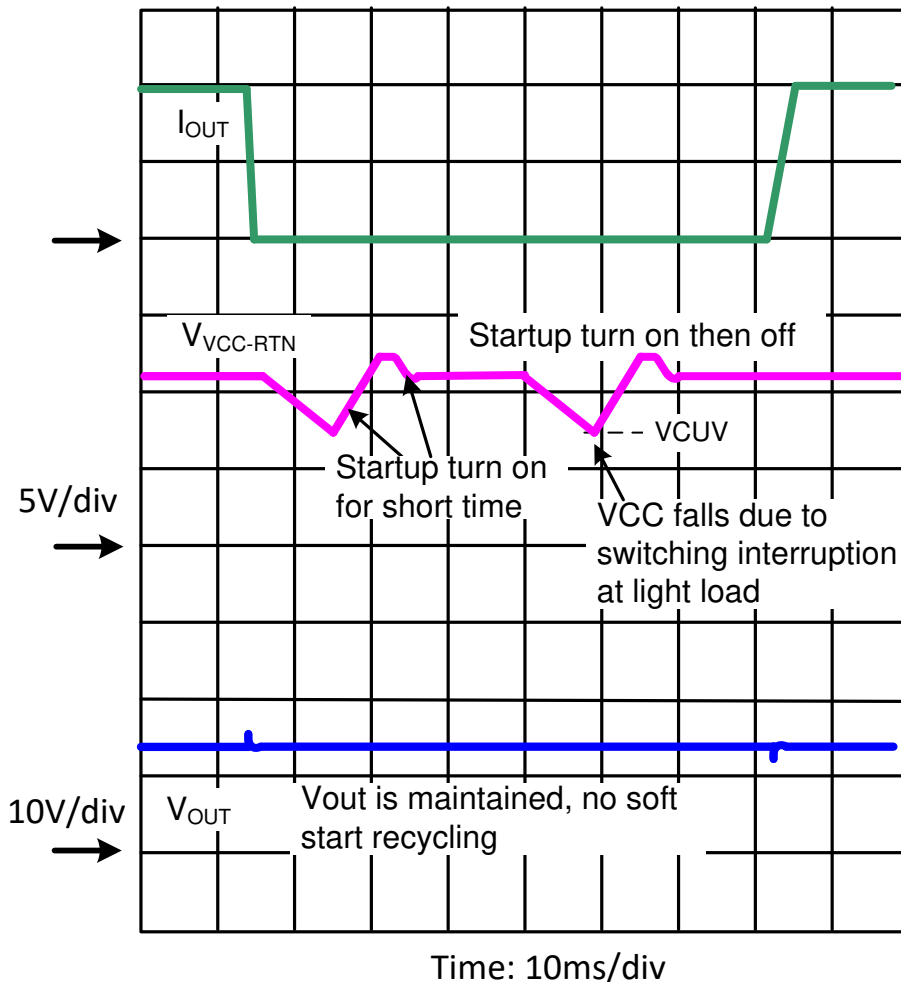


Figure 8-12. Startup Operation if VCC Undervoltage is caused by Light Load Condition of Diode-rectified Flyback DC-DC Converter

If $V_{VDD-VSS}$ drops below the lower PoE UVLO (V_{UVLO_F} , approximately 32 V), the hotswap MOSFET is turned off, but the converter still runs (unless $LINEUV$ input is pulled low). The converter stops if V_{VCC} falls below the V_{CUVLO_F} (~6.1 V), the hotswap is in inrush current limit, the SST pin is pulled to ground, or the converter is in thermal shutdown.

8.4.8 Line Undervoltage Protection and Converter Operation

When the input power source is removed, there are circumstances where stress may occur on the power components.

For example, situations where the output voltage capacitor may be able to back drive its secondary-side sync MOSFET after the flyback converter switching has stopped completely, either temporarily or not. Such situation could apply at power down or next soft-start.

To address this case, once the $LINEUV$ voltage falls below V_{LIUVF} , the TPS23731 transitions to soft-stop mode. It turns on temporarily the startup to maintain V_{VCC} , then uses the SST control to ramp down the switching MOSFET peak current. As a result, the converter output is discharged in a controlled way, the energy of the output capacitor being sent back to the input bulk capacitor. Also note that at beginning of soft-stop, the TPS23731 temporarily forces the peak current to a low value (V_{CS} maximum at approximately 50 mV), until SST voltage becomes low enough to decrease it further. This advanced feature allows the soft-stop to immediately start discharging the output capacitor, regardless of the output load level, minimizing any system tradeoffs for optimum switching MOSFETs protection. See [Figure 8-13](#).

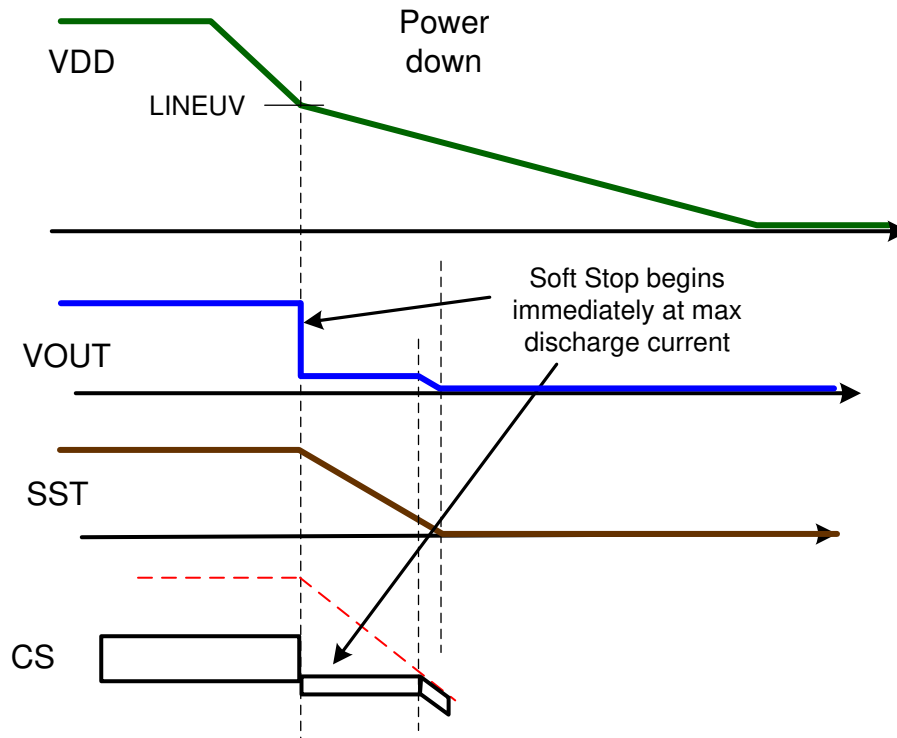


Figure 8-13. Soft-Stop Operation

Once the soft-stop operation has been completed and to avoid subsequent oscillations caused by the impact of the energy transfer on the LINEUV voltage, an internal load (~7 mA) is applied on VDD for approximately 160 ms, before the converter is allowed to restart.

8.4.9 PD Self-Protection

IEEE802.3bt includes new PSE output limiting requirements for Type 3 and 4 operation to cover higher power and 4-pair applications. Type 2, 3 and 4 PSEs must meet an output current vs time template with specified minimum and maximum sourcing boundaries. The peak output current per each 2-pair may be as high as 50 A for 10 μ s or 1.75 A for 75 ms, and the total peak current becomes twice these values when power is delivered over 4 pairs. This makes robust protection of the PD device even more important than it was in IEEE 802.3-2012.

The PD section has the following self-protection functions.

- Hotswap switch current limit
- Hotswap switch foldback
- Hotswap thermal protection

The internal hotswap MOSFET of the TPS23731 is protected against output faults and input voltage steps with a current limit and deglitched foldback. High stress conditions include converter output shorts, shorts from VDD to RTN, or transients on the input line. An overload on the pass MOSFET engages the current limit, with $V_{RTN-VSS}$ rising as a result. If V_{RTN} rises above approximately 14.8 V for longer than approximately 1.8 ms, the current limit reverts to the inrush limit, and turns the converter off, although there is no minimum inrush delay period (84 ms) applicable in this case. The 1.8-ms deglitch feature prevents momentary transients from causing a PD reset, provided that recovery lies within the bounds of the hotswap and PSE protection. Figure 8-14 shows an example of recovery from a 15-V PSE rising voltage step. The hotswap MOSFET goes into current limit, overshooting to a relatively low current, recovers to 925-mA full current limit, and charges the input capacitor while the converter continues to run. The MOSFET did not go into foldback because $V_{RTN-VSS}$ was below 14.8 V after the 1.8-ms deglitch.

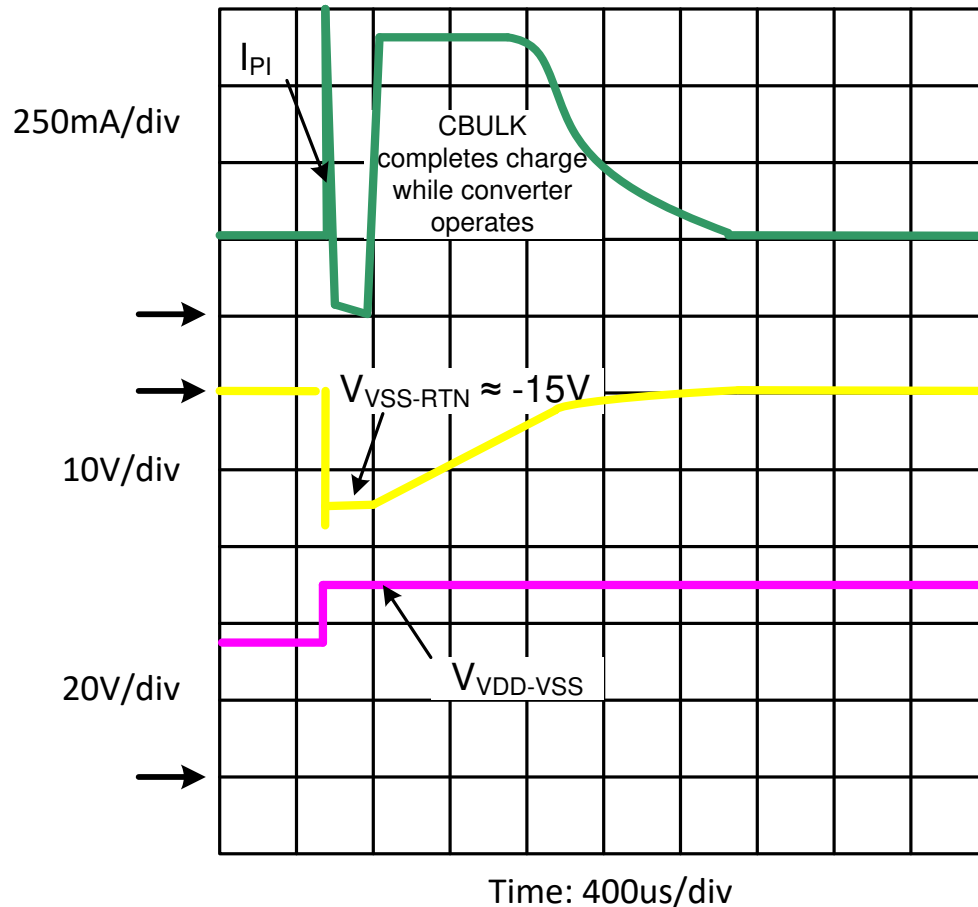


Figure 8-14. Response to PSE Step Voltage

The PD control has a thermal sensor that protects the internal hotswap MOSFET. Conditions like start-up or operation into a VDD to RTN short cause high power dissipation in the MOSFET. An overtemperature shutdown (OTSD) turns off the hotswap MOSFET and class regulator, which are restarted after the device cools. The PD restarts in inrush phase when exiting from a PD overtemperature event.

Pulling DEN to VSS during powered operation causes the internal hotswap MOSFET to turn off. This feature allows a PD with secondary-side adapter ORing to achieve adapter priority. Take care with synchronous converter topologies that can deliver power in both directions.

The hotswap switch is forced off under the following conditions:

- V_{APD} above V_{APDEN} (approximately 1.5 V)
- $V_{DEN} \leq V_{PD_DIS}$ when $V_{VDD-VSS}$ is in the operational range
- PD over temperature
- $V_{VDD-VSS} < \text{PoE UVLO}$ (approximately 32 V)

8.4.10 Thermal Shutdown - DC-DC Controller

The DC-DC controller has an OTSD that can be triggered by heat sources including the VB and VBG regulators, GATE driver, startup current source, and bias currents. The controller OTSD turns off VB, VBG, the GATE driver, and forces the VCC control into an under-voltage state.

8.4.11 Adapter ORing

Many PoE-capable devices are designed to operate from either a wall adapter or PoE power. A local power solution adds cost and complexity, but allows a product to be used if PoE is not available in a particular installation. While most applications only require that the PD operate when both sources are present, the

TPS23731 device supports forced operation from either of the power sources. Figure 8-15 illustrates three options for diode ORing external power into a PD. Only one option would be used in any particular design. Option 1 applies power to the device input, option 2 applies power between the device PoE section and the power circuit, and option 3 applies power to the output side of the converter. Each of these options has advantages and disadvantages. A detailed discussion of the device and ORing solutions is covered in application note *Advanced Adapter ORing Solutions using the TPS23753*, (SLVA306).

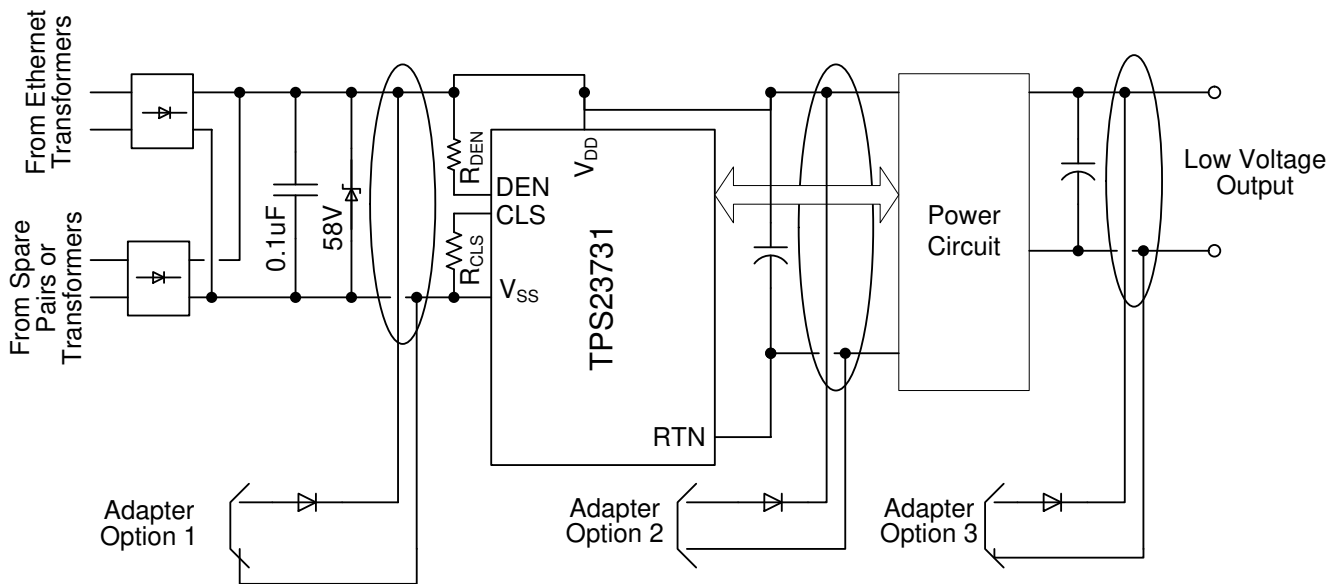


Figure 8-15. ORing Configurations

Preference of one power source presents a number of challenges. Combinations of adapter output voltage (nominal and tolerance), power insertion point, and which source is preferred determine solution complexity. Several factors contributing to the complexity are the natural high-voltage selection of diode ORing (the simplest method of combining sources), the current limit implicit in the PSE, PD inrush, and protection circuits (necessary for operation and reliability). Creating simple and seamless solutions is difficult if not impossible for many of the combinations. However, the TPS23731 device offers several built-in features that simplify some combinations.

Several examples demonstrate the limitations inherent in ORing solutions. Diode ORing a 48-V adapter with PoE (option 1) presents the problem that either source may have the higher voltage. A blocking switch would be required to assure that one source dominates. A second example is combining a 12-V adapter with PoE using option 2. The converter draws approximately four times the current at 12 V from the adapter than it does from PoE at 48 V. Transition from adapter power to PoE may demand more current than can be supplied by the PSE. The converter must be turned off while C_{IN} capacitance charges, with a subsequent converter restart at the higher voltage and lower input current. A third example is use of a 24-V adapter with ORing option 1. The PD hotswap would have to handle two times the current, and have 1/4 the resistance (be 4 times larger) to dissipate equal power.

The most popular preferential ORing scheme is option 2 with adapter priority. The hotswap MOSFET is disabled when the adapter is used to pull APD high, blocking the PoE source from powering the output. This solution works well with a wide range of adapter voltages, is simple, and requires few external parts. When the AC power fails, or the adapter is removed, the hotswap switch is enabled. In the simplest implementation, the PD momentarily loses power until the PSE completes its start-up cycle.

The DEN pin can be used to disable the PoE input when ORing with option 3. This is an adapter priority implementation. Pulling DEN low, while creating an invalid detection signature, disables the hotswap MOSFET, and prevents the PD from redetecting. This would typically be accomplished with an optocoupler that is driven from the secondary side of the converter. Another option 3 alternative which does not require DEN optocoupler is achievable by ensuring that the auxiliary voltage is always higher than the converter output; in this case, the PSE power can then be maintained by use of the auto MPS function of the TPS23731.

The IEEE standards require that the PI conductors be electrically isolated from ground and all other system potentials not part of the PI interface. The adapter must meet a minimum 1500-Vac dielectric withstand test between the output and all other connections for options 1 and 2. The adapter only needs this isolation for option 3 if it is not provided by the converter.

Adapter ORing diodes are shown for all the options to protect against a reverse-voltage adapter, a short on the adapter input pins, and damage to a low-voltage adapter. ORing is sometimes accomplished with a MOSFET in option 3.

9 Application and Implementation

Note

Information in the following applications sections is not part of the TI component specification, and TI does not warrant its accuracy or completeness. TI's customers are responsible for determining suitability of components for their purposes, as well as validating and testing their design implementation to confirm system functionality.

9.1 Application Information

The TPS23731 supports power supply topologies that require a single PWM gate drive with current-mode control. Figure 9-1 provides an example of a synchronous FET rectified primary-side-regulated flyback converter.

9.2 Typical Application

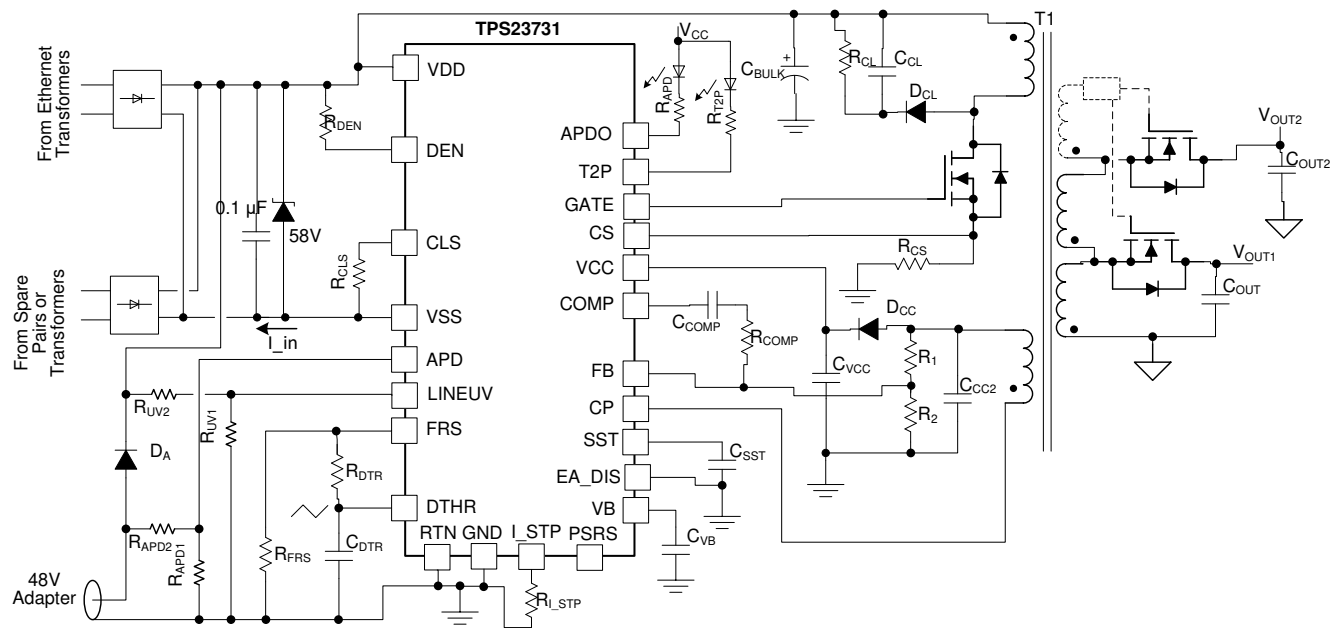


Figure 9-1. Basic TPS23731 Implementation

9.2.1 Design Requirements

Selecting a converter topology along with a converter design procedure is beyond the scope of this application section.

The TPS23731 has the flexibility to be used in high power density flyback topologies such as primary side regulation synchronous or non-synchronous flyback.

Examples to help in programming the TPS23731 and additional design consideration are shown in [Detailed Design Procedure](#). For a more specific converter design example, refer to the EVM that is designed for the design parameters in [Table 9-1](#).

Table 9-1. Design Parameters

PARAMETER	TEST CONDITIONS	MIN	TYPICAL	MAX	UNIT
Input voltage	Power applied through PoE or adapter	0		57	V
Operating voltage	After startup	30		57	V
Adapter voltage		40		57	V
Input UVLO	Rising input voltage at device terminals	—		40	V
	Falling input voltage	30.5		—	
Detection voltage	At device terminals	1.4		10.1	V
Classification voltage	At device terminals	11.9		23	V
Class 4	Class signature A	38		42	mA
DCDC Topology	Primary Side Regulated Synch Flyback				
Output Voltage			5		V
Output Current			5		A
End-to-End Efficiency	At full load		89		%
Switching Frequency			250		kHz

9.2.1.1 Detailed Design Procedure

9.2.1.1.1 Input Bridges and Schottky Diodes

Using Schottky diodes instead of PN junction diodes for the PoE input bridges will reduce the power loss by about 30%. These are often used to maximize the efficiency when FET bridge architectures are not used.

Schottky diode leakage current and different input bridge architectures can impact the detection signature. Setting reasonable expectations for the temperature range over which the detection signature is accurate is the simplest solution. Adjusting R_{DEN} slightly may also help meet the requirement.

A general recommendation for the input rectifiers are 2 A, 100-V rated discrete or bridge schottky diodes.

The allows the option of either a discrete schottky bridge or a FET-Diode bridge for 1-2% higher overall system efficiency.

9.2.1.1.2 Input TVS Protection

A TVS, across the rectified PoE voltage must be used. TI recommends a SMAJ58A, or a part with equal to or better performance, for general indoor applications. If an adapter is connected from V_{DD} to RTN, as in ORing option 2 above, voltage transients caused by the input cable inductance ringing with the internal PD capacitance can occur. Adequate capacitive filtering or a TVS must limit this voltage to be within the absolute maximum ratings. Outdoor transient levels or special applications require additional protection.

ESD events between the PD power inputs and converter output, cause large stresses in the hotswap MOSFET if the input TVS becomes reverse biased and transient current around the TPS23731 is blocked. A SMAJ58A is a good initial selection between RTN (cathode) and VSS (anode).

9.2.1.1.3 Input Bypass Capacitor

The IEEE 802.3bt standard specifies an input bypass capacitor (from V_{DD} to V_{SS}) of 0.05 μ F to 0.12 μ F. Typically a 0.1- μ F, 100-V, 10% ceramic capacitor is used.

9.2.1.1.4 Detection Resistor, R_{DEN}

The IEEE 802.3bt standard specifies a detection signature resistance, R_{DEN} from 23.7 k Ω to 26.3 k Ω , or 25 k Ω \pm 5%. Choose an R_{DEN} of 25.5 k Ω .

9.2.1.1.5 Classification Resistor, R_{CLS}

Connect a resistor from to V_{SS} to program the classification current according to the IEEE 802.3bt standard. The class power assigned should correspond to the maximum average power drawn by the PD during operation. Select R_{CLSx} according to [Table 8-1](#).

9.2.1.1.6 APD Pin Divider Network, R_{APD1} , R_{APD2}

The APD pin can be used to disable the TPS23731 device internal hotswap MOSFET giving the adapter source priority over the PoE source. An example calculation is provided, see [SLVA306](#).

9.2.1.1.7 Setting Frequency (R_{FRS}) and Synchronization

The converter switching frequency is set by connecting R_{FRS} from the FRS pin to AGND.

As an example:

1. Optimal switching frequency (f_{SW}) for isolated PoE applications is 250 kHz.
2. Compute R_{FRS} per [Equation 2](#).
3. Select 60.4 k Ω .

The TPS23731 device may be synchronized to an external clock to eliminate beat frequencies from a sampled system, or to place emission spectrum away from an RF input frequency. Synchronization may be accomplished by applying a short pulse (T_{SYNC}) of magnitude V_{SYNC} to FRS as shown in [Figure 8-3](#). R_{FRS} should be chosen so that the maximum free-running frequency is just below the desired synchronization frequency. The synchronization pulse terminates the potential on-time period, and the off-time period does not begin until the pulse terminates. The pulse at the FRS pin should reach between 2.5 V and V_B , with a minimum width of 25 ns (above 2.5 V) and rise and fall times less than 10 ns. The FRS node should be protected from noise because it is high-impedance. An R_T on the order of 100 Ω in the isolated example reduces noise sensitivity and jitter.

9.2.1.1.8 Bias Supply Requirements and C_{VCC}

Advanced startup in the TPS23731 allows for relatively low capacitance on the bias circuit. It is recommended to use a 1- μ F 10% 25-V ceramic capacitor on C_{VCC} .

9.2.1.1.9 APDO, T2P Interface

The APDO, T2P pins are active low, open-drain outputs which give an indication about the PSE allocated power. Optocouplers can interface these pins to circuitry on the secondary side of the converter. A high-gain optocoupler and a high-impedance (for example, CMOS) receiver are recommended. Please see the as an example circuit. Below is an example design calculation.

1. Let $V_{CC} = 12\text{-V}$, $V_{OUT} = 5\text{-V}$, $R_{TPX-OUT} = 10\text{-k}\Omega$, $V_{TPX-OUT}(\text{low}) = 400\text{-mV}$ maximum.
 - a. $I_{TPX-OUT} = 0.46\text{ mA}$.
2. The optocoupler CTR will be needed to determine . A device with a minimum CTR of 300% at 5-mA LED bias current is selected. CTR will also vary with temperature and LED bias current. The strong variation of CTR with diode current makes this a problem that requires some iteration using the CTR versus I_{DIODE} curve on the optocoupler data sheet.
 - a. The approximate forward voltage of the optocoupler diode is 1.1 V from the data sheet.
 - b. $I_{TPX-MIN} = 1\text{ mA}$ and $R_{TPX} = 10.6\text{ k}\Omega$.
3. Select 10.7-k Ω resistor.

9.2.1.1.10 Output Voltage Feedback Divider, R_{AUX} , R_1 , R_2

R_1 , R_2 and set the output voltage of the bias winding of the converter.

$$V_{VCC} = \frac{V_{REFC} (R_1 + R_2)}{R_2} \quad (8)$$

9.2.1.1.11 Frequency Dithering for Conducted Emissions Control

For optimum EMI performance, C_{DTR} and R_{DTR} should be calculated as described in [DTHR and Frequency Dithering for Spread Spectrum Applications](#).

These equations yield $C_{DTR} = 2.2$ nF and $R_{DTR} = 235$ k Ω where a 237-k Ω standard resistor can be used.

10 Power Supply Recommendations

The TPS23731 converter must be designed such that the input voltage of the converter is capable of operating within the IEEE 802.3 protocol at the recommended input voltage as shown in [Table 8-3](#) and the minimum operating voltage of the adapter if applicable.

11 Layout

11.1 Layout Guidelines

The layout of the PoE front end should follow power and EMI/ESD best practice guidelines. A basic set of recommendations include:

- Parts placement must be driven by power flow in a point-to-point manner; RJ-45, Ethernet transformer, diode bridges, TVS and 0.1- μ F capacitor, and TPS23731.
- All leads should be as short as possible with wide power traces and paired signal and return.
- There should not be any crossovers of signals from one part of the flow to another.
- Spacing consistent with safety standards like IEC60950 must be observed between the 48-V input voltage rails and between the input and an isolated converter output.
- The TPS23731 should be located over split, local ground planes referenced to VSS for the PoE input and to RTN for the switched output.
- Large copper fills and traces should be used on SMT power-dissipating devices, and wide traces or overlay copper fills should be used in the power path.
- It is recommended having at least 8 vias (PAD_G) and 5 vias on (PAD_S) connecting the exposed thermal pad through a top layer plane (2 oz. copper recommended) to a bottom VSS plane (2 oz. copper recommended) to help with thermal dissipation.

11.2 Layout Example

A detailed PCB layout can be found in the user's guide of the TPS23731EVM-095 that show the top and bottom layer and assemblies as a reference for optimum parts placement.

11.3 EMI Containment

- Use compact loops for dv/dt and di/dt circuit paths (power loops and gate drives).
- Use minimal, yet thermally adequate, copper areas for heat sinking of components tied to switching nodes (minimize exposed radiating surface).
- Use copper ground planes (possible stitching) and top layer copper floods (surround circuitry with ground floods).
- Use 4 layer PCB if economically feasible (for better grounding).
- Minimize the amount of copper area associated with input traces (to minimize radiated pickup).
- Use Bob Smith terminations, Bob Smith EFT capacitor, and Bob Smith plane.
- Use Bob Smith plane as ground shield on input side of PCB (creating a phantom or literal earth ground).
- Use of ferrite beads on input (allow for possible use of beads or 0- Ω resistors).
- Maintain physical separation between input-related circuitry and power circuitry (use ferrite beads as boundary line).
- Possible use of common-mode inductors.
- Possible use of integrated RJ-45 jacks (shielded with internal transformer and Bob Smith terminations).
- End-product enclosure considerations (shielding).

11.4 Thermal Considerations and OTSD

Sources of nearby local PCB heating should be considered during the thermal design. Typical calculations assume that the TPS23731 is the only heat source contributing to the PCB temperature rise. It is possible for a normally operating TPS23731 device to experience an OTSD event if it is excessively heated by a nearby device.

11.5 ESD

ESD requirements for a unit that incorporates the TPS23731 have a much broader scope and operational implications than are used in TI's testing. Unit-level requirements should not be confused with reference design testing that only validates the ruggedness of the TPS23731.

12 Device and Documentation Support

12.1 Documentation Support

12.1.1 Related Documentation

For related documentation, see the following:

- *IEEE Standard for Information Technology ... Part 3: Carrier sense multiple access with collision detection (CSMA/CD) access method and physical layer specifications*, IEEE Computer Society, IEEE 802.3™ at (Clause 33)
- *Information technology equipment – Radio disturbance characteristics – Limits and methods of measurement*, International Electrotechnical Commission, CISPR 22 Edition 5.2, 2006-03
- *Advanced Adapter ORing Solutions using the TPS23753*, Eric Wright, TI, [SLVA306](#)
- *Practical Guidelines to Designing an EMI-Compliant PoE Powered Device With Isolated Flyback*, Donald V. Comiskey, TI, [SLUA469](#)

12.2 Support Resources

[TI E2E™ support forums](#) are an engineer's go-to source for fast, verified answers and design help — straight from the experts. Search existing answers or ask your own question to get the quick design help you need.

Linked content is provided "AS IS" by the respective contributors. They do not constitute TI specifications and do not necessarily reflect TI's views; see TI's [Terms of Use](#).

12.3 Trademarks

TI E2E™ is a trademark of Texas Instruments.

All trademarks are the property of their respective owners.

12.4 Electrostatic Discharge Caution



This integrated circuit can be damaged by ESD. Texas Instruments recommends that all integrated circuits be handled with appropriate precautions. Failure to observe proper handling and installation procedures can cause damage.

ESD damage can range from subtle performance degradation to complete device failure. Precision integrated circuits may be more susceptible to damage because very small parametric changes could cause the device not to meet its published specifications.

12.5 Glossary

[TI Glossary](#) This glossary lists and explains terms, acronyms, and definitions.

13 Mechanical, Packaging, and Orderable Information

The following pages include mechanical, packaging, and orderable information. This information is the most current data available for the designated devices. This data is subject to change without notice and revision of this document. For browser-based versions of this data sheet, refer to the left-hand navigation.

PACKAGING INFORMATION

Orderable Device	Status (1)	Package Type	Package Drawing	Pins	Package Qty	Eco Plan (2)	Lead finish/ Ball material (6)	MSL Peak Temp (3)	Op Temp (°C)	Device Marking (4/5)	Samples
TPS23731RMTR	ACTIVE	VQFN	RMT	45	3000	RoHS & Green	NIPDAU	Level-3-260C-168 HR	-40 to 125	TPS23731 DB0 WA1	Samples

(1) The marketing status values are defined as follows:

ACTIVE: Product device recommended for new designs.

LIFEBUY: TI has announced that the device will be discontinued, and a lifetime-buy period is in effect.

NRND: Not recommended for new designs. Device is in production to support existing customers, but TI does not recommend using this part in a new design.

PREVIEW: Device has been announced but is not in production. Samples may or may not be available.

OBSELETE: TI has discontinued the production of the device.

(2) **RoHS:** TI defines "RoHS" to mean semiconductor products that are compliant with the current EU RoHS requirements for all 10 RoHS substances, including the requirement that RoHS substance do not exceed 0.1% by weight in homogeneous materials. Where designed to be soldered at high temperatures, "RoHS" products are suitable for use in specified lead-free processes. TI may reference these types of products as "Pb-Free".

RoHS Exempt: TI defines "RoHS Exempt" to mean products that contain lead but are compliant with EU RoHS pursuant to a specific EU RoHS exemption.

Green: TI defines "Green" to mean the content of Chlorine (Cl) and Bromine (Br) based flame retardants meet JS709B low halogen requirements of <=100ppm threshold. Antimony trioxide based flame retardants must also meet the <=1000ppm threshold requirement.

(3) MSL, Peak Temp. - The Moisture Sensitivity Level rating according to the JEDEC industry standard classifications, and peak solder temperature.

(4) There may be additional marking, which relates to the logo, the lot trace code information, or the environmental category on the device.

(5) Multiple Device Markings will be inside parentheses. Only one Device Marking contained in parentheses and separated by a "~" will appear on a device. If a line is indented then it is a continuation of the previous line and the two combined represent the entire Device Marking for that device.

(6) Lead finish/Ball material - Orderable Devices may have multiple material finish options. Finish options are separated by a vertical ruled line. Lead finish/Ball material values may wrap to two lines if the finish value exceeds the maximum column width.

Important Information and Disclaimer:The information provided on this page represents TI's knowledge and belief as of the date that it is provided. TI bases its knowledge and belief on information provided by third parties, and makes no representation or warranty as to the accuracy of such information. Efforts are underway to better integrate information from third parties. TI has taken and continues to take reasonable steps to provide representative and accurate information but may not have conducted destructive testing or chemical analysis on incoming materials and chemicals. TI and TI suppliers consider certain information to be proprietary, and thus CAS numbers and other limited information may not be available for release.

In no event shall TI's liability arising out of such information exceed the total purchase price of the TI part(s) at issue in this document sold by TI to Customer on an annual basis.

TAPE AND REEL INFORMATION



QUADRANT ASSIGNMENTS FOR PIN 1 ORIENTATION IN TAPE



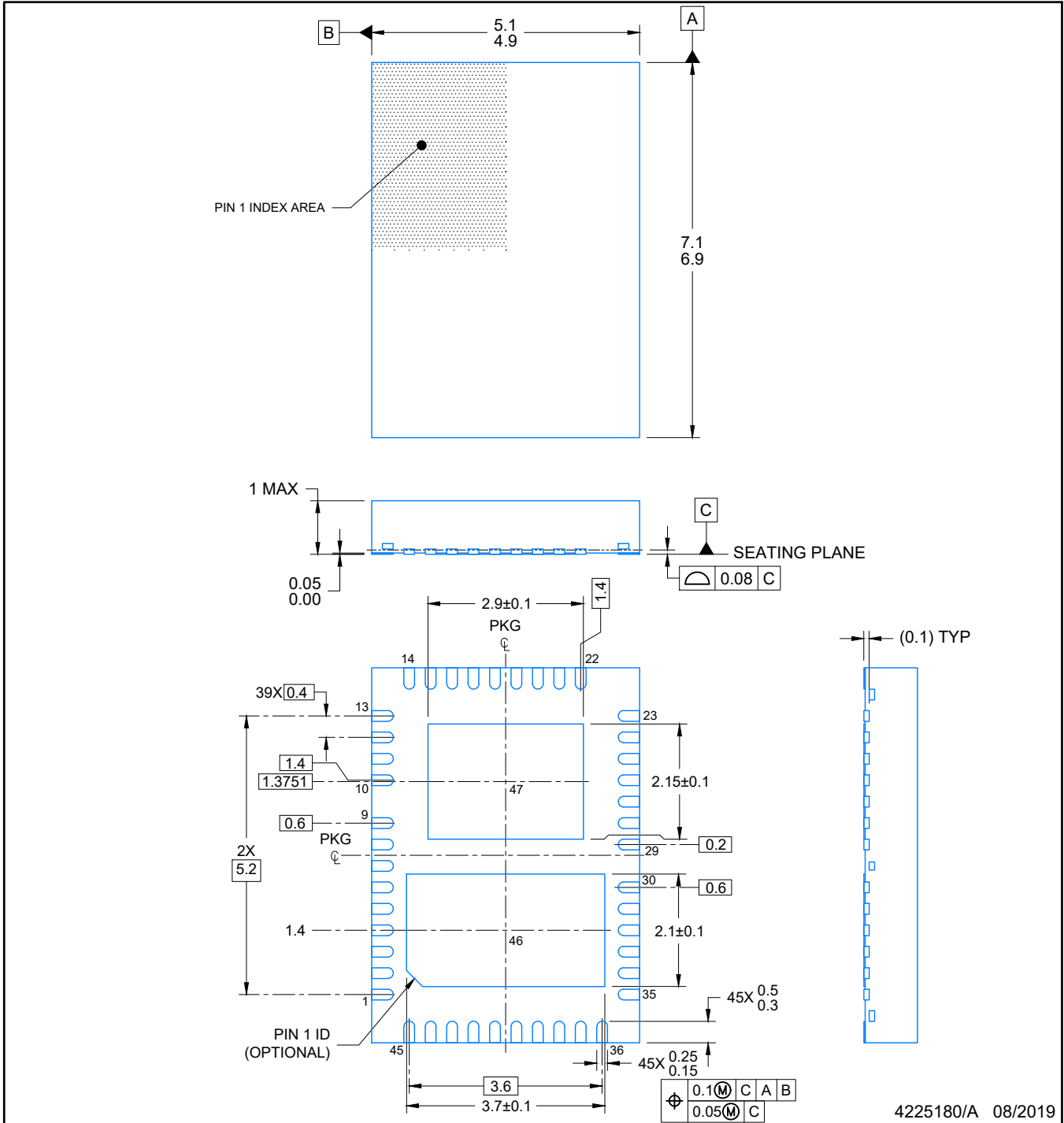
*All dimensions are nominal

Device	Package Type	Package Drawing	Pins	SPQ	Reel Diameter (mm)	Reel Width W1 (mm)	A0 (mm)	B0 (mm)	K0 (mm)	P1 (mm)	W (mm)	Pin1 Quadrant
TPS23731RMTR	VQFN	RMT	45	3000	330.0	16.4	5.25	7.25	1.45	8.0	16.0	Q1

TAPE AND REEL BOX DIMENSIONS


*All dimensions are nominal

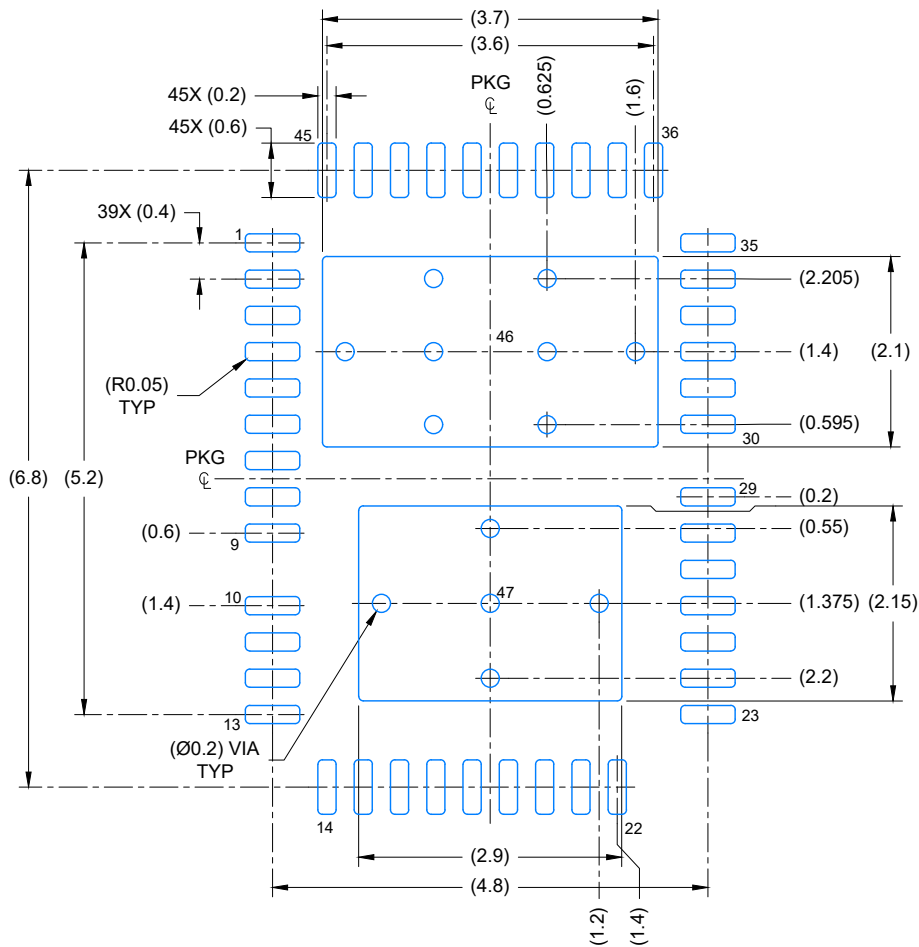
Device	Package Type	Package Drawing	Pins	SPQ	Length (mm)	Width (mm)	Height (mm)
TPS23731RMTR	VQFN	RMT	45	3000	367.0	367.0	35.0



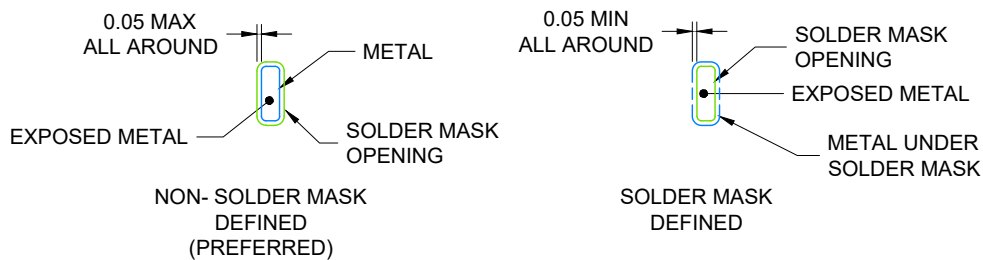
4225180/A 08/2019

NOTES:

1. All linear dimensions are in millimeters. Any dimensions in parenthesis are for reference only. Dimensioning and tolerancing per ASME Y14.5M.
2. This drawing is subject to change without notice.
3. The package thermal pad must be soldered to the printed circuit board for optimal thermal and mechanical performance.



LAND PATTERN EXAMPLE
EXPOSED METAL SHOWN
SCALE: 12X



SOLDER MASK DETAILS

4225180/A 08/2019

NOTES: (continued)

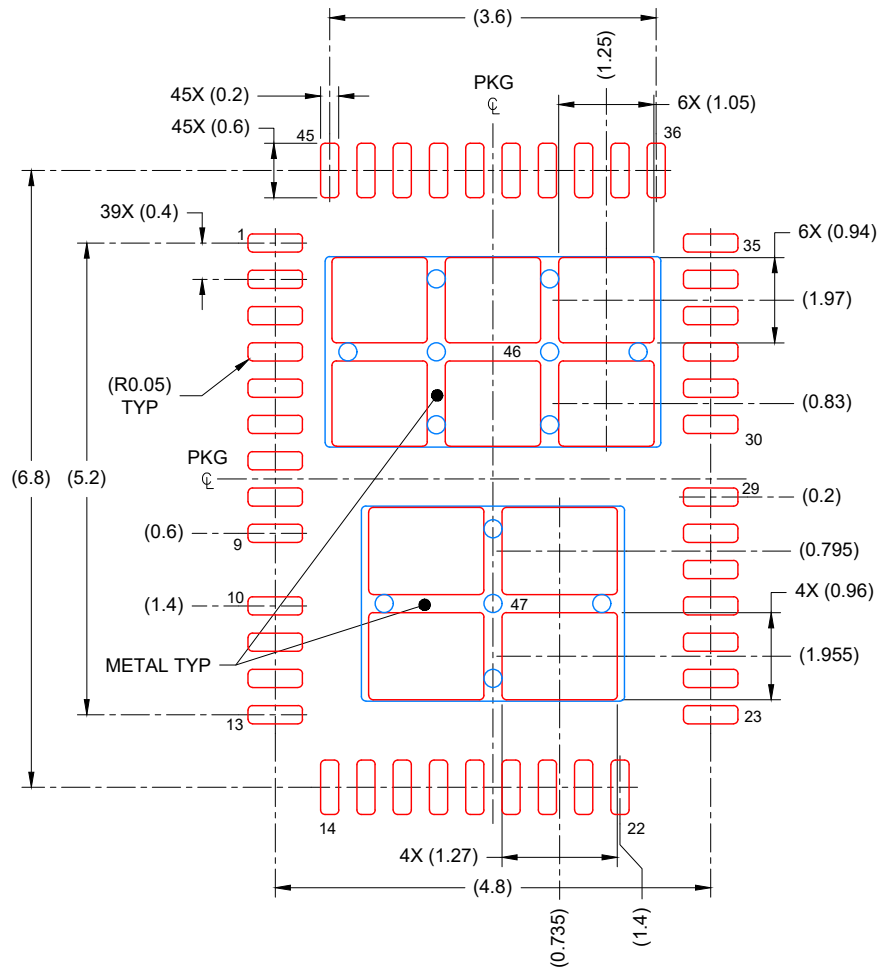
4. This package is designed to be soldered to a thermal pad on the board. For more information, see Texas Instruments literature number SLUA271 (www.ti.com/lit/sluea271).
5. Vias are optional depending on application, refer to device data sheet. If any vias are implemented, refer to their locations shown on this view. It is recommended that vias under paste be filled, plugged or tented.

EXAMPLE STENCIL DESIGN

RMT0045A

VQFN - 1 mm max height

PLASTIC QUAD FLATPACK-NO LEAD



SOLDER PASTE EXAMPLE
BASED ON 0.125 mm THICK STENCIL

PAD 46: 76%; PAD 47: 78%
SCALE: 12X

4225180/A 08/2019

NOTES: (continued)

6. Laser cutting apertures with trapezoidal walls and rounded corners may offer better paste release. IPC-7525 may have alternate design recommendations.

IMPORTANT NOTICE AND DISCLAIMER

TI PROVIDES TECHNICAL AND RELIABILITY DATA (INCLUDING DATA SHEETS), DESIGN RESOURCES (INCLUDING REFERENCE DESIGNS), APPLICATION OR OTHER DESIGN ADVICE, WEB TOOLS, SAFETY INFORMATION, AND OTHER RESOURCES "AS IS" AND WITH ALL FAULTS, AND DISCLAIMS ALL WARRANTIES, EXPRESS AND IMPLIED, INCLUDING WITHOUT LIMITATION ANY IMPLIED WARRANTIES OF MERCHANTABILITY, FITNESS FOR A PARTICULAR PURPOSE OR NON-INFRINGEMENT OF THIRD PARTY INTELLECTUAL PROPERTY RIGHTS.

These resources are intended for skilled developers designing with TI products. You are solely responsible for (1) selecting the appropriate TI products for your application, (2) designing, validating and testing your application, and (3) ensuring your application meets applicable standards, and any other safety, security, regulatory or other requirements.

These resources are subject to change without notice. TI grants you permission to use these resources only for development of an application that uses the TI products described in the resource. Other reproduction and display of these resources is prohibited. No license is granted to any other TI intellectual property right or to any third party intellectual property right. TI disclaims responsibility for, and you will fully indemnify TI and its representatives against, any claims, damages, costs, losses, and liabilities arising out of your use of these resources.

TI's products are provided subject to [TI's Terms of Sale](#) or other applicable terms available either on ti.com or provided in conjunction with such TI products. TI's provision of these resources does not expand or otherwise alter TI's applicable warranties or warranty disclaimers for TI products.

TI objects to and rejects any additional or different terms you may have proposed.

Mailing Address: Texas Instruments, Post Office Box 655303, Dallas, Texas 75265
Copyright © 2022, Texas Instruments Incorporated