

# ***Transient Response versus Ripple – An Analysis of Ripple Injection Techniques Used in Hysteretic Controllers***

Dilip Mohol, Gitesh Bhagwat, Akshat Garg

SVA Power - SPD

## **ABSTRACT**

In this application note we highlight the implications of ripple injection techniques, aimed at minimizing output ripple voltage, on the transient response of a supply. The results help choose a suitable ripple injection technique after striking a balance between the output ripple voltage and the transient response required by the load.

## **Contents**

1	Introduction .....	2
2	Hysteretic Controllers .....	2
	2.1 Constant On Time Control Scheme .....	2
	2.2 Ripple Injection Techniques .....	3
3	Test Results .....	6
	3.1 Impact of Ripple Injection Techniques on the Transient Response of the System .....	6
	3.2 Case 1 : Resistance in Series with the Output Capacitor (ESR of output cap):.....	6
	3.3 Case 2 : Feedforward Capacitor Connected Across Feedback Resistor.....	9
	3.4 Case 3: Inductor Current Ripple Injection.....	12
4	Conclusion .....	14
5	References .....	14

## **List of Figures**

1	Hysteretic Control Scheme .....	2
2	Constant on Time (COT) scheme .....	3
3	Increasing Output Capacitor ESR to Increase the Feedback Ripple .....	3
4	Bypassing the Output Ripple Directly to the Feedback Pin - Reducing the Output Ripple .....	4
5	Ripple Injection Using the Inductor Current Ripple.....	4
6	Summary of the Different Ripple Injection Techniques .....	5
7	Output Ripple (3-A Load Current) = 525 mV .....	6
8	Load Transition (3 A to 1 A) – Overshoot = 650 mV .....	7
9	Load Transition (1 A to 3 A) – Undershoot = 420 mV .....	7
10	Settling Time (Falling Current) = 32 $\mu$ s .....	8
11	Settling Time (Rising Current) = 45 $\mu$ s.....	8
12	Ripple Voltage (3-A Load) = 78 mV .....	9
13	Load Transition (3 A to 1 A) – Overshoot = 112 mV .....	9
14	Load Transition (1 A to 3 A) – Undershoot = 111 mV.....	10
15	Settling Time (Falling Current) = 46 $\mu$ s.....	10
16	Settling Time (Rising Current) = 47 $\mu$ s .....	11
17	Ripple Voltage (3-A Load Current) = 30 mV.....	12
18	Load Current Rising (3 A to 1 A) – Overshoot = 320 mV .....	12
19	Falling Current (1 A to 3 A) – Undershoot = 320 mV.....	13
20	Settling time (Falling Edge): 102 $\mu$ s .....	13

## 1 Introduction

Power supply applications that expect ultra-fast transient response along with lower ripple are growing today. So, there is an eminent need to use supplies that offer very fast transient responses, at the same time maintaining the required output voltage ripple. Hysteretic-based feedback in the design of a Buck switch mode supply is popular among customers especially for its simple control scheme. Many modifications have been done by various IC manufactures in the hysteretic control scheme, for example, the Constant On Time (COT) scheme used by TI.

Many techniques aim at injecting ripple in the feedback loop while minimizing the same in the final output voltage as delivered to the load with a good degree of success.

However, this does adversely affect the transient response of the supply, an aspect often neglected by amateur power supply designers.

## 2 Hysteretic Controllers

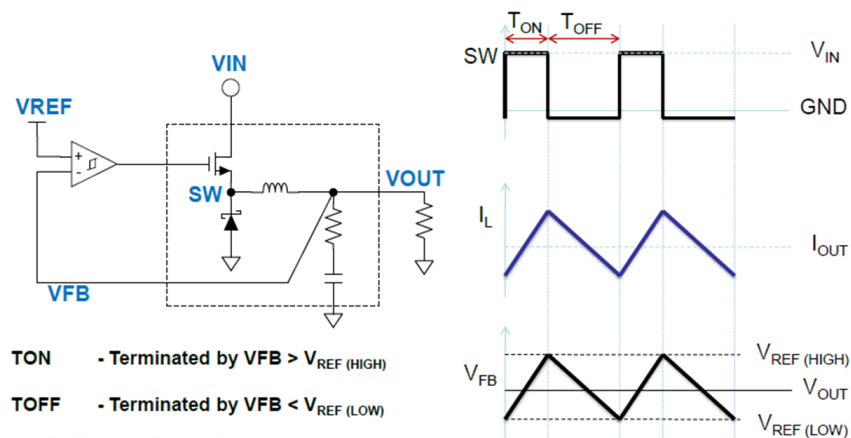
Of all the voltage regulator control strategies ever devised, the hysteretic regulator is probably the simplest. This control methodology simply turns a switch on when the output voltage is below the lower reference and turns the switch off when the output rises to a slightly higher reference. The output ripple is, therefore, a direct function of the difference between the upper and lower reference threshold, that is, the hysteresis amplitude.

In [Figure 1](#), the switch is turned on when the feedback voltage falls below the lower threshold and is turned off when the feedback voltage crosses the upper threshold.

This is a simple hysteretic control scheme which only uses the variation or ripple on the output voltage for control. This results in variable frequency operation which is undesirable because of variable frequency of radiated noise resulting in difficult filter design.

### 2.1 Constant On Time Control Scheme

A solution to this is the COT control scheme.



**Figure 1. Hysteretic Control Scheme**

In the COT scheme, as the name suggests, the ON time of the switch is made fixed (set by an external resistor). Only the off time is determined by when the feedback voltage falls below the lower threshold.

The ON time is given as:

$$T_{ON} = \frac{K \times R_{ON}}{V_{IN}} \tag{1}$$

Since this varies as  $1/V_{IN}$ , this ensures fixed frequency operation in CCM operation.

This frequency is given as:

$$FSW = \frac{V_{OUT}}{2(K \times R_{ON})} \tag{2}$$

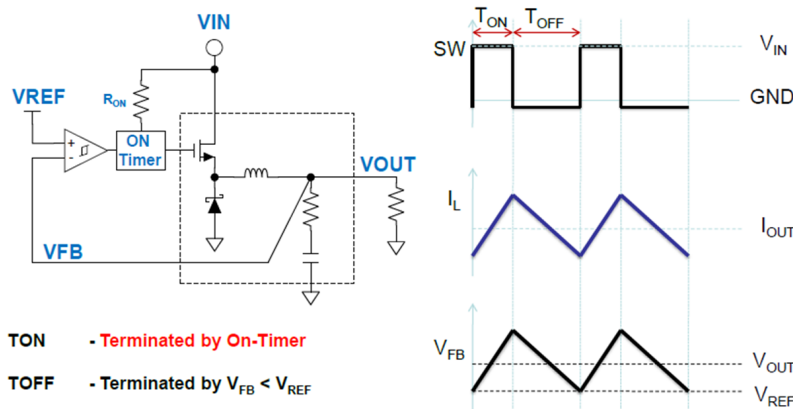


Figure 2. Constant on Time (COT) scheme

COT offers several advantages:

1. Simple design
2. No compensation required
3. Excellent transient response as there is no error amplifier or compensation components in the feedback loop to limit the bandwidth

## 2.2 Ripple Injection Techniques

The major disadvantage with this simple scheme is its dependence on the output ripple voltage. This can be resolved by filtering out the ripple from the output but not the feedback path or generating a ripple from the inductor itself.

A detailed discussion of the different ripple injection techniques that can be used in hysteretic converters follows:

1. Adding a series resistance  $R_c$  with the output capacitor. This, in effect, increases the ESR of the output Capacitor.

Figure 3 shows a circuit with the  $R_c$  connected. Equation 3 is used to calculate the value of  $R_c$ :

$$R_C \text{ min} = \frac{V_{\text{ripple}} \times V_{OUT}}{I_{L \text{ min}} \times V_{REF}} \tag{3}$$

Where  $V_{\text{ripple}}$  is the minimum ripple voltage required on the feedback pin.

This derives from the simple fact that the ripple voltage generated across the  $R_c$  is the inductor ripple current times the resistance value. This gets scaled down by a factor of  $V_{ref}/V_{out}$  due to the feedback resistor divider.

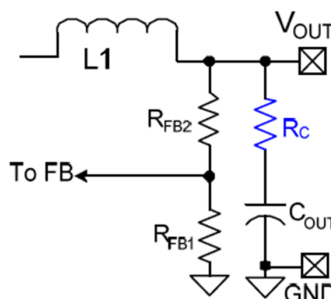
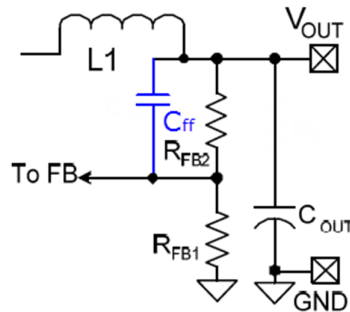


Figure 3. Increasing Output Capacitor ESR to Increase the Feedback Ripple

- Adding a feed forward capacitor across the upper feedback resistor reduces the output ripple by bypassing it directly to the FB pin.

Figure 4 shows a circuit with the C<sub>ff</sub> connected. Use Equation 4 to calculate the values of C<sub>ff</sub>:

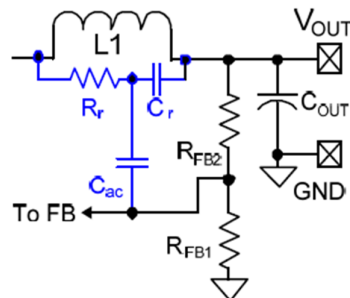
$$C_{ff \text{ min}} = \frac{5}{\left[ F_{sw} \times (R_{FB1} / R_{FB2}) \right]} \quad (4)$$



**Figure 4. Bypassing the Output Ripple Directly to the Feedback Pin - Reducing the Output Ripple**

- Adding an integrator circuit across the inductor.

Figure 5 shows a circuit with the components connected.



**Figure 5. Ripple Injection Using the Inductor Current Ripple**

The R<sub>r</sub> and C<sub>r</sub> form a triangular wave generator that provides desired information to the FB pin. It does this by integrating the voltage across the inductor and coupling the resulting ac signal to the FB pin through capacitor C<sub>ac</sub>.

The calculation of the values of  $R_r$ ,  $C_r$ , and  $C_{ac}$  are understood as:

**Cr:** The impedance of the integrator capacitor should be small compared to the feedback divider impedance at the desired switching frequency. The impedance of the feedback network is the parallel combination of  $R_{fb1} || R_{fb2}$ . The impedance of  $C_r$  at the switching frequency can be taken to be about one tenth of this value.

$$C_r = \frac{5 \times (R_{fb1} + R_{fb2})}{\pi \times (F_{sw} \times R_{fb1} \times R_{fb2})} \tag{5}$$

**Rr:** Since  $V_{IN} - V_{OUT}$  is very large compared to the ripple voltage being produced, think of the resistor  $R_r$  as being a current source. The current is simply  $(V_{IN} - V_{OUT})/R_r$ .

A charging capacitor obeys the following:  $I/C = dV/dt$ . For  $V_{IN}$ , based on the operation frequency and duty cycle, the on time can be calculated, this is the  $dt$ . The  $dV$  term is the minimum required ripple, and  $C_r$  is as calculated previously.

Solving for  $I$  and then equating it to  $(V_{IN} - V_{OUT})/R_r$ , gives the value of  $R_r$ .

$$R_r = \frac{(V_{in} - V_{out})}{C_r \times V_{ripple} \times F_{sw}} \tag{6}$$

**Cac:** The AC coupling cap should be 3 to 4 times larger than the integrator capacitor ( $C_r$ ).

$$C_{ac} = 4 \times C_r$$

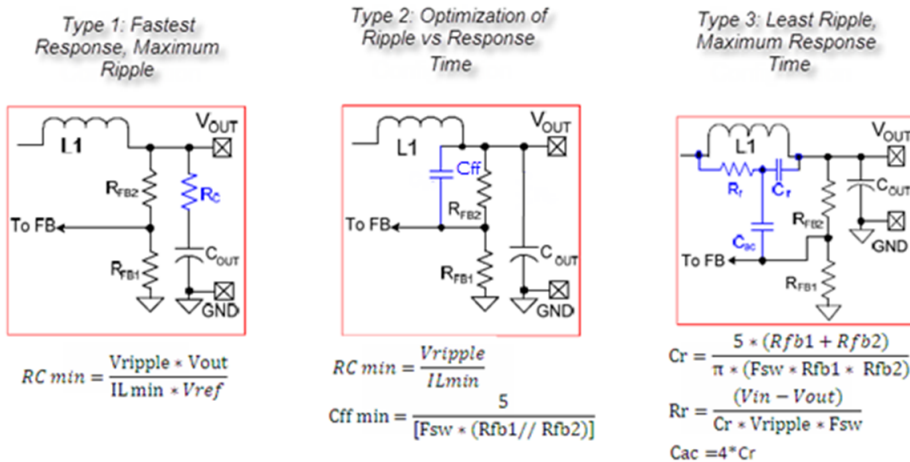


Figure 6. Summary of the Different Ripple Injection Techniques

### 3 Test Results

#### 3.1 Impact of Ripple Injection Techniques on the Transient Response of the System

As we have seen earlier in this document, one of the primary advantages of hysteretic controllers is the excellent transient response as there are no compensation components in the feedback loop to limit the bandwidth.

However, using ripple injection techniques introduces additional reactive components. This helps to reduce the ripple, but has an impact on the transient response of the system.

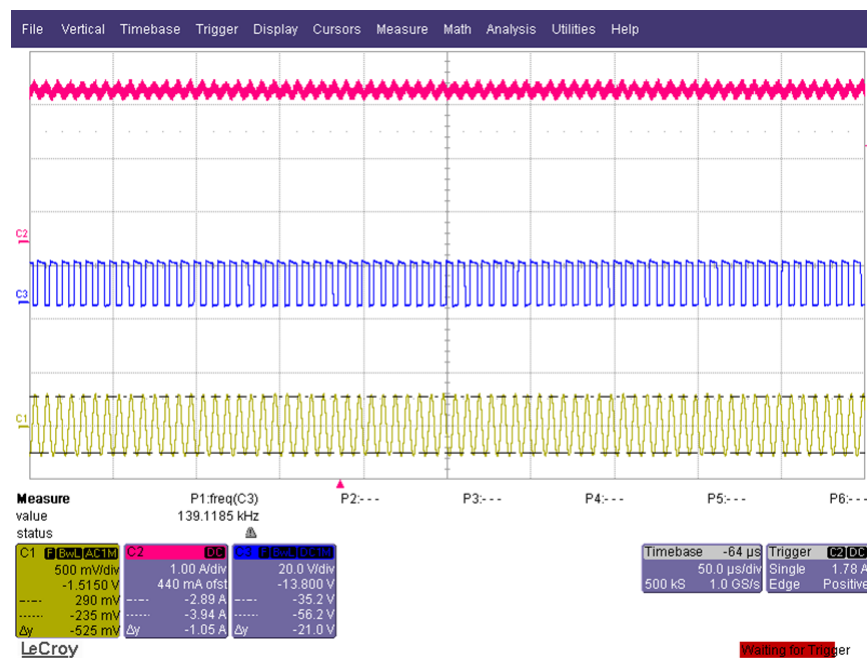
To get a comparative overview, we use a hysteretic controller, LM5085, to measure the response of the same system to the same load changes but with different injection techniques.

Figure 7 to Figure 20 give an idea of the settling time, output ripple, overshoot and undershoot for various ripple injection configurations.

The test parameters used are:

- $V_{IN} = 16\text{ V}$
- $V_{OUT} = 9\text{ V}$
- Load = 3 A to 1 A and 1 A to 3 A

#### 3.2 Case 1 : Resistance in Series with the Output Capacitor (ESR of output cap):

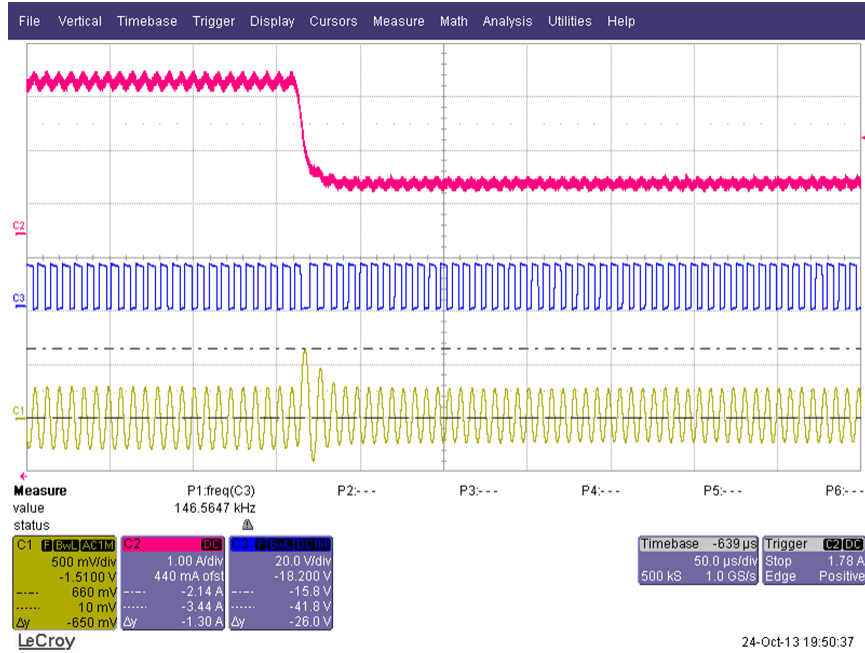


Ch1: Output Ripple

Ch2: Load Current

Ch3: Switch Node

Figure 7. Output Ripple (3-A Load Current) = 525 mV

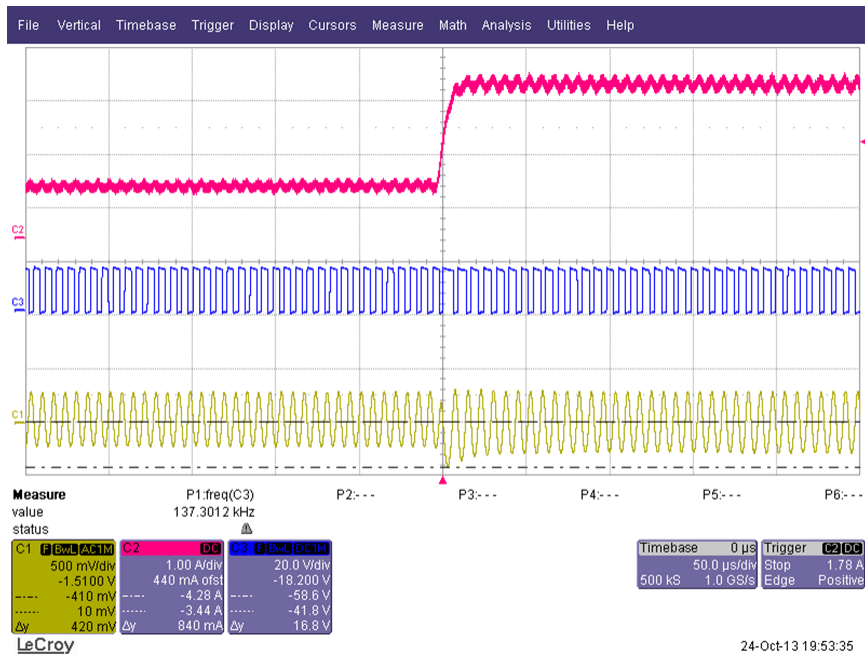


Ch1: Output Ripple

Ch2: Load Current

Ch3: Switch Node

Figure 8. Load Transition (3 A to 1 A) – Overshoot = 650 mV

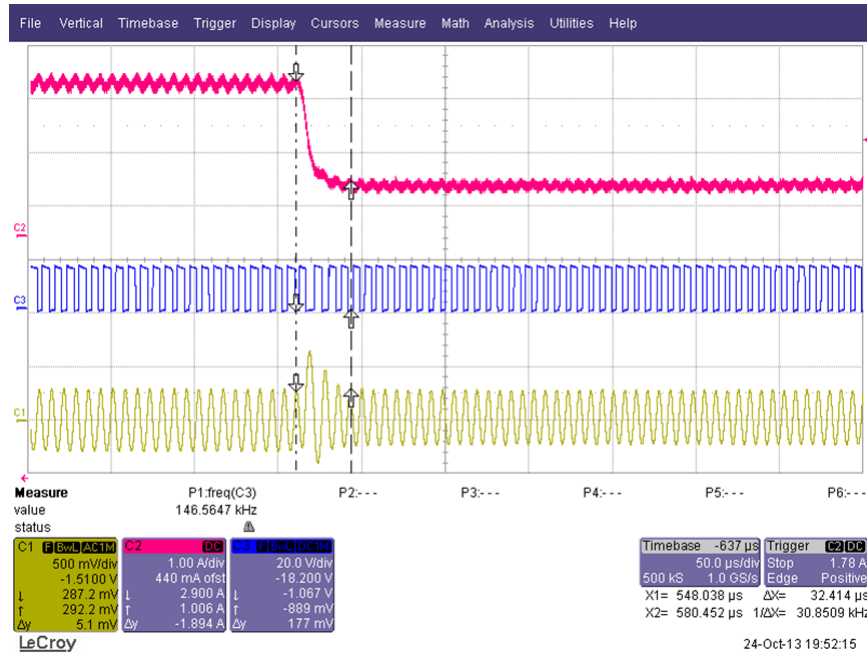


Ch1: Output Ripple

Ch2: Load Current

Ch3: Switch Node

Figure 9. Load Transition (1 A to 3 A) – Undershoot = 420 mV

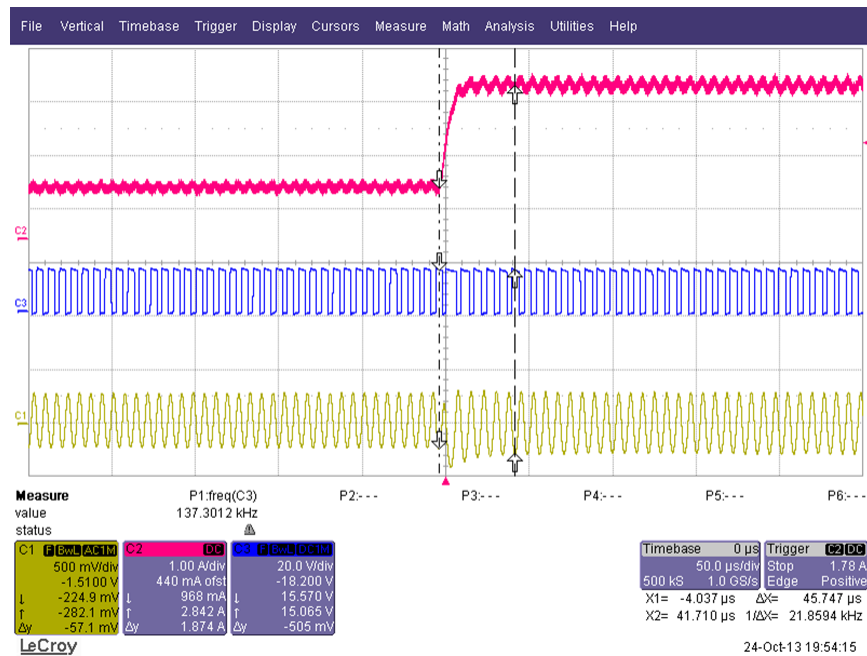


Ch1: Output Ripple

Ch2: Load Current

Ch3: Switch Node

Figure 10. Settling Time (Falling Current) = 32 μs



Ch1: Output Ripple

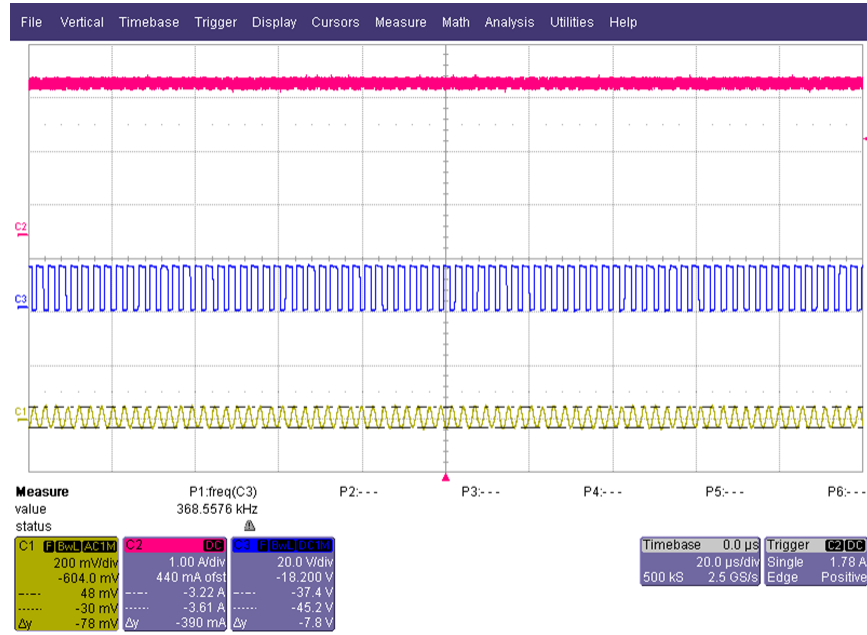
Ch2: Load Current

Ch3: Switch Node

Figure 11. Settling Time (Rising Current) = 45 μs



### 3.3 Case 2 : Feedforward Capacitor Connected Across Feedback Resistor

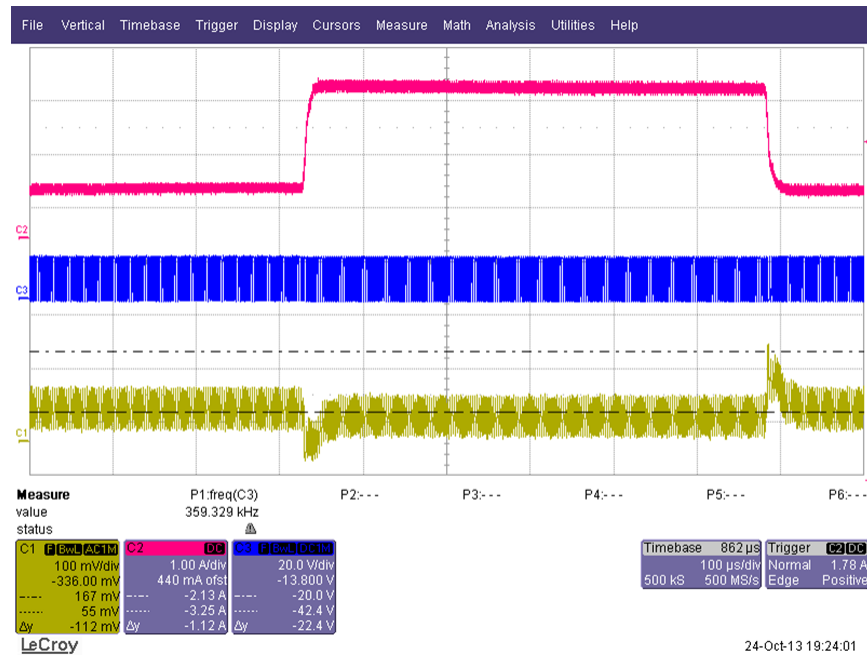


Ch1: Output Ripple

Ch2: Load Current

Ch3: Switch Node

Figure 12. Ripple Voltage (3-A Load) = 78 mV

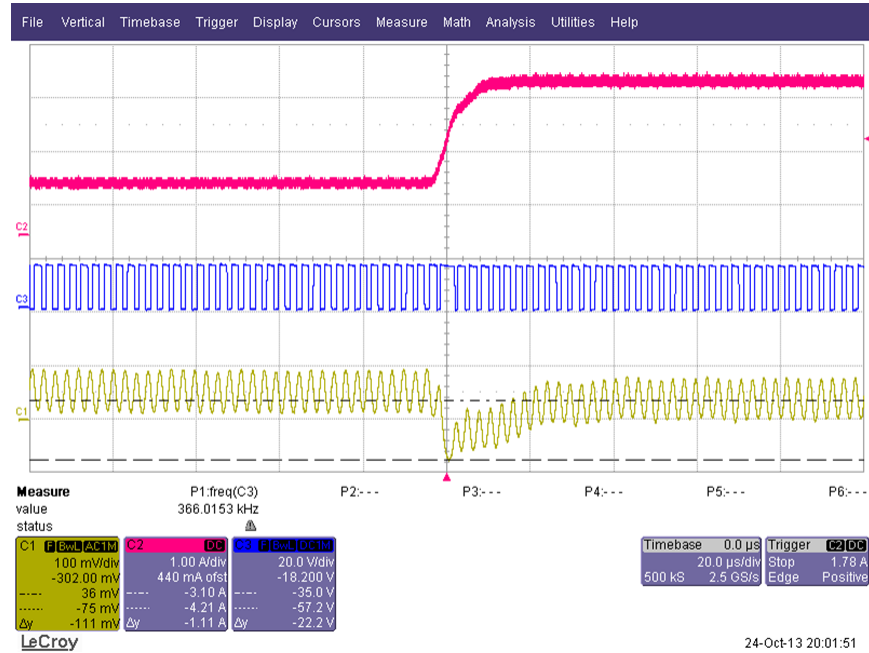


Ch1: Output Ripple

Ch2: Load Current

Ch3: Switch Node

Figure 13. Load Transition (3 A to 1 A) – Overshoot = 112 mV

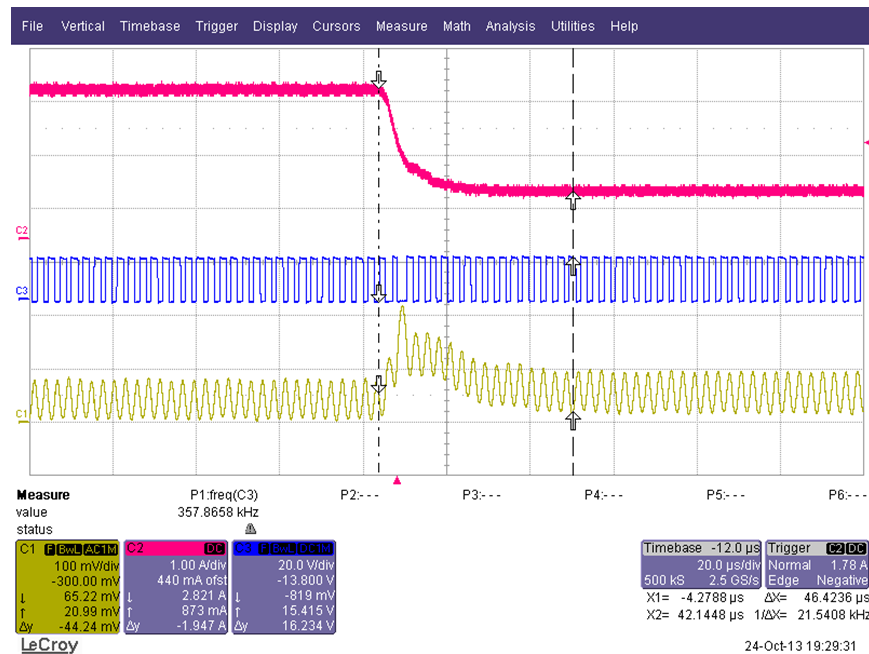


Ch1: Output Ripple

Ch2: Load Current

Ch3: Switch Node

Figure 14. Load Transition (1 A to 3 A) – Undershoot = 111 mV

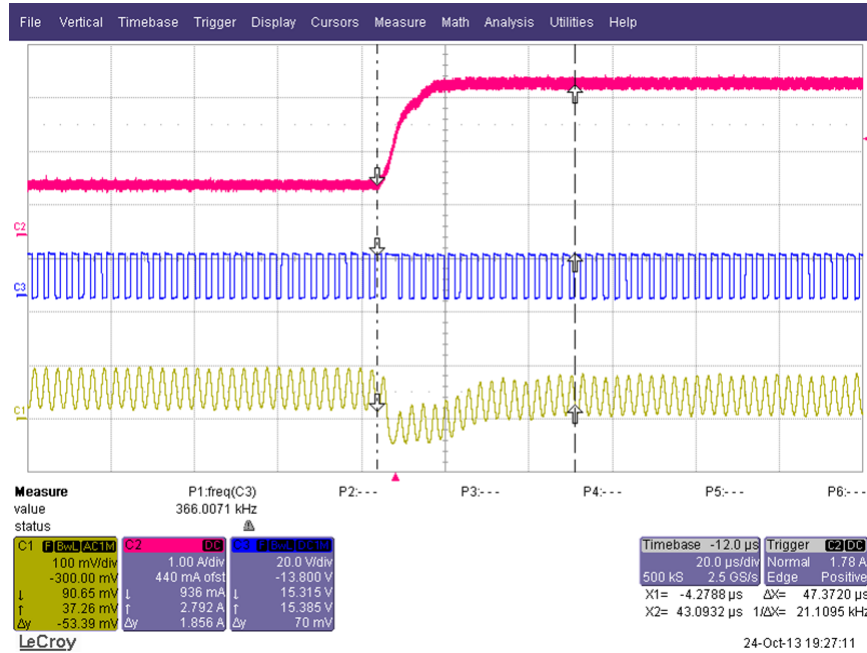


Ch1: Output Ripple

Ch2: Load Current

Ch3: Switch Node

Figure 15. Settling Time (Falling Current) = 46  $\mu$ s



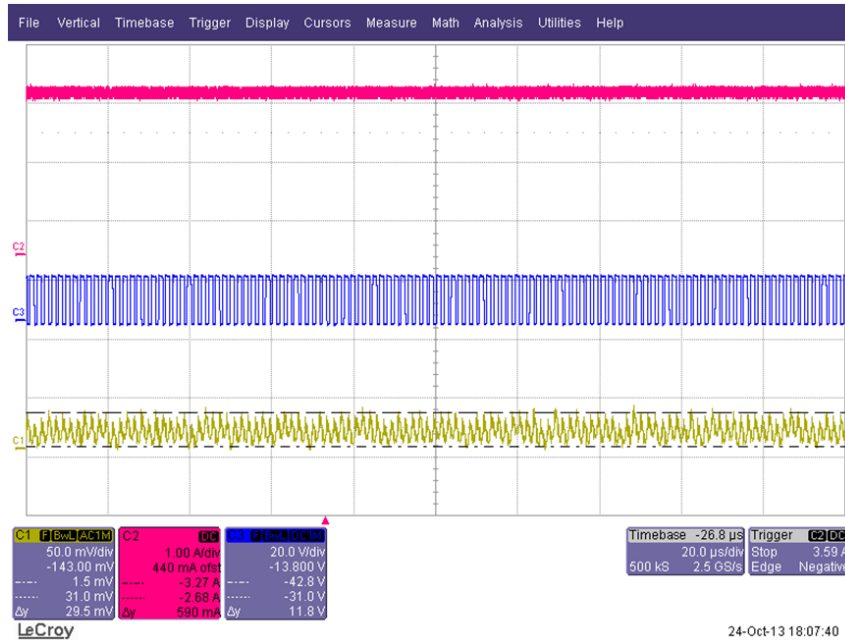
Ch1: Output Ripple

Ch2: Load Current

Ch3: Switch Node

Figure 16. Settling Time (Rising Current) = 47 μs

### 3.4 Case 3: Inductor Current Ripple Injection

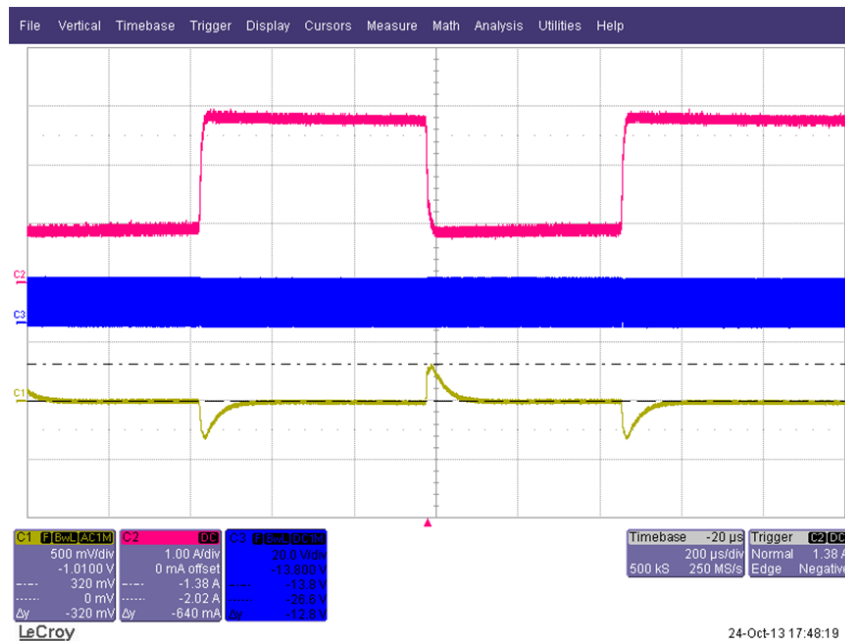


Ch1: Output Ripple

Ch2: Load Current

Ch3: Switch Node

Figure 17. Ripple Voltage (3-A Load Current) = 30 mV

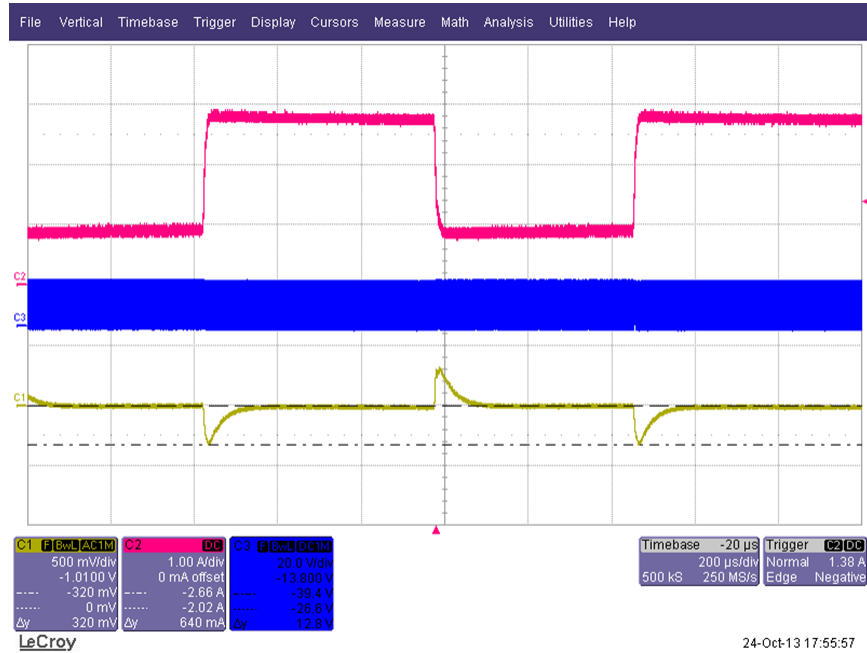


Ch1: Output Ripple

Ch2: Load Current

Ch3: Switch Node

Figure 18. Load Current Rising (3 A to 1 A) – Overshoot = 320 mV

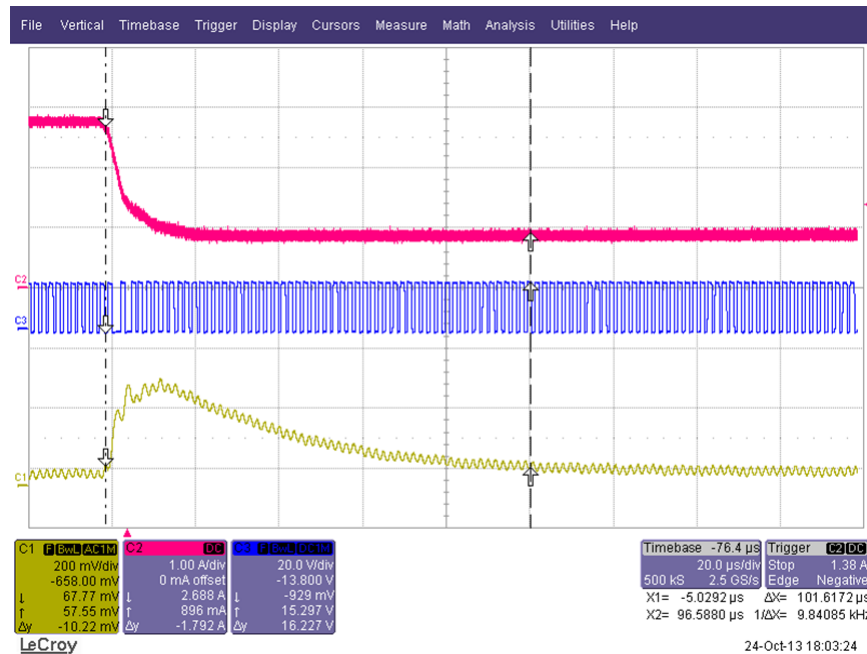


Ch1: Output Ripple

Ch2: Load Current

Ch3: Switch Node

Figure 19. Falling Current (1 A to 3 A) – Undershoot = 320 mV



Ch1: Output Ripple

Ch2: Load Current

Ch3: Switch Node

Figure 20. Settling time (Falling Edge): 102  $\mu$ s

From these test waveforms, we can conclude that the response of the system is fastest with just ESR of the output capacitor. The use of a feed forward capacitor helps to optimize the transient response and ripple. Whereas the inductor current ripple injection technique reduces the output ripple by the largest value but also slows the transient response by the largest value.

## 4 Conclusion

Hysteretic control scheme is one the simplest buck control schemes. However its operation depends on the output ripple. This requirement can be relaxed by introducing different ripple injection techniques aimed at increasing the ripple voltage seen by the feedback pin.

However, these techniques have an impact on the transient response of the system.

From the test results we can conclude that the inductor-current ripple injection technique gives minimum output ripple. But, it also leads to a slow transient response.

Whereas the feed forward Capacitor C<sub>ff</sub> technique strikes a balance between transient response and output ripple voltage.

Adding ESR in series with Output Capacitor results in high Output ripple but fast transient response.

The conclusion is summarized in the below table:

Method	Output Ripple	Transient Response
Increasing ESR of O/P Capacitor.	High	Fast
Bypassing O/P ripple to the FB pin.	Medium	Medium
Inductor Current ripple Injection.	Low	Slow

These findings can be utilized for other COT Hysteretic controllers such as LM25085, LM3485, LM3489, and so forth.

## 5 References

1. LM5085 datasheet ([SNVS565](#))
2. *Controlling Output Ripple & Achiev ESR Indep Constant On-Time Reg Designs* Application Report ([SNVA166](#))

## IMPORTANT NOTICE

Texas Instruments Incorporated and its subsidiaries (TI) reserve the right to make corrections, enhancements, improvements and other changes to its semiconductor products and services per JESD46, latest issue, and to discontinue any product or service per JESD48, latest issue. Buyers should obtain the latest relevant information before placing orders and should verify that such information is current and complete. All semiconductor products (also referred to herein as "components") are sold subject to TI's terms and conditions of sale supplied at the time of order acknowledgment.

TI warrants performance of its components to the specifications applicable at the time of sale, in accordance with the warranty in TI's terms and conditions of sale of semiconductor products. Testing and other quality control techniques are used to the extent TI deems necessary to support this warranty. Except where mandated by applicable law, testing of all parameters of each component is not necessarily performed.

TI assumes no liability for applications assistance or the design of Buyers' products. Buyers are responsible for their products and applications using TI components. To minimize the risks associated with Buyers' products and applications, Buyers should provide adequate design and operating safeguards.

TI does not warrant or represent that any license, either express or implied, is granted under any patent right, copyright, mask work right, or other intellectual property right relating to any combination, machine, or process in which TI components or services are used. Information published by TI regarding third-party products or services does not constitute a license to use such products or services or a warranty or endorsement thereof. Use of such information may require a license from a third party under the patents or other intellectual property of the third party, or a license from TI under the patents or other intellectual property of TI.

Reproduction of significant portions of TI information in TI data books or data sheets is permissible only if reproduction is without alteration and is accompanied by all associated warranties, conditions, limitations, and notices. TI is not responsible or liable for such altered documentation. Information of third parties may be subject to additional restrictions.

Resale of TI components or services with statements different from or beyond the parameters stated by TI for that component or service voids all express and any implied warranties for the associated TI component or service and is an unfair and deceptive business practice. TI is not responsible or liable for any such statements.

Buyer acknowledges and agrees that it is solely responsible for compliance with all legal, regulatory and safety-related requirements concerning its products, and any use of TI components in its applications, notwithstanding any applications-related information or support that may be provided by TI. Buyer represents and agrees that it has all the necessary expertise to create and implement safeguards which anticipate dangerous consequences of failures, monitor failures and their consequences, lessen the likelihood of failures that might cause harm and take appropriate remedial actions. Buyer will fully indemnify TI and its representatives against any damages arising out of the use of any TI components in safety-critical applications.

In some cases, TI components may be promoted specifically to facilitate safety-related applications. With such components, TI's goal is to help enable customers to design and create their own end-product solutions that meet applicable functional safety standards and requirements. Nonetheless, such components are subject to these terms.

No TI components are authorized for use in FDA Class III (or similar life-critical medical equipment) unless authorized officers of the parties have executed a special agreement specifically governing such use.

Only those TI components which TI has specifically designated as military grade or "enhanced plastic" are designed and intended for use in military/aerospace applications or environments. Buyer acknowledges and agrees that any military or aerospace use of TI components which have **not** been so designated is solely at the Buyer's risk, and that Buyer is solely responsible for compliance with all legal and regulatory requirements in connection with such use.

TI has specifically designated certain components as meeting ISO/TS16949 requirements, mainly for automotive use. In any case of use of non-designated products, TI will not be responsible for any failure to meet ISO/TS16949.

### Products

Audio	<a href="http://www.ti.com/audio">www.ti.com/audio</a>
Amplifiers	<a href="http://amplifier.ti.com">amplifier.ti.com</a>
Data Converters	<a href="http://dataconverter.ti.com">dataconverter.ti.com</a>
DLP® Products	<a href="http://www.dlp.com">www.dlp.com</a>
DSP	<a href="http://dsp.ti.com">dsp.ti.com</a>
Clocks and Timers	<a href="http://www.ti.com/clocks">www.ti.com/clocks</a>
Interface	<a href="http://interface.ti.com">interface.ti.com</a>
Logic	<a href="http://logic.ti.com">logic.ti.com</a>
Power Mgmt	<a href="http://power.ti.com">power.ti.com</a>
Microcontrollers	<a href="http://microcontroller.ti.com">microcontroller.ti.com</a>
RFID	<a href="http://www.ti-rfid.com">www.ti-rfid.com</a>
OMAP Applications Processors	<a href="http://www.ti.com/omap">www.ti.com/omap</a>
Wireless Connectivity	<a href="http://www.ti.com/wirelessconnectivity">www.ti.com/wirelessconnectivity</a>

### Applications

Automotive and Transportation	<a href="http://www.ti.com/automotive">www.ti.com/automotive</a>
Communications and Telecom	<a href="http://www.ti.com/communications">www.ti.com/communications</a>
Computers and Peripherals	<a href="http://www.ti.com/computers">www.ti.com/computers</a>
Consumer Electronics	<a href="http://www.ti.com/consumer-apps">www.ti.com/consumer-apps</a>
Energy and Lighting	<a href="http://www.ti.com/energy">www.ti.com/energy</a>
Industrial	<a href="http://www.ti.com/industrial">www.ti.com/industrial</a>
Medical	<a href="http://www.ti.com/medical">www.ti.com/medical</a>
Security	<a href="http://www.ti.com/security">www.ti.com/security</a>
Space, Avionics and Defense	<a href="http://www.ti.com/space-avionics-defense">www.ti.com/space-avionics-defense</a>
Video and Imaging	<a href="http://www.ti.com/video">www.ti.com/video</a>

### TI E2E Community

[e2e.ti.com](http://e2e.ti.com)