

D-CAP2™ Frequency Response Model based on frequency domain analysis of Fixed On-Time with Bottom Detection having Ripple Injection

Author: Toshiyuki (Rick) Zaitso, Sales and Marketing, Power Technologist, TI-Japan

Co-Author: Katsuya Goto, Takahiro Miyazaki, Digital Consumer Products, Junichi Yamamoto, Sales and Marketing, TI-Japan

ABSTRACT

Hysteretic control [2], which is basically non-linear control, has become an important control method due to its fast transient response. Normal hysteretic control requires a relatively high-ESR output capacitor. Adding ripple injection to hysteretic control allows the use of low-ESR ceramic output capacitors [3]-[6]. A “Fixed on-time with bottom detection having a ripple injection” control topology is shown in Figure 1. This topology, which is a type of hysteretic control, became popular due to pseudo fixed PWM frequency operation along with compatibility with low-ESR ceramic output capacitors. It is interesting that this control method behaves like linear control, showing similarity to a frequency response (bode-plot) of voltage mode control while keeping wide loop bandwidth, f_{bw} . The frequency domain analysis of the “fixed on-time with bottom detection having ripple injection” is carried out [1] for the optimal DC-DC converter design based on the assumption of (a) Averaged model is applicable to a “small-signal analysis” for frequencies less than the switching frequency and, (b) injected ripple voltage is small compared to reference voltage. As a result, the comparator with ripple injection shows single zero (1st order lead system) characteristics. The open loop transfer function of the converter is expressed as equation (1). Figure 2 shows the approximated curve of the frequency response (bode-plot) based on equation (1). The phase increases up toward +90 degrees due to the single zero, and is a major contributor for the system stability with wide loop bandwidth. This has advantages compared with conventional linear control such as voltage mode control (Figure 3) or a current mode control (Figure 4). For these linear control types, the phase curve is rolling off below 0 degrees in the high frequency range due to the delay of e^{-sT} of the PWM and error amplifier compensation circuit.

The operation of D-CAP2™ control is similar in concept with this “Fixed On-Time with Bottom Detection having Ripple Injection”. The difference is that the ripple injection circuit is integrated on silicon. Therefore, it is stable.

All trademarks are the property of their respective owners

Contents

- 1 D-CAP2™ open loop transfer function4**
 - 1.1 Block diagram.....4
 - 1.2 $H_{comp}(s)$: The transfer function of comparator with ripple injection.....5
 - 1.3 $H_{FB}(s)$: Feedback divider network.....5
 - 1.4 $G_{dv}(s)$: Plant (Power stage transfer function from Duty to V_o).....6
 - 1.5 Delay factor of fixed on-time.....6
 - 1.6 Bode-plot shape of D-CAP2™6
 - 1.7 Measurement block diagram for bode-plot7
- 2 Experimental data of bode-plot (Frequency response)9**
 - 2.1 TPS54325 (Converter type).....10
 - 2.2 TPS53114 (Controller):.....11
 - 2.3 Phase compensation technique with Feed Forward capacitor (1pole-1zero of $H_{FB}(s)$)12
- References:.....16**
- Appendix A.17**
 - A.1 How to derive the transfer function of hysteretic comparator having ripple injection in the hysteretic control17
 - A.2 When $V_o = 0$ (V_o short)18
 - A.3 When $V_1 = 0$ (V_1 short)18
 - A.4 Transfer function from ΔV_o to ΔD (Small-signal dynamic characteristic analysis)21

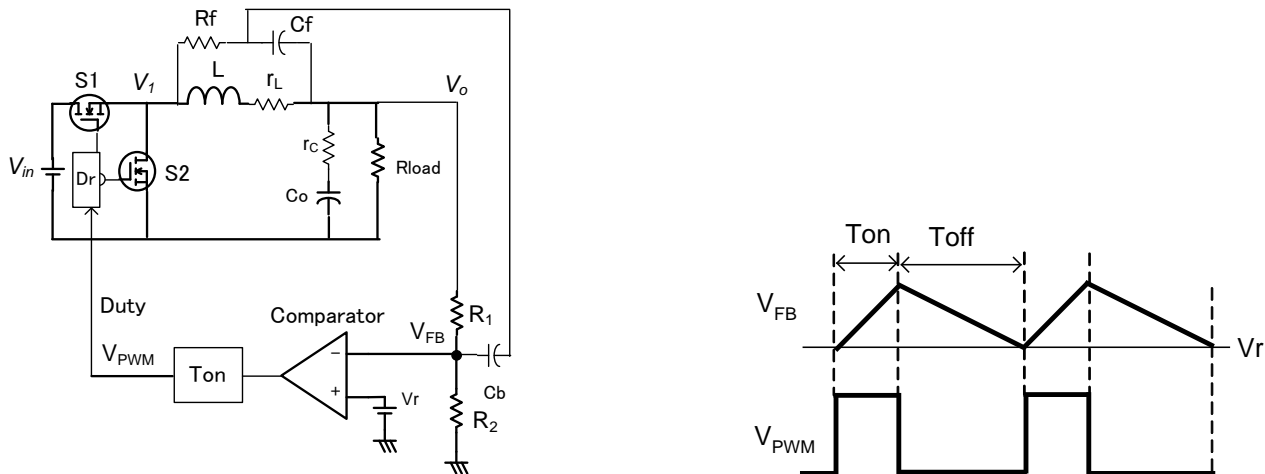


Figure 1. Block diagram of “Fixed On-Time with Bottom Detection having a Ripple Injection [1]

$$G_{open}(s) = G_{dv}(s) \underbrace{\frac{A}{V_{in}}(1 + sT_c)}_{H_{comp}(s)} H_d(s) \tag{1}$$

Where $G_{dv}(s)$ is the transfer function from Duty to V_O , well known using “state-space averaging model”,

$H_{comp}(s)$: Transfer function of the comparator having ripple injection circuit from V_O to Duty.

$A = \frac{R_f}{R_1}$: Voltage gain of ripple injection circuit

$T_c = R_1 C_f$, Time constant of ripple injection circuit

$H_d(s) = e^{-sT_{on}/2}$: Delay factor of fixed on time

See the Appendix A to derive equation (1).

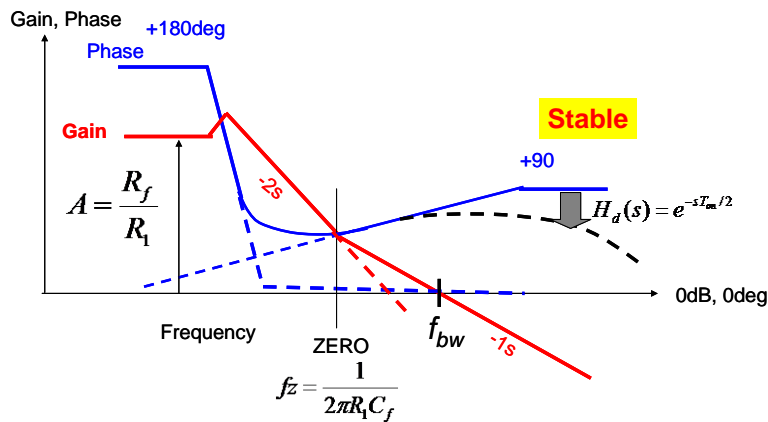


Figure 2. Frequency response (bode-plot) of “Fixed On-Time with Bottom Detection having ripple injection” [1]

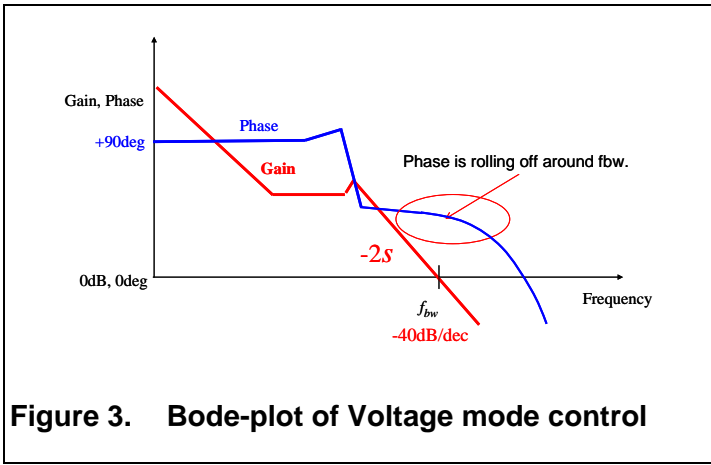


Figure 3. Bode-plot of Voltage mode control

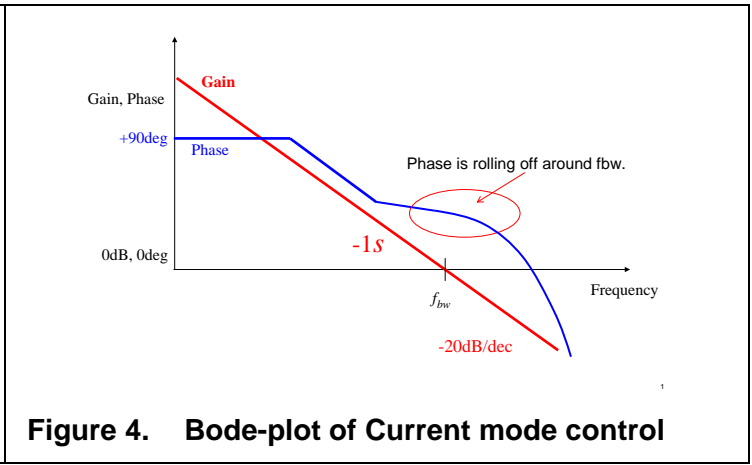


Figure 4. Bode-plot of Current mode control

1 D-CAP2™ open loop transfer function

1.1 Block diagram

Figure 5 shows the block diagram of D-CAP2™ include a comparator having a ripple injection circuit. An open loop transfer function should be expressed in equation (2).

$$G_{open}(s) = G_{dv}(s)H_{FB}(s)H_{COMP}(s)H_d(s) \tag{2}$$

Where, $G_{dv}(s)$ is the transfer function from Duty to V_o using well known “state-space averaging model”.

$H_{FB}(s)$ is the transfer function of the feedback divider network from V_o to V_{FB} .

$H_{COMP}(s)$ is the transfer function of the comparator having ripple injection circuit from V_{FB} to Duty.

$H_d(s) = e^{-sT_{on}/2}$ is the delay due to fixed on time.

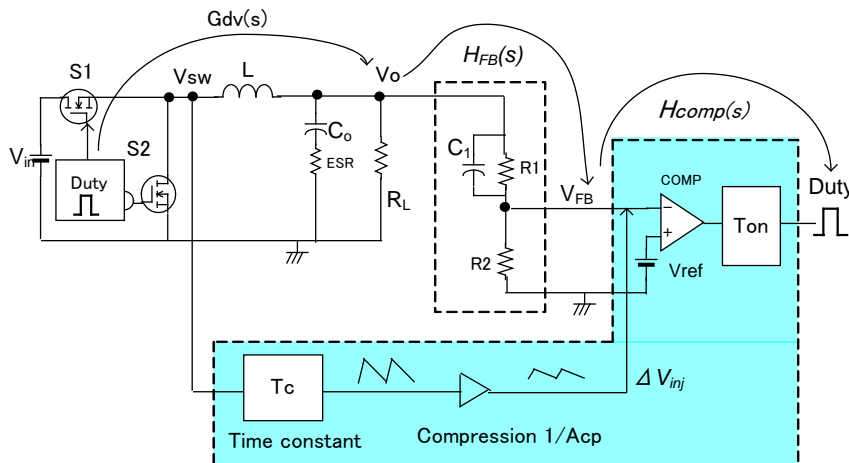


Figure 5. Block diagram of D-CAP2

1.2 $H_{comp}(s)$: The transfer function of comparator with ripple injection

Per the paper of [1], we know that the comparator with the ripple injection circuit has 1-zero (1st order lead system) which the time constant is defined by capacitor and resistor network.

In Figure 5, $H_{comp}(s)$ consists of comparator and the ripple injection circuit. And the ripple injection circuit consists of the time constant block (T_c) and a voltage compression block ($1/A_{cp}$). So, the transfer function $H_{comp}(s)$ is expressed as follows.

$$H_{COMP}(s) = \frac{\Delta D(s)}{\Delta V_{FB}(s)} = \frac{A_{cp}}{V_{in}} (1 + sT_c) \quad (3)$$

1.3 $H_{FB}(s)$: Feedback divider network

The transfer function from V_O to V_{FB} is given as follows.

$$H_{FB}(s) = \frac{R_2}{Z_1(s) + R_2} \quad (4)$$

$$\text{Where, } Z_1(s) = \frac{R_1}{1 + sC_1R_1} \quad (5)$$

DC gain of $H_{FB}(s)$ is

$$H_{FB}(0) = \frac{R_2}{R_1 + R_2} = \frac{V_{ref}}{V_o} \quad (6)$$

1.4 $G_{dv}(s)$: Plant (Power stage transfer function from Duty to V_O)

$G_{dv}(s)$ is given as follows using well known “state-space averaging model”.

$$G_{dv}(s) = \frac{V_{in} \left(1 + \frac{s}{\omega_{esr}} \right)}{1 + 2\delta \frac{s}{\omega_0} + \left(\frac{s}{\omega_0} \right)^2} \quad (7)$$

Where,

$$\delta = \frac{\sqrt{L/C_0} + R_L(r_L + r_C)\sqrt{C_0/L}}{2R_L\sqrt{1 + r_L/R_L}} \quad (8)$$

$$\omega_0 = \sqrt{\frac{1 + r_L/R_L}{LC_0}}$$

1.5 Delay factor of fixed on-time

The duty ratio cannot change while fixed on-time, so it should be considered as delay expressed as follows.

$$H_d(s) = e^{-sT_{on}/2} \quad (9)$$

1.6 Bode-plot shape of D-CAP2™

Now, we derived the open loop transfer function of eq. (2) which the image of the curve is shown in Figure 6. DC gain of open loop transfer function $G_{open}(0)$ is obtained as follows.

$$G_{open}(0) = A_{cp} \times H_{FB}(0) = A_{cp} \times \frac{V_{ref}}{V_O} \quad (10)$$

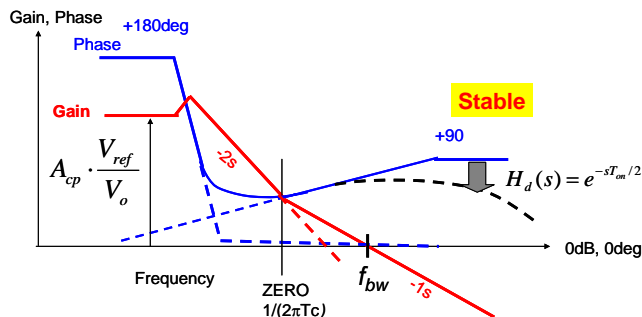


Figure 6. Frequency response (bode-plot) of D-CAP2™

1.7 Measurement block diagram for bode-plot

Figure 7 shows the measurement method using the popular signal injection resistor method in series with feedback network. The injection signal, V_{sig} , from FRA (Frequency Response Analyzer) should be small enough against the amplitude of injected ripple. Usually, V_{sig} is around 1mVpp to 3mVpp. Then, measure the transfer function from V_a to V_b shown in Figure 9.

NOTE: If V_O pin exist, the signal injection resistor (51 ohm) should be connected to R1 and V_O pin as shown in Fig. 7-(a). DO NOT put 51 ohm connect with R1 only as shown in Figure 8 if V_O pin exist. If V_O pin does not exist, put the 51 ohm between R1 and V_o as shown in Figure 7-(b).

Table 1. Applicable Devices as of December 2012

		PKG	Mesurement set up Fig.7	Devices (“/“ denotes devices without or with ECO mode)
Converter	Single	8SOP	(a)	TPS54225/226, TPS54325/326, TPS54425/426, TPS54429/429E, TPS54525/526, TPS54625/626 ⁽¹⁾
			(b)	TPS54227/228, TPS54327/328, TPS54427/428, TPS54527/528, TPS54627/628 ⁽¹⁾ , TPS54229/229E, TPS54329/329E, TPS54339/339E ⁽¹⁾ , TPS54239/239E ⁽¹⁾ , TPS56528/428 ⁽¹⁾ , TPS56228/328 ⁽¹⁾
	Dual	HTSSOP16	(b)	TPS54294/295, TPS54394/395, TPS54494/495, TPS542941/2951
Controller	Single	HTSSOP16	(a)	TPS53114
		VSSOP10	(b)	TPS53014/015
	Dual	TSSOP24	(a)	TPS53125, TPS53126, TPS53127, TPS53128, TPS53129

(1) In development

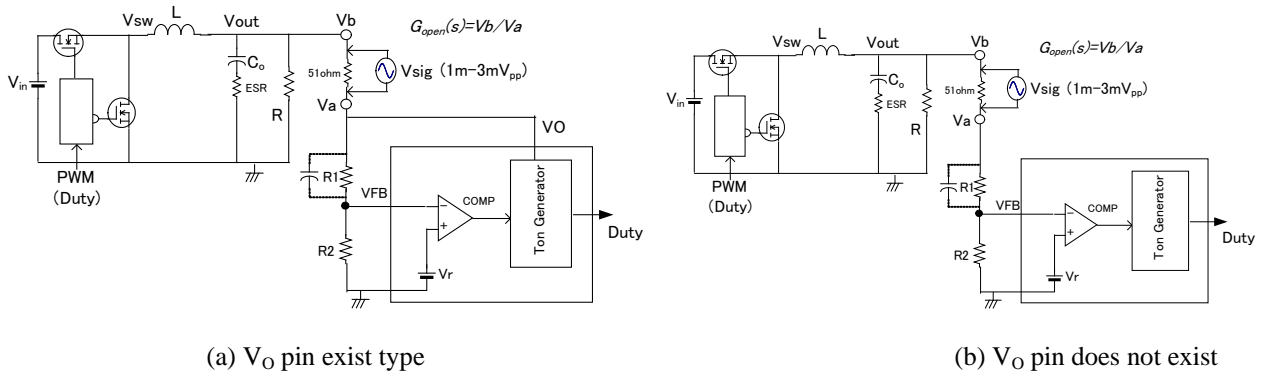


Figure 7. Measurement block diagram for bode-plot

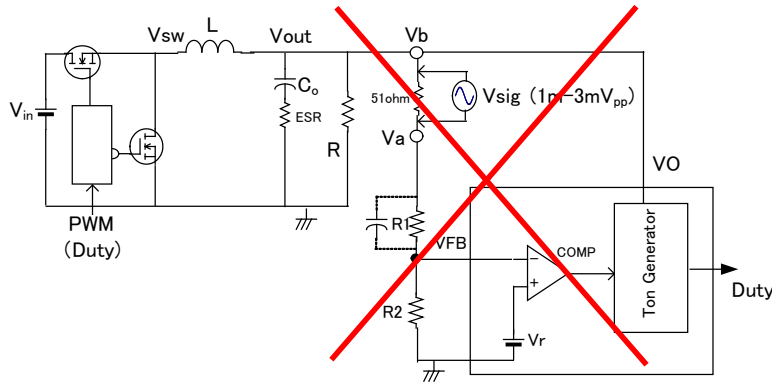


Figure 8. Wrong measurement block diagram of bode-plot for D-CAP2 (if V_O pin exist)

2 Experimental data of bode-plot (Frequency response)

Here are [examples](#) of the TPS54325 (converter) and the TPS53114 (controller). Table 2 and 3 show the value of Acp and Tc of each device with the condition specified in the table.

Table 2.

Device	Condition			Acp	Tc (us)
	Vin(V)	Vo(V)	L(uH)		
TPS54325 (fsw=700kHz)	12.0	1.05	1.5	65	1.06
		1.2	1.5	70	
		1.5	1.5	78	
		1.8	2.2	84	
		2.5	2.2	96	
		3.3	2.2	104	
		5.0	3.3	114	

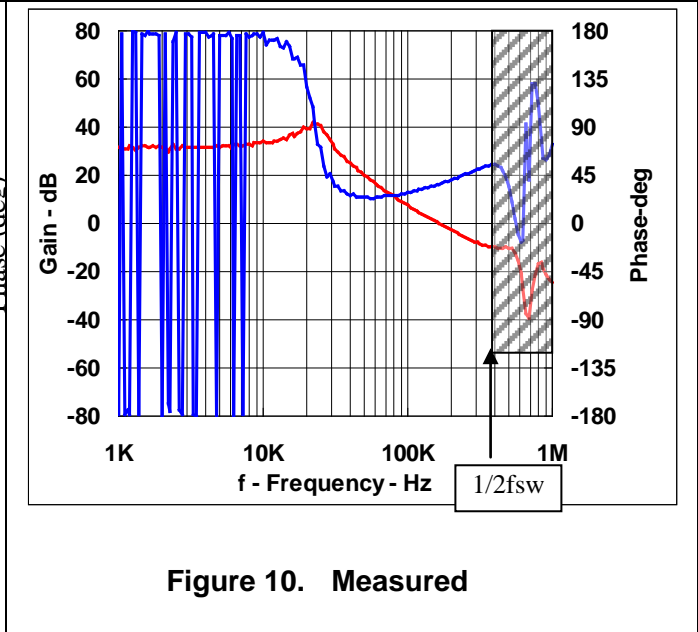
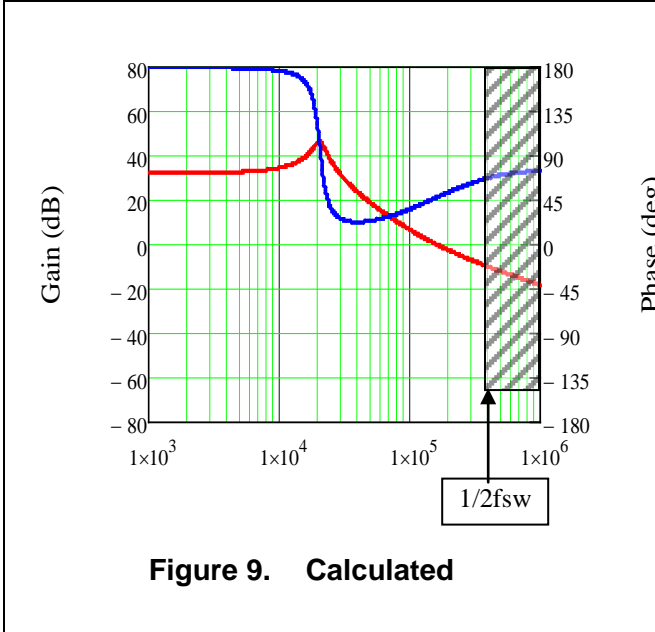
TPS53114 (Controller):

Table 3.

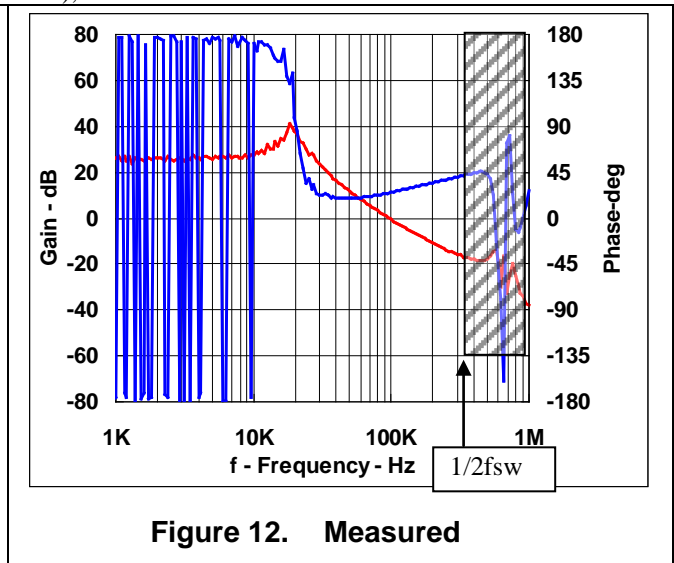
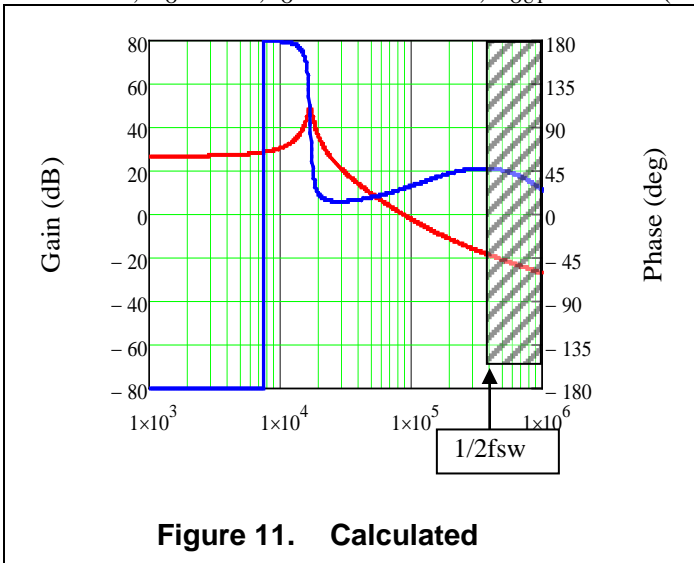
Device	Condition			Acp	Tc (us)
	Vin(V)	Vo(V)	L(uH)		
TPS53114 (fsw=700kHz)	12.0	1.05	1.5	35	0.95
		1.2	1.5	36	
		1.5	1.5	38	
		1.8	2.2	39	
		2.5	2.2	41	
		3.3	2.2	42	
		5.0	3.3	44	

2.1 TPS54325 (Converter type)

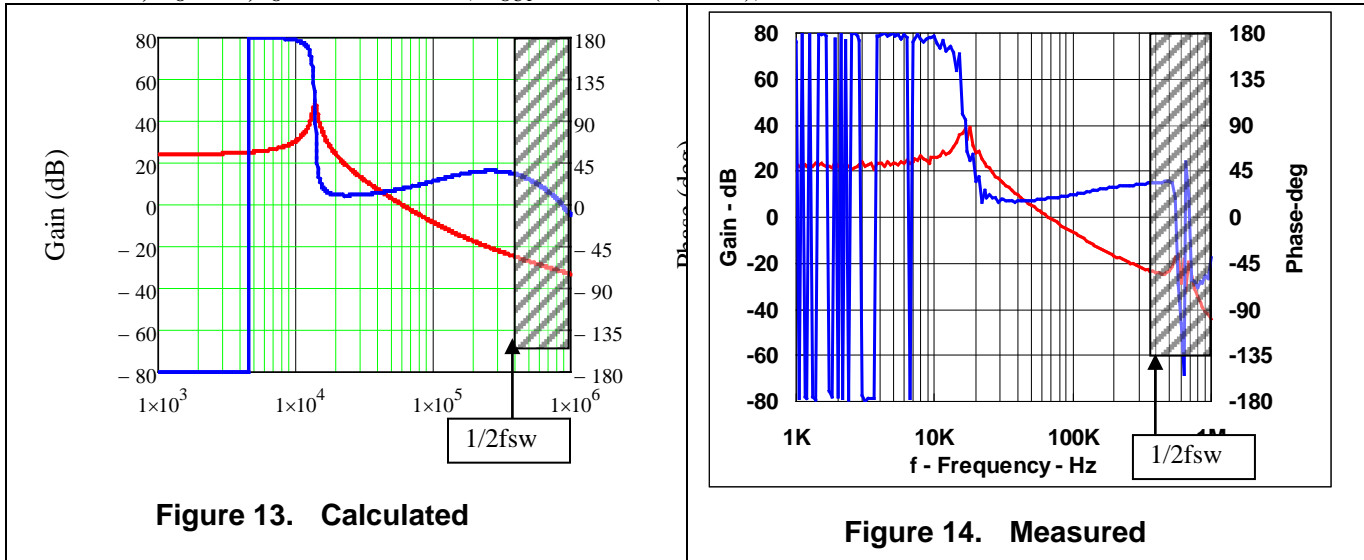
$V_{in} = 12V, V_O = 1.05V, I_O = 1A: L = 1.5\mu H, C_{OUT} = 22\mu F \times 2$ (ceramic), 700kHz



$V_{in} = 12V, V_O = 3.3V, I_O = 1A: L = 2.2\mu H, C_{OUT} = 22\mu F \times 2$ (ceramic), $f_{sw} = 700kHz$

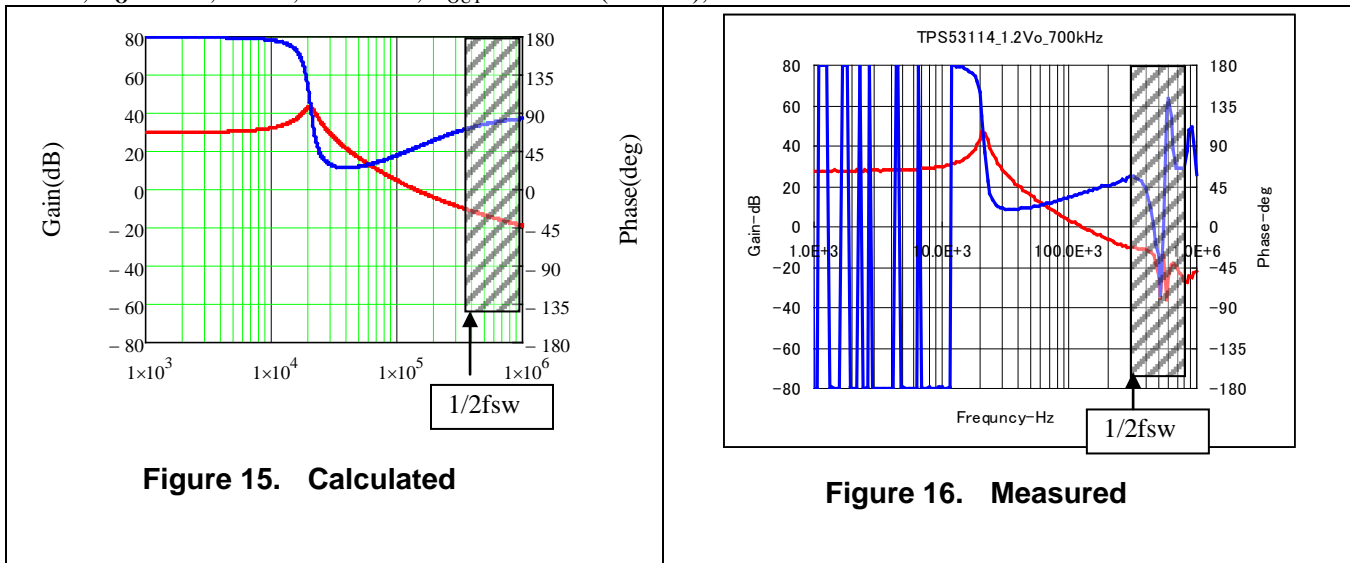


$V_{in} = 12V, V_O = 5V, I_O = 1A: L = 3.3\mu H, C_{OUT} = 22\mu F \times 2$ (ceramic), $f_{sw} = 700kHz$

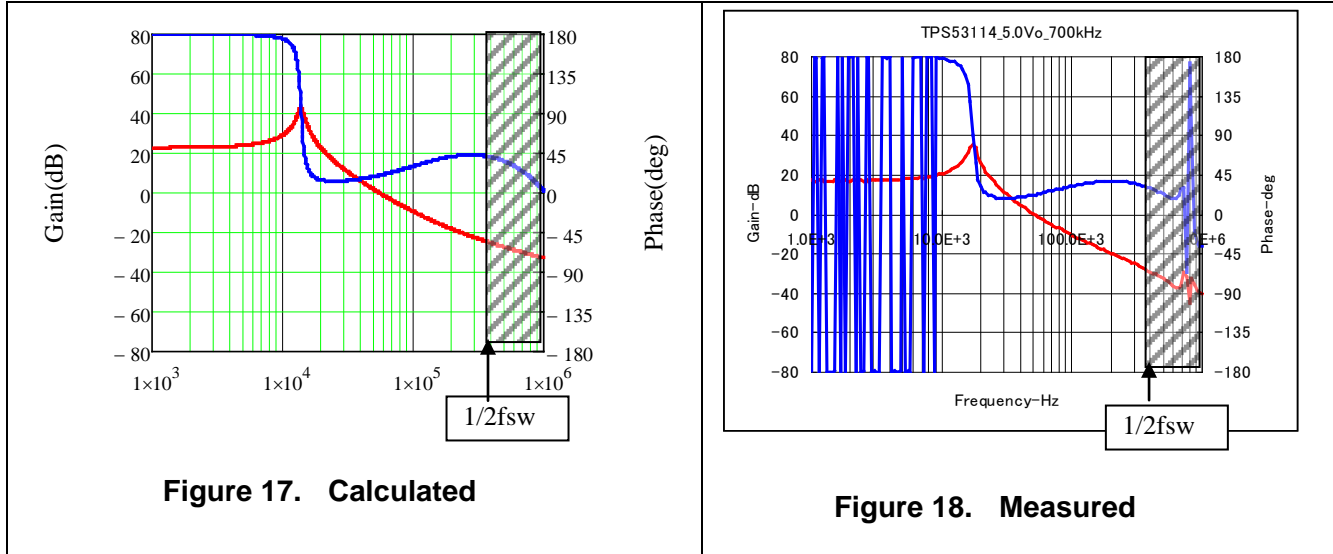


2.2 TPS53114 (Controller):

$V_{in} = 12V, V_O = 1.2V, I_o = 2A, L = 1.5\mu H, C_{OUT} = 22\mu F \times 2$ (ceramic), $f_{sw} = 700kHz$



$V_{in} = 12V$, $V_o = 5V$, $I_o = 2A$, $L = 3.3\mu H$, $C_{OUT} = 22\mu F \times 2$ (ceramic), $f_{sw} = 700kHz$



2.3 Phase compensation technique with Feed Forward capacitor (1pole-1zero of $H_{FB}(s)$)

As shown in equation (2), there exist delay factor $e^{-sT_{on}/2}$ due to fixed on-time. So, for a high duty ratio (such as 12 Vin, 5 Vo, or 5 Vin, 3.3 Vo), the phase curve rolling off by delay factor $e^{-sT_{on}/2}$ becomes obvious.

In this case, feed forward capacitor (C_1 in Figure 5) on $H_{FB}(s)$ circuit can help to get enough phase margin by making 1pole - 1zero in equation below.

$$H_{FB}(s) = \frac{R_2}{Z_1(s) + R_2} = \frac{R_2}{R_1 + R_2} \times \frac{1 + \frac{s}{\omega_z}}{1 + \frac{s}{\omega_p}} \quad (23)$$

Where, Zero (ω_z), pole (ω_p), and center frequency (ω_{center}) of $H_{FB}(s)$ are expressed as follows.

$$\omega_z = \frac{1}{C_1 R_1}, \quad \omega_p = \frac{1}{C_1 (R_1 // R_2)}, \quad \omega_{center} = \sqrt{\omega_z \omega_p} \quad (24)$$

$f_{center} (= \omega_{center} / 2\pi)$ is the most phase boosting frequency. Usually, when design $H_{FB}(s)$ with feed forward capacitor, place f_{center} to f_{bw} or $f_z (= \omega_z / 2\pi)$ to f_{bw} , or between. It depends on the case.

Figure 19 shows the example of $H_{FB}(s)$ when $V_{in} = 12V$, and $V_{OUT} = 5V$. Figure 19 (a) shows the case of no feed forward capacitor ($C1 = 0pF$). Figure 19 (b) shows the case of $C1 = 47pF$ to make 1pole-1zero of $H_{FB}(s)$. Zero (f_z) is 27.8kHz, and Pole (f_p) is 182kHz. So maximum phase boost is obtained around 71kHz ($=f_{center}$).

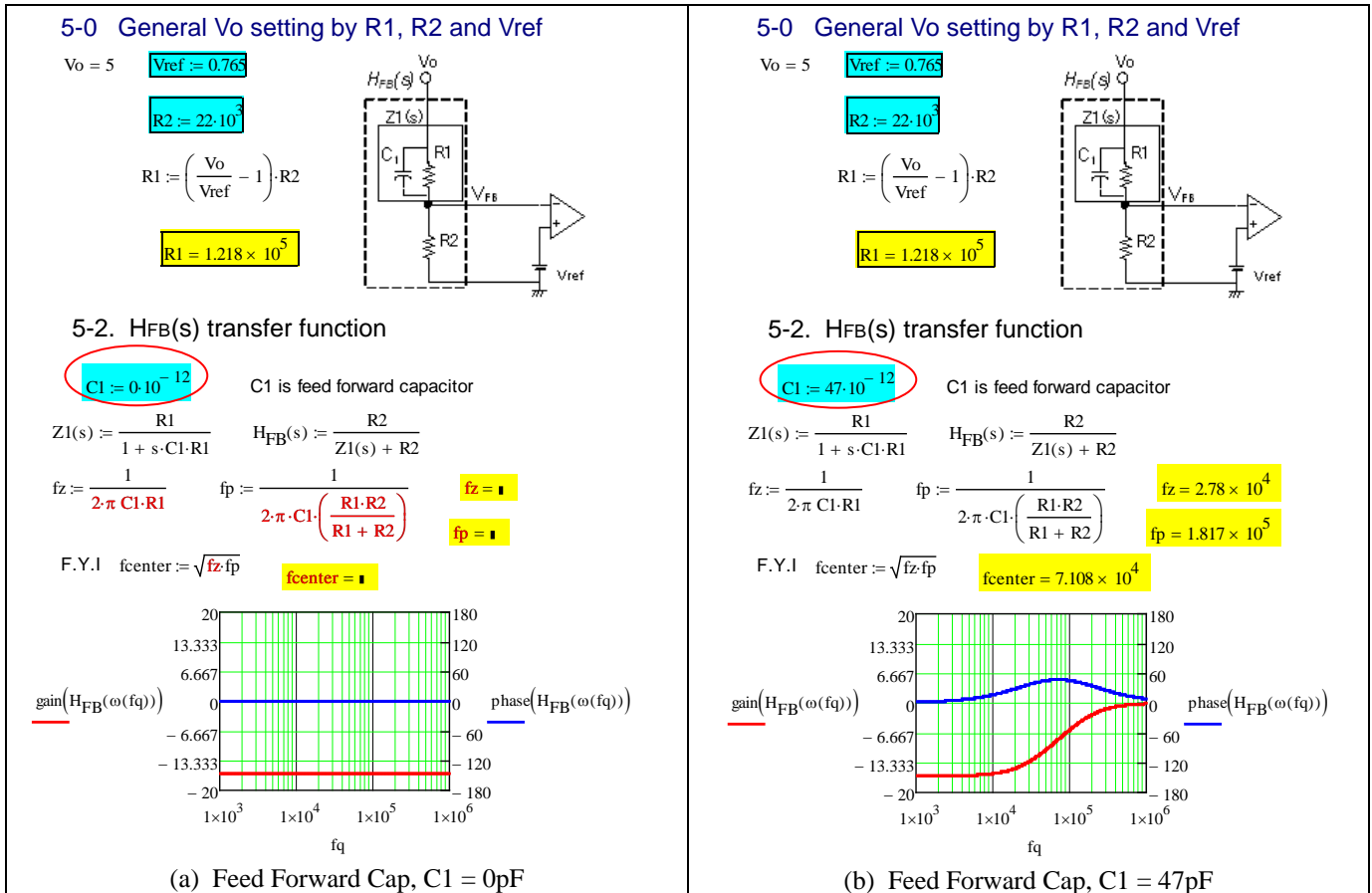


Figure 19. Design of 1pole-1zero using feed forward capacitor (12 Vin, 5 Vo)

Figure 20 shows the example of calculated bode-plot (open loop transfer function) of TPS54325 without and with feed forward capacitor, respectively. It is found that the phase margin around loop bandwidth (70kHz) was improved. Here, $L=3.3\mu\text{H}$, $C_o=22\mu\text{F}\times 2$, $f_{sw}=700\text{kHz}$.

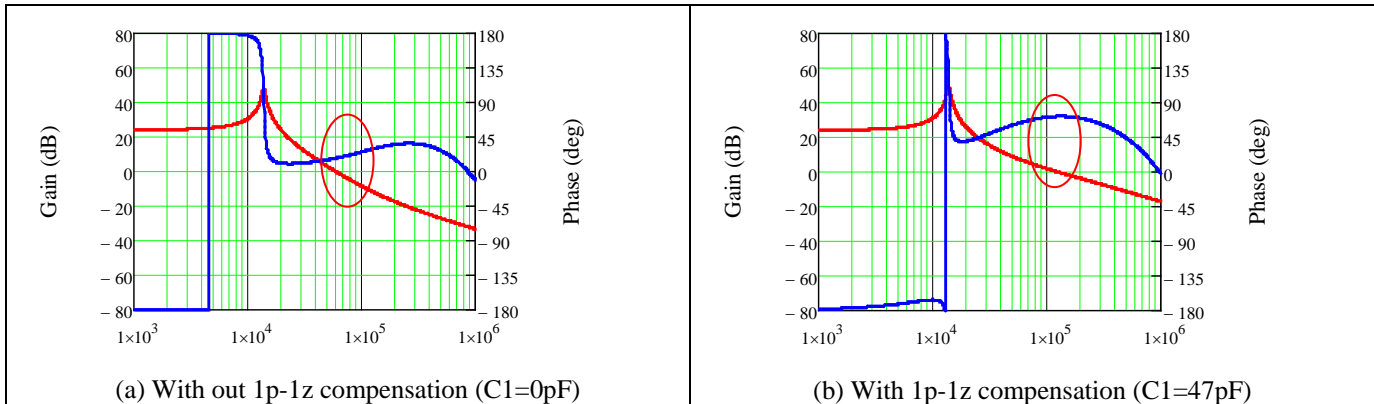


Figure 20. Calculated bode-plot (open loop transfer function) of TPS54325 at 12 Vin, 5 VO.

Figure 21 shows the measured bode-plot with various feed-forward capacitor (C_f means feed-forward capacitor here) to validate the result of Figure 20. It is found that the feed forward capacitor can get enough phase margin as predicted by 1pole-1zero of HFB(s).

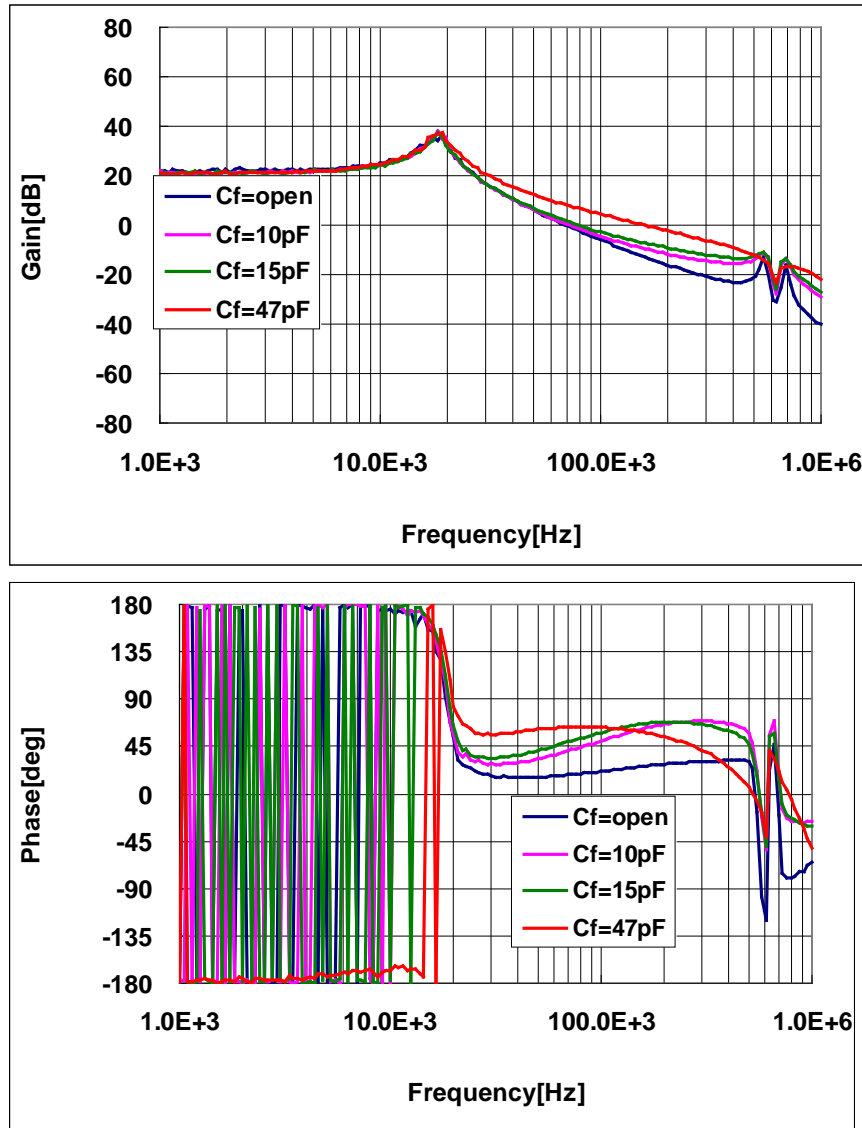


Figure 21. Measured bode-plot (open loop transfer function) of TPS54325 at 12 V_{in} , 5 V_O .

References:

- [1] M. Lin, T. Zaitso, T. Sato, and T. Nabeshima, "Frequency Domain Analysis of Fixed On-Time with Bottom Detection Control for Buck Converter," IEEE IECON2010, pp.475-479
- [2] B.P.Schweizer and A.B.Rosenstein, "Free Running – Switching Mode Regulator: Analysis and Design," IEEE Transactions on Aerospace, vol. AS-2, Oct. 1964, pp.1171-1180.
- [3] R. Miftakhutdinov, "An Analytical Comparison of Alternative Control technique for powering Next-Generation Microprocessors," Texas Instruments Seminar 2002.
- [4] Kisun Lee, Fred C. Lee and Ming Xu, "Novel Hysteretic Control Method for Multiphase Voltage Regulators," APEC2008.
- [5] T. Nabeshima, T. Sato, S. Yoshida, S. Chiba and K. Onda, "Analysis and design consideration of a buck converter with a hysteretic PWM controller," IEEE PESC Records, pp.1711-1716, 2004
- [6] K. Taniguchi, T. Sato, T. Nabeshima, and K. Nishijima, "Constant Frequency Hysteretic PWM Controlled Buck Converter", Proceedings of IEEE PEDS 2009, Paper No.476, CD-ROM, 2009

Appendix A.

A.1 How to derive the transfer function of hysteretic comparator having ripple injection in the hysteretic control

This is the appendix for the paper [1].

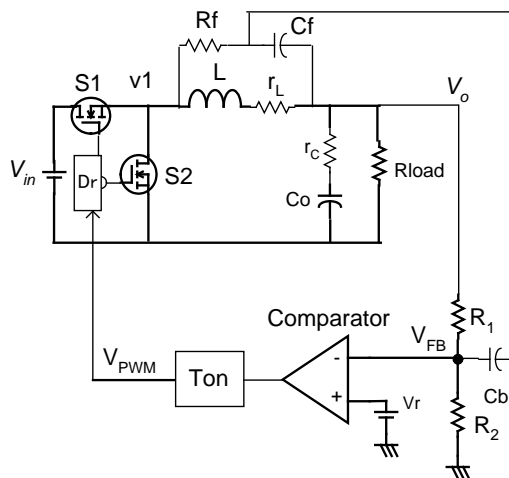


Figure A-1. Block diagram of hysteretic control (Fixed on-time with Bottom detection) having ripple injection

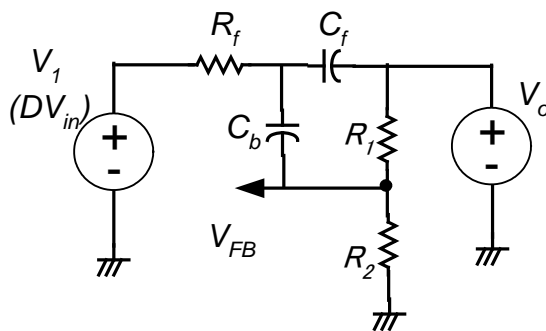
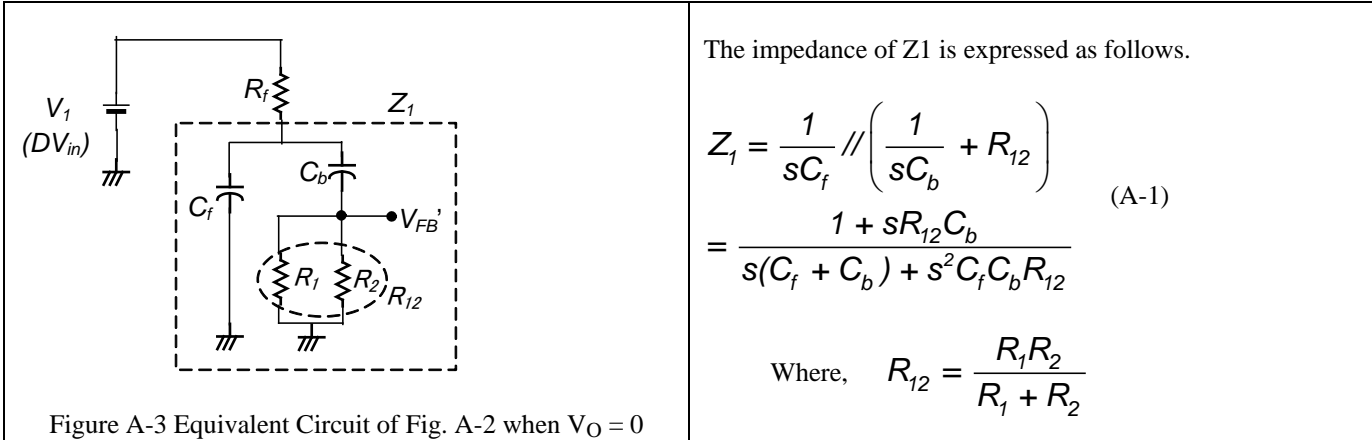


Figure A-2. Equivalent circuit of Figure A-1

There are two voltages of $V_1 (=DV_{in})$ and V_O in Figure A-2. Principle of superposition is used to get the transfer function.

A.2 When $V_O = 0$ (V_O short)

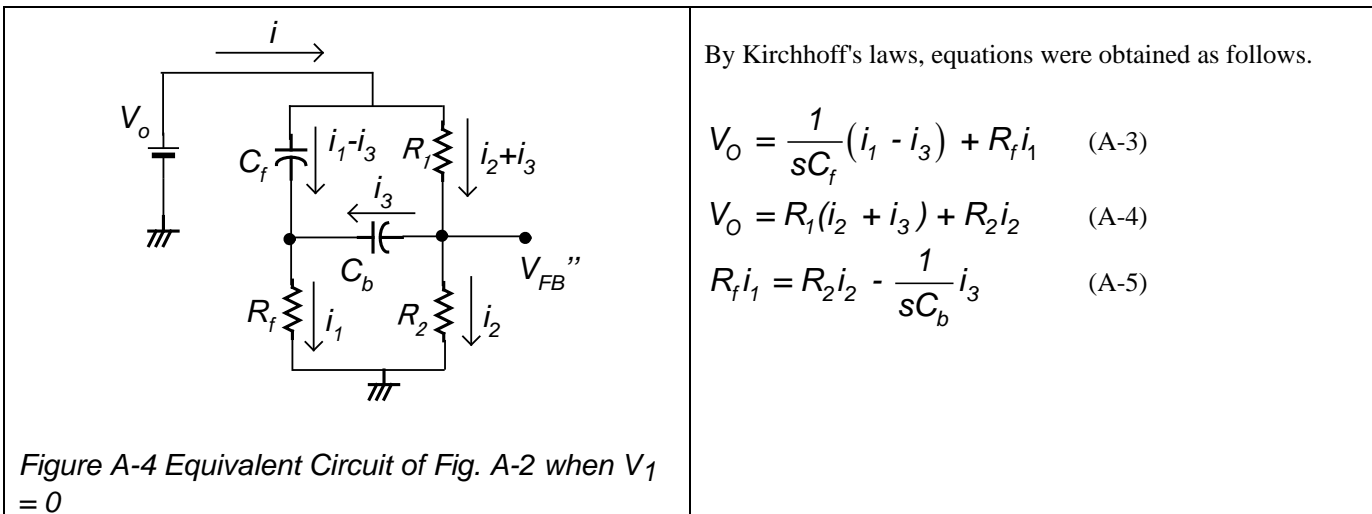


Using equation (A-1), V_{FB}' is expressed as follows with $D \times V_{in}$.

$$V_{FB}' = DV_{in} \times \frac{Z_1}{R_f + Z_1} \times \frac{R_{12}}{\frac{1}{sC_b} + R_{12}} = \frac{sC_bR_{12}}{s^2T_cC_bR_{12} + sC_bR_{12} + sR_f(C_f + C_b) + 1} \times DV_{in} \quad (A-2)$$

Where, $T_c = C_fR_f$

A.3 When $V_1 = 0$ (V_1 short)



i_3 is obtained by eliminating i_1 from equations (A-3) and (A-5).

$$i_3 = \frac{1}{\frac{R_f}{1 + sC_f R_f} + \frac{1}{sC_b}} \times \left(R_2 i_2 - \frac{R_f}{R_f + \frac{1}{sC_f}} \times V_o \right) \quad (A-6)$$

i_2 is obtained by eliminating i_3 from equations (A-4) and (A-6).

$$i_2 = \frac{\left(\frac{R_f}{1 + sC_f R_f} + \frac{1}{sC_b} \right) \times \frac{1}{R_1} + \frac{sC_f R_f}{1 + sC_f R_f}}{R_2 + \frac{R_1 + R_2}{R_1} \times \left(\frac{R_f}{1 + sC_f R_f} + \frac{1}{sC_b} \right)} V_o \quad (A-7)$$

So, we can get V_{FB} as follows.

$$V_{FB} = R_2 i_2 = \frac{\left(\frac{R_f}{1 + sC_f R_f} + \frac{1}{sC_b} \right) \cdot \frac{1}{R_1} + \frac{sC_f R_f}{1 + sC_f R_f}}{1 + \frac{R_1 + R_2}{R_1 R_2} \cdot \left(\frac{R_f}{1 + sC_f R_f} + \frac{1}{sC_b} \right)} V_o = \frac{s^2 \cdot T_C C_b R_1 R_2 + s \cdot R_2 (T_C + R_f C_b) + R_2}{s^2 \cdot T_C C_b R_1 R_2 + s \{ C_b R_1 R_2 + (R_1 + R_2) (T_C + R_f C_b) \} + (R_1 + R_2)} \cdot V_o \quad (A-8)$$

From the principle of superposition,

$$V_{FB} = V'_{FB} + V''_{FB} = \frac{sC_b R_{12}}{s^2 T_C C_b R_{12} + sC_b R_{12} + sR_f (C_f + C_b) + 1} \times DV_{in} \quad (A-9)$$

$$+ \frac{s^2 \times T_C C_b R_1 R_2 + s \times R_2 (T_C + R_f C_b) + R_2}{s^2 \times T_C C_b R_1 R_2 + s \{ C_b R_1 R_2 + (R_1 + R_2) (T_C + R_f C_b) \} + (R_1 + R_2)} \times V_o$$

Here we can assume below because the ripple voltage ΔV_{FB} is small enough compared to V_{FB} .

$$V_{FB} = V_r \quad (A-10)$$

Equation (A-9) is simply expressed as follows. This is a steady-state solution.

$$V_{FB} = V_r = G_1(s)DV_{in} + G_2(s)V_o \quad (A-11)$$

$$\text{Where, } G_1(s) = \frac{sC_bR_{12}}{s^2T_C C_b R_{12} + sC_b R_{12} + sR_f(C_f + C_b) + 1}$$

$$G_2(s) = \frac{s^2 \times T_C C_b R_1 R_2 + s \times R_2 (T_C + R_f C_b) + R_2}{s^2 \times T_C C_b R_1 R_2 + s \{ C_b R_1 R_2 + (R_1 + R_2)(T_C + R_f C_b) \} + (R_1 + R_2)}$$

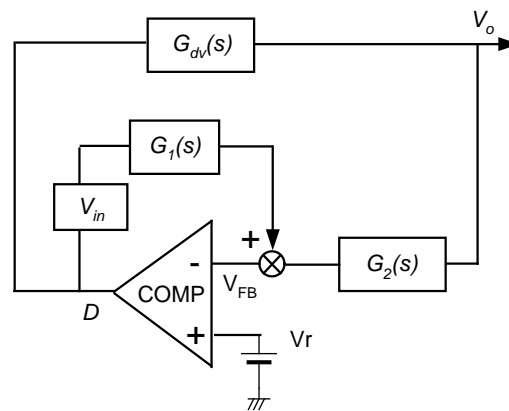


Figure. A-5. Control Block Diagram of equation (A-11)
($G_{dv}(s)$ is the known plant transfer function from D to V_o)

A.4 Transfer function from ΔV_o to ΔD (Small-signal dynamic characteristic analysis)

Through a well-known “small-signal dynamic characteristic analysis”, assuming $D \rightarrow D + \Delta D$, $V_o \rightarrow V_o + \Delta V_o$ to see the transfer function from ΔV_o to ΔD . Equation (A-11) is expressed as follows.

$$V_r = G_1(s)(D + \Delta D)V_{in} + G_2(s)(V_o + \Delta V_o) \quad (A-12)$$

Substituting equation (A-11) as steady-state solution to equation (A-12), equation (A-13) was obtained.

$$\begin{aligned} \frac{\Delta D}{\Delta V_o} &= - \frac{G_2(s)}{G_1(s)} \times \frac{1}{V_{in}} = - \frac{s^2 \times T_c C_b R_1 R_2 + s \times R_2 (T_c + R_f C_b) + R_2}{s^2 \times T_c C_b R_1 R_2 + s \{ C_b R_1 R_2 + (R_1 + R_2)(T_c + R_f C_b) \} + (R_1 + R_2)} \times \frac{1}{V_{in}} \\ &= - \frac{s^2 T_c C_b R_1 + s(T_c + R_f C_b) + 1}{s R_1 C_b} \times \frac{1}{V_{in}} \end{aligned} \quad (A-13)$$

Finally, putting $C_b = \infty$, the simplified equation of the comparator transfer function was obtained as follows.

$$\frac{\Delta D}{\Delta V_o} = - \frac{R_f}{R_1 V_{in}} (1 + s R_1 C_f) \quad (A-14)$$

IMPORTANT NOTICE

Texas Instruments Incorporated and its subsidiaries (TI) reserve the right to make corrections, enhancements, improvements and other changes to its semiconductor products and services per JESD46, latest issue, and to discontinue any product or service per JESD48, latest issue. Buyers should obtain the latest relevant information before placing orders and should verify that such information is current and complete. All semiconductor products (also referred to herein as "components") are sold subject to TI's terms and conditions of sale supplied at the time of order acknowledgment.

TI warrants performance of its components to the specifications applicable at the time of sale, in accordance with the warranty in TI's terms and conditions of sale of semiconductor products. Testing and other quality control techniques are used to the extent TI deems necessary to support this warranty. Except where mandated by applicable law, testing of all parameters of each component is not necessarily performed.

TI assumes no liability for applications assistance or the design of Buyers' products. Buyers are responsible for their products and applications using TI components. To minimize the risks associated with Buyers' products and applications, Buyers should provide adequate design and operating safeguards.

TI does not warrant or represent that any license, either express or implied, is granted under any patent right, copyright, mask work right, or other intellectual property right relating to any combination, machine, or process in which TI components or services are used. Information published by TI regarding third-party products or services does not constitute a license to use such products or services or a warranty or endorsement thereof. Use of such information may require a license from a third party under the patents or other intellectual property of the third party, or a license from TI under the patents or other intellectual property of TI.

Reproduction of significant portions of TI information in TI data books or data sheets is permissible only if reproduction is without alteration and is accompanied by all associated warranties, conditions, limitations, and notices. TI is not responsible or liable for such altered documentation. Information of third parties may be subject to additional restrictions.

Resale of TI components or services with statements different from or beyond the parameters stated by TI for that component or service voids all express and any implied warranties for the associated TI component or service and is an unfair and deceptive business practice. TI is not responsible or liable for any such statements.

Buyer acknowledges and agrees that it is solely responsible for compliance with all legal, regulatory and safety-related requirements concerning its products, and any use of TI components in its applications, notwithstanding any applications-related information or support that may be provided by TI. Buyer represents and agrees that it has all the necessary expertise to create and implement safeguards which anticipate dangerous consequences of failures, monitor failures and their consequences, lessen the likelihood of failures that might cause harm and take appropriate remedial actions. Buyer will fully indemnify TI and its representatives against any damages arising out of the use of any TI components in safety-critical applications.

In some cases, TI components may be promoted specifically to facilitate safety-related applications. With such components, TI's goal is to help enable customers to design and create their own end-product solutions that meet applicable functional safety standards and requirements. Nonetheless, such components are subject to these terms.

No TI components are authorized for use in FDA Class III (or similar life-critical medical equipment) unless authorized officers of the parties have executed a special agreement specifically governing such use.

Only those TI components which TI has specifically designated as military grade or "enhanced plastic" are designed and intended for use in military/aerospace applications or environments. Buyer acknowledges and agrees that any military or aerospace use of TI components which have **not** been so designated is solely at the Buyer's risk, and that Buyer is solely responsible for compliance with all legal and regulatory requirements in connection with such use.

TI has specifically designated certain components as meeting ISO/TS16949 requirements, mainly for automotive use. In any case of use of non-designated products, TI will not be responsible for any failure to meet ISO/TS16949.

Products

Audio	www.ti.com/audio
Amplifiers	amplifier.ti.com
Data Converters	dataconverter.ti.com
DLP® Products	www.dlp.com
DSP	dsp.ti.com
Clocks and Timers	www.ti.com/clocks
Interface	interface.ti.com
Logic	logic.ti.com
Power Mgmt	power.ti.com
Microcontrollers	microcontroller.ti.com
RFID	www.ti-rfid.com
OMAP Applications Processors	www.ti.com/omap
Wireless Connectivity	www.ti.com/wirelessconnectivity

Applications

Automotive and Transportation	www.ti.com/automotive
Communications and Telecom	www.ti.com/communications
Computers and Peripherals	www.ti.com/computers
Consumer Electronics	www.ti.com/consumer-apps
Energy and Lighting	www.ti.com/energy
Industrial	www.ti.com/industrial
Medical	www.ti.com/medical
Security	www.ti.com/security
Space, Avionics and Defense	www.ti.com/space-avionics-defense
Video and Imaging	www.ti.com/video

TI E2E Community

e2e.ti.com