

EVM User's Guide: BQ2969EVM

BQ2969 Evaluation Module



Description

The BQ2969EVM is a complete evaluation system for the BQ2969. The BQ2969 is a high accuracy, low-power overvoltage protector with an integrated LDO for 2-series to 4-series Li-Ion, and LiFePO4 battery packs.

The circuit module connects directly to the cells in a battery, or can be connected with a power supply and the included cell simulator resistors. The evaluation board includes all onboard components necessary to signal the conditions of overcharge and overdischarge in a 4-series cell Li-Ion or Li-Polymer battery pack.

Get Started

1. Order the BQ2969EVM from ti.com.

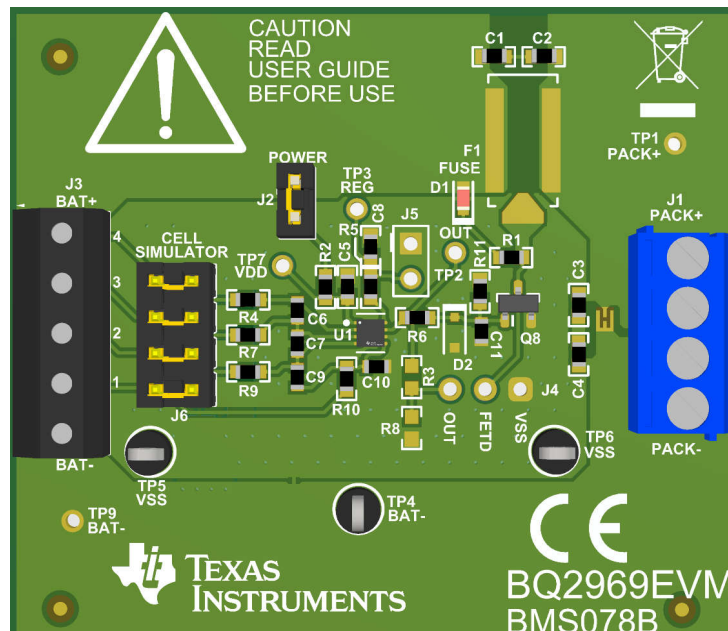
2. Follow the instructions in this user's guide to get started.

Features

- Complete evaluation system for the BQ2969 overvoltage protection for 2-series, 3-series, and 4-series cell Li-Ion batteries with integrated LDO
- Populated circuit module for 4-cell configuration
- Resistor cell simulator for quick setup with only a power supply

Applications

- [Notebook PCs](#)
- [Ultrabooks](#)
- [Portable medical electronics](#)
- [UPS battery backup systems](#)



1 Evaluation Module Overview

1.1 Introduction

The BQ2969EVM evaluation module (EVM) is a complete evaluation system for the BQ2969, a high accuracy, low-power overvoltage protector with an integrated LDO for 2-series to 4-series Li-Ion, and LiFePO4 battery packs. The EVM consists of a BQ2969 circuit module which is used for simple evaluation of the BQ2969 protection functions. The circuit module includes one BQ2969 integrated circuit (IC) and all other onboard components necessary to signal the conditions of overcharge and overdischarge in a 4-series cell Li-Ion or Li-Polymer battery pack. The circuit module connects directly across the cells in a battery, or can be connected with a power supply and the included cell simulator resistors.

1.2 Kit Contents

- BQ2969 circuit module

1.2.1 Required Equipment

The following equipment is required to operate the BQ2969EVM in a simple demonstration:

- DC power supply: 0V to 20V at 250mA
- 2x DC voltmeter
- Test leads to connect equipment

Additional equipment can be desired to operate the BQ2969 with a more extensive demonstration.

1.3 Specification

This section summarizes the performance specifications of the BQ2969 circuit module in the default 4-series cell configuration.

Typical voltage depends on the number of cells configured. Because the board does not control current, if populating additional components, limit currents to appropriate levels.

Table 1-1. Performance Specification Summary

Specification	Min	Typ	Max	Unit
Input voltage BAT+ with respect to BAT-	3	-	22	V
Continuous current	0	-	1	A
Operating temperature range	20	25	30	°C

1.4 Device Information

Table 1-2. Device Information

EVM Part Number	Chemistry	Configuration	Capacity
BQ2969EVM	Li-Ion	4 cells	Any

Note

Capacity is shown as *Any* since the board does not control current. If making additional connections monitor board currents and temperatures to operate within the limits of the components and laboratory environment. Refer to the physical construction section for board details.

2 Hardware

2.1 Setup

The BQ2969 installed on the board outputs OUT high during overvoltage faults as described in the [BQ2969 data sheet](#).

The BQ2969 is configured for cell count by the connections on the board. By default the board is set up for four cells and this quick start is for all four cells. When fewer cells are used, refer to [Section 2.2](#) and adjust the supply voltage appropriately.

These steps describe quick connection of the BQ2969EVM to demonstrate operation of the protector function of the EVM. For more detailed descriptions, refer to other sections of the user guide.

Refer to [Figure 2-1](#) for the following steps:

1. Install the cell simulator shunts on J6 and the power supply shunt on J2.
2. Connect a 0V DC power supply capable of approximately 250mA between the *BAT-* and *BAT+* terminals and adjust to approximately 14V.
3. Connect a voltage meter to a VSS test point and monitor the TP2-OUT test point. Note that J4 (pin 3 - OUT) is not electrically connected by default.
4. Connect a voltage meter to a VSS test point and monitor the TP3-REG test point.
5. With nominal conditions observe that OUT (TP2) is low, approximately 0V, and REG (TP3) is high, approximately 3.3V.
6. Demonstrate an overvoltage condition:
 - a. Adjust the supply voltage to approximately 20V.
 - b. Observe that OUT transitions to approximately 7V and the on-board LED turns on after 6.5 seconds.
 - c. Adjust the supply voltage to approximately 14V.
7. Demonstrate an undervoltage condition:
 - a. Adjust the supply voltage to approximately 8V.
 - b. Observe that REG transitions to approximately 0V after 6.5 seconds.
 - c. Adjust the supply voltage to approximately 14V.
8. Make other adjustments as desired for evaluation. See other sections of this user guide for details of operation.
9. When complete with this quick start demonstration, turn off the power supply.

Refer to other sections of this user's guide for additional details.

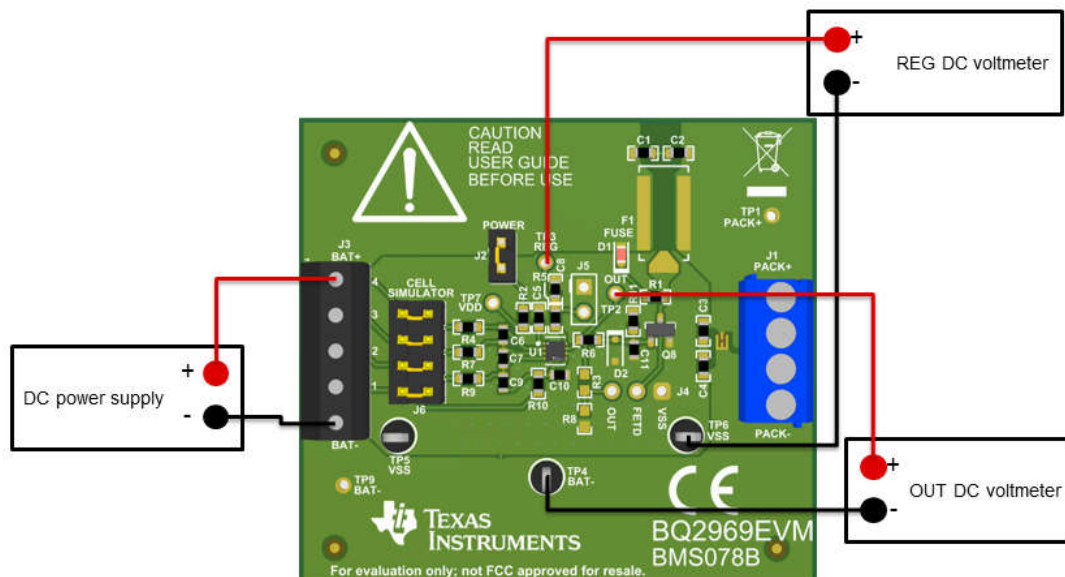


Figure 2-1. EVM Connection for Basic Operation

2.2 BQ2969 Circuit Module Use

The BQ2969 circuit module contains the BQ2969 IC and related circuitry to demonstrate the features of the IC. The board does not control current, the OUT signal passes directly to the TP2 connector. TP2 has no current limit or ESD protection on the signals, provide any necessary protection during evaluation external to the EVM. J2 provides a method to separate the supply feed from the input terminal block to measure current or to apply a voltage for customer test mode. Other components provide support for the IC and connections to the board. Basic operation is described in [Section 2.1](#). For details of the circuit, refer to [Section 3.1](#).

2.2.1 Cell Simulator

The EVM includes a resistive cell simulator made up of 200 Ω series resistors. The taps of the resistor network are connected to the cell inputs using shunts on the J6 header. BAT- is always connected to the resistor divider network. Install a shunt on the top cell location to connect BAT+ to the resistor divider to provide simulated voltages for the other cell inputs. With the top shunt installed the resistor divider is connected and shunts on the lower cell positions connect the inputs to the simulated voltages. With the top shunt removed all lower inputs with installed shunts are pulled to VSS. There is no indication of the cell simulator connection, the user must be aware of the shunt installation. The 200 Ω resistors provide a load of 5mA per volt on each cell.

2.2.2 Reducing the Cell Count

The BQ2969 cell count is reduced by shorting unused cells, normally from the top down but cells between the top and bottom can be shorted. The inputs are usually shorted at the IC as shown in the data sheet. The bottom cell must be used for proper operation. Power for the IC comes from the BAT+ terminal so power must be connected when using the EVM. While not recommended, the inputs of the EVM can typically be shorted at the terminal block for quick evaluation. For the best transient environment and to match the data sheet example, short the VCx pins at the capacitor and remove the unused input resistor. When using the cell simulator, shorting the unused cell at the terminal block is still required to eliminate the simulated cell voltage. Shorting the cell inputs at the terminal block screw terminals is also suggested since shorting the cell inputs is a visual indication that the device is configured for a different cell count. While different connections are possible, [Table 2-1](#) shows configuration recommendations for reduced cell counts.

Table 2-1. Reducing the Cell Count

Unused Cell (Numbered from Bottom Cell 1)	Short Cell Input Terminals	Input Resistor to Remove	Replace Capacitor with 0 Ω	IC Inputs Shorted
Cell 4	BAT+ to CELL3	R4	C6	VC4 to VC3
Cell 3	CELL3 to CELL2	R7	C7	VC3 to VC2

2.2.3 Connecting Cells

The EVM is constructed with a single connection to the top and bottom of the cell stack. Cell voltage for these cells is sensed on the board. The board is not configured to control current into or out of the cells.

The cell simulator provides resistors between the cell inputs. While in the process of installing physical cells, the cell simulator resistors load the cells and divide the voltage between any other unconnected inputs. The shunts must be removed once all the cells are connected or the cells are discharged by the constant drain of the cell simulator resistors.

BAT- is the reference voltage for the IC and must be connected first. After BAT-, cells can be connected in any order. Cell connection from the bottom up minimizes the voltage step size applied to the board. The recommended connection sequence for the EVM when connecting cells is bottom up:

1. Connect BAT-.
2. Connect cells bottom up: CELL1, CELL2, CELL3.
3. Make sure the cell simulator shunts are removed.

2.3 Best Practices

CAUTION

The BQ2969 does not limit performance to the ratings of the EVM. Set equipment appropriately to limit voltage and current for safe operation.

CAUTION

The circuit module has signal traces, components, and component leads on the bottom of the board. This can result in exposed voltages, warm surfaces, or sharp edges. Do not reach under the board during operation.

3 Hardware Design Files

3.1 BQ2969EVM Circuit Module Physical Construction

This section contains the PCB layout, bill of materials, and schematic of the BQ2969EVM circuit module. The BQ2969EVM consists of one circuit module assembly, BMS078.

3.1.1 Schematics

Figure 3-1 and Figure 3-2 illustrate the schematics.

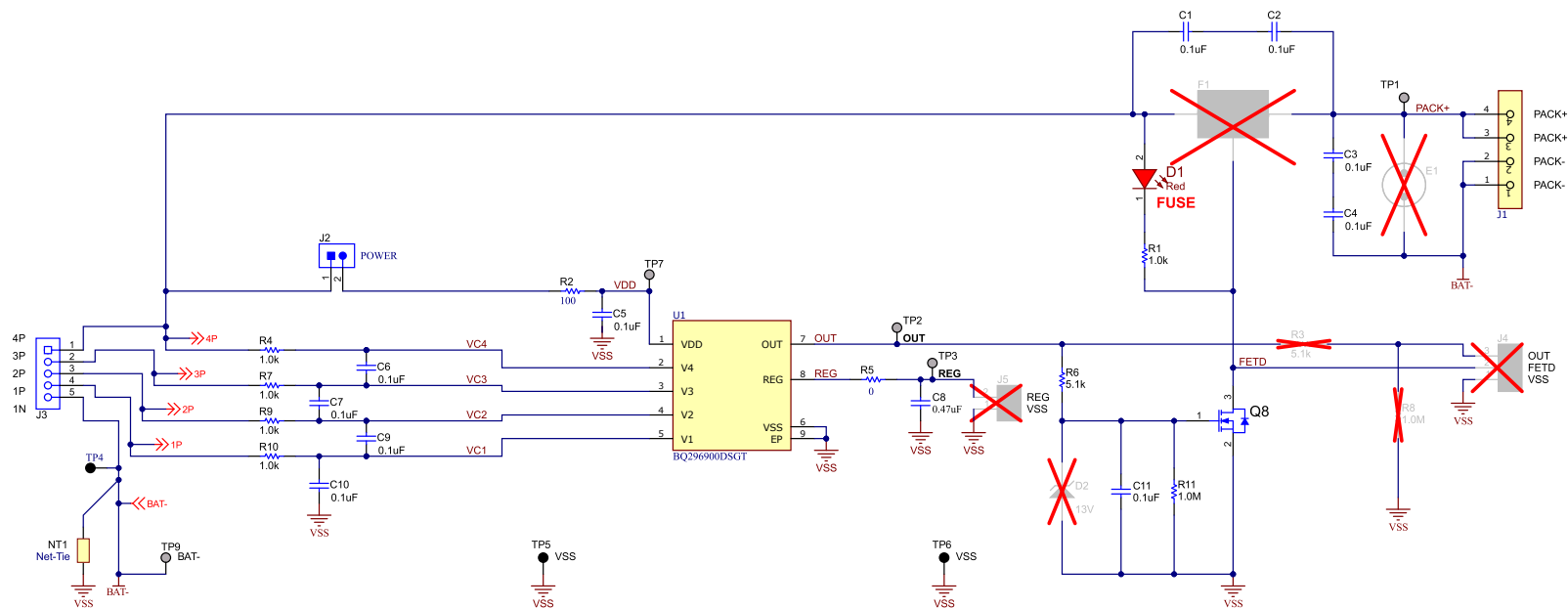


Figure 3-1. Schematic Diagram

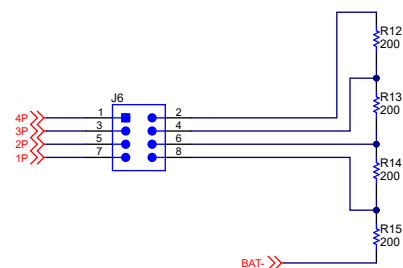


Figure 3-2. Cell Simulator

3.1.2 Board Layout

The BQ2969EVM circuit module is a 47.5mm × 53mm 2-layer circuit card assembly. The EVM is designed for easy assembly with cell connections on the left edge to a terminal block. Output terminals are on the right edge using a header. The EVM layout and construction allows easy understanding of the connections and access to the test points for evaluation.

See additional information in the configuration and operation sections of this document. [Figure 3-3](#) to [Figure 3-4](#) show the board layout.

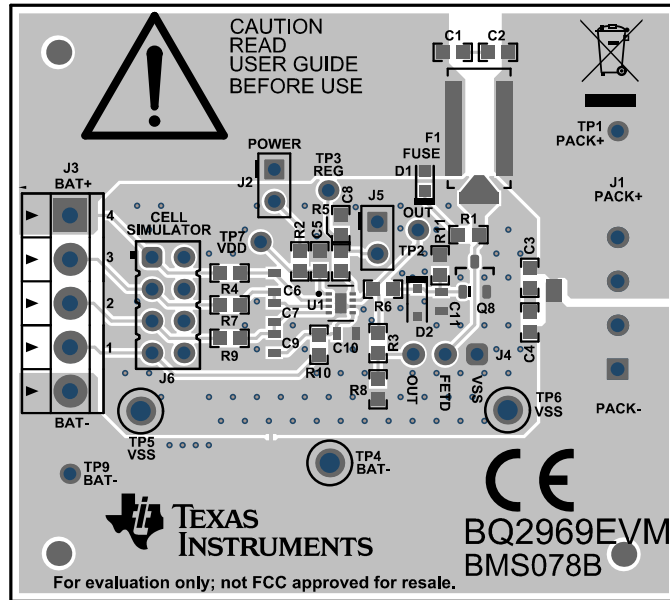


Figure 3-3. Top Layer

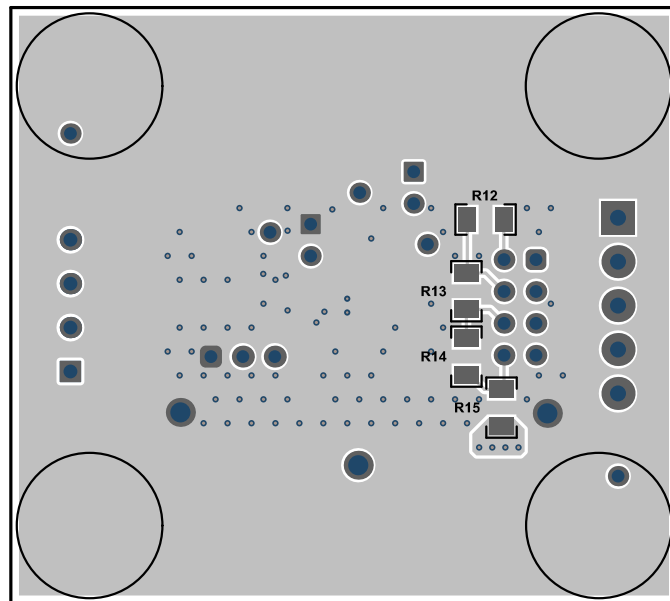


Figure 3-4. Bottom Layer

3.1.3 Bill of Materials

The bill of materials for the circuit module is shown in [Table 3-1](#). Substitute parts can be used in the manufacturing of the assembly.

Table 3-1. Bill of Materials

Designator	Quantity	Value	Description	Package Reference	Part Number	Manufacturer
!PCB1	1		Printed Circuit Board		BMS078	Any
C1, C2, C3, C4, C5	5	0.1uF	CAP, CERM, 0.1uF, 100V, +/- 10%, X7R, AEC-Q200 Grade 1, 0603	0603	GCJ188R72A104KA01D	MuRata
C6, C7, C9, C10, C11	5	0.1uF	CAP, CERM, 0.1uF, 50V, +/- 10%, X7R, 0603	0603	885012206095	Wurth Elektronik
C8	1	0.47uF	CAP, CERM, 0.47uF, 10V, +/- 10%, X5R, 0603	0603	C0603C474K8PACTU	Kemet
D1	1	Red	LED, Red, SMD	LED_0603	150060RS75000	Wurth Elektronik
H1, H2, H3, H4	4		Bumpon, Hemisphere, 0.44 X 0.20, Clear	Transparent Bumpon	SJ-5303 (CLEAR)	3M
J1	1		TERM BLOCK 3.5MM VERT 4POS PCB	HDR4	OSTTE040161	On Shore Technology
J2	1		Header, 100mil, 2x1, Tin, TH	Header, 2 PIN, 100mil, Tin	PEC02SAAN	Sullins Connector Solutions
J3	1		Terminal Block, 3.5mm Pitch, 5x1, TH	17.5x8.2x6.5mm	ED555/5DS	On-Shore Technology
J6	1		Header, 2.54mm, 4x2, Gold, TH	Header, 2.54mm, 4x2, TH	TSW-104-08-L-D	Samtec
Q8	1	60V	MOSFET, N-CH, 60V, 2A, AEC-Q101, SOT-23	SOT-23	DMN6075S-7	Diodes Inc.
R1, R4, R7, R9, R10	5	1.0k	RES, 1.0 k, 5%, 0.1 W, AEC-Q200 Grade 0, 0603	0603	CRCW06031K00JNEA	Vishay-Dale
R2	1	100	RES, 100, 5%, 0.1 W, AEC-Q200 Grade 0, 0603	0603	CRCW0603100RJNEA	Vishay-Dale
R5	1	0	RES, 0, 1%, 0.1 W, AEC-Q200 Grade 0, 0603	0603	RMCF0603ZT0R00	Stackpole Electronics Inc
R6	1	5.1k	RES, 5.1 k, 5%, 0.1 W, AEC-Q200 Grade 0, 0603	0603	CRCW06035K10JNEA	Vishay-Dale
R11	1	1.0Meg	RES, 1.0M, 5%, 0.1W, AEC-Q200 Grade 0, 0603	0603	CRCW06031M00JNEA	Vishay-Dale
R12, R13, R14, R15	4	200	RES, 200, 1%, 0.25 W, AEC-Q200 Grade 0, 1206	1206	CRCW1206200RFKEA	Vishay-Dale
SH-J1, SH-J2, SH-J3, SH-J4, SH-J5	5	1x2	Shunt, 100mil, Gold plated, Black	Shunt	SNT-100-BK-G	Samtec
TP4	1		Test Point, Multipurpose, Black, TH	Black Multipurpose Test point	5011	Keystone
TP5, TP6	2		Test Point, Compact, Black, TH	Black Compact Test point	5006	Keystone

Table 3-1. Bill of Materials (continued)

Designator	Quantity	Value	Description	Package Reference	Part Number	Manufacturer
U1	1		Overvoltage Protection for 2-Series, 3-Series, and 4-Series Cell Li-Ion Batteries with Regulated Output Supply	WSON8	BQ296900DSGT	Texas Instruments
D2	0	13V	Diode, Zener, 13V, 200mW, SOD-323	SOD-323	MMSZ5243BS-7-F	Diodes Inc.
F1	0		Fuse, 30A, 62 VDC, SMD	9.5x2x5mm	SFK-3030	Dexerials Corporation
FID1, FID2, FID3	0		Fiducial mark. There is nothing to buy or mount.	N/A	N/A	N/A
J4	0		Header, 100mil, 3x1, Gold, TH	3x1 Header	TSW-103-07-G-S	Samtec
J5	0		Header, 100mil, 2x1, Tin, TH	Header, 2 PIN, 100mil, Tin	PEC02SAAN	Sullins Connector Solutions
R3	0	5.1k	RES, 5.1 k, 5%, 0.1 W, AEC-Q200 Grade 0, 0603	0603	CRCW06035K10JNEA	Vishay-Dale
R8	0	1.0Meg	RES, 1.0M, 5%, 0.1W, AEC-Q200 Grade 0, 0603	0603	CRCW06031M00JNEA	Vishay-Dale

4 Additional Information

4.1 Trademarks

All trademarks are the property of their respective owners.

5 Related Documents from Texas Instruments

- Texas Instruments, [BQ2969 Overvoltage Protection for 2-Series, 3-Series, and 4-Series Cell Li-Ion B](#) data sheet

IMPORTANT NOTICE AND DISCLAIMER

TI PROVIDES TECHNICAL AND RELIABILITY DATA (INCLUDING DATA SHEETS), DESIGN RESOURCES (INCLUDING REFERENCE DESIGNS), APPLICATION OR OTHER DESIGN ADVICE, WEB TOOLS, SAFETY INFORMATION, AND OTHER RESOURCES "AS IS" AND WITH ALL FAULTS, AND DISCLAIMS ALL WARRANTIES, EXPRESS AND IMPLIED, INCLUDING WITHOUT LIMITATION ANY IMPLIED WARRANTIES OF MERCHANTABILITY, FITNESS FOR A PARTICULAR PURPOSE OR NON-INFRINGEMENT OF THIRD PARTY INTELLECTUAL PROPERTY RIGHTS.

These resources are intended for skilled developers designing with TI products. You are solely responsible for (1) selecting the appropriate TI products for your application, (2) designing, validating and testing your application, and (3) ensuring your application meets applicable standards, and any other safety, security, regulatory or other requirements.

These resources are subject to change without notice. TI grants you permission to use these resources only for development of an application that uses the TI products described in the resource. Other reproduction and display of these resources is prohibited. No license is granted to any other TI intellectual property right or to any third party intellectual property right. TI disclaims responsibility for, and you will fully indemnify TI and its representatives against, any claims, damages, costs, losses, and liabilities arising out of your use of these resources.

TI's products are provided subject to [TI's Terms of Sale](#) or other applicable terms available either on [ti.com](https://www.ti.com) or provided in conjunction with such TI products. TI's provision of these resources does not expand or otherwise alter TI's applicable warranties or warranty disclaimers for TI products.

TI objects to and rejects any additional or different terms you may have proposed.

Mailing Address: Texas Instruments, Post Office Box 655303, Dallas, Texas 75265
Copyright © 2024, Texas Instruments Incorporated