

Resonant Trimming Sequence

Maximilian Albrecht

ABSTRACT

This application report presents an efficient and precise method on how to achieve the desired resonant frequency of configuring the trim array with only a few iterations and measuring the resonant frequency. First, the minimum and maximum resonant frequency is measured; from this data a capacitance gradient is derived, which allows a good prediction of the required capacitance. The calculated capacitance is set, followed by a measurement step. Due to production tolerances, the resonant frequency could still be incorrect and require some further small iterations, which are described and discussed in this document.

Contents

1	Introduction	1
2	Hardware Description	2
3	Application	3

List of Figures

1	Resonant Trimming Flowchart	3
2	Fine Trimming Flowchart.....	4

1 Introduction

For optimized energy and data transfers, TI's analog front ends embed configurable capacitor arrays to adjust the resonant frequency of the external parallel resonant circuit consisting of a low frequency antenna and parallel resonant capacitor.

The capacitor array consists of several capacitors of different outputs that can be added to the parallel resonant circuit through a switch on each capacitor. This configuration is persistent also without supply voltage, assuring a trimmed resonant circuit even without battery.

To take advantage of the trim array, an efficient algorithm is required to adjust the capacitance to match the required target resonant frequency. The general process for this task is to enable and disable certain capacitors and subsequently measure the resulting resonant frequency. These steps are repeated until the desired result is achieved.

A variety of methods for this is possible. An easy but possibly time consuming approach could be to disable all capacitors and enable them one-by-one until the resonant frequency is in the desired range. Another method could be to start with half of the available capacitance enabled and then check if the current resonant frequency is below or above the desired frequency. Then, half of the remaining capacitance are enabled if it is below or half of the enabled capacitance are disabled if it is above the desired resonant frequency. This can be repeated until the desired capacitance is configured. A precise and efficient method is described in [Section 3](#).

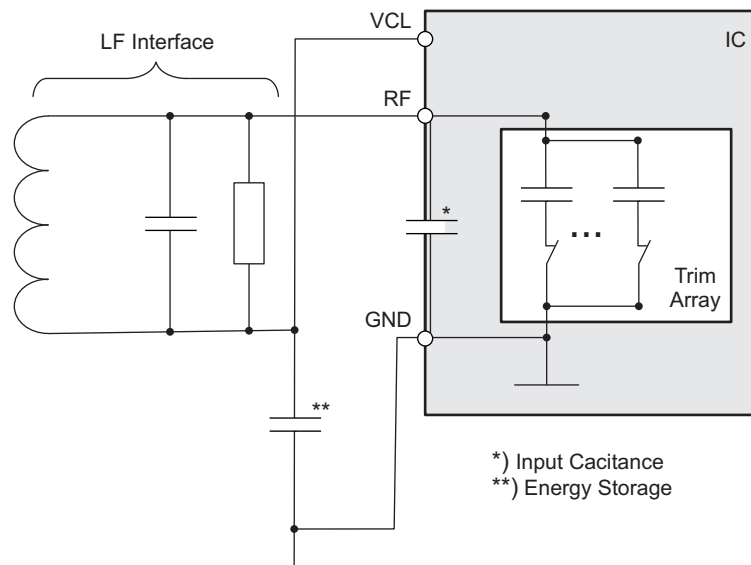
2 Hardware Description

2.1 The Capacitor Array

2.1.1 Capacitance Range and Dimensioning

The capacitor trimming array has a given capacitance range and consists, for example, of seven capacitors. The maximum capacitance of the array is equivalent to the sum of the capacitance of all capacitors. Each capacitor has half the size of the next larger capacitor.

That implies that the trim array has a capacitance resolution equivalent to the capacitance of the smallest capacitor.



2.1.2 Capacity Adjustment Using the Trim Byte

Those capacitors are controlled by the Trim Byte. The seven least significant bits determine which capacitors are enabled. They are ordered by capacitance and the least significant bit controls the smallest capacitor; therefore, the capacitance of the trimming array is proportional to the numeric value of the Trim Byte. For example, the Trim Byte = 40h adds twice the capacitance of the Trim Byte = 20h.

Examples

Examples Assuming a trimming array of seven capacitors with a maximum capacitance of 75 pF

Capacitance	Trim Byte (Hex)	Trim Byte (Binary)	
00.6 pF	01h	0000 0001b	Only the smallest capacitor is enabled
18.9 pF	20h	0010 0000b	Only the second largest capacitor is enabled
37.8 pF	40h	0100 0000b	Only the largest capacitor is enabled
75.0 pF	7Fh	0111 1111b	All capacitors are enabled

The trim byte that is equivalent to the desired capacitance can be calculated with this formula:

$$\text{TrimByteValue} = \frac{\text{DesiredCapacitance}}{\text{RangeOfCapacitance}} * \text{TrimByteRange} = \frac{C_{\text{target}}}{C_{\text{max}}} * 7Fh$$

3 Application

3.1 Description

This application report features a method of efficiently trimming the resonant frequency by calculating the “frequency shift per one capacitance unit”- gradient to determine a value for the Trim Byte, which is as close as possible to the optimized value. One “capacitance unit” is equivalent to the capacitance of the smallest capacitor in the array.

Due to non-ideal influences, it is necessary to repeatedly compare the current resonant frequency to the target frequency and slightly increase or decrease the capacitance until the best value is found. This is done in the Fine Trimming Sequence.

3.2 Flowcharts

3.2.1 Resonant Trimming Sequence

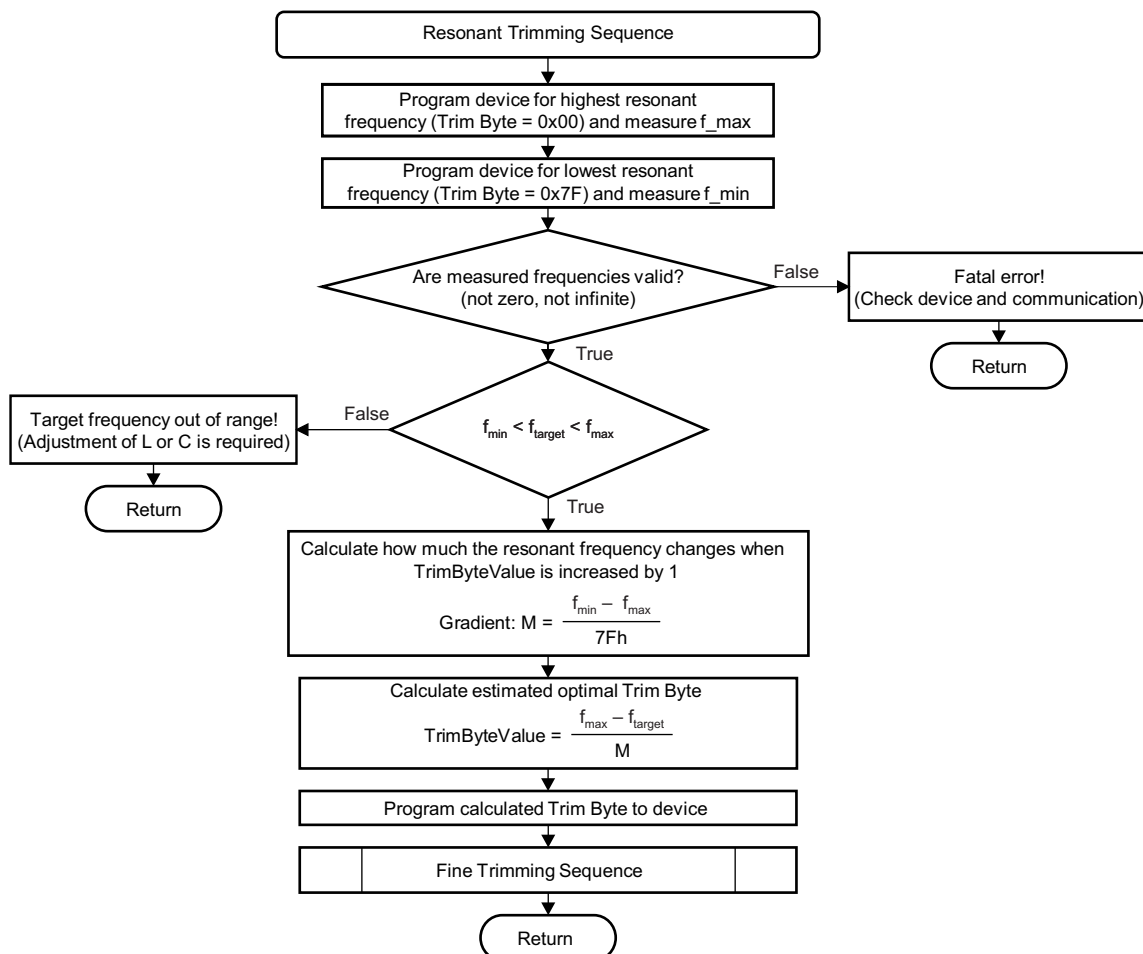


Figure 1. Resonant Trimming Flowchart

3.2.2 Fine Trimming Iteration

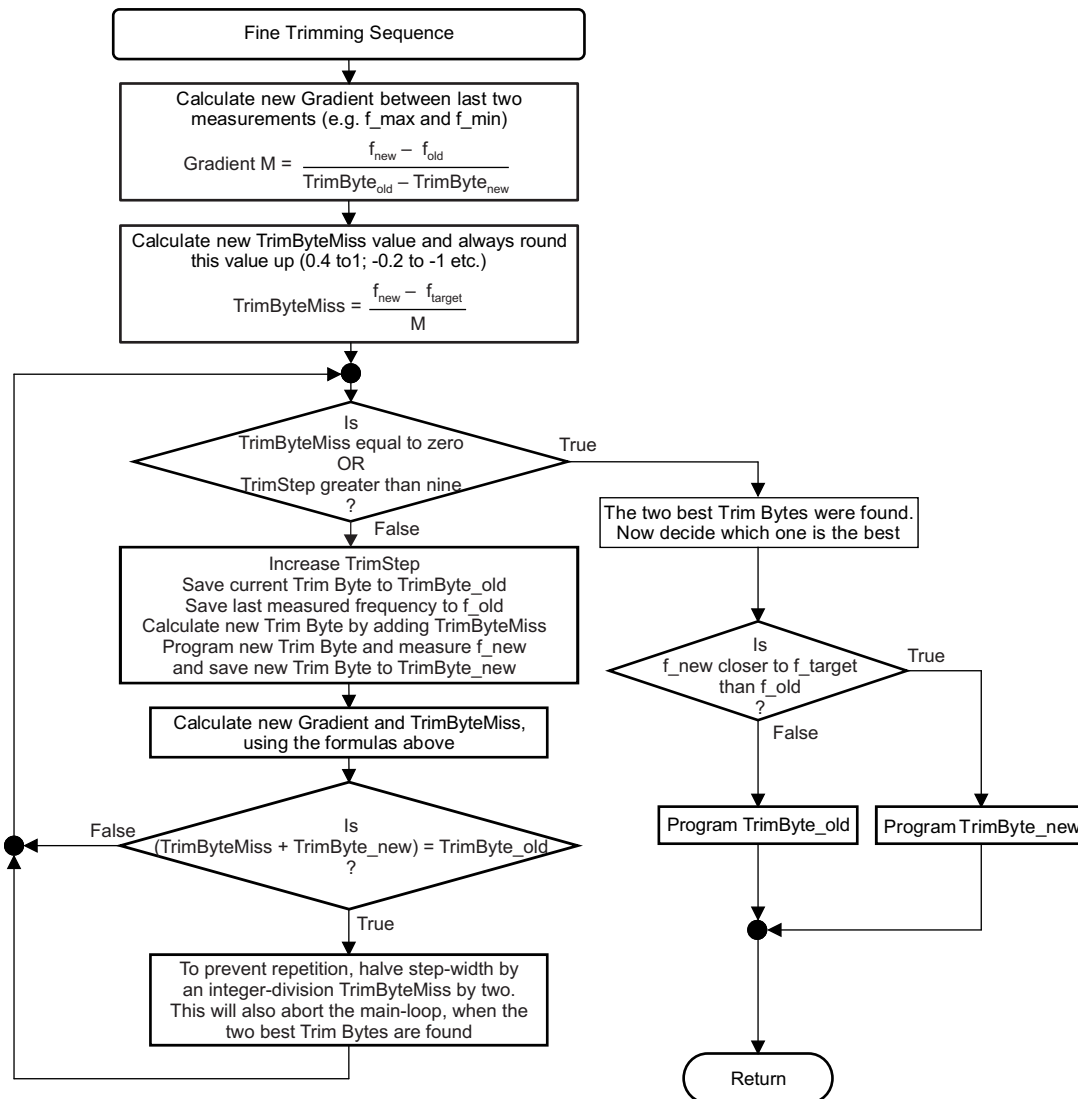


Figure 2. Fine Trimming Flowchart

3.3 Trimming a CRAID

The device used in the following example is a CRAID device with an LF antenna and a Trim Array with a maximum capacitance of 75 pF.

1. Define the desired target frequency.

$$f_{target} = 134.2 \text{ kHz}$$

2. Measure the maximum and minimum achievable frequency.

$$f_{max} = 143.35 \text{ kHz (TrimByte=00h)}$$

$$f_{min} = 125.67 \text{ kHz (TrimByte=7Fh)}$$

Measured frequencies are neither zero, nor infinite. They are valid.

f_{target} is in the available frequency range.

Preconditions for successful trimming are met.

3. Calculate resolution of the Trim Byte (gradient) with the given formula:

$$M = \frac{f_{max} - f_{min}}{\text{TrimByteRange}} = \frac{143.35 - 125.67}{7Fh} \text{ kHz} = 139 \frac{\text{Hz}}{\text{bit}}$$

If the trim byte is decreased by 1, the resulting resonant frequency will increase by 139 Hz.

- Calculate the computationally correct value for the Trim Byte, assuming an ideal linear characteristic.

$$\text{TrimByteValue} = \frac{f_{\text{max}} - f_{\text{target}}}{M} = \frac{143.35 - 134.20}{0.139} 66_{10} = 42_{\text{h}}$$

- Program *TrimByteValue* to the device and subsequently measure the resonant frequency.

$$f_{\text{current}} = 132.45 \text{ kHz}$$

Now the *Fine Trimming Sequence* begins with the following parameters:

- $f_{\text{old}} = f_{\text{max}} = 143.35 \text{ kHz}$
- $\text{TrimByte}_{\text{old}} = 00_{\text{h}}$
- $f_{\text{new}} = f_{\text{current}} = 132.45 \text{ kHz}$
- $\text{TrimByte}_{\text{new}} = 42_{\text{h}}$

- Calculate the new Gradient (this value slightly varies because of nonlinearities).

$$M = \frac{f_{\text{new}} - f_{\text{old}}}{\text{TrimByte}_{\text{old}} - \text{TrimByte}_{\text{new}}} = 165 \frac{\text{Hz}}{\text{bit}}$$

- Calculate the new *TrimByteMiss* and round up the value.

$$\text{TrimByteMiss} = \frac{f_{\text{new}} - f_{\text{target}}}{M} = 10.6; \text{ after round up}; -11$$

- Count up *TrimStep*, save the old values and prepare the new values, since *TrimByteMiss* is not 0.

- $\text{TrimStep} = 1$
- $\text{TrimByte}_{\text{old}} = 42_{\text{h}}$
- $f_{\text{old}} = 132.45 \text{ kHz}$
- $\text{TrimByte}_{\text{new}} = \text{TrimByte}_{\text{old}} + \text{TrimByteMiss} = 66 - 11 = 55 = 37_{\text{h}}$

- Program *TrimByte_{new}* to the device and measure the frequency as f_{new}

$$f_{\text{new}} = 134.13 \text{ kHz}$$

- Calculate the new gradient *M* and *TrimByteMiss* like in steps 7 and 8.

$$M = 153 \text{ [Hz / bit]}$$

$$\text{TrimByteMiss} = -0.45; \text{ after rounding up}; -1$$

- Start the next Trimming Step (similar to steps 9, 10, and 11), since $(\text{TrimByte}_{\text{new}} + \text{TrimByteMiss})$ is not $\text{TrimByte}_{\text{old}}$ and *TrimByteMiss* is still greater than zero. After this is done, you have the following values:

- $\text{TrimStep} = 2$
- $\text{TrimByte}_{\text{old}} = 37_{\text{h}}$
- $f_{\text{old}} = 134.13 \text{ kHz}$
- $\text{TrimByte}_{\text{new}} = \text{TrimByte}_{\text{old}} + \text{TrimByteMiss} = 55 - 1 = 54 = 36_{\text{h}}$
- $f_{\text{new}} = 134.21 \text{ kHz}$
- $M = 80 \text{ [Hz / bit]}$
- $\text{TrimByteMiss} = 0.12; \text{ after rounding up}; 1$

- Know that the two best Trim Bytes (36h and 37h) are found, because $(\text{TrimByte}_{\text{new}} + \text{TrimByteMiss})$ is equal to $\text{TrimByte}_{\text{old}}$. *TrimByteMiss* is divided by two and due to the integer division is now zero and the main-loop will be aborted.

- f_{new} is closer to the target frequency at 134.2 kHz than f_{old} , so $\text{TrimByte}_{\text{new}}$ is recognized as optimal Trim Byte. The device is programmed to this value and is now trimmed as good as possible.

IMPORTANT NOTICE

Texas Instruments Incorporated and its subsidiaries (TI) reserve the right to make corrections, enhancements, improvements and other changes to its semiconductor products and services per JESD46, latest issue, and to discontinue any product or service per JESD48, latest issue. Buyers should obtain the latest relevant information before placing orders and should verify that such information is current and complete. All semiconductor products (also referred to herein as "components") are sold subject to TI's terms and conditions of sale supplied at the time of order acknowledgment.

TI warrants performance of its components to the specifications applicable at the time of sale, in accordance with the warranty in TI's terms and conditions of sale of semiconductor products. Testing and other quality control techniques are used to the extent TI deems necessary to support this warranty. Except where mandated by applicable law, testing of all parameters of each component is not necessarily performed.

TI assumes no liability for applications assistance or the design of Buyers' products. Buyers are responsible for their products and applications using TI components. To minimize the risks associated with Buyers' products and applications, Buyers should provide adequate design and operating safeguards.

TI does not warrant or represent that any license, either express or implied, is granted under any patent right, copyright, mask work right, or other intellectual property right relating to any combination, machine, or process in which TI components or services are used. Information published by TI regarding third-party products or services does not constitute a license to use such products or services or a warranty or endorsement thereof. Use of such information may require a license from a third party under the patents or other intellectual property of the third party, or a license from TI under the patents or other intellectual property of TI.

Reproduction of significant portions of TI information in TI data books or data sheets is permissible only if reproduction is without alteration and is accompanied by all associated warranties, conditions, limitations, and notices. TI is not responsible or liable for such altered documentation. Information of third parties may be subject to additional restrictions.

Resale of TI components or services with statements different from or beyond the parameters stated by TI for that component or service voids all express and any implied warranties for the associated TI component or service and is an unfair and deceptive business practice. TI is not responsible or liable for any such statements.

Buyer acknowledges and agrees that it is solely responsible for compliance with all legal, regulatory and safety-related requirements concerning its products, and any use of TI components in its applications, notwithstanding any applications-related information or support that may be provided by TI. Buyer represents and agrees that it has all the necessary expertise to create and implement safeguards which anticipate dangerous consequences of failures, monitor failures and their consequences, lessen the likelihood of failures that might cause harm and take appropriate remedial actions. Buyer will fully indemnify TI and its representatives against any damages arising out of the use of any TI components in safety-critical applications.

In some cases, TI components may be promoted specifically to facilitate safety-related applications. With such components, TI's goal is to help enable customers to design and create their own end-product solutions that meet applicable functional safety standards and requirements. Nonetheless, such components are subject to these terms.

No TI components are authorized for use in FDA Class III (or similar life-critical medical equipment) unless authorized officers of the parties have executed a special agreement specifically governing such use.

Only those TI components which TI has specifically designated as military grade or "enhanced plastic" are designed and intended for use in military/aerospace applications or environments. Buyer acknowledges and agrees that any military or aerospace use of TI components which have **not** been so designated is solely at the Buyer's risk, and that Buyer is solely responsible for compliance with all legal and regulatory requirements in connection with such use.

TI has specifically designated certain components as meeting ISO/TS16949 requirements, mainly for automotive use. In any case of use of non-designated products, TI will not be responsible for any failure to meet ISO/TS16949.

Products

Audio	www.ti.com/audio
Amplifiers	amplifier.ti.com
Data Converters	dataconverter.ti.com
DLP® Products	www.dlp.com
DSP	dsp.ti.com
Clocks and Timers	www.ti.com/clocks
Interface	interface.ti.com
Logic	logic.ti.com
Power Mgmt	power.ti.com
Microcontrollers	microcontroller.ti.com
RFID	www.ti-rfid.com
OMAP Applications Processors	www.ti.com/omap
Wireless Connectivity	www.ti.com/wirelessconnectivity

Applications

Automotive and Transportation	www.ti.com/automotive
Communications and Telecom	www.ti.com/communications
Computers and Peripherals	www.ti.com/computers
Consumer Electronics	www.ti.com/consumer-apps
Energy and Lighting	www.ti.com/energy
Industrial	www.ti.com/industrial
Medical	www.ti.com/medical
Security	www.ti.com/security
Space, Avionics and Defense	www.ti.com/space-avionics-defense
Video and Imaging	www.ti.com/video

TI E2E Community

e2e.ti.com