



ABSTRACT

This document describes the known exceptions to the functional specifications (advisories).

Table of Contents

1 Functional Advisories	2
2 Preprogrammed Software Advisories	2
3 Debug Only Advisories	2
4 Fixed by Compiler Advisories	3
5 Nomenclature, Package Symbolization, and Revision Identification	4
5.1 Device Nomenclature.....	4
5.2 Package Markings.....	4
5.3 Memory-Mapped Hardware Revision (TLV Structure).....	5
6 Advisory Descriptions	6
7 Revision History	14

1 Functional Advisories

Advisories that affect the device's operation, function, or parametrics.

✓ The check mark indicates that the issue is present in the specified revision.

Errata Number	Rev AE	Rev AD	Rev AB	Rev AA	Rev S	Rev Q	Rev O	Rev N	Rev M	Rev L
BCL5	✓	✓	✓	✓	✓	✓	✓	✓	✓	✓
MPY2	✓	✓	✓	✓	✓	✓	✓	✓	✓	✓
PORT3	✓	✓	✓	✓	✓	✓	✓	✓	✓	✓
RES3	✓	✓	✓	✓	✓	✓	✓	✓	✓	✓
RES4	✓	✓	✓	✓	✓	✓	✓	✓	✓	✓
TA12	✓	✓	✓	✓	✓	✓	✓	✓	✓	✓
TA16	✓	✓	✓	✓	✓	✓	✓	✓	✓	✓
TA21	✓	✓	✓	✓	✓	✓	✓	✓	✓	✓
TAB22	✓	✓	✓	✓	✓	✓	✓	✓	✓	✓
TB1	✓	✓	✓	✓	✓	✓	✓	✓	✓	✓
TB2	✓	✓	✓	✓	✓	✓	✓	✓	✓	✓
TB3	✓	✓	✓	✓	✓	✓	✓	✓	✓	✓
TB4	✓	✓	✓	✓	✓	✓	✓	✓	✓	✓
TB14	✓	✓	✓	✓	✓	✓	✓	✓	✓	✓
TB16	✓	✓	✓	✓	✓	✓	✓	✓	✓	✓
TB24	✓	✓	✓	✓	✓	✓	✓	✓	✓	✓
US13	✓	✓	✓	✓	✓	✓	✓	✓	✓	✓
US14	✓	✓	✓	✓	✓	✓	✓	✓	✓	✓
US15	✓	✓	✓	✓	✓	✓	✓	✓	✓	✓
WDG2	✓	✓	✓	✓	✓	✓	✓	✓	✓	✓

2 Preprogrammed Software Advisories

Advisories that affect factory-programmed software.

✓ The check mark indicates that the issue is present in the specified revision.

Errata Number	Rev AE	Rev AD	Rev AB	Rev AA	Rev S	Rev Q	Rev O	Rev N	Rev M	Rev L
BSL3	✓	✓	✓	✓	✓	✓	✓	✓	✓	✓
BSL4	✓	✓	✓	✓	✓	✓	✓	✓	✓	✓
BSL5	✓	✓	✓	✓	✓	✓	✓	✓	✓	✓

3 Debug Only Advisories

Advisories that affect only debug operation.

✓ The check mark indicates that the issue is present in the specified revision.

Errata Number	Rev AE	Rev AD	Rev AB	Rev AA	Rev S	Rev Q	Rev O	Rev N	Rev M	Rev L
EEM20	✓	✓	✓	✓	✓	✓	✓	✓	✓	✓

4 Fixed by Compiler Advisories

Advisories that are resolved by compiler workaround. Refer to each advisory for the IDE and compiler versions with a workaround.

✓ The check mark indicates that the issue is present in the specified revision.

Errata Number	Rev AE	Rev AD	Rev AB	Rev AA	Rev S	Rev Q	Rev O	Rev N	Rev M	Rev L
CPU4	✓	✓	✓	✓	✓	✓	✓	✓	✓	✓

Refer to the following MSP430 compiler documentation for more details about the CPU bugs workarounds.

TI MSP430 Compiler Tools (Code Composer Studio IDE)

- [MSP430 Optimizing C/C++ Compiler](#): Check the --silicon_errata option
- [MSP430 Assembly Language Tools](#)

MSP430 GNU Compiler (MSP430-GCC)

- [MSP430 GCC Options](#): Check -msilicon-errata= and -msilicon-errata-warn= options
- [MSP430 GCC User's Guide](#)

IAR Embedded Workbench

- [IAR workarounds for msp430 hardware issues](#)

5 Nomenclature, Package Symbolization, and Revision Identification

The revision of the device can be identified by the revision letter on the [Package Markings](#) or by the [HW_ID](#) located inside the TLV structure of the device.

5.1 Device Nomenclature

To designate the stages in the product development cycle, TI assigns prefixes to the part numbers of all MSP MCU devices. Each MSP MCU commercial family member has one of two prefixes: MSP or XMS. These prefixes represent evolutionary stages of product development from engineering prototypes (XMS) through fully qualified production devices (MSP).

XMS – Experimental device that is not necessarily representative of the final device's electrical specifications

MSP – Fully qualified production device

Support tool naming prefixes:

X: Development-support product that has not yet completed Texas Instruments internal qualification testing.

null: Fully-qualified development-support product.

XMS devices and X development-support tools are shipped against the following disclaimer:

"Developmental product is intended for internal evaluation purposes."

MSP devices have been characterized fully, and the quality and reliability of the device have been demonstrated fully. TI's standard warranty applies.

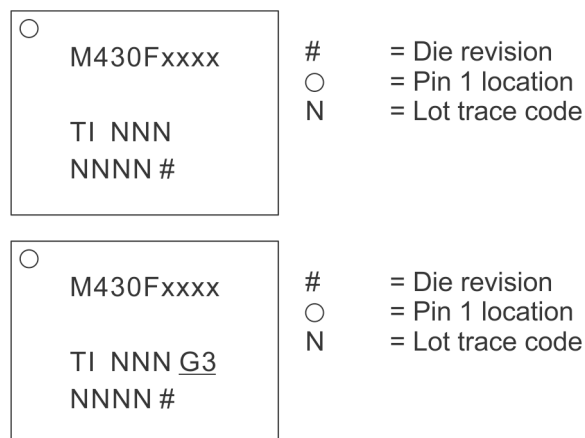
Predictions show that prototype devices (XMS) have a greater failure rate than the standard production devices. TI recommends that these devices not be used in any production system because their expected end-use failure rate still is undefined. Only qualified production devices are to be used.

TI device nomenclature also includes a suffix with the device family name. This suffix indicates the temperature range, package type, and distribution format.

5.2 Package Markings

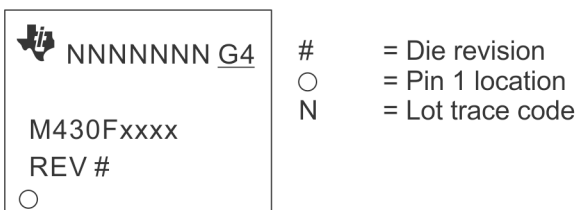
RTD64

QFN (RTD), 64 Pin



PM64

LQFP (PM), 64 Pin



5.3 Memory-Mapped Hardware Revision (TLV Structure)

This device does not support reading the hardware revision from memory.

Further guidance on how to locate the TLV structure and read out the HW_ID can be found in the device User's Guide.

6 Advisory Descriptions

BCL5 *BCL Module*

Category Functional

Function RSELx bit modifications can generate high frequency spikes on MCLK

Description When DIVMx = 00 or 01 the RSELx bits of the Basic Clock Module are incremented or decremented in steps of 2 or greater, the DCO output may momentarily generate high frequency spikes on MCLK, which may corrupt CPU operation. This is not an issue when DIVMx = 10 or 11.

Workaround Set DIVMx = 10 or 11 to divide the MCLK input prior to modifying RSELx. After the RSELx bits are configured as desired, the DIVMx setting can be changed back to the original selection.

BSL3 *BSL Module*

Category Software in ROM

Function Receiving framesBug

Description Receiving frames with a checksum value equal to a legal address can change the content of this address or the bootstrap loader may stop operation.

Workaround Software workaround is available as part of BSLDEMO.exe, found as part of the BSL-SCRIPTER download on the page for [MSPBSL](#).

BSL4 *BSL Module*

Category Software in ROM

Function Flash memory can not be programmed

Description The bootstrap loader software cannot program the flash memory.

Workaround Software workaround is available as part of BSLDEMO.exe, found as part of the BSL-SCRIPTER download on the page for [MSPBSL](#).

BSL5 *BSL Module*

Category Software in ROM

Function BSL might not start if RST/NMI pin is configured as NMI input

Description If the RST/NMI pin is configured to NMI, the bootstrap loader may not be started. Unpredictable operations will result.

Workaround None

CPU4 *CPU Module*

Category Compiler-Fixed

Function PUSH #4, PUSH #8

Description The single operand instruction PUSH cannot use the internal constants (CG) 4 and 8. The other internal constants (0, 1, 2, -1) can be used. The number of clock cycles is different:

PUSH #CG uses address mode 00, requiring 3 cycles, 1 word instruction
 PUSH #4/#8 uses address mode 11, requiring 5 cycles, 2 word instruction

Workaround Refer to the table below for compiler-specific fix implementation information.

IDE/Compiler	Version Number	Notes
IAR Embedded Workbench	IAR EW430 v2.x until v6.20	User is required to add the compiler flag option below. --hw_workaround=CPU4
IAR Embedded Workbench	IAR EW430 v6.20 or later	Workaround is automatically enabled
TI MSP430 Compiler Tools (Code Composer Studio)	v1.1 or later	
MSP430 GNU Compiler (MSP430-GCC)	MSP430-GCC 4.9 build 167 or later	

EEM20 *EEM Module*

Category Debug

Function Debugger might clear interrupt flags

Description During debugging read-sensitive interrupt flags might be cleared as soon as the debugger stops. This is valid in both single-stepping and free run modes.

Workaround None.

MPY2 *MPY Module*

Category Functional

Function Multiplier Result register corruption

Description Depending on the address of the write instruction, writing to the multiplier result registers (RESHI, RESLO, or SUMEXT) may corrupt the result registers. The address dependency varies between a 2-word and a 3-word instructions.

Workaround Ensure that a write instruction to an MPY result register (for example, mov.w #200, &RESHI) is not located at an address with the four least significant bits shown in Table 1:

Table 1. Sensitive Addresses for Write Access to MPY Result Registers MAB[3:0]

RESLOW 013Ah		RESHI 013Ch		SUMEXT 013Eh	
3 Word	2 Word	3 Word	2 Word	3 Word	2 Word
2	4	2	4	2	4
6	8	4	6	6	8
A	C	A	C	A	C
E	0	C	E	-	-

PORT3 *PORT Module*

Category	Functional
Function	Port interrupts can get lost
Description	Port interrupts can get lost if they occur during CPU access of the P1IFG and P2IFG registers.
Workaround	None

RES3 *RES Module*

Category	Functional
Function	Reset
Description	When RST/NMI is held low during power up of VCC, some internal drivers are not reset correctly. This may result in a high Icc current until the internal power-on signal has generated one clock cycle to reset the internal drivers. This limits the time when the excess current can occur to the time the power-up circuit is active.
Workaround	None

RES4 *RES Module*

Category	Functional
Function	No reset if external resistor exceeds certain value
Description	No reset of the device is performed if the external pull down resistor on RST/NMI pin is above a certain limit. The limits are: Vcc = 1.8V: maximum pull down resistor = 12 kohm Vcc = 3.0V: maximum pull down resistor = 5 kohm Vcc = 3.6V: maximum pull down resistor = 2.5 kohm In addition, a higher current consumption occurs during high/low RST/NMI signal transition when using improper resistors.
Workaround	Use external pulldown resistors below the listed values or directly drive RST/NMI low to generate a reset.

TA12 *TA Module*

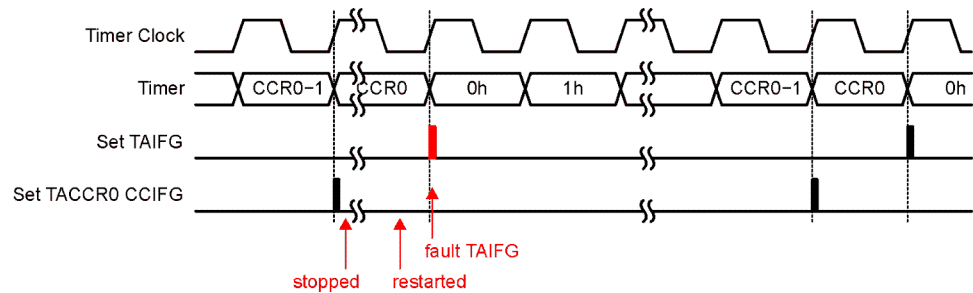
Category	Functional
Function	Interrupt is lost (slow ACLK)
Description	Timer_A counter is running with slow clock (external TACLK or ACLK) compared to MCLK. The compare mode is selected for the capture/compare channel and the CCRx register is incremented by one with the occurring compare interrupt (if TAR = CCRx). Due to the fast MCLK the CCRx register increment (CCRx = CCRx+1) happens before the Timer_A counter has incremented again. Therefore the next compare interrupt should happen at once with the next Timer_A counter increment (if TAR = CCRx + 1). This interrupt gets lost.
Workaround	Switch capture/compare mode to capture mode before the CCRx register increment. Switch back to compare mode afterwards.

TA16 *TA Module*

Category	Functional
Function	First increment of TAR erroneous when IDx > 00
Description	The first increment of TAR after any timer clear event (POR/TACLr) happens immediately following the first positive edge of the selected clock source (INCLK, SMCLK, ACLK or TACLK). This is independent of the clock input divider settings (ID0, ID1). All following TAR increments are performed correctly with the selected IDx settings.
Workaround	None

TA21 *TA Module*

Category	Functional
Function	TAIFG Flag is erroneously set after Timer A restarts in Up Mode
Description	In Up Mode, the TAIFG flag should only be set when the timer counts from TACCR0 to zero. However, if the Timer A is stopped at TAR = TACCR0, then cleared (TAR=0) by setting the TACLr bit, and finally restarted in Up Mode, the next rising edge of the TACLK will erroneously set the TAIFG flag.



Workaround	None.
-------------------	-------

TAB22 *TAB Module*

Category	Functional
Function	Timer_A/Timer_B register modification after Watchdog Timer PUC
Description	Unwanted modification of the Timer_A/Timer_B registers TACTL/TBCTL and TAIV/TBIV can occur when a PUC is generated by the Watchdog Timer(WDT) in Watchdog mode and any Timer_A/Timer_B counter register TACCRx/TBCCRx is incremented/decremented (Timer_A/Timer_B does not need to be running).

Workaround Initialize TACTL/TBCTL register after the reset occurs using a MOV instruction (BIS/BIC may not fully initialize the register). TAIV/TBIV is automatically cleared following this initialization.

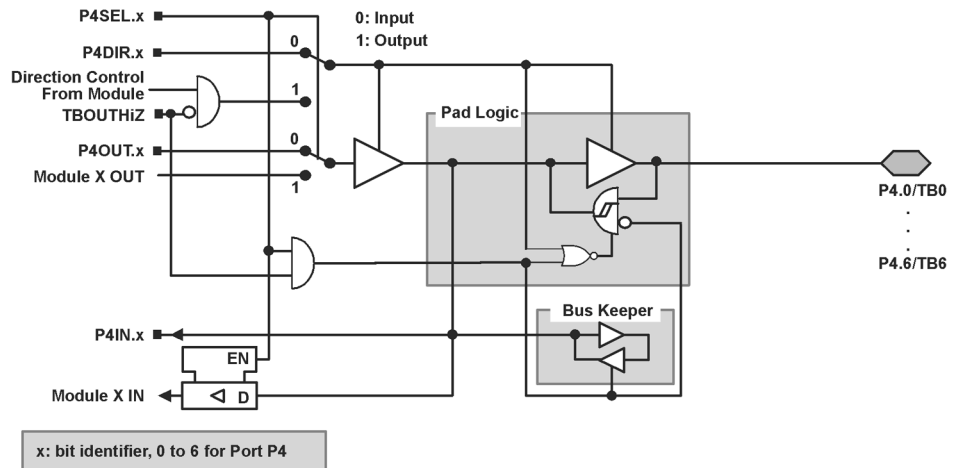
Example code:

```
MOV.W #VAL, &TACTL
or
MOV.W #VAL, &TBCTL
```

Where, VAL=0, if Timer is not used in application otherwise, user defined per desired function.

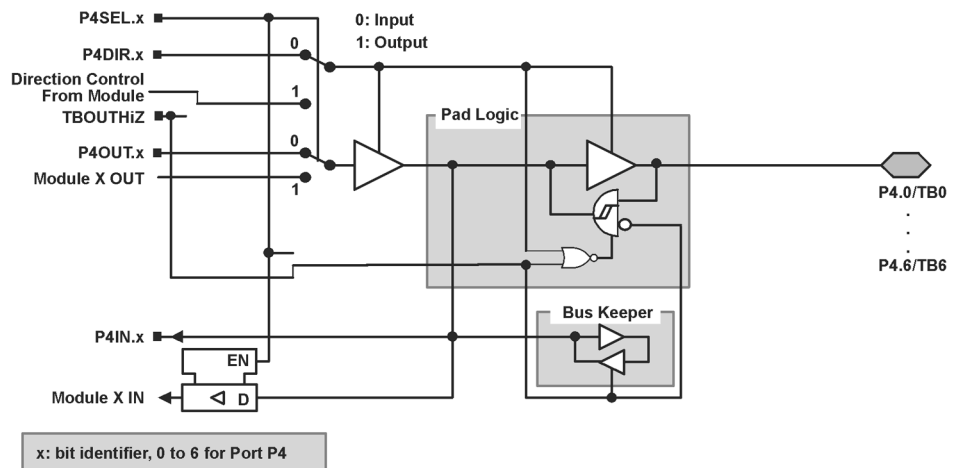
TB1	<i>TB Module</i>
Category	Functional
Function	"Equal mode" when grouping compare latches
Description	The "equal mode" for loading the compare latches (CLLD = 3) cannot be used when compare latches are grouped (TBCLGRP > 0).
Workaround	None
TB2	<i>TB Module</i>
Category	Functional
Function	Interrupt is lost (slow ACLK)
Description	Timer_B counter is running with slow clock (external TBCLK or ACLK) compared to MCLK. The compare mode is selected for the capture/compare channel and the CCRx register is incremented by 1 with the occurring compare interrupt (if TBR = CCRx). Due to the fast MCLK, the CCRx register increment (CCRx = CCRx + 1) happens before the Timer_B counter has incremented again. Therefore, the next compare interrupt should happen at once with the next Timer_B counter increment (if TBR = CCRx + 1). This interrupt is lost.
Workaround	Switch capture/compare mode to capture mode before the CCRx register increment. Switch back to compare mode afterward.
TB3	<i>TB Module</i>
Category	Functional
Function	Timer_B Port is switched to 3-state independent of selected function
Description	Incorrect 3-state function of Ports P4.0/TB0 through P4.6/TB6 (TBoutHiZ control). If TBoutHiZ is set to high, all ports P4.0/TB0 through P4.6/TB6 are set to 3-state, independent of the P4SEL.x control signals. This means a port P4.x is switched to 3-state with TBoutHiZ, even if it is not selected for Timer_B function. In addition, the ports P4.0/TB0 through P4.6/TB6 are switched to 3-state with TBoutHiZ, even if the port direction (direction control from module) is set to input. This is in accordance with the specification description but, nevertheless, is an unexpected behavior.
Workaround	No workaround. Port function as specified

port P4, P4.0 to P4.6, input/output with Schmitt-trigger



Port Realization With TB3 Bug

port P4, P4.0 to P4.6, input/output with Schmitt-trigger



TB4

TB Module

Category

Functional

Function

Group function

Description

If the shadow registers are organized in groups (SHR = 1, 2, or 3), one shadow register is not loaded correctly. This happens when the last CCRx register within a group is loaded at exactly the same time that the timer counter reaches the event for loading the shadow registers (TBR = 0 or TBR = CCR0).

Workaround

Ensure that all CCRx registers within a group are loaded before the shadow register load event occurs.

TB14

TB Module

Category

Functional

Function

PWM output

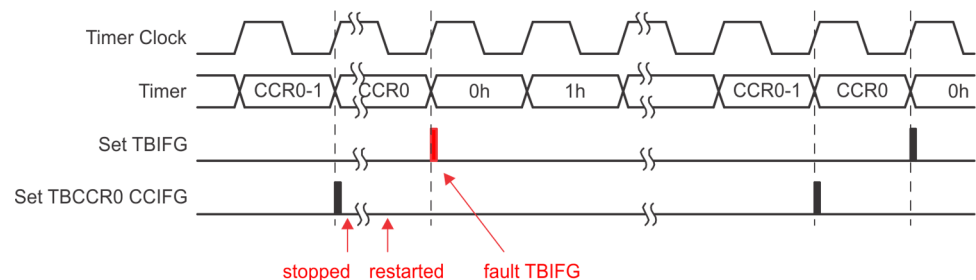
Description	<p>The PWM output unit may behave erroneously if the condition for changing the PWM output (EQUx or EQU0) and the condition for loading the shadow register TBCLx happen at the same time. Depending on the load condition for the shadow registers (CLLD bits in TBCCTLx), there are four possible error conditions:</p> <ol style="list-style-type: none"> 1. Change CCRx register from any value to CCRx = 0 (for example, sequence for CCRx = 4 3 2 0 0 0) 2. Change CCRx register from CCRx = 0 to any value (for example, sequence for CCRx = 0 0 0 2 3 4) 3. Change CCRx register from any value to current SHD0 (CCR0) value (for example, sequence for CCRx = 4 2 5 SHD0 3 8) 4. Change CCRx register from current SHD0 (CCR0) value to any value (for example, sequence for CCRx = 4 2 SHD0 5 3 8)
Workaround	No general workaround available.

TB16 *TB Module*

Category	Functional
Function	First increment of TBR erroneous when IDx > 00
Description	<p>The first increment of TBR after any timer clear event (POR/TBCLR) happens immediately following the first positive edge of the selected clock source (INCLK, SMCLK, ACLK, or TBCLK). This is independent of the clock input divider settings (ID0, ID1). All following TBR increments are performed correctly with the selected IDx settings.</p>
Workaround	None

TB24 *TB Module*

Category	Functional
Function	TBIFG Flag is erroneously set after Timer B restarts in Up Mode
Description	<p>In Up Mode, the TBIFG flag should only be set when the timer resets from TBCCR0 to zero. However, if the Timer B is stopped at TBR = TBCCR0, then cleared (TBR=0) by setting the TBCLR bit, and finally restarted in Up Mode, the next rising edge of the TBCLK will erroneously set the TBIFG flag.</p>



Workaround	None.
-------------------	-------

US13 *USART Module*

Category	Functional
Function	Unpredictable program execution

Description USART interrupts requested by URXS can result in unpredictable program execution if this request is not served within two bit times of the received data.

Workaround Ensure that the interrupt service routine is entered within two bit times of the received data.

US14 ***USART Module***

Category Functional

Function Start edge of received characters may be ignored

Description When using the USART in UART mode with UxBR0 = 0x03 and UxBR1 = 0x00, the start edge of received characters may be ignored due to internal timing conflicts within the UART state machine. This condition does not apply when UxBR0 is > 0x03.

Workaround None

US15 ***USART Module***

Category Functional

Function UART receive with two stop bits

Description USART hardware does not detect a missing second stop bit when SPB = 1. The Framing Error Flag (FE) will not be set under this condition and erroneous data reception may occur.

Workaround None (Configure USART for a single stop bit, SPB = 0)

WDG2 ***WDG Module***

Category Functional

Function Incorrectly accessing a flash control register

Description If a key violation is caused by incorrectly accessing a flash control register, the watchdog interrupt flag is set in addition to the expected PUC.

Workaround None

7 Revision History

NOTE: Page numbers for previous revisions may differ from page numbers in the current version.

Changes from October 9, 2019 to May 11, 2021	Page
<ul style="list-style-type: none">Changed the document format and structure; updated the numbering format for tables, figures, and cross references throughout the document.....	6

IMPORTANT NOTICE AND DISCLAIMER

TI PROVIDES TECHNICAL AND RELIABILITY DATA (INCLUDING DATASHEETS), DESIGN RESOURCES (INCLUDING REFERENCE DESIGNS), APPLICATION OR OTHER DESIGN ADVICE, WEB TOOLS, SAFETY INFORMATION, AND OTHER RESOURCES "AS IS" AND WITH ALL FAULTS, AND DISCLAIMS ALL WARRANTIES, EXPRESS AND IMPLIED, INCLUDING WITHOUT LIMITATION ANY IMPLIED WARRANTIES OF MERCHANTABILITY, FITNESS FOR A PARTICULAR PURPOSE OR NON-INFRINGEMENT OF THIRD PARTY INTELLECTUAL PROPERTY RIGHTS.

These resources are intended for skilled developers designing with TI products. You are solely responsible for (1) selecting the appropriate TI products for your application, (2) designing, validating and testing your application, and (3) ensuring your application meets applicable standards, and any other safety, security, or other requirements. These resources are subject to change without notice. TI grants you permission to use these resources only for development of an application that uses the TI products described in the resource. Other reproduction and display of these resources is prohibited. No license is granted to any other TI intellectual property right or to any third party intellectual property right. TI disclaims responsibility for, and you will fully indemnify TI and its representatives against, any claims, damages, costs, losses, and liabilities arising out of your use of these resources.

TI's products are provided subject to TI's Terms of Sale (<https://www.ti.com/legal/termsofsale.html>) or other applicable terms available either on [ti.com](https://www.ti.com) or provided in conjunction with such TI products. TI's provision of these resources does not expand or otherwise alter TI's applicable warranties or warranty disclaimers for TI products.

Mailing Address: Texas Instruments, Post Office Box 655303, Dallas, Texas 75265
Copyright © 2021, Texas Instruments Incorporated