

ECCN 5E002 TSPA - Technology / Software Publicly Available.

RF430 Family

User's Guide



Literature Number: SLAU378
August 2012

ECCN 5E002 TSPA - Technology / Software Publicly Available.

Preface	34
1 System Resets, Interrupts, and Operating Modes, System Control Module (SYS)	36
1.1 System Control Module (SYS) Introduction	37
1.2 System Reset and Initialization	37
1.2.1 Device Initial Conditions After System Reset	39
1.3 Interrupts	39
1.3.1 (Non)Maskable Interrupts (NMIs)	40
1.3.2 SNMI Timing	41
1.3.3 Maskable Interrupts	42
1.3.4 Interrupt Processing	42
1.3.5 Interrupt Nesting	43
1.3.6 Interrupt Vectors	43
1.3.7 SYS Interrupt Vector Generators	44
1.4 Operating Modes	45
1.4.1 Entering and Exiting Low-Power Modes LPM0 Through LPM4	48
1.4.2 Entering and Exiting Low-Power Modes LPMx.5	48
1.4.3 Extended Time in Low-Power Modes	49
1.5 Principles for Low-Power Applications	50
1.6 Connection of Unused Pins	50
1.7 Reset Pin (RST /NMI) Configuration	51
1.8 Configuring JTAG pins	51
1.9 Boot Code	51
1.10 Bootstrap Loader (BSL)	51
1.11 Memory Map – Uses and Abilities	53
1.11.1 Vacant Memory Space	53
1.11.2 JTAG Lock Mechanism via the Electronic Fuse	53
1.12 JTAG Mailbox (JMB) System	54
1.12.1 JMB Configuration	54
1.12.2 JMBOUT0 and JMBOUT1 Outgoing Mailbox	54
1.12.3 JMBIN0 and JMBIN1 Incoming Mailbox	54
1.12.4 JMB NMI Usage	55
1.13 Device Descriptor Table	55
1.13.1 Identifying Device Type	56
1.13.2 TLV Descriptors	57
1.13.3 Peripheral Discovery Descriptor	58
1.13.4 CRC Computation	62
1.13.5 Calibration Values	63
1.14 SFR Registers	65
1.14.1 SFRIE1 Register	66
1.14.2 SFRIFG1 Register	67
1.14.3 SFRRPCR Register	69
1.15 SYS Registers	70
1.15.1 SYSCTL Register	71
1.15.2 SYSBSLC Register	72
1.15.3 SYSJMBC Register	73

1.15.4	SYSJMBI0 Register	74
1.15.5	SYSJMBI1 Register	74
1.15.6	SYSJMBO0 Register	75
1.15.7	SYSJMBO1 Register	75
1.15.8	SYSUNIV Register	76
1.15.9	SYSSNIV Register	77
1.15.10	SYSRSTIV Register	78
1.15.11	SYSBERRIV Register	79
2	Power Management Module and Supply Voltage Supervisor	80
2.1	Power Management Module (PMM) Introduction	81
2.2	PMM Operation	83
2.2.1	V _{CORE} and the Regulator	83
2.2.2	Supply Voltage Supervisor and Monitor	83
2.2.3	Supply Voltage Supervisor and Monitor - Power-Up	89
2.2.4	Increasing V _{CORE} to Support Higher MCLK Frequencies	89
2.2.5	Decreasing V _{CORE} for Power Optimization	91
2.2.6	Transition From LPM3 and LPM4 Modes to AM	91
2.2.7	LPM3.5 and LPM4.5	91
2.2.8	Brownout Reset (BOR), Software BOR, Software POR	91
2.2.9	SVS and SVM Performance Modes and Wakeup Times	92
2.2.10	PMM Interrupts	95
2.2.11	Port I/O Control	95
2.2.12	Supply Voltage Monitor Output (SVMOUT, Optional)	95
2.3	PMM Registers	96
2.3.1	PMMCTL0 Register	97
2.3.2	PMMCTL1 Register	98
2.3.3	SVSMHCTL Register	99
2.3.4	SVSMLCTL Register	100
2.3.5	SVSMIO Register	101
2.3.6	PMMIFG Register	102
2.3.7	PMMRIE Register	104
2.3.8	PM5CTL0 Register	105
3	Unified Clock System (UCS)	106
3.1	Unified Clock System (UCS) Introduction	107
3.2	UCS Operation	109
3.2.1	UCS Module Features for Low-Power Applications	109
3.2.2	Internal Very-Low-Power Low-Frequency Oscillator (VLO)	109
3.2.3	Internal Trimmed Low-Frequency Reference Oscillator (REFO)	110
3.2.4	XT1 Oscillator	110
3.2.5	RF XT2 Oscillator	111
3.2.6	Digitally-Controlled Oscillator (DCO)	111
3.2.7	Frequency Locked Loop (FLL)	111
3.2.8	DCO Modulator	112
3.2.9	Disabling FLL Hardware and Modulator	113
3.2.10	FLL Operation From Low-Power Modes	113
3.2.11	Operation From Low-Power Modes, Requested by Peripheral Modules	113
3.2.12	UCS Module Fail-Safe Operation	115
3.2.13	Synchronization of Clock Signals	118
3.3	Module Oscillator (MODOSC)	119
3.3.1	MODOSC Operation	119
3.4	UCS Module Registers	120
3.4.1	UCSCTL0 Register	121
3.4.2	UCSCTL1 Register	122

3.4.3	UCSCTL2 Register	123
3.4.4	UCSCTL3 Register	124
3.4.5	UCSCTL4 Register	125
3.4.6	UCSCTL5 Register	126
3.4.7	UCSCTL6 Register	128
3.4.8	UCSCTL7 Register	129
3.4.9	UCSCTL8 Register	130
3.4.10	UCSCTL9 Register	131
4	CPUX	132
4.1	MSP430X CPU (CPUX) Introduction	133
4.2	Interrupts	135
4.3	CPU Registers	136
4.3.1	Program Counter (PC)	136
4.3.2	Stack Pointer (SP)	136
4.3.3	Status Register (SR)	138
4.3.4	Constant Generator Registers (CG1 and CG2)	139
4.3.5	General-Purpose Registers (R4 –R15)	140
4.4	Addressing Modes	142
4.4.1	Register Mode	143
4.4.2	Indexed Mode	144
4.4.3	Symbolic Mode	148
4.4.4	Absolute Mode	153
4.4.5	Indirect Register Mode	155
4.4.6	Indirect Autoincrement Mode	156
4.4.7	Immediate Mode	157
4.5	MSP430 and MSP430X Instructions	159
4.5.1	MSP430 Instructions	159
4.5.2	MSP430X Extended Instructions	164
4.6	Instruction Set Description	175
4.6.1	Extended Instruction Binary Descriptions	176
4.6.2	MSP430 Instructions	178
4.6.3	Extended Instructions	230
4.6.4	Address Instructions	273
5	Flash Memory Controller	288
5.1	Flash Memory Introduction	289
5.2	Flash Memory Segmentation	290
5.2.1	Segment A	291
5.3	Flash Memory Operation	292
5.3.1	Erasing Flash Memory	292
5.3.2	Writing Flash Memory	296
5.3.3	Flash Memory Access During Write or Erase	303
5.3.4	Stopping Write or Erase Cycle	304
5.3.5	Checking Flash Memory	304
5.3.6	Configuring and Accessing the Flash Memory Controller	305
5.3.7	Flash Memory Controller Interrupts	305
5.3.8	Programming Flash Memory Devices	306
5.4	FCTL Registers	307
5.4.1	FCTL1 Register	308
5.4.2	FCTL3 Register	309
5.4.3	FCTL4 Register	310
5.4.4	SFRIF1 Register	311
6	RAM Controller (RAMCTL)	312
6.1	RAM Controller (RAMCTL) Introduction	313

6.2	RAMCTL Operation	313
6.3	RAMCTL Registers	314
6.3.1	RCCTL0 Register	315
7	Direct Memory Access (DMA) Controller Module	316
7.1	Direct Memory Access (DMA) Introduction	317
7.2	DMA Operation	319
7.2.1	DMA Addressing Modes	319
7.2.2	DMA Transfer Modes	319
7.2.3	Initiating DMA Transfers	325
7.2.4	Halting Executing Instructions for DMA Transfers	325
7.2.5	Stopping DMA Transfers	326
7.2.6	DMA Channel Priorities	326
7.2.7	DMA Transfer Cycle Time	327
7.2.8	Using DMA With System Interrupts	327
7.2.9	DMA Controller Interrupts	327
7.2.10	Using the USCI_B I ² C Module With the DMA Controller	329
7.2.11	Using ADC12 With the DMA Controller	329
7.2.12	Using DAC12 With the DMA Controller	329
7.3	DMA Registers	330
7.3.1	DMACTL0 Register	332
7.3.2	DMACTL1 Register	333
7.3.3	DMACTL2 Register	334
7.3.4	DMACTL3 Register	335
7.3.5	DMACTL4 Register	336
7.3.6	DMAxCTL Register	337
7.3.7	DMAxSA Register	339
7.3.8	DMAxDA Register	340
7.3.9	DMAxSZ Register	341
7.3.10	DMAIV Register	342
8	Digital I/O Module	343
8.1	Digital I/O Introduction	344
8.2	Digital I/O Operation	345
8.2.1	Input Registers (PxIN)	345
8.2.2	Output Registers (PxOUT)	345
8.2.3	Direction Registers (PxDIR)	345
8.2.4	Pullup or Pulldown Resistor Enable Registers (PxREN)	345
8.2.5	Output Drive Strength Registers (PxDS)	346
8.2.6	Function Select Registers (PxSEL)	346
8.2.7	Port Interrupts	346
8.2.8	Configuring Unused Port Pins	348
8.3	I/O Configuration and LPMx.5 Low-Power Modes	348
8.4	Digital I/O Registers	350
8.4.1	P1IV Register	356
8.4.2	P2IV Register	357
8.4.3	P1IES Register	358
8.4.4	P1IE Register	358
8.4.5	P1IFG Register	358
8.4.6	P2IES Register	359
8.4.7	P2IE Register	359
8.4.8	P2IFG Register	359
8.4.9	PxIN Register	360
8.4.10	PxOUT Register	360
8.4.11	PxDIR Register	360

8.4.12	PxREN Register	361
8.4.13	PxDS Register	361
8.4.14	PxSEL Register	361
9	Port Mapping Controller	362
9.1	Port Mapping Controller Introduction	363
9.2	Port Mapping Controller Operation	363
9.2.1	Access	363
9.2.2	Mapping	363
9.3	Port Mapping Controller Registers	365
9.3.1	PMAPKEYID Register	366
9.3.2	PMAPCTL Register	366
9.3.3	PxMAPy Register	366
10	Cyclic Redundancy Check (CRC) Module	367
10.1	Cyclic Redundancy Check (CRC) Module Introduction	368
10.2	CRC Standard and Bit Order	368
10.3	CRC Checksum Generation	369
10.3.1	CRC Implementation	369
10.3.2	Assembler Examples	370
10.4	CRC Registers	372
10.4.1	CRCDI Register	373
10.4.2	CRCDIRB Register	373
10.4.3	CRCINIRES Register	374
10.4.4	CRCRESR Register	374
11	AES Accelerator	375
11.1	AES Accelerator Introduction	376
11.2	AES Accelerator Operation	377
11.2.1	Encryption	378
11.2.2	Decryption	379
11.2.3	Decryption Key Generation	380
11.2.4	Using the AES Accelerator With Low-Power Modes	381
11.2.5	AES Accelerator Interrupts	381
11.2.6	Implementing Block Cipher Modes	381
11.3	AES_ACCEL Registers	382
11.3.1	AESACTL0 Register	383
11.3.2	AESACTL1 Register	384
11.3.3	AESASTAT Register	385
11.3.4	AESAKEY Register	386
11.3.5	AESADIN Register	387
11.3.6	AESADOUT Register	387
11.3.7	AESAXDIN Register	388
11.3.8	AESAXIN Register	388
12	Watchdog Timer (WDT_A)	389
12.1	WDT_A Introduction	390
12.2	WDT_A Operation	392
12.2.1	Watchdog Timer Counter (WDTCNT)	392
12.2.2	Watchdog Mode	392
12.2.3	Interval Timer Mode	392
12.2.4	Watchdog Timer Interrupts	392
12.2.5	Clock Fail-Safe Feature	393
12.2.6	Operation in Low-Power Modes	393
12.2.7	Software Examples	393
12.3	WDT_A Registers	394

12.3.1	WDTCTL Register	395
13	Timer_A	396
13.1	Timer_A Introduction	397
13.2	Timer_A Operation	399
13.2.1	16-Bit Timer Counter	399
13.2.2	Starting the Timer	399
13.2.3	Timer Mode Control	400
13.2.4	Capture/Compare Blocks	403
13.2.5	Output Unit	405
13.2.6	Timer_A Interrupts	409
13.3	Timer_A Registers	411
13.3.1	TAXCTL Register	412
13.3.2	TAXR Register	413
13.3.3	TAXCCTLn Register	414
13.3.4	TAXCCRN Register	416
13.3.5	TAXIV Register	416
13.3.6	TAXEX0 Register	417
14	Real-Time Clock (RTC_A)	418
14.1	RTC_A Introduction	419
14.2	RTC_A Operation	421
14.2.1	Counter Mode	421
14.2.2	Calendar Mode	421
14.2.3	Real-Time Clock Interrupts	423
14.2.4	Real-Time Clock Calibration	425
14.3	RTC_A Registers	427
14.3.1	RTCCTL0 Register	429
14.3.2	RTCCTL1 Register	430
14.3.3	RTCCTL2 Register	431
14.3.4	RTCCTL3 Register	431
14.3.5	RTCNT1 Register	432
14.3.6	RTCNT2 Register	432
14.3.7	RTCNT3 Register	432
14.3.8	RTCNT4 Register	432
14.3.9	RTCSEC Register – Calendar Mode With Hexadecimal Format	433
14.3.10	RTCSEC Register – Calendar Mode With BCD Format	433
14.3.11	RTCMIN Register – Calendar Mode With Hexadecimal Format	434
14.3.12	RTCMIN Register – Calendar Mode With BCD Format	434
14.3.13	RTCHOUR Register – Calendar Mode With Hexadecimal Format	435
14.3.14	RTCHOUR Register – Calendar Mode With BCD Format	435
14.3.15	RTCDOW Register – Calendar Mode	436
14.3.16	RTCDAY Register – Calendar Mode With Hexadecimal Format	436
14.3.17	RTCDAY Register – Calendar Mode With BCD Format	436
14.3.18	RTCMON Register – Calendar Mode With Hexadecimal Format	437
14.3.19	RTCMON Register – Calendar Mode With BCD Format	437
14.3.20	RTCYEARL Register – Calendar Mode With Hexadecimal Format	438
14.3.21	RTCYEARL Register – Calendar Mode With BCD Format	438
14.3.22	RTCYEARH Register – Calendar Mode With Hexadecimal Format	439
14.3.23	RTCYEARH Register – Calendar Mode With BCD Format	439
14.3.24	RTCAMIN Register – Calendar Mode With Hexadecimal Format	440
14.3.25	RTCAMIN Register – Calendar Mode With BCD Format	440
14.3.26	RTCAHOUR Register – Calendar Mode With Hexadecimal Format	441
14.3.27	RTCAHOUR Register – Calendar Mode With BCD Format	441
14.3.28	RTCADOW Register	442

14.3.29	RTCADAY Register – Calendar Mode With Hexadecimal Format	442
14.3.30	RTCADAY Register – Calendar Mode With BCD Format	442
14.3.31	RTCPS0CTL Register	443
14.3.32	RTCPS1CTL Register	444
14.3.33	RT0PS Register	445
14.3.34	RT1PS Register	445
14.3.35	RTCIV Register	445
15	32-Bit Hardware Multiplier (MPY32)	446
15.1	32-Bit Hardware Multiplier (MPY32) Introduction	447
15.2	MPY32 Operation	449
15.2.1	Operand Registers	450
15.2.2	Result Registers	451
15.2.3	Software Examples	452
15.2.4	Fractional Numbers	453
15.2.5	Putting It All Together	456
15.2.6	Indirect Addressing of Result Registers	459
15.2.7	Using Interrupts	459
15.2.8	Using DMA	460
15.3	MPY32 Registers	461
15.3.1	MPY32CTL0 Register	463
16	REF	464
16.1	REF Introduction	465
16.2	Principle of Operation	467
16.2.1	Low-Power Operation	467
16.2.2	REFCTL	468
16.2.3	Reference System Requests	469
16.3	REF Registers	471
16.3.1	REFCTL0 Register (offset = 00h) [reset = 0080h]	472
17	ADC12_A	474
17.1	ADC12_A Introduction	475
17.2	ADC12_A Operation	478
17.2.1	12-Bit ADC Core	478
17.2.2	ADC12_A Inputs and Multiplexer	478
17.2.3	Voltage Reference Generator	479
17.2.4	Auto Power Down	480
17.2.5	Sample and Conversion Timing	480
17.2.6	Conversion Memory	482
17.2.7	ADC12_A Conversion Modes	482
17.2.8	Using the Integrated Temperature Sensor	488
17.2.9	ADC12_A Grounding and Noise Considerations	489
17.2.10	ADC12_A Interrupts	490
17.3	ADC12_A Registers	492
17.3.1	ADC12CTL0 Register	494
17.3.2	ADC12CTL1 Register	496
17.3.3	ADC12CTL2 Register	497
17.3.4	ADC12MEMx Register	498
17.3.5	ADC12MCTLx Register	499
17.3.6	ADC12IE Register	500
17.3.7	ADC12IFG Register	502
17.3.8	ADC12IV Register	504
18	Comp_B	505
18.1	Comp_B Introduction	506

18.2	Comp_B Operation	507
18.2.1	Comparator	507
18.2.2	Analog Input Switches	507
18.2.3	Port Logic	507
18.2.4	Input Short Switch	507
18.2.5	Output Filter	508
18.2.6	Reference Voltage Generator	509
18.2.7	Comp_B, Port Disable Register CBPD	510
18.2.8	Comp_B Interrupts	510
18.2.9	Comp_B Used to Measure Resistive Elements	510
18.3	Comp_B Registers	512
18.3.1	CBCTL0 Register	513
18.3.2	CBCTL1 Register	514
18.3.3	CBCTL2 Register	516
18.3.4	CBCTL3 Register	517
18.3.5	CBINT Register	519
18.3.6	CBIV Register	520
19	Universal Serial Communication Interface – UART Mode	521
19.1	Universal Serial Communication Interface (USCI) Overview	522
19.2	USCI Introduction – UART Mode	523
19.3	USCI Operation – UART Mode	525
19.3.1	USCI Initialization and Reset	525
19.3.2	Character Format	525
19.3.3	Asynchronous Communication Format	525
19.3.4	Automatic Baud-Rate Detection	528
19.3.5	IrDA Encoding and Decoding	529
19.3.6	Automatic Error Detection	530
19.3.7	USCI Receive Enable	531
19.3.8	USCI Transmit Enable	531
19.3.9	UART Baud-Rate Generation	532
19.3.10	Setting a Baud Rate	534
19.3.11	Transmit Bit Timing	534
19.3.12	Receive Bit Timing	535
19.3.13	Typical Baud Rates and Errors	536
19.3.14	Using the USCI Module in UART Mode With Low-Power Modes	539
19.3.15	USCI Interrupts	539
19.4	USCI_A UART Mode Registers	541
19.4.1	UCAxCTL0 Register	542
19.4.2	UCAxCTL1 Register	543
19.4.3	UCAxBR0 Register	544
19.4.4	UCAxBR1 Register	544
19.4.5	UCAxMCTL Register	544
19.4.6	UCAxSTAT Register	545
19.4.7	UCAxRXBUF Register	546
19.4.8	UCAxTXBUF Register	546
19.4.9	UCAxIRTCTL Register	547
19.4.10	UCAxIRRCTL Register	547
19.4.11	UCAxABCTL Register	548
19.4.12	UCAxIE Register	549
19.4.13	UCAxIFG Register	549
19.4.14	UCAxIV Register	550
20	Universal Serial Communication Interface – SPI Mode	551
20.1	Universal Serial Communication Interface (USCI) Overview	552

20.2	USCI Introduction – SPI Mode	553
20.3	USCI Operation – SPI Mode	555
20.3.1	USCI Initialization and Reset	555
20.3.2	Character Format	555
20.3.3	Master Mode	556
20.3.4	Slave Mode	557
20.3.5	SPI Enable	557
20.3.6	Serial Clock Control	558
20.3.7	Using the SPI Mode With Low-Power Modes	558
20.3.8	SPI Interrupts	559
20.4	USCI_A SPI Mode Registers	560
20.4.1	UCAxCTL0 Register	561
20.4.2	UCAxCTL1 Register	562
20.4.3	UCAxBR0 Register	563
20.4.4	UCAxBR1 Register	563
20.4.5	UCAxMCTL Register	563
20.4.6	UCAxSTAT Register	564
20.4.7	UCAxRXBUF Register	565
20.4.8	UCAxTXBUF Register	565
20.4.9	UCAxIE Register	566
20.4.10	UCAxIFG Register	566
20.4.11	UCAxIV Register	567
20.5	USCI_B SPI Mode Registers	568
20.5.1	UCBxCTL0 Register	569
20.5.2	UCBxCTL1 Register	570
20.5.3	UCBxBR0 Register	571
20.5.4	UCBxBR1 Register	571
20.5.5	UCBxMCTL Register	571
20.5.6	UCBxSTAT Register	572
20.5.7	UCBxRXBUF Register	573
20.5.8	UCBxTXBUF Register	573
20.5.9	UCBxIE Register	574
20.5.10	UCBxIFG Register	574
20.5.11	UCBxIV Register	575
21	Universal Serial Communication Interface – I²C Mode	576
21.1	Universal Serial Communication Interface (USCI) Overview	577
21.2	USCI Introduction – I ² C Mode	578
21.3	USCI Operation – I ² C Mode	579
21.3.1	USCI Initialization and Reset	580
21.3.2	I ² C Serial Data	580
21.3.3	I ² C Addressing Modes	582
21.3.4	I ² C Module Operating Modes	583
21.3.5	I ² C Clock Generation and Synchronization	594
21.3.6	Using the USCI Module in I ² C Mode With Low-Power Modes	595
21.3.7	USCI Interrupts in I ² C Mode	595
21.4	USCI_B I2C Mode Registers	598
21.4.1	UCBxCTL0 Register	599
21.4.2	UCBxCTL1 Register	600
21.4.3	UCBxBR0 Register	601
21.4.4	UCBxBR1 Register	601
21.4.5	UCBxSTAT Register	602
21.4.6	UCBxRXBUF Register	603
21.4.7	UCBxTXBUF Register	603

21.4.8	UCBxI2COA Register	604
21.4.9	UCBxI2CSA Register	604
21.4.10	UCBxIE Register	605
21.4.11	UCBxIFG Register	606
21.4.12	UCBxIV Register	607
22	CC1101-Based Radio Module (RF1A)	608
22.1	Radio Module Introduction	609
22.2	Radio Interface Operation	610
22.2.1	Radio Interface	610
22.2.2	Radio Interface Interrupts	616
22.2.3	Radio Core Interrupts	616
22.2.4	Using Radio With Low-Power Modes	617
22.2.5	Radio Interrupt Handling	617
22.2.6	Software Considerations	620
22.3	CC1101-Based Radio Core	622
22.3.1	Differences From CC1101	622
22.3.2	Instruction Set for CC1101-Based Radio Core	623
22.3.3	Radio-Core Operation	626
22.3.4	System Considerations and Guidelines	647
22.3.5	Radio Core Registers	651
22.4	RF1A Registers	674
22.4.1	RF1AIFCTL0 Register	676
22.4.2	RF1AIFCTL1 Register	677
22.4.3	RF1AIFERR Register	678
22.4.4	RF1AIFERRV Register	679
22.4.5	RF1AIFIV Register	679
22.4.6	RF1AIN Register	680
22.4.7	RF1AIFG Register	680
22.4.8	RF1AIES Register	681
22.4.9	RF1AIE Register	681
22.4.10	RF1AIV Register	682
23	Embedded Emulation Module (EEM)	683
23.1	Embedded Emulation Module (EEM) Introduction	684
23.2	EEM Building Blocks	686
23.2.1	Triggers	686
23.2.2	Trigger Sequencer	686
23.2.3	State Storage (Internal Trace Buffer)	686
23.2.4	Cycle Counter	686
23.2.5	Clock Control	687
23.3	EEM Configurations	687
24	Low-Frequency Wake-Up Receiver	688
24.1	Glossary	689
24.2	3D Low-Frequency (LF) Wake-Up and Communication Radio	689
24.2.1	Basic Block Diagram	689
24.2.2	RF430 Internal Connections	690
24.3	EEPROM Memory Content	691
24.3.1	Bank and Page Address and Action Notation	691
24.3.2	Transponder Bank 7	691
24.3.3	User Banks 0 to 3	692
24.3.4	Lock Bits	692
24.3.5	Unique Serial Number Page, MEM[7:2]	695
24.3.6	Address Page, MEM[7:4]	696
24.3.7	Customer Device Configuration MEM[7:5]	697

24.3.8	Vehicle ID MEM[7:6]	697
24.3.9	Wake Pattern A/B Configuration MEM[7:7] and MEM[7:9]	698
24.3.10	Wake Receiver Sensitivity Configuration MEM[7:11]	699
24.3.11	Data x or Counter y MEM[7:8, 7:10, 7:12, 7:14]	704
24.3.12	Encryption Keys MEM[7:16, 7:20, 7:24, 7:28]	704
24.3.13	AES Encryption Key 1 MEM[7:16-19]	705
24.3.14	AES Encryption Key 2 MEM[7:20-23]	705
24.3.15	AES Encryption Key 3 MEM[7:24-27]	705
24.3.16	Transport Key MEM[7:28-31]	705
24.4	Low-Frequency Front End Core Functions	705
24.4.1	Oscillation Maintenance Function	705
24.4.2	Oscillation Stop Function	705
24.4.3	LF Passive Mode VCL Discharge	706
24.4.4	Modulation Capacitor (CM)	706
24.4.5	Trimming Capacitors	706
24.4.6	3-Dimensional LF Passive Mode Channel Selector	706
24.5	3D LF Passive-Mode Communication Scheme	706
24.5.1	Basic Communication Structure	706
24.5.2	LF Passive Mode Downlink Timings	709
24.5.3	LF Passive Mode Downlink Protocols	717
24.5.4	LF Transponder Access (TAC) Command Set Parts	723
24.5.5	Transponder Memory Access Downlink Telegrams	732
24.5.6	Transponder Action Access Downlink Telegrams	737
24.5.7	Uplink	756
24.6	3D LF Wake Receiver	763
24.6.1	Architecture	763
24.6.2	Polling Systems	764
24.6.3	Triggered Systems	764
24.6.4	Wake Pattern	764
24.6.5	Data Reception	765
24.6.6	Noise Rejection Filter	765
24.6.7	Wake Receiver Prioritization	766
24.6.8	LF Wake-Up Mode Functions	766
24.6.9	Switch Interface Functions	773
24.6.10	RSSI Measurement	776
24.7	Battery Charge Function	778
24.8	Microcontroller Interface Pins	778
24.8.1	WAKE	778
24.8.2	EOB	778
24.8.3	CLK_OUT	778
24.9	Reset Functions	779
24.9.1	Power-On Reset Circuit	779
24.10	RSSI	779
24.10.1	RSSI Vector Calculation Formulas	779
24.10.2	RSSI Vector Calculation Implementation	779
24.11	Serial Peripheral Interface (SPI)	781
24.11.1	SPI Transponder Memory Access (TMA) Command Set Part	784
24.11.2	SPI Transponder Memory Access (TMA) Command Set	784
24.11.3	SPI Transponder Action Access (TAA) Command Set	785

List of Figures

1-1.	BOR/POR/PUC Reset Circuit	38
1-2.	Interrupt Priority	40
1-3.	NMIs With Reentrance Protection	41
1-4.	Interrupt Processing	42
1-5.	Return From Interrupt	43
1-6.	Operation Modes	46
1-7.	Devices Descriptor Table	56
1-8.	SFRIE1 Register	66
1-9.	SFRIFG1 Register	67
1-10.	SFRRPCR Register	69
1-11.	SYSCTL Register	71
1-12.	SYSBSLC Register	72
1-13.	SYSJMBC Register	73
1-14.	SYSJMBI0 Register	74
1-15.	SYSJMBI1 Register	74
1-16.	SYSJMBO0 Register	75
1-17.	SYSJMBO1 Register	75
1-18.	SYSUNIV Register	76
1-19.	SYSSNIV Register	77
1-20.	SYSRSTIV Register	78
1-21.	SYSBERRIV Register	79
2-1.	System Frequency, Supply Voltage, and Core Voltage – See Device-Specific Data Sheet	81
2-2.	PMM Block Diagram	82
2-3.	Available SVM _H Settings Versus V _{CORE} Settings	85
2-4.	High-Side and Low-Side Voltage Failure and Resulting PMM Actions	86
2-5.	High-Side SVS and SVM	87
2-6.	Low-Side SVS and SVM	88
2-7.	PMM Action at Device Power-Up	89
2-8.	Changing V _{CORE} and SVM _L and SVS _L Levels	90
2-9.	PMMCTL0 Register	97
2-10.	PMMCTL1 Register	98
2-11.	SVSMHCTL Register	99
2-12.	SVSMLCTL Register	100
2-13.	SVSMIO Register	101
2-14.	PMMIFG Register	102
2-15.	PMMRIE Register	104
2-16.	PM5CTL0 Register	105
3-1.	UCS Block Diagram	108
3-2.	Modulator Patterns	112
3-3.	Module Request Clock System	114
3-4.	Oscillator Fault Logic	117
3-5.	Switch MCLK from DCOCLK to XT1CLK	118
3-6.	UCSCTL0 Register	121
3-7.	UCSCTL1 Register	122
3-8.	UCSCTL2 Register	123
3-9.	UCSCTL3 Register	124
3-10.	UCSCTL4 Register	125

3-11.	UCSCTL5 Register	126
3-12.	UCSCTL6 Register	128
3-13.	UCSCTL7 Register	129
3-14.	UCSCTL8 Register	130
3-15.	UCSCTL9 Register	131
4-1.	MSP430X CPU Block Diagram	134
4-2.	PC Storage on the Stack for Interrupts	135
4-3.	Program Counter.....	136
4-4.	PC Storage on the Stack for CALLA	136
4-5.	Stack Pointer	137
4-6.	Stack Usage	137
4-7.	PUSHX.A Format on the Stack	137
4-8.	PUSH SP, POP SP Sequence	137
4-9.	SR Bits	138
4-10.	Register-Byte and Byte-Register Operation	140
4-11.	Register-Word Operation	140
4-12.	Word-Register Operation	141
4-13.	Register – Address-Word Operation	141
4-14.	Address-Word – Register Operation	142
4-15.	Indexed Mode in Lower 64 KB	144
4-16.	Indexed Mode in Upper Memory.....	145
4-17.	Overflow and Underflow for Indexed Mode.....	146
4-18.	Example for Indexed Mode	147
4-19.	Symbolic Mode Running in Lower 64 KB.....	149
4-20.	Symbolic Mode Running in Upper Memory	150
4-21.	Overflow and Underflow for Symbolic Mode	151
4-22.	MSP430 Double-Operand Instruction Format.....	159
4-23.	MSP430 Single-Operand Instructions.....	160
4-24.	Format of Conditional Jump Instructions.....	161
4-25.	Extension Word for Register Modes.....	164
4-26.	Extension Word for Non-Register Modes	164
4-27.	Example for Extended Register or Register Instruction.....	165
4-28.	Example for Extended Immediate or Indexed Instruction.....	166
4-29.	Extended Format I Instruction Formats	167
4-30.	20-Bit Addresses in Memory	167
4-31.	Extended Format II Instruction Format.....	168
4-32.	PUSHM and POPM Instruction Format	169
4-33.	RRCM, RRAM, RRUM, and RLAM Instruction Format	169
4-34.	BRA Instruction Format	169
4-35.	CALLA Instruction Format	169
4-36.	Decrement Overlap	195
4-37.	Stack After a RET Instruction	214
4-38.	Destination Operand—Arithmetic Shift Left	216
4-39.	Destination Operand—Carry Left Shift.....	217
4-40.	Rotate Right Arithmetically RRA.B and RRA.W	218
4-41.	Rotate Right Through Carry RRC.B and RRC.W.....	219
4-42.	Swap Bytes in Memory.....	226
4-43.	Swap Bytes in a Register	226
4-44.	Rotate Left Arithmetically—RLAM[.W] and RLAM.A	253

4-45.	Destination Operand-Arithmetic Shift Left	254
4-46.	Destination Operand-Carry Left Shift.....	255
4-47.	Rotate Right Arithmetically RRAM[.W] and RRAM.A	256
4-48.	Rotate Right Arithmetically RRAX(.B,.A) – Register Mode	258
4-49.	Rotate Right Arithmetically RRAX(.B,.A) – Non-Register Mode	258
4-50.	Rotate Right Through Carry RRCM[.W] and RRCM.A.....	260
4-51.	Rotate Right Through Carry RRCX(.B,.A) – Register Mode	262
4-52.	Rotate Right Through Carry RRCX(.B,.A) – Non-Register Mode	262
4-53.	Rotate Right Unsigned RRUM[.W] and RRUM.A.....	263
4-54.	Rotate Right Unsigned RRUX(.B,.A) – Register Mode	264
4-55.	Swap Bytes SWPBX.A Register Mode.....	268
4-56.	Swap Bytes SWPBX.A In Memory	268
4-57.	Swap Bytes SWPBX[.W] Register Mode	269
4-58.	Swap Bytes SWPBX[.W] In Memory	269
4-59.	Sign Extend SCTX.A	270
4-60.	Sign Extend SCTX[.W]	270
5-1.	Flash Memory Module Block Diagram	289
5-2.	256-KB Flash Memory Segments Example	290
5-3.	Erase Cycle Timing	293
5-4.	Erase Cycle From Flash	294
5-5.	Erase Cycle From RAM	295
5-6.	Byte, Word, and Long-Word Write Timing	296
5-7.	Initiating a Byte or Word Write From Flash.....	297
5-8.	Initiating a Byte or Word Write From RAM	298
5-9.	Initiating Long-Word Write From Flash.....	299
5-10.	Initiating Long-Word Write from RAM	300
5-11.	Block-Write Cycle Timing	301
5-12.	Block Write Flow	302
5-13.	User-Developed Programming Solution	306
5-14.	FCTL1 Register	308
5-15.	FCTL3 Register	309
5-16.	FCTL4 Register	310
5-17.	SFRIE1 Register	311
6-1.	RCCTL0 Register	315
7-1.	DMA Controller Block Diagram.....	318
7-2.	DMA Addressing Modes	319
7-3.	DMA Single Transfer State Diagram	321
7-4.	DMA Block Transfer State Diagram	322
7-5.	DMA Burst-Block Transfer State Diagram	324
7-6.	DMACTL0 Register	332
7-7.	DMACTL1 Register	333
7-8.	DMACTL2 Register	334
7-9.	DMACTL3 Register	335
7-10.	DMACTL4 Register	336
7-11.	DMAxCTL Register	337
7-12.	DMAxSA Register.....	339
7-13.	DMAxDA Register.....	340
7-14.	DMAxSZ Register.....	341
7-15.	DMAIV Register	342

8-1.	P1IV Register	356
8-2.	P2IV Register	357
8-3.	P1IES Register	358
8-4.	P1IE Register	358
8-5.	P1IFG Register	358
8-6.	P2IES Register	359
8-7.	P2IE Register	359
8-8.	P2IFG Register	359
8-9.	PxIN Register	360
8-10.	PxOUT Register	360
8-11.	PxDIR Register	360
8-12.	PxREN Register	361
8-13.	PxDS Register	361
8-14.	PxSEL Register	361
9-1.	PMPKEYID Register	366
9-2.	PMPCTL Register	366
9-3.	PxMAPy Register	366
10-1.	LFSR Implementation of CRC-CCITT Standard, Bit 0 is the MSB of the Result	368
10-2.	Implementation of CRC-CCITT Using the CRCDI and CRCNIREs Registers	370
10-3.	CRCDI Register	373
10-4.	CRCDIRB Register	373
10-5.	CRCNIREs Register	374
10-6.	CRCRESR Register	374
11-1.	AES Accelerator Block Diagram	376
11-2.	AES State Array Input and Output	377
11-3.	AES-128 Encryption Process	378
11-4.	AES-128 Decryption Process using AESOPx = 01	379
11-5.	AES-128 Decryption Process using AESOPx = 10 and 11	380
11-6.	AESACTL0 Register	383
11-7.	AESACTL1 Register	384
11-8.	AESASTAT Register	385
11-9.	AESAKEY Register	386
11-10.	AESADIN Register	387
11-11.	AESADOUT Register	387
11-12.	AESAXDIN Register	388
11-13.	AESAXIN Register	388
12-1.	Watchdog Timer Block Diagram	391
12-2.	WDTCTL Register	395
13-1.	Timer_A Block Diagram	398
13-2.	Up Mode	400
13-3.	Up Mode Flag Setting	400
13-4.	Continuous Mode	401
13-5.	Continuous Mode Flag Setting	401
13-6.	Continuous Mode Time Intervals	401
13-7.	Up/Down Mode	402
13-8.	Up/Down Mode Flag Setting	402
13-9.	Output Unit in Up/Down Mode	403
13-10.	Capture Signal (SCS = 1)	404
13-11.	Capture Cycle	404

13-12. Output Example – Timer in Up Mode	406
13-13. Output Example – Timer in Continuous Mode	407
13-14. Output Example – Timer in Up/Down Mode	408
13-15. Capture/Compare TAxCCR0 Interrupt Flag	409
13-16. TAxCTL Register.....	412
13-17. TAxR Register	413
13-18. TAxCCTLn Register	414
13-19. TAxCCRn Register	416
13-20. TAxIV Register	416
13-21. TAxEX0 Register.....	417
14-1. RTC_A.....	420
14-2. RTCCTL0 Register	429
14-3. RTCCTL1 Register	430
14-4. RTCCTL2 Register	431
14-5. RTCCTL3 Register	431
14-6. RTCNT1 Register	432
14-7. RTCNT2 Register	432
14-8. RTCNT3 Register	432
14-9. RTCNT4 Register	432
14-10. RTCSEC Register.....	433
14-11. RTCSEC Register.....	433
14-12. RTCMIN Register	434
14-13. RTCMIN Register	434
14-14. RTCHOUR Register	435
14-15. RTCHOUR Register	435
14-16. RTCDOW Register	436
14-17. RTCDAY Register.....	436
14-18. RTCDAY Register.....	436
14-19. RTCMON Register	437
14-20. RTCMON Register.....	437
14-21. RTCYEARL Register	438
14-22. RTCYEARL Register	438
14-23. RTCYEARH Register.....	439
14-24. RTCYEARH Register.....	439
14-25. RTCAMIN Register	440
14-26. RTCAMIN Register	440
14-27. RTCAHOUR Register	441
14-28. RTCAHOUR Register	441
14-29. RTCADOW Register.....	442
14-30. RTCADAY Register.....	442
14-31. RTCADAY Register.....	442
14-32. RTCPS0CTL Register	443
14-33. RTCPS1CTL Register	444
14-34. RT0PS Register	445
14-35. RTPS1 Register	445
14-36. RTCIV Register.....	445
15-1. MPY32 Block Diagram	448
15-2. Q15 Format Representation	453
15-3. Q14 Format Representation	453

15-4.	Saturation Flow Chart	455
15-5.	Multiplication Flow Chart	457
15-6.	MPY32CTL0 Register	463
16-1.	REF Block Diagram.....	466
16-2.	REFCTL0 Register.....	472
17-1.	ADC12_A Block Diagram (Devices With REF Module).....	476
17-2.	ADC12_A MSP430F54xx (non-A) Block Diagram.....	477
17-3.	Analog Multiplexer	478
17-4.	Extended Sample Mode.....	480
17-5.	Pulse Sample Mode	481
17-6.	Analog Input Equivalent Circuit	481
17-7.	Single-Channel Single-Conversion Mode.....	483
17-8.	Sequence-of-Channels Mode	484
17-9.	Repeat-Single-Channel Mode	485
17-10.	Repeat-Sequence-of-Channels Mode.....	486
17-11.	Typical Temperature Sensor Transfer Function	488
17-12.	ADC12_A Grounding and Noise Considerations	489
17-13.	ADC12CTL0 Register	494
17-14.	ADC12CTL1 Register	496
17-15.	ADC12CTL2 Register	497
17-16.	ADC12MEMx Register	498
17-17.	ADC12MCTLx Register	499
17-18.	ADC12IE Register	500
17-19.	ADC12IFG Register	502
17-20.	ADC12IV Register	504
18-1.	Comp_B Block Diagram.....	506
18-2.	Comp_B Sample-And-Hold	508
18-3.	RC-Filter Response at the Output of the Comparator.....	509
18-4.	Reference Generator Block Diagram.....	509
18-5.	Transfer Characteristic and Power Dissipation in a CMOS Inverter/Buffer	510
18-6.	Temperature Measurement System	510
18-7.	Timing for Temperature Measurement Systems.....	511
18-8.	CBCTL0 Register	513
18-9.	CBCTL1 Register	514
18-10.	CBCTL2 Register	516
18-11.	CBCTL3 Register	517
18-12.	CBINT Register.....	519
18-13.	CBIV Register	520
19-1.	USCI_Ax Block Diagram – UART Mode (UCSYNC = 0)	524
19-2.	Character Format	525
19-3.	Idle-Line Format.....	526
19-4.	Address-Bit Multiprocessor Format.....	527
19-5.	Auto Baud-Rate Detection – Break/Synch Sequence.....	528
19-6.	Auto Baud-Rate Detection – Synch Field.....	528
19-7.	UART vs IrDA Data Format.....	529
19-8.	Glitch Suppression, USCI Receive Not Started.....	531
19-9.	Glitch Suppression, USCI Activated	531
19-10.	BITCLK Baud-Rate Timing With UCOS16 = 0	532
19-11.	Receive Error	535

19-12. UCAXCTL0 Register	542
19-13. UCAXCTL1 Register	543
19-14. UCAXBR0 Register	544
19-15. UCAXBR1 Register	544
19-16. UCAXMCTL Register	544
19-17. UCAXSTAT Register	545
19-18. UCAXRXBUF Register	546
19-19. UCAXTXBUF Register	546
19-20. UCAXIRTCTL Register	547
19-21. UCAXIRRCTL Register	547
19-22. UCAXABCTL Register	548
19-23. UCAXIE Register	549
19-24. UCAXIFG Register	549
19-25. UCAXIV Register	550
20-1. USCI Block Diagram – SPI Mode	554
20-2. USCI Master and External Slave	556
20-3. USCI Slave and External Master	557
20-4. USCI SPI Timing With UCMSB = 1	558
20-5. UCAXCTL0 Register	561
20-6. UCAXCTL1 Register	562
20-7. UCAXBR0 Register	563
20-8. UCAXBR1 Register	563
20-9. UCAXMCTL Register	563
20-10. UCAXSTAT Register	564
20-11. UCAXRXBUF Register	565
20-12. UCAXTXBUF Register	565
20-13. UCAXIE Register	566
20-14. UCAXIFG Register	566
20-15. UCAXIV Register	567
20-16. UCBxCTL0 Register	569
20-17. UCBxCTL1 Register	570
20-18. UCBxBR0 Register	571
20-19. UCBxBR1 Register	571
20-20. UCBxMCTL Register	571
20-21. UCBxSTAT Register	572
20-22. UCBxRXBUF Register	573
20-23. UCBxTXBUF Register	573
20-24. UCBxIE Register	574
20-25. UCBxIFG Register	574
20-26. UCBxIV Register	575
21-1. USCI Block Diagram – I ² C Mode	579
21-2. I ² C Bus Connection Diagram	580
21-3. I ² C Module Data Transfer	581
21-4. Bit Transfer on I ² C Bus	581
21-5. I ² C Module 7-Bit Addressing Format	582
21-6. I ² C Module 10-Bit Addressing Format	582
21-7. I ² C Module Addressing Format With Repeated START Condition	582
21-8. I ² C Time-Line Legend	583
21-9. I ² C Slave Transmitter Mode	584

21-10. I ² C Slave Receiver Mode	586
21-11. I ² C Slave 10-Bit Addressing Mode	587
21-12. I ² C Master Transmitter Mode	589
21-13. I ² C Master Receiver Mode	591
21-14. I ² C Master 10-Bit Addressing Mode	592
21-15. Arbitration Procedure Between Two Master Transmitters	593
21-16. Synchronization of Two I ² C Clock Generators During Arbitration	594
21-17. UCBxCTL0 Register	599
21-18. UCBxCTL1 Register	600
21-19. UCBxBR0 Register	601
21-20. UCBxBR1 Register	601
21-21. UCBxSTAT Register	602
21-22. UCBxRXBUF Register	603
21-23. UCBxTXBUF Register	603
21-24. UCBxI2COA Register	604
21-25. UCBxI2CSA Register	604
21-26. UCBxIE Register	605
21-27. UCBxIFG Register	606
21-28. UCBxIV Register	607
22-1. Simplified Block Diagram of the CC1101-Based Radio Module	609
22-2. Radio Interface Overview	610
22-3. Logical Channels Between Radio Interface and Radio Core	611
22-4. Data Whitening in TX Mode	630
22-5. Packet Format	630
22-6. Packet Length Greater Than 255	632
22-7. Complete Radio-Control State Diagram	639
22-8. Event 0 and Event 1 Relationship	641
22-9. FIFO_THR = 13 vs Number of Bytes in FIFO (GDOx_CFG = 0x00 in RX and GDOx_CFG = 0x02 in TX)	644
22-10. Example of FIFOs at Threshold	644
22-11. PA_POWER and PATABLE	646
22-12. Shaping of ASK Signal	646
22-13. Block Diagram of CC1101-based Radio With External Power Amplifier	650
22-14. RF1AIFCTL0 Register	676
22-15. RF1AIFCTL1 Register	677
22-16. RF1AIFERR Register	678
22-17. RF1AIFERRV Register	679
22-18. RF1AIFIV Register	679
22-19. RF1AIN Register	680
22-20. RF1AIFG Register	680
22-21. RF1AIES Register	681
22-22. RF1AIE Register	681
22-23. RF1AIV Register	682
23-1. Large Implementation of EEM	685
24-1. Basic Block Diagram of the LF Front End	689
24-2. EEPROM Memory Organization Bank 7 (Configuration)	693
24-3. Communication Structure of a Valid Read Function	707
24-4. Communication Structure of an Invalid Read Function	707
24-5. Communication Structure of Valid Authentication Function	708

24-6.	Communication Structure of Valid Program Function	708
24-7.	Communication Structure of Valid Mutual Authentication Program	709
24-8.	Communication Structure of Valid Hash Mutual Authentication Program	709
24-9.	Start of Frame Sequence	711
24-10.	Determination of Bit Information	712
24-11.	Transponder Bit Threshold Adaptation Examples	713
24-12.	Determination of Receive Quality Factor	714
24-13.	RF Voltage Drop During Modulation	715
24-14.	Determination of t_{OFF} Using Q_{off}	716
24-15.	Write Address Bytes Partitioning	718
24-16.	Schematic of Frame Block Check Generation	721
24-17.	Flow Chart of Frame BCC Generation	722
24-18.	Downlink Telegram of General Read	732
24-19.	Downlink Telegram of General Burst Read	732
24-20.	Downlink Telegram of Selective Read	733
24-21.	Downlink Telegram of Selective Burst Read	733
24-22.	Downlink Telegram of Mutual Authentication Read	733
24-23.	Downlink Telegram of Mutual Authentication Burst Read	733
24-24.	Downlink Telegram of Selective Mutual Authentication Read	734
24-25.	Downlink Telegram of Selective Mutual Authentication Burst Read	734
24-26.	Downlink Telegram of General Program	734
24-27.	Downlink Telegram of Selective Program	735
24-28.	Downlink Telegram of Mutual Authentication Program	735
24-29.	Downlink Telegram of Selective Mutual Authentication Program	736
24-30.	Downlink Telegram of General Lock	736
24-31.	Downlink Telegram of Selective Lock	736
24-32.	Downlink Telegram of Mutual Authentication Lock	737
24-33.	Downlink Telegram Selective Mutual Authentication Lock	737
24-34.	Downlink Telegram of General Program 128-Bit Encryption Keys	738
24-35.	Downlink Telegram of General Program 128-Bit Encryption Keys With Hash Value	738
24-36.	Downlink Telegram of Selective Program 128-Bit Encryption Keys	739
24-37.	Downlink Telegram of Selective Program 128-Bit Encryption Keys With Hash Value	739
24-38.	Downlink Telegram of Mutual Authentication Program 128-bit Encryption Keys	740
24-39.	Downlink Telegram of Mutual Authentication Program 128-bit Encryption Keys With Hash Value	740
24-40.	Downlink Telegram of Selective Mutual Authentication Program 128-bit Encryption Keys	741
24-41.	Downlink Telegram of Selective Mutual Authentication Program 128-Bit Encryption Keys With Hash Value	741
24-42.	Downlink Telegram of General AES Authentication	742
24-43.	Downlink Telegram of Selective AES Authentication	742
24-44.	Downlink Telegram of Mutual AES Authentication	743
24-45.	Downlink Telegram of Selective Mutual AES Authentication	743
24-46.	Downlink Telegram of Mutual Anticollision AES Authentication	744
24-47.	Downlink Telegram of Selective Mutual Anticollision AES Authentication	745
24-48.	Downlink Telegram of General MSP Access	745
24-49.	Downlink Telegram of Selective MSP Access	746
24-50.	Downlink Telegram of Mutual Authentication MSP Access	746
24-51.	Downlink Telegram of Selective Mutual Authentication MSP Access	747
24-52.	Downlink Telegram of General Battery Charge	747
24-53.	Downlink Telegram of Selective Battery Charge	748

24-54. Downlink Telegram of Mutual Authentication Battery Charge	748
24-55. Downlink Telegram of Selective Mutual Authentication Battery Charge.....	748
24-56. Downlink Telegram of General Antenna Trimming	749
24-57. Schematic of Trimming Circuit	751
24-58. Flowchart of Remote Antenna Trimming Process Using Resonance Frequency	752
24-59. Flowchart of Remote Antenna Trimming Process Using Low Bit Frequency	753
24-60. Downlink Telegram of Selective Remote Antenna Trimming	754
24-61. Downlink Telegram of Mutual Authentication Remote Antenna Trimming	754
24-62. Downlink Telegram of Selective Mutual Authentication Remote Antenna Trimming.....	754
24-63. Downlink Telegram of General Status Read	755
24-64. Downlink Telegram of Selective Status Read.....	755
24-65. Downlink Telegram of Mutual Authentication Status Read.....	755
24-66. Downlink Telegram of Selective Mutual Authentication Read	756
24-67. General Uplink Telegram Overview	756
24-68. Authentication Uplink Telegram Overview	757
24-69. Content of Read Address and Read Address Extension	757
24-70. Read Telegram of Read, Program, and Lock MEM[0:2:0-63], MEM[3:0-29]	758
24-71. Read Telegram of Read, Program, and Lock MEM[7:0-15].....	758
24-72. Read Telegram of Read, Program, and Lock MEM[7:16-31], ACTN[7:10h-1Fh].....	758
24-73. Read Address and Address Extension of Action Responses	759
24-74. Read Telegram of AES (RKE) Authentication 32/32	759
24-75. Read Telegram of AES (RKE) Authentication 64/64 and 96/64	759
24-76. Read Telegram of Battery Charge Command	760
24-77. Read Telegram of Remote Antenna Trimming.....	761
24-78. Read Telegram of MSP Access With 32-bit MSP Data.....	762
24-79. Read Telegram of MSP Access With 64-bit MSP Data.....	762
24-80. 3D LF Wake Receiver Architecture.....	763
24-81. Downlink Telegram of Program Encryption Key AES K ₁	764
24-82. Noise Rejection Filter Influence to LF Data	766
24-83. Timing for Wake Pattern	767
24-84. LF Wake-Up Mode Bit Thresholds Range	768
24-85. WDE Resettling time	768
24-86. Burst Length Coding (LF Wake-Up Mode)	769
24-87. LF Wake-Up Mode Bit Reception Flow	770
24-88. LF Wake-Up Mode – Wake and Command Reception	771
24-89. PE – Wake With Additional Data Reception.....	772
24-90. PE – Input Buffer Readout Example 1 – Data Pending.....	772
24-91. PE – Input Buffer Readout Example 2 – Late Read After Wake	773
24-92. PE – Input Buffer Flush on S-Bit Reception	773
24-93. Switch Sampling Example	774
24-94. Switch Sampling – Readout With and Without New Switch Event.....	775
24-95. Switch Sampling – Stuck Button	775
24-96. Switch Sampling – Stuck Button Released.....	776
24-97. RSSI Transfer Function	777
24-98. Voltage Error RSSI Measurement	777
24-99. SPI Timing (Clock Phase and Polarity)	782
24-100. SPI Command – Protocol Overview	782
24-101. SPI Transponder Access Command Example.....	783
24-102. SPI Communication Overview	783

24-103. Basic Low-Frequency and SPI Communication Structures	784
24-104. SPI Status Read Command – Short Form	787
24-105. SPI RAIDAES Control Command	788
24-106. SPI RAIDAES Control Command Without Response (Sleep Command).....	788
24-107. SPI TAA – Load AES Data Register	789
24-108. SPI TAA – Load AES Key From Page and Execute Encryption	790
24-109. SPI TAA – Load AES Key and Execute Encryption	790
24-110. SPI Antenna Trimming Command Protocol	791
24-111. Timing Diagram of Frequency Measurement Function	793
24-112. SPI Encryption Command With Counter (INCL_CNT = 0)	794
24-113. SPI Encryption Command With Counter Value in Response (INCL_CNT = 1)	794
24-114. SPI Data In Command – LF Front End to Microcontroller Data Transfer	795
24-115. SPI Data Out Commands Byte – Microcontroller to LF front end Data Transfer.....	797
24-116. SPI CRC Calculation Command Protocol Including Start Value	798
24-117. SPI RSSI Measurement Command	799
24-118. RSSI Measurement During EOF	800
24-119. SPI Counter Read/Increment Command Counter Control Byte	801
24-120. SPI Counter Program Command	801
24-121. SPI Response Status Description	802

List of Tables

1-1.	Interrupt Sources, Flags, and Vectors	43
1-2.	Operation Modes	47
1-3.	Connection of Unused Pins	50
1-4.	Tag Values	57
1-5.	Peripheral Discovery Descriptor	58
1-6.	Values for Memory Entry	58
1-7.	Values for Peripheral Entry.....	59
1-8.	Peripheral IDs	59
1-9.	Sample Peripheral Discovery Descriptor	61
1-10.	SFR Base Address	65
1-11.	SFR Registers	65
1-12.	SFRIE1 Register Description	66
1-13.	SFRIFG1 Register Description	67
1-14.	SFRRPCR Register Description	69
1-15.	SYS Base Address	70
1-16.	SYS Registers	70
1-17.	SYSCTL Register Description	71
1-18.	SYSBSLC Register Description	72
1-19.	SYSJMBC Register Description	73
1-20.	SYSJMBI0 Register Description	74
1-21.	SYSJMBI1 Register Description	74
1-22.	SYSJMBO0 Register Description	75
1-23.	SYSJMBO1 Register Description	75
1-24.	SYSUNIV Register Description	76
1-25.	SYSSNIV Register Description	77
1-26.	SYSRSTIV Register Description	78
1-27.	SYSBERRIV Register Description	79
2-1.	SVS and SVM Thresholds	84
2-2.	Recommended SVS _L Settings	84
2-3.	Recommended SVS _H Settings	84
2-4.	Available SVS _H and SVM _H Settings Versus V _{CORE} Settings	85
2-5.	SVS _L and SVM _L Control Mode Selection	93
2-6.	SVS _L Automatic Performance Control	93
2-7.	SVS _L Manual Performance Modes	93
2-8.	SVM _L Automatic Performance Control	93
2-9.	SVM _L Manual Performance Modes	93
2-10.	SVS _H and SVM _H Control Mode Selection	94
2-11.	SVS _H Automatic Performance Control	94
2-12.	SVS _H Manual Performance Modes	94
2-13.	SVM _H Automatic Performance Control	94
2-14.	SVM _H Manual Performance Modes	94
2-15.	PMM Registers	96
2-16.	PMMCTL0 Register Description	97
2-17.	PMMCTL1 Register Description	98
2-18.	SVSMHCTL Register Description	99
2-19.	SVSMLCTL Register Description	100
2-20.	SVSMIO Register Description	101

2-21.	PMMIFG Register Description.....	102
2-22.	PMMRIE Register Description.....	104
2-23.	PM5CTL0 Register Description	105
3-1.	Clock Request System and Power Modes	114
3-2.	UCS Registers.....	120
3-3.	UCSCTL0 Register Description	121
3-4.	UCSCTL1 Register Description	122
3-5.	UCSCTL2 Register Description	123
3-6.	UCSCTL3 Register Description	124
3-7.	UCSCTL4 Register Description	125
3-8.	UCSCTL5 Register Description	126
3-9.	UCSCTL6 Register Description	128
3-10.	UCSCTL7 Register Description	129
3-11.	UCSCTL8 Register Description	130
3-12.	UCSCTL9 Register Description	131
4-1.	SR Bit Description	138
4-2.	Values of Constant Generators CG1, CG2.....	139
4-3.	Source and Destination Addressing	142
4-4.	MSP430 Double-Operand Instructions.....	160
4-5.	MSP430 Single-Operand Instructions.....	160
4-6.	Conditional Jump Instructions	161
4-7.	Emulated Instructions	161
4-8.	Interrupt, Return, and Reset Cycles and Length.....	162
4-9.	MSP430 Format II Instruction Cycles and Length	162
4-10.	MSP430 Format I Instructions Cycles and Length	163
4-11.	Description of the Extension Word Bits for Register Mode.....	164
4-12.	Description of Extension Word Bits for Non-Register Modes	165
4-13.	Extended Double-Operand Instructions.....	166
4-14.	Extended Single-Operand Instructions.....	168
4-15.	Extended Emulated Instructions	170
4-16.	Address Instructions, Operate on 20-Bit Register Data.....	171
4-17.	MSP430X Format II Instruction Cycles and Length	172
4-18.	MSP430X Format I Instruction Cycles and Length	173
4-19.	Address Instruction Cycles and Length	174
4-20.	Instruction Map of MSP430X	175
5-1.	Supported Simultaneous Code Execution and Flash Operations	292
5-2.	Erase Modes.....	292
5-3.	Write Modes	296
5-4.	Flash Access While Flash is Busy (BUSY = 1)	303
5-5.	FCTL Registers.....	307
5-6.	FCTL1 Register Description	308
5-7.	FCTL3 Register Description	309
5-8.	FCTL4 Register Description	310
5-9.	SFRIE1 Register Description.....	311
6-1.	RAMCTL Registers	314
6-2.	RCCTL0 Register Description	315
7-1.	DMA Transfer Modes.....	320
7-2.	DMA Trigger Operation	326
7-3.	Maximum Single-Transfer DMA Cycle Time	327

7-4.	DMA Registers	330
7-5.	DMACTL0 Register Description.....	332
7-6.	DMACTL1 Register Description.....	333
7-7.	DMACTL2 Register Description.....	334
7-8.	DMACTL3 Register Description.....	335
7-9.	DMACTL4 Register Description.....	336
7-10.	DMAxCTL Register Description	337
7-11.	DMAxSA Register Description	339
7-12.	DMAxDA Register Description	340
7-13.	DMAxSZ Register Description.....	341
7-14.	DMAIV Register Description	342
8-1.	I/O Configuration	345
8-2.	Digital I/O Registers	350
8-3.	P1IV Register Description	356
8-4.	P2IV Register Description	357
8-5.	P1IES Register Description.....	358
8-6.	P1IE Register Description	358
8-7.	P1IFG Register Description.....	358
8-8.	P2IES Register Description.....	359
8-9.	P2IE Register Description	359
8-10.	P2IFG Register Description.....	359
8-11.	PxIN Register Description	360
8-12.	PxOUT Register Description	360
8-13.	PxDIR Register Description.....	360
8-14.	PxREN Register Description	361
8-15.	PxDS Register Description	361
8-16.	PxSEL Register Description	361
9-1.	Examples for Port Mapping Mnemonics and Functions	364
9-2.	Port Mapping Control Registers.....	365
9-3.	Port Mapping Registers for Port Px – Byte Access	365
9-4.	Port Mapping Registers for Port Px – Word Access	365
9-5.	PMAPKEYID Register Description.....	366
9-6.	PMAPCTL Register Description.....	366
9-7.	PxMAPy Register Description	366
10-1.	CRC Registers	372
10-2.	CRCDI Register Description.....	373
10-3.	CRCDIRB Register Description	373
10-4.	CRCINIRES Register Description	374
10-5.	CRCRESR Register Description	374
11-1.	AES_ACCEL Registers	382
11-2.	AESACTL0 Register Description.....	383
11-3.	AESACTL1 Register Description.....	384
11-4.	AESASTAT Register Description	385
11-5.	AESAKEY Register Description.....	386
11-6.	AESADIN Register Description	387
11-7.	AESADOUT Register Description	387
11-8.	AESAXDIN Register Description.....	388
11-9.	AESAXIN Register Description.....	388
12-1.	WDT_A Registers.....	394

12-2. WDTCTL Register Description	395
13-1. Timer Modes	400
13-2. Output Modes	405
13-3. Timer_A Registers	411
13-4. TAxCTL Register Description	412
13-5. TAxR Register Description	413
13-6. TAxCTLn Register Description	414
13-7. TAxCCRn Register Description	416
13-8. TAxIV Register Description	416
13-9. TAxEX0 Register Description	417
14-1. RTC_A Registers	427
14-2. RTCCTL0 Register Description	429
14-3. RTCCTL1 Register Description	430
14-4. RTCCTL2 Register Description	431
14-5. RTCCTL3 Register Description	431
14-6. RTCNT1 Register Description	432
14-7. RTCNT2 Register Description	432
14-8. RTCNT3 Register Description	432
14-9. RTCNT4 Register Description	432
14-10. RTCSEC Register Description	433
14-11. RTCSEC Register Description	433
14-12. RTCMIN Register Description	434
14-13. RTCMIN Register Description	434
14-14. RTCHOUR Register Description	435
14-15. RTCHOUR Register Description	435
14-16. RTCDOW Register Description	436
14-17. RTCDAY Register Description	436
14-18. RTCDAY Register Description	436
14-19. RTCMON Register Description	437
14-20. RTCMON Register Description	437
14-21. RTCYEARL Register Description	438
14-22. RTCYEARL Register Description	438
14-23. RTCYEARH Register Description	439
14-24. RTCYEARH Register Description	439
14-25. RTCAMIN Register Description	440
14-26. RTCAMIN Register Description	440
14-27. RTCAHOUR Register Description	441
14-28. RTCAHOUR Register Description	441
14-29. RTCADOW Register Description	442
14-30. RTCADAY Register Description	442
14-31. RTCADAY Register Description	442
14-32. RTCPS0CTL Register Description	443
14-33. RTCPS1CTL Register Description	444
14-34. RT0PS Register Description	445
14-35. RT1PS Register Description	445
14-36. RTCIV Register Description	445
15-1. Result Availability (MPYFRAC = 0, MPYSAT = 0)	449
15-2. OP1 Registers	450
15-3. OP2 Registers	450

15-4.	SUMEXT and MPYC Contents	451
15-5.	Result Availability in Fractional Mode (MPYFRAC = 1, MPYSAT = 0)	454
15-6.	Result Availability in Saturation Mode (MPYSAT = 1)	455
15-7.	MPY32 Registers	461
15-8.	Alternative Registers	462
15-9.	MPY32CTL0 Register Description	463
16-1.	REF Control of Reference System (REFMSTR = 1) (Default)	468
16-2.	Control of Reference System (REFMSTR = 0, ADC12_A only)	469
16-3.	REF Registers	471
16-4.	REFCTL0 Register Description	472
17-1.	ADC12_A Conversion Result Formats	482
17-2.	Conversion Mode Summary	482
17-3.	ADC12_A Registers	492
17-4.	ADC12CTL0 Register Description	494
17-5.	ADC12CTL1 Register Description	496
17-6.	ADC12CTL2 Register Description	497
17-7.	ADC12MEMx Register Description	498
17-8.	ADC12MCTLx Register Description	499
17-9.	ADC12IE Register Description	500
17-10.	ADC12IFG Register Description	502
17-11.	ADC12IV Register Description	504
18-1.	Comp_B Registers	512
18-2.	CBCTL0 Register Description	513
18-3.	CBCTL1 Register Description	514
18-4.	CBCTL2 Register Description	516
18-5.	CBCTL3 Register Description	517
18-6.	CBINT Register Description	519
18-7.	CBIV Register Description	520
19-1.	Receive Error Conditions	530
19-2.	BITCLK Modulation Pattern	532
19-3.	BITCLK16 Modulation Pattern	533
19-4.	Commonly Used Baud Rates, Settings, and Errors, UCOS16 = 0	536
19-5.	Commonly Used Baud Rates, Settings, and Errors, UCOS16 = 1	538
19-6.	USCI_A UART Mode Registers	541
19-7.	UCAxCTL0 Register Description	542
19-8.	UCAxCTL1 Register Description	543
19-9.	UCAxBR0 Register Description	544
19-10.	UCAxBR1 Register Description	544
19-11.	UCAxMCTL Register Description	544
19-12.	UCAxSTAT Register Description	545
19-13.	UCAxRXBUF Register Description	546
19-14.	UCAxTXBUF Register Description	546
19-15.	UCAxIRTCTL Register Description	547
19-16.	UCAxIRRCTL Register Description	547
19-17.	UCAxABCTL Register Description	548
19-18.	UCAxIE Register Description	549
19-19.	UCAxIFG Register Description	549
19-20.	UCAxIV Register Description	550
20-1.	UCxSTE Operation	555

20-2.	USCI_A SPI Mode Registers	560
20-3.	UCAxCTL0 Register Description	561
20-4.	UCAxCTL1 Register Description	562
20-5.	UCAxBR0 Register Description	563
20-6.	UCAxBR1 Register Description	563
20-7.	UCAxMCTL Register Description	563
20-8.	UCAxSTAT Register Description	564
20-9.	UCAxRXBUF Register Description	565
20-10.	UCAxTXBUF Register Description	565
20-11.	UCAxIE Register Description	566
20-12.	UCAxIFG Register Description	566
20-13.	UCAxIV Register Description	567
20-14.	USCI_B SPI Mode Registers	568
20-15.	UCBxCTL0 Register Description	569
20-16.	UCBxCTL1 Register Description	570
20-17.	UCBxBR0 Register Description	571
20-18.	UCBxBR1 Register Description	571
20-19.	UCBxMCTL Register Description	571
20-20.	UCBxSTAT Register Description	572
20-21.	UCBxRXBUF Register Description	573
20-22.	UCBxTXBUF Register Description	573
20-23.	UCBxIE Register Description	574
20-24.	UCBxIFG Register Description	574
20-25.	UCBxIV Register Description	575
21-1.	I ² C State Change Interrupt Flags	596
21-2.	USCI_B Registers	598
21-3.	UCBxCTL0 Register Description	599
21-4.	UCBxCTL1 Register Description	600
21-5.	UCBxBR0 Register Description	601
21-6.	UCBxBR1 Register Description	601
21-7.	UCBxSTAT Register Description	602
21-8.	UCBxRXBUF Register Description	603
21-9.	UCBxTXBUF Register Description	603
21-10.	UCBxI2COA Register Description	604
21-11.	UCBxI2CSA Register Description	604
21-12.	UCBxIE Register Description	605
21-13.	UCBxIFG Register Description	606
21-14.	UCBxIV Register Description	607
22-1.	One-Byte Auto-Read Registers	614
22-2.	Two-Byte (One-Word) Auto-Read Registers	614
22-3.	Radio Interface Error Conditions	615
22-4.	Radio Interface Interrupt Flags	616
22-5.	CC1101 Radio Core Interrupt Mapping	617
22-6.	CC1101-Based Radio Core Instruction Set – Command Strokes	624
22-7.	CC1101-Based Radio Core Instruction Set	625
22-8.	Radio Core Status Byte Summary	626
22-9.	Data Rate Step Size	627
22-10.	Channel Filter Bandwidths (kHz) (Assuming a 26-MHz Crystal)	627
22-11.	Received Packet Status Byte 1 (First Byte Appended After Data)	629

22-12. Received Packet Status Byte 2 (Second Byte Appended After Data)	629
22-13. Symbol Encoding for 2-FSK and 2-GFSK Modulation	634
22-14. Sync Word Qualifier Mode	635
22-15. Typical RSSI Value in dBm at CS Threshold With Default MAGN_TARGET at 2.4 kBaud, 868 MHz	637
22-16. Typical RSSI Value in dBm at CS Threshold With Default MAGN_TARGET at 250 kBaud, 868 MHz	638
22-17. State Transition Timing.....	642
22-18. FIFO_THR Settings and the Corresponding FIFO Thresholds	644
22-19. Configuration Registers	652
22-20. Status Registers.....	653
22-21. GDOx Signal Selection (x = 0, 1, or 2).....	654
22-22. RF1A Registers	674
22-23. RF1AIFCTL0 Register Description	676
22-24. RF1AIFCTL1 Register Description	677
22-25. RF1AIFERR Register Description	678
22-26. RF1AIFERRV Register Description.....	679
22-27. RF1AIFIV Register Description	679
22-28. RF1AIN Register Description.....	680
22-29. RF1AIFG Register Description	680
22-30. RF1AIES Register Description	681
22-31. RF1AIE Register Description	681
22-32. RF1AIV Register Description.....	682
23-1. EEM Configurations	687
24-1. Intermodule Connection for RF430F59xx.....	690
24-2. Memory Overview.....	691
24-3. Transponder Bank Summary.....	691
24-4. User Banks Summary	692
24-5. Lock Bits	692
24-6. Lock Bit Memory Requirements.....	692
24-7. EEPROM Memory Organization Bank 7, Even Pages (Configuration)	694
24-8. EEPROM Memory Organization Bank 7, Odd Pages (Configuration)	695
24-9. Unique Serial Number Bank 7, Page 2	695
24-10. Address Page Bank 7, Page 4	696
24-11. Customer Device Configuration Bank 7, Page 5	697
24-12. Vehicle ID Bank 7, Page 6.....	698
24-13. Wake A Configuration Bank 7, Page 7.....	698
24-14. Wake B Configuration Bank 7, Page 9.....	698
24-15. Wake Lengths	699
24-16. Customer Device Configuration Bank 7, Page 11	699
24-17. Typical Sensitivity Values of Wake Level A	699
24-18. Typical Sensitivity Values of Wake Level B	700
24-19. Wake Receiver Bit Timing Configuration Bank 7, Page 13	701
24-20. Typical Minimum Low Bit Wake Receiver Bit Threshold, t_{Lmin}	702
24-21. Typical Maximum Low Bit Wake Receiver Bit Threshold, t_{Lmax}	702
24-22. Typical Minimum High Bit Wake Receiver Bit Threshold, t_{Hmin}	702
24-23. Typical Maximum High Bit Wake Receiver Bit Threshold, t_{Hmax}	703
24-24. Typical Minimum Start Bit Wake Receiver Bit Threshold, t_{Smin}	703
24-25. Typical Maximum Start Bit Wake Receiver Bit Threshold, t_{Smax}	704
24-26. Memory Content – Bank 7, Pages 8, 10, 12, and 14	704
24-27. Recommended LF Passive Mode Downlink Timings (Narrow Spread).....	717

24-28. Recommended LF Passive Mode Downlink Timings (Wide Spread)	717
24-29. Addressing of Transponder Functions	719
24-30. Addressing of Transponder Actions	720
24-31. Symbols Used in Through	723
24-32. Transponder Memory Access Command Set Part 1	724
24-33. Transponder Memory Access Command Set Part 2	725
24-34. Transponder Memory Access Command Set Part 3	726
24-35. Transponder Memory Access Command Set Part 4	727
24-36. Transponder Action Access Command Set Part 1	728
24-37. Transponder Action Access Command Set Part 2	729
24-38. Transponder Action Access Command Set Part 3	730
24-39. Transponder Action Access Command Set Part 4	731
24-40. Address Data of General Read	732
24-41. Address Data of Selective Read	732
24-42. Address Data of Mutual Authentication Read	733
24-43. Address Data of Selective Mutual Authentication Read	734
24-44. Address Data of General Program	734
24-45. Address Data of Selective Program	735
24-46. Address Data of Mutual Authentication Program	735
24-47. Address Data of Selective Mutual Authentication Program	735
24-48. Address Data of General Lock	736
24-49. Address Data of Selective Lock	736
24-50. Address Data of Mutual Authentication Lock	737
24-51. Address Data of Selective Mutual Authentication Lock	737
24-52. Address Data of General Program 128-Bit Encryption Keys	738
24-53. Address Data of Selective Program 128-Bit Encryption Keys	739
24-54. Address Data of Mutual Authentication Program 128-Bit Encryption Keys	740
24-55. Address Data of Selective Mutual Authentication Program 128-Bit Encryption Keys	741
24-56. Address Data of General AES Authentication	742
24-57. Address Data of Selective AES Authentication	742
24-58. Address Data of Mutual AES Authentication	743
24-59. Address Data of Selective Mutual AES Authentication	743
24-60. Address Data of Mutual Anticollision AES Authentication	744
24-61. Address Data of Selective Mutual Anticollision AES Authentication	744
24-62. Address Data of General MSP Access	745
24-63. Address Data of Selective MSP Access	745
24-64. Address Data of Mutual Authentication MSP Access	746
24-65. Address Data of Selective Mutual Authentication MSP Access	746
24-66. Address Data of General Battery Charge	747
24-67. Address Data of Selective Battery Charge	747
24-68. Address Data of Mutual Authentication Battery Charge	748
24-69. Address Data of Selective Mutual Authentication Battery Charge	748
24-70. Address Data of General Remote Antenna Trimming	749
24-71. Content of Write Trimming and Control Data	750
24-72. Description of Antenna Selection	750
24-73. Description of Program Control Bits	751
24-74. Address Data of Selective Remote Antenna Trimming	754
24-75. Address Data of Mutual Authentication Remote Antenna Trimming	754
24-76. Address Data of Selective Mutual Authentication Remote Antenna Trimming	754

24-77. Address Data of General Status Read	755
24-78. Address Data of Selective Status Read.....	755
24-79. Address Data of Mutual Authentication Status Read	755
24-80. Address Data of Selective Mutual Authentication Status Read.....	756
24-81. Status Codes of Transponder Memory Access Response	757
24-82. Status Code of AES Encryption Response	759
24-83. Status Code of Battery Charge Response.....	760
24-84. Status Code of Remote Antenna Trimming Response	761
24-85. Status Code of MSP Access Response	763
24-86. Program Encryption Key AES K1 Communication Details	765
24-87. Timing Parameter for Wake Pattern Detection.....	767
24-88. SPI Transponder Memory Access Command Set	785
24-89. SPI Transponder Action Access Command Set	786
24-90. SPI Read Status, Status Bytes Details.....	787
24-91. RAIDAES Control Commands.....	788
24-92. Load Encryption Data Register.....	789
24-93. Load Encryption Key Register From Page	789
24-94. Load Encryption Key Register and Encryption.....	790
24-95. Antenna Trimming Command	790
24-96. Antenna Trimming Command – Write Trim Data and Control	791
24-97. Antenna Selection Bits	792
24-98. Program, Trim, and Lock Control Bits.....	792
24-99. Antenna Trimming Command, Trim Status.....	792
24-100. Status Codes of Antenna Trimming Status Response	792
24-101. Encryption With Counter.....	794
24-102. Encryption Command With Counter – Counter Control Byte	794
24-103. DATA IN Command	795
24-104. Status Codes of DATA IN Response	796
24-105. DATA OUT Command	796
24-106. DATA OUT Command – Write Status	797
24-107. Status Codes of DATA OUT Response	797
24-108. Status Codes of LF MSP Access Status Response	798
24-109. CRC Calculation Command.....	798
24-110. RSSI Measurement Command	799
24-111. RSSI Control Byte	799
24-112. RSSI Response Format – Detailed	799
24-113. Counter Read/Increment Command	800
24-114. SPI Counter Read/Increment Command Counter Control Byte	801
24-115. Counter Program Command	801
24-116. SPI Counter Program Command	802
24-117. SPI Transponder Memory Access Status Response	803
24-118. SPI Transponder Memory Access Status Response	803
24-119. SPI Transponder Action Access Status Response	804
24-120. Status Codes of SPI Encryption Status Response.....	804
24-121. Status Codes of Increment Status Response.....	805



Read This First

About This Manual

This manual describes the modules and peripherals of the CC430RF430 family of devices. Each description presents the module or peripheral in a general sense. Not all features and functions of all modules or peripherals may be present on all devices. In addition, modules or peripherals may differ in their exact implementation between device families, or may not be fully implemented on an individual device or device family.

Pin functions, internal signal connections, and operational parameters differ from device to device. The user should consult the device-specific data sheet for these details.

Related Documentation From Texas Instruments

For related documentation see the web site <http://www.ti.com/msp430>.

FCC Warning

This equipment is intended for use in a laboratory test environment only. It generates, uses, and can radiate radio frequency energy and has not been tested for compliance with the limits of computing devices pursuant to subpart J of part 15 of FCC rules, which are designed to provide reasonable protection against radio frequency interference. Operation of this equipment in other environments may cause interference with radio communications, in which case the user at his own expense will be required to take whatever measures may be required to correct this interference.

Notational Conventions

Program examples, are shown in a special typeface.

Glossary

ACLK	Auxiliary Clock; see Section 3.1
ADC	Analog-to-Digital Converter
BOR	Brown-Out Reset; see Section 1.2
BSL	Bootstrap Loader; see www.ti.com/msp430 for application reports
CPU	Central Processing Unit; see Section 4.1
DAC	Digital-to-Analog Converter
DCO	Digitally Controlled Oscillator; see Section 3.2.6
dst	Destination; see Section 4.5
FLL	Frequency Locked Loop; see Section 3.2.7
GIE Modes	General Interrupt Enable; see Section 1.3.3
INT(N/2)	Integer portion of N/2
I/O	Input/Output; see Chapter 8
ISR	Interrupt Service Routine
LSB	Least-Significant Bit
LSD	Least-Significant Digit

LPM	Low-Power Mode; see Section 1.4 ; also named PM for Power Mode
MAB	Memory Address Bus
MCLK	Master Clock; see Section 3.1
MDB	Memory Data Bus
MSB	Most-Significant Bit
MSD	Most-Significant Digit
NMI	(Non)-Maskable Interrupt; see Section 1.3.1 ; also split to UNMI and SNMI
PC	Program Counter; see Section 4.3.1
PM	Power Mode; see Section 1.4
POR	Power-On Reset; see Section 1.2
PUC	Power-Up Clear; see Section 1.2
RAM	Random Access Memory
SCG	System Clock Generator; see Section 4.3.3
SFR	Special Function Register; Section 1.14
SMCLK	Sub-System Master Clock; see Section 3.1
SNMI	System NMI; see Section 1.3.1
SP	Stack Pointer; see Section 4.3.2
SR	Status Register; see Section 4.3.3
src	Source; see Section 4.5
TOS	Top of stack; see Section 4.3.2
UNMI	User NMI; see Section 1.3.1
WDT	Watchdog Timer; see Chapter 12
z16	16-bit address space

Register Bit Conventions

Each register is shown with a key indicating the accessibility of the each individual bit, and the initial condition:

Register Bit Accessibility and Initial Condition

Key	Bit Accessibility
rw	Read/write
r	Read only
r0	Read as 0
r1	Read as 1
w	Write only
w0	Write as 0
w1	Write as 1
(w)	No register bit implemented; writing a 1 results in a pulse. The register bit is always read as 0.
h0	Cleared by hardware
h1	Set by hardware
-0,-1	Condition after PUC
-(0),-(1)	Condition after POR
-[0],[1]	Condition after BOR
-(0),-{1}	Condition after Brownout

System Resets, Interrupts, and Operating Modes, System Control Module (SYS)

The system control module (SYS) is available on all devices. The following list shows the basic feature set of SYS.

- Brownout reset/power on reset (BOR/POR) handling
- Power up clear (PUC) handling
- (Non)maskable interrupt (SNMI/UNMI) event source selection and management
- Address decoding
- Providing an user data-exchange mechanism via the JTAG mailbox (JMB)
- Bootstrap loader (BSL) entry mechanism
- Configuration management (device descriptors)
- Providing interrupt vector generators for reset and NMIs

Topic	Page
1.1 System Control Module (SYS) Introduction	37
1.2 System Reset and Initialization	37
1.3 Interrupts	39
1.4 Operating Modes	45
1.5 Principles for Low-Power Applications	50
1.6 Connection of Unused Pins	50
1.7 Reset Pin (RST/NMI) Configuration	51
1.8 Configuring JTAG pins	51
1.9 Boot Code	51
1.10 Bootstrap Loader (BSL)	51
1.11 Memory Map – Uses and Abilities	53
1.12 JTAG Mailbox (JMB) System	54
1.13 Device Descriptor Table	55
1.14 SFR Registers	65
1.15 SYS Registers	70

1.1 System Control Module (SYS) Introduction

SYS is responsible for the interaction between various modules throughout the system. The functions that SYS provides for are not inherent to the modules themselves. Address decoding, bus arbitration, interrupt event consolidation, and reset generation are some examples of the many functions that SYS provides.

1.2 System Reset and Initialization

The system reset circuitry is shown in [Figure 1-1](#) and sources a brownout reset (BOR), a power on reset (POR), and a power up clear (PUC). Different events trigger these reset signals and different initial conditions exist depending on which signal was generated.

A BOR is a device reset. A BOR is only generated by the following events:

- Powering up the device
- A low signal on $\overline{\text{RST}}/\text{NMI}$ pin when configured in the reset mode
- A wakeup event from LPMx.5 (LPM3.5 or LPM4.5) modes
- A software BOR event

A POR is always generated when a BOR is generated, but a BOR is not generated by a POR. The following events trigger a POR:

- A BOR signal
- A SVS_H and/or SVS_M low condition when enabled (see the [PMM chapter](#) for details)
- A SVS_L and/or SVS_L low condition when enabled (see the [PMM chapter](#) for details)
- A software POR event

A PUC is always generated when a POR is generated, but a POR is not generated by a PUC. The following events trigger a PUC:

- A POR signal
- Watchdog timer expiration when watchdog mode only (see the [WDT_A chapter](#) for details)
- Watchdog timer password violation (see the [WDT_A chapter](#) for details)
- A Flash memory password violation (see the [Flash Controller chapter](#) for details)
- Power Management Module password violation (see the [PMM chapter](#) for details)
- Fetch from peripheral area

NOTE: The number and type of resets available may vary from device to device. See the device-specific data sheet for all reset sources available.

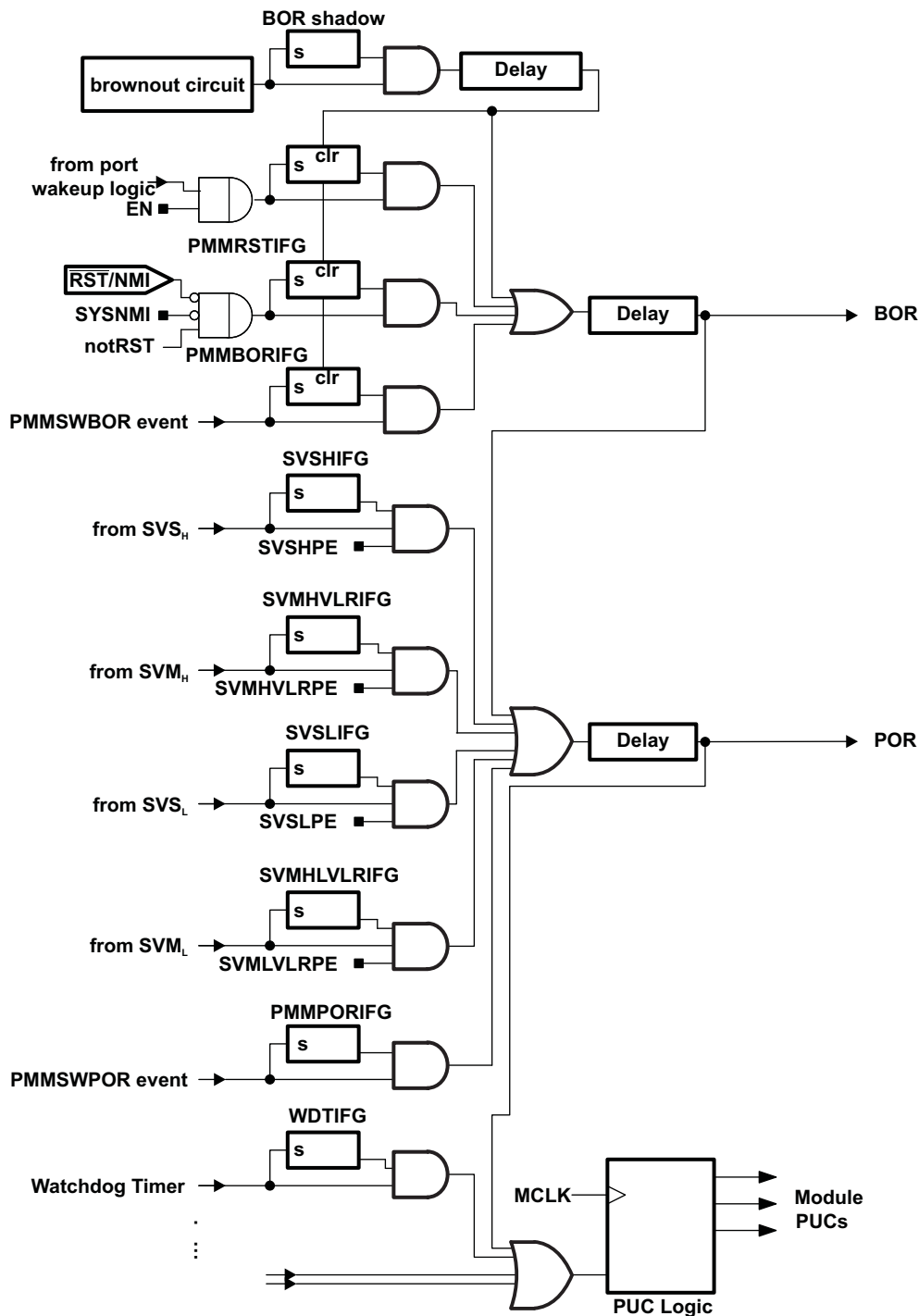


Figure 1-1. BOR/POR/PUC Reset Circuit

1.2.1 Device Initial Conditions After System Reset

After a BOR, the initial device conditions are:

- The $\overline{\text{RST}}/\text{NMI}$ pin is configured in the reset mode. See [Section 1.7](#) on configuring the $\overline{\text{RST}}/\text{NMI}$ pin.
- I/O pins are switched to input mode as described in the [Digital I/O chapter](#).
- Other peripheral modules and registers are initialized as described in their respective chapters in this manual.
- Status register (SR) is reset.
- The watchdog timer powers up active in watchdog mode.
- Program counter (PC) is loaded with the boot code address and boot code execution begins at that address. See [Section 1.9](#) for more information regarding the boot code. Upon completion of the boot code, the PC is loaded with the address contained at the SYSRSTIV reset location (0FFFEh).

After a system reset, user software must initialize the device for the application requirements. The following must occur:

- Initialize the stack pointer (SP), typically to the top of RAM.
- Initialize the watchdog to the requirements of the application.
- Configure peripheral modules to the requirements of the application.

NOTE: A device that is unprogrammed or blank is defined as having its reset vector value, residing at memory address FFFEh, equal to FFFFh. Upon system reset of a blank device, the device enters operating mode LPM4 automatically. See [Section 1.4](#) for information on operating modes and [Section 1.3.6](#) for details on interrupt vectors.

NOTE: Some SRAM locations can be modified by the boot code (refer to [Section 1.9](#)) after a BOR event. These SRAM locations, when available, are at SRAM locations 01CFAh through 01CFFh and 023FAh through 023FFh.

1.3 Interrupts

The interrupt priorities are fixed and defined by the arrangement of the modules in the connection chain as shown in [Figure 1-2](#). Interrupt priorities determine what interrupt is taken when more than one interrupt is pending simultaneously.

There are three types of interrupts:

- System reset
- (Non)maskable
- Maskable

NOTE: The types of interrupt sources available and their respective priorities can change from device to device. See the device-specific data sheet for all interrupt sources and their priorities.

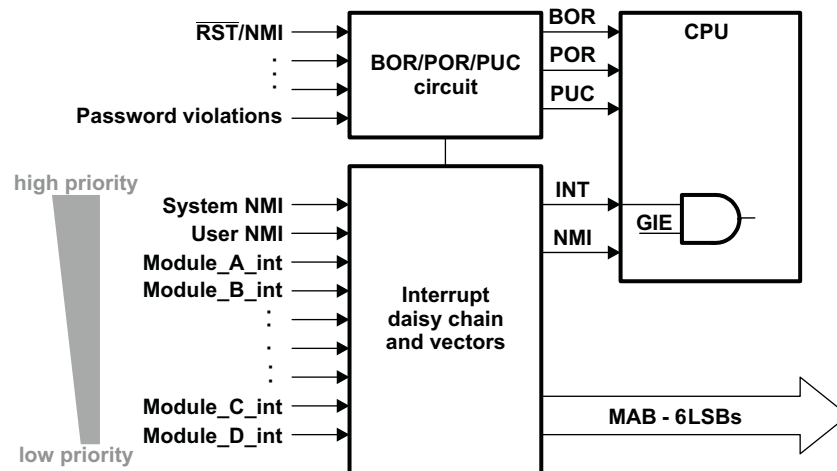


Figure 1-2. Interrupt Priority

1.3.1 (Non)Maskable Interrupts (NMIs)

In general, NMIs are not masked by the general interrupt enable (GIE) bit. The family supports two levels of NMIs — system NMI (SNMI) and user NMI (UNMI). The NMI sources are enabled by individual interrupt enable bits. When an NMI interrupt is accepted, other NMIs of that level are automatically disabled to prevent nesting of consecutive NMIs of the same level. Program execution begins at the address stored in the NMI vector as shown in [Table 1-1](#). To allow software backward compatibility to users of earlier MSP430 families, the software may, but does not need to, reenabling NMI sources. The block diagram for NMI sources is shown in [Figure 1-3](#).

A UNMI interrupt can be generated by following sources:

- An edge on the $\overline{\text{RST/NMI}}$ pin when configured in NMI mode
- An oscillator fault occurs
- An access violation to the flash memory

A SNMI interrupt can be generated by following sources:

- Power Management Module (PMM) $\text{SVM}_L/\text{SVM}_H$ supply voltage fault
- PMM high/low side delay expiration
- Vacant memory access
- JTAG mailbox (JMB) event

NOTE: The number and types of NMI sources may vary from device to device. See the device-specific data sheet for all NMI sources available.

1.3.2 SNMI Timing

Consecutive SNMIs that occur at a higher rate than they can be handled (interrupt storm) allow the main program to execute one instruction after the SNMI handler is finished with a RETI instruction, before the SNMI handler is executed again. Consecutive SNMIs are not interrupted by UNMIs in this case. This avoids a blocking behavior on high SNMI rates.

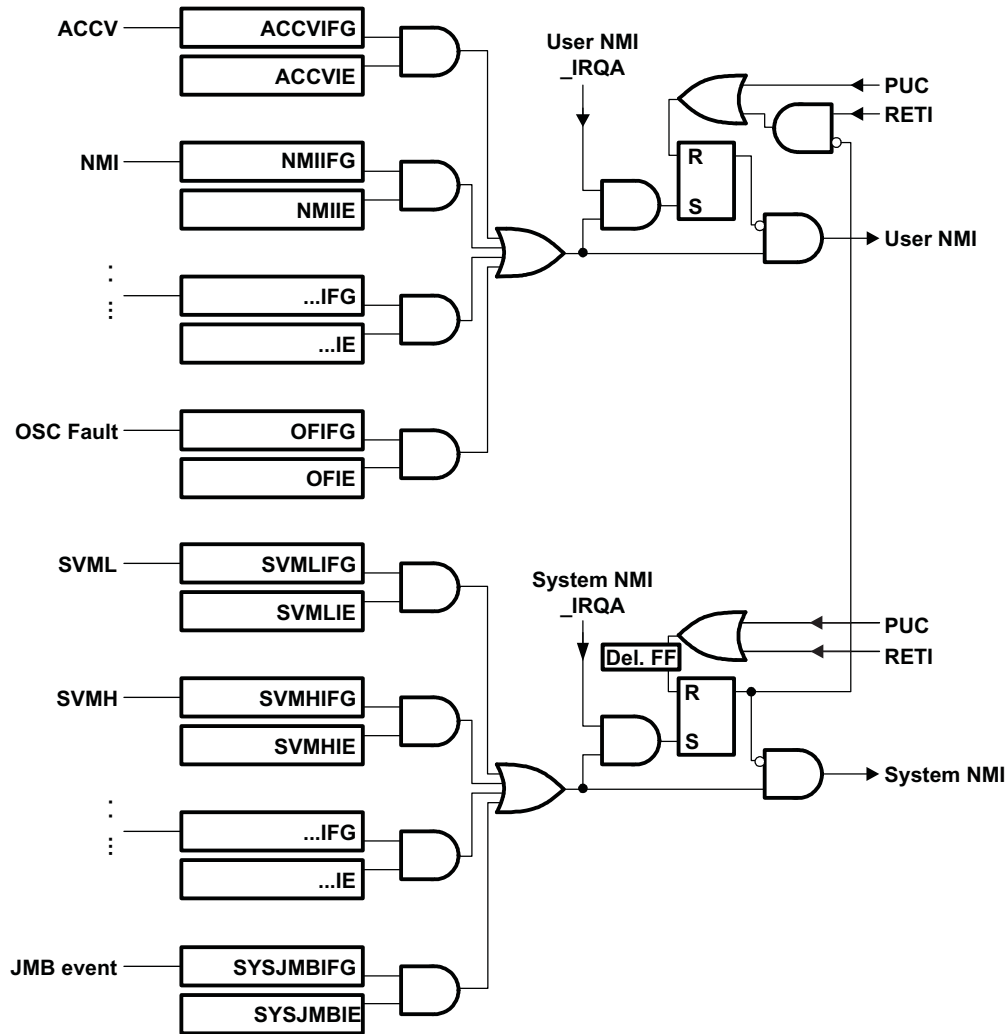


Figure 1-3. NMIs With Reentrance Protection

1.3.3 Maskable Interrupts

Maskable interrupts are caused by peripherals with interrupt capability. Each maskable interrupt source can be disabled individually by an interrupt enable bit, or all maskable interrupts can be disabled by the general interrupt enable (GIE) bit in the status register (SR).

Each individual peripheral interrupt is discussed in its respective module chapter in this manual.

1.3.4 Interrupt Processing

When an interrupt is requested from a peripheral and the peripheral interrupt enable bit and GIE bit are set, the interrupt service routine is requested. Only the individual enable bit must be set for (non)-maskable interrupts (NMI) to be requested.

1.3.4.1 Interrupt Acceptance

The interrupt latency is six cycles, starting with the acceptance of an interrupt request, and lasting until the start of execution of the first instruction of the interrupt service routine, as shown in [Figure 1-4](#). The interrupt logic executes the following:

1. Any currently executing instruction is completed.
2. The PC, which points to the next instruction, is pushed onto the stack.
3. The SR is pushed onto the stack.
4. The interrupt with the highest priority is selected if multiple interrupts occurred during the last instruction and are pending for service.
5. The interrupt request flag resets automatically on single-source flags. Multiple source flags remain set for servicing by software.
6. All bits of SR are cleared except SCG0, thereby terminating any low-power mode. Because the GIE bit is cleared, further interrupts are disabled.
7. The content of the interrupt vector is loaded into the PC; the program continues with the interrupt service routine at that address.

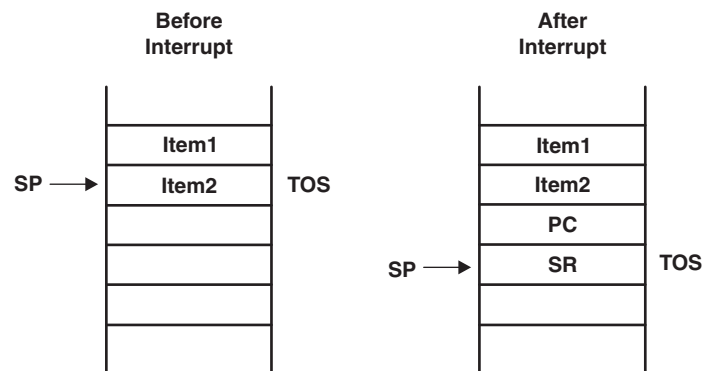


Figure 1-4. Interrupt Processing

1.3.4.2 Return From Interrupt

The interrupt handling routine terminates with the instruction:

```
RETI //return from an interrupt service routine
```

The return from the interrupt takes five cycles to execute the following actions and is illustrated in Figure 1-5.

1. The SR with all previous settings pops from the stack. All previous settings of GIE, CPUOFF, etc. are now in effect, regardless of the settings used during the interrupt service routine.
2. The PC pops from the stack and begins execution at the point where it was interrupted.

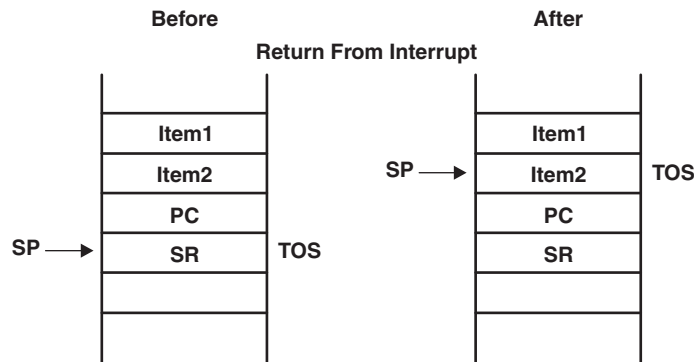


Figure 1-5. Return From Interrupt

1.3.5 Interrupt Nesting

Interrupt nesting is enabled if the GIE bit is set inside an interrupt service routine. When interrupt nesting is enabled, any interrupt occurring during an interrupt service routine interrupts the routine, regardless of the interrupt priorities.

1.3.6 Interrupt Vectors

The interrupt vectors are located in the address range 0FFFFh to 0FF80h, for a maximum of 64 interrupt sources. A vector is programmed by the user and points to the start location of the corresponding interrupt service routine. Table 1-1 is an example of the interrupt vectors available. See the device-specific data sheet for the complete interrupt vector list.

Table 1-1. Interrupt Sources, Flags, and Vectors

Interrupt Source	Interrupt Flag	System Interrupt	Word Address	Priority
Reset: power up, external reset watchdog, flash password	... WDTIFG KEYV	... Reset	... 0FFFEh	... Highest
System NMI: PMM		(Non)maskable	0FFFCCh	...
User NMI: NMI, oscillator fault, flash memory access violation	... NMIFG OFIFG ACCVIFG	... (Non)maskable (Non)maskable (Non)maskable	... 0FFFAh
Device specific			0FFF8h	...
...		
Watchdog timer	WDTIFG	Maskable
...		
Device specific		
Reserved		Maskable	...	Lowest

Some interrupt enable bits, and interrupt flags, as well as, control bits for the $\overline{\text{RST}}$ /NMI pin are located in the special function registers (SFR). The SFR are located in the peripheral address range and are byte and word accessible. See the device-specific data sheet for the SFR configuration.

1.3.6.1 Alternate Interrupt Vectors

It is possible to use the RAM as an alternate location for the interrupt vector locations. Setting the SYSRIVECT bit in SYSCTL causes the interrupt vectors to be remapped to the top of RAM. Once set, any interrupt vectors to the alternate locations now residing in RAM. Because SYSRIVECT is automatically cleared on a BOR, it is critical that the reset vector at location 0FFFFeh still be available and handled properly in firmware.

1.3.7 SYS Interrupt Vector Generators

SYS collects all system NMI (SNMI) sources, user NMI (UNMI) sources, and BOR/POR/PUC (reset) sources of all the other modules. They are combined into three interrupt vectors. The interrupt vector registers SYSRSTIV, SYSSNIV, SYSUNIV are used to determine which flags requested an interrupt or a reset. The interrupt with the highest priority of a group, when enabled, generates a number in the corresponding SYSRSTIV, SYSSNIV, SYSUNIV register. This number can be directly added to the program counter, causing a branch to the appropriate portion of the interrupt service routine. Disabled interrupts do not affect the SYSRSTIV, SYSSNIV, SYSUNIV values. Reading SYSRSTIV, SYSSNIV, SYSUNIV register automatically resets the highest pending interrupt flag of that register. If another interrupt flag is set, another interrupt is immediately generated after servicing the initial interrupt. Writing to the SYSRSTIV, SYSSNIV, SYSUNIV register automatically resets all pending interrupt flags of the group.

1.3.7.1 SYSSNIV Software Example

The following software example shows the recommended use of SYSSNIV. The SYSSNIV value is added to the PC to automatically jump to the appropriate routine. For SYSRSTIV and SYSUNIV, a similar software approach can be used. The following is an example for a generic device. Vectors can change in priority for a given device. The device specific data sheet should be referenced for the vector locations. All vectors should be coded symbolically to allow for easy portability of code.

```

SNI_ISR:  ADD      &SYSSNIV,PC ; Add offset to jump table
          RETI      ; Vector 0: No interrupt
          JMP      SVML_ISR    ; Vector 2: SVMLIFG
          JMP      SVMH_ISR    ; Vector 4: SVMHIFG
          JMP      DLYL_ISR    ; Vector 6: SVSMLDLYIFG
          JMP      DLYH_ISR    ; Vector 8: SVSMHDLYIFG
          JMP      VMA_ISR     ; Vector 10: VMAIFG
          JMP      JMBI_ISR    ; Vector 12: JMBINIFG
JMBO_ISR: ; Vector 14: JMBOUTIFG
...       ; Task_E starts here
          RETI      ; Return
SVML_ISR: ; Vector 2
...       ; Task_2 starts here
          RETI      ; Return
SVMH_ISR: ; Vector 4
...       ; Task_4 starts here
          RETI      ; Return
DLYL_ISR: ; Vector 6
...       ; Task_6 starts here
          RETI      ; Return
DLYH_ISR: ; Vector 8
...       ; Task_8 starts here
          RETI      ; Return
VMA_ISR:  ; Vector A
...       ; Task_A starts here
          RETI      ; Return
JMBI_ISR: ; Vector C
...       ; Task_C starts here
          RETI      ; Return

```

1.3.7.2 SYSBERRIV Bus Error Interrupt Vector Generator

Some devices, for example those that contain the USB module, include an additional system interrupt vector generator, SYSBERRIV. In general, any type of system related bus error or timeout error is associated with a user NMI event. Upon this event, the SYSUNIV contains an offset value corresponding to a bus error event (BUSIFG). This offset can be added to the PC to automatically jump to the appropriate NMI routine. Similarly, SYSBERRIV also contains an offset value corresponding to which specific event caused the bus error event. The offset value in SYSBERRIV can be added inside the NMI routine to automatically jump to the appropriate routine. In this way, the SYSBERRIV can be thought of as an extension to the user NMI vectors.

1.4 Operating Modes

The MSP430 family is designed for ultralow-power applications and uses different operating modes shown in [Figure 1-6](#).

The operating modes take into account three different needs:

- Ultralow power
- Speed and data throughput
- Minimization of individual peripheral current consumption

The low-power modes LPM0 through LPM4 are configured with the CPUOFF, OSCOFF, SCG0, and SCG1 bits in the SR. The advantage of including the CPUOFF, OSCOFF, SCG0, and SCG1 mode-control bits in the SR is that the present operating mode is saved onto the stack during an interrupt service routine. Program flow returns to the previous operating mode if the saved SR value is not altered during the interrupt service routine. Program flow can be returned to a different operating mode by manipulating the saved SR value on the stack inside of the interrupt service routine. When setting any of the mode-control bits, the selected operating mode takes effect immediately. Peripherals operating with any disabled clock are disabled until the clock becomes active. Peripherals may also be disabled with their individual control register settings. All I/O port pins and RAM/registers are unchanged. Wakeup from LPM0 through LPM4 is possible through all enabled interrupts.

When LPMx.5 (LPM3.5 or LPM4.5) is entered, the voltage regulator of the Power Management Module (PMM) is disabled. All RAM and register contents are lost. Although the I/O register contents are lost, the I/O pin states are locked upon LPMx.5 entry. See the [Digital I/O chapter](#) for further details. Wakeup from LPM4.5 is possible via a power sequence, a $\overline{\text{RST}}$ event, or from specific I/O. Wakeup from LPM3.5 is possible via a power sequence, a $\overline{\text{RST}}$ event, RTC event, or from specific I/O.

NOTE: LPM3.5 and LPM4.5 low power modes are not available on all devices. See the device specific data sheet to see which LPMx.5 power modes are available.

NOTE: The TEST/SBWTCK pin is used for interfacing to the development tools via Spy-Bi-Wire and JTAG. When the TEST/SBWTCK pin is high, wakeup times from LPM2, LPM3, and LPM4 may be different compared to when TEST/SBWTCK is low. Pay careful attention to the real-time behavior when exiting from LPM2, LPM3, and LPM4 with the device connected to a development tool (for example, MSP-FET430UIF). See the [PMM chapter](#) for details.

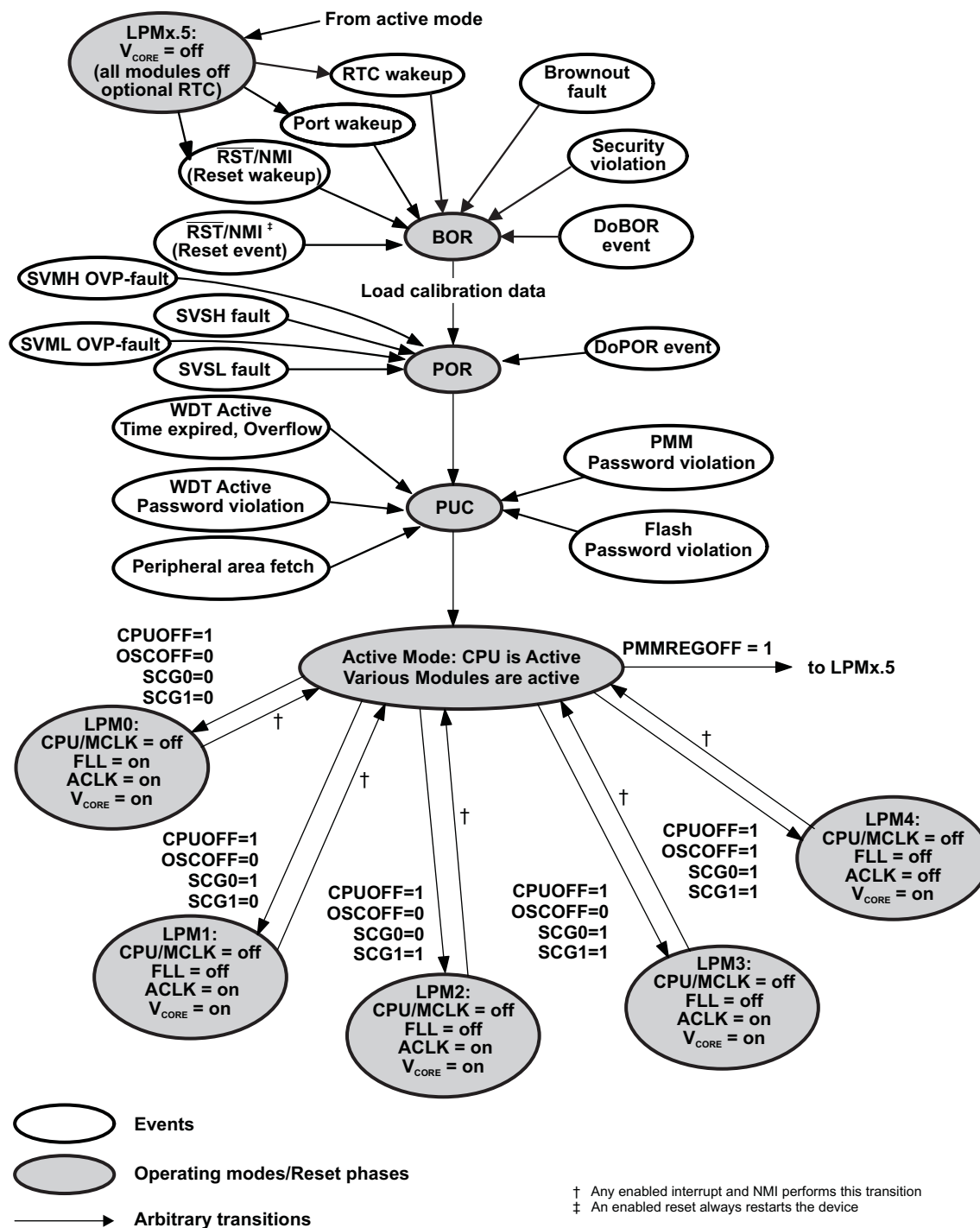


Figure 1-6. Operation Modes

Table 1-2. Operation Modes

SCG1 ⁽¹⁾	SCG0	OSCOFF ⁽¹⁾	CPUOFF ⁽¹⁾	Mode	CPU and Clocks Status ⁽²⁾
0	0	0	0	Active	CPU, MCLK are active. ACLK is active. SMCLK optionally active (SMCLKOFF = 0). DCO is enabled if sources ACLK, MCLK, or SMCLK (SMCLKOFF = 0). DCO bias is enabled if DCO is enabled or DCO sources MCLK or SMCLK (SMCLKOFF = 0). FLL is enabled if DCO is enabled.
0	0	0	1	LPM0	CPU, MCLK are disabled. ACLK is active. SMCLK optionally active (SMCLKOFF = 0). DCO is enabled if sources ACLK or SMCLK (SMCLKOFF = 0). DCO bias is enabled if DCO is enabled or DCO sources MCLK or SMCLK (SMCLKOFF = 0). FLL is enabled if DCO is enabled.
0	1	0	1	LPM1	CPU, MCLK are disabled. ACLK is active. SMCLK optionally active (SMCLKOFF = 0). DCO is enabled if sources ACLK or SMCLK (SMCLKOFF = 0). DCO bias is enabled if DCO is enabled or DCO sources MCLK or SMCLK (SMCLKOFF = 0). FLL is disabled.
1	0	0	1	LPM2	CPU, MCLK are disabled. ACLK is active. SMCLK is disabled. DCO is enabled if sources ACLK. FLL is disabled.
1	1	0	1	LPM3	CPU, MCLK are disabled. ACLK is active. SMCLK is disabled. DCO is enabled if sources ACLK. FLL is disabled.
1	1	1	1	LPM4	CPU and all clocks are disabled.
1	1	1	1	LPM3.5 ⁽³⁾	When PMMREGOFF = 1, regulator is disabled. No memory retention. In this mode, RTC operation is possible when configured properly. See the RTC module for further details.
1	1	1	1	LPM4.5 ⁽³⁾	When PMMREGOFF = 1, regulator is disabled. No memory retention. In this mode, all clock sources are disabled; that is, no RTC operation is possible.

⁽¹⁾ This bit is automatically reset when exiting low power modes. Please refer to [Section 1.4.1](#) for details.

⁽²⁾ The low-power modes and, hence, the system clocks can be affected by the clock request system. See the [UCS chapter](#) for details.

⁽³⁾ LPM3.5 and LPM4.5 modes are not available on all devices. See the device-specific data sheet for availability.

1.4.1 Entering and Exiting Low-Power Modes LPM0 Through LPM4

An enabled interrupt event wakes the device from low-power operating modes LPM0 through LPM4. The program flow for exiting LPM0 through LPM4 is:

- Enter interrupt service routine
 - The PC and SR are stored on the stack.
 - The CPUOFF, SCG1, and OSCOFF bits are automatically reset.
- Options for returning from the interrupt service routine
 - The original SR is popped from the stack, restoring the previous operating mode.
 - The SR bits stored on the stack can be modified within the interrupt service routine returning to a different operating mode when the RETI instruction is executed.

```

; Enter LPM0 Example
  BIS   #GIE+CPUOFF,SR           ; Enter LPM0
;   ...                          ; Program stops here
;
; Exit LPM0 Interrupt Service Routine
  BIC   #CPUOFF,0(SP)           ; Exit LPM0 on RETI
  RETI

; Enter LPM3 Example
  BIS   #GIE+CPUOFF+SCG1+SCG0,SR ; Enter LPM3
;   ...                          ; Program stops here
;
; Exit LPM3 Interrupt Service Routine
  BIC   #CPUOFF+SCG1+SCG0,0(SP) ; Exit LPM3 on RETI
  RETI

; Enter LPM4 Example
  BIS   #GIE+CPUOFF+OSCOFF+SCG1+SCG0,SR ; Enter LPM4
;   ...                          ; Program stops here
;
; Exit LPM4 Interrupt Service Routine
  BIC   #CPUOFF+OSCOFF+SCG1+SCG0,0(SP) ; Exit LPM4 on RETI
  RETI

```

1.4.2 Entering and Exiting Low-Power Modes LPMx.5

LPMx.5 entry and exit is handled differently than the other low power modes. LPMx.5, when used properly, gives the lowest power consumption available on a device. To achieve this, entry to LPMx.5 disables the LDO of the PMM module, removing the supply voltage from the core of the device. Since the supply voltage is removed from the core, all register contents, as well as, SRAM contents are lost. Exit from LPMx.5 causes a BOR event, which forces a complete reset of the system. Therefore, it is the application's responsibility to properly reconfigure the device upon exit from LPMx.5.

The wakeup time from LPMx.5 is significantly longer than the wakeup time from the other power modes (please see the device specific data sheet). This is primarily due to the facts that after exit from LPMx.5, time is required for the core voltage supply to be regenerated, as well as, boot code execution to complete before the application code can begin. Therefore, the usage of LPMx.5 is restricted to very low duty cycle events.

There are two LPMx.5 power modes, LPM3.5 and LPM4.5. Not all of these are available on all devices. See the device specific data sheet to see which LPMx.5 power modes are available. LPM4.5 allows for the lowest power consumption available. No clock sources are active during LPM4.5. LPM3.5 is similar to LPM4.5, but has the additional capability of having a RTC mode available. In addition to the wakeup events possible in LPM4.5, RTC wakeup events are also possible in LPM3.5.

The program flow for entering LPMx.5 is:

1. Configure I/O appropriately. See the [Digital I/O chapter](#) for complete details on configuring I/O for LPMx.5.
 - Set all ports to general purpose I/O. Configure each port to ensure no floating inputs based on the application requirements.
 - If wakeup from I/O is desired, configure input ports with interrupt capability appropriately.
2. If LPM3.5 is available, and desired, enable RTC operation. In addition, configure any RTC interrupts, if desired for LPM3.5 wakeup event. See the [RTC Overview chapter](#) for complete details.
3. Ensure clock system settings allow LPMx.5 entry according to [Table 3-1](#) in [UCS chapter](#).
4. Enter LPMx.5 by setting PMMREGOFF=1 and LPM4 status register bits. The following code example shows how to enter LPMx.5 mode. See the [PMM chapter](#) for further details.

```

; Enter LPMx.5 Example
MOV.B #PMPW_H, &PMMCTL0_H           ; Open PMM registers for write
BIS.B #PMMREGOFF, &PMMCTL0_L       ;
BIS #GIE+CPUOFF+OSCOFF+SCG1+SCG0,SR ; Enter LPMx.5 when PMMREGOFF is set.
    
```

Exit from LPMx.5 is possible with a $\overline{\text{RST}}$ event, a power on cycle, or via specific I/O. Any exit from LPMx.5 causes a BOR. Program execution continues at the location stored in the system reset vector location 0FFFFeh after execution of the boot code. The PMMLPM5IFG bit inside the PMM module is set indicating that the device was in LPMx.5 prior to the wakeup event. Additionally, SYSRSTIV = 08h which can be used to generate an efficient reset handler routine. During LPMx.5, all I/O pin conditions are automatically locked to the current state. Upon exit from LPMx.5, the I/O pin conditions remain locked until the application unlocks them. See the [Digital I/O chapter](#) for complete details. If LPM3.5 was in effect, RTC operation continues uninterrupted upon wake-up. The program flow for exiting LPMx.5 is:

- Enter system reset service routine
 - Reconfigure system as required for the application.
 - Reconfigure I/O as required for the application.

1.4.3 Extended Time in Low-Power Modes

The temperature coefficient of the DCO should be considered when the DCO is disabled for extended low-power mode periods. If the temperature changes significantly, the DCO frequency at wakeup may be significantly different from when the low-power mode was entered and may be out of the specified operating range. To avoid this, the DCO can be set to its lowest value before entering the low-power mode for extended periods of time where temperature can change.

```

; Enter LPM4 Example with lowest DCO Setting
BIC #SCG0, SR                       ; Disable FLL
MOV #0100h, &UCSCTL0                 ; Set DCO tap to first tap, clear
modulation.
BIC #DCORSEL2+DCORSEL1+DCORSEL0,&UCSCTL1 ; Lowest DCORSEL
BIS #GIE+CPUOFF+OSCOFF+SCG1+SCG0,SR   ; Enter LPM4
; ...                                 ; Program stops
;

; Interrupt Service Routine
BIC #CPUOFF+OSCOFF+SCG1+SCG0,0(SR)    ; Exit LPM4 on RETI
RETI
    
```

1.5 Principles for Low-Power Applications

Often, the most important factor for reducing power consumption is using the device clock system to maximize the time in LPM3 or LPM4 modes whenever possible.

- Use interrupts to wake the processor and control program flow.
- Peripherals should be switched on only when needed.
- Use low-power integrated peripheral modules in place of software driven functions. For example, Timer_A and Timer_B can automatically generate PWM and capture external timing with no CPU resources.
- Calculated branching and fast table look-ups should be used in place of flag polling and long software calculations.
- Avoid frequent subroutine and function calls due to overhead.
- For longer software routines, single-cycle CPU registers should be used.
- Overwrite RAM control register RCCTL0 with all not available and unused segments set to powered down (= 1). For information about used RAM segments see the device-specific data sheet.

If the application has low duty cycle, slow response time events, maximizing time in LPMx.5 can further reduce power consumption significantly.

1.6 Connection of Unused Pins

The correct termination of all unused pins is listed in [Table 1-3](#).

Table 1-3. Connection of Unused Pins⁽¹⁾

Pin	Potential	Comment
AVCC	DV _{CC}	
AVSS	DV _{SS}	
Px.0 to Px.7	Open	Switched to port function, output direction (PxDIR.n = 1)
XIN	DV _{SS}	For dedicated XIN pins only. XIN pins with shared GPIO functions should be programmed to GPIO and follow Px.0 to Px.7 recommendations.
XOUT	Open	For dedicated XOUT pins only. XOUT pins with shared GPIO functions should be programmed to GPIO and follow Px.0 to Px.7 recommendations.
XT2IN	DV _{SS}	For dedicated XT2IN pins only. XT2IN pins with shared GPIO functions should be programmed to GPIO and follow Px.0 to Px.7 recommendations.
XT2OUT	Open	For dedicated XT2OUT pins only. XT2OUT pins with shared GPIO functions should be programmed to GPIO and follow Px.0 to Px.7 recommendations.
LCDCAP	DV _{SS}	
$\overline{\text{RST}}/\text{NMI}$	DV _{CC} or V _{CC}	47-k Ω pullup or internal pullup selected with 10-nF (2.2 nF) pulldown ⁽²⁾
PJ.0/TDO PJ.1/TDI PJ.2/TMS PJ.3/TCK	Open	The JTAG pins are shared with general purpose I/O function (PJ.x). If not being used, these should be switched to port function, output direction (PJDIR.n = 1). When used as JTAG pins, these pins should remain open.
TEST	Open	This pin always has an internal pulldown enabled.
GUARD	DV _{CC}	If radio module is not used in the application
R_BIAS	DV _{SS}	If radio module is not used in the application
AVCC_RF	DV _{CC}	If radio module is not used in the application
RF_N	Open	If radio module is not used in the application
RF_P	Open	If radio module is not used in the application
RF_XIN	DV _{SS}	If radio module is not used in the application
RF_XOUT	Open	If radio module is not used in the application
V18	Open	For USB devices only when USB module is not being used in the application

⁽¹⁾ Any unused pin with a secondary function that is shared with general purpose I/O should follow the Px.0 to Px.7 unused pin connection guidelines.

⁽²⁾ The pulldown capacitor should not exceed 2.2 nF when using devices with Spy-Bi-Wire interface in Spy-Bi-Wire mode or in 4-wire JTAG mode with TI tools like FET interfaces or GANG programmers.

Table 1-3. Connection of Unused Pins⁽¹⁾ (continued)

Pin	Potential	Comment
PUR ⁽³⁾	DV _{SS}	For USB devices only when USB module is not being used in the application
VUSB	Open	For USB devices only when USB module is not being used in the application
PU.0/DP PU.1/DM	Open	For USB devices only when USB module is not being used in the application
VBUS, VSSU	DV _{SS}	For USB devices only when USB module is not being used in the application
LDOI	DV _{SS}	For devices with LDO-PWR module when not being used in the application.
LDOO	Open	For devices with LDO-PWR module when not being used in the application.

⁽³⁾ The default USB BSL evaluates the state of the PUR pin after a BOR reset. If it's pulled high externally, then the BSL is invoked. Therefore, unless when invoking the BSL, it's important to keep PUR pulled low after a BOR reset, even if BSL or USB is never used. A 1M ohm resistor to ground is recommended.

1.7 Reset Pin ($\overline{\text{RST}}$ /NMI) Configuration

The reset pin can be configured as a reset function (default) or as an NMI function via the Special Function Register (SFR), SFRRPCR. Setting SYSNMI causes the $\overline{\text{RST}}$ /NMI pin to be configured as an external NMI source. The external NMI is edge sensitive, and its edge is selectable by SYSNMIIES. Setting the NMIIE enables the interrupt of the external NMI. Upon an external NMI event, the NMIIFG is set.

The $\overline{\text{RST}}$ /NMI pin can have either a pullup or pulldown present or not. SYSRSTUP selects either pullup or pulldown and SYSRSTRE causes the pullup or pulldown to be enabled or not. If the $\overline{\text{RST}}$ /NMI pin is unused, it is required to have either the internal pullup selected and enabled or an external resistor connected to the $\overline{\text{RST}}$ /NMI pin as shown in [Table 1-3](#).

NOTE: All devices except the MSP430F543x (non-A devices) have the internal pullup enabled. In this case, no external pullup resistor is required.

1.8 Configuring JTAG pins

The JTAG pins are shared with general purpose I/O pins. There are several ways that the JTAG pins can be selected for four wire JTAG mode via software. Normally, upon a BOR, SYSJTAGPIN is cleared. With SYSJTAGPIN cleared, the JTAG are configured as general-purpose I/O. See the [Digital I/O chapter](#) for details on controlling the JTAG pins as general purpose I/O. If SYSJTAG = 1, the JTAG pins are configured to four wire JTAG mode and remain in this mode until another BOR condition occurs. Therefore, SYSJTAGPIN is a write only once function. Clearing it by software is not possible, and the device does not change from four wire JTAG mode to general purpose I/O.

1.9 Boot Code

The boot code is always executed after a BOR. The boot code loads factory stored calibration values of the oscillator and reference voltages. In addition, it checks for the presence of a user-defined boot strap loader (BSL).

1.10 Bootstrap Loader (BSL)

The BSL is software that is executed after start-up when a certain BSL entry condition is applied. The BSL enables the user to communicate with the embedded memory in the microcontroller during the prototyping phase, final production, and in service. All memory mapped resources, the programmable memory (flash memory), the data memory (RAM), and the peripherals, can be modified by the BSL as required. The user can define custom BSL code for flash-based devices and protect it against erasure and unintentional or unauthorized access.

On devices without USB, a basic BSL program is provided by TI. This supports the commonly used UART protocol with RS232 interfacing, allowing flexible use of both hardware and software. To use the BSL, a specific BSL entry sequence must be applied to specific device pins. The correct entry sequence causes SYSBSLIND to be set. An added sequence of commands initiates the desired function. A boot-loading session can be exited by continuing operation at a defined user program address or by applying the standard reset sequence. Access to the device memory via the BSL is protected against misuse by a user-defined password. Devices with USB have a USB based BSL program provided by TI. For more details, see the *MSP430 Programming Via the Bootstrap Loader User's Guide (SLAU319)* at www.ti.com/msp430.

The amount of BSL memory that is available is device specific. The BSL memory size is organized into segments and can be set using the SYSBSLSIZE bits. See the device specific data sheet for the number and size of the segments available. It is possible to assign a small amount of RAM to the allocated BSL memory. Setting SYSBSLR allocates the lowest 16 bytes of RAM for the BSL. When the BSL memory is protected, access to these RAM locations is only possible from within the protected BSL memory segments.

It may be desirable in some BSL applications to only allow changing of the Power Management Module settings from the protected BSL segments. This is possible with the SYSPMMPE bit. Normally, this bit is cleared and allows access of the PMM control registers from any memory location. Setting SYSPMMPE, allows access to the PMM control registers only from the protected BSL memory. Once set, SYSPMMPE can only be cleared by a BOR event.

1.11 Memory Map – Uses and Abilities

This memory map represents the MSP430F5438 device. Though the address ranges differs from device to device, overall behavior remains the same.

Can generate NMI on read/write/fetch							
Generates PUC on fetch access							
Protectable for read/write accesses							
Always able to access PMM registers from ⁽¹⁾ ; Mass erase by user possible							
Mass erase by user possible							
Bank erase by user possible							
Segment erase by user possible							
Address Range	Name and Usage	Properties					
00000h-00FFFh	Peripherals with gaps						
00000h-000FFh	Reserved for system extension						
00100h-00FEFh	Peripherals					x	
00FF0h-00FF3h	Descriptor type ⁽²⁾					x	
00FF4h-00FF7h	Start address of descriptor structure						x
01000h-011FFh	BSL 0	x				x	
01200h-013FFh	BSL 1	x				x	
01400h-015FFh	BSL 2	x				x	
01600h-017FFh	BSL 3	x			x	x	
017FCh-017FFh	BSL Signature Location						
01800h-0187Fh	Info D	x					
01880h-018FFh	Info C	x					
01900h-0197Fh	Info B	x					
01980h-019FFh	Info A	x					
01A00h-01A7Fh	Device Descriptor Table						x
01C00h-05BFFh	RAM 16 KB						
05B80-05BFFh	Alternate Interrupt Vectors						
05C00h-0FFFFh	Program	x	x ⁽¹⁾	x			
0FF80h-0FFFFh	Interrupt Vectors						
10000h-45BFFh	Program	x	x	x			
45C00h-FFFFFFh	Vacant						x ⁽³⁾

⁽¹⁾ Access rights are separately programmable for SYS and PMM.

⁽²⁾ Fixed ID for all MSP430 devices. See [Section 1.13.1](#) for further details.

⁽³⁾ On vacant memory space, the value 03FFFh is driven on the data bus.

1.11.1 Vacant Memory Space

Vacant memory is non-existent memory space. Accesses to vacant memory space generate a system (non)maskable interrupt (SNMI) when enabled (VMAIE = 1). Reads from vacant memory results in the value 3FFFh. In the case of a fetch, this is taken as JMP \$. Fetch accesses from vacant peripheral space result in a PUC. After the boot code is executed, it behaves like vacant memory space and also causes an NMI on access.

1.11.2 JTAG Lock Mechanism via the Electronic Fuse

A device can be protected from unauthorized access by disabling the JTAG and SBW interface. This is achieved by programming the electronic fuse. Programming the electronic fuse, completely disables the debug and access capabilities associated with the JTAG and Spy-Bi-Wire interface. The JTAG is locked by programming a certain signature into the device's flash memory at dedicated addresses. The JTAG security lock key resides at the end of the bootstrap loader (BSL) memory at addresses 17FCh through 17FFh. Anything other than 0h or FFFFFFFFh programmed to these addresses locks the JTAG interface.

All of the 5xx MSP430 devices come with a preprogrammed BSL (TI-BSL) code that, by default, protects itself from unintended erase and write access. This is done by setting SYSBSLPE in the SYSBSLC register. Since the JTAG security lock key resides in the BSL memory address range, appropriate action must be taken to unprotect the BSL memory area before programming the protection key. For more details on the electronic fuse see the *MSP430 Programming Via the JTAG Interface User's Guide (SLAU320)* at www.ti.com/msp430.

Some JTAG commands are still possible after the device is secured, including the BYPASS command (see IEEE1149-2001 Standard) and the JMB_EXCHANGE command which allows access to the JTAG Mailbox System (see [Section 1.12](#) for details).

NOTE: Once a device has been protected, Texas Instruments cannot access the device for a customer return. Access is only possible if a BSL is provided with its corresponding key or an unlock mechanism is provided by the customer.

1.12 JTAG Mailbox (JMB) System

The SYS module provides the capability to exchange user data via the regular JTAG test/debug interface. The idea behind the JMB is to have a direct interface to the CPU during debugging, programming, and test that is identical for all '430 devices of this family and uses only few or no user application resources. The JTAG interface was chosen because it is available on all '430 devices and is a dedicated resource for debugging, programming and test.

Applications of the JMB are:

- Providing entry password for device lock/unlock protection
- Run-time data exchange (RTDX)

1.12.1 JMB Configuration

The JMB supports two transfer modes, 16-bit and 32-bit. Setting JMBMODE enables 32-bit transfer mode. Clearing JMBMODE enables 16-bit transfer mode.

1.12.2 JMBOUT0 and JMBOUT1 Outgoing Mailbox

Two 16-bit registers are available for outgoing messages to the JTAG port. JMBOUT0 is only used when using 16-bit transfer mode (JMBMODE = 0). JMBOUT1 is used in addition to JMBOUT0 when using 32-bit transfer mode (JMBMODE = 1). When the application wishes to send a message to the JTAG port, it writes data to JMBOUT0 for 16-bit mode, or JMBOUT0 and JMBOUT1 for 32-bit mode.

JMBOUT0FG and JMBOUT1FG are read only flags that indicate the status of JMBOUT0 and JMBOUT1, respectively. When JMBOUT0FG is set, JMBOUT0 has been read by the JTAG port and is ready to receive new data. When JMBOUT0FG is reset, the JMBOUT0 is not ready to receive new data. JMBOUT1FG behaves similarly.

1.12.3 JMBIN0 and JMBIN1 Incoming Mailbox

Two 16-bit registers are available for incoming messages from the JTAG port. Only JMBIN0 is used when in 16-bit transfer mode (JMBMODE = 0). JMBIN1 is used in addition to JMBIN0 when using 32-bit transfer mode (JMBMODE = 1). When the JTAG port wishes to send a message to the application, it writes data to JMBIN0 for 16-bit mode, or JMBIN0 and JMBIN1 for 32-bit mode.

JMBIN0FG and JMBIN1FG are flags that indicate the status of JMBIN0 and JMBIN1, respectively. When JMBIN0FG is set, JMBIN0 has data that is available for reading. When JMBIN0FG is reset, no new data is available in JMBIN0. JMBIN1FG behaves similarly.

JMBIN0FG and JMBIN1FG can be configured to clear automatically by clearing JMBCLR0OFF and JMBCLR1OFF, respectively. Otherwise, these flags must be cleared by software.

1.12.4 JMB NMI Usage

The JMB handshake mechanism can be configured to use interrupts to avoid unnecessary polling if desired. In 16-bit mode, JMBOUTIFG is set when JMBOUT0 has been read by the JTAG port and is ready to receive data. In 32-bit mode, JMBOUTIFG is set when both JMBOUT0 and JMBOUT1 has been read by the JTAG port and are ready to receive data. If JMBOUTIE is set, these events cause a system NMI. In 16-bit mode, JMBOUTIFG is cleared automatically when data is written to JMBOUT0. In 32-bit mode, JMBOUTIFG is cleared automatically when data is written to both JMBOUT0 and JMBOUT1. In addition, the JMBOUTIFG can be cleared when reading SYSSNIV. Clearing JMBOUTIE disables the NMI interrupt.

In 16-bit mode, JMBINIFG is set when JMBIN0 is available for reading. In 32-bit mode, JMBINIFG is set when both JMBIN0 and JMBIN1 are available for reading. If JMBOUTIE is set, these events cause a system NMI. In 16-bit mode, JMBINIFG is cleared automatically when JMBIN0 is read. In 32-bit mode, JMBINIFG is cleared automatically when both JMBIN0 and JMBIN1 are read. In addition, the JMBINIFG can be cleared when reading SYSSNIV. Clearing JMBINIE disables the NMI interrupt.

1.13 Device Descriptor Table

Each device provides a data structure in memory that allows an unambiguous identification of the device, as well as, a more detailed description of the available modules on a given device. SYS provides this information and can be used by device-adaptive SW tools and libraries to clearly identify a particular device and all modules and capabilities contained within it. The validity of the device descriptor can be verified by cyclic redundancy check (CRC). [Figure 1-7](#) shows the logical order and structure of the device descriptor table. The complete device descriptor table and its contents can be found in the device specific data sheet.

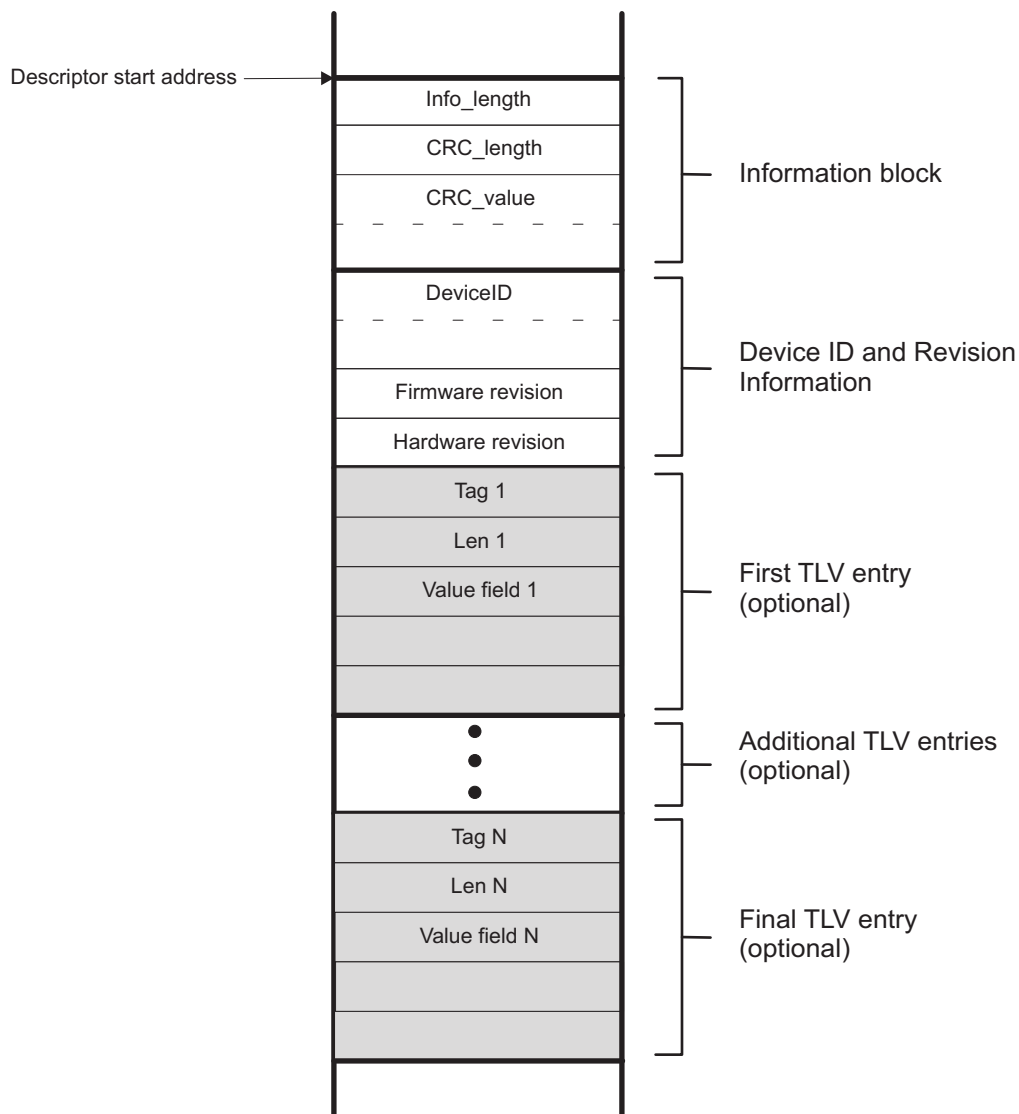


Figure 1-7. Devices Descriptor Table

1.13.1 Identifying Device Type

The value read at address location 00FF0h identifies the family branch of the device. All values starting with 80h indicate a hierarchical structure consisting of the information block and a TLV tag-length-value (TLV) structure containing the various descriptors. Any other value than 80h read at address location 00FF0h indicates the device is of an older family and contains a flat descriptor beginning at location 0FF0h. The information block, shown in [Figure 1-7](#) contains the device ID, die revisions, firmware revisions, and other manufacturer and tool related information. The descriptors contains information about the available peripherals, their subtypes and addresses and provides the information required to build adaptive hardware drivers for operating systems.

The length of the descriptors represented by Info_length is computed as follows:

$$\text{Length} = 2^{\text{Info_length}} \text{ in 32-bit words}$$

(1)

For example, if Info_length = 5, then the length of the descriptors equals 128 bytes.

1.13.2 TLV Descriptors

The TLV descriptors follow the information block. Because the information block is always a fixed length, the start location of the TLV descriptors is fixed for a given device family. For the MSP430x5xx family, this location is 01A08h. See the device-specific data sheet for the complete TLV structure and what descriptors are available.

The TLV descriptors are unique to their respective TLV block and are always followed by the descriptor block length.

Each TLV descriptor contains a tag field which identifies the descriptor type. [Table 1-4](#) shows the currently supported tags.

Table 1-4. Tag Values

Short Name	Value	Description
LDTAG	01h	Legacy descriptor (1xx, 2xx, 4xx families)
PDTAG	02h	Peripheral discovery descriptor
Reserved	03h	Future usage
Reserved	04h	Future usage
BLANK	05h	Blank descriptor
Reserved	06h	Future usage
ADCCAL	11h	ADC calibration
REFCAL	12h	REF calibration
Reserved	13h - FDh	Future usage
TAGEXT	FEh	Tag extender

Each tag field is unique to its respective descriptor and is always followed by a length field. The length field is one byte if the tag value is 01h through 0FDh and represents the length of the descriptor in bytes. If the tag value equals 0FEh (TAGEXT), the next byte extends the tag values, and the following two bytes represent the length of the descriptor in bytes. In this way, a user can search through the TLV descriptor table for a particular tag value, using a routine similar to below written in pseudo code:

```
// Identify the descriptor ID (d_ID_value) for the TLV descriptor of interest:
descriptor_address = TLV_START address;

while ( value at descriptor_address != d_ID_value && descriptor_address != TLV_TAGEND &&
descriptor_address < TLV_END)
{
    // Point to next descriptor
    descriptor_address = descriptor_address + (length of the current TLV block) + 2;
}

if (value at descriptor_address == d_ID_value) {
    // Appropriate TLV descriptor has been found!
    Return length of descriptor & descriptor_address as the location of the TLV descriptor
} else {
    // No TLV descriptor found with a matching d_ID_value
    Return a failing condition
}
```

1.13.3 Peripheral Discovery Descriptor

This descriptor type can describe concatenated or distributed memory or peripheral mappings, as well as, the number of interrupt vectors and their order. The peripheral discovery descriptor has tag value 02h (PDTAG). [Table 1-5](#) shows the structure of the peripheral discovery descriptor.

NOTE: Peripheral Discovery Descriptor is not available in every device. See the Device Descriptors section in the device-specific data sheet for the availability and details on Peripheral Discovery Descriptor.

Table 1-5. Peripheral Discovery Descriptor

Element	Size (bytes)	Comments
memory entry 1	2	Optional
memory entry 2	2	Optional
...	2	Optional
delimiter (00h)	1	Mandatory
peripheral count	1	Mandatory
peripheral entry 1	2	Optional
peripheral entry 2	2	Optional
...	2	Optional
Interrupt priority N-3	1	Optional
Interrupt priority N-4	1	Optional
...	1	Optional
delimiter (00h)	1	Mandatory

The structures for a memory entry and peripheral entry are shown below. A memory entry consists of two bytes (one word). [Table 1-6](#) shows the individual bit fields of a memory entry word and their respective meanings. Similarly, a peripheral entry consists of two bytes (one word). [Table 1-7](#) shows the individual bit fields of a peripheral entry word and their respective meanings.

Table 1-6. Values for Memory Entry

Bit fields				
[15:13]	[12:9]	[8]	[7]	[6:0]
Memory type	Size	More	Unit Size	Address value
000: None	0000: 0 B	0: End Entry	0: 0200h	0000000
001: RAM	0001: 128 B	1: More Entries	1: 010000h	0000001

Table 1-6. Values for Memory Entry (continued)

Bit fields				
[15:13]	[12:9]	[8]	[7]	[6:0]
Memory type	Size	More	Unit Size	Address value
010: EEPROM	0010: 256 B			0000010
011: Reserved	0011: 512 B			0000011
100: FLASH	0100: 1 KB			0000100
101: ROM	0101: 2KB			0000101
110: MemType appended	0110: 4 KB			0000110
111: Undefined	0111: 8 KB			0000111
	1000: 16 KB			0001000
	1001: 32 KB			0001001
	1010: 64 KB			0001010
	1011: 128 KB			0001011
	1100: 256 KB			0001100
	1101: 512 KB			...
	1110: Size appended			...
	1111: Undefined			1111111

Table 1-7. Values for Peripheral Entry

Bit fields		
[15:8]	[7]	[6:0]
Peripheral ID (PID) ⁽¹⁾	UnitSize	AdrVal
Any PID	0: 010h	0000000
Any PID	1: 0800h	0000001
Any PID		0000010
Any PID		0000011
Any PID		0000100
Any PID		0000101
Any PID		...
Any PID		...
Any PID		1111111

⁽¹⁾ The Peripheral IDs are listed in [Table 1-8](#). This is not a complete list, but shown as an example.

Table 1-8. Peripheral IDs⁽¹⁾

Peripheral or Module	PID
No Module	00h
WDT	01h
SFR	02h
UCS	03h
SYS	04h
PMM	05h
Flash Controller	08h
CRC16	09h
Port 1, 2	51h

⁽¹⁾ This table is not a complete list of all peripheral IDs available on a device, but is shown here for illustrative purposes only.

Table 1-8. Peripheral IDs⁽¹⁾ (continued)

Peripheral or Module	PID
Port 3, 4	52h
Port 5, 6	53h
Port 7, 8	54h
Port 9, 10	55h
Port J	5Fh
Timer A0	81h
Timer A1	82h
Special info appended	FEh
Undefined module	FFh

Table 1-9 shows a simple example for a peripheral discovery descriptor of a hypothetical device:

Table 1-9. Sample Peripheral Discovery Descriptor

Hex	Binary	Entry type	Description
030h, 0Eh	001_1000_0_0_0001110	memory	RAM 16 KB; Start address = 01C00h (0Eh * 0200h) ⁽¹⁾
09Bh, 02Eh	100_1011_0_0_0101110	memory	FLASH 128 KB Start address = 05C00h (2Eh * 0200h)
00h	0000_0000_0000_0000	delimiter	No more memory entries
0Fh	0000_1111	peripheral count	Peripheral count = 15
02h, 10h	00000010_0_0010000	peripheral	SFR at address = 0100h (10h * 10h)
01h, 01h	00000001_0_0000001	peripheral	WDT at address = 0110h (0100h + 10h)
05h, 01h	00000101_0_0000001	peripheral	PMM at address = 0120h (0110h + 10h)
03h, 01h	00000011_0_0000001	peripheral	UCS at address = 0130h (0120h + 10h)
08h, 01h	00001000_0_0000001	peripheral	FLCTL at address = 0140h (0130h + 10h)
09h, 01h	00001001_0_0000001	peripheral	CRC16 at address = 0150h (0140h + 10h)
04h, 01h	00000100_0_0000001	peripheral	SYS at address = 0160h (0150h + 10h)
51h, 0Ah	01010001_0_0001010	peripheral	Port 1, 2 at address = 0200h (0160h + 10h * 10h)
52h, 02h	01010010_0_0000010	peripheral	Port 3, 4 at address = 0220h (0200h + 02h * 10h)
53h, 02h	01010011_0_0000010	peripheral	Port 5, 6 at address = 0240h (0220h + 02h * 10h)
54h, 02h	01010100_0_0000010	peripheral	Port 7, 8 at address = 0260h (0240h + 02h * 10h)
55h, 02h	01010101_0_0000010	peripheral	Port 9, 10 at address = 0280h (0260h + 02h * 10h)
5Fh, 0Ah	01011111_0_0001010	peripheral	Port J at address = 0320h (0280h + 0Ah * 10h)
81h, 02h	10000001_0_0000010	peripheral	Timer A0 at address = 0340h (0320h + 02h * 10h)
82h, 04h	10000010_0_0000100	peripheral	Timer A1 at address = 0380h (0340h + 04h * 10h)
-			No appended entries
			SYSRSTIV @0FFFEh (implied)
			SYSSNIV @0FFFC (implied)
			SYSUNIV @ 0FFFA (implied)
81h	1000_0001	interrupt	TA0 CCR0 @ 0FFF8
81h	1000_0001	interrupt	TA0 CCR1, CCR1, TA0IFG @ 0FFF6
51h	0101_0001	interrupt	Port 1 @ 0FFF4
82h	1000_0010	interrupt	TA1CCR0 @ 0FFF2
51h	0101_0001	interrupt	Port 2 @ 0FFF0
81h	1000_0010	interrupt	TA1 CCR1, CCR1, TA1IFG @ 0FFEE
00h	0000_0000	delimiter	No more interrupt entries

⁽¹⁾ In this example, the memory type is RAM (bits[15:13] = 001), the size is 16KB (bits[12:9] = 1000), and the starting address is 01C00h. The starting address is computed by taking the size field indicated by bit[7] (in this case 0200h) and multiplying it by the address value (bits[6:0] = 0001110. In this case, we have 0200h * 00Eh = 01C00h.

NOTE: The interrupt ordering has some implied rules:

- For timers, CCR0 interrupt has higher priority over all other CCRn interrupts.
- For communication ports, RX has higher priority over TX
- For port pairs, Port 1 has higher priority over Port 2, Port 3 has higher priority over Port 4, etc.

1.13.4 CRC Computation

The CRC checksum for the TLV structure is stored at memory locations 0x1A02 and 0x1A03. The least significant byte (LSB) and most significant byte (MSB) reside at memory locations 0x1A02 and 0x1A03, respectively. The checksum is computed using data stored at memory locations 0x1A04 through 0x1AFF. The CRC checksum can be easily computed using the CRC16 module. The following simplified C code utilizes the CRC16 module to compute the checksum. Please see the CRC16 chapter for further details on the CRC algorithm implementation.

NOTE: The CRC module on the CC430F613x, CC430F612x, and CC430F513x devices does not support the bit-wise reverse feature used in this code example. Registers CRCDIRB and CRCRESR, along with their respective functionality, are not available.

```

        unsigned int i;
        unsigned char CRCRESULT_LSB, CRCRESULT_MSB;

        WDTCTL = WDTPW + WDTHOLD;
        CRCNIREES = 0xFFFF;

        for (i = 0x01A04; i <= 0x01AFF; i++){
            CRCDIRB_L = *(unsigned char*)(i);
        }

        CRCRESULT_LSB = CRCNIREES_L; // value stored @ 0x1A02
        CRCRESULT_MSB = CRCNIREES_H; // value stored @ 0x1A03

```

1.13.5 Calibration Values

The TLV structure contains calibration values that can be used to improve the measurement capability of various functions. The calibration values available on a given device are shown in the TLV structure of the device-specific data sheet.

1.13.5.1 REF Calibration

The calibration data for the REF module consists of three words, one word for each reference voltage available (1.5, 2.0, and 2.5 V). The reference voltages are measured at room temperature. The measured values are normalized by 1.5/2.0/2.5 V before being stored into the TLV structure:

$$CAL_ADC_15VREF_FACTOR = \frac{V_{REF+}}{1.5V} \times 2^{15}$$

$$CAL_ADC_20VREF_FACTOR = \frac{V_{REF+}}{2.0V} \times 2^{15}$$

$$CAL_ADC_25VREF_FACTOR = \frac{V_{REF+}}{2.5V} \times 2^{15} \quad (2)$$

In this way, a conversion result is corrected by multiplying it with the CAL_15VREF_FACTOR (or CAL_20VREF_FACTOR, CAL_25VREF_FACTOR) and dividing the result by 2^{15} as shown for each of the respective reference voltages:

$$ADC(\text{corrected}) = ADC(\text{raw}) \times CAL_ADC15VREF_FACTOR \times \frac{1}{2^{15}}$$

$$ADC(\text{corrected}) = ADC(\text{raw}) \times CAL_ADC20VREF_FACTOR \times \frac{1}{2^{15}}$$

$$ADC(\text{corrected}) = ADC(\text{raw}) \times CAL_ADC25VREF_FACTOR \times \frac{1}{2^{15}} \quad (3)$$

In the following example, the integrated 1.5-V reference voltage is used during a conversion.

- Conversion result: 0x0100 = 256 decimal
- Reference voltage calibration factor (CAL_15VREF_FACTOR) : 0x7BBB

The following steps show how the ADC conversion result can be corrected:

- Multiply the conversion result by 2 (this step simplifies the final division): 0x0100 x 0x0002 = 0x0200
- Multiply the result by CAL_15VREF_FACTOR: 0x200 x 0x7FEE = 0x00F7_7600
- Divide the result by 2^{16} : 0x00F7_7600 / 0x0001_0000 = 0x0000_00F7 = 247 decimal

1.13.5.2 ADC Offset and Gain Calibration

The offset of the ADC is determined and stored as a two's-complement number in the TLV structure. The offset error correction is done by adding the CAL_ADC_OFFSET to the conversion result.

$$ADC(\text{offset_corrected}) = ADC(\text{raw}) + CAL_ADC_OFFSET \quad (4)$$

The gain of the ADC12 is calculated by [Equation 5](#):

$$CAL_ADC_GAIN_FACTOR = \frac{1}{GAIN} \times 2^{15} \quad (5)$$

The conversion result is gain corrected by multiplying it with the CAL_ADC_GAIN_FACTOR and dividing the result by 2^{15} :

$$ADC(\text{gain_corrected}) = ADC(\text{raw}) \times CAL_ADC_GAIN_FACTOR \times \frac{1}{2^{15}} \quad (6)$$

If both gain and offset are corrected, the gain correction is done first:

$$ADC(\text{gain_corrected}) = ADC(\text{raw}) \times CAL_ADC_GAIN_FACTOR \times \frac{1}{2^{15}}$$

$$ADC(\text{final}) = ADC(\text{gain_corrected}) + CAL_ADC_OFFSET \quad (7)$$

1.13.5.3 Temperature Sensor Calibration

The temperature sensor is calibrated using the internal voltage references. Each reference voltage (1.5/2.0/2.5 V) contains a measured value for two temperatures, 30°C±3°C and 85°C ±3°C and are stored in the TLV structure. The characteristic equation of the temperature sensor voltage, in mV is:

$$V_{SENSE} = TC_{SENSOR} \times Temp + V_{SENSOR} \quad (8)$$

The temperature coefficient, TC_{SENSOR} in mV/°C, represents the slope of the equation. V_{SENSOR} , in mV, represents the y-intercept of the equation. Temp, in °C, is the temperature of interest.

The temperature (Temp, °C) can be computed as follows for each of the reference voltages used in the ADC measurement:

$$Temp = (ADC(\text{raw}) - CAL_ADC_15T30) \times \left(\frac{85 - 30}{CAL_ADC_15T85 - CAL_ADC_15T30} \right) + 30$$

$$Temp = (ADC(\text{raw}) - CAL_ADC_20T30) \times \left(\frac{85 - 30}{CAL_ADC_20T85 - CAL_ADC_20T30} \right) + 30$$

$$Temp = (ADC(\text{raw}) - CAL_ADC_25T30) \times \left(\frac{85 - 30}{CAL_ADC_25T85 - CAL_ADC_25T30} \right) + 30 \quad (9)$$

1.14 SFR Registers

The SFRs are listed in [Table 1-11](#). The base address for the SFRs is listed in [Table 1-10](#). Many of the bits inside the SFRs are described in other chapters throughout this user's guide. These bits are marked with a note and a reference. See the specific chapter of the respective module for details.

NOTE: All registers have word or byte register access. For a generic register *ANYREG*, the suffix "_L" (*ANYREG_L*) refers to the lower byte of the register (bits 0 through 7). The suffix "_H" (*ANYREG_H*) refers to the upper byte of the register (bits 8 through 15).

Table 1-10. SFR Base Address

Module	Base Address
SFR	00100h

Table 1-11. SFR Registers

Offset	Acronym	Register Name	Type	Access	Reset	Section
00h	SFRIE1	Interrupt Enable	Read/write	Word	0000h	Section 5.4.4
00h	SFRIE1_L (IE1)		Read/write	Byte	00h	
01h	SFRIE1_H (IE2)		Read/write	Byte	00h	
02h	SFRIFG1	Interrupt Flag	Read/write	Word	0082h	Section 1.14.2
02h	SFRIFG1_L (IFG1)		Read/write	Byte	82h	
03h	SFRIFG1_H (IFG2)		Read/write	Byte	00h	
04h	SFRRPCR	Reset Pin Control	Read/write	Word	0000h	Section 1.14.3
04h	SFRRPCR_L		Read/write	Byte	00h	
05h	SFRRPCR_H		Read/write	Byte	00h	

1.14.1 SFRIE1 Register

Interrupt Enable Register

Figure 1-8. SFRIE1 Register

15	14	13	12	11	10	9	8
Reserved							
r0	r0	r0	r0	r0	r0	r0	r0
7	6	5	4	3	2	1	0
JMBOUTIE	JMBINIE	ACCVIE ⁽¹⁾	NMIIE	VMAIE	Reserved	OFIE ⁽²⁾	WDTIE ⁽³⁾
rw-0	rw-0	rw-0	rw-0	rw-0	r0	rw-0	rw-0

⁽¹⁾ See the [Flash Controller chapter](#) for details.

⁽²⁾ See the [UCS chapter](#) for details.

⁽³⁾ See the [WDT_A chapter](#) for details.

Table 1-12. SFRIE1 Register Description

Bit	Field	Type	Reset	Description
15-8	Reserved	R	0h	Reserved. Always reads as 0.
7	JMBOUTIE	RW	0h	JTAG mailbox output interrupt enable flag 0b = Interrupts disabled 1b = Interrupts enabled
6	JMBINIE	RW	0h	JTAG mailbox input interrupt enable flag 0b = Interrupts disabled 1b = Interrupts enabled
5	ACCVIE	RW	0h	Flash controller access violation interrupt enable flag 0b = Interrupts disabled 1b = Interrupts enabled
4	NMIIE	RW	0h	NMI pin interrupt enable flag 0b = Interrupts disabled 1b = Interrupts enabled
3	VMAIE	RW	0h	Vacant memory access interrupt enable flag 0b = Interrupts disabled 1b = Interrupts enabled
2	Reserved	R	0h	Reserved. Always reads as 0.
1	OFIE	RW	0h	Oscillator fault interrupt enable flag 0b = Interrupts disabled 1b = Interrupts enabled
0	WDTIE	RW	0h	Watchdog timer interrupt enable. This bit enables the WDTIFG interrupt for interval timer mode. It is not necessary to set this bit for watchdog mode. Because other bits in ~IE1 may be used for other modules, it is recommended to set or clear this bit using BIS.B or BIC.B instructions, rather than MOV.B or CLR.B instruction 0b = Interrupts disabled 1b = Interrupts enabled

1.1.4.2 SFRIFG1 Register

Interrupt Flag Register

Figure 1-9. SFRIFG1 Register

15	14	13	12	11	10	9	8
Reserved							
r0	r0	r0	r0	r0	r0	r0	r0
7	6	5	4	3	2	1	0
JMBOUTIFG	JMBINIFG	Reserved	NMIIFG	VMAIFG	Reserved	OFIFG ⁽¹⁾	WDTIFG ⁽²⁾
rw-(1)	rw-(0)	r0	rw-0	rw-0	r0	rw-(1)	rw-0

⁽¹⁾ See the [UCS](#) chapter for details.

⁽²⁾ See the [WDT_A](#) chapter for details.

Table 1-13. SFRIFG1 Register Description

Bit	Field	Type	Reset	Description
15-8	Reserved	R	0h	Reserved. Always reads as 0.
7	JMBOUTIFG	RW	1h	JTAG mailbox output interrupt flag 0b = No interrupt pending. When in 16-bit mode (JMBMODE = 0), this bit is cleared automatically when JMBO0 has been written with a new message to the JTAG module by the CPU. When in 32-bit mode (JMBMODE = 1), this bit is cleared automatically when both JMBO0 and JMBO1 have been written with new messages to the JTAG module by the CPU. This bit is also cleared when the associated vector in SYSUNIV has been read. 1b = Interrupt pending, JMBO registers are ready for new messages. In 16-bit mode (JMBMODE = 0), JMBO0 has been received by the JTAG module and is ready for a new message from the CPU. In 32-bit mode (JMBMODE = 1), JMBO0 and JMBO1 have been received by the JTAG module and are ready for new messages from the CPU.
6	JMBINIFG	RW	0h	JTAG mailbox input interrupt flag 0b = No interrupt pending. When in 16-bit mode (JMBMODE = 0), this bit is cleared automatically when JMBIO is read by the CPU. When in 32-bit mode (JMBMODE = 1), this bit is cleared automatically when both JMBIO and JMBI1 have been read by the CPU. This bit is also cleared when the associated vector in SYSUNIV has been read 1b = Interrupt pending, a message is waiting in the JMBIN registers. In 16-bit mode (JMBMODE = 0) when JMBIO has been written by the JTAG module. In 32-bit mode (JMBMODE = 1) when JMBIO and JMBI1 have been written by the JTAG module.
5	Reserved	R	0h	Reserved. Always reads as 0.
4	NMIIFG	RW	0h	NMI pin interrupt flag 0b = No interrupt pending 1b = Interrupt pending
3	VMAIFG	RW	0h	Vacant memory access interrupt flag 0b = No interrupt pending 1b = Interrupt pending
2	Reserved	R	0h	Reserved. Always reads as 0.
1	OFIFG	RW	1h	Oscillator fault interrupt flag 0b = No interrupt pending 1b = Interrupt pending

Table 1-13. SFRIFG1 Register Description (continued)

Bit	Field	Type	Reset	Description
0	WDTIFG	RW	0h	<p>Watchdog timer interrupt flag. In watchdog mode, WDTIFG will self clear upon a watchdog timeout event. The SYSRSTIV can be read to determine if the reset was caused by a watchdog timeout event. In interval mode, WDTIFG is reset automatically by servicing the interrupt, or can be reset by software. Because other bits in ~IFG1 may be used for other modules, it is recommended to set or clear WDTIFG by using BIS.B or BIC.B instructions, rather than MOV.B or CLR.B instructions.</p> <p>0b = No interrupt pending 1b = Interrupt pending</p>

1.14.3 SFRRPCR Register

Reset Pin Control Register

Figure 1-10. SFRRPCR Register

15	14	13	12	11	10	9	8
Reserved							
r0	r0	r0	r0	r0	r0	r0	r0
7	6	5	4	3	2	1	0
Reserved				SYSRSTRE ⁽¹⁾	SYSRSTUP ⁽¹⁾	SYSNMIIES	SYSNMI
r0	r0	r0	r0	rw-1	rw-1	rw-0	rw-0

⁽¹⁾ All devices except the MSP430F5438 (non-A) default to pullup enabled on the reset pin.

Table 1-14. SFRRPCR Register Description

Bit	Field	Type	Reset	Description
15-4	Reserved	R	0h	Reserved. Always reads as 0.
3	SYSRSTRE	RW	1h	Reset pin resistor enable 0b = Pullup/pulldown resistor at the $\overline{\text{RST}}/\text{NMI}$ pin is disabled 1b = Pullup/pulldown resistor at the $\overline{\text{RST}}/\text{NMI}$ pin is enabled
2	SYSRSTUP	RW	1h	Reset resistor pin pullup/pulldown 0b = Pulldown is selected 1b = Pullup is selected
1	SYSNMIIES	RW	0h	NMI edge select. This bit selects the interrupt edge for the NMI when SYSNMI = 1. Modifying this bit can trigger an NMI. Modify this bit when SYSNMI = 0 to avoid triggering an accidental NMI. 0b = NMI on rising edge 1b = NMI on falling edge
0	SYSNMI	RW	0h	NMI select. This bit selects the function for the RST/NMI pin. 0b = Reset function 1b = NMI function

1.15 SYS Registers

The SYS configuration registers are listed in [Table 1-16](#) and the base address is listed in [Table 1-15](#). A detailed description of each register and its bits is also provided. Each register starts at a word boundary. Either word or byte data can be written to the SYS configuration registers.

NOTE: All registers have word or byte register access. For a generic register *ANYREG*, the suffix "_L" (*ANYREG_L*) refers to the lower byte of the register (bits 0 through 7). The suffix "_H" (*ANYREG_H*) refers to the upper byte of the register (bits 8 through 15).

Table 1-15. SYS Base Address

Module	Base Address
SYS	00180h

Table 1-16. SYS Registers

Offset	Acronym	Register Name	Type	Access	Reset	Section
00h	SYSCTL	System Control	Read/write	Word	0000h	Section 1.15.1
00h	SYSCTL_L		Read/write	Byte	00h	
01h	SYSCTL_H		Read/write	Byte	00h	
02h	SYSBSLC	Bootstrap Loader Configuration	Read/write	Word	0003h	Section 1.15.2
02h	SYSBSLC_L		Read/write	Byte	03h	
03h	SYSBSLC_H		Read/write	Byte	00h	
06h	SYSJMBC	JTAG Mailbox Control	Read/write	Word	0000h	Section 1.15.3
06h	SYSJMBC_L		Read/write	Byte	00h	
07h	SYSJMBC_H		Read/write	Byte	00h	
08h	SYSJMBIO	JTAG Mailbox Input 0	Read/write	Word	0000h	Section 1.15.4
08h	SYSJMBIO_L		Read/write	Byte	00h	
09h	SYSJMBIO_H		Read/write	Byte	00h	
0Ah	SYSJMBI1	JTAG Mailbox Input 1	Read/write	Word	0000h	Section 1.15.5
0Ah	SYSJMBI1_L		Read/write	Byte	00h	
0Bh	SYSJMBI1_H		Read/write	Byte	00h	
0Ch	SYSJMBO0	JTAG Mailbox Output 0	Read/write	Word	0000h	Section 1.15.6
0Ch	SYSJMBO0_L		Read/write	Byte	00h	
0Dh	SYSJMBO0_H		Read/write	Byte	00h	
0Eh	SYSJMBO1	JTAG Mailbox Output 1	Read/write	Word	0000h	Section 1.15.7
0Eh	SYSJMBO1_L		Read/write	Byte	00h	
0Fh	SYSJMBO1_H		Read/write	Byte	00h	
18h	SYSBERRIV	Bus Error Vector Generator	Read	Word	0000h	Section 1.15.11
1Ah	SYSUNIV	User NMI Vector Generator	Read	Word	0000h	Section 1.15.8
1Ch	SYSSNIV	System NMI Vector Generator	Read	Word	0000h	Section 1.15.9
1Eh	SYSRSTIV	Reset Vector Generator	Read	Word	0002h	Section 1.15.10

1.15.1 SYSCTL Register

SYS Control Register

Figure 1-11. SYSCTL Register

15	14	13	12	11	10	9	8
Reserved							
r0	r0	r0	r0	r0	r0	r0	r0
7	6	5	4	3	2	1	0
Reserved		SYSJTAGPIN	SYSBSLIND	Reserved	SYSPMMPE	Reserved	SYSRIVECT
r0	r0	rw-[0]	r-0	r0	rw-[0]	r0	rw-[0]

Table 1-17. SYSCTL Register Description

Bit	Field	Type	Reset	Description
15-6	Reserved	R	0h	Reserved. Always reads as 0.
5	SYSJTAGPIN	RW	0h	Dedicated JTAG pins enable. Setting this bit disables the shared functionality of the JTAG pins and permanently enables the JTAG function. This bit can only be set once. Once it is set it remains set until a BOR occurs. 0b = Shared JTAG pins (JTAG mode selectable via SBW sequence) 1b = Dedicated JTAG pins (explicit 4-wire JTAG mode selection)
4	SYSBSLIND	RW	0h	BSL entry indication. This bit indicates a BSL entry sequence detected on the Spy-Bi-Wire pins. 0b = No BSL entry sequence detected 1b = BSL entry sequence detected
3	Reserved	R	0h	Reserved. Always reads as 0.
2	SYSPMMPE	RW	0h	PMM access protect. This controls the accessibility of the PMM control registers. Once set to 1, it only can be cleared by a BOR. 0b = Access from anywhere in memory 1b = Access only from the protected BSL segments
1	Reserved	R	0h	Reserved. Always reads as 0.
0	SYSRIVECT	RW	0h	RAM-based interrupt vectors 0b = Interrupt vectors generated with end address TOP of lower 64k flash FFFFh 1b = Interrupt vectors generated with end address TOP of RAM

1.15.2 SYSBSLC Register

Bootstrap Loader Configuration Register

Figure 1-12. SYSBSLC Register

15	14	13	12	11	10	9	8
SYSBSLPE	SYSBSLOFF	Reserved					
rw-[0]	rw-[0]	r0	r0	r0	r0	r0	r0
7	6	5	4	3	2	1	0
Reserved					SYSBSLR	SYSBSLSIZE	
r0	r0	r0	r0	r0	rw-[0]	rw-[1]	rw-[1]

Table 1-18. SYSBSLC Register Description

Bit	Field	Type	Reset	Description
15	SYSBSLPE	RW	0h	Bootstrap loader memory protection enable for the size covered in SYSBSLSIZE. By default, this bit is cleared by hardware with a BOR event (as indicated above), however the boot code that checks for an available BSL may set this bit via software in order to protect the BSL. Since devices normally come with a TI BSL preprogrammed and protected, the boot code sets this bit. 0b = Area not protected. Read, program, and erase of BSL memory is possible. 1b = Area protected
14	SYSBSLOFF	RW	0h	Bootstrap loader memory disable for the size covered in SYSBSLSIZE 0b = BSL memory is addressed when this area is read. 1b = BSL memory behaves like vacant memory. Reads cause 3FFFh to be read. Fetches cause JMP \$ to be executed.
13-3	Reserved	R	0h	Reserved. Always reads as 0.
2	SYSBSLR	RW	0h	RAM assigned to BSL 0b = No RAM assigned to BSL area 1b = Lowest 16 bytes of RAM assigned to BSL
1-0	SYSBSLSIZE	RW	03h	Bootstrap loader size. Defines the space and size of flash memory that is reserved for the BSL. 00b = Size: BSL segment 3 01b = Size: BSL segments 2 and 3 10b = Size: BSL segments 1, 2, and 3 11b = Size: BSL segments 1, 2, 3, and 4

1.15.3 SYSJMBC Register

JTAG Mailbox Control Register

Figure 1-13. SYSJMBC Register

15	14	13	12	11	10	9	8
Reserved							
r0	r0	r0	r0	r0	r0	r0	r0
7	6	5	4	3	2	1	0
JMBCLR1OFF	JMBCLR0OFF	Reserved	JMBMODE	JMBOUT1FG	JMBOUT0FG	JMBIN1FG	JMBIN0FG
rw-(0)	rw-(0)	r0	rw-0	r-(1)	r-(1)	rw-(0)	rw-(0)

Table 1-19. SYSJMBC Register Description

Bit	Field	Type	Reset	Description
15-8	Reserved	R	0h	Reserved. Always reads as 0.
7	JMBCLR1OFF	RW	0h	Incoming JTAG Mailbox 1 flag auto-clear disable 0b = JMBIN1FG cleared on read of JMB1IN register 1b = JMBIN1FG cleared by software
6	JMBCLR0OFF	RW	0h	Incoming JTAG Mailbox 0 flag auto-clear disable 0b = JMBIN0FG cleared on read of JMB0IN register 1b = JMBIN0FG cleared by software
5	Reserved	R	0h	Reserved. Always reads as 0.
4	JMBMODE	RW	0h	This bit defines the operation mode of JMB for JMBI0/1 and JMBO0/1. Before switching this bit, pad and flush out any partial content to avoid data drops. 0b = 16-bit transfers using JMBO0 and JMBI0 only 1b = 32-bit transfers using JMBO0/1 and JMBI0/1
3	JMBOUT1FG	RW	1h	Outgoing JTAG Mailbox 1 flag. This bit is cleared automatically when a message is written to the upper byte of JMBO1 or as word access (by the CPU, DMA,...) and is set after the message was read via JTAG. 0b = JMBO1 is not ready to receive new data. 1b = JMBO1 is ready to receive new data.
2	JMBOUT0FG	RW	1h	Outgoing JTAG Mailbox 0 flag. This bit is cleared automatically when a message is written to the upper byte of JMBO0 or as word access (by the CPU, DMA,...) and is set after the message was read via JTAG. 0b = JMBO0 is not ready to receive new data. 1b = JMBO0 is ready to receive new data.
1	JMBIN1FG	RW	0h	Incoming JTAG Mailbox 1 flag. This bit is set when a new message (provided via JTAG) is available in JMBI1. This flag is cleared automatically on read of JMBI1 when JMBCLR1OFF = 0 (auto clear mode). On JMBCLR1OFF = 1, JMBIN1FG needs to be cleared by SW. 0b = JMBI1 has no new data. 1b = JMBI1 has new data available.
0	JMBIN0FG	RW	0h	Incoming JTAG Mailbox 0 flag. This bit is set when a new message (provided via JTAG) is available in JMBI0. This flag is cleared automatically on read of JMBI0 when JMBCLR0OFF = 0 (auto clear mode). On JMBCLR0OFF = 1, JMBIN0FG needs to be cleared by SW. 0b = JMBI1 has no new data. 1b = JMBI1 has new data available.

1.15.4 SYSJMBI0 Register

JTAG Mailbox Input 0 Register

Figure 1-14. SYSJMBI0 Register

15	14	13	12	11	10	9	8
MSGHI							
r-0	r-0	r-0	r-0	r-0	r-0	r-0	r-0
7	6	5	4	3	2	1	0
MSGLO							
r-0	r-0	r-0	r-0	r-0	r-0	r-0	r-0

Table 1-20. SYSJMBI0 Register Description

Bit	Field	Type	Reset	Description
15-8	MSGHI	R	0h	JTAG mailbox incoming message high byte
7-0	MSGLO	R	0h	JTAG mailbox incoming message low byte

1.15.5 SYSJMBI1 Register

JTAG Mailbox Input 0 Register

Figure 1-15. SYSJMBI1 Register

15	14	13	12	11	10	9	8
MSGHI							
r-0	r-0	r-0	r-0	r-0	r-0	r-0	r-0
7	6	5	4	3	2	1	0
MSGLO							
r-0	r-0	r-0	r-0	r-0	r-0	r-0	r-0

Table 1-21. SYSJMBI1 Register Description

Bit	Field	Type	Reset	Description
15-8	MSGHI	R	0h	JTAG mailbox incoming message high byte
7-0	MSGLO	R	0h	JTAG mailbox incoming message low byte

1.15.6 SYSJMBO0 Register

JTAG Mailbox Output 0 Register

Figure 1-16. SYSJMBO0 Register

15	14	13	12	11	10	9	8
MSGHI							
rw-0	rw-0	rw-0	rw-0	rw-0	rw-0	rw-0	rw-0
7	6	5	4	3	2	1	0
MSGLO							
rw-0	rw-0	rw-0	rw-0	rw-0	rw-0	rw-0	rw-0

Table 1-22. SYSJMBO0 Register Description

Bit	Field	Type	Reset	Description
15-8	MSGHI	RW	0h	JTAG mailbox outgoing message high byte
7-0	MSGLO	RW	0h	JTAG mailbox outgoing message low byte

1.15.7 SYSJMBO1 Register

JTAG Mailbox Output 1 Register

Figure 1-17. SYSJMBO1 Register

15	14	13	12	11	10	9	8
MSGHI							
rw-0	rw-0	rw-0	rw-0	rw-0	rw-0	rw-0	rw-0
7	6	5	4	3	2	1	0
MSGLO							
rw-0	rw-0	rw-0	rw-0	rw-0	rw-0	rw-0	rw-0

Table 1-23. SYSJMBO1 Register Description

Bit	Field	Type	Reset	Description
15-8	MSGHI	RW	0h	JTAG mailbox outgoing message high byte
7-0	MSGLO	RW	0h	JTAG mailbox outgoing message low byte

1.15.8 SYSUNIV Register

User NMI Vector Register

NOTE: Additional events for more complex devices are appended to this table; sources that are removed reduce the length of this table. The vectors are expected to be accessed symbolic only with the corresponding include file of the device in use.

Figure 1-18. SYSUNIV Register

15	14	13	12	11	10	9	8
SYSUNVEC							
r0	r0	r0	r0	r0	r0	r0	r0
7	6	5	4	3	2	1	0
SYSUNVEC							
r0	r0	r0	r-0	r-0	r-0	r-0	r0

Table 1-24. SYSUNIV Register Description

Bit	Field	Type	Reset	Description
15-0	SYSUNIV	R	0h	User NMI vector. Generates a value that can be used as address offset for fast interrupt service routine handling. Writing to this register clears all pending user NMI flags. 00h = No interrupt pending 02h = NMIFG interrupt pending (highest priority) 04h = OFIFG interrupt pending 06h = ACCVIFG interrupt pending 08h = BUSIFG interrupt pending (Not present on all devices. See device-specific datasheet)

1.15.9 SYSSNIV Register

System NMI Vector Register

NOTE: Additional events for more complex devices are appended to this table; sources that are removed reduce the length of this table. The vectors are expected to be accessed symbolic only with the corresponding include file of the used device.

Figure 1-19. SYSSNIV Register

15	14	13	12	11	10	9	8
SYSSNVEC							
r0	r0	r0	r0	r0	r0	r0	r0
7	6	5	4	3	2	1	0
SYSSNVEC							
r0	r0	r0	r-0	r-0	r-0	r-0	r0

Table 1-25. SYSSNIV Register Description

Bit	Field	Type	Reset	Description
15-0	SYSSNIV	R	0h	System NMI vector. Generates a value that can be used as address offset for fast interrupt service routine handling. Writing to this register clears all pending system NMI flags. 00h = No interrupt pending 02h = SVMLIFG interrupt pending (highest priority) 04h = SVMHIFG interrupt pending 06h = SVSMLDLYIFG interrupt pending 08h = SVSMHDLYIFG interrupt pending 0Ah = VMAIFG interrupt pending 0Ch = JMBINIFG interrupt pending 0Eh = JMBOUTIFG interrupt pending 10h = SVMLVLRIFG interrupt pending 12h = SVMHVLRFIFG interrupt pending 14h = Reserved

1.15.10 SYSRSTIV Register

Reset Interrupt Vector Register

NOTE: Additional events for more complex devices are appended to this table; sources that are removed reduce the length of this table. The vectors are expected to be accessed symbolic only with the corresponding include file of the used device.

Figure 1-20. SYSRSTIV Register

15	14	13	12	11	10	9	8
SYSRSTVEC							
r0	r0	r0	r0	r0	r0	r0	r0
7	6	5	4	3	2	1	0
SYSRSTVEC							
r0	r0	r-0	r-0	r-0	r-0	r-1	r0

Table 1-26. SYSRSTIV Register Description

Bit	Field	Type	Reset	Description
15-0	SYSRSTIV	R	0h	Reset interrupt vector. Generates a value that can be used as address offset for fast interrupt service routine handling to identify the last cause of a reset (BOR, POR, PUC) . Writing to this register clears all pending reset source flags. 00h = No interrupt pending 02h = Brownout (BOR) (highest priority) 04h = \overline{RST} /NMI (BOR) 06h = PMMSWBOR (BOR) 08h = Wakeup from LPMx.5 (BOR) 0Ah = Security violation (BOR) 0Ch = SVSL (POR) 0Eh = SVSH (POR) 10h = SVMML_OVP (POR) 12h = SVMH_OVP (POR) 14h = PMMSWPOR (POR) 16h = WDT time out (PUC) 18h = WDT password violation (PUC) 1Ah = Flash password violation (PUC) 1Ch = Reserved 1Eh = PERF peripheral/configuration area fetch (PUC) 20h = PMM password violation (PUC) 22h to 3Eh = Reserved

1.15.11 SYSBERRIV Register

System Bus Error Interrupt Vector Register

NOTE: Additional events for more complex devices are appended to this table; sources that are removed reduce the length of this table. The vectors are expected to be accessed symbolic only with the corresponding include file of the used device.

Figure 1-21. SYSBERRIV Register

15	14	13	12	11	10	9	8
SYSBERRIV							
r0	r0	r0	r0	r0	r0	r0	r0
7	6	5	4	3	2	1	0
SYSBERRIV							
r0	r0	r0	r-0	r-0	r-0	r-0	r0

Table 1-27. SYSBERRIV Register Description

Bit	Field	Type	Reset	Description
15-0	SYSBERRIV	R	0h	System bus error interrupt vector. Generates a value that can be used as an address offset for fast interrupt service routine handling. Writing to this register clears all pending flags. 00h = No interrupt pending 02h = USB module timed out. Wait state time out of 8 clock cycles. 16 clock cycles only on the F552x and F551x devices. 04h = Reserved for future extensions 06h = Reserved for future extensions 08h = Reserved for future extensions



Power Management Module and Supply Voltage Supervisor

This chapter describes the operation of the Power Management Module (PMM) and Supply Voltage Supervisor (SVS).

Topic	Page
2.1 Power Management Module (PMM) Introduction	81
2.2 PMM Operation	83
2.3 PMM Registers	96

2.1 Power Management Module (PMM) Introduction

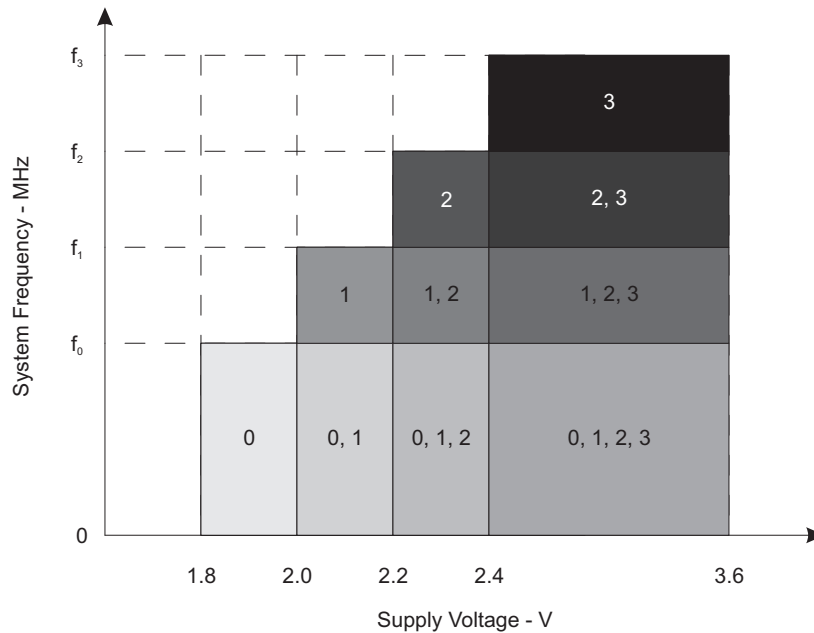
PMM features include:

- Wide supply voltage (DV_{CC}) range: 1.8 V to 3.6 V
- Generation of voltage for the device core (V_{CORE}) with up to four programmable levels
- Supply voltage supervisor (SVS) for DV_{CC} and V_{CORE} with programmable threshold levels
- Supply voltage monitor (SVM) for DV_{CC} and V_{CORE} with programmable threshold levels
- Brownout reset (BOR)
- Software accessible power-fail indicators
- I/O protection during power-fail condition
- Software selectable supervisor or monitor state output (optional)

The PMM manages all functions related to the power supply and its supervision for the device. Its primary functions are first to generate a supply voltage for the core logic, and second, provide several mechanisms for the supervision and monitoring of both the voltage applied to the device (DV_{CC}) and the voltage generated for the core (V_{CORE}).

The PMM uses an integrated low-dropout voltage regulator (LDO) to produce a secondary core voltage (V_{CORE}) from the primary one applied to the device (DV_{CC}). In general, V_{CORE} supplies the CPU, memories (flash and RAM), and the digital modules, while DV_{CC} supplies the I/Os and all analog modules (including the oscillators). The V_{CORE} output is maintained using a dedicated voltage reference. V_{CORE} is programmable up to four steps, to provide only as much power as is needed for the speed that has been selected for the CPU. This enhances power efficiency of the system. The input or primary side of the regulator is referred to in this chapter as its high side. The output or secondary side is referred to in this chapter as its low side.

The required minimum voltage for the core depends on the selected MCLK rate. Figure 2-1 shows the relationship between the system frequency for a given core voltage setting, as well as the minimum required voltage applied to the device. Figure 2-1 is only an example—see the device-specific data sheet to determine which core voltage levels are supported and what level of system frequency performance is possible for a given device.



The numbers within the fields denote the supported PMMCOREVx settings.

Figure 2-1. System Frequency, Supply Voltage, and Core Voltage – See Device-Specific Data Sheet

The PMM module provides means for DV_{CC} and V_{CORE} to be supervised and monitored. Both of these functions detect when a voltage falls under a specific threshold. In general, the difference is that supervision results in a power-on reset (POR) event, while monitoring results in the generation of an interrupt flag that software may then handle. As such, DV_{CC} is supervised and monitored by the high-side supervisor (SVS_H) and high-side monitor (SVM_H), respectively. V_{CORE} is supervised and monitored by the low-side supervisor (SVS_L) and low-side monitor (SVM_L), respectively. Thus, there are four separate supervision and monitoring modules that can be active at any given time. The thresholds enforced by these modules are derived from the same voltage reference used by the regulator to generate V_{CORE} .

In addition to the SVS_H, SVM_H, SVS_L, and SVM_L modules, V_{CORE} is further monitored by the brownout reset (BOR) circuit. As DV_{CC} ramps up from 0 V at power up, the BOR keeps the device in reset until V_{CORE} is at a sufficient level for operation at the default MCLK rate and for the SVS_H and SVS_L mechanisms to be activated. During operation, the BOR also generates a reset if V_{CORE} falls below a preset threshold. BOR can be used to provide an even lower-power means of monitoring the supply rail if the flexibility of the SVS_L is not required.

The block diagram of the PMM is shown in [Figure 2-2](#).

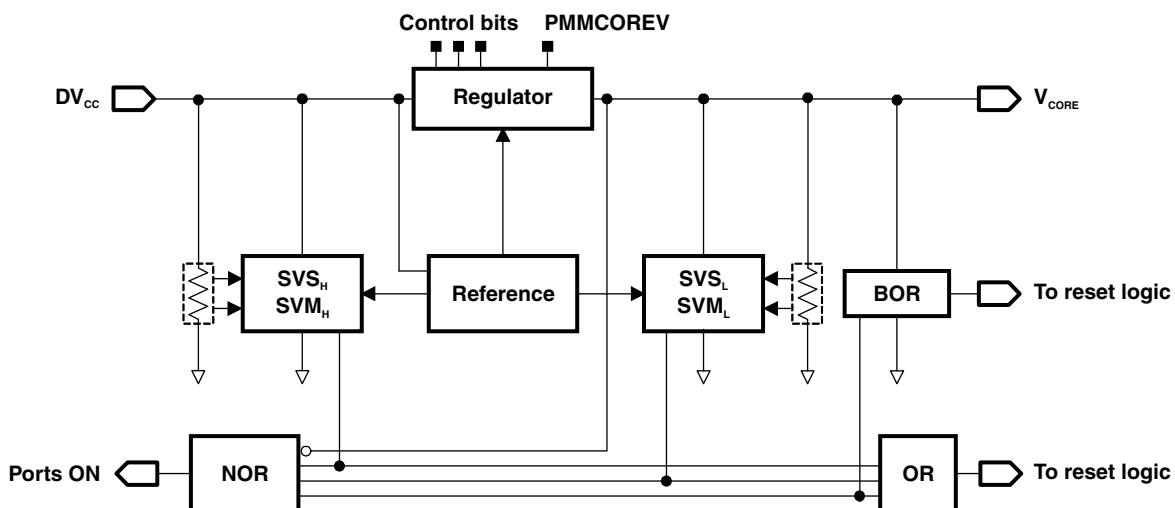


Figure 2-2. PMM Block Diagram

2.2 PMM Operation

2.2.1 V_{CORE} and the Regulator

DV_{CC} can be powered from a wide input voltage range, but the core logic of the device must be kept at a voltage lower than what this range allows. For this reason, a regulator has been integrated into the PMM. The regulator derives the necessary core voltage (V_{CORE}) from DV_{CC} .

Higher MCLK speeds require higher levels of V_{CORE} . Higher levels of V_{CORE} consume more power, and so the core voltage has been made programmable in up to four steps to allow it to provide only as much power as is required for a given MCLK setting. The level is controlled by the PMMCOREV bits. Note that the default setting, the lowest value of PMMCOREV, enables operation of MCLK over a very wide frequency range. As such, no PMM changes are required for many applications. See the device-specific data sheet for performance characteristics and core step levels supported.

Before increasing MCLK to a higher speed, it is necessary for software to ensure that the V_{CORE} level is sufficiently high for the chosen frequency. Failure to do so may force the CPU to attempt operation without sufficient power, which can cause unpredictable results. See [Section 2.2.4](#) for more information on the appropriate procedure to raise V_{CORE} for higher MCLK frequencies.

The regulator supports two different load settings to optimize power. The high-current mode is required when:

- The CPU is in active, LPM0, or LPM1 modes
- A clock source greater than 32 kHz is used to drive any module
- An interrupt is executed

Otherwise, the low-current mode is used. The hardware controls the load settings automatically, according to the criteria above.

2.2.2 Supply Voltage Supervisor and Monitor

The high-side supervisor and monitor (SVS_H and SVM_H) oversee DV_{CC} , and the low-side supervisor and monitor (SVS_L and SVM_L) oversee V_{CORE} . By default, all of these modules are active, but each can be disabled using the corresponding enable bit (SVSHE, SVMHE, SVSLE, SVMLE), resulting in some power savings.

Typical application scenarios for supply voltage supervisors and monitors are:

- High-Side Supervisor SVSH
 - Supervision of external power supply (DVCC)
 - Device reset because of low battery or supply voltage
- High-Side Monitor SVMH
 - Monitoring of external power supply (DVCC)
 - Detection of low battery voltage (Pre-warning)
- Low-Side Supervisor SVSL
 - Supervision of internal core voltage used to supply digital core
 - Device reset because of disruptive conditions at external VCORE pin (for example a short). The internal core voltage never drops below a critical level if parasitic events at the external VCORE pin are avoided.
- Low-Side Monitor SVML
 - Monitoring of internal core voltage used to supply digital core
 - Detection of correct internal voltage levels when changing (especially increasing) the core voltage level before changing, for example, to higher system frequencies (also see [Section 2.2.4](#)).

2.2.2.1 SVS and SVM Thresholds

The voltage thresholds enforced by the SVS and SVM modules are selectable. [Table 2-1](#) shows the SVS and SVM threshold registers, the voltage threshold they control, and the number of threshold options.

Table 2-1. SVS and SVM Thresholds

Register	Description	Threshold	Available Steps
SVSHRVL	SVS _H reset voltage level	SVS _{H,IT-}	4
SVSMHRRL	SVS _H , SVM _H reset release voltage level	SVS _{H,IT+} , SVM _H	8
SVSLRVL	SVS _L reset voltage level	SVS _{L,IT-}	4
SVSMLRRL	SVS _L , SVM _L reset release voltage level	SVS _{L,IT+} , SVM _L	4 ⁽¹⁾

⁽¹⁾ The register settings support up to eight levels (0 through 7); however, levels 3 through 7 are identical.

Recommended SVS_L Settings

For each of the core voltages, there are two supply voltage supervisor levels available. The SVSLRVL bits define the voltage level of V_{CORE} below which the reset is activated. The SVSMLRRL bits define the voltage level of V_{CORE} at which the reset is released. Although various settings can be chosen, there is one set of SVSLRVL and SVSMLRRL settings that is well suited for each core voltage selected by PMMCOREV. By default, an SVS_L event always generates a POR (SVSLPE = 1), and it is recommended to always configure SVSLPE = 1 for reliable device startup. The most commonly used and recommended settings are shown in [Table 2-2](#).

Table 2-2. Recommended SVS_L Settings

PMMCOREV[1:0]	DVCC (V)	SVSLRVL[1:0] Sets SVS _{L,IT-} Level	SVSMLRRL[2:0] Sets SVS _{L,IT+} and SVM _L levels
00	≥ 1.8	00	000
01	≥ 2.0	01	001
10	≥ 2.2	10	010
11	≥ 2.4	11	011

Recommended SVS_H Settings

For the high-side supply, there are two supply voltage supervisor levels available. The SVSMHRRL bits define the voltage level of DVCC at which the reset is released. The SVSHRVL register defines the voltage level of DVCC below which the reset is turned on. These settings should be selected according to the minimum voltages required for device operation in a given application, as well as system power supply characteristics. See the device-specific data sheet for threshold values corresponding to the settings shown here. Although various settings are available, the most common are based on the maximum frequency required which, in turn, determines the minimum DVCC level supervised. By default, an SVS_H event always generates a POR (SVSHPE = 1), and it is recommended to always configure SVSHPE = 1 for reliable device startup. The most commonly used and recommended settings are shown in [Table 2-3](#).

Table 2-3. Recommended SVS_H Settings

f _{sys} Max (MHz)	DVCC (V)	SVSHRVL[1:0] Sets SVS _{H,IT-} Level	SVSMHRRL[2:0] Sets SVS _{H,IT+} and SVM _H Levels	PMMCOREV[1:0]
8	>1.8	00	000	00
12	>2.0	01	001	01
20	>2.2	10	010	10
25	>2.4	11	011	11

The available voltage threshold settings of SVS_H and SVM_H are dependent on the voltage level setting of V_{CORE}. [Table 2-4](#) summarizes all the possible settings available. All other settings not listed are invalid and should not be used. [Figure 2-3](#) shows the available settings for the SVM_H.

Table 2-4. Available SVS_H and SVM_H Settings Versus V_{CORE} Settings

PMMCOREV[1:0]	SVSHRVL[1:0] Sets SVS _{H,IT} Level	SVSMHRRL[2:0] Sets SVS _{H,IT+} and SVM _H Levels
00	00 through 11	000 through 011
01	00 through 11	001 through 100
10	00 through 11	010 through 101
11	00 through 11	011 through 111

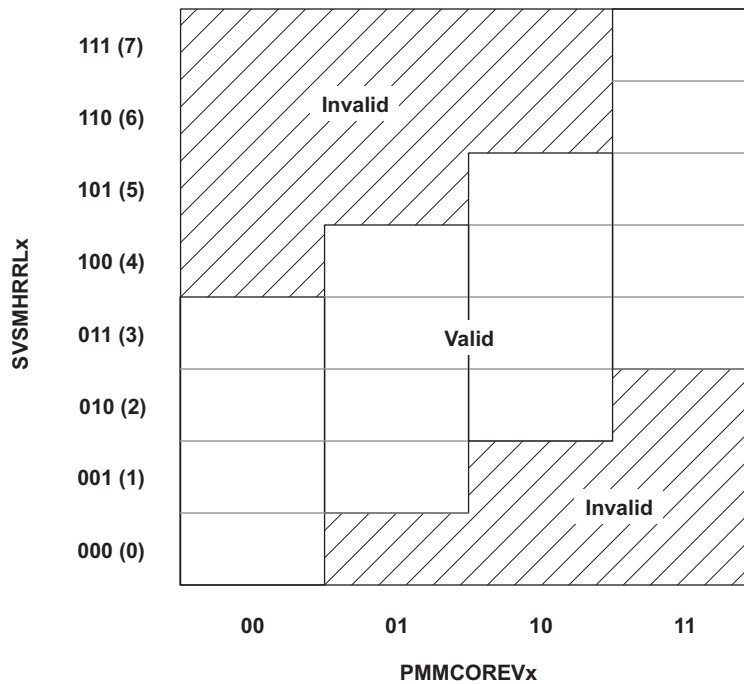


Figure 2-3. Available SVM_H Settings Versus V_{CORE} Settings

The behavior of the SVS and SVM according to these thresholds is best portrayed graphically. [Figure 2-4](#) shows how the supervisors and monitors respond to various supply failure conditions.

As [Figure 2-4](#) shows, there is hysteresis built into the supervision thresholds, such that the thresholds in force depend on whether the voltage rail is going up or down. There is no hysteresis in the monitoring thresholds.

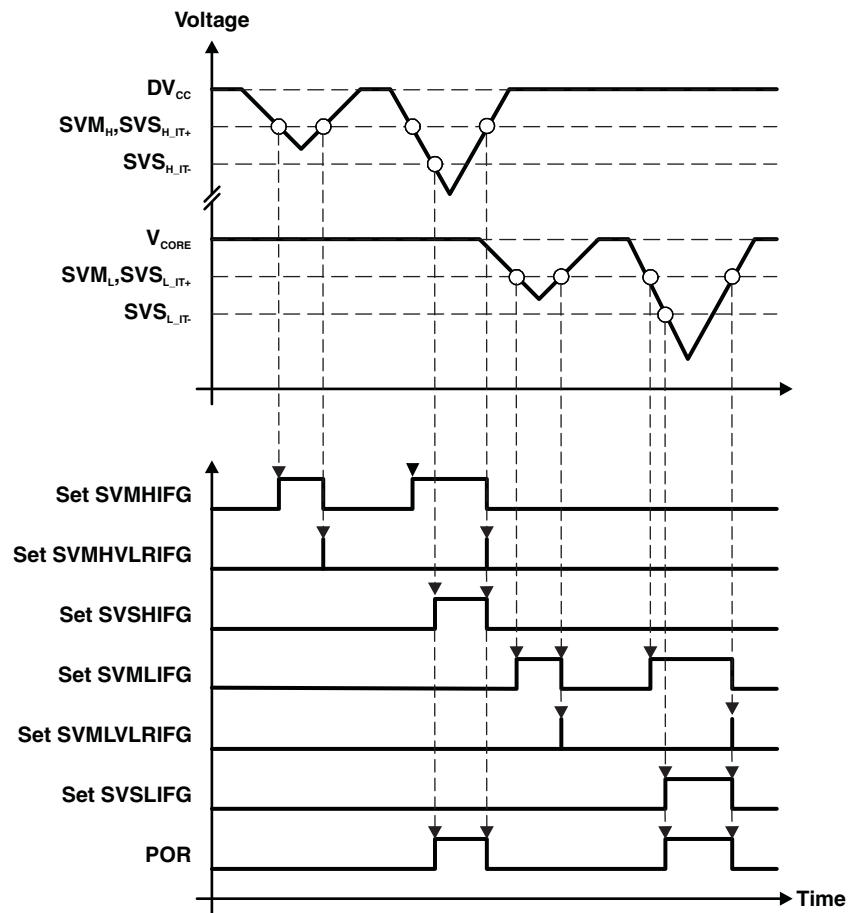


Figure 2-4. High-Side and Low-Side Voltage Failure and Resulting PMM Actions

2.2.2.2 High-Side Supervisor (SVSH) and High-Side Monitor (SVMH)

The SVSH and SVMH modules are enabled by default. They can be disabled by clearing the SVSHE and SVMHE bits, respectively. Their block diagrams are shown in [Figure 2-5](#).

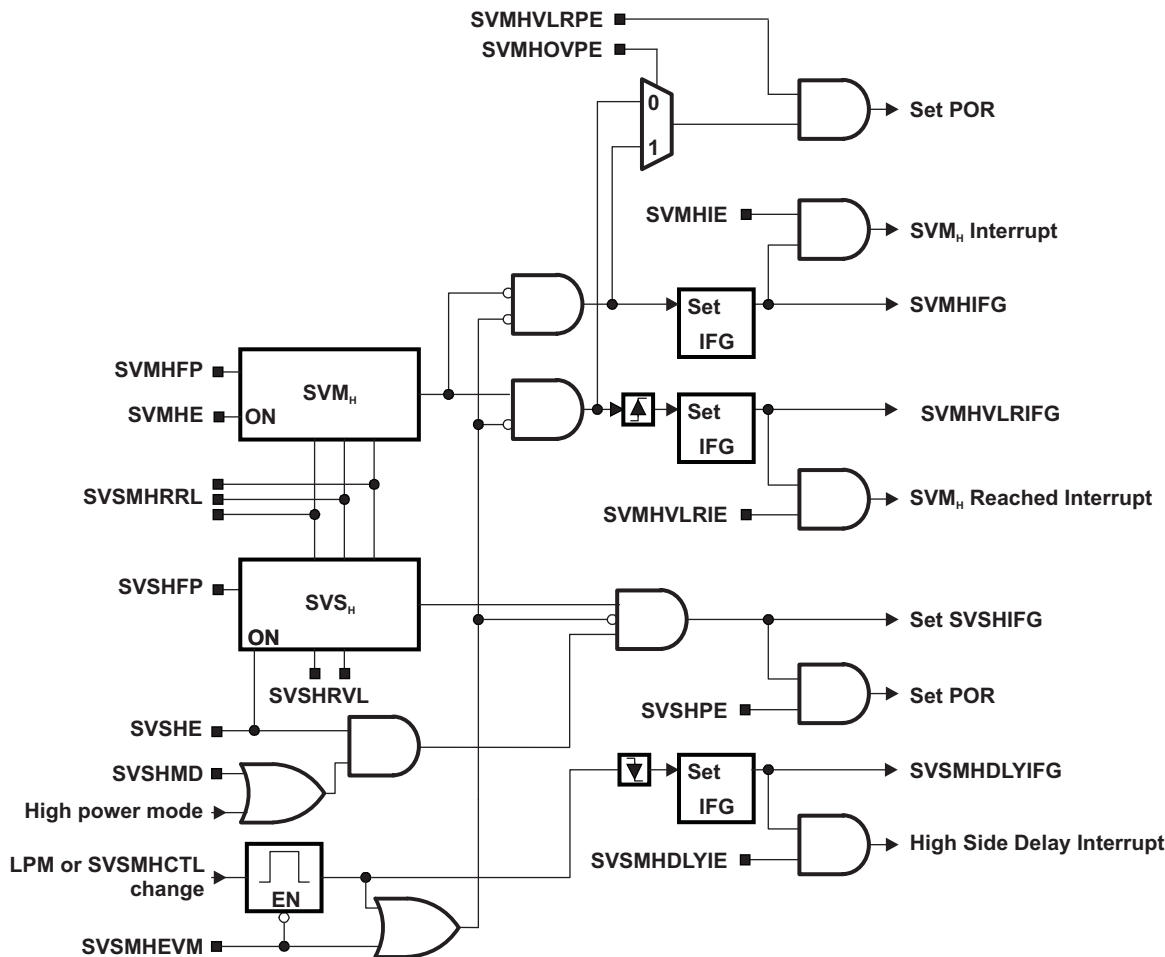


Figure 2-5. High-Side SVS and SVM

If DV_{CC} falls below the SVS_H level, $SVSHIFG$ (SVS_H interrupt flag) is set. If DV_{CC} remains below the SVS_H level and software attempts to clear $SVSHIFG$, it is immediately set again by hardware. If the $SVSHPE$ (SVS_H POR enable) bit is set when $SVSHIFG$ gets set, a POR is generated.

If DV_{CC} falls below the SVM_H level, $SVMHIFG$ (SVM_H interrupt flag) is set. If DV_{CC} remains below the SVM_H level and software attempts to clear $SVMHIFG$, it is immediately set again by hardware. If the $SVMHIE$ (SVM_H interrupt enable) bit is set when $SVMHIFG$ gets set, an interrupt is generated. If a POR is desired when $SVMHIFG$ is set, the SVM_H can be configured to do so by setting the $SVMHVL RPE$ (SVM_H voltage level reached POR enable) bit while $SVMHOVPE$ bit is cleared.

If DV_{CC} rises above the SVM_H level, the $SVMHVL RIFG$ (SVM_H voltage level reached) interrupt flag is set. If $SVMHVL RIE$ (SVM_H voltage level reached interrupt enable) is set when this occurs, an interrupt is also generated.

With the highest core voltage setting ($PMMCOREV = 11b$), the SVM_H module can also be used for overvoltage detection. This is accomplished by setting the $SVMHOVPE$ (SVM_H overvoltage POR enable) bit in addition to setting $SVMHVL RPE$. Under these conditions, if DV_{CC} exceeds safe device operation, a POR is generated.

The SVS_H and SVM_H modules have configurable performance modes for power-saving operation. (See Section 2.2.9 for more information.) If these SVS_H and SVM_H power modes are modified, or if a voltage level is modified, a delay element masks the interrupts and POR sources until the SVS_H and SVM_H circuits have settled. When $SVSMHDLYST$ (delay status) reads zero, the delay has expired. In addition, the $SVSMHDLYIFG$ (SVS_H and SVM_H delay expired) interrupt flag is set. If the $SVSMHDLYIE$ (SVS_H and SVM_H delay expired interrupt enable) is set when this occurs, an interrupt is also generated.

In case of power-fail conditions, setting SVSHMD causes the SVS_H interrupt flag to be set in LPM2, LPM3, and LPM4. If SVSHMD is not set, the SVS_H interrupt flag is not set in LPM2, LPM3, and LPM4. In addition, all SVS_H and SVM_H events can be masked by setting SVSMHEVM. For most applications, SVSMHEVM should be cleared.

All the interrupt flags of SVS_H and SVM_H remain set until cleared by a BOR or by software.

2.2.2.3 Low-Side Supervisor (SVS_L) and Low-Side Monitor (SVM_L)

The SVS_L and SVM_L modules are enabled by default. They can be disabled by clearing SVSLE and SVMLE bits, respectively. Their block diagrams are shown in Figure 2-6.

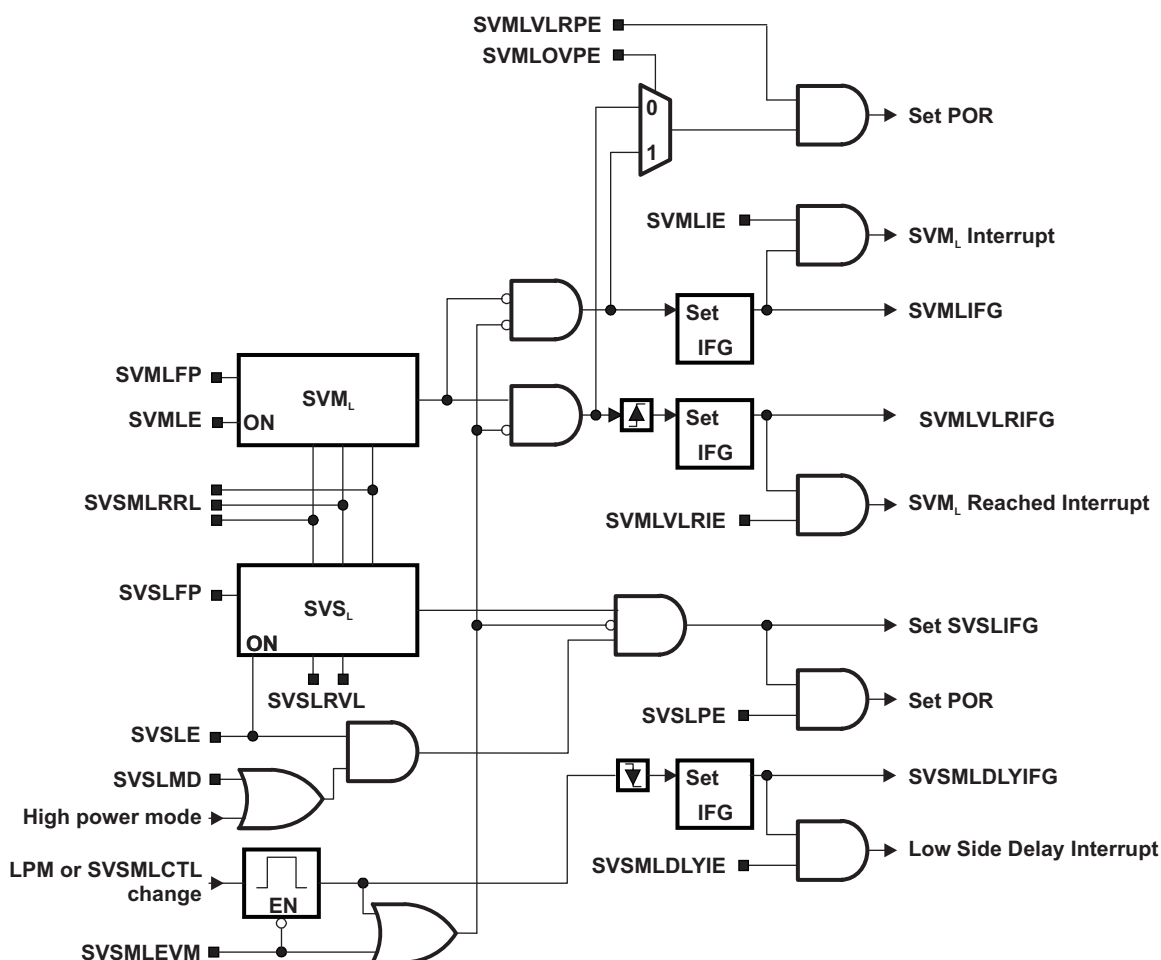


Figure 2-6. Low-Side SVS and SVM

If V_{CORE} falls below the SVS_L level, SVSLIFG (SVS_L interrupt flag) is set. If V_{CORE} remains below the SVS_L level and software attempts to clear SVSLIFG, it is immediately set again by hardware. If the SVSLPE (SVS_L POR enable) bit is set when SVSLIFG gets set, a POR is generated.

If V_{CORE} falls below the SVM_L level, SVMLIFG (SVM_L interrupt flag) is set. If V_{CORE} remains below the SVM_L level and software attempts to clear SVMLIFG, it is immediately set again by hardware. If the SVMLIE (SVM_L interrupt enable) bit is set when SVMLIFG gets set, an interrupt is generated. If a POR is desired when SVMLIFG is set, the SVM_L can be configured to do so by setting the SVMLVLRPE (SVM_L voltage level reached POR enable) bit while SVMLOVPE bit is cleared.

If V_{CORE} rises above the SVM_L level, the SVMLVLRIFG (SVM_L voltage level reached) interrupt flag is set. If SVMLVLRIE (SVM_L voltage level reached interrupt enable) is set when this occurs, an interrupt is also generated.

The SVM_L module can also be used for overvoltage detection. This is accomplished by setting the SVMLOVPE (SVM_L overvoltage POR enable) bit, in addition to setting SVMLVLRPE. Under these conditions, if V_{CORE} exceeds safe device operation, a POR is generated.

The SVS_L and SVM_L modules have configurable performance modes for power-saving operation. (See Section 2.2.9 for more information.) If these SVS_L and SVM_L power modes are modified, or if a voltage level is modified, a delay element masks the interrupts and POR sources until the SVS_L and SVM_L circuits have settled. When SVSMLDLYST (delay status) reads zero, the delay has expired. In addition, the SVSMLDLYIFG (SVS_L/SVM_L delay expired) interrupt flag is set. If the SVSMLDLYIE (SVS_L /SVM_L delay expired interrupt enable) is set when this occurs, an interrupt is also generated.

In case of power-fail conditions, setting SVSLMD causes the SVS_L interrupt flag to be set in LPM2, LPM3, and LPM4. If SVSLMD is not set, the SVS_L interrupt flag is not set in LPM2, LPM3, and LPM4. In addition, all SVS_L and SVM_L events can be masked by setting SVSMLEVM. For most applications, SVSMLEVM should be cleared.

All the interrupt flags of SVS_L and SVM_L remain set until cleared by a BOR or by software.

2.2.3 Supply Voltage Supervisor and Monitor - Power-Up

When the device is powering up, the SVS_H and SVS_L functions are enabled by default. Initially, DV_{CC} is low, and therefore the PMM holds the device in POR reset. When both the SVS_H and SVS_L levels are met, the reset is released. Figure 2-7 shows this process.

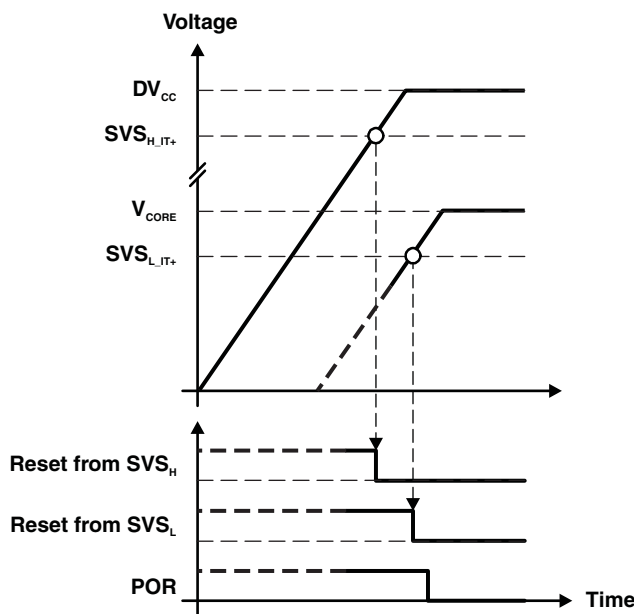


Figure 2-7. PMM Action at Device Power-Up

After this point, both voltage domains are supervised and monitored while the respective modules are enabled.

2.2.4 Increasing V_{CORE} to Support Higher MCLK Frequencies

With a reset, V_{CORE} and all the PMM thresholds, default to their lowest possible levels. These default settings allow a wide range of MCLK operation, and in many applications no change to these levels is required. However, if the application requires the performance provided by higher MCLK frequencies, software should ensure that V_{CORE} has been raised to a sufficient voltage level before changing MCLK, since failing to supply sufficient voltage to the CPU could produce unpredictable results. For a given device, minimum V_{CORE} levels required for maximum MCLK frequencies have been established (See the device data sheet for specific values).

After setting PMMCOREV to increase V_{CORE} , there is a time delay until the new voltage has been established. Software must not raise MCLK until the necessary core voltage has settled. SVM_L can be used to verify that V_{CORE} has met the required minimum value, prior to increasing MCLK. Figure 2-8 shows this procedure.

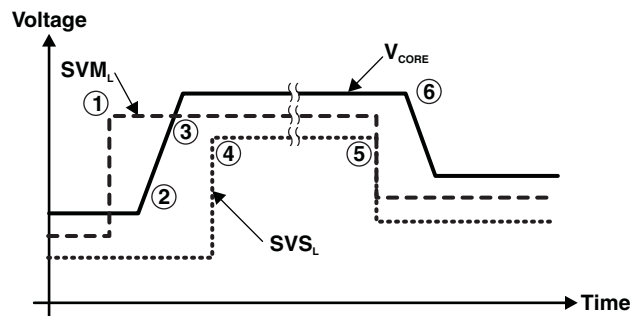


Figure 2-8. Changing V_{CORE} and SVM_L and SVS_L Levels

It is critical that the V_{CORE} level be increased by only one level at a time. The following steps 1 through 4 show the procedure to increase V_{CORE} by one level. This sequence is repeated to change the V_{CORE} level until the targeted level is obtained:

- Step 1: Program the SVM_H and SVS_H to the next level to ensure DV_{CC} is high enough for the next V_{CORE} level. Program the SVM_L to the next level and wait for (SVSMHDLYIFG) to be set.
- Step 2: Program PMMCOREV to the next V_{CORE} level.
- Step 3: Wait for the voltage level reached (SVMLVLRIFG) flag.
- Step 4: Program the SVS_L to the next level.

As a reference, the following is a C code example for increasing V_{CORE} . The sample libraries provide routines for increasing and decreasing the V_{CORE} and should be used whenever possible.

```
; C Code example for increasing core voltage.
; Note: Change core voltage one level at a time.
```

```
void SetVCoreUp (unsigned int level)
{
    // Open PMM registers for write access
    PMMCTL0_H = 0xA5;
    // Make sure no flags are set for iterative sequences
    while ((PMMIFG & SVSMHDLYIFG) == 0);
    while ((PMMIFG & SVSMLDLYIFG) == 0);
    // Set SVS/SVM high side new level
    SVSMHCTL = SVSHE + SVSHRVL0 * level + SVMHE + SVSMHRRLO * level;
    // Set SVM low side to new level
    SVSMLCTL = SVSLE + SVMLE + SVSMLRRL0 * level;
    // Wait till SVM is settled
    while ((PMMIFG & SVSMLDLYIFG) == 0);
    // Clear already set flags
    PMMIFG &= ~(SVMLVLRIFG + SVMLIFG);
    // Set VCore to new level
    PMMCTL0_L = PMMCOREV0 * level;
    // Wait till new level reached
    if ((PMMIFG & SVMLIFG))
        while ((PMMIFG & SVMLVLRIFG) == 0);
    // Set SVS/SVM low side to new level
    SVSMLCTL = SVSLE + SVSLRVL0 * level + SVMLE + SVSMLRRL0 * level;
    // Lock PMM registers for write access
    PMMCTL0_H = 0x00;
}
```

NOTE: See the *MSP430x5xx and MSP430x6xx Core Libraries* ([SLAA448](#)). These libraries contain useful and ready-to-use functions for easily configuring and using the PMM module.

2.2.5 Decreasing V_{CORE} for Power Optimization

The risk posed by increasing MCLK frequency does not exist when decreasing MCLK from the current V_{CORE} or higher settings, because higher V_{CORE} levels can still support MCLK frequencies below the ones for which they were intended. However, significant power efficiency gains can be made by operating V_{CORE} at the lowest value required for a given MCLK frequency. It is critical that the V_{CORE} level be decreased by only one level at a time. The following steps show the procedure to decrease V_{CORE} by one level. This sequence is repeated to change the V_{CORE} level until the targeted level is obtained:

Steps 5 through 6 show the procedure to decrease V_{CORE} :

- Step 5: Program the SVM_L and SVS_L to the new level and wait for (SVSMLDLYIFG) to be set.
- Step 6: Program PMMCOREV to the new V_{CORE} level.

It is critical when lowering the V_{CORE} setting that the maximum MCLK frequency for the new V_{CORE} setting is not violated (see the device-specific data sheet).

2.2.6 Transition From LPM3 and LPM4 Modes to AM

The LDO requires time to settle when the application transitions from low-power modes to active modes. If a transition from LPM3 or LPM4 occurs and the device does not stay in active mode long enough, the LDO does not have time to settle sufficiently. Circuitry inside the LDO ensures that the LDO has its minimum required time to settle to its proper operating voltage. The circuitry ensures that every eighth transition from LPM3 or LPM4 causes the LDO to remain on long enough to properly settle. This is handled automatically and requires no setting by the application.

2.2.7 LPM3.5 and LPM4.5

LPM3.5 and LPM4.5 are additional low-power modes in which the regulator of the PMM is completely disabled, providing additional power savings. Not all devices support all LPMx.5 modes, so see the device-specific data sheet. Because there is no power supplied to V_{CORE} during LPMx.5, the CPU and all digital modules including RAM are unpowered. This disables the entire device and, as a result, the contents of the registers and RAM are lost. Any essential values should be stored to flash prior to entering LPMx.5. PMMREGOFF bit is used to disable the regulator. See the SYS module for complete descriptions and proper uses of LPMx.5.

Because the regulator of the PMM is disabled upon entering LPMx.5, all I/O register configurations are lost. Therefore, the configuration of I/O pins must be handled differently to ensure that all pins in the application behave in a controlled manner upon entering and exiting LPMx.5. Properly setting the I/O pins is critical to achieving the lowest possible power consumption in LPMx.5, as well as preventing any possible uncontrolled input or output I/O state in the application. The application has complete control of the I/O pin conditions preventing the possibility of unwanted spurious activity upon entry and exit from LPMx.5. The I/O pin state is held and locked based on the settings prior to LPMx.5 entry. Upon entry into LPMx.5, the LOCKLPM5 bit in PM5CTL0 of the PMM module is set automatically. Note that only the pin condition is retained. All other port configuration register settings are lost. See the Digital I/O chapter for further details.

2.2.8 Brownout Reset (BOR), Software BOR, Software POR

The primary function of the brownout reset (BOR) circuit occurs when the device is powering up. It is functional very early in the power-up ramp, generating a POR that initializes the system. It also functions when no SVS is enabled and a brownout condition occurs. It sustains this reset until the input power is sufficient for the logic, for proper reset of the system.

In an application, it may be desired to cause a BOR via software. Setting PMMSWBOR causes a software-driven BOR. PMMBORIFG is set accordingly. Note that a BOR also initiates a POR and PUC. PMMBORIFG can be cleared by software or by reading SYSRSTIV. Similarly, it is possible to cause a POR via software by setting PMMSWPOR. PMMPORIFG is set accordingly. A POR also initiates a PUC. PMMPORIFG can be cleared by software or by reading SYSRSTIV. Both PMMSWBOR and PMMSWPOR are self clearing. See the SYS module for complete descriptions of BOR, POR, and PUC resets.

2.2.9 SVS and SVM Performance Modes and Wakeup Times

The supervisors/monitors can function in one of two modes: normal and full performance. The difference is a tradeoff in response time versus the power consumed; full-performance mode has a faster response time but consumes considerably more power than normal mode. Full-performance mode might be considered in applications in which the decoupling of the external power supply cannot adequately prevent fast spikes on DV_{CC} from occurring, or when the application has a particular intolerance to failure. In such cases, full-performance mode provides an additional layer of protection.

There are two ways to control the performance mode: manual and automatic. In manual mode, the normal/full-performance selection is the same for every operational mode except LPMx.5 (the SVS and SVM are always disabled in LPMx.5). In this case, the normal or full-performance selection is made with the SVSHFP, SVMHFP, SVSLFP, or SVMLFP bit, for their respective modules.

In automatic mode, hardware changes the normal or full-performance selection depending on the operational mode in effect.

The wakeup time of the device from low-power modes is affected by the settings of the SVS_L and SVM_L performance modes as listed in [Table 2-6](#), [Table 2-7](#), [Table 2-8](#), and [Table 2-9](#). The wakeup time from low-power modes is not affected by the settings of the SVS_H and SVM_H . All wake-ups from LPMx.5 (LPM3.5 or LPM4.5), are defined by the data sheet parametric, $t_{WAKE-UP-LPM5}$, regardless of the performance modes for SVS_L or SVM_L , because these are disabled in LPMx.5.

The tables in [Section 2.2.9.1](#) and [Section 2.2.9.2](#) show the required settings to select the control and performance modes for SVS_L , SVM_L , SVS_H , and SVM_H .

NOTE: Low-Power Modes

Even if the CPU requests a specific low-power mode, the device might not go into that state because of modules requesting clocks that should be switched off or have higher frequencies or because of modules requesting a higher drive capability of the LDO. The low-power modes mentioned in the tables assume that the device is actually in the requested state; that is, no module is requesting a deviating clock setting or drive capability.

2.2.9.1 Low-Side SVS and SVM Control and Performance Mode Selection
Table 2-5. SVS_L and SVM_L Control Mode Selection

SVSMLACE	SVSLMD	SVS _L Control Mode	SVM _L Control Mode
0	0	Automatic (see Table 2-6)	Manual (see Table 2-8)
0	1	Manual (see Table 2-7)	Manual (see Table 2-8)
1	0	Automatic (see Table 2-6)	Automatic (see Table 2-9)
1	1	Automatic (see Table 2-6)	Automatic (see Table 2-9)

Table 2-6. SVS_L Automatic Performance Control

SVSLE	SVSLMD	SVSLFP	AM, LPM0, LPM1 SVS _L State	LPM2, LPM3, LPM4 SVS _L State	Wakeup Time LPM2, LPM3, LPM4
0	x	x	Off	Off	t _{WAKE-UP-FAST}
1	0	0	Normal	Off	t _{WAKE-UP-SLOW}
1	0	1	Full performance	Off	t _{WAKE-UP-FAST}
1	1	0	Normal	Off	t _{WAKE-UP-SLOW}
1	1	1	Full performance	Normal	t _{WAKE-UP-FAST}

Table 2-7. SVS_L Manual Performance Modes

SVSLE	SVSLMD	SVSLFP	AM, LPM0, LPM1 SVS _L State	LPM2, LPM3, LPM4 SVS _L State	Wakeup Time LPM2, LPM3, LPM4
0	x	x	Off	Off	t _{WAKE-UP-FAST}
1	0	0	Normal	Normal	t _{WAKE-UP-SLOW}
1	1	1	Full performance	Full performance	t _{WAKE-UP-FAST}

Table 2-8. SVM_L Automatic Performance Control

SVMLE	SVSLMD	SVMLFP	AM, LPM0, LPM1 SVM _L State	LPM2, LPM3, LPM4 SVM _L State	Wakeup Time LPM2, LPM3, LPM4
0	x	x	Off	Off	t _{WAKE-UP-FAST}
1	0	0	Normal	Off	t _{WAKE-UP-SLOW}
1	1	1	Full performance	Normal	t _{WAKE-UP-FAST}

Table 2-9. SVM_L Manual Performance Modes

SVMLE	SVSLMD	SVMLFP	AM, LPM0, LPM1 SVM _L State	LPM2, LPM3, LPM4 SVM _L State	Wakeup Time LPM2, LPM3, LPM4
0	x	x	Off	Off	t _{WAKE-UP-FAST}
1	0	0	Normal	Normal	t _{WAKE-UP-SLOW}
1	1	1	Full performance	Full performance	t _{WAKE-UP-FAST}

2.2.9.2 High-Side SVS and SVM Control and Performance Mode Selection

Table 2-10. SVS_H and SVM_H Control Mode Selection

SVSMHACE	SVSHMD	SVS _H Control Mode	SVM _H Control Mode
0	0	Automatic (see Table 2-11)	Manual (see Table 2-13)
0	1	Manual (see Table 2-12)	Manual (see Table 2-13)
1	0	Automatic (see Table 2-11)	Automatic (see Table 2-14)
1	1	Automatic (see Table 2-11)	Automatic (see Table 2-14)

Table 2-11. SVS_H Automatic Performance Control

SVSHE	SVSHMD	SVSHFP	AM, LPM0, LPM1 SVS _H State	LPM2, LPM3, LPM4 SVS _H State
0	x	x	Off	Off
1	0	0	Normal	Off
1	0	1	Full performance	Off
1	1	0	Normal	Off
1	1	1	Full performance	Normal

Table 2-12. SVS_H Manual Performance Modes

SVSHE	SVSHMD	SVSHFP	AM, LPM0, LPM1 SVS _H State	LPM2, LPM3, LPM4 SVS _H State
0	x	x	Off	Off
1	0	0	Normal	Normal
1	1	1	Full performance	Full performance

Table 2-13. SVM_H Automatic Performance Control

SVMHE	SVSMHACE	SVMHFP	AM, LPM0, LPM1 SVM _H State	LPM2, LPM3, LPM4 SVM _H State
0	x	x	Off	Off
1	0	0	Normal	Off
1	1	1	Full performance	Normal

Table 2-14. SVM_H Manual Performance Modes

SVMHE	SVSMHACE	SVMHFP	AM, LPM0, LPM1 SVM _H State	LPM2, LPM3, LPM4 SVM _H State
0	x	x	Off	Off
1	0	0	Normal	Normal
1	1	1	Full performance	Full performance

2.2.9.3 Wakeup Times in Debug Mode

The TEST/SBWTCK pin is used for interfacing to the development tools via Spy-Bi-Wire and JTAG. When the TEST/SBWTCK pin is high, wakeup times from LPM2, LPM3, and LPM4 may be different compared to when TEST/SBWTCK is low. When the TEST/SBWTCK pin is high, all delays associated with the SVS_L and SVM_L settings have no effect and the device wakes within $t_{\text{WAKE-UP-FAST}}$. Pay careful attention to the real-time behavior when exiting from LPM2, LPM3, and LPM4 with the device connected to a development tool (for example, MSP-FET430UIF).

2.2.10 PMM Interrupts

Interrupt flags generated by the PMM are routed to the system NMI interrupt vector generator register, SYSSNIV. When the PMM causes a reset, a value is generated in the system reset interrupt vector generator register, SYSRSTIV, corresponding to the source of the reset. These registers are defined within the SYS module. More information on the relationship between the PMM and SYS modules is available in the SYS chapter.

2.2.11 Port I/O Control

The PMM provides a means of ensuring that I/O pins cannot behave in uncontrolled fashion during an undervoltage event. During these times, outputs are disabled, both normal drive and the weak pullup/pulldown function. If the CPU is functioning normally, and then an undervoltage event occurs, any pin configured as an input has its PxIN register value locked in at the point the event occurs, until voltage is restored. During the undervoltage event, external voltage changes on the pin are not registered internally. This helps prevent erratic behavior from occurring.

2.2.12 Supply Voltage Monitor Output (SVMOUT, Optional)

The state of SVMLIFG, SVMLVLRIFG, SVMHIFG, and SVMLVLRIFG can be monitored on the external SVMOUT pin. Each of these interrupt flags can be enabled (SVMLOE, SVMLVLRIOE, SVMHIOE, SVMLVLRIOE) to generate an output signal. The polarity of the output is selected by the SVMOUTPOL bit. If SVMOUTPOL is set, the output is set to 1 if an enabled interrupt flag is set.

2.3 PMM Registers

The PMM registers are listed in [Table 2-15](#). The base address of the PMM module can be found in the device-specific data sheet. The address offset of each PMM register is given in [Table 2-15](#). The password, PMMPW, defined in the PMMCTL0 register controls access to all PMM, SVS, and SVM registers. Once the correct password is written, the write access is enabled. The write access is disabled by writing a wrong password in byte mode to the PMMCTL0 upper byte. Word accesses to PMMCTL0 with a wrong password triggers a PUC. A write access to a register other than PMMCTL0 while write access is not enabled causes a PUC.

NOTE: All registers have word or byte register access. For a generic register *ANYREG*, the suffix "_L" (*ANYREG_L*) refers to the lower byte of the register (bits 0 through 7). The suffix "_H" (*ANYREG_H*) refers to the upper byte of the register (bits 8 through 15).

Table 2-15. PMM Registers

Offset	Acronym	Register Name	Type	Access	Reset	Section
00h	PMMCTL0	PMM control register 0	Read/write	Word	9600h	Section 2.3.1
00h	PMMCTL0_L		Read/write	Byte	00h	
01h	PMMCTL0_H		Read/write	Byte	96h	
02h	PMMCTL1	PMM control register 1	Read/write	Word	0000h	Section 2.3.2
02h	PMMCTL1_L		Read/write	Byte	00h	
03h	PMMCTL1_H		Read/write	Byte	00h	
04h	SVSMHCTL	SVS and SVM high side control register	Read/write	Word	4400h	Section 2.3.3
04h	SVSMHCTL_L		Read/write	Byte	00h	
05h	SVSMHCTL_H		Read/write	Byte	44h	
06h	SVSMLCTL	SVS and SVM low side control register	Read/write	Word	4400h	Section 2.3.4
06h	SVSMLCTL_L		Read/write	Byte	00h	
07h	SVSMLCTL_H		Read/write	Byte	44h	
08h	SVSMIO	SVSIN and SVMOUT control register (optional)	Read/write	Word	0020h	Section 2.3.5
08h	SVSMIO_L		Read/write	Byte	20h	
09h	SVSMIO_H		Read/write	Byte	00h	
0Ch	PMMIFG	PMM interrupt flag register	Read/write	Word	0000h	Section 2.3.6
0Ch	PMMIFG_L		Read/write	Byte	00h	
0Dh	PMMIFG_H		Read/write	Byte	00h	
0Eh	PMMRIE	PMM interrupt enable register	Read/write	Word	1100h	Section 2.3.7
0Eh	PMMRIE_L		Read/write	Byte	00h	
0Fh	PMMRIE_H		Read/write	Byte	11h	
10h	PM5CTL0	Power mode 5 control register 0	Read/write	Word	0000h	Section 2.3.8
10h	PM5CTL0_L		Read/write	Byte	00h	
11h	PM5CTL0_H		Read/write	Byte	00h	

2.3.1 PMMCTL0 Register

Power Management Module Control Register 0

Figure 2-9. PMMCTL0 Register

15	14	13	12	11	10	9	8
PMPW							
rw-1	rw-0	rw-0	rw-1	rw-0	rw-1	rw-1	rw-0
7	6	5	4	3	2	1	0
PMMHPMRE PMMHPMRE	Reserved		PMMREGOFF	PMMSWPOR	PMMSWBOR	PMMCOREV	
rw-0	r-0	r-0	rw-0	rw-0	rw-0	rw-[0]	rw-[0]

Table 2-16. PMMCTL0 Register Description

Bit	Field	Type	Reset	Description
15-8	PMPW	RW	96h	PMM password. Always read as 096h. When using word operations, must be written with 0A5h or a PUC is generated. When using byte operation, writing 0A5h unlocks all PMM registers. When using byte operation, writing anything different than 0A5h locks all PMM registers.
7	PMMHPMRE	RW	0h	Global high power module request enable. If the PMMHPMRE bit is set, any module is able to request the PMM high-power mode.
7	PMMHPMRE	RW	0h	Global high power module request enable. If the PMMHPMRE bit is set, any module is able to request the PMM high-power mode.
6-5	Reserved	R	0h	Reserved. Always reads as 0.
4	PMMREGOFF	RW	0h	Regulator off (see the SYS chapter for details)
3	PMMSWPOR	RW	0h	Software power-on reset. Setting this bit to 1 triggers a POR. This bit is self clearing.
2	PMMSWBOR	RW	0h	Software brownout reset. Setting this bit to 1 triggers a BOR. This bit is self clearing.
1-0	PMMCOREV	RW	0h	Core voltage (see the device-specific data sheet for supported levels and corresponding voltages) 00b = V(CORE) level 0 01b = V(CORE) level 1 10b = V(CORE) level 2 11b = V(CORE) level 3

2.3.2 PMMCTL1 Register

Power Management Module Control Register 1

Figure 2-10. PMMCTL1 Register

15	14	13	12	11	10	9	8
Reserved							
r-0	r-0	r-0	r-0	r-0	r-0	r-0	r-0
7	6	5	4	3	2	1	0
Reserved		Reserved		Reserved		Reserved	
r-0	r-0	rw-[0]	rw-[0]	r-0	r-0	rw-0	rw-0

Table 2-17. PMMCTL1 Register Description

Bit	Field	Type	Reset	Description
15-6	Reserved	R	0h	Reserved. Always reads as 0.
5-4	Reserved	RW	0h	Reserved. Must always be written with 0.
3-2	Reserved	R	0h	Reserved. Always reads as 0.
1-0	Reserved	RW	0h	Reserved. Must always be written with 0.

2.3.3 SVSMHCTL Register

Supply Voltage Supervisor and Monitor High-Side Control Register

Figure 2-11. SVSMHCTL Register

15	14	13	12	11	10	9	8
SVMHFP	SVMHE	Reserved	SVMHOVPE	SVSHFP	SVSHE	SVSHRVL	
rw-[0]	rw-1	r-0	rw-[0]	rw-[0]	rw-1	rw-[0]	rw-[0]
7	6	5	4	3	2	1	0
SVSMHACE	SVSMHEVM	Reserved	SVSHMD	SVSMHDLYST	SVSMHRRL		
rw-[0]	rw-0	r-0	rw-0	r-0	rw-[0]	rw-[0]	rw-[0]

Table 2-18. SVSMHCTL Register Description

Bit	Field	Type	Reset	Description
15	SVMHFP	RW	0h	SVM high-side full-performance mode. If this bit is set, the SVMH operates in full-performance mode. 0b = Normal mode. See the device-specific data sheet for response times. 1b = Full-performance mode. See the device-specific data sheet for response times.
14	SVMHE	RW	1h	SVM high-side enable. If this bit is set, the SVMH is enabled.
13	Reserved	R	0h	Reserved. Always reads as 0.
12	SVMHOVPE	RW	0h	SVM high-side overvoltage enable. If this bit is set, the SVMH overvoltage detection is enabled. If SVMHVL RPE is also set, a POR occurs on an overvoltage condition.
11	SVSHFP	RW	0h	SVS high-side full-performance mode. If this bit is set, the SVSH operates in full-performance mode. 0b = Normal mode. See the device-specific data sheet for response times. 1b = Full-performance mode. See the device-specific data sheet for response times.
10	SVSHE	RW	1h	SVS high-side enable. If this bit is set, the SVSH is enabled.
9-8	SVSHRVL	RW	0h	SVS high-side reset voltage level. If DVCC falls short of the SVSH voltage level selected by SVSHRVL, a reset is triggered (if SVSHPE = 1). The voltage levels are defined in the device-specific data sheet.
7	SVSMHACE	RW	0h	SVS and SVM high-side automatic control enable. If this bit is set, the low-power mode of the SVSH and SVMH circuits is under hardware control.
6	SVSMHEVM	RW	0h	SVS and SVM high-side event mask. If this bit is set, the SVSH and SVMH events are masked. 0b = No events are masked. 1b = All events are masked.
5	Reserved	R	0h	Reserved. Always reads as 0.
4	SVSHMD	RW	0h	SVS high-side mode. If this bit is set, the SVSH interrupt flag is set in LPM2, LPM3, and LPM4 in case of power-fail conditions. If this bit is not set, the SVSH interrupt is not set in LPM2, LPM3, and LPM4.
3	SVSMHDLYST	RW	0h	SVS and SVM high-side delay status. If this bit is set, the SVSH and SVMH events are masked for some delay time. The delay time depends on the power mode of the SVSH and SVMH. If SVMHFP = 1 and SVSHFP = 1 (that is, full-performance mode), the delay is shorter. See the device-specific data sheet for details. The bit is cleared by hardware if the delay has expired.
2-0	SVSMHRRL	RW	0h	SVS and SVM high-side reset release voltage level. These bits define the reset release voltage level of the SVSH. It is also used for the SVMH to define the voltage reached level. The voltage levels are defined in the device-specific data sheet.

2.3.4 SVSMLCTL Register

Supply Voltage Supervisor and Monitor Low-Side Control Register

Figure 2-12. SVSMLCTL Register

15	14	13	12	11	10	9	8
SVMLFP	SVMLE	Reserved	SVMLOVPE	SVSLFP	SVSLE	SVSLRVL	
rw-[0]	rw-1	r-0	rw-[0]	rw-[0]	rw-1	rw-[0]	rw-[0]
7	6	5	4	3	2	1	0
SVSMLACE	SVSMLEVM	Reserved	SVSLMD	SVSMLDLYST	SVSMLRRL		
rw-[0]	rw-0	r-0	rw-0	r-0	rw-[0]	rw-[0]	rw-[0]

Table 2-19. SVSMLCTL Register Description

Bit	Field	Type	Reset	Description
15	SVMLFP	RW	0h	SVM low-side full-performance mode. If this bit is set, the SVML operates in full-performance mode. 0b = Normal mode. See the device-specific data sheet for response times. 1b = Full-performance mode. See the device-specific data sheet for response times.
14	SVMLE	RW	1h	SVM low-side enable. If this bit is set, the SVML is enabled.
13	Reserved	R	0h	Reserved. Always reads as 0.
12	SVMLOVPE	RW	0h	SVM low-side overvoltage enable. If this bit is set, the SVML overvoltage detection is enabled.
11	SVSLFP	RW	0h	SVS low-side full-performance mode. If this bit is set, the SVSL operates in full-performance mode. 0b = Normal mode. See the device-specific data sheet for response times. 1b = Full-performance mode. See the device-specific data sheet for response times.
10	SVSLE	RW	1h	SVS low-side enable. If this bit is set, the SVSL is enabled.
9-8	SVSLRVL	RW	0h	SVS low-side reset voltage level. If V(CORE) falls short of the SVSL voltage level selected by SVSLRVL, a reset is triggered (if SVSLPE = 1).
7	SVSMLACE	RW	0h	SVS and SVM low-side automatic control enable. If this bit is set, the low-power mode of the SVSL and SVM circuits is under hardware control.
6	SVSMLEVM	RW	0h	SVS and SVM low-side event mask. If this bit is set, the SVSL and SVML events are masked. 0b = No events are masked. 1b = All events are masked.
5	Reserved	R	0h	Reserved. Always reads as 0.
4	SVSLMD	RW	0h	SVS low-side mode. If this bit is set, the SVSL interrupt flag is set in LPM2, LPM3 and LPM4 in case of power-fail conditions. If this bit is not set, the SVSL interrupt is not set in LPM2, LPM3, and LPM4.
3	SVSMLDLYST	RW	0h	SVS and SVM low-side delay status. If this bit is set, the SVSL and SVML events are masked for a delay time. The delay time depends on the power mode of the SVSL and SVML. If SVMLFP = 1 and SVSLFP = 1 (that is, full-performance mode), the delay is shorter. The bit is cleared by hardware if the delay has expired.
2-0	SVSMLRRL	RW	0h	SVS and SVM low-side reset release voltage level. These bits define the reset release voltage level of the SVSL. It is also used for the SVML to define the voltage reached level.

2.3.5 SVSMIO Register

SVSIN and SVMOUT Control Register

Figure 2-13. SVSMIO Register

15	14	13	12	11	10	9	8
Reserved			SVMHVLROE	SVMHOE	Reserved		
r-0	r-0	r-0	rw-[0]	rw-[0]	r-0	r-0	r-0
7	6	5	4	3	2	1	0
Reserved		SVMOUTPOL	SVMLVLROE	SVMLOE	Reserved		
r-0	r-0	rw-[1]	rw-[0]	rw-[0]	r-0	r-0	r-0

Table 2-20. SVSMIO Register Description

Bit	Field	Type	Reset	Description
15-13	Reserved	R	0h	Reserved. Always reads as 0.
12	SVMHVLROE	RW	0h	SVM high-side voltage level reached output enable. If this bit is set, the SVMHVLRIFG bit is output to the device SVMOUT pin. The device-specific port logic has to be configured accordingly.
11	SVMHOE	RW	0h	SVM high-side output enable. If this bit is set, the SVMHIFG bit is output to the device SVMOUT pin. The device-specific port logic has to be configured accordingly.
10-6	Reserved	R	0h	Reserved. Always reads as 0.
5	SVMOUTPOL	RW	1h	SVMOUT pin polarity. If this bit is set, SVMOUT is active high. An error condition is signaled by a 1 at SVMOUT. If SVMOUTPOL is cleared, the error condition is signaled by a 0 at the SVMOUT pin.
4	SVMLVLROE	RW	0h	SVM low-side voltage level reached output enable. If this bit is set, the SVMLVLRIFG bit is output to the device SVMOUT pin. The device-specific port logic has to be configured accordingly.
3	SVMLOE	RW	0h	SVM low-side output enable. If this bit is set, the SVMLIFG bit is output to the device SVMOUT pin. The device-specific port logic has to be configured accordingly.
2-0	Reserved	R	0h	Reserved. Always reads as 0.

2.3.6 PMMIFG Register

Power Management Module Interrupt Flag Register

Figure 2-14. PMMIFG Register

15	14	13	12	11	10	9	8
PMMLPM5IFG	Reserved	SVSLIFG ⁽¹⁾	SVSHIFG ⁽¹⁾	Reserved	PMMPORIFG	PMMRSTIFG	PMMBORIFG
rw-[0]	r-0	rw-[0]	rw-[0]	r-0	rw-[0]	rw-[0]	rw-[0]
7	6	5	4	3	2	1	0
Reserved	SVMHVLRIFG ⁽¹⁾	SVMHIFG	SVSMHDLYIFG	Reserved	SVMLVLRIFG ⁽¹⁾	SVMLIFG	SVSMLDLYIFG
r-0	rw-[0]	rw-[0]	rw-0	r-0	rw-[0]	rw-[0]	rw-0

⁽¹⁾ After power up, the reset value depends on the power sequence.

⁽¹⁾ After power up, the reset value depends on the power sequence.

Table 2-21. PMMIFG Register Description

Bit	Field	Type	Reset	Description
15	PMMLPM5IFG	RW	0h	LPMx.5 flag. This bit is set if the system was in LPMx.5 before. The bit is cleared by software or by reading the reset vector word. A power failure on the DVCC domain clears the bit. 0b = No interrupt pending 1b = Interrupt pending
14	Reserved	R	0h	Reserved. Always reads as 0.
13	SVSLIFG	RW	0h	SVS low-side interrupt flag. The bit is cleared by software or by reading the reset vector word. 0b = No interrupt pending 1b = Interrupt pending
12	SVSHIFG	RW	0h	SVS high-side interrupt flag. The bit is cleared by software or by reading the reset vector word. 0b = No interrupt pending 1b = Interrupt pending
11	Reserved	R	0h	Reserved. Always reads as 0.
10	PMPORIFG	RW	0h	PMM software power-on reset interrupt flag. This interrupt flag is set if a software POR is triggered. The bit is cleared by software or by reading the reset vector word, SYSRSTIV. 0b = No interrupt pending 1b = Interrupt pending
9	PMMRSTIFG	RW	0h	PMM reset pin interrupt flag. This interrupt flag is set if the RST/NMI pin is the reset source. The bit is cleared by software or by reading the reset vector word. 0b = No interrupt pending 1b = Interrupt pending
8	PMMBORIFG	RW	0h	PMM software brownout reset interrupt flag. This interrupt flag is set if a software BOR (PMMSWBOR) is triggered. The bit is cleared by software or by reading the reset vector word, SYSRSTIV. 0b = No interrupt pending 1b = Interrupt pending
7	Reserved	R	0h	Reserved. Always reads as 0.
6	SVMHVLRIFG	RW	0h	SVM high-side voltage level reached interrupt flag. The bit is cleared by software or by reading the reset vector (SVSHPE = 1) word or by reading the interrupt vector (SVSHPE = 0) word. 0b = No interrupt pending 1b = Interrupt pending
5	SVMHIFG	RW	0h	SVM high-side interrupt flag. The bit is cleared by software. 0b = No interrupt pending 1b = Interrupt pending

Table 2-21. PMMIFG Register Description (continued)

Bit	Field	Type	Reset	Description
4	SVSMHDLYIFG	RW	0h	SVS and SVM high-side delay expired interrupt flag. This interrupt flag is set if the delay element expired. The bit is cleared by software or by reading the interrupt vector word. 0b = No interrupt pending 1b = Interrupt pending
3	Reserved	R	0h	Reserved. Always reads as 0.
2	SVMLVLRIFG	RW	0h	SVM low-side voltage level reached interrupt flag. The bit is cleared by software or by reading the reset vector (SVSLPE = 1) word or by reading the interrupt vector (SVSLPE = 0) word. 0b = No interrupt pending 1b = Interrupt pending
1	SVMLIFG	RW	0h	SVM low-side interrupt flag. The bit is cleared by software. 0b = No interrupt pending 1b = Interrupt pending
0	SVSMLDLYIFG	RW	0h	SVS and SVM low-side delay expired interrupt flag. This interrupt flag is set if the delay element expired. The bit is cleared by software or by reading the interrupt vector word. 0b = No interrupt pending 1b = Interrupt pending

2.3.7 PMMRIE Register

Power Management Module Reset and Interrupt Enable Register

Figure 2-15. PMMRIE Register

15	14	13	12	11	10	9	8
Reserved		SVMHVL RPE	SVSHPE	Reserved		SVMLVLRPE	SVSLPE
r-0	r-0	rw-[0]	rw-[1]	r-0	r-0	rw-[0]	rw-[1]
7	6	5	4	3	2	1	0
Reserved	SVMHVLRIE	SVMHIE	SVSMHDLYIE	Reserved	SVMLVLRIE	SVMLIE	SVSMLDLYIE
r-0	rw-0	rw-0	rw-0	r-0	rw-0	rw-0	rw-0

Table 2-22. PMMRIE Register Description

Bit	Field	Type	Reset	Description
15-14	Reserved	R	0h	Reserved. Always reads as 0.
13	SVMHVL RPE	RW	0h	SVM high-side voltage level reached power-on reset enable. If this bit is set, exceeding the SVMH voltage level triggers a POR.
12	SVSHPE	RW	1h	SVS high-side power-on reset enable. If this bit is set, falling below the SVSH voltage level triggers a POR.
11-10	Reserved	R	0h	Reserved. Always reads as 0.
9	SVMLVLRPE	RW	0h	SVM low-side voltage level reached power-on reset enable. If this bit is set, exceeding the SVML voltage level triggers a POR.
8	SVSLPE	RW	1h	SVS low-side power-on reset enable. If this bit is set, falling below the SVSL voltage level triggers a POR.
7	Reserved	R	0h	Reserved. Always reads as 0.
6	SVMHVLRIE	RW	0h	SVM high-side reset voltage level interrupt enable
5	SVMHIE	RW	0h	SVM high-side interrupt enable. This bit is cleared by software or if the interrupt vector word is read.
4	SVSMHDLYIE	RW	0h	SVS and SVM high-side delay expired interrupt enable
3	Reserved	R	0h	Reserved. Always reads as 0.
2	SVMLVLRIE	RW	0h	SVM low-side reset voltage level interrupt enable
1	SVMLIE	RW	0h	SVM low-side interrupt enable. This bit is cleared by software or if the interrupt vector word is read.
0	SVSMLDLYIE	RW	0h	SVS and SVM low-side delay expired interrupt enable

2.3.8 PM5CTL0 Register

Power Mode 5 Control Register 0

Figure 2-16. PM5CTL0 Register

15	14	13	12	11	10	9	8
Reserved							
r0	r0	r0	r0	r0	r0	r0	r0
7	6	5	4	3	2	1	0
Reserved							LOCKLPM5
r0	r0	r0	r0	r0	r0	r0	rw-[0]

Table 2-23. PM5CTL0 Register Description

Bit	Field	Type	Reset	Description
15-1	Reserved	R	0h	Reserved. Always reads as 0.
0	LOCKLPM5	RW	0h	Lock I/O pin configuration upon entry to or exit from LPMx.5. When power is applied to the device, this bit, once set, can only be cleared by the user or via another power cycle. 0b = I/O pin configuration is not locked and defaults to its reset condition. 1b = I/O pin configuration remains locked. Pin state is held during LPMx.5 entry and exit.



Unified Clock System (UCS)

The Unified Clock System (UCS) module provides the various clocks for a device. This chapter describes the operation of the UCS module, which is implemented in all devices.

Topic	Page
3.1 Unified Clock System (UCS) Introduction	107
3.2 UCS Operation	109
3.3 Module Oscillator (MODOSC)	119
3.4 UCS Module Registers	120

3.1 Unified Clock System (UCS) Introduction

The UCS module supports low system cost and ultralow power consumption. Using three internal clock signals, the user can select the best balance of performance and low power consumption. The UCS module can be configured to operate without any external components, with one or two external crystals, or with resonators, under full software control.

The UCS module includes up to five clock sources:

- XT1CLK: Low-frequency oscillator that can be used with low-frequency 32768-Hz watch crystals
- VLOCLK: Internal very low power, low frequency oscillator with 10 kHz typical frequency
- REFOCLK: Internal, trimmed, low-frequency oscillator with 32768 Hz typical frequency, with the ability to be used as a clock reference into the FLL
- DCOCLK: Internal digitally-controlled oscillator (DCO) that can be stabilized by the FLL
- XT2CLK: RF XT2 oscillator required for radio functionality

Three clock signals are available from the UCS module:

- ACLK: Auxiliary clock. The ACLK is software selectable as XT1CLK, REFOCLK, VLOCLK, DCOCLK, DCOCLKDIV, and when available, XT2CLK. DCOCLKDIV is the DCOCLK frequency divided by 1, 2, 4, 8, 16, or 32 within the FLL block. ACLK can be divided by 1, 2, 4, 8, 16, or 32. ACLK/n is ACLK divided by 1, 2, 4, 8, 16, or 32 and is available externally at a pin. ACLK is software selectable by individual peripheral modules.
- MCLK: Master clock. MCLK is software selectable as XT1CLK, REFOCLK, VLOCLK, DCOCLK, DCOCLKDIV, and XT2CLK. DCOCLKDIV is the DCOCLK frequency divided by 1, 2, 4, 8, 16, or 32 within the FLL block. MCLK can be divided by 1, 2, 4, 8, 16, or 32. MCLK is used by the CPU and system.
- SMCLK: Subsystem master clock. SMCLK is software selectable as XT1CLK, REFOCLK, VLOCLK, DCOCLK, DCOCLKDIV, and XT2CLK. DCOCLKDIV is the DCOCLK frequency divided by 1, 2, 4, 8, 16, or 32 within the FLL block. SMCLK can be divided by 1, 2, 4, 8, 16, or 32. SMCLK is software selectable by individual peripheral modules.

The block diagram of the UCS module is shown in [Figure 3-1](#).

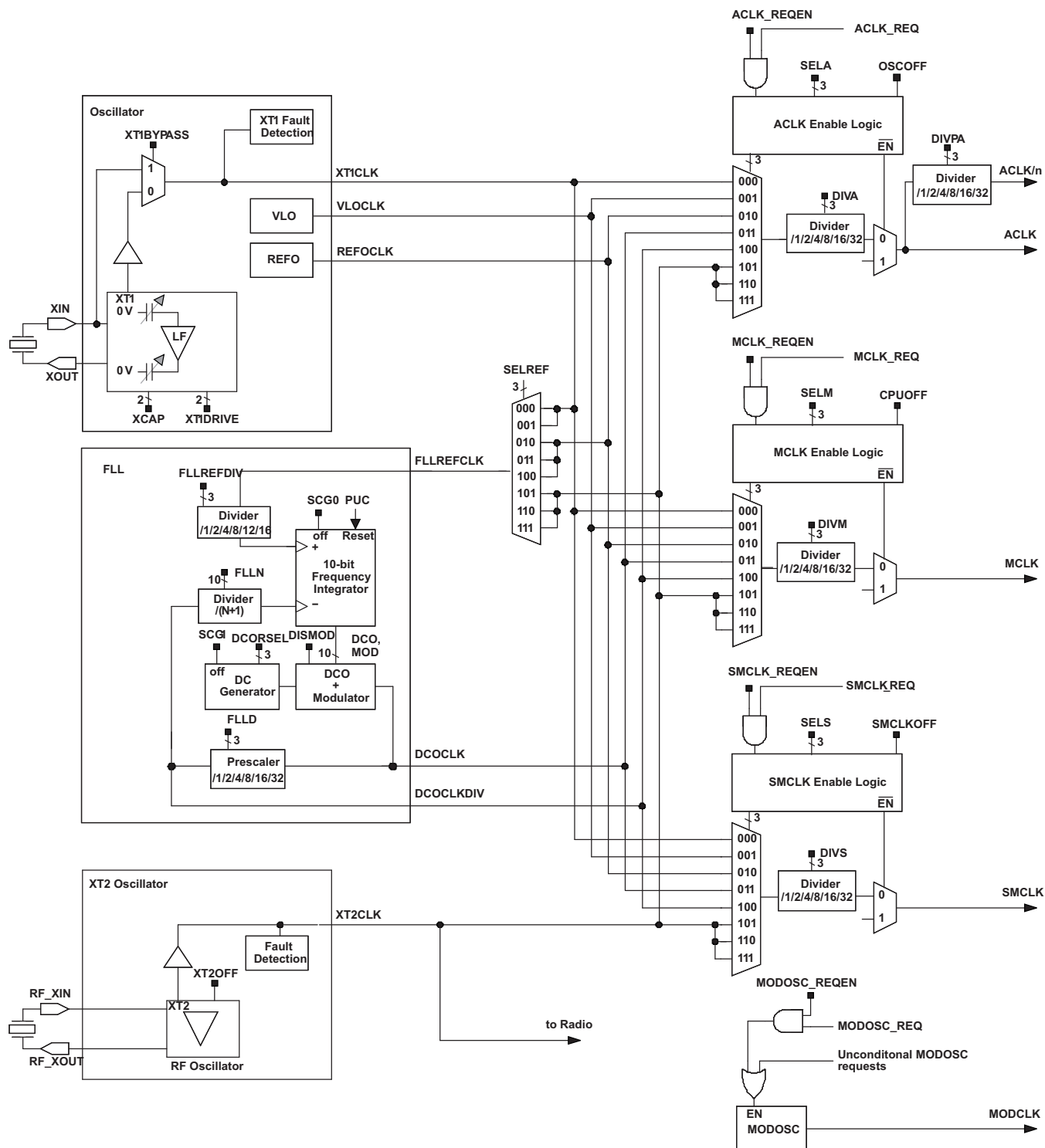


Figure 3-1. UCS Block Diagram

3.2 UCS Operation

After a PUC, the UCS module default configuration is:

- XT1 is selected as the oscillator source for XT1CLK. XT1CLK is selected for ACLK.
- DCOCLKDIV is selected for MCLK.
- DCOCLKDIV is selected for SMCLK.
- FLL operation is enabled and XT1CLK is selected as the FLL reference clock, FLLREFCLK.
- XIN and XOUT pins are set to general-purpose I/Os and XT1 remains disabled until the I/O ports are configured for XT1 operation.
- RF oscillator sourcing XT2CLK disabled.

As previously stated, FLL operation with XT1 is selected by default, but XT1 is disabled. The crystal pins (XIN, XOUT) are shared with general-purpose I/Os. To enable XT1, the PSEL bits associated with the crystal pins must be set. When a 32,768 Hz crystal is used for XT1CLK, the fault control logic immediately causes ACLK to be sourced by the REFOCLK, because XT1 is not stable immediately (see [Section 3.2.12](#)). Once crystal startup is obtained and settled, the FLL stabilizes MCLK and SMCLK to 1.048576 MHz and $f_{\text{DCO}} = 2.097152$ MHz.

Status register control bits (SCG0, SCG1, OSCOFF, and CPUOFF) configure the MSP430 operating modes and enable or disable portions of the UCS module (see the [SYS chapter](#)). Registers UCSCTL0 through UCSCTL8, configure the UCS module.

The UCS module can be configured or reconfigured by software at any time during program execution.

NOTE: For devices using RTC_B, RTC_C, or RTC_D (RTC modules supporting LPM3.5) setting bit RTCHOLD = 0 in register RTCCTL1 also enables XT1, independent from UCS configuration.

3.2.1 UCS Module Features for Low-Power Applications

Conflicting requirements typically exist in battery-powered applications:

- Low clock frequency for energy conservation and time keeping
- High clock frequency for fast response times and fast burst processing capabilities
- Clock stability over operating temperature and supply voltage
- Low-cost applications with less-constrained clock accuracy requirements

The UCS module addresses these conflicting requirements by allowing the user to select from the three available clock signals: ACLK, MCLK, and SMCLK.

All three available clock signals can be sourced via any of the available clock sources (XT1CLK, VLOCLK, REFOCLK, DCOCLK, DCOCLKDIV, or XT2CLK), giving complete flexibility in the system clock configuration. A flexible clock distribution and divider system is provided to fine tune the individual clock requirements.

3.2.2 Internal Very-Low-Power Low-Frequency Oscillator (VLO)

The internal VLO provides a typical frequency of 10 kHz (see device-specific data sheet for parameters) without requiring a crystal. The VLO provides for a low-cost ultralow-power clock source for applications that do not require an accurate time base.

The VLO is enabled when it is used to source ACLK, MCLK, or SMCLK (SELA = {1} or SELM = {1} or SELS = {1}).

3.2.3 Internal Trimmed Low-Frequency Reference Oscillator (REFO)

The internal trimmed low-frequency REFO can be used for cost-sensitive applications where a crystal is not required or desired. REFO is internally trimmed to 32.768 kHz typical and provides for a stable reference frequency that can be used as FLLREFCLK. REFO, combined with the FLL, provides for a flexible range of system clock settings without the need for a crystal. REFO consumes no power when not being used.

REFO is enabled under any of the following conditions:

- REFO is a source for ACLK (SELA = {2}) and in active mode (AM) through LPM3 (OSCOFF = 0)
- REFO is a source for MCLK (SELM = {2}) and in active mode (AM) (CPUOFF = 0)
- REFO is a source for SMCLK (SELS = {2}) and in active mode (AM) through LPM1 (SMCLKOFF = 0)
- REFO is a source for FLLREFCLK (SELREF = {2}) and the DCO is a source for ACLK (SELA = {3,4}) and in active mode (AM) through LPM3 (OSCOFF = 0)
- REFO is a source for FLLREFCLK (SELREF = {2}) and the DCO is a source for MCLK (SELM = {3,4}) and in active mode (AM) (CPUOFF = 0)
- REFO is a source for FLLREFCLK (SELREF = {2}) and the DCO is a source for SMCLK (SELS = {3,4}) and in active mode (AM) through LPM1 (SMCLKOFF = 0)

3.2.4 XT1 Oscillator

The XT1 oscillator supports ultralow-current consumption using a 32,768 Hz watch crystal. A watch crystal connects to XIN and XOUT without any other external components. The software-selectable XCAP bits configure the internally provided load capacitance for the XT1 crystal in LF mode. This capacitance can be selected as 2 pF, 6 pF, 9 pF, or 12 pF (typical). Additional external capacitors can be added if necessary.

The drive settings of XT1 can be increased with the XT1DRIVE bits. At power up, the XT1 starts with the highest drive settings for fast, reliable startup. If needed, user software can reduce the drive strength to further reduce power.

XT1 may be used with an external clock signal on the XIN pin in either LF or HF mode by setting XT1BYPASS. When used with an external signal, the external frequency must meet the data sheet parameters for the chosen mode. XT1 is powered down when used in bypass mode.

Some devices support XT1 bypass operation with external clock inputs that reside on a different external supply domain, called DV_{IO} . Please refer to the device specific datasheet. On these devices, DV_{IO} has a voltage range of $1.8V \pm 10\%$. When using the XT1 bypass operation with external clock inputs that reside on DV_{IO} , it is required that XT1BYPASSLV = 1. For example, when XT1BYPASSLV = 1, it is assumed the external clock signal swings from 0V to DV_{IO} . With XT1BYPASS = 0, it is assumed the external clock signal swings from 0V to DV_{CC} . The usage of XT1BYPASSLV allows for interfacing to external clock sources that reside on either the DV_{CC} or DV_{IO} supply domains. When used with an external signal, the external frequency must meet the data sheet parameters for the chosen mode. XT1 is powered down when used in bypass mode.

The XT1 pins are shared with general-purpose I/O ports. At power up, the default operation is XT1. However, XT1 remains disabled until the ports shared with XT1 are configured for XT1 operation. The configuration of the shared I/O is determined by the PSEL bit associated with XIN and the XT1BYPASS bit. Setting the PSEL bit causes the XIN and XOUT ports to be configured for XT1 operation. If XT1BYPASS is also set, XT1 is configured for bypass mode of operation, and the oscillator associated with XT1 is powered down. In bypass mode of operation, XIN can accept an external clock input signal and XOUT is configured as a general-purpose I/O. The PSEL bit associated with XOUT is a don't care.

If the PSEL bit associated with XIN is cleared, both XIN and XOUT ports are configured as general-purpose I/Os, and XT1 is disabled.

XT1 is enabled under any of the following conditions:

- XT1 is a source for ACLK (SELA = {0}) and in active mode (AM) through LPM3 (OSCOFF = 0)
- XT1 is a source for MCLK (SELM = {0}) and in active mode (AM) (CPUOFF = 0)
- XT1 is a source for SMCLK (SELS = {0}) and in active mode (AM) through LPM1 (SMCLKOFF = 0)
- XT1 is a source for FLLREFCLK (SELREF = {0}) and the DCO is a source for ACLK (SELA = {3,4}) and in active mode (AM) through LPM3 (OSCOFF = 0)

- XT1 is a source for FLLREFCLK (SELREF = {0}) and the DCO is a source for MCLK (SELM = {3,4}) and in active mode (AM) (CPUOFF = 0)
- XT1 is a source for FLLREFCLK (SELREF = {0}) and the DCO is a source for SMCLK (SELS = {3,4}) and in active mode (AM) through LPM1 (SMCLKOFF = 0)
- XT1OFF = 0. XT1 enabled in active mode (AM) through LPM4. For devices that support LPMx.5, XT1 also remains enabled.

3.2.5 RF XT2 Oscillator

The RF XT2 oscillator's main purpose is to provide a reference clock to the on-chip radio module. But it also sources XT2CLK and XT2CLK can be used to source ACLK, MCLK, SMCLK or FLLREFCLK.

The RF oscillator is enabled if it is used by the radio; that is, if the radio module is not in its sleep state. With XT2OFF = 0 the RF oscillator is permanently enabled even when the radio is in sleep mode. With XT2OFF = 1 the RF oscillator is disabled when the radio enters sleep mode. When the RF oscillator is disabled the corresponding fault flag XT2OFFG is set and if the RF oscillator is selected to source ACLK, MCLK, SMCLK or FLLREFCLK the corresponding fail-safe mechanism takes over.

3.2.6 Digitally-Controlled Oscillator (DCO)

The DCO is an integrated digitally controlled oscillator. The DCO frequency can be adjusted by software using the DCORSEL, DCO, and MOD bits. The DCO frequency can be optionally stabilized by the FLL to a multiple frequency of FLLREFCLK/n. The FLL can accept different reference sources selectable via the SELREF bits. Reference sources include XT1CLK, REFOCLK, or XT2CLK. The value of n is defined by the FLLREFDIV bits (n = 1, 2, 4, 8, 12, or 16). The default is n = 1. There may be scenarios in which FLL operation is not required or desired; in these cases, no FLLREFCLK is necessary. This can be accomplished by setting SELREF = {7}.

The FLLD bits configure the FLL prescaler divider value D to 1, 2, 4, 8, 16, or 32. By default, D = 2, and MCLK and SMCLK are sourced from DCOCLKDIV, providing a clock frequency DCOCLK/2.

The divider (N + 1) and the divider value D define the DCOCLK and DCOCLKDIV frequencies, where N > 0. Writing N = 0 causes the divider to be set to 2.

$$f_{\text{DCOCLK}} = D \times (N + 1) \times (f_{\text{FLLREFCLK}} \div n)$$

$$f_{\text{DCOCLKDIV}} = (N + 1) \times (f_{\text{FLLREFCLK}} \div n)$$

Adjusting DCO Frequency

By default, FLL operation is enabled. FLL operation can be disabled by setting SCG0 or SCG1. Once disabled, the DCO continues to operate at the current settings defined in UCSCTL0 and UCSCTL1. The DCO frequency can be adjusted manually if desired. Otherwise, the DCO frequency is stabilized by the FLL operation.

After a PUC, DCORSEL = {2} and DCO = {0}. MCLK and SMCLK are sourced from DCOCLKDIV. Because the CPU executes code from MCLK, which is sourced from the fast-starting DCO, code execution begins from PUC in less than 5 μ s.

The frequency of DCOCLK is set by the following functions:

- The three DCORSEL bits select one of eight nominal frequency ranges for the DCO. These ranges are defined for an individual device in the device-specific data sheet.
- The five DCO bits divide the DCO range selected by the DCORSEL bits into 32 frequency steps, separated by approximately 8%.
- The five MOD bits switch between the frequency selected by the DCO bits and the next-higher frequency set by {DCO + 1}. When DCO = {31}, the MOD bits have no effect, because the DCO is already at the highest setting for the selected DCORSEL range.

3.2.7 Frequency Locked Loop (FLL)

The FLL continuously counts up or down a frequency integrator. The output of the frequency integrator that drives the DCO can be read in UCSCTL0, UCSCTL1 (bits MOD and DCO). The count is adjusted +1 with the frequency $f_{\text{FLLREFCLK}}/n$ (n = 1, 2, 4, 8, 12, or 16) or -1 with the frequency $f_{\text{DCOCLK}}/[D \times (N+1)]$.

NOTE: Reading MOD and DCO bits

The integrator is updated via the DCOCLK, which may differ in frequency of operation of MCLK. It is possible that immediate reads of a previously written value are not visible to the user since the update to the integrator has not occurred. This is normal. Once the integrator is updated at the next successive DCOCLK, the correct value can be read.

In addition, since the MCLK can be asynchronous to the integrator updates, reading the values may cause a corrupted value to be read under this condition. In this case, a majority vote method should be performed.

Five of the integrator bits (UCSCTL0 bits 12 to 8) set the DCO frequency tap. Thirty-two taps are implemented for the DCO, and each is approximately 8% higher than the previous. The modulator mixes two adjacent DCO frequencies to produce fractional taps.

For a given DCO bias range setting, time must be allowed for the DCO to settle on the proper tap for normal operation. $(n \times 32) f_{\text{FLLREFCLK}}$ cycles are required between taps requiring a worst case of $(n \times 32 \times 32) f_{\text{FLLREFCLK}}$ cycles for the DCO to settle. The value n is defined by the FLLREFDIV bits ($n = 1, 2, 4, 8, 12, \text{ or } 16$).

3.2.8 DCO Modulator

The modulator mixes two DCO frequencies, f_{DCO} and $f_{\text{DCO}+1}$ to produce an intermediate effective frequency between f_{DCO} and $f_{\text{DCO}+1}$ and spread the clock energy, reducing electromagnetic interference (EMI). The modulator mixes f_{DCO} and $f_{\text{DCO}+1}$ for 32 DCOCLK clock cycles and is configured with the MOD bits. When $\text{MOD} = \{0\}$, the modulator is off.

The modulator mixing formula is:

$$t = (32 - \text{MOD}) \times t_{\text{DCO}} + \text{MOD} \times t_{\text{DCO}+1}$$

Figure 3-2 shows the modulator operation.

When FLL operation is enabled, the modulator settings and DCO are controlled by the FLL hardware. If FLL operation is not desired, the modulator settings and DCO control can be configured with software.

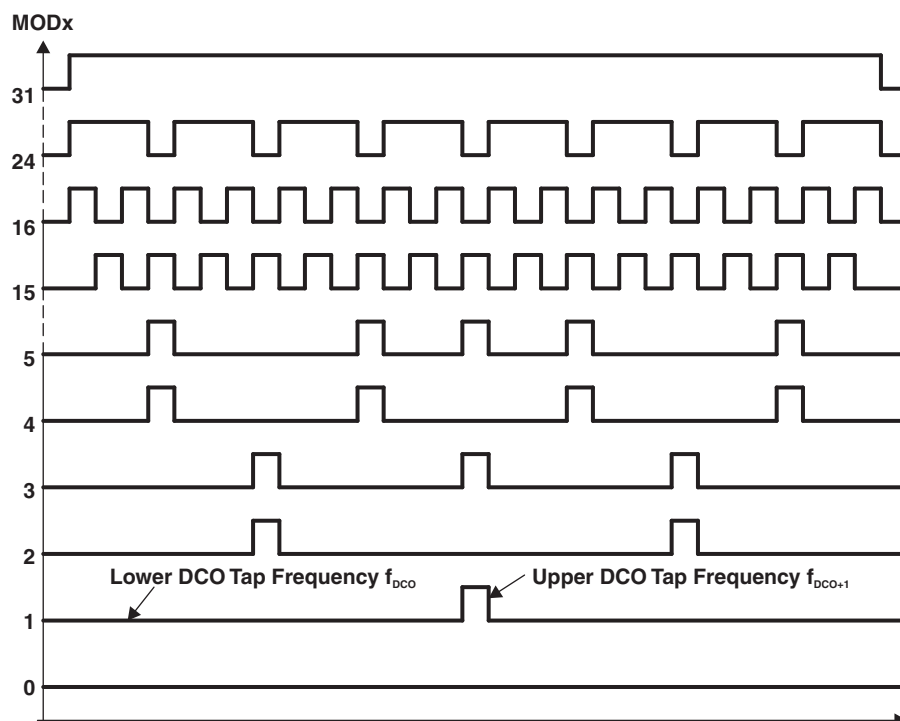


Figure 3-2. Modulator Patterns

3.2.9 Disabling FLL Hardware and Modulator

The FLL is disabled when the status register bits SCG0 or SCG1 are set. When the FLL is disabled, the DCO runs at the previously selected tap and DCOCLK is not automatically stabilized.

The DCO modulator is disabled when DISMOD is set. When the DCO modulator is disabled, the DCOCLK is adjusted to the DCO tap selected by the DCO bits.

NOTE: DCO operation without FLL

When the FLL operation is disabled, the DCO continues to operate at the current settings. Because it is not stabilized by the FLL, temperature and voltage variations influence the frequency of operation. See the device-specific data sheet for voltage and temperature coefficients to ensure reliable operation.

3.2.10 FLL Operation From Low-Power Modes

An interrupt service request clears SCG1, CPUOFF, and OSCOFF if set, but does not clear SCG0. This means that for FLL operation from within an interrupt service routine entered from LPM1, 3, or 4, the FLL remains disabled and the DCO operates at the previous setting as defined in UCSCTL0 and UCSCTL1. SCG0 can be cleared by user software if FLL operation is required.

3.2.11 Operation From Low-Power Modes, Requested by Peripheral Modules

A peripheral module requests its clock sources automatically from the UCS module if required for its proper operation, regardless of the current mode of operation, as shown in [Figure 3-3](#).

A peripheral module asserts one of three possible clock request signals based on its control bits: ACLK_REQ, MCLK_REQ, or SMCLK_REQ. These request signals are based on the configuration and clock selection of the respective module. For example, if a timer selects ACLK as its clock source and the timer is enabled, the timer generates an ACLK_REQ signal to the UCS system. The UCS, in turn, enables ACLK regardless of the LPM settings.

Any clock request from a peripheral module causes its respective clock off signal to be overridden, but does not change the setting of clock off control bit. For example, a peripheral module may require ACLK that is currently disabled by the OSCOFF bit (OSCOFF = 1). The module can request ACLK by generating an ACLK_REQ. This causes the OSCOFF bit to have no effect, thereby allowing ACLK to be available to the requesting peripheral module. The OSCOFF bit remains at its current setting (OSCOFF = 1).

If the requested source is not active, the software NMI handler must take care of the required actions. For the previous example, if ACLK was sourced by XT1 and XT1 was not enabled, an oscillator fault condition occurs and the software must handle the event. The watchdog, due to its security requirement, actively selects the VLOCLK source if the originally selected clock source is not available.

Due to the clock request feature, care must be taken in the application when entering low-power modes to save power. Although the device enters the selected low-power mode, a clock request may exhibit more current consumption than the specified values in the data sheet.

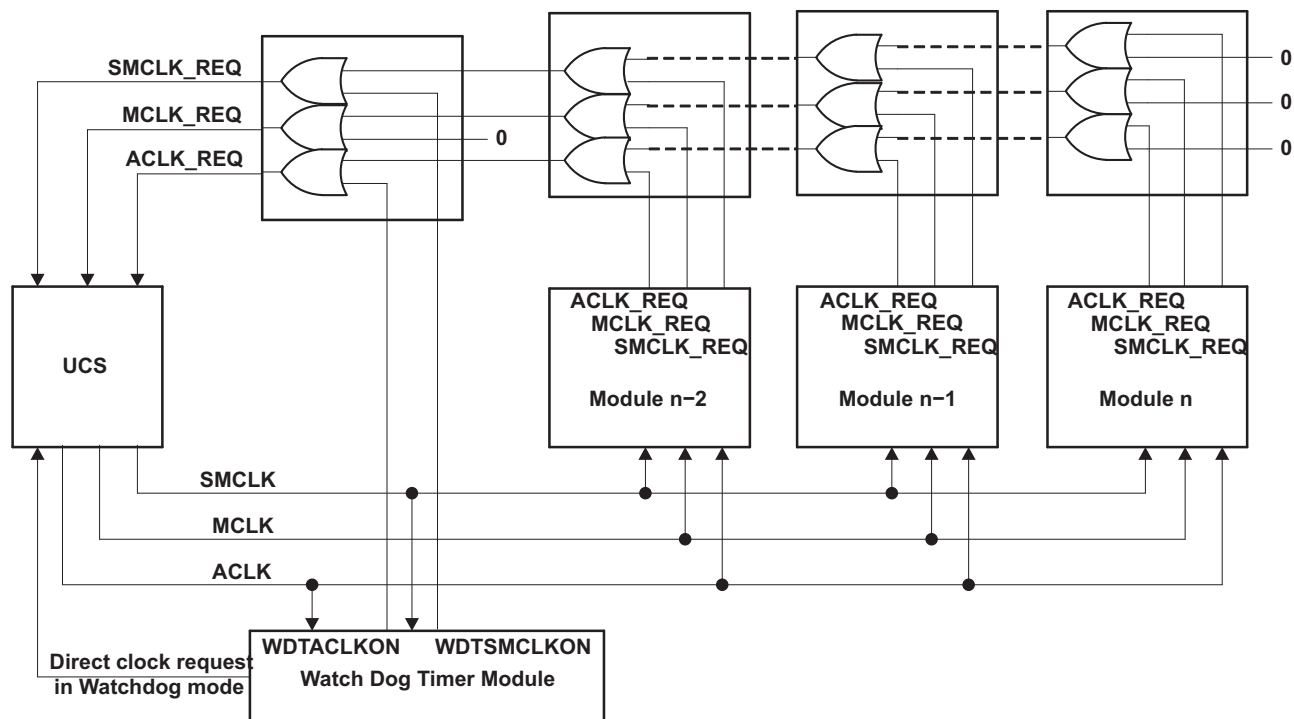


Figure 3-3. Module Request Clock System

By default, the clock request logic is enabled. The clock request logic can be disabled by clearing ACLKREQEN, MCLKREQEN, or SMCLKREQEN, for each respective system clock. When ACLKREQEN or MCLKREQEN bits are set, or active, the clock is available to the system and prevents entry into a low-power mode until all modules requesting the clock are disabled. When ACLKREQEN or MCLKREQEN bits are cleared, or disabled, the clock is always halted as defined by the low-power modes. The SMCLKREQEN logic behaves similarly, but is also influenced by the SMCLKOFF bit in the UCSCTL6 register. [Table 3-1](#) shows the relationship between the system clocks and the low-power modes in conjunction with the clock request logic.

Table 3-1. Clock Request System and Power Modes

Mode	ACLK		MCLK		SMCLK			
	ACLKREQEN = 0	ACLKREQEN = 1	MCLKREQEN = 0	MCLKREQEN = 1	SMCLKOFF = 0		SMCLKOFF = 1	
					SMCLKREQEN = 0	SMCLKREQEN = 1	SMCLKREQEN = 0	SMCLKREQEN = 1
AM	Active	Active	Active	Active	Active	Active	Disabled	Active
LPM0	Active	Active	Disabled	Active	Active	Active	Disabled	Active
LPM1	Active	Active	Disabled	Active	Active	Active	Disabled	Active
LPM2	Active	Active	Disabled	Active	Disabled	Active	Disabled	Active
LPM3	Active	Active	Disabled	Active	Disabled	Active	Disabled	Active
LPM4	Disabled	Active	Disabled	Active	Disabled	Active	Disabled	Active
LPM3.5 (1)	Disabled ⁽²⁾	Disabled ⁽³⁾	Disabled	Disabled	Disabled	Disabled	Disabled	Disabled
LPM4.5 (1)	Disabled ⁽²⁾	Disabled ⁽³⁾	Disabled	Disabled	Disabled	Disabled	Disabled	Disabled

(1) Any clock request prior to entry into LPM3.5 or LPM4.5 is ignored and LPM3.5 or LPM4.5 entry occurs. For the special case when XT1OFF = 0 or XT2OFF = 0, the LPMx.5 request is ignored and the device does not enter LPMx.5.

(2) Watchdog mode requesting ACLK prevents LPMx.5 entry.

(3) Any module requesting ACLK prevents LPMx.5 entry.

3.2.11.1 LPM3.5 and LPM4.5 Clock Request Handling

While ACLK is requested by at least one module (ACLKREQEN = 1), LPMx.5 cannot be entered. After clearing the ACLK request enable signal (ACLKREQEN = 0), the device is able to enter LPMx.5 (except for watchdog mode—see following note). See [Entering and Exiting Low-Power Modes LPMx.5](#) for details on how to enter LPMx.5.

NOTE: Watchdog Mode Using ACLK

When a device is configured to use watchdog mode (WDTTMSSEL = 0) and is sourced by ACLK (WDTSSSEL = 01b), the device cannot enter LPMx.5 regardless of whether or not the ACLK request enable signal (ACLKREQEN) is cleared.

3.2.12 UCS Module Fail-Safe Operation

The UCS module incorporates an oscillator-fault fail-safe feature. This feature detects an oscillator fault for XT1, DCO, and XT2 as shown in [Figure 3-4](#). The available fault conditions are:

- Low-frequency oscillator fault (XT1LFOFFG) for XT1 in LF mode
- High-frequency oscillator fault (XT1HFOFFG) for XT1 in HF mode
- High-frequency oscillator fault (XT2OFFG) for XT2
- DCO fault flag (DCOFFG) for the DCO

The crystal oscillator fault bits XT1LFOFFG, XT1HFOFFG, and XT2OFFG are set if the corresponding crystal oscillator is turned on and not operating properly. Once set, the fault bits remain set until reset in software, regardless if the fault condition no longer exists. If the user clears the fault bits and the fault condition still exists, the fault bits are automatically set, otherwise they remain cleared.

When using XT1 operation in LF mode as the reference source into the FLL (SELREF = {0}), a crystal fault automatically causes the FLL reference source, FLLREFCLK, to be sourced by the REFO. XT1LFOFFG is set. When using XT1 operation in HF mode as the reference source into the FLL, a crystal fault causes no FLLREFCLK signal to be generated and the FLL continues to count down to zero in an attempt to lock FLLREFCLK and DCOCLK/[D × (N + 1)]. The DCO tap moves to the lowest position (DCO are cleared) and the DCOFFG is set. DCOFFG is also set if the N-multiplier value is set too high for the selected DCO frequency range, resulting in the DCO tap moving to the highest position (UCSCTL0.12 to UCSCTL0.8 are set). The DCOFFG remains set until cleared by the user. If the user clears the DCOFFG and the fault condition remains, it is automatically set, otherwise it remains cleared. XT1HFOFFG is set.

When using XT2 as the reference source into the FLL, a crystal fault causes no FLLREFCLK signal to be generated, and the FLL continues to count down to zero in an attempt to lock FLLREFCLK and DCOCLK/[D × (N + 1)]. The DCO tap moves to the lowest position (DCO are cleared) and the DCOFFG is set. DCOFFG is also set if the N-multiplier value is set too high for the selected DCO frequency range, resulting in the DCO tap moving to the highest position (UCSCTL0.12 to UCSCTL0.8 are set). The DCOFFG remains set until cleared by the user. If the user clears the DCOFFG and the fault condition remains, it is automatically set, otherwise it remains cleared. XT2OFFG is set.

The OFIFG oscillator-fault interrupt flag is set and latched at POR or when any oscillator fault (XT1LFOFFG, XT1HFOFFG, XT2OFFG, or DCOFFG) is detected. When OFIFG is set and OFIE is set, the OFIFG requests an NMI. When the interrupt is granted, the OFIE is not reset automatically as it is in previous MSP430 families. It is no longer required to reset the OFIE. NMI entry and exit circuitry removes this requirement. The OFIFG flag must be cleared by software. The source of the fault can be identified by checking the individual fault bits.

If a fault is detected for the oscillator sourcing MCLK, MCLK is automatically switched to the DCO for its clock source (DCOCLKDIV) for all clock sources except XT1 LF mode. If MCLK is sourced from XT1 in LF mode, an oscillator fault causes MCLK to be automatically switched to the REFO for its clock source (REFOCLK). This does not change the SELM bit settings. This condition must be handled by user software.

If a fault is detected for the oscillator sourcing SMCLK, SMCLK is automatically switched to the DCO for its clock source (DCOCLKDIV) for all clock sources except XT1 LF mode. If SMCLK is sourced from XT1 in LF mode, an oscillator fault causes SMCLK to be automatically switched to the REFO for its clock source (REFOCLK). This does not change the SELS bit settings. This condition must be handled by user software.

If a fault is detected for the oscillator sourcing ACLK, ACLK is automatically switched to the DCO for its clock source (DCOCLKDIV) for all clock sources except XT1 LF mode. If ACLK is sourced from XT1 in LF mode, an oscillator fault causes ACLK to be automatically switched to the REFO for its clock source (REFOCLK). This does not change the SELA bit settings. This condition must be handled by user software.

NOTE: DCO active during oscillator fault

DCOCLKDIV is active even at the lowest DCO tap. The clock signal is available for the CPU to execute code and service an NMI during an oscillator fault.

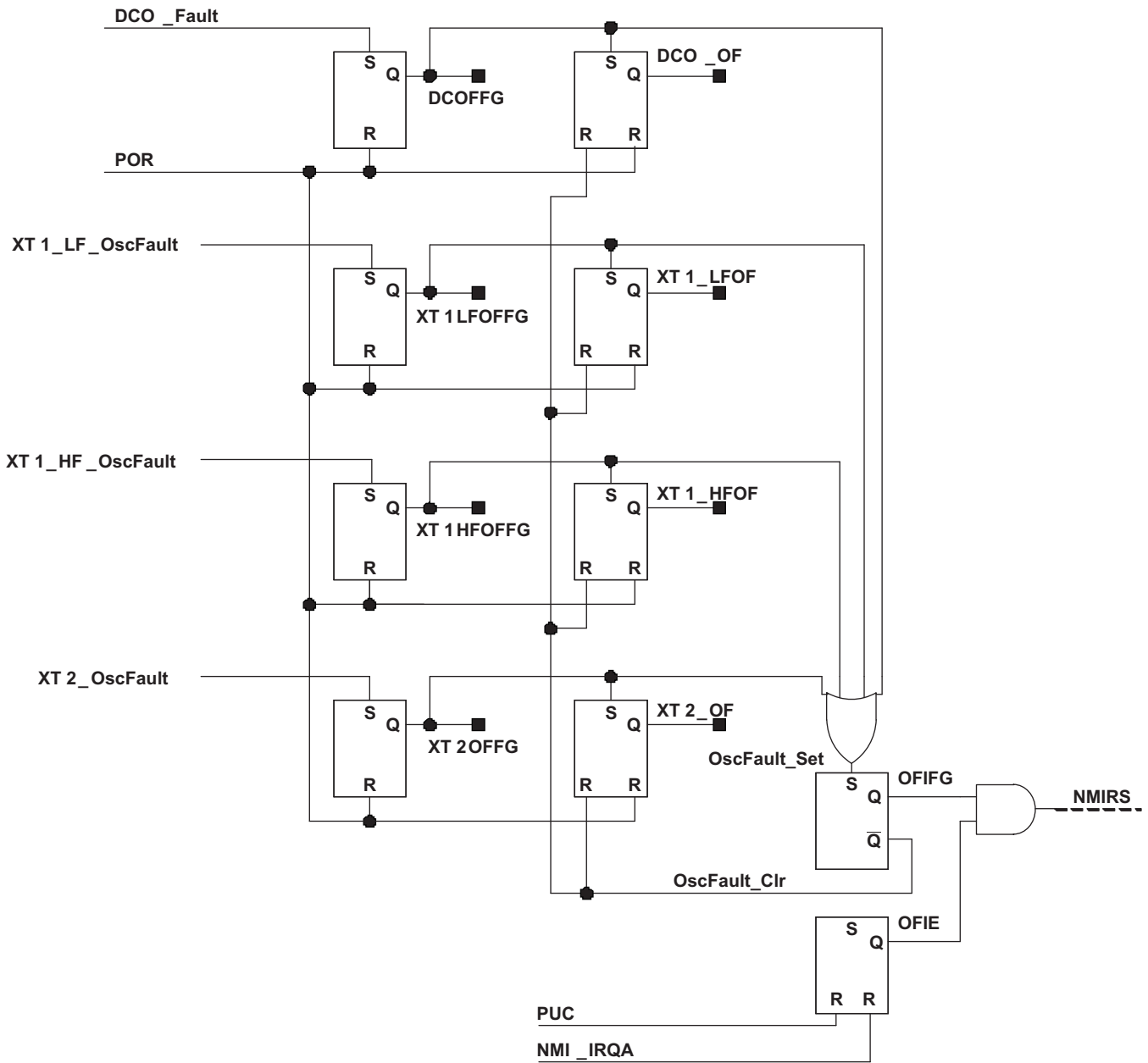


Figure 3-4. Oscillator Fault Logic

NOTE: Fault conditions

DCO_Fault: DCOFFG is set if DCO bits in UCSCCTL0 register value equals {0} or {31}.

XT1_LF_OscFault: This signal is set after the XT1 (LF mode) oscillator has stopped operation and cleared after operation resumes. The fault condition causes XT1LFOFFG to be set and remain set. If the user clears XT1LFOFFG and the fault condition still exists, XT1LFOFFG remains set.

XT1_HF_OscFault: This signal is set after the XT1 (HF mode) oscillator has stopped operation and cleared after operation resumes. The fault condition causes XT1HFOFFG to be set and remain set. If the user clears XT1HFOFFG and the fault condition still exists, XT1HFOFFG remains set.

XT2_OscFault: This signal is set after the XT2 oscillator has stopped operation and cleared after operation resumes. The fault condition causes XT2OFFG to be set and remain set. If the user clears XT2OFFG and the fault condition still exists, XT2OFFG remains set.

NOTE: Fault logic

Please note that as long as a fault condition still exists, the OFIFG remains set. The application must take special care when clearing the OFIFG signal. If no fault condition remains when the OFIFG signal is cleared, the clock logic switches back to the original user settings prior to the fault condition.

NOTE: Fault logic counters

Each crystal oscillator circuit has hardware counters. These counters are reset each time a fault condition occurs on its respective oscillator, causing the fault flag to be set. The counters begin to count after the fault condition is removed. Once the maximum count is reached, the fault flag is removed.

In XT1 LF mode, the maximum count is 8192. In XT1 HF mode (and XT2 when available), the maximum count is 1024. In bypass modes, regardless of LF or HF settings, the maximum count is 8192.

3.2.13 Synchronization of Clock Signals

When switching MCLK or SMCLK from one clock source to the another, the switch is synchronized to avoid critical race conditions as shown in [Figure 3-5](#):

- The current clock cycle continues until the next rising edge.
- The clock remains high until the next rising edge of the new clock.
- The new clock source is selected and continues with a full high period.

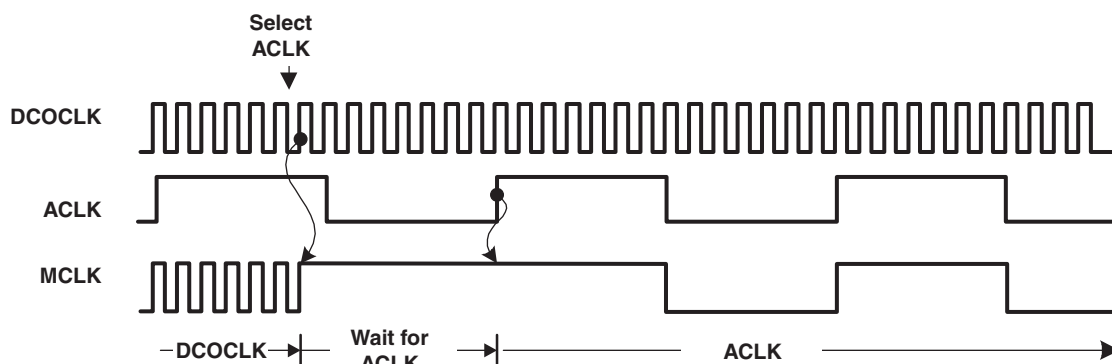


Figure 3-5. Switch MCLK from DCOCLK to XT1CLK

3.3 Module Oscillator (MODOSC)

The UCS module also supports an internal oscillator, MODOSC, that is used by the flash memory controller module and, optionally, by other modules in the system. The MODOSC sources MODCLK.

3.3.1 MODOSC Operation

To conserve power, MODOSC is powered down when not needed and enabled only when required. When the MODOSC source is required, the respective module requests it. MODOSC is enabled based on unconditional and conditional requests. Setting MODOSCREQEN enables conditional requests. Unconditional requests are always enabled. It is not necessary to set MODOSCREQEN for modules that use unconditional requests; for example, flash controller or ADC12_A.

The flash memory controller only requires MODCLK when performing write or erase operations. When performing such operations, the flash memory controller issues an unconditional request for the MODOSC source. Upon doing so, the MODOSC source is enabled, if not already enabled from other modules' previous requests.

The ADC12_A may optionally use MODOSC as a clock source for its conversion clock. The user chooses the ADC12OSC as the conversion clock source. During a conversion, the ADC12_A module issues an unconditional request for the ADC12OSC clock source. Upon doing so, the MODOSC source is enabled, if not already enabled from other modules' previous requests.

3.4 UCS Module Registers

The UCS module registers are listed in [Table 3-2](#). The base address can be found in the device-specific data sheet. The address offset is listed in [Table 3-2](#).

NOTE: All registers have word or byte register access. For a generic register *ANYREG*, the suffix "_L" (*ANYREG_L*) refers to the lower byte of the register (bits 0 through 7). The suffix "_H" (*ANYREG_H*) refers to the upper byte of the register (bits 8 through 15).

Table 3-2. UCS Registers

Offset	Acronym	Register Name	Type	Access	Reset	Section
00h	UCSCTL0	Unified Clock System Control 0	Read/write	Word	0000h	Section 3.4.1
00h	UCSCTL0_L		Read/write	Byte	00h	
01h	UCSCTL0_H		Read/write	Byte	00h	
02h	UCSCTL1	Unified Clock System Control 1	Read/write	Word	0020h	Section 3.4.2
02h	UCSCTL1_L		Read/write	Byte	20h	
03h	UCSCTL1_H		Read/write	Byte	00h	
04h	UCSCTL2	Unified Clock System Control 2	Read/write	Word	101Fh	Section 3.4.3
04h	UCSCTL2_L		Read/write	Byte	1Fh	
05h	UCSCTL2_H		Read/write	Byte	10h	
06h	UCSCTL3	Unified Clock System Control 3	Read/write	Word	0000h	Section 3.4.4
06h	UCSCTL3_L		Read/write	Byte	00h	
07h	UCSCTL3_H		Read/write	Byte	00h	
08h	UCSCTL4	Unified Clock System Control 4	Read/write	Word	0044h	Section 3.4.5
08h	UCSCTL4_L		Read/write	Byte	44h	
09h	UCSCTL4_H		Read/write	Byte	00h	
0Ah	UCSCTL5	Unified Clock System Control 5	Read/write	Word	0000h	Section 3.4.6
0Ah	UCSCTL5_L		Read/write	Byte	00h	
0Bh	UCSCTL5_H		Read/write	Byte	00h	
0Ch	UCSCTL6	Unified Clock System Control 6	Read/write	Word	C1CDh	Section 3.4.7
0Ch	UCSCTL6_L		Read/write	Byte	CDh	
0Dh	UCSCTL6_H		Read/write	Byte	C1h	
0Eh	UCSCTL7	Unified Clock System Control 7	Read/write	Word	0703h	Section 3.4.8
0Eh	UCSCTL7_L		Read/write	Byte	03h	
0Fh	UCSCTL7_H		Read/write	Byte	07h	
10h	UCSCTL8	Unified Clock System Control 8	Read/write	Word	0707h	Section 3.4.9
10h	UCSCTL8_L		Read/write	Byte	07h	
11h	UCSCTL8_H		Read/write	Byte	07h	
12h	UCSCTL9	Unified Clock System Control 9 ⁽¹⁾	Read/write	Word	0000h	Section 3.4.10
12h	UCSCTL9_L		Read/write	Byte	00h	
13h	UCSCTL9_H		Read/write	Byte	00h	

⁽¹⁾ This register is not available on all devices. See the device-specific data sheet.

3.4.1 UCSCTL0 Register

Unified Clock System Control 0 Register

Figure 3-6. UCSCTL0 Register

15	14	13	12	11	10	9	8
Reserved			DCO				
r0	r0	r0	rw-0	rw-0	rw-0	rw-0	rw-0
7	6	5	4	3	2	1	0
MOD					Reserved		
rw-0	rw-0	rw-0	rw-0	rw-0	r0	r0	r0

Table 3-3. UCSCTL0 Register Description

Bit	Field	Type	Reset	Description
15-13	Reserved	R	0h	Reserved. Always reads as 0.
12-8	DCO	RW	0h	DCO tap selection. These bits select the DCO tap and are modified automatically during FLL operation.
7-3	MOD	RW	0h	Modulation bit counter. These bits select the modulation pattern. All MOD bits are modified automatically during FLL operation. The DCO register value is incremented when the modulation bit counter rolls over from 31 to 0. If the modulation bit counter decrements from 0 to the maximum count, the DCO register value is also decremented.
2-0	Reserved	R	0h	Reserved. Always reads as 0.

3.4.2 UCSCTL1 Register

Unified Clock System Control 1 Register

Figure 3-7. UCSCTL1 Register

15	14	13	12	11	10	9	8
Reserved							
r0	r0	r0	r0	r0	r0	r0	r0
7	6	5	4	3	2	1	0
Reserved	DCORSEL			Reserved		Reserved	DISMOD
r0	rw-0	rw-1	rw-0	r0	r0	rw-0	rw-0

Table 3-4. UCSCTL1 Register Description

Bit	Field	Type	Reset	Description
15-7	Reserved	R	0h	Reserved. Always reads as 0.
6-4	DCORSEL	RW	2h	DCO frequency range select. These bits select the DCO frequency range of operation defined in the device-specific datasheet.
3-2	Reserved	R	0h	Reserved. Always reads as 0.
1	Reserved	RW	0h	Reserved. Always reads as 0.
0	DISMOD	RW	0h	Modulation. This bit enables or disables the modulation. 0b = Modulation enabled 1b = Modulation disabled

3.4.3 UCSCTL2 Register

Unified Clock System Control 2 Register

Figure 3-8. UCSCTL2 Register

15	14	13	12	11	10	9	8
Reserved	FLLD			Reserved		FLLN	
r0	rw-0	rw-0	rw-1	r0	r0	rw-0	rw-0
7	6	5	4	3	2	1	0
FLLN							
rw-0	rw-0	rw-0	rw-1	rw-1	rw-1	rw-1	rw-1

Table 3-5. UCSCTL2 Register Description

Bit	Field	Type	Reset	Description
15	Reserved	R	0h	Reserved. Always reads as 0.
14-12	FLLD	RW	1h	FLL loop divider. These bits divide f(DCOCLK) in the FLL feedback loop. This results in an additional multiplier for the multiplier bits. See also multiplier bits. 000b = f(DCOCLK)/1 001b = f(DCOCLK)/2 010b = f(DCOCLK)/4 011b = f(DCOCLK)/8 100b = f(DCOCLK)/16 101b = f(DCOCLK)/32 110b = Reserved for future use. Defaults to f(DCOCLK)/32. 111b = Reserved for future use. Defaults to f(DCOCLK)/32.
11-10	Reserved	R	0h	Reserved. Always reads as 0.
9-0	FLLN	RW	1Fh	Multiplier bits. These bits set the multiplier value N of the DCO. N must be greater than 0. Writing zero to FLLN causes N to be set to 1.

3.4.4 UCSCTL3 Register

Unified Clock System Control 3 Register

Figure 3-9. UCSCTL3 Register

15	14	13	12	11	10	9	8
Reserved							
r0	r0	r0	r0	r0	r0	r0	r0
7	6	5	4	3	2	1	0
Reserved	SELREF			Reserved	FLLREFDIV		
r0	rw-0	rw-0	rw-0	r0	rw-0	rw-0	rw-0

Table 3-6. UCSCTL3 Register Description

Bit	Field	Type	Reset	Description
15-7	Reserved	R	0h	Reserved. Always reads as 0.
6-4	SELREF	RW	0h	FLL reference select. These bits select the FLL reference clock source. 000b = XT1CLK 001b = Reserved for future use. Defaults to XT1CLK. 010b = REFOCLK 011b = Reserved for future use. Defaults to REFOCLK. 100b = Reserved for future use. Defaults to REFOCLK. 101b = XT2CLK when available, otherwise REFOCLK. 110b = Reserved for future use. XT2CLK when available, otherwise REFOCLK. 111b =
3	Reserved	R	0h	Reserved. Always reads as 0.
2-0	FLLREFDIV	RW	0h	FLL reference divider. These bits define the divide factor for $f(\text{FLLREFCLK})$. The divided frequency is used as the FLL reference frequency. 000b = $f(\text{FLLREFCLK})/1$ 001b = $f(\text{FLLREFCLK})/2$ 010b = $f(\text{FLLREFCLK})/4$ 011b = $f(\text{FLLREFCLK})/8$ 100b = $f(\text{FLLREFCLK})/12$ 101b = $f(\text{FLLREFCLK})/16$ 110b = Reserved for future use. Defaults to $f(\text{FLLREFCLK})/16$. 111b = Reserved for future use. Defaults to $f(\text{FLLREFCLK})/16$.

3.4.5 UCSCTL4 Register

Unified Clock System Control 4 Register

Figure 3-10. UCSCTL4 Register

15	14	13	12	11	10	9	8
Reserved					SELA		
r0	r0	r0	r0	r0	rw-0	rw-0	rw-0
7	6	5	4	3	2	1	0
Reserved	SELS			Reserved	SELM		
r0	rw-1	rw-0	rw-0	r0	rw-1	rw-0	rw-0

Table 3-7. UCSCTL4 Register Description

Bit	Field	Type	Reset	Description
15-11	Reserved	R	0h	Reserved. Always reads as 0.
10-8	SELA	RW	0h	Selects the ACLK source 000b = XT1CLK 001b = VLOCLK 010b = REFOCLK 011b = DCOCLK 100b = DCOCLKDIV 101b = XT2CLK when available, otherwise DCOCLKDIV 110b = Reserved for future use. Defaults to XT2CLK. 111b = Reserved for future use. Defaults to XT2CLK.
7	Reserved	R	0h	Reserved. Always reads as 0.
6-4	SELS	RW	4h	Selects the SMCLK source 000b = XT1CLK 001b = VLOCLK 010b = REFOCLK 011b = DCOCLK 100b = DCOCLKDIV 101b = XT2CLK when available, otherwise DCOCLKDIV 110b = Reserved for future use. Defaults to XT2CLK. 111b = Reserved for future use. Defaults to XT2CLK.
3	Reserved	R	0h	Reserved. Always reads as 0.
2-0	SELM	RW	4h	Selects the MCLK source 000b = XT1CLK 001b = VLOCLK 010b = REFOCLK 011b = DCOCLK 100b = DCOCLKDIV 101b = XT2CLK when available, otherwise DCOCLKDIV 110b = Reserved for future use. Defaults to XT2CLK. 111b = Reserved for future use. Defaults to XT2CLK.

3.4.6 UCSCTL5 Register

Unified Clock System Control 5 Register

Figure 3-11. UCSCTL5 Register

15	14	13	12	11	10	9	8
Reserved	DIVPA			Reserved	DIVA		
r0	rw-0	rw-0	rw-0	r0	rw-0	rw-0	rw-0
7	6	5	4	3	2	1	0
Reserved	DIVS			Reserved	DIVM		
r0	rw-0	rw-0	rw-0	r0	rw-0	rw-0	rw-0

Table 3-8. UCSCTL5 Register Description

Bit	Field	Type	Reset	Description
15	Reserved	R	0h	Reserved. Always reads as 0.
14-12	DIVPA	RW	0h	ACLK source divider available at external pin. Divides the frequency of ACLK and presents it to an external pin. 000b = f(ACLK)/1 001b = f(ACLK)/2 010b = f(ACLK)/4 011b = f(ACLK)/8 100b = f(ACLK)/16 101b = f(ACLK)/32 110b = Reserved for future use. Defaults to f(ACLK)/32. 111b = Reserved for future use. Defaults to f(ACLK)/32.
11	Reserved	R	0h	Reserved. Always reads as 0.
10-8	DIVA	RW	0h	ACLK source divider. Divides the frequency of the ACLK clock source. 000b = f(ACLK)/1 001b = f(ACLK)/2 010b = f(ACLK)/4 011b = f(ACLK)/8 100b = f(ACLK)/16 101b = f(ACLK)/32 110b = Reserved for future use. Defaults to f(ACLK)/32. 111b = Reserved for future use. Defaults to f(ACLK)/32.
7	Reserved	R	0h	Reserved. Always reads as 0.
6-4	DIVS	RW	0h	SMCLK source divider 000b = f(SMCLK)/1 001b = f(SMCLK)/2 010b = f(SMCLK)/4 011b = f(SMCLK)/8 100b = f(SMCLK)/16 101b = f(SMCLK)/32 110b = Reserved for future use. Defaults to f(SMCLK)/32. 111b = Reserved for future use. Defaults to f(SMCLK)/32.
3	Reserved	R	0h	Reserved. Always reads as 0.

Table 3-8. UCSCTL5 Register Description (continued)

Bit	Field	Type	Reset	Description
2-0	DIVM	RW	0h	MCLK source divider 000b = $f(\text{MCLK})/1$ 001b = $f(\text{MCLK})/2$ 010b = $f(\text{MCLK})/4$ 011b = $f(\text{MCLK})/8$ 100b = $f(\text{MCLK})/16$ 101b = $f(\text{MCLK})/32$ 110b = Reserved for future use. Defaults to $f(\text{MCLK})/32$. 111b = Reserved for future use. Defaults to $f(\text{MCLK})/32$.

3.4.7 UCSCTL6 Register

Unified Clock System Control 6 Register

Figure 3-12. UCSCTL6 Register

15	14	13	12	11	10	9	8
Reserved							XT2OFF
r0	r0	r0	r0	r0	r0	r0	rw-1
7	6	5	4	3	2	1	0
XT1DRIVE ⁽¹⁾		XTS	XT1BYPASS	XCAP ⁽¹⁾		SMCLKOFF	XT1OFF
rw-1	rw-1	rw-0	rw-0	rw-1	rw-1	rw-0	rw-1

⁽¹⁾ The configuration of these bits is retained during LPM3.5 until LOCKLPM5 is cleared, but not the register bits itself; therefore, reconfiguration after wake-up from LPM3.5 before clearing LOCKLPM5 is required.

Table 3-9. UCSCTL6 Register Description

Bit	Field	Type	Reset	Description
15-9	Reserved	R	0h	Reserved. Always reads as 0.
8	XT2OFF	RW	1h	Turns off the XT2 oscillator 0b = XT2 is on 1b = XT2 is off if it is not used by the radio; that is, if the radio is not in sleep state
7-6	XT1DRIVE	RW	3h	The XT1 oscillator current can be adjusted to its drive needs. Initially, it starts with the highest supply current for reliable and quick startup. If needed, user software can reduce the drive strength. 00b = Lowest current consumption for XT1 LF mode. XT1 oscillator operating range in HF mode is 4 MHz to 8 MHz. 01b = Increased drive strength for XT1 LF mode. XT1 oscillator operating range in HF mode is 8 MHz to 16 MHz. 10b = Increased drive capability for XT1 LF mode. XT1 oscillator operating range in HF mode is 16 MHz to 24 MHz. 11b = Maximum drive capability and maximum current consumption for XT1 LF mode. XT1 oscillator operating range in HF mode is 24 MHz to 32 MHz.
5	XTS	RW	0h	XT1 mode select 0b = Low-frequency mode. XCAP bits define the capacitance at the XIN and XOUT pins. 1b = High-frequency mode. XCAP bits are not used.
4	XT1BYPASS	RW	0h	XT1 bypass select 0b = XT1 sourced internally 1b = XT1 sourced externally from pin
3-2	XCAP	RW	3h	Oscillator capacitor selection. These bits select the capacitors applied to the LF crystal or resonator in the LF mode (XTS = 0). The effective capacitance (seen by the crystal) is $C(\text{eff}) \approx (C(\text{XIN}) + 2 \text{ pF}) / 2$. It is assumed that $C(\text{XIN}) = C(\text{XOUT})$ and that a parasitic capacitance of 2 pF is added by the package and the printed circuit board. For details about the typical internal and the effective capacitors, see the device-specific data sheet.
1	SMCLKOFF	RW	0h	SMCLK off. This bit turns off the SMCLK. 0b = SMCLK on 1b = SMCLK off
0	XT1OFF	RW	1h	XT1 off. This bit turns off the XT1. 0b = XT1 is on if XT1 is selected via the port selection and XT1 is not in bypass mode of operation. 1b = XT1 is off if it is not used as a source for ACLK, MCLK, or SMCLK or is not used as a reference source required for FLL operation.

3.4.8 UCSCTL7 Register

Unified Clock System Control 7 Register

Figure 3-13. UCSCTL7 Register

15	14	13	12	11	10	9	8
Reserved		Reserved		Reserved		Reserved	
r0	r0	rw-0	rw-(0)	rw-(1)	rw-(1)	r-1	r-1
7	6	5	4	3	2	1	0
Reserved			Reserved	XT2OFFG ⁽¹⁾	XT1HFOFFG ⁽¹⁾	XT1LFOFFG	DCOFFG
r0	r0	r0	rw-(0)	rw-(0)	rw-(0)	rw-(1)	rw-(1)

⁽¹⁾ Not available on all devices. When not available, this bit is reserved.

Table 3-10. UCSCTL7 Register Description

Bit	Field	Type	Reset	Description
15-14	Reserved	R	0h	Reserved. Always reads as 0.
13-12	Reserved	RW	0h	Reserved. Must always be written with 0.
11-10	Reserved	RW	3h	Reserved. The states of these bits should be ignored.
9-8	Reserved	R	3h	Reserved. The states of these bits should be ignored.
7-5	Reserved	R	0h	Reserved. Always reads as 0.
4	Reserved	RW	0h	Reserved. The state of this bit should be ignored.
3	XT2OFFG ⁽¹⁾	RW	0h	XT2 oscillator fault flag. If this bit is set, the OFIFG flag is also set. XT2OFFG is set if a XT2 fault condition exists. XT2OFFG can be cleared via software. If the XT2 fault condition still remains, XT2OFFG is set. 0b = No fault condition occurred after the last reset. 1b = XT2 fault. An XT2 fault occurred after the last reset.
2	XT1HFOFFG ⁽¹⁾	RW	0h	XT1 oscillator fault flag (HF mode). If this bit is set, the OFIFG flag is also set. XT1HFOFFG is set if a XT1 fault condition exists. XT1HFOFFG can be cleared via software. If the XT1 fault condition still remains, XT1HFOFFG is set. 0b = No fault condition occurred after the last reset. 1b = XT1 fault. An XT1 fault occurred after the last reset.
1	XT1LFOFFG	RW	1h	XT1 oscillator fault flag (LF mode). If this bit is set, the OFIFG flag is also set. XT1LFOFFG is set if a XT1 fault condition exists. XT1LFOFFG can be cleared via software. If the XT1 fault condition still remains, XT1LFOFFG is set. 0b = No fault condition occurred after the last reset. 1b = XT1 fault (LF mode). A XT1 fault occurred after the last reset.
0	DCOFFG	RW	1h	DCO fault flag. If this bit is set, the OFIFG flag is also set. The DCOFFG bit is set if DCO = {0} or DCO = {31}. DCOFFG can be cleared via software. If the DCO fault condition still remains, DCOFFG is set. 0b = No fault condition occurred after the last reset. 1b = DCO fault. A DCO fault occurred after the last reset.

⁽¹⁾ Not available on all devices. When not available, this bit is reserved.

3.4.9 UCSCTL8 Register

Unified Clock System Control 8 Register

Figure 3-14. UCSCTL8 Register

15	14	13	12	11	10	9	8
Reserved					Reserved		
r0	r0	r0	r0	r0	rw-(1)	rw-(1)	rw-(1)
7	6	5	4	3	2	1	0
Reserved			Reserved	MODOSCREQ EN	SMCLKREQEN	MCLKREQEN	ACLKREQEN
r0	r0	r0	rw-(0)	rw-(0)	rw-(1)	rw-(1)	rw-(1)

Table 3-11. UCSCTL8 Register Description

Bit	Field	Type	Reset	Description
15-11	Reserved	R	0h	Reserved. Always reads as 0.
10-8	Reserved	R	0h	Reserved. Must always be written as 1.
7-5	Reserved	R	0h	Reserved. Always reads as 0.
4	Reserved	R	0h	Reserved. Must always be written as 0.
3	MODOSCREQEN	RW	0h	MODOSC clock request enable. Setting this enables conditional module requests for MODOSC. 0b = MODOSC conditional requests are disabled. 1b = MODOSC conditional requests are enabled.
2	SMCLKREQEN	RW	1h	SMCLK clock request enable. Setting this enables conditional module requests for SMCLK 0b = SMCLK conditional requests are disabled. 1b = SMCLK conditional requests are enabled.
1	MCLKREQEN	RW	1h	MCLK clock request enable. Setting this enables conditional module requests for MCLK 0b = MCLK conditional requests are disabled. 1b = MCLK conditional requests are enabled.
0	ACLKREQEN	RW	1h	ACLK clock request enable. Setting this enables conditional module requests for ACLK 0b = ACLK conditional requests are disabled. 1b = ACLK conditional requests are enabled.

3.4.10 UCSCTL9 Register

Unified Clock System Control 9 Register

This register is not available on all devices. See the device-specific data sheet.

Figure 3-15. UCSCTL9 Register

15	14	13	12	11	10	9	8
Reserved							
r0	r0	r0	r0	r0	r0	r0	r0
7	6	5	4	3	2	1	0
Reserved						XT2BYPASSLV	XT1BYPASSLV
r0	r0	r0	r0	r0	r0	rw-0	rw-0

Table 3-12. UCSCTL9 Register Description

Bit	Field	Type	Reset	Description
15-2	Reserved	R	0h	Reserved. Always reads as 0.
1	XT2BYPASSLV	RW	0h	Selects XT2 bypass input swing level. Must be set for reduced swing operation. 0b = Input range from 0 to DVCC 1b = Input range from 0 to DVIO
0	XT1BYPASSLV	RW	0h	Selects XT1 bypass input swing level. Must be set for reduced swing operation. 0b = Input range from 0 to DVCC 1b = Input range from 0 to DVIO

This chapter describes the extended MSP430X 16-bit RISC CPU (CPUX) with 1MB memory access, its addressing modes, and instruction set.

NOTE: The MSP430X CPU implemented on these devices has, in some cases, slightly different cycle counts from the MSP430X CPU implemented on the 2xx and 4xx families.

Topic	Page
4.1 MSP430X CPU (CPUX) Introduction	133
4.2 Interrupts	135
4.3 CPU Registers	136
4.4 Addressing Modes	142
4.5 MSP430 and MSP430X Instructions	159
4.6 Instruction Set Description	175

4.1 MSP430X CPU (CPUX) Introduction

The MSP430X CPU incorporates features specifically designed for modern programming techniques, such as calculated branching, table processing, and the use of high-level languages such as C. The MSP430X CPU can address a 1MB address range without paging. The MSP430X CPU is completely backward compatible with the MSP430 CPU.

The MSP430X CPU features include:

- RISC architecture
- Orthogonal architecture
- Full register access including program counter (PC), status register (SR), and stack pointer (SP)
- Single-cycle register operations
- Large register file reduces fetches to memory.
- 20-bit address bus allows direct access and branching throughout the entire memory range without paging.
- 16-bit data bus allows direct manipulation of word-wide arguments.
- Constant generator provides the six most often used immediate values and reduces code size.
- Direct memory-to-memory transfers without intermediate register holding
- Byte, word, and 20-bit address-word addressing

The block diagram of the MSP430X CPU is shown in [Figure 4-1](#).

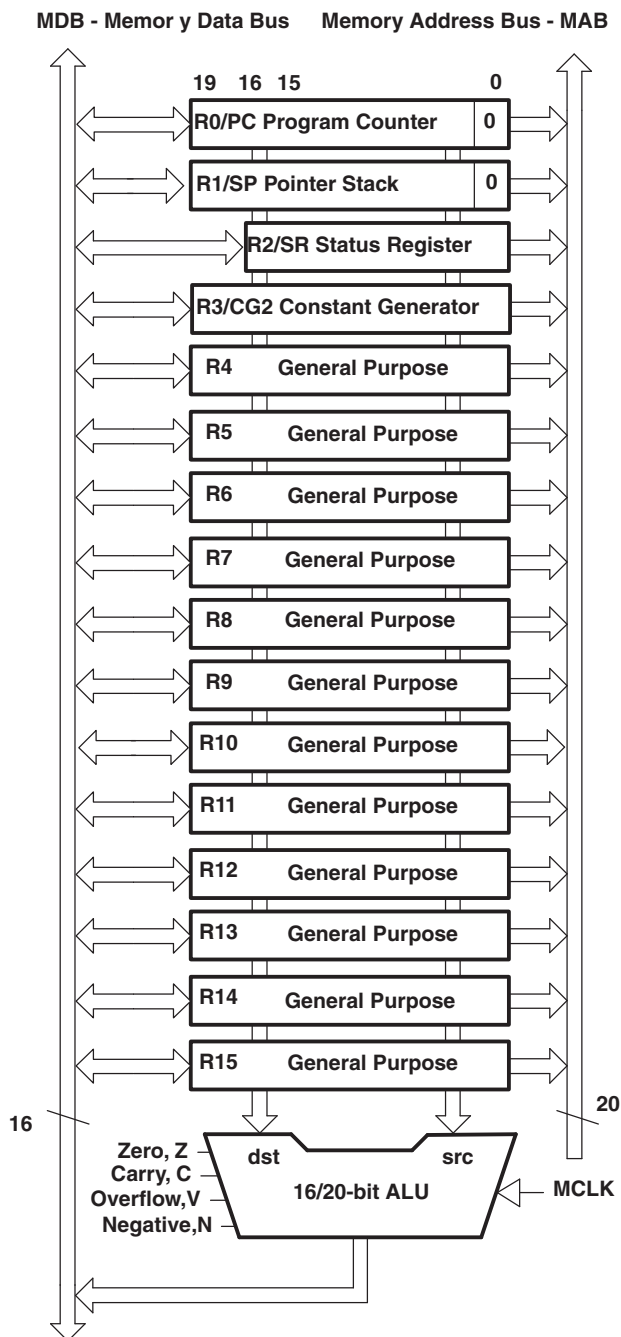


Figure 4-1. MSP430X CPU Block Diagram

4.2 Interrupts

The MSP430X has the following interrupt structure:

- Vectored interrupts with no polling necessary
- Interrupt vectors are located downward from address 0FFFEh.

The interrupt vectors contain 16-bit addresses that point into the lower 64-KB memory. This means all interrupt handlers must start in the lower 64-KB memory.

During an interrupt, the program counter (PC) and the status register (SR) are pushed onto the stack as shown in Figure 4-2. The MSP430X architecture stores the complete 20-bit PC value efficiently by appending the PC bits 19:16 to the stored SR value automatically on the stack. When the RETI instruction is executed, the full 20-bit PC is restored making return from interrupt to any address in the memory range possible.

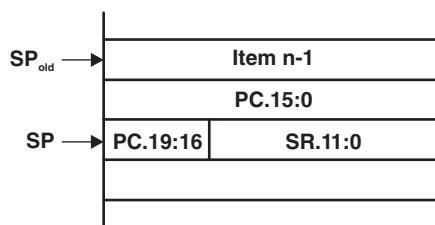


Figure 4-2. PC Storage on the Stack for Interrupts

4.3 CPU Registers

The CPU incorporates 16 registers (R0 through R15). Registers R0, R1, R2, and R3 have dedicated functions. Registers R4 through R15 are working registers for general use.

4.3.1 Program Counter (PC)

The 20-bit Program Counter (PC, also called R0) points to the next instruction to be executed. Each instruction uses an even number of bytes (2, 4, 6, or 8 bytes), and the PC is incremented accordingly. Instruction accesses are performed on word boundaries, and the PC is aligned to even addresses. Figure 4-3 shows the PC.

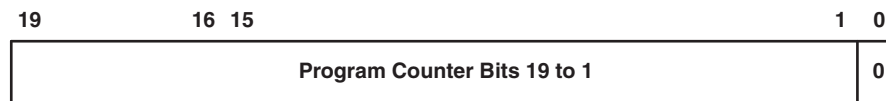


Figure 4-3. Program Counter

The PC can be addressed with all instructions and addressing modes. A few examples:

```
MOV.W #LABEL,PC ; Branch to address LABEL (lower 64 KB)

MOVA #LABEL,PC ; Branch to address LABEL (1MB memory)

MOV.W LABEL,PC ; Branch to address in word LABEL
                ; (lower 64 KB)

MOV.W @R14,PC ; Branch indirect to address in
                ; R14 (lower 64 KB)

ADDA #4,PC ; Skip two words (1 MB memory)
```

The BR and CALL instructions reset the upper four PC bits to 0. Only addresses in the lower 64-KB address range can be reached with the BR or CALL instruction. When branching or calling, addresses beyond the lower 64-KB range can only be reached using the BRA or CALLA instructions. Also, any instruction to directly modify the PC does so according to the used addressing mode. For example, MOV.W #value,PC clears the upper four bits of the PC, because it is a .W instruction.

The PC is automatically stored on the stack with CALL (or CALLA) instructions and during an interrupt service routine. Figure 4-4 shows the storage of the PC with the return address after a CALLA instruction. A CALL instruction stores only bits 15:0 of the PC.

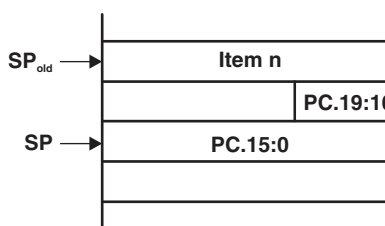


Figure 4-4. PC Storage on the Stack for CALLA

The RETA instruction restores bits 19:0 of the PC and adds 4 to the stack pointer (SP). The RET instruction restores bits 15:0 to the PC and adds 2 to the SP.

4.3.2 Stack Pointer (SP)

The 20-bit Stack Pointer (SP, also called R1) is used by the CPU to store the return addresses of subroutine calls and interrupts. It uses a predecrement, postincrement scheme. In addition, the SP can be used by software with all instructions and addressing modes. Figure 4-5 shows the SP. The SP is initialized into RAM by the user, and is always aligned to even addresses.

Figure 4-6 shows the stack usage. Figure 4-7 shows the stack usage when 20-bit address words are pushed.

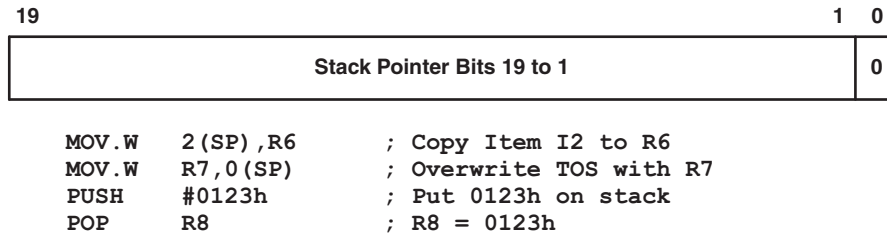


Figure 4-5. Stack Pointer

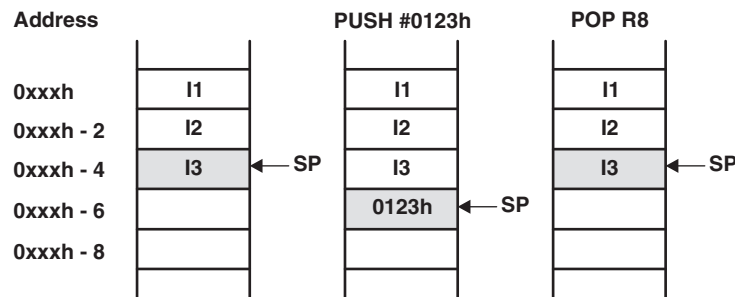


Figure 4-6. Stack Usage

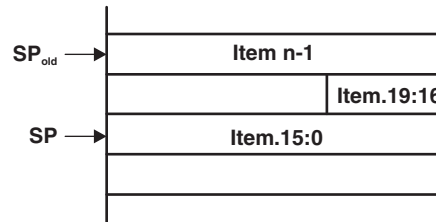


Figure 4-7. PUSHX.A Format on the Stack

The special cases of using the SP as an argument to the PUSH and POP instructions are described and shown in Figure 4-8.

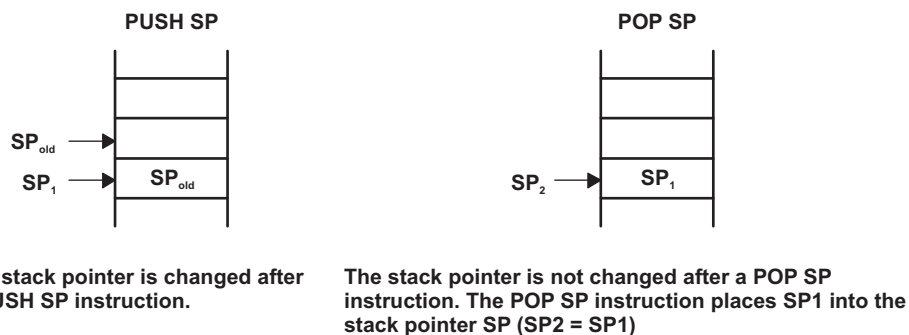


Figure 4-8. PUSH SP, POP SP Sequence

4.3.3 Status Register (SR)

The 16-bit Status Register (SR, also called R2), used as a source or destination register, can only be used in register mode addressed with word instructions. The remaining combinations of addressing modes are used to support the constant generator. Figure 4-9 shows the SR bits. Do not write 20-bit values to the SR. Unpredictable operation can result.

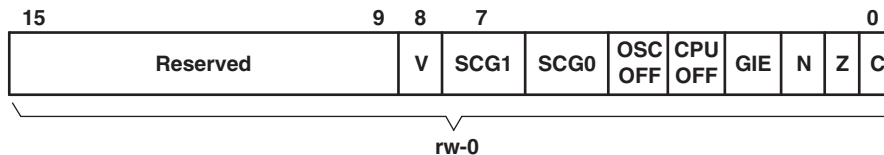


Figure 4-9. SR Bits

Table 4-1 describes the SR bits.

Table 4-1. SR Bit Description

Bit	Description
Reserved	Reserved
V	<p>Overflow. This bit is set when the result of an arithmetic operation overflows the signed-variable range.</p> <p>ADD(.B), ADDX(.B,.A), ADDC(.B), ADDCX(.B.A), ADDA</p> <p>Set when: positive + positive = negative negative + negative = positive otherwise reset</p> <p>SUB(.B), SUBX(.B,.A), SUBC(.B), SUBCX(.B.A), SUBA, CMP(.B), CMPX(.B,.A), CMPA</p> <p>Set when: positive – negative = negative negative – positive = positive otherwise reset</p>
SCG1	System clock generator 1. This bit may be used to enable or disable functions in the clock system depending on the device family; for example, DCO bias enable or disable.
SCG0	System clock generator 0. This bit may be used to enable or disable functions in the clock system depending on the device family; for example, FLL enable or disable.
OSCOFF	Oscillator off. This bit, when set, turns off the LFXT1 crystal oscillator when LFXT1CLK is not used for MCLK or SMCLK.
CPUOFF	CPU off. This bit, when set, turns off the CPU.
GIE	General interrupt enable. This bit, when set, enables maskable interrupts. When reset, all maskable interrupts are disabled.
N	Negative. This bit is set when the result of an operation is negative and cleared when the result is positive.
Z	Zero. This bit is set when the result of an operation is 0 and cleared when the result is not 0.
C	Carry. This bit is set when the result of an operation produced a carry and cleared when no carry occurred.

NOTE: Bit manipulations of the SR should be done by the following instructions: MOV, BIS, and BIC.

4.3.4 Constant Generator Registers (CG1 and CG2)

Six commonly-used constants are generated with the constant generator registers R2 (CG1) and R3 (CG2), without requiring an additional 16-bit word of program code. The constants are selected with the source register addressing modes (As), as described in [Table 4-2](#).

Table 4-2. Values of Constant Generators CG1, CG2

Register	As	Constant	Remarks
R2	00	–	Register mode
R2	01	(0)	Absolute address mode
R2	10	00004h	+4, bit processing
R2	11	00008h	+8, bit processing
R3	00	00000h	0, word processing
R3	01	00001h	+1
R3	10	00002h	+2, bit processing
R3	11	FFh, FFFFh, FFFFFh	–1, word processing

The constant generator advantages are:

- No special instructions required
- No additional code word for the six constants
- No code memory access required to retrieve the constant

The assembler uses the constant generator automatically if one of the six constants is used as an immediate source operand. Registers R2 and R3, used in the constant mode, cannot be addressed explicitly; they act as source-only registers.

4.3.4.1 Constant Generator – Expanded Instruction Set

The RISC instruction set of the MSP430 has only 27 instructions. However, the constant generator allows the MSP430 assembler to support 24 additional emulated instructions. For example, the single-operand instruction:

```
CLR dst
```

is emulated by the double-operand instruction with the same length:

```
MOV R3, dst
```

where the #0 is replaced by the assembler, and R3 is used with As = 00.

```
INC dst
```

is replaced by:

```
ADD 0(R3), dst
```

4.3.5 General-Purpose Registers (R4 –R15)

The 12 CPU registers (R4 to R15) contain 8-bit, 16-bit, or 20-bit values. Any byte-write to a CPU register clears bits 19:8. Any word-write to a register clears bits 19:16. The only exception is the SXT instruction. The SXT instruction extends the sign through the complete 20-bit register.

Figure 4-10 through Figure 4-14 show the handling of byte, word, and address-word data. Note the reset of the leading most significant bits (MSBs) if a register is the destination of a byte or word instruction.

Figure 4-10 shows byte handling (8-bit data, .B suffix). The handling is shown for a source register and a destination memory byte and for a source memory byte and a destination register.

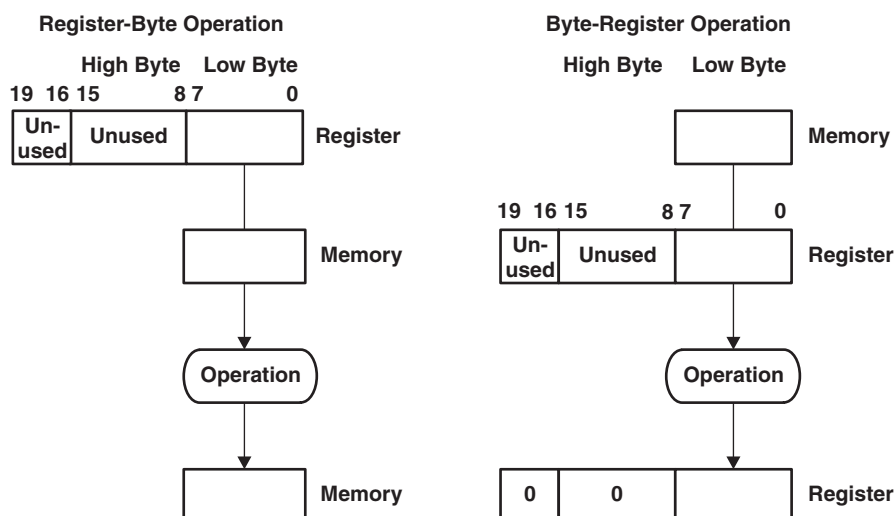


Figure 4-10. Register-Byte and Byte-Register Operation

Figure 4-11 and Figure 4-12 show 16-bit word handling (.W suffix). The handling is shown for a source register and a destination memory word and for a source memory word and a destination register.

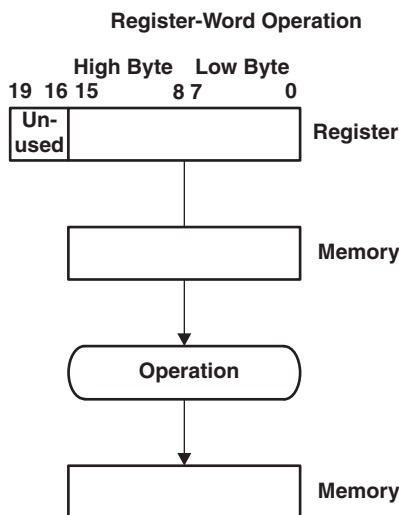


Figure 4-11. Register-Word Operation

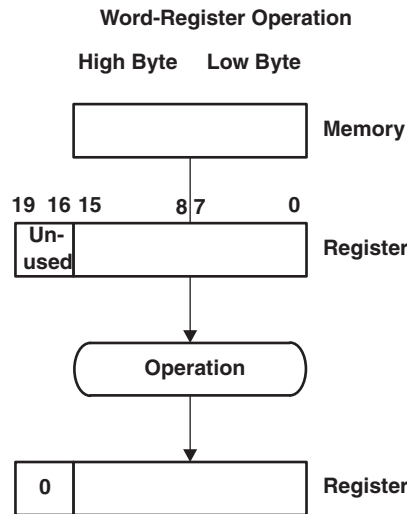


Figure 4-12. Word-Register Operation

Figure 4-13 and Figure 4-14 show 20-bit address-word handling (.A suffix). The handling is shown for a source register and a destination memory address-word and for a source memory address-word and a destination register.

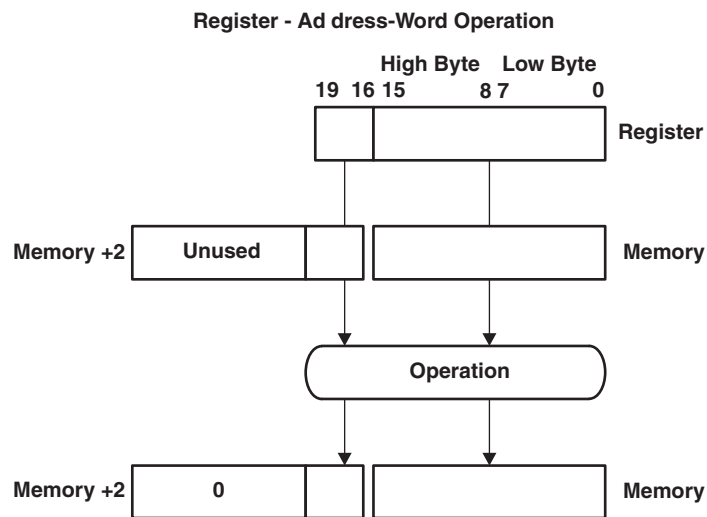


Figure 4-13. Register – Address-Word Operation

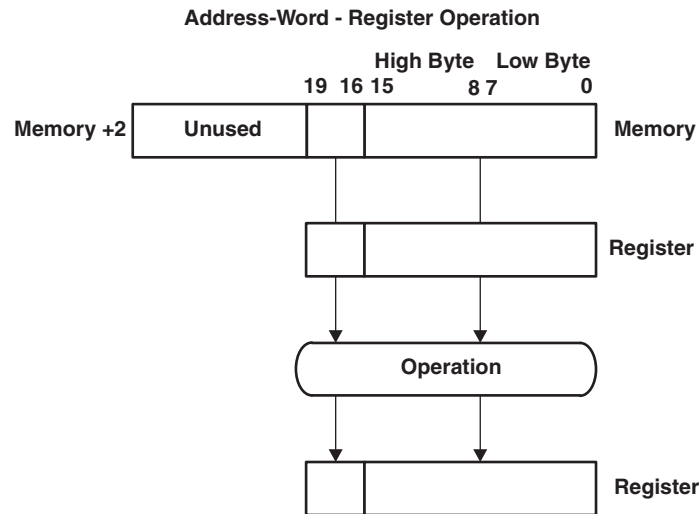


Figure 4-14. Address-Word – Register Operation

4.4 Addressing Modes

Seven addressing modes for the source operand and four addressing modes for the destination operand use 16-bit or 20-bit addresses (see [Table 4-3](#)). The MSP430 and MSP430X instructions are usable throughout the entire 1MB memory range.

Table 4-3. Source and Destination Addressing

As, Ad	Addressing Mode	Syntax	Description
00, 0	Register	Rn	Register contents are operand.
01, 1	Indexed	X(Rn)	(Rn + X) points to the operand. X is stored in the next word, or stored in combination of the preceding extension word and the next word.
01, 1	Symbolic	ADDR	(PC + X) points to the operand. X is stored in the next word, or stored in combination of the preceding extension word and the next word. Indexed mode X(PC) is used.
01, 1	Absolute	&ADDR	The word following the instruction contains the absolute address. X is stored in the next word, or stored in combination of the preceding extension word and the next word. Indexed mode X(SR) is used.
10, –	Indirect Register	@Rn	Rn is used as a pointer to the operand.
11, –	Indirect Autoincrement	@Rn+	Rn is used as a pointer to the operand. Rn is incremented afterwards by 1 for .B instructions, by 2 for .W instructions, and by 4 for .A instructions.
11, –	Immediate	#N	N is stored in the next word, or stored in combination of the preceding extension word and the next word. Indirect autoincrement mode @PC+ is used.

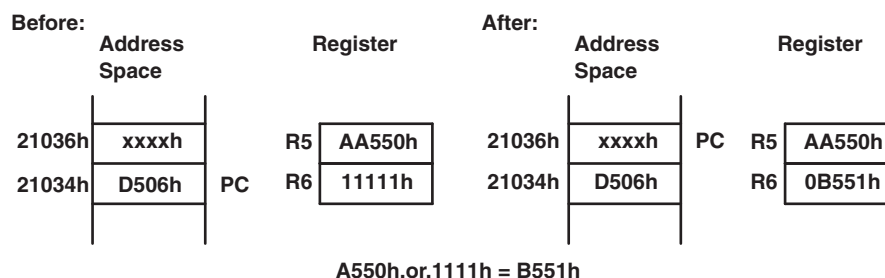
The seven addressing modes are explained in detail in the following sections. Most of the examples show the same addressing mode for the source and destination, but any valid combination of source and destination addressing modes is possible in an instruction.

NOTE: Use of Labels EDE, TONI, TOM, and LEO

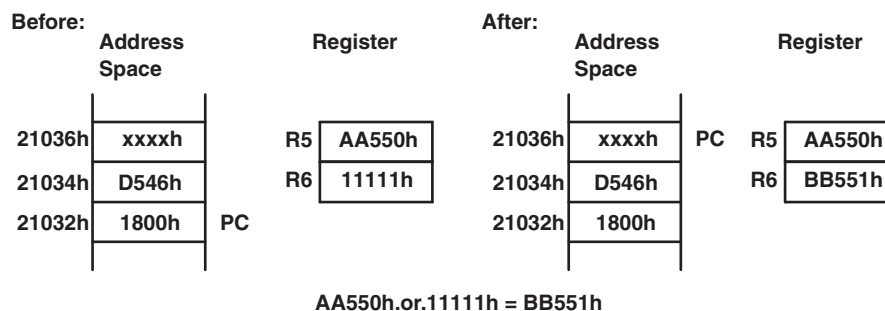
Throughout MSP430 documentation, EDE, TONI, TOM, and LEO are used as generic labels. They are only labels and have no special meaning.

4.4.1 Register Mode

- Operation:** The operand is the 8-, 16-, or 20-bit content of the used CPU register.
Length: One, two, or three words
Comment: Valid for source and destination
Byte operation: Byte operation reads only the eight least significant bits (LSBs) of the source register Rsrc and writes the result to the eight LSBs of the destination register Rdst. The bits Rdst.19:8 are cleared. The register Rsrc is not modified.
Word operation: Word operation reads the 16 LSBs of the source register Rsrc and writes the result to the 16 LSBs of the destination register Rdst. The bits Rdst.19:16 are cleared. The register Rsrc is not modified.
Address-word operation: Address-word operation reads the 20 bits of the source register Rsrc and writes the result to the 20 bits of the destination register Rdst. The register Rsrc is not modified
SXT exception: The SXT instruction is the only exception for register operation. The sign of the low byte in bit 7 is extended to the bits Rdst.19:8.
Example: `BIS.W R5,R6 ;`
 This instruction logically ORs the 16-bit data contained in R5 with the 16-bit contents of R6. R6.19:16 is cleared.



- Example:** `BISX.A R5,R6 ;`
 This instruction logically ORs the 20-bit data contained in R5 with the 20-bit contents of R6.
 The extension word contains the A/L bit for 20-bit data. The instruction word uses byte mode with bits A/L:B/W = 01. The result of the instruction is:



4.4.2 Indexed Mode

The Indexed mode calculates the address of the operand by adding the signed index to a CPU register. The Indexed mode has three addressing possibilities:

- Indexed mode in lower 64-KB memory
- MSP430 instruction with Indexed mode addressing memory above the lower 64-KB memory
- MSP430X instruction with Indexed mode

4.4.2.1 Indexed Mode in Lower 64-KB Memory

If the CPU register Rn points to an address in the lower 64 KB of the memory range, the calculated memory address bits 19:16 are cleared after the addition of the CPU register Rn and the signed 16-bit index. This means the calculated memory address is always located in the lower 64 KB and does not overflow or underflow out of the lower 64-KB memory space. The RAM and the peripheral registers can be accessed this way and existing MSP430 software is usable without modifications as shown in [Figure 4-15](#).

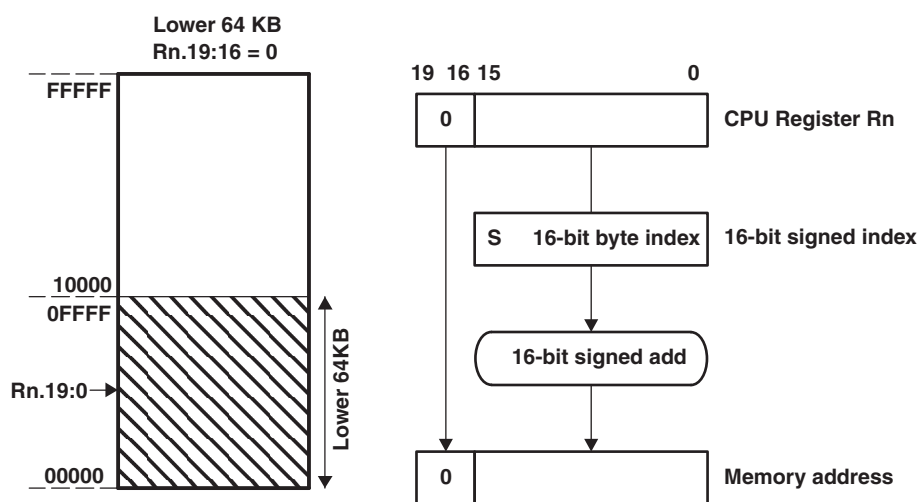
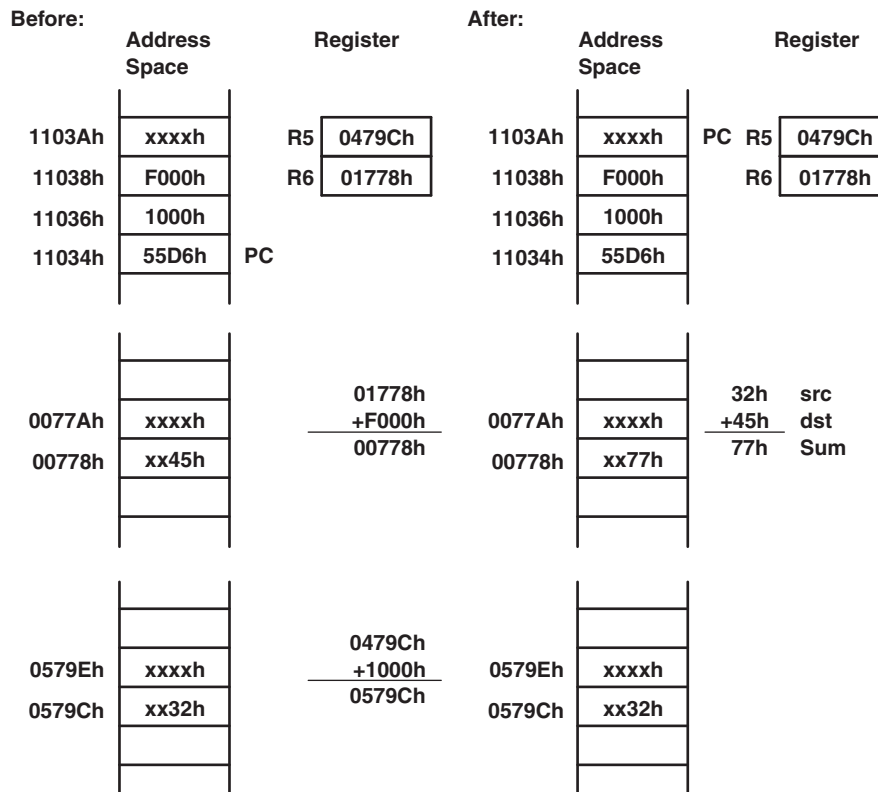


Figure 4-15. Indexed Mode in Lower 64 KB

Length:	Two or three words
Operation:	The signed 16-bit index is located in the next word after the instruction and is added to the CPU register Rn. The resulting bits 19:16 are cleared giving a truncated 16-bit memory address, which points to an operand address in the range 00000h to 0FFFFh. The operand is the content of the addressed memory location.
Comment:	Valid for source and destination. The assembler calculates the register index and inserts it.
Example:	<pre>ADD.B 1000h(R5), 0F000h(R6);</pre> <p>This instruction adds the 8-bit data contained in source byte 1000h(R5) and the destination byte 0F000h(R6) and places the result into the destination byte. Source and destination bytes are both located in the lower 64 KB due to the cleared bits 19:16 of registers R5 and R6.</p>
Source:	The byte pointed to by R5 + 1000h results in address 0479Ch + 1000h = 0579Ch after truncation to a 16-bit address.
Destination:	The byte pointed to by R6 + F000h results in address 01778h + F000h = 00778h after truncation to a 16-bit address.



4.4.2.2 MSP430 Instruction With Indexed Mode in Upper Memory

If the CPU register Rn points to an address above the lower 64-KB memory, the Rn bits 19:16 are used for the address calculation of the operand. The operand may be located in memory in the range Rn ±32 KB, because the index, X, is a signed 16-bit value. In this case, the address of the operand can overflow or underflow into the lower 64-KB memory space (see Figure 4-16 and Figure 4-17).

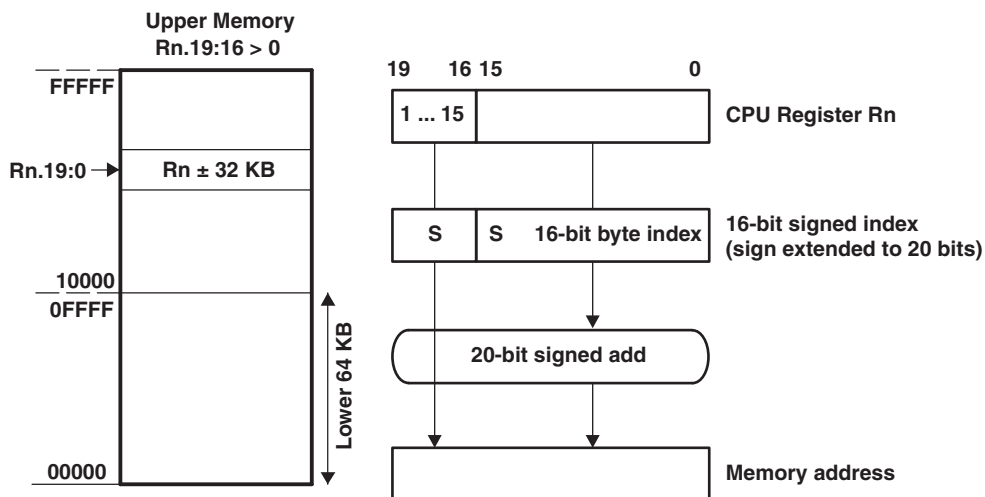


Figure 4-16. Indexed Mode in Upper Memory

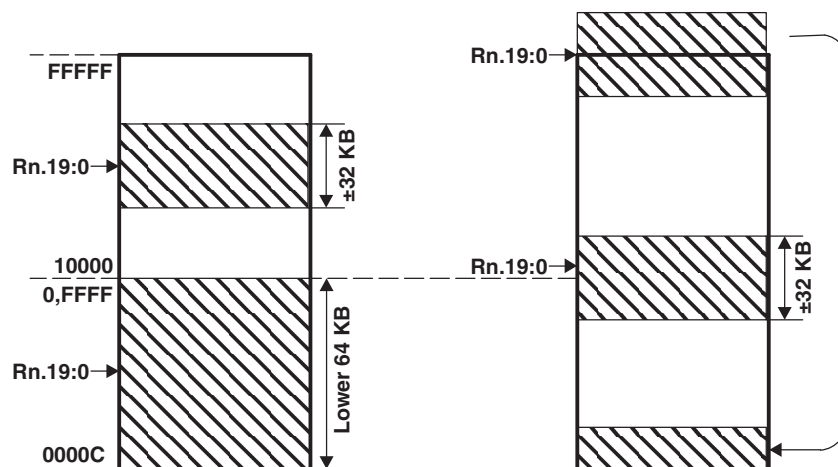


Figure 4-17. Overflow and Underflow for Indexed Mode

Length:	Two or three words
Operation:	The sign-extended 16-bit index in the next word after the instruction is added to the 20 bits of the CPU register Rn. This delivers a 20-bit address, which points to an address in the range 0 to FFFFFh. The operand is the content of the addressed memory location.
Comment:	Valid for source and destination. The assembler calculates the register index and inserts it.
Example:	<pre>ADD.W 8346h(R5),2100h(R6) ;</pre> <p>This instruction adds the 16-bit data contained in the source and the destination addresses and places the 16-bit result into the destination. Source and destination operand can be located in the entire address range.</p>
Source:	The word pointed to by $R5 + 8346h$. The negative index 8346h is sign extended, which results in address $23456h + F8346h = 1B79Ch$.
Destination:	The word pointed to by $R6 + 2100h$ results in address $15678h + 2100h = 17778h$.

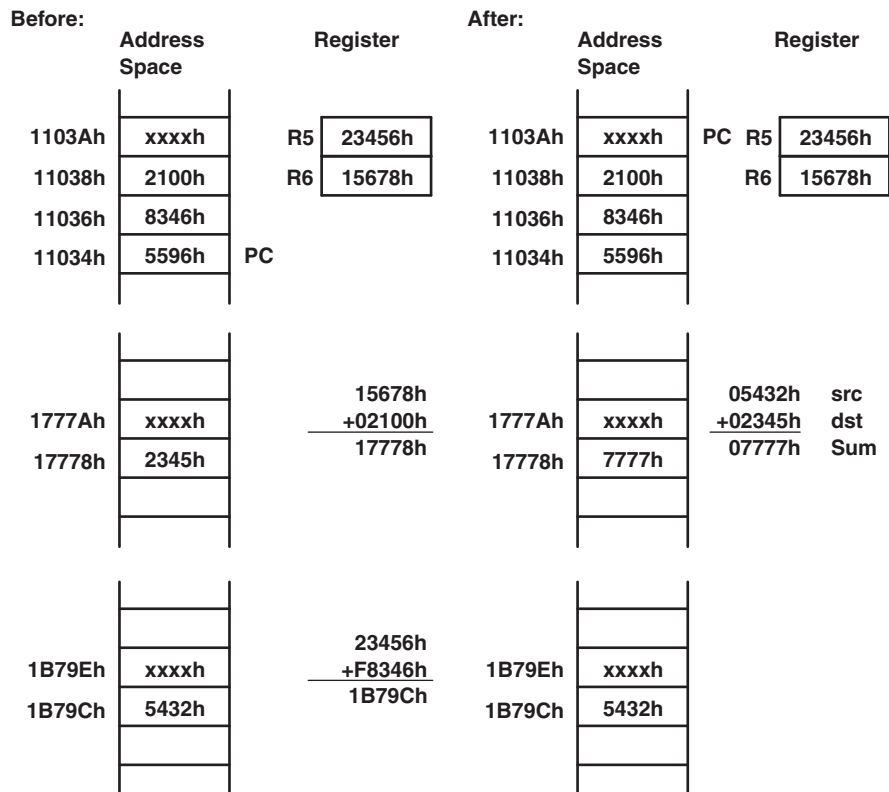


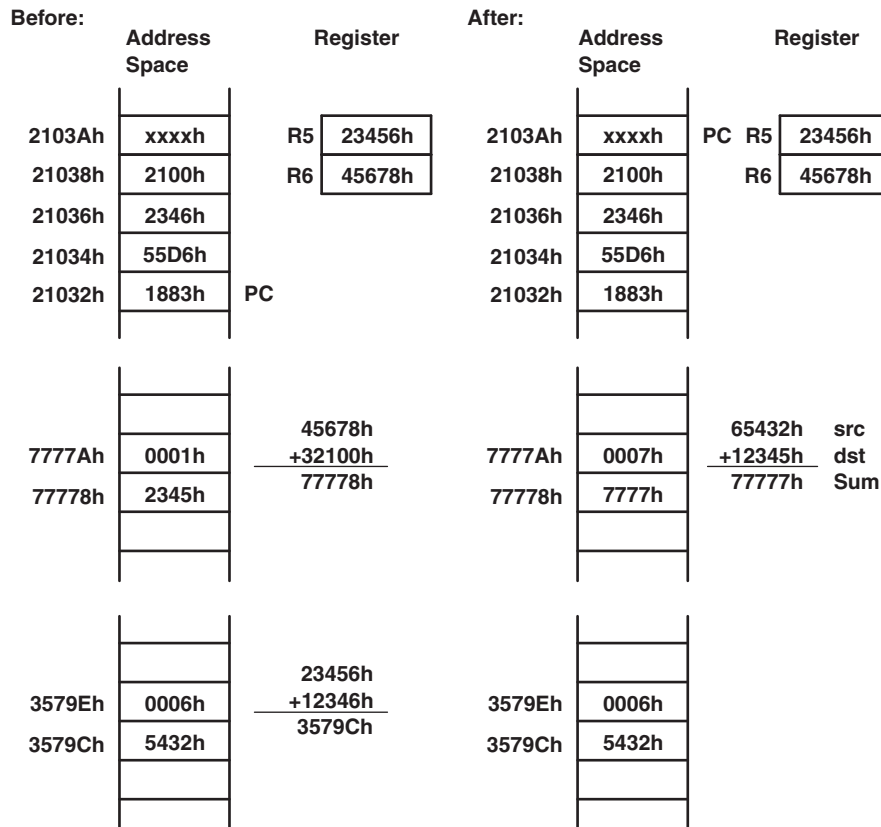
Figure 4-18. Example for Indexed Mode

4.4.2.3 MSP430X Instruction With Indexed Mode

When using an MSP430X instruction with Indexed mode, the operand can be located anywhere in the range of Rn + 19 bits.

- Length: Three or four words
- Operation: The operand address is the sum of the 20-bit CPU register content and the 20-bit index. The 4 MSBs of the index are contained in the extension word; the 16 LSBs are contained in the word following the instruction. The CPU register is not modified
- Comment: Valid for source and destination. The assembler calculates the register index and inserts it.
- Example: `ADDX.A 12346h(R5), 32100h(R6) ;`
This instruction adds the 20-bit data contained in the source and the destination addresses and places the result into the destination.
- Source: Two words pointed to by R5 + 12346h which results in address 23456h + 12346h = 3579Ch.
- Destination: Two words pointed to by R6 + 32100h which results in address 45678h + 32100h = 77778h.

The extension word contains the MSBs of the source index and of the destination index and the A/L bit for 20-bit data. The instruction word uses byte mode due to the 20-bit data length with bits A/L:B/W = 01.



4.4.3 Symbolic Mode

The Symbolic mode calculates the address of the operand by adding the signed index to the PC. The Symbolic mode has three addressing possibilities:

- Symbolic mode in lower 64-KB memory
- MSP430 instruction with Symbolic mode addressing memory above the lower 64-KB memory.
- MSP430X instruction with Symbolic mode

4.4.3.1 Symbolic Mode in Lower 64 KB

If the PC points to an address in the lower 64 KB of the memory range, the calculated memory address bits 19:16 are cleared after the addition of the PC and the signed 16-bit index. This means the calculated memory address is always located in the lower 64 KB and does not overflow or underflow out of the lower 64-KB memory space. The RAM and the peripheral registers can be accessed this way and existing MSP430 software is usable without modifications as shown in [Figure 4-19](#).

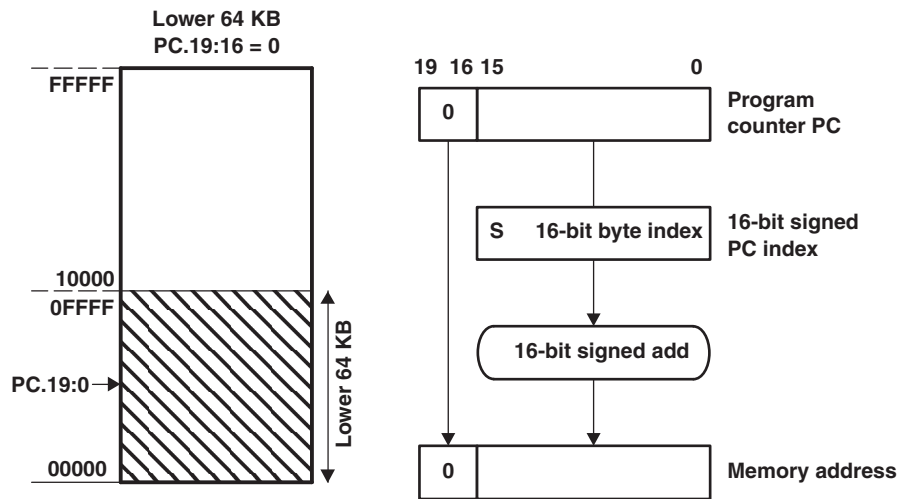
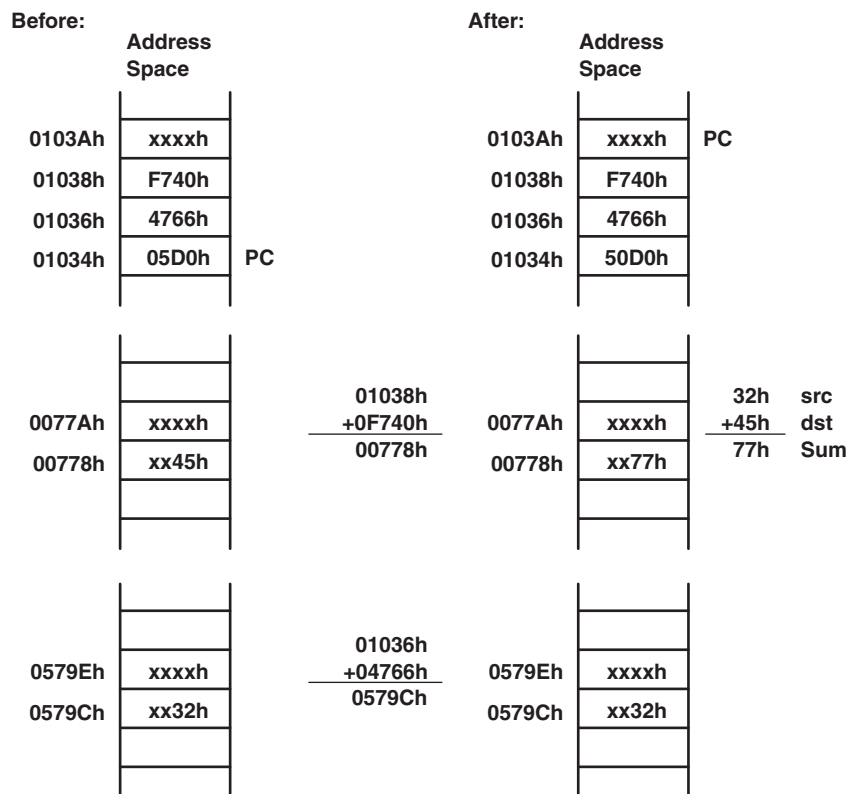


Figure 4-19. Symbolic Mode Running in Lower 64 KB

- Operation: The signed 16-bit index in the next word after the instruction is added temporarily to the PC. The resulting bits 19:16 are cleared giving a truncated 16-bit memory address, which points to an operand address in the range 00000h to 0FFFFh. The operand is the content of the addressed memory location.
- Length: Two or three words
- Comment: Valid for source and destination. The assembler calculates the PC index and inserts it.
- Example: `ADD.B EDE,TONI ;`
 This instruction adds the 8-bit data contained in source byte EDE and destination byte TONI and places the result into the destination byte TONI. Bytes EDE and TONI and the program are located in the lower 64 KB.
- Source: Byte EDE located at address 0579Ch, pointed to by PC + 4766h, where the PC index 4766h is the result of 0579Ch – 01036h = 04766h. Address 01036h is the location of the index for this example.
- Destination: Byte TONI located at address 00778h, pointed to by PC + F740h, is the truncated 16-bit result of 00778h – 1038h = FF740h. Address 01038h is the location of the index for this example.



4.4.3.2 MSP430 Instruction With Symbolic Mode in Upper Memory

If the PC points to an address above the lower 64-KB memory, the PC bits 19:16 are used for the address calculation of the operand. The operand may be located in memory in the range PC ± 32 KB, because the index, X, is a signed 16-bit value. In this case, the address of the operand can overflow or underflow into the lower 64-KB memory space as shown in Figure 4-20 and Figure 4-21.

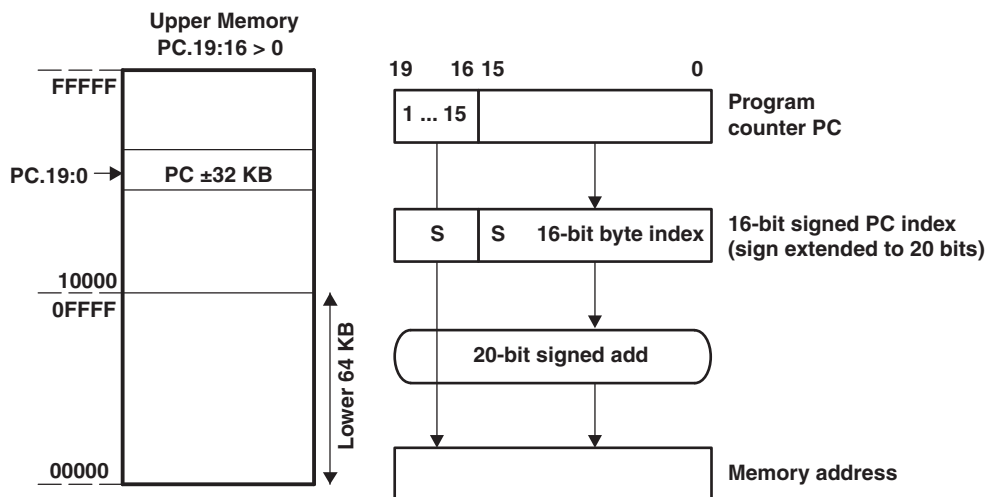


Figure 4-20. Symbolic Mode Running in Upper Memory

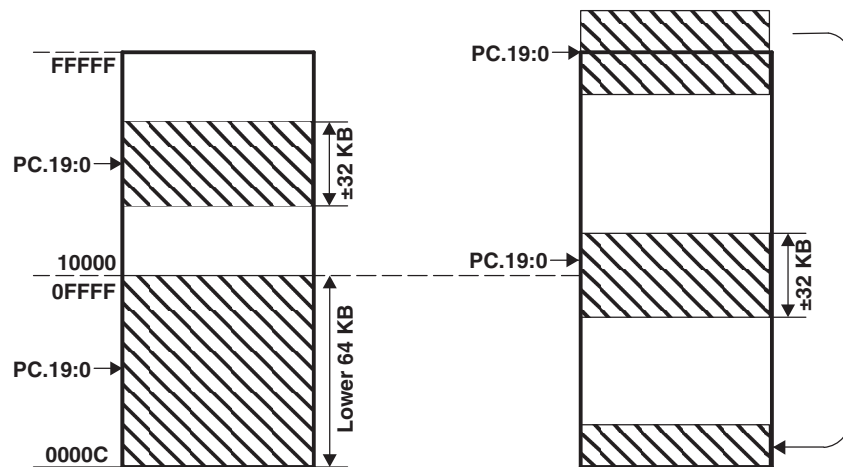
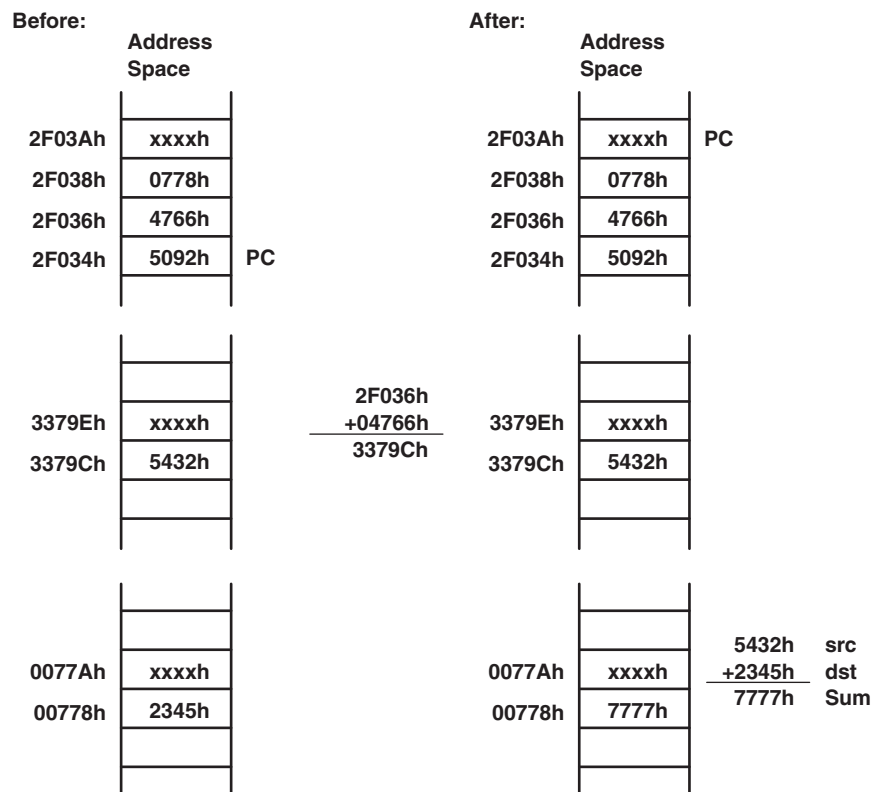


Figure 4-21. Overflow and Underflow for Symbolic Mode

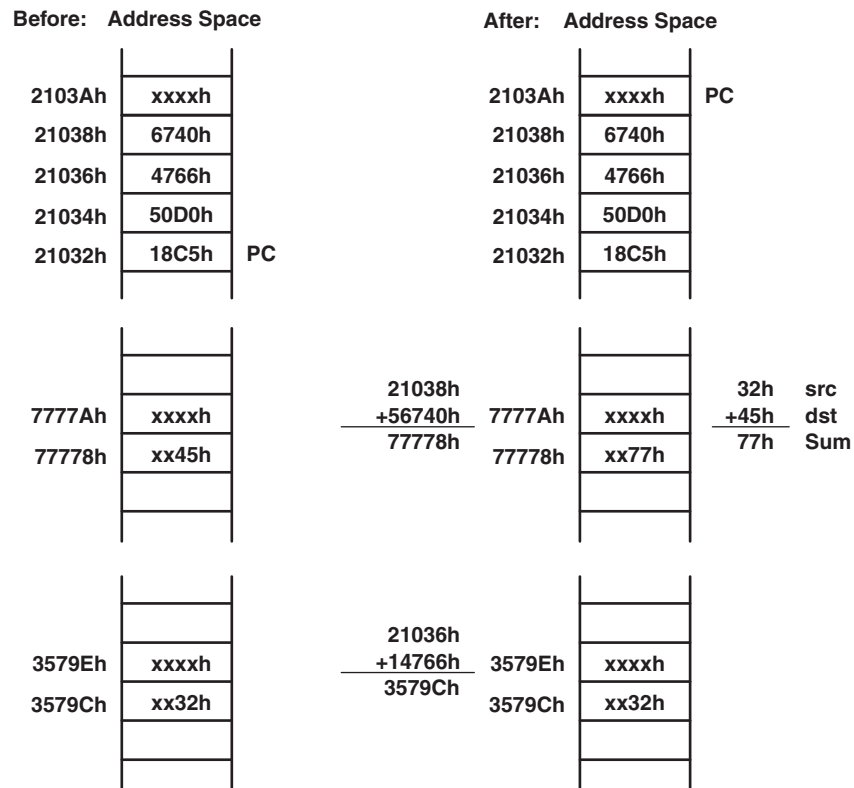
- Length:** Two or three words
- Operation:** The sign-extended 16-bit index in the next word after the instruction is added to the 20 bits of the PC. This delivers a 20-bit address, which points to an address in the range 0 to FFFFFh. The operand is the content of the addressed memory location.
- Comment:** Valid for source and destination. The assembler calculates the PC index and inserts it
- Example:** `ADD.W EDE, &TONI ;`
 This instruction adds the 16-bit data contained in source word EDE and destination word TONI and places the 16-bit result into the destination word TONI. For this example, the instruction is located at address 2F034h.
- Source:** Word EDE at address 3379Ch, pointed to by PC + 4766h, which is the 16-bit result of 3379Ch – 2F036h = 04766h. Address 2F036h is the location of the index for this example.
- Destination:** Word TONI located at address 00778h pointed to by the absolute address 00778h



4.4.3.3 MSP430X Instruction With Symbolic Mode

When using an MSP430X instruction with Symbolic mode, the operand can be located anywhere in the range of PC + 19 bits.

- Length:** Three or four words
- Operation:** The operand address is the sum of the 20-bit PC and the 20-bit index. The 4 MSBs of the index are contained in the extension word; the 16 LSBs are contained in the word following the instruction.
- Comment:** Valid for source and destination. The assembler calculates the register index and inserts it.
- Example:** `ADDX.B EDE,TONI ;`
This instruction adds the 8-bit data contained in source byte EDE and destination byte TONI and places the result into the destination byte TONI.
- Source:** Byte EDE located at address 3579Ch, pointed to by PC + 14766h, is the 20-bit result of 3579Ch – 21036h = 14766h. Address 21036h is the address of the index in this example.
- Destination:** Byte TONI located at address 77778h, pointed to by PC + 56740h, is the 20-bit result of 77778h – 21038h = 56740h. Address 21038h is the address of the index in this example.



4.4.4 Absolute Mode

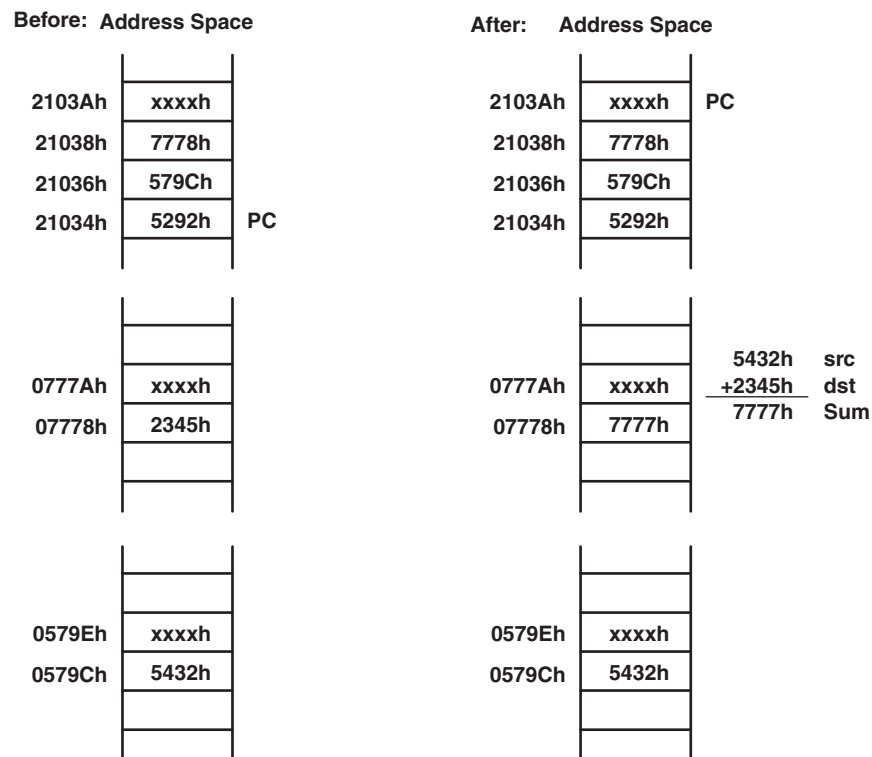
The Absolute mode uses the contents of the word following the instruction as the address of the operand. The Absolute mode has two addressing possibilities:

- Absolute mode in lower 64-KB memory
- MSP430X instruction with Absolute mode

4.4.4.1 Absolute Mode in Lower 64 KB

If an MSP430 instruction is used with Absolute addressing mode, the absolute address is a 16-bit value and, therefore, points to an address in the lower 64 KB of the memory range. The address is calculated as an index from 0 and is stored in the word following the instruction. The RAM and the peripheral registers can be accessed this way and existing MSP430 software is usable without modifications.

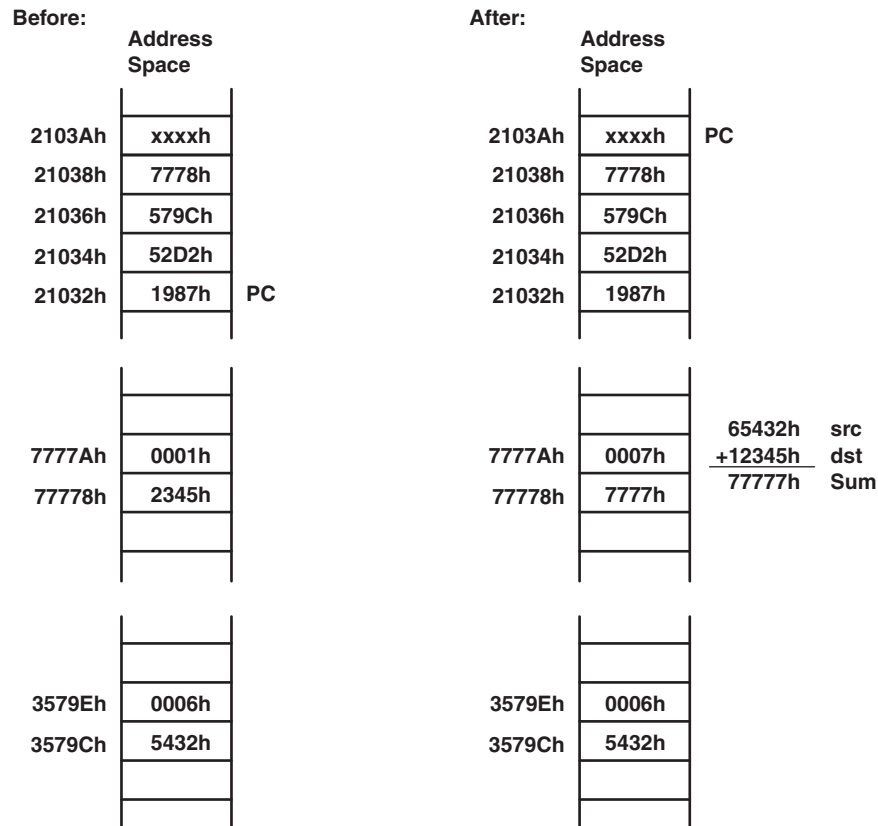
Length:	Two or three words
Operation:	The operand is the content of the addressed memory location.
Comment:	Valid for source and destination. The assembler calculates the index from 0 and inserts it.
Example:	<pre>ADD.W &EDE, &TONI ;</pre> <p>This instruction adds the 16-bit data contained in the absolute source and destination addresses and places the result into the destination.</p>
Source:	Word at address EDE
Destination:	Word at address TONI



4.4.4.2 MSP430X Instruction With Absolute Mode

If an MSP430X instruction is used with Absolute addressing mode, the absolute address is a 20-bit value and, therefore, points to any address in the memory range. The address value is calculated as an index from 0. The 4 MSBs of the index are contained in the extension word, and the 16 LSBs are contained in the word following the instruction.

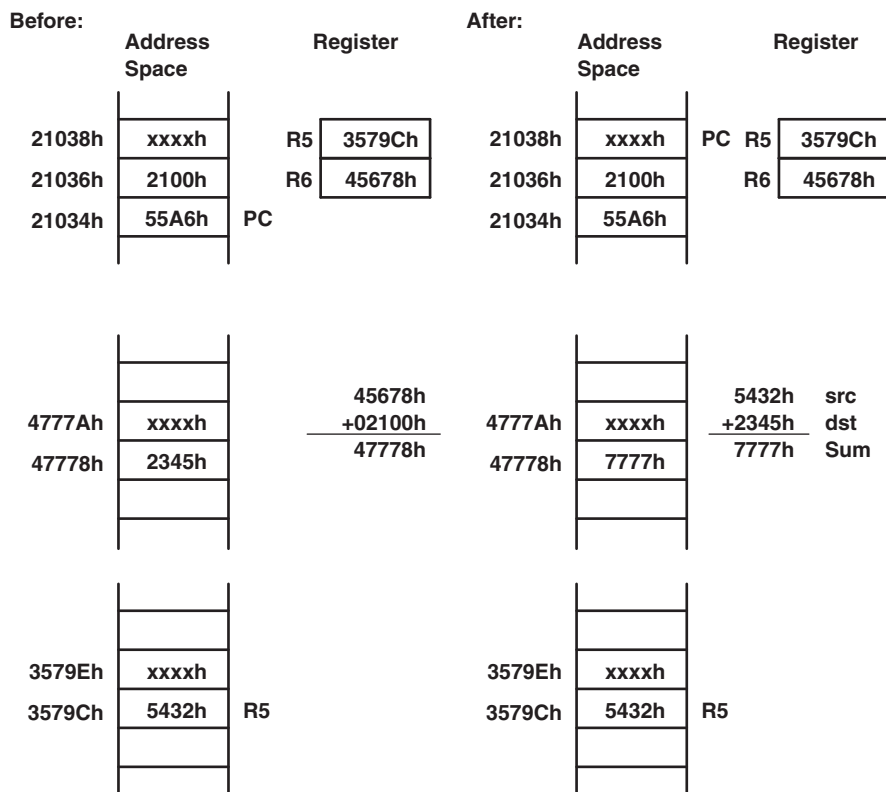
Length:	Three or four words
Operation:	The operand is the content of the addressed memory location.
Comment:	Valid for source and destination. The assembler calculates the index from 0 and inserts it.
Example:	<pre>ADDX.A &EDE, &TONI ;</pre> <p>This instruction adds the 20-bit data contained in the absolute source and destination addresses and places the result into the destination.</p>
Source:	Two words beginning with address EDE
Destination:	Two words beginning with address TONI



4.4.5 Indirect Register Mode

The Indirect Register mode uses the contents of the CPU register Rsrc as the source operand. The Indirect Register mode always uses a 20-bit address.

Length:	One, two, or three words
Operation:	The operand is the content the addressed memory location. The source register Rsrc is not modified.
Comment:	Valid only for the source operand. The substitute for the destination operand is 0(Rdst).
Example:	<p>ADDX.W @R5, 2100h(R6)</p> <p>This instruction adds the two 16-bit operands contained in the source and the destination addresses and places the result into the destination.</p>
Source:	Word pointed to by R5. R5 contains address 3579Ch for this example.
Destination:	Word pointed to by R6 + 2100h, which results in address 45678h + 2100h = 7778h



4.4.6 Indirect Autoincrement Mode

The Indirect Autoincrement mode uses the contents of the CPU register Rsrc as the source operand. Rsrc is then automatically incremented by 1 for byte instructions, by 2 for word instructions, and by 4 for address-word instructions immediately after accessing the source operand. If the same register is used for source and destination, it contains the incremented address for the destination access. Indirect Autoincrement mode always uses 20-bit addresses.

Length: One, two, or three words

Operation: The operand is the content of the addressed memory location.

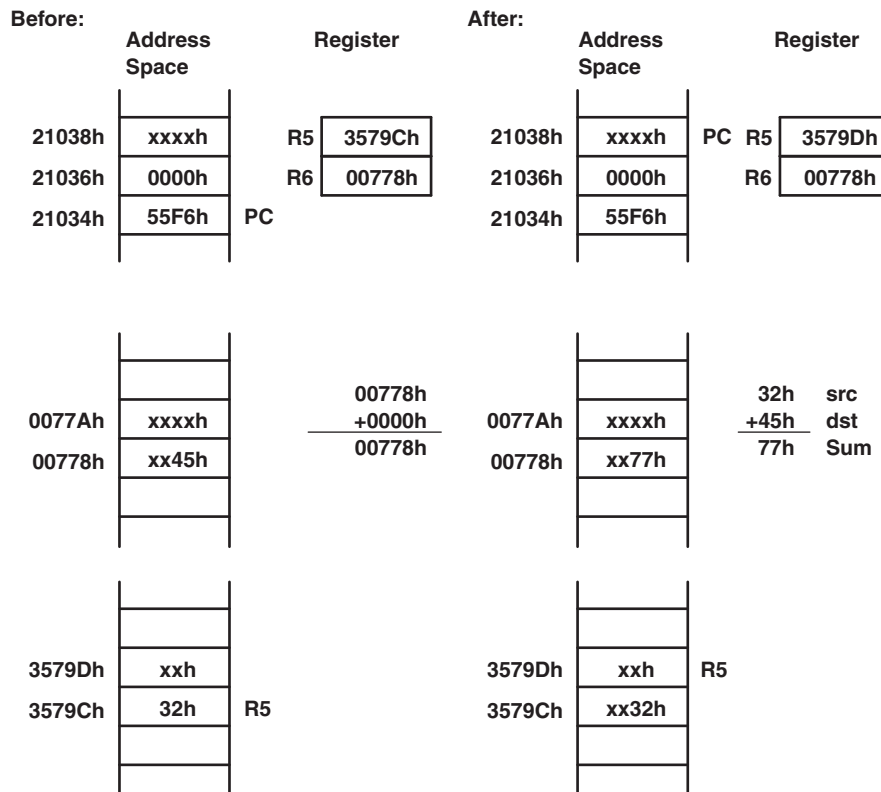
Comment: Valid only for the source operand

Example: `ADD.B @R5+, 0(R6)`

This instruction adds the 8-bit data contained in the source and the destination addresses and places the result into the destination.

Source: Byte pointed to by R5. R5 contains address 3579Ch for this example.

Destination: Byte pointed to by R6 + 0h, which results in address 0778h for this example



4.4.7 Immediate Mode

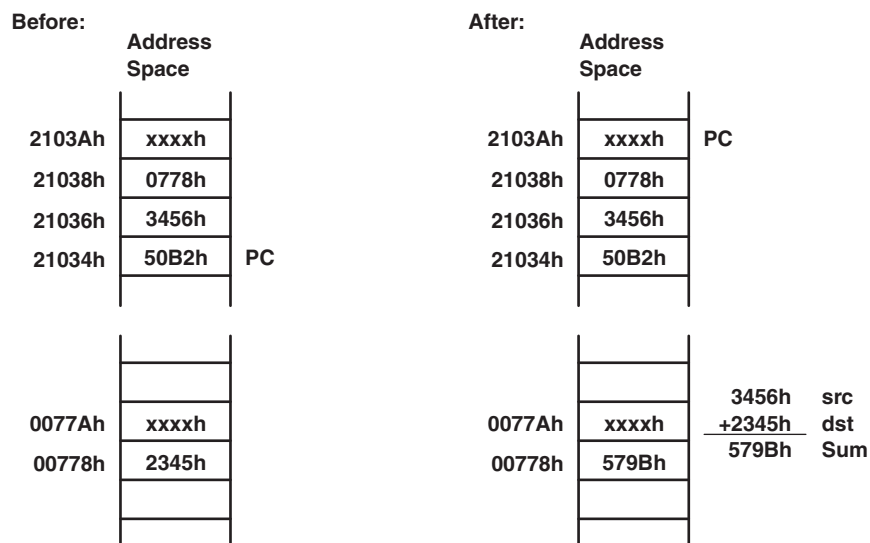
The Immediate mode allows accessing constants as operands by including the constant in the memory location following the instruction. The PC is used with the Indirect Autoincrement mode. The PC points to the immediate value contained in the next word. After the fetching of the immediate operand, the PC is incremented by 2 for byte, word, or address-word instructions. The Immediate mode has two addressing possibilities:

- 8-bit or 16-bit constants with MSP430 instructions
- 20-bit constants with MSP430X instruction

4.4.7.1 MSP430 Instructions With Immediate Mode

If an MSP430 instruction is used with Immediate addressing mode, the constant is an 8- or 16-bit value and is stored in the word following the instruction.

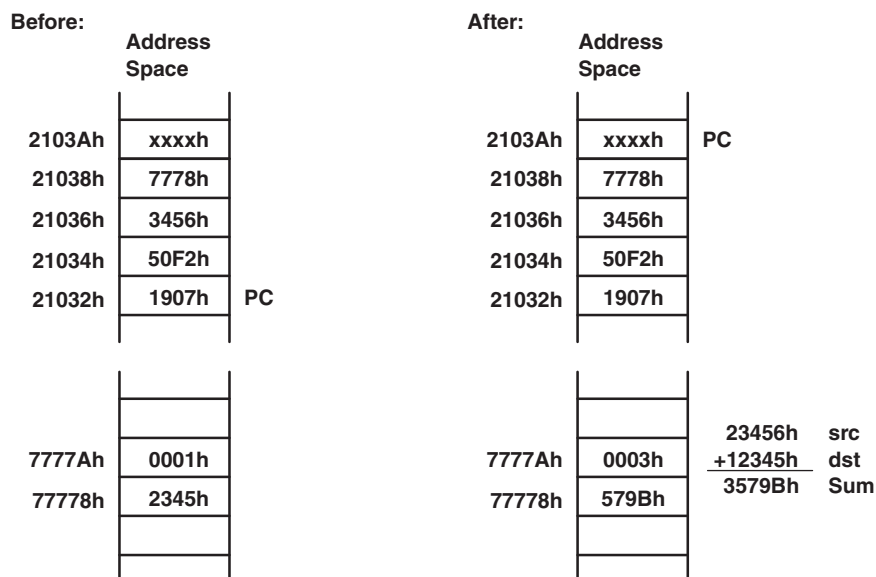
Length:	Two or three words. One word less if a constant of the constant generator can be used for the immediate operand.
Operation:	The 16-bit immediate source operand is used together with the 16-bit destination operand.
Comment:	Valid only for the source operand
Example:	ADD #3456h, &TONI This instruction adds the 16-bit immediate operand 3456h to the data in the destination address TONI.
Source:	16-bit immediate value 3456h
Destination:	Word at address TONI



4.4.7.2 MSP430X Instructions With Immediate Mode

If an MSP430X instruction is used with Immediate addressing mode, the constant is a 20-bit value. The 4 MSBs of the constant are stored in the extension word, and the 16 LSBs of the constant are stored in the word following the instruction.

Length:	Three or four words. One word less if a constant of the constant generator can be used for the immediate operand.
Operation:	The 20-bit immediate source operand is used together with the 20-bit destination operand.
Comment:	Valid only for the source operand
Example:	ADDX.A #23456h, &TONI ; This instruction adds the 20-bit immediate operand 23456h to the data in the destination address TONI.
Source:	20-bit immediate value 23456h
Destination:	Two words beginning with address TONI



4.5 MSP430 and MSP430X Instructions

MSP430 instructions are the 27 implemented instructions of the MSP430 CPU. These instructions are used throughout the 1MB memory range unless their 16-bit capability is exceeded. The MSP430X instructions are used when the addressing of the operands or the data length exceeds the 16-bit capability of the MSP430 instructions.

There are three possibilities when choosing between an MSP430 and MSP430X instruction:

- To use only the MSP430 instructions – The only exceptions are the CALLA and the RETA instruction. This can be done if a few, simple rules are met:
 - Place all constants, variables, arrays, tables, and data in the lower 64 KB. This allows the use of MSP430 instructions with 16-bit addressing for all data accesses. No pointers with 20-bit addresses are needed.
 - Place subroutine constants immediately after the subroutine code. This allows the use of the symbolic addressing mode with its 16-bit index to reach addresses within the range of PC + 32 KB.
- To use only MSP430X instructions – The disadvantages of this method are the reduced speed due to the additional CPU cycles and the increased program space due to the necessary extension word for any double-operand instruction.
- Use the best fitting instruction where needed.

[Section 4.5.1](#) lists and describes the MSP430 instructions, and [Section 4.5.2](#) lists and describes the MSP430X instructions.

4.5.1 MSP430 Instructions

The MSP430 instructions can be used, regardless if the program resides in the lower 64 KB or beyond it. The only exceptions are the instructions CALL and RET, which are limited to the lower 64-KB address range. CALLA and RETA instructions have been added to the MSP430X CPU to handle subroutines in the entire address range with no code size overhead.

4.5.1.1 MSP430 Double-Operand (Format I) Instructions

[Figure 4-22](#) shows the format of the MSP430 double-operand instructions. Source and destination words are appended for the Indexed, Symbolic, Absolute, and Immediate modes. [Table 4-4](#) lists the 12 MSP430 double-operand instructions.

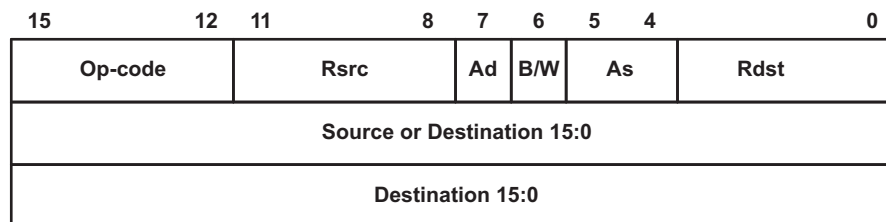


Figure 4-22. MSP430 Double-Operand Instruction Format

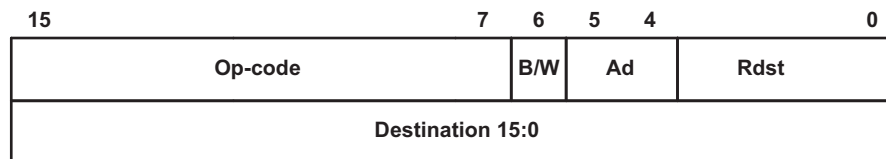
Table 4-4. MSP430 Double-Operand Instructions

Mnemonic	S-Reg, D-Reg	Operation	Status Bits ⁽¹⁾			
			V	N	Z	C
MOV (.B)	src,dst	src → dst	–	–	–	–
ADD (.B)	src,dst	src + dst → dst	*	*	*	*
ADDC (.B)	src,dst	src + dst + C → dst	*	*	*	*
SUB (.B)	src,dst	dst + .not.src + 1 → dst	*	*	*	*
SUBC (.B)	src,dst	dst + .not.src + C → dst	*	*	*	*
CMP (.B)	src,dst	dst - src	*	*	*	*
DADD (.B)	src,dst	src + dst + C → dst (decimally)	*	*	*	*
BIT (.B)	src,dst	src .and. dst	0	*	*	Z
BIC (.B)	src,dst	.not.src .and. dst → dst	–	–	–	–
BIS (.B)	src,dst	src .or. dst → dst	–	–	–	–
XOR (.B)	src,dst	src .xor. dst → dst	*	*	*	Z
AND (.B)	src,dst	src .and. dst → dst	0	*	*	Z

⁽¹⁾ * = Status bit is affected.
 – = Status bit is not affected.
 0 = Status bit is cleared.
 1 = Status bit is set.

4.5.1.2 MSP430 Single-Operand (Format II) Instructions

Figure 4-23 shows the format for MSP430 single-operand instructions, except RETI. The destination word is appended for the Indexed, Symbolic, Absolute, and Immediate modes. Table 4-5 lists the seven single-operand instructions.

**Figure 4-23. MSP430 Single-Operand Instructions****Table 4-5. MSP430 Single-Operand Instructions**

Mnemonic	S-Reg, D-Reg	Operation	Status Bits ⁽¹⁾			
			V	N	Z	C
RRC (.B)	dst	C → MSB →.....LSB → C	0	*	*	*
RRA (.B)	dst	MSB → MSB →....LSB → C	0	*	*	*
PUSH (.B)	src	SP - 2 → SP, src → SP	–	–	–	–
SWPB	dst	bit 15...bit 8 ↔ bit 7...bit 0	–	–	–	–
CALL	dst	Call subroutine in lower 64 KB	–	–	–	–
RETI		TOS → SR, SP + 2 → SP TOS → PC, SP + 2 → SP	*	*	*	*
SXT	dst	Register mode: bit 7 → bit 8...bit 19 Other modes: bit 7 → bit 8...bit 15	0	*	*	Z

⁽¹⁾ * = Status bit is affected.
 – = Status bit is not affected.
 0 = Status bit is cleared.
 1 = Status bit is set.

4.5.1.3 Jump Instructions

Figure 4-24 shows the format for MSP430 and MSP430X jump instructions. The signed 10-bit word offset of the jump instruction is multiplied by two, sign-extended to a 20-bit address, and added to the 20-bit PC. This allows jumps in a range of -511 to $+512$ words relative to the PC in the full 20-bit address space. Jumps do not affect the status bits. Table 4-6 lists and describes the eight jump instructions.

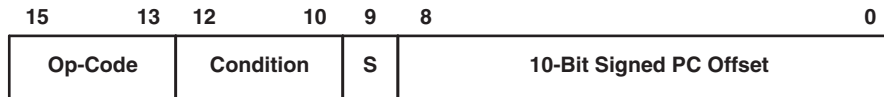


Figure 4-24. Format of Conditional Jump Instructions

Table 4-6. Conditional Jump Instructions

Mnemonic	S-Reg, D-Reg	Operation
JEQ, JZ	Label	Jump to label if zero bit is set
JNE, JNZ	Label	Jump to label if zero bit is reset
JC	Label	Jump to label if carry bit is set
JNC	Label	Jump to label if carry bit is reset
JN	Label	Jump to label if negative bit is set
JGE	Label	Jump to label if (N .XOR. V) = 0
JL	Label	Jump to label if (N .XOR. V) = 1
JMP	Label	Jump to label unconditionally

4.5.1.4 Emulated Instructions

In addition to the MSP430 and MSP430X instructions, emulated instructions are instructions that make code easier to write and read, but do not have op-codes themselves. Instead, they are replaced automatically by the assembler with a core instruction. There is no code or performance penalty for using emulated instructions. The emulated instructions are listed in Table 4-7.

Table 4-7. Emulated Instructions

Instruction	Explanation	Emulation	Status Bits ⁽¹⁾			
			V	N	Z	C
ADC(.B) dst	Add Carry to dst	ADDC(.B) #0, dst	*	*	*	*
BR dst	Branch indirectly dst	MOV dst, PC	-	-	-	-
CLR(.B) dst	Clear dst	MOV(.B) #0, dst	-	-	-	-
CLRC	Clear Carry bit	BIC #1, SR	-	-	-	0
CLRN	Clear Negative bit	BIC #4, SR	-	0	-	-
CLRZ	Clear Zero bit	BIC #2, SR	-	-	0	-
DADC(.B) dst	Add Carry to dst decimally	DADD(.B) #0, dst	*	*	*	*
DEC(.B) dst	Decrement dst by 1	SUB(.B) #1, dst	*	*	*	*
DECD(.B) dst	Decrement dst by 2	SUB(.B) #2, dst	*	*	*	*
DINT	Disable interrupt	BIC #8, SR	-	-	-	-
EINT	Enable interrupt	BIS #8, SR	-	-	-	-
INC(.B) dst	Increment dst by 1	ADD(.B) #1, dst	*	*	*	*
INCD(.B) dst	Increment dst by 2	ADD(.B) #2, dst	*	*	*	*
INV(.B) dst	Invert dst	XOR(.B) #-1, dst	*	*	*	*

⁽¹⁾ * = Status bit is affected.
 - = Status bit is not affected.
 0 = Status bit is cleared.
 1 = Status bit is set.

Table 4-7. Emulated Instructions (continued)

Instruction	Explanation	Emulation	Status Bits ⁽¹⁾			
			V	N	Z	C
NOP	No operation	MOV R3,R3	–	–	–	–
POP dst	Pop operand from stack	MOV @SP+,dst	–	–	–	–
RET	Return from subroutine	MOV @SP+,PC	–	–	–	–
RLA(.B) dst	Shift left dst arithmetically	ADD(.B) dst,dst	*	*	*	*
RLC(.B) dst	Shift left dst logically through Carry	ADDC(.B) dst,dst	*	*	*	*
SBC(.B) dst	Subtract Carry from dst	SUBC(.B) #0,dst	*	*	*	*
SETC	Set Carry bit	BIS #1,SR	–	–	–	1
SETN	Set Negative bit	BIS #4,SR	–	1	–	–
SETZ	Set Zero bit	BIS #2,SR	–	–	1	–
TST(.B) dst	Test dst (compare with 0)	CMP(.B) #0,dst	0	*	*	1

4.5.1.5 MSP430 Instruction Execution

The number of CPU clock cycles required for an instruction depends on the instruction format and the addressing modes used – not the instruction itself. The number of clock cycles refers to MCLK.

Instruction Cycles and Length for Interrupt, Reset, and Subroutines

Table 4-8 lists the length and the CPU cycles for reset, interrupts, and subroutines.

Table 4-8. Interrupt, Return, and Reset Cycles and Length

Action	Execution Time (MCLK Cycles)	Length of Instruction (Words)
Return from interrupt RETI	5	1
Return from subroutine RET	4	1
Interrupt request service (cycles needed before first instruction)	6	–
WDT reset	4	–
Reset (RST/NMI)	4	–

Format II (Single-Operand) Instruction Cycles and Lengths

Table 4-9 lists the length and the CPU cycles for all addressing modes of the MSP430 single-operand instructions.

Table 4-9. MSP430 Format II Instruction Cycles and Length

Addressing Mode	No. of Cycles			Length of Instruction	Example
	RRA, RRC SWPB, SXT	PUSH	CALL		
Rn	1	3	4	1	SWPB R5
@Rn	3	3	4	1	RRC @R9
@Rn+	3	3	4	1	SWPB @R10+
#N	N/A	3	4	2	CALL #LABEL
X(Rn)	4	4	5	2	CALL 2(R7)
EDE	4	4	5	2	PUSH EDE
&EDE	4	4	6	2	SXT &EDE

Jump Instructions Cycles and Lengths

All jump instructions require one code word and take two CPU cycles to execute, regardless of whether the jump is taken or not.

Format I (Double-Operand) Instruction Cycles and Lengths

Table 4-10 lists the length and CPU cycles for all addressing modes of the MSP430 Format I instructions.

Table 4-10. MSP430 Format I Instructions Cycles and Length

Addressing Mode		No. of Cycles	Length of Instruction	Example
Source	Destination			
Rn	Rm	1	1	MOV R5, R8
	PC	3	1	BR R9
	x(Rm)	4 ⁽¹⁾	2	ADD R5, 4(R6)
	EDE	4 ⁽¹⁾	2	XOR R8, EDE
	&EDE	4 ⁽¹⁾	2	MOV R5, &EDE
@Rn	Rm	2	1	AND @R4, R5
	PC	4	1	BR @R8
	x(Rm)	5 ⁽¹⁾	2	XOR @R5, 8(R6)
	EDE	5 ⁽¹⁾	2	MOV @R5, EDE
	&EDE	5 ⁽¹⁾	2	XOR @R5, &EDE
@Rn+	Rm	2	1	ADD @R5+, R6
	PC	4	1	BR @R9+
	x(Rm)	5 ⁽¹⁾	2	XOR @R5, 8(R6)
	EDE	5 ⁽¹⁾	2	MOV @R9+, EDE
	&EDE	5 ⁽¹⁾	2	MOV @R9+, &EDE
#N	Rm	2	2	MOV #20, R9
	PC	3	2	BR #2AEh
	x(Rm)	5 ⁽¹⁾	3	MOV #0300h, 0(SP)
	EDE	5 ⁽¹⁾	3	ADD #33, EDE
	&EDE	5 ⁽¹⁾	3	ADD #33, &EDE
x(Rn)	Rm	3	2	MOV 2(R5), R7
	PC	5	2	BR 2(R6)
	TONI	6 ⁽¹⁾	3	MOV 4(R7), TONI
	x(Rm)	6 ⁽¹⁾	3	ADD 4(R4), 6(R9)
	&TONI	6 ⁽¹⁾	3	MOV 2(R4), &TONI
EDE	Rm	3	2	AND EDE, R6
	PC	5	2	BR EDE
	TONI	6 ⁽¹⁾	3	CMP EDE, TONI
	x(Rm)	6 ⁽¹⁾	3	MOV EDE, 0(SP)
	&TONI	6 ⁽¹⁾	3	MOV EDE, &TONI
&EDE	Rm	3	2	MOV &EDE, R8
	PC	5	2	BR &EDE
	TONI	6 ⁽¹⁾	3	MOV &EDE, TONI
	x(Rm)	6 ⁽¹⁾	3	MOV &EDE, 0(SP)
	&TONI	6 ⁽¹⁾	3	MOV &EDE, &TONI

⁽¹⁾ MOV, BIT, and CMP instructions execute in one fewer cycle.

4.5.2 MSP430X Extended Instructions

The extended MSP430X instructions give the MSP430X CPU full access to its 20-bit address space. Most MSP430X instructions require an additional word of op-code called the extension word. Some extended instructions do not require an additional word and are noted in the instruction description. All addresses, indexes, and immediate numbers have 20-bit values when preceded by the extension word.

There are two types of extension words:

- Register or register mode for Format I instructions and register mode for Format II instructions
- Extension word for all other address mode combinations

4.5.2.1 Register Mode Extension Word

The register mode extension word is shown in [Figure 4-25](#) and described in [Table 4-11](#). An example is shown in [Figure 4-27](#).

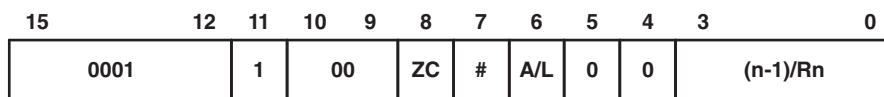


Figure 4-25. Extension Word for Register Modes

Table 4-11. Description of the Extension Word Bits for Register Mode

Bit	Description															
15:11	Extension word op-code. Op-codes 1800h to 1FFFh are extension words.															
10:9	Reserved															
ZC	Zero carry 0 The executed instruction uses the status of the carry bit C. 1 The executed instruction uses the carry bit as 0. The carry bit is defined by the result of the final operation after instruction execution.															
#	Repetition 0 The number of instruction repetitions is set by extension word bits 3:0. 1 The number of instruction repetitions is defined by the value of the four LSBs of Rn. See description for bits 3:0.															
A/L	Data length extension. Together with the B/W bits of the following MSP430 instruction, the AL bit defines the used data length of the instruction. <table border="1" style="width: 100%; border-collapse: collapse; margin-top: 5px;"> <thead> <tr> <th style="text-align: left;">A/L</th> <th style="text-align: left;">B/W</th> <th style="text-align: left;">Comment</th> </tr> </thead> <tbody> <tr> <td>0</td> <td>0</td> <td>Reserved</td> </tr> <tr> <td>0</td> <td>1</td> <td>20-bit address word</td> </tr> <tr> <td>1</td> <td>0</td> <td>16-bit word</td> </tr> <tr> <td>1</td> <td>1</td> <td>8-bit byte</td> </tr> </tbody> </table>	A/L	B/W	Comment	0	0	Reserved	0	1	20-bit address word	1	0	16-bit word	1	1	8-bit byte
A/L	B/W	Comment														
0	0	Reserved														
0	1	20-bit address word														
1	0	16-bit word														
1	1	8-bit byte														
5:4	Reserved															
3:0	Repetition count # = 0 These four bits set the repetition count n. These bits contain n – 1. # = 1 These four bits define the CPU register whose bits 3:0 set the number of repetitions. Rn.3:0 contain n – 1.															

4.5.2.2 Non-Register Mode Extension Word

The extension word for non-register modes is shown in [Figure 4-26](#) and described in [Table 4-12](#). An example is shown in [Figure 4-28](#).

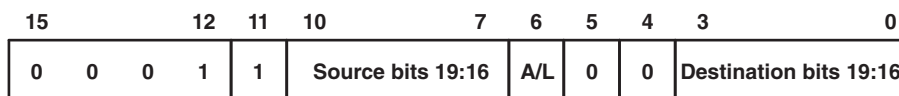


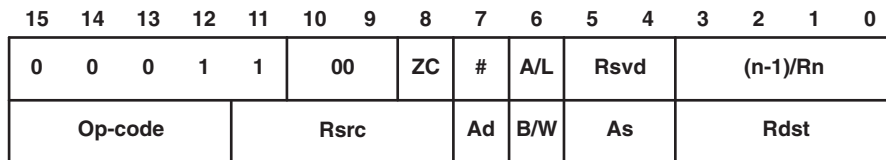
Figure 4-26. Extension Word for Non-Register Modes

Table 4-12. Description of Extension Word Bits for Non-Register Modes

Bit	Description															
15:11	Extension word op-code. Op-codes 1800h to 1FFFh are extension words.															
Source Bits 19:16	The four MSBs of the 20-bit source. Depending on the source addressing mode, these four MSBs may belong to an immediate operand, an index, or to an absolute address.															
A/L	Data length extension. Together with the B/W bits of the following MSP430 instruction, the AL bit defines the used data length of the instruction. <table border="1"> <thead> <tr> <th>A/L</th> <th>B/W</th> <th>Comment</th> </tr> </thead> <tbody> <tr> <td>0</td> <td>0</td> <td>Reserved</td> </tr> <tr> <td>0</td> <td>1</td> <td>20-bit address word</td> </tr> <tr> <td>1</td> <td>0</td> <td>16-bit word</td> </tr> <tr> <td>1</td> <td>1</td> <td>8-bit byte</td> </tr> </tbody> </table>	A/L	B/W	Comment	0	0	Reserved	0	1	20-bit address word	1	0	16-bit word	1	1	8-bit byte
A/L	B/W	Comment														
0	0	Reserved														
0	1	20-bit address word														
1	0	16-bit word														
1	1	8-bit byte														
5:4	Reserved															
Destination Bits 19:16	The four MSBs of the 20-bit destination. Depending on the destination addressing mode, these four MSBs may belong to an index or to an absolute address.															

NOTE: B/W and A/L bit settings for SWPBX and SXTX

A/L	B/W	
0	0	SWPBX.A, SXTX.A
0	1	N/A
1	0	SWPB.W, SXTX.W
1	1	N/A



XORX .A R9, R8

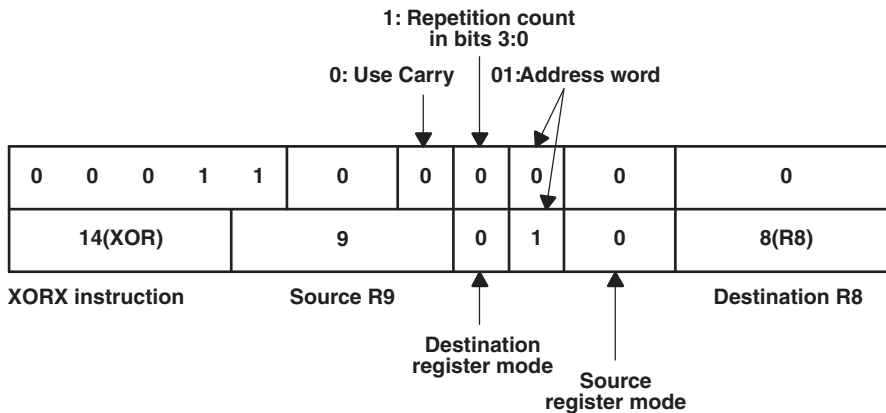
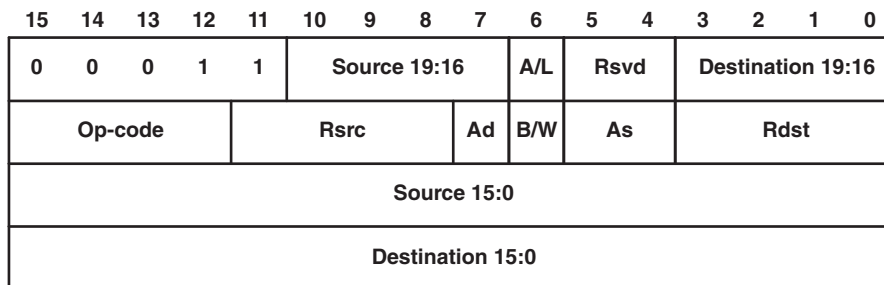


Figure 4-27. Example for Extended Register or Register Instruction



XORX.A #12345h, 45678h(R15)

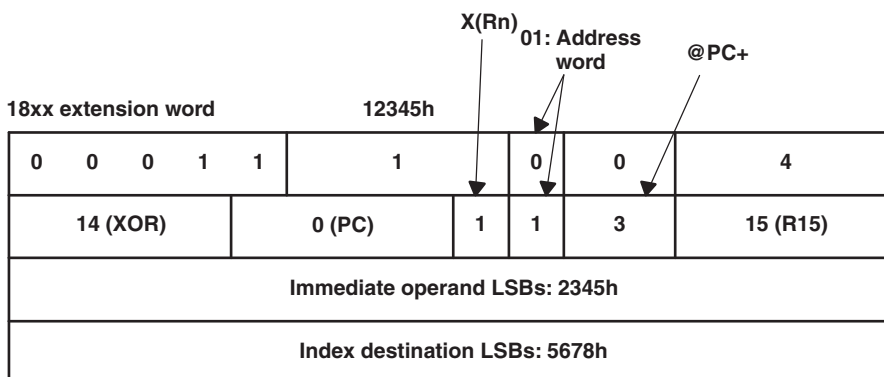


Figure 4-28. Example for Extended Immediate or Indexed Instruction

4.5.2.3 Extended Double-Operand (Format I) Instructions

All 12 double-operand instructions have extended versions as listed in [Table 4-13](#).

Table 4-13. Extended Double-Operand Instructions

Mnemonic	Operands	Operation	Status Bits ⁽¹⁾			
			V	N	Z	C
MOVX(.B, .A)	src,dst	src → dst	–	–	–	–
ADDX(.B, .A)	src,dst	src + dst → dst	*	*	*	*
ADDCX(.B, .A)	src,dst	src + dst + C → dst	*	*	*	*
SUBX(.B, .A)	src,dst	dst + .not.src + 1 → dst	*	*	*	*
SUBCX(.B, .A)	src,dst	dst + .not.src + C → dst	*	*	*	*
CMPX(.B, .A)	src,dst	dst – src	*	*	*	*
DADDX(.B, .A)	src,dst	src + dst + C → dst (decimal)	*	*	*	*
BITX(.B, .A)	src,dst	src .and. dst	0	*	*	Z
BICX(.B, .A)	src,dst	.not.src .and. dst → dst	–	–	–	–
BISX(.B, .A)	src,dst	src .or. dst → dst	–	–	–	–
XORX(.B, .A)	src,dst	src .xor. dst → dst	*	*	*	Z
ANDX(.B, .A)	src,dst	src .and. dst → dst	0	*	*	Z

⁽¹⁾ * = Status bit is affected.
 – = Status bit is not affected.
 0 = Status bit is cleared.
 1 = Status bit is set.

The four possible addressing combinations for the extension word for Format I instructions are shown in Figure 4-29.

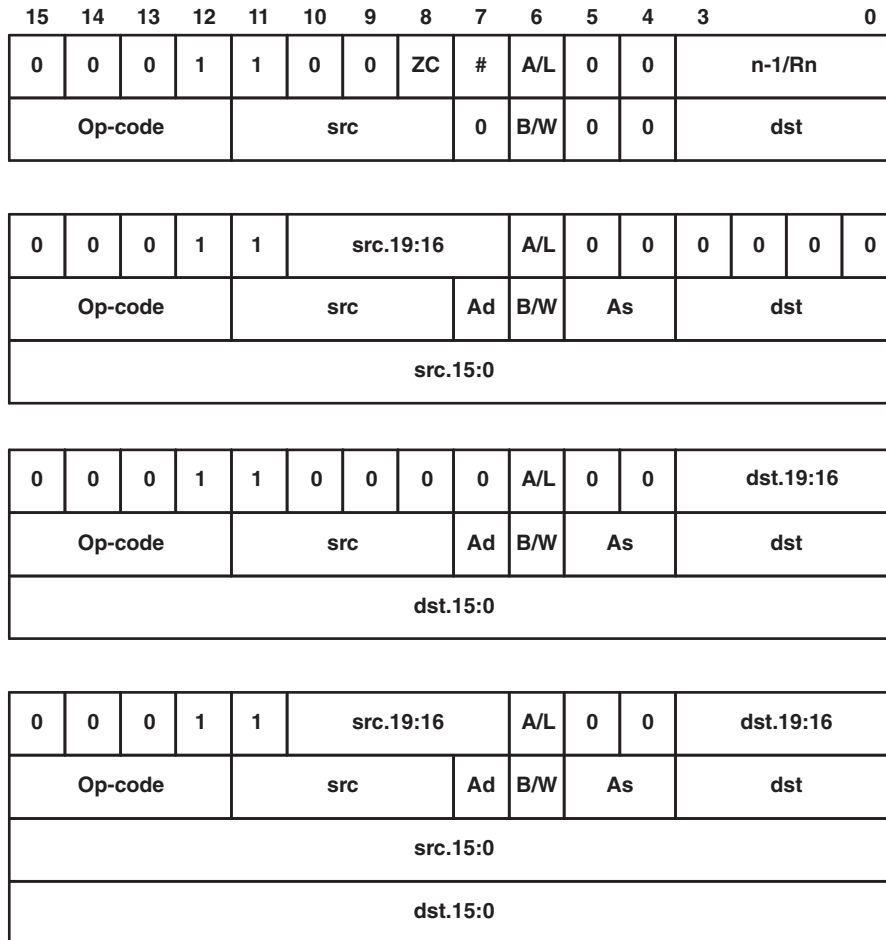


Figure 4-29. Extended Format I Instruction Formats

If the 20-bit address of a source or destination operand is located in memory, not in a CPU register, then two words are used for this operand as shown in Figure 4-30.

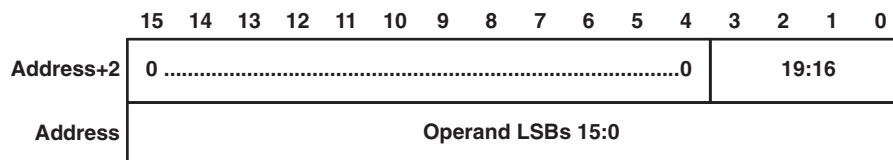


Figure 4-30. 20-Bit Addresses in Memory

4.5.2.4 Extended Single-Operand (Format II) Instructions

Extended MSP430X Format II instructions are listed in [Table 4-14](#).

Table 4-14. Extended Single-Operand Instructions

Mnemonic	Operands	Operation	n	Status Bits ⁽¹⁾			
				V	N	Z	C
CALLA	dst	Call indirect to subroutine (20-bit address)		–	–	–	–
POPM .A	#n,Rdst	Pop n 20-bit registers from stack	1 to 16	–	–	–	–
POPM .W	#n,Rdst	Pop n 16-bit registers from stack	1 to 16	–	–	–	–
PUSHM .A	#n,Rsrc	Push n 20-bit registers to stack	1 to 16	–	–	–	–
PUSHM .W	#n,Rsrc	Push n 16-bit registers to stack	1 to 16	–	–	–	–
PUSHX (.B, .A)	src	Push 8-, 16-, or 20-bit source to stack		–	–	–	–
RRCM (.A)	#n,Rdst	Rotate right Rdst n bits through carry (16-, 20-bit register)	1 to 4	0	*	*	*
RRUM (.A)	#n,Rdst	Rotate right Rdst n bits unsigned (16-, 20-bit register)	1 to 4	0	*	*	*
RRAM (.A)	#n,Rdst	Rotate right Rdst n bits arithmetically (16-, 20-bit register)	1 to 4	0	*	*	*
RLAM (.A)	#n,Rdst	Rotate left Rdst n bits arithmetically (16-, 20-bit register)	1 to 4	*	*	*	*
RRCX (.B, .A)	dst	Rotate right dst through carry (8-, 16-, 20-bit data)	1	0	*	*	*
RRUX (.B, .A)	Rdst	Rotate right dst unsigned (8-, 16-, 20-bit)	1	0	*	*	*
RRAX (.B, .A)	dst	Rotate right dst arithmetically	1	0	*	*	*
SWPBX (.A)	dst	Exchange low byte with high byte	1	–	–	–	–
SXTX (.A)	Rdst	Bit7 → bit8 ... bit19	1	0	*	*	\bar{Z}
SXTX (.A)	dst	Bit7 → bit8 ... MSB	1	0	*	*	\bar{Z}

⁽¹⁾ * = Status bit is affected.
 – = Status bit is not affected.
 0 = Status bit is cleared.
 1 = Status bit is set.

The three possible addressing mode combinations for Format II instructions are shown in [Figure 4-31](#).

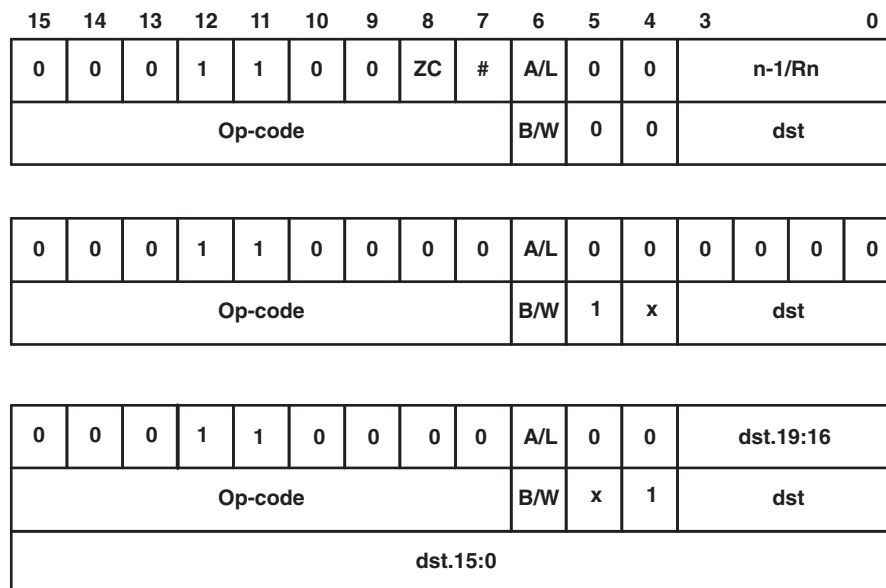


Figure 4-31. Extended Format II Instruction Format

Extended Format II Instruction Format Exceptions

Exceptions for the Format II instruction formats are shown in [Figure 4-32](#) through [Figure 4-35](#).

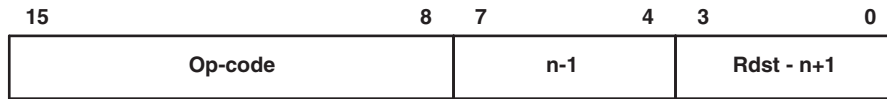


Figure 4-32. PUSHM and POPM Instruction Format

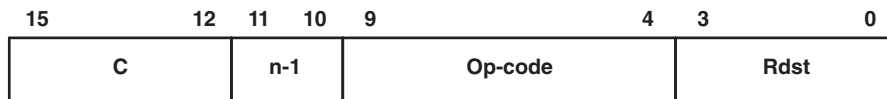


Figure 4-33. RRCM, RRAM, RRUM, and RLAM Instruction Format

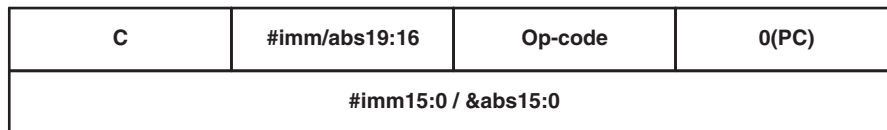
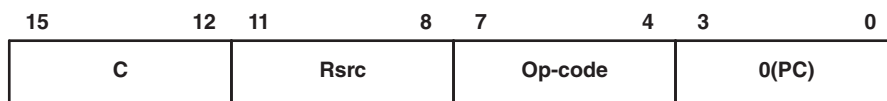


Figure 4-34. BRA Instruction Format

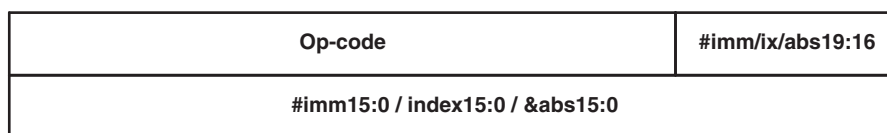
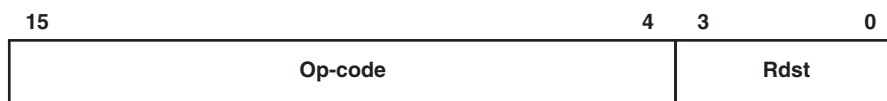


Figure 4-35. CALLA Instruction Format

4.5.2.5 Extended Emulated Instructions

The extended instructions together with the constant generator form the extended emulated instructions. [Table 4-15](#) lists the emulated instructions.

Table 4-15. Extended Emulated Instructions

Instruction	Explanation	Emulation
ADCX(.B, .A) dst	Add carry to dst	ADDCX(.B, .A) #0, dst
BRA dst	Branch indirect dst	MOVA dst, PC
RETA	Return from subroutine	MOVA @SP+, PC
CLRA Rdst	Clear Rdst	MOV #0, Rdst
CLRX(.B, .A) dst	Clear dst	MOVX(.B, .A) #0, dst
DADCX(.B, .A) dst	Add carry to dst decimally	DADDX(.B, .A) #0, dst
DECX(.B, .A) dst	Decrement dst by 1	SUBX(.B, .A) #1, dst
DECD Rdst	Decrement Rdst by 2	SUBA #2, Rdst
DECDX(.B, .A) dst	Decrement dst by 2	SUBX(.B, .A) #2, dst
INCX(.B, .A) dst	Increment dst by 1	ADDX(.B, .A) #1, dst
INCD Rdst	Increment Rdst by 2	ADDA #2, Rdst
INCDX(.B, .A) dst	Increment dst by 2	ADDX(.B, .A) #2, dst
INVX(.B, .A) dst	Invert dst	XORX(.B, .A) #-1, dst
RLAX(.B, .A) dst	Shift left dst arithmetically	ADDX(.B, .A) dst, dst
RLCX(.B, .A) dst	Shift left dst logically through carry	ADDCX(.B, .A) dst, dst
SBCX(.B, .A) dst	Subtract carry from dst	SUBCX(.B, .A) #0, dst
TSTA Rdst	Test Rdst (compare with 0)	CMPA #0, Rdst
TSTX(.B, .A) dst	Test dst (compare with 0)	CMPX(.B, .A) #0, dst
POPX dst	Pop to dst	MOVX(.B, .A) @SP+, dst

4.5.2.6 MSP430X Address Instructions

MSP430X address instructions are instructions that support 20-bit operands but have restricted addressing modes. The addressing modes are restricted to the Register mode and the Immediate mode, except for the MOVA instruction as listed in [Table 4-16](#). Restricting the addressing modes removes the need for the additional extension-word op-code improving code density and execution time. Address instructions should be used any time an MSP430X instruction is needed with the corresponding restricted addressing mode.

Table 4-16. Address Instructions, Operate on 20-Bit Register Data

Mnemonic	Operands	Operation	Status Bits ⁽¹⁾			
			V	N	Z	C
ADDA	Rsrc, Rdst #imm20, Rdst	Add source to destination register	*	*	*	*
MOVA	Rsrc, Rdst #imm20, Rdst z16(Rsrc), Rdst EDE, Rdst &abs20, Rdst @Rsrc, Rdst @Rsrc+, Rdst Rsrc, z16(Rdst) Rsrc, &abs20	Move source to destination	-	-	-	-
CMPA	Rsrc, Rdst #imm20, Rdst	Compare source to destination register	*	*	*	*
SUBA	Rsrc, Rdst #imm20, Rdst	Subtract source from destination register	*	*	*	*

⁽¹⁾ * = Status bit is affected.
 - = Status bit is not affected.
 0 = Status bit is cleared.
 1 = Status bit is set.

4.5.2.7 MSP430X Instruction Execution

The number of CPU clock cycles required for an MSP430X instruction depends on the instruction format and the addressing modes used, not the instruction itself. The number of clock cycles refers to MCLK.

MSP430X Format II (Single-Operand) Instruction Cycles and Lengths

Table 4-17 lists the length and the CPU cycles for all addressing modes of the MSP430X extended single-operand instructions.

Table 4-17. MSP430X Format II Instruction Cycles and Length

Instruction	Execution Cycles, Length of Instruction (Words)						
	Rn	@Rn	@Rn+	#N	X(Rn)	EDE	&EDE
RRAM	n, 1	–	–	–	–	–	–
RRCM	n, 1	–	–	–	–	–	–
RRUM	n, 1	–	–	–	–	–	–
RLAM	n, 1	–	–	–	–	–	–
PUSHM	2+n, 1	–	–	–	–	–	–
PUSHM.A	2+2n, 1	–	–	–	–	–	–
POPM	2+n, 1	–	–	–	–	–	–
POPM.A	2+2n, 1	–	–	–	–	–	–
CALLA	5, 1	6, 1	6, 1	5, 2	5 ⁽¹⁾ , 2	7, 2	7, 2
RRAX(.B)	1+n, 2	4, 2	4, 2	–	5, 3	5, 3	5, 3
RRAX.A	1+n, 2	6, 2	6, 2	–	7, 3	7, 3	7, 3
RRCX(.B)	1+n, 2	4, 2	4, 2	–	5, 3	5, 3	5, 3
RRCX.A	1+n, 2	6, 2	6, 2	–	7, 3	7, 3	7, 3
PUSHX(.B)	4, 2	4, 2	4, 2	4, 3	5 ⁽¹⁾ , 3	5, 3	5, 3
PUSHX.A	5, 2	6, 2	6, 2	5, 3	7 ⁽¹⁾ , 3	7, 3	7, 3
POPX(.B)	3, 2	–	–	–	5, 3	5, 3	5, 3
POPX.A	4, 2	–	–	–	7, 3	7, 3	7, 3

⁽¹⁾ Add one cycle when Rn = SP

MSP430X Format I (Double-Operand) Instruction Cycles and Lengths

Table 4-18 lists the length and CPU cycles for all addressing modes of the MSP430X extended Format I instructions.

Table 4-18. MSP430X Format I Instruction Cycles and Length

Addressing Mode		No. of Cycles		Length of Instruction	Examples
Source	Destination	.B/.W	.A	.B/.W/.A	
Rn	Rm ⁽¹⁾	2	2	2	BITX.B R5, R8
	PC	4	4	2	ADDX R9, PC
	x(Rm)	5 ⁽²⁾	7 ⁽³⁾	3	ANDX.A R5, 4(R6)
	EDE	5 ⁽²⁾	7 ⁽³⁾	3	XORX R8, EDE
	&EDE	5 ⁽²⁾	7 ⁽³⁾	3	BITX.W R5, &EDE
@Rn	Rm	3	4	2	BITX @R5, R8
	PC	5	6	2	ADDX @R9, PC
	x(Rm)	6 ⁽²⁾	9 ⁽³⁾	3	ANDX.A @R5, 4(R6)
	EDE	6 ⁽²⁾	9 ⁽³⁾	3	XORX @R8, EDE
	&EDE	6 ⁽²⁾	9 ⁽³⁾	3	BITX.B @R5, &EDE
@Rn+	Rm	3	4	2	BITX @R5+, R8
	PC	5	6	2	ADDX.A @R9+, PC
	x(Rm)	6 ⁽²⁾	9 ⁽³⁾	3	ANDX @R5+, 4(R6)
	EDE	6 ⁽²⁾	9 ⁽³⁾	3	XORX.B @R8+, EDE
	&EDE	6 ⁽²⁾	9 ⁽³⁾	3	BITX @R5+, &EDE
#N	Rm	3	3	3	BITX #20, R8
	PC ⁽⁴⁾	4	4	3	ADDX.A #FE000h, PC
	x(Rm)	6 ⁽²⁾	8 ⁽³⁾	4	ANDX #1234, 4(R6)
	EDE	6 ⁽²⁾	8 ⁽³⁾	4	XORX #A5A5h, EDE
	&EDE	6 ⁽²⁾	8 ⁽³⁾	4	BITX.B #12, &EDE
x(Rn)	Rm	4	5	3	BITX 2(R5), R8
	PC ⁽⁴⁾	6	7	3	SUBX.A 2(R6), PC
	TONI	7 ⁽²⁾	10 ⁽³⁾	4	ANDX 4(R7), 4(R6)
	x(Rm)	7 ⁽²⁾	10 ⁽³⁾	4	XORX.B 2(R6), EDE
	&TONI	7 ⁽²⁾	10 ⁽³⁾	4	BITX 8(SP), &EDE
EDE	Rm	4	5	3	BITX.B EDE, R8
	PC ⁽⁴⁾	6	7	3	ADDX.A EDE, PC
	TONI	7 ⁽²⁾	10 ⁽³⁾	4	ANDX EDE, 4(R6)
	x(Rm)	7 ⁽²⁾	10 ⁽³⁾	4	ANDX EDE, TONI
	&TONI	7 ⁽²⁾	10 ⁽³⁾	4	BITX EDE, &TONI
&EDE	Rm	4	5	3	BITX &EDE, R8
	PC ⁽⁴⁾	6	7	3	ADDX.A &EDE, PC
	TONI	7 ⁽²⁾	10 ⁽³⁾	4	ANDX.B &EDE, 4(R6)
	x(Rm)	7 ⁽²⁾	10 ⁽³⁾	4	XORX &EDE, TONI
	&TONI	7 ⁽²⁾	10 ⁽³⁾	4	BITX &EDE, &TONI

⁽¹⁾ Repeat instructions require n + 1 cycles, where n is the number of times the instruction is executed.

⁽²⁾ Reduce the cycle count by one for MOV, BIT, and CMP instructions.

⁽³⁾ Reduce the cycle count by two for MOV, BIT, and CMP instructions.

⁽⁴⁾ Reduce the cycle count by one for MOV, ADD, and SUB instructions.

MSP430X Address Instruction Cycles and Lengths

Table 4-19 lists the length and the CPU cycles for all addressing modes of the MSP430X address instructions.

Table 4-19. Address Instruction Cycles and Length

Addressing Mode		Execution Time (MCLK Cycles)		Length of Instruction (Words)		Example
Source	Destination	MOVA BRA	CMPA ADDA SUBA	MOVA	CMPA ADDA SUBA	
Rn	Rn	1	1	1	1	CMPA R5, R8
	PC	3	3	1	1	SUBA R9, PC
	x(Rm)	4	–	2	–	MOVA R5, 4 (R6)
	EDE	4	–	2	–	MOVA R8, EDE
	&EDE	4	–	2	–	MOVA R5, &EDE
@Rn	Rm	3	–	1	–	MOVA @R5, R8
	PC	5	–	1	–	MOVA @R9, PC
@Rn+	Rm	3	–	1	–	MOVA @R5+, R8
	PC	5	–	1	–	MOVA @R9+, PC
#N	Rm	2	3	2	2	CMPA #20, R8
	PC	3	3	2	2	SUBA #FE000h, PC
x(Rn)	Rm	4	–	2	–	MOVA 2(R5), R8
	PC	6	–	2	–	MOVA 2(R6), PC
EDE	Rm	4	–	2	–	MOVA EDE, R8
	PC	6	–	2	–	MOVA EDE, PC
&EDE	Rm	4	–	2	–	MOVA &EDE, R8
	PC	6	–	2	–	MOVA &EDE, PC

4.6 Instruction Set Description

Table 4-20 shows all available instructions:

Table 4-20. Instruction Map of MSP430X

	000	040	080	0C0	100	140	180	1C0	200	240	280	2C0	300	340	380	3C0
0xxx	MOVA, CMPA, ADDA, SUBA, RRCM, RRAM, RLAM, RRUM															
10xx	RRC	RRC. B	SWP B		RRA	RRA. B	SXT		PUS H	PUS H.B	CALL		RETI	CALL A		
14xx	PUSHM.A, POPM.A, PUSHM.W, POPM.W															
18xx	Extension word for Format I and Format II instructions															
1Cxx	Extension word for Format I and Format II instructions															
20xx	JNE, JNZ															
24xx	JEQ, JZ															
28xx	JNC															
2Cxx	JC															
30xx	JN															
34xx	JGE															
38xx	JL															
3Cxx	JMP															
4xxx	MOV, MOV.B															
5xxx	ADD, ADD.B															
6xxx	ADDC, ADDC.B															
7xxx	SUBC, SUBC.B															
8xxx	SUB, SUB.B															
9xxx	CMP, CMP.B															
Axxx	DADD, DADD.B															
Bxxx	BIT, BIT.B															
Cxxx	BIC, BIC.B															
Dxxx	BIS, BIS.B															
Exxx	XOR, XOR.B															
Fxxx	AND, AND.B															

4.6.1 Extended Instruction Binary Descriptions

Detailed MSP430X instruction binary descriptions are shown in the following tables.

Instruction	Instruction Group				src or data.19:16				Instruction Identifier				dst			
	15	14	13	12	11	10	9	8	7	6	5	4	3	2		1
MOVA	0	0	0	0	src				0	0	0	0	dst		MOVA @Rsrc,Rdst	
	0	0	0	0	src				0	0	0	1	dst		MOVA @Rsrc+,Rdst	
	0	0	0	0	&abs.19:16				0	0	1	0	dst		MOVA &abs20,Rdst	
	&abs.15:0															
	0	0	0	0	src				0	0	1	1	dst		MOVA x(Rsrc),Rdst	
	x.15:0															
	0	0	0	0	src				0	1	1	0	&abs.19:16		MOVA Rsrc,&abs20	
	&abs.15:0															
	0	0	0	0	src				0	1	1	1	dst		MOVA Rsrc,X(Rdst)	
	x.15:0															
CMPA	0	0	0	0	imm.19:16				1	0	0	0	dst		MOVA #imm20,Rdst	
	imm.15:0															
ADDA	0	0	0	0	imm.19:16				1	0	1	0	dst		CMPA #imm20,Rdst	
	imm.15:0															
SUBA	0	0	0	0	imm.19:16				1	0	1	1	dst		ADDA #imm20,Rdst	
	imm.15:0															
MOVA	0	0	0	0	src				1	1	0	0	dst		SUBA #imm20,Rdst	
CMPA	0	0	0	0	src				1	1	0	1	dst		MOVA Rsrc,Rdst	
ADDA	0	0	0	0	src				1	1	1	0	dst		CMPA Rsrc,Rdst	
SUBA	0	0	0	0	src				1	1	1	1	dst		ADDA Rsrc,Rdst	
					src				1	1	1	1	dst		SUBA Rsrc,Rdst	

Instruction	Instruction Group				Bit Loc.		Inst. ID		Instruction Identifier				dst		
	15	14	13	12	11	10	9	8	7	6	5	4	3	2	
RRCM.A	0	0	0	0	n-1	0	0	0	0	1	0	0	dst		RRCM.A #n,Rdst
RRAM.A	0	0	0	0	n-1	0	1	0	0	1	0	0	dst		RRAM.A #n,Rdst
RLAM.A	0	0	0	0	n-1	1	0	0	1	0	0	0	dst		RLAM.A #n,Rdst
RRUM.A	0	0	0	0	n-1	1	1	0	0	1	0	0	dst		RRUM.A #n,Rdst
RRCM.W	0	0	0	0	n-1	0	0	0	0	1	0	1	dst		RRCM.W #n,Rdst
RRAM.W	0	0	0	0	n-1	0	1	0	0	1	0	1	dst		RRAM.W #n,Rdst
RLAM.W	0	0	0	0	n-1	1	0	0	0	1	0	1	dst		RLAM.W #n,Rdst
RRUM.W	0	0	0	0	n-1	1	1	0	0	1	0	1	dst		RRUM.W #n,Rdst

Instruction	Instruction Identifier												dst						
	15	12	11	8	7	6	5	4	3	0									
RETI	0	0	0	1	0	0	1	1	0	0	0	0	0	0	0	0	0	0	
CALLA	0	0	0	1	0	0	1	1	0	1	0	0	dst				CALLA Rdst		
	0	0	0	1	0	0	1	1	0	1	0	1	dst				CALLA x(Rdst)		
	x.15:0																		
	0	0	0	1	0	0	1	1	0	1	1	0	dst				CALLA @Rdst		
	0	0	0	1	0	0	1	1	0	1	1	1	dst				CALLA @Rdst+		
	0	0	0	1	0	0	1	1	1	0	0	0	&abs.19:16				CALLA &abs20		
	&abs.15:0																		
	0	0	0	1	0	0	1	1	1	0	0	1	x.19:16				CALLA EDE		
	x.15:0																CALLA x(PC)		
	0	0	0	1	0	0	1	1	1	0	1	1	imm.19:16				CALLA #imm20		
	imm.15:0																		
Reserved	0	0	0	1	0	0	1	1	1	0	1	0	x	x	x	x	x		
Reserved	0	0	0	1	0	0	1	1	1	1	x	x	x	x	x	x	x		
PUSHM.A	0	0	0	1	0	1	0	0	n - 1			dst				PUSHM.A #n,Rdst			
PUSHM.W	0	0	0	1	0	1	0	1	n - 1			dst				PUSHM.W #n,Rdst			
POPM.A	0	0	0	1	0	1	1	0	n - 1			dst - n + 1				POPM.A #n,Rdst			
POPM.W	0	0	0	1	0	1	1	1	n - 1			dst - n + 1				POPM.W #n,Rdst			

4.6.2 MSP430 Instructions

The MSP430 instructions are listed and described on the following pages.

4.6.2.1 ADC

*** ADC.W]** Add carry to destination

*** ADC.B** Add carry to destination

Syntax ADC dst or ADC.W dst
 ADC.B dst

Operation dst + C → dst

Emulation ADDC #0, dst
 ADDC.B #0, dst

Description The carry bit (C) is added to the destination operand. The previous contents of the destination are lost.

Status Bits

- N: Set if result is negative, reset if positive
- Z: Set if result is zero, reset otherwise
- C: Set if dst was incremented from 0FFFFh to 0000, reset otherwise
 Set if dst was incremented from 0FFh to 00, reset otherwise
- V: Set if an arithmetic overflow occurs, otherwise reset

Mode Bits OSCOFF, CPUOFF, and GIE are not affected.

Example The 16-bit counter pointed to by R13 is added to a 32-bit counter pointed to by R12.

```

ADD    @R13,0(R12)    ; Add LSDs
ADC    2(R12)         ; Add carry to MSD
    
```

Example The 8-bit counter pointed to by R13 is added to a 16-bit counter pointed to by R12.

```

ADD.B  @R13,0(R12)    ; Add LSDs
ADC.B  1(R12)         ; Add carry to MSD
    
```

4.6.2.2 ADD

ADD[.W]	Add source word to destination word
ADD.B	Add source byte to destination byte
Syntax	ADD src,dst OR ADD.W src,dst ADD.B src,dst
Operation	src + dst → dst
Description	The source operand is added to the destination operand. The previous content of the destination is lost.
Status Bits	N: Set if result is negative (MSB = 1), reset if positive (MSB = 0) Z: Set if result is zero, reset otherwise C: Set if there is a carry from the MSB of the result, reset otherwise V: Set if the result of two positive operands is negative, or if the result of two negative numbers is positive, reset otherwise
Mode Bits	OSCOFF, CPUOFF, and GIE are not affected.
Example	Ten is added to the 16-bit counter CNTR located in lower 64 K.

```
ADD.W #10,&CNTR ; Add 10 to 16-bit counter
```

Example A table word pointed to by R5 (20-bit address in R5) is added to R6. The jump to label TONI is performed on a carry.

```
ADD.W @R5,R6 ; Add table word to R6. R6.19:16 = 0
JC TONI ; Jump if carry
... ; No carry
```

Example A table byte pointed to by R5 (20-bit address) is added to R6. The jump to label TONI is performed if no carry occurs. The table pointer is auto-incremented by 1. R6.19:8 = 0

```
ADD.B @R5+,R6 ; Add byte to R6. R5 + 1. R6: 000xxh
JNC TONI ; Jump if no carry
... ; Carry occurred
```

4.6.2.3 ADDC

ADDC[.W] Add source word and carry to destination word

ADDC.B Add source byte and carry to destination byte

Syntax `ADDC src,dst` OR `ADDC.W src,dst`
`ADDC.B src,dst`

Operation `src + dst + C → dst`

Description The source operand and the carry bit C are added to the destination operand. The previous content of the destination is lost.

Status Bits

- N: Set if result is negative (MSB = 1), reset if positive (MSB = 0)
- Z: Set if result is zero, reset otherwise
- C: Set if there is a carry from the MSB of the result, reset otherwise
- V: Set if the result of two positive operands is negative, or if the result of two negative numbers is positive, reset otherwise

Mode Bits OSCOFF, CPUOFF, and GIE are not affected.

Example Constant value 15 and the carry of the previous instruction are added to the 16-bit counter CNTR located in lower 64 K.

```
ADDC.W    #15,&CNTR    ; Add 15 + C to 16-bit CNTR
```

Example A table word pointed to by R5 (20-bit address) and the carry C are added to R6. The jump to label TONI is performed on a carry. R6.19:16 = 0

```
ADDC.W    @R5,R6      ; Add table word + C to R6
JC        TONI        ; Jump if carry
...      ; No carry
```

Example A table byte pointed to by R5 (20-bit address) and the carry bit C are added to R6. The jump to label TONI is performed if no carry occurs. The table pointer is auto-incremented by 1. R6.19:8 = 0

```
ADDC.B    @R5+,R6     ; Add table byte + C to R6. R5 + 1
JNC       TONI        ; Jump if no carry
...      ; Carry occurred
```

4.6.2.4 AND**AND[W]** Logical AND of source word with destination word**AND.B** Logical AND of source byte with destination byte**Syntax**
AND src,dst OR AND.W src,dst
AND.B src,dst**Operation** src .and. dst → dst**Description** The source operand and the destination operand are logically ANDed. The result is placed into the destination. The source operand is not affected.**Status Bits**
N: Set if result is negative (MSB = 1), reset if positive (MSB = 0)
Z: Set if result is zero, reset otherwise
C: Set if the result is not zero, reset otherwise. C = (.not. Z)
V: Reset**Mode Bits** OSCOFF, CPUOFF, and GIE are not affected.**Example** The bits set in R5 (16-bit data) are used as a mask (AA55h) for the word TOM located in the lower 64 K. If the result is zero, a branch is taken to label TONI. R5.19:16 = 0

```

MOV    #AA55h,R5      ; Load 16-bit mask to R5
AND    R5,&TOM        ; TOM .and. R5 -> TOM
JZ     TONI           ; Jump if result 0
...

```

or shorter:

```

AND    #AA55h,&TOM    ; TOM .and. AA55h -> TOM
JZ     TONI           ; Jump if result 0

```

Example A table byte pointed to by R5 (20-bit address) is logically ANDed with R6. R5 is incremented by 1 after the fetching of the byte. R6.19:8 = 0

```

AND.B  @R5+,R6        ; AND table byte with R6. R5 + 1

```

4.6.2.5 BIC

BIC[W] Clear bits set in source word in destination word

BIC.B Clear bits set in source byte in destination byte

Syntax `BIC src,dst` OR `BIC.W src,dst`
`BIC.B src,dst`

Operation `(.not. src) .and. dst → dst`

Description The inverted source operand and the destination operand are logically ANDed. The result is placed into the destination. The source operand is not affected.

Status Bits N: Not affected
 Z: Not affected
 C: Not affected
 V: Not affected

Mode Bits OSCOFF, CPUOFF, and GIE are not affected.

Example The bits 15:14 of R5 (16-bit data) are cleared. `R5.19:16 = 0`

```
BIC #0C000h,R5 ; Clear R5.19:14 bits
```

Example A table word pointed to by R5 (20-bit address) is used to clear bits in R7. `R7.19:16 = 0`

```
BIC.W @R5,R7 ; Clear bits in R7 set in @R5
```

Example A table byte pointed to by R5 (20-bit address) is used to clear bits in Port1.

```
BIC.B @R5,&P1OUT ; Clear I/O port P1 bits set in @R5
```

4.6.2.6 BIS

BIS[.W]	Set bits set in source word in destination word
BIS.B	Set bits set in source byte in destination byte
Syntax	BIS src,dst OR BIS.W src,dst BIS.B src,dst
Operation	src .or. dst → dst
Description	The source operand and the destination operand are logically ORed. The result is placed into the destination. The source operand is not affected.
Status Bits	N: Not affected Z: Not affected C: Not affected V: Not affected
Mode Bits	OSCOFF, CPUOFF, and GIE are not affected.
Example	Bits 15 and 13 of R5 (16-bit data) are set to one. R5.19:16 = 0
	<pre>BIS #A000h,R5 ; Set R5 bits</pre>
Example	A table word pointed to by R5 (20-bit address) is used to set bits in R7. R7.19:16 = 0
	<pre>BIS.W @R5,R7 ; Set bits in R7</pre>
Example	A table byte pointed to by R5 (20-bit address) is used to set bits in Port1. R5 is incremented by 1 afterwards.
	<pre>BIS.B @R5+,&P1OUT ; Set I/O port P1 bits. R5 + 1</pre>

4.6.2.7 BIT

BIT[.W]	Test bits set in source word in destination word
BIT.B	Test bits set in source byte in destination byte
Syntax	BIT src,dst OR BIT.W src,dst BIT.B src,dst
Operation	src .and. dst
Description	The source operand and the destination operand are logically ANDed. The result affects only the status bits in SR. Register mode: the register bits Rdst.19:16 (.W) resp. Rdst. 19:8 (.B) are not cleared!
Status Bits	N: Set if result is negative (MSB = 1), reset if positive (MSB = 0) Z: Set if result is zero, reset otherwise C: Set if the result is not zero, reset otherwise. C = (.not. Z) V: Reset
Mode Bits	OSCOFF, CPUOFF, and GIE are not affected.
Example	Test if one (or both) of bits 15 and 14 of R5 (16-bit data) is set. Jump to label TONI if this is the case. R5.19:16 are not affected.

```

BIT   #C000h,R5           ; Test R5.15:14 bits
JNZ   TONI                ; At least one bit is set in R5
...   ; Both bits are reset
    
```

Example A table word pointed to by R5 (20-bit address) is used to test bits in R7. Jump to label TONI if at least one bit is set. R7.19:16 are not affected.

```

BIT.W @R5,R7             ; Test bits in R7
JC    TONI               ; At least one bit is set
...   ; Both are reset
    
```

Example A table byte pointed to by R5 (20-bit address) is used to test bits in output Port1. Jump to label TONI if no bit is set. The next table byte is addressed.

```

BIT.B @R5+,&P1OUT        ; Test I/O port P1 bits. R5 + 1
JNC   TONI              ; No corresponding bit is set
...   ; At least one bit is set
    
```

4.6.2.8 BR, BRANCH

* BR, BRANCH	Branch to destination in lower 64K address space
Syntax	BR dst
Operation	dst → PC
Emulation	MOV dst,PC
Description	An unconditional branch is taken to an address anywhere in the lower 64K address space. All source addressing modes can be used. The branch instruction is a word instruction.
Status Bits	Status bits are not affected.
Example	Examples for all addressing modes are given.

BR	#EXEC	; Branch to label EXEC or direct branch (for example #0A4h) ; Core instruction MOV @PC+,PC
BR	EXEC	; Branch to the address contained in EXEC ; Core instruction MOV X(PC),PC ; Indirect address
BR	&EXEC	; Branch to the address contained in absolute ; address EXEC ; Core instruction MOV X(0),PC ; Indirect address
BR	R5	; Branch to the address contained in R5 ; Core instruction MOV R5,PC ; Indirect R5
BR	@R5	; Branch to the address contained in the word ; pointed to by R5. ; Core instruction MOV @R5,PC ; Indirect, indirect R5
BR	@R5+	; Branch to the address contained in the word pointed ; to by R5 and increment pointer in R5 afterwards. ; The next time-S/W flow uses R5 pointer-it can ; alter program execution due to access to ; next address in a table pointed to by R5 ; Core instruction MOV @R5,PC ; Indirect, indirect R5 with autoincrement
BR	X(R5)	; Branch to the address contained in the address ; pointed to by R5 + X (for example table with address ; starting at X). X can be an address or a label ; Core instruction MOV X(R5),PC ; Indirect, indirect R5 + X

4.6.2.9 CALL

CALL	Call a subroutine in lower 64 K
Syntax	CALL dst
Operation	dst → tmp 16-bit dst is evaluated and stored SP – 2 → SP PC → @SP updated PC with return address to TOS tmp → PC saved 16-bit dst to PC
Description	A subroutine call is made from an address in the lower 64 K to a subroutine address in the lower 64 K. All seven source addressing modes can be used. The call instruction is a word instruction. The return is made with the RET instruction.
Status Bits	Status bits are not affected. PC.19:16 cleared (address in lower 64 K)
Mode Bits	OSCOFF, CPUOFF, and GIE are not affected.
Examples	Examples for all addressing modes are given. Immediate Mode: Call a subroutine at label EXEC (lower 64 K) or call directly to address.

```
CALL #EXEC           ; Start address EXEC
CALL #0AA04h        ; Start address 0AA04h
```

Symbolic Mode: Call a subroutine at the 16-bit address contained in address EXEC. EXEC is located at the address (PC + X) where X is within PC ± 32 K.

```
CALL EXEC           ; Start address at @EXEC. z16(PC)
```

Absolute Mode: Call a subroutine at the 16-bit address contained in absolute address EXEC in the lower 64 K.

```
CALL &EXEC          ; Start address at @EXEC
```

Register mode: Call a subroutine at the 16-bit address contained in register R5.15:0.

```
CALL R5             ; Start address at R5
```

Indirect Mode: Call a subroutine at the 16-bit address contained in the word pointed to by register R5 (20-bit address).

```
CALL @R5           ; Start address at @R5
```

4.6.2.10 CLR

* **CLR[.W]** Clear destination

* **CLR.B** Clear destination

Syntax CLR dst *OR* CLR.W dst
CLR.B dst

Operation 0 → dst

Emulation MOV #0,dst
MOV.B #0,dst

Description The destination operand is cleared.

Status Bits Status bits are not affected.

Example RAM word TONI is cleared.

```
CLR    TONI    ; 0 -> TONI
```

Example Register R5 is cleared.

```
CLR    R5
```

Example RAM byte TONI is cleared.

```
CLR.B  TONI    ; 0 -> TONI
```

4.6.2.11 CLRC

*** CLRC** Clear carry bit

Syntax CLRC

Operation $0 \rightarrow C$

Emulation BIC #1,SR

Description The carry bit (C) is cleared. The clear carry instruction is a word instruction.

Status Bits N: Not affected

Z: Not affected

C: Cleared

V: Not affected

Mode Bits OSCOFF, CPUOFF, and GIE are not affected.

Example The 16-bit decimal counter pointed to by R13 is added to a 32-bit counter pointed to by R12.

```

CLRC                                ; C=0: defines start
DADD @R13,0(R12)                    ; add 16-bit counter to low word of 32-bit counter
DADC 2(R12)                          ; add carry to high word of 32-bit counter
    
```

4.6.2.12 CLRN

* CLRN	Clear negative bit
Syntax	CLRN
Operation	0 → N or (.NOT.src .AND. dst → dst)
Emulation	BIC #4,SR
Description	The constant 04h is inverted (0FFFBh) and is logically ANDed with the destination operand. The result is placed into the destination. The clear negative bit instruction is a word instruction.
Status Bits	N: Reset to 0 Z: Not affected C: Not affected V: Not affected
Mode Bits	OSCOFF, CPUOFF, and GIE are not affected.
Example	The negative bit in the SR is cleared. This avoids special treatment with negative numbers of the subroutine called.

```

          CLRN
          CALL SUBR
          .....
          .....
SUBR      JN      SUBRET      ; If input is negative: do nothing and return
          .....
          .....
          .....
SUBRET    RET

```

4.6.2.13 CLRZ

*** CLRZ** Clear zero bit

Syntax CLRZ

Operation $0 \rightarrow Z$

or

(.NOT.src .AND. dst \rightarrow dst)

Emulation BIC #2,SR

Description The constant 02h is inverted (0FFFDh) and logically ANDed with the destination operand. The result is placed into the destination. The clear zero bit instruction is a word instruction.

Status Bits N: Not affected

Z: Reset to 0

C: Not affected

V: Not affected

Mode Bits OSCOFF, CPUOFF, and GIE are not affected.

Example The zero bit in the SR is cleared.

CLRZ

Indirect, Auto-Increment mode: Call a subroutine at the 16-bit address contained in the word pointed to by register R5 (20-bit address) and increment the 16-bit address in R5 afterwards by 2. The next time the software uses R5 as a pointer, it can alter the program execution due to access to the next word address in the table pointed to by R5.

```
CALL @R5+          ; Start address at @R5. R5 + 2
```

Indexed mode: Call a subroutine at the 16-bit address contained in the 20-bit address pointed to by register (R5 + X); for example, a table with addresses starting at X. The address is within the lower 64 KB. X is within ± 32 KB.

```
CALL X(R5)        ; Start address at @(R5+X). z16(R5)
```

4.6.2.14 CMP

CMP[.W]	Compare source word and destination word
CMP.B	Compare source byte and destination byte
Syntax	CMP src,dst OR CMP.W src,dst CMP.B src,dst
Operation	(.not.src) + 1 + dst or dst – src
Emulation	BIC #2,SR
Description	The source operand is subtracted from the destination operand. This is made by adding the 1s complement of the source + 1 to the destination. The result affects only the status bits in SR. Register mode: the register bits Rdst.19:16 (.W) resp. Rdst. 19:8 (.B) are not cleared.
Status Bits	N: Set if result is negative (src > dst), reset if positive (src = dst) Z: Set if result is zero (src = dst), reset otherwise (src ≠ dst) C: Set if there is a carry from the MSB, reset otherwise V: Set if the subtraction of a negative source operand from a positive destination operand delivers a negative result, or if the subtraction of a positive source operand from a negative destination operand delivers a positive result, reset otherwise (no overflow).
Mode Bits	OSCOFF, CPUOFF, and GIE are not affected.
Example	Compare word EDE with a 16-bit constant 1800h. Jump to label TONI if EDE equals the constant. The address of EDE is within PC + 32 K.
	<pre>CMP #01800h,EDE ; Compare word EDE with 1800h JEQ TONI ; EDE contains 1800h ... ; Not equal</pre>
Example	A table word pointed to by (R5 + 10) is compared with R7. Jump to label TONI if R7 contains a lower, signed 16-bit number. R7.19:16 is not cleared. The address of the source operand is a 20-bit address in full memory range.
	<pre>CMP.W 10(R5),R7 ; Compare two signed numbers JL TONI ; R7 < 10(R5) ... ; R7 >= 10(R5)</pre>
Example	A table byte pointed to by R5 (20-bit address) is compared to the value in output Port1. Jump to label TONI if values are equal. The next table byte is addressed.
	<pre>CMP.B @R5+,&P1OUT ; Compare P1 bits with table. R5 + 1 JEQ TONI ; Equal contents ... ; Not equal</pre>

4.6.2.15 DADC

* **DADC.W]** Add carry decimally to destination

* **DADC.B** Add carry decimally to destination

Syntax DADC dst Or DADC.W dst
DADC.B dst

Operation dst + C → dst (decimally)

Emulation DADD #0, dst
DADD.B #0, dst

Description The carry bit (C) is added decimally to the destination.

Status Bits
 N: Set if MSB is 1
 Z: Set if dst is 0, reset otherwise
 C: Set if destination increments from 9999 to 0000, reset otherwise
 Set if destination increments from 99 to 00, reset otherwise
 V: Undefined

Mode Bits OSCOFF, CPUOFF, and GIE are not affected.

Example The four-digit decimal number contained in R5 is added to an eight-digit decimal number pointed to by R8.

```

CLRC                                ; Reset carry
                                ; next instruction's start condition is defined
DADD R5,0(R8)                       ; Add LSDs + C
DADC 2(R8)                           ; Add carry to MSD
    
```

Example The two-digit decimal number contained in R5 is added to a four-digit decimal number pointed to by R8.

```

CLRC                                ; Reset carry
                                ; next instruction's start condition is defined
DADD.B R5,0(R8)                     ; Add LSDs + C
DADC 1(R8)                           ; Add carry to MSDs
    
```

4.6.2.16 DADD

* **DADD[.W]** Add source word and carry decimally to destination word

* **DADD.B** Add source byte and carry decimally to destination byte

Syntax DADD src,dst OR DADD.W src,dst
DADD.B src,dst

Operation src + dst + C → dst (decimally)

Description The source operand and the destination operand are treated as two (.B) or four (.W) binary coded decimals (BCD) with positive signs. The source operand and the carry bit C are added decimally to the destination operand. The source operand is not affected. The previous content of the destination is lost. The result is not defined for non-BCD numbers.

Status Bits N: Set if MSB of result is 1 (word > 7999h, byte > 79h), reset if MSB is 0
Z: Set if result is zero, reset otherwise
C: Set if the BCD result is too large (word > 9999h, byte > 99h), reset otherwise
V: Undefined

Mode Bits OSCOFF, CPUOFF, and GIE are not affected.

Example Decimal 10 is added to the 16-bit BCD counter DECCNTR.

```
DADD #10h,&DECCNTR ; Add 10 to 4-digit BCD counter
```

Example The eight-digit BCD number contained in 16-bit RAM addresses BCD and BCD+2 is added decimally to an eight-digit BCD number contained in R4 and R5 (BCD+2 and R5 contain the MSDs). The carry C is added, and cleared.

```
CLRC ; Clear carry
DADD.W &BCD,R4 ; Add LSDs. R4.19:16 = 0
DADD.W &BCD+2,R5 ; Add MSDs with carry. R5.19:16 = 0
JC OVERFLOW ; Result >9999,9999: go to error routine
... ; Result ok
```

Example The two-digit BCD number contained in word BCD (16-bit address) is added decimally to a two-digit BCD number contained in R4. The carry C is added, also. R4.19:8 = 0

```
CLRC ; Clear carry
DADD.B &BCD,R4 ; Add BCD to R4 decimally.
R4: 0,00ddh
```

4.6.2.17 DEC

* DEC.W]	Decrement destination
* DEC.B	Decrement destination
Syntax	DEC dst OR DEC.W dst DEC.B dst
Operation	dst - 1 → dst
Emulation	SUB #1, dst SUB.B #1, dst
Description	The destination operand is decremented by one. The original contents are lost.
Status Bits	N: Set if result is negative, reset if positive Z: Set if dst contained 1, reset otherwise C: Reset if dst contained 0, set otherwise V: Set if an arithmetic overflow occurs, otherwise reset. Set if initial value of destination was 08000h, otherwise reset. Set if initial value of destination was 080h, otherwise reset.
Mode Bits	OSCOFF, CPUOFF, and GIE are not affected.
Example	R10 is decremented by 1.

```

DEC     R10                ; Decrement R10

; Move a block of 255 bytes from memory location starting with EDE to
; memory location starting with TONI. Tables should not overlap: start of
; destination address TONI must not be within the range EDE to EDE+0FEh

MOV     #EDE, R6
MOV     #255, R10
L$1    MOV.B  @R6+, TONI-EDE-1(R6)
DEC     R10
JNZ    L$1

```

Do not transfer tables using the routine above with the overlap shown in [Figure 4-36](#).

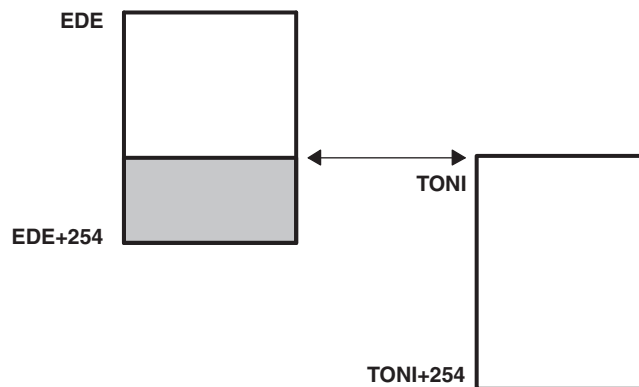


Figure 4-36. Decrement Overlap

4.6.2.18 DECD

* DECD[.W]	Double-decrement destination
* DECD.B	Double-decrement destination
Syntax	DECD dst Or DECD.W dst DECD.B dst
Operation	dst - 2 → dst
Emulation	SUB #2, dst SUB.B #2, dst
Description	The destination operand is decremented by two. The original contents are lost.
Status Bits	N: Set if result is negative, reset if positive Z: Set if dst contained 2, reset otherwise C: Reset if dst contained 0 or 1, set otherwise V: Set if an arithmetic overflow occurs, otherwise reset Set if initial value of destination was 08001 or 08000h, otherwise reset Set if initial value of destination was 081 or 080h, otherwise reset
Mode Bits	OSCOFF, CPUOFF, and GIE are not affected.
Example	R10 is decremented by 2.

```
DECD    R10                ; Decrement R10 by two
```

```
; Move a block of 255 bytes from memory location starting with EDE to
; memory location starting with TONI.
; Tables should not overlap: start of destination address TONI must not
; be within the range EDE to EDE+0FEh
```

```
MOV     #EDE, R6
MOV     #255, R10
L$1    MOV.B  @R6+, TONI-EDE-2(R6)
DECD   R10
JNZ    L$1
```

Example Memory at location LEO is decremented by two.

```
DECD.B  LEO                ; Decrement MEM(LEO)
```

Decrement status byte STATUS by two

```
DECD.B  STATUS
```

4.6.2.19 DINT

* DINT	Disable (general) interrupts
Syntax	DINT
Operation	0 → GIE or (0FFF7h .AND. SR → SR / .NOT.src .AND. dst → dst)
Emulation	BIC #8,SR
Description	All interrupts are disabled. The constant 08h is inverted and logically ANDed with the SR. The result is placed into the SR.
Status Bits	Status bits are not affected.
Mode Bits	GIE is reset. OSCOFF and CPUOFF are not affected.
Example	The general interrupt enable (GIE) bit in the SR is cleared to allow a nondisrupted move of a 32-bit counter. This ensures that the counter is not modified during the move by any interrupt.

```

DINT                ; All interrupt events using the GIE bit are disabled
NOP
MOV    COUNTHI,R5   ; Copy counter
MOV    COUNTLO,R6
EINT                ; All interrupt events using the GIE bit are enabled
    
```

NOTE: Disable interrupt

If any code sequence needs to be protected from interruption, DINT should be executed at least one instruction before the beginning of the uninterruptible sequence, or it should be followed by a NOP instruction.

4.6.2.20 EINT

* EINT	Enable (general) interrupts
Syntax	EINT
Operation	1 → GIE or (0008h .OR. SR → SR / .src .OR. dst → dst)
Emulation	BIS #8,SR
Description	All interrupts are enabled. The constant #08h and the SR are logically ORed. The result is placed into the SR.
Status Bits	Status bits are not affected.
Mode Bits	GIE is set. OSCOFF and CPUOFF are not affected.
Example	The general interrupt enable (GIE) bit in the SR is set.

```

PUSH.B    &PLIN
BIC.B     @SP,&P1IFG ; Reset only accepted flags
EINT      ; Preset port 1 interrupt flags stored on stack
          ; other interrupts are allowed

BIT       #Mask,@SP
JEQ       MaskOK    ; Flags are present identically to mask: jump
.....
MaskOK    BIC       #Mask,@SP
          ;
          ;
          ; Housekeeping: inverse to PUSH instruction
          ; at the start of interrupt subroutine. Corrects
          ; the stack pointer.

RETI

```

NOTE: Enable interrupt

The instruction following the enable interrupt instruction (EINT) is always executed, even if an interrupt service request is pending when the interrupts are enabled.

4.6.2.21 INC

* INC[W]	Increment destination
* INC.B	Increment destination
Syntax	INC dst OR INC.W dst INC.B dst
Operation	dst + 1 → dst
Emulation	ADD #1, dst
Description	The destination operand is incremented by one. The original contents are lost.
Status Bits	N: Set if result is negative, reset if positive Z: Set if dst contained 0FFFFh, reset otherwise Set if dst contained 0FFh, reset otherwise C: Set if dst contained 0FFFFh, reset otherwise Set if dst contained 0FFh, reset otherwise V: Set if dst contained 07FFFh, reset otherwise Set if dst contained 07Fh, reset otherwise
Mode Bits	OSCOFF, CPUOFF, and GIE are not affected.
Example	The status byte, STATUS, of a process is incremented. When it is equal to 11, a branch to OVFL is taken.
INC.B	STATUS
CMP.B	#11, STATUS
JEQ	OVFL

4.6.2.22 INCD

* INCD[.W]	Double-increment destination
* INCD.B	Double-increment destination
Syntax	INCD dst Or INCD.W dst INCD.B dst
Operation	dst + 2 → dst
Emulation	ADD #2, dst
Description	The destination operand is incremented by two. The original contents are lost.
Status Bits	N: Set if result is negative, reset if positive Z: Set if dst contained 0FFFEh, reset otherwise Set if dst contained 0FEh, reset otherwise C: Set if dst contained 0FFFEh or 0FFFFh, reset otherwise Set if dst contained 0FEh or 0FFh, reset otherwise V: Set if dst contained 07FFEh or 07FFFh, reset otherwise Set if dst contained 07Eh or 07Fh, reset otherwise
Mode Bits	OSCOFF, CPUOFF, and GIE are not affected.
Example	The item on the top of the stack (TOS) is removed without using a register.

```

.....
PUSH  R5      ; R5 is the result of a calculation, which is stored
          ; in the system stack
INCD  SP      ; Remove TOS by double-increment from stack
          ; Do not use INCD.B, SP is a word-aligned register
RET

```

Example The byte on the top of the stack is incremented by two.

```
INCD.B 0(SP) ; Byte on TOS is increment by two
```


4.6.2.23 INV

* INV[.W]	Invert destination
* INV.B	Invert destination
Syntax	INV dst OR INV.W dst INV.B dst
Operation	.not.dst → dst
Emulation	XOR #0FFFFh, dst XOR.B #0FFh, dst
Description	The destination operand is inverted. The original contents are lost.
Status Bits	N: Set if result is negative, reset if positive Z: Set if dst contained 0FFFFh, reset otherwise Set if dst contained 0FFh, reset otherwise C: Set if result is not zero, reset otherwise (= .NOT. Zero) V: Set if initial destination operand was negative, otherwise reset
Mode Bits	OSCOFF, CPUOFF, and GIE are not affected.
Example	Content of R5 is negated (2s complement).

```

MOV    #00AEh, R5    ; R5 = 000AEh
INV    R5            ; Invert R5, R5 = 0FF51h
INC    R5            ; R5 is now negated, R5 = 0FF52h
    
```

Example Content of memory byte LEO is negated.

```

MOV.B  #0AEh, LEO    ; MEM(LEO) = 0AEh
INV.B  LEO           ; Invert LEO, MEM(LEO) = 051h
INC.B  LEO           ; MEM(LEO) is negated, MEM(LEO) = 052h
    
```

4.6.2.24 JC, JHS

JC	Jump if carry
JHS	Jump if higher or same (unsigned)
Syntax	JC label JHS label
Operation	If C = 1: PC + (2 × Offset) → PC If C = 0: execute the following instruction
Description	The carry bit C in the SR is tested. If it is set, the signed 10-bit word offset contained in the instruction is multiplied by two, sign extended, and added to the 20-bit PC. This means a jump in the range –511 to +512 words relative to the PC in the full memory range. If C is reset, the instruction after the jump is executed. JC is used for the test of the carry bit C. JHS is used for the comparison of unsigned numbers.
Status Bits	Status bits are not affected
Mode Bits	OSCOFF, CPUOFF, and GIE are not affected.
Example	The state of the port 1 pin P1IN.1 bit defines the program flow.

```

BIT.B #2,&P1IN      ; Port 1, bit 1 set? Bit -> C
JC    Label1        ; Yes, proceed at Label1
...                ; No, continue

```

Example If $R5 \geq R6$ (unsigned), the program continues at Label2.

```

CMP   R6,R 5        ; Is R5 >= R6? Info to C
JHS   Label2        ; Yes, C = 1
...                ; No, R5 < R6. Continue

```

Example If $R5 \geq 12345h$ (unsigned operands), the program continues at Label2.

```

CMPA  #12345h,R5    ; Is R5 >= 12345h? Info to C
JHS   Label2        ; Yes, 12344h < R5 <= F,FFFh. C = 1
...                ; No, R5 < 12345h. Continue

```

4.6.2.25 JEQ, JZ

JEQ	Jump if equal
JZ	Jump if zero
Syntax	JEQ label JZ label
Operation	If Z = 1: PC + (2 × Offset) → PC If Z = 0: execute following instruction
Description	The zero bit Z in the SR is tested. If it is set, the signed 10-bit word offset contained in the instruction is multiplied by two, sign extended, and added to the 20-bit PC. This means a jump in the range –511 to +512 words relative to the PC in the full memory range. If Z is reset, the instruction after the jump is executed. JZ is used for the test of the zero bit Z. JEQ is used for the comparison of operands.
Status Bits	Status bits are not affected
Mode Bits	OSCOFF, CPUOFF, and GIE are not affected.
Example	The state of the P2IN.0 bit defines the program flow.

```

BIT.B   #1,&P2IN   ; Port 2, bit 0 reset?
JZ      Label1    ; Yes, proceed at Label1
...     ; No, set, continue
    
```

Example If R5 = 15000h (20-bit data), the program continues at Label2.

```

CMPA   #15000h,R5 ; Is R5 = 15000h? Info to SR
JEQ    Label2     ; Yes, R5 = 15000h. Z = 1
...    ; No, R5 not equal 15000h. Continue
    
```

Example R7 (20-bit counter) is incremented. If its content is zero, the program continues at Label4.

```

ADDA   #1,R7      ; Increment R7
JZ     Label4     ; Zero reached: Go to Label4
...    ; R7 not equal 0. Continue here.
    
```

4.6.2.26 JGE

JGE	Jump if greater or equal (signed)
Syntax	JGE label
Operation	If (N .xor. V) = 0: PC + (2 × Offset) → PC If (N .xor. V) = 1: execute following instruction
Description	<p>The negative bit N and the overflow bit V in the SR are tested. If both bits are set or both are reset, the signed 10-bit word offset contained in the instruction is multiplied by two, sign extended, and added to the 20-bit PC. This means a jump in the range -512 to +512 words relative to the PC in full Memory range. If only one bit is set, the instruction after the jump is executed.</p> <p>JGE is used for the comparison of signed operands: also for incorrect results due to overflow, the decision made by the JGE instruction is correct.</p> <p>Note that JGE emulates the nonimplemented JP (jump if positive) instruction if used after the instructions AND, BIT, RRA, SXTX, and TST. These instructions clear the V bit.</p>
Status Bits	Status bits are not affected.
Mode Bits	OSCOFF, CPUOFF, and GIE are not affected.
Example	If byte EDE (lower 64 K) contains positive data, go to Label1. Software can run in the full memory range.

```
TST.B  &EDE           ; Is EDE positive? V <- 0
JGE    Label1        ; Yes, JGE emulates JP
...                               ; No, 80h <= EDE <= FFh
```

Example	If the content of R6 is greater than or equal to the memory pointed to by R7, the program continues a Label5. Signed data. Data and program in full memory range.
----------------	---

```
CMP    @R7,R6        ; Is R6 >= @R7?
JGE    Label5        ; Yes, go to Label5
...                               ; No, continue here
```

Example	If R5 ≥ 12345h (signed operands), the program continues at Label2. Program in full memory range.
----------------	--

```
CMPA   #12345h,R5    ; Is R5 >= 12345h?
JGE    Label2        ; Yes, 12344h < R5 <= 7FFFFh
...                               ; No, 80000h <= R5 < 12345h
```

4.6.2.27 JL

JL Jump if less (signed)

Syntax JL label

Operation If (N .xor. V) = 1: PC + (2 × Offset) → PC
 If (N .xor. V) = 0: execute following instruction

Description The negative bit N and the overflow bit V in the SR are tested. If only one is set, the signed 10-bit word offset contained in the instruction is multiplied by two, sign extended, and added to the 20-bit PC. This means a jump in the range –511 to +512 words relative to the PC in full memory range. If both bits N and V are set or both are reset, the instruction after the jump is executed.

JL is used for the comparison of signed operands: also for incorrect results due to overflow, the decision made by the JL instruction is correct.

Status Bits Status bits are not affected.

Mode Bits OSCOFF, CPUOFF, and GIE are not affected.

Example If byte EDE contains a smaller, signed operand than byte TONI, continue at Label1. The address EDE is within PC ± 32 K.

```

CMP.B  &TONI,EDE      ; Is EDE < TONI
JL     Label1        ; Yes
...                               ; No, TONI <= EDE
    
```

Example If the signed content of R6 is less than the memory pointed to by R7 (20-bit address), the program continues at Label5. Data and program in full memory range.

```

CMP    @R7,R6        ; Is R6 < @R7?
JL     Label5        ; Yes, go to Label5
...                               ; No, continue here
    
```

Example If R5 < 12345h (signed operands), the program continues at Label2. Data and program in full memory range.

```

CMPA   #12345h,R5    ; Is R5 < 12345h?
JL     Label2        ; Yes, 80000h =< R5 < 12345h
...                               ; No, 12344h < R5 <= 7FFFFh
    
```

4.6.2.28 JMP**JMP** Jump unconditionally**Syntax** JMP label**Operation** PC + (2 × Offset) → PC**Description** The signed 10-bit word offset contained in the instruction is multiplied by two, sign extended, and added to the 20-bit PC. This means an unconditional jump in the range –511 to +512 words relative to the PC in the full memory. The JMP instruction may be used as a BR or BRA instruction within its limited range relative to the PC.**Status Bits** Status bits are not affected**Mode Bits** OSCOFF, CPUOFF, and GIE are not affected.**Example** The byte STATUS is set to 10. Then a jump to label MAINLOOP is made. Data in lower 64 K, program in full memory range.

```

MOV.B #10,&STATUS    ; Set STATUS to 10
JMP   MAINLOOP      ; Go to main loop

```

Example The interrupt vector TAIV of Timer_A3 is read and used for the program flow. Program in full memory range, but interrupt handlers always starts in lower 64 K.

```

ADD   &TAIV,PC      ; Add Timer_A interrupt vector to PC
RETI                          ; No Timer_A interrupt pending
JMP   IHCCR1        ; Timer block 1 caused interrupt
JMP   IHCCR2        ; Timer block 2 caused interrupt
RETI                          ; No legal interrupt, return

```

4.6.2.29 JN

JN Jump if negative

Syntax JN label

Operation If N = 1: PC + (2 × Offset) → PC
If N = 0: execute following instruction

Description The negative bit N in the SR is tested. If it is set, the signed 10-bit word offset contained in the instruction is multiplied by two, sign extended, and added to the 20-bit program PC. This means a jump in the range -511 to +512 words relative to the PC in the full memory range. If N is reset, the instruction after the jump is executed.

Status Bits Status bits are not affected.

Mode Bits OSCOFF, CPUOFF, and GIE are not affected.

Example The byte COUNT is tested. If it is negative, program execution continues at Label0. Data in lower 64 K, program in full memory range.

```
TST.B  &COUNT    ; Is byte COUNT negative?
JN     Label0     ; Yes, proceed at Label0
...     ; COUNT >= 0
```

Example R6 is subtracted from R5. If the result is negative, program continues at Label2. Program in full memory range.

```
SUB    R6,R5      ; R5 - R6 -> R5
JN     Label2     ; R5 is negative: R6 > R5 (N = 1)
...     ; R5 >= 0. Continue here.
```

Example R7 (20-bit counter) is decremented. If its content is below zero, the program continues at Label4. Program in full memory range.

```
SUBA   #1,R7      ; Decrement R7
JN     Label4     ; R7 < 0: Go to Label4
...     ; R7 >= 0. Continue here.
```

4.6.2.30 JNC, JLO

JNC	Jump if no carry
JLO	Jump if lower (unsigned)
Syntax	JNC label JLO label
Operation	If C = 0: PC + (2 × Offset) → PC If C = 1: execute following instruction
Description	The carry bit C in the SR is tested. If it is reset, the signed 10-bit word offset contained in the instruction is multiplied by two, sign extended, and added to the 20-bit PC. This means a jump in the range –511 to +512 words relative to the PC in the full memory range. If C is set, the instruction after the jump is executed. JNC is used for the test of the carry bit C. JLO is used for the comparison of unsigned numbers.
Status Bits	Status bits are not affected.
Mode Bits	OSCOFF, CPUOFF, and GIE are not affected.
Example	If byte EDE < 15, the program continues at Label2. Unsigned data. Data in lower 64 K, program in full memory range.

```

CMP.B  #15,&EDE      ; Is EDE < 15? Info to C
JLO    Label2       ; Yes, EDE < 15. C = 0
...                               ; No, EDE >= 15. Continue

```

Example The word TONI is added to R5. If no carry occurs, continue at Label0. The address of TONI is within PC ± 32 K.

```

ADD    TONI,R5      ; TONI + R5 -> R5. Carry -> C
JNC    Label0       ; No carry
...                               ; Carry = 1: continue here

```


4.6.2.31 JNZ, JNE

JNZ Jump if not zero

JNE Jump if not equal

Syntax JNZ label

JNE label

Operation If Z = 0: PC + (2 × Offset) → PC
If Z = 1: execute following instruction

Description The zero bit Z in the SR is tested. If it is reset, the signed 10-bit word offset contained in the instruction is multiplied by two, sign extended, and added to the 20-bit PC. This means a jump in the range –511 to +512 words relative to the PC in the full memory range. If Z is set, the instruction after the jump is executed.

JNZ is used for the test of the zero bit Z.

JNE is used for the comparison of operands.

Status Bits Status bits are not affected.

Mode Bits OSCOFF, CPUOFF, and GIE are not affected.

Example The byte STATUS is tested. If it is not zero, the program continues at Label3. The address of STATUS is within PC ± 32 K.

```
TST.B STATUS          ; Is STATUS = 0?
JNZ Label3            ; No, proceed at Label3
...                  ; Yes, continue here
```

Example If word EDE ≠ 1500, the program continues at Label2. Data in lower 64 K, program in full memory range.

```
CMP #1500,&EDE        ; Is EDE = 1500? Info to SR
JNE Label2            ; No, EDE not equal 1500.
...                  ; Yes, R5 = 1500. Continue
```

Example R7 (20-bit counter) is decremented. If its content is not zero, the program continues at Label4. Program in full memory range.

```
SUBA #1,R7           ; Decrement R7
JNZ Label4           ; Zero not reached: Go to Label4
...                  ; Yes, R7 = 0. Continue here.
```

4.6.2.32 MOV

MOV[.W]	Move source word to destination word
MOV.B	Move source byte to destination byte
Syntax	MOV src,dst OR MOV.W src,dst MOV.B src,dst
Operation	src → dst
Description	The source operand is copied to the destination. The source operand is not affected.
Status Bits	N: Not affected Z: Not affected C: Not affected V: Not affected
Mode Bits	OSCOFF, CPUOFF, and GIE are not affected.
Example	Move a 16-bit constant 1800h to absolute address-word EDE (lower 64 K)

```
MOV    #01800h,&EDE           ; Move 1800h to EDE
```

Example The contents of table EDE (word data, 16-bit addresses) are copied to table TOM. The length of the tables is 030h words. Both tables reside in the lower 64 K.

```
MOV    #EDE,R10               ; Prepare pointer (16-bit address)
Loop   MOV    @R10+,TOM-EDE-2(R10) ; R10 points to both tables.
                                   ; R10+2
CMP    #EDE+60h,R10           ; End of table reached?
JLO    Loop                   ; Not yet
...    ; Copy completed
```

Example The contents of table EDE (byte data, 16-bit addresses) are copied to table TOM. The length of the tables is 020h bytes. Both tables may reside in full memory range, but must be within R10 ± 32 K.

```
MOVA   #EDE,R10               ; Prepare pointer (20-bit)
MOV    #20h,R9                 ; Prepare counter
Loop   MOV.B  @R10+,TOM-EDE-1(R10) ; R10 points to both tables.
                                   ; R10+1
DEC    R9                      ; Decrement counter
JNZ    Loop                   ; Not yet done
...    ; Copy completed
```

4.6.2.33 NOP

* NOP	No operation
Syntax	NOP
Operation	None
Emulation	MOV #0, R3
Description	No operation is performed. The instruction may be used for the elimination of instructions during the software check or for defined waiting times.
Status Bits	Status bits are not affected.

4.6.2.34 POP

* **POP.W]** Pop word from stack to destination

* **POP.B** Pop byte from stack to destination

Syntax POP dst

POP.B dst

Operation @SP → temp

SP + 2 → SP

temp → dst

Emulation MOV @SP+,dst or MOV.W @SP+,dst

MOV.B @SP+,dst

Description The stack location pointed to by the SP (TOS) is moved to the destination. The SP is incremented by two afterwards.

Status Bits Status bits are not affected.

Example The contents of R7 and the SR are restored from the stack.

```
POP R7 ; Restore R7
POP SR ; Restore status register
```

Example The contents of RAM byte LEO is restored from the stack.

```
POP.B LEO ; The low byte of the stack is moved to LEO.
```

Example The contents of R7 is restored from the stack.

```
POP.B R7 ; The low byte of the stack is moved to R7,
; the high byte of R7 is 00h
```

Example The contents of the memory pointed to by R7 and the SR are restored from the stack.

```
POP.B 0(R7) ; The low byte of the stack is moved to the
; the byte which is pointed to by R7
; Example: R7 = 203h
; Mem(R7) = low byte of system stack
; Example: R7 = 20Ah
; Mem(R7) = low byte of system stack
POP SR ; Last word on stack moved to the SR
```

NOTE: System stack pointer

The system SP is always incremented by two, independent of the byte suffix.

4.6.2.35 PUSH

PUSH[.W] Save a word on the stack

PUSH.B Save a byte on the stack

Syntax PUSH dst OR PUSH.W dst
PUSH.B dst

Operation SP - 2 → SP
dst → @SP

Description The 20-bit SP is decremented by two. The operand is then copied to the RAM word addressed by the SP. A pushed byte is stored in the low byte; the high byte is not affected.

Status Bits Status bits are not affected.

Mode Bits OSCOFF, CPUOFF, and GIE are not affected.

Example Save the two 16-bit registers R9 and R10 on the stack

```
PUSH R9 ; Save R9 and R10 XXXXh
PUSH R10 ; YYYYh
```

Example Save the two bytes EDE and TONI on the stack. The addresses EDE and TONI are within PC ± 32 K.

```
PUSH.B EDE ; Save EDE xxXXh
PUSH.B TONI ; Save TONI xxYYh
```

4.6.2.36 RET

*** RET** Return from subroutine

Syntax RET

Operation @SP → PC.15:0 Saved PC to PC.15:0. PC.19:16 ← 0
SP + 2 → SP

Description The 16-bit return address (lower 64 K), pushed onto the stack by a CALL instruction is restored to the PC. The program continues at the address following the subroutine call. The four MSBs of the PC.19:16 are cleared.

Status Bits Status bits are not affected.
PC.19:16: Cleared

Mode Bits OSCOFF, CPUOFF, and GIE are not affected.

Example Call a subroutine SUBR in the lower 64 K and return to the address in the lower 64 K after the CALL.

```

CALL    #SUBR    ; Call subroutine starting at SUBR
...
SUBR    PUSH    R14    ; Save R14 (16 bit data)
...
        ; Subroutine code
SUBR    POP     R14    ; Restore R14
SUBR    RET     ; Return to lower 64 K

```

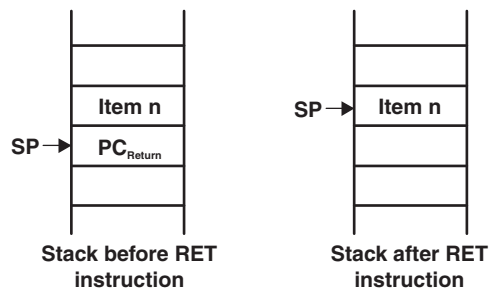


Figure 4-37. Stack After a RET Instruction

4.6.2.37 RETI

RETI	Return from interrupt
Syntax	RETI
Operation	@SP → SR.15:0 Restore saved SR with PC.19:16 SP + 2 → SP @SP → PC.15:0 Restore saved PC.15:0 SP + 2 → SP Housekeeping
Description	The SR is restored to the value at the beginning of the interrupt service routine. This includes the four MSBs of the PC.19:16. The SP is incremented by two afterward. The 20-bit PC is restored from PC.19:16 (from same stack location as the status bits) and PC.15:0. The 20-bit PC is restored to the value at the beginning of the interrupt service routine. The program continues at the address following the last executed instruction when the interrupt was granted. The SP is incremented by two afterward.
Status Bits	N: Restored from stack C: Restored from stack Z: Restored from stack V: Restored from stack
Mode Bits	OSCOFF, CPUOFF, and GIE are restored from stack.
Example	Interrupt handler in the lower 64 K. A 20-bit return address is stored on the stack.

```

INTRPT  PUSHM.A  #2,R14    ; Save R14 and R13 (20-bit data)
        ...           ; Interrupt handler code
        POPM.A   #2,R14    ; Restore R13 and R14 (20-bit data)
        RETI         ; Return to 20-bit address in full memory range
    
```

4.6.2.38 RLA

* **RLA.W** Rotate left arithmetically* **RLA.B** Rotate left arithmetically

Syntax RLA dst OF RLA.W dst
RLA.B dst

Operation $C \leftarrow \text{MSB} \leftarrow \text{MSB}-1 \dots \text{LSB}+1 \leftarrow \text{LSB} \leftarrow 0$

Emulation ADD dst, dst
ADD.B dst, dst

Description The destination operand is shifted left one position as shown in Figure 4-38. The MSB is shifted into the carry bit (C) and the LSB is filled with 0. The RLA instruction acts as a signed multiplication by 2.

An overflow occurs if $\text{dst} \geq 04000\text{h}$ and $\text{dst} < 0\text{C}000\text{h}$ before operation is performed; the result has changed sign.

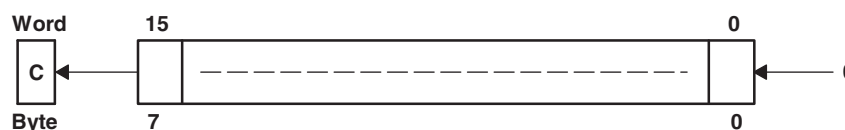


Figure 4-38. Destination Operand—Arithmetic Shift Left

An overflow occurs if $\text{dst} \geq 040\text{h}$ and $\text{dst} < 0\text{C}0\text{h}$ before the operation is performed; the result has changed sign.

Status Bits

- N: Set if result is negative, reset if positive
- Z: Set if result is zero, reset otherwise
- C: Loaded from the MSB
- V: Set if an arithmetic overflow occurs; the initial value is $04000\text{h} \leq \text{dst} < 0\text{C}000\text{h}$, reset otherwise
- Set if an arithmetic overflow occurs; the initial value is $040\text{h} \leq \text{dst} < 0\text{C}0\text{h}$, reset otherwise

Mode Bits OSCOFF, CPUOFF, and GIE are not affected.

Example R7 is multiplied by 2.

```
RLA R7 ; Shift left R7 (x 2)
```

Example The low byte of R7 is multiplied by 4.

```
RLA.B R7 ; Shift left low byte of R7 (x 2)
RLA.B R7 ; Shift left low byte of R7 (x 4)
```

NOTE: RLA substitution

The assembler does not recognize the instructions:

```
RLA @R5+ RLA.B @R5+ RLA(.B) @R5
```

They must be substituted by:

```
ADD @R5+, -2(R5) ADD.B @R5+, -1(R5) ADD(.B) @R5
```

4.6.2.39 RLC

* **RLC[.W]** Rotate left through carry
 * **RLC.B** Rotate left through carry
Syntax RLC dst OF RLC.W dst
 RLC.B dst
Operation $C \leftarrow MSB \leftarrow MSB-1 \dots LSB+1 \leftarrow LSB \leftarrow C$
Emulation ADDC dst, dst

Description The destination operand is shifted left one position as shown in Figure 4-39. The carry bit (C) is shifted into the LSB, and the MSB is shifted into the carry bit (C).

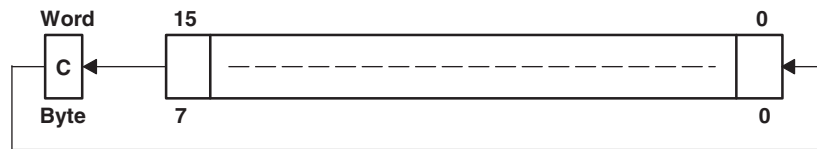


Figure 4-39. Destination Operand—Carry Left Shift

Status Bits N: Set if result is negative, reset if positive
 Z: Set if result is zero, reset otherwise
 C: Loaded from the MSB
 V: Set if an arithmetic overflow occurs; the initial value is $04000h \leq dst < 0C000h$, reset otherwise
 Set if an arithmetic overflow occurs; the initial value is $040h \leq dst < 0C0h$, reset otherwise

Mode Bits OSCOFF, CPUOFF, and GIE are not affected.

Example R5 is shifted left one position.

```
RLC R5 ; (R5 x 2) + C -> R5
```

Example The input P1IN.1 information is shifted into the LSB of R5.

```
BIT.B #2,&P1IN ; Information -> Carry
RLC R5 ; Carry=P0in.1 -> LSB of R5
```

Example The MEM(LEO) content is shifted left one position.

```
RLC.B LEO ; Mem(LEO) x 2 + C -> Mem(LEO)
```

NOTE: RLA substitution

The assembler does not recognize the instructions:

```
RLC @R5+ RLC.B @R5+ RLC(.B) @R5
```

They must be substituted by:

```
ADDC @R5+,-2(R5) ADDC.B @R5+,-1(R5) ADDC(.B) @R5
```

4.6.2.40 RRA

RRA[.W]	Rotate right arithmetically destination word
RRA.B	Rotate right arithmetically destination byte
Syntax	RRA.B dst OR RRA.W dst
Operation	MSB → MSB → MSB-1 → ... LSB+1 → LSB → C
Description	The destination operand is shifted right arithmetically by one bit position as shown in Figure 4-40 . The MSB retains its value (sign). RRA operates equal to a signed division by 2. The MSB is retained and shifted into the MSB-1. The LSB+1 is shifted into the LSB. The previous LSB is shifted into the carry bit C.
Status Bits	N: Set if result is negative (MSB = 1), reset otherwise (MSB = 0) Z: Set if result is zero, reset otherwise C: Loaded from the LSB V: Reset
Mode Bits	OSCOFF, CPUOFF, and GIE are not affected.
Example	The signed 16-bit number in R5 is shifted arithmetically right one position.

```
RRA R5 ; R5/2 -> R5
```

Example The signed RAM byte EDE is shifted arithmetically right one position.

```
RRA.B EDE ; EDE/2 -> EDE
```

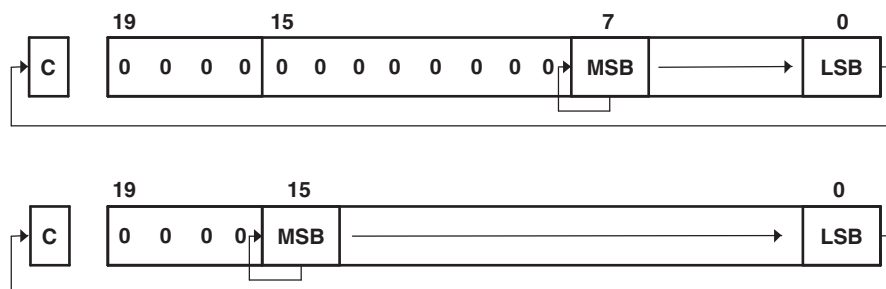


Figure 4-40. Rotate Right Arithmetically RRA.B and RRA.W

4.6.2.41 RRC

RRC[.W] Rotate right through carry destination word

RRC.B Rotate right through carry destination byte

Syntax RRC dst OF RRC.W dst
RRC.B dst

Operation C → MSB → MSB-1 → ... LSB+1 → LSB → C

Description The destination operand is shifted right by one bit position as shown in Figure 4-41. The carry bit C is shifted into the MSB and the LSB is shifted into the carry bit C.

Status Bits N: Set if result is negative (MSB = 1), reset otherwise (MSB = 0)

Z: Set if result is zero, reset otherwise

C: Loaded from the LSB

V: Reset

Mode Bits OSCOFF, CPUOFF, and GIE are not affected.

Example RAM word EDE is shifted right one bit position. The MSB is loaded with 1.

```
SETC          ; Prepare carry for MSB
RRC  EDE     ; EDE = EDE >> 1 + 8000h
```

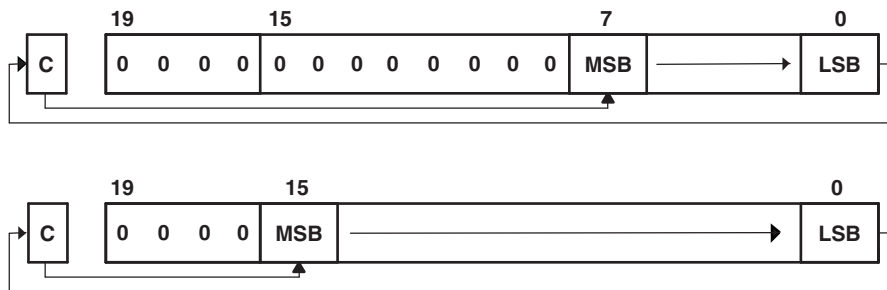


Figure 4-41. Rotate Right Through Carry RRC.B and RRC.W

4.6.2.42 SBC

* SBC[W]	Subtract borrow (.NOT. carry) from destination
* SBC.B	Subtract borrow (.NOT. carry) from destination
Syntax	SBC dst OR SBC.W dst SBC.B dst
Operation	dst + 0FFFFh + C → dst dst + 0FFh + C → dst
Emulation	SUBC #0, dst SBC.B #0, dst
Description	The carry bit (C) is added to the destination operand minus one. The previous contents of the destination are lost.
Status Bits	N: Set if result is negative, reset if positive Z: Set if result is zero, reset otherwise C: Set if there is a carry from the MSB of the result, reset otherwise Set to 1 if no borrow, reset if borrow V: Set if an arithmetic overflow occurs, reset otherwise
Mode Bits	OSCOFF, CPUOFF, and GIE are not affected.
Example	The 16-bit counter pointed to by R13 is subtracted from a 32-bit counter pointed to by R12.

```

SUB    @R13,0(R12)    ; Subtract LSDs
SBC    2(R12)         ; Subtract carry from MSD

```

Example The 8-bit counter pointed to by R13 is subtracted from a 16-bit counter pointed to by R12.

```

SUB.B  @R13,0(R12)    ; Subtract LSDs
SBC.B  1(R12)         ; Subtract carry from MSD

```

NOTE: Borrow implementation

The borrow is treated as a .NOT. carry:

Borrow	Carry Bit
Yes	0
No	1

4.6.2.43 SETC

* SETC	Set carry bit
Syntax	SETC
Operation	1 → C
Emulation	BIS #1,SR
Description	The carry bit (C) is set.
Status Bits	N: Not affected Z: Not affected C: Set V: Not affected
Mode Bits	OSCOFF, CPUOFF, and GIE are not affected.
Example	Emulation of the decimal subtraction: Subtract R5 from R6 decimally. Assume that R5 = 03987h and R6 = 04137h.

```

DSUB  ADD    #06666h,R5    ; Move content R5 from 0-9 to 6-0Fh
                                ; R5 = 03987h + 06666h = 09FEDh
                                ; Invert this (result back to 0-9)
                                ; R5 = .NOT. R5 = 06012h
                                ; Prepare carry = 1
SETC                                     ; Prepare carry = 1
DADD  R5,R6    ; Emulate subtraction by addition of:
                                ; (010000h - R5 - 1)
                                ; R6 = R6 + R5 + 1
                                ; R6 = 0150h
    
```

4.6.2.44 SETN

* SETN	Set negative bit
Syntax	SETN
Operation	1 → N
Emulation	BIS #4, SR
Description	The negative bit (N) is set.
Status Bits	N: Set Z: Not affected C: Not affected V: Not affected
Mode Bits	OSCOFF, CPUOFF, and GIE are not affected.

4.6.2.45 SETZ

* SETZ	Set zero bit
Syntax	SETZ
Operation	1 → N
Emulation	BIS #2, SR
Description	The zero bit (Z) is set.
Status Bits	N: Not affected Z: Set C: Not affected V: Not affected
Mode Bits	OSCOFF, CPUOFF, and GIE are not affected.

4.6.2.46 SUB

SUB[.W]	Subtract source word from destination word
SUB.B	Subtract source byte from destination byte
Syntax	SUB src,dst OR SUB.W src,dst SUB.B src,dst
Operation	(.not.src) + 1 + dst → dst or dst – src → dst
Description	The source operand is subtracted from the destination operand. This is made by adding the 1s complement of the source + 1 to the destination. The source operand is not affected, the result is written to the destination operand.
Status Bits	N: Set if result is negative (src > dst), reset if positive (src ≤ dst) Z: Set if result is zero (src = dst), reset otherwise (src ≠ dst) C: Set if there is a carry from the MSB, reset otherwise V: Set if the subtraction of a negative source operand from a positive destination operand delivers a negative result, or if the subtraction of a positive source operand from a negative destination operand delivers a positive result, reset otherwise (no overflow)
Mode Bits	OSCOFF, CPUOFF, and GIE are not affected.
Example	A 16-bit constant 7654h is subtracted from RAM word EDE.
	<pre>SUB #7654h,&EDE ; Subtract 7654h from EDE</pre>
Example	A table word pointed to by R5 (20-bit address) is subtracted from R7. Afterwards, if R7 contains zero, jump to label TONI. R5 is then auto-incremented by 2. R7.19:16 = 0.
	<pre>SUB @R5+,R7 ; Subtract table number from R7. R5 + 2 JZ TONI ; R7 = @R5 (before subtraction) ... ; R7 <> @R5 (before subtraction)</pre>
Example	Byte CNT is subtracted from byte R12 points to. The address of CNT is within PC ± 32K. The address R12 points to is in full memory range.
	<pre>SUB.B CNT,0(R12) ; Subtract CNT from @R12</pre>

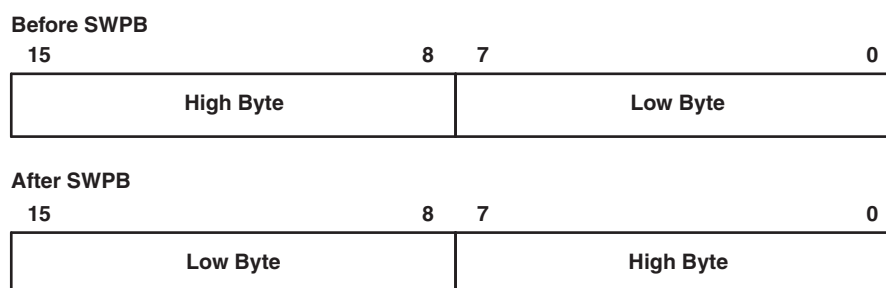
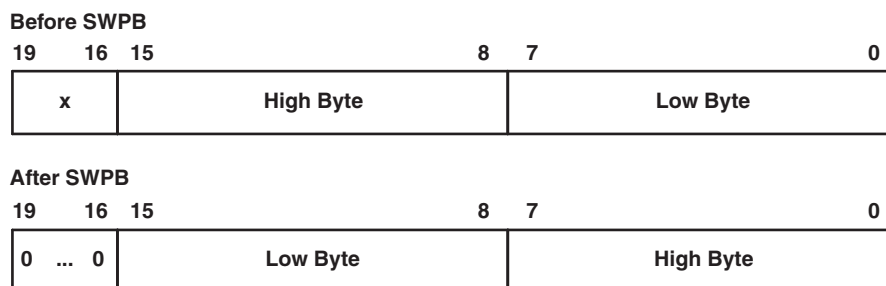
4.6.2.47 SUBC

SUBC[W]	Subtract source word with carry from destination word
SUBC.B	Subtract source byte with carry from destination byte
Syntax	SUBC src,dst OR SUBC.W src,dst SUBC.B src,dst
Operation	$(.not.src) + C + dst \rightarrow dst$ or $dst - (src - 1) + C \rightarrow dst$
Description	The source operand is subtracted from the destination operand. This is done by adding the 1s complement of the source + carry to the destination. The source operand is not affected, the result is written to the destination operand. Used for 32, 48, and 64-bit operands.
Status Bits	N: Set if result is negative (MSB = 1), reset if positive (MSB = 0) Z: Set if result is zero, reset otherwise C: Set if there is a carry from the MSB, reset otherwise V: Set if the subtraction of a negative source operand from a positive destination operand delivers a negative result, or if the subtraction of a positive source operand from a negative destination operand delivers a positive result, reset otherwise (no overflow)
Mode Bits	OSCOFF, CPUOFF, and GIE are not affected.
Example	A 16-bit constant 7654h is subtracted from R5 with the carry from the previous instruction. R5.19:16 = 0
	<pre>SUBC.W #7654h,R5 ; Subtract 7654h + C from R5</pre>
Example	A 48-bit number (3 words) pointed to by R5 (20-bit address) is subtracted from a 48-bit counter in RAM, pointed to by R7. R5 points to the next 48-bit number afterwards. The address R7 points to is in full memory range.
	<pre>SUB @R5+,0(R7) ; Subtract LSBs. R5 + 2 SUBC @R5+,2(R7) ; Subtract MIDs with C. R5 + 2 SUBC @R5+,4(R7) ; Subtract MSBs with C. R5 + 2</pre>
Example	Byte CNT is subtracted from the byte, R12 points to. The carry of the previous instruction is used. The address of CNT is in lower 64 K.
	<pre>SUBC.B &CNT,0(R12) ; Subtract byte CNT from @R12</pre>

4.6.2.48 SWPB

SWPB	Swap bytes
Syntax	SWPB <i>dst</i>
Operation	<i>dst</i> .15:8 ↔ <i>dst</i> .7:0
Description	The high and the low byte of the operand are exchanged. PC.19:16 bits are cleared in register mode.
Status Bits	Status bits are not affected
Mode Bits	OSCOFF, CPUOFF, and GIE are not affected.
Example	Exchange the bytes of RAM word EDE (lower 64 K)

```
MOV    #1234h,&EDE    ; 1234h -> EDE
SWPB  &EDE           ; 3412h -> EDE
```

**Figure 4-42. Swap Bytes in Memory****Figure 4-43. Swap Bytes in a Register**

4.6.2.49 SXT

SXT	Extend sign
Syntax	SXT dst
Operation	dst.7 → dst.15:8, dst.7 → dst.19:8 (register mode)
Description	Register mode: the sign of the low byte of the operand is extended into the bits Rdst.19:8. Rdst.7 = 0: Rdst.19:8 = 000h afterwards Rdst.7 = 1: Rdst.19:8 = FFFh afterwards Other modes: the sign of the low byte of the operand is extended into the high byte. dst.7 = 0: high byte = 00h afterwards dst.7 = 1: high byte = FFh afterwards
Status Bits	N: Set if result is negative, reset otherwise Z: Set if result is zero, reset otherwise C: Set if result is not zero, reset otherwise (C = .not.Z) V: Reset
Mode Bits	OSCOFF, CPUOFF, and GIE are not affected.
Example	The signed 8-bit data in EDE (lower 64 K) is sign extended and added to the 16-bit signed data in R7.
	<pre> MOV.B &EDE,R5 ; EDE -> R5. 00XXh SXT R5 ; Sign extend low byte to R5.19:8 ADD R5,R7 ; Add signed 16-bit values </pre>
Example	The signed 8-bit data in EDE (PC +32 K) is sign extended and added to the 20-bit data in R7.
	<pre> MOV.B EDE,R5 ; EDE -> R5. 00XXh SXT R5 ; Sign extend low byte to R5.19:8 ADDA R5,R7 ; Add signed 20-bit values </pre>

4.6.2.50 TST

* TST.W]	Test destination
* TST.B	Test destination
Syntax	TST dst OR TST.W dst TST.B dst
Operation	dst + 0FFFFh + 1 dst + 0FFh + 1
Emulation	CMP #0, dst CMP.B #0, dst
Description	The destination operand is compared with zero. The status bits are set according to the result. The destination is not affected.
Status Bits	N: Set if destination is negative, reset if positive Z: Set if destination contains zero, reset otherwise C: Set V: Reset
Mode Bits	OSCOFF, CPUOFF, and GIE are not affected.
Example	R7 is tested. If it is negative, continue at R7NEG; if it is positive but not zero, continue at R7POS.

```

TST    R7        ; Test R7
JN     R7NEG     ; R7 is negative
JZ     R7ZERO    ; R7 is zero
R7POS  .....    ; R7 is positive but not zero
R7NEG  .....    ; R7 is negative
R7ZERO .....    ; R7 is zero

```

Example	The low byte of R7 is tested. If it is negative, continue at R7NEG; if it is positive but not zero, continue at R7POS.
----------------	--

```

TST.B  R7        ; Test low byte of R7
JN     R7NEG     ; Low byte of R7 is negative
JZ     R7ZERO    ; Low byte of R7 is zero
R7POS  .....    ; Low byte of R7 is positive but not zero
R7NEG  .....    ; Low byte of R7 is negative
R7ZERO .....    ; Low byte of R7 is zero

```

4.6.2.51 XOR

XOR[W] Exclusive OR source word with destination word

XOR.B Exclusive OR source byte with destination byte

Syntax XOR src,dst OR XOR.W src,dst
XOR.B src,dst

Operation src .xor. dst → dst

Description The source and destination operands are exclusively ORed. The result is placed into the destination. The source operand is not affected. The previous content of the destination is lost.

Status Bits N: Set if result is negative (MSB = 1), reset if positive (MSB = 0)
Z: Set if result is zero, reset otherwise
C: Set if result is not zero, reset otherwise (C = .not. Z)
V: Set if both operands are negative before execution, reset otherwise

Mode Bits OSCOFF, CPUOFF, and GIE are not affected.

Example Toggle bits in word CNTR (16-bit data) with information (bit = 1) in address-word TONI. Both operands are located in lower 64 K.

```
XOR    &TONI,&CNTR    ; Toggle bits in CNTR
```

Example A table word pointed to by R5 (20-bit address) is used to toggle bits in R6. R6.19:16 = 0.

```
XOR    @R5,R6        ; Toggle bits in R6
```

Example Reset to zero those bits in the low byte of R7 that are different from the bits in byte EDE. R7.19:8 = 0. The address of EDE is within PC ± 32 K.

```
XOR.B  EDE,R7        ; Set different bits to 1 in R7.  
INV.B  R7             ; Invert low byte of R7, high byte is 0h
```

4.6.3 Extended Instructions

The extended MSP430X instructions give the MSP430X CPU full access to its 20-bit address space. MSP430X instructions require an additional word of op-code called the extension word. All addresses, indexes, and immediate numbers have 20-bit values when preceded by the extension word. The MSP430X extended instructions are listed and described in the following pages.

4.6.3.1 ADCX

* **ADCX.A** Add carry to destination address-word

* **ADCX.[W]** Add carry to destination word

* **ADCX.B** Add carry to destination byte

Syntax ADCX.A dst
 ADCX dst or ADCX.W dst
 ADCX.B dst

Operation dst + C → dst

Emulation ADDCX.A #0, dst
 ADDCX #0, dst
 ADDCX.B #0, dst

Description The carry bit (C) is added to the destination operand. The previous contents of the destination are lost.

Status Bits N: Set if result is negative (MSB = 1), reset if positive (MSB = 0)
 Z: Set if result is zero, reset otherwise
 C: Set if there is a carry from the MSB of the result, reset otherwise
 V: Set if the result of two positive operands is negative, or if the result of two negative numbers is positive, reset otherwise

Mode Bits OSCOFF, CPUOFF, and GIE are not affected.

Example The 40-bit counter, pointed to by R12 and R13, is incremented.

```
INCX.A    @R12       ; Increment lower 20 bits
ADCX.A    @R13       ; Add carry to upper 20 bits
```

4.6.3.2 ADDX

ADDX.A Add source address-word to destination address-word

ADDX.[W] Add source word to destination word

ADDX.B Add source byte to destination byte

Syntax `ADDX.A src,dst`

`ADDX src,dst Or ADDX.W src,dst`

`ADDX.B src,dst`

Operation `src + dst → dst`

Description The source operand is added to the destination operand. The previous contents of the destination are lost. Both operands can be located in the full address space.

Status Bits N: Set if result is negative (MSB = 1), reset if positive (MSB = 0)

Z: Set if result is zero, reset otherwise

C: Set if there is a carry from the MSB of the result, reset otherwise

V: Set if the result of two positive operands is negative, or if the result of two negative numbers is positive, reset otherwise

Mode Bits OSCOFF, CPUOFF, and GIE are not affected.

Example Ten is added to the 20-bit pointer CNTR located in two words CNTR (LSBs) and CNTR+2 (MSBs).

```
ADDX.A #10,CNTR ; Add 10 to 20-bit pointer
```

Example A table word (16-bit) pointed to by R5 (20-bit address) is added to R6. The jump to label TONI is performed on a carry.

```
ADDX.W @R5,R6 ; Add table word to R6
JC TONI ; Jump if carry
... ; No carry
```

Example A table byte pointed to by R5 (20-bit address) is added to R6. The jump to label TONI is performed if no carry occurs. The table pointer is auto-incremented by 1.

```
ADDX.B @R5+,R6 ; Add table byte to R6. R5 + 1. R6: 000xxh
JNC TONI ; Jump if no carry
... ; Carry occurred
```

Note: Use ADDA for the following two cases for better code density and execution.

```
ADDX.A Rsrc,Rdst
ADDX.A #imm20,Rdst
```


4.6.3.3 ADDCX

ADDCX.A Add source address-word and carry to destination address-word

ADDCX.[W] Add source word and carry to destination word

ADDCX.B Add source byte and carry to destination byte

Syntax
 ADDCX.A src,dst
 ADDCX src,dst Or ADDCX.W src,dst
 ADDCX.B src,dst

Operation src + dst + C → dst

Description The source operand and the carry bit C are added to the destination operand. The previous contents of the destination are lost. Both operands may be located in the full address space.

Status Bits
 N: Set if result is negative (MSB = 1), reset if positive (MSB = 0)
 Z: Set if result is zero, reset otherwise
 C: Set if there is a carry from the MSB of the result, reset otherwise
 V: Set if the result of two positive operands is negative, or if the result of two negative numbers is positive, reset otherwise

Mode Bits OSCOFF, CPUOFF, and GIE are not affected.

Example Constant 15 and the carry of the previous instruction are added to the 20-bit counter CNTR located in two words.

```
ADDCX.A #15,&CNTR ; Add 15 + C to 20-bit CNTR
```

Example A table word pointed to by R5 (20-bit address) and the carry C are added to R6. The jump to label TONI is performed on a carry.

```
ADDCX.W @R5,R6 ; Add table word + C to R6
JC TONI ; Jump if carry
... ; No carry
```

Example A table byte pointed to by R5 (20-bit address) and the carry bit C are added to R6. The jump to label TONI is performed if no carry occurs. The table pointer is auto-incremented by 1.

```
ADDCX.B @R5+,R6 ; Add table byte + C to R6. R5 + 1
JNC TONI ; Jump if no carry
... ; Carry occurred
```

4.6.3.4 ANDX

ANDX.A Logical AND of source address-word with destination address-word

ANDX.[W] Logical AND of source word with destination word

ANDX.B Logical AND of source byte with destination byte

Syntax
 ANDX.A *src,dst*
 ANDX *src,dst* OR ANDX.W *src,dst*
 ANDX.B *src,dst*

Operation *src .and. dst* → *dst*

Description The source operand and the destination operand are logically ANDed. The result is placed into the destination. The source operand is not affected. Both operands may be located in the full address space.

Status Bits
 N: Set if result is negative (MSB = 1), reset if positive (MSB = 0)
 Z: Set if result is zero, reset otherwise
 C: Set if the result is not zero, reset otherwise. C = (.not. Z)
 V: Reset

Mode Bits OSCOFF, CPUOFF, and GIE are not affected.

Example The bits set in R5 (20-bit data) are used as a mask (AAA55h) for the address-word TOM located in two words. If the result is zero, a branch is taken to label TONI.

```
MOVA    #AAA55h,R5      ; Load 20-bit mask to R5
ANDX.A  R5,TOM          ; TOM .and. R5 -> TOM
JZ      TONI            ; Jump if result 0
...     ; Result > 0
```

or shorter:

```
ANDX.A  #AAA55h,TOM     ; TOM .and. AAA55h -> TOM
JZ      TONI            ; Jump if result 0
```

Example A table byte pointed to by R5 (20-bit address) is logically ANDed with R6. R6.19:8 = 0. The table pointer is auto-incremented by 1.

```
ANDX.B  @R5+,R6        ; AND table byte with R6. R5 + 1
```

4.6.3.5 BICX

BICX.A Clear bits set in source address-word in destination address-word

BICX.[W] Clear bits set in source word in destination word

BICX.B Clear bits set in source byte in destination byte

Syntax
 BICX.A *src,dst*
 BICX *src,dst* OR BICX.W *src,dst*
 BICX.B *src,dst*

Operation (.not. *src*) .and. *dst* → *dst*

Description The inverted source operand and the destination operand are logically ANDed. The result is placed into the destination. The source operand is not affected. Both operands may be located in the full address space.

Status Bits
 N: Not affected
 Z: Not affected
 C: Not affected
 V: Not affected

Mode Bits OSCOFF, CPUOFF, and GIE are not affected.

Example The bits 19:15 of R5 (20-bit data) are cleared.

```
BICX.A    #0F8000h,R5    ; Clear R5.19:15 bits
```

Example A table word pointed to by R5 (20-bit address) is used to clear bits in R7. R7.19:16 = 0.

```
BICX.W    @R5,R7        ; Clear bits in R7
```

Example A table byte pointed to by R5 (20-bit address) is used to clear bits in output Port1.

```
BICX.B    @R5,&P1OUT     ; Clear I/O port P1 bits
```

4.6.3.6 BISX

BISX.A	Set bits set in source address-word in destination address-word
BISX.[W]	Set bits set in source word in destination word
BISX.B	Set bits set in source byte in destination byte
Syntax	BISX.A <i>src,dst</i> BISX <i>src,dst</i> OR BISX.W <i>src,dst</i> BISX.B <i>src,dst</i>
Operation	<i>src .or. dst</i> → <i>dst</i>
Description	The source operand and the destination operand are logically ORed. The result is placed into the destination. The source operand is not affected. Both operands may be located in the full address space.
Status Bits	N: Not affected Z: Not affected C: Not affected V: Not affected
Mode Bits	OSCOFF, CPUOFF, and GIE are not affected.
Example	Bits 16 and 15 of R5 (20-bit data) are set to one.

```
BISX.A    #018000h,R5    ; Set R5.16:15 bits
```

Example A table word pointed to by R5 (20-bit address) is used to set bits in R7.

```
BISX.W    @R5,R7        ; Set bits in R7
```

Example A table byte pointed to by R5 (20-bit address) is used to set bits in output Port1.

```
BISX.B    @R5,&P1OUT     ; Set I/O port P1 bits
```

4.6.3.7 BITX

BITX.A Test bits set in source address-word in destination address-word

BITX.[W] Test bits set in source word in destination word

BITX.B Test bits set in source byte in destination byte

Syntax
 BITX.A *src,dst*
 BITX *src,dst* OR BITX.W *src,dst*
 BITX.B *src,dst*

Operation *src* .and. *dst* → *dst*

Description The source operand and the destination operand are logically ANDed. The result affects only the status bits. Both operands may be located in the full address space.

Status Bits
 N: Set if result is negative (MSB = 1), reset if positive (MSB = 0)
 Z: Set if result is zero, reset otherwise
 C: Set if the result is not zero, reset otherwise. C = (.not. Z)
 V: Reset

Mode Bits OSCOFF, CPUOFF, and GIE are not affected.

Example Test if bit 16 or 15 of R5 (20-bit data) is set. Jump to label TONI if so.

```

BITX.A  #018000h,R5      ; Test R5.16:15 bits
JNZ     TONI             ; At least one bit is set
...                               ; Both are reset
    
```

Example A table word pointed to by R5 (20-bit address) is used to test bits in R7. Jump to label TONI if at least one bit is set.

```

BITX.W  @R5,R7          ; Test bits in R7: C = .not.Z
JC      TONI            ; At least one is set
...                               ; Both are reset
    
```

Example A table byte pointed to by R5 (20-bit address) is used to test bits in input Port1. Jump to label TONI if no bit is set. The next table byte is addressed.

```

BITX.B  @R5+,&P1IN      ; Test input P1 bits. R5 + 1
JNC     TONI            ; No corresponding input bit is set
...                               ; At least one bit is set
    
```

4.6.3.8 CLRX

* CLRX.A	Clear destination address-word
* CLRX.[W]	Clear destination word
* CLRX.B	Clear destination byte
Syntax	<pre>CLRX.A dst CLRX dst or CLRX.W dst CLRX.B dst</pre>
Operation	0 → dst
Emulation	<pre>MOVX.A #0, dst MOVX #0, dst MOVX.B #0, dst</pre>
Description	The destination operand is cleared.
Status Bits	Status bits are not affected.
Mode Bits	OSCOFF, CPUOFF, and GIE are not affected.
Example	RAM address-word TONI is cleared.

```
CLRX.A TONI ; 0 -> TONI
```

4.6.3.9 CMPX

CMPX.A	Compare source address-word and destination address-word
CMPX.[W]	Compare source word and destination word
CMPX.B	Compare source byte and destination byte
Syntax	CMPX.A <i>src,dst</i> CMPX <i>src,dst</i> OR CMPX.W <i>src,dst</i> CMPX.B <i>src,dst</i>
Operation	(.not. <i>src</i>) + 1 + <i>dst</i> or <i>dst</i> – <i>src</i>
Description	The source operand is subtracted from the destination operand by adding the 1s complement of the source + 1 to the destination. The result affects only the status bits. Both operands may be located in the full address space.
Status Bits	N: Set if result is negative (<i>src</i> > <i>dst</i>), reset if positive (<i>src</i> ≤ <i>dst</i>) Z: Set if result is zero (<i>src</i> = <i>dst</i>), reset otherwise (<i>src</i> ≠ <i>dst</i>) C: Set if there is a carry from the MSB, reset otherwise V: Set if the subtraction of a negative source operand from a positive destination operand delivers a negative result, or if the subtraction of a positive source operand from a negative destination operand delivers a positive result, reset otherwise (no overflow)
Mode Bits	OSCOFF, CPUOFF, and GIE are not affected.
Example	Compare EDE with a 20-bit constant 18000h. Jump to label TONI if EDE equals the constant.

```

CMPX.A    #018000h,EDE    ; Compare EDE with 18000h
JEQ      TONI            ; EDE contains 18000h
...      ; Not equal
    
```

Example A table word pointed to by R5 (20-bit address) is compared with R7. Jump to label TONI if R7 contains a lower, signed, 16-bit number.

```

CMPX.W    @R5,R7        ; Compare two signed numbers
JL       TONI           ; R7 < @R5
...      ; R7 >= @R5
    
```

Example A table byte pointed to by R5 (20-bit address) is compared to the input in I/O Port1. Jump to label TONI if the values are equal. The next table byte is addressed.

```

CMPX.B    @R5+,&P1IN    ; Compare P1 bits with table. R5 + 1
JEQ      TONI           ; Equal contents
...      ; Not equal
    
```

Note: Use CMPA for the following two cases for better density and execution.

```

CMPA     Rsrc,Rdst
CMPA     #imm20,Rdst
    
```

4.6.3.10 DADCX

* **DADCX.A** Add carry decimally to destination address-word

* **DADCX.[W]** Add carry decimally to destination word

* **DADCX.B** Add carry decimally to destination byte

Syntax DADCX.A dst
 DADCX dst or DADCX.W dst
 DADCX.B dst

Operation dst + C → dst (decimally)

Emulation DADDX.A #0, dst

DADDX #0, dst

DADDX.B #0, dst

Description The carry bit (C) is added decimally to the destination.

Status Bits N: Set if MSB of result is 1 (address-word > 79999h, word > 7999h, byte > 79h), reset if MSB is 0

Z: Set if result is zero, reset otherwise

C: Set if the BCD result is too large (address-word > 99999h, word > 9999h, byte > 99h), reset otherwise

V: Undefined

Mode Bits OSCOFF, CPUOFF, and GIE are not affected.

Example The 40-bit counter, pointed to by R12 and R13, is incremented decimally.

```
DADDX.A #1,0(R12) ; Increment lower 20 bits
DADCX.A 0(R13) ; Add carry to upper 20 bits
```


4.6.3.11 DADDX

DADDX.A	Add source address-word and carry decimally to destination address-word
DADDX.[W]	Add source word and carry decimally to destination word
DADDX.B	Add source byte and carry decimally to destination byte
Syntax	DADDX.A src,dst DADDX src,dst Or DADDX.W src,dst DADDX.B src,dst
Operation	src + dst + C → dst (decimally)
Description	The source operand and the destination operand are treated as two (.B), four (.W), or five (.A) binary coded decimals (BCD) with positive signs. The source operand and the carry bit C are added decimally to the destination operand. The source operand is not affected. The previous contents of the destination are lost. The result is not defined for non-BCD numbers. Both operands may be located in the full address space.
Status Bits	N: Set if MSB of result is 1 (address-word > 79999h, word > 7999h, byte > 79h), reset if MSB is 0. Z: Set if result is zero, reset otherwise C: Set if the BCD result is too large (address-word > 99999h, word > 9999h, byte > 99h), reset otherwise V: Undefined
Mode Bits	OSCOFF, CPUOFF, and GIE are not affected.
Example	Decimal 10 is added to the 20-bit BCD counter DECCNTR located in two words.

```
DADDX.A #10h,&DECCNTR ; Add 10 to 20-bit BCD counter
```

Example The eight-digit BCD number contained in 20-bit addresses BCD and BCD+2 is added decimally to an eight-digit BCD number contained in R4 and R5 (BCD+2 and R5 contain the MSDs).

```
CLRC ; Clear carry
DADDX.W BCD,R4 ; Add LSDs
DADDX.W BCD+2,R5 ; Add MSDs with carry
JC OVERFLOW ; Result >99999999: go to error routine
... ; Result ok
```

Example The two-digit BCD number contained in 20-bit address BCD is added decimally to a two-digit BCD number contained in R4.

```
CLRC ; Clear carry
DADDX.B BCD,R4 ; Add BCD to R4 decimally.
; R4: 000ddh
```

4.6.3.12 DECX

* DECX.A	Decrement destination address-word
* DECX.[W]	Decrement destination word
* DECX.B	Decrement destination byte
Syntax	DECX.A dst DECX dst or DECX.W dst DECX.B dst
Operation	dst – 1 → dst
Emulation	SUBX.A #1, dst SUBX #1, dst SUBX.B #1, dst
Description	The destination operand is decremented by one. The original contents are lost.
Status Bits	N: Set if result is negative, reset if positive Z: Set if dst contained 1, reset otherwise C: Reset if dst contained 0, set otherwise V: Set if an arithmetic overflow occurs, otherwise reset
Mode Bits	OSCOFF, CPUOFF, and GIE are not affected.
Example	RAM address-word TONI is decremented by one.

```
DECX.A TONI ; Decrement TONI
```

4.6.3.13 DECDX

* **DECDX.A** Double-decrement destination address-word

* **DECDX.[W]** Double-decrement destination word

* **DECDX.B** Double-decrement destination byte

Syntax DECDX.A dst
 DECDX dst **or** DECDX.W dst
 DECDX.B dst

Operation $dst - 2 \rightarrow dst$

Emulation SUBX.A #2, dst
 SUBX #2, dst
 SUBX.B #2, dst

Description The destination operand is decremented by two. The original contents are lost.

Status Bits N: Set if result is negative, reset if positive
 Z: Set if dst contained 2, reset otherwise
 C: Reset if dst contained 0 or 1, set otherwise
 V: Set if an arithmetic overflow occurs, otherwise reset

Mode Bits OSCOFF, CPUOFF, and GIE are not affected.

Example RAM address-word TONI is decremented by two.

```
DECDX.A    TONI        ; Decrement TONI
```

4.6.3.14 INCX

* INCX.A	Increment destination address-word
* INCX.[W]	Increment destination word
* INCX.B	Increment destination byte
Syntax	<pre>INCX.A dst INCX dst or INCX.W dst INCX.B dst</pre>
Operation	$dst + 1 \rightarrow dst$
Emulation	<pre>ADDX.A #1, dst ADDX #1, dst ADDX.B #1, dst</pre>
Description	The destination operand is incremented by one. The original contents are lost.
Status Bits	<p>N: Set if result is negative, reset if positive</p> <p>Z: Set if dst contained 0FFFFFFh, reset otherwise Set if dst contained 0FFFFh, reset otherwise Set if dst contained 0FFh, reset otherwise</p> <p>C: Set if dst contained 0FFFFFFh, reset otherwise Set if dst contained 0FFFFh, reset otherwise Set if dst contained 0FFh, reset otherwise</p> <p>V: Set if dst contained 07FFFh, reset otherwise Set if dst contained 07FFFh, reset otherwise Set if dst contained 07Fh, reset otherwise</p>
Mode Bits	OSCOFF, CPUOFF, and GIE are not affected.
Example	RAM address-wordTONI is incremented by one.
	<pre>INCX.A TONI ; Increment TONI (20-bits)</pre>

4.6.3.15 INCDX

* INCDX.A	Double-increment destination address-word
* INCDX.[W]	Double-increment destination word
* INCDX.B	Double-increment destination byte
Syntax	INCDX.A dst INCDX dst or INCDX.W dst INCDX.B dst
Operation	dst + 2 → dst
Emulation	ADDX.A #2, dst ADDX #2, dst ADDX.B #2, dst
Description	The destination operand is incremented by two. The original contents are lost.
Status Bits	N: Set if result is negative, reset if positive Z: Set if dst contained 0FFFFEh, reset otherwise Set if dst contained 0FFFEh, reset otherwise Set if dst contained 0FEh, reset otherwise C: Set if dst contained 0FFFFEh or 0FFFFFFh, reset otherwise Set if dst contained 0FFFEh or 0FFFFh, reset otherwise Set if dst contained 0FEh or 0FFh, reset otherwise V: Set if dst contained 07FFFEh or 07FFFFh, reset otherwise Set if dst contained 07FFEh or 07FFFh, reset otherwise Set if dst contained 07Eh or 07Fh, reset otherwise
Mode Bits	OSCOFF, CPUOFF, and GIE are not affected.
Example	RAM byte LEO is incremented by two; PC points to upper memory.
	INCDX.B LEO ; Increment LEO by two

4.6.3.16 INVX

* INVX.A	Invert destination
* INVX.[W]	Invert destination
* INVX.B	Invert destination
Syntax	<pre> INVX.A dst INVX dst or INVX.W dst INVX.B dst </pre>
Operation	.NOT.dst → dst
Emulation	<pre> XORX.A #0FFFFFFh, dst XORX #0FFFFFFh, dst XORX.B #0FFh, dst </pre>
Description	The destination operand is inverted. The original contents are lost.
Status Bits	<p>N: Set if result is negative, reset if positive</p> <p>Z: Set if dst contained 0FFFFFFh, reset otherwise Set if dst contained 0FFFFh, reset otherwise Set if dst contained 0FFh, reset otherwise</p> <p>C: Set if result is not zero, reset otherwise (= .NOT. Zero)</p> <p>V: Set if initial destination operand was negative, otherwise reset</p>
Mode Bits	OSCOFF, CPUOFF, and GIE are not affected.
Example	20-bit content of R5 is negated (2s complement).

```

INVX.A  R5      ; Invert R5
INCX.A  R5      ; R5 is now negated

```

Example Content of memory byte LEO is negated. PC is pointing to upper memory.

```

INVX.B  LEO     ; Invert LEO
INCX.B  LEO     ; MEM(LEO) is negated

```

4.6.3.17 MOVX

MOVX.A Move source address-word to destination address-word

MOVX.[W] Move source word to destination word

MOVX.B Move source byte to destination byte

Syntax MOVX.A src,dst

MOVX src,dst OR MOVX.W src,dst

MOVX.B src,dst

Operation src → dst

Description The source operand is copied to the destination. The source operand is not affected. Both operands may be located in the full address space.

Status Bits N: Not affected

Z: Not affected

C: Not affected

V: Not affected

Mode Bits OSCOFF, CPUOFF, and GIE are not affected.

Example Move a 20-bit constant 18000h to absolute address-word EDE

```
MOVX.A    #018000h,&EDE        ; Move 18000h to EDE
```

Example The contents of table EDE (word data, 20-bit addresses) are copied to table TOM. The length of the table is 030h words.

```

                MOVA    #EDE,R10                ; Prepare pointer (20-bit address)
Loop MOVX.W    @R10+,TOM-EDE-2(R10)            ; R10 points to both tables.
                ; R10+2
                CMPA    #EDE+60h,R10           ; End of table reached?
                JLO     Loop                    ; Not yet
                ...                               ; Copy completed
```

Example The contents of table EDE (byte data, 20-bit addresses) are copied to table TOM. The length of the table is 020h bytes.

```

                MOVA    #EDE,R10                ; Prepare pointer (20-bit)
                MOV     #20h,R9                 ; Prepare counter
Loop MOVX.W    @R10+,TOM-EDE-2(R10)            ; R10 points to both tables.
                ; R10+1
                DEC     R9                      ; Decrement counter
                JNZ     Loop                    ; Not yet done
                ...                               ; Copy completed
```

Ten of the 28 possible addressing combinations of the MOVX.A instruction can use the MOVA instruction. This saves two bytes and code cycles. Examples for the addressing combinations are:

MOVX.A	Rsrc,Rdst	MOVA	Rsrc,Rdst	; Reg/Reg
MOVX.A	#imm20,Rdst	MOVA	#imm20,Rdst	; Immediate/Reg
MOVX.A	&abs20,Rdst	MOVA	&abs20,Rdst	; Absolute/Reg
MOVX.A	@Rsrc,Rdst	MOVA	@Rsrc,Rdst	; Indirect/Reg
MOVX.A	@Rsrc+,Rdst	MOVA	@Rsrc+,Rdst	; Indirect,Auto/Reg
MOVX.A	Rsrc,&abs20	MOVA	Rsrc,&abs20	; Reg/Absolute

The next four replacements are possible only if 16-bit indexes are sufficient for the addressing:

MOVX.A	z20(Rsrc),Rdst	MOVA	z16(Rsrc),Rdst	; Indexed/Reg
MOVX.A	Rsrc,z20(Rdst)	MOVA	Rsrc,z16(Rdst)	; Reg/Indexed
MOVX.A	symb20,Rdst	MOVA	symb16,Rdst	; Symbolic/Reg
MOVX.A	Rsrc,symb20	MOVA	Rsrc,symb16	; Reg/Symbolic

4.6.3.18 POPM

POPM.A	Restore n CPU registers (20-bit data) from the stack
POPM.[W]	Restore n CPU registers (16-bit data) from the stack
Syntax	POPM.A #n,Rdst $1 \leq n \leq 16$ POPM.W #n,Rdst OR POPM #n,Rdst $1 \leq n \leq 16$
Operation	POPM.A: Restore the register values from stack to the specified CPU registers. The SP is incremented by four for each register restored from stack. The 20-bit values from stack (two words per register) are restored to the registers. POPM.W: Restore the 16-bit register values from stack to the specified CPU registers. The SP is incremented by two for each register restored from stack. The 16-bit values from stack (one word per register) are restored to the CPU registers. Note : This instruction does not use the extension word.
Description	POPM.A: The CPU registers pushed on the stack are moved to the extended CPU registers, starting with the CPU register (Rdst – n + 1). The SP is incremented by (n x 4) after the operation. POPM.W: The 16-bit registers pushed on the stack are moved back to the CPU registers, starting with CPU register (Rdst – n + 1). The SP is incremented by (n x 2) after the instruction. The MSBs (Rdst.19:16) of the restored CPU registers are cleared.
Status Bits	Status bits are not affected, except SR is included in the operation.
Mode Bits	OSCOFF, CPUOFF, and GIE are not affected.
Example	Restore the 20-bit registers R9, R10, R11, R12, R13 from the stack
	POPM.A #5,R13 ; Restore R9, R10, R11, R12, R13
Example	Restore the 16-bit registers R9, R10, R11, R12, R13 from the stack.
	POPM.W #5,R13 ; Restore R9, R10, R11, R12, R13

4.6.3.19 PUSHM

PUSHM.A	Save n CPU registers (20-bit data) on the stack
PUSHM.[W]	Save n CPU registers (16-bit words) on the stack
Syntax	<p>PUSHM.A #n,Rdst 1 ≤ n ≤ 16</p> <p>PUSHM.W #n,Rdst OR PUSHM #n,Rdst 1 ≤ n ≤ 16</p>
Operation	<p>PUSHM.A: Save the 20-bit CPU register values on the stack. The SP is decremented by four for each register stored on the stack. The MSBs are stored first (higher address).</p> <p>PUSHM.W: Save the 16-bit CPU register values on the stack. The SP is decremented by two for each register stored on the stack.</p>
Description	<p>PUSHM.A: The n CPU registers, starting with Rdst backwards, are stored on the stack. The SP is decremented by (n × 4) after the operation. The data (Rn.19:0) of the pushed CPU registers is not affected.</p> <p>PUSHM.W: The n registers, starting with Rdst backwards, are stored on the stack. The SP is decremented by (n × 2) after the operation. The data (Rn.19:0) of the pushed CPU registers is not affected.</p> <p>Note : This instruction does not use the extension word.</p>
Status Bits	Status bits are not affected.
Mode Bits	OSCOFF, CPUOFF, and GIE are not affected.
Example	Save the five 20-bit registers R9, R10, R11, R12, R13 on the stack
	<pre>PUSHM.A #5,R13 ; Save R13, R12, R11, R10, R9</pre>
Example	Save the five 16-bit registers R9, R10, R11, R12, R13 on the stack
	<pre>PUSHM.W #5,R13 ; Save R13, R12, R11, R10, R9</pre>

4.6.3.20 POPX

* **POPX.A** Restore single address-word from the stack

* **POPX.[W]** Restore single word from the stack

* **POPX.B** Restore single byte from the stack

Syntax POPX.A dst

POPX dst **or** POPX.W dst

POPX.B dst

Operation Restore the 8-, 16-, 20-bit value from the stack to the destination. 20-bit addresses are possible. The SP is incremented by two (byte and word operands) and by four (address-word operand).

Emulation MOVX(.B, .A) @SP+, dst

Description The item on TOS is written to the destination operand. Register mode, Indexed mode, Symbolic mode, and Absolute mode are possible. The SP is incremented by two or four.

Note: the SP is incremented by two also for byte operations.

Status Bits Status bits are not affected.

Mode Bits OSCOFF, CPUOFF, and GIE are not affected.

Example Write the 16-bit value on TOS to the 20-bit address &EDE

```
POPX.W    &EDE    ; Write word to address EDE
```

Example Write the 20-bit value on TOS to R9

```
POPX.A    R9      ; Write address-word to R9
```

4.6.3.21 PUSHX**PUSHX.A** Save single address-word to the stack**PUSHX.[W]** Save single word to the stack**PUSHX.B** Save single byte to the stack**Syntax** `PUSHX.A src``PUSHX src OR PUSHX.W src``PUSHX.B src`**Operation** Save the 8-, 16-, 20-bit value of the source operand on the TOS. 20-bit addresses are possible. The SP is decremented by two (byte and word operands) or by four (address-word operand) before the write operation.**Description** The SP is decremented by two (byte and word operands) or by four (address-word operand). Then the source operand is written to the TOS. All seven addressing modes are possible for the source operand.**Status Bits** Status bits are not affected.**Mode Bits** OSCOFF, CPUOFF, and GIE are not affected.**Example** Save the byte at the 20-bit address &EDE on the stack

```
PUSHX.B    &EDE    ; Save byte at address EDE
```

Example Save the 20-bit value in R9 on the stack.

```
PUSHX.A    R9      ; Save address-word in R9
```

4.6.3.22 RLAM

RLAM.A Rotate left arithmetically the 20-bit CPU register content

RLAM.[W] Rotate left arithmetically the 16-bit CPU register content

Syntax RLAM.A #n,Rdst 1 ≤ n ≤ 4

RLAM.W #n,Rdst OR RLAM #n,Rdst 1 ≤ n ≤ 4

Operation C ← MSB ← MSB-1 ... LSB+1 ← LSB ← 0

Description The destination operand is shifted arithmetically left one, two, three, or four positions as shown in Figure 4-44. RLAM works as a multiplication (signed and unsigned) with 2, 4, 8, or 16. The word instruction RLAM.W clears the bits Rdst.19:16.

Note : This instruction does not use the extension word.

Status Bits

- N: Set if result is negative
- .A: Rdst.19 = 1, reset if Rdst.19 = 0
- .W: Rdst.15 = 1, reset if Rdst.15 = 0
- Z: Set if result is zero, reset otherwise
- C: Loaded from the MSB (n = 1), MSB-1 (n = 2), MSB-2 (n = 3), MSB-3 (n = 4)
- V: Undefined

Mode Bits OSCOFF, CPUOFF, and GIE are not affected.

Example The 20-bit operand in R5 is shifted left by three positions. It operates equal to an arithmetic multiplication by 8.

```
RLAM.A #3,R5 ; R5 = R5 x 8
```

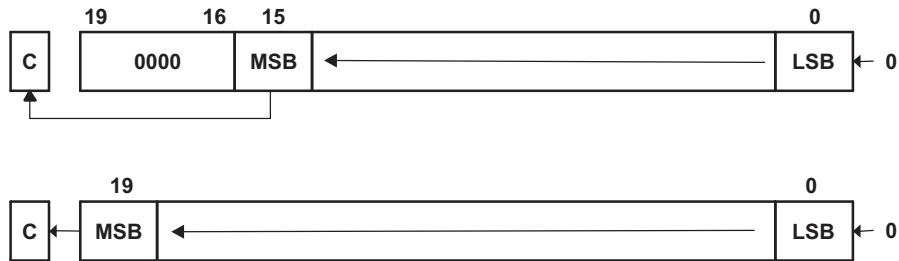


Figure 4-44. Rotate Left Arithmetically—RLAM.[W] and RLAM.A

4.6.3.23 RLAX

* **RLAX.A** Rotate left arithmetically address-word

* **RLAX.[W]** Rotate left arithmetically word

* **RLAX.B** Rotate left arithmetically byte

Syntax RLAX.A dst

RLAX dst OR RLAX.W dst

RLAX.B dst

Operation $C \leftarrow \text{MSB} \leftarrow \text{MSB}-1 \dots \text{LSB}+1 \leftarrow \text{LSB} \leftarrow 0$

Emulation ADDX.A dst, dst

ADDX dst, dst

ADDX.B dst, dst

Description The destination operand is shifted left one position as shown in Figure 4-45. The MSB is shifted into the carry bit (C) and the LSB is filled with 0. The RLAX instruction acts as a signed multiplication by 2.

Status Bits N: Set if result is negative, reset if positive

Z: Set if result is zero, reset otherwise

C: Loaded from the MSB

V: Set if an arithmetic overflow occurs: the initial value is $040000\text{h} \leq \text{dst} < 0\text{C}0000\text{h}$; reset otherwise

Set if an arithmetic overflow occurs: the initial value is $04000\text{h} \leq \text{dst} < 0\text{C}000\text{h}$; reset otherwise

Set if an arithmetic overflow occurs: the initial value is $040\text{h} \leq \text{dst} < 0\text{C}0\text{h}$; reset otherwise

Mode Bits OSCOFF, CPUOFF, and GIE are not affected.

Example The 20-bit value in R7 is multiplied by 2

```
RLAX.A R7 ; Shift left R7 (20-bit)
```

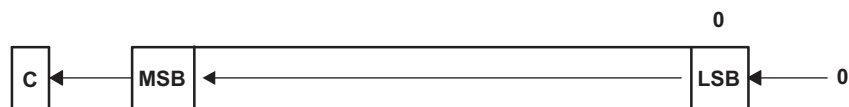


Figure 4-45. Destination Operand-Arithmetic Shift Left

4.6.3.24 RLCX

* **RLCX.A** Rotate left through carry address-word

* **RLCX.[W]** Rotate left through carry word

* **RLCX.B** Rotate left through carry byte

Syntax RLCX.A dst

RLCX dst OR RLCX.W dst

RLCX.B dst

Operation $C \leftarrow \text{MSB} \leftarrow \text{MSB}-1 \dots \text{LSB}+1 \leftarrow \text{LSB} \leftarrow C$

Emulation ADDCX.A dst, dst

ADDCX dst, dst

ADDCX.B dst, dst

Description The destination operand is shifted left one position as shown in Figure 4-46. The carry bit (C) is shifted into the LSB and the MSB is shifted into the carry bit (C).

Status Bits N: Set if result is negative, reset if positive

Z: Set if result is zero, reset otherwise

C: Loaded from the MSB

V: Set if an arithmetic overflow occurs: the initial value is $040000\text{h} \leq \text{dst} < 0\text{C}0000\text{h}$; reset otherwise

Set if an arithmetic overflow occurs: the initial value is $04000\text{h} \leq \text{dst} < 0\text{C}000\text{h}$; reset otherwise

Set if an arithmetic overflow occurs: the initial value is $040\text{h} \leq \text{dst} < 0\text{C}0\text{h}$; reset otherwise

Mode Bits OSCOFF, CPUOFF, and GIE are not affected.

Example The 20-bit value in R5 is shifted left one position.

```
RLCX.A R5 ; (R5 x 2) + C -> R5
```

Example The RAM byte LEO is shifted left one position. PC is pointing to upper memory.

```
RLCX.B LEO ; RAM(LEO) x 2 + C -> RAM(LEO)
```

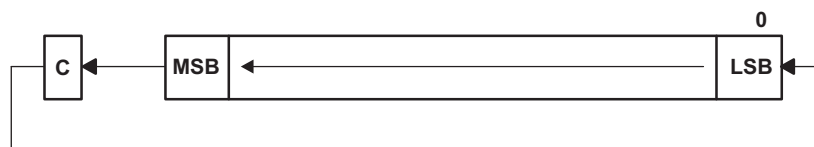


Figure 4-46. Destination Operand-Carry Left Shift

4.6.3.25 RRAM

RRAM.A Rotate right arithmetically the 20-bit CPU register content

RRAM.[W] Rotate right arithmetically the 16-bit CPU register content

Syntax RRAM.A #n,Rdst $1 \leq n \leq 4$

RRAM.W #n,Rdst OR RRAM #n,Rdst $1 \leq n \leq 4$

Operation MSB → MSB → MSB-1 ... LSB+1 → LSB → C

Description The destination operand is shifted right arithmetically by one, two, three, or four bit positions as shown in [Figure 4-47](#). The MSB retains its value (sign). RRAM operates equal to a signed division by 2, 4, 8, or 16. The MSB is retained and shifted into MSB-1. The LSB+1 is shifted into the LSB, and the LSB is shifted into the carry bit C. The word instruction RRAM.W clears the bits Rdst.19:16.

Note : This instruction does not use the extension word.

Status Bits N: Set if result is negative

.A: Rdst.19 = 1, reset if Rdst.19 = 0

.W: Rdst.15 = 1, reset if Rdst.15 = 0

Z: Set if result is zero, reset otherwise

C: Loaded from the LSB (n = 1), LSB+1 (n = 2), LSB+2 (n = 3), or LSB+3 (n = 4)

V: Reset

Mode Bits OSCOFF, CPUOFF, and GIE are not affected.

Example The signed 20-bit number in R5 is shifted arithmetically right two positions.

```
RRAM.A #2,R5 ; R5/4 -> R5
```

Example The signed 20-bit value in R15 is multiplied by 0.75. $(0.5 + 0.25) \times R15$.

```
PUSHM.A #1,R15 ; Save extended R15 on stack
RRAM.A #1,R15 ; R15 y 0.5 -> R15
ADDX.A @SP+,R15 ; R15 y 0.5 + R15 = 1.5 y R15 -> R15
RRAM.A #1,R15 ; (1.5 y R15) y 0.5 = 0.75 y R15 -> R15
```

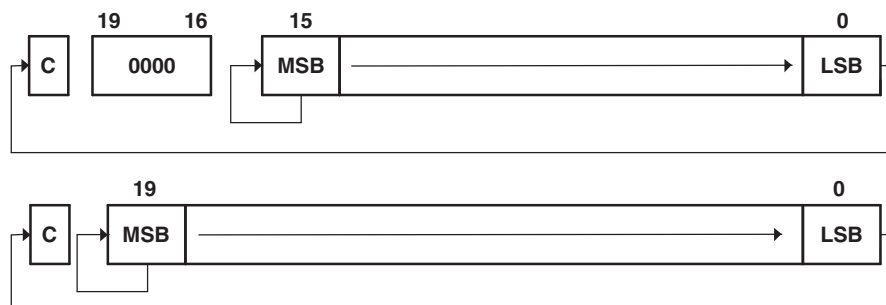


Figure 4-47. Rotate Right Arithmetically RRAM.[W] and RRAM.A

4.6.3.26 RRAX

RRAX.A	Rotate right arithmetically the 20-bit operand
RRAX.[W]	Rotate right arithmetically the 16-bit operand
RRAX.B	Rotate right arithmetically the 8-bit operand
Syntax	<pre>RRAX.A Rdst RRAX.W Rdst RRAX Rdst RRAX.B Rdst RRAX.A dst RRAX dst OR RRAX.W dst RRAX.B dst</pre>
Operation	MSB → MSB → MSB-1 ... LSB+1 → LSB → C
Description	<p>Register mode for the destination: the destination operand is shifted right by one bit position as shown in Figure 4-48. The MSB retains its value (sign). The word instruction RRAX.W clears the bits Rdst.19:16, the byte instruction RRAX.B clears the bits Rdst.19:8. The MSB retains its value (sign), the LSB is shifted into the carry bit. RRAX here operates equal to a signed division by 2.</p> <p>All other modes for the destination: the destination operand is shifted right arithmetically by one bit position as shown in Figure 4-49. The MSB retains its value (sign), the LSB is shifted into the carry bit. RRAX here operates equal to a signed division by 2. All addressing modes, with the exception of the Immediate mode, are possible in the full memory.</p>
Status Bits	<p>N: Set if result is negative, reset if positive .A: dst.19 = 1, reset if dst.19 = 0 .W: dst.15 = 1, reset if dst.15 = 0 .B: dst.7 = 1, reset if dst.7 = 0</p> <p>Z: Set if result is zero, reset otherwise</p> <p>C: Loaded from the LSB</p> <p>V: Reset</p>
Mode Bits	OSCOFF, CPUOFF, and GIE are not affected.
Example	The signed 20-bit number in R5 is shifted arithmetically right four positions.
	<pre>RPT #4 RRAX.A R5 ; R5/16 -> R5</pre>
Example	The signed 8-bit value in EDE is multiplied by 0.5.

RRAX.B &EDE ; EDE/2 -> EDE

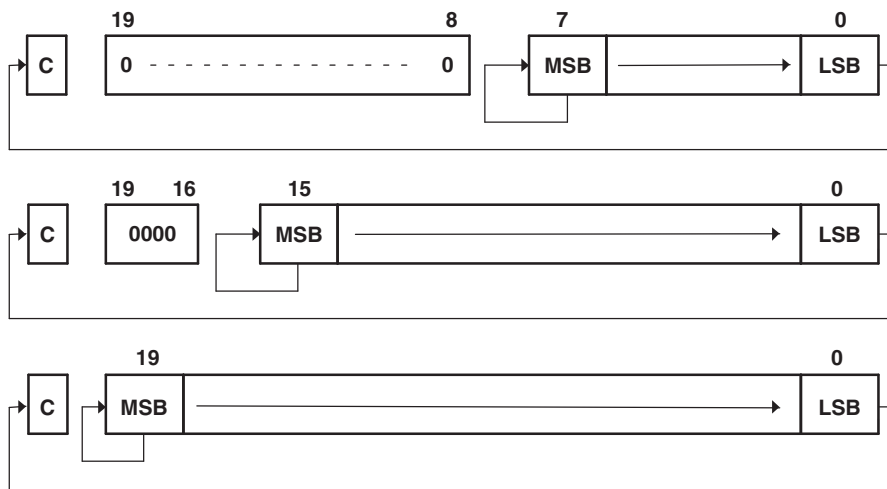


Figure 4-48. Rotate Right Arithmetically RRAX(.B,.A) – Register Mode

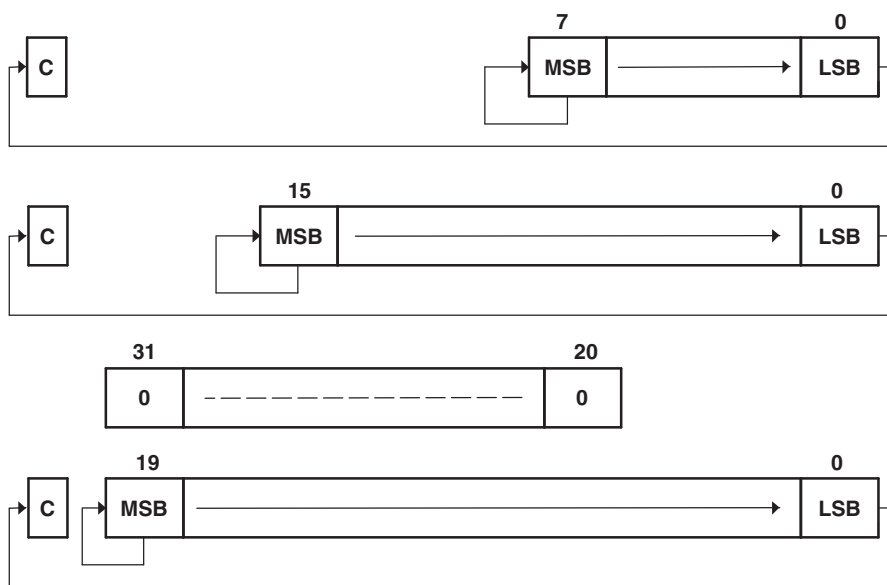


Figure 4-49. Rotate Right Arithmetically RRAX(.B,.A) – Non-Register Mode

4.6.3.27 RRCM

RRCM.A	Rotate right through carry the 20-bit CPU register content
RRCM.[W]	Rotate right through carry the 16-bit CPU register content
Syntax	RRCM.A #n,Rdst $1 \leq n \leq 4$ RRCM.W #n,Rdst OR RRCM #n,Rdst $1 \leq n \leq 4$
Operation	C → MSB → MSB-1 ... LSB+1 → LSB → C
Description	The destination operand is shifted right by one, two, three, or four bit positions as shown in Figure 4-50 . The carry bit C is shifted into the MSB, the LSB is shifted into the carry bit. The word instruction RRCM.W clears the bits Rdst.19:16. Note : This instruction does not use the extension word.
Status Bits	N: Set if result is negative .A: Rdst.19 = 1, reset if Rdst.19 = 0 .W: Rdst.15 = 1, reset if Rdst.15 = 0 Z: Set if result is zero, reset otherwise C: Loaded from the LSB (n = 1), LSB+1 (n = 2), LSB+2 (n = 3), or LSB+3 (n = 4) V: Reset
Mode Bits	OSCOFF, CPUOFF, and GIE are not affected.

Example The address-word in R5 is shifted right by three positions. The MSB-2 is loaded with 1.

```
SETC                ; Prepare carry for MSB-2
RRCM.A #3,R5       ; R5 = R5 » 3 + 20000h
```

Example The word in R6 is shifted right by two positions. The MSB is loaded with the LSB. The MSB-1 is loaded with the contents of the carry flag.

```
RRCM.W #2,R6      ; R6 = R6 » 2. R6.19:16 = 0
```

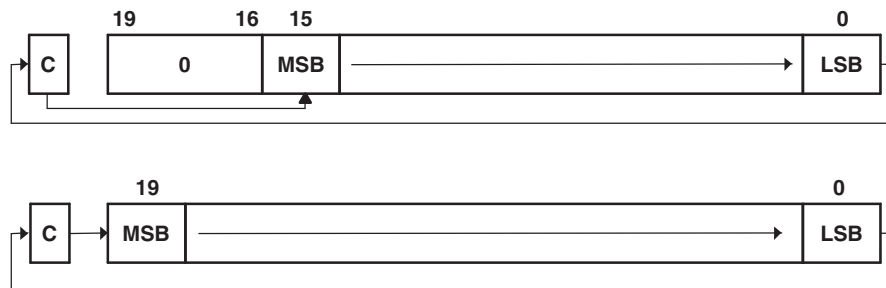


Figure 4-50. Rotate Right Through Carry RRCM[.W] and RRCM.A

4.6.3.28 RRCX

RRCX.A Rotate right through carry the 20-bit operand

RRCX.[W] Rotate right through carry the 16-bit operand

RRCX.B Rotate right through carry the 8-bit operand

Syntax RRCX.A Rdst

RRCX.W Rdst

RRCX Rdst

RRCX.B Rdst

RRCX.A dst

RRCX dst **or** RRCX.W dst

RRCX.B dst

Operation C → MSB → MSB−1 ... LSB+1 → LSB → C

Description Register mode for the destination: the destination operand is shifted right by one bit position as shown in [Figure 4-51](#). The word instruction RRCX.W clears the bits Rdst.19:16, the byte instruction RRCX.B clears the bits Rdst.19:8. The carry bit C is shifted into the MSB, the LSB is shifted into the carry bit.

All other modes for the destination: the destination operand is shifted right by one bit position as shown in [Figure 4-52](#). The carry bit C is shifted into the MSB, the LSB is shifted into the carry bit. All addressing modes, with the exception of the Immediate mode, are possible in the full memory.

Status Bits

N: Set if result is negative
 .A: dst.19 = 1, reset if dst.19 = 0
 .W: dst.15 = 1, reset if dst.15 = 0
 .B: dst.7 = 1, reset if dst.7 = 0

Z: Set if result is zero, reset otherwise

C: Loaded from the LSB

V: Reset

Mode Bits OSCOFF, CPUOFF, and GIE are not affected.

Example The 20-bit operand at address EDE is shifted right by one position. The MSB is loaded with 1.

```
SETC           ; Prepare carry for MSB
RRCX.A  EDE    ; EDE = EDE » 1 + 80000h
```

Example The word in R6 is shifted right by 12 positions.

```
RPT #12
RRCX.W R6 ; R6 = R6 » 12. R6.19:16 = 0
```

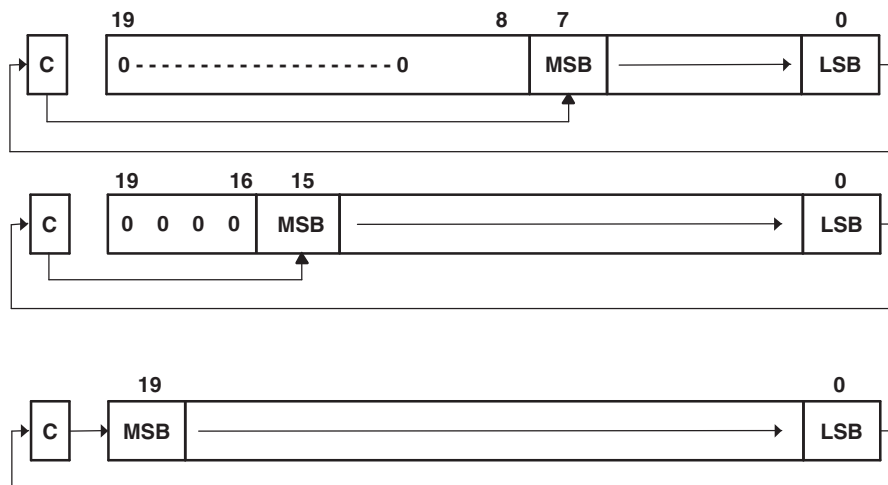


Figure 4-51. Rotate Right Through Carry RRCX(.B,.A) – Register Mode

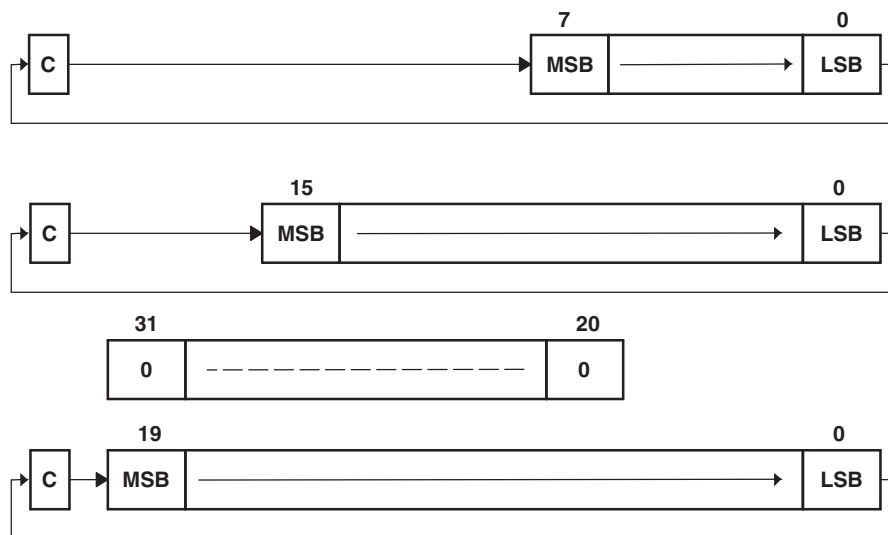


Figure 4-52. Rotate Right Through Carry RRCX(.B,.A) – Non-Register Mode

4.6.3.29 RRUM

RRUM.A Rotate right through carry the 20-bit CPU register content

RRUM.[W] Rotate right through carry the 16-bit CPU register content

Syntax
 RRUM.A #n,Rdst 1 ≤ n ≤ 4
 RRUM.W #n,Rdst OR RRUM #n,Rdst 1 ≤ n ≤ 4

Operation 0 → MSB → MSB-1 ... LSB+1 → LSB → C

Description The destination operand is shifted right by one, two, three, or four bit positions as shown in Figure 4-53. Zero is shifted into the MSB, the LSB is shifted into the carry bit. RRUM works like an unsigned division by 2, 4, 8, or 16. The word instruction RRUM.W clears the bits Rdst.19:16.

Note : This instruction does not use the extension word.

Status Bits
 N: Set if result is negative
 .A: Rdst.19 = 1, reset if Rdst.19 = 0
 .W: Rdst.15 = 1, reset if Rdst.15 = 0
 Z: Set if result is zero, reset otherwise
 C: Loaded from the LSB (n = 1), LSB+1 (n = 2), LSB+2 (n = 3), or LSB+3 (n = 4)
 V: Reset

Mode Bits OSCOFF, CPUOFF, and GIE are not affected.

Example The unsigned address-word in R5 is divided by 16.

```
RRUM.A #4,R5 ; R5 = R5 » 4. R5/16
```

Example The word in R6 is shifted right by one bit. The MSB R6.15 is loaded with 0.

```
RRUM.W #1,R6 ; R6 = R6/2. R6.19:15 = 0
```

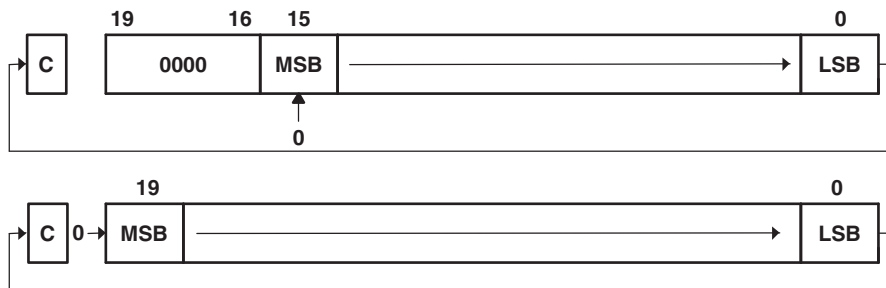


Figure 4-53. Rotate Right Unsigned RRUM.[W] and RRUM.A

4.6.3.30 RRUX

RRUX.A Shift right unsigned the 20-bit CPU register content

RRUX.[W] Shift right unsigned the 16-bit CPU register content

RRUX.B Shift right unsigned the 8-bit CPU register content

Syntax RRUX.A Rdst

RRUX.W Rdst

RRUX Rdst

RRUX.B Rdst

Operation C=0 → MSB → MSB-1 ... LSB+1 → LSB → C

Description RRUX is valid for register mode only: the destination operand is shifted right by one bit position as shown in [Figure 4-54](#). The word instruction RRUX.W clears the bits Rdst.19:16. The byte instruction RRUX.B clears the bits Rdst.19:8. Zero is shifted into the MSB, the LSB is shifted into the carry bit.

Status Bits

- N: Set if result is negative
 - .A: dst.19 = 1, reset if dst.19 = 0
 - .W: dst.15 = 1, reset if dst.15 = 0
 - .B: dst.7 = 1, reset if dst.7 = 0
- Z: Set if result is zero, reset otherwise
- C: Loaded from the LSB
- V: Reset

Mode Bits OSCOFF, CPUOFF, and GIE are not affected.

Example The word in R6 is shifted right by 12 positions.

```
RPT      #12
RRUX.W  R6      ; R6 = R6 >> 12. R6.19:16 = 0
```

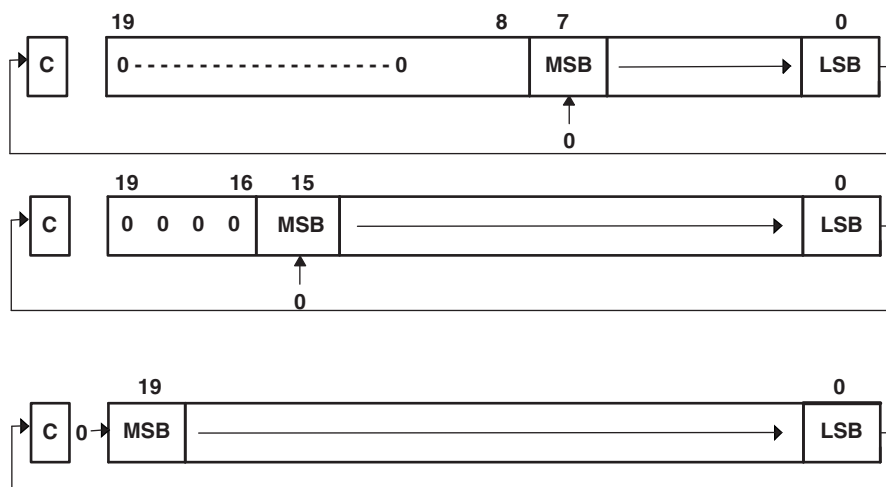


Figure 4-54. Rotate Right Unsigned RRUX(.B,.A) – Register Mode

4.6.3.31 SBCX

* SBCX.A	Subtract borrow (.NOT. carry) from destination address-word
* SBCX.[W]	Subtract borrow (.NOT. carry) from destination word
* SBCX.B	Subtract borrow (.NOT. carry) from destination byte
Syntax	SBCX.A dst SBCX dst OR SBCX.W dst SBCX.B dst
Operation	dst + 0FFFFFFh + C → dst dst + 0FFFFFFh + C → dst dst + 0FFh + C → dst
Emulation	SBCX.A #0, dst SBCX #0, dst SBCX.B #0, dst
Description	The carry bit (C) is added to the destination operand minus one. The previous contents of the destination are lost.
Status Bits	N: Set if result is negative, reset if positive Z: Set if result is zero, reset otherwise C: Set if there is a carry from the MSB of the result, reset otherwise Set to 1 if no borrow, reset if borrow V: Set if an arithmetic overflow occurs, reset otherwise
Mode Bits	OSCOFF, CPUOFF, and GIE are not affected.
Example	The 8-bit counter pointed to by R13 is subtracted from a 16-bit counter pointed to by R12.

```

SUBX.B    @R13,0(R12)    ; Subtract LSDs
SBCX.B    1(R12)        ; Subtract carry from MSD
    
```

NOTE: Borrow implementation

The borrow is treated as a .NOT. carry:

Borrow	Carry Bit
Yes	0
No	1

4.6.3.32 SUBX

SUBX.A	Subtract source address-word from destination address-word
SUBX.[W]	Subtract source word from destination word
SUBX.B	Subtract source byte from destination byte
Syntax	<p>SUBX.A <i>src,dst</i></p> <p>SUBX <i>src,dst</i> Or SUBX.W <i>src,dst</i></p> <p>SUBX.B <i>src,dst</i></p>
Operation	(.not. <i>src</i>) + 1 + <i>dst</i> → <i>dst</i> or <i>dst</i> – <i>src</i> → <i>dst</i>
Description	The source operand is subtracted from the destination operand. This is done by adding the 1s complement of the source + 1 to the destination. The source operand is not affected. The result is written to the destination operand. Both operands may be located in the full address space.
Status Bits	<p>N: Set if result is negative (<i>src</i> > <i>dst</i>), reset if positive (<i>src</i> ≤ <i>dst</i>)</p> <p>Z: Set if result is zero (<i>src</i> = <i>dst</i>), reset otherwise (<i>src</i> ≠ <i>dst</i>)</p> <p>C: Set if there is a carry from the MSB, reset otherwise</p> <p>V: Set if the subtraction of a negative source operand from a positive destination operand delivers a negative result, or if the subtraction of a positive source operand from a negative destination operand delivers a positive result, reset otherwise (no overflow)</p>
Mode Bits	OSCOFF, CPUOFF, and GIE are not affected.
Example	A 20-bit constant 87654h is subtracted from EDE (LSBs) and EDE+2 (MSBs).

```
SUBX.A    #87654h,EDE        ; Subtract 87654h from EDE+2|EDE
```

Example A table word pointed to by R5 (20-bit address) is subtracted from R7. Jump to label TONI if R7 contains zero after the instruction. R5 is auto-incremented by two. R7.19:16 = 0.

```
SUBX.W    @R5+,R7           ; Subtract table number from R7. R5 + 2
JZ        TONI              ; R7 = @R5 (before subtraction)
...       ; R7 <> @R5 (before subtraction)
```

Example Byte CNT is subtracted from the byte R12 points to in the full address space. Address of CNT is within PC ± 512 K.

```
SUBX.B    CNT,0(R12)        ; Subtract CNT from @R12
```

Note: Use SUBA for the following two cases for better density and execution.

```
SUBX.A    Rsrc,Rdst
SUBX.A    #imm20,Rdst
```

4.6.3.33 SUBCX

SUBCX.A	Subtract source address-word with carry from destination address-word
SUBCX.[W]	Subtract source word with carry from destination word
SUBCX.B	Subtract source byte with carry from destination byte
Syntax	SUBCX.A src,dst SUBCX src,dst Or SUBCX.W src,dst SUBCX.B src,dst
Operation	$(\text{not. src}) + C + \text{dst} \rightarrow \text{dst}$ or $\text{dst} - (\text{src} - 1) + C \rightarrow \text{dst}$
Description	The source operand is subtracted from the destination operand. This is made by adding the 1s complement of the source + carry to the destination. The source operand is not affected, the result is written to the destination operand. Both operands may be located in the full address space.
Status Bits	N: Set if result is negative (MSB = 1), reset if positive (MSB = 0) Z: Set if result is zero, reset otherwise C: Set if there is a carry from the MSB, reset otherwise V: Set if the subtraction of a negative source operand from a positive destination operand delivers a negative result, or if the subtraction of a positive source operand from a negative destination operand delivers a positive result, reset otherwise (no overflow).
Mode Bits	OSCOFF, CPUOFF, and GIE are not affected.
Example	A 20-bit constant 87654h is subtracted from R5 with the carry from the previous instruction.

```
SUBCX.A #87654h,R5 ; Subtract 87654h + C from R5
```

Example A 48-bit number (3 words) pointed to by R5 (20-bit address) is subtracted from a 48-bit counter in RAM, pointed to by R7. R5 auto-increments to point to the next 48-bit number.

```
SUBX.W @R5+,0(R7) ; Subtract LSBs. R5 + 2
SUBCX.W @R5+,2(R7) ; Subtract MIDs with C. R5 + 2
SUBCX.W @R5+,4(R7) ; Subtract MSBs with C. R5 + 2
```

Example Byte CNT is subtracted from the byte R12 points to. The carry of the previous instruction is used. 20-bit addresses.

```
SUBCX.B &CNT,0(R12) ; Subtract byte CNT from @R12
```

4.6.3.34 SWPBX

SWPBX.A Swap bytes of lower word**SWPBX.[W]** Swap bytes of word

Syntax SWPBX.A dst
 SWPBX dst OR SWPBX.W dst

Operation dst.15:8 ↔ dst.7:0

Description Register mode: Rn.15:8 are swapped with Rn.7:0. When the .A extension is used, Rn.19:16 are unchanged. When the .W extension is used, Rn.19:16 are cleared.
 Other modes: When the .A extension is used, bits 31:20 of the destination address are cleared, bits 19:16 are left unchanged, and bits 15:8 are swapped with bits 7:0. When the .W extension is used, bits 15:8 are swapped with bits 7:0 of the addressed word.

Status Bits Status bits are not affected.**Mode Bits** OSCOFF, CPUOFF, and GIE are not affected.**Example** Exchange the bytes of RAM address-word EDE

```
MOVX.A    #23456h, &EDE    ; 23456h -> EDE
SWPBX.A   EDE              ; 25634h -> EDE
```

Example Exchange the bytes of R5

```
MOVA     #23456h, R5      ; 23456h -> R5
SWPBX.W  R5              ; 05634h -> R5
```

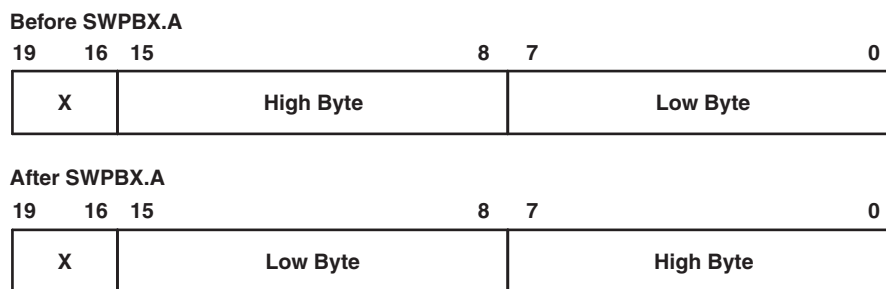


Figure 4-55. Swap Bytes SWPBX.A Register Mode

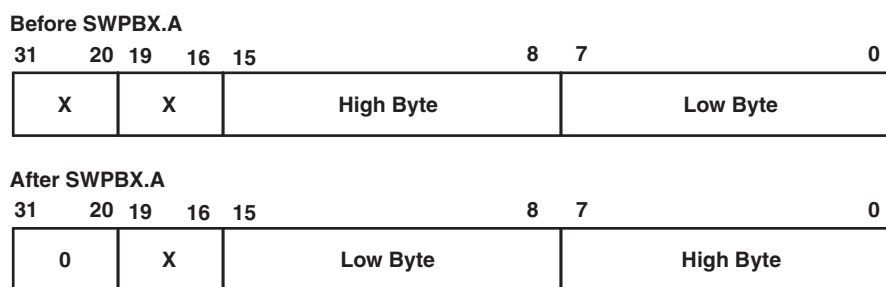


Figure 4-56. Swap Bytes SWPBX.A In Memory

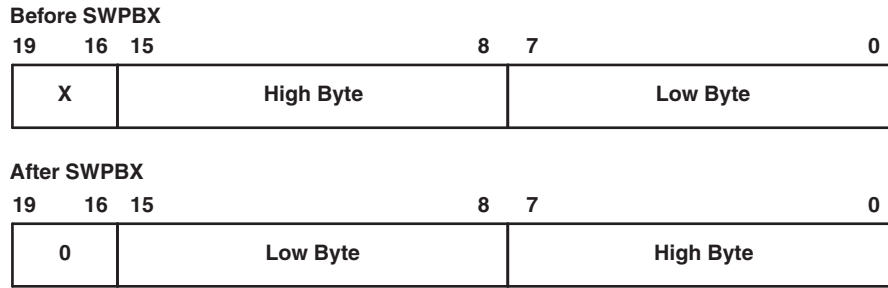


Figure 4-57. Swap Bytes SWPBX[.W] Register Mode

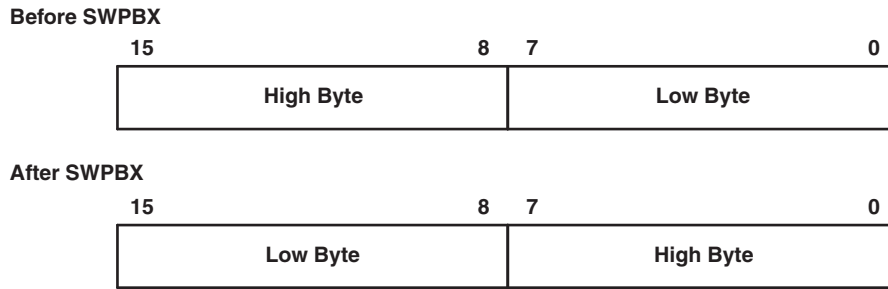


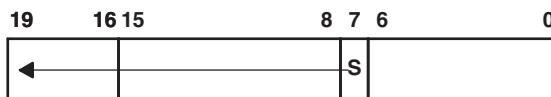
Figure 4-58. Swap Bytes SWPBX[.W] In Memory

4.6.3.35 SXTX

SXTX.A	Extend sign of lower byte to address-word
SXTX.[W]	Extend sign of lower byte to word
Syntax	SXTX.A dst SXTX dst Or SXTX.W dst
Operation	dst.7 → dst.15:8, Rdst.7 → Rdst.19:8 (Register mode)
Description	Register mode: The sign of the low byte of the operand (Rdst.7) is extended into the bits Rdst.19:8. Other modes: SXTX.A: the sign of the low byte of the operand (dst.7) is extended into dst.19:8. The bits dst.31:20 are cleared. SXTX.[W]: the sign of the low byte of the operand (dst.7) is extended into dst.15:8.
Status Bits	N: Set if result is negative, reset otherwise Z: Set if result is zero, reset otherwise C: Set if result is not zero, reset otherwise (C = .not.Z) V: Reset
Mode Bits	OSCOFF, CPUOFF, and GIE are not affected.
Example	The signed 8-bit data in EDE.7:0 is sign extended to 20 bits: EDE.19:8. Bits 31:20 located in EDE+2 are cleared.

```
SXTX.A    &EDE    ; Sign extended EDE -> EDE+2/EDE
```

SXTX.A Rdst



SXTX.A dst

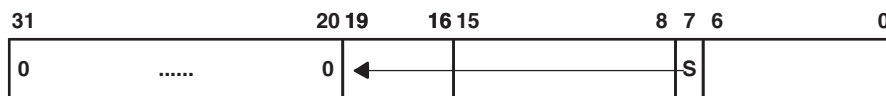
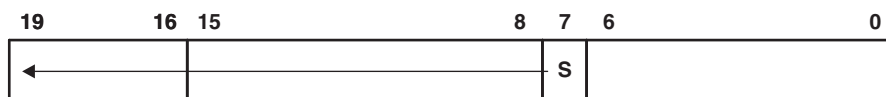


Figure 4-59. Sign Extend SXTX.A

SXTX.[W] Rdst



SXTX.[W] dst

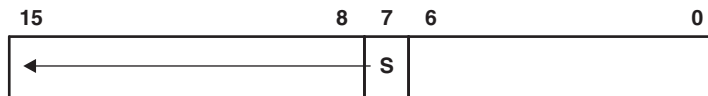


Figure 4-60. Sign Extend SXTX.[W]

4.6.3.36 TSTX

* **TSTX.A** Test destination address-word

* **TSTX.[W]** Test destination word

* **TSTX.B** Test destination byte

Syntax TSTX.A dst

TSTX dst **OR** TSTX.W dst

TSTX.B dst

Operation dst + 0FFFFFFh + 1

dst + 0FFFFFFh + 1

dst + 0FFh + 1

Emulation CMPX.A #0, dst

CMPX #0, dst

CMPX.B #0, dst

Description The destination operand is compared with zero. The status bits are set according to the result. The destination is not affected.

Status Bits N: Set if destination is negative, reset if positive

Z: Set if destination contains zero, reset otherwise

C: Set

V: Reset

Mode Bits OSCOFF, CPUOFF, and GIE are not affected.

Example RAM byte LEO is tested; PC is pointing to upper memory. If it is negative, continue at LEONEG; if it is positive but not zero, continue at LEOPOS.

```

TSTX.B LEO ; Test LEO
JN LEONEG ; LEO is negative
JZ LEOZERO ; LEO is zero
LEOPOS ..... ; LEO is positive but not zero
LEONEG ..... ; LEO is negative
LEOZERO ..... ; LEO is zero
    
```

4.6.3.37 XORX**XORX.A** Exclusive OR source address-word with destination address-word**XORX.[W]** Exclusive OR source word with destination word**XORX.B** Exclusive OR source byte with destination byte**Syntax** XORX.A src,dst

XORX src,dst OR XORX.W src,dst

XORX.B src,dst

Operation src .xor. dst → dst**Description** The source and destination operands are exclusively ORed. The result is placed into the destination. The source operand is not affected. The previous contents of the destination are lost. Both operands may be located in the full address space.**Status Bits** N: Set if result is negative (MSB = 1), reset if positive (MSB = 0)

Z: Set if result is zero, reset otherwise

C: Set if result is not zero, reset otherwise (carry = .not. Zero)

V: Set if both operands are negative (before execution), reset otherwise

Mode Bits OSCOFF, CPUOFF, and GIE are not affected.**Example** Toggle bits in address-word CNTR (20-bit data) with information in address-word TONI (20-bit address)

```
XORX.A  TONI,&CNTR      ; Toggle bits in CNTR
```

Example A table word pointed to by R5 (20-bit address) is used to toggle bits in R6.

```
XORX.W  @R5,R6         ; Toggle bits in R6. R6.19:16 = 0
```

Example Reset to zero those bits in the low byte of R7 that are different from the bits in byte EDE (20-bit address)

```
XORX.B  EDE,R7         ; Set different bits to 1 in R7
INV.B   R7              ; Invert low byte of R7. R7.19:8 = 0.
```


4.6.4 Address Instructions

MSP430X address instructions are instructions that support 20-bit operands but have restricted addressing modes. The addressing modes are restricted to the Register mode and the Immediate mode, except for the MOVA instruction. Restricting the addressing modes removes the need for the additional extension-word op-code improving code density and execution time. The MSP430X address instructions are listed and described in the following pages.

4.6.4.1 ADDA

ADDA	Add 20-bit source to a 20-bit destination register		
Syntax	ADDA Rsrc,Rdst ADDA #imm20,Rdst		
Operation	src + Rdst → Rdst		
Description	The 20-bit source operand is added to the 20-bit destination CPU register. The previous contents of the destination are lost. The source operand is not affected.		
Status Bits	N:	Set if result is negative (Rdst.19 = 1), reset if positive (Rdst.19 = 0)	
	Z:	Set if result is zero, reset otherwise	
	C:	Set if there is a carry from the 20-bit result, reset otherwise	
	V:	Set if the result of two positive operands is negative, or if the result of two negative numbers is positive, reset otherwise	
Mode Bits	OSCOFF, CPUOFF, and GIE are not affected.		
Example	R5 is increased by 0A4320h. The jump to TONI is performed if a carry occurs.		
	ADDA	#0A4320h,R5	; Add A4320h to 20-bit R5
	JC	TONI	; Jump on carry
	...		; No carry occurred

4.6.4.2 BRA

*** BRA** Branch to destination

Syntax BRA dst

Operation dst → PC

Emulation MOVA dst,PC

Description An unconditional branch is taken to a 20-bit address anywhere in the full address space. All seven source addressing modes can be used. The branch instruction is an address-word instruction. If the destination address is contained in a memory location X, it is contained in two ascending words: X (LSBs) and (X + 2) (MSBs).

Status Bits
 N: Not affected
 Z: Not affected
 C: Not affected
 V: Not affected

Mode Bits OSCOFF, CPUOFF, and GIE are not affected.

Examples Examples for all addressing modes are given.
 Immediate mode: Branch to label EDE located anywhere in the 20-bit address space or branch directly to address.

```
BRA    #EDE          ; MOVA    #imm20,PC
BRA    #01AA04h
```

Symbolic mode: Branch to the 20-bit address contained in addresses EXEC (LSBs) and EXEC+2 (MSBs). EXEC is located at the address (PC + X) where X is within +32 K. Indirect addressing.

```
BRA    EXEC          ; MOVA    z16(PC),PC
```

Note: If the 16-bit index is not sufficient, a 20-bit index may be used with the following instruction.

```
MOVX.A EXEC,PC      ; 1M byte range with 20-bit index
```

Absolute mode: Branch to the 20-bit address contained in absolute addresses EXEC (LSBs) and EXEC+2 (MSBs). Indirect addressing.

```
BRA    &EXEC          ; MOVA    &abs20,PC
```

Register mode: Branch to the 20-bit address contained in register R5. Indirect R5.

```
BRA    R5             ; MOVA    R5,PC
```

Indirect mode: Branch to the 20-bit address contained in the word pointed to by register R5 (LSBs). The MSBs have the address (R5 + 2). Indirect, indirect R5.

```
BRA    @R5            ; MOVA    @R5,PC
```

Indirect, Auto-Increment mode: Branch to the 20-bit address contained in the words pointed to by register R5 and increment the address in R5 afterwards by 4. The next time the software flow uses R5 as a pointer, it can alter the program execution due to access to the next address in the table pointed to by R5. Indirect, indirect R5.

```
BRA    @R5+          ; MOVA    @R5+,PC. R5 + 4
```

Indexed mode: Branch to the 20-bit address contained in the address pointed to by register (R5 + X) (for example, a table with addresses starting at X). (R5 + X) points to the LSBs, (R5 + X + 2) points to the MSBs of the address. X is within R5 + 32 K. Indirect, indirect (R5 + X).

```
BRA    X(R5)         ; MOVA    z16(R5),PC
```

Note: If the 16-bit index is not sufficient, a 20-bit index X may be used with the following instruction:

```
MOVX.A X(R5),PC     ; 1M byte range with 20-bit index
```

4.6.4.3 CALLA

CALLA Call a subroutine

Syntax `CALLA dst`

Operation `dst` → tmp 20-bit `dst` is evaluated and stored

`SP - 2` → `SP`

`PC.19:16` → @`SP` updated PC with return address to TOS (MSBs)

`SP - 2` → `SP`

`PC.15:0` → @`SP` updated PC to TOS (LSBs)

tmp → PC saved 20-bit `dst` to PC

Description A subroutine call is made to a 20-bit address anywhere in the full address space. All seven source addressing modes can be used. The call instruction is an address-word instruction. If the destination address is contained in a memory location X, it is contained in two ascending words, X (LSBs) and (X + 2) (MSBs). Two words on the stack are needed for the return address. The return is made with the instruction RETA.

Status Bits N: Not affected

Z: Not affected

C: Not affected

V: Not affected

Mode Bits OSCOFF, CPUOFF, and GIE are not affected.

Examples Examples for all addressing modes are given.

Immediate mode: Call a subroutine at label EXEC or call directly an address.

```
CALLA #EXEC          ; Start address EXEC
CALLA #01AA04h      ; Start address 01AA04h
```

Symbolic mode: Call a subroutine at the 20-bit address contained in addresses EXEC (LSBs) and EXEC+2 (MSBs). EXEC is located at the address (PC + X) where X is within +32 K. Indirect addressing.

```
CALLA EXEC          ; Start address at @EXEC. z16(PC)
```

Absolute mode: Call a subroutine at the 20-bit address contained in absolute addresses EXEC (LSBs) and EXEC+2 (MSBs). Indirect addressing.

```
CALLA &EXEC         ; Start address at @EXEC
```

Register mode: Call a subroutine at the 20-bit address contained in register R5. Indirect R5.

```
CALLA R5           ; Start address at @R5
```

Indirect mode: Call a subroutine at the 20-bit address contained in the word pointed to by register R5 (LSBs). The MSBs have the address (R5 + 2). Indirect, indirect R5.

```
CALLA @R5          ; Start address at @R5
```

Indirect, Auto-Increment mode: Call a subroutine at the 20-bit address contained in the words pointed to by register R5 and increment the 20-bit address in R5 afterwards by 4. The next time the software flow uses R5 as a pointer, it can alter the program execution due to access to the next word address in the table pointed to by R5. Indirect, indirect R5.

```
CALLA  @R5+          ; Start address at @R5. R5 + 4
```

Indexed mode: Call a subroutine at the 20-bit address contained in the address pointed to by register (R5 + X); for example, a table with addresses starting at X. (R5 + X) points to the LSBs, (R5 + X + 2) points to the MSBs of the word address. X is within R5 + 32 K. Indirect, indirect (R5 + X).

```
CALLA  X(R5)         ; Start address at @(R5+X). z16(R5)
```

4.6.4.4 CLRA

* CLRA	Clear 20-bit destination register
Syntax	CLRA Rdst
Operation	0 → Rdst
Emulation	MOVA #0,Rdst
Description	The destination register is cleared.
Status Bits	Status bits are not affected.
Example	The 20-bit value in R10 is cleared.

```
CLRA R10 ; 0 -> R10
```

4.6.4.5 CMPA

CMPA	Compare the 20-bit source with a 20-bit destination register
Syntax	<pre>CMPA Rsrc,Rdst CMPA #imm20,Rdst</pre>
Operation	$(.not. src) + 1 + Rdst$ or $Rdst - src$
Description	The 20-bit source operand is subtracted from the 20-bit destination CPU register. This is made by adding the 1s complement of the source + 1 to the destination register. The result affects only the status bits.
Status Bits	<p>N: Set if result is negative ($src > dst$), reset if positive ($src \leq dst$)</p> <p>Z: Set if result is zero ($src = dst$), reset otherwise ($src \neq dst$)</p> <p>C: Set if there is a carry from the MSB, reset otherwise</p> <p>V: Set if the subtraction of a negative source operand from a positive destination operand delivers a negative result, or if the subtraction of a positive source operand from a negative destination operand delivers a positive result, reset otherwise (no overflow)</p>
Mode Bits	OSCOFF, CPUOFF, and GIE are not affected.
Example	A 20-bit immediate operand and R6 are compared. If they are equal, the program continues at label EQUAL.

```
CMPA #12345h,R6      ; Compare R6 with 12345h
JEQ  EQUAL          ; R6 = 12345h
...                ; Not equal
```

Example The 20-bit values in R5 and R6 are compared. If R5 is greater than (signed) or equal to R6, the program continues at label GRE.

```
CMPA R6,R5          ; Compare R6 with R5 (R5 - R6)
JGE  GRE            ; R5 >= R6
...                ; R5 < R6
```


4.6.4.6 DECDA

* DECDA	Double-decrement 20-bit destination register
Syntax	DECDA Rdst
Operation	Rdst – 2 → Rdst
Emulation	SUBA #2, Rdst
Description	The destination register is decremented by two. The original contents are lost.
Status Bits	N: Set if result is negative, reset if positive Z: Set if Rdst contained 2, reset otherwise C: Reset if Rdst contained 0 or 1, set otherwise V: Set if an arithmetic overflow occurs, otherwise reset
Mode Bits	OSCOFF, CPUOFF, and GIE are not affected.
Example	The 20-bit value in R5 is decremented by 2.

```
DECDA R5 ; Decrement R5 by two
```

4.6.4.7 INCD A

* INCD A	Double-increment 20-bit destination register
Syntax	INCD A Rdst
Operation	Rdst + 2 → Rdst
Emulation	ADDA #2, Rdst
Description	The destination register is incremented by two. The original contents are lost.
Status Bits	<p>N: Set if result is negative, reset if positive</p> <p>Z: Set if Rdst contained 0FFFFEh, reset otherwise Set if Rdst contained 0FFFEh, reset otherwise Set if Rdst contained 0FEh, reset otherwise</p> <p>C: Set if Rdst contained 0FFFFEh or 0FFFFFh, reset otherwise Set if Rdst contained 0FFFEh or 0FFFFh, reset otherwise Set if Rdst contained 0FEh or 0FFh, reset otherwise</p> <p>V: Set if Rdst contained 07FFFEh or 07FFFFh, reset otherwise Set if Rdst contained 07FFEh or 07FFFh, reset otherwise Set if Rdst contained 07Eh or 07Fh, reset otherwise</p>
Mode Bits	OSCOFF, CPUOFF, and GIE are not affected.
Example	The 20-bit value in R5 is incremented by two.

```
INCD A    R5        ; Increment R5 by two
```

4.6.4.8 MOVA

MOVA	Move the 20-bit source to the 20-bit destination
Syntax	MOVA Rsrc,Rdst MOVA #imm20,Rdst MOVA z16(Rsrc),Rdst MOVA EDE,Rdst MOVA &abs20,Rdst MOVA @Rsrc,Rdst MOVA @Rsrc+,Rdst MOVA Rsrc,z16(Rdst) MOVA Rsrc,&abs20
Operation	src → Rdst Rsrc → dst
Description	The 20-bit source operand is moved to the 20-bit destination. The source operand is not affected. The previous content of the destination is lost.
Status Bits	N: Not affected Z: Not affected C: Not affected V: Not affected
Mode Bits	OSCOFF, CPUOFF, and GIE are not affected.
Examples	Copy 20-bit value in R9 to R8
	MOVA R9,R8 ; R9 -> R8 Write 20-bit immediate value 12345h to R12 MOVA #12345h,R12 ; 12345h -> R12 Copy 20-bit value addressed by (R9 + 100h) to R8. Source operand in addresses (R9 + 100h) LSBs and (R9 + 102h) MSBs. MOVA 100h(R9),R8 ; Index: + 32 K. 2 words transferred Move 20-bit value in 20-bit absolute addresses EDE (LSBs) and EDE+2 (MSBs) to R12 MOVA &EDE,R12 ; &EDE -> R12. 2 words transferred Move 20-bit value in 20-bit addresses EDE (LSBs) and EDE+2 (MSBs) to R12. PC index ± 32 K. MOVA EDE,R12 ; EDE -> R12. 2 words transferred Copy 20-bit value R9 points to (20 bit address) to R8. Source operand in addresses @R9 LSBs and @(R9 + 2) MSBs. MOVA @R9,R8 ; @R9 -> R8. 2 words transferred

Copy 20-bit value R9 points to (20 bit address) to R8. R9 is incremented by four afterwards. Source operand in addresses @R9 LSBs and @(R9 + 2) MSBs.

MOVA @R9+,R8 ; @R9 -> R8. R9 + 4. 2 words transferred.

Copy 20-bit value in R8 to destination addressed by (R9 + 100h). Destination operand in addresses @(R9 + 100h) LSBs and @(R9 + 102h) MSBs.

MOVA R8,100h(R9) ; Index: +- 32 K. 2 words transferred

Move 20-bit value in R13 to 20-bit absolute addresses EDE (LSBs) and EDE+2 (MSBs)

MOVA R13,&EDE ; R13 -> EDE. 2 words transferred

Move 20-bit value in R13 to 20-bit addresses EDE (LSBs) and EDE+2 (MSBs). PC index \pm 32 K.

MOVA R13,EDE ; R13 -> EDE. 2 words transferred

4.6.4.9 RETA

*** RETA** Return from subroutine

Syntax RETA

Operation @SP → PC.15:0 LSBs (15:0) of saved PC to PC.15:0

SP + 2 → SP

@SP → PC.19:16 MSBs (19:16) of saved PC to PC.19:16

SP + 2 → SP

Emulation MOVA @SP+,PC

Description The 20-bit return address information, pushed onto the stack by a CALLA instruction, is restored to the PC. The program continues at the address following the subroutine call. The SR bits SR.11:0 are not affected. This allows the transfer of information with these bits.

Status Bits N: Not affected

Z: Not affected

C: Not affected

V: Not affected

Mode Bits OSCOFF, CPUOFF, and GIE are not affected.

Example Call a subroutine SUBR from anywhere in the 20-bit address space and return to the address after the CALLA

```

CALLA    #SUBR        ; Call subroutine starting at SUBR
...
SUBR     PUSHM.A     #2,R14    ; Save R14 and R13 (20 bit data)
...
        POPM.A      #2,R14    ; Restore R13 and R14 (20 bit data)
        RETA        ; Return (to full address space)
    
```

4.6.4.10 SUBA

SUBA	Subtract 20-bit source from 20-bit destination register
Syntax	SUBA Rsrc,Rdst SUBA #imm20,Rdst
Operation	$(\text{.not.src}) + 1 + \text{Rdst} \rightarrow \text{Rdst}$ or $\text{Rdst} - \text{src} \rightarrow \text{Rdst}$
Description	The 20-bit source operand is subtracted from the 20-bit destination register. This is made by adding the 1s complement of the source + 1 to the destination. The result is written to the destination register, the source is not affected.
Status Bits	N: Set if result is negative ($\text{src} > \text{dst}$), reset if positive ($\text{src} \leq \text{dst}$) Z: Set if result is zero ($\text{src} = \text{dst}$), reset otherwise ($\text{src} \neq \text{dst}$) C: Set if there is a carry from the MSB (Rdst.19), reset otherwise V: Set if the subtraction of a negative source operand from a positive destination operand delivers a negative result, or if the subtraction of a positive source operand from a negative destination operand delivers a positive result, reset otherwise (no overflow)
Mode Bits	OSCOFF, CPUOFF, and GIE are not affected.
Example	The 20-bit value in R5 is subtracted from R6. If a carry occurs, the program continues at label TONI.
	<pre> SUBA R5,R6 ; R6 - R5 -> R6 JC TONI ; Carry occurred ... ; No carry </pre>

4.6.4.11 TSTA

* TSTA	Test 20-bit destination register
Syntax	TSTA Rdst
Operation	dst + 0FFFFFFh + 1 dst + 0FFFFFFh + 1 dst + 0FFh + 1
Emulation	CMPA #0, Rdst
Description	The destination register is compared with zero. The status bits are set according to the result. The destination register is not affected.
Status Bits	N: Set if destination register is negative, reset if positive Z: Set if destination register contains zero, reset otherwise C: Set V: Reset
Mode Bits	OSCOFF, CPUOFF, and GIE are not affected.
Example	The 20-bit value in R7 is tested. If it is negative, continue at R7NEG; if it is positive but not zero, continue at R7POS.

```

TSTA   R7           ; Test R7
JN     R7NEG        ; R7 is negative
JZ     R7ZERO       ; R7 is zero
R7POS  .....       ; R7 is positive but not zero
R7NEG  .....       ; R7 is negative
R7ZERO .....       ; R7 is zero
    
```

Flash Memory Controller

This chapter describes the operation of the flash memory controller.

Topic	Page
5.1 Flash Memory Introduction	289
5.2 Flash Memory Segmentation	290
5.3 Flash Memory Operation	292
5.4 FCTL Registers	307

5.1 Flash Memory Introduction

The flash memory is byte, word, and long-word addressable and programmable. The flash memory module has an integrated controller that controls programming and erase operations. The module contains three registers, a timing generator, and a voltage generator to supply program and erase voltages. The cumulative high-voltage time must not be exceeded, and each 32-bit word can be written not more than four times (in byte, word, or long word write modes) before another erase cycle (see device-specific data sheet for details).

The flash memory features include:

- Internal programming voltage generation
- Byte, word (2 bytes), and long (4 bytes) programmable
- Ultralow power operation
- Segment erase, bank erase (device specific), and mass erase
- Marginal 0 and marginal 1 read modes
- Each bank (device specific) can be erased individually while program execution can proceed in a different flash bank.

NOTE: Bank operations are not supported on all devices. See the device-specific data sheet for banks supported and their respective sizes.

The block diagram of the flash memory and controller is shown in [Figure 5-1](#).

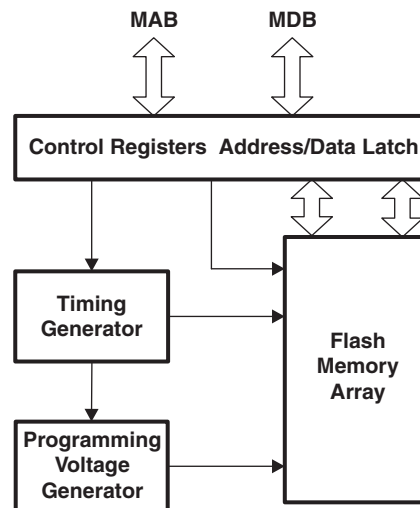


Figure 5-1. Flash Memory Module Block Diagram

5.2 Flash Memory Segmentation

The flash main memory is partitioned into 512-byte segments. Single bits, bytes, or words can be written to flash memory, but a segment is the smallest size of the flash memory that can be erased.

The flash memory is partitioned into main and information memory sections. There is no difference in the operation of the main and information memory sections. Code and data can be located in either section. The difference between the sections is the segment size.

There are four information memory segments, A through D. Each information memory segment contains 128 bytes and can be erased individually.

The bootstrap loader (BSL) memory consists of four segments, A through D. Each BSL memory segment contains 512 bytes and can be erased individually.

The main memory segment size is 512 byte. See the device-specific data sheet for the start and end addresses of each bank, when available, and for the complete memory map of a device.

Figure 5-2 shows the flash segmentation using an example of 256-KB flash that has four banks of 64 KB (segments A through D) and information memory.

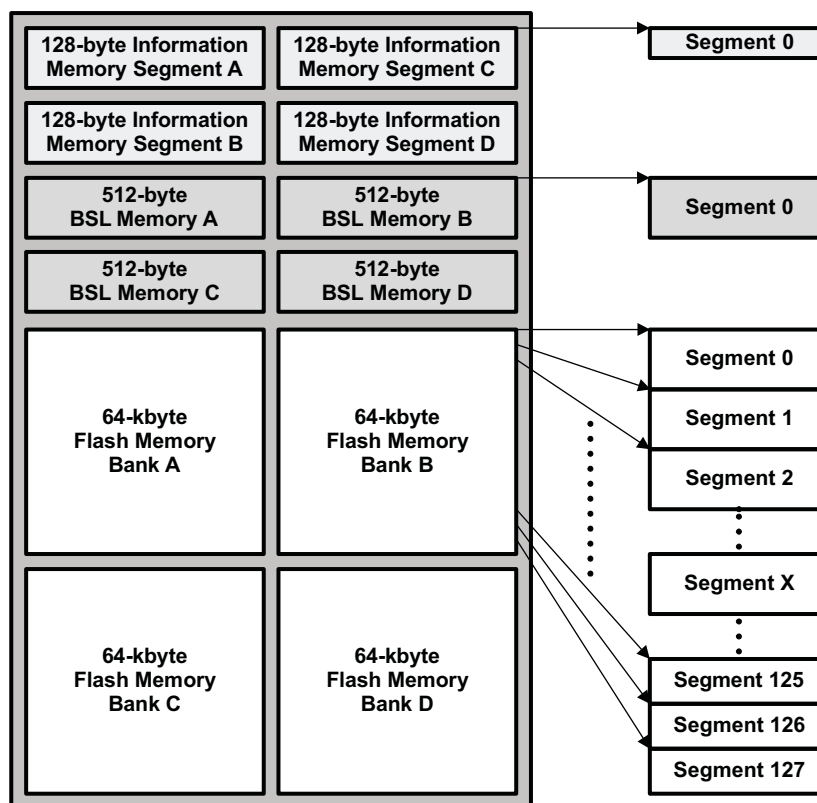


Figure 5-2. 256-KB Flash Memory Segments Example

5.2.1 Segment A

Segment A of the information memory is locked separately from all other segments with the LOCKA bit. If LOCKA = 1, segment A cannot be written or erased, and all information memory is protected from being segment erased. If LOCKA = 0, segment A can be erased and written like any other flash memory segment.

The state of the LOCKA bit is toggled when a 1 is written to it. Writing a 0 to LOCKA has no effect. This allows existing flash programming routines to be used unchanged.

```

; Unlock Info Memory
  MOV     #FWPW,&FCTL4           ; Clear LOCKINFO, if set
; Unlock SegmentA
  BIT     #LOCKA,&FCTL3         ; Test LOCKA
  JZ      SEGA_UNLOCKED        ; Already unlocked?
  MOV     #FWPW+LOCKA,&FCTL3    ; No, unlock SegmentA
SEGA_UNLOCKED
; SegmentA is unlocked

; Lock SegmentA
  BIT     #LOCKA,&FCTL3         ; Test LOCKA
  JNZ     SEGA_LOCKED          ; Already locked?
  MOV     #FWPW+LOCKA,&FCTL3    ; No, lock SegmentA
SEGA_LOCKED
; SegmentA is locked
; Lock Info Memory
  MOV     #FWPW+LOCKINFO,&FCTL4 ; Set LOCKINFO

```

5.3 Flash Memory Operation

The default mode of the flash memory is read mode. In read mode, the flash memory is not being erased or written, the flash timing generator and voltage generator are off, and the memory operates identically to ROM.

Read and fetch while erase – The flash memory allows execution of a program from flash while a different flash bank is erased. Data reads are also possible from any flash bank not being erased.

NOTE: Read and fetch while erase

The read and fetch while erase feature is available in flash memory configurations where more than one flash bank is available. If there is one flash bank available, holding the complete flash program memory, the read from the program memory and information memory and BSL memory during the erase is not provided. [Table 5-1](#) summarizes which flash operations are supported for devices that support read and fetch while erasing.

Table 5-1. Supported Simultaneous Code Execution and Flash Operations

Flash Operation	Simultaneous Code Execution	
	Within Flash	Within RAM
Bank Erase	Supported Executed code must not reside in the bank to be erased	Supported
Segment Erase	Not Supported	Supported
Byte, word, long-word write	Not supported	Supported

Flash memory is in-system programmable (ISP) without the need for additional external voltage. The CPU can program the flash memory. The flash memory write and erase modes are selected by the BLKWRT, WRT, MERAS, and ERASE bits and are:

- Byte, word, or long-word (32-bit) write
- Block write
- Segment erase
- Bank erase (only main memory)
- Mass erase (all main memory banks)
- Read during bank erase (except for the one currently read from)

Reading or writing to flash memory while it is busy programming or erasing (page, mass, or bank) from the same bank is prohibited. Any flash erase or programming can be initiated from within flash memory or RAM.

5.3.1 Erasing Flash Memory

The logical value of an erased flash memory bit is 1. Each bit can be programmed from 1 to 0 individually, but to reprogram from 0 to 1 requires an erase cycle. The smallest amount of flash that can be erased is one segment. There are three erase modes selected by the ERASE and MERAS bits listed in [Table 5-2](#).

Table 5-2. Erase Modes

MERAS	ERASE	Erase Mode
0	1	Segment erase
1	0	Bank erase (of one bank) selected by the dummy write address ⁽¹⁾
1	1	Mass erase (all memory banks are erased. Information memory A to D and BSL segments A to D are not erased)

⁽¹⁾ Bank operations are not supported on all devices. See the device-specific data sheet for support of bank operations.

5.3.1.1 Erase Cycle

An erase cycle is initiated by a dummy write to the address range of the segment to be erased. The dummy write starts the erase operation and is required for all erase operations including mass erase. Figure 5-3 shows the erase cycle timing. The BUSY bit is set immediately after the dummy write and remains set throughout the erase cycle. BUSY, MERAS, and ERASE are automatically cleared when the cycle completes. No additional dummy write access should be made while the control bits are cleared, otherwise, ACCVIFG is set. The mass erase cycle timing is not dependent on the amount of flash memory present on a device. Erase cycle times are equivalent for all devices.

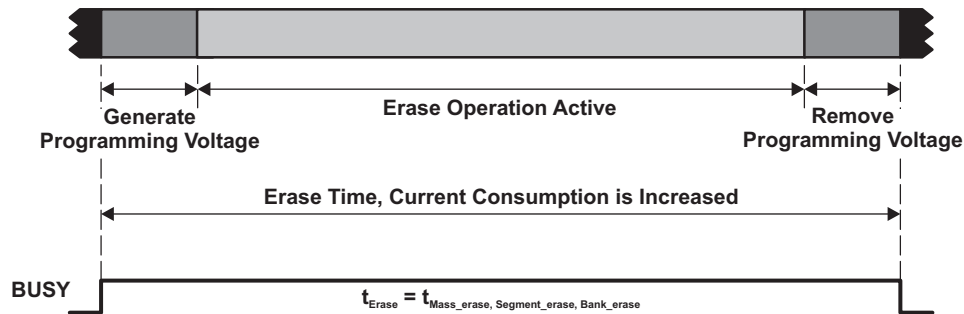


Figure 5-3. Erase Cycle Timing

5.3.1.2 Erasing Main Memory

The main memory consists of one or more banks. Each bank can be erased individually (bank erase). All main memory banks can be erased in the mass erase mode.

5.3.1.3 Erasing Information Memory or BSL Flash Segments

The information memory A to D and the BSL segments A to D can only be erased in segment erase mode. They are not erased during a bank erase or a mass erase. Erasing is only possible by first clearing the LOCKINFO bit.

5.3.1.4 Initiating Erase From Flash

An erase cycle can be initiated from within flash memory. During a bank erase, code can be executed from flash or RAM. The executed code cannot be located in a bank to be erased.

For any segment erase, the CPU is held until the erase cycle completes regardless of the bank the code resides in. After the segment erase cycle ends, the CPU resumes code execution with the instruction following the dummy write.

When initiating an erase cycle from within flash memory, it is possible to erase the code needed for execution after the erase operation. If this occurs, CPU execution is unpredictable after the erase cycle.

The flow to initiate an erase from flash is shown in [Figure 5-4](#).

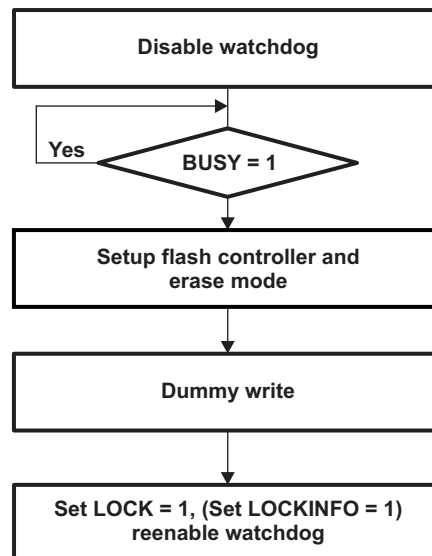


Figure 5-4. Erase Cycle From Flash

```

; Segment Erase from flash.
; Assumes Program Memory. Information memory or BSL
; requires LOCKINFO to be cleared as well.
; Assumes ACCVIE = NMIIIE = OFIE = 0.
    MOV    #WDTPW+WDTHOLD,&WDTCTL    ; Disable WDT
L1  BIT    #BUSY,&FCTL3              ; Test BUSY
    JNZ    L1                        ; Loop while busy
    MOV    #FWPW,&FCTL3              ; Clear LOCK
    MOV    #FWPW+ERASE,&FCTL1       ; Enable segment erase
    CLR    &0FC10h                  ; Dummy write
L2  BIT    #BUSY,&FCTL3              ; Test BUSY
    JNZ    L2                        ; Loop while busy
    MOV    #FWPW+LOCK,&FCTL3        ; Done, set LOCK
    ...                               ; Re-enable WDT?
  
```

5.3.1.5 Initiating Erase From RAM

An erase cycle can be initiated from RAM. In this case, the CPU is not held and continues to execute code from RAM. The mass erase (all main memory banks) operation is initiated while executing from RAM. The BUSY bit is used to determine the end of the erase cycle. If the flash is busy completing a bank erase, flash addresses of a different bank can be used to read data or to fetch instructions. While the flash is BUSY, starting an erase cycle or a programming cycle causes an access violation, ACCIFG is set to 1, and the result of the erase operation is unpredictable.

The flow to initiate an erase from flash from RAM is shown in [Figure 5-5](#).

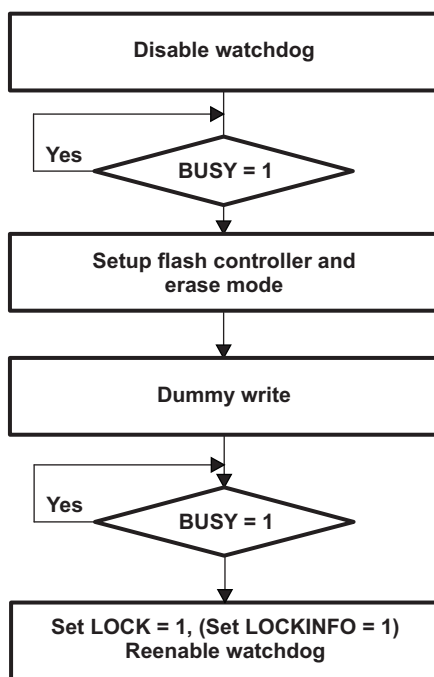


Figure 5-5. Erase Cycle From RAM

```

; segment Erase from RAM.
; Assumes Program Memory. Information memory or BSL
; requires LOCKINFO to be cleared as well.
; Assumes ACCVIE = NMIE = OFIE = 0.
    MOV    #WDTPW+WDTHOLD,&WDTCTL    ; Disable WDT
L1  BIT    #BUSY,&FCTL3              ; Test BUSY
    JNZ   L1                        ; Loop while busy
    MOV    #FWPW,&FCTL3              ; Clear LOCK
    MOV    #FWPW+ERASE,&FCTL1       ; Enable page erase
    CLR    &0FC10h                  ; Dummy write
L2  BIT    #BUSY,&FCTL3              ; Test BUSY
    JNZ   L2                        ; Loop while busy
    MOV    #FWPW+LOCK,&FCTL3        ; Done, set LOCK
    ...                               ; Re-enable WDT?
  
```

5.3.2 Writing Flash Memory

The write modes, selected by the WRT and BLKWRT bits, are listed in [Table 5-3](#).

Table 5-3. Write Modes

BLKWRT	WRT	Write Mode
0	1	Byte or word write
1	0	Long-word write
1	1	Long-word block write

The write modes use a sequence of individual write instructions. Using the long-word write mode is approximately twice as fast as the byte or word mode. Using the long-word block write mode is approximately four times faster than byte or word mode, because the voltage generator remains on for the complete block write, and long-words are written in parallel. Any instruction that modifies a destination can be used to modify a flash location in either byte or word write mode, long-word write mode, or block long-word write mode.

The BUSY bit is set while the write operation is active and cleared when the operation completes. If the write operation is initiated from RAM, the CPU must not access flash while BUSY is set to 1. Otherwise, an access violation occurs, ACCVIFG is set, and the flash write is unpredictable.

5.3.2.1 Byte or Word Write

A byte or word write operation can be initiated from within flash memory or from RAM. When initiating from within flash memory, the CPU is held while the write completes. After the write completes, the CPU resumes code execution with the instruction following the write access. The byte, word, and long-word write timing is shown in [Figure 5-6](#). Byte, word, and long-word write times are identical.

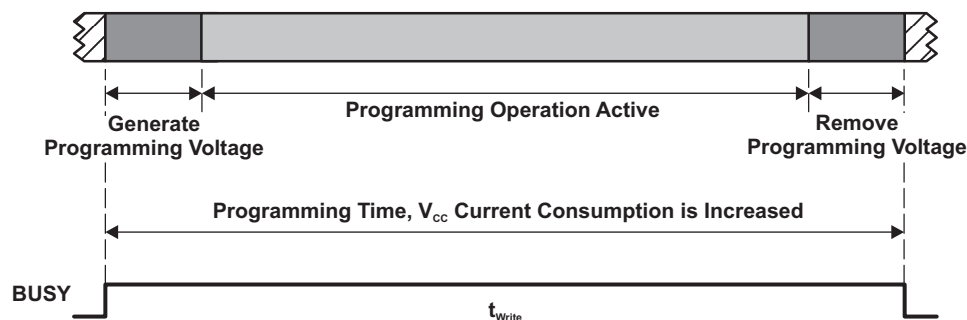


Figure 5-6. Byte, Word, and Long-Word Write Timing

When a byte or word write is executed from RAM, the CPU continues to execute code from RAM. The BUSY bit must be zero before the CPU accesses flash again, otherwise an access violation occurs, ACCVIFG is set, and the write result is unpredictable.

In any write mode, the internally-generated programming voltage is applied to the complete 128-byte block. The cumulative programming time, t_{CPT} , must not be exceeded for any block. Each byte, word, or long-word write adds to the cumulative program time of a segment. If the maximum cumulative program time is reached or exceeded, the segment must be erased. Further programming or using the data returns unpredictable results (see the device-specific data sheet for specifications).

5.3.2.2 Initiating Byte or Word Write From Flash

The flow to initiate a byte or word write from flash is shown in [Figure 5-7](#).

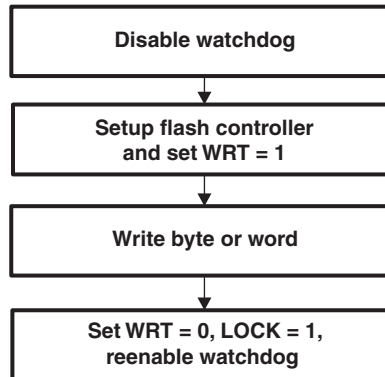


Figure 5-7. Initiating a Byte or Word Write From Flash

```

; Byte or word write from flash.
; Assumes 0x0FF1E is already erased
; Assumes ACCVIE = NMIIIE = OFIE = 0.
MOV  #WDTPW+WDTHOLD,&WDTCTL      ; Disable WDT
MOV  #FWPW,&FCTL3                 ; Clear LOCK
MOV  #FWPW+WRT,&FCTL1             ; Enable write
MOV  #0123h,&0FF1Eh               ; 0123h -> 0x0FF1E
MOV  #FWPW,&FCTL1                 ; Done. Clear WRT
MOV  #FWPW+LOCK,&FCTL3            ; Set LOCK
...                                ; Re-enable WDT?
  
```

5.3.2.3 Initiating Byte or Word Write From RAM

The flow to initiate a byte or word write from RAM is shown in [Figure 5-8](#).

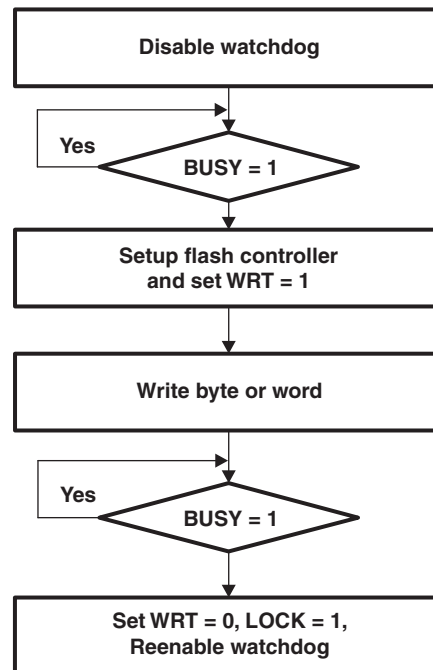


Figure 5-8. Initiating a Byte or Word Write From RAM

```

; Byte or word write from RAM.
; Assumes 0xFF1E is already erased
; Assumes ACCVIE = NMIE = OFIE = 0.
MOV #WDPW+WDTHOLD,&WDTCTL ; Disable WDT
L1 BIT #BUSY,&FCTL3 ; Test BUSY
JNZ L1 ; Loop while busy
MOV #FWPW,&FCTL3 ; Clear LOCK
MOV #FWPW+WRT,&FCTL1 ; Enable write
MOV #0123h,&0FF1Eh ; 0123h -> 0xFF1E
L2 BIT #BUSY,&FCTL3 ; Test BUSY
JNZ L2 ; Loop while busy
MOV #FWPW,&FCTL1 ; Clear WRT
MOV #FWPW+LOCK,&FCTL3 ; Set LOCK
... ; Re-enable WDT?
  
```

5.3.2.4 Long-Word Write

A long-word write operation can be initiated from within flash memory or from RAM. The BUSY bit is set to 1 after 32 bits are written to the flash controller and the programming cycle starts. When initiating from within flash memory, the CPU is held while the write completes. After the write completes, the CPU resumes code execution with the instruction following the write access. The long-word write timing is shown in Figure 5-6.

A long-word consists of four consecutive bytes aligned to at 32-bit address (only the lower two address bits are different). The bytes can be written in any order or any combination of bytes and words. If a byte or word is written more than once, the last data written to the four bytes are stored into the flash memory.

If a write to a flash address outside of the 32-bit address happens before all four bytes are available, the data written so far is discarded, and the latest byte or word written defines the new 32-bit aligned address.

When 32 bits are available, the write cycle is executed. When executing from RAM, the CPU continues to execute code. The BUSY bit must be zero before the CPU accesses flash again, otherwise an access violation occurs, ACCVIFG is set, and the write result is unpredictable.

In long-word write mode, the internally-generated programming voltage is applied to a complete 128-byte block. The cumulative programming time, t_{CPT} , must not be exceeded for any block. Each write adds to the cumulative program time of a segment. If the maximum cumulative program time is reached or exceeded, the segment must be erased. Further programming or using the data returns unpredictable results.

With each write, the amount of time the block is subjected to the programming voltage accumulates. If the cumulative programming time is reached or exceeded, the block must be erased before further programming or use (see the device-specific data sheet for specifications).

5.3.2.5 Initiating Long-Word Write From Flash

The flow to initiate a long-word write from flash is shown in Figure 5-9.

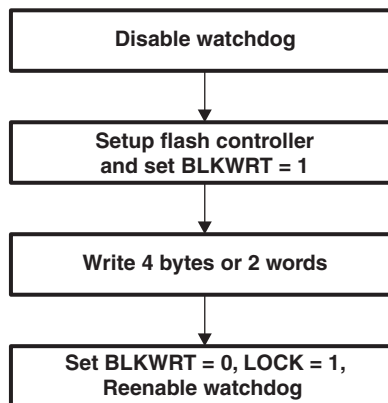


Figure 5-9. Initiating Long-Word Write From Flash

```

; Long-word write from flash.
; Assumes 0x0FF1C and 0x0FF1E is already erased
; Assumes ACCVIE = NMIIIE = OFIE = 0.
MOV #WDPW+WDTHOLD,&WDTCTL ; Disable WDT
MOV #FWPW,&FCTL3 ; Clear LOCK
MOV #FWPW+BLKWRT,&FCTL1 ; Enable 2-word write
MOV #0123h,&0FF1Ch ; 0123h -> 0x0FF1C
MOV #45676h,&0FF1Eh ; 04567h -> 0x0FF1E
MOV #FWPW,&FCTL1 ; Done. Clear BLKWRT
MOV #FWPW+LOCK,&FCTL3 ; Set LOCK
... ; Re-enable WDT?
    
```

5.3.2.6 Initiating Long-Word Write From RAM

The flow to initiate a long-word write from RAM is shown in [Figure 5-10](#).

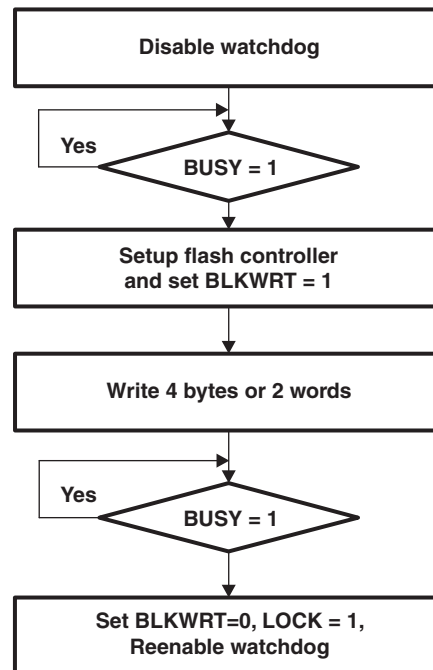


Figure 5-10. Initiating Long-Word Write from RAM

```

; Two 16-bit word writes from RAM.
; Assumes 0xFF1C and 0xFF1E is already erased
; Assumes ACCVIE = NMIIE = OFIE = 0.
MOV #WDPW+WDTHOLD,&WDTCTL ; Disable WDT
L1 BIT #BUSY,&FCTL3 ; Test BUSY
JNZ L1 ; Loop while busy
MOV #FWPW,&FCTL3 ; Clear LOCK
MOV #FWPW+BLKWRT,&FCTL1 ; Enable write
MOV #0123h,&0FF1Ch ; 0123h -> 0xFF1C
MOV #4567h,&0FF1Eh ; 4567h -> 0xFF1E
L2 BIT #BUSY,&FCTL3 ; Test BUSY
JNZ L2 ; Loop while busy
MOV #FWPW,&FCTL1 ; Clear WRT
MOV #FWPW+LOCK,&FCTL3 ; Set LOCK
... ; Re-enable WDT?
  
```

5.3.2.7 Block Write

The block write can be used to accelerate the flash write process when many sequential bytes or words need to be programmed. The flash programming voltage remains on for the duration of writing the 128-byte row. The cumulative programming time, t_{CPT} , must not be exceeded for any row during a block write. Only long-word writes are possible using block write mode.

A block write cannot be initiated from within flash memory. The block write must be initiated from RAM. The BUSY bit remains set throughout the duration of the block write. The WAIT bit must be checked between writing four bytes, or two words, to the block. When WAIT is set, then four bytes, or two 16-bit words, of the block can be written. When writing successive blocks, the BLKWRT bit must be cleared after the current block is completed. BLKWRT can be set initiating the next block write after the required flash recovery time given by t_{END} . BUSY is cleared following each block write completion, indicating the next block can be written. Figure 5-11 shows the block write timing. The first long-word write requires $t_{Block,0}$ and the last long-write requires $t_{Block,N}$. All other blocks require $t_{Block,1-(N-1)}$.

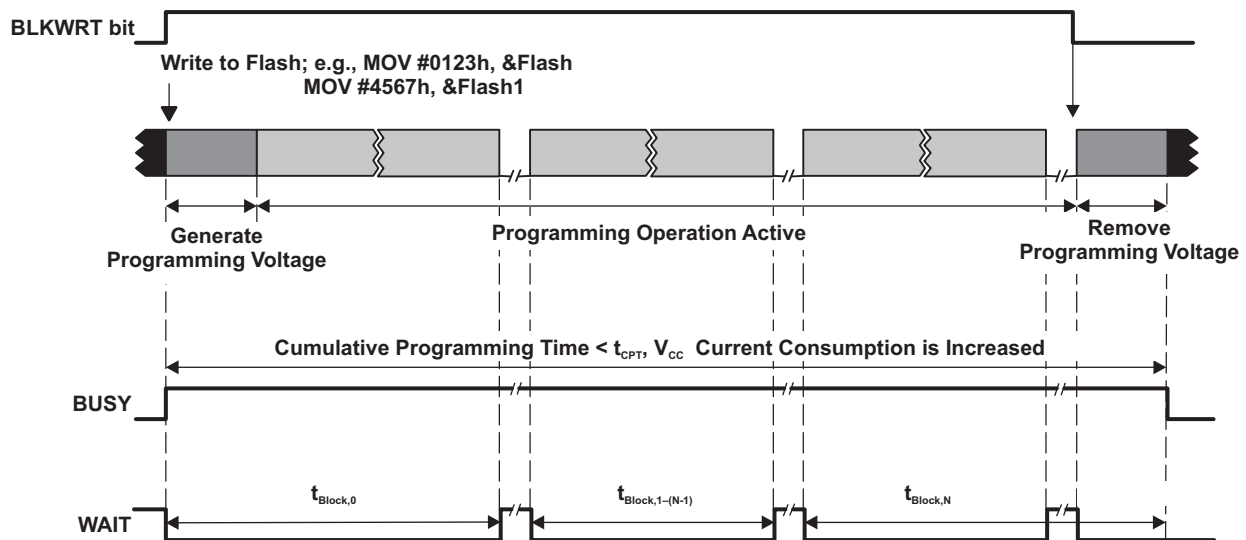


Figure 5-11. Block-Write Cycle Timing

5.3.2.8 Block Write Flow and Example

A block write flow is shown in [Figure 5-12](#) and the following code example.

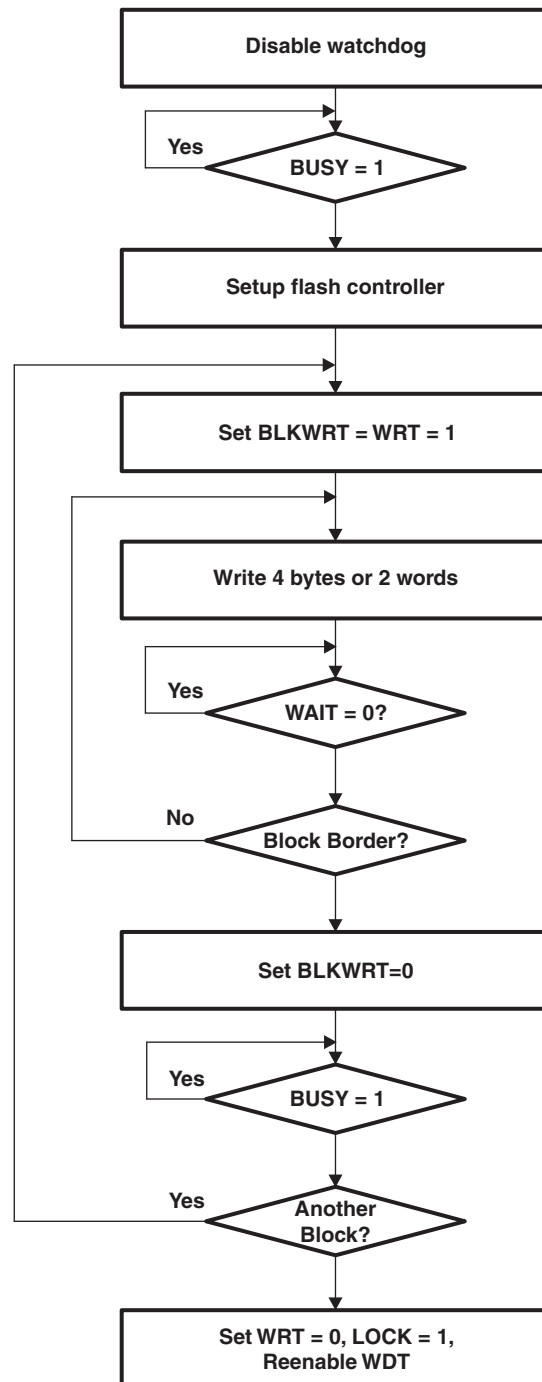


Figure 5-12. Block Write Flow

```

; Write one block starting at 0F000h.
; Must be executed from RAM, Assumes Flash is already erased.
; Assumes ACCVIE = NMIIE = OFIE = 0.
    MOV    #32,R5                ; Use as write counter
    MOV    #0F000h,R6           ; Write pointer
    MOV    #WDTPW+WDTHOLD,&WDTCTL ; Disable WDT
L1  BIT    #BUSY,&FCTL3         ; Test BUSY
    JNZ    L1                    ; Loop while busy
    MOV    #FWPW,&FCTL3         ; Clear LOCK
    MOV    #FWPW+BLKWRT+WRT,&FCTL1 ; Enable block write
L2  MOV    Write_Value1,0(R6)   ; Write 1st location
    MOV    Write_Value2,2(R6)   ; Write 2nd word
L3  BIT    #WAIT,&FCTL3         ; Test WAIT
    JZ     L3                    ; Loop while WAIT=0
    INCD   R6                    ; Point to next words
    INCD   R6                    ; Point to next words
    DEC    R5                    ; Decrement write counter
    JNZ    L2                    ; End of block?
    MOV    #FWPW,&FCTL1         ; Clear WRT, BLKWRT
L4  BIT    #BUSY,&FCTL3         ; Test BUSY
    JNZ    L4                    ; Loop while busy
    MOV    #FWPW+LOCK,&FCTL3    ; Set LOCK
    ...                          ; Re-enable WDT if needed
    
```

5.3.3 Flash Memory Access During Write or Erase

When a write or an erase operation is initiated from RAM while $BUSY = 1$, the CPU may not write to any flash location. Otherwise, an access violation occurs, $ACCVIFG$ is set, and the result is unpredictable. $ACCVIFG$ is also set if a Flash write or erase access is attempted without any Flash write or erase mode selected first.

When a write operation is initiated from within flash memory, the CPU continues code execution with the next instruction fetch after the write cycle completed ($BUSY = 0$).

The op-code 3FFFh is the JMP PC instruction. This causes the CPU to loop until the flash operation is finished. When the operation is finished and $BUSY = 0$, the flash controller allows the CPU to fetch the op-code and program execution resumes.

The flash access conditions while $BUSY = 1$ are listed in [Table 5-4](#).

Table 5-4. Flash Access While Flash is Busy ($BUSY = 1$)

Flash Operation	Flash Access	WAIT	Result
Bank erase	Read	0	From the erased bank: $ACCVIFG = 0$. 03FFFh is the value read. From any other flash location: $ACCVIFG = 0$. Valid read.
	Write	0	$ACCVIFG = 1$. Write is ignored.
	Instruction fetch	0	From the erased bank: $ACCVIFG = 0$. CPU fetches 03FFFh. This is the JMP PC instruction. From any other flash location: $ACCVIFG = 0$. Valid instruction fetch.
Segment erase	Read	0	$ACCVIFG = 0$: 03FFFh is the value read.
	Write	0	$ACCVIFG = 1$: Write is ignored.
	Instruction fetch	0	$ACCVIFG = 0$: CPU fetches 03FFFh. This is the JMP PC instruction.
Word or byte write or long-word write	Read	0	$ACCVIFG = 0$: 03FFFh is the value read.
	Write	0	$ACCVIFG = 1$: Write is ignored.
	Instruction fetch	0	$ACCVIFG = 0$: CPU fetches 03FFFh. This is the JMP PC instruction.
Block write	Any	0	$ACCVIFG = 1$: LOCK = 1, block write is exited.
	Read	1	$ACCVIFG = 0$: 03FFFh is the value read.
	Write	1	$ACCVIFG = 0$: Valid write
	Instruction fetch	1	$ACCVIFG = 1$: LOCK = 1, block write is exited

Interrupts are automatically disabled during any flash operation.

The watchdog timer (in watchdog mode) should be disabled before a flash erase cycle. A reset aborts the erase and the result is unpredictable. After the erase cycle has completed, the watchdog may be reenabled.

5.3.4 Stopping Write or Erase Cycle

Any write or erase operation can be stopped before its normal completion by setting the emergency exit bit EMEX. Setting the EMEX bit stops the active operation and resets the flash controller. All flash operations cease, the flash returns to read mode, and all bits in the FCTL1 register are reset. The LOCK bit of FCTL3 is set. The result of the intended operation is unpredictable.

5.3.4.1 EMEX With Single Bank Flash Memory

For devices with single bank flash memories, write and erase operations initiated from flash, the CPU is held until the flash operation completes. Therefore it is not possible to perform an emergency exit by the EMEX bit. The emergency exit of write or erase operations initiated from RAM can be performed using the EMEX bit. The BUSY bit is used to determine the end of the emergency exit cycle. The user must ensure that code execution does not continue until the BUSY bit is cleared by the flash controller.

5.3.4.2 EMEX With Multiple Bank Flash Memory

For devices with multiple bank flash memories, write and segment erase operations initiated from flash, regardless of which bank the code resides in, the CPU is held until the flash operation completes. Therefore it is not possible to perform an emergency exit by the EMEX bit. For bank erase, there is a possibility to perform an EMEX if the bank being erased is not where the code resides. The BUSY bit is used to determine the end of the emergency exit cycle. The user must ensure that code execution does not continue until the BUSY bit is cleared by the flash controller.

The emergency exit of write or any erase operations initiated from RAM can be performed using the EMEX bit. The BUSY bit is used to determine the end of the emergency exit cycle. The user must ensure that code execution does not continue until the BUSY bit is cleared by the flash controller.

5.3.5 Checking Flash Memory

The result of a programming cycle of the flash memory can be checked by calculating and storing a checksum (CRC) of parts or the complete flash memory content. The CRC module can be used for this purpose (see the device-specific data sheet). During the runtime of the system, the known checksums can be recalculated and compared with the expected values stored in the flash memory. The program checking the flash memory content is executed in RAM.

To get an early indication of weak memory cells, reading the flash can be done in combination with the device-specific marginal read modes. The marginal read modes are controlled by the FCTL4.MRG0 and FCTL4.MRG1 register bits if available (device specific). During marginal read mode, marginally programmed flash memory bit locations can be detected. One method for identifying such memory locations would be to periodically perform a checksum calculation over a section of flash memory (for example, a flash segment) and repeating this procedure with the marginal read mode enabled. If they do not match, it could indicate an insufficiently programmed flash memory location. It is possible to refresh the affected Flash memory segment by disabling marginal read mode, copying to RAM, erasing the flash segment, and writing back to it from RAM.

The program checking the flash memory contents must be executed from RAM. Executing code from flash automatically disables the marginal read mode. The marginal read modes are controlled by the MRG0 and MRG1 register bits. Setting MRG1 is used to detect insufficiently programmed flash cells containing a "1" (erased bits). Setting MRG0 is used to detect insufficiently programmed flash cells containing a "0" (programmed bits). Only one of these bits should be set at a time. Therefore, a full marginal read check requires two passes of checking the flash memory content's integrity. During marginal read mode, the flash access speed (MCLK) must be limited to 1 MHz (see the device-specific data sheet).

5.3.6 Configuring and Accessing the Flash Memory Controller

The FCTLx registers are 16-bit password-protected read and write registers. Any read or write access must use word instructions, and write accesses must include the write password 0A5h in the upper byte. Any write to any FCTLx register with a value other than 0A5h in the upper byte is a password violation, sets the KEYV flag, and triggers a PUC system reset. Any read of any FCTLx registers reads 096h in the upper byte.

Any write to FCTL1 during an erase or byte, word, double-word write operation is an access violation and sets ACCVIFG. Writing to FCTL1 is allowed in block write mode when WAIT = 1, but writing to FCTL1 in block write mode when WAIT = 0 is an access violation and sets ACCVIFG.

Any write to FCTL2 (this register is currently not implemented) when BUSY = 1 is an access violation.

Any FCTLx register may be read when BUSY = 1. A read does not cause an access violation.

5.3.7 Flash Memory Controller Interrupts

The flash controller has two interrupt sources, KEYV and ACCVIFG. ACCVIFG is set when an access violation occurs. When the ACCVIE bit is reenabled after a flash write or erase, a set ACCVIFG flag generates an interrupt request. The ACCVIE bit resides in the Special Function Register, SFRIE1 (see the [SYS chapter](#) for details). ACCVIFG sources the NMI interrupt vector, so it is not necessary for GIE to be set for ACCVIFG to request an interrupt. ACCVIFG may also be checked by software to determine if an access violation occurred. ACCVIFG must be reset by software.

The password violation flag, KEYV, is set when any of the flash control registers are written with an incorrect password. When this occurs, a PUC is generated immediately, resetting the device.

5.3.8 Programming Flash Memory Devices

There are three options for programming a flash device. All options support in-system programming.

- Program via JTAG
- Program via the BSL
- Program via a custom solution

5.3.8.1 Programming Flash Memory Via JTAG

Devices can be programmed via the JTAG port. The JTAG interface requires four signals (five signals on 20- and 28-pin devices), ground, and optionally VCC and RST/NMI.

The JTAG port is protected with a fuse. Blowing the fuse completely disables the JTAG port and is not reversible. Further access to the device via JTAG is not possible. For more details, see the *MSP430 Programming Via the JTAG Interface User's Guide* ([SLAU320](#)).

5.3.8.2 Programming Flash Memory Via Bootstrap Loader (BSL)

Every flash device contains a BSL. The BSL enables users to read or program the flash memory or RAM using a UART serial interface. Access to the flash memory via the BSL is protected by a 256-bit user-defined password. For more details, see the *MSP430 Programming Via the Bootstrap Loader User's Guide* ([SLAU319](#)).

5.3.8.3 Programming Flash Memory Via Custom Solution

The ability of the MSP430 CPU to write to its own flash memory allows for in-system and external custom programming solutions as shown in [Figure 5-13](#). The user can choose to provide data through any means available (for example, UART or SPI). User-developed software can receive the data and program the flash memory. Because this type of solution is developed by the user, it can be completely customized to fit the application needs for programming, erasing, or updating the flash memory.

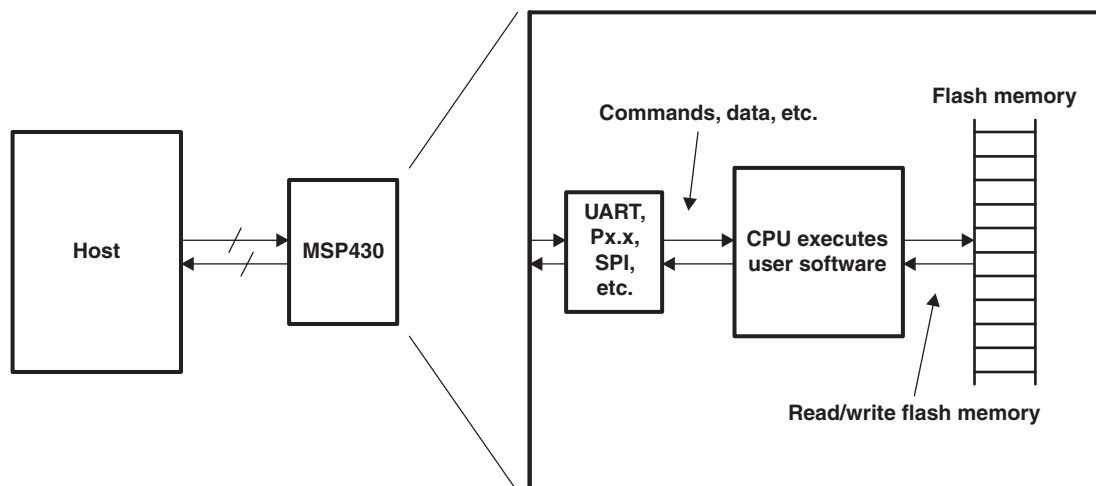


Figure 5-13. User-Developed Programming Solution

5.4 FCTL Registers

The flash memory controller (FCTL) registers are listed in [Table 5-5](#). The base address can be found in the device-specific data sheet. The address offset is given in [Table 5-5](#).

NOTE: All registers have word or byte register access. For a generic register *ANYREG*, the suffix "_L" (*ANYREG_L*) refers to the lower byte of the register (bits 0 through 7). The suffix "_H" (*ANYREG_H*) refers to the upper byte of the register (bits 8 through 15).

Table 5-5. FCTL Registers

Offset	Acronym	Register Name	Type	Access	Reset	Section
00h	FCTL1	Flash Memory Control 1	Read/write	Word	9600h	Section 5.4.1
00h	FCTL1_L		Read/Write	Byte	00h	
01h	FCTL1_H		Read/Write	Byte	96h	
04h	FCTL3	Flash Memory Control 3	Read/write	Word	9658h	Section 5.4.2
04h	FCTL3_L		Read/Write	Byte	58h	
05h	FCTL3_H		Read/Write	Byte	96h	
06h	FCTL4	Flash Memory Control 4	Read/write	Word	9600h	Section 5.4.3
06h	FCTL4_L		Read/Write	Byte	00h	
07h	FCTL4_H		Read/Write	Byte	96h	

5.4.1 FCTL1 Register

Flash Memory Control 1 Register

Figure 5-14. FCTL1 Register

15	14	13	12	11	10	9	8
FRPW/FWPW							
7	6	5	4	3	2	1	0
BLKWRT	WRT	SWRT	Reserved		MERAS	ERASE	Reserved
rw-0	rw-0	rw-0	r-0	r-0	rw-0	rw-0	r-0

Table 5-6. FCTL1 Register Description

Bit	Field	Type	Reset	Description
15-8	FRPW/FWPW	RW	96h	FCTL password. Always read as 096h. Must be written as 0A5h or a PUC is generated.
7	BLKWRT	RW	0h	Block write. BLKWRT and WRT are used together to select the write mode. The values shown below are for BLKWRT-WRT. 0-0 = Reserved 0-1 = Byte or word write 1-0 = Long-word write 1-1 = Long-word block write
6	WRT	RW	0h	Write. BLKWRT and WRT are used together to select the write mode. The values shown below are for BLKWRT-WRT. 0-0 = Reserved 0-1 = Byte or word write 1-0 = Long-word write 1-1 = Long-word block write
5	SWRT	RW	0h	Smart write. If this bit is set, the program time is shortened. The programming quality has to be checked by marginal read modes.
4-3	Reserved	R	0h	Reserved. Always reads as 0.
2	MERAS			Mass erase. MERAS and ERASE are used together to select the erase mode. MERAS and ERASE are automatically reset when EMEX is set or a flash erase operation has completed. The values shown below are for MERAS-ERASE. 0-0 = No erase 0-1 = Segment erase 1-0 = Bank erase (erase of one bank) 1-1 = Mass erase (erase all flash memory banks)
1	ERASE			Erase. MERAS and ERASE are used together to select the erase mode. MERAS and ERASE are automatically reset when EMEX is set or a flash erase operation has completed. The values shown below are for MERAS-ERASE. 0-0 = No erase 0-1 = Segment erase 1-0 = Bank erase (erase of one bank) 1-1 = Mass erase (erase all flash memory banks)
0	Reserved	R	0h	Reserved. Always reads as 0.

5.4.2 FCTL3 Register

Flash Memory Control 3 Register

Figure 5-15. FCTL3 Register

15	14	13	12	11	10	9	8
FRPW/FWPW							
7	6	5	4	3	2	1	0
Reserved	LOCKA	EMEX	LOCK	WAIT	ACCVIFG	KEYV	BUSY
r-0	rw-1	rw-0	rw-1	r-1	rw-0	rw-(0)	rw-0

Table 5-7. FCTL3 Register Description

Bit	Field	Type	Reset	Description
15-8	FRPW/FWPW	RW	96h	FCTLx password. Always read as 096h. Must be written as 0A5h or a PUC is generated.
7	Reserved	R	0h	Reserved. Always reads as 0.
6	LOCKA	RW	1h	Segment A lock. Write a 1 to this bit to change its state. Writing 0 has no effect. 0b = Segment A of the information memory is unlocked and can be written or erased in segment erase mode. 1b = Segment A of the information memory is locked and can not be written or erased in segment erase mode.
5	EMEX	RW	0h	Emergency exit. Setting this bit stops any erase or write operation. The LOCK bit is set. 0b = No emergency exit 1b = Emergency exit
4	LOCK	RW	1h	Lock. This bit unlocks the flash memory for writing or erasing. The LOCK bit can be set any time during a byte or word write or erase operation, and the operation completes normally. In the block write mode, if the LOCK bit is set while BLKWRT = WAIT = 1, BLKWRT and WAIT are reset and the mode ends normally. 0b = Unlocked 1b = Locked
3	WAIT	R	1h	Wait. Indicates the flash memory is being written to. 0b = Flash memory is not ready for the next byte or word write. 1b = Flash memory is ready for the next byte or word write.
2	ACCVIFG	RW	0h	Access violation interrupt flag 0b = No interrupt pending 1b = Interrupt pending
1	KEYV	RW	0h	Flash password violation. This bit indicates an incorrect FCTLx password was written to any flash control register and generates a PUC when set. KEYV must be reset with software. 0b = FCTLx password was written correctly. 1b = FCTLx password was written incorrectly.
0	BUSY	RW	0h	Busy. This bit indicates if the flash is currently busy erasing or programming. 0b = Not busy 1b = Busy

5.4.3 FCTL4 Register

Flash Memory Control 4 Register

Figure 5-16. FCTL4 Register

15	14	13	12	11	10	9	8
FRPW/FWPW							
7	6	5	4	3	2	1	0
LOCKINFO	Reserved	MRG1	MRG0	Reserved			VPE
rw-0	r-0	rw-0	rw-0	r-0	r-0	r-0	rw-0

Table 5-8. FCTL4 Register Description

Bit	Field	Type	Reset	Description
15-8	FRPW/FWPW	RW	96h	FCTLx password. Always reads as 096h. Must be written as 0A5h or a PUC is generated.
7	LOCKINFO	RW	0h	Lock information memory. If set, the information memory cannot be erased in segment erase mode and cannot be written to.
6	Reserved	R	0h	Reserved. Always reads as 0.
5	MRG1	RW	0h	Marginal read 1 mode. This bit enables the marginal 1 read mode. The marginal read 1 bit is valid for reads from the flash memory only. During a fetch cycle, the marginal mode is turned off automatically. If both MRG1 and MRG0 are set, MRG1 is active and MRG0 is ignored. 0b = Marginal 1 read mode is disabled. 1b = Marginal 1 read mode is enabled.
4	MRG0	RW	0h	Marginal read 0 mode. This bit enables the marginal 0 read mode. The marginal read 1 bit is valid for reads from the flash memory only. During a fetch cycle, the marginal mode is turned off automatically. If both MRG1 and MRG0 are set, MRG1 is active and MRG0 is ignored. 0b = Marginal 0 read mode is disabled. 1b = Marginal 0 read mode is enabled.
3-1	Reserved	R	0h	Reserved. Always reads as 0.
0	VPE	RW	0h	Voltage changed during program error. This bit is set by hardware and can only be cleared by software. If DVCC changed significantly during programming, this bit is set to indicate an invalid result. The ACCVIFG bit is set if VPE is set.

5.4.4 SFRIE1 Register

Interrupt Enable 1 Register

Figure 5-17. SFRIE1 Register

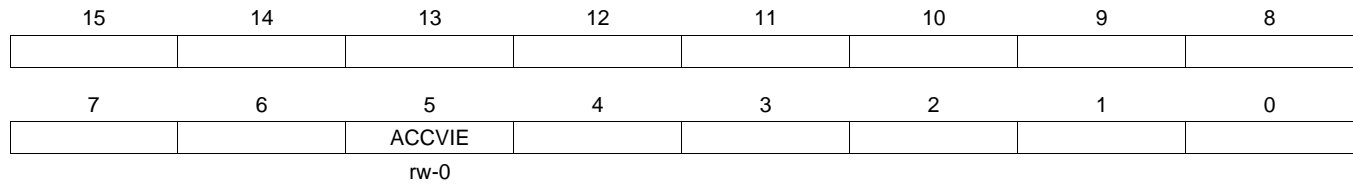


Table 5-9. SFRIE1 Register Description

Bit	Field	Type	Reset	Description
15-6				These bits may be used by other modules (see the device-specific data sheet and the SYS chapter for details).
5	ACCVIE	RW	0h	Flash memory access violation interrupt enable. This bit enables the ACCVIFG interrupt. Because other bits in SFRIE1 may be used for other modules, it is recommended to set or clear this bit using <code>BIS</code> or <code>BIC</code> instructions, rather than <code>MOV</code> or <code>CLR</code> instructions. See the SYS chapter for more details. 0b = Interrupt not enabled 1b = Interrupt enabled
4-0				These bits may be used by other modules (see the device-specific data sheet and the SYS chapter for details).



RAM Controller (RAMCTL)

The RAM controller (RAMCTL) allows control of the operation of the RAM.

Topic	Page
6.1 RAM Controller (RAMCTL) Introduction	313
6.2 RAMCTL Operation	313
6.3 RAMCTL Registers	314

6.1 RAM Controller (RAMCTL) Introduction

The RAMCTL provides access to the different power modes of the RAM. The RAMCTL allows the ability to reduce the leakage current while the CPU is off. The RAM can also be switched off. In retention mode, the RAM content is saved while the RAM content is lost in off mode. The RAM is partitioned in sectors, typically of 4KB (sector) size. See the device-specific data sheet for actual block allocation and size. Each sector is controlled by the RAM controller RAM Sector Off control bit (RCRSyOFF) of the RAMCTL Control 0 register (RCCTL0). The RCCTL0 register is protected with a key. Only if the correct key is written during a word write, the RCCTL0 register content can be modified. Byte write accesses or write accesses with a wrong key are ignored.

6.2 RAMCTL Operation

Active mode

In active mode, the RAM can be read and written at any time. If a RAM address of a sector must hold data, the whole sector cannot be switched off.

Low-power modes

In all low-power modes, the CPU is switched off. As soon as the CPU is switched off, the RAM enters retention mode to reduce the leakage current.

RAM off mode

Each sector can be turned off independently of each other by setting the respective RCRSyOFF bit to 1. Reading from a switched off RAM sector returns 0 as data. All data previously stored into a switched off RAM sector is lost and cannot be read, even if the sector is turned on again.

Stack pointer

The program stack is located in RAM. Sectors holding the stack must not be turned off if an interrupt has to be executed, or a low-power mode is entered.

USB buffer memory

On devices with USB, the USB buffer memory is located in RAM. Sector 7 is used for this purpose. RCRS7OFF can be set to switch off this memory if it is not required for USB operation or is not being utilized in normal operation.

6.3 RAMCTL Registers

The RAMCTL module register is listed in [Table 6-1](#). The base address can be found in the device-specific data sheet. The address offset is given in [Table 6-1](#).

NOTE: All registers have word or byte register access. For a generic register *ANYREG*, the suffix "_L" (*ANYREG_L*) refers to the lower byte of the register (bits 0 through 7). The suffix "_H" (*ANYREG_H*) refers to the upper byte of the register (bits 8 through 15).

Table 6-1. RAMCTL Registers

Offset	Acronym	Register Name	Type	Access	Reset	Section
00h	RCCTL0	RAM Controller Control 0	Read/write	Word	6900h	Section 6.3.1
00h	RCCTL0_L		Read/write	Byte	00h	
01h	RCCTL0_H		Read/write	Byte	69h	

6.3.1 RCCTL0 Register

RAM Controller Control 0 Register

Figure 6-1. RCCTL0 Register

15	14	13	12	11	10	9	8
RCKEY							
rw-0	rw-1	rw-1	rw-0	rw-1	rw-0	rw-0	rw-1
7	6	5	4	3	2	1	0
RCRS7OFF	RCRS6OFF	RCRS5OFF	RCRS4OFF	RCRS3OFF	RCRS2OFF	RCRS1OFF	RCRS0OFF
rw-0	rw-0	rw-0	rw-0	rw-0	rw-0	rw-0	rw-0

Table 6-2. RCCTL0 Register Description

Bit	Field	Type	Reset	Description
15-8	RCKEY	RW	69h	RAM controller key. Always read as 69h. Must be written as 5Ah, otherwise the RAMCTL write is ignored.
7	RCRS7OFF	RW	0h	RAM controller RAM sector 7 off. Setting the bit to 1 turns off the RAM sector 7. All data of the RAM sector 7 is lost. See the device-specific data sheet to find the the number of RAM sectors available along with their respective address ranges and sizes.
6	RCRS6OFF	RW	0h	RAM controller RAM sector 6 off. Setting the bit to 1 turns off the RAM sector 6. All data of the RAM sector 6 is lost. See the device-specific data sheet to find the the number of RAM sectors available along with their respective address ranges and sizes.
5	RCRS5OFF	RW	0h	RAM controller RAM sector 5 off. Setting the bit to 1 turns off the RAM sector 5. All data of the RAM sector 5 is lost. See the device-specific data sheet to find the the number of RAM sectors available along with their respective address ranges and sizes.
4	RCRS4OFF	RW	0h	RAM controller RAM sector 4 off. Setting the bit to 1 turns off the RAM sector 4. All data of the RAM sector 4 is lost. See the device-specific data sheet to find the the number of RAM sectors available along with their respective address ranges and sizes.
3	RCRS3OFF	RW	0h	RAM controller RAM sector 3 off. Setting the bit to 1 turns off the RAM sector 3. All data of the RAM sector 3 is lost. See the device-specific data sheet to find the the number of RAM sectors available along with their respective address ranges and sizes.
2	RCRS2OFF	RW	0h	RAM controller RAM sector 2 off. Setting the bit to 1 turns off the RAM sector 2. All data of the RAM sector 2 is lost. See the device-specific data sheet to find the the number of RAM sectors available along with their respective address ranges and sizes.
1	RCRS1OFF	RW	0h	RAM controller RAM sector 1 off. Setting the bit to 1 turns off the RAM sector 1. All data of the RAM sector 1 is lost. See the device-specific data sheet to find the the number of RAM sectors available along with their respective address ranges and sizes.
0	RCRS0OFF	RW	0h	RAM controller RAM sector 0 off. Setting the bit to 1 turns off the RAM sector 0. All data of the RAM sector 0 is lost. See the device-specific data sheet to find the the number of RAM sectors available along with their respective address ranges and sizes.

Direct Memory Access (DMA) Controller Module

The direct memory access (DMA) controller module transfers data from one address to another without CPU intervention. This chapter describes the operation of the DMA controller.

Topic	Page
7.1 Direct Memory Access (DMA) Introduction	317
7.2 DMA Operation	319
7.3 DMA Registers	330

7.1 Direct Memory Access (DMA) Introduction

The DMA controller transfers data from one address to another, without CPU intervention, across the entire address range. For example, the DMA controller can move data from the ADC conversion memory to RAM.

Devices that contain a DMA controller may have up to eight DMA channels available. Therefore, depending on the number of DMA channels available, some features described in this chapter are not applicable to all devices. See the device-specific data sheet for number of channels supported.

Using the DMA controller can increase the throughput of peripheral modules. It can also reduce system power consumption by allowing the CPU to remain in a low-power mode, without having to awaken to move data to or from a peripheral.

DMA controller features include:

- Up to eight independent transfer channels
- Configurable DMA channel priorities
- Requires only two MCLK clock cycles per transfer
- Byte or word and mixed byte/word transfer capability
- Block sizes up to 65535 bytes or words
- Configurable transfer trigger selections
- Selectable-edge or level-triggered transfer
- Four addressing modes
- Single, block, or burst-block transfer modes

The DMA controller block diagram is shown in [Figure 7-1](#).

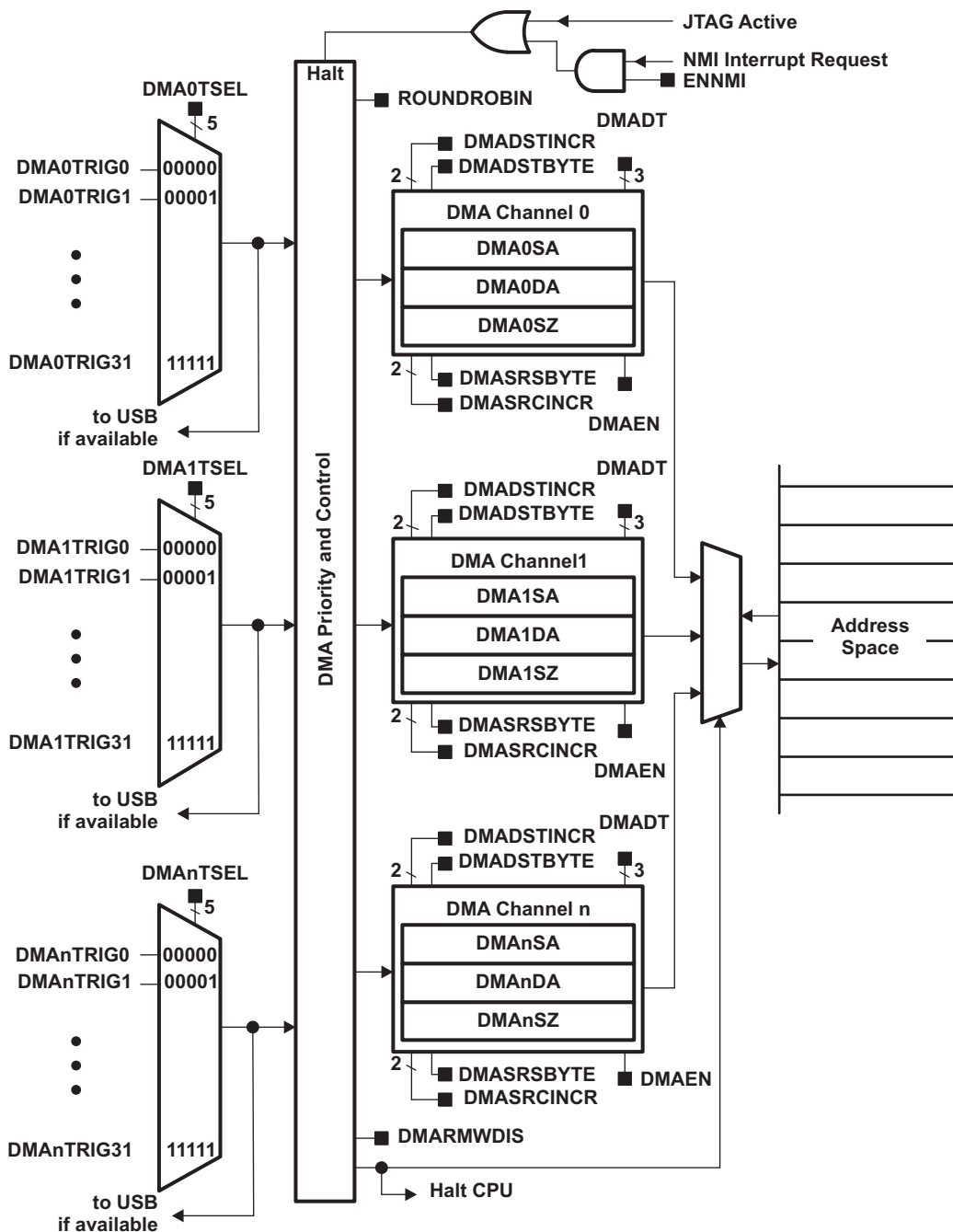


Figure 7-1. DMA Controller Block Diagram

7.2 DMA Operation

The DMA controller is configured with user software. The setup and operation of the DMA is discussed in the following sections.

7.2.1 DMA Addressing Modes

The DMA controller has four addressing modes. The addressing mode for each DMA channel is independently configurable. For example, channel 0 may transfer between two fixed addresses, while channel 1 transfers between two blocks of addresses. The addressing modes are shown in [Figure 7-2](#). The addressing modes are:

- Fixed address to fixed address
- Fixed address to block of addresses
- Block of addresses to fixed address
- Block of addresses to block of addresses

The addressing modes are configured with the DMASRCINCR and DMADSTINCR control bits. The DMASRCINCR bits select if the source address is incremented, decremented, or unchanged after each transfer. The DMADSTINCR bits select if the destination address is incremented, decremented, or unchanged after each transfer.

Transfers may be byte to byte, word to word, byte to word, or word to byte. When transferring word to byte, only the lower byte of the source-word transfers. When transferring byte to word, the upper byte of the destination-word is cleared when the transfer occurs.

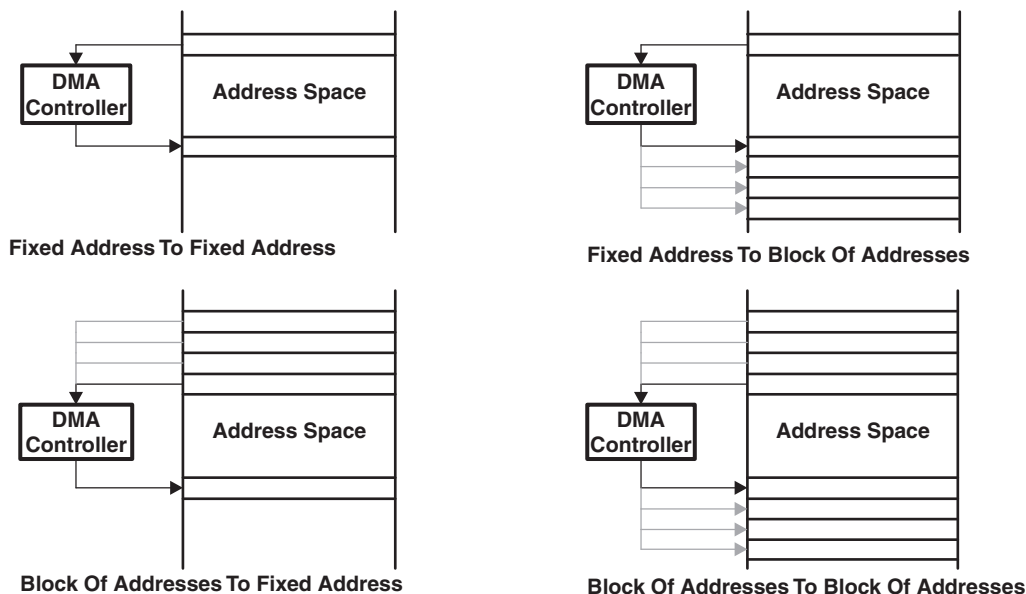


Figure 7-2. DMA Addressing Modes

7.2.2 DMA Transfer Modes

The DMA controller has six transfer modes selected by the DMADT bits as listed in [Table 7-1](#). Each channel is individually configurable for its transfer mode. For example, channel 0 may be configured in single transfer mode, while channel 1 is configured for burst-block transfer mode, and channel 2 operates in repeated block mode. The transfer mode is configured independently from the addressing mode. Any addressing mode can be used with any transfer mode.

Two types of data can be transferred selectable by the DMAxCTL DSTBYTE and SRCBYTE fields. The source and/or destination location can be either byte or word data. It is also possible to transfer byte to byte, word to word, or any combination.

Table 7-1. DMA Transfer Modes

DMADT	Transfer Mode	Description
000	Single transfer	Each transfer requires a trigger. DMAEN is automatically cleared when DMAxSZ transfers have been made.
001	Block transfer	A complete block is transferred with one trigger. DMAEN is automatically cleared at the end of the block transfer.
010, 011	Burst-block transfer	CPU activity is interleaved with a block transfer. DMAEN is automatically cleared at the end of the burst-block transfer.
100	Repeated single transfer	Each transfer requires a trigger. DMAEN remains enabled.
101	Repeated block transfer	A complete block is transferred with one trigger. DMAEN remains enabled.
110, 111	Repeated burst-block transfer	CPU activity is interleaved with a block transfer. DMAEN remains enabled.

7.2.2.1 Single Transfer

In single transfer mode, each byte/word transfer requires a separate trigger. The single transfer state diagram is shown in [Figure 7-3](#).

The DMAxSZ register is used to define the number of transfers to be made. The DMADSTINCR and DMASRCINCR bits select if the destination address and the source address are incremented or decremented after each transfer. If DMAxSZ = 0, no transfers occur.

The DMAxSA, DMAxDA, and DMAxSZ registers are copied into temporary registers. The temporary values of DMAxSA and DMAxDA are incremented or decremented after each transfer. The DMAxSZ register is decremented after each transfer. When the DMAxSZ register decrements to zero, it is reloaded from its temporary register and the corresponding DMAIFG flag is set. When DMADT = {0}, the DMAEN bit is cleared automatically when DMAxSZ decrements to zero and must be set again for another transfer to occur.

In repeated single transfer mode, the DMA controller remains enabled with DMAEN = 1, and a transfer occurs every time a trigger occurs.

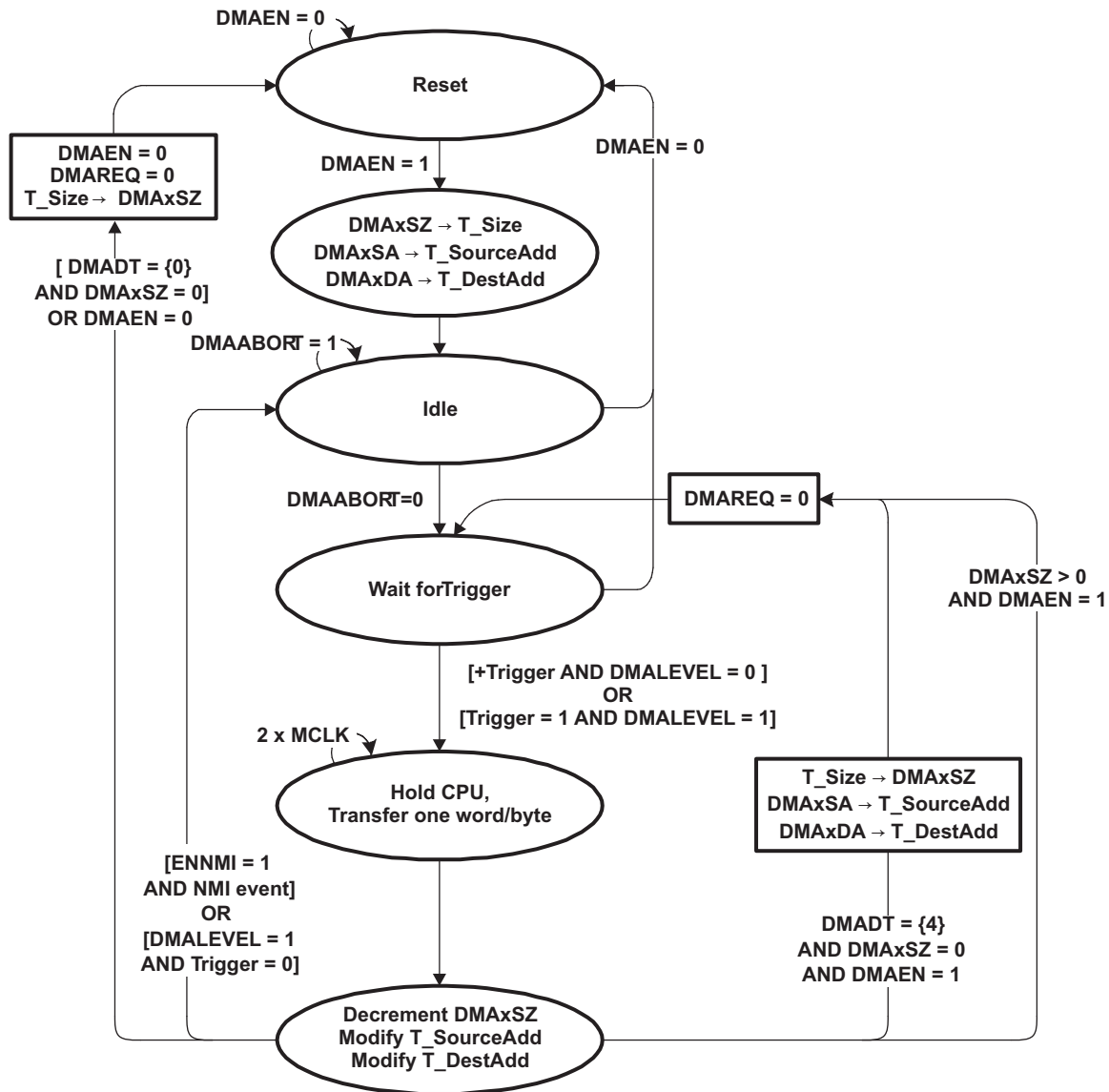


Figure 7-3. DMA Single Transfer State Diagram

7.2.2.2 Block Transfer

In block transfer mode, a transfer of a complete block of data occurs after one trigger. When $DMADT = \{1\}$, the $DMAEN$ bit is cleared after the completion of the block transfer and must be set again before another block transfer can be triggered. After a block transfer has been triggered, further trigger signals occurring during the block transfer are ignored. The block transfer state diagram is shown in Figure 7-4.

The $DMAxSZ$ register is used to define the size of the block, and the $DMADSTINCR$ and $DMASRCINCR$ bits select if the destination address and the source address are incremented or decremented after each transfer of the block. If $DMAxSZ = 0$, no transfers occur.

The $DMAxSA$, $DMAxDA$, and $DMAxSZ$ registers are copied into temporary registers. The temporary values of $DMAxSA$ and $DMAxDA$ are incremented or decremented after each transfer in the block. The $DMAxSZ$ register is decremented after each transfer of the block and shows the number of transfers remaining in the block. When the $DMAxSZ$ register decrements to zero, it is reloaded from its temporary register and the corresponding $DMAIFG$ flag is set.

During a block transfer, the CPU is halted until the complete block has been transferred. The block transfer takes $2 \times \text{MCLK} \times \text{DMAxSZ}$ clock cycles to complete. CPU execution resumes with its previous state after the block transfer is complete.

In repeated block transfer mode, the DMAEN bit remains set after completion of the block transfer. The next trigger after the completion of a repeated block transfer triggers another block transfer.

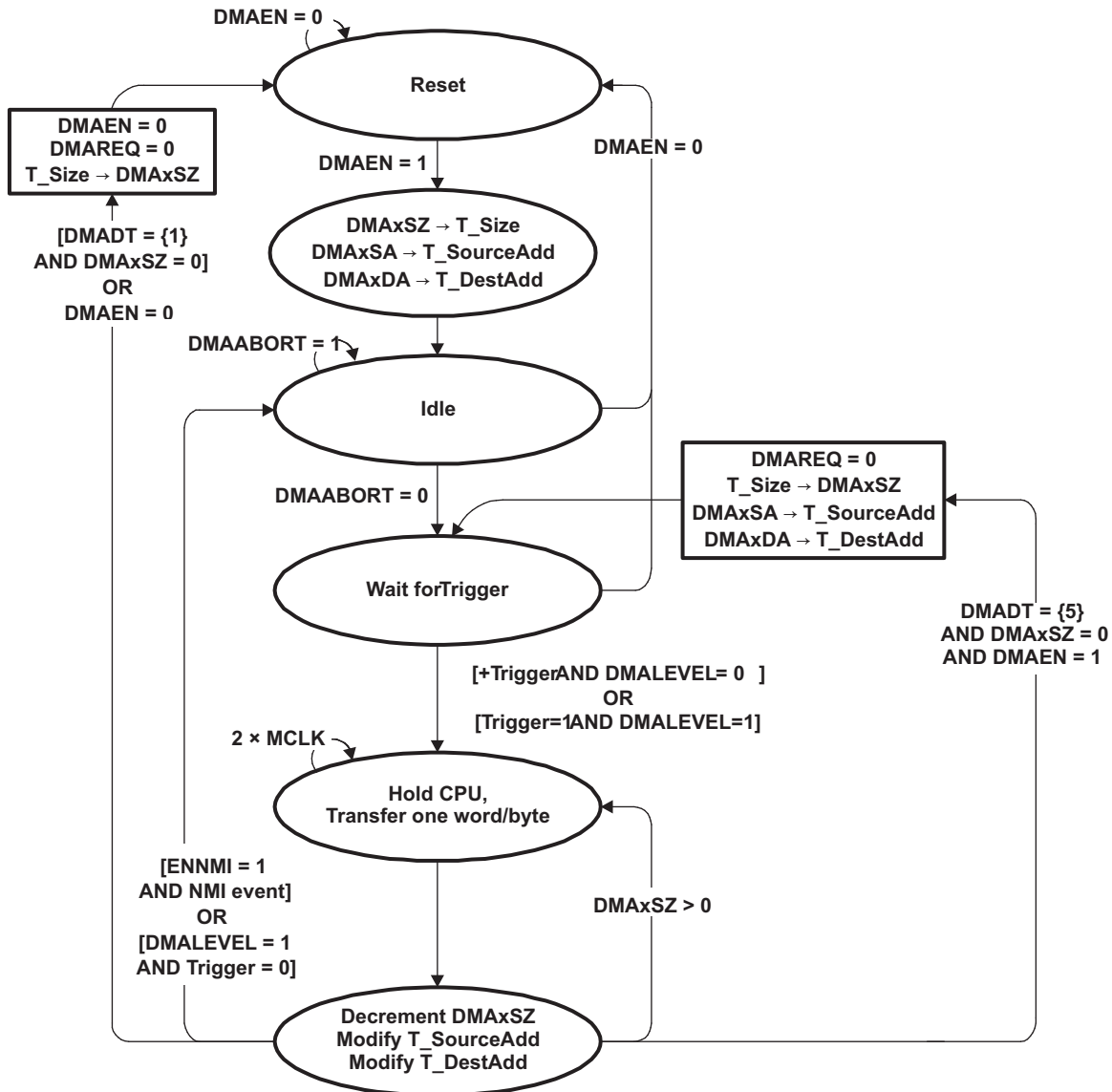


Figure 7-4. DMA Block Transfer State Diagram

7.2.2.3 Burst-Block Transfer

In burst-block mode, transfers are block transfers with CPU activity interleaved. The CPU executes two MCLK cycles after every four byte/word transfers of the block, resulting in 20% CPU execution capacity. After the burst-block, CPU execution resumes at 100% capacity and the DMAEN bit is cleared. DMAEN must be set again before another burst-block transfer can be triggered. After a burst-block transfer has been triggered, further trigger signals occurring during the burst-block transfer are ignored. The burst-block transfer state diagram is shown in [Figure 7-5](#).

The DMAxSZ register is used to define the size of the block, and the DMADSTINCR and DMASRCINCR bits select if the destination address and the source address are incremented or decremented after each transfer of the block. If DMAxSZ = 0, no transfers occur.

The DMAxSA, DMAxDA, and DMAxSZ registers are copied into temporary registers. The temporary values of DMAxSA and DMAxDA are incremented or decremented after each transfer in the block. The DMAxSZ register is decremented after each transfer of the block and shows the number of transfers remaining in the block. When the DMAxSZ register decrements to zero, it is reloaded from its temporary register and the corresponding DMAIFG flag is set.

In repeated burst-block mode, the DMAEN bit remains set after completion of the burst-block transfer and no further trigger signals are required to initiate another burst-block transfer. Another burst-block transfer begins immediately after completion of a burst-block transfer. In this case, the transfers must be stopped by clearing the DMAEN bit, or by an (non)maskable interrupt (NMI) when ENNMI is set. In repeated burst-block mode the CPU executes at 20% capacity continuously until the repeated burst-block transfer is stopped.

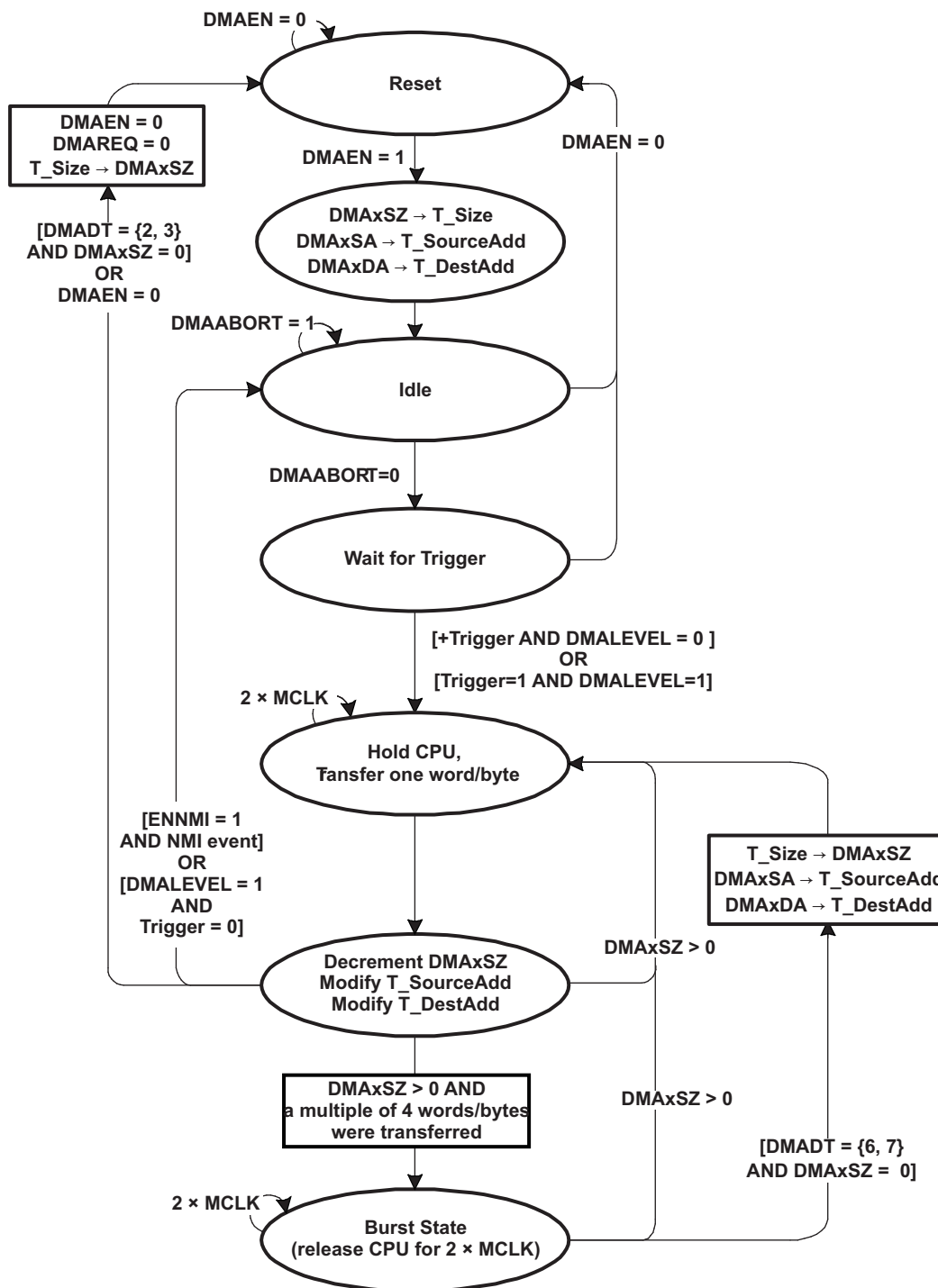


Figure 7-5. DMA Burst-Block Transfer State Diagram

7.2.3 Initiating DMA Transfers

Each DMA channel is independently configured for its trigger source with the DMAxTSEL. The DMAxTSEL bits should be modified only when the DMACTLx DMAEN bit is 0. Otherwise, unpredictable DMA triggers may occur. [Table 7-2](#) describes the trigger operation for each type of module. See the device-specific data sheet for the list of triggers available, along with their respective DMAxTSEL values.

When selecting the trigger, the trigger must not have already occurred, or the transfer does not take place.

NOTE: DMA trigger selection and USB

On devices that contain a USB module, the triggers selection from DMA channels 0, 1, or 2 can be used for the USB time stamp event selection (see the USB module description for further details).

7.2.3.1 Edge-Sensitive Triggers

When DMALEVEL = 0, edge-sensitive triggers are used, and the rising edge of the trigger signal initiates the transfer. In single-transfer mode, each transfer requires its own trigger. When using block or burst-block modes, only one trigger is required to initiate the block or burst-block transfer.

7.2.3.2 Level-Sensitive Triggers

When DMALEVEL = 1, level-sensitive triggers are used. For proper operation, level-sensitive triggers can only be used when external trigger DMAE0 is selected as the trigger. DMA transfers are triggered as long as the trigger signal is high and the DMAEN bit remains set.

The trigger signal must remain high for a block or burst-block transfer to complete. If the trigger signal goes low during a block or burst-block transfer, the DMA controller is held in its current state until the trigger goes back high or until the DMA registers are modified by software. If the DMA registers are not modified by software, when the trigger signal goes high again, the transfer resumes from where it was when the trigger signal went low.

When DMALEVEL = 1, transfer modes selected when DMADT = {0, 1, 2, 3} are recommended because the DMAEN bit is automatically reset after the configured transfer.

7.2.4 Halting Executing Instructions for DMA Transfers

The DMARMWDIS bit controls when the CPU is halted for DMA transfers. When DMARMWDIS = 0, the CPU is halted immediately and the transfer begins when a trigger is received. In this case, it is possible that CPU read-modify-write operations can be interrupted by a DMA transfer. When DMARMWDIS = 1, the CPU finishes the currently executing read-modify-write operation before the DMA controller halts the CPU and the transfer begins (see [Table 7-2](#)).

Table 7-2. DMA Trigger Operation

Module	Operation
DMA	A transfer is triggered when the DMAREQ bit is set. The DMAREQ bit is automatically reset when the transfer starts. A transfer is triggered when the DMAxIFG flag is set. DMA0IFG triggers channel 1, DMA1IFG triggers channel 2, and DMA2IFG triggers channel 0. None of the DMAxIFG flags are automatically reset when the transfer starts. A transfer is triggered by the external trigger DMAE0.
Timer_A	A transfer is triggered when the TAxCCR0 CCIFG flag is set. The TAxCCR0 CCIFG flag is automatically reset when the transfer starts. If the TAxCCR0 CCIE bit is set, the TAxCCR0 CCIFG flag does not trigger a transfer. A transfer is triggered when the TAxCCR2 CCIFG flag is set. The TAxCCR2 CCIFG flag is automatically reset when the transfer starts. If the TAxCCR2 CCIE bit is set, the TAxCCR2 CCIFG flag does not trigger a transfer.
Timer_B	A transfer is triggered when the TBxCCR0 CCIFG flag is set. The TBxCCR0 CCIFG flag is automatically reset when the transfer starts. If the TBxCCR0 CCIE bit is set, the TBxCCR0 CCIFG flag does not trigger a transfer. A transfer is triggered when the TBxCCR2 CCIFG flag is set. The TBxCCR2 CCIFG flag is automatically reset when the transfer starts. If the TBxCCR2 CCIE bit is set, the TBxCCR2 CCIFG flag does not trigger a transfer.
USCI_Ax	A transfer is triggered when USCI_Ax receives new data. UCAXRXIFG is automatically reset when the transfer starts. If UCAXRXIE is set, the UCAXRXIFG does not trigger a transfer. A transfer is triggered when USCI_Ax is ready to transmit new data. UCAXTXIFG is automatically reset when the transfer starts. If UCAXTXIE is set, the UCAXTXIFG does not trigger a transfer.
USCI_Bx	A transfer is triggered when USCI_Bx receives new data. UCBxRXIFG is automatically reset when the transfer starts. If UCBxRXIE is set, the UCBxRXIFG does not trigger a transfer. A transfer is triggered when USCI_Bx is ready to transmit new data. UCBxTXIFG is automatically reset when the transfer starts. If UCBxTXIE is set, the UCBxTXIFG does not trigger a transfer.
DAC12_A	A transfer is triggered when the DAC12_xCTL0 DAC12IFG flag is set. The DAC12_xCTL0 DAC12IFG flag is automatically cleared when the transfer starts. If the DAC12_xCTL0 DAC12IE bit is set, the DAC12_xCTL0 DAC12IFG flag does not trigger a transfer.
ADC12_A	A transfer is triggered by an ADC12IFG flag. When single-channel conversions are performed, the corresponding ADC12IFG is the trigger. When sequences are used, the ADC12IFG for the last conversion in the sequence is the trigger. A transfer is triggered when the conversion is completed and the ADC12IFG is set. Setting the ADC12IFG with software does not trigger a transfer. All ADC12IFG flags are automatically reset when the associated ADC12MEMx register is accessed by the DMA controller.
MPY	A transfer is triggered when the hardware multiplier is ready for a new operand.
Reserved	No transfer is triggered.

7.2.5 Stopping DMA Transfers

There are two ways to stop DMA transfers in progress:

- A single, block, or burst-block transfer may be stopped with an NMI, if the ENNMI bit is set in register DMACTL1.
- A burst-block transfer may be stopped by clearing the DMAEN bit.

7.2.6 DMA Channel Priorities

The default DMA channel priorities are DMA0 through DMA7. If two or three triggers happen simultaneously or are pending, the channel with the highest priority completes its transfer (single, block, or burst-block transfer) first, then the second priority channel, then the third priority channel. Transfers in progress are not halted if a higher-priority channel is triggered. The higher-priority channel waits until the transfer in progress completes before starting.

The DMA channel priorities are configurable with the ROUNDROBIN bit. When the ROUNDROBIN bit is set, the channel that completes a transfer becomes the lowest priority. The *order* of the priority of the channels always stays the same, DMA0-DMA1-DMA2, for example, for three channels. When the ROUNDROBIN bit is cleared, the channel priority returns to the default priority.

DMA Priority	Transfer Occurs	New DMA Priority
DMA0-DMA1-DMA2	DMA1	DMA2-DMA0-DMA1
DMA2-DMA0-DMA1	DMA2	DMA0-DMA1-DMA2
DMA0-DMA1-DMA2	DMA0	DMA1-DMA2-DMA0

7.2.7 DMA Transfer Cycle Time

The DMA controller requires one or two MCLK clock cycles to synchronize before each single transfer or complete block or burst-block transfer. Each byte/word transfer requires two MCLK cycles after synchronization, and one cycle of wait time after the transfer. Because the DMA controller uses MCLK, the DMA cycle time is dependent on the MSP430 operating mode and clock system setup.

If the MCLK source is active but the CPU is off, the DMA controller uses the MCLK source for each transfer, without reenabling the CPU. If the MCLK source is off, the DMA controller temporarily restarts MCLK, sourced with DCOCLK, for the single transfer or complete block or burst-block transfer. The CPU remains off and after the transfer completes, MCLK is turned off. The maximum DMA cycle time for all operating modes is shown in [Table 7-3](#).

Table 7-3. Maximum Single-Transfer DMA Cycle Time

CPU Operating Mode Clock Source	Maximum DMA Cycle Time
Active mode MCLK = DCOCLK	4 MCLK cycles
Active mode MCLK = LFXT1CLK	4 MCLK cycles
Low-power mode LPM0/1 MCLK = DCOCLK	5 MCLK cycles
Low-power mode LPM3/4 MCLK = DCOCLK	5 MCLK cycles + 5 μ s ⁽¹⁾
Low-power mode LPM0/1 MCLK = LFXT1CLK	5 MCLK cycles
Low-power mode LPM3 MCLK = LFXT1CLK	5 MCLK cycles
Low-power mode LPM4 MCLK = LFXT1CLK	5 MCLK cycles + 5 μ s ⁽¹⁾

⁽¹⁾ The additional 5 μ s are needed to start the DCOCLK. It is the $t_{(LPMx)}$ parameter in the data sheet.

7.2.8 Using DMA With System Interrupts

DMA transfers are not interruptible by system interrupts. System interrupts remain pending until the completion of the transfer. NMIs can interrupt the DMA controller if the ENNMI bit is set.

System interrupt service routines are interrupted by DMA transfers. If an interrupt service routine or other routine must execute with no interruptions, the DMA controller should be disabled prior to executing the routine.

7.2.9 DMA Controller Interrupts

Each DMA channel has its own DMAIFG flag. Each DMAIFG flag is set in any mode when the corresponding DMAxSZ register counts to zero. If the corresponding DMAIE and GIE bits are set, an interrupt request is generated.

All DMAIFG flags are prioritized, with DMA0IFG being the highest, and combined to source a single interrupt vector. The highest-priority enabled interrupt generates a number in the DMAIV register. This number can be evaluated or added to the program counter (PC) to automatically enter the appropriate software routine. Disabled DMA interrupts do not affect the DMAIV value.

Any access, read or write, of the DMAIV register automatically resets the highest pending interrupt flag. If another interrupt flag is set, another interrupt is immediately generated after servicing the initial interrupt. For example, assume that DMA0 has the highest priority. If the DMA0IFG and DMA2IFG flags are set when the interrupt service routine accesses the DMAIV register, DMA0IFG is reset automatically. After the RETI instruction of the interrupt service routine is executed, the DMA2IFG generates another interrupt.

7.2.9.1 DMAIV Software Example

The following software example shows the recommended use of DMAIV and the handling overhead for an eight channel DMA controller. The DMAIV value is added to the PC to automatically jump to the appropriate routine.

The numbers at the right margin show the necessary CPU cycles for each instruction. The software overhead for different interrupt sources includes interrupt latency and return-from-interrupt cycles, but not the task handling itself.

```

;Interrupt handler for DMAxIFG                                Cycles

DMA_HND      ...      ; Interrupt latency                    6
      ADD      &DMAIV,PC ; Add offset to Jump table          3
      RETI     ; Vector 0: No interrupt                    5
      JMP      DMA0_HND ; Vector 2: DMA channel 0           2
      JMP      DMA1_HND ; Vector 4: DMA channel 1           2
      JMP      DMA2_HND ; Vector 6: DMA channel 2           2
      JMP      DMA3_HND ; Vector 8: DMA channel 3           2
      JMP      DMA4_HND ; Vector 10: DMA channel 4          2
      JMP      DMA5_HND ; Vector 12: DMA channel 5          2
      JMP      DMA6_HND ; Vector 14: DMA channel 6          2
      JMP      DMA7_HND ; Vector 16: DMA channel 7          2

DMA7_HND     ; Vector 16: DMA channel 7
      ...     ; Task starts here
      RETI     ; Back to main program                    5

DMA6_HND     ; Vector 14: DMA channel 6
      ...     ; Task starts here
      RETI     ; Back to main program                    5

DMA5_HND     ; Vector 12: DMA channel 5
      ...     ; Task starts here
      RETI     ; Back to main program                    5

DMA4_HND     ; Vector 10: DMA channel 4
      ...     ; Task starts here
      RETI     ; Back to main program                    5

DMA3_HND     ; Vector 8: DMA channel 3
      ...     ; Task starts here
      RETI     ; Back to main program                    5

DMA2_HND     ; Vector 6: DMA channel 2
      ...     ; Task starts here
      RETI     ; Back to main program                    5

DMA1_HND     ; Vector 4: DMA channel 1
      ...     ; Task starts here
      RETI     ; Back to main program                    5

DMA0_HND     ; Vector 2: DMA channel 0
      ...     ; Task starts here
      RETI     ; Back to main program                    5

```


7.2.10 Using the USCI_B I²C Module With the DMA Controller

The USCI_B I²C module provides two trigger sources for the DMA controller. The USCI_B I²C module can trigger a transfer when new I²C data is received and the when the transmit data is needed.

7.2.11 Using ADC12 With the DMA Controller

MSP430 devices with an integrated DMA controller can automatically move data from any ADC12MEMx register to another location. DMA transfers are done without CPU intervention and independently of any low-power modes. The DMA controller increases throughput of the ADC12 module, and enhances low-power applications allowing the CPU to remain off while data transfers occur.

DMA transfers can be triggered from any ADC12IFG flag. When CONSEQx = {0,2}, the ADC12IFG flag for the ADC12MEMx used for the conversion can trigger a DMA transfer. When CONSEQx = {1,3}, the ADC12IFG flag for the last ADC12MEMx in the sequence can trigger a DMA transfer. Any ADC12IFG flag is automatically cleared when the DMA controller accesses the corresponding ADC12MEMx.

7.2.12 Using DAC12 With the DMA Controller

MSP430 devices with an integrated DMA controller can automatically move data to the DAC12_xDAT register. DMA transfers are done without CPU intervention and independently of any low-power modes. The DMA controller increases throughput to the DAC12 module, and enhances low-power applications allowing the CPU to remain off while data transfers occur.

Applications requiring periodic waveform generation can benefit from using the DMA controller with the DAC12. For example, an application that produces a sinusoidal waveform may store the sinusoid values in a table. The DMA controller can continuously and automatically transfer the values to the DAC12 at specific intervals creating the sinusoid with zero CPU execution. The DAC12_xCTL DAC12IFG flag is automatically cleared when the DMA controller accesses the DAC12_xDAT register.

7.3 DMA Registers

The DMA module registers are listed in [Table 7-4](#). The base addresses can be found in the device-specific data sheet. Each channel starts at its respective base address. The address offsets are listed in [Table 7-4](#).

Table 7-4. DMA Registers

Offset	Acronym	Register Name	Type	Access	Reset	Section
00h	DMACTL0	DMA Control 0	Read/write	Word	0000h	Section 7.3.1
02h	DMACTL1	DMA Control 1	Read/write	Word	0000h	Section 7.3.2
04h	DMACTL2	DMA Control 2	Read/write	Word	0000h	Section 7.3.3
06h	DMACTL3	DMA Control 3	Read/write	Word	0000h	Section 7.3.4
08h	DMACTL4	DMA Control 4	Read/write	Word	0000h	Section 7.3.5
0Eh	DMAIV	DMA Interrupt Vector	Read only	Word	0000h	Section 7.3.10
00h	DMA0CTL	DMA Channel 0 Control	Read/write	Word	0000h	Section 7.3.6
02h	DMA0SA	DMA Channel 0 Source Address	Read/write	Word, double word	undefined	Section 7.3.7
06h	DMA0DA	DMA Channel 0 Destination Address	Read/write	Word, double word	undefined	Section 7.3.8
0Ah	DMA0SZ	DMA Channel 0 Transfer Size	Read/write	Word	undefined	Section 7.3.9
00h	DMA1CTL	DMA Channel 1 Control	Read/write	Word	0000h	Section 7.3.6
02h	DMA1SA	DMA Channel 1 Source Address	Read/write	Word, double word	undefined	Section 7.3.7
06h	DMA1DA	DMA Channel 1 Destination Address	Read/write	Word, double word	undefined	Section 7.3.8
0Ah	DMA1SZ	DMA Channel 1 Transfer Size	Read/write	Word	undefined	Section 7.3.9
00h	DMA2CTL	DMA Channel 2 Control	Read/write	Word	0000h	Section 7.3.6
02h	DMA2SA	DMA Channel 2 Source Address	Read/write	Word, double word	undefined	Section 7.3.7
06h	DMA2DA	DMA Channel 2 Destination Address	Read/write	Word, double word	undefined	Section 7.3.8
0Ah	DMA2SZ	DMA Channel 2 Transfer Size	Read/write	Word	undefined	Section 7.3.9
00h	DMA3CTL	DMA Channel 3 Control	Read/write	Word	0000h	Section 7.3.6
02h	DMA3SA	DMA Channel 3 Source Address	Read/write	Word, double word	undefined	Section 7.3.7
06h	DMA3DA	DMA Channel 3 Destination Address	Read/write	Word, double word	undefined	Section 7.3.8
0Ah	DMA3SZ	DMA Channel 3 Transfer Size	Read/write	Word	undefined	Section 7.3.9
00h	DMA4CTL	DMA Channel 4 Control	Read/write	Word	0000h	Section 7.3.6
02h	DMA4SA	DMA Channel 4 Source Address	Read/write	Word, double word	undefined	Section 7.3.7
06h	DMA4DA	DMA Channel 4 Destination Address	Read/write	Word, double word	undefined	Section 7.3.8
0Ah	DMA4SZ	DMA Channel 4 Transfer Size	Read/write	Word	undefined	Section 7.3.9
00h	DMA5CTL	DMA Channel 5 Control	Read/write	Word	0000h	Section 7.3.6
02h	DMA5SA	DMA Channel 5 Source Address	Read/write	Word, double word	undefined	Section 7.3.7
06h	DMA5DA	DMA Channel 5 Destination Address	Read/write	Word, double word	undefined	Section 7.3.8
0Ah	DMA5SZ	DMA Channel 5 Transfer Size	Read/write	Word	undefined	Section 7.3.9
00h	DMA6CTL	DMA Channel 6 Control	Read/write	Word	0000h	Section 7.3.6
02h	DMA6SA	DMA Channel 6 Source Address	Read/write	Word, double word	undefined	Section 7.3.7
06h	DMA6DA	DMA Channel 6 Destination Address	Read/write	Word, double word	undefined	Section 7.3.8
0Ah	DMA6SZ	DMA Channel 6 Transfer Size	Read/write	Word	undefined	Section 7.3.9

Table 7-4. DMA Registers (continued)

Offset	Acronym	Register Name	Type	Access	Reset	Section
00h	DMA7CTL	DMA Channel 7 Control	Read/write	Word	0000h	Section 7.3.6
02h	DMA7SA	DMA Channel 7 Source Address	Read/write	Word, double word	undefined	Section 7.3.7
06h	DMA7DA	DMA Channel 7 Destination Address	Read/write	Word, double word	undefined	Section 7.3.8
0Ah	DMA7SZ	DMA Channel 7 Transfer Size	Read/write	Word	undefined	Section 7.3.9

7.3.1 DMACTL0 Register

DMA Control 0 Register

Figure 7-6. DMACTL0 Register

15	14	13	12	11	10	9	8
Reserved			DMA3TSEL				
r0	r0	r0	rw-(0)	rw-(0)	rw-(0)	rw-(0)	rw-(0)
7	6	5	4	3	2	1	0
Reserved			DMA2TSEL				
r0	r0	r0	rw-(0)	rw-(0)	rw-(0)	rw-(0)	rw-(0)

Table 7-5. DMACTL0 Register Description

Bit	Field	Type	Reset	Description
15-13	Reserved	R	0h	Reserved. Always reads as 0.
12-8	DMA1TSEL	RW	0h	DMA 1 trigger select. These bits select the DMA transfer trigger. See the device-specific data sheet for number of channels and trigger assignment. 00000b = DMA1TRIG0 00001b = DMA1TRIG1 00010b = DMA1TRIG2 ⋮ 11110b = DMA1TRIG30 11111b = DMA1TRIG31
7-5	Reserved	R	0h	Reserved. Always reads as 0.
4-0	DMA0TSEL	RW	0h	DMA 0 trigger select. These bits select the DMA transfer trigger. See the device-specific data sheet for number of channels and trigger assignment. 00000b = DMA0TRIG0 00001b = DMA0TRIG1 00010b = DMA0TRIG2 ⋮ 11110b = DMA0TRIG30 11111b = DMA0TRIG31

7.3.2 DMACTL1 Register

DMA Control 1 Register

Figure 7-7. DMACTL1 Register

15	14	13	12	11	10	9	8
Reserved			DMA3TSEL				
r0	r0	r0	rw-(0)	rw-(0)	rw-(0)	rw-(0)	rw-(0)
7	6	5	4	3	2	1	0
Reserved			DMA2TSEL				
r0	r0	r0	rw-(0)	rw-(0)	rw-(0)	rw-(0)	rw-(0)

Table 7-6. DMACTL1 Register Description

Bit	Field	Type	Reset	Description
15-13	Reserved	R	0h	Reserved. Always reads as 0.
12-8	DMA3TSEL	RW	0h	DMA 3 trigger select. These bits select the DMA transfer trigger. See the device-specific data sheet for number of channels and trigger assignment. 00000b = DMA3TRIG0 00001b = DMA3TRIG1 00010b = DMA3TRIG2 ⋮ 11110b = DMA3TRIG30 11111b = DMA3TRIG31
7-5	Reserved	R	0h	Reserved. Always reads as 0.
4-0	DMA2TSEL	RW	0h	DMA 2 trigger select. These bits select the DMA transfer trigger. See the device-specific data sheet for number of channels and trigger assignment. 00000b = DMA2TRIG0 00001b = DMA2TRIG1 00010b = DMA2TRIG2 ⋮ 11110b = DMA2TRIG30 11111b = DMA2TRIG31

7.3.3 DMACTL2 Register

DMA Control 2 Register

Figure 7-8. DMACTL2 Register

15	14	13	12	11	10	9	8
Reserved			DMA5TSEL				
r0	r0	r0	rw-(0)	rw-(0)	rw-(0)	rw-(0)	rw-(0)
7	6	5	4	3	2	1	0
Reserved			DMA4TSEL				
r0	r0	r0	rw-(0)	rw-(0)	rw-(0)	rw-(0)	rw-(0)

Table 7-7. DMACTL2 Register Description

Bit	Field	Type	Reset	Description
15-13	Reserved	R	0h	Reserved. Always reads as 0.
12-8	DMA5TSEL	RW	0h	DMA 5 trigger select. These bits select the DMA transfer trigger. See the device-specific data sheet for number of channels and trigger assignment. 00000b = DMA5TRIG0 00001b = DMA5TRIG1 00010b = DMA5TRIG2 ⋮ 11110b = DMA5TRIG30 11111b = DMA5TRIG31
7-5	Reserved	R	0h	Reserved. Always reads as 0.
4-0	DMA4TSEL	RW	0h	DMA 4 trigger select. These bits select the DMA transfer trigger. See the device-specific data sheet for number of channels and trigger assignment. 00000b = DMA4TRIG0 00001b = DMA4TRIG1 00010b = DMA4TRIG2 ⋮ 11110b = DMA4TRIG30 11111b = DMA4TRIG31

7.3.4 DMACTL3 Register

DMA Control 3 Register

Figure 7-9. DMACTL3 Register

15	14	13	12	11	10	9	8
Reserved			DMA7TSEL				
r0	r0	r0	rw-(0)	rw-(0)	rw-(0)	rw-(0)	rw-(0)
7	6	5	4	3	2	1	0
Reserved			DMA6TSEL				
r0	r0	r0	rw-(0)	rw-(0)	rw-(0)	rw-(0)	rw-(0)

Table 7-8. DMACTL3 Register Description

Bit	Field	Type	Reset	Description
15-13	Reserved	R	0h	Reserved. Always reads as 0.
12-8	DMA7TSEL	RW	0h	DMA 7 trigger select. These bits select the DMA transfer trigger. See the device-specific data sheet for number of channels and trigger assignment. 00000b = DMA7TRIG0 00001b = DMA7TRIG1 00010b = DMA7TRIG2 ⋮ 11110b = DMA7TRIG30 11111b = DMA7TRIG31
7-5	Reserved	R	0h	Reserved. Always reads as 0.
4-0	DMA6TSEL	RW	0h	DMA 6 trigger select. These bits select the DMA transfer trigger. See the device-specific data sheet for number of channels and trigger assignment. 00000b = DMA6TRIG0 00001b = DMA6TRIG1 00010b = DMA6TRIG2 ⋮ 11110b = DMA6TRIG30 11111b = DMA6TRIG31

7.3.5 DMACTL4 Register

DMA Control 4 Register

Figure 7-10. DMACTL4 Register

15	14	13	12	11	10	9	8
Reserved							
r0	r0	r0	r0	r0	r0	r0	r0
7	6	5	4	3	2	1	0
Reserved					DMARMWDIS	ROUNDROBIN	ENNMI
r0	r0	r0	r0	r0	rw-(0)	rw-(0)	rw-(0)

Table 7-9. DMACTL4 Register Description

Bit	Field	Type	Reset	Description
15-3	Reserved	R	0h	Reserved. Always reads as 0.
2	DMARMWDIS	RW	0h	Read-modify-write disable. When set, this bit inhibits any DMA transfers from occurring during CPU read-modify-write operations. 0b = DMA transfers can occur during read-modify-write CPU operations. 1b = DMA transfers inhibited during read-modify-write CPU operations
1	ROUNDROBIN	RW	0h	Round robin. This bit enables the round-robin DMA channel priorities. 0b = DMA channel priority is DMA0-DMA1-DMA2 - -DMA7. 1b = DMA channel priority changes with each transfer.
0	ENNMI	RW	0h	Enable NMI. This bit enables the interruption of a DMA transfer by an NMI. When an NMI interrupts a DMA transfer, the current transfer is completed normally, further transfers are stopped and DMAABORT is set. 0b = NMI does not interrupt DMA transfer. 1b = NMI interrupts a DMA transfer.

7.3.6 DMAxCTL Register

DMA Channel x Control Register

Figure 7-11. DMAxCTL Register

15	14	13	12	11	10	9	8
Reserved	DMADT			DMADSTINCR		DMASRCINCR	
r0	rw-(0)	rw-(0)	rw-(0)	rw-(0)	rw-(0)	rw-(0)	rw-(0)
7	6	5	4	3	2	1	0
DMADSTBYTE	DMASRCBYTE	DMALEVEL	DMAEN	DMAIFG	DMAIE	DMAABORT	DMAREQ
rw-(0)	rw-(0)	rw-(0)	rw-(0)	rw-(0)	rw-(0)	rw-(0)	rw-(0)

Table 7-10. DMAxCTL Register Description

Bit	Field	Type	Reset	Description
15	Reserved	R	0h	Reserved. Always reads as 0.
14-12	DMADT	RW	0h	DMA transfer mode 000b = Single transfer 001b = Block transfer 010b = Burst-block transfer 011b = Burst-block transfer 100b = Repeated single transfer 101b = Repeated block transfer 110b = Repeated burst-block transfer 111b = Repeated burst-block transfer
11-10	DMADSTINCR	RW	0h	DMA destination increment. This bit selects automatic incrementing or decrementing of the destination address after each byte or word transfer. When DMADSTBYTE = 1, the destination address increments/decrements by one. When DMADSTBYTE = 0, the destination address increments/decrements by two. The DMAxDA is copied into a temporary register and the temporary register is incremented or decremented. DMAxDA is not incremented or decremented. 00b = Destination address is unchanged. 01b = Destination address is unchanged. 10b = Destination address is decremented. 11b = Destination address is incremented.
9-8	DMASRCINCR	RW	0h	DMA source increment. This bit selects automatic incrementing or decrementing of the source address for each byte or word transfer. When DMASRCBYTE = 1, the source address increments/decrements by one. When DMASRCBYTE = 0, the source address increments/decrements by two. The DMAxSA is copied into a temporary register and the temporary register is incremented or decremented. DMAxSA is not incremented or decremented. 00b = Source address is unchanged. 01b = Source address is unchanged. 10b = Source address is decremented. 11b = Source address is incremented.
7	DMADSTBYTE	RW	0h	DMA destination byte. This bit selects the destination as a byte or word. 0b = Word 1b = Byte
6	DMASRCBYTE	RW	0h	DMA source byte. This bit selects the source as a byte or word. 0b = Word 1b = Byte
5	DMALEVEL	RW	0h	DMA level. This bit selects between edge-sensitive and level-sensitive triggers. 0b = Edge sensitive (rising edge) 1b = Level sensitive (high level)

Table 7-10. DMAxCTL Register Description (continued)

Bit	Field	Type	Reset	Description
4	DMAEN	RW	0h	DMA enable 0b = Disabled 1b = Enabled
3	DMAIFG	RW	0h	DMA interrupt flag 0b = No interrupt pending 1b = Interrupt pending
2	DMAIE	RW	0h	DMA interrupt enable 0b = Disabled 1b = Enabled
1	DMAABORT	RW	0h	DMA abort. This bit indicates if a DMA transfer was interrupted by an NMI. 0b = DMA transfer not interrupted 1b = DMA transfer interrupted by NMI
0	DMAREQ	RW	0h	DMA request. Software-controlled DMA start. DMAREQ is reset automatically. 0b = No DMA start 1b = Start DMA

7.3.7 DMAxSA Register

DMA Channel x Source Address Register

Figure 7-12. DMAxSA Register

31	30	29	28	27	26	25	24
Reserved							
r0	r0	r0	r0	r0	r0	r0	r0
23	22	21	20	19	18	17	16
Reserved				DMAxSA			
r0	r0	r0	r0	rw	rw	rw	rw
15	14	13	12	11	10	9	8
DMAxSA							
rw	rw	rw	rw	rw	rw	rw	rw
7	6	5	4	3	2	1	0
DMAxSA							
rw	rw	rw	rw	rw	rw	rw	rw

Table 7-11. DMAxSA Register Description

Bit	Field	Type	Reset	Description
31-20	Reserved	R	0h	Reserved. Always reads as 0.
19-0	DMAxSA	RW	undefined	DMA source address. The source address register points to the DMA source address for single transfers or the first source address for block transfers. The source address register remains unchanged during block and burst-block transfers. There are two words for the DMAxSA register. Bits 31-20 are reserved and always read as zero. Reading or writing bits 19-16 requires the use of extended instructions. When writing to DMAxSA with word instructions, bits 19-16 are cleared.

7.3.8 DMAxDA Register

DMA Channel x Destination Address Register

Figure 7-13. DMAxDA Register

31	30	29	28	27	26	25	24
Reserved							
r0	r0	r0	r0	r0	r0	r0	r0
23	22	21	20	19	18	17	16
Reserved				DMAxDA			
r0	r0	r0	r0	rw	rw	rw	rw
15	14	13	12	11	10	9	8
DMAxDA							
rw	rw	rw	rw	rw	rw	rw	rw
7	6	5	4	3	2	1	0
DMAxDA							
rw	rw	rw	rw	rw	rw	rw	rw

Table 7-12. DMAxDA Register Description

Bit	Field	Type	Reset	Description
31-20	Reserved	R	0h	Reserved. Always reads as 0.
19-0	DMAxDA	RW	undefined	DMA destination address. The destination address register points to the DMA destination address for single transfers or the first destination address for block transfers. The destination address register remains unchanged during block and burst-block transfers. There are two words for the DMAxDA register. Bits 31-20 are reserved and always read as zero. Reading or writing bits 19-16 requires the use of extended instructions. When writing to DMAxDA with word instructions, bits 19-16 are cleared.

7.3.9 DMAxSZ Register

DMA Channel x Size Address Register

Figure 7-14. DMAxSZ Register

15	14	13	12	11	10	9	8
DMAxSZ							
rw	rw	rw	rw	rw	rw	rw	rw
7	6	5	4	3	2	1	0
DMAxSZ							
rw	rw	rw	rw	rw	rw	rw	rw

Table 7-13. DMAxSZ Register Description

Bit	Field	Type	Reset	Description
15-0	DMAxSZ	RW	undefined	DMA size. The DMA size register defines the number of byte/word data per block transfer. DMAxSZ register decrements with each word or byte transfer. When DMAxSZ decrements to 0, it is immediately and automatically reloaded with its previously initialized value. 00000h = Transfer is disabled. 00001h = One byte or word is transferred. 00002h = Two bytes or words are transferred. ⋮ 0FFFFh = 65535 bytes or words are transferred.

7.3.10 DMAIV Register

DMA Interrupt Vector Register

Figure 7-15. DMAIV Register

15	14	13	12	11	10	9	8
DMAIV							
r0	r0	r0	r0	r0	r0	r0	r0
7	6	5	4	3	2	1	0
DMAIV							
r0	r0	r-(0)	r-(0)	r-(0)	r-(0)	r-(0)	r0

Table 7-14. DMAIV Register Description

Bit	Field	Type	Reset	Description
15-0	DMAIV	R	0h	DMA interrupt vector value 00h = No interrupt pending 02h = Interrupt Source: DMA channel 0; Interrupt Flag: DMA0IFG; Interrupt Priority: Highest 04h = Interrupt Source: DMA channel 1; Interrupt Flag: DMA1IFG 06h = Interrupt Source: DMA channel 2; Interrupt Flag: DMA2IFG 08h = Interrupt Source: DMA channel 3; Interrupt Flag: DMA3IFG 0Ah = Interrupt Source: DMA channel 4; Interrupt Flag: DMA4IFG 0Ch = Interrupt Source: DMA channel 5; Interrupt Flag: DMA5IFG 0Eh = Interrupt Source: DMA channel 6; Interrupt Flag: DMA6IFG 10h = Interrupt Source: DMA channel 7; Interrupt Flag: DMA7IFG; Interrupt Priority: Lowest



Digital I/O Module

This chapter describes the operation of the digital I/O ports in all devices.

Topic	Page
8.1 Digital I/O Introduction	344
8.2 Digital I/O Operation	345
8.3 I/O Configuration and LPMx.5 Low-Power Modes	348
8.4 Digital I/O Registers	350

8.1 Digital I/O Introduction

The digital I/O features include:

- Independently programmable individual I/Os
- Any combination of input or output
- Individually configurable P1 and P2 interrupts. Some devices may include additional port interrupts.
- Independent input and output data registers
- Individually configurable pullup or pulldown resistors

Devices within the family may have up to twelve digital I/O ports implemented (P1 to P11 and PJ). Most ports contain eight I/O lines; however, some ports may contain less (see the device-specific data sheet for ports available). Each I/O line is individually configurable for input or output direction, and each can be individually read or written. Each I/O line is individually configurable for pullup or pulldown resistors, as well as, configurable drive strength, full or reduced. PJ contains only four I/O lines.

Ports P1 and P2 always have interrupt capability. Each interrupt for the P1 and P2 I/O lines can be individually enabled and configured to provide an interrupt on a rising or falling edge of an input signal. All P1 I/O lines source a single interrupt vector P1IV, and all P2 I/O lines source a different, single interrupt vector P2IV. On some devices, additional ports with interrupt capability may be available (see the device-specific data sheet for details) and contain their own respective interrupt vectors.

Individual ports can be accessed as byte-wide ports or can be combined into word-wide ports and accessed via word formats. Port pairs P1 and P2, P3 and P4, P5 and P6, and so on, are associated with the names PA, PB, PC, and so on, respectively. All port registers are handled in this manner with this naming convention except for the interrupt vector registers; for example, PAIV does not exist for P1IV and P2IV.

When writing to port PA with word operations, all 16 bits are written to the port. When writing to the lower byte of the PA port using byte operations, the upper byte remains unchanged. Similarly, writing to the upper byte of the PA port using byte instructions leaves the lower byte unchanged. When writing to a port that contains less than the maximum number of bits possible, the unused bits are a "don't care". Ports PB, PC, PD, PE, and PF behave similarly.

Reading of the PA port using word operations causes all 16 bits to be transferred to the destination. Reading the lower or upper byte of the PA port (P1 or P2) and storing to memory using byte operations causes only the lower or upper byte to be transferred to the destination, respectively. Reading of the PA port and storing to a general-purpose register using byte operations causes the byte transferred to be written to the least significant byte of the register. The upper significant byte of the destination register is cleared automatically. Ports PB, PC, PD, PE, and PF behave similarly. When reading from ports that contain less than the maximum bits possible, unused bits are read as zeros (similarly for port PJ).

8.2 Digital I/O Operation

The digital I/O are configured with user software. The setup and operation of the digital I/O are discussed in the following sections.

8.2.1 Input Registers (PxIN)

Each bit in each PxIN register reflects the value of the input signal at the corresponding I/O pin when the pin is configured as I/O function. These registers are read only.

- Bit = 0: Input is low
- Bit = 1: Input is high

NOTE: Writing to read-only registers PxIN

Writing to these read-only registers results in increased current consumption while the write attempt is active.

8.2.2 Output Registers (PxOUT)

Each bit in each PxOUT register is the value to be output on the corresponding I/O pin when the pin is configured as I/O function, output direction.

- Bit = 0: Output is low
- Bit = 1: Output is high

If the pin is configured as I/O function, input direction and the pullup/pulldown resistor are enabled; the corresponding bit in the PxOUT register selects pullup or pulldown.

- Bit = 0: Pin is pulled down
- Bit = 1: Pin is pulled up

8.2.3 Direction Registers (PxDIR)

Each bit in each PxDIR register selects the direction of the corresponding I/O pin, regardless of the selected function for the pin. PxDIR bits for I/O pins that are selected for other functions must be set as required by the other function.

- Bit = 0: Port pin is switched to input direction
- Bit = 1: Port pin is switched to output direction

8.2.4 Pullup or Pulldown Resistor Enable Registers (PxREN)

Each bit in each PxREN register enables or disables the pullup/pulldown resistor of the corresponding I/O pin. The corresponding bit in the PxOUT register selects if the pin contains a pullup or pulldown.

- Bit = 0: Pullup/pulldown resistor disabled
- Bit = 1: Pullup/pulldown resistor enabled

[Table 8-1](#) summarizes the usage of PxDIR, PxREN, and PxOUT for proper I/O configuration.

Table 8-1. I/O Configuration

PxDIR	PxREN	PxOUT	I/O Configuration
0	0	x	Input
0	1	0	Input with pulldown resistor
0	1	1	Input with pullup resistor
1	x	x	Output

8.2.5 Output Drive Strength Registers (PxDS)

Each bit in each PxDS register selects either full drive or reduced drive strength. Default is reduced drive strength.

- Bit = 0: Reduced drive strength
- Bit = 1: Full drive strength

NOTE: Drive strength and EMI

All outputs default to reduced drive strength to reduce EMI. Using full drive strength can result in increased EMI.

8.2.6 Function Select Registers (PxSEL)

Port pins are often multiplexed with other peripheral module functions. See the device-specific data sheet to determine pin functions. Each PxSEL bit is used to select the pin function – I/O port or peripheral module function.

- Bit = 0: I/O Function is selected for the pin
- Bit = 1: Peripheral module function is selected for the pin

Setting PxSEL = 1 does not automatically set the pin direction. Other peripheral module functions may require the PxDIR bits to be configured according to the direction needed for the module function. See the pin schematics in the device-specific data sheet.

NOTE: P1 and P2 interrupts are disabled when PxSEL = 1

When any PxSEL bit is set, the corresponding pin's interrupt function is disabled. Therefore, signals on these pins does not generate P1 or P2 interrupts, regardless of the state of the corresponding P1IE or P2IE bit.

When a port pin is selected as an input to a peripheral, the input signal to the peripheral is a latched representation of the signal at the device pin. While its corresponding PxSEL = 1, the internal input signal follows the signal at the pin. However, if its PxSEL = 0, the input to the peripheral maintains the value of the input signal at the device pin before its corresponding PxSEL bit was reset.

8.2.7 Port Interrupts

Each pin in ports P1 and P2 has interrupt capability, configured with the PxIFG, PxIE, and PxIES registers. On some devices, additional ports have interrupt capability (see the device-specific data sheet). All P1 interrupt flags are prioritized, with P1IFG.0 being the highest, and combined to source a single interrupt vector. The highest priority enabled interrupt generates a number in the P1IV register. This number can be evaluated or added to the program counter to automatically enter the appropriate software routine. Disabled P1 interrupts do not affect the P1IV value. The same functionality exists for P2. The PxIV registers are word access only. Some devices may contain additional port interrupts besides P1 and P2. See the device specific data sheet to determine which port interrupts are available.

Each PxIFG bit is the interrupt flag for its corresponding I/O pin and is set when the selected input signal edge occurs at the pin. All PxIFG interrupt flags request an interrupt when their corresponding PxIE bit and the GIE bit are set. Software can also set each PxIFG flag, providing a way to generate a software-initiated interrupt.

- Bit = 0: No interrupt is pending
- Bit = 1: An interrupt is pending

Only transitions, not static levels, cause interrupts. If any PxIFG flag becomes set during a Px interrupt service routine, or is set after the RETI instruction of a Px interrupt service routine is executed, the set PxIFG flag generates another interrupt. This ensures that each transition is acknowledged.

NOTE: PxIFG flags when changing PxOUT, PxDIR, or PxREN

Writing to P1OUT, P1DIR, P1REN, P2OUT, P2DIR, or P2REN can result in setting the corresponding P1IFG or P2IFG flags.

Any access (read or write) of the P1IV register automatically resets the highest pending interrupt flag. If another interrupt flag is set, another interrupt is immediately generated after servicing the initial interrupt. For example, assume that P1IFG.0 has the highest priority. If the P1IFG.0 and P1IFG.2 flags are set when the interrupt service routine accesses the P1IV register, P1IFG.0 is reset automatically. After the RETI instruction of the interrupt service routine is executed, the P1IFG.2 generates another interrupt.

Port P2 interrupts behave similarly, and source a separate single interrupt vector and utilize the P2IV register.

Port Interrupt Software Example

The following software example shows the recommended use of P1IV and the handling overhead. The P1IV value is added to the PC to automatically jump to the appropriate routine. The P2IV is similar.

The numbers at the right margin show the necessary CPU cycles for each instruction. The software overhead for different interrupt sources includes interrupt latency and return-from-interrupt cycles, but not the task handling itself.

```

;Interrupt handler for P1
P1_HND    ...                ; Interrupt latency                6
          ADD    &P1IV,PC    ; Add offset to Jump table    3
          RETI   ; Vector 0: No interrupt                5
          JMP    P1_0_HND    ; Vector 2: Port 1 bit 0        2
          JMP    P1_1_HND    ; Vector 4: Port 1 bit 1        2
          JMP    P1_2_HND    ; Vector 6: Port 1 bit 2        2
          JMP    P1_3_HND    ; Vector 8: Port 1 bit 3        2
          JMP    P1_4_HND    ; Vector 10: Port 1 bit 4       2
          JMP    P1_5_HND    ; Vector 12: Port 1 bit 5       2
          JMP    P1_6_HND    ; Vector 14: Port 1 bit 6       2
          JMP    P1_7_HND    ; Vector 16: Port 1 bit 7       2

P1_7_HND    ...                ; Vector 16: Port 1 bit 7
          RETI   ; Task starts here
          RETI   ; Back to main program                    5

P1_6_HND    ...                ; Vector 14: Port 1 bit 6
          RETI   ; Task starts here
          RETI   ; Back to main program                    5

P1_5_HND    ...                ; Vector 12: Port 1 bit 5
          RETI   ; Task starts here
          RETI   ; Back to main program                    5

P1_4_HND    ...                ; Vector 10: Port 1 bit 4
          RETI   ; Task starts here
          RETI   ; Back to main program                    5

P1_3_HND    ...                ; Vector 8: Port 1 bit 3
          RETI   ; Task starts here
          RETI   ; Back to main program                    5

P1_2_HND    ...                ; Vector 6: Port 1 bit 2
          RETI   ; Task starts here
          RETI   ; Back to main program                    5

P1_1_HND    ...                ; Vector 4: Port 1 bit 1
          RETI   ; Task starts here
          RETI   ; Back to main program                    5

P1_0_HND    ...                ; Vector 2: Port 1 bit 0
          RETI   ; Task starts here
          RETI   ; Back to main program                    5
    
```

Interrupt Edge Select Registers (PxIES)

Each PxIES bit selects the interrupt edge for the corresponding I/O pin.

- Bit = 0: Respective PxIFG flag is set with a low-to-high transition
- Bit = 1: Respective PxIFG flag is set with a high-to-low transition

NOTE: Writing to PxIES

Writing to P1IES or P2IES for each corresponding I/O can result in setting the corresponding interrupt flags.

PxIES	PxIN	PxIFG
0 → 1	0	May be set
0 → 1	1	Unchanged
1 → 0	0	Unchanged
1 → 0	1	May be set

Interrupt Enable Registers (PxIE)

Each PxIE bit enables the associated PxIFG interrupt flag.

- Bit = 0: The interrupt is disabled
- Bit = 1: The interrupt is enabled

8.2.8 Configuring Unused Port Pins

Unused I/O pins should be configured as I/O function, output direction, and left unconnected on the PC board, to prevent a floating input and reduce power consumption. The value of the PxOUT bit is don't care, because the pin is unconnected. Alternatively, the integrated pullup/pulldown resistor can be enabled by setting the PxREN bit of the unused pin to prevent the floating input. See the [SYS chapter](#) for termination of unused pins.

NOTE: Configuring port J and shared JTAG pins:

Application should ensure that port PJ is configured properly to prevent a floating input. Because port PJ is shared with the JTAG function, floating inputs may not be noticed when in an emulation environment. Port J is initialized to high-impedance inputs by default.

8.3 I/O Configuration and LPMx.5 Low-Power Modes

NOTE: The LPMx.5 low-power modes may not be available on all devices. The LPM4.5 power mode allows for lowest power consumption and no clocks are available. The LPM3.5 power mode allows for RTC mode operation at the lowest power consumption available. See the [SYS chapter](#) for details; also see the device-specific datasheet for LPMx.5 low-power modes that are available. With respect to the digital I/O, this section is applicable for both LPM3.5 and LPM4.5.

The regulator of the Power Management Module (PMM) is disabled upon entering LPMx.5 (LPM3.5 or LPM4.5), which causes all I/O register configurations to be lost. Because the I/O register configurations are lost, the configuration of I/O pins must be handled differently to ensure that all pins in the application behave in a controlled manner upon entering and exiting LPMx.5. Properly setting the I/O pins is critical to achieving the lowest possible power consumption in LPMx.5, as well as preventing any possible uncontrolled input or output I/O state in the application. The application has complete control of the I/O pin conditions preventing the possibility of unwanted spurious activity upon entry and exit from LPMx.5. The detailed flow for entering and exiting LPMx.5 with respect to the I/O operation is as follows:

1. Set all I/Os to general purpose I/Os and configure as needed. Each I/O can be set to input high impedance, input with pulldown, input with pullup, output high (low or high drive strength), or output low (low or high drive strength). It is critical that no inputs are left floating in the application, otherwise excess current may be drawn in LPMx.5. Configuring the I/O in this manner ensures that each pin is in a safe condition prior to entering LPMx.5.

Optionally, configure input interrupt pins for wake-up from LPMx.5. To wake the device from LPMx.5, a general-purpose I/O port must contain an input port with interrupt capability. Not all devices include wakeup from LPMx.5 via I/O, and not all inputs with interrupt capability offer wakeup from LPMx.5. See the device-specific data sheet for availability. To configure a port to wake up the device, it should be configured properly prior to entering LPMx.5. Each port should be configured as general-purpose input. Pulldowns or pullups can be applied if required. Setting the PxIES bit of the corresponding register determines the edge transition that wakes the device. Lastly, the PxIE for the port must be enabled, as well as the general interrupt enable.

NOTE: It is not possible to wakeup from a port interrupt if its respective port interrupt flag is already asserted. It is recommended that the flag be cleared prior to entering LPMx.5. It is also recommended that GIE = 1 be set prior to entry into LPMx.5. Any pending flags in this case could then be serviced prior to LPMx.5 entry.

2. Enter LPMx.5 with LPMx.5 entry sequence, enable general interrupts for wake-up:

```
MOV.B #PMPW_H, &PMMCTL0_H           ; Open PMM registers for write
BIS.B #PMMREGOFF, &PMMCTL0_L       ;
BIS #GIE+CPUOFF+OSCOFF+SCG1+SCG0,SR ; Enter LPMx.5 when PMMREGOFF is set
```

3. Upon entry into LPMx.5, LOCKLPM5 residing in PM5CTL0 of the PMM module is set automatically. The I/O pin states are held and locked based on the settings prior to LPMx.5 entry. Note that only the pin conditions are retained. All other port configuration register settings such as PxDIR, PxREN, PxOUT, PxDS, PxIES, and PxIE contents are lost.
4. An LPMx.5 wakeup event (for example, an edge on a configured wakeup input pin) starts the BOR entry sequence together with the regulator. All peripheral registers are set to their default conditions. Upon exit from LPMx.5, the I/O pins remain locked while LOCKLPM5 remains set. Keeping the I/O pins locked ensures that all pin conditions remain stable upon entering the active mode regardless of the default I/O register settings.
5. Once in active mode, the I/O configuration and I/O interrupt configuration that was not retained during LPMx.5 should be restored to the values prior to entering LPMx.5. It is recommended to reconfigure the PxIES and PxIE to their previous settings to prevent a false port interrupt from occurring. The LOCKLPM5 bit can then be cleared, which releases the I/O pin conditions and I/O interrupt configuration. Any changes to the port configuration registers while LOCKLPM5 is set, have no effect on the I/O pins.
6. After enabling the I/O interrupts, the I/O interrupt that caused the wakeup can be serviced indicated by the PxIFG flags. These flags can be used directly, or the corresponding PxIV register may be used. Note that the PxIFG flag cannot be cleared until the LOCKLPM5 bit has been cleared.

NOTE: It is possible that multiple events occurred on various ports. In these cases, multiple PxIFG flags will be set, and it cannot be determined which port has caused the I/O wakeup.

8.4 Digital I/O Registers

The digital I/O registers are listed in [Table 8-2](#). The base addresses can be found in the device-specific data sheet. Each port grouping begins at its base address. The address offsets are given in [Table 8-2](#).

NOTE: All registers have word or byte register access. For a generic register *ANYREG*, the suffix "_L" (*ANYREG_L*) refers to the lower byte of the register (bits 0 through 7). The suffix "_H" (*ANYREG_H*) refers to the upper byte of the register (bits 8 through 15).

Table 8-2. Digital I/O Registers

Offset	Acronym	Register Name	Type	Access	Reset	Section
0Eh	P1IV	Port 1 Interrupt Vector	Read only	Word	0000h	Section 8.4.1
0Eh	P1IV_L		Read only	Byte	00h	
0Fh	P1IV_H		Read only	Byte	00h	
1Eh	P2IV	Port 2 Interrupt Vector	Read only	Word	0000h	Section 8.4.2
1Eh	P2IV_L		Read only	Byte	00h	
1Fh	P2IV_H		Read only	Byte	00h	
00h	P1IN or PAIN_L	Port 1 Input	Read only	Byte		Section 8.4.9
02h	P1OUT or PAOUT_L	Port 1 Output	Read/write	Byte	undefined	Section 8.4.10
04h	P1DIR or PADIR_L	Port 1 Direction	Read/write	Byte	00h	Section 8.4.11
06h	P1REN or PAREN_L	Port 1 Resistor Enable	Read/write	Byte	00h	Section 8.4.12
08h	P1DS or PADS_L	Port 1 Drive Strength	Read/write	Byte	00h	Section 8.4.13
0Ah	P1SEL or PASEL_L	Port 1 Port Select	Read/write	Byte	00h	Section 8.4.14
18h	P1IES or PAIES_L	Port 1 Interrupt Edge Select	Read/write	Byte	undefined	Section 8.4.3
1Ah	P1IE or PAIE_L	Port 1 Interrupt Enable	Read/write	Byte	00h	Section 8.4.4
1Ch	P1IFG or PAIFG_L	Port 1 Interrupt Flag	Read/write	Byte	00h	Section 8.4.5
01h	P2IN or PAIN_H	Port 2 Input	Read only	Byte		Section 8.4.9
03h	P2OUT or PAOUT_H	Port 2 Output	Read/write	Byte	undefined	Section 8.4.10
05h	P2DIR or PADIR_H	Port 2 Direction	Read/write	Byte	00h	Section 8.4.11
07h	P2REN or PAREN_H	Port 2 Resistor Enable	Read/write	Byte	00h	Section 8.4.12
09h	P2DS or PADS_H	Port 2 Drive Strength	Read/write	Byte	00h	Section 8.4.13
0Bh	P2SEL or PASEL_H	Port 2 Port Select	Read/write	Byte	00h	Section 8.4.14
19h	P2IES or PAIES_H	Port 2 Interrupt Edge Select	Read/write	Byte	undefined	Section 8.4.6
1Bh	P2IE or PAIE_H	Port 2 Interrupt Enable	Read/write	Byte	00h	Section 8.4.7
1Dh	P2IFG or PAIFG_H	Port 2 Interrupt Flag	Read/write	Byte	00h	Section 8.4.8
00h	P3IN or PBIN_L	Port 3 Input	Read only	Byte		Section 8.4.9
02h	P3OUT or PBOUN_L	Port 3 Output	Read/write	Byte	undefined	Section 8.4.10

Table 8-2. Digital I/O Registers (continued)

Offset	Acronym	Register Name	Type	Access	Reset	Section
04h	P3DIR or PBDIR_L	Port 3 Direction	Read/write	Byte	00h	Section 8.4.11
06h	P3REN or PBREN_L	Port 3 Resistor Enable	Read/write	Byte	00h	Section 8.4.12
08h	P3DS or PBDS_L	Port 3 Drive Strength	Read/write	Byte	00h	Section 8.4.13
0Ah	P3SEL or PBSEL_L	Port 3 Port Select	Read/write	Byte	00h	Section 8.4.14
01h	P4IN or PBIN_H	Port 4 Input	Read only	Byte		Section 8.4.9
03h	P4OUT or PBOUT_H	Port 4 Output	Read/write	Byte	undefined	Section 8.4.10
05h	P4DIR or PBDIR_H	Port 4 Direction	Read/write	Byte	00h	Section 8.4.11
07h	P4REN or PBREN_H	Port 4 Resistor Enable	Read/write	Byte	00h	Section 8.4.12
09h	P4DS or PBDS_H	Port 4 Drive Strength	Read/write	Byte	00h	Section 8.4.13
0Bh	P4SEL or PBSEL_H	Port 4 Port Select	Read/write	Byte	00h	Section 8.4.14
00h	P5IN or PCIN_L	Port 5 Input	Read only	Byte		Section 8.4.9
02h	P5OUT or PCOUT_L	Port 5 Output	Read/write	Byte	undefined	Section 8.4.10
04h	P5DIR or PCDIR_L	Port 5 Direction	Read/write	Byte	00h	Section 8.4.11
06h	P5REN or PCREN_L	Port 5 Resistor Enable	Read/write	Byte	00h	Section 8.4.12
08h	P5DS or PCDS_L	Port 5 Drive Strength	Read/write	Byte	00h	Section 8.4.13
0Ah	P5SEL or PCSEL_L	Port 5 Port Select	Read/write	Byte	00h	Section 8.4.14
01h	P6IN or PCIN_H	Port 6 Input	Read only	Byte		Section 8.4.9
03h	P6OUT or PCOUT_H	Port 6 Output	Read/write	Byte	undefined	Section 8.4.10
05h	P6DIR or PCDIR_H	Port 6 Direction	Read/write	Byte	00h	Section 8.4.11
07h	P6REN or PCREN_H	Port 6 Resistor Enable	Read/write	Byte	00h	Section 8.4.12
09h	P6DS or PCDS_H	Port 6 Drive Strength	Read/write	Byte	00h	Section 8.4.13
0Bh	P6SEL or PCSEL_H	Port 6 Port Select	Read/write	Byte	00h	Section 8.4.14
00h	P7IN or PDIN_L	Port 7 Input	Read only	Byte		Section 8.4.9
02h	P7OUT or PDOUT_L	Port 7 Output	Read/write	Byte	undefined	Section 8.4.10
04h	P7DIR or PDDIR_L	Port 7 Direction	Read/write	Byte	00h	Section 8.4.11
06h	P7REN or PDREN_L	Port 7 Resistor Enable	Read/write	Byte	00h	Section 8.4.12
08h	P7DS or PDDS_L	Port 7 Drive Strength	Read/write	Byte	00h	Section 8.4.13
0Ah	P7SEL or PDSEL_L	Port 7 Port Select	Read/write	Byte	00h	Section 8.4.14

Table 8-2. Digital I/O Registers (continued)

Offset	Acronym	Register Name	Type	Access	Reset	Section
01h	P8IN or PDIN_H	Port 8 Input	Read only	Byte		Section 8.4.9
03h	P8OUT or PDOUT_H	Port 8 Output	Read/write	Byte	undefined	Section 8.4.10
05h	P8DIR or PDDIR_H	Port 8 Direction	Read/write	Byte	00h	Section 8.4.11
07h	P8REN or PDREN_H	Port 8 Resistor Enable	Read/write	Byte	00h	Section 8.4.12
09h	P8DS or PDDS_H	Port 8 Drive Strength	Read/write	Byte	00h	Section 8.4.13
0Bh	P8SEL or PDSEL_H	Port 8 Port Select	Read/write	Byte	00h	Section 8.4.14
00h	P9IN or PEIN_L	Port 9 Input	Read only	Byte		Section 8.4.9
02h	P9OUT or PEOUT_L	Port 9 Output	Read/write	Byte	undefined	Section 8.4.10
04h	P9DIR or PEDIR_L	Port 9 Direction	Read/write	Byte	00h	Section 8.4.11
06h	P9REN or PEREN_L	Port 9 Resistor Enable	Read/write	Byte	00h	Section 8.4.12
08h	P9DS or PEDS_L	Port 9 Drive Strength	Read/write	Byte	00h	Section 8.4.13
0Ah	P9SEL or PESEL_L	Port 9 Port Select	Read/write	Byte	00h	Section 8.4.14
01h	P10IN or PEIN_H	Port 10 Input	Read only	Byte		Section 8.4.9
03h	P10OUT or PEOUT_H	Port 10 Output	Read/write	Byte	undefined	Section 8.4.10
05h	P10DIR or PEDIR_H	Port 10 Direction	Read/write	Byte	00h	Section 8.4.11
07h	P10REN or PEREN_H	Port 10 Resistor Enable	Read/write	Byte	00h	Section 8.4.12
09h	P10DS or PEDS_H	Port 10 Drive Strength	Read/write	Byte	00h	Section 8.4.13
0Bh	P10SEL or PESEL_H	Port 10 Port Select	Read/write	Byte	00h	Section 8.4.14
00h	P11IN or PFIN_L	Port 11 Input	Read only	Byte		Section 8.4.9
02h	P11OUT or PFOUT_L	Port 11 Output	Read/write	Byte	undefined	Section 8.4.10
04h	P11DIR or PFDIR_L	Port 11 Direction	Read/write	Byte	00h	Section 8.4.11
06h	P11REN or PFREN_L	Port 11 Resistor Enable	Read/write	Byte	00h	Section 8.4.12
08h	P11DS or PFDS_L	Port 11 Drive Strength	Read/write	Byte	00h	Section 8.4.13
0Ah	P11SEL or PFSEL_L	Port 11 Port Select	Read/write	Byte	00h	Section 8.4.14
00h	PAIN	Port A Input	Read only	Word		
00h	PAIN_L		Read only	Byte		
01h	PAIN_H		Read only	Byte		
02h	PAOUT	Port A Output	Read/write	Word	undefined	
02h	PAOUT_L		Read/write	Byte	undefined	
03h	PAOUT_H		Read/write	Byte	undefined	
04h	PADIR	Port A Direction	Read/write	Word	0000h	

Table 8-2. Digital I/O Registers (continued)

Offset	Acronym	Register Name	Type	Access	Reset	Section
04h	PADIR_L		Read/write	Byte	00h	
05h	PADIR_H		Read/write	Byte	00h	
06h	PAREN	Port A Resistor Enable	Read/write	Word	0000h	
06h	PAREN_L		Read/write	Byte	00h	
07h	PAREN_H		Read/write	Byte	00h	
08h	PADS	Port A Drive Strength	Read/write	Word	0000h	
08h	PADS_L		Read/write	Byte	00h	
09h	PADS_H		Read/write	Byte	00h	
0Ah	PASEL	Port A Port Select	Read/write	Word	0000h	
0Ah	PASEL_L		Read/write	Byte	00h	
0Bh	PASEL_H		Read/write	Byte	00h	
18h	PAIES	Port A Interrupt Edge Select	Read/write	Word	undefined	
18h	PAIES_L		Read/write	Byte	undefined	
19h	PAIES_H		Read/write	Byte	undefined	
1Ah	PAIE	Port A Interrupt Enable	Read/write	Word	0000h	
1Ah	PAIE_L		Read/write	Byte	00h	
1Bh	PAIE_H		Read/write	Byte	00h	
1Ch	PAIFG	Port A Interrupt Flag	Read/write	Word	0000h	
1Ch	PAIFG_L		Read/write	Byte	00h	
1Dh	PAIFG_H		Read/write	Byte	00h	
00h	PBIN	Port B Input	Read only	Word		
00h	PBIN_L		Read only	Byte		
01h	PBIN_H		Read only	Byte		
02h	PBOUT	Port B Output	Read/write	Word	undefined	
02h	PBOUT_L		Read/write	Byte	undefined	
03h	PBOUT_H		Read/write	Byte	undefined	
04h	PBDIR	Port B Direction	Read/write	Word	0000h	
04h	PBDIR_L		Read/write	Byte	00h	
05h	PBDIR_H		Read/write	Byte	00h	
06h	PBREN	Port B Resistor Enable	Read/write	Word	0000h	
06h	PBREN_L		Read/write	Byte	00h	
07h	PBREN_H		Read/write	Byte	00h	
08h	PBDS	Port B Drive Strength	Read/write	Word	0000h	
08h	PBDS_L		Read/write	Byte	00h	
09h	PBDS_H		Read/write	Byte	00h	
0Ah	PBSEL	Port B Port Select	Read/write	Word	0000h	
0Ah	PBSEL_L		Read/write	Byte	00h	
0Bh	PBSEL_H		Read/write	Byte	00h	
00h	PCIN	Port C Input	Read only	Word		
00h	PCIN_L		Read only	Byte		
01h	PCIN_H		Read only	Byte		
02h	PCOUT	Port C Output	Read/write	Word	undefined	
02h	PCOUT_L		Read/write	Byte	undefined	
03h	PCOUT_H		Read/write	Byte	undefined	
04h	PCDIR	Port C Direction	Read/write	Word	0000h	
04h	PCDIR_L		Read/write	Byte	00h	
05h	PCDIR_H		Read/write	Byte	00h	

Table 8-2. Digital I/O Registers (continued)

Offset	Acronym	Register Name	Type	Access	Reset	Section
06h	PCREN	Port C Resistor Enable	Read/write	Word	0000h	
06h	PCREN_L		Read/write	Byte	00h	
07h	PCREN_H		Read/write	Byte	00h	
08h	PCDS	Port C Drive Strength	Read/write	Word	0000h	
08h	PCDS_L		Read/write	Byte	00h	
09h	PCDS_H		Read/write	Byte	00h	
0Ah	PCSEL	Port C Port Select	Read/write	Word	0000h	
0Ah	PCSEL_L		Read/write	Byte	00h	
0Bh	PCSEL_H		Read/write	Byte	00h	
00h	PDIN	Port D Input	Read only	Word		
00h	PDIN_L		Read only	Byte		
01h	PDIN_H		Read only	Byte		
02h	PDOUT	Port D Output	Read/write	Word	undefined	
02h	PDOUT_L		Read/write	Byte	undefined	
03h	PDOUT_H		Read/write	Byte	undefined	
04h	PDDIR	Port D Direction	Read/write	Word	0000h	
04h	PDDIR_L		Read/write	Byte	00h	
05h	PDDIR_H		Read/write	Byte	00h	
06h	PDREN	Port D Resistor Enable	Read/write	Word	0000h	
06h	PDREN_L		Read/write	Byte	00h	
07h	PDREN_H		Read/write	Byte	00h	
08h	PDDS	Port D Drive Strength	Read/write	Word	0000h	
08h	PDDS_L		Read/write	Byte	00h	
09h	PDDS_H		Read/write	Byte	00h	
0Ah	PDSEL	Port D Port Select	Read/write	Word	0000h	
0Ah	PDSEL_L		Read/write	Byte	00h	
0Bh	PDSEL_H		Read/write	Byte	00h	
00h	PEIN	Port E Input	Read only	Word		
00h	PEIN_L		Read only	Byte		
01h	PEIN_H		Read only	Byte		
02h	PEOUT	Port E Output	Read/write	Word	undefined	
02h	PEOUT_L		Read/write	Byte	undefined	
03h	PEOUT_H		Read/write	Byte	undefined	
04h	PEDIR	Port E Direction	Read/write	Word	0000h	
04h	PEDIR_L		Read/write	Byte	00h	
05h	PEDIR_H		Read/write	Byte	00h	
06h	PEREN	Port E Resistor Enable	Read/write	Word	0000h	
06h	PEREN_L		Read/write	Byte	00h	
07h	PEREN_H		Read/write	Byte	00h	
08h	PEDS	Port E Drive Strength	Read/write	Word	0000h	
08h	PEDS_L		Read/write	Byte	00h	
09h	PEDS_H		Read/write	Byte	00h	
0Ah	PESEL	Port E Port Select	Read/write	Word	0000h	
0Ah	PESEL_L		Read/write	Byte	00h	
0Bh	PESEL_H		Read/write	Byte	00h	
00h	PFIN	Port F Input	Read only	Word		
00h	PFIN_L		Read only	Byte		

Table 8-2. Digital I/O Registers (continued)

Offset	Acronym	Register Name	Type	Access	Reset	Section
01h	PFIN_H		Read only	Byte		
02h	PFOUT	Port F Output	Read/write	Word	undefined	
02h	PFOUT_L		Read/write	Byte	undefined	
03h	PFOUT_H		Read/write	Byte	undefined	
04h	PFDIR	Port F Direction	Read/write	Word	0000h	
04h	PFDIR_L		Read/write	Byte	00h	
05h	PFDIR_H		Read/write	Byte	00h	
06h	PFREN	Port F Resistor Enable	Read/write	Word	0000h	
06h	PFREN_L		Read/write	Byte	00h	
07h	PFREN_H		Read/write	Byte	00h	
08h	PFDS	Port F Drive Strength	Read/write	Word	0000h	
08h	PFDS_L		Read/write	Byte	00h	
09h	PFDS_H		Read/write	Byte	00h	
0Ah	PFSEL	Port F Port Select	Read/write	Word	0000h	
0Ah	PFSEL_L		Read/write	Byte	00h	
0Bh	PFSEL_H		Read/write	Byte	00h	
00h	PJIN	Port J Input	Read only	Word		
00h	PJIN_L		Read only	Byte		
01h	PJIN_H		Read only	Byte		
02h	PJOUT	Port J Output	Read/write	Word	undefined	
02h	PJOUT_L		Read/write	Byte	undefined	
03h	PJOUT_H		Read/write	Byte	undefined	
04h	PJDIR	Port J Direction	Read/write	Word	0000h	
04h	PJDIR_L		Read/write	Byte	00h	
05h	PJDIR_H		Read/write	Byte	00h	
06h	PJREN	Port J Resistor Enable	Read/write	Word	0000h	
06h	PJREN_L		Read/write	Byte	00h	
07h	PJREN_H		Read/write	Byte	00h	
08h	PJDS	Port J Drive Strength	Read/write	Word	0000h	
08h	PJDS_L		Read/write	Byte	00h	
09h	PJDS_H		Read/write	Byte	00h	

8.4.1 P1IV Register

Port 1 Interrupt Vector Register

Figure 8-1. P1IV Register

15	14	13	12	11	10	9	8
P1IV							
r0	r0	r0	r0	r0	r0	r0	r0
7	6	5	4	3	2	1	0
P1IV							
r0	r0	r0	r-0	r-0	r-0	r-0	r0

Table 8-3. P1IV Register Description

Bit	Field	Type	Reset	Description
15-0	P1IV	R	0h	Port 1 interrupt vector value 00h = No interrupt pending 02h = Interrupt Source: Port 1.0 interrupt; Interrupt Flag: P1IFG.0; Interrupt Priority: Highest 04h = Interrupt Source: Port 1.1 interrupt; Interrupt Flag: P1IFG.1 06h = Interrupt Source: Port 1.2 interrupt; Interrupt Flag: P1IFG.2 08h = Interrupt Source: Port 1.3 interrupt; Interrupt Flag: P1IFG.3 0Ah = Interrupt Source: Port 1.4 interrupt; Interrupt Flag: P1IFG.4 0Ch = Interrupt Source: Port 1.5 interrupt; Interrupt Flag: P1IFG.5 0Eh = Interrupt Source: Port 1.6 interrupt; Interrupt Flag: P1IFG.6 10h = Interrupt Source: Port 1.7 interrupt; Interrupt Flag: P1IFG.7; Interrupt Priority: Lowest

8.4.2 P2IV Register

Port 2 Interrupt Vector Register

Figure 8-2. P2IV Register

15	14	13	12	11	10	9	8
P2IV							
r0	r0	r0	r0	r0	r0	r0	r0
7	6	5	4	3	2	1	0
P2IV							
r0	r0	r0	r-0	r-0	r-0	r-0	r0

Table 8-4. P2IV Register Description

Bit	Field	Type	Reset	Description
15-0	P2IV	R	0h	Port 2 interrupt vector value 00h = No interrupt pending 02h = Interrupt Source: Port 2.0 interrupt; Interrupt Flag: P2IFG.0; Interrupt Priority: Highest 04h = Interrupt Source: Port 2.1 interrupt; Interrupt Flag: P2IFG.1 06h = Interrupt Source: Port 2.2 interrupt; Interrupt Flag: P2IFG.2 08h = Interrupt Source: Port 2.3 interrupt; Interrupt Flag: P2IFG.3 0Ah = Interrupt Source: Port 2.4 interrupt; Interrupt Flag: P2IFG.4 0Ch = Interrupt Source: Port 2.5 interrupt; Interrupt Flag: P2IFG.5 0Eh = Interrupt Source: Port 2.6 interrupt; Interrupt Flag: P2IFG.6 10h = Interrupt Source: Port 2.7 interrupt; Interrupt Flag: P2IFG.7; Interrupt Priority: Lowest

8.4.3 P1IES Register

Port 1 Interrupt Edge Select Register

Figure 8-3. P1IES Register



Table 8-5. P1IES Register Description

Bit	Field	Type	Reset	Description
4-0	P1IES	RW	undefined	Port 1 interrupt edge select 0b = P1IFG flag is set with a low-to-high transition. 1b = P1IFG flag is set with a high-to-low transition.

8.4.4 P1IE Register

Port 1 Interrupt Enable Register

Figure 8-4. P1IE Register

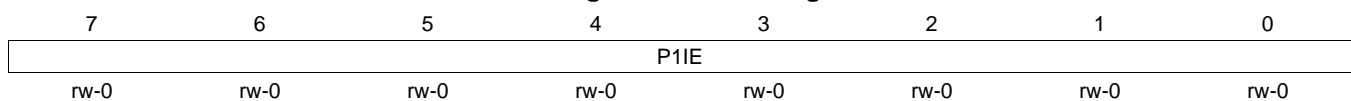


Table 8-6. P1IE Register Description

Bit	Field	Type	Reset	Description
7-0	P1IE	RW	0h	Port 1 interrupt enable 0b = Corresponding port interrupt disabled 1b = Corresponding port interrupt enabled

8.4.5 P1IFG Register

Port 1 Interrupt Flag Register

Figure 8-5. P1IFG Register



Table 8-7. P1IFG Register Description

Bit	Field	Type	Reset	Description
7-0	P1IFG	RW	0h	Port 1 interrupt flag 0b = No interrupt is pending 1b = Interrupt is pending

8.4.6 P2IES Register

Port 2 Interrupt Edge Select Register

Figure 8-6. P2IES Register

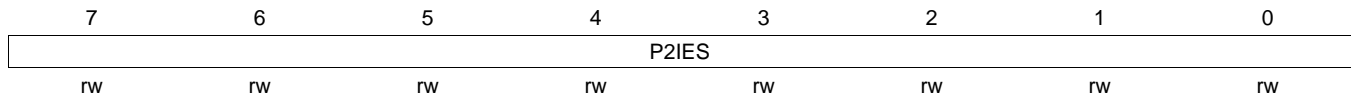


Table 8-8. P2IES Register Description

Bit	Field	Type	Reset	Description
7-0	P2IES	RW	undefined	Port 2 interrupt edge select 0b = P2IFG flag is set with a low-to-high transition. 1b = P2IFG flag is set with a high-to-low transition.

8.4.7 P2IE Register

Port 2 Interrupt Enable Register

Figure 8-7. P2IE Register

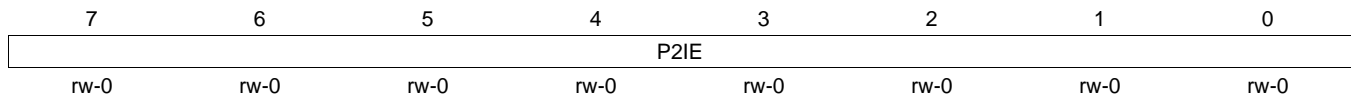


Table 8-9. P2IE Register Description

Bit	Field	Type	Reset	Description
7-0	P2IE	RW	0h	Port 2 interrupt enable 0b = Corresponding port interrupt disabled 1b = Corresponding port interrupt enabled

8.4.8 P2IFG Register

Port 2 Interrupt Flag Register

Figure 8-8. P2IFG Register

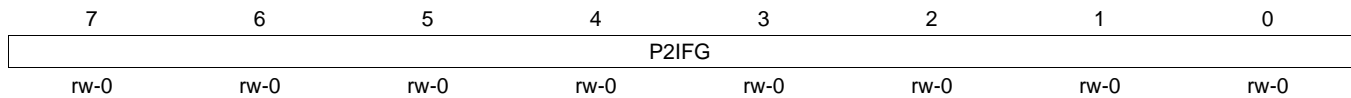


Table 8-10. P2IFG Register Description

Bit	Field	Type	Reset	Description
7-0	P2IFG	RW	0h	Port 2 interrupt flag 0b = No interrupt is pending 1b = Interrupt is pending

8.4.9 PxIN Register

Port x Input Register

Figure 8-9. PxIN Register

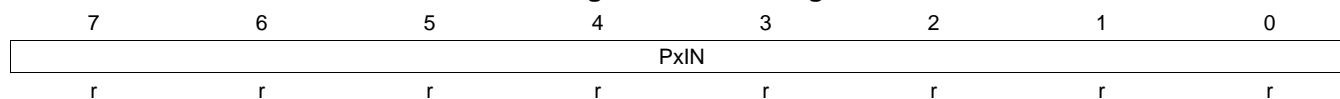


Table 8-11. PxIN Register Description

Bit	Field	Type	Reset	Description
7-0	PxIN	R	undefined	Port x input. Read only.

8.4.10 PxOUT Register

Port x Output Register

Figure 8-10. PxOUT Register

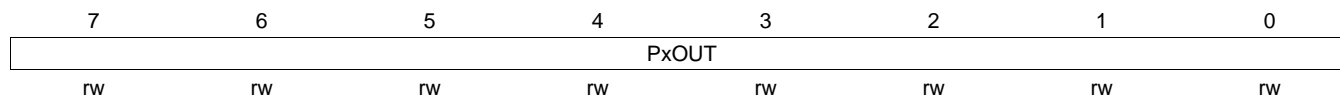


Table 8-12. PxOUT Register Description

Bit	Field	Type	Reset	Description
7-0	PxOUT	RW	undefined	Port x output When I/O configured to output mode: 0b = Output is low 1b = Output is high When I/O configured to input mode and pullups/pulldowns enabled: 0b = Pulldown selected 1b = Pullup selected

8.4.11 PxDIR Register

Port x Direction Register

Figure 8-11. PxDIR Register

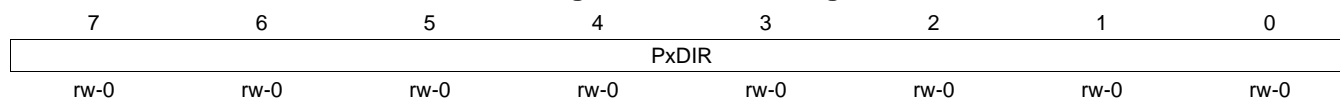


Table 8-13. PxDIR Register Description

Bit	Field	Type	Reset	Description
7-0	PxDIR	RW	0h	Port x direction 0b = Port configured as input 1b = Port configured as output

8.4.12 PxREN Register

Port x Pullup/Pulldown Resistor Enable Registers

Figure 8-12. PxREN Register

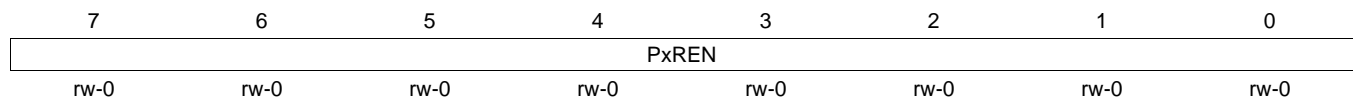


Table 8-14. PxREN Register Description

Bit	Field	Type	Reset	Description
7-0	PxREN	RW	0h	Port x pullup/pulldown resistor enable. When respective port is configured as input, setting this bit will enable the pullup or pulldown. See Table 8-1 0b = Pullup or pulldown disabled. 1b = Pullup or pulldown enabled.

8.4.13 PxDS Register

Port x Drive Strength Register

Figure 8-13. PxDS Register

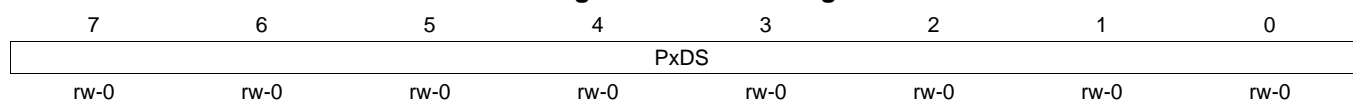


Table 8-15. PxDS Register Description

Bit	Field	Type	Reset	Description
7-0	PxDS	RW	0h	Port x drive strength 0b = Reduced output drive strength 1b = Full output drive strength

8.4.14 PxSEL Register

REGISTERDESCRIPTION

Figure 8-14. PxSEL Register

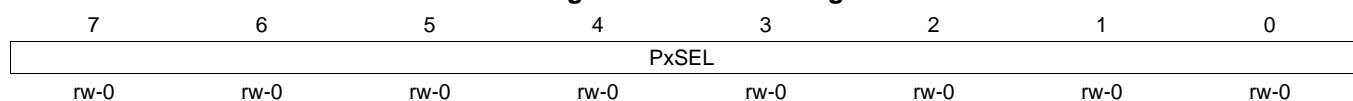


Table 8-16. PxSEL Register Description

Bit	Field	Type	Reset	Description
7-0	PxSEL	RW	0h	Port x function selection 0b = I/O function is selected 1b = Peripheral module function is selected



Port Mapping Controller

The port mapping controller allows a flexible mapping of digital functions to port pins. This chapter describes the port mapping controller.

Topic	Page
9.1 Port Mapping Controller Introduction	363
9.2 Port Mapping Controller Operation	363
9.3 Port Mapping Controller Registers	365

9.1 Port Mapping Controller Introduction

The port mapping controller allows the flexible and reconfigurable mapping of digital functions to port pins.

The port mapping controller features are:

- Configuration protected by write access key.
- Default mapping provided for each port pin (device-dependent, the device pinout in the device-specific data sheet).
- Mapping can be reconfigured during runtime.
- Each output signal can be mapped to several output pins.

9.2 Port Mapping Controller Operation

The port mapping is configured with user software. The setup is discussed in the following sections.

9.2.1 Access

To enable write access to any of the port mapping controller registers, the correct key must be written into the PMAPKEYID register. The PMAPKEYID register always reads 096A5h. Writing the key 02D52h grants write access to all port mapping controller registers. Read access is always possible.

If an invalid key is written while write access is granted, any further write accesses are prevented. It is recommended that the application completes mapping configuration by writing an invalid key.

There is a timeout counter implemented that is incremented with each (assembler) instruction, and when it counts to 32, the write access is locked again. Any access to the port mapping controller registers resets the counter. Interrupts should be disabled during the configuration process or the application should take precautions that the execution of an interrupt service routine does not accidentally cause a permanent lock of the port mapping registers; for example, by using the reconfiguration capability (see [Section 9.2.2](#)).

The access status is reflected in the PMAPLOCK bit.

By default, the port mapping controller allows only one configuration after PUC. A second attempt to enable write access by writing the correct key is ignored, and the registers remain locked. A PUC is required to disable the permanent lock again. If it is necessary to reconfigure the mapping during runtime, the PMAPRECFG bit must be set during the first write access timeslot. If PMAPRECFG is cleared during later configuration sessions, no more configuration sessions are possible.

9.2.2 Mapping

For each port pin, Px.y, on ports providing the mapping functionality, a mapping register, PxMAPy, is available. Setting this register to a certain value maps a module's input and output signals to the respective port pin Px.y. The port pin itself is switched from a general purpose I/O to the selected peripheral/secondary function by setting the corresponding PxSEL.y bit to 1. If the input or the output function of the module is used, it is typically defined by the setting the PxDIR.y bit. If PxDIR.y = 0, the pin is an input, if PxDIR.y = 1, the pin is an output. There are also peripherals (for example, the USC1 module) that control the direction or even other functions of the pin (for example, open drain), and these options are documented in the mapping table.

With the port mapping functionality the output of a module can be mapped to multiple pins. Also the input of a module can receive inputs from multiple pins. When mapping multiple inputs onto one function, care needs to be taken because the input signals are logically ORed together without applying any priority; therefore, a logic one on any of the inputs results in a logic one at the module. If the PxSEL.y bit is 0, the corresponding input signal is a logic zero.

The mapping is device-dependent; see the device-specific data sheet for available functions and specific values. The use of mapping mnemonics to abstract the underlying PxMAPy values is recommended to allow simple portability between different devices. [Table 9-1](#) shows some examples for mapping mnemonics of some common peripherals.

All mappable port pins provide the function PM_ANALOG (0FFh). Setting the port mapping register PxMAPy to PM_ANALOG together with PxSEL.y = 1 disables the output driver and the input Schmitt-trigger, to prevent parasitic cross currents when applying analog signals.

Table 9-1. Examples for Port Mapping Mnemonics and Functions

PxMAPy Mnemonic	Input Pin Function With PxSEL.y = 1 and PxDIR.y = 0	Output Pin Function With PxSEL.y = 1 and PxDIR.y = 1
PM_NONE	None	DVSS
PM_ACLK	None	ACLK
PM_MCLK	None	MCLK
PM_SMCLK	None	SMCLK
PM_TA0CLK	Timer_A0 clock input	DVSS
PM_TA0CCR0A	Timer_A0 CCR0 capture input CCI0A	TA0 CCR0 compare output Out0
PM_TA0CCR1A	Timer_A0 CCR1 capture input CCI1A	TA0 CCR1 compare output Out1
PM_TA0CCR2A	Timer_A0 CCR2 capture input CCI2A	TA0 CCR2 compare output Out2
PM_TA0CCR3A	Timer_A0 CCR3 capture input CCI3A	TA0 CCR3 compare output Out3
PM_TA0CCR4A	Timer_A0 CCR4 capture input CCI4A	TA0 CCR4 compare output Out4
PM_TA1CLK	Timer_A1 clock input	DVSS
PM_TA1CCR0A	Timer_A1 CCR0 capture input CCI0A	TA1 CCR0 compare output Out0
PM_TA1CCR1A	Timer_A1 CCR1 capture input CCI1A	TA1 CCR1 compare output Out1
PM_TA1CCR2A	Timer_A1 CCR2 capture input CCI2A	TA1 CCR2 compare output Out2
PM_TBCLK	Timer_B clock input	DVSS
PM_TBOUTH	Timer_B outputs high impedance	DVSS
PM_TBCCR0A	Timer_B CCR0 capture input CCI0A	TB CCR0 compare output Out0 [direction controlled by Timer_B (TBOUTH)]
PM_TBCCR1A	Timer_B CCR1 capture input CCI1A	TB CCR1 compare output Out1 [direction controlled by Timer_B (TBOUTH)]
PM_TBCCR2A	Timer_B CCR2 capture input CCI2A	TB CCR2 compare output Out2 [direction controlled by Timer_B (TBOUTH)]
PM_TBCCR3A	Timer_B CCR3 capture input CCI3A	TB CCR3 compare output Out3 [direction controlled by Timer_B (TBOUTH)]
PM_TBCCR4A	Timer_B CCR4 capture input CCI4A	TB CCR4 compare output Out4 [direction controlled by Timer_B (TBOUTH)]
PM_TBCCR5A	Timer_B CCR5 capture input CCI3A	TB CCR5 compare output Out5 [direction controlled by Timer_B (TBOUTH)]
PM_TBCCR6A	Timer_B CCR6 capture input CCI4A	TB CCR6 compare output Out6 [direction controlled by Timer_B (TBOUTH)]
PM_UCA0RXD	USCI_A0 UART RXD (direction controlled by USCI - input)	
PM_UCA0SOMI	USCI_A0 SPI slave out master in (direction controlled by USCI)	
PM_UCA0TXD	USCI_A0 UART TXD (direction controlled by USCI - output)	
PM_UCA0SIMO	USCI_A0 SPI slave in master out (direction controlled by USCI)	
PM_UCA0CLK	USCI_A0 clock input/output (direction controlled by USCI)	
PM_UCA0STE	USCI_A0 SPI slave transmit enable (direction controlled by USCI)	
PM_UCB0SOMI	USCI_B0 SPI slave out master in (direction controlled by USCI)	
PM_UCB0SCL	USCI_B0 I2C clock (open drain and direction controlled by USCI)	
PM_UCB0SIMO	USCI_B0 SPI slave in master out (direction controlled by USCI)	
PM_UCB0SDA	USCI_B0 I2C data (open drain and direction controlled by USCI)	
PM_UCB0CLK	USCI_B0 clock input/output (direction controlled by USCI)	
PM_UCB0STE	USCI_B0 SPI slave transmit enable (direction controlled by USCI)	
PM_ANALOG	Disables the output driver and the input Schmitt-trigger to prevent parasitic cross currents when applying analog signals	

9.3 Port Mapping Controller Registers

The control register for the port mapping controller are listed in [Table 9-2](#). The mapping registers are listed in [Table 9-3](#). The mapping registers can also be accessed as words, as shown in [Table 9-4](#).

Table 9-2. Port Mapping Control Registers

Offset	Acronym	Register Name	Type	Reset
00h	PMAPKEYID	Port mapping key register	Read/write	Reset with PUC
02h	PMAPCTL	Port mapping control register	Read/write	Reset with PUC

Table 9-3. Port Mapping Registers for Port Px – Byte Access

Offset	Acronym	Register Name	Type	Reset
00h	PxMAP0	Port Px.0 mapping register	Read/write	Device dependent
01h	PxMAP1	Port Px.1 mapping register	Read/write	Device dependent
02h	PxMAP2	Port Px.2 mapping register	Read/write	Device dependent
03h	PxMAP3	Port Px.3 mapping register	Read/write	Device dependent
04h	PxMAP4	Port Px.4 mapping register	Read/write	Device dependent
05h	PxMAP5	Port Px.5 mapping register	Read/write	Device dependent
06h	PxMAP6	Port Px.6 mapping register	Read/write	Device dependent
07h	PxMAP7	Port Px.7 mapping register	Read/write	Device dependent

Table 9-4. Port Mapping Registers for Port Px – Word Access

Offset	Acronym	Register Name	Type	Reset
00h	PxMAP01	Port Px.0/Port Px.1 mapping register	Read/write	Device dependent
02h	PxMAP23	Port Px.2/Port Px.3 mapping register	Read/write	Device dependent
04h	PxMAP45	Port Px.4/Port Px.5 mapping register	Read/write	Device dependent
06h	PxMAP67	Port Px.6/Port Px.7 mapping register	Read/write	Device dependent

9.3.1 PMAPKEYID Register

Port Mapping Key Register

Figure 9-1. PMAPKEYID Register

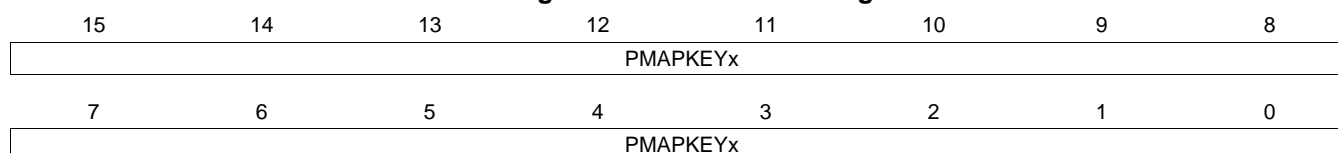


Table 9-5. PMAPKEYID Register Description

Bit	Field	Type	Reset	Description
15-0	PMAPKEYx	RW	96A5h	Port write access key. Always reads 096A5h. Must be written 02D52h for write access to the port mapping registers.

9.3.2 PMAPCTL Register

Port Mapping Control Register

Figure 9-2. PMAPCTL Register

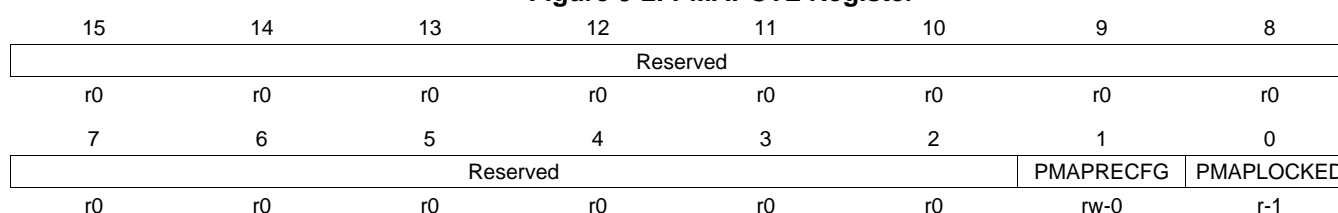


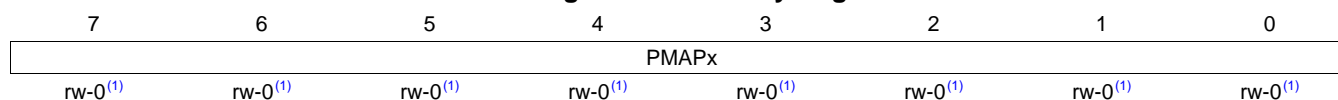
Table 9-6. PMAPCTL Register Description

Bit	Field	Type	Reset	Description
15-2	Reserved	R	0h	Reserved. Always reads as 0.
1	PMAPRECFG	RW	0h	Port mapping reconfiguration control bit 0b = Configuration allowed only once 1b = Allow reconfiguration of port mapping
0	PMAPLOCKED	R	1h	Port mapping lock bit. Read only 0b = Access to mapping registers is granted 1b = Access to mapping registers is locked

9.3.3 PxMAPy Register

Port Px.y Mapping Register

Figure 9-3. PxMAPy Register



⁽¹⁾ If not all bits are required to decode all provided functions, the unused bits are r0.

Table 9-7. PxMAPy Register Description

Bit	Field	Type	Reset	Description
7-0	PMAPx	RW	0h	Selects secondary port function. Settings are device-dependent; see the device-specific data sheet.

Cyclic Redundancy Check (CRC) Module

The cyclic redundancy check (CRC) module provides a signature for a given data sequence. This chapter describes the operation and use of the CRC module.

NOTE: The CRC module on the CC430F613x, CC430F612x, and CC430F513x devices does not support the bit-wise reverse feature described in this module description. Registers CRCDIRB and CRCRESR, along with their respective functionality, are not available.

Topic	Page
10.1 Cyclic Redundancy Check (CRC) Module Introduction	368
10.2 CRC Standard and Bit Order	368
10.3 CRC Checksum Generation	369
10.4 CRC Registers	372

10.1 Cyclic Redundancy Check (CRC) Module Introduction

The CRC module produces a signature for a given sequence of data values. The signature is generated through a feedback path from data bits 0, 4, 11, and 15 (see [Figure 10-1](#)). The CRC signature is based on the polynomial given in the CRC-CCITT-BR polynomial (see [Equation 10](#)).

$$f(x) = x^{16} + x^{12} + x^5 + 1 \quad (10)$$

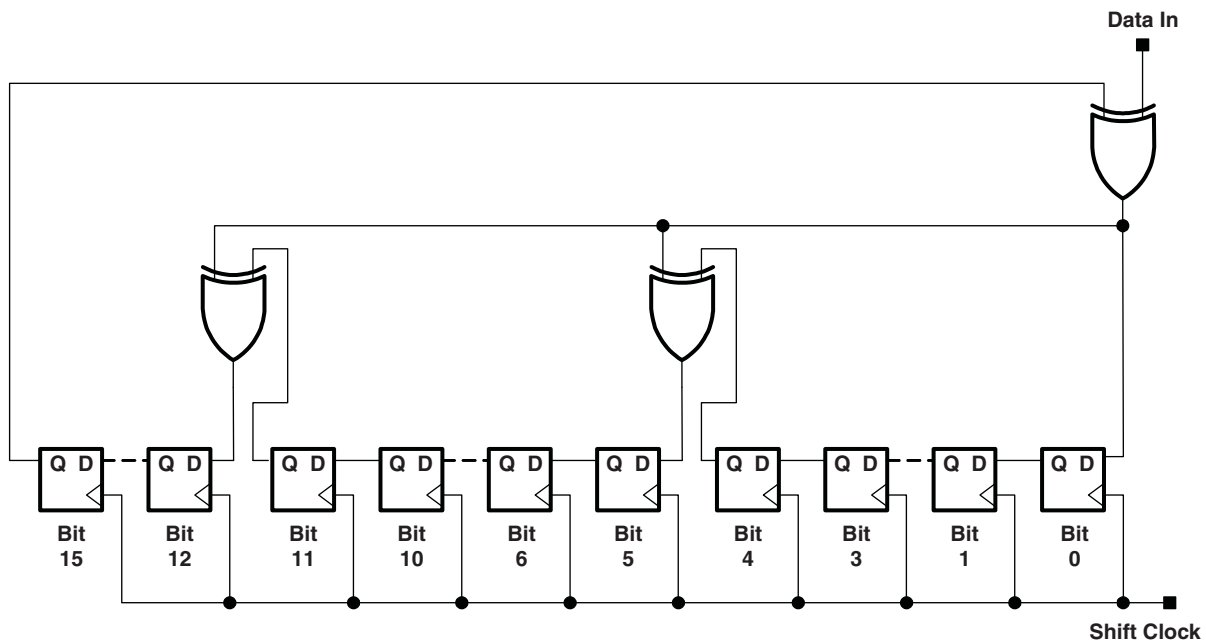


Figure 10-1. LFSR Implementation of CRC-CCITT Standard, Bit 0 is the MSB of the Result

Identical input data sequences result in identical signatures when the CRC is initialized with a fixed seed value, whereas different sequences of input data, in general, result in different signatures.

10.2 CRC Standard and Bit Order

The definitions of the various CRC standards were done in the era of main frame computers, and by convention bit 0 was treated as the MSB. Today, as in most microcontrollers such as the MSP430, bit 0 normally denotes the LSB. In [Figure 10-1](#), the bit convention shown is as given in the original standards i.e. bit 0 is the MSB. The fact that bit 0 is treated for some as LSB, and for others as MSB, continues to cause confusion. The CRC16 module therefore provides a bit reversed register pair for CRC16 operations to support both conventions.

10.3 CRC Checksum Generation

The CRC generator is first initialized by writing a 16-bit word (seed) to the CRC Initialization and Result (CRCINIRES) register. Any data that should be included into the CRC calculation must be written to the CRC Data Input (CRCDI or CRCDIRB) register in the same order that the original CRC signature was calculated. The actual signature can be read from the CRCINIRES register to compare the computed checksum with the expected checksum.

Signature generation describes a method on how the result of a signature operation can be calculated. The calculated signature, which is computed by an external tool, is called checksum in the following text. The checksum is stored in the product's memory and is used to check the correctness of the CRC operation result.

10.3.1 CRC Implementation

To allow parallel processing of the CRC, the linear feedback shift register (LFSR) functionality is implemented with an XOR tree. This implementation shows the identical behavior as the LFSR approach after 8 bits of data are shifted in when the LSB is 'shifted' in first. The generation of a signature calculation has to be started by writing a seed to the CRCINIRES register to initialize the register. Software or hardware (for example, DMA) can transfer data to the CRCDI or CRCDIRB register (for example, from memory). The value in CRCDI or CRCDIRB is then included into the signature, and the result is available in the signature result registers at the next read access (CRCINIRES and CRCRESR). The signature can be generated using word or byte data.

If a word data is processed, the lower byte at the even address is used at the first clock (MCLK) cycle. During the second clock cycle, the higher byte is processed. Thus, it takes two clock cycles to process word data, while it takes only one clock (MCLK) cycle to process byte data.

Data bytes written to CRCDIRB in word mode or the data byte in byte mode are bit-wise reversed before the CRC engine adds them to the signature. The bits among each byte are reversed. Data bytes written to CRCDI in word mode or the data byte in byte mode are not bit reversed before use by the CRC engine.

If the Check Sum itself (with reversed bit order) is included into the CRC operation (as data written to CRCDI or CRCDIRB), the result in the CRCINIRES and CRCRESR registers must be zero.

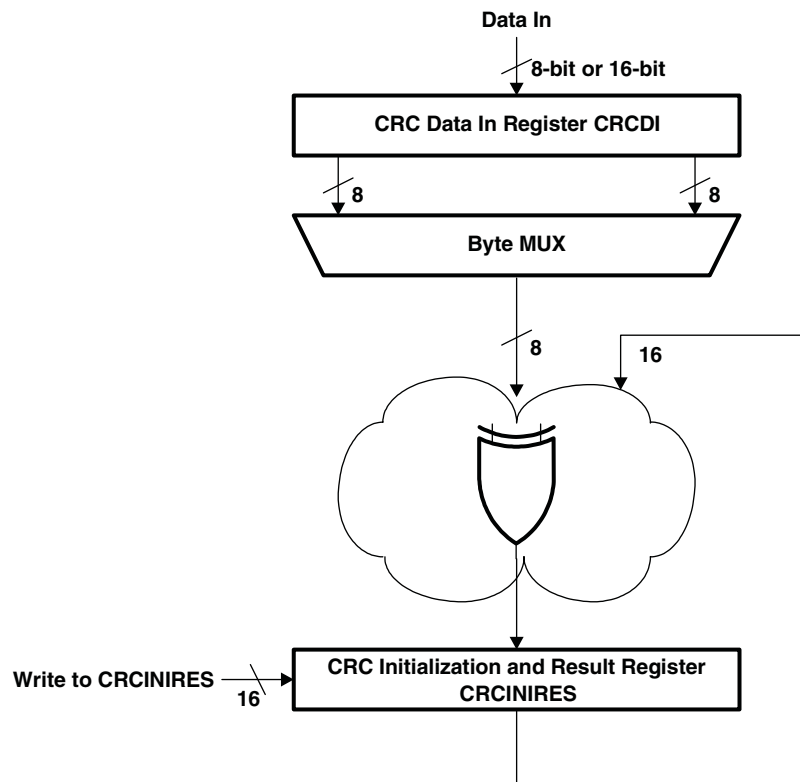


Figure 10-2. Implementation of CRC-CCITT Using the CRCDI and CRCINIRES Registers

10.3.2 Assembler Examples

10.3.2.1 General Assembler Example

This example demonstrates the operation of the on-chip CRC:

```

...
PUSH  R4                ; Save registers
PUSH  R5
MOV   #StartAddress,R4  ; StartAddress < EndAddress
MOV   #EndAddress,R5
MOV   &INIT, &CRCINIRES ; INIT to CRCINIRES
L1 MOV @R4+, &CRCDI     ; Item to Data In register
CMP   R5,R4             ; End address reached?
JLO   L1                ; No
MOV   &Check_Sum, &CRCDI ; Yes, Include checksum
TST   &CRCINIRES        ; Result = 0?
JNZ   CRC_ERROR        ; No, CRCRES <> 0: error
...                      ; Yes, CRCRES=0:
                        ; information ok.
POP   R5                ; Restore registers
POP   R4

```

10.3.2.2 Reference Data Sequence

The details of the implemented CRC algorithm is shown by the following data sequences using word or byte accesses and the CRC data-in as well as the CRC data-in reverse byte registers:

```

...
mov    #0FFFFh,&CRCINIRES ; initialize CRC
mov.b  #00031h,&CRCDI_L   ; "1"
mov.b  #00032h,&CRCDI_L   ; "2"
mov.b  #00033h,&CRCDI_L   ; "3"
mov.b  #00034h,&CRCDI_L   ; "4"
mov.b  #00035h,&CRCDI_L   ; "5"
mov.b  #00036h,&CRCDI_L   ; "6"
mov.b  #00037h,&CRCDI_L   ; "7"
mov.b  #00038h,&CRCDI_L   ; "8"
mov.b  #00039h,&CRCDI_L   ; "9"

cmp    #089F6h,&CRCINIRES ; compare result
                                ; CRCRESR contains 06F91h
jeq    &Success           ; no error
br     &Error             ; to error handler

mov    #0FFFFh,&CRCINIRES ; initialize CRC
mov.w  #03231h,&CRCDI     ; "1" & "2"
mov.w  #03433h,&CRCDI     ; "3" & "4"
mov.w  #03635h,&CRCDI     ; "5" & "6"
mov.w  #03837h,&CRCDI     ; "7" & "8"
mov.b  #039h, &CRCDI_L   ; "9"

cmp    #089F6h,&CRCINIRES ; compare result
                                ; CRCRESR contains 06F91h
jeq    &Success           ; no error
br     &Error             ; to error handler

...
mov    #0FFFFh,&CRCINIRES ; initialize CRC
mov.b  #00031h,&CRCDIRB_L ; "1"
mov.b  #00032h,&CRCDIRB_L ; "2"
mov.b  #00033h,&CRCDIRB_L ; "3"
mov.b  #00034h,&CRCDIRB_L ; "4"
mov.b  #00035h,&CRCDIRB_L ; "5"
mov.b  #00036h,&CRCDIRB_L ; "6"
mov.b  #00037h,&CRCDIRB_L ; "7"
mov.b  #00038h,&CRCDIRB_L ; "8"
mov.b  #00039h,&CRCDIRB_L ; "9"

cmp    #029B1h,&CRCINIRES ; compare result
                                ; CRCRESR contains 08D94h
jeq    &Success           ; no error
br     &Error             ; to error handler

...
mov    #0FFFFh,&CRCINIRES ; initialize CRC
mov.w  #03231h,&CRCDIRB   ; "1" & "2"
mov.w  #03433h,&CRCDIRB   ; "3" & "4"
mov.w  #03635h,&CRCDIRB   ; "5" & "6"
mov.w  #03837h,&CRCDIRB   ; "7" & "8"
mov.b  #039h, &CRCDIRB_L ; "9"

cmp    #029B1h,&CRCINIRES ; compare result
                                ; CRCRESR contains 08D94h
jeq    &Success           ; no error
br     &Error             ; to error handler
    
```

10.4 CRC Registers

The CRC module registers are listed in [Table 10-1](#). The base address can be found in the device-specific data sheet. The address offset is given in [Table 10-1](#).

NOTE: All registers have word or byte register access. For a generic register *ANYREG*, the suffix "_L" (*ANYREG_L*) refers to the lower byte of the register (bits 0 through 7). The suffix "_H" (*ANYREG_H*) refers to the upper byte of the register (bits 8 through 15).

Table 10-1. CRC Registers

Offset	Acronym	Register Name	Type	Access	Reset	Section
0000h	CRCDI	CRC Data In	Read/write	Word	0000h	Section 10.4.1
0000h	CRCDI_L		Read/write	Byte	00h	
0001h	CRCDI_H		Read/write	Byte	00h	
0002h	CRCDIRB	CRC Data In Reverse Byte ⁽¹⁾	Read/write	Word	0000h	Section 10.4.2
0002h	CRCDIRB_L		Read/write	Byte	00h	
0003h	CRCDIRB_H		Read/write	Byte	00h	
0004h	CRCINIRES	CRC Initialization and Result	Read/write	Word	FFFFh	Section 10.4.3
0004h	CRCINIRES_L		Read/write	Byte	FFh	
0005h	CRCINIRES_H		Read/write	Byte	FFh	
0006h	CRCRESR	CRC Result Reverse ⁽¹⁾	Read only	Word	FFFFh	Section 10.4.4
0006h	CRCRESR_L		Read/write	Byte	FFh	
0007h	CRCRESR_H		Read/write	Byte	FFh	

⁽¹⁾ Not available on MSP430F543x and MSP430F541x non-A versions.

10.4.1 CRCDI Register

CRC Data In Register

Figure 10-3. CRCDI Register

15	14	13	12	11	10	9	8
CRCDI							
rw-0	rw-0	rw-0	rw-0	rw-0	rw-0	rw-0	rw-0
7	6	5	4	3	2	1	0
CRCDI							
rw-0	rw-0	rw-0	rw-0	rw-0	rw-0	rw-0	rw-0

Table 10-2. CRCDI Register Description

Bit	Field	Type	Reset	Description
15-0	CRCDI	RW	0h	CRC data in. Data written to the CRCDI register is included to the present signature in the CRCNIREs register according to the CRC-CCITT standard.

10.4.2 CRCDIRB Register

CRC Data In Reverse Register

Figure 10-4. CRCDIRB Register

15	14	13	12	11	10	9	8
CRCDIRB							
rw-0	rw-0	rw-0	rw-0	rw-0	rw-0	rw-0	rw-0
7	6	5	4	3	2	1	0
CRCDIRB							
rw-0	rw-0	rw-0	rw-0	rw-0	rw-0	rw-0	rw-0

Table 10-3. CRCDIRB Register Description

Bit	Field	Type	Reset	Description
15-0	CRCDIRB	RW	0h	CRC data in reverse byte. Data written to the CRCDIRB register is included to the present signature in the CRCNIREs and CRCRESR registers according to the CRC-CCITT standard. Reading the register returns the register CRCDI content.

10.4.3 CRCINIRES Register

CRC Initialization and Result Register

Figure 10-5. CRCINIRES Register

15	14	13	12	11	10	9	8
CRCINIRES							
rw-1	rw-1	rw-1	rw-1	rw-1	rw-1	rw-1	rw-1
7	6	5	4	3	2	1	0
CRCINIRES							
rw-1	rw-1	rw-1	rw-1	rw-1	rw-1	rw-1	rw-1

Table 10-4. CRCINIRES Register Description

Bit	Field	Type	Reset	Description
15-0	CRCINIRES	RW	FFFFh	CRC initialization and result. This register holds the current CRC result (according to the CRC-CCITT standard). Writing to this register initializes the CRC calculation with the value written to it. The value just written can be read from CRCINIRES register.

10.4.4 CRCRESR Register

CRC Reverse Result Register

Figure 10-6. CRCRESR Register

15	14	13	12	11	10	9	8
CRCRESR							
r-1	r-1	r-1	r-1	r-1	r-1	r-1	r-1
7	6	5	4	3	2	1	0
CRCRESR							
r-1	r-1	r-1	r-1	r-1	r-1	r-1	r-1

Table 10-5. CRCRESR Register Description

Bit	Field	Type	Reset	Description
15-0	CRCRESR	R	FFFFh	CRC reverse result. This register holds the current CRC result (according to the CRC-CCITT standard). The order of bits is reversed (for example, CRCINIRES[15] = CRCRESR[0]) compared to the order of bits in the CRCINIRES register (see example code).



AES Accelerator

The AES accelerator module performs AES128 encryption or decryption in hardware. This chapter describes the AES accelerator.

Topic	Page
11.1 AES Accelerator Introduction	376
11.2 AES Accelerator Operation	377
11.3 AES_ACCEL Registers	382

11.1 AES Accelerator Introduction

The AES accelerator module performs encryption and decryption of 128-bit data with 128-bit keys according to the advanced encryption standard (AES) (FIPS PUB 197) in hardware.

The AES accelerator features are:

- Encryption and decryption according to AES FIPS PUB 197 with 128-bit key
- On-the-fly key expansion for encryption and decryption
- Off-line key generation for decryption
- Byte and word access to key, input, and output data
- AES ready interrupt flag

The AES accelerator block diagram is shown in [Figure 11-1](#).

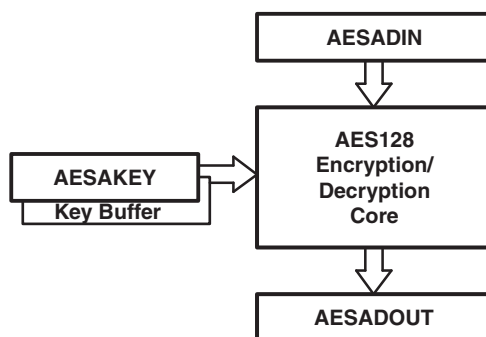


Figure 11-1. AES Accelerator Block Diagram

11.2 AES Accelerator Operation

The AES accelerator is configured with user software. The setup and operation is discussed in the following sections.

Internally, the AES algorithm's operations are performed on a two-dimensional array of bytes called the State. For AES-128, the State consists of four rows of bytes, each containing four bytes. The input is assigned to the State array as illustrated in Figure 11-2, with in[0] being the first data byte written into the AES accelerator data input register, AESADIN. The encrypt or decrypt operations are then conducted on the State array, after which its final values can be read from the output with out[0] being the first data byte read from the AES accelerator data output register, AESADOUT.

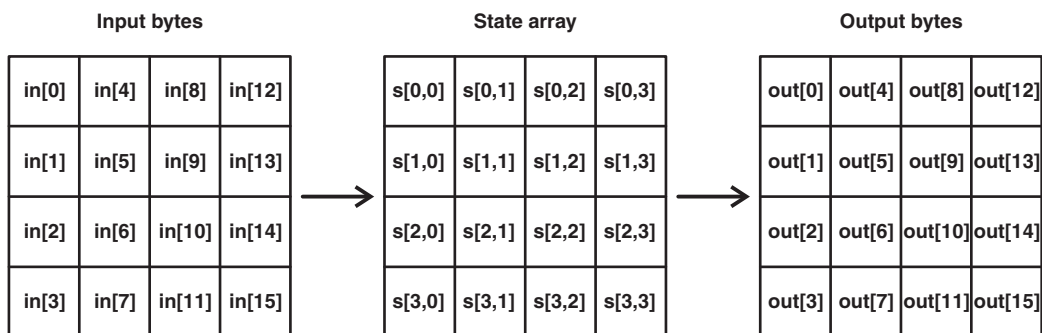


Figure 11-2. AES State Array Input and Output

The module allows word and byte access to all data registers, AESAKEY, AESADIN, and AESADOUT. Word and byte access should not be mixed while reading from or writing into one of the registers. However, it is possible to write one of the registers using byte access and another using word access.

NOTE: Access Restrictions

While the AES accelerator is busy (AESBUSY = 1), AESADOUT always reads as zero, the AESDOUTCNTx counter, the AESDOUTRD flag, and the AESDINWR flag are reset, any attempt to change AESOPx, AESDINWR, or AESKEYWR is ignored, and writing to AESAKEY or AESADIN aborts the current operation, the complete module is reset (except for AESRDYIE and AESOPx), and the AES error flag AESERRFG is set.

AESADIN and AESAKEY are write-only registers and always read as zero.

Writing data into AESADIN influences the content of the corresponding output data; for example, writing in[0] alters out[0], writing in[1] alters out[1], etc., but interleaved operation is possible; for example, first reading out[0], then writing in[0], and continuing with reading out[1], writing in[1], etc.

NOTE: When using a code debugger, the AES module does not stop its operation when program code is halted or single stepped.

11.2.1 Encryption

Figure 11-3 shows the encryption process with the cipher being a series of transformations that converts the plaintext written into the AESADIN register to a ciphertext that can be read from the AESADOUT register using the cipher key provided via the AESAKEY register.

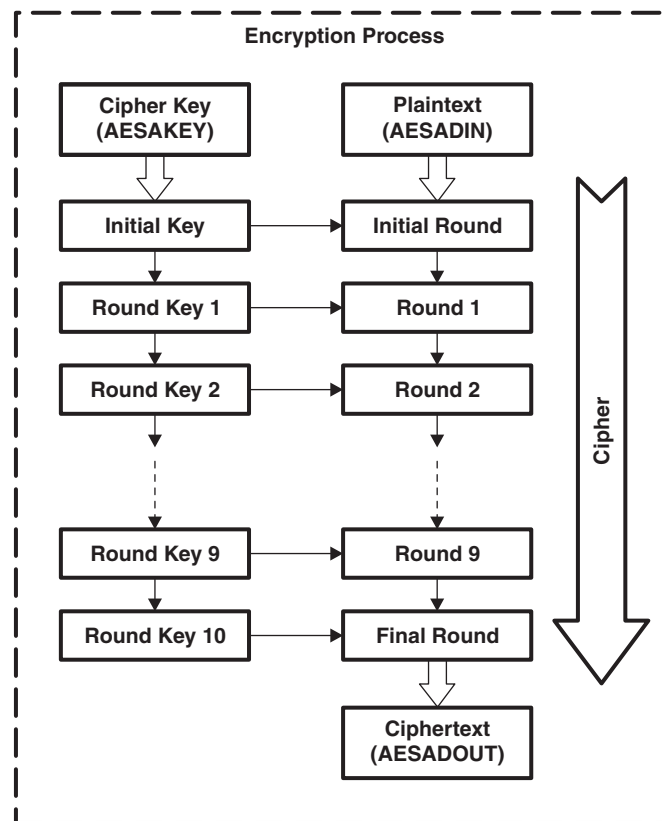


Figure 11-3. AES-128 Encryption Process

The steps to perform encryption are:

1. Set AESOPx = 00 to select encryption. Changing the AESOPx bits clears the AESKEYWR flag, and a new key must be loaded in the next step.
2. Load the 128-bit key into AESAKEY or set the AESKEYWR flag by software, if the key from a previous operation should be used. When all 16 bytes are written, the AESKEYWR flag indicates completion. If a key was loaded previously without changing AESOPx, the AESKEYWR flag is cleared with the first write access to AESAKEY. Loading the key must be completed before the next step is performed.
3. Load 128-bit data into AESADIN, or set the AESDINWR flag by software if the output data from a previous operation should be encrypted. When all 16 bytes are written, the AESDINWR flag indicates completion. The module starts encrypting the presented data when AESDINWR = 1.
4. While the AES module is performing encryption, the AESBUSY bit is 1. The encryption takes 167 MCLK clock cycles. After its completion, the AESRDYIFG is set, and the result can be read from AESADOUT. When all 16 bytes are read, the AESDOUTRD flag indicates completion. The AESRDYIFG flag is cleared when reading AESADOUT or writing to AESAKEY or AESADIN.
5. If additional data should be encrypted with the same key loaded in step 2, new data can be written into AESADIN after the results of the operation on the previous data were read from AESADOUT. When an additional 16 data bytes are written, the module automatically starts the encryption using the key loaded in step 2.

When using the output feedback (OFB) cipher block chaining mode, setting the AESDINWR flag is sufficient to trigger the next encryption, and the module starts the encryption automatically using the output data from the previous encryption as input data.

11.2.2 Decryption

Figure 11-4 shows the decryption process with the inverse cipher being a series of transformations that convert the ciphertext written into the AESADIN register to a plaintext that can be read from the AESADOUT register using the cipher key provided via the AESAKEY register.

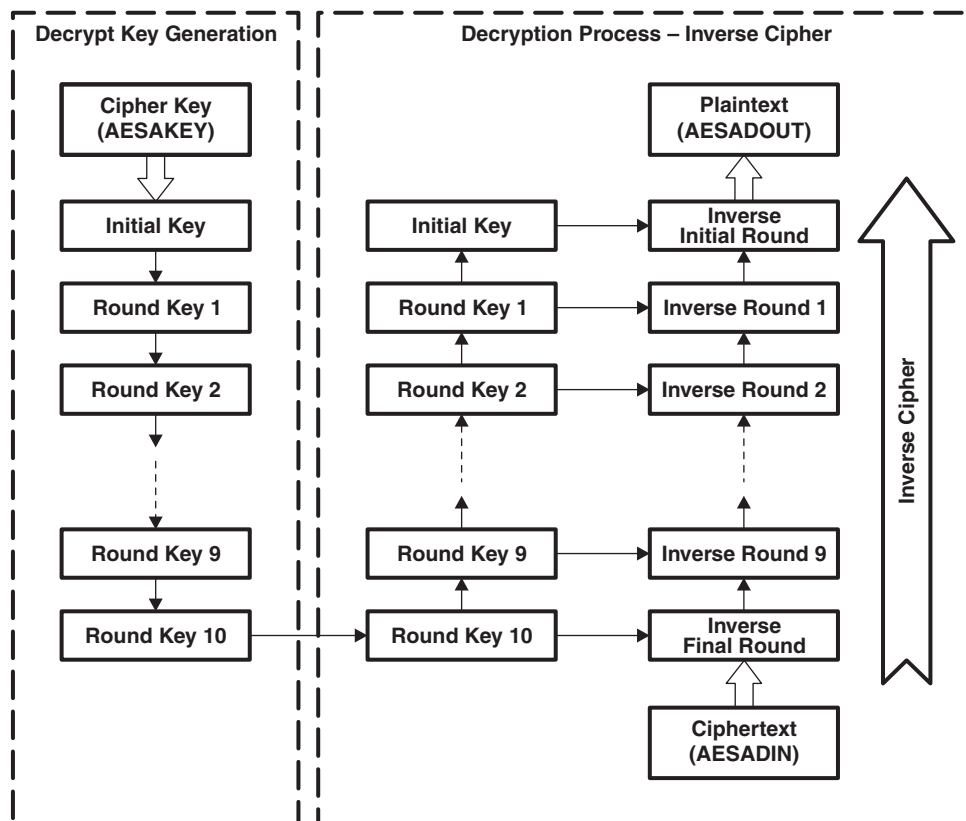


Figure 11-4. AES-128 Decryption Process using AESOPx = 01

The steps to perform decryption are:

1. Set AESOPx = 01 to select decryption using the same key used for encryption. Set AESOPx = 11 if the first-round key required for decryption (round key 10) is already generated and is loaded in step 2. Changing the AESOPx bits clears the AESKEYWR flag, and a new key must be loaded in step 2.
2. Load the 128-bit key into AESAKEY, or set the AESKEYWR flag by software, if the key from a previous operation should be used. When all 16 bytes are written, the AESKEYWR flag indicates completion.

If a key was loaded previously without changing AESOPx, the AESKEYWR flag is cleared with the first write access to AESAKEY. Loading the key must be completed before the next step is performed.

3. Load 128-bit data into AESADIN or set the AESDINWR flag by software if the output data from a previous operation should be decrypted. When all 16 bytes are written, the AESDINWR flag indicates completion. The module starts decrypting the presented data as soon as AESDINWR = 1.
4. While the AES module is performing decryption, the AESBUSY bit is 1. The decryption takes 214 MCLK clock cycles with AESOPx = 01 and 167 MCLK clock cycles with AESOPx = 11. After its completion, the AESRDYIFG is set, and the result can be read from AESADOUT. When all 16 bytes are read the AESDOUTRD flag indicates completion.

The AESRDYIFG flag is cleared when reading AESADOUT or writing to AESAKEY or AESADIN.

5. If additional data should be decrypted with the same key loaded in step 2, new data can be written into AESADIN after the results of the operation on the previous data were read from AESADOUT. When additional 16 data bytes are written, the module automatically starts the decryption using the key loaded in step 2.

11.2.3 Decryption Key Generation

Figure 11-5 shows the decryption process with a pregenerated decryption key. In this case, the decryption key is calculated first with AESOPx = 10, then the precalculated key can be used together with the decryption operation AESOPx = 11.

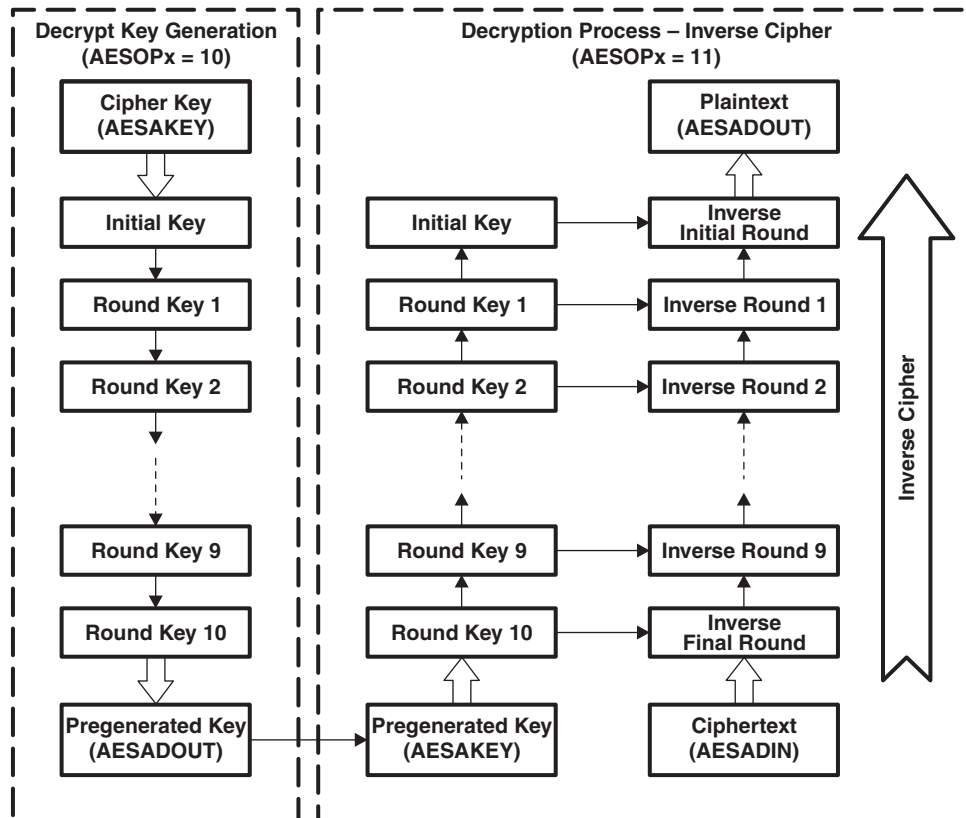


Figure 11-5. AES-128 Decryption Process using AESOPx = 10 and 11

To generate the decryption key independent from the actual decryption, the following steps are required:

1. Set AESOPx = 10 to select decryption key generation. Changing the AESOPx bits clears the AESKEYWR flag, and a new key must be loaded in step 2.
2. Load the 128-bit key into AESAKEY, or set the AESKEYWR flag by software if the key from a previous operation should be used. When all 16 bytes are written, the AESKEYWR flag indicates completion. The generation of the first round key required for decryption is started immediately.
3. While the AES module is performing the key generation, the AESBUSY bit is 1. It takes 52 CPU clock cycles to complete the key generation. After its completion, the AESRDYIFG is set, and the result can be read from AESADOUT. When all 16 bytes are read, the AESDOUTRD flag indicates completion. The AESRDYIFG flag is cleared when reading AESADOUT or writing to AESAKEY or AESADIN.
4. If data should be decrypted with the generated key, AESOPx must be set to 11. Then the generated key must be loaded or, if it was just generated with AESOPx = 10, it is sufficient to set the AESKEYWR flag by software to indicate that the key is already valid. Afterward, the steps described in Section 11.2.2 to load the data, etc., must be followed.

11.2.4 Using the AES Accelerator With Low-Power Modes

The AES accelerator module provides automatic clock activation for MCLK for use with low-power modes. When the AES accelerator is busy, it automatically activates MCLK, regardless of the control-bit settings for the clock source. The clock remains active until the AES accelerator completes its operation.

11.2.5 AES Accelerator Interrupts

The AESRDYIFG interrupt flag is set when the AES module completes the selected operation on the provided data. An interrupt request is generated if AESRDYIE and GIE are also set. AESRDYIFG is automatically reset if the AES interrupt is serviced, if AESADOUT is read, or if AESADIN or AESAKEY are written. AESRDYIFG is reset after a PUC or with AESSWRST = 1. AESRDYIE is reset after a PUC but is not reset by AESSWRST = 1.

11.2.6 Implementing Block Cipher Modes

All block cipher modes can be implemented using the AES accelerator together with software. A separate application report describes the block cipher modes together with their implementation in software.

11.3 AES_ACCEL Registers

The AES Accelerator registers are listed in [Table 11-1](#).

Table 11-1. AES_ACCEL Registers

Offset	Acronym	Register Name	Type	Access	Reset	Section
000h	AESACTL0	AES accelerator control register 0	Read/write	Word	00h	Section 11.3.1
002h	AESACTL1	AES accelerator control register 1	Read/write	Word	00h	Section 11.3.2
004h	AESASTAT	AES accelerator status register	Read only	Word	00h	Section 11.3.3
006h	AESAKEY	AES accelerator key register	Read/write	Word	00h	Section 11.3.4
008h	AESADIN	AES accelerator data in register	Read/write	Word	00h	Section 11.3.5
00Ah	AESADOUT	AES accelerator data out register	Read/write	Word	00h	Section 11.3.6
00Ch	AESAXDIN	AES accelerator XORed data in register	Read/write	Word	00h	Section 11.3.7
00Eh	AESAXIN	AES accelerator XORed data in register (no trigger)	Read/write	Word	00h	Section 11.3.8

11.3.1 AESACTL0 Register

AES accelerator control register 0

AESACTL0 is shown in [Figure 11-6](#) and described in [Table 11-2](#).

Figure 11-6. AESACTL0 Register

15	14	13	12	11	10	9	8
AESCMEN	Reserved		AESRDYIE	AESERRFG	Reserved		AESRDYIFG
rw-0	r0	r0	rw-0	rw-0	r0	r0	rw-0
7	6	5	4	3	2	1	0
AESSWRST	AESCMx		Reserved	AESKLx		AESOPx	
rw-0	r0	r0	r0	rw-0	rw-0	rw-0	rw-0

Writes are ignored when AESCMEN = 1 and AESBLKCNTx > 0.

Table 11-2. AESACTL0 Register Description

Bit	Field	Type	Reset	Description
15	AESCMEN	RW	0h	AESCMEN enables the support of the ciphermodes ECB, CBC, OFB and CFB together with the DMA. Writes are ignored when AESCMEN = 1 and AESBLKCNTx > 0. 0 = No DMA triggers are generated 1 = DMA ciphermode support operation is enabled and the corresponding DMA triggers are generated.
14-13	Reserved	R	0h	Reserved
12	AESRDYIE	RW	0h	AES ready interrupt enable. AESRDYIE is not reset by AESSWRST = 1. 0 = Interrupt disabled 1 = Interrupt enabled
11	AESERRFG	RW	0h	AES error flag. AESAKEY or AESADIN were written while an AES operation was in progress. The bit must be cleared by software. 0 = No error 1 = Error occurred
10-9	Reserved	R	0h	Reserved
8	AESRDYIFG	RW	0h	AES ready interrupt flag. Set when the selected AES operation was completed and the result can be read from AESADOUT. Automatically cleared when AESADOUT is read or AESAKEY or AESADIN is written. 0 = No interrupt pending 1 = Interrupt pending
7	AESSWRST	RW	0h	AES software reset. Immediately resets the complete AES accelerator module even when busy except for the AESRDYIE, the AESKLx and the AESOPx bits. It also clears the (internal) state memory. The AESSWRST bit is automatically reset and is always read as zero. 0 = No reset 1 = Reset AES accelerator module
6-5	AESCMx	R	0h	AES cipher mode select. These bits are ignored for AESCMEN=0. Writes are ignored when AESCMEN = 1 and AESBLKCNTx > 0. 00 = ECB 01 = CBC 10 = OFB 11 = CFB
4	Reserved	R	0h	Reserved

Table 11-2. AESACTL0 Register Description (continued)

Bit	Field	Type	Reset	Description
3-2	AESKLx	RW	0h	AES key length. These bits define which of the 3 AES standards is performed. The AESKLx bits are not reset by AESSWRST = 1. Writes are ignored when AESCMEN = 1 and AESBLKCNTx > 0. 00 = AES128. The keysize is 128 bit. 01 = AES192. The keysize is 192 bit. 10 = AES256. The keysize is 256 bit. 11 = Reserved
1-0	AESOPx	RW	0h	AES operation. The AESOPx bits are not reset by AESSWRST = 1. Writes are ignored when AESCMEN = 1 and AESBLKCNTx > 0. 00 = Encryption 01 = Decryption. The provided key is the same key used for encryption. 10 = Generate first round key required for decryption. 11 = Decryption. The provided key is the first round key required for decryption.

11.3.2 AESACTL1 Register

AES Accelerator Control Register 1

AESACTL1 is shown in [Figure 11-7](#) and described in [Table 11-3](#).

Figure 11-7. AESACTL1 Register

15	14	13	12	11	10	9	8
Reserved							
r0	r0	r0	r0	r0	r0	r0	r0
7	6	5	4	3	2	1	0
AESBLKCNTx							
rw-0	rw-0	rw-0	rw-0	rw-0	rw-0	rw-0	rw-0

Writes are ignored when AESCMEN = 1 and AESBLKCNTx > 0.

Table 11-3. AESACTL1 Register Description

Bit	Field	Type	Reset	Description
15-8	Reserved	R	0	Reserved. Always reads 0.
7-0	AESBLKCNTx	RW	0	Cipher Block Counter. Number of blocks to be encrypted or decrypted with block cipher modes enabled (AESCMEN=1). Ignored if AESCMEN=0. The block counter decrements with each performed encryption or decryption. Writes are ignored when AESCMEN = 1 and AESBLKCNTx > 0.

11.3.3 AESASTAT Register

AES Accelerator Status Register

AESASTAT is shown in [Figure 11-8](#) and described in [Table 11-4](#).

Figure 11-8. AESASTAT Register

15	14	13	12	11	10	9	8
AESDOUTCNTx				AESDINCNTx			
r-0	r-0	r-0	r-0	r-0	r-0	r-0	r-0
7	6	5	4	3	2	1	0
AESKEYCNTx				AESDOUTRD	AESDINWR	AEKEYWR	AESBUSY
r-0	r-0	r-0	r-0	r-0	rw-0	rw-0	r-0

Table 11-4. AESASTAT Register Description

Bit	Field	Type	Reset	Description
15-12	AESDOUTCNTx	R	0h	Bytes read via AESADOUT. Reset when AESDOUTRD is reset. If AESDOUTCNTx = 0 and AESDOUTRD = 0, no bytes were read. If AESDOUTCNTx = 0 and AESDOUTRD = 1, all bytes were read.
11-8	AESDINCNTx	R	0h	Bytes written via AESADIN, AESAXDIN or AESAXIN. Reset when AESDINWR is reset. If AESDINCNTx = 0 and AESDINWR = 0, no bytes were written. If AESDINCNTx = 0 and AESDINWR = 1, all bytes were written.
7-4	AESKEYCNTx	R	0h	Bytes written via AESAKEY for AESKLx=00, words written via AESAKEY if AESKLx=01,10,11. Reset when AESKEYWR is reset. If AESKEYCNTx = 0 and AESKEYWR = 0, no bytes were written. If AESKEYCNTx = 0 and AESKEYWR = 1, all bytes were written.
3	AESDOUTRD	R	0h	All 16 bytes read from AESADOUT. AESDOUTRD is reset by PUC, AESSWRST, an error condition, changing AESOPx, changing AESKLx, when the AES accelerator is busy, and when the output data is read again. 0 = Not all bytes read 1 = All bytes read
2	AESDINWR	RW	0h	All 16 bytes written to AESADIN, AESAXDIN or AESAXIN. This bit can be modified by software only if AESCMEN=0. Changing its state by software also resets the AESDINCNTx bits. AESDINWR is reset by PUC, AESSWRST, an error condition, changing AESOPx, changing AESKLx, the start to (over)write the data, and when the AES accelerator is busy. Because it is reset when AESOPx or AESKLx is changed it can be set by software again to indicate that the current data is still valid. 0 = Not all bytes written 1 = All bytes written
1	AESKEYWR	RW	0h	All 16 bytes written to AESAKEY. This bit can be modified by software but it must not be reset by software (1→0) if AESCMEN=1. Changing its state by software also resets the AESKEYCNTx bits. AESKEYWR is reset by PUC, AESSWRST, an error condition, changing AESOPx, changing AESKLx, and the start to (over)write a new key. Because it is reset when AESOPx is changed it can be set by software again to indicate that the loaded key is still valid. 0 = Not all bytes written 1 = All bytes written
0	AESBUSY	R	0h	AES accelerator module busy; encryption, decryption, or key generation in progress. 0 = Not busy 1 = Busy

11.3.4 AESAKEY Register

AES Accelerator Key Register

AESAKEY is shown in [Figure 11-9](#) and described in [Table 11-5](#).

Figure 11-9. AESAKEY Register

15	14	13	12	11	10	9	8
AESKEY1x (Key Byte n+1)							
w-0	w-0	w-0	w-0	w-0	w-0	w-0	w-0
7	6	5	4	3	2	1	0
AESKEY0x (Key Byte n)							
w-0	w-0	w-0	w-0	w-0	w-0	w-0	w-0

Table 11-5. AESAKEY Register Description

Bit	Field	Type	Reset	Description
15-8	AESKEY1x	W	0	<p>AES key byte n+1 when AESAKEY is written as word. Do not use these bits for byte access. Do not mix word and byte access. Always reads as zero. The key is reset by PUC or by AESSWRST = 1.</p>
7-0	AESKEY0x	W	0	<p>AES key byte n when AESAKEY is written as word. AES next key byte when AESAKEY_L is written as byte. Do not mix word and byte access. Always reads as zero. The key is reset by PUC or by AESSWRST = 1.</p>

11.3.5 AESADIN Register

AES Accelerator Data In Register

AESADIN is shown in [Figure 11-10](#) and described in [Table 11-6](#).

Figure 11-10. AESADIN Register

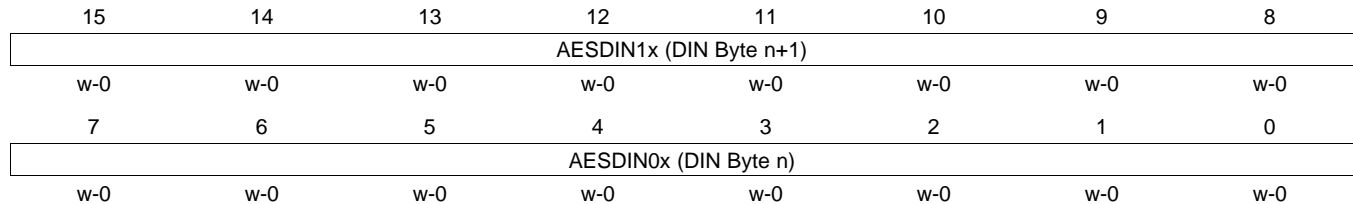


Table 11-6. AESADIN Register Description

Bit	Field	Type	Reset	Description
15-8	AESDIN1x	W	0	AES data in byte n+1 when AESADIN is written as word. Do not use these bits for byte access. Do not mix word and byte access. Always reads as zero.
7-0	AESDIN0x	W	0	AES data in byte n when AESADIN is written as word. AES next data in byte when AESADIN_L is written as byte. Do not mix word and byte access. Always reads as zero.

11.3.6 AESADOUT Register

AES Accelerator Data Out Register

AESADOUT is shown in [Figure 11-11](#) and described in [Table 11-7](#).

Figure 11-11. AESADOUT Register

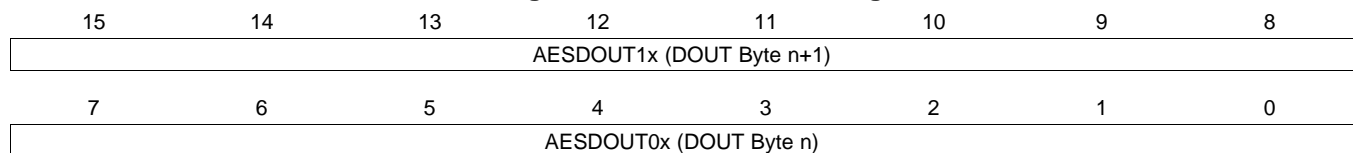


Table 11-7. AESADOUT Register Description

Bit	Field	Type	Reset	Description
15-8	AESDOUT1x	R	0	AES data out byte n+1 when AESADOUT is read as word. Do not use these bits for byte access. Do not mix word and byte access.
7-0	AESDOUT0x	R	0	AES data out byte n when AESADOUT is read as word. AES next data out byte when AESADOUT_L is read as byte. Do not mix word and byte access.

11.3.7 AESAXDIN Register

AES accelerator XORed data in register

AESAXDIN is shown in [Figure 11-12](#) and described in [Table 11-8](#).

Figure 11-12. AESAXDIN Register

15	14	13	12	11	10	9	8
AESXDIN1x (XDIN Byte n+1)							
w-0	w-0	w-0	w-0	w-0	w-0	w-0	w-0
7	6	5	4	3	2	1	0
AESXDIN0x (XDIN Byte n)							
w-0	w-0	w-0	w-0	w-0	w-0	w-0	w-0

Table 11-8. AESAXDIN Register Description

Bit	Field	Type	Reset	Description
15-8	AESXDIN1x	W	0	AES data in byte n+1 when AESAXDIN is written as word. Do not use these bits for byte access. Do not mix word and byte access. Always reads as zero.
7-0	AESXDIN0x	W	0	AES data in byte n when AESAXDIN is written as word. AES next data in byte when AESAXDIN_L is written as byte. Do not mix word and byte access. Always reads as zero.

11.3.8 AESAXIN Register

AES accelerator XORed data in register (no trigger)

AESAXIN is shown in [Figure 11-13](#) and described in [Table 11-9](#).

Figure 11-13. AESAXIN Register

15	14	13	12	11	10	9	8
AESXIN1x (DIN Byte n+1)							
w-0	w-0	w-0	w-0	w-0	w-0	w-0	w-0
7	6	5	4	3	2	1	0
AESXIN0x (DIN Byte n)							
w-0	w-0	w-0	w-0	w-0	w-0	w-0	w-0

Table 11-9. AESAXIN Register Description

Bit	Field	Type	Reset	Description
15-8	AESXIN1x	W	0	AES data in byte n+1 when AESAXIN is written as word. Do not use these bits for byte access. Do not mix word and byte access. Always reads as zero.
7-0	AESXIN0x	W	0	AES data in byte n when AESAXIN is written as word. AES next data in byte when AESAXIN_L is written as byte. Do not mix word and byte access. Always reads as zero.



Watchdog Timer (WDT_A)

The watchdog timer is a 32-bit timer that can be used as a watchdog or as an interval timer. This chapter describes the watchdog timer. The enhanced watchdog timer, WDT_A, is implemented in all devices.

Topic	Page
12.1 WDT_A Introduction	390
12.2 WDT_A Operation	392
12.3 WDT_A Registers	394

12.1 WDT_A Introduction

The primary function of the watchdog timer (WDT_A) module is to perform a controlled system restart after a software problem occurs. If the selected time interval expires, a system reset is generated. If the watchdog function is not needed in an application, the module can be configured as an interval timer and can generate interrupts at selected time intervals.

Features of the watchdog timer module include:

- Eight software-selectable time intervals
- Watchdog mode
- Interval mode
- Password-protected access to Watchdog Timer Control (WDTCTL) register
- Selectable clock source
- Can be stopped to conserve power
- Clock fail-safe feature

The watchdog timer block diagram is shown in [Figure 12-1](#).

NOTE: Watchdog timer powers up active.

After a PUC, the WDT_A module is automatically configured in the watchdog mode with an initial ~32-ms reset interval using the SMCLK. The user must setup or halt the WDT_A prior to the expiration of the initial reset interval.

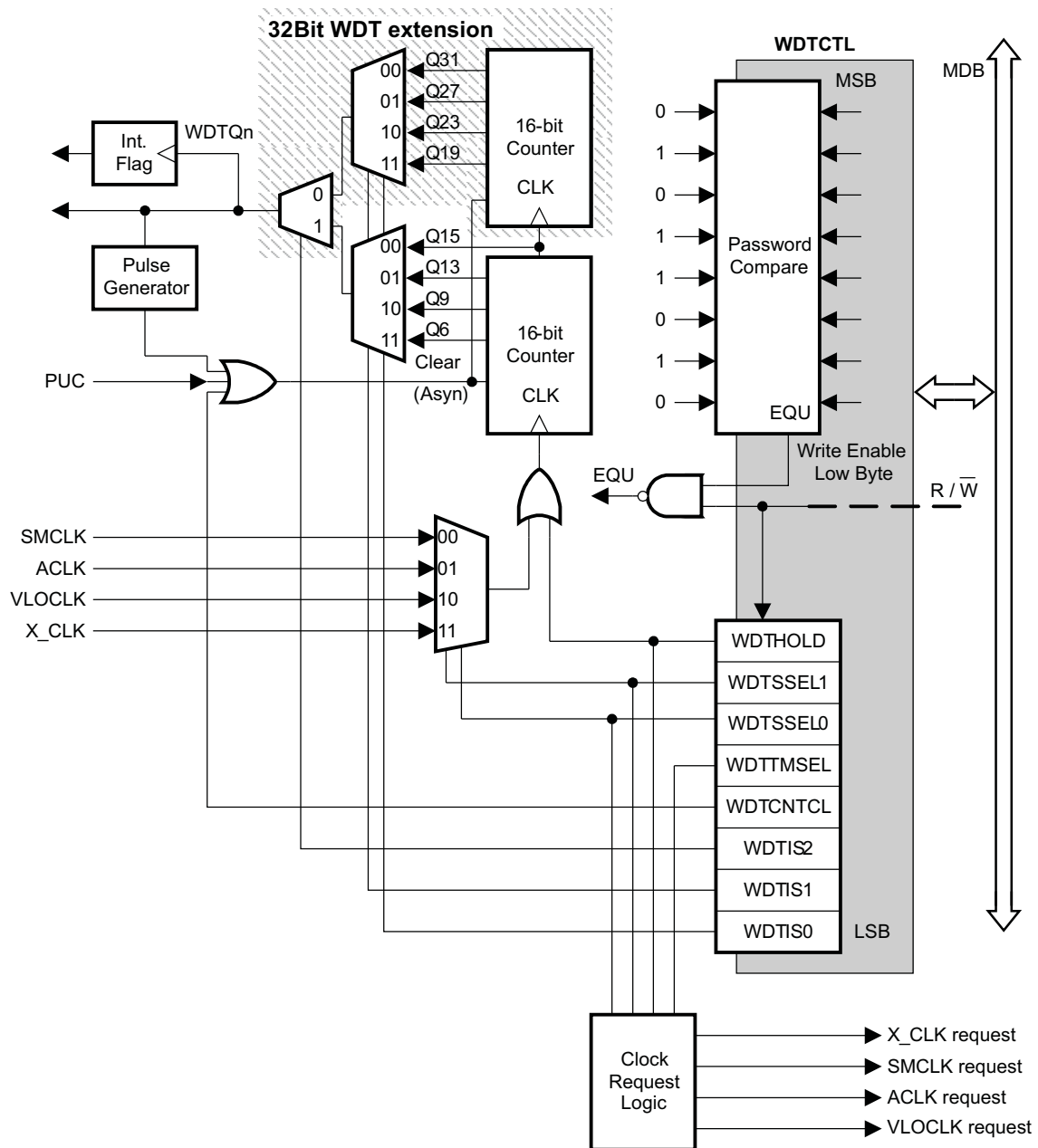


Figure 12-1. Watchdog Timer Block Diagram

12.2 WDT_A Operation

The watchdog timer module can be configured as either a watchdog or interval timer with the WDTCTL register. WDTCTL is a 16-bit password-protected read/write register. Any read or write access must use word instructions and write accesses must include the write password 05Ah in the upper byte. Any write to WDTCTL with any value other than 05Ah in the upper byte is a password violation and triggers a PUC system reset, regardless of timer mode. Any read of WDTCTL reads 069h in the upper byte. Byte reads on WDTCTL high or low part result in the value of the low byte. Writing byte wide to upper or lower parts of WDTCTL results in a PUC.

12.2.1 Watchdog Timer Counter (WDTCNT)

The WDTCNT is a 32-bit up counter that is not directly accessible by software. The WDTCNT is controlled and its time intervals are selected through the Watchdog Timer Control (WDTCTL) register. The WDTCNT can be sourced from SMCLK, ACLK, VLOCLK, or X_CLK on some devices. The clock source is selected with the WDTSSSEL bits. The timer interval is selected with the WDTIS bits.

12.2.2 Watchdog Mode

After a PUC condition, the WDT module is configured in the watchdog mode with an initial ~32-ms reset interval using the SMCLK. The user must setup, halt, or clear the watchdog timer prior to the expiration of the initial reset interval or another PUC is generated. When the watchdog timer is configured to operate in watchdog mode, either writing to WDTCTL with an incorrect password, or expiration of the selected time interval triggers a PUC. A PUC resets the watchdog timer to its default condition.

12.2.3 Interval Timer Mode

Setting the WDTTMSSEL bit to 1 selects the interval timer mode. This mode can be used to provide periodic interrupts. In interval timer mode, the WDTIFG flag is set at the expiration of the selected time interval. A PUC is not generated in interval timer mode at expiration of the selected timer interval, and the WDTIFG enable bit WDTIE remains unchanged.

When the WDTIE bit and the GIE bit are set, the WDTIFG flag requests an interrupt. The WDTIFG interrupt flag is automatically reset when its interrupt request is serviced, or it may be reset by software. The interrupt vector address in interval timer mode is different from that in watchdog mode.

NOTE: Modifying the watchdog timer

The watchdog timer interval should be changed together with WDTCNTCL = 1 in a single instruction to avoid an unexpected immediate PUC or interrupt. The watchdog timer should be halted before changing the clock source to avoid a possible incorrect interval.

12.2.4 Watchdog Timer Interrupts

The watchdog timer uses two bits in the SFRs for interrupt control:

- WDT interrupt flag, WDTIFG, located in SFRIFG1.0
- WDT interrupt enable, WDTIE, located in SFRIE1.0

When using the watchdog timer in the watchdog mode, the WDTIFG flag sources a reset vector interrupt. The WDTIFG will self clear upon a watchdog timeout event. The SYSRSTIV can be read to determine if the reset was caused by a watchdog timeout event.

When using the watchdog timer in interval timer mode, the WDTIFG flag is set after the selected time interval and requests a watchdog timer interval timer interrupt if the WDTIE and the GIE bits are set. The interval timer interrupt vector is different from the reset vector used in watchdog mode. In interval timer mode, the WDTIFG flag is reset automatically when the interrupt is serviced, or can be reset with software.

12.2.5 Clock Fail-Safe Feature

The WDT_A provides a fail-safe clocking feature, ensuring the clock to the WDT_A cannot be disabled while in watchdog mode. This means that the low-power modes may be affected by the choice for the WDT_A clock.

If SMCLK or ACLK fails as the WDT_A clock source, VLOCLK is automatically selected as the WDT_A clock source.

When the WDT_A module is used in interval timer mode, there is no fail-safe feature within WDT_A for the clock source.

12.2.6 Operation in Low-Power Modes

The devices have several low-power modes. Different clock signals are available in different low-power modes. The requirements of the application and the type of clocking that is used determine how the WDT_A should be configured. For example, the WDT_A should not be configured in watchdog mode with a clock source that is originally sourced from DCO, XT1 in high-frequency mode, or XT2 via SMCLK or ACLK, if the user wants to use low-power mode 3. In this case, SMCLK or ACLK would remain enabled, increasing the current consumption of LPM3. When the watchdog timer is not required, the WDT_HOLD bit can be used to hold the WDT_CNT, reducing power consumption.

12.2.7 Software Examples

Any write operation to WDT_CTL must be a word operation with 05Ah (WDT_PW) in the upper byte:

```

; Periodically clear an active watchdog
MOV #WDT_PW+WDT_IS2+WDT_IS1+WDT_CNTCL,&WDT_CTL
;
; Change watchdog timer interval
MOV #WDT_PW+WDT_CNTCL+SSEL,&WDT_CTL
;
; Stop the watchdog
MOV #WDT_PW+WDT_HOLD,&WDT_CTL
;
; Change WDT to interval timer mode, clock/8192 interval
MOV #WDT_PW+WDT_CNTCL+WDT_TMSEL+WDT_IS2+WDT_IS0,&WDT_CTL

```

12.3 WDT_A Registers

The watchdog timer module registers are listed in [Table 12-1](#). The base address for the watchdog timer module registers and special function registers (SFRs) can be found in device-specific data sheets. The address offset is given in [Table 12-1](#).

NOTE: All registers have word or byte register access. For a generic register *ANYREG*, the suffix "_L" (*ANYREG_L*) refers to the lower byte of the register (bits 0 through 7). The suffix "_H" (*ANYREG_H*) refers to the upper byte of the register (bits 8 through 15).

Table 12-1. WDT_A Registers

Offset	Acronym	Register Name	Type	Access	Reset	Section
0Ch	WDTCTL	Watchdog Timer Control	Read/write	Word	6904h	Section 12.3.1
0Ch	WDTCTL_L		Read/write	Byte	04h	
0Dh	WDTCTL_H		Read/write	Byte	69h	

12.3.1 WDTCTL Register

Watchdog Timer Control Register

Figure 12-2. WDTCTL Register

15	14	13	12	11	10	9	8
WDTPW							
7	6	5	4	3	2	1	0
WDTHOLD	WDTSSSEL		WDTTMSSEL	WDCNTCL	WDTIS		
rw-0	rw-0	rw-0	rw-0	r0(w)	rw-1	rw-0	rw-0

Table 12-2. WDTCTL Register Description

Bit	Field	Type	Reset	Description
15-8	WDTPW	RW	69h	Watchdog timer password. Always read as 069h. Must be written as 5Ah; if any other value is written, a PUC is generated.
7	WDTHOLD	RW	0h	Watchdog timer hold. This bit stops the watchdog timer. Setting WDTHOLD = 1 when the WDT is not in use conserves power. 0b = Watchdog timer is not stopped. 1b = Watchdog timer is stopped.
6-5	WDTSSSEL	RW	0h	Watchdog timer clock source select 00b = SMCLK 01b = ACLK 10b = VLOCLK 11b = X_CLK; VLOCLK in devices that do not support X_CLK
4	WDTTMSSEL	RW	0h	Watchdog timer mode select 0b = Watchdog mode 1b = Interval timer mode
3	WDCNTCL	RW	0h	Watchdog timer counter clear. Setting WDCNTCL = 1 clears the count value to 0000h. WDCNTCL is automatically reset. 0b = No action 1b = WDCNT = 0000h
2-0	WDTIS	RW	4h	Watchdog timer interval select. These bits select the watchdog timer interval to set the WDTIFG flag and/or generate a PUC. 000b = Watchdog clock source / (2^{31}) (18h:12m:16s at 32.768 kHz) 001b = Watchdog clock source / (2^{27}) (01h:08m:16s at 32.768 kHz) 010b = Watchdog clock source / (2^{23}) (00h:04m:16s at 32.768 kHz) 011b = Watchdog clock source / (2^{19}) (00h:00m:16s at 32.768 kHz) 100b = Watchdog clock source / (2^{15}) (1 s at 32.768 kHz) 101b = Watchdog clock source / (2^{13}) (250 ms at 32.768 kHz) 110b = Watchdog clock source / (2^9) (15.625 ms at 32.768 kHz) 111b = Watchdog clock source / (2^6) (1.95 ms at 32.768 kHz)



Timer_A

Timer_A is a 16-bit timer/counter with multiple capture/compare registers. There can be multiple Timer_A modules on a given device (see the device-specific data sheet). This chapter describes the operation and use of the Timer_A module.

Topic	Page
13.1 Timer_A Introduction	397
13.2 Timer_A Operation	399
13.3 Timer_A Registers	411

13.1 Timer_A Introduction

Timer_A is a 16-bit timer/counter with up to seven capture/compare registers. Timer_A can support multiple capture/compares, PWM outputs, and interval timing. Timer_A also has extensive interrupt capabilities. Interrupts may be generated from the counter on overflow conditions and from each of the capture/compare registers.

Timer_A features include:

- Asynchronous 16-bit timer/counter with four operating modes
- Selectable and configurable clock source
- Up to seven configurable capture/compare registers
- Configurable outputs with pulse width modulation (PWM) capability
- Asynchronous input and output latching
- Interrupt vector register for fast decoding of all Timer_A interrupts

The block diagram of Timer_A is shown in [Figure 13-1](#).

NOTE: Use of the word *count*

Count is used throughout this chapter. It means the counter must be in the process of counting for the action to take place. If a particular value is directly written to the counter, an associated action does not take place.

NOTE: Nomenclature

There may be multiple instantiations of Timer_A on a given device. The prefix TAX is used, where x is a greater than equal to zero indicating the Timer_A instantiation. For devices with one instantiation, x = 0. The suffix n, where n = 0 to 6, represents the specific capture/compare registers associated with the Timer_A instantiation.

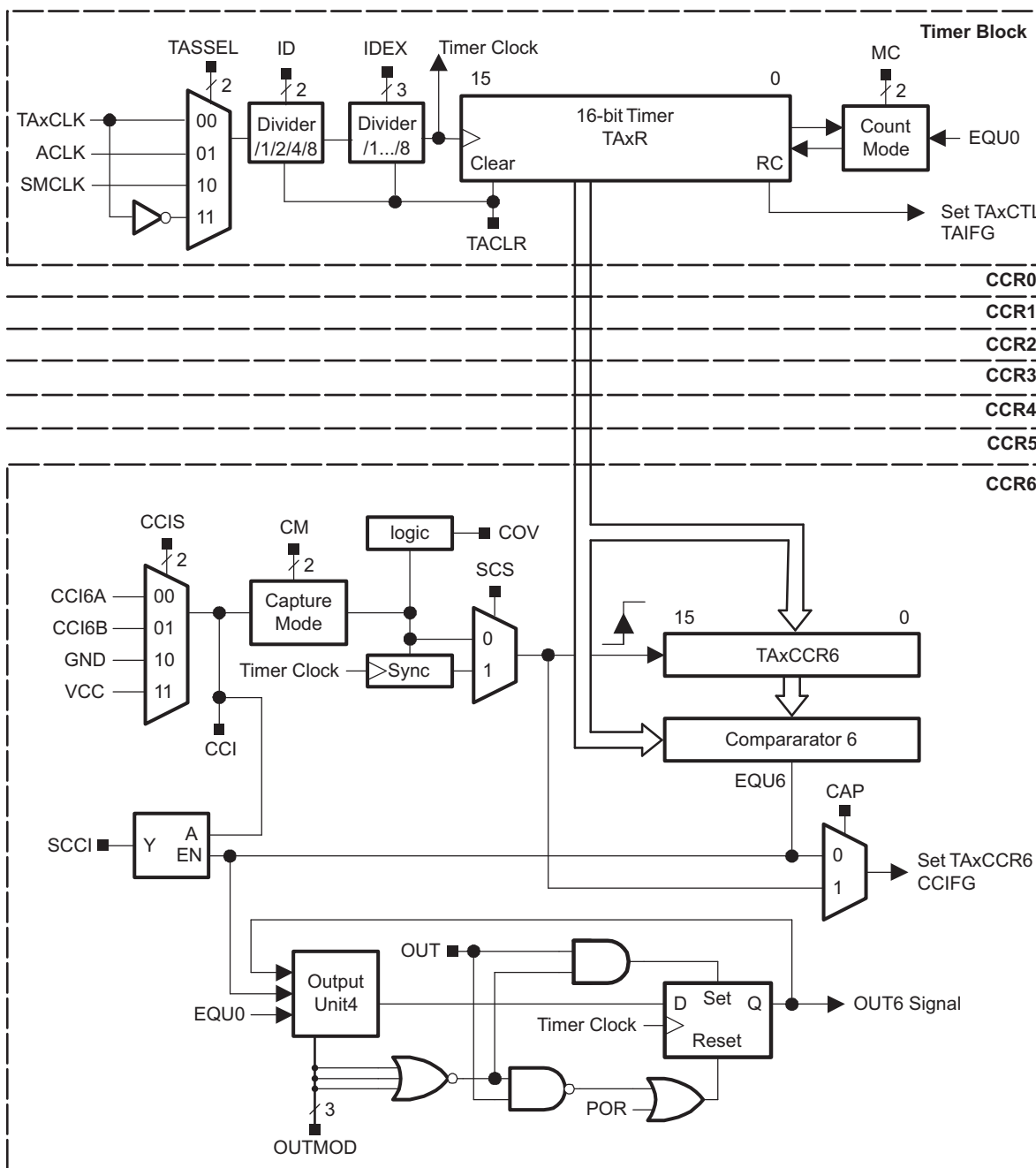


Figure 13-1. Timer_A Block Diagram

13.2 Timer_A Operation

The Timer_A module is configured with user software. The setup and operation of Timer_A are discussed in the following sections.

13.2.1 16-Bit Timer Counter

The 16-bit timer/counter register, TAXR, increments or decrements (depending on mode of operation) with each rising edge of the clock signal. TAXR can be read or written with software. Additionally, the timer can generate an interrupt when it overflows.

TAXR may be cleared by setting the TACLRL bit. Setting TACLRL also clears the clock divider and count direction for up/down mode.

NOTE: Modifying Timer_A registers

It is recommended to stop the timer before modifying its operation (with exception of the interrupt enable, interrupt flag, and TACLRL) to avoid errant operating conditions.

When the timer clock is asynchronous to the CPU clock, any read from TAXR should occur while the timer is not operating or the results may be unpredictable. Alternatively, the timer may be read multiple times while operating, and a majority vote taken in software to determine the correct reading. Any write to TAXR takes effect immediately.

13.2.1.1 Clock Source Select and Divider

The timer clock can be sourced from ACLK, SMCLK, or externally via TAXCLK. The clock source is selected with the TASSEL bits. The selected clock source may be passed directly to the timer or divided by 2, 4, or 8, using the ID bits. The selected clock source can be further divided by 2, 3, 4, 5, 6, 7, or 8 using the TAIDEX bits. The timer clock divider logic is reset when TACLRL is set.

NOTE: Timer_A dividers

After programming ID or TAIDEX bits, set the TACLRL bit. This clears the contents of TAXR and resets the clock divider logic to a defined state. The clock dividers are implemented as down counters. Therefore, when the TACLRL bit is cleared, the timer clock immediately begins clocking at the first rising edge of the Timer_A clock source selected with the TASSEL bits and continues clocking at the divider settings set by the ID and TAIDEX bits.

13.2.2 Starting the Timer

The timer may be started or restarted in the following ways:

- The timer counts when $MC > \{ 0 \}$ and the clock source is active.
- When the timer mode is either up or up/down, the timer may be stopped by writing 0 to TAXCCR0. The timer may then be restarted by writing a nonzero value to TAXCCR0. In this scenario, the timer starts incrementing in the up direction from zero.

13.2.3 Timer Mode Control

The timer has four modes of operation: stop, up, continuous, and up/down (see [Table 13-1](#)). The operating mode is selected with the MC bits.

Table 13-1. Timer Modes

MC	Mode	Description
00	Stop	The timer is halted.
01	Up	The timer repeatedly counts from zero to the value of TAxCCR0
10	Continuous	The timer repeatedly counts from zero to 0FFFFh.
11	Up/down	The timer repeatedly counts from zero up to the value of TAxCCR0 and back down to zero.

13.2.3.1 Up Mode

The up mode is used if the timer period must be different from 0FFFFh counts. The timer repeatedly counts up to the value of compare register TAxCCR0, which defines the period (see [Figure 13-2](#)). The number of timer counts in the period is TAxCCR0 + 1. When the timer value equals TAxCCR0, the timer restarts counting from zero. If up mode is selected when the timer value is greater than TAxCCR0, the timer immediately restarts counting from zero.

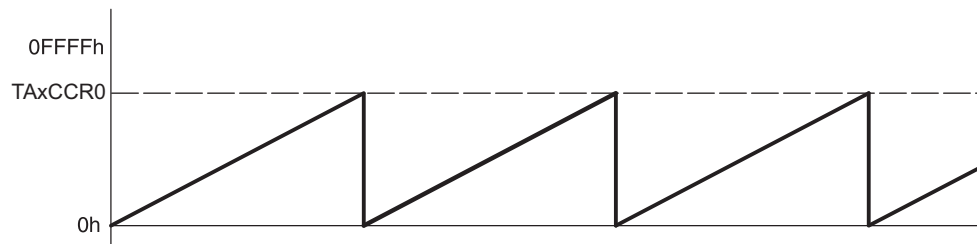


Figure 13-2. Up Mode

The TAxCCR0 CCIFG interrupt flag is set when the timer *counts* to the TAxCCR0 value. The TAIFG interrupt flag is set when the timer *counts* from TAxCCR0 to zero. [Figure 13-3](#) shows the flag set cycle.

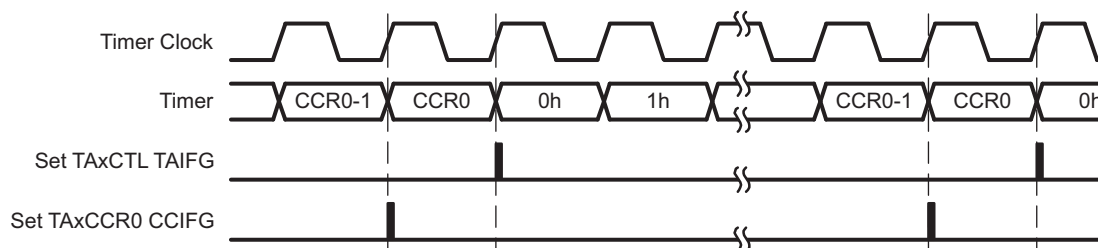


Figure 13-3. Up Mode Flag Setting

Changing Period Register TAxCCR0

When changing TAxCCR0 while the timer is running, if the new period is greater than or equal to the old period or greater than the current count value, the timer counts up to the new period. If the new period is less than the current count value, the timer rolls to zero. However, one additional count may occur before the counter rolls to zero.

13.2.3.2 Continuous Mode

In the continuous mode, the timer repeatedly counts up to 0FFFFh and restarts from zero as shown in Figure 13-4. The capture/compare register TA_xCCR0 works the same way as the other capture/compare registers.

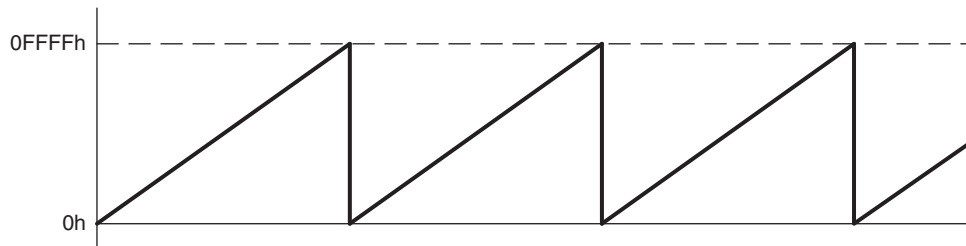


Figure 13-4. Continuous Mode

The TAIFG interrupt flag is set when the timer counts from 0FFFFh to zero. Figure 13-5 shows the flag set cycle.

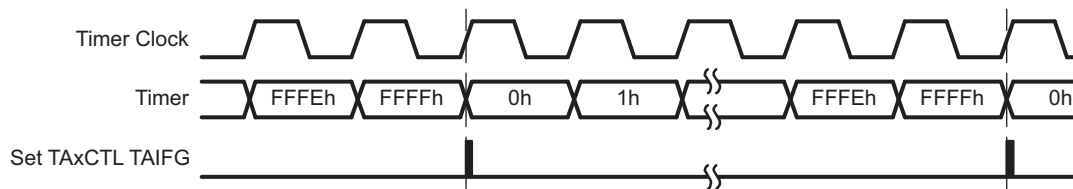


Figure 13-5. Continuous Mode Flag Setting

13.2.3.3 Use of Continuous Mode

The continuous mode can be used to generate independent time intervals and output frequencies. Each time an interval is completed, an interrupt is generated. The next time interval is added to the TA_xCCR_n register in the interrupt service routine. Figure 13-6 shows two separate time intervals, t_0 and t_1 , being added to the capture/compare registers. In this usage, the time interval is controlled by hardware, not software, without impact from interrupt latency. Up to n (where $n = 0$ to 6), independent time intervals or output frequencies can be generated using capture/compare registers.

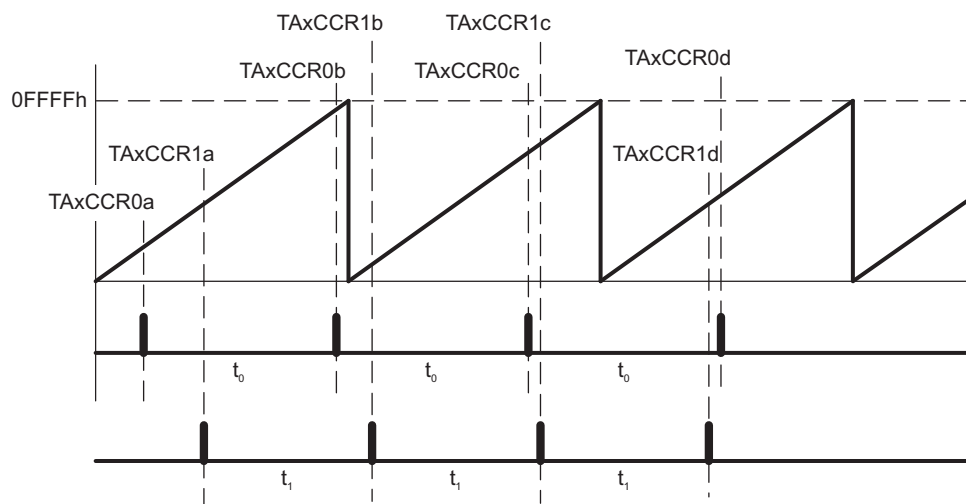


Figure 13-6. Continuous Mode Time Intervals

Time intervals can be produced with other modes as well, where TAxCCR0 is used as the period register. Their handling is more complex since the sum of the old TAxCCRn data and the new period can be higher than the TAxCCR0 value. When the previous TAxCCRn value plus t_x is greater than the TAxCCR0 data, the TAxCCR0 value must be subtracted to obtain the correct time interval.

13.2.3.4 Up/Down Mode

The up/down mode is used if the timer period must be different from 0FFFFh counts, and if symmetrical pulse generation is needed. The timer repeatedly counts up to the value of compare register TAxCCR0 and back down to zero (see Figure 13-7). The period is twice the value in TAxCCR0.

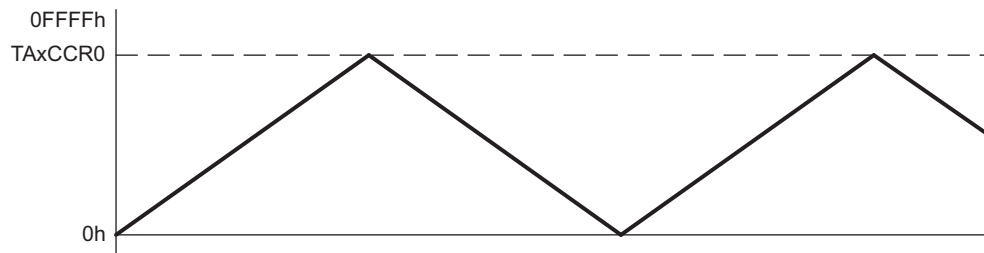


Figure 13-7. Up/Down Mode

The count direction is latched. This allows the timer to be stopped and then restarted in the same direction it was counting before it was stopped. If this is not desired, the TACLRL bit must be set to clear the direction. The TACLRL bit also clears the TAxR value and the timer clock divider.

In up/down mode, the TAxCCR0 CCIFG interrupt flag and the TAIFG interrupt flag are set only once during a period, separated by one-half the timer period. The TAxCCR0 CCIFG interrupt flag is set when the timer *counts* from TAxCCR0-1 to TAxCCR0, and TAIFG is set when the timer completes *counting* down from 0001h to 0000h. Figure 13-8 shows the flag set cycle.

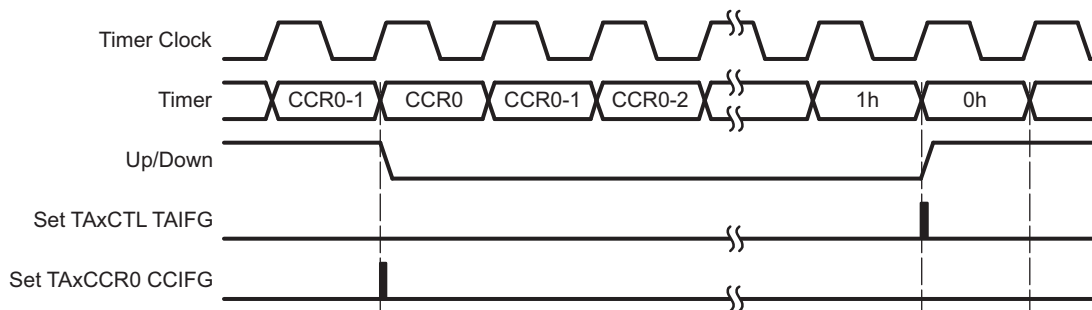


Figure 13-8. Up/Down Mode Flag Setting

Changing Period Register TAxCCR0

When changing TAxCCR0 while the timer is running and counting in the down direction, the timer continues its descent until it reaches zero. The new period takes effect after the counter counts down to zero.

When the timer is counting in the up direction, and the new period is greater than or equal to the old period or greater than the current count value, the timer counts up to the new period before counting down. When the timer is counting in the up direction and the new period is less than the current count value, the timer begins counting down. However, one additional count may occur before the counter begins counting down.

13.2.3.5 Use of Up/Down Mode

The up/down mode supports applications that require dead times between output signals (see section *Timer_A Output Unit*). For example, to avoid overload conditions, two outputs driving an H-bridge must never be in a high state simultaneously. In the example shown in Figure 13-9, the t_{dead} is:

$$t_{dead} = t_{timer} \times (TAxCCR1 - TAxCCR2)$$

Where:

- t_{dead} = Time during which both outputs need to be inactive
- t_{timer} = Cycle time of the timer clock
- TAxCCRn = Content of capture/compare register n

The TAxCCRn registers are not buffered. They update immediately when written to. Therefore, any required dead time is not maintained automatically.

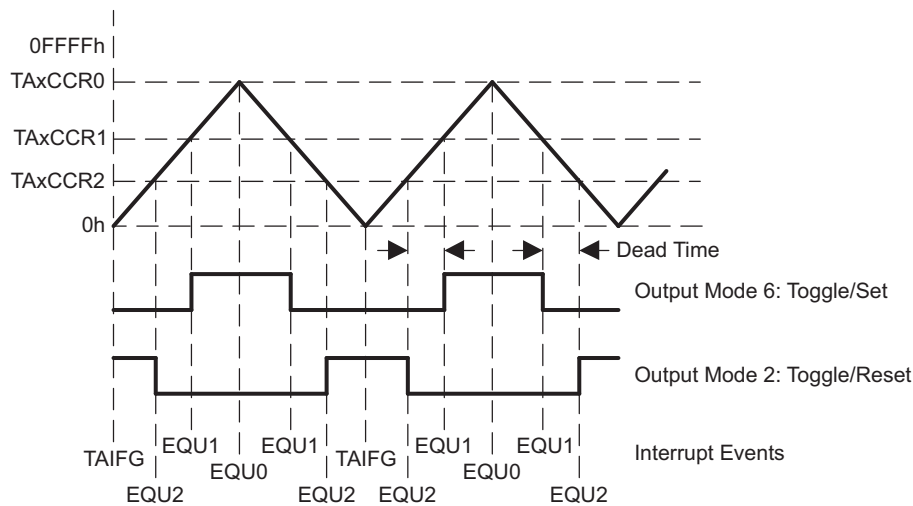


Figure 13-9. Output Unit in Up/Down Mode

13.2.4 Capture/Compare Blocks

Up to seven identical capture/compare blocks, TAxCCRn (where n = 0 to 7), are present in Timer_A. Any of the blocks may be used to capture the timer data or to generate time intervals.

13.2.4.1 Capture Mode

The capture mode is selected when CAP = 1. Capture mode is used to record time events. It can be used for speed computations or time measurements. The capture inputs CCIxA and CCIxB are connected to external pins or internal signals and are selected with the CCIS bits. The CM bits select the capture edge of the input signal as rising, falling, or both. A capture occurs on the selected edge of the input signal. If a capture occurs:

- The timer value is copied into the TAxCCRn register.
- The interrupt flag CCIFG is set.

The input signal level can be read at any time via the CCI bit. Devices may have different signals connected to CCIxA and CCIxB. See the device-specific data sheet for the connections of these signals.

The capture signal can be asynchronous to the timer clock and cause a race condition. Setting the SCS bit synchronizes the capture with the next timer clock. Setting the SCS bit to synchronize the capture signal with the timer clock is recommended (see Figure 13-10).

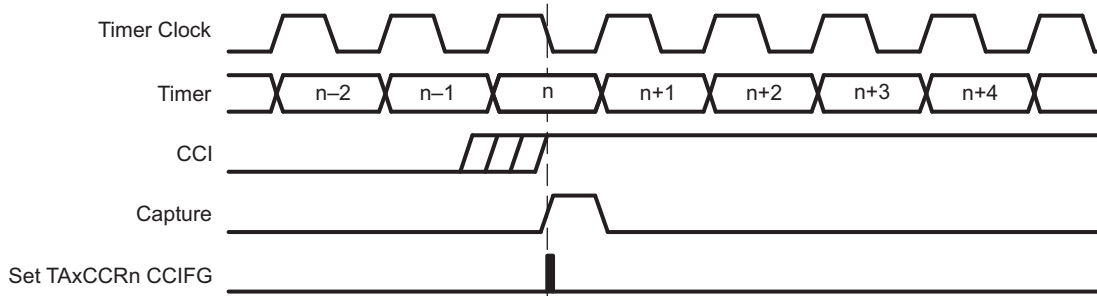


Figure 13-10. Capture Signal (SCS = 1)

NOTE: Changing Capture Inputs

Changing capture inputs while in capture mode may cause unintended capture events. To avoid this scenario, capture inputs should only be changed when capture mode is disabled (CM = {0} or CAP = 0).

Overflow logic is provided in each capture/compare register to indicate if a second capture was performed before the value from the first capture was read. Bit COV is set when this occurs as shown in [Figure 13-11](#). COV must be reset with software.

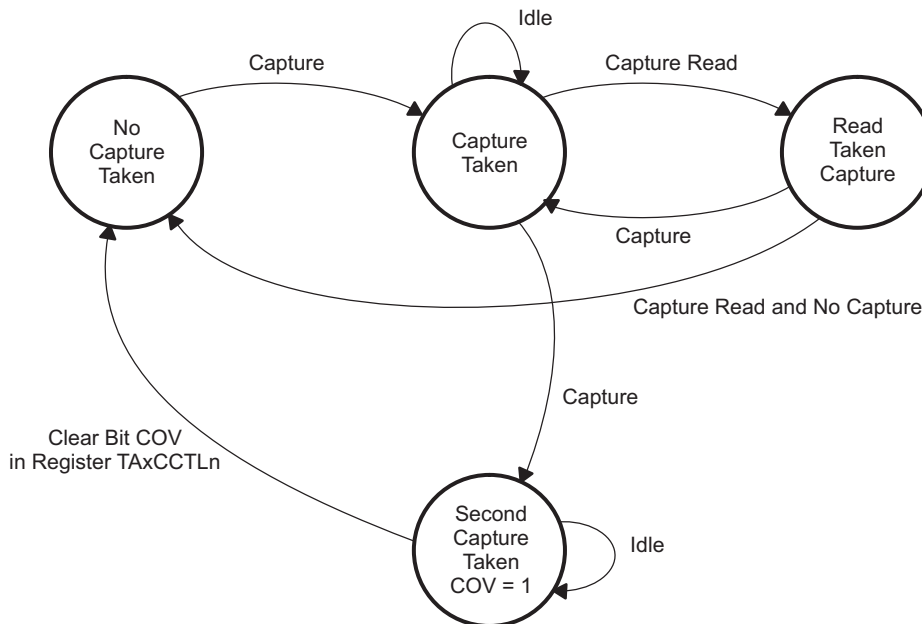


Figure 13-11. Capture Cycle

Capture Initiated by Software

Captures can be initiated by software. The CMx bits can be set for capture on both edges. Software then sets CCIS1 = 1 and toggles bit CCIS0 to switch the capture signal between V_{CC} and GND, initiating a capture each time CCIS0 changes state:

```
MOV  #CAP+SCS+CCIS1+CM_3,&TA0CCTL1 ; Setup TA0CCTL1, synch. capture mode
                                     ; Event trigger on both edges of capture input.
XOR  #CCIS0,&TA0CCTL1               ; TA0CCR1 = TA0R
```

NOTE: Capture Initiated by Software

In general, changing capture inputs while in capture mode may cause unintended capture events. For this scenario, switching the capture input between VCC and GND, disabling the capture mode is not required.

13.2.4.2 Compare Mode

The compare mode is selected when CAP = 0. The compare mode is used to generate PWM output signals or interrupts at specific time intervals. When TAXR *counts* to the value in a TAXCCRn, where n represents the specific capture/compare register.

- Interrupt flag CCIFG is set.
- Internal signal EQU_n = 1.
- EQU_n affects the output according to the output mode.
- The input signal CCI is latched into SCCI.

13.2.5 Output Unit

Each capture/compare block contains an output unit. The output unit is used to generate output signals, such as PWM signals. Each output unit has eight operating modes that generate signals based on the EQU0 and EQU_n signals.

13.2.5.1 Output Modes

The output modes are defined by the OUTMOD bits and are described in [Table 13-2](#). The OUT_n signal is changed with the rising edge of the timer clock for all modes except mode 0. Output modes 2, 3, 6, and 7 are not useful for output unit 0 because EQU_n = EQU0.

Table 13-2. Output Modes

OUTMODx	Mode	Description
000	Output	The output signal OUT _n is defined by the OUT bit. The OUT _n signal updates immediately when OUT is updated.
001	Set	The output is set when the timer <i>counts</i> to the TAXCCRn value. It remains set until a reset of the timer, or until another output mode is selected and affects the output.
010	Toggle/Reset	The output is toggled when the timer <i>counts</i> to the TAXCCRn value. It is reset when the timer <i>counts</i> to the TAXCCR0 value.
011	Set/Reset	The output is set when the timer <i>counts</i> to the TAXCCRn value. It is reset when the timer <i>counts</i> to the TAXCCR0 value.
100	Toggle	The output is toggled when the timer <i>counts</i> to the TAXCCRn value. The output period is double the timer period.
101	Reset	The output is reset when the timer <i>counts</i> to the TAXCCRn value. It remains reset until another output mode is selected and affects the output.
110	Toggle/Set	The output is toggled when the timer <i>counts</i> to the TAXCCRn value. It is set when the timer <i>counts</i> to the TAXCCR0 value.
111	Reset/Set	The output is reset when the timer <i>counts</i> to the TAXCCRn value. It is set when the timer <i>counts</i> to the TAXCCR0 value.

Output Example—Timer in Up Mode

The OUTn signal is changed when the timer *counts* up to the TAxCCRn value and rolls from TAxCCR0 to zero, depending on the output mode. An example is shown in [Figure 13-12](#) using TAxCCR0 and TAxCCR1.

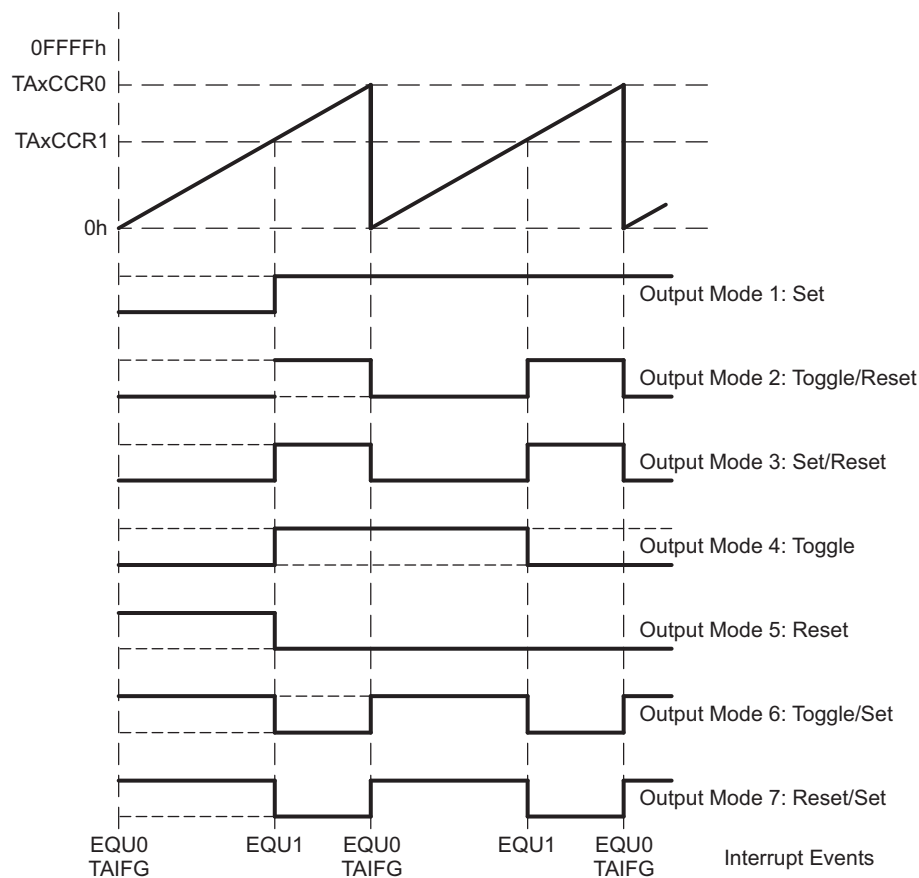


Figure 13-12. Output Example – Timer in Up Mode

Output Example – Timer in Continuous Mode

The OUTn signal is changed when the timer reaches the TAxCCRn and TAxCCR0 values, depending on the output mode. An example is shown in Figure 13-13 using TAxCCR0 and TAxCCR1.

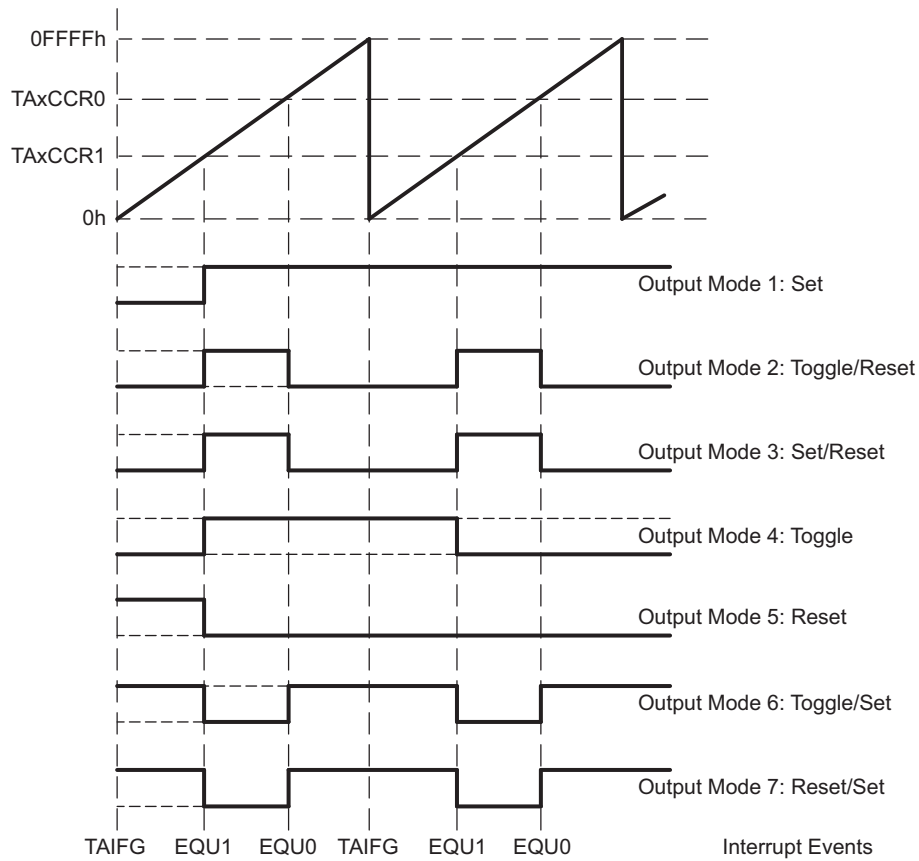


Figure 13-13. Output Example – Timer in Continuous Mode

Output Example – Timer in Up/Down Mode

The OUTn signal changes when the timer equals TAxCCRn in either count direction and when the timer equals TAxCCR0, depending on the output mode. An example is shown in Figure 13-14 using TAxCCR0 and TAxCCR2.

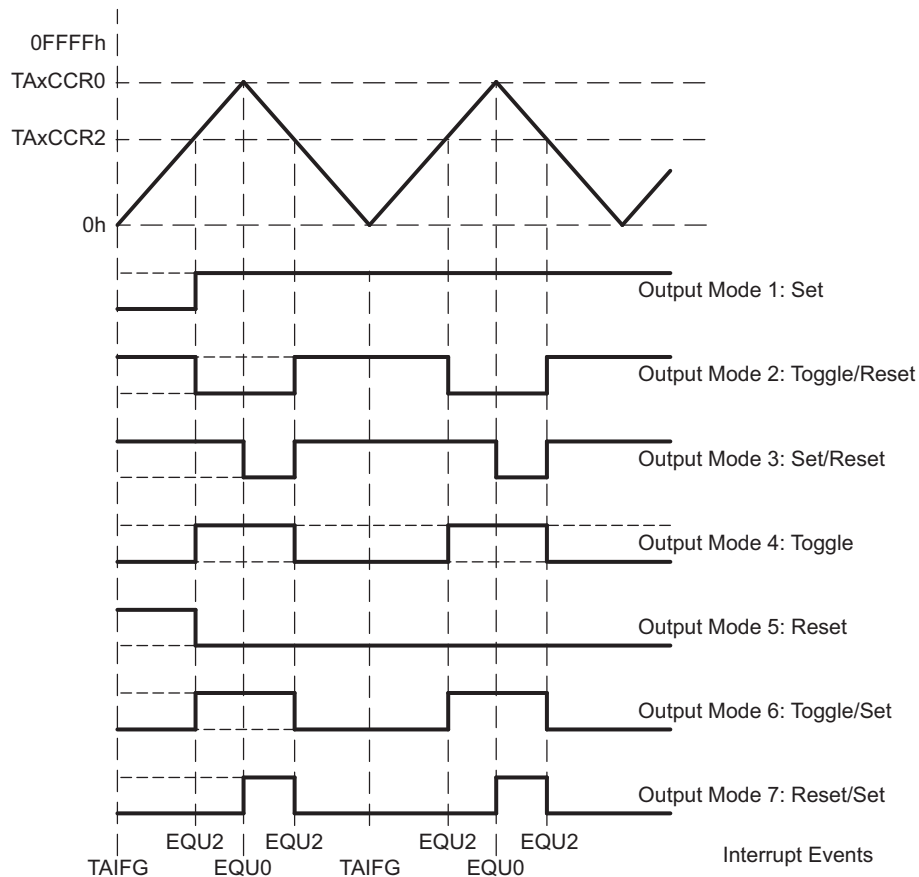


Figure 13-14. Output Example – Timer in Up/Down Mode

NOTE: Switching between output modes

When switching between output modes, one of the OUTMOD bits should remain set during the transition, unless switching to mode 0. Otherwise, output glitching can occur, because a NOR gate decodes output mode 0. A safe method for switching between output modes is to use output mode 7 as a transition state:

```
BIS  #OUTMOD_7,&TA0CCTL1      ; Set output mode=7
BIC  #OUTMOD,&TA0CCTL1       ; Clear unwanted bits
```


13.2.6 Timer_A Interrupts

Two interrupt vectors are associated with the 16-bit Timer_A module:

- TAxCCR0 interrupt vector for TAxCCR0 CCIFG
- TAxIV interrupt vector for all other CCIFG flags and TAIFG

In capture mode, any CCIFG flag is set when a timer value is captured in the associated TAxCCRn register. In compare mode, any CCIFG flag is set if TAxR *counts* to the associated TAxCCRn value. Software may also set or clear any CCIFG flag. All CCIFG flags request an interrupt when their corresponding CCIE bit and the GIE bit are set.

13.2.6.1 TAxCCR0 Interrupt

The TAxCCR0 CCIFG flag has the highest Timer_A interrupt priority and has a dedicated interrupt vector as shown in Figure 13-15. The TAxCCR0 CCIFG flag is automatically reset when the TAxCCR0 interrupt request is serviced.

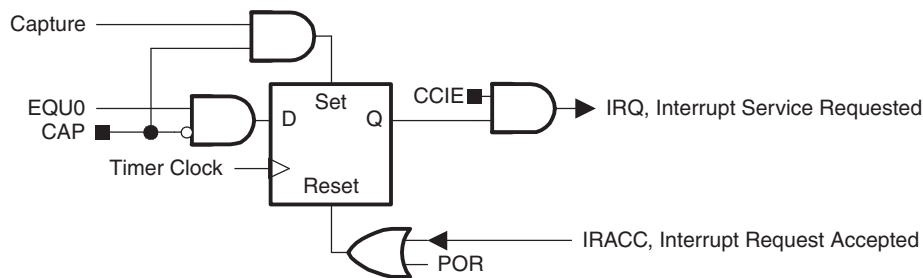


Figure 13-15. Capture/Compare TAxCCR0 Interrupt Flag

13.2.6.2 TAxIV, Interrupt Vector Generator

The TAxCCRy CCIFG flags and TAIFG flags are prioritized and combined to source a single interrupt vector. The interrupt vector register TAxIV is used to determine which flag requested an interrupt.

The highest-priority enabled interrupt generates a number in the TAxIV register (see register description). This number can be evaluated or added to the program counter to automatically enter the appropriate software routine. Disabled Timer_A interrupts do not affect the TAxIV value.

Any access, read or write, of the TAxIV register automatically resets the highest-pending interrupt flag. If another interrupt flag is set, another interrupt is immediately generated after servicing the initial interrupt. For example, if the TAxCCR1 and TAxCCR2 CCIFG flags are set when the interrupt service routine accesses the TAxIV register, TAxCCR1 CCIFG is reset automatically. After the RETI instruction of the interrupt service routine is executed, the TAxCCR2 CCIFG flag generates another interrupt.

TAxIV Software Example

The following software example shows the recommended use of TAxIV and the handling overhead. The TAxIV value is added to the PC to automatically jump to the appropriate routine. The example assumes a single instantiation of the largest timer configuration available.

The numbers at the right margin show the necessary CPU cycles for each instruction. The software overhead for different interrupt sources includes interrupt latency and return-from-interrupt cycles, but not the task handling itself. The latencies are:

- Capture/compare block TA0CCR0: 11 cycles
- Capture/compare blocks TA0CCR1, TA0CCR2, TA0CCR3, TA0CCR4, TA0CCR5, TA0CCR6: 16 cycles
- Timer overflow TA0IFG: 14 cycles

```

; Interrupt handler for TA0CCR0 CCIFG.
CCIFG_0_HND
;          ...          ; Start of handler Interrupt latency    6
;          RETI          ;                                     5

; Interrupt handler for TA0IFG, TA0CCR1 through TA0CCR6 CCIFG.

TA0_HND    ...          ; Interrupt latency                    6
;          ADD    &TA0IV,PC ; Add offset to Jump table      3
;          RETI    ; Vector 0: No interrupt                    5
;          JMP    CCIFG_1_HND ; Vector 2: TA0CCR1                2
;          JMP    CCIFG_2_HND ; Vector 4: TA0CCR2                2
;          JMP    CCIFG_3_HND ; Vector 6: TA0CCR3                2
;          JMP    CCIFG_4_HND ; Vector 8: TA0CCR4                2
;          JMP    CCIFG_5_HND ; Vector 10: TA0CCR5               2
;          JMP    CCIFG_6_HND ; Vector 12: TA0CCR6               2

TA0IFG_HND ; Vector 14: TA0IFG Flag
;          ...          ; Task starts here
;          RETI          ;                                     5

CCIFG_6_HND ; Vector 12: TA0CCR6
;          ...          ; Task starts here
;          RETI          ; Back to main program                    5

CCIFG_5_HND ; Vector 10: TA0CCR5
;          ...          ; Task starts here
;          RETI          ; Back to main program                    5

CCIFG_4_HND ; Vector 8: TA0CCR4
;          ...          ; Task starts here
;          RETI          ; Back to main program                    5

CCIFG_3_HND ; Vector 6: TA0CCR3
;          ...          ; Task starts here
;          RETI          ; Back to main program                    5

CCIFG_2_HND ; Vector 4: TA0CCR2
;          ...          ; Task starts here
;          RETI          ; Back to main program                    5

CCIFG_1_HND ; Vector 2: TA0CCR1
;          ...          ; Task starts here
;          RETI          ; Back to main program                    5

```

13.3 Timer_A Registers

Timer_A registers are listed in [Table 13-3](#) for the largest configuration available. The base address can be found in the device-specific data sheet.

Table 13-3. Timer_A Registers

Offset	Acronym	Register Name	Type	Access	Reset	Section
00h	TAxCTL	Timer_Ax Control	Read/write	Word	0000h	Section 13.3.1
02h	TAxCTL0	Timer_Ax Capture/Compare Control 0	Read/write	Word	0000h	Section 13.3.3
04h	TAxCTL1	Timer_Ax Capture/Compare Control 1	Read/write	Word	0000h	Section 13.3.3
06h	TAxCTL2	Timer_Ax Capture/Compare Control 2	Read/write	Word	0000h	Section 13.3.3
08h	TAxCTL3	Timer_Ax Capture/Compare Control 3	Read/write	Word	0000h	Section 13.3.3
0Ah	TAxCTL4	Timer_Ax Capture/Compare Control 4	Read/write	Word	0000h	Section 13.3.3
0Ch	TAxCTL5	Timer_Ax Capture/Compare Control 5	Read/write	Word	0000h	Section 13.3.3
0Eh	TAxCTL6	Timer_Ax Capture/Compare Control 6	Read/write	Word	0000h	Section 13.3.3
10h	TAxR	Timer_Ax Counter	Read/write	Word	0000h	Section 13.3.2
12h	TAxCCR0	Timer_Ax Capture/Compare 0	Read/write	Word	0000h	Section 13.3.4
14h	TAxCCR1	Timer_Ax Capture/Compare 1	Read/write	Word	0000h	Section 13.3.4
16h	TAxCCR2	Timer_Ax Capture/Compare 2	Read/write	Word	0000h	Section 13.3.4
18h	TAxCCR3	Timer_Ax Capture/Compare 3	Read/write	Word	0000h	Section 13.3.4
1Ah	TAxCCR4	Timer_Ax Capture/Compare 4	Read/write	Word	0000h	Section 13.3.4
1Ch	TAxCCR5	Timer_Ax Capture/Compare 5	Read/write	Word	0000h	Section 13.3.4
1Eh	TAxCCR6	Timer_Ax Capture/Compare 6	Read/write	Word	0000h	Section 13.3.4
2Eh	TAxIV	Timer_Ax Interrupt Vector	Read only	Word	0000h	Section 13.3.5
20h	TAxEX0	Timer_Ax Expansion 0	Read/write	Word	0000h	Section 13.3.6

13.3.1 TAxCTL Register

Timer_Ax Control Register

Figure 13-16. TAxCTL Register

15	14	13	12	11	10	9	8
Reserved						TASSEL	
rw-(0)	rw-(0)	rw-(0)	rw-(0)	rw-(0)	rw-(0)	rw-(0)	rw-(0)
7	6	5	4	3	2	1	0
ID		MC		Reserved	TACLR	TAIE	TAIFG
rw-(0)	rw-(0)	rw-(0)	rw-(0)	rw-(0)	w-(0)	rw-(0)	rw-(0)

Table 13-4. TAxCTL Register Description

Bit	Field	Type	Reset	Description
15-10	Reserved	RW	0h	Reserved
9-8	TASSEL	RW	0h	Timer_A clock source select 00b = TAxCLK 01b = ACLK 10b = SMCLK 11b = Inverted TAxCLK
7-6	ID	RW	0h	Input divider. These bits along with the TAIDEX bits select the divider for the input clock. 00b = /1 01b = /2 10b = /4 11b = /8
5-4	MC	RW	0h	Mode control. Setting MCx = 00h when Timer_A is not in use conserves power. 00b = Stop mode: Timer is halted 01b = Up mode: Timer counts up to TAxCCR0 10b = Continuous mode: Timer counts up to 0FFFFh 11b = Up/down mode: Timer counts up to TAxCCR0 then down to 0000h
3	Reserved	RW	0h	Reserved
2	TACLR	RW	0h	Timer_A clear. Setting this bit resets TAxR, the timer clock divider logic, and the count direction. The TACLR bit is automatically reset and is always read as zero.
1	TAIE	RW	0h	Timer_A interrupt enable. This bit enables the TAIFG interrupt request. 0b = Interrupt disabled 1b = Interrupt enabled
0	TAIFG	RW	0h	Timer_A interrupt flag 0b = No interrupt pending 1b = Interrupt pending

13.3.2 TAxR Register

Timer_Ax Counter Register

Figure 13-17. TAxR Register

15	14	13	12	11	10	9	8
TAxR							
rw-(0)	rw-(0)	rw-(0)	rw-(0)	rw-(0)	rw-(0)	rw-(0)	rw-(0)
7	6	5	4	3	2	1	0
TAxR							
rw-(0)	rw-(0)	rw-(0)	rw-(0)	rw-(0)	rw-(0)	rw-(0)	rw-(0)

Table 13-5. TAxR Register Description

Bit	Field	Type	Reset	Description
15-0	TAxR	RW	0h	Timer_A register. The TAxR register is the count of Timer_A.

13.3.3 TAXCCTLn Register

Timer_Ax Capture/Compare Control n Register

Figure 13-18. TAXCCTLn Register

15	14	13	12	11	10	9	8
CM		CCIS		SCS	SCCI	Reserved	CAP
rw-(0)	rw-(0)	rw-(0)	rw-(0)	rw-(0)	r-(0)	r-(0)	rw-(0)
7	6	5	4	3	2	1	0
OUTMOD			CCIE	CCI	OUT	COV	CCIFG
rw-(0)	rw-(0)	rw-(0)	rw-(0)	r	rw-(0)	rw-(0)	rw-(0)

Table 13-6. TAXCCTLn Register Description

Bit	Field	Type	Reset	Description
15-14	CM	RW	0h	Capture mode 00b = No capture 01b = Capture on rising edge 10b = Capture on falling edge 11b = Capture on both rising and falling edges
13-12	CCIS	RW	0h	Capture/compare input select. These bits select the TAXCCR0 input signal. See the device-specific data sheet for specific signal connections. 00b = CCIxA 01b = CCIxB 10b = GND 11b = VCC
11	SCS	RW	0h	Synchronize capture source. This bit is used to synchronize the capture input signal with the timer clock. 0b = Asynchronous capture 1b = Synchronous capture
10	SCCI	RW	0h	Synchronized capture/compare input. The selected CCI input signal is latched with the EQUx signal and can be read via this bit.
9	Reserved	R	0h	Reserved. Reads as 0.
8	CAP	RW	0h	Capture mode 0b = Compare mode 1b = Capture mode
7-5	OUTMOD	RW	0h	Output mode. Modes 2, 3, 6, and 7 are not useful for TAXCCR0 because EQUx = EQU0. 000b = OUT bit value 001b = Set 010b = Toggle/reset 011b = Set/reset 100b = Toggle 101b = Reset 110b = Toggle/set 111b = Reset/set
4	CCIE	RW	0h	Capture/compare interrupt enable. This bit enables the interrupt request of the corresponding CCIFG flag. 0b = Interrupt disabled 1b = Interrupt enabled
3	CCI	R	0h	Capture/compare input. The selected input signal can be read by this bit.
2	OUT	RW	0h	Output. For output mode 0, this bit directly controls the state of the output. 0b = Output low 1b = Output high

Table 13-6. TAxCTLn Register Description (continued)

Bit	Field	Type	Reset	Description
1	COV	RW	0h	Capture overflow. This bit indicates a capture overflow occurred. COV must be reset with software. 0b = No capture overflow occurred 1b = Capture overflow occurred
0	CCIFG	RW	0h	Capture/compare interrupt flag 0b = No interrupt pending 1b = Interrupt pending

13.3.4 TAxCCRn Register

Timer_A Capture/Compare n Register

Figure 13-19. TAxCCRn Register

15	14	13	12	11	10	9	8
TAxCCR0							
rw-(0)	rw-(0)	rw-(0)	rw-(0)	rw-(0)	rw-(0)	rw-(0)	rw-(0)
7	6	5	4	3	2	1	0
TAxCCR0							
rw-(0)	rw-(0)	rw-(0)	rw-(0)	rw-(0)	rw-(0)	rw-(0)	rw-(0)

Table 13-7. TAxCCRn Register Description

Bit	Field	Type	Reset	Description
15-0	TAxCCR0	RW	0h	Compare mode: TAxCCRn holds the data for the comparison to the timer value in the Timer_A Register, TAR. Capture mode: The Timer_A Register, TAR, is copied into the TAxCCRn register when a capture is performed.

13.3.5 TAxIV Register

Timer_Ax Interrupt Vector Register

Figure 13-20. TAxIV Register

15	14	13	12	11	10	9	8
TAIV							
r0	r0	r0	r0	r0	r0	r0	r0
7	6	5	4	3	2	1	0
TAIV							
r0	r0	r0	r0	r-(0)	r-(0)	r-(0)	r0

Table 13-8. TAxIV Register Description

Bit	Field	Type	Reset	Description
15-0	TAIV	R	0h	Timer_A interrupt vector value 00h = No interrupt pending 02h = Interrupt Source: Capture/compare 1; Interrupt Flag: TAxCCR1 CCIFG; Interrupt Priority: Highest 04h = Interrupt Source: Capture/compare 2; Interrupt Flag: TAxCCR2 CCIFG 06h = Interrupt Source: Capture/compare 3; Interrupt Flag: TAxCCR3 CCIFG 08h = Interrupt Source: Capture/compare 4; Interrupt Flag: TAxCCR4 CCIFG 0Ah = Interrupt Source: Capture/compare 5; Interrupt Flag: TAxCCR5 CCIFG 0Ch = Interrupt Source: Capture/compare 6; Interrupt Flag: TAxCCR6 CCIFG 0Eh = Interrupt Source: Timer overflow; Interrupt Flag: TAxCTL TAIFG; Interrupt Priority: Lowest

13.3.6 TAxEX0 Register

Timer_Ax Expansion 0 Register

Figure 13-21. TAxEX0 Register

15	14	13	12	11	10	9	8
Reserved							
r0	r0	r0	r0	r0	r0	r0	r0
7	6	5	4	3	2	1	0
Reserved					TAIDEX ⁽¹⁾		
r0	r0	r0	r0	r0	rw-(0)	rw-(0)	rw-(0)

⁽¹⁾ After programming TAIDEX bits and configuration of the timer, set TACLRL bit to ensure proper reset of the timer divider logic.

Table 13-9. TAxEX0 Register Description

Bit	Field	Type	Reset	Description
15-3	Reserved	R	0h	Reserved. Reads as 0.
2-0	TAIDEX	RW	0h	Input divider expansion. These bits along with the ID bits select the divider for the input clock. 000b = Divide by 1 001b = Divide by 2 010b = Divide by 3 011b = Divide by 4 100b = Divide by 5 101b = Divide by 6 110b = Divide by 7 111b = Divide by 8



Real-Time Clock (RTC_A)

The Real-Time Clock (RTC_A) module provides clock counters with a calendar, a flexible programmable alarm, and calibration. This chapter describes the RTC_A module.

Topic	Page
14.1 RTC_A Introduction	419
14.2 RTC_A Operation	421
14.3 RTC_A Registers	427

14.1 RTC_A Introduction

The RTC_A module provides a real-time clock and calendar function that can also be configured as a general-purpose counter.

RTC_A features include:

- Configurable for real-time clock with calendar function or general-purpose counter
- Provides seconds, minutes, hours, day of week, day of month, month, and year in real-time clock with calendar function
- Interrupt capability
- Selectable BCD or binary format in real-time clock mode
- Programmable alarms in real-time clock mode
- Calibration logic for time offset correction in real-time clock mode

The RTC_A block diagram is shown in [Figure 14-1](#).

NOTE: Real-time clock initialization

Most RTC_A module registers have no initial condition. These registers must be configured by user software before use.

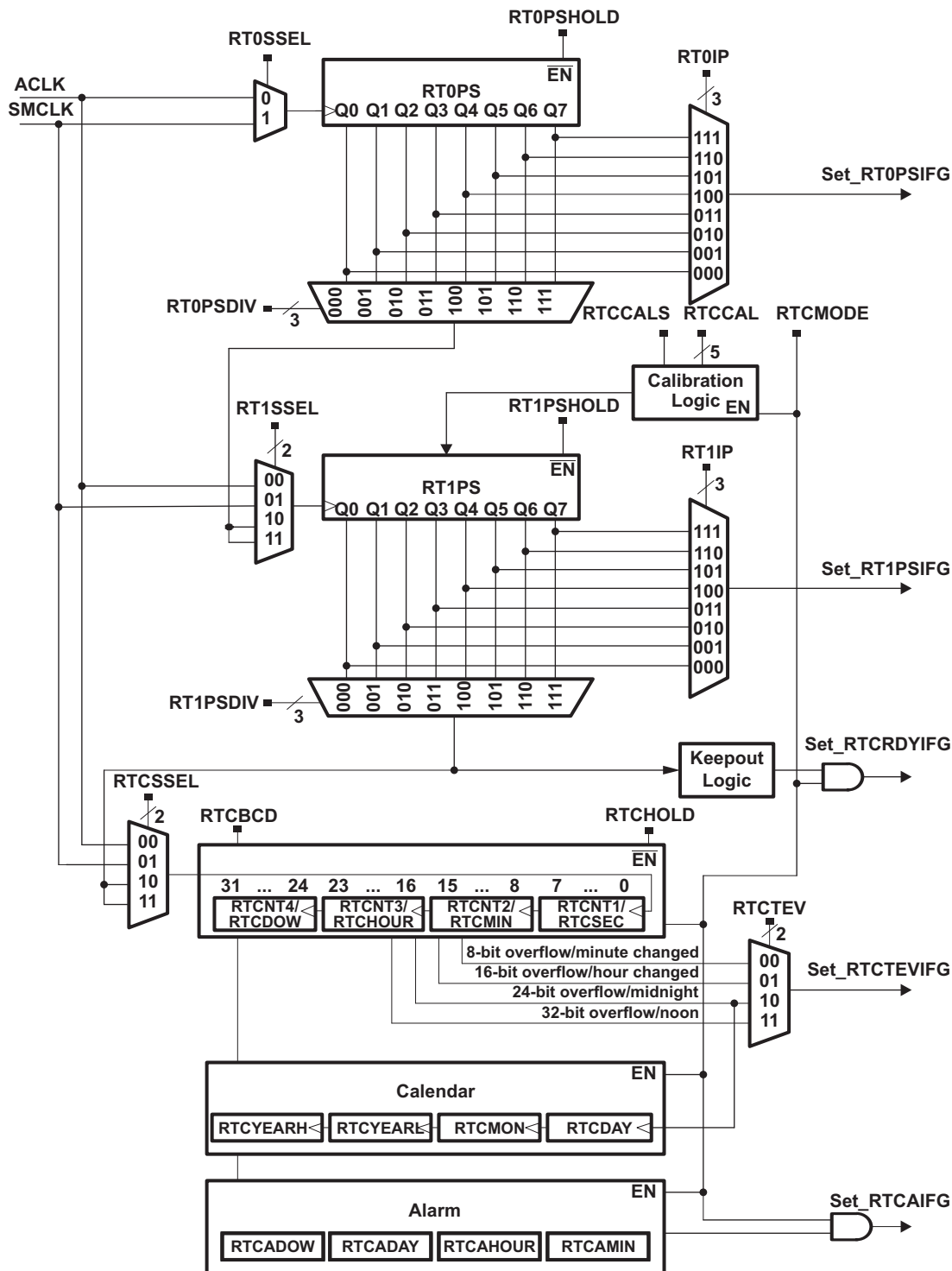


Figure 14-1. RTC_A

14.2 RTC_A Operation

The RTC_A module can be configured as a real-time clock with calendar function (calendar mode) or as a 32-bit general purpose counter (counter mode) with the RTCMODE bit.

14.2.1 Counter Mode

Counter mode is selected when RTCMODE is reset. In this mode, a 32-bit counter is provided that is directly accessible by software. Switching from calendar mode to counter mode resets the count value (RTCNT1, RTCNT2, RTCNT3, RTCNT4), as well as the prescale counters (RT0PS, RT1PS).

The clock to increment the counter can be sourced from ACLK, SMCLK, or prescaled versions of ACLK or SMCLK. Prescaled versions of ACLK or SMCLK are sourced from the prescale dividers (RT0PS and RT1PS). RT0PS and RT1PS output $/2$, $/4$, $/8$, $/16$, $/32$, $/64$, $/128$, and $/256$ versions of ACLK and SMCLK, respectively. The output of RT0PS can be cascaded with RT1PS. The cascaded output can be used as a clock source input to the 32-bit counter.

Four individual 8-bit counters are cascaded to provide the 32-bit counter. This provides 8-bit, 16-bit, 24-bit, or 32-bit overflow intervals of the counter clock. The RTCTEV bits select the respective trigger event. An RTCTEV event can trigger an interrupt by setting the RTCTEVIE bit. Each counter, RTCNT1 through RTCNT4, is individually accessible and may be written to.

RT0PS and RT1PS can be configured as two 8-bit counters or cascaded into a single 16-bit counter. RT0PS and RT1PS can be halted on an individual basis by setting their respective RT0PSHOLD and RT1PSHOLD bits. When RT0PS is cascaded with RT1PS, setting RT0PSHOLD causes both RT0PS and RT1PS to be halted. The 32-bit counter can be halted several ways depending on the configuration. If the 32-bit counter is sourced directly from ACLK or SMCLK, it can be halted by setting RTCHOLD. If it is sourced from the output of RT1PS, it can be halted by setting RT1PSHOLD or RTCHOLD. Finally, if it is sourced from the cascaded outputs of RT0PS and RT1PS, it can be halted by setting RT0PSHOLD, RT1PSHOLD, or RTCHOLD.

NOTE: Accessing the RTCNT1, RTCNT2, RTCNT3, RTCNT4, RT0PS, RT1PS registers

When the counter clock is asynchronous to the CPU clock, any read from any RTCNT1, RTCNT2, RTCNT3, RTCNT4, RT0PS, or RT1PS register should occur while the counter is not operating. Otherwise, the results may be unpredictable. Alternatively, the counter may be read multiple times while operating, and a majority vote taken in software to determine the correct reading. Any write to these registers takes effect immediately.

14.2.2 Calendar Mode

Calendar mode is selected when RTCMODE is set. In calendar mode, the RTC_A module provides seconds, minutes, hours, day of week, day of month, month, and year in selectable BCD or hexadecimal format. The calendar includes a leap-year algorithm that considers all years evenly divisible by four as leap years. This algorithm is accurate from the year 1901 through 2099.

14.2.2.1 Real-Time Clock and Prescale Dividers

The prescale dividers, RT0PS and RT1PS, are automatically configured to provide a 1-s clock interval for the RTC_A. RT0PS is sourced from ACLK. ACLK must be set to 32768 Hz (nominal) for proper RTC_A calendar operation. RT1PS is cascaded with the output ACLK/256 of RT0PS. The RTC_A is sourced with the $/128$ output of RT1PS, thereby providing the required 1-s interval. Switching from counter to calendar mode clears the seconds, minutes, hours, day-of-week, and year counts and sets day-of-month and month counts to 1. In addition, RT0PS and RT1PS are cleared.

When RTCBCD = 1, BCD format is selected for the calendar registers. The format must be selected before the time is set. Changing the state of RTCBCD clears the seconds, minutes, hours, day-of-week, and year counts and sets day-of-month and month counts to 1. In addition, RT0PS and RT1PS are cleared.

In calendar mode, the RT0SSEL, RT1SSEL, RT0PSDIV, RT1PSDIV, RT0PSHOLD, RT1PSHOLD, and RTCSEL bits are don't care. Setting RTCHOLD halts the real-time counters and prescale counters, RT0PS and RT1PS.

14.2.2.2 Real-Time Clock Alarm Function

The RTC_A module provides for a flexible alarm system. There is a single user-programmable alarm that can be programmed based on the settings contained in the alarm registers for minutes, hours, day of week, and day of month. The user-programmable alarm function is only available in the calendar mode of operation.

Each alarm register contains an alarm enable (AE) bit that can be used to enable the respective alarm register. By setting AE bits of the various alarm registers, a variety of alarm events can be generated.

- Example 1: A user wishes to set an alarm every hour at 15 minutes past the hour; that is, at 00:15:00, 01:15:00, 02:15:00, and so on. This is possible by setting RTCAMIN to 15. By setting the AE bit of the RTCAMIN and clearing all other AE bits of the alarm registers, the alarm is enabled. When enabled, the AF is set when the count transitions from 00:14:59 to 00:15:00, 01:14:59 to 01:15:00, 02:14:59 to 02:15:00, etc.
- Example 2: A user wishes to set an alarm every day at 04:00:00. This is possible by setting RTCAHOUR to 4. By setting the AE bit of the RTCHOUR and clearing all other AE bits of the alarm registers, the alarm is enabled. When enabled, the AF is set when the count transitions from 03:59:59 to 04:00:00.
- Example 3: A user wishes to set an alarm for 06:30:00. RTCAHOUR would be set to 6 and RTCAMIN would be set to 30. By setting the AE bits of RTCAHOUR and RTCAMIN, the alarm is enabled. Once enabled, the AF is set when the the time count transitions from 06:29:59 to 06:30:00. In this case, the alarm event occurs every day at 06:30:00.
- Example 4: A user wishes to set an alarm every Tuesday at 06:30:00. RTCADOW would be set to 2, RTCAHOUR would be set to 6 and RTCAMIN would be set to 30. By setting the AE bits of RTCADOW, RTCAHOUR and RTCAMIN, the alarm is enabled. Once enabled, the AF is set when the the time count transitions from 06:29:59 to 06:30:00 and the RTCDOW transitions from 1 to 2.
- Example 5: A user wishes to set an alarm the fifth day of each month at 06:30:00. RTCADAY would be set to 5, RTCAHOUR would be set to 6 and RTCAMIN would be set to 30. By setting the AE bits of RTCADAY, RTCAHOUR and RTCAMIN, the alarm is enabled. Once enabled, the AF is set when the the time count transitions from 06:29:59 to 06:30:00 and the RTCDAY equals 5.

NOTE: Invalid alarm settings

Invalid alarm settings are not checked via hardware. It is the user's responsibility to ensure that valid alarm settings are entered.

NOTE: Invalid time and date values

Writing of invalid date and/or time information or data values outside the legal ranges specified in the RTCSEC, RTCMIN, RTCHOUR, RTCDAY, RTCDOW, RTCYEARH, RTCYEARL, RTCAMIN, RTCAHOUR, RTCADAY, and RTCADOW registers can result in unpredictable behavior.

NOTE: Setting the alarm

To prevent potential erroneous alarm conditions from occurring, the alarms should be disabled by clearing the RTCAIE, RTCAIFG, and AE bits prior to writing new time values to the RTC time registers.

14.2.2.3 Reading or Writing Real-Time Clock Registers in Calendar Mode

Because the system clock may be asynchronous to the RTC_A clock source, special care must be taken when accessing the real-time clock registers.

In calendar mode, the real-time clock registers are updated once per second. To prevent reading any real-time clock register at the time of an update, which could result in an invalid time being read, a keepout window is provided. The keepout window is centered approximately $-128/32768$ s around the update transition. The read-only RTCRDY bit is reset during the keepout window period and set outside the keepout the window period. Any read of the clock registers while RTCRDY is reset is considered to be potentially invalid, and the time read should be ignored.

An easy way to safely read the real-time clock registers is to use the RTCRDYIFG interrupt flag. Setting RTCRDYIE enables the RTCRDYIFG interrupt. Once enabled, an interrupt is generated based on the rising edge of the RTCRDY bit, causing the RTCRDYIFG to be set. At this point, the application has nearly a complete second to safely read any or all of the real-time clock registers. This synchronization process prevents reading the time value during transition. The RTCRDYIFG flag is reset automatically when the interrupt is serviced, or can be reset with software.

In counter mode, the RTCRDY bit remains reset. RTCRDYIE is a don't care and RTCRDYIFG remains reset.

NOTE: Reading or writing real-time clock registers

When the counter clock is asynchronous to the CPU clock, any read from any RTCSEC, RTCMIN, RTCHOUR, RTCDOW, RTCDAY, RTCMON, RTCYEARL, or RTCYEARH register while the RTCRDY is reset may result in invalid data being read. To safely read the counting registers, either polling of the RTCRDY bit or the synchronization procedure previously described can be used. Alternatively, the counter register can be read multiple times while operating, and a majority vote taken in software to determine the correct reading. Reading the RT0PS and RT1PS can only be handled by reading the registers multiple times and a majority vote taken in software to determine the correct reading or by halting the counters.

Any write to any counting register takes effect immediately. However, the clock is stopped during the write. In addition, RT0PS and RT1PS registers are reset. This could result in losing up to 1 s during a write. Writing of data outside the legal ranges or invalid time stamp combinations results in unpredictable behavior.

14.2.3 Real-Time Clock Interrupts

The RTC_A module has five interrupt sources available, each with independent enables and flags.

14.2.3.1 Real-Time Clock Interrupts in Calendar Mode

In calendar mode, five sources for interrupts are available, namely RT0PSIFG, RT1PSIFG, RTCRDYIFG, RTCTEVIFG, and RTCAIFG. These flags are prioritized and combined to source a single interrupt vector. The interrupt vector register (RTCIV) is used to determine which flag requested an interrupt.

The highest-priority enabled interrupt generates a number in the RTCIV register (see register description). This number can be evaluated or added to the program counter (PC) to automatically enter the appropriate software routine. Disabled RTC interrupts do not affect the RTCIV value.

Any access, read or write, of the RTCIV register automatically resets the highest-pending interrupt flag. If another interrupt flag is set, another interrupt is immediately generated after servicing the initial interrupt. In addition, all flags can be cleared via software.

The user-programmable alarm event sources the real-time clock interrupt, RTCAIFG. Setting RTCAIE enables the interrupt. In addition to the user-programmable alarm, the RTC_A module provides for an interval alarm that sources real-time clock interrupt, RTCTEVIFG. The interval alarm can be selected to cause an alarm event when RTCMIN changed or RTCHOUR changed, every day at midnight (00:00:00) or every day at noon (12:00:00). The event is selectable with the RTCTEV bits. Setting the RTCTEVIE bit enables the interrupt.

The RTCRDY bit sources the real-time clock interrupt, RTCRDYIFG, and is useful in synchronizing the read of time registers with the system clock. Setting the RTCRDYIE bit enables the interrupt.

RT0PSIFG can be used to generate interrupt intervals selectable by the RT0IP bits. In calendar mode, RT0PS is sourced with ACLK at 32768 Hz, so intervals of 16384 Hz, 8192 Hz, 4096 Hz, 2048 Hz, 1024 Hz, 512 Hz, 256 Hz, or 128 Hz are possible. Setting the RT0PSIE bit enables the interrupt.

RT1PSIFG can generate interrupt intervals selectable by the RT1IP bits. In calendar mode, RT1PS is sourced with the output of RT0PS, which is 128 Hz (32768/256 Hz). Therefore, intervals of 64 Hz, 32 Hz, 16 Hz, 8 Hz, 4 Hz, 2 Hz, 1 Hz, or 0.5 Hz are possible. Setting the RT1PSIE bit enables the interrupt.

14.2.3.2 Real-Time Clock Interrupts in Counter Mode

In counter mode, three interrupt sources are available: RT0PSIFG, RT1PSIFG, and RTCTEVIFG. RTCAIFG and RTCRDYIFG are cleared. RTCRDYIE and RTCAIE are don't care.

RT0PSIFG can be used to generate interrupt intervals selectable by the RT0IP bits. In counter mode, RT0PS is sourced with ACLK or SMCLK, so divide ratios of /2, /4, /8, /16, /32, /64, /128, and /256 of the respective clock source are possible. Setting the RT0PSIE bit enables the interrupt.

RT1PSIFG can be used to generate interrupt intervals selectable by the RT1IP bits. In counter mode, RT1PS is sourced with ACLK, SMCLK, or the output of RT0PS, so divide ratios of /2, /4, /8, /16, /32, /64, /128, and /256 of the respective clock source are possible. Setting the RT1PSIE bit enables the interrupt.

The RTC_A module provides for an interval timer that sources real-time clock interrupt, RTCTEVIFG. The interval timer can be selected to cause an interrupt event when an 8-bit, 16-bit, 24-bit, or 32-bit overflow occurs within the 32-bit counter. The event is selectable with the RTCTEV bits. Setting the RTCTEVIE bit enables the interrupt.

RTCIV Software Example

The following software example shows the recommended use of RTCIV and the handling overhead. The RTCIV value is added to the PC to automatically jump to the appropriate routine.

The numbers at the right margin show the necessary CPU cycles for each instruction. The software overhead for different interrupt sources includes interrupt latency and return-from-interrupt cycles, but not the task handling itself.

```

; Interrupt handler for RTC interrupt flags.
RTC_HND
    ADD    &RTCIV,PC    ; Interrupt latency          6
    RETI                                ; Add offset to Jump table  3
    RETI                                ; Vector 0: No interrupt    5
    JMP    RTCRDYIFG_HND ; Vector 2: RTCRDYIFG          2
    JMP    RTCTEVIFG_HND ; Vector 4: RTCTEVIFG          2
    JMP    RTCAIFG       ; Vector 6: RTCAIFG            5
    JMP    RT0PSIFG      ; Vector 8: RT0PSIFG            5
    JMP    RT1PSIFG      ; Vector A: RT1PSIFG            5
    RETI                                ; Vector C: Reserved      5
RTCRDYIFG_HND
    to
    ; Vector 2: RTCRDYIFG Flag
    ; Task starts here
    RETI                                5
RTCTEVIFG_HND
    to
    ; Vector 4: RTCTEVIFG
    ; Task starts here
    RETI                                ; Back to main program    5
RTCAIFG_HND
    to
    ; Vector 6: RTCAIFG
    ; Task starts here
RT0PSIFG_HND
    to
    ; Vector 8: RT0PSIFG
    ; Task starts here
RT1PSIFG_HND
    to
    ; Vector A: RT1PSIFG
    ; Task starts here

```


14.2.4 Real-Time Clock Calibration

The RTC_A module has calibration logic that allows for adjusting the crystal frequency in approximately +4-ppm or -2-ppm steps, allowing for higher time keeping accuracy from standard crystals. The RTCCAL bits are used to adjust the frequency. When RTCCALS is set, each RTCCAL LSB causes a \approx +4-ppm adjustment. When RTCCALS is cleared, each RTCCAL LSB causes a \approx -2-ppm adjustment. Calibration is available only in calendar mode. In counter mode (RTCMODE = 0), the calibration logic is disabled.

Calibration is accomplished by periodically adjusting the RT1PS counter based on the RTCCALS and RTCCALx settings. In calendar mode, the RT0PS divides the nominal 37268-Hz low-frequency (LF) crystal clock input by 256. A 64-minute period has $32768 \text{ cycles/sec} \times 60 \text{ sec/min} \times 64 \text{ min} = 125829120$ cycles. Therefore a -2-ppm reduction in frequency (down calibration) approximately equates to adding an additional 256 cycles every 125829120 cycles ($256/125829120 = 2.035$ ppm). This is accomplished by holding the RT1PS counter for one additional clock of the RT0PS output within a 64-minute period. Similarly, a +4-ppm increase in frequency (up calibration) approximately equates to removing 512 cycles every 125829120 cycle ($512/125829120 = 4.069$ ppm). This is accomplished by incrementing the RT1PS counter for two additional clocks of the RT0PS output within a 64-minute period. Each RTCCALx calibration bit causes either 256 LF crystal clock cycles to be added every 64 minutes or 512 LF crystal clock cycles to be subtracted every 64 minutes, giving a frequency adjustment of approximately -2 ppm or +4 ppm, respectively.

To calibrate the frequency, the RTCCLK output signal is available at a pin. The RTCCALF bits can be used to select the frequency rate of the RTCCLK output signal, either no signal, 512 Hz, 256 Hz, or 1 Hz.

The basic flow to calibrate the frequency is as follows:

1. Configure the RTCCLK pin.
2. Measure the RTCCLK output signal with an appropriate resolution frequency counter; that is, within the resolution required.
3. Compute the absolute error in ppm: $\text{Absolute Error (ppm)} = |10^6 \times (f_{\text{MEASURED}} - f_{\text{RTCCLK}}) / f_{\text{RTCCLK}}|$, where f_{RTCCLK} is the expected frequency of 512 Hz, 256 Hz, or 1 Hz.
4. Adjust the frequency, by performing the following:
 - (a) If the frequency is too low, set RTCCALS = 1 and apply the appropriate RTCCALx bits, where $\text{RTCCALx} = (\text{Absolute Error}) / 4.069$, rounded to the nearest integer.
 - (b) If the frequency is too high, clear RTCCALS = 0 and apply the appropriate RTCCALx bits, where $\text{RTCCALx} = (\text{Absolute Error}) / 2.035$, rounded to the nearest integer.

For example, assume that RTCCLK is output at a frequency of 512 Hz. The measured RTCCLK is 511.9658 Hz. The frequency error is approximately 66.8 ppm low. To increase the frequency by 66.8 ppm, RTCCALS would be set, and RTCCAL would be set to 16 ($66.8/4.069$). Similarly, assume that the measured RTCCLK is 512.0125 Hz. The frequency error is approximately 24.4 ppm high. To decrease the frequency by 24.4 ppm, RTCCALS would be cleared, and RTCCAL would be set to 12 ($24.4 / 2.035$).

The calibration corrects only initial offsets and does not adjust for temperature and aging effects. This can be handled by periodically measuring temperature and using the crystal's characteristic curve to adjust the ppm based on temperature as required. In counter mode (RTCMODE = 0), the calibration logic is disabled.

NOTE: Minimum Possible Calibration

The minimal calibration possible is -4 ppm or +8 ppm. For example, setting RTCCALS = 0 and RTCCAL = 0h would result in a -4 ppm decrease in frequency. Similarly, setting RTCCALS = 1 and RTCCAL = 0h would result in a +8 ppm increase in frequency.

NOTE: Calibration output frequency

The 512-Hz and 256-Hz output frequencies observed at the RTCCLK pin are not affected by changes in the calibration settings since these output frequencies are generated prior to the calibration logic. The 1-Hz output frequency is affected by changes in the calibration settings. Because the frequency change is small and infrequent over a very long time interval, it can be difficult to observe.

14.3 RTC_A Registers

The RTC_A module registers are listed in and [Table 14-1](#). The base register for the RTC_A module registers can be found in the device-specific data sheet. The address offsets are given in [Table 14-1](#).

NOTE: All registers have word or byte register access. For a generic register *ANYREG*, the suffix "_L" (*ANYREG_L*) refers to the lower byte of the register (bits 0 through 7). The suffix "_H" (*ANYREG_H*) refers to the upper byte of the register (bits 8 through 15).

Table 14-1. RTC_A Registers

Offset	Acronym	Register Name	Type	Access	Reset
00h	RTCCTL01	Real-Time Clock Control 0, 1	Read/write	Word	4000h
00h	RTCCTL0 or RTCCTL01_L	Real-Time Clock Control 0	Read/write	Byte	00h
01h	RTCCTL1 or RTCCTL01_H	Real-Time Clock Control 1	Read/write	Byte	40h
02h	RTCCTL23	Real-Time Clock Control 2, 3	Read/write	Word	0000h
02h	RTCCTL2 or RTCCTL23_L	Real-Time Clock Control 2	Read/write	Byte	00h
03h	RTCCTL3 or RTCCTL23_H	Real-Time Clock Control 3	Read/write	Byte	00h
08h	RTCPS0CTL	Real-Time Prescale Timer 0 Control	Read/write	Word	0100h
08h	RTCPS0CTLL or RTCPS0CTL_L		Read/write	Byte	00h
09h	RTCPS0CTLH or RTCPS0CTL_H		Read/write	Byte	01h
0Ah	RTCPS1CTL	Real-Time Prescale Timer 1 Control	Read/write	Word	0100h
0Ah	RTCPS1CTLL or RTCPS1CTL_L		Read/write	Byte	00h
0Bh	RTCPS0CTLH or RTCPS0CTL_H		Read/write	Byte	01h
0Ch	RTCPS	Real-Time Prescale Timer 0, 1 Counter	Read/write	Word	undefined
0Ch	RT0PS or RTCPS_L	Real-Time Prescale Timer 0 Counter	Read/write	Byte	undefined
0Dh	RT1PS or RTCPS_H	Real-Time Prescale Timer 1 Counter	Read/write	Byte	undefined
0Eh	RTCIV	Real Time Clock Interrupt Vector	Read	Word	0000h
0Eh	RTCIV_L		Read	Byte	00h
0Fh	RTCIV_H		Read	Byte	00h
10h	RTCTIM0 or RTCNT12	Real-Time Clock Seconds, Minutes Real-Time Counter 1, 2	Read/write	Word	undefined
10h	RTCSEC RTCNT1 or RTCTIM0_L	Real-Time Clock Seconds Real-Time Counter 1	Read/write	Byte	undefined
11h	RTCMIN RTCNT2 or RTCTIM0_H	Real-Time Clock Minutes Real-Time Counter 2	Read/write	Byte	undefined
12h	RTCTIM1 or RTCNT34	Real-Time Clock Hour, Day of Week Real-Time Counter 3, 4	Read/write	Word	undefined
12h	RTCHOUR	Real-Time Clock Hour	Read/write	Byte	undefined

Table 14-1. RTC_A Registers (continued)

Offset	Acronym	Register Name	Type	Access	Reset
	RTCNT3 or RTCTIM1_L	Real-Time Counter 3			
13h	RTCDOW	Real-Time Clock Day of Week	Read/write	Byte	undefined
	RTCNT4 or RTCTIM1_H	Real-Time Counter 4			
14h	RTCDATE	Real-Time Clock Date	Read/write	Word	undefined
14h	RTCDAY	Real-Time Clock Day of Month	Read/write	Byte	undefined
	or RTCDATE_L				
15h	RTCMON	Real-Time Clock Month	Read/write	Byte	undefined
	or RTCDATE_H				
16h	RTCYEAR	Real-Time Clock Year	Read/write	Word	undefined
16h	RTCYEARL		Read/write	Byte	undefined
	or RTCYEAR_L				
17h	RTCYEARH		Read/write	Byte	undefined
	or RTCYEAR_H				
18h	RTCAMINHR	Real-Time Clock Minutes, Hour Alarm	Read/write	Word	undefined
18h	RTCAMIN	Real-Time Clock Minutes Alarm	Read/write	Byte	undefined
	or RTCAMINHR_L				
19h	RTCAHOUR	Real-Time Clock Hours Alarm	Read/write	Byte	undefined
	or RTCAMINHR_H				
1Ah	RTCADOWDAY	Real-Time Clock Day of Week, Day of Month Alarm	Read/write	Word	undefined
1Ah	RTCADOW	Real-Time Clock Day of Week Alarm	Read/write	Byte	undefined
	or RTCADOWDAY_L				
1Bh	RTCADAY	Real-Time Clock Day of Month Alarm	Read/write	Byte	undefined
	or RTCADOWDAY_H				

14.3.1 RTCCTL0 Register

Real-Time Clock Control 0 Register

Figure 14-2. RTCCTL0 Register

7	6	5	4	3	2	1	0
Reserved	RTCTEVIE	RTCAIE	RTCRDYIE	Reserved	RTCTEVIFG	RTCAIFG	RTCRDYIFG
r0	rw-0	rw-0	rw-0	r0	rw-(0)	rw-(0)	rw-(0)

Table 14-2. RTCCTL0 Register Description

Bit	Field	Type	Reset	Description
7	Reserved	R	0h	Reserved. Always reads as 0.
6	RTCTEVIE	RW	0h	Real-time clock time event interrupt enable 0b = Interrupt not enabled 1b = Interrupt enabled
5	RTCAIE	RW	0h	Real-time clock alarm interrupt enable. This bit remains cleared when in counter mode (RTCMODE = 0). 0b = Interrupt not enabled 1b = Interrupt enabled
4	RTCRDYIE	RW	0h	Real-time clock read ready interrupt enable 0b = Interrupt not enabled 1b = Interrupt enabled
3	Reserved	R	0h	Reserved. Always reads as 0.
2	RTCTEVIFG	RW	0h	Real-time clock time event flag 0b = No time event occurred. 1b = Time event occurred.
1	RTCAIFG	RW	0h	Real-time clock alarm flag. This bit remains cleared when in counter mode (RTCMODE = 0). 0b = No time event occurred. 1b = Time event occurred.
0	RTCRDYIFG	RW	0h	Real-time clock read ready flag 0b = RTC cannot be read safely. 1b = RTC can be read safely.

14.3.2 RTCCTL1 Register

Real-Time Clock Control Register 1

Figure 14-3. RTCCTL1 Register

7	6	5	4	3	2	1	0
RTCBCD	RTCHOLD	RTCMODE	RTCRDY	RTCSSEL		RTCTEV	
rw-(0)	rw-(1)	rw-(0)	r-(0)	rw-(0)	rw-(0)	rw-(0)	rw-(0)

Table 14-3. RTCCTL1 Register Description

Bit	Field	Type	Reset	Description
7	RTCBCD	RW	0h	Real-time clock BCD select. Selects BCD counting for real-time clock. Applies to calendar mode (RTCMODE = 1) only; setting is ignored in counter mode. Changing this bit clears seconds, minutes, hours, day of week, and year to 0 and sets day of month and month to 1. The real-time clock registers must be set by software afterwards. 0b = Binary (hexadecimal) code selected 1b = Binary coded decimal (BCD) code selected
6	RTCHOLD	RW	1h	Real-time clock hold 0b = Real-time clock (32-bit counter or calendar mode) is operational. 1b = In counter mode (RTCMODE = 0), only the 32-bit counter is stopped. In calendar mode (RTCMODE = 1), the calendar is stopped as well as the prescale counters, RT0PS and RT1PS. RT0PSHOLD and RT1PSHOLD are don't care.
5	RTCMODE	RW	0h	Real-time clock mode 0b = 32-bit counter mode 1b = Calendar mode. Switching between counter and calendar mode resets the real-time clock counter registers. Switching to calendar mode clears seconds, minutes, hours, day of week, and year to 0 and sets day of month and month to 1. The real-time clock registers must be set by software afterwards. RT0PS and RT1PS are also cleared.
4	RTCRDY	RW	0h	Real-time clock ready 0b = RTC time values in transition (calendar mode only) 1b = RTC time values safe for reading (calendar mode only). This bit indicates when the real-time clock time values are safe for reading (calendar mode only). In counter mode, RTCRDY signal remains cleared.
3-2	RTCSSEL	RW	0h	Real-time clock source select. Selects clock input source to the RTC/32-bit counter. In calendar mode, these bits are don't care. The clock input is automatically set to the output of RT1PS. 00b = ACLK 01b = SMCLK 10b = Output from RT1PS 11b = Output from RT1PS
1-0	RTCTEV	RW	0h	Real-time clock time event Counter mode (RTCMODE = 0) 00b = 8-bit overflow 01b = 16-bit overflow 10b = 24-bit overflow 11b = 32-bit overflow Calendar mode (RTCMODE = 1) 00b = Minute changed 01b = Hour changed 10b = Every day at midnight (00:00) 11b = Every day at noon (12:00)

14.3.3 RTCCTL2 Register

Real-Time Clock Control 2 Register

Figure 14-4. RTCCTL2 Register

7	6	5	4	3	2	1	0
RTCCALS	Reserved	RTCCAL					
rw-(0)	r0	rw-(0)	rw-(0)	rw-(0)	rw-(0)	rw-(0)	rw-(0)

Table 14-4. RTCCTL2 Register Description

Bit	Field	Type	Reset	Description
7	RTCCALS	RW	0h	Real-time clock calibration sign 0b = Frequency adjusted down 1b = Frequency adjusted up
6	Reserved	R	0h	Reserved. Always reads as 0.
5-0	RTCCAL	RW	0h	Real-time clock calibration. Each LSB represents approximately +4ppm (RTCCALS = 1) or a -2ppm (RTCCALS = 0) adjustment in frequency.

14.3.4 RTCCTL3 Register

Real-Time Clock Control 3 Register

Figure 14-5. RTCCTL3 Register

7	6	5	4	3	2	1	0
Reserved						RTCCALF	
r0	r0	r0	r0	r0	r0	rw-(0)	rw-(0)

Table 14-5. RTCCTL3 Register Description

Bit	Field	Type	Reset	Description
7-2	Reserved	R	0h	Reserved. Always reads as 0.
1-0	RTCCALF	RW	0h	Real-time clock calibration frequency. Selects frequency output to RTCCLK pin for calibration measurement. The corresponding port must be configured for the peripheral module function. The RTCCLK is not available in counter mode and remains low, and the RTCCALF bits are don't care. 00b = No frequency output to RTCCLK pin 01b = 512 Hz 10b = 256 Hz 11b = 1 Hz

14.3.5 RTCNT1 Register

Real-Time Clock Counter 1 Register – Counter Mode

Figure 14-6. RTCNT1 Register



Table 14-6. RTCNT1 Register Description

Bit	Field	Type	Reset	Description
7-0	RTCNT1	RW	undefined	The RTCNT1 register is the count of RTCNT1

14.3.6 RTCNT2 Register

Real-Time Clock Counter 2 Register – Counter Mode

Figure 14-7. RTCNT2 Register



Table 14-7. RTCNT2 Register Description

Bit	Field	Type	Reset	Description
7-0	RTCNT2	RW	undefined	The RTCNT2 register is the count of RTCNT2

14.3.7 RTCNT3 Register

Real-Time Clock Counter 3 Register – Counter Mode

Figure 14-8. RTCNT3 Register



Table 14-8. RTCNT3 Register Description

Bit	Field	Type	Reset	Description
7-0	RTCNT3	RW	undefined	The RTCNT3 register is the count of RTCNT3

14.3.8 RTCNT4 Register

Real-Time Clock Counter 4 Register – Counter Mode

Figure 14-9. RTCNT4 Register

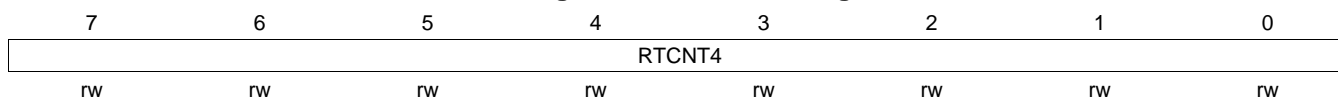


Table 14-9. RTCNT4 Register Description

Bit	Field	Type	Reset	Description
7-0	RTCNT4	RW	undefined	The RTCNT4 register is the count of RTCNT4.

14.3.9 RTCSEC Register – Calendar Mode With Hexadecimal Format

Real-Time Clock Seconds Register – Calendar Mode With Hexadecimal Format

Figure 14-10. RTCSEC Register

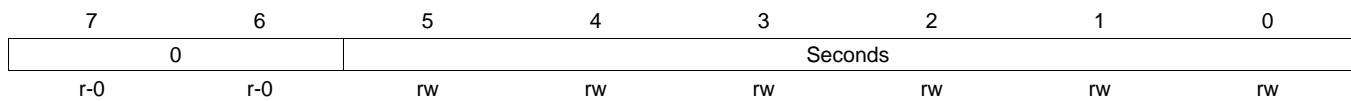


Table 14-10. RTCSEC Register Description

Bit	Field	Type	Reset	Description
7-6	0	R	0h	Always 0
5-0	Seconds	RW	undefined	Seconds (0 to 59)

14.3.10 RTCSEC Register – Calendar Mode With BCD Format

Real-Time Clock Seconds Register – Calendar Mode With BCD Format

Figure 14-11. RTCSEC Register

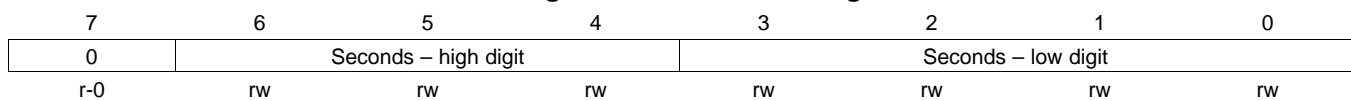


Table 14-11. RTCSEC Register Description

Bit	Field	Type	Reset	Description
7	0	R	0h	Always 0
6-4	Seconds – high digit	RW	undefined	Seconds – high digit (0 to 5)
3-0	Seconds – low digit	RW	undefined	Seconds – low digit (0 to 9)

14.3.11 RTCMIN Register – Calendar Mode With Hexadecimal Format

Real-Time Clock Minutes Register – Calendar Mode With Hexadecimal Format

Figure 14-12. RTCMIN Register

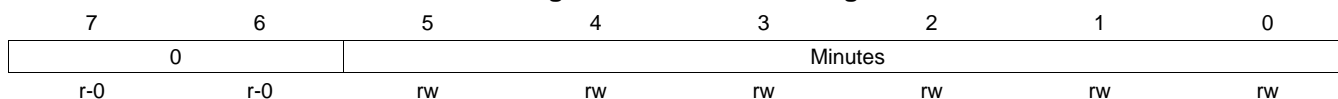


Table 14-12. RTCMIN Register Description

Bit	Field	Type	Reset	Description
7-6	0	R	0h	Always 0
5-0	Minutes	RW	undefined	Minutes (0 to 59)

14.3.12 RTCMIN Register – Calendar Mode With BCD Format

Real-Time Clock Minutes Register – Calendar Mode With BCD Format

Figure 14-13. RTCMIN Register

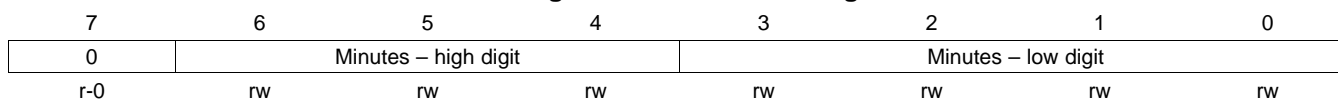


Table 14-13. RTCMIN Register Description

Bit	Field	Type	Reset	Description
7	0	R	0h	Always 0
6-4	Minutes – high digit	RW	undefined	Minutes – high digit (0 to 5)
3-0	Minutes – low digit	RW	undefined	Minutes – low digit (0 to 9)

14.3.13 RTCHOUR Register – Calendar Mode With Hexadecimal Format

Real-Time Clock Hours Register – Calendar Mode With Hexadecimal Format

Figure 14-14. RTCHOUR Register

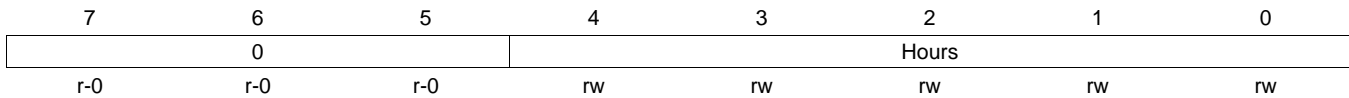


Table 14-14. RTCHOUR Register Description

Bit	Field	Type	Reset	Description
7-5	0	R	0h	Always 0
4-0	Hours	RW	undefined	Hours (0 to 23)

14.3.14 RTCHOUR Register – Calendar Mode With BCD Format

Real-Time Clock Hours Register – Calendar Mode With BCD Format

Figure 14-15. RTCHOUR Register

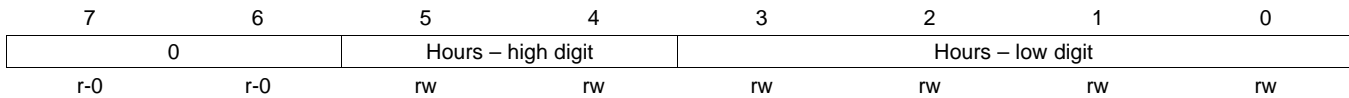


Table 14-15. RTCHOUR Register Description

Bit	Field	Type	Reset	Description
7-6	0	R	0h	Always 0
5-4	Hours – high digit	RW	undefined	Hours – high digit (0 to 2)
3-0	Hours – low digit	RW	undefined	Hours – low digit (0 to 9)

14.3.15 RTCDOW Register – Calendar Mode

Real-Time Clock Day of Week Register – Calendar Mode

Figure 14-16. RTCDOW Register

7	6	5	4	3	2	1	0
0					Day of week		
r-0	r-0	r-0	r-0	r-0	rw	rw	rw

Table 14-16. RTCDOW Register Description

Bit	Field	Type	Reset	Description
7-3	0	R	0h	Always 0
2-0	Day of week	RW	undefined	Day of week (0 to 6)

14.3.16 RTCDAY Register – Calendar Mode With Hexadecimal Format

Real-Time Clock Day of Month Register – Calendar Mode With Hexadecimal Format

Figure 14-17. RTCDAY Register

7	6	5	4	3	2	1	0
0			Day of month				
r-0	r-0	r-0	rw	rw	rw	rw	rw

Table 14-17. RTCDAY Register Description

Bit	Field	Type	Reset	Description
7-5	0	R	0h	Always 0
4-0	Day of month	RW	undefined	Day of month (1 to 28, 29, 30, 31)

14.3.17 RTCDAY Register – Calendar Mode With BCD Format

Real-Time Clock Day of Month Register – Calendar Mode With BCD Format

Figure 14-18. RTCDAY Register

7	6	5	4	3	2	1	0
0		Day of month – high digit		Day of month – low digit			
r-0	r-0	rw	rw	rw	rw	rw	rw

Table 14-18. RTCDAY Register Description

Bit	Field	Type	Reset	Description
7-6	0	R	0h	
5-4	Day of month – high digit	RW	undefined	Day of month – high digit (0 to 3)
3-0	Day of month – low digit	RW	undefined	Day of month – low digit (0 to 9)

14.3.18 RTCMON Register – Calendar Mode With Hexadecimal Format

Real-Time Clock Month Register – Calendar Mode With Hexadecimal Format

Figure 14-19. RTCMON Register

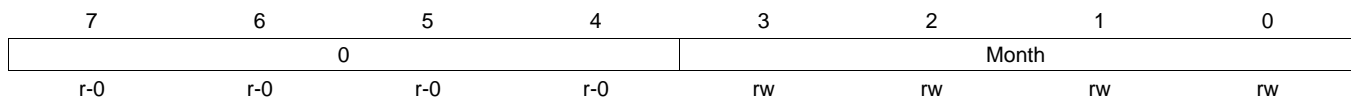


Table 14-19. RTCMON Register Description

Bit	Field	Type	Reset	Description
7-4	0	R	0h	Always 0
3-0	Month	RW	undefined	Month (1 to 12)

14.3.19 RTCMON Register – Calendar Mode With BCD Format

Real-Time Clock Month Register – Calendar Mode With BCD Format

Figure 14-20. RTCMON Register

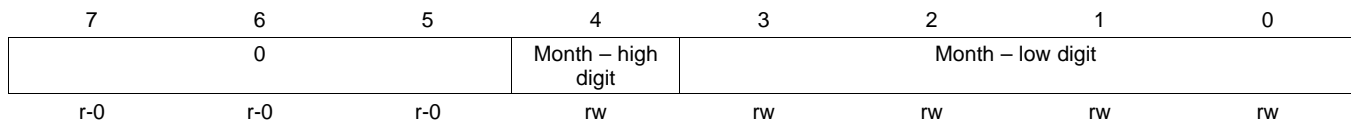


Table 14-20. RTCMON Register Description

Bit	Field	Type	Reset	Description
7-5	0	R	0h	Always 0
4	Month – high digit	RW	undefined	Month – high digit (0 or 1)
3-0	Month – low digit	RW	undefined	Month – low digit (0 to 9)

14.3.20 RTCYEARL Register – Calendar Mode With Hexadecimal Format

Real-Time Clock Year Low-Byte Register – Calendar Mode With Hexadecimal Format

Figure 14-21. RTCYEARL Register

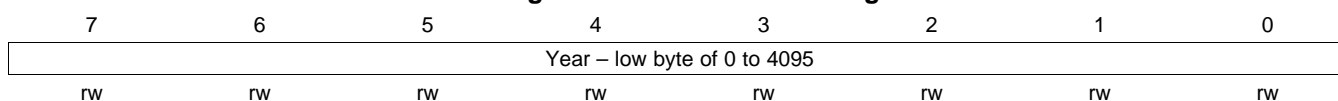


Table 14-21. RTCYEARL Register Description

Bit	Field	Type	Reset	Description
7-0	Year	RW	undefined	Year – low byte of 0 to 4095

14.3.21 RTCYEARL Register – Calendar Mode With BCD Format

Real-Time Clock Year Low-Byte Register – Calendar Mode With BCD Format

Figure 14-22. RTCYEARL Register

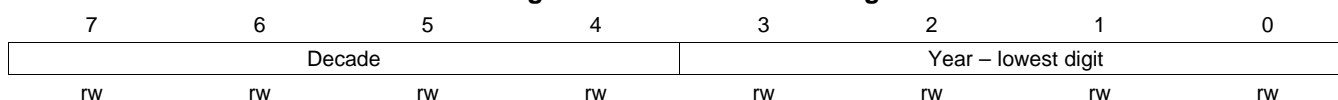


Table 14-22. RTCYEARL Register Description

Bit	Field	Type	Reset	Description
7-4	Decade	RW	undefined	Decade (0 to 9)
3-0	Year – lowest digit	RW	undefined	Year – lowest digit (0 to 9)

14.3.22 RTCYEARH Register – Calendar Mode With Hexadecimal Format

Real-Time Clock Year High-Byte Register – Calendar Mode With Hexadecimal Format

Figure 14-23. RTCYEARH Register

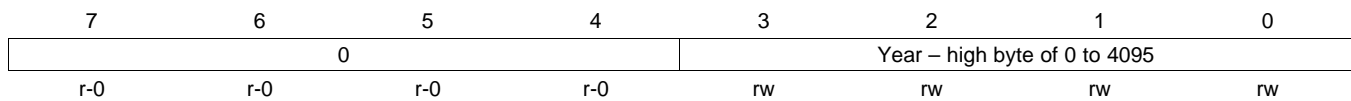


Table 14-23. RTCYEARH Register Description

Bit	Field	Type	Reset	Description
7-4	0	R	0h	Always 0
3-0	Year	RW	undefined	Year – high byte of 0 to 4095

14.3.23 RTCYEARH Register – Calendar Mode With BCD Format

Real-Time Clock Year High-Byte Register – Calendar Mode With BCD Format

Figure 14-24. RTCYEARH Register

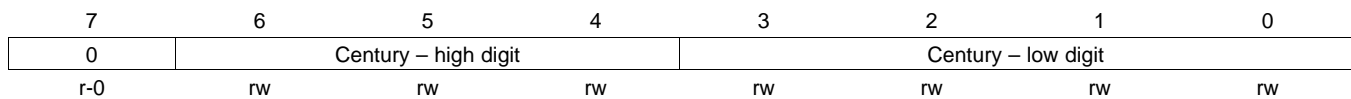


Table 14-24. RTCYEARH Register Description

Bit	Field	Type	Reset	Description
7	0	R	0h	Always 0
6-4	Century – high digit	RW	undefined	Century – high digit (0 to 4)
3-0	Century – low digit	RW	undefined	Century – low digit (0 to 9)

14.3.24 RTCAMIN Register – Calendar Mode With Hexadecimal Format

Real-Time Clock Minutes Alarm Register – Calendar Mode With Hexadecimal Format

Figure 14-25. RTCAMIN Register

7	6	5	4	3	2	1	0
AE	0	Minutes					
rw	r-0	rw	rw	rw	rw	rw	rw

Table 14-25. RTCAMIN Register Description

Bit	Field	Type	Reset	Description
7	AE	RW	undefined	Alarm enable
6	0	R	0h	Always 0
5-0	Minutes	RW	undefined	Minutes (0 to 59)

14.3.25 RTCAMIN Register – Calendar Mode With BCD Format

Real-Time Clock Minutes Alarm Register – Calendar Mode With BCD Format

Figure 14-26. RTCAMIN Register

7	6	5	4	3	2	1	0
AE	Minutes – high digit			Minutes – low digit			
rw	rw	rw	rw	rw	rw	rw	rw

Table 14-26. RTCAMIN Register Description

Bit	Field	Type	Reset	Description
7	AE	RW	0h	Alarm enable
6-4	Minutes – high digit	RW	undefined	Minutes – high digit (0 to 5)
3-0	Minutes – low digit	RW	undefined	Minutes – low digit (0 to 9)

14.3.26 RTCAHOUR Register – Calendar Mode With Hexadecimal Format

Real-Time Clock Hours Alarm Register – Calendar Mode With Hexadecimal Format

Figure 14-27. RTCAHOUR Register

7	6	5	4	3	2	1	0
AE	0		Hours				
rw	r-0	r-0	rw	rw	rw	rw	rw

Table 14-27. RTCAHOUR Register Description

Bit	Field	Type	Reset	Description
7	AE	RW	undefined	Alarm enable
6-5	0	R	0h	Always 0
4-0	Hours	RW	undefined	Hours (0 to 23)

14.3.27 RTCAHOUR Register – Calendar Mode With BCD Format

Real-Time Clock Hours Alarm Register – Calendar Mode With BCD Format

Figure 14-28. RTCAHOUR Register

7	6	5	4	3	2	1	0
AE	0	Hours – high digit		Hours – low digit			
rw	r-0	rw	rw	rw	rw	rw	rw

Table 14-28. RTCAHOUR Register Description

Bit	Field	Type	Reset	Description
7	AE	RW	undefined	Alarm enable
6	0	R	0h	Always 0
5-4	Hours – high digit	RW	undefined	Hours – high digit (0 to 2)
3-0	Hours – low digit	RW	undefined	Hours – low digit (0 to 9)

14.3.28 RTCADOW Register

Real-Time Clock Day of Week Alarm Register – Calendar Mode

Figure 14-29. RTCADOW Register

7	6	5	4	3	2	1	0
AE	0				Day of week		
rw	r-0	r-0	r-0	r-0	rw	rw	rw

Table 14-29. RTCADOW Register Description

Bit	Field	Type	Reset	Description
7	AE	RW	undefined	Alarm enable
6-3	0	R	0h	Always 0
2-0	Day of week	RW	undefined	Day of week (0 to 6)

14.3.29 RTCADAY Register – Calendar Mode With Hexadecimal Format

Real-Time Clock Day of Month Alarm Register – Calendar Mode With Hexadecimal Format

Figure 14-30. RTCADAY Register

7	6	5	4	3	2	1	0
AE	0		Day of month				
rw	r-0	r-0	rw	rw	rw	rw	rw

Table 14-30. RTCADAY Register Description

Bit	Field	Type	Reset	Description
7	AE	RW	undefined	Alarm enable
6-5	0	R	0h	Always 0
4-0	Day of month	RW	undefined	Day of month (1 to 28, 29, 30, 31)

14.3.30 RTCADAY Register – Calendar Mode With BCD Format

Real-Time Clock Day of Month Alarm Register – Calendar Mode With BCD Format

Figure 14-31. RTCADAY Register

7	6	5	4	3	2	1	0
AE	0	Day of month – high digit		Day of month – low digit			
rw	r-0	rw	rw	rw	rw	rw	rw

Table 14-31. RTCADAY Register Description

Bit	Field	Type	Reset	Description
7	AE	RW	undefined	Alarm enable
6	0	R	0h	Always 0
5-4	Day of month – high digit	RW	undefined	Day of month – high digit (0 to 3)
3-0	Day of month – low digit	RW	undefined	Day of month – low digit (0 to 9)

14.3.31 RTCPS0CTL Register

Real-Time Clock Prescale Timer 0 Control Register

Figure 14-32. RTCPS0CTL Register

15	14	13	12	11	10	9	8
Reserved	RT0SSEL	RT0PSDIV			Reserved		RT0PSHOLD
rw-0	rw-0	rw-0	rw-0	rw-0	r0	r0	rw-1
7	6	5	4	3	2	1	0
Reserved			RT0IP			RT0PSIE	RT0PSIFG
r0	r0	r0	rw-0	rw-0	rw-0	rw-0	rw-(0)

Table 14-32. RTCPS0CTL Register Description

Bit	Field	Type	Reset	Description
15	Reserved	R	0h	Reserved. Always reads as 0.
14	RT0SSEL	RW	0h	Prescale timer 0 clock source select. Selects clock input source to the RT0PS counter. In real-time clock calendar mode, these bits are do not care. RT0PS clock input is automatically set to the output of RT0PS. 0b = ACLK 1b = SMCLK
13-11	RT0PSDIV	RW	0h	Prescale timer 0 clock divide. These bits control the divide ratio of the RT0PS counter. In real-time clock calendar mode, these bits are don't care for RT0PS and RT1PS. RT0PS clock output is automatically set to /256. RT1PS clock output is automatically set to /128. 00b = Divide by 2 01b = Divide by 4 10b = Divide by 8 11b = Divide by 16 00b = Divide by 32 01b = Divide by 64 10b = Divide by 128 11b = Divide by 256
10-9	Reserved	R	0h	Reserved. Always reads as 0.
8	RT0PSHOLD	RW	1h	Prescale timer 0 hold. In real-time clock calendar mode, this bit is don't care. RT0PS is stopped via the RTCHOLD bit. 0b = RT0PS operational 1b = RT0PS held
7-5	Reserved	R	0h	Reserved. Always reads as 0.
4-2	RT0IP	RW	0h	Prescale timer 0 interrupt interval 00b = Divide by 2 01b = Divide by 4 10b = Divide by 8 11b = Divide by 16 00b = Divide by 32 01b = Divide by 64 10b = Divide by 128 11b = Divide by 256
1	RT0PSIE	RW	0h	Prescale timer 0 interrupt enable 0b = Interrupt not enabled 1b = Interrupt enabled
0	RT0PSIFG	RW	0h	Prescale timer 0 interrupt flag 0b = No time event occurred 1b = Time event occurred

14.3.32 RTCPS1CTL Register

Real-Time Clock Prescale Timer 1 Control Register

Figure 14-33. RTCPS1CTL Register

15	14	13	12	11	10	9	8
RT1SSEL		RT1PSDIV			Reserved		RT1PSHOLD
rw-0	rw-0	rw-0	rw-0	rw-0	r0	r0	rw-1
7	6	5	4	3	2	1	0
Reserved			RT1IP			RT1PSIE	RT1PSIFG
r0	r0	r0	rw-0	rw-0	rw-0	rw-0	rw-(0)

Table 14-33. RTCPS1CTL Register Description

Bit	Field	Type	Reset	Description
15-14	RT1SSEL	RW	0h	Prescale timer 1 clock source select. Selects clock input source to the RT1PS counter. In real-time clock calendar mode, these bits are do not care. RT1PS clock input is automatically set to the output of RT0PS. 00b = ACLK 01b = SMCLK 10b = Output from RT0PS 11b = Output from RT0PS
13-11	RT1PSDIV	RW	0h	Prescale timer 1 clock divide. These bits control the divide ratio of the RT0PS counter. In real-time clock calendar mode, these bits are don't care for RT0PS and RT1PS. RT0PS clock output is automatically set to /256. RT1PS clock output is automatically set to /128. 00b = Divide by 2 01b = Divide by 4 10b = Divide by 8 11b = Divide by 16 00b = Divide by 32 01b = Divide by 64 10b = Divide by 128 11b = Divide by 256
10-9	Reserved	R	0h	Reserved. Always reads as 0.
8	RT1PSHOLD	RW	1h	Prescale timer 1 hold. In real-time clock calendar mode, this bit is don't care. RT1PS is stopped via the RTCHOLD bit. 0b = RT1PS operational 1b = RT1PS held
7-5	Reserved	R	0h	Reserved. Always reads as 0.
4-2	RT1IP	RW	0h	Prescale timer 1 interrupt interval 00b = Divide by 2 01b = Divide by 4 10b = Divide by 8 11b = Divide by 16 00b = Divide by 32 01b = Divide by 64 10b = Divide by 128 11b = Divide by 256
1	RT1PSIE	RW	0h	Prescale timer 1 interrupt enable 0b = Interrupt not enabled 1b = Interrupt enabled
0	RT1PSIFG	RW	0h	Prescale timer 1 interrupt flag 0b = No time event occurred 1b = Time event occurred

14.3.33 RT0PS Register

Real-Time Clock Prescale Timer 0 Counter Register

Figure 14-34. RT0PS Register

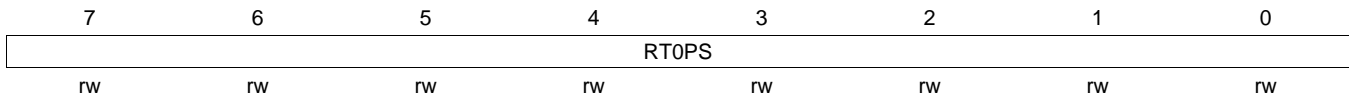


Table 14-34. RT0PS Register Description

Bit	Field	Type	Reset	Description
7-0	RT0PS	RW	Undefined	Prescale timer 0 counter value

14.3.34 RT1PS Register

Real-Time Clock Prescale Timer 1 Counter Register

Figure 14-35. RT1PS Register



Table 14-35. RT1PS Register Description

Bit	Field	Type	Reset	Description
7-0	RT1PS	RW	Undefined	Prescale timer 1 counter value

14.3.35 RTCIV Register

Real-Time Clock Interrupt Vector Register

Figure 14-36. RTCIV Register

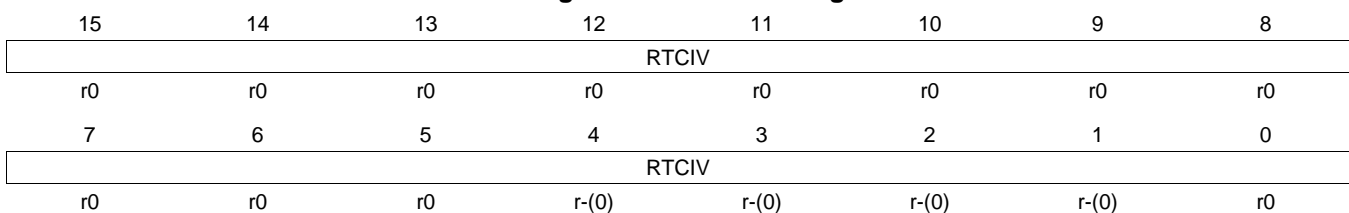


Table 14-36. RTCIV Register Description

Bit	Field	Type	Reset	Description
15-0	RTCIV	R	0h	Real-time clock interrupt vector value 00h = No interrupt pending 02h = Interrupt Source: RTC ready; Interrupt Flag: RTCRDYIFG 04h = Interrupt Source: RTC interval timer; Interrupt Flag: RTCTEVIFG 06h = Interrupt Source: RTC user alarm; Interrupt Flag: RTCAIFG 08h = Interrupt Source: RTC prescaler 0; Interrupt Flag: RT0PSIFG 0Ah = Interrupt Source: RTC prescaler 1; Interrupt Flag: RT1PSIFG 0Ch = Reserved 0Eh = Reserved 10h = Reserved ; Interrupt Priority: Lowest



32-Bit Hardware Multiplier (MPY32)

This chapter describes the 32-bit hardware multiplier (MPY32). The MPY32 module is implemented in all devices.

Topic	Page
15.1 32-Bit Hardware Multiplier (MPY32) Introduction	447
15.2 MPY32 Operation	449
15.3 MPY32 Registers	461

15.1 32-Bit Hardware Multiplier (MPY32) Introduction

The MPY32 is a peripheral and is not part of the CPU. This means its activities do not interfere with the CPU activities. The multiplier registers are peripheral registers that are loaded and read with CPU instructions.

The MPY32 supports:

- Unsigned multiply
- Signed multiply
- Unsigned multiply accumulate
- Signed multiply accumulate
- 8-bit, 16-bit, 24-bit, and 32-bit operands
- Saturation
- Fractional numbers
- 8-bit and 16-bit operation compatible with 16-bit hardware multiplier
- 8-bit and 24-bit multiplications without requiring a "sign extend" instruction

The MPY32 block diagram is shown in [Figure 15-1](#).

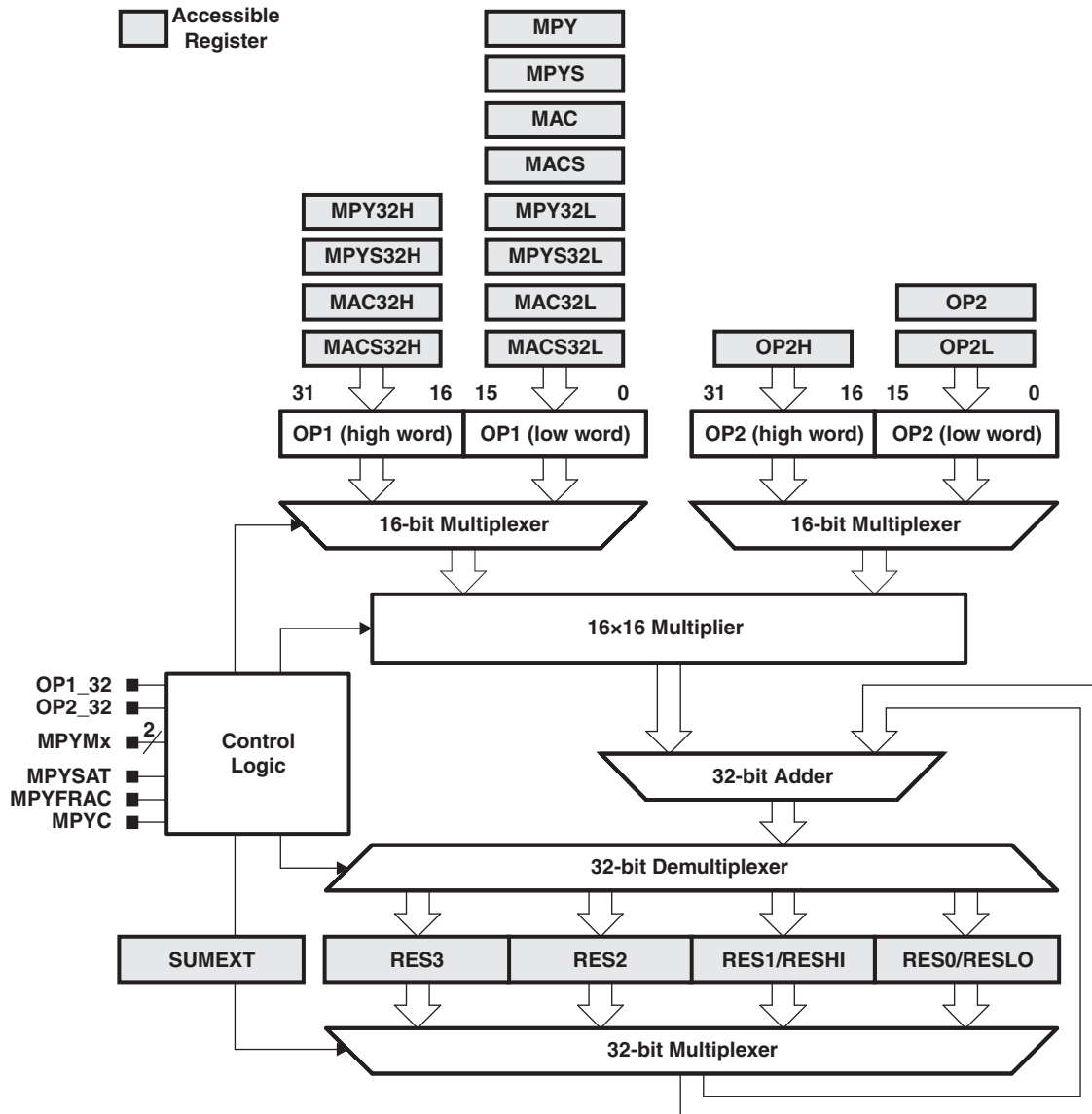


Figure 15-1. MPY32 Block Diagram

15.2 MPY32 Operation

The MPY32 supports 8-bit, 16-bit, 24-bit, and 32-bit operands with unsigned multiply, signed multiply, unsigned multiply-accumulate, and signed multiply-accumulate operations. The size of the operands are defined by the address the operand is written to and if it is written as word or byte. The type of operation is selected by the address the first operand is written to.

The hardware multiplier has two 32-bit operand registers – operand one (OP1) and operand two (OP2), and a 64-bit result register accessible via registers RES0 to RES3. For compatibility with the 16×16 hardware multiplier, the result of a 8-bit or 16-bit operation is accessible via RESLO, RESHI, and SUMEXT, as well. RESLO stores the low word of the 16×16-bit result, RESHI stores the high word of the result, and SUMEXT stores information about the result.

The result of a 8-bit or 16-bit operation is ready in three MCLK cycles and can be read with the next instruction after writing to OP2, except when using an indirect addressing mode to access the result. When using indirect addressing for the result, a `NOP` is required before the result is ready.

The result of a 24-bit or 32-bit operation can be read with successive instructions after writing OP2 or OP2H starting with RES0, except when using an indirect addressing mode to access the result. When using indirect addressing for the result, a `NOP` is required before the result is ready.

[Table 15-1](#) summarizes when each word of the 64-bit result is available for the various combinations of operand sizes. With a 32-bit-wide second operand, OP2L and OP2H must be written. Depending on when the two 16-bit parts are written, the result availability may vary; thus, the table shows two entries, one for OP2L written and one for OP2H written. The worst case defines the actual result availability.

Table 15-1. Result Availability (MPYFRAC = 0, MPYSAT = 0)

Operation (OP1 × OP2)	Result Ready in MCLK Cycles					After
	RES0	RES1	RES2	RES3	MPYC Bit	
8/16 × 8/16	3	3	4	4	3	OP2 written
24/32 × 8/16	3	5	6	7	7	OP2 written
8/16 × 24/32	3	5	6	7	7	OP2L written
	N/A	3	4	4	4	OP2H written
24/32 × 24/32	3	8	10	11	11	OP2L written
	N/A	3	5	6	6	OP2H written

15.2.1 Operand Registers

Operand one (OP1) has 12 registers (see [Table 15-2](#)) used to load data into the multiplier and also select the multiply mode. Writing the low word of the first operand to a given address selects the type of multiply operation to be performed, but does not start any operation. When writing a second word to a high-word register with suffix 32H, the multiplier assumes a 32-bit-wide OP1, otherwise, 16 bits are assumed. The last address written prior to writing OP2 defines the width of the first operand. For example, if MPY32L is written first followed by MPY32H, all 32 bits are used and the data width of OP1 is set to 32 bits. If MPY32H is written first followed by MPY32L, the multiplication ignores MPY32H and assumes a 16-bit-wide OP1 using the data written into MPY32L.

Repeated multiply operations may be performed without reloading OP1 if the OP1 value is used for successive operations. It is not necessary to rewrite the OP1 value to perform the operations.

Table 15-2. OP1 Registers

OP1 Register	Operation
MPY	Unsigned multiply – operand bits 0 up to 15
MPYS	Signed multiply – operand bits 0 up to 15
MAC	Unsigned multiply accumulate –operand bits 0 up to 15
MACS	Signed multiply accumulate – operand bits 0 up to 15
MPY32L	Unsigned multiply – operand bits 0 up to 15
MPY32H	Unsigned multiply – operand bits 16 up to 31
MPYS32L	Signed multiply – operand bits 0 up to 15
MPYS32H	Signed multiply – operand bits 16 up to 31
MAC32L	Unsigned multiply accumulate – operand bits 0 up to 15
MAC32H	Unsigned multiply accumulate – operand bits 16 up to 31
MACS32L	Signed multiply accumulate – operand bits 0 up to 15
MACS32H	Signed multiply accumulate – operand bits 16 up to 31

Writing the second operand to the OP2 initiates the multiply operation. Writing OP2 starts the selected operation with a 16-bit-wide second operand together with the values stored in OP1. Writing OP2L starts the selected operation with a 32-bit-wide second operand and the multiplier expects a the high word to be written to OP2H. Writing to OP2H without a preceding write to OP2L is ignored.

Table 15-3. OP2 Registers

OP2 Register	Operation
OP2	Start multiplication with 16-bit-wide OP2 – operand bits 0 up to 15
OP2L	Start multiplication with 32-bit-wide OP2 – operand bits 0 up to 15
OP2H	Continue multiplication with 32-bit-wide OP2 – operand bits 16 up to 31

For 8-bit or 24-bit operands, the operand registers can be accessed with byte instructions. Accessing the multiplier with a byte instruction during a signed operation automatically causes a sign extension of the byte within the multiplier module. For 24-bit operands, only the high word should be written as byte. If the 24-bit operands are sign-extended as defined by the register, that is used to write the low word to, because this register defines if the operation is unsigned or signed.

The high-word of a 32-bit operand remains unchanged when changing the size of the operand to 16 bit, either by modifying the operand size bits or by writing to the respective operand register. During the execution of the 16-bit operation, the content of the high-word is ignored.

NOTE: Changing of first or second operand during multiplication

By default, changing OP1 or OP2 while the selected multiply operation is being calculated renders any results invalid that are not ready at the time the new operand(s) are changed. Writing OP2 or OP2L aborts any ongoing calculation and starts a new operation. Results that are not ready at that time are also invalid for following MAC or MACS operations.

To avoid this behavior, the MPYDLYWRITEN bit can be set to 1. Then, all writes to any MPY32 registers are delayed with MPYDLY32 = 0 until the 64-bit result is ready or with MPYDLY32 = 1 until the 32-bit result is ready. For MAC and MACS operations, the complete 64-bit result should always be ready.

See [Table 15-1](#) for how many CPU cycles are needed until a certain result register is ready and valid for each of the different modes.

15.2.2 Result Registers

The multiplication result is always 64 bits wide. It is accessible via registers RES0 to RES3. Used with a signed operation, MPYS or MACS, the results are appropriately sign extended. If the result registers are loaded with initial values before a MACS operation, the user software must take care that the written value is properly sign extended to 64 bits.

NOTE: Changing of result registers during multiplication

The result registers must not be modified by the user software after writing the second operand into OP2 or OP2L until the initiated operation is completed.

In addition to RES0 to RES3, for compatibility with the 16x16 hardware multiplier, the 32-bit result of a 8-bit or 16-bit operation is accessible via RESLO, RESHI, and SUMEXT. In this case, the result low register RESLO holds the lower 16 bits of the calculation result and the result high register RESHI holds the upper 16 bits. RES0 and RES1 are identical to RESLO and RESHI, respectively, in usage and access of calculated results.

The sum extension register SUMEXT contents depend on the multiply operation and are listed in [Table 15-4](#). If all operands are 16 bits wide or less, the 32-bit result is used to determine sign and carry. If one of the operands is larger than 16 bits, the 64-bit result is used.

The MPYC bit reflects the multiplier's carry as listed in [Table 15-4](#) and, thus, can be used as 33rd or 65th bit of the result, if fractional or saturation mode is not selected. With MAC or MACS operations, the MPYC bit reflects the carry of the 32-bit or 64-bit accumulation and is not taken into account for successive MAC and MACS operations as the 33rd or 65th bit.

Table 15-4. SUMEXT and MPYC Contents

Mode	SUMEXT	MPYC
MPY	SUMEXT is always 0000h.	MPYC is always 0.
MPYS	SUMEXT contains the extended sign of the result.	MPYC contains the sign of the result.
	00000h Result was positive or zero	0 Result was positive or zero
	0FFFFh Result was negative	1 Result was negative
MAC	SUMEXT contains the carry of the result.	MPYC contains the carry of the result.
	0000h No carry for result	0 No carry for result
	0001h Result has a carry	1 Result has a carry
MACS	SUMEXT contains the extended sign of the result.	MPYC contains the carry of the result.
	00000h Result was positive or zero	0 No carry for result
	0FFFFh Result was negative	1 Result has a carry

15.2.2.1 MACS Underflow and Overflow

The multiplier does not automatically detect underflow or overflow in MACS mode. For example, working with 16-bit input data and 32-bit results (that is, using only RESLO and RESHI), the available range for positive numbers is 0 to 07FFF FFFFh and for negative numbers is 0FFFF FFFFh to 08000 0000h. An underflow occurs when the sum of two negative numbers yields a result that is in the range for a positive number. An overflow occurs when the sum of two positive numbers yields a result that is in the range for a negative number.

The SUMEXT register contains the sign of the result in both cases described above, 0FFFFh for a 32-bit overflow and 0000h for a 32-bit underflow. The MPYC bit in MPY32CTL0 can be used to detect the overflow condition. If the carry is different from the sign reflected by the SUMEXT register, an overflow or underflow occurred. User software must handle these conditions appropriately.

15.2.3 Software Examples

Examples for all multiplier modes follow. All 8x8 modes use the absolute address for the registers, because the assembler does not allow .B access to word registers when using the labels from the standard definitions file.

There is no sign extension necessary in software. Accessing the multiplier with a byte instruction during a signed operation automatically causes a sign extension of the byte within the multiplier module.

```

; 32x32 Unsigned Multiply
    MOV    #01234h,&MPY32L    ; Load low word of 1st operand
    MOV    #01234h,&MPY32H    ; Load high word of 1st operand
    MOV    #05678h,&OP2L     ; Load low word of 2nd operand
    MOV    #05678h,&OP2H     ; Load high word of 2nd operand
;    ...                      ; Process results

; 16x16 Unsigned Multiply
    MOV    #01234h,&MPY      ; Load 1st operand
    MOV    #05678h,&OP2     ; Load 2nd operand
;    ...                      ; Process results

; 8x8 Unsigned Multiply. Absolute addressing.
    MOV.B  #012h,&MPY_B     ; Load 1st operand
    MOV.B  #034h,&OP2_B     ; Load 2nd operand
;    ...                      ; Process results

; 32x32 Signed Multiply
    MOV    #01234h,&MPYS32L  ; Load low word of 1st operand
    MOV    #01234h,&MPYS32H  ; Load high word of 1st operand
    MOV    #05678h,&OP2L     ; Load low word of 2nd operand
    MOV    #05678h,&OP2H     ; Load high word of 2nd operand
;    ...                      ; Process results

; 16x16 Signed Multiply
    MOV    #01234h,&MPYS     ; Load 1st operand
    MOV    #05678h,&OP2     ; Load 2nd operand
;    ...                      ; Process results

; 8x8 Signed Multiply. Absolute addressing.
    MOV.B  #012h,&MPYS_B    ; Load 1st operand
    MOV.B  #034h,&OP2_B    ; Load 2nd operand
;    ...                      ; Process results

```

15.2.4 Fractional Numbers

The MPY32 provides support for fixed-point signal processing. In fixed-point signal processing, fractional numbers are numbers that have a fixed number of digits after (and sometimes also before) the radix point. To classify different ranges of binary fixed-point numbers, a Q-format is used. Different Q-formats represent different locations of the radix point. Figure 15-2 shows the format of a signed Q15 number using 16 bits. Every bit after the radix point has a resolution of 1/2, and the most significant bit (MSB) is used as the sign bit. The most negative number is 08000h and the maximum positive number is 07FFFh. This gives a range from -1.0 to 0.999969482 ≈ 1.0 for the signed Q15 format with 16 bits.

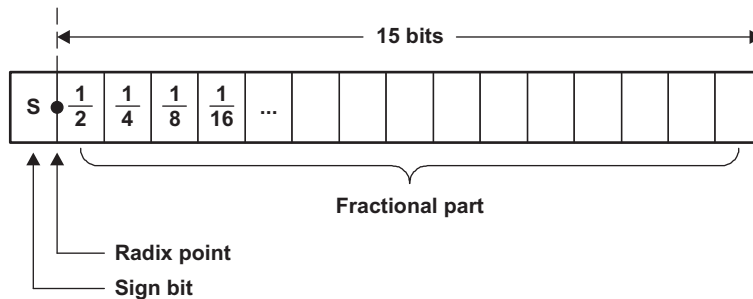


Figure 15-2. Q15 Format Representation

The range can be increased by shifting the radix point to the right as shown in Figure 15-3. The signed Q14 format with 16 bits gives a range from -2.0 to 1.999938965 ≈ 2.0.

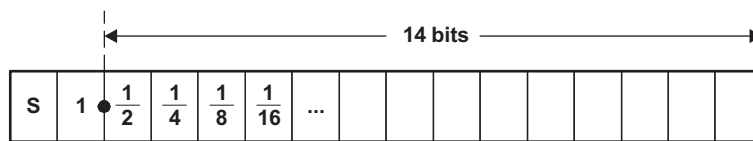


Figure 15-3. Q14 Format Representation

The benefit of using 16-bit signed Q15 or 32-bit signed Q31 numbers with multiplication is that the product of two numbers in the range from -1.0 to 1.0 is always in that same range.

15.2.4.1 Fractional Number Mode

Multiplying two fractional numbers using the default multiplication mode with MPYFRAC = 0 and MPYSAT = 0 gives a result with two sign bits. For example, if two 16-bit Q15 numbers are multiplied, a 32-bit result in Q30 format is obtained. To convert the result into Q15 format manually, the first 15 trailing bits and the extended sign bit must be removed. However, when the fractional mode of the multiplier is used, the redundant sign bit is automatically removed, yielding a result in Q31 format for the multiplication of two 16-bit Q15 numbers. Reading the result register RES1 gives the result as 16-bit Q15 number. The 32-bit Q31 result of a multiplication of two 32-bit Q31 numbers is accessed by reading registers RES2 and RES3.

The fractional mode is enabled with MPYFRAC = 1 in register MPY32CTL0. The actual content of the result register(s) is not modified when MPYFRAC = 1. When the result is accessed using software, the value is left shifted one bit, resulting in the final Q formatted result. This allows user software to switch between reading both the shifted (fractional) and the unshifted result. The fractional mode should only be enabled when required and disabled after use.

In fractional mode, the SUMEXT register contains the sign extended bits 32 and 33 of the shifted result for 16x16-bit operations and bits 64 and 65 for 32x32-bit operations – not only bits 32 or 64, respectively.

The MPYC bit is not affected by the fractional mode. It always reads the carry of the nonfractional result.

```

; Example using
; Fractional 16x16 multiplication
BIS      #MPYFRAC, &MPY32CTL0 ; Turn on fractional mode
MOV      &FRACT1, &MPYS      ; Load 1st operand as Q15
MOV      &FRACT2, &OP2       ; Load 2nd operand as Q15
MOV      &RES1, &PROD        ; Save result as Q15
BIC      #MPYFRAC, &MPY32CTL0 ; Back to normal mode

```

Table 15-5. Result Availability in Fractional Mode (MPYFRAC = 1, MPYSAT = 0)

Operation (OP1 × OP2)	Result Ready in MCLK Cycles					After
	RES0	RES1	RES2	RES3	MPYC Bit	
8/16 × 8/16	3	3	4	4	3	OP2 written
24/32 × 8/16	3	5	6	7	7	OP2 written
8/16 × 24/32	3	5	6	7	7	OP2L written
	N/A	3	4	4	4	OP2H written
24/32 × 24/32	3	8	10	11	11	OP2L written
	N/A	3	5	6	6	OP2H written

15.2.4.2 Saturation Mode

The multiplier prevents overflow and underflow of signed operations in saturation mode. The saturation mode is enabled with MPYSAT = 1 in register MPY32CTL0. If an overflow occurs, the result is set to the most-positive value available. If an underflow occurs, the result is set to the most-negative value available. This is useful to reduce mathematical artifacts in control systems on overflow and underflow conditions. The saturation mode should only be enabled when required and disabled after use.

The actual content of the result register(s) is not modified when MPYSAT = 1. When the result is accessed using software, the value is automatically adjusted to provide the most-positive or most-negative result when an overflow or underflow has occurred. The adjusted result is also used for successive multiply-and-accumulate operations. This allows user software to switch between reading the saturated and the nonsaturated result.

With 16×16 operations, the saturation mode only applies to the least significant 32 bits; that is, the result registers RES0 and RES1. Using the saturation mode in MAC or MACS operations that mix 16×16 operations with 32×32, 16×32, or 32×16 operations leads to unpredictable results.

With 32×32, 16×32, and 32×16 operations, the saturated result can only be calculated when RES3 is ready.

Enabling the saturation mode does not affect the content of the SUMEXT register nor the content of the MPYC bit.

```

; Example using
; Fractional 16x16 multiply accumulate with Saturation
; Turn on fractional and saturation mode:
BIS      #MPYSAT+MPYFRAC, &MPY32CTL0
MOV      &A1, &MPYS          ; Load A1 for 1st term
MOV      &K1, &OP2          ; Load K1 to get A1*K1
MOV      &A2, &MACS         ; Load A2 for 2nd term
MOV      &K2, &OP2          ; Load K2 to get A2*K2
MOV      &RES1, &PROD       ; Save A1*K1+A2*K2 as result
BIC      #MPYSAT+MPYFRAC, &MPY32CTL0 ; turn back to normal

```

Table 15-6. Result Availability in Saturation Mode (MPYSAT = 1)

Operation (OP1 x OP2)	Result Ready in MCLK Cycles					After
	RES0	RES1	RES2	RES3	MPYC Bit	
8/16 x 8/16	3	3	N/A	N/A	3	OP2 written
24/32 x 8/16	7	7	7	7	7	OP2 written
8/16 x 24/32	7	7	7	7	7	OP2L written
	4	4	4	4	4	OP2H written
24/32 x 24/32	11	11	11	11	11	OP2L written
	6	6	6	6	6	OP2H written

Figure 15-4 shows the flow for 32-bit saturation used for 16x16 bit multiplications and the flow for 64-bit saturation used in all other cases. Primarily, the saturated results depends on the carry bit MPYC and the MSB of the result. Secondly, if the fractional mode is enabled, it depends also on the two MSBs of the unshift result, that is, the result that is read with fractional mode disabled.

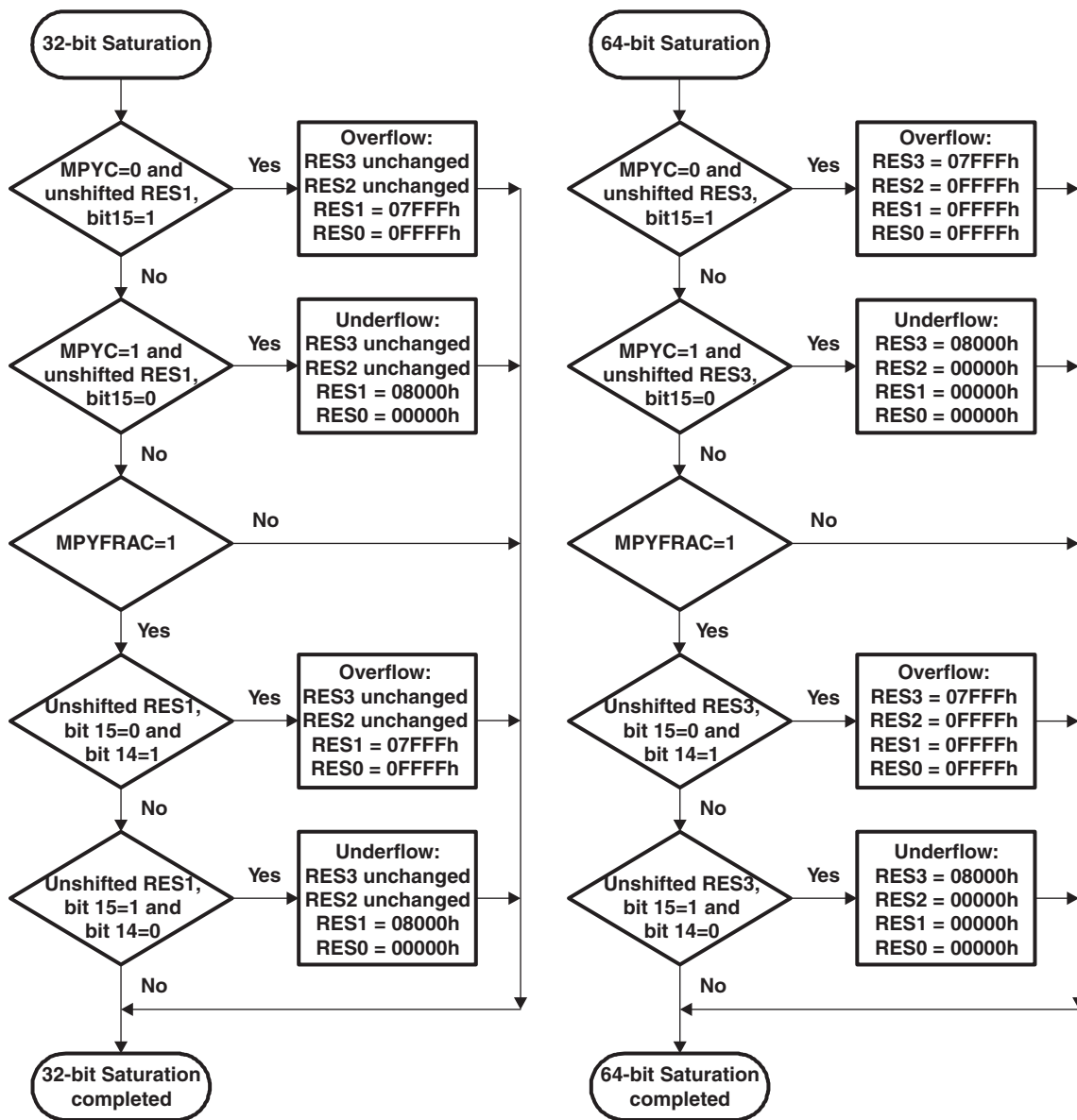


Figure 15-4. Saturation Flow Chart

NOTE: Saturation in fractional mode

In case of multiplying -1.0×-1.0 in fractional mode, the result of $+1.0$ is out of range, thus, the saturated result gives the most positive result.

When using multiply-and-accumulate operations, the accumulated values are saturated as if $MPYFRAC = 0$; only during read accesses to the result registers the values are saturated taking the fractional mode into account. This provides additional dynamic range during the calculation and only the end result is then saturated if needed.

The following example illustrates a special case showing the saturation function in fractional mode. It also uses the 8-bit functionality of the MPY32 module.

```

; Turn on fractional and saturation mode,
; clear all other bits in MPY32CTL0:
MOV      #MPYSAT+MPYFRAC,&MPY32CTL0
;Pre-load result registers to demonstrate overflow
MOV      #0,&RES3          ;
MOV      #0,&RES2          ;
MOV      #07FFFh,&RES1     ;
MOV      #0FA60h,&RES0     ;
MOV.B    #050h,&MACS_B     ; 8-bit signed MAC operation
MOV.B    #012h,&OP2_B      ; Start 16x16 bit operation
MOV      &RES0,R6          ; R6 = 0FFFFh
MOV      &RES1,R7          ; R7 = 07FFFh

```

The result is saturated because already the result not converted into a fractional number shows an overflow. The multiplication of the two positive numbers $00050h$ and $00012h$ gives $005A0h$. $005A0h$ added to $07FFF\ FA60h$ results in $8000\ 059Fh$, without $MPYC$ being set. Because the MSB of the unmodified result $RES1$ is 1 and $MPYC = 0$, the result is saturated according [Figure 15-4](#).

NOTE: Validity of saturated result

The saturated result is valid only if the registers $RES0$ to $RES3$, the size of $OP1$ and $OP2$, and $MPYC$ are not modified.

If the saturation mode is used with a preloaded result, user software must ensure that $MPYC$ in the $MPY32CTL0$ register is loaded with the sign bit of the written result; otherwise, the saturation mode erroneously saturates the result.

15.2.5 Putting It All Together

[Figure 15-5](#) shows the complete multiplication flow, depending on the various selectable modes for the MPY32 module.

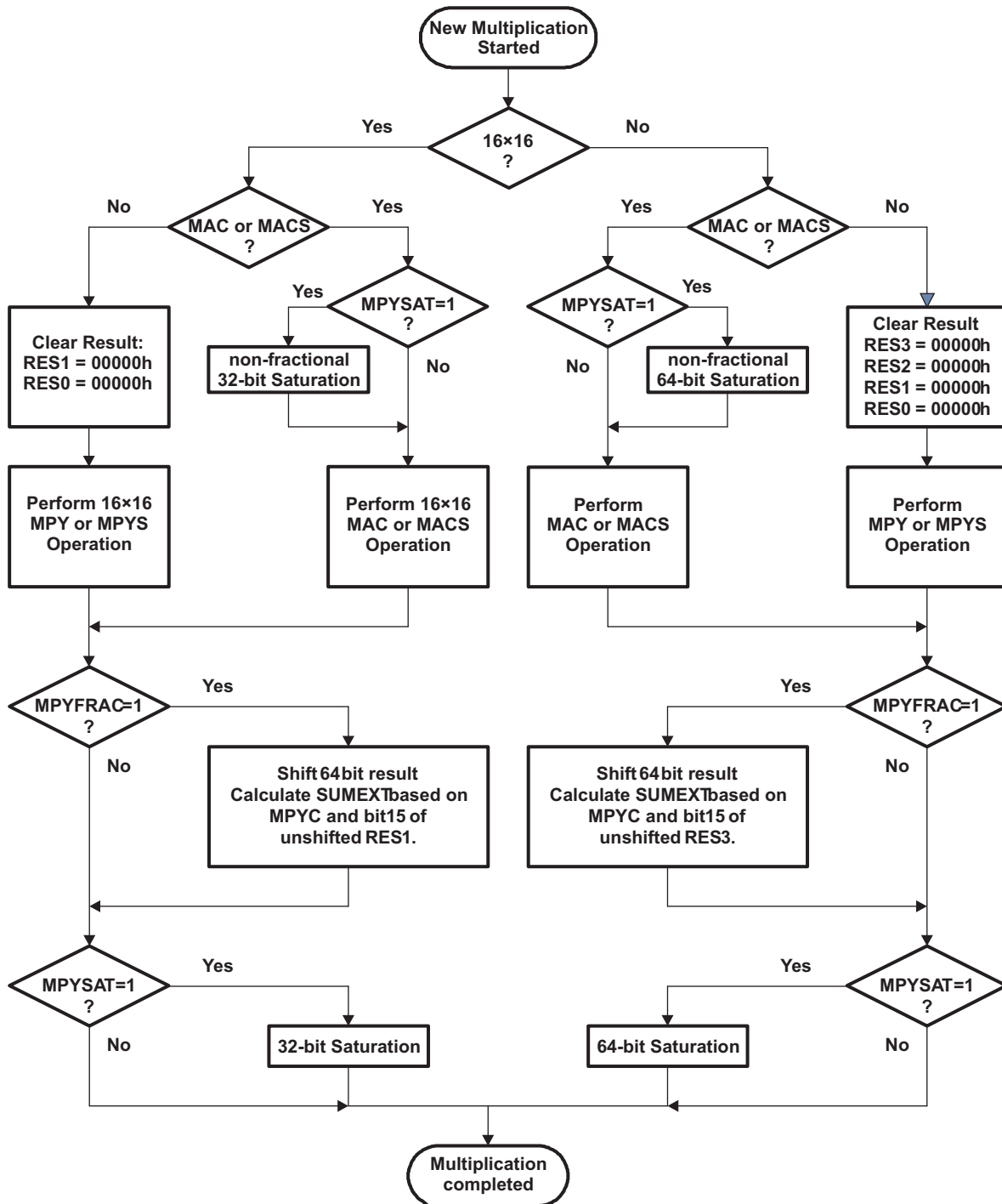


Figure 15-5. Multiplication Flow Chart

Given the separation in processing of 16-bit operations (32-bit results) and 32-bit operations (64-bit results) by the module, it is important to understand the implications when using MAC/MACS operations and mixing 16-bit operands or results with 32-bit operands or results. User software must address these points during use when mixing these operations. The following code illustrates the issue.

```

; Mixing 32x24 multiplication with 16x16 MACS operation
MOV     #MPYSAT,&MPY32CTL0    ; Saturation mode
MOV     #052C5h,&MPY32L      ; Load low word of 1st operand
MOV     #06153h,&MPY32H      ; Load high word of 1st operand
MOV     #001ABh,&OP2L        ; Load low word of 2nd operand
MOV.B   #023h,&OP2H_B        ; Load high word of 2nd operand
; ... 5 NOPs required

MOV     &RES0,R6              ; R6 = 00E97h
MOV     &RES1,R7              ; R7 = 0A6EAh
MOV     &RES2,R8              ; R8 = 04F06h
MOV     &RES3,R9              ; R9 = 0000Dh
; Note that MPYC = 0!

MOV     #0CCC3h,&MACS         ; Signed MAC operation
MOV     #0FFB6h,&OP2          ; 16x16 bit operation
MOV     &RESLO,R6             ; R6 = 0FFFFh
MOV     &RESHI,R7            ; R7 = 07FFFh

```

The second operation gives a saturated result because the 32-bit value used for the 16x16-bit MACS operation was already saturated when the operation was started; the carry bit MPYC was 0 from the previous operation, but the MSB in result register RES1 is set. As one can see in the flow chart, the content of the result registers are saturated for multiply-and-accumulate operations after starting a new operation based on the previous results, but depending on the size of the result (32 bit or 64 bit) of the newly initiated operation.

The saturation before the multiplication can cause issues if the MPYC bit is not properly set as the following code shows.

```

;Pre-load result registers to demonstrate overflow
MOV     #0,&RES3              ;
MOV     #0,&RES2              ;
MOV     #0,&RES1              ;
MOV     #0,&RES0              ;
; Saturation mode and set MPYC:
MOV     #MPYSAT+MPYC,&MPY32CTL0
MOV.B   #082h,&MACS_B        ; 8-bit signed MAC operation
MOV.B   #04Fh,&OP2_B         ; Start 16x16 bit operation
MOV     &RES0,R6              ; R6 = 00000h
MOV     &RES1,R7              ; R7 = 08000h

```

Even though the result registers were loaded with all zeros, the final result is saturated. This is because the MPYC bit was set, causing the result used for the multiply-and-accumulate to be saturated to 08000 0000h. Adding a negative number to it would again cause an underflow, thus, the final result is also saturated to 08000 0000h.

15.2.6 Indirect Addressing of Result Registers

When using indirect or indirect autoincrement addressing mode to access the result registers and the multiplier requires three cycles until result availability according to [Table 15-1](#), at least one instruction is needed between loading the second operand and accessing the result registers:

```

; Access multiplier 16x16 results with indirect addressing
MOV    #RES0,R5          ; RES0 address in R5 for indirect
MOV    &OPER1,&MPY        ; Load 1st operand
MOV    &OPER2,&OP2        ; Load 2nd operand
NOP                                ; Need one cycle
MOV    @R5+,&xxx          ; Move RES0
MOV    @R5,&xxx           ; Move RES1
    
```

In case of a 32x16 multiplication, there is also one instruction required between reading the first result register RES0 and the second result register RES1:

```

; Access multiplier 32x16 results with indirect addressing
MOV    #RES0,R5          ; RES0 address in R5 for indirect
MOV    &OPER1L,&MPY32L    ; Load low word of 1st operand
MOV    &OPER1H,&MPY32H    ; Load high word of 1st operand
MOV    &OPER2,&OP2        ; Load 2nd operand (16 bits)
NOP                                ; Need one cycle
MOV    @R5+,&xxx          ; Move RES0
NOP                                ; Need one additional cycle
MOV    @R5,&xxx           ; Move RES1
                                ; No additional cycles required!
MOV    @R5,&xxx           ; Move RES2
    
```

15.2.7 Using Interrupts

If an interrupt occurs after writing OP, but before writing OP2, and the multiplier is used in servicing that interrupt, the original multiplier mode selection is lost and the results are unpredictable. To avoid this, disable interrupts before using the MPY32, do not use the MPY32 in interrupt service routines, or use the save and restore functionality of the MPY32.

```

; Disable interrupts before using the hardware multiplier
DINT                                ; Disable interrupts
NOP                                ; Required for DINT
MOV    #xxh,&MPY          ; Load 1st operand
MOV    #xxh,&OP2          ; Load 2nd operand
EINT                                ; Interrupts may be enabled before
                                ; processing results if result
                                ; registers are stored and restored in
                                ; interrupt service routines
    
```

15.2.7.1 Save and Restore

If the multiplier is used in interrupt service routines, its state can be saved and restored using the MPY32CTL0 register. The following code example shows how the complete multiplier status can be saved and restored to allow interruptible multiplications together with the usage of the multiplier in interrupt service routines. Because the state of the MPYSAT and MPYFRAC bits are unknown, they should be cleared before the registers are saved as shown in the code example.

```

; Interrupt service routine using multiplier
MPY_USING_ISR
    PUSH    &MPY32CTL0      ; Save multiplier mode, etc.
    BIC     #MPYSAT+MPYFRAC,&MPY32CTL0
                                ; Clear MPYSAT+MPYFRAC

    PUSH    &RES3           ; Save result 3
    PUSH    &RES2           ; Save result 2
    PUSH    &RES1           ; Save result 1
    PUSH    &RES0           ; Save result 0
    PUSH    &MPY32H        ; Save operand 1, high word
    PUSH    &MPY32L        ; Save operand 1, low word
    PUSH    &OP2H          ; Save operand 2, high word
    PUSH    &OP2L          ; Save operand 2, low word
                                ;
    ...                          ; Main part of ISR
                                ; Using standard MPY routines
                                ;

    POP     &OP2L          ; Restore operand 2, low word
    POP     &OP2H          ; Restore operand 2, high word
                                ; Starts dummy multiplication but
                                ; result is overwritten by
                                ; following restore operations:

    POP     &MPY32L        ; Restore operand 1, low word
    POP     &MPY32H        ; Restore operand 1, high word
    POP     &RES0          ; Restore result 0
    POP     &RES1          ; Restore result 1
    POP     &RES2          ; Restore result 2
    POP     &RES3          ; Restore result 3
    POP     &MPY32CTL0    ; Restore multiplier mode, etc.
    reti                                ; End of interrupt service routine

```

15.2.8 Using DMA

In devices with a DMA controller, the multiplier can trigger a transfer when the complete result is available. The DMA controller needs to start reading the result with MPY32RES0 successively up to MPY32RES3. Not all registers need to be read. The trigger timing is such that the DMA controller starts reading MPY32RES0 when its ready, and that the MPY32RES3 can be read exactly in the clock cycle when it is available to allow fastest access via DMA. The signal into the DMA controller is 'Multiplier ready' (see the DMA Controller chapter for details).

15.3 MPY32 Registers

MPY32 registers are listed in [Table 15-7](#). The base address can be found in the device-specific data sheet. The address offsets are listed in [Table 15-7](#).

NOTE: All registers have word or byte register access. For a generic register *ANYREG*, the suffix "_L" (*ANYREG_L*) refers to the lower byte of the register (bits 0 through 7). The suffix "_H" (*ANYREG_H*) refers to the upper byte of the register (bits 8 through 15).

Table 15-7. MPY32 Registers

Offset	Acronym	Register Name	Type	Access	Reset
00h	MPY	16-bit operand one – multiply	Read/write	Word	Undefined
00h	MPY_L		Read/write	Byte	Undefined
01h	MPY_H		Read/write	Byte	Undefined
00h	MPY_B	8-bit operand one – multiply	Read/write	Byte	Undefined
02h	MPYS	16-bit operand one – signed multiply	Read/write	Word	Undefined
02h	MPYS_L		Read/write	Byte	Undefined
03h	MPYS_H		Read/write	Byte	Undefined
02h	MPYS_B	8-bit operand one – signed multiply	Read/write	Byte	Undefined
04h	MAC	16-bit operand one – multiply accumulate	Read/write	Word	Undefined
04h	MAC_L		Read/write	Byte	Undefined
05h	MAC_H		Read/write	Byte	Undefined
04h	MAC_B	8-bit operand one – multiply accumulate	Read/write	Byte	Undefined
06h	MACS	16-bit operand one – signed multiply accumulate	Read/write	Word	Undefined
06h	MACS_L		Read/write	Byte	Undefined
07h	MACS_H		Read/write	Byte	Undefined
06h	MACS_B	8-bit operand one – signed multiply accumulate	Read/write	Byte	Undefined
08h	OP2	16-bit operand two	Read/write	Word	Undefined
08h	OP2_L		Read/write	Byte	Undefined
09h	OP2_H		Read/write	Byte	Undefined
08h	OP2_B	8-bit operand two	Read/write	Byte	Undefined
0Ah	RESLO	16x16-bit result low word	Read/write	Word	Undefined
0Ah	RESLO_L		Read/write	Byte	Undefined
0Ch	RESHI	16x16-bit result high word	Read/write	Word	Undefined
0Eh	SUMEXT	16x16-bit sum extension register	Read	Word	Undefined
10h	MPY32L	32-bit operand 1 – multiply – low word	Read/write	Word	Undefined
10h	MPY32L_L		Read/write	Byte	Undefined
11h	MPY32L_H		Read/write	Byte	Undefined
12h	MPY32H	32-bit operand 1 – multiply – high word	Read/write	Word	Undefined
12h	MPY32H_L		Read/write	Byte	Undefined
13h	MPY32H_H		Read/write	Byte	Undefined
12h	MPY32H_B	24-bit operand 1 – multiply – high byte	Read/write	Byte	Undefined
14h	MPYS32L	32-bit operand 1 – signed multiply – low word	Read/write	Word	Undefined
14h	MPYS32L_L		Read/write	Byte	Undefined
15h	MPYS32L_H		Read/write	Byte	Undefined
16h	MPYS32H	32-bit operand 1 – signed multiply – high word	Read/write	Word	Undefined
16h	MPYS32H_L		Read/write	Byte	Undefined
17h	MPYS32H_H		Read/write	Byte	Undefined
16h	MPYS32H_B	24-bit operand 1 – signed multiply – high byte	Read/write	Byte	Undefined
18h	MAC32L	32-bit operand 1 – multiply accumulate – low word	Read/write	Word	Undefined

Table 15-7. MPY32 Registers (continued)

Offset	Acronym	Register Name	Type	Access	Reset
18h	MAC32L_L		Read/write	Byte	Undefined
19h	MAC32L_H		Read/write	Byte	Undefined
1Ah	MAC32H	32-bit operand 1 – multiply accumulate – high word	Read/write	Word	Undefined
1Ah	MAC32H_L		Read/write	Byte	Undefined
1Bh	MAC32H_H		Read/write	Byte	Undefined
1Ah	MAC32H_B	24-bit operand 1 – multiply accumulate – high byte	Read/write	Byte	Undefined
1Ch	MACS32L	32-bit operand 1 – signed multiply accumulate – low word	Read/write	Word	Undefined
1Ch	MACS32L_L		Read/write	Byte	Undefined
1Dh	MACS32L_H		Read/write	Byte	Undefined
1Eh	MACS32H	32-bit operand 1 – signed multiply accumulate – high word	Read/write	Word	Undefined
1Eh	MACS32H_L		Read/write	Byte	Undefined
1Fh	MACS32H_H		Read/write	Byte	Undefined
1Eh	MACS32H_B	24-bit operand 1 – signed multiply accumulate – high byte	Read/write	Byte	Undefined
20h	OP2L	32-bit operand 2 – low word	Read/write	Word	Undefined
20h	OP2L_L		Read/write	Byte	Undefined
21h	OP2L_H		Read/write	Byte	Undefined
22h	OP2H	32-bit operand 2 – high word	Read/write	Word	Undefined
22h	OP2H_L		Read/write	Byte	Undefined
23h	OP2H_H		Read/write	Byte	Undefined
22h	OP2H_B	24-bit operand 2 – high byte	Read/write	Byte	Undefined
24h	RES0	32x32-bit result 0 – least significant word	Read/write	Word	Undefined
24h	RES0_L		Read/write	Byte	Undefined
26h	RES1	32x32-bit result 1	Read/write	Word	Undefined
28h	RES2	32x32-bit result 2	Read/write	Word	Undefined
2Ah	RES3	32x32-bit result 3 – most significant word	Read/write	Word	Undefined
2Ch	MPY32CTL0	MPY32 control register 0	Read/write	Word	Undefined
2Ch	MPY32CTL0_L		Read/write	Byte	Undefined
2Dh	MPY32CTL0_H		Read/write	Byte	00h

The registers listed in [Table 15-8](#) are treated equally.

Table 15-8. Alternative Registers

Register	Alternative 1	Alternative 2
16-bit operand one – multiply	MPY	MPY32L
8-bit operand one – multiply	MPY_B or MPY_L	MPY32L_B or MPY32L_L
16-bit operand one – signed multiply	MPYS	MPYS32L
8-bit operand one – signed multiply	MPYS_B or MPYS_L	MPYS32L_B or MPYS32L_L
16-bit operand one – multiply accumulate	MAC	MAC32L
8-bit operand one – multiply accumulate	MAC_B or MAC_L	MAC32L_B or MAC32L_L
16-bit operand one – signed multiply accumulate	MACS	MACS32L
8-bit operand one – signed multiply accumulate	MACS_B or MACS_L	MACS32L_B or MACS32L_L
16x16-bit result low word	RESLO	RES0
16x16-bit result high word	RESHI	RES1

15.3.1 MPY32CTL0 Register

32-Bit Hardware Multiplier Control 0 Register

Figure 15-6. MPY32CTL0 Register

15	14	13	12	11	10	9	8
Reserved						MPYDLY32	MPYDLYWRTE N
r-0	r-0	r-0	r-0	r-0	r-0	rw-0	rw-0
7	6	5	4	3	2	1	0
MPYOP2_32	MPYOP1_32	MPYMx		MPYSAT	MPYFRAC	Reserved	MPYC
rw	rw	rw	rw	rw-0	rw-0	rw-0	rw

Table 15-9. MPY32CTL0 Register Description

Bit	Field	Type	Reset	Description
15-10	Reserved	R	0h	Reserved. Always reads as 0.
9	MPYDLY32	RW	0h	Delayed write mode 0b = Writes are delayed until 64-bit result (RES0 to RES3) is available. 1b = Writes are delayed until 32-bit result (RES0 to RES1) is available.
8	MPYDLYWRTE N	RW	0h	Delayed write enable All writes to any MPY32 register are delayed until the 64-bit (MPYDLY32 = 0) or 32-bit (MPYDLY32 = 1) result is ready. 0b = Writes are not delayed. 1b = Writes are delayed.
7	MPYOP2_32	RW	0h	Multiplier bit width of operand 2 0b = 16 bits 1b = 32 bits
6	MPYOP1_32	RW	0h	Multiplier bit width of operand 1 0b = 16 bits 1b = 32 bits
5-4	MPYMx	RW	0h	Multiplier mode 00b = MPY – Multiply 01b = MPYS – Signed multiply 10b = MAC – Multiply accumulate 11b = MACS – Signed multiply accumulate
3	MPYSAT	RW	0h	Saturation mode 0b = Saturation mode disabled 1b = Saturation mode enabled
2	MPYFRAC	RW	0h	Fractional mode 0b = Fractional mode disabled 1b = Fractional mode enabled
1	Reserved	RW	0h	Reserved. Always reads as 0.
0	MPYC	RW	0h	Carry of the multiplier. It can be considered as 33rd or 65th bit of the result if fractional or saturation mode is not selected, because the MPYC bit does not change when switching to saturation or fractional mode. It is used to restore the SUMEXT content in MAC mode. 0b = No carry for result 1b = Result has a carry

The REF module is a general purpose reference system that is used to generate voltage references required for other subsystems available on a given device such as digital-to-analog converters, analog-to-digital converters, comparators, etc. This chapter describes the REF module.

Topic	Page
16.1 REF Introduction	465
16.2 Principle of Operation	467
16.3 REF Registers	471

16.1 REF Introduction

The reference module (REF) is responsible for generation of all critical reference voltages that can be used by various analog peripherals in a given device. These include, but are not necessarily limited to, the ADC10_A, ADC12_A, DAC12_A, LCD_B, and COMP_B modules dependent upon the particular device. The heart of the reference system is the bandgap from which all other references are derived by unity or non-inverting gain stages. The REFGEN subsystem consists of the bandgap, the bandgap bias, and the non-inverting buffer stage which generates the three primary voltage reference available in the system, namely 1.5 V, 2.0 V, and 2.5 V. In addition, when enabled, a buffered bandgap voltage is also available.

Features of the REF include:

- Centralized, factory trimmed bandgap with excellent PSRR, temperature coefficient, and accuracy
- 1.5-V, 2.0-V, or 2.5-V user selectable internal references
- Buffered bandgap voltage available to rest of system
- Power saving features
- Backward compatibility to existing reference system

The block diagram of the REF module (example of a device with ADC12_A) is shown in [Figure 16-1](#).

Devices with ADC10_A might not include the reference voltage output to the external pad. Please refer to the device-specific data sheet.

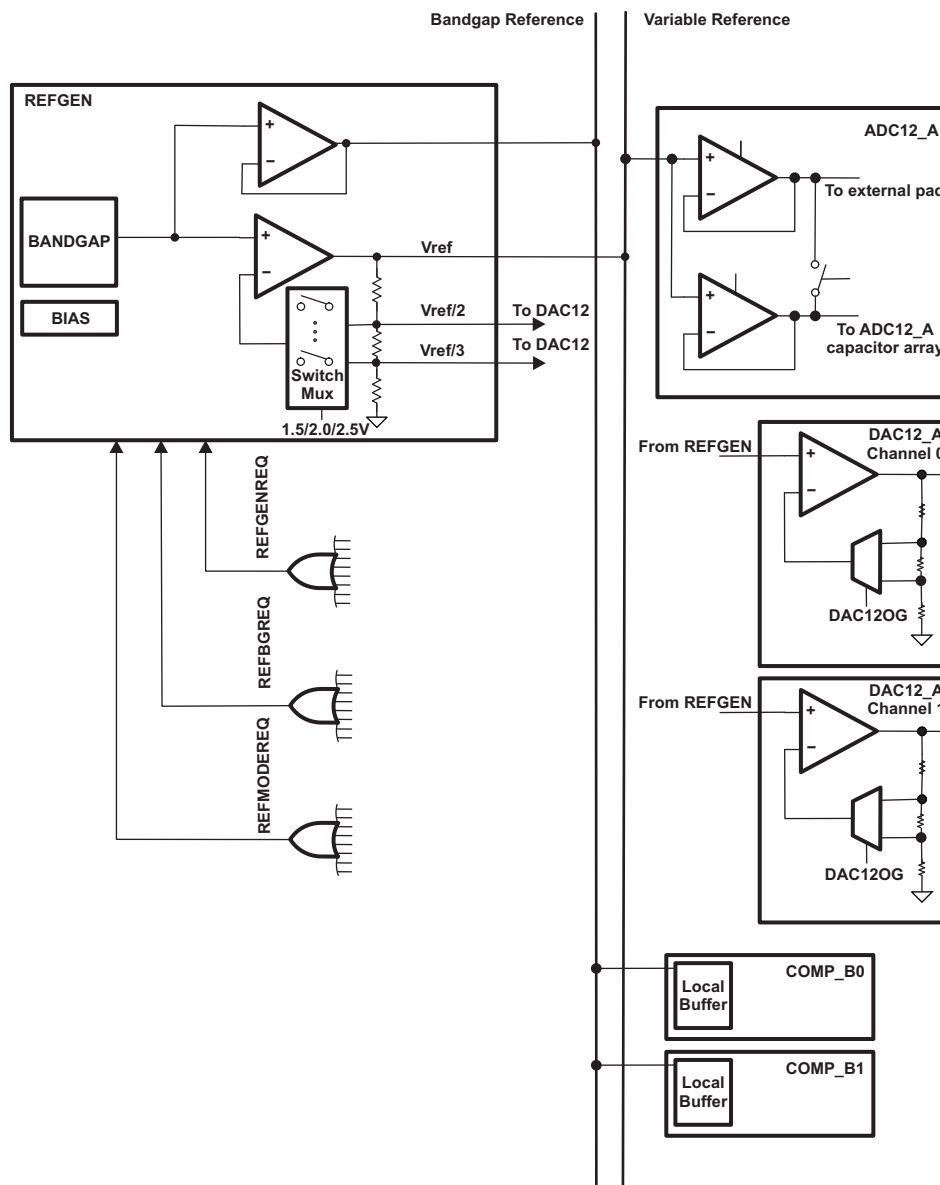


Figure 16-1. REF Block Diagram

16.2 Principle of Operation

The REF module provides all the necessary voltage references to be used by various peripheral modules throughout the system. These may include, but are not limited to, devices that contain an ADC10_A, ADC12_A, DAC12_A, LCD_B, or COMP_B.

The REFGEN subsystem contains a high-performance bandgap. This bandgap has very good accuracy (factory trimmed), low temperature coefficient, and high PSRR while operating at low power. The bandgap voltage is used to generate three voltages via a non-inverting amplifier stage, namely 1.5 V, 2.0 V, and 2.5 V. One voltage can be selected at a time. One output of the REFGEN subsystem is the variable reference line. The variable reference line provides either 1.5 V, 2.0 V, or 2.5 V to the rest of the system. A second output of the REFGEN subsystem provides a buffered bandgap reference line that can also be used by modules throughout the system. Additionally, the REFGEN supports voltage references required for the DAC12_A module, when available. Lastly, the REFGEN subsystem also includes the temperature sensor circuitry, because it is derived from the bandgap. The temperature sensor is used by an ADC to measure a voltage proportional to temperature.

16.2.1 Low-Power Operation

The REF module is capable of supporting low-power applications such as LCD generation. Many of these applications do not require a very accurate reference, compared to data conversion, yet power is of prime concern. To support these kinds of applications, the bandgap is capable of being used in a sampled mode. In sampled mode, the bandgap circuitry is clocked via the VLO at an appropriate duty cycle. This reduces the average power of the bandgap circuitry significantly, at the cost of accuracy. When not in sampled mode, the bandgap is in static mode. Its power is at its highest, but so is its accuracy.

Modules automatically can request static mode or sampled mode via their own individual request lines. In this way, the particular module determines what mode is appropriate for its proper operation and performance. Any one active module that requests static mode causes all other modules to use static mode, even if another module is requesting sampled mode. In other words, static mode always has higher priority than sampled mode.

16.2.2 REFCTL

The REFCTL registers provide a way to control the reference system from one centralized set of registers. By default, REFCTL is used as the primary control of the reference system.

16.2.2.1 REFMSTR = 1

This mode is implemented in all devices with ADC10_A. Also all ADC12_A devices except for MSP430F5438 and MSP430F5438A support this mode.

Setting the reference master bit (REFMSTR = 1), allows the reference system to be controlled via the REFCTL register. This is the default setting.

Devices with ADC12_A: In this mode (REFMSTR = 1), the legacy control bits inside the ADC register set (ADC12REFON, ADC12REF2_5, ADC12TCOFF, and ADC12REFOUT) are do not care. The ADC12SR and ADC12REFBURST are still controlled via the ADC12_A, because these are very specific to the ADC12_A module. If REFMSTR is cleared, all settings in the REFCTL are do not care and the reference system is controlled completely by the legacy control bits inside the ADC12_A module.

Devices with ADC10_A: This is the only mode supported. REFMSTR must be set at all times. ADC10SR is controlled via the ADC10_A, because these are very specific to the ADC10_A module.

[Table 16-1](#) summarizes the REFCTL bits and their effect on the REF module.

Table 16-1. REF Control of Reference System (REFMSTR = 1) (Default)

REF Register Setting	Function
REFON	Setting this bit enables the REFGEN subsystem which includes the bandgap, the bandgap bias circuitry, and the 1.5-V, 2.0-V, 2.5-V buffer. Setting this bit causes the REFGEN subsystem to remain enabled regardless of whether or not any module has requested it. Clearing this bit disables the REFGEN subsystem only when there are no pending requests for REFGEN from any module. REFON must also be set to enable the temperature sensor when required.
REFVSEL	Selects 1.5 V, 2.0 V, or 2.5 V to be present on the variable reference line when REFON = 1 or REFGEN is requested by any module.
REFOUT	Setting this bits enables the variable reference line voltage to be present external to the device via a buffer (external reference buffer).
REFTCOFF	Setting this bit disables the temperature sensor (when available) to conserve power.

16.2.2.2 REFMSTR = 0

This setting is applicable to devices with ADC12_A.

On legacy devices, the ADC12_A provided the control bits necessary to configure the reference system, namely ADC12REFON, ADC12REF2_5, ADC12TCOFF, ADC12REFOUT, ADC12SR, and ADC12REFBURST. The ADC12SR and ADC12REFBURST bits are very specific to the ADC12 operation and therefore are not included in REFCTL. All legacy control bits can still be used to configure the reference system allowing for backward compatibility by clearing REFMSTR. In this case, the REFCTL register bits are a 'do not care'.

Devices with ADC10_A do not support this mode. REFMSTR bit must not be cleared.

[Table 16-2](#) summarizes the ADC12_A control bits and their effect on the REF module. Please see the ADC12_A module description for further details.

NOTE: Although the REF module supports using the ADC12_A bits as control for the reference system, it is recommended that the use of the new REFCTL register be used and older code migrated to this methodology. This allows the logical partitioning of the reference system to be separate from the ADC12_A system and forms a more natural partitioning for future products.

Table 16-2. Control of Reference System (REFMSTR = 0, ADC12_A only)

ADC12_A Register Setting	Function
ADC12REFON	Setting this bit enables the REFGEN subsystem which includes the bandgap, the bandgap bias circuitry, and the 1.5-V, 2.0-V, 2.5-V buffer. Setting this bit causes the REFGEN subsystem to remain enabled regardless if any module has requested it. Clearing this bit disables the REFGEN subsystem only when there are no pending requests for REFGEN from all modules.
ADC12REF2_5	Setting this bits causes 2.5 V to be present on the variable reference line when ADC12REFON = 1. Clearing this bit causes 1.5 V to be present on the variable reference line when ADC12REFON = 1.
ADC12REFOUT	Setting this bits enables the variable reference line voltage to be present external to the device via a buffer (external reference buffer).
ADC12TCOFF	Setting this bit disables the temperature sensor to conserve power.

As stated previously, the ADC12REFBURST does have an effect on the reference system and can be controlled via the ADC12_A. This bit is in effect regardless if REFCTL or the ADC12_A is controlling the reference system. Setting ADC12REFBURST = 1 enables burst mode when REFON = 1 and REFMSTR = 1 or when ADC12REFON = 1 and REFMSTR = 0. In burst mode, the internal buffer (ADC12REFOUT = 0) or the external buffer (ADC12REFOUT = 1) is enabled only during a conversion and disabled automatically to conserve power.

NOTE: The legacy ADC12_A bit ADC12REF2_5 only allows for selecting either 1.5 V or 2.5 V. To select 2.0 V, the REFVSEL control bits must be used (REFMSTR = 1).

16.2.3 Reference System Requests

There are three basic reference system requests that are used by the reference system. Each module can utilize these requests to obtain the proper response from the reference system. The three basic requests are REFGENREQ, REFBGREQ, and REFMODEREQ. No interaction is required by the user code. The modules select the proper requests automatically.

A reference request signal, REFGENREQ, is available as an input into the REFGEN subsystem. This signal represents a logical OR of individual requests coming from the various modules in the system that require a voltage reference to be available on the variable reference line. When a module requires a voltage reference, it asserts its corresponding REFGENREQ signal. When the REFGENREQ is asserted, the REFGEN subsystem is enabled. After the specified settling time, the variable reference line voltage is stable and ready for use. The REFVSEL settings determine which voltage is generated on the variable reference line.

In addition to the REFGENREQ, a second reference request signal, REFBGREQ is available. The REFBGREQ signal represents a logical OR of requests coming from the various modules that require the bandgap reference line. When the REFBGREQ is asserted, the bandgap, along with its bias circuitry and local buffer, is enabled if it is not already enabled by a prior request.

The REFMODEREQ request signal is available that configures the bandgap and its bias circuitry to operate in a sampled or static mode of operation. The REFMODEREQ signal basically represents a logical AND of individual requests coming from the various analog modules. In reality, a REFMODEREQ occurs only if a module's REFGENREQ or REFBGQ is also asserted, otherwise it is a do not care. When REFMODEREQ = 1, the bandgap operates in sampled mode. When a module asserts its corresponding REFMODEREQ signal, it is requesting that the bandgap operate in sampled mode. Because REMODEREQ is a logical AND of all individual requests, any modules requesting static mode cause the bandgap to operate in static mode. The BGMODE bit can be used as an indicator of static or sampled mode of operation.

16.2.3.1 REFBGACT, REFGENACT, REFGENBUSY

Any module that is using the variable reference line causes REFGENACT to be set inside the REFCTL register. This bit is read only and indicates to the user that the REFGEN is active or off. Similarly, the REFBGACT is active any time one or more modules is actively utilizing the bandgap reference line and indicates to the user that the REFBG is active or off.

The REFGENBUSY signal, when asserted, indicates that a module is using the reference and cannot have any of its settings changed. For example, during an active ADC12_A conversion, the reference voltage level should not be changed. REFGENBUSY is asserted when there is an active ADC12_A conversion ($ENC = 1$) or when the DAC12_A is actively converting ($DAC12AMPx > 1$ and $DAC12SREFx = 0$). REFGENBUSY when asserted, write protects the REFCTL register. This prevents the reference from being disabled or its level changed during any active conversion. Please note that there is no such protection for the DAC12_A if the ADC12_A legacy control bits are used for the reference control. If the user changes the ADC12_A settings and the DAC12_A is using the reference, the DAC12_A conversion is affected.

16.2.3.2 ADC10_A

For devices that contain an ADC10_A module, the ADC10_A module contains only one local buffer. This buffer is required when using the internal reference voltage and must be enabled and stable prior to a conversion.

In devices without a reference output buffer REFOUT must be written 0. Please refer to the device-specific data sheet.

In devices with ADC10_A the REFMSTR bit must be set at all times.

In devices with ADC10_A the REFON bit must be set if the internal reference voltage is used.

16.2.3.3 ADC12_A

For devices that contain an ADC12_A module, the ADC12_A module contains two local buffers. The larger buffer can be used to drive the reference voltage, present on the variable reference line, external to the device. This buffer has larger power consumption due to a selectable burst mode, as well as, its need to drive larger DC loads that may be present outside the device. The large buffer is enabled continuously when $REFON = 1$, $REFOUT = 1$, and $ADC12REFBURST = 0$. When $ADC12REFBURST = 1$, the buffer is enabled only during an ADC conversion, shutting down automatically upon completion of a conversion to save power. In addition, when $REFON = 1$ and $REFOUT = 1$, the second smaller buffer is automatically disabled. In this case, the output of the large buffer is connected to the capacitor array via an internal analog switch. This ensures the same reference is used throughout the system. If $REFON = 1$ and $REFOUT = 0$, the internal buffer is used for ADC conversion and the large buffer remains disabled. The small internal buffer can operate in burst mode as well by setting $ADC12REFBURST = 1$.

16.2.3.4 DAC12_A

Some devices may contain a DAC12_A module. The DAC12_A can use the 1.5 V, 2.0 V, or 2.5 V from the variable reference line for its reference. The DAC12_A can request its reference directly by the settings within the DAC12_A module itself. Therefore, if the DAC is enabled and the internal reference is selected, the DAC requests the reference voltage from the REF module. In addition, as before, setting $REFON = 1$ ($REFMSTR = 1$) or $ADC12REFON = 1$ ($REFMSTR = 0$) can enable the variable reference line independent of the DAC12_A control bits.

The REGEN subsystem provides divided versions of the variable reference line for use in the DAC12_A module. The DAC12_A module requires either $/2$ or $/3$ of the variable reference. The selection of these depends on the control bits inside the DAC12_A module ($DAC12IR$, $DAC12OG$) and is handled automatically by the REF module.

When the DAC12_A selects AV_{cc} or $VeREF+$ as its reference, the DAC12_A has its own $/2$ and $/3$ resistor string available that scales the input reference appropriately based on the $DAC12IR$ and $DAC12OG$ settings.

16.2.3.5 LCD_B

Devices that contain an LCD use the LCD_B module. The LCD_B module requires a reference to generate the proper LCD voltages. The bandgap reference line from the REFGEN subsystem is used for this purpose. The LCD is enabled when $LCDON = 1$ of the LCD_B module. This causes a $REFBGREQ$ from the LCD module to be asserted. The buffered bandgap is made available on the bandgap reference line for use inside the LCD_B module.

16.3 REF Registers

The REF registers are listed in [Table 16-3](#). The base address can be found in the device specific datasheet. The address offset is listed in [Table 16-3](#).

NOTE: All registers have word or byte register access. For a generic register *ANYREG*, the suffix "_L" (*ANYREG_L*) refers to the lower byte of the register (bits 0 through 7). The suffix "_H" (*ANYREG_H*) refers to the upper byte of the register (bits 8 through 15).

Table 16-3. REF Registers

Offset	Acronym	Register Name	Type	Access	Reset	Section
00h	REFCTL0	REFCTL0	Read/write	Word	0080h	Section 16.3.1
00h	REFCTL0_L		Read/write	Byte	80h	
01h	REFCTL0_H		Read/write	Byte	00h	

16.3.1 REFCTL0 Register (offset = 00h) [reset = 0080h]

REF Control Register 0

Figure 16-2. REFCTL0 Register

15	14	13	12	11	10	9	8
Reserved				BGMODE	REFGENBUSY	REFBGACT	REFGENACT
r0	r0	r0	r0	r-(0)	r-(0)	r-(0)	r-(0)
7	6	5	4	3	2	1	0
REFMSTR	Reserved	REFVSEL	REFTCOFF	Reserved	REFOUT	REFON	
rw-(1)	r0	rw-(0)	rw-(0)	rw-(0)	r0	rw-(0)	rw-(0)

Can be modified only when REFGENBUSY = 0.

Table 16-4. REFCTL0 Register Description

Bit	Field	Type	Reset	Description
15-12	Reserved	R	0h	Reserved. Always reads as 0.
11	BGMODE	R	0h	Bandgap mode. Read only. 0b = Static mode 1b = Sampled mode
10	REFGENBUSY	R	0h	Reference generator busy. Read only. 0b = Reference generator not busy 1b = Reference generator busy
9	REFBGACT	R	0h	Reference bandgap active. Read only. 0b = Reference bandgap buffer not active 1b = Reference bandgap buffer active
8	REFGENACT	R	0h	Reference generator active. Read only. 0b = Reference generator not active 1b = Reference generator active
7	REFMSTR	RW	0h	REF master control. ADC10_A devices: Must be written 1. 0b = Reference system controlled by legacy control bits inside the ADC12_A module when available. 1b = Reference system controlled by REFCTL register. Common settings inside the ADC12_A module (if exists) are do not care.
6	Reserved	R	0h	Reserved. Always reads as 0.
5-4	REFVSEL	RW	0h	Reference voltage level select 00b = 1.5 V available when reference requested or REFON = 1 01b = 2.0 V available when reference requested or REFON = 1 10b = 2.5 V available when reference requested or REFON = 1 11b = 2.5 V available when reference requested or REFON = 1
3	REFTCOFF	RW	0h	Temperature sensor disabled 0b = Temperature sensor enabled 1b = Temperature sensor disabled to save power
2	Reserved	R	0h	Reserved. Always reads as 0.
1	REFOUT	RW	0h	Reference output buffer. ADC10_A devices without reference output buffer: Must be written 0. 0b = Reference output not available externally. 1b = Reference output available externally. If ADC12REFBURST = 0, or DAC12_A is enabled, output is available continuously. If ADC12REFBURST = 1, output is available only during an ADC12_A conversion.

Table 16-4. REFCTL0 Register Description (continued)

Bit	Field	Type	Reset	Description
0	REFON	RW	0h	Reference enable. ADC10_A: The ADC10_A does not support the reference request. REFON must be set if the internal reference voltage is used. 0b = Disables reference if no other reference requests are pending. 1b = Enables reference.



ADC12_A

The ADC12_A module is a high-performance 12-bit analog-to-digital converter (ADC). This chapter describes the operation of the ADC12_A module.

Topic	Page
17.1 ADC12_A Introduction	475
17.2 ADC12_A Operation	478
17.3 ADC12_A Registers	492

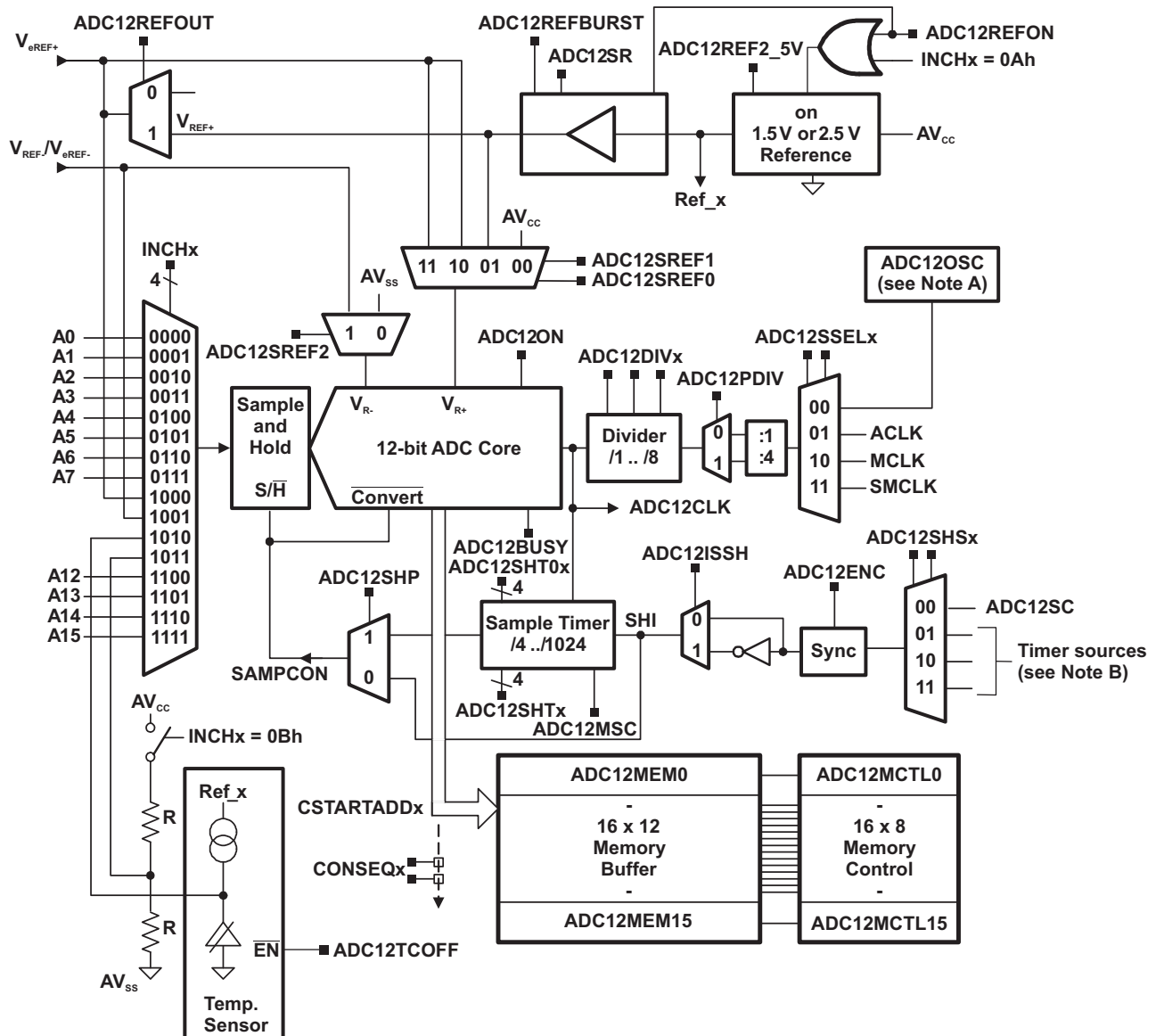
17.1 ADC12_A Introduction

The ADC12_A module supports fast 12-bit analog-to-digital conversions. The module implements a 12-bit SAR core, sample select control, reference generator (MSP430F54xx (non-A only) – in other devices, separate REF module), and a 16-word conversion-and-control buffer. The conversion-and-control buffer allows up to 16 independent analog-to-digital converter (ADC) samples to be converted and stored without any CPU intervention.

ADC12_A features include:

- Greater than 200-ksps maximum conversion rate
- Monotonic 12-bit converter with no missing codes
- Sample-and-hold with programmable sampling periods controlled by software or timers
- Conversion initiation by software or timers
- Software-selectable on-chip reference voltage generation (MSP430F54xx (non-A only): 1.5 V or 2.5 V, all other devices: 1.5 V, 2.0 V, or 2.5 V)
- Software-selectable internal or external reference
- Up to 12 individually configurable external input channels
- Conversion channels for internal temperature sensor, AV_{CC} , and external references
- Independent channel-selectable reference sources for both positive and negative references
- Selectable conversion clock source
- Single-channel, repeat-single-channel, sequence (autoscan), and repeat-sequence (repeated autoscan) conversion modes
- ADC core and reference voltage can be powered down separately
- Interrupt vector register for fast decoding of 18 ADC interrupts
- 16 conversion-result storage registers

The block diagram of ADC12_A is shown in [Figure 17-1](#). In MSP430F54xx (non-A only), the reference generator is located in the ADC12_A module itself. In other devices, the reference generator is located in the reference module, REF. See the REF module chapter and the device-specific data sheet for further details. [Figure 17-1](#) shows the block diagram for devices that have the REF module available. [Figure 17-2](#) shows the block diagram for the MSP430F54xx (non-A only) which does not incorporate the REF module.



- A The MODOSC is part of the UCS. See the [UCS chapter](#) for more information.
- B See the device-specific data sheet for timer sources available.

Figure 17-2. ADC12_A MSP430F54xx (non-A) Block Diagram

17.2 ADC12_A Operation

The ADC12_A module is configured with user software. The setup and operation of the ADC12_A is discussed in the following sections.

17.2.1 12-Bit ADC Core

The ADC core converts an analog input to its 12-bit digital representation and stores the result in conversion memory. The core uses two programmable and selectable voltage levels (V_{R+} and V_{R-}) to define the upper and lower limits of the conversion. The digital output (N_{ADC}) is full scale (0FFFh) when the input signal is equal to or higher than V_{R+} . The digital output (N_{ADC}) is zero when the input signal is equal to or lower than V_{R-} . The input channel and the reference voltage levels (V_{R+} and V_{R-}) are defined in the

conversion-control memory. The conversion formula for the ADC result N_{ADC} is:

$$N_{ADC} = 4095 \times \frac{V_{in} - V_{R-}}{V_{R+} - V_{R-}}$$

The ADC12_A core is configured by two control registers, ADC12CTL0 and ADC12CTL1. The core is enabled with the ADC12ON bit. The ADC12_A can be turned off when it is not in use to save power. With few exceptions, the ADC12_A control bits can be modified only when ADC12ENC = 0. ADC12ENC must be set to 1 before any conversion can take place.

17.2.1.1 Conversion Clock Selection

The ADC12CLK is used both as the conversion clock and to generate the sampling period when the pulse sampling mode is selected. The ADC12_A source clock is selected using the predivider controlled by the ADC12PDIV bit and the divider using the ADC12SSELx bits. The input clock can be divided from 1 to 32 using both the ADC12DIVx bits and the ADC12PDIV bit. Possible ADC12CLK sources are SMCLK, MCLK, ACLK, and the ADC12OSC.

The ADC12OSC in the block diagram (see [Figure 17-1](#)) refers to the MODOSC 5-MHz oscillator from the UCS (see the UCS module for more information) which can vary with individual devices, supply voltage, and temperature. See the device-specific data sheet for the ADC12OSC specification.

The user must ensure that the clock chosen for ADC12CLK remains active until the end of a conversion. If the clock is removed during a conversion, the operation does not complete and the results are invalid.

17.2.2 ADC12_A Inputs and Multiplexer

The 12 external and 4 internal analog signals are selected as the channel for conversion by the analog input multiplexer. The input multiplexer is a break-before-make type to reduce input-to-input noise injection resulting from channel switching (see [Figure 17-3](#)). The input multiplexer is also a T-switch to minimize the coupling between channels. Channels that are not selected are isolated from the A/D and the intermediate node is connected to analog ground (AV_{SS}), so that the stray capacitance is grounded to eliminate crosstalk.

The ADC12_A uses the charge redistribution method. When the inputs are internally switched, the switching action may cause transients on the input signal. These transients decay and settle before causing errant conversion.

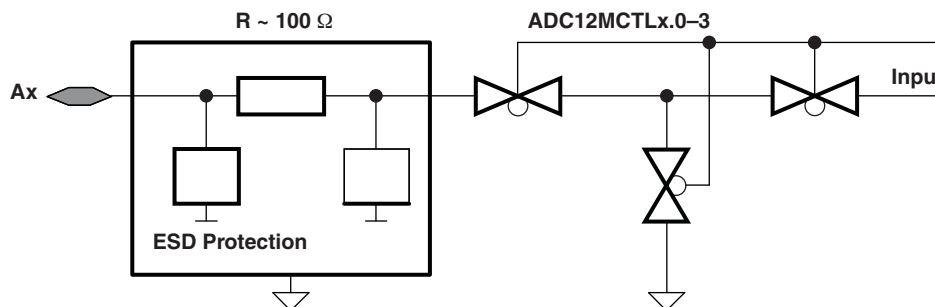


Figure 17-3. Analog Multiplexer

17.2.2.1 Analog Port Selection

The ADC12_A inputs are multiplexed with digital port pins. When analog signals are applied to digital gates, parasitic current can flow from V_{CC} to GND. This parasitic current occurs if the input voltage is near the transition level of the gate. Disabling the digital part of the port pin eliminates the parasitic current flow and, therefore, reduces overall current consumption. The PySELx bits provide the ability to disable the port pin input and output buffers.

```
; Py.0 and Py.1 configured for analog input
  BIS.B #3h,&PySEL ; Py.1 and Py.0 ADC12_A function
```

17.2.3 Voltage Reference Generator

The ADC12_A modules have a separate reference module (REF) that supplies three selectable voltage levels, 1.5 V, 2.0 V, and 2.5 V to the ADC12_A. Any of these voltages may be used internally and externally on pin VREF+. The internal AV_{CC} can also be used as the reference.

The ADC12_A module of the MSP430F54xx devices (non-A only) does not use the REF module and only has two selectable voltage levels, 1.5 V and 2.5 V. The internal AV_{CC} can also be used as the reference.

On devices with the REF module, the voltage reference settings can be controlled either by the REF module or by the ADC12_A module. This is to allow for backward compatibility with older families. This is handled by the REFMSTR bit in the REF module. If REFMSTR = 1 (default), the REF module registers control the reference settings. If REFMSTR = 0, the ADC12_A reference setting define the reference voltage of the ADC12_A module. Four control settings that reside in the ADC12_A can be controlled also by four corresponding settings in the REF module: ADC12REF2_5V (REFVSEL), ADC12REFON (REFON), ADC12REFOUT (REFOUT), and ADC12TCOFF (REFTCOFF), respectively. When REFMSTR = 1, ADC12REF2_5V, ADC12REFON, ADC12REFOUT, and ADC12TCOFF are do not care. Similarly, when REFMSTR = 0, REFVSEL, REFON, REFOUT, and REFTCOFF are do not care. See the REF module chapter for further details.

On devices with the REF module, to use the ADC12_A reference control bits, set REFMSTR = 0. In this case, setting ADC12REFON = 1 enables the reference voltage of the ADC12_A module. When ADC12REF2_5V = 1, the internal reference is 2.5 V; when ADC12REF2_5V = 0, the reference is 1.5 V. Similarly, on devices with the REF module, to use the REF module reference control bits, set REFMSTR = 1. In this case, setting REFON = 1 of the REF module enables the reference voltage. The REFVSEL bits of the REF module can be used to select either 1.5 V, 2.0 V, or 2.5 V. The reference can be turned off to save power when not in use. On the MSP430F54xx devices (non-A only), as stated previously, the REF module is not present and behaves the same as devices the REF module with REFMSTR = 0.

External references may be supplied for V_{R+} and V_{R-} through pins VREF+/VeREF+ and VREF-/VeREF-, respectively.

External storage capacitors are required only if ADC12REFOUT = 1 (REFOUT = 1 when using REF module) and the reference voltage is made available at the pins.

17.2.3.1 Internal Reference Low-Power Features

The ADC12_A internal reference generator is designed for low-power applications. The reference generator includes a bandgap voltage source and a separate buffer. The current consumption and settling time of each is specified separately in the device-specific data sheet. When ADC12REFON = 1 (REFON = 1 when using REF module), both are enabled; when ADC12REFON = 0 (REFON = 0 when using REF module), both are disabled.

When ADC12REFON = 1 (REFON = 1 when using REF module) and ADC12REFBURST = 1 but no conversion is active, the buffer is automatically disabled and automatically reenabled when needed. When the buffer is disabled, it consumes no current. In this case, the bandgap voltage source remains enabled.

The ADC12REFBURST bit controls the operation of the reference buffer. When ADC12REFBURST = 1, the buffer is automatically disabled when the ADC12_A is not actively converting, and is automatically reenabled when needed. When ADC12REFBURST = 0, the buffer is on continuously. This allows the reference voltage to be present outside the device continuously if ADC12REFOUT = 1 (REFOUT = 1 when using REF module).

The internal reference buffer also has selectable speed versus power settings. When the maximum conversion rate is below 50 ksp/s, setting ADC12SR = 1 reduces the current consumption of the buffer by approximately 50%.

17.2.4 Auto Power Down

The ADC12_A is designed for low-power applications. When the ADC12_A is not actively converting, the core is automatically disabled, and it is automatically reenabled when needed. The MODOSC is also automatically enabled when needed and disabled when not needed.

17.2.5 Sample and Conversion Timing

An analog-to-digital conversion is initiated with a rising edge of the sample input signal SHI. The source for SHI is selected with the SHSx bits and includes the following:

- ADC12SC bit
- Up to three timer outputs (see the device-specific data sheet for available timer sources)

The ADC12_A supports 8-bit, 10-bit, and 12-bit resolution modes selectable by the ADC12RES bits. The analog-to-digital conversion requires 9, 11, and 13 ADC12CLK cycles, respectively. The polarity of the SHI signal source can be inverted with the ADC12ISSH bit. The SAMPCON signal controls the sample period and start of conversion. When SAMPCON is high, sampling is active. The high-to-low SAMPCON transition starts the analog-to-digital conversion. Two different sample-timing methods are defined by control bit ADC12SHP, extended sample mode, and pulse mode. See the device-specific data sheet for available timers for SHI sources.

17.2.5.1 Extended Sample Mode

The extended sample mode is selected when ADC12SHP = 0. The SHI signal directly controls SAMPCON and defines the length of the sample period t_{sample} . When SAMPCON is high, sampling is active. The high-to-low SAMPCON transition starts the conversion after synchronization with ADC12CLK (see Figure 17-4).

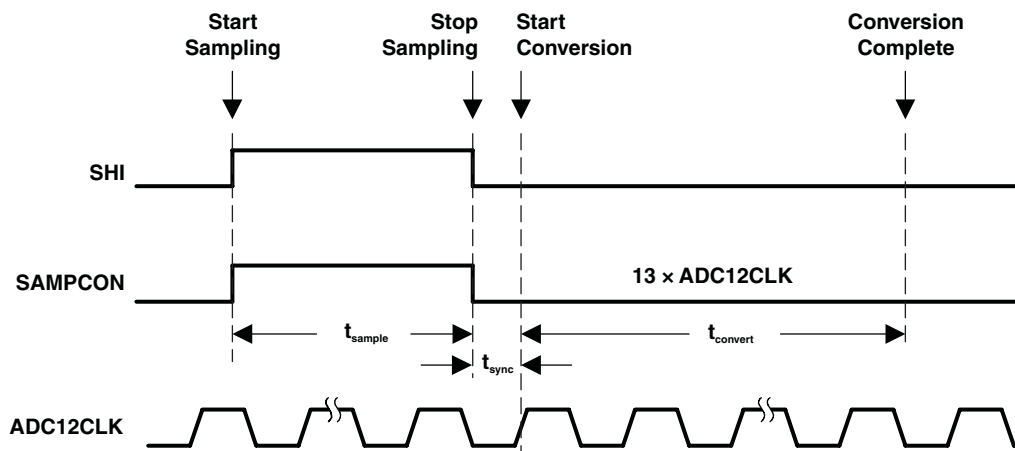


Figure 17-4. Extended Sample Mode

17.2.5.2 Pulse Sample Mode

Set ADC12SHP = 1 to select the pulse sample mode. The SHI signal is used to trigger the sampling timer. The ADC12SHT0x and ADC12SHT1x bits in ADC12CTL0 control the interval of the sampling timer that defines the SAMPCON sample period t_{sample} . The sampling timer keeps SAMPCON high after synchronization with ADC12CLK for a programmed interval t_{sample} . The total sampling time is t_{sample} plus t_{sync} (see Figure 17-5).

The ADC12SHTx bits select the sampling time in 4x multiples of ADC12CLK. ADC12SHT0x selects the sampling time for ADC12MCTL0 to ADC12MCTL7. ADC12SHT1x selects the sampling time for ADC12MCTL8 to ADC12MCTL15.

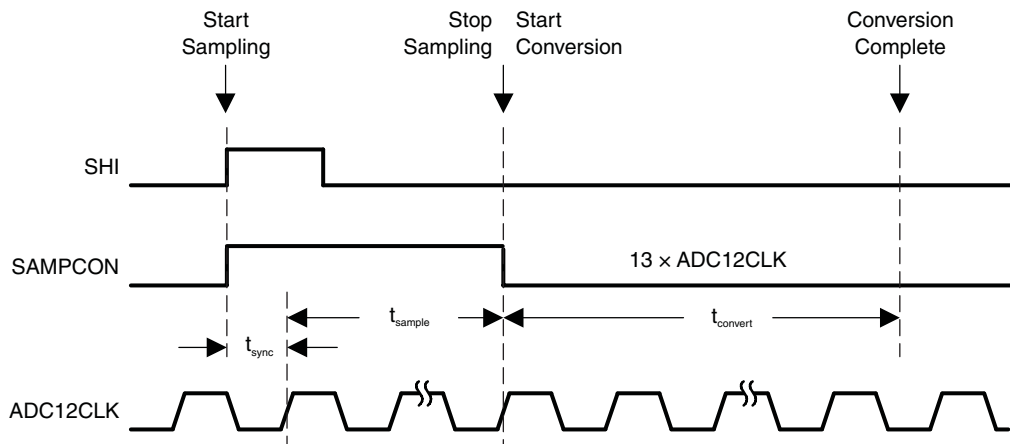


Figure 17-5. Pulse Sample Mode

17.2.5.3 Sample Timing Considerations

When SAMPCON = 0, all Ax inputs are high impedance. When SAMPCON = 1, the selected Ax input can be modeled as an RC low-pass filter during the sampling time t_{sample} (see Figure 17-6). An internal MUX-on input resistance R_1 (maximum 1.8 k Ω) in series with capacitor C_1 (25 pF maximum) is seen by the source. The capacitor C_1 voltage V_c must be charged to within one-half LSB of the source voltage V_s for an accurate n-bit conversion, where n is the bits of resolution required.

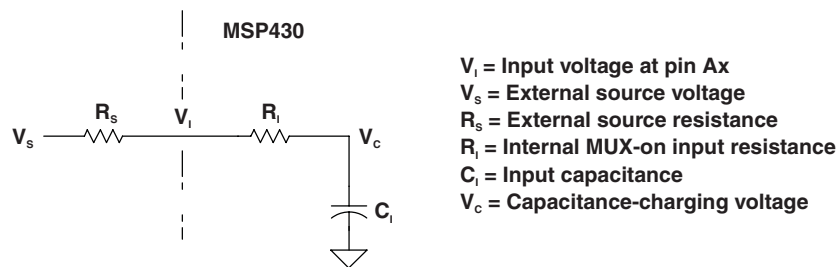


Figure 17-6. Analog Input Equivalent Circuit

The resistance of the source R_s and R_1 affect t_{sample} . The following equation can be used to calculate the minimum sampling time t_{sample} for a n-bit conversion, where n equals the bits of resolution:

$$t_{\text{sample}} > (R_s + R_1) \times \ln(2^{n+1}) \times C_1 + 800 \text{ ns}$$

Substituting the values for R_1 and C_1 given above, the equation becomes:

$$t_{\text{sample}} > (R_s + 1.8 \text{ k}\Omega) \times \ln(2^{n+1}) \times 25 \text{ pF} + 800 \text{ ns}$$

For example, for 12-bit resolution, if R_s is 10 k Ω , t_{sample} must be greater than 3.46 μs .

17.2.6 Conversion Memory

There are 16 ADC12MEMx conversion memory registers to store conversion results. Each ADC12MEMx is configured with an associated ADC12MCTLx control register. The SREFx bits define the voltage reference and the INCHx bits select the input channel. The ADC12EOS bit defines the end of sequence when a sequential conversion mode is used. A sequence rolls over from ADC12MEM15 to ADC12MEM0 when the ADC12EOS bit in ADC12MCTL15 is not set.

The CSTARTADDx bits define the first ADC12MCTLx used for any conversion. If the conversion mode is single-channel or repeat-single-channel, the CSTARTADDx points to the single ADC12MCTLx to be used.

If the conversion mode selected is either sequence-of-channels or repeat-sequence-of-channels, CSTARTADDx points to the first ADC12MCTLx location to be used in a sequence. A pointer, not visible to software, is incremented automatically to the next ADC12MCTLx in a sequence when each conversion completes. The sequence continues until an ADC12EOS bit in ADC12MCTLx is processed; this is the last control byte processed.

When conversion results are written to a selected ADC12MEMx, the corresponding flag in the ADC12IFGx register is set.

There are two formats available to store the conversion result, ADC12MEMx. When ADC12DF = 0, the conversion is right justified, unsigned. For 8-bit, 10-bit, and 12-bit resolutions, the upper 8, 6, and 4 bits of ADC12MEMx are always zeros, respectively. When ADC12DF = 1, the conversion result is left justified, two's complement. For 8-bit, 10-bit, and 12-bit resolutions, the lower 8, 6, and 4 bits of ADC12MEMx are always zeros, respectively. This is summarized in [Table 17-1](#).

Table 17-1. ADC12_A Conversion Result Formats

Analog Input Voltage	ADC12DF	ADC12RES	Ideal Conversion Results	ADC12MEMx
$-V_{REF}$ to $+V_{REF}$	0	00	0 to 255	0000h - 00FFh
	0	01	0 to 1023	0000h - 03FFh
	0	10	0 to 4095	0000h - 0FFFh
	1	00	-128 to 127	8000h - 7F00h
	1	01	-512 to 511	8000h - 7FC0h
	1	10	-2048 to 2047	8000h - 7FF0h

17.2.7 ADC12_A Conversion Modes

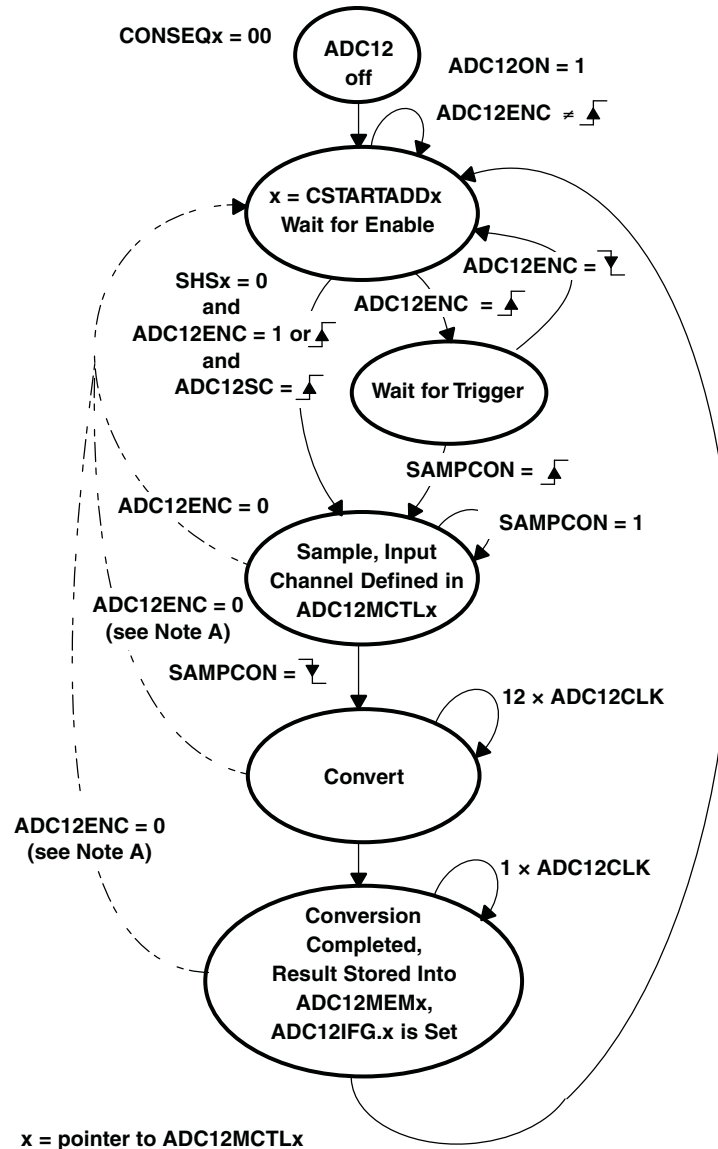
The ADC12_A has four operating modes selected by the CONSEQx bits as listed in [Table 17-2](#). All state diagrams assume a 12-bit resolution setting.

Table 17-2. Conversion Mode Summary

ADC12CONSEQx	Mode	Operation
00	Single-channel single-conversion	A single channel is converted once.
01	Sequence-of-channels (autoscan)	A sequence of channels is converted once.
10	Repeat-single-channel	A single channel is converted repeatedly.
11	Repeat-sequence-of-channels (repeated autoscan)	A sequence of channels is converted repeatedly.

17.2.7.1 Single-Channel Single-Conversion Mode

A single channel is sampled and converted once. The ADC result is written to the ADC12MEMx defined by the CSTARTADDx bits. Figure 17-7 shows the flow of the single-channel single-conversion mode. When ADC12SC triggers a conversion, successive conversions can be triggered by the ADC12SC bit. When any other trigger source is used, ADC12ENC must be toggled between each conversion.



A Conversion result is unpredictable.

Figure 17-7. Single-Channel Single-Conversion Mode

17.2.7.3 Repeat-Single-Channel Mode

A single channel is sampled and converted continuously. The ADC results are written to the ADC12MEMx defined by the CSTARTADDx bits. It is necessary to read the result after the completed conversion because only one ADC12MEMx memory is used and is overwritten by the next conversion. Figure 17-9 shows the repeat-single-channel mode.

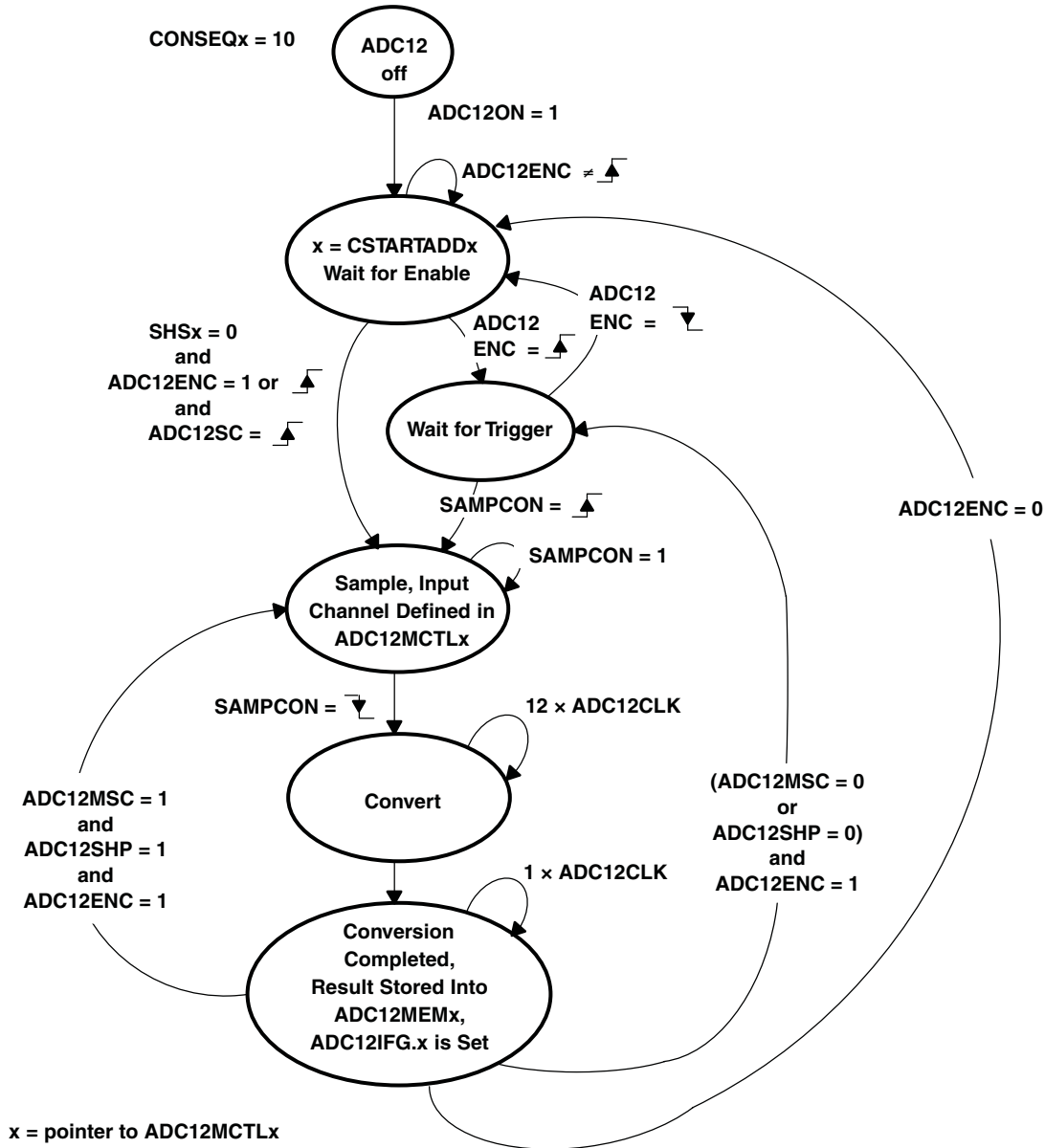


Figure 17-9. Repeat-Single-Channel Mode

17.2.7.4 Repeat-Sequence-of-Channels Mode (Repeated Autoscan Mode)

In this mode, a sequence of channels is sampled and converted repeatedly. This mode is also referred to as repeated autoscan mode. The ADC results are written to the conversion memories starting with the ADC12MEMx defined by the CSTARTADDx bits. The sequence ends after the measurement of the channel with a set ADC12EOS bit and the next trigger signal restarts the sequence. Figure 17-10 shows the repeat-sequence-of-channels mode.

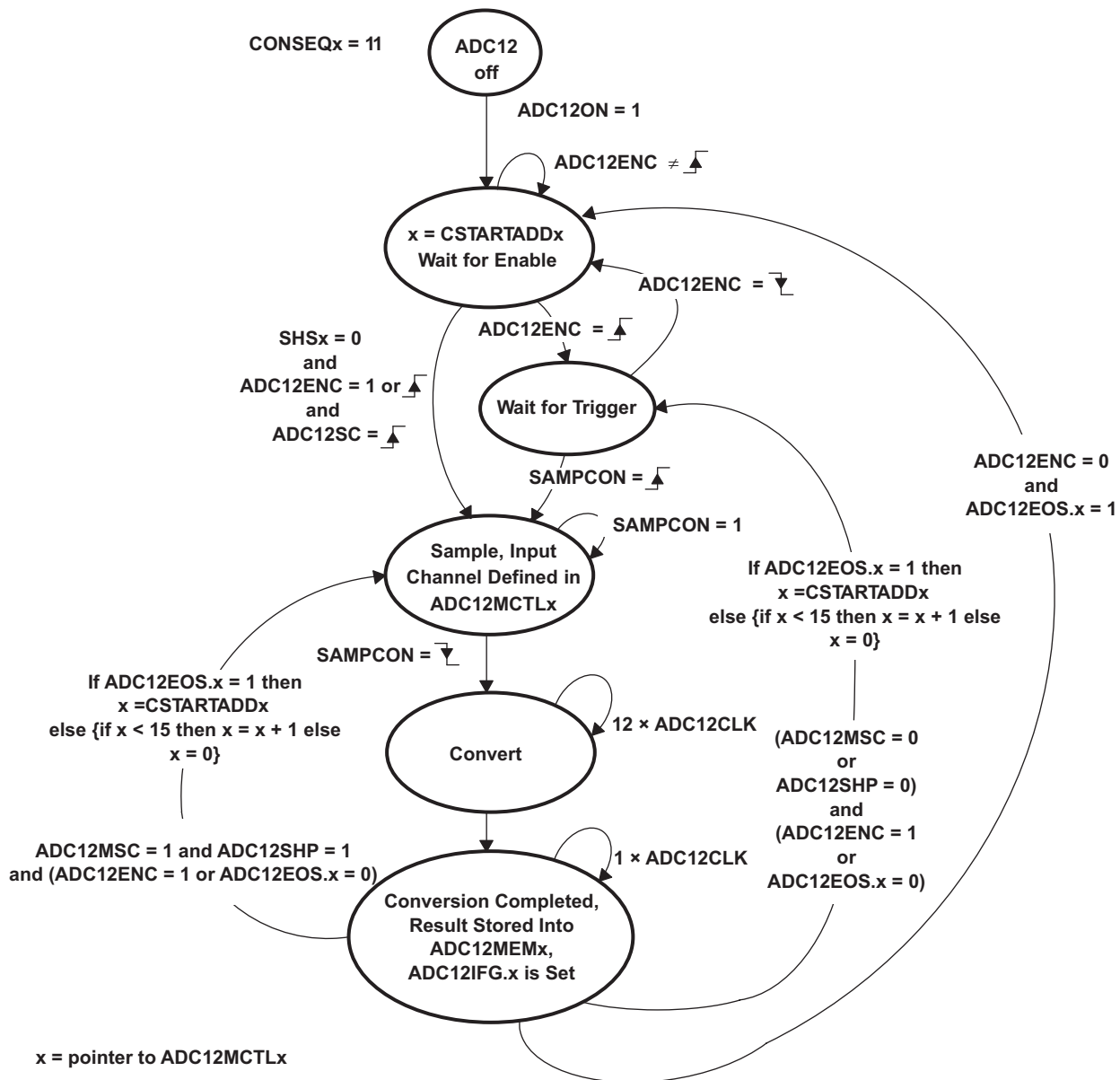


Figure 17-10. Repeat-Sequence-of-Channels Mode

17.2.7.5 Using the Multiple Sample and Convert (ADC12MSC) Bit

To configure the converter to perform successive conversions automatically and as quickly as possible, a multiple sample and convert function is available. When $ADC12MSC = 1$, $CONSEQx > 0$, and the sample timer is used, the first rising edge of the SHI signal triggers the first conversion. Successive conversions are triggered automatically as soon as the prior conversion is completed. Additional rising edges on SHI are ignored until the sequence is completed in the single-sequence mode, or until the ADC12ENC bit is toggled in repeat-single-channel or repeated-sequence modes. The function of the ADC12ENC bit is unchanged when using the ADC12MSC bit.

17.2.7.6 Stopping Conversions

Stopping ADC12_A activity depends on the mode of operation. The recommended ways to stop an active conversion or conversion sequence are:

- Resetting ADC12ENC in single-channel single-conversion mode stops a conversion immediately and the results are unpredictable. For correct results, poll the busy bit until reset before clearing ADC12ENC.
- Resetting ADC12ENC during repeat-single-channel operation stops the converter at the end of the current conversion.
- Resetting ADC12ENC during a sequence or repeat-sequence mode stops the converter at the end of the sequence.
- Any conversion mode may be stopped immediately by setting the $CONSEQx = 0$ and resetting the ADC12ENC bit. Conversion data are unreliable.

NOTE: No ADC12EOS bit set for sequence

If no ADC12EOS bit is set and a sequence mode is selected, resetting the ADC12ENC bit does not stop the sequence. To stop the sequence, first select a single-channel mode and then reset ADC12ENC.

17.2.8 Using the Integrated Temperature Sensor

To use the on-chip temperature sensor, the user selects the analog input channel $\text{INCHx} = 1010$. Any other configuration is done as if an external channel were selected, including reference selection, conversion-memory selection, etc. The temperature sensor is part of the reference. Therefore, for devices with the REF module, in addition to the input channels selection $\text{INCHx} = 1010$, configuring $\text{ADC12REFON} = 1$ (for $\text{REFMSTR} = 0$) or $\text{REFON} = 1$ (for $\text{REFMSTR} = 1$) is required to enable the temperature sensor.

For the MSP430F54xx (non-A) devices, which do not include the REF module, selecting the temperature sensor by configuring $\text{INCHx} = 1010$ automatically enables the reference generator required for the temperature sensor. Any other configuration is done as if an external channel were selected, including reference selection, conversion-memory selection, etc.

A typical temperature sensor transfer function is shown in [Figure 17-11](#). The transfer function shown in [Figure 17-11](#) is only an example—the device-specific data sheet contains the actual parameters for a given device. When using the temperature sensor, the sample period must be greater than 30 μs . The temperature sensor offset error can be large and may need to be calibrated for most applications. Temperature calibration values are available for use in the TLV descriptors (see the device-specific data sheet for locations).

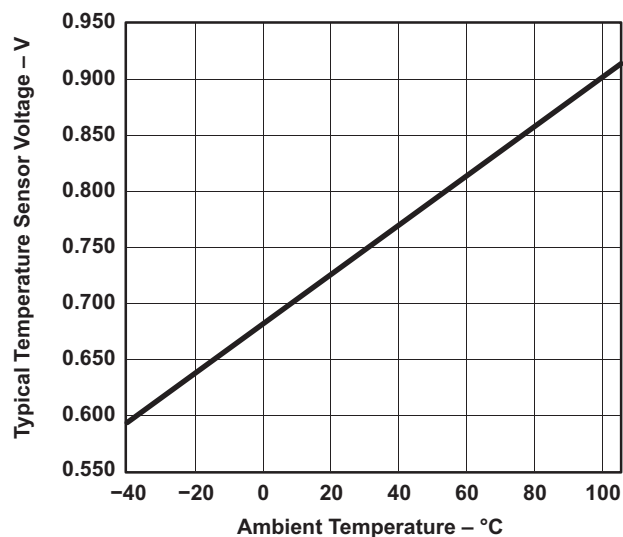


Figure 17-11. Typical Temperature Sensor Transfer Function

17.2.9 ADC12_A Grounding and Noise Considerations

As with any high-resolution ADC, appropriate printed circuit board layout and grounding techniques should be followed to eliminate ground loops, unwanted parasitic effects, and noise.

Ground loops are formed when return current from the ADC flows through paths that are common with other analog or digital circuitry. If care is not taken, this current can generate small unwanted offset voltages that can add to or subtract from the reference or input voltages of the ADC. The connections shown in Figure 17-12 prevent this.

In addition to grounding, ripple and noise spikes on the power-supply lines due to digital switching or switching power supplies can corrupt the conversion result. A noise-free design using separate analog and digital ground planes with a single-point connection is recommend to achieve high accuracy.

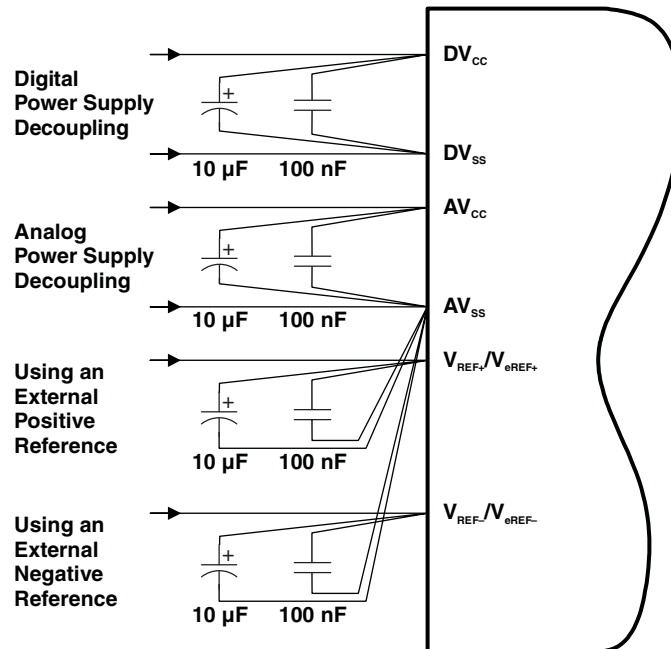


Figure 17-12. ADC12_A Grounding and Noise Considerations

17.2.10 ADC12_A Interrupts

The ADC12_A has 18 interrupt sources:

- ADC12IFG0 to ADC12IFG15
- ADC12OV, ADC12MEMx overflow
- ADC12TOV, ADC12_A conversion time overflow

The ADC12IFGx bits are set when their corresponding ADC12MEMx memory register is loaded with a conversion result. An interrupt request is generated if the corresponding ADC12IE_x bit and the GIE bit are set. The ADC12OV condition occurs when a conversion result is written to any ADC12MEMx before its previous conversion result was read. The ADC12TOV condition is generated when another sample-and-conversion is requested before the current conversion is completed. The DMA is triggered after the conversion in single-channel conversion mode or after the completion of a sequence of channel conversions in sequence-of-channels conversion mode.

17.2.10.1 ADC12IV, Interrupt Vector Generator

All ADC12_A interrupt sources are prioritized and combined to source a single interrupt vector. The interrupt vector register ADC12IV is used to determine which enabled ADC12_A interrupt source requested an interrupt.

The highest-priority enabled ADC12_A interrupt generates a number in the ADC12IV register (see register description). This number can be evaluated or added to the program counter (PC) to automatically enter the appropriate software routine. Disabled ADC12_A interrupts do not affect the ADC12IV value.

Any access, read or write, of the ADC12IV register automatically resets the ADC12OV condition or the ADC12TOV condition, if either was the highest-pending interrupt. Neither interrupt condition has an accessible interrupt flag. The ADC12IFGx flags are not reset by an ADC12IV access. ADC12IFGx bits are reset automatically by accessing their associated ADC12MEMx register or may be reset with software.

If another interrupt is pending after servicing of an interrupt, another interrupt is generated. For example, if the ADC12OV and ADC12IFG3 interrupts are pending when the interrupt service routine accesses the ADC12IV register, the ADC12OV interrupt condition is reset automatically. After the RETI instruction of the interrupt service routine is executed, the ADC12IFG3 generates another interrupt.

17.2.10.2 ADC12_A Interrupt Handling Software Example

The following software example shows the recommended use of the ADC12IV and handling overhead. The ADC12IV value is added to the PC to automatically jump to the appropriate routine.

The numbers at the right margin show the necessary CPU cycles for each instruction. The software overhead for different interrupt sources includes interrupt latency and return-from-interrupt cycles, but not the task handling itself. The latencies are:

- ADC12IFG0 to ADC12IFG14, ADC12TOV, and ADC12OV: 16 cycles
- ADC12IFG15: 14 cycles

The interrupt handler for ADC12IFG15 shows a way to check immediately if a higher-prioritized interrupt occurred during the processing of ADC12IFG15. This saves nine cycles if another ADC12_A interrupt is pending.

```

; Interrupt handler for ADC12.
INT_ADC12          ; Enter Interrupt Service Routine
    ADD    &ADC12IV,PC ; Add offset to PC
    RETI   ; Vector 0: No interrupt
    JMP    ADOV        ; Vector 2: ADC overflow
    JMP    ADTOV       ; Vector 4: ADC timing overflow
    JMP    ADM0        ; Vector 6: ADC12IFG0
    ...           ; Vectors 8-32
    JMP    ADM14       ; Vector 34: ADC12IFG14
;
; Handler for ADC12IFG15 starts here. No JMP required.
;
ADM15    MOV    &ADC12MEM15,xxx ; Move result, flag is reset
    ...           ; Other instruction needed?
    JMP    INT_ADC12 ; Check other int pending
;
; ADC12IFG14-ADC12IFG1 handlers go here
;
ADM0     MOV    &ADC12MEM0,xxx ; Move result, flag is reset
    ...           ; Other instruction needed?
RETI    ; Return
;
ADTOV   ...           ; Handle Conv. time overflow
    RETI        ; Return
;
ADOV    ...           ; Handle ADCMEMx overflow
    RETI        ; Return
    
```

17.3 ADC12_A Registers

The ADC12_A registers are listed in [Table 17-3](#). The base address of the ADC12_A can be found in the device-specific data sheet. The address offset of each ADC12_A register is given in [Table 17-3](#).

NOTE: All registers have word or byte register access. For a generic register *ANYREG*, the suffix "_L" (*ANYREG_L*) refers to the lower byte of the register (bits 0 through 7). The suffix "_H" (*ANYREG_H*) refers to the upper byte of the register (bits 8 through 15).

Table 17-3. ADC12_A Registers

Offset	Acronym	Register Name	Type	Access	Reset	Section
00h	ADC12CTL0	ADC12_A Control 0	Read/write	Word	0000h	Section 17.3.1
00h	ADC12CTL0_L		Read/write	Byte	00h	
01h	ADC12CTL0_H		Read/write	Byte	00h	
02h	ADC12CTL1	ADC12_A Control 1	Read/write	Word	0000h	Section 17.3.2
02h	ADC12CTL1_L		Read/write	Byte	00h	
03h	ADC12CTL1_H		Read/write	Byte	00h	
04h	ADC12CTL2	ADC12_A Control 2	Read/write	Word	0020h	Section 17.3.3
04h	ADC12CTL2_L		Read/write	Byte	20h	
05h	ADC12CTL2_H		Read/write	Byte	00h	
0Ah	ADC12IFG	ADC12_A Interrupt Flag	Read/write	Word	0000h	Section 17.3.7
0Ah	ADC12IFG_L		Read/write	Byte	00h	
0Bh	ADC12IFG_H		Read/write	Byte	00h	
0Ch	ADC12IE	ADC12_A Interrupt Enable	Read/write	Word	0000h	Section 17.3.6
0Ch	ADC12IE_L		Read/write	Byte	00h	
0Dh	ADC12IE_H		Read/write	Byte	00h	
0Eh	ADC12IV	ADC12_A Interrupt Vector	Read	Word	0000h	Section 17.3.8
0Eh	ADC12IV_L		Read	Byte	00h	
0Fh	ADC12IV_H		Read	Byte	00h	
20h	ADC12MEM0	ADC12_A Memory 0	Read/write	Word	undefined	Section 17.3.4
20h	ADC12MEM0_L		Read/write	Byte	undefined	
21h	ADC12MEM0_H		Read/write	Byte	undefined	
22h	ADC12MEM1	ADC12_A Memory 1	Read/write	Word	undefined	Section 17.3.4
22h	ADC12MEM1_L		Read/write	Byte	undefined	
23h	ADC12MEM1_H		Read/write	Byte	undefined	
24h	ADC12MEM2	ADC12_A Memory 2	Read/write	Word	undefined	Section 17.3.4
24h	ADC12MEM2_L		Read/write	Byte	undefined	
25h	ADC12MEM2_H		Read/write	Byte	undefined	
26h	ADC12MEM3	ADC12_A Memory 3	Read/write	Word	undefined	Section 17.3.4
26h	ADC12MEM3_L		Read/write	Byte	undefined	
27h	ADC12MEM3_H		Read/write	Byte	undefined	
28h	ADC12MEM4	ADC12_A Memory 4	Read/write	Word	undefined	Section 17.3.4
28h	ADC12MEM4_L		Read/write	Byte	undefined	
29h	ADC12MEM4_H		Read/write	Byte	undefined	
2Ah	ADC12MEM5	ADC12_A Memory 5	Read/write	Word	undefined	Section 17.3.4
2Ah	ADC12MEM5_L		Read/write	Byte	undefined	
2Bh	ADC12MEM5_H		Read/write	Byte	undefined	
2Ch	ADC12MEM6	ADC12_A Memory 6	Read/write	Word	undefined	Section 17.3.4
2Ch	ADC12MEM6_L		Read/write	Byte	undefined	
2Dh	ADC12MEM6_H		Read/write	Byte	undefined	

Table 17-3. ADC12_A Registers (continued)

Offset	Acronym	Register Name	Type	Access	Reset	Section
2Eh	ADC12MEM7	ADC12_A Memory 7	Read/write	Word	undefined	Section 17.3.4
2Eh	ADC12MEM7_L		Read/write	Byte	undefined	
2Fh	ADC12MEM7_H		Read/write	Byte	undefined	
30h	ADC12MEM8	ADC12_A Memory 8	Read/write	Word	undefined	Section 17.3.4
30h	ADC12MEM8_L		Read/write	Byte	undefined	
31h	ADC12MEM8_H		Read/write	Byte	undefined	
32h	ADC12MEM9	ADC12_A Memory 9	Read/write	Word	undefined	Section 17.3.4
32h	ADC12MEM9_L		Read/write	Byte	undefined	
33h	ADC12MEM9_H		Read/write	Byte	undefined	
34h	ADC12MEM10	ADC12_A Memory 10	Read/write	Word	undefined	Section 17.3.4
34h	ADC12MEM10_L		Read/write	Byte	undefined	
35h	ADC12MEM10_H		Read/write	Byte	undefined	
36h	ADC12MEM11	ADC12_A Memory 11	Read/write	Word	undefined	Section 17.3.4
36h	ADC12MEM11_L		Read/write	Byte	undefined	
37h	ADC12MEM11_H		Read/write	Byte	undefined	
38h	ADC12MEM12	ADC12_A Memory 12	Read/write	Word	undefined	Section 17.3.4
38h	ADC12MEM12_L		Read/write	Byte	undefined	
39h	ADC12MEM12_H		Read/write	Byte	undefined	
3Ah	ADC12MEM13	ADC12_A Memory 13	Read/write	Word	undefined	Section 17.3.4
3Ah	ADC12MEM13_L		Read/write	Byte	undefined	
3Bh	ADC12MEM13_H		Read/write	Byte	undefined	
3Ch	ADC12MEM14	ADC12_A Memory 14	Read/write	Word	undefined	Section 17.3.4
3Ch	ADC12MEM14_L		Read/write	Byte	undefined	
3Dh	ADC12MEM14_H		Read/write	Byte	undefined	
3Dh	ADC12MEM15	ADC12_A Memory 15	Read/write	Word	undefined	Section 17.3.4
3Dh	ADC12MEM15_L		Read/write	Byte	undefined	
3Eh	ADC12MEM15_H		Read/write	Byte	undefined	
10h	ADC12MCTL0	ADC12_A Memory Control 0	Read/write	Byte	undefined	Section 17.3.5
11h	ADC12MCTL1	ADC12_A Memory Control 1	Read/write	Byte	undefined	Section 17.3.5
12h	ADC12MCTL2	ADC12_A Memory Control 2	Read/write	Byte	undefined	Section 17.3.5
13h	ADC12MCTL3	ADC12_A Memory Control 3	Read/write	Byte	undefined	Section 17.3.5
14h	ADC12MCTL4	ADC12_A Memory Control 4	Read/write	Byte	undefined	Section 17.3.5
15h	ADC12MCTL5	ADC12_A Memory Control 5	Read/write	Byte	undefined	Section 17.3.5
16h	ADC12MCTL6	ADC12_A Memory Control 6	Read/write	Byte	undefined	Section 17.3.5
17h	ADC12MCTL7	ADC12_A Memory Control 7	Read/write	Byte	undefined	Section 17.3.5
18h	ADC12MCTL8	ADC12_A Memory Control 8	Read/write	Byte	undefined	Section 17.3.5
19h	ADC12MCTL9	ADC12_A Memory Control 9	Read/write	Byte	undefined	Section 17.3.5
1Ah	ADC12MCTL10	ADC12_A Memory Control 10	Read/write	Byte	undefined	Section 17.3.5
1Bh	ADC12MCTL11	ADC12_A Memory Control 11	Read/write	Byte	undefined	Section 17.3.5
1Ch	ADC12MCTL12	ADC12_A Memory Control 12	Read/write	Byte	undefined	Section 17.3.5
1Dh	ADC12MCTL13	ADC12_A Memory Control 13	Read/write	Byte	undefined	Section 17.3.5
1Eh	ADC12MCTL14	ADC12_A Memory Control 14	Read/write	Byte	undefined	Section 17.3.5
1Fh	ADC12MCTL15	ADC12_A Memory Control 15	Read/write	Byte	undefined	Section 17.3.5

17.3.1 ADC12CTL0 Register

ADC12_A Control Register 0

Figure 17-13. ADC12CTL0 Register

15	14	13	12	11	10	9	8
ADC12SHT1x				ADC12SHT0x			
rw-(0)	rw-(0)	rw-(0)	rw-(0)	rw-(0)	rw-(0)	rw-(0)	rw-(0)
7	6	5	4	3	2	1	0
ADC12MSC	ADC12REF2_5 V	ADC12REFON	ADC12ON	ADC12OVIE	ADC12TOVIE	ADC12ENC	ADC12SC
rw-(0)	rw-(0)	rw-(0)	rw-(0)	rw-(0)	rw-(0)	rw-(0)	rw-(0)

Can be modified only when ADC12ENC = 0

Table 17-4. ADC12CTL0 Register Description

Bit	Field	Type	Reset	Description
15-12	ADC12SHT1x	RW	0h	ADC12_A sample-and-hold time. These bits define the number of ADC12CLK cycles in the sampling period for registers ADC12MEM8 to ADC12MEM15.
11-8	ADC12SHT0x	RW	0h	ADC12_A sample-and-hold time. These bits define the number of ADC12CLK cycles in the sampling period for registers ADC12MEM0 to ADC12MEM7. 0000b = 4 ADC12CLK cycles 0001b = 8 ADC12CLK cycles 0010b = 16 ADC12CLK cycles 0011b = 32 ADC12CLK cycles 0100b = 64 ADC12CLK cycles 0101b = 96 ADC12CLK cycles 0110b = 128 ADC12CLK cycles 0111b = 192 ADC12CLK cycles 1000b = 256 ADC12CLK cycles 1001b = 384 ADC12CLK cycles 1010b = 512 ADC12CLK cycles 1011b = 768 ADC12CLK cycles 1100b = 1024 ADC12CLK cycles 1101b = 1024 ADC12CLK cycles 1110b = 1024 ADC12CLK cycles 1111b = 1024 ADC12CLK cycles
7	ADC12MSC	RW	0h	ADC12_A multiple sample and conversion. Valid only for sequence or repeated modes. 0b = The sampling timer requires a rising edge of the SHI signal to trigger each sample-and-convert. 1b = The first rising edge of the SHI signal triggers the sampling timer, but further sample-and-conversions are performed automatically as soon as the prior conversion is completed.
6	ADC12REF2_5V	RW	0h	ADC12_A reference generator voltage. ADC12REFON must also be set. In devices with the REF module, this bit is only valid if the REFMSTR bit of the REF module is set to 0. In the F54xx devices (non-A), the REF module is not available. 0b = 1.5 V 1b = 2.5 V
5	ADC12REFON	RW	0h	ADC12_A reference generator on. In devices with the REF module, this bit is only valid if the REFMSTR bit of the REF module is set to 0. In the F54xx devices (non-A), the REF module is not available. 0b = Reference off 1b = Reference on

Table 17-4. ADC12CTL0 Register Description (continued)

Bit	Field	Type	Reset	Description
4	ADC12ON	RW	0h	ADC12_A on 0b = ADC12_A off 1b = ADC12_A on
3	ADC12OVIE	RW	0h	ADC12MEMx overflow-interrupt enable. The GIE bit must also be set to enable the interrupt. 0b = Overflow interrupt disabled 1b = Overflow interrupt enabled
2	ADC12TOVIE	RW	0h	ADC12_A conversion-time-overflow interrupt enable. The GIE bit must also be set to enable the interrupt. 0b = Conversion time overflow interrupt disabled 1b = Conversion time overflow interrupt enabled
1	ADC12ENC	RW	0h	ADC12_A enable conversion 0b = ADC12_A disabled 1b = ADC12_A enabled
0	ADC12SC	RW	0h	ADC12_A start conversion. Software-controlled sample-and-conversion start. ADC12SC and ADC12ENC may be set together with one instruction. ADC12SC is reset automatically. 0b = No sample-and-conversion-start 1b = Start sample-and-conversion

17.3.2 ADC12CTL1 Register

ADC12_A Control Register 1

Figure 17-14. ADC12CTL1 Register

15	14	13	12	11	10	9	8
ADC12CSTARTADDx				ADC12SHSx		ADC12SHP	ADC12ISSH
rw-(0)	rw-(0)	rw-(0)	rw-(0)	rw-(0)	rw-(0)	rw-(0)	rw-(0)
7	6	5	4	3	2	1	0
ADC12DIVx			ADC12SSELx		ADC12CONSEQx		ADC12BUSY
rw-(0)	rw-(0)	rw-(0)	rw-(0)	rw-(0)	rw-(0)	rw-(0)	r-(0)

Can be modified only when ADC12ENC = 0

Table 17-5. ADC12CTL1 Register Description

Bit	Field	Type	Reset	Description
15-12	ADC12CSTARTADDx	RW	0h	ADC12_A conversion start address. These bits select which ADC12_A conversion-memory register is used for a single conversion or for the first conversion in a sequence. The value of CSTARTADDx is 0 to 0Fh, corresponding to ADC12MEM0 to ADC12MEM15.
11-10	ADC12SHSx	RW	0h	ADC12_A sample-and-hold source select 00b = ADC12SC bit 01b = Timer source (see device-specific data sheet for exact timer and locations) 10b = Timer source (see device-specific data sheet for exact timer and locations) 11b = Timer source (see device-specific data sheet for exact timer and locations)
9	ADC12SHP	RW	0h	ADC12_A sample-and-hold pulse-mode select. This bit selects the source of the sampling signal (SAMPCON) to be either the output of the sampling timer or the sample-input signal directly. 0b = SAMPCON signal is sourced from the sample-input signal. 1b = SAMPCON signal is sourced from the sampling timer.
8	ADC12ISSH	RW	0h	ADC12_A invert signal sample-and-hold 0b = The sample-input signal is not inverted. 1b = The sample-input signal is inverted.
7-5	ADC12DIVx	RW	0h	ADC12_A clock divider 000b = Divide by 1 001b = Divide by 2 010b = Divide by 3 011b = Divide by 4 100b = Divide by 5 101b = Divide by 6 110b = Divide by 7 111b = Divide by 8
4-3	ADC12SSELx	RW	0h	ADC12_A clock source select 00b = ADC12OSC (MODOSC) 01b = ACLK 10b = MCLK 11b = SMCLK
2-1	ADC12CONSEQx	RW	0h	ADC12_A conversion sequence mode select 00b = Single-channel, single-conversion 01b = Sequence-of-channels 10b = Repeat-single-channel 11b = Repeat-sequence-of-channels
0	ADC12BUSY	R	0h	ADC12_A busy. This bit indicates an active sample or conversion operation. 0b = No operation is active. 1b = A sequence, sample, or conversion is active.

17.3.3 ADC12CTL2 Register

ADC12_A Control Register 2

Figure 17-15. ADC12CTL2 Register

15	14	13	12	11	10	9	8
Reserved							ADC12PDIV
r-0	r-0	r-0	r-0	r-0	r-0	r-0	rw-0
7	6	5	4	3	2	1	0
ADC12TCOFF	Reserved	ADC12RES		ADC12DF	ADC12SR	ADC12REFOUT	ADC12REFBURST
rw-(0)	r-0	rw-(1)	rw-(0)	rw-(0)	rw-(0)	rw-(0)	rw-(0)

Can be modified only when ADC12ENC = 0

Table 17-6. ADC12CTL2 Register Description

Bit	Field	Type	Reset	Description
15-9	Reserved	R	0h	Reserved. Always reads as 0.
8	ADC12PDIV	RW	0h	ADC12_A predivider. This bit predivides the selected ADC12_A clock source. 0b = Predivide by 1 1b = Predivide by 4
7	ADC12TCOFF	RW	0h	ADC12_A temperature sensor off. If the bit is set, the temperature sensor turned off. This is used to save power. In devices with the REF module, this bit is only valid if the REFMSTR bit of the REF module is set to 0. In the F54xx devices (non-A), the REF module is not available. 0b = Temperature sensor on 1b = Temperature sensor off
6	Reserved	R	0h	Reserved. Always reads as 0.
5-4	ADC12RES	RW	2h	ADC12_A resolution. This bit defines the conversion result resolution. 00b = 8 bit (9 clock cycle conversion time) 01b = 10 bit (11 clock cycle conversion time) 10b = 12 bit (13 clock cycle conversion time) 11b = Reserved
3	ADC12DF	RW	0h	ADC12_A data read-back format. Data is always stored in the binary unsigned format. 0b = Binary unsigned. Theoretically, the analog input voltage -VREF results in 0000h, the analog input voltage +VREF results in 0FFFh. 1b = Signed binary (2s complement), left aligned. Theoretically, the analog input voltage -VREF results in 8000h, the analog input voltage +VREF results in 7FF0h.
2	ADC12SR	RW	0h	ADC12_A sampling rate. This bit selects the reference buffer drive capability for the maximum sampling rate. Setting ADC12SR reduces the current consumption of the reference buffer. 0b = Reference buffer supports up to approximately 200 ksp/s. 1b = Reference buffer supports up to approximately 50 ksp/s.
1	ADC12REFOUT	RW	0h	Reference output. In devices with the REF module, this bit is only valid if the REFMSTR bit of the REF module is set to 0. In the F54xx devices (non-A), the REF module is not available. 0b = Reference output off 1b = Reference output on
0	ADC12REFBURST	RW	0h	Reference burst 0b = Reference buffer on continuously 1b = Reference buffer on only during sample-and-conversion

17.3.4 ADC12MEMx Register

ADC12_A Conversion Memory Register

Figure 17-16. ADC12MEMx Register

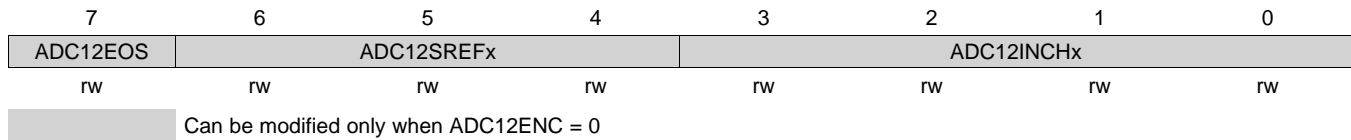
15	14	13	12	11	10	9	8
Conversion Results							
rw	rw	rw	rw	rw	rw	rw	rw
7	6	5	4	3	2	1	0
Conversion Results							
rw	rw	rw	rw	rw	rw	rw	rw

Table 17-7. ADC12MEMx Register Description

Bit	Field	Type	Reset	Description
15-0	Conversion Results	RW	undefined	<p>Binary unsigned format: This data format is used if ADC12DF = 0. The 12-bit conversion results are right justified. Bit 11 is the MSB. Bits 15–12 are 0 in 12-bit mode, bits 15–10 are 0 in 10-bit mode, and bits 15–8 are 0 in 8-bit mode. Writing to the conversion memory registers corrupts the results.</p> <p>2s-complement format: This data format is used if ADC12DF = 1. The 12-bit conversion results are left justified, 2s-complement format. Bit 15 is the MSB. Bits 3–0 are 0 in 12-bit mode, bits 5–0 are 0 in 10-bit mode, and bits 7–0 are 0 in 8-bit mode. The data is stored in the right-justified format and is converted to the left-justified 2s-complement format during read back.</p>

17.3.5 ADC12MCTLx Register

ADC12_A Conversion Memory Control Register

Figure 17-17. ADC12MCTLx Register

Table 17-8. ADC12MCTLx Register Description

Bit	Field	Type	Reset	Description
7	ADC12EOS	RW	0h	End of sequence. Indicates the last conversion in a sequence. 0b = Not end of sequence 1b = End of sequence
6-4	ADC12SREFx	RW	0h	Select reference 000b = V(R+) = AVCC and V(R-) = AVSS 001b = V(R+) = VREF+ and V(R-) = AVSS 010b = V(R+) = VeREF+ and V(R-) = AVSS 011b = V(R+) = VeREF+ and V(R-) = AVSS 100b = V(R+) = AVCC and V(R-) = VREF-/VeREF- 101b = V(R+) = VREF+ and V(R-) = VREF-/VeREF- 110b = V(R+) = VeREF+ and V(R-) = VREF-/VeREF- 111b = V(R+) = VeREF+ and V(R-) = VREF-/VeREF-
3-0	ADC12INCHx	RW	0h	Input channel select 0000b = A0 0001b = A1 0010b = A2 0011b = A3 0100b = A4 0101b = A5 0110b = A6 0111b = A7 1000b = VeREF+ 1001b = VREF-/VeREF- 1010b = Temperature diode 1011b = (AVCC – AVSS) / 2 1100b = A12. On devices with the Battery Backup System, VBAT can be measured internally by the ADC. 1101b = A13 1110b = A14 1111b = A15

17.3.6 ADC12IE Register

ADC12_A Interrupt Enable Register

Figure 17-18. ADC12IE Register

15	14	13	12	11	10	9	8
ADC12IE15	ADC12IE14	ADC12IE13	ADC12IE12	ADC12IE11	ADC12IE10	ADC12IE9	ADC12IE8
rw-(0)	rw-(0)	rw-(0)	rw-(0)	rw-(0)	rw-(0)	rw-(0)	rw-(0)
7	6	5	4	3	2	1	0
ADC12IE7	ADC12IE6	ADC12IE5	ADC12IE4	ADC12IE3	ADC12IE2	ADC12IE1	ADC12IE0
rw-(0)	rw-(0)	rw-(0)	rw-(0)	rw-(0)	rw-(0)	rw-(0)	rw-(0)

Table 17-9. ADC12IE Register Description

Bit	Field	Type	Reset	Description
15	ADC12IE15	RW	0h	Interrupt enable. This bit enables or disables the interrupt request for the ADC12IFG15 bit. 0b = Interrupt disabled 1b = Interrupt enabled
14	ADC12IE14	RW	0h	Interrupt enable. This bit enables or disables the interrupt request for the ADC12IFG14 bit. 0b = Interrupt disabled 1b = Interrupt enabled
13	ADC12IE13	RW	0h	Interrupt enable. This bit enables or disables the interrupt request for the ADC12IFG13 bit. 0b = Interrupt disabled 1b = Interrupt enabled
12	ADC12IE12	RW	0h	Interrupt enable. This bit enables or disables the interrupt request for the ADC12IFG12 bit. 0b = Interrupt disabled 1b = Interrupt enabled
11	ADC12IE11	RW	0h	Interrupt enable. This bit enables or disables the interrupt request for the ADC12IFG11 bit. 0b = Interrupt disabled 1b = Interrupt enabled
10	ADC12IE10	RW	0h	Interrupt enable. This bit enables or disables the interrupt request for the ADC12IFG10 bit. 0b = Interrupt disabled 1b = Interrupt enabled
9	ADC12IE9	RW	0h	Interrupt enable. This bit enables or disables the interrupt request for the ADC12IFG9 bit. 0b = Interrupt disabled 1b = Interrupt enabled
8	ADC12IE8	RW	0h	Interrupt enable. This bit enables or disables the interrupt request for the ADC12IFG8 bit. 0b = Interrupt disabled 1b = Interrupt enabled
7	ADC12IE7	RW	0h	Interrupt enable. This bit enables or disables the interrupt request for the ADC12IFG7 bit. 0b = Interrupt disabled 1b = Interrupt enabled
6	ADC12IE6	RW	0h	Interrupt enable. This bit enables or disables the interrupt request for the ADC12IFG6 bit. 0b = Interrupt disabled 1b = Interrupt enabled

Table 17-9. ADC12IE Register Description (continued)

Bit	Field	Type	Reset	Description
5	ADC12IE5	RW	0h	Interrupt enable. This bit enables or disables the interrupt request for the ADC12IFG5 bit. 0b = Interrupt disabled 1b = Interrupt enabled
4	ADC12IE4	RW	0h	Interrupt enable. This bit enables or disables the interrupt request for the ADC12IFG4 bit. 0b = Interrupt disabled 1b = Interrupt enabled
3	ADC12IE3	RW	0h	Interrupt enable. This bit enables or disables the interrupt request for the ADC12IFG3 bit. 0b = Interrupt disabled 1b = Interrupt enabled
2	ADC12IE2	RW	0h	Interrupt enable. This bit enables or disables the interrupt request for the ADC12IFG2 bit. 0b = Interrupt disabled 1b = Interrupt enabled
1	ADC12IE1	RW	0h	Interrupt enable. This bit enables or disables the interrupt request for the ADC12IFG1 bit. 0b = Interrupt disabled 1b = Interrupt enabled
0	ADC12IE0	RW	0h	Interrupt enable. This bit enables or disables the interrupt request for the ADC12IFG0 bit. 0b = Interrupt disabled 1b = Interrupt enabled

17.3.7 ADC12IFG Register

ADC12_A Interrupt Flag Register

Figure 17-19. ADC12IFG Register

15	14	13	12	11	10	9	8
ADC12IFG15	ADC12IFG14	ADC12IFG13	ADC12IFG12	ADC12IFG11	ADC12IFG10	ADC12IFG9	ADC12IFG8
rw-(0)	rw-(0)	rw-(0)	rw-(0)	rw-(0)	rw-(0)	rw-(0)	rw-(0)
7	6	5	4	3	2	1	0
ADC12IFG7	ADC12IFG6	ADC12IFG5	ADC12IFG4	ADC12IFG3	ADC12IFG2	ADC12IFG1	ADC12IFG0
rw-(0)	rw-(0)	rw-(0)	rw-(0)	rw-(0)	rw-(0)	rw-(0)	rw-(0)

Table 17-10. ADC12IFG Register Description

Bit	Field	Type	Reset	Description
15	ADC12IFG15	RW	0h	ADC12MEM15 interrupt flag. This bit is set when ADC12MEM15 is loaded with a conversion result. This bit is reset if the ADC12MEM15 is accessed, or it may be reset with software. 0b = No interrupt pending 1b = Interrupt pending
14	ADC12IFG14	RW	0h	ADC12MEM14 interrupt flag. This bit is set when ADC12MEM14 is loaded with a conversion result. This bit is reset if the ADC12MEM14 is accessed, or it may be reset with software. 0b = No interrupt pending 1b = Interrupt pending
13	ADC12IFG13	RW	0h	ADC12MEM13 interrupt flag. This bit is set when ADC12MEM13 is loaded with a conversion result. This bit is reset if the ADC12MEM13 is accessed, or it may be reset with software. 0b = No interrupt pending 1b = Interrupt pending
12	ADC12IFG12	RW	0h	ADC12MEM12 interrupt flag. This bit is set when ADC12MEM12 is loaded with a conversion result. This bit is reset if the ADC12MEM12 is accessed, or it may be reset with software. 0b = No interrupt pending 1b = Interrupt pending
11	ADC12IFG11	RW	0h	ADC12MEM11 interrupt flag. This bit is set when ADC12MEM11 is loaded with a conversion result. This bit is reset if the ADC12MEM11 is accessed, or it may be reset with software. 0b = No interrupt pending 1b = Interrupt pending
10	ADC12IFG10	RW	0h	ADC12MEM10 interrupt flag. This bit is set when ADC12MEM10 is loaded with a conversion result. This bit is reset if the ADC12MEM10 is accessed, or it may be reset with software. 0b = No interrupt pending 1b = Interrupt pending
9	ADC12IFG9	RW	0h	ADC12MEM9 interrupt flag. This bit is set when ADC12MEM9 is loaded with a conversion result. This bit is reset if the ADC12MEM9 is accessed, or it may be reset with software. 0b = No interrupt pending 1b = Interrupt pending
8	ADC12IFG8	RW	0h	ADC12MEM8 interrupt flag. This bit is set when ADC12MEM8 is loaded with a conversion result. This bit is reset if the ADC12MEM8 is accessed, or it may be reset with software. 0b = No interrupt pending 1b = Interrupt pending

Table 17-10. ADC12IFG Register Description (continued)

Bit	Field	Type	Reset	Description
7	ADC12IFG7	RW	0h	ADC12MEM7 interrupt flag. This bit is set when ADC12MEM7 is loaded with a conversion result. This bit is reset if the ADC12MEM7 is accessed, or it may be reset with software. 0b = No interrupt pending 1b = Interrupt pending
6	ADC12IFG6	RW	0h	ADC12MEM6 interrupt flag. This bit is set when ADC12MEM6 is loaded with a conversion result. This bit is reset if the ADC12MEM6 is accessed, or it may be reset with software. 0b = No interrupt pending 1b = Interrupt pending
5	ADC12IFG5	RW	0h	ADC12MEM5 interrupt flag. This bit is set when ADC12MEM5 is loaded with a conversion result. This bit is reset if the ADC12MEM5 is accessed, or it may be reset with software. 0b = No interrupt pending 1b = Interrupt pending
4	ADC12IFG4	RW	0h	ADC12MEM4 interrupt flag. This bit is set when ADC12MEM4 is loaded with a conversion result. This bit is reset if the ADC12MEM4 is accessed, or it may be reset with software. 0b = No interrupt pending 1b = Interrupt pending
3	ADC12IFG3	RW	0h	ADC12MEM3 interrupt flag. This bit is set when ADC12MEM3 is loaded with a conversion result. This bit is reset if the ADC12MEM3 is accessed, or it may be reset with software. 0b = No interrupt pending 1b = Interrupt pending
2	ADC12IFG2	RW	0h	ADC12MEM2 interrupt flag. This bit is set when ADC12MEM2 is loaded with a conversion result. This bit is reset if the ADC12MEM2 is accessed, or it may be reset with software. 0b = No interrupt pending 1b = Interrupt pending
1	ADC12IFG1	RW	0h	ADC12MEM1 interrupt flag. This bit is set when ADC12MEM1 is loaded with a conversion result. This bit is reset if the ADC12MEM1 is accessed, or it may be reset with software. 0b = No interrupt pending 1b = Interrupt pending
0	ADC12IFG0	RW	0h	ADC12MEM0 interrupt flag. This bit is set when ADC12MEM0 is loaded with a conversion result. This bit is reset if the ADC12MEM0 is accessed, or it may be reset with software. 0b = No interrupt pending 1b = Interrupt pending

17.3.8 ADC12IV Register

ADC12_A Interrupt Vector Register

Figure 17-20. ADC12IV Register

15	14	13	12	11	10	9	8
ADC12IVx							
r0	r0	r0	r0	r0	r0	r0	r0
7	6	5	4	3	2	1	0
ADC12IVx							
r0	r0	r-(0)	r-(0)	r-(0)	r-(0)	r-(0)	r0

Table 17-11. ADC12IV Register Description

Bit	Field	Type	Reset	Description
15-0	ADC12IVx	R	0h	ADC12_A interrupt vector value 00h = No interrupt pending 02h = Interrupt Source: ADC12MEMx overflow; Interrupt Flag: –; Interrupt Priority: Highest 04h = Interrupt Source: Conversion time overflow; Interrupt Flag: – 06h = Interrupt Source: ADC12MEM0 interrupt flag; Interrupt Flag: ADC12IFG0 08h = Interrupt Source: ADC12MEM1 interrupt flag; Interrupt Flag: ADC12IFG1 0Ah = Interrupt Source: ADC12MEM2 interrupt flag; Interrupt Flag: ADC12IFG2 0Ch = Interrupt Source: ADC12MEM3 interrupt flag; Interrupt Flag: ADC12IFG3 0Eh = Interrupt Source: ADC12MEM4 interrupt flag; Interrupt Flag: ADC12IFG4 10h = Interrupt Source: ADC12MEM5 interrupt flag; Interrupt Flag: ADC12IFG5 12h = Interrupt Source: ADC12MEM6 interrupt flag; Interrupt Flag: ADC12IFG6 14h = Interrupt Source: ADC12MEM7 interrupt flag; Interrupt Flag: ADC12IFG7 16h = Interrupt Source: ADC12MEM8 interrupt flag; Interrupt Flag: ADC12IFG8 18h = Interrupt Source: ADC12MEM9 interrupt flag; Interrupt Flag: ADC12IFG9 1Ah = Interrupt Source: ADC12MEM10 interrupt flag; Interrupt Flag: ADC12IFG10 1Ch = Interrupt Source: ADC12MEM11 interrupt flag; Interrupt Flag: ADC12IFG11 1Eh = Interrupt Source: ADC12MEM12 interrupt flag; Interrupt Flag: ADC12IFG12 20h = Interrupt Source: ADC12MEM13 interrupt flag; Interrupt Flag: ADC12IFG13 22h = Interrupt Source: ADC12MEM14 interrupt flag; Interrupt Flag: ADC12IFG14 24h = Interrupt Source: ADC12MEM15 interrupt flag; Interrupt Flag: ADC12IFG15; Interrupt Priority: Lowest



Comp_B

Comp_B is an analog voltage comparator. This chapter describes the Comp_B. Comp_B covers general comparator functionality for up to 16 channels.

Topic	Page
18.1 Comp_B Introduction	506
18.2 Comp_B Operation	507
18.3 Comp_B Registers	512

18.1 Comp_B Introduction

The Comp_B module supports precision slope analog-to-digital conversions, supply voltage supervision, and monitoring of external analog signals.

Features of Comp_B include:

- Inverting and noninverting terminal input multiplexer
- Software-selectable RC filter for the comparator output
- Output provided to Timer_A capture input
- Software control of the port input buffer
- Interrupt capability
- Selectable reference voltage generator, voltage hysteresis generator
- Reference voltage input from shared reference
- Ultra-low-power comparator mode
- Interrupt driven measurement system – low-power operation support

The Comp_B block diagram is shown in [Figure 18-1](#).

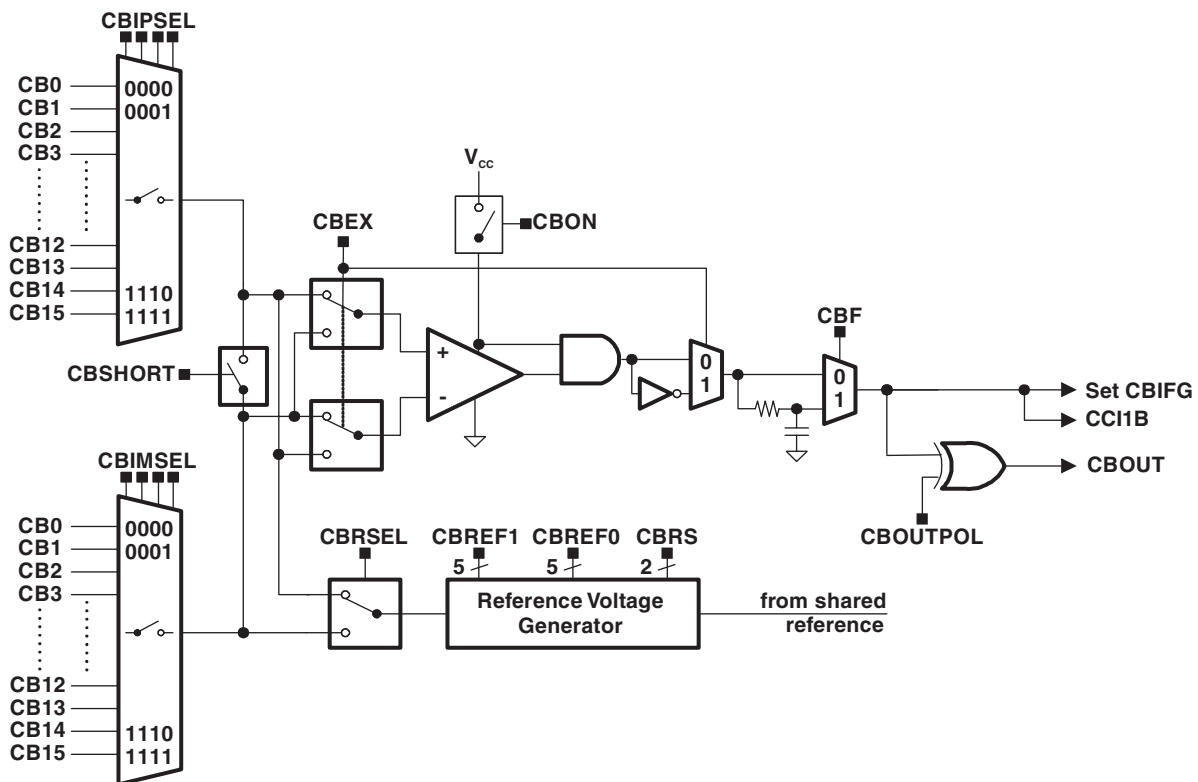


Figure 18-1. Comp_B Block Diagram

18.2 Comp_B Operation

The Comp_B module is configured by user software. The setup and operation of Comp_B is discussed in the following sections.

18.2.1 Comparator

The comparator compares the analog voltages at the + and – input terminals. If the + terminal is more positive than the – terminal, the comparator output CBOUT is high. The comparator can be switched on or off using control bit CBON. The comparator should be switched off when not in use to reduce current consumption. When the comparator is switched off, CBOUT is always low. The bias current of the comparator is programmable.

18.2.2 Analog Input Switches

The analog input switches connect or disconnect the two comparator input terminals to associated port pins using the CBIPSELx and CBIMSELx bits. The comparator terminal inputs can be controlled individually. The CBIPSELx/CBIMSELx bits allow:

- Application of an external signal to the + and – terminals of the comparator
- Routing of an internal reference voltage to an associated output port pin
- Application of an external current source (for example, a resistor) to the + or – terminal of the comparator
- The mapping of both terminals of the internal multiplexer to the outside

Internally, the input switch is constructed as a T-switch to suppress distortion in the signal path.

NOTE: Comparator Input Connection

When the comparator is on, the input terminals should be connected to a signal, power, or ground. Otherwise, floating levels may cause unexpected interrupts and increased current consumption.

The CBEX bit controls the input multiplexer, permuting the input signals of the comparator's + and – terminals. Additionally, when the comparator terminals are permuted, the output signal from the comparator is inverted too. This allows the user to determine or compensate for the comparator input offset voltage.

18.2.3 Port Logic

The Px.y pins associated with a comparator channel are enabled by the CBIPSELx or CBIMSELx bits to disable its digital components while used as comparator input. Only one of the comparator input pins is selected as input to the comparator by the input multiplexer at a time.

18.2.4 Input Short Switch

The CBSHORT bit shorts the Comp_B inputs. This can be used to build a simple sample-and-hold for the comparator as shown in [Figure 18-2](#).

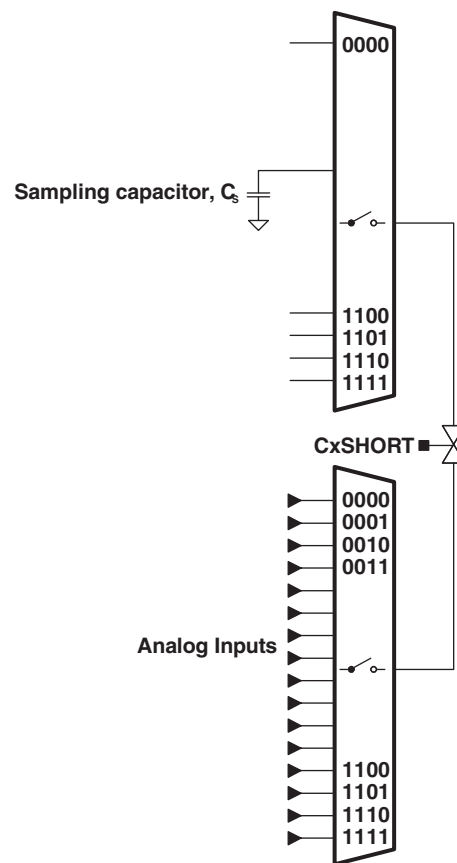


Figure 18-2. Comp_B Sample-And-Hold

The required sampling time is proportional to the size of the sampling capacitor (C_s), the resistance of the input switches in series with the short switch (R_i), and the resistance of the external source (R_s). The total internal resistance (R_i) is typically in the range of 1 k Ω . The sampling capacitor C_s should be greater than 100 pF. The time constant, τ , to charge the sampling capacitor C_s can be calculated with the following equation:

$$\tau = (R_i + R_s) \times C_s$$

Depending on the required accuracy, 3 to 10 τ should be used as a sampling time. With 3 τ the sampling capacitor is charged to approximately 95% of the input signals voltage level, with 5 τ it is charged to more than 99%, and with 10 τ the sampled voltage is sufficient for 12-bit accuracy.

18.2.5 Output Filter

The output of the comparator can be used with or without internal filtering. When control bit CBF is set, the output is filtered with an on-chip RC filter. The delay of the filter can be adjusted in four different steps.

All comparator outputs are oscillating if the voltage difference across the input terminals is small. Internal and external parasitic effects and cross coupling on and between signal lines, power supply lines, and other parts of the system are responsible for this behavior as shown in [Figure 18-3](#). The comparator output oscillation reduces the accuracy and resolution of the comparison result. Selecting the output filter can reduce errors associated with comparator oscillation.

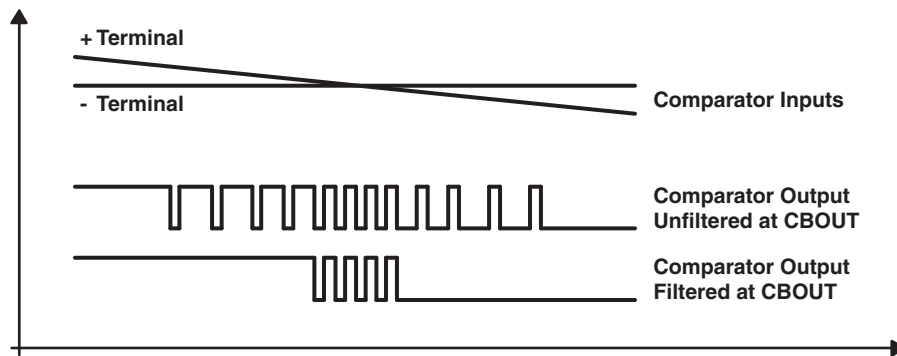


Figure 18-3. RC-Filter Response at the Output of the Comparator

18.2.6 Reference Voltage Generator

The Comp_B reference block diagram is shown in Figure 18-4.

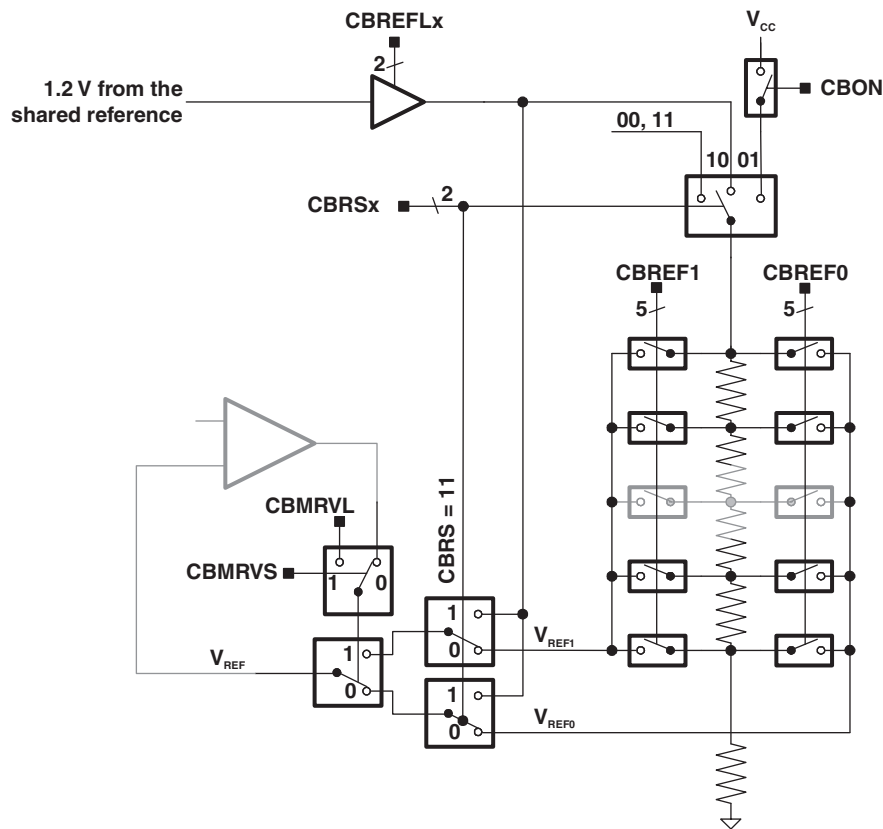


Figure 18-4. Reference Generator Block Diagram

The voltage reference generator is used to generate VREF, which can be applied to either comparator input terminal. The CBREF1x (VREF1) and CBREF0x (VREF0) bits control the output of the voltage generator. The CBRSEL bit selects the comparator terminal to which VREF is applied. If external signals are applied to both comparator input terminals, the internal reference generator should be turned off to reduce current consumption. The voltage reference generator can generate a fraction of the device's VCC or of the voltage reference of the integrated precision voltage reference source. Vref1 is used while CBOU is 1 and Vref0 is used while CBOU is 0. This allows the generation of a hysteresis without using external components.

18.2.7 Comp_B, Port Disable Register CBPD

The comparator input and output functions are multiplexed with the associated I/O port pins, which are digital CMOS gates. When analog signals are applied to digital CMOS gates, parasitic current can flow from V_{CC} to GND. This parasitic current occurs if the input voltage is near the transition level of the gate. Disabling the port pin buffer eliminates the parasitic current flow and therefore reduces overall current consumption.

The CBPDx bits, when set, disable the corresponding Px.y input buffer as shown in Figure 18-5. When current consumption is critical, any Px.y pin connected to analog signals should be disabled with their associated CBPDx bits.

Selecting an input pin to the comparator multiplexer with the CBIPSEL or CBIMSEL bits automatically disables the input buffer for that pin, regardless of the state of the associated CBPDx bit.

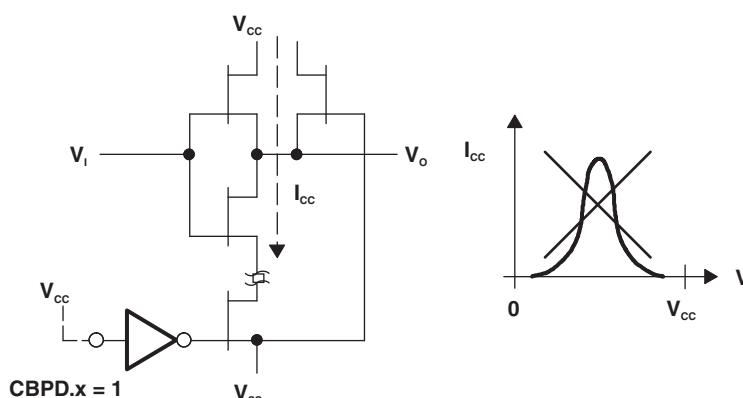


Figure 18-5. Transfer Characteristic and Power Dissipation in a CMOS Inverter/Buffer

18.2.8 Comp_B Interrupts

One interrupt flag and one interrupt vector is associated with the Comp_B.

The interrupt flag CBIFG is set on either the rising or falling edge of the comparator output, selected by the CBIES bit. If both the CBIE and the GIE bits are set, then the CBIFG interrupt flag generates an interrupt request.

18.2.9 Comp_B Used to Measure Resistive Elements

The Comp_B can be optimized to precisely measure resistive elements using single slope analog-to-digital conversion. For example, temperature can be converted into digital data using a thermistor, by comparing the thermistor's capacitor discharge time to that of a reference resistor as shown in Figure 18-6. A reference resistor Rref is compared to Rmeas.

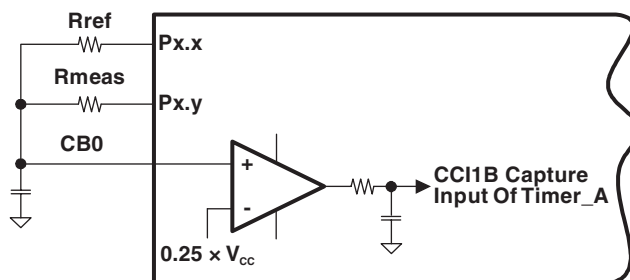


Figure 18-6. Temperature Measurement System

The resources used to calculate the temperature sensed by R_{meas} are:

- Two digital I/O pins charge and discharge the capacitor.
- I/O is set to output high (V_{CC}) to charge capacitor, reset to discharge.
- I/O is switched to high-impedance input with CBPDx set when not in use.
- One output charges and discharges the capacitor via R_{ref}.
- One output discharges capacitor via R_{meas}.
- The + terminal is connected to the positive terminal of the capacitor.
- The – terminal is connected to a reference level, for example 0.25 × V_{CC}.
- The output filter should be used to minimize switching noise.
- CBOUT is used to gate Timer_A CCI1B, capturing capacitor discharge time.

More than one resistive element can be measured. Additional elements are connected to CB0 with available I/O pins and switched to high impedance when not being measured.

The thermistor measurement is based on a ratiometric conversion principle. The ratio of two capacitor discharge times is calculated as shown in Figure 18-7.

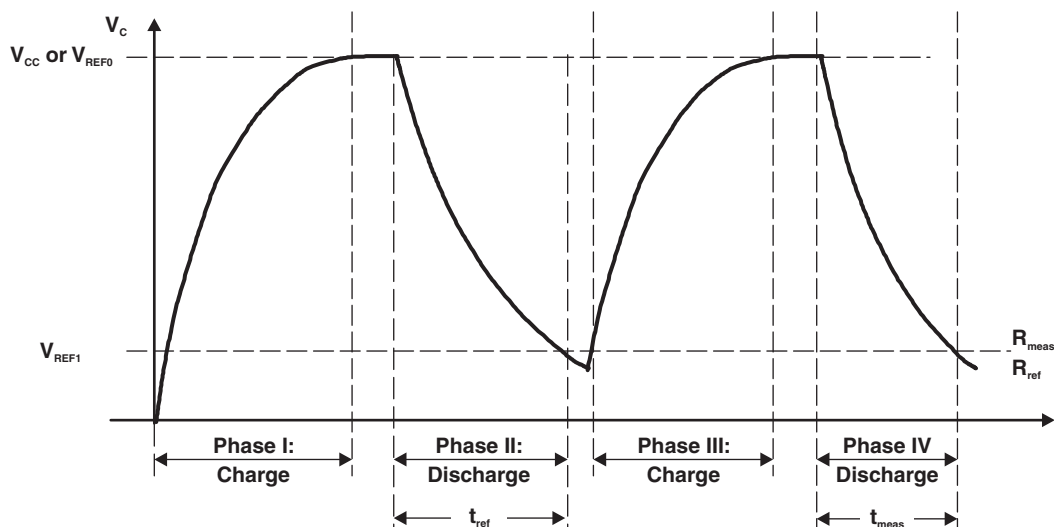


Figure 18-7. Timing for Temperature Measurement Systems

The V_{CC} voltage and the capacitor value should remain constant during the conversion, but are not critical since they cancel in the ratio:

$$\frac{N_{\text{meas}}}{N_{\text{ref}}} = \frac{-R_{\text{meas}} \times C \times \ln \frac{V_{\text{ref1}}}{V_{\text{CC}}}}{-R_{\text{ref}} \times C \times \ln \frac{V_{\text{ref1}}}{V_{\text{CC}}}}$$

$$\frac{N_{\text{meas}}}{N_{\text{ref}}} = \frac{R_{\text{meas}}}{R_{\text{ref}}}$$

$$R_{\text{meas}} = R_{\text{ref}} \times \frac{N_{\text{meas}}}{N_{\text{ref}}}$$

18.3 Comp_B Registers

The Comp_B registers are listed in [Table 18-1](#). The base address of the Comp_B module can be found in the device-specific data sheet.

Table 18-1. Comp_B Registers

Offset	Acronym	Register Name	Type	Access	Reset	Section
00h	CBCTL0	Comp_B control register 0	Read/write	Word	0000h	Section 18.3.1
02h	CBCTL1	Comp_B control register 1	Read/write	Word	0000h	Section 18.3.2
04h	CBCTL2	Comp_B control register 2	Read/write	Word	0000h	Section 18.3.3
06h	CBCTL3	Comp_B control register 3	Read/write	Word	0000h	Section 18.3.4
0Ch	CBINT	Comp_B interrupt register	Read/write	Word	0000h	Section 18.3.5
0Eh	CBIV	Comp_B interrupt vector word	Read	Word	0000h	Section 18.3.6

18.3.1 CBCTL0 Register

Comp_B Control Register 0

Figure 18-8. CBCTL0 Register

15	14	13	12	11	10	9	8
CBIMEN	Reserved			CBIMSEL			
rw-0	r-0	r-0	r-0	rw-0	rw-0	rw-0	rw-0
7	6	5	4	3	2	1	0
CBIPEN	Reserved			CBIPSEL			
rw-0	r-0	r-0	r-0	rw-0	rw-0	rw-0	rw-0

Table 18-2. CBCTL0 Register Description

Bit	Field	Type	Reset	Description
15	CBIMEN	RW	0h	Channel input enable for the V ⁻ terminal of the comparator. 0b = Selected analog input channel for V ⁻ terminal is disabled. 1b = Selected analog input channel for V ⁻ terminal is enabled.
14-12	Reserved	R	0h	Reserved. Always reads as 0.
11-8	CBIMSEL	RW	0h	Channel input selected for the V ⁻ terminal of the comparator if CBIMEN is set to 1.
7	CBIPEN	RW	0h	Channel input enable for the V ⁺ terminal of the comparator. 0b = Selected analog input channel for V ⁺ terminal is disabled. 1b = Selected analog input channel for V ⁺ terminal is enabled.
6-4	Reserved	R	0h	Reserved. Always reads as 0.
3-0	CBIPSEL	RW	0h	Channel input selected for the V ⁺ terminal of the comparator if CBIPEN is set to 1.

18.3.2 CBCTL1 Register

Comp_B Control Register 1

Figure 18-9. CBCTL1 Register

15	14	13	12	11	10	9	8
Reserved			CBMRVS	CBMRVL	CBON	CBPWRMD	
r-0	r-0	r-0	rw-0	rw-0	rw-0	rw-0	rw-0
7	6	5	4	3	2	1	0
CBFDLY		CBEX	CBSHORT	CBIES	CBF	CBOUTPOL	CBOUT
rw-0	rw-0	rw-0	rw-0	rw-0	rw-0	rw-0	r-0

Table 18-3. CBCTL1 Register Description

Bit	Field	Type	Reset	Description
15-13	Reserved	R	0h	Reserved. Always reads as 0.
12	CBMRVS	RW	0h	This bit defines if the comparator output selects between VREF0 or VREF1 if CBRS = 00, 01, or 10. 0b = Comparator output state selects between VREF0 or VREF1. 1b = CBMRVL selects between VREF0 or VREF1.
11	CBMRVL	RW	0h	This bit is valid if CBMRVS is set to 1. 0b = VREF0 is selected if CBRS = 00, 01, or 10. 1b = VREF1 is selected if CBRS = 00, 01, or 10.
10	CBON	RW	0h	On. This bit turns the comparator on. When the comparator is turned off the Comp_B consumes no power. 0b = Off 1b = On
9-8	CBPWRMD	RW	0h	Power mode. Not all modes are supported in all products. See devices specific data sheet for details. 00b = High-speed mode (optional) 01b = Normal mode (optional) 10b = Ultra-low-power mode (optional) 11b = Reserved
7-6	CBFDLY	RW	0h	Filter delay. The filter delay can be selected in 4 steps. See the device-specific data sheet for details. 00b = Typical filter delay of 450 ns 01b = Typical filter delay of 900 ns 10b = Typical filter delay of 1800 ns 11b = Typical filter delay of 3600 ns
5	CBEX	RW	0h	Exchange. This bit permutes the comparator 0 inputs and inverts the comparator 0 output.
4	CBSHORT	RW	0h	Input short. This bit shorts the + and – input terminals. 0b = Inputs not shorted 1b = Inputs shorted
3	CBIES	RW	0h	Interrupt edge select for CBIIFG and CBIFG 0b = Rising edge for CBIFG, falling edge for CBIIFG 1b = Falling edge for CBIFG, rising edge for CBIIFG
2	CBF	RW	0h	Output filter 0b = Comp_B output is not filtered 1b = Comp_B output is filtered
1	CBOUTPOL	RW	0h	Output polarity. This bit defines the CBOUT polarity. 0b = Noninverted 1b = Inverted

Table 18-3. CBCTL1 Register Description (continued)

Bit	Field	Type	Reset	Description
0	CBOUT	R	0h	Output value. This bit reflects the value of the Comp_B output. Writing this bit has no effect on the comparator output.

18.3.3 CBCTL2 Register

Comp_B Control Register 2

Figure 18-10. CBCTL2 Register

15	14	13	12	11	10	9	8
CBREFACC	CBREFL		CBREF1				
rw-0	rw-0	rw-0	rw-0	rw-0	rw-0	rw-0	rw-0
7	6	5	4	3	2	1	0
CBRS		CBRSEL	CBREF0				
rw-0	rw-0	rw-0	rw-0	rw-0	rw-0	rw-0	rw-0

Table 18-4. CBCTL2 Register Description

Bit	Field	Type	Reset	Description
15	CBREFACC	RW	0h	Reference accuracy. A reference voltage is requested only if CBREFL > 0. 0b = Static mode 1b = Clocked (low-power, low-accuracy) mode
14-13	CBREFL	RW	0h	Reference voltage level 00b = Reference voltage is disabled. No reference voltage is requested. 01b = 1.5 V 10b = 2.0 V 11b = 2.5 V
12-8	CBREF1	RW	0h	Reference resistor tap 1. This register defines the tap of the resistor string while CROUT = 1.
7-6	CBRS	RW	0h	Reference source. This bit define if the reference voltage is derived from VCC or from the precise shared reference. 00b = No current is drawn by the reference curcuitry. 01b = VCC applied to the resistor ladder 10b = Shared reference voltage applied to the resistor ladder. 11b = Shared reference voltage supplied to V(CREF). Resistor ladder is off.
5	CBRSEL	RW	0h	Reference select. This bit selects which terminal the V(CREF) is applied to. 0b = When CBEX = 0: V(REF) is applied to the + terminal; When CBEX = 1: V(REF) is applied to the – terminal 1b = When CBEX = 0: V(REF) is applied to the – terminal; When CBEX = 1: V(REF) is applied to the + terminal
4-0	CBREF0	RW	0h	Reference resistor tap 0. This register defines the tap of the resistor string while CROUT = 0.

18.3.4 CBCTL3 Register

Comp_B Control Register 3

Figure 18-11. CBCTL3 Register

15	14	13	12	11	10	9	8
CBPD15	CBPD14	CBPD13	CBPD14	CBPD11	CBPD10	CBPD9	CBPD8
rw-(0)	rw-(0)	rw-(0)	rw-(0)	rw-(0)	rw-(0)	rw-(0)	rw-(0)
7	6	5	4	3	2	1	0
CBPD7	CBPD6	CBPD5	CBPD4	CBPD3	CBPD2	CBPD1	CBPD0
rw-(0)	rw-(0)	rw-(0)	rw-(0)	rw-(0)	rw-(0)	rw-(0)	rw-(0)

Table 18-5. CBCTL3 Register Description

Bit	Field	Type	Reset	Description
15	CBPD15	RW	0h	Port disable. This bit individually disables the input buffer for the pins of the port associated with Comp_B. The bit CBPD15 disables the port of the comparator channel 15. 0b = Input buffer enabled 1b = Input buffer disabled
14	CBPD14	RW	0h	Port disable. This bit individually disables the input buffer for the pins of the port associated with Comp_B. The bit CBPD14 disables the port of the comparator channel 14. 0b = Input buffer enabled 1b = Input buffer disabled
13	CBPD13	RW	0h	Port disable. This bit individually disables the input buffer for the pins of the port associated with Comp_B. The bit CBPD13 disables the port of the comparator channel 13. 0b = Input buffer enabled 1b = Input buffer disabled
12	CBPD12	RW	0h	Port disable. This bit individually disables the input buffer for the pins of the port associated with Comp_B. The bit CBPD12 disables the port of the comparator channel 12. 0b = Input buffer enabled 1b = Input buffer disabled
11	CBPD11	RW	0h	Port disable. This bit individually disables the input buffer for the pins of the port associated with Comp_B. The bit CBPD11 disables the port of the comparator channel 11. 0b = Input buffer enabled 1b = Input buffer disabled
10	CBPD10	RW	0h	Port disable. This bit individually disables the input buffer for the pins of the port associated with Comp_B. The bit CBPD10 disables the port of the comparator channel 10. 0b = Input buffer enabled 1b = Input buffer disabled
9	CBPD9	RW	0h	Port disable. This bit individually disables the input buffer for the pins of the port associated with Comp_B. The bit CBPD9 disables the port of the comparator channel 9. 0b = Input buffer enabled 1b = Input buffer disabled
8	CBPD8	RW	0h	Port disable. This bit individually disables the input buffer for the pins of the port associated with Comp_B. The bit CBPD8 disables the port of the comparator channel 8. 0b = Input buffer enabled 1b = Input buffer disabled

Table 18-5. CBCTL3 Register Description (continued)

Bit	Field	Type	Reset	Description
7	CBPD7	RW	0h	Port disable. This bit individually disables the input buffer for the pins of the port associated with Comp_B. The bit CBPD7 disables the port of the comparator channel 7. 0b = Input buffer enabled 1b = Input buffer disabled
6	CBPD6	RW	0h	Port disable. This bit individually disables the input buffer for the pins of the port associated with Comp_B. The bit CBPD6 disables the port of the comparator channel 6. 0b = Input buffer enabled 1b = Input buffer disabled
5	CBPD5	RW	0h	Port disable. This bit individually disables the input buffer for the pins of the port associated with Comp_B. The bit CBPD5 disables the port of the comparator channel 5. 0b = Input buffer enabled 1b = Input buffer disabled
4	CBPD4	RW	0h	Port disable. This bit individually disables the input buffer for the pins of the port associated with Comp_B. The bit CBPD4 disables the port of the comparator channel 4. 0b = Input buffer enabled 1b = Input buffer disabled
3	CBPD3	RW	0h	Port disable. This bit individually disables the input buffer for the pins of the port associated with Comp_B. The bit CBPD3 disables the port of the comparator channel 3. 0b = Input buffer enabled 1b = Input buffer disabled
2	CBPD2	RW	0h	Port disable. This bit individually disables the input buffer for the pins of the port associated with Comp_B. The bit CBPD2 disables the port of the comparator channel 2. 0b = Input buffer enabled 1b = Input buffer disabled
1	CBPD1	RW	0h	Port disable. This bit individually disables the input buffer for the pins of the port associated with Comp_B. The bit CBPD1 disables the port of the comparator channel 1. 0b = Input buffer enabled 1b = Input buffer disabled
0	CBPD0	RW	0h	Port disable. This bit individually disables the input buffer for the pins of the port associated with Comp_B. The bit CBPD0 disables the port of the comparator channel 0. 0b = Input buffer enabled 1b = Input buffer disabled

18.3.5 CBINT Register

Comp_B Interrupt Control Register

Figure 18-12. CBINT Register

15	14	13	12	11	10	9	8
Reserved						CBIIE	CBIE
r-0	r-0	r-0	r-0	r-0	r-0	rw-0	rw-0
7	6	5	4	3	2	1	0
Reserved						CBIIFG	CBIFG
r-0	r-0	r-0	r-0	r-0	r-0	rw-0	rw-0

Table 18-6. CBINT Register Description

Bit	Field	Type	Reset	Description
15-10	Reserved	R	0h	Reserved. Always reads as 0.
9	CBIIE	RW	0h	Comp_B output interrupt enable inverted polarity 0b = Interrupt is disabled 1b = Interrupt is enabled
8	CBIE	RW	0h	Comp_B output interrupt enable 0b = Interrupt is disabled 1b = Interrupt is enabled
7-2	Reserved	R	0h	Reserved. Always reads as 0.
1	CBIIFG	RW	0h	Comp_B output inverted interrupt flag. The bit CBIES defines the transition of the output setting this bit. 0b = No interrupt pending 1b = Output interrupt pending
0	CBIFG	RW	0h	Comp_B output interrupt flag. The bit CBIES defines the transition of the output setting this bit. 0b = No interrupt pending 1b = Output interrupt pending

18.3.6 CBIV Register

Comp_B Interrupt Vector Word Register

Figure 18-13. CBIV Register

15	14	13	12	11	10	9	8
CBIV							
r0	r0	r0	r0	r0	r0	r0	r0
7	6	5	4	3	2	1	0
CBIV							
r0	r0	r0	r0	r0	r-0	r-0	r0

Table 18-7. CBIV Register Description

Bit	Field	Type	Reset	Description
15-0	CBIV	R	0h	<p>Comp_B interrupt vector word register. The interrupt vector register reflects only interrupt flags whose interrupt enable bit are set. Reading the CBIV register clears the pending interrupt flag with the highest priority.</p> <p>00h = No interrupt pending</p> <p>02h = Interrupt Source: CBOUT interrupt; Interrupt Flag: CBIFG; Interrupt Priority: Highest</p> <p>04h = Interrupt Source: CBOUT interrupt inverted polarity; Interrupt Flag: CBIIFG; Interrupt Priority: Lowest</p>

Universal Serial Communication Interface – UART Mode

The universal serial communication interface (USCI) supports multiple serial communication modes with one hardware module. This chapter discusses the operation of the asynchronous UART mode.

Topic	Page
19.1 Universal Serial Communication Interface (USCI) Overview	522
19.2 USCI Introduction – UART Mode	523
19.3 USCI Operation – UART Mode	525
19.4 USCI_A UART Mode Registers	541

19.1 Universal Serial Communication Interface (USCI) Overview

The USCI modules support multiple serial communication modes. Different USCI modules support different modes. Each different USCI module is named with a different letter. For example, USCI_A is different from USCI_B, etc. If more than one identical USCI module is implemented on one device, those modules are named with incrementing numbers. For example, if one device has two USCI_A modules, they are named USCI_A0 and USCI_A1. See the device-specific data sheet to determine which USCI modules, if any, are implemented on which devices.

USCI_Ax modules support:

- UART mode
- Pulse shaping for IrDA communications
- Automatic baud-rate detection for LIN communications
- SPI mode

USCI_Bx modules support:

- I²C mode
- SPI mode

19.2 USCI Introduction – UART Mode

In asynchronous mode, the USCI_Ax modules connect the device to an external system via two external pins, UCxRXD and UCxTXD. UART mode is selected when the UCSYNC bit is cleared.

UART mode features include:

- 7- or 8-bit data with odd, even, or non-parity
- Independent transmit and receive shift registers
- Separate transmit and receive buffer registers
- LSB-first or MSB-first data transmit and receive
- Built-in idle-line and address-bit communication protocols for multiprocessor systems
- Receiver start-edge detection for auto wake up from LPMx modes
- Programmable baud rate with modulation for fractional baud-rate support
- Status flags for error detection and suppression
- Status flags for address detection
- Independent interrupt capability for receive and transmit

Figure 19-1 shows the USCI_Ax when configured for UART mode.

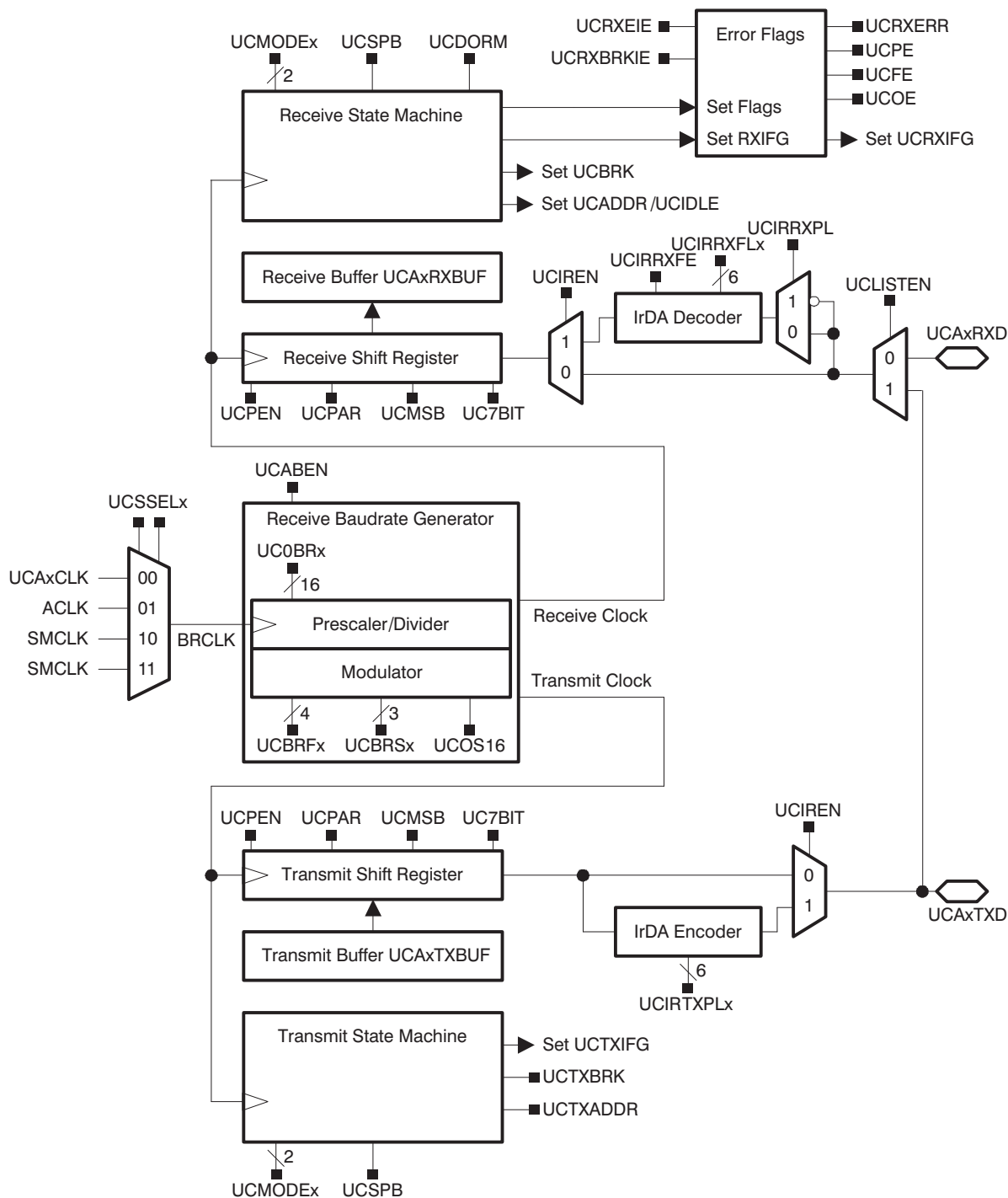


Figure 19-1. USCI_Ax Block Diagram – UART Mode (UCSYNC = 0)

19.3 USCI Operation – UART Mode

In UART mode, the USCI transmits and receives characters at a bit rate asynchronous to another device. Timing for each character is based on the selected baud rate of the USCI. The transmit and receive functions use the same baud-rate frequency.

19.3.1 USCI Initialization and Reset

The USCI is reset by a PUC or by setting the UCSWRST bit. After a PUC, the UCSWRST bit is automatically set, keeping the USCI in a reset condition. When set, the UCSWRST bit resets the UCRXIE, UCTXIE, UCRXIFG, UCRXERR, UCBRK, UCPE, UCOE, UCFE, UCSTOE, and UCBTOE bits, and sets the UCTXIFG bit. Clearing UCSWRST releases the USCI for operation.

To avoid unpredictable behavior, configure or reconfigure the USCI_A module only when UCSWRST is set.

NOTE: Initializing or reconfiguring the USCI module

The recommended USCI initialization/reconfiguration process is:

1. Set UCSWRST (BIS.B
#UCSWRST, &UCAxCTL1).
2. Initialize all USCI registers with UCSWRST = 1 (including UCAxCTL1).
3. Configure ports.
4. Clear UCSWRST via software (BIC.B
#UCSWRST, &UCAxCTL1).
5. Enable interrupts (optional) via UCRXIE and/or UCTXIE.

19.3.2 Character Format

The UART character format (see Figure 19-2) consists of a start bit, seven or eight data bits, an even/odd/no parity bit, an address bit (address-bit mode), and one or two stop bits. The UCMSB bit controls the direction of the transfer and selects LSB or MSB first. LSB first is typically required for UART communication.

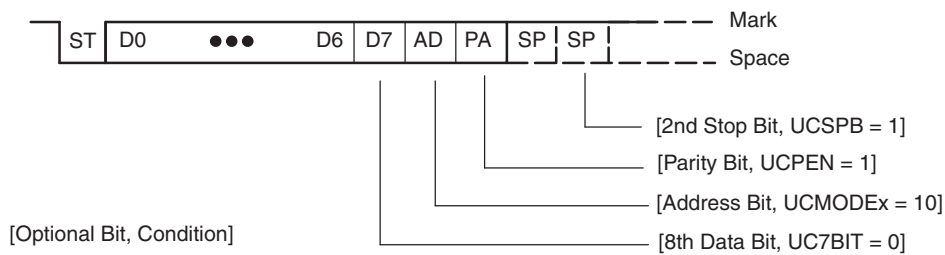


Figure 19-2. Character Format

19.3.3 Asynchronous Communication Format

When two devices communicate asynchronously, no multiprocessor format is required for the protocol. When three or more devices communicate, the USCI supports the idle-line and address-bit multiprocessor communication formats.

19.3.3.1 Idle-Line Multiprocessor Format

When UCMODEx = 01, the idle-line multiprocessor format is selected. Blocks of data are separated by an idle time on the transmit or receive lines (see Figure 19-3). An idle receive line is detected when ten or more continuous ones (marks) are received after the one or two stop bits of a character. The baud-rate generator is switched off after reception of an idle line until the next start edge is detected. When an idle line is detected, the UCIDLE bit is set.

The first character received after an idle period is an address character. The UCIDLE bit is used as an address tag for each block of characters. In idle-line multiprocessor format, this bit is set when a received character is an address.

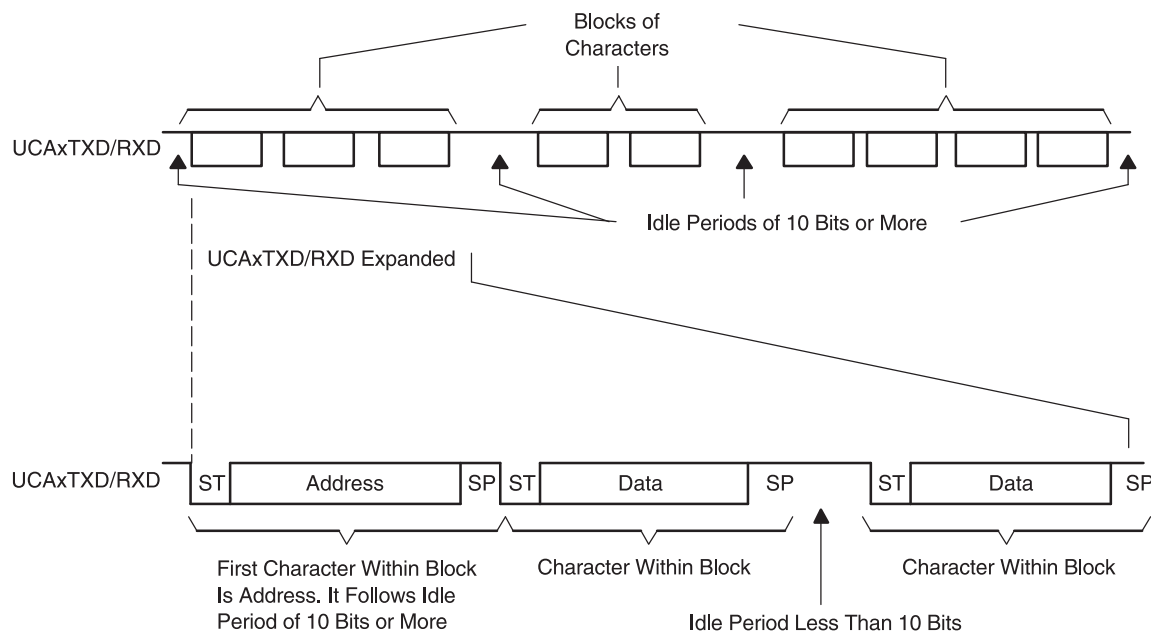


Figure 19-3. Idle-Line Format

The UCDORM bit is used to control data reception in the idle-line multiprocessor format. When UCDORM = 1, all non-address characters are assembled but not transferred into the UCAxRXBUF, and interrupts are not generated. When an address character is received, the character is transferred into UCAxRXBUF, UCRXIFG is set, and any applicable error flag is set when UCRXEIE = 1. When UCRXEIE = 0 and an address character is received but has a framing error or parity error, the character is not transferred into UCAxRXBUF and UCRXIFG is not set.

If an address is received, user software can validate the address and must reset UCDORM to continue receiving data. If UCDORM remains set, only address characters are received. When UCDORM is cleared during the reception of a character, the receive interrupt flag is set after the reception completed. The UCDORM bit is not modified by the USCI hardware automatically.

For address transmission in idle-line multiprocessor format, a precise idle period can be generated by the USCI to generate address character identifiers on UCAxTXD. The double-buffered UCTXADDR flag indicates if the next character loaded into UCAxTXBUF is preceded by an idle line of 11 bits. UCTXADDR is automatically cleared when the start bit is generated.

Transmitting an Idle Frame

The following procedure sends out an idle frame to indicate an address character followed by associated data:

1. Set UCTXADDR, then write the address character to UCAxTXBUF. UCAxTXBUF must be ready for new data (UCTXIFG = 1).
This generates an idle period of exactly 11 bits followed by the address character. UCTXADDR is reset automatically when the address character is transferred from UCAxTXBUF into the shift register.
2. Write desired data characters to UCAxTXBUF. UCAxTXBUF must be ready for new data (UCTXIFG = 1).

The data written to UCAxTXBUF is transferred to the shift register and transmitted as soon as the shift register is ready for new data.

The idle-line time must not be exceeded between address and data transmission or between data transmissions. Otherwise, the transmitted data is misinterpreted as an address.

19.3.3.2 Address-Bit Multiprocessor Format

When UCMODEx = 10, the address-bit multiprocessor format is selected. Each processed character contains an extra bit used as an address indicator (see Figure 19-4). The first character in a block of characters carries a set address bit that indicates that the character is an address. The USCI UCADDR bit is set when a received character has its address bit set and is transferred to UCAXRXBUF.

The UCDORM bit is used to control data reception in the address-bit multiprocessor format. When UCDORM is set, data characters with address bit = 0 are assembled by the receiver but are not transferred to UCAXRXBUF and no interrupts are generated. When a character containing a set address bit is received, the character is transferred into UCAXRXBUF, UCRXIFG is set, and any applicable error flag is set when UCRXEIE = 1. When UCRXEIE = 0 and a character containing a set address bit is received but has a framing error or parity error, the character is not transferred into UCAXRXBUF and UCRXIFG is not set.

If an address is received, user software can validate the address and must reset UCDORM to continue receiving data. If UCDORM remains set, only address characters with address bit = 1 are received. The UCDORM bit is not modified by the USCI hardware automatically.

When UCDORM = 0, all received characters set the receive interrupt flag UCRXIFG. If UCDORM is cleared during the reception of a character, the receive interrupt flag is set after the reception is completed.

For address transmission in address-bit multiprocessor mode, the address bit of a character is controlled by the UCTXADDR bit. The value of the UCTXADDR bit is loaded into the address bit of the character transferred from UCAXTXBUF to the transmit shift register. UCTXADDR is automatically cleared when the start bit is generated.

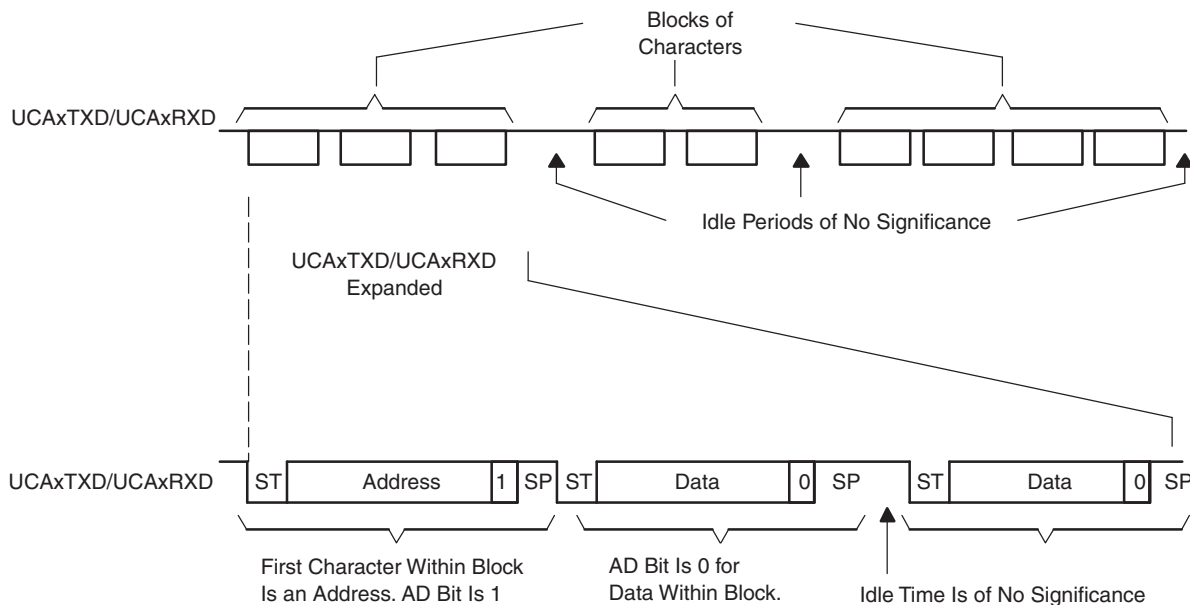


Figure 19-4. Address-Bit Multiprocessor Format

Break Reception and Generation

When UCMODEx = 00, 01, or 10, the receiver detects a break when all data, parity, and stop bits are low, regardless of the parity, address mode, or other character settings. When a break is detected, the UCBRK bit is set. If the break interrupt enable bit (UCBRKIE) is set, the receive interrupt flag UCRXIFG is also set. In this case, the value in UCAXRXBUF is 0h, because all data bits were zero.

To transmit a break, set the UCTXBRK bit, then write 0h to UCAXTXBUF. UCAXTXBUF must be ready for new data (UCTXIFG = 1). This generates a break with all bits low. UCTXBRK is automatically cleared when the start bit is generated.

19.3.4 Automatic Baud-Rate Detection

When UCMODEx = 11, UART mode with automatic baud-rate detection is selected. For automatic baud-rate detection, a data frame is preceded by a synchronization sequence that consists of a break and a synch field. A break is detected when 11 or more continuous zeros (spaces) are received. If the length of the break exceeds 21 bit times the break timeout error flag UCBT OE is set. The USCI can not transmit data while receiving the break/synch field. The synch field follows the break as shown in Figure 19-5.

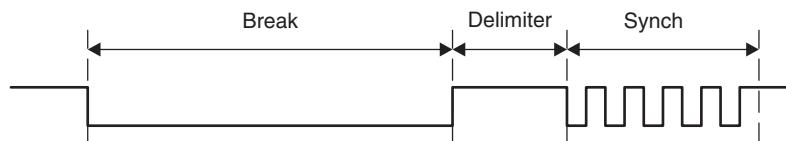


Figure 19-5. Auto Baud-Rate Detection – Break/Synch Sequence

For LIN conformance, the character format should be set to eight data bits, LSB first, no parity, and one stop bit. No address bit is available.

The synch field consists of the data 055h inside a byte field (see Figure 19-6). The synchronization is based on the time measurement between the first falling edge and the last falling edge of the pattern. The transmit baud-rate generator is used for the measurement if automatic baud-rate detection is enabled by setting UCABDEN. Otherwise, the pattern is received but not measured. The result of the measurement is transferred into the baud-rate control registers (UCAxBR0, UCAxBR1, and UCAxMCTL). If the length of the synch field exceeds the measurable time, the synch timeout error flag UCSTOE is set.

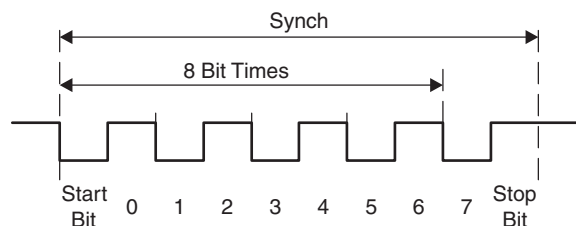


Figure 19-6. Auto Baud-Rate Detection – Synch Field

The UCDORM bit is used to control data reception in this mode. When UCDORM is set, all characters are received but not transferred into the UCAxRXBUF, and interrupts are not generated. When a break/synch field is detected, the UCBRK flag is set. The character following the break/synch field is transferred into UCAxRXBUF and the UCRXIFG interrupt flag is set. Any applicable error flag is also set. If the UCBRKIE bit is set, reception of the break/synch sets the UCRXIFG. The UCBRK bit is reset by user software or by reading the receive buffer UCAxRXBUF.

When a break/synch field is received, user software must reset UCDORM to continue receiving data. If UCDORM remains set, only the character after the next reception of a break/synch field is received. The UCDORM bit is not modified by the USCI hardware automatically.

When UCDORM = 0, all received characters set the receive interrupt flag UCRXIFG. If UCDORM is cleared during the reception of a character, the receive interrupt flag is set after the reception is complete.

The counter used to detect the baud rate is limited to 07FFFh (32767) counts. This means the minimum baud rate detectable is 488 baud in oversampling mode and 30 baud in low-frequency mode.

The automatic baud-rate detection mode can be used in a full-duplex communication system with some restrictions. The USCI can not transmit data while receiving the break/synch field and, if a 0h byte with framing error is received, any data transmitted during this time gets corrupted. The latter case can be discovered by checking the received data and the UCFE bit.

19.3.4.1 Transmitting a Break/Synch Field

The following procedure transmits a break/synch field:

1. Set UCTXBRK with UMODEx = 11.
2. Write 055h to UCAXTXBUF. UCAXTXBUF must be ready for new data (UCTXIFG = 1).
This generates a break field of 13 bits followed by a break delimiter and the synch character. The length of the break delimiter is controlled with the UCDELIMx bits. UCTXBRK is reset automatically when the synch character is transferred from UCAXTXBUF into the shift register.
3. Write desired data characters to UCAXTXBUF. UCAXTXBUF must be ready for new data (UCTXIFG = 1).
The data written to UCAXTXBUF is transferred to the shift register and transmitted as soon as the shift register is ready for new data.

19.3.5 IrDA Encoding and Decoding

When UCIREN is set, the IrDA encoder and decoder are enabled and provide hardware bit shaping for IrDA communication.

19.3.5.1 IrDA Encoding

The encoder sends a pulse for every zero bit in the transmit bit stream coming from the UART (see Figure 19-7). The pulse duration is defined by UCIRTXPLx bits specifying the number of one-half clock periods of the clock selected by UCIRTXCLK.

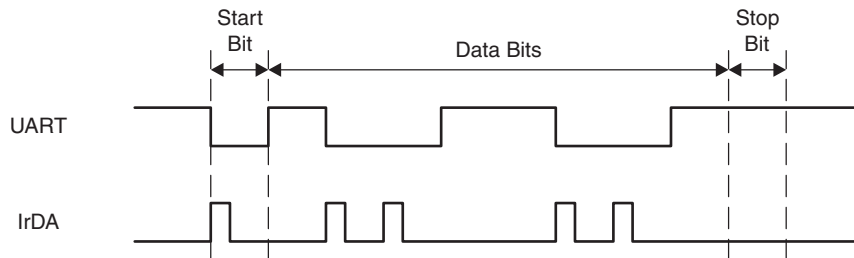


Figure 19-7. UART vs IrDA Data Format

To set the pulse time of 3/16 bit period required by the IrDA standard, the BITCLK16 clock is selected with UCIRTXCLK = 1, and the pulse length is set to six one-half clock cycles with UCIRTXPLx = 6 – 1 = 5.

When UCIRTXCLK = 0, the pulse length t_{PULSE} is based on BRCLK and is calculated as:

$$UCIRTXPLx = t_{PULSE} \times 2 \times f_{BRCLK} - 1$$

When UCIRTXCLK = 0, the prescaler UCBRx must to be set to a value greater or equal to 5.

19.3.5.2 IrDA Decoding

The decoder detects high pulses when UCIRRXP = 0. Otherwise, it detects low pulses. In addition to the analog deglitch filter, an additional programmable digital filter stage can be enabled by setting UCIRRXFE. When UCIRRXFE is set, only pulses longer than the programmed filter length are passed. Shorter pulses are discarded. The equation to program the filter length UCIRRXFLx is:

$$UCIRRXFLx = (t_{PULSE} - t_{WAKE}) \times 2 \times f_{BRCLK} - 4$$

Where:

t_{PULSE} = Minimum receive pulse width

t_{WAKE} = Wake time from any low-power mode. Zero when the device is in active mode.

19.3.6 Automatic Error Detection

Glitch suppression prevents the USCI from being accidentally started. Any pulse on UCAXRXD shorter than the deglitch time t_d (approximately 150 ns) is ignored (see the device-specific data sheet for parameters).

When a low period on UCAXRXD exceeds t_d , a majority vote is taken for the start bit. If the majority vote fails to detect a valid start bit, the USCI halts character reception and waits for the next low period on UCAXRXD. The majority vote is also used for each bit in a character to prevent bit errors.

The USCI module automatically detects framing errors, parity errors, overrun errors, and break conditions when receiving characters. The bits UCFE, UCPE, UCOE, and UCBRK are set when their respective condition is detected. When the error flags UCFE, UCPE, or UCOE are set, UCRXERR is also set. The error conditions are described in [Table 19-1](#).

Table 19-1. Receive Error Conditions

Error Condition	Error Flag	Description
Framing error	UCFE	A framing error occurs when a low stop bit is detected. When two stop bits are used, both stop bits are checked for framing error. When a framing error is detected, the UCFE bit is set.
Parity error	UCPE	A parity error is a mismatch between the number of 1s in a character and the value of the parity bit. When an address bit is included in the character, it is included in the parity calculation. When a parity error is detected, the UCPE bit is set.
Receive overrun	UCOE	An overrun error occurs when a character is loaded into UCAXRXBUF before the prior character has been read. When an overrun occurs, the UCOE bit is set.
Break condition	UCBRK	When not using automatic baud-rate detection, a break is detected when all data, parity, and stop bits are low. When a break condition is detected, the UCBRK bit is set. A break condition can also set the interrupt flag UCRXIFG if the break interrupt enable UCBRKIE bit is set.

When UCRXEIE = 0 and a framing error or parity error is detected, no character is received into UCAXRXBUF. When UCRXEIE = 1, characters are received into UCAXRXBUF and any applicable error bit is set.

When any of the UCFE, UCPE, UCOE, UCBRK, or UCRXERR bit is set, the bit remains set until user software resets it or UCAXRXBUF is read. UCOE must be reset by reading UCAXRXBUF. Otherwise, it does not function properly. To detect overflows reliably the following flow is recommended. After a character was received and UCRXIFG is set, first read UCAXSTAT to check the error flags including the overflow flag UCOE. Read UCAXRXBUF next. This clears all error flags except UCOE, if UCAXRXBUF was overwritten between the read access to UCAXSTAT and to UCAXRXBUF. Therefore, the UCOE flag should be checked after reading UCAXRXBUF to detect this condition. Note that, in this case, the UCRXERR flag is not set.

19.3.7 USCI Receive Enable

The USCI module is enabled by clearing the UCSWRST bit and the receiver is ready and in an idle state. The receive baud rate generator is in a ready state but is not clocked nor producing any clocks.

The falling edge of the start bit enables the baud rate generator and the UART state machine checks for a valid start bit. If no valid start bit is detected the UART state machine returns to its idle state and the baud rate generator is turned off again. If a valid start bit is detected, a character is received.

When the idle-line multiprocessor mode is selected with UCMODEx = 01 the UART state machine checks for an idle line after receiving a character. If a start bit is detected another character is received. Otherwise the UCIDLE flag is set after 10 ones are received and the UART state machine returns to its idle state and the baud rate generator is turned off.

19.3.7.1 Receive Data Glitch Suppression

Glitch suppression prevents the USCI from being accidentally started. Any glitch on UCAXRXD shorter than the deglitch time t_d (approximately 150 ns) is ignored by the USCI, and further action is initiated as shown in Figure 19-8 (see the device-specific data sheet for parameters).

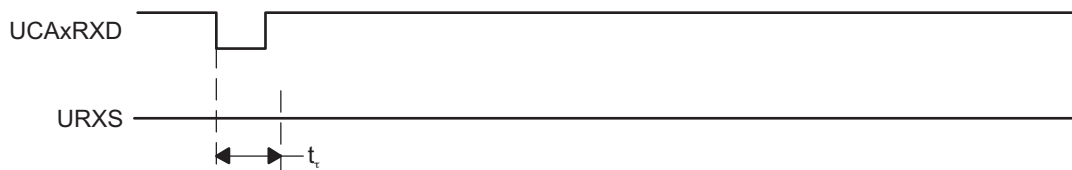


Figure 19-8. Glitch Suppression, USCI Receive Not Started

When a glitch is longer than t_d or a valid start bit occurs on UCAXRXD, the USCI receive operation is started and a majority vote is taken (see Figure 19-9). If the majority vote fails to detect a start bit, the USCI halts character reception.

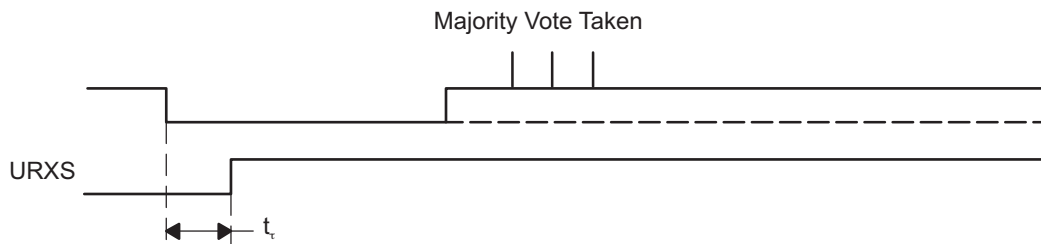


Figure 19-9. Glitch Suppression, USCI Activated

19.3.8 USCI Transmit Enable

The USCI module is enabled by clearing the UCSWRST bit and the transmitter is ready and in an idle state. The transmit baud-rate generator is ready but is not clocked nor producing any clocks.

A transmission is initiated by writing data to UCAXTXBUF. When this occurs, the baud-rate generator is enabled, and the data in UCAXTXBUF is moved to the transmit shift register on the next BITCLK after the transmit shift register is empty. UCTXIFG is set when new data can be written into UCAXTXBUF.

Transmission continues as long as new data is available in UCAXTXBUF at the end of the previous byte transmission. If new data is not in UCAXTXBUF when the previous byte has transmitted, the transmitter returns to its idle state and the baud-rate generator is turned off.

19.3.9 UART Baud-Rate Generation

The USCI baud-rate generator is capable of producing standard baud rates from nonstandard source frequencies. It provides two modes of operation selected by the UCOS16 bit. The baud-rate is generated using the BRCLK that can be sourced by the external clock UCAxCLK, or the internal clocks ACLK or SMCLK depending on the UCSSELx settings.

19.3.9.1 Low-Frequency Baud-Rate Generation

The low-frequency mode is selected when UCOS16 = 0. This mode allows generation of baud rates from low frequency clock sources (for example, 9600 baud from a 32768-Hz crystal). By using a lower input frequency, the power consumption of the module is reduced. Using this mode with higher frequencies and higher prescaler settings causes the majority votes to be taken in an increasingly smaller window and, thus, decrease the benefit of the majority vote.

In low-frequency mode, the baud-rate generator uses one prescaler and one modulator to generate bit clock timing. This combination supports fractional divisors for baud-rate generation. In this mode, the maximum USCI baud rate is one-third the UART source clock frequency BRCLK.

Timing for each bit is shown in Figure 19-10. For each bit received, a majority vote is taken to determine the bit value. These samples occur at the $N/2 - 1/2$, $N/2$, and $N/2 + 1/2$ BRCLK periods, where N is the number of BRCLKs per BITCLK.

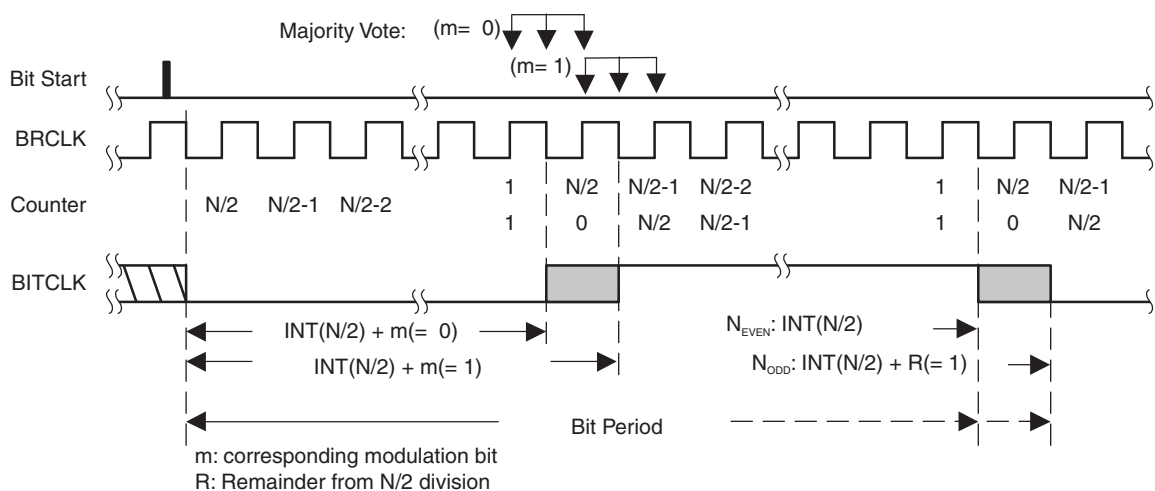


Figure 19-10. BITCLK Baud-Rate Timing With UCOS16 = 0

Modulation is based on the UCBRSx setting (see Table 19-2). A 1 in the table indicates that $m = 1$ and the corresponding BITCLK period is one BRCLK period longer than a BITCLK period with $m = 0$. The modulation wraps around after eight bits but restarts with each new start bit.

Table 19-2. BITCLK Modulation Pattern

UCBRSx	Bit 0 (Start Bit)	Bit 1	Bit 2	Bit 3	Bit 4	Bit 5	Bit 6	Bit 7
0	0	0	0	0	0	0	0	0
1	0	1	0	0	0	0	0	0
2	0	1	0	0	0	1	0	0
3	0	1	0	1	0	1	0	0
4	0	1	0	1	0	1	0	1
5	0	1	1	1	0	1	0	1
6	0	1	1	1	0	1	1	1
7	0	1	1	1	1	1	1	1

19.3.9.2 Oversampling Baud-Rate Generation

The oversampling mode is selected when UCOS16 = 1. This mode supports sampling a UART bit stream with higher input clock frequencies. This results in majority votes that are always 1/16 of a bit clock period apart. This mode also easily supports IrDA pulses with a 3/16 bit time when the IrDA encoder and decoder are enabled.

This mode uses one prescaler and one modulator to generate the BITCLK16 clock that is 16 times faster than the BITCLK. An additional divider and modulator stage generates BITCLK from BITCLK16. This combination supports fractional divisions of both BITCLK16 and BITCLK for baud-rate generation. In this mode, the maximum USCI baud rate is 1/16 the UART source clock frequency BRCLK. When UCBRx is set to 0 or 1, the first prescaler and modulator stage is bypassed and BRCLK is equal to BITCLK16 – in this case, no modulation for the BITCLK16 is possible and, thus, the UCBRFx bits are ignored.

Modulation for BITCLK16 is based on the UCBRFx setting (see [Table 19-3](#)). A 1 in the table indicates that the corresponding BITCLK16 period is one BRCLK period longer than the periods m = 0. The modulation restarts with each new bit timing.

Modulation for BITCLK is based on the UCBRSx setting (see [Table 19-2](#)) as previously described.

Table 19-3. BITCLK16 Modulation Pattern

UCBRFx	No. of BITCLK16 Clocks After Last Falling BITCLK Edge															
	0	1	2	3	4	5	6	7	8	9	10	11	12	13	14	15
00h	0	0	0	0	0	0	0	0	0	0	0	0	0	0	0	0
01h	0	1	0	0	0	0	0	0	0	0	0	0	0	0	0	0
02h	0	1	0	0	0	0	0	0	0	0	0	0	0	0	0	1
03h	0	1	1	0	0	0	0	0	0	0	0	0	0	0	0	1
04h	0	1	1	0	0	0	0	0	0	0	0	0	0	0	1	1
05h	0	1	1	1	0	0	0	0	0	0	0	0	0	0	1	1
06h	0	1	1	1	0	0	0	0	0	0	0	0	0	1	1	1
07h	0	1	1	1	1	0	0	0	0	0	0	0	0	1	1	1
08h	0	1	1	1	1	0	0	0	0	0	0	0	1	1	1	1
09h	0	1	1	1	1	1	0	0	0	0	0	0	1	1	1	1
0Ah	0	1	1	1	1	1	0	0	0	0	0	1	1	1	1	1
0Bh	0	1	1	1	1	1	1	0	0	0	0	1	1	1	1	1
0Ch	0	1	1	1	1	1	1	0	0	0	1	1	1	1	1	1
0Dh	0	1	1	1	1	1	1	1	0	0	1	1	1	1	1	1
0Eh	0	1	1	1	1	1	1	1	0	1	1	1	1	1	1	1
0Fh	0	1	1	1	1	1	1	1	1	1	1	1	1	1	1	1

19.3.10 Setting a Baud Rate

For a given BRCLK clock source, the baud rate used determines the required division factor N:

$$N = f_{\text{BRCLK}} / \text{Baudrate}$$

The division factor N is often a noninteger value, thus, at least one divider and one modulator stage is used to meet the factor as closely as possible.

If N is equal or greater than 16, the oversampling baud-rate generation mode can be chosen by setting UCOS16.

19.3.10.1 Low-Frequency Baud-Rate Mode Setting

In low-frequency mode, the integer portion of the divisor is realized by the prescaler:

$$\text{UCBRx} = \text{INT}(N)$$

and the fractional portion is realized by the modulator with the following nominal formula:

$$\text{UCBRsX} = \text{round}[(N - \text{INT}(N)) \times 8]$$

Incrementing or decrementing the UCBRSx setting by one count may give a lower maximum bit error for any given bit. To determine if this is the case, a detailed error calculation must be performed for each bit for each UCBRSx setting.

19.3.10.2 Oversampling Baud-Rate Mode Setting

In the oversampling mode, the prescaler is set to:

$$\text{UCBRx} = \text{INT}(N/16)$$

and the first stage modulator is set to:

$$\text{UCBRFx} = \text{round}[(N/16 - \text{INT}(N/16)) \times 16]$$

When greater accuracy is required, the UCBRSx modulator can also be implemented with values from 0 to 7. To find the setting that gives the lowest maximum bit error rate for any given bit, a detailed error calculation must be performed for all settings of UCBRSx from 0 to 7 with the initial UCBRFx setting, and with the UCBRFx setting incremented and decremented by one.

19.3.11 Transmit Bit Timing

The timing for each character is the sum of the individual bit timings. Using the modulation features of the baud-rate generator reduces the cumulative bit error. The individual bit error can be calculated using the following steps.

19.3.11.1 Low-Frequency Baud-Rate Mode Bit Timing

In low-frequency mode, calculate the length of bit i $T_{\text{bit,TX}}[i]$ based on the UCBRx and UCBRSx settings:

$$T_{\text{bit,TX}}[i] = (1/f_{\text{BRCLK}})(\text{UCBRx} + m_{\text{UCBRSx}}[i])$$

Where:

$$m_{\text{UCBRSx}}[i] = \text{Modulation of bit } i \text{ from Table 19-2}$$

19.3.11.2 Oversampling Baud-Rate Mode Bit Timing

In oversampling baud-rate mode, calculate the length of bit i $T_{\text{bit,TX}}[i]$ based on the baud-rate generator UCBRx, UCBRFx and UCBRSx settings:

$$T_{\text{bit,TX}}[i] = \frac{1}{f_{\text{BRCLK}}} \left((16 + m_{\text{UCBRSx}}[i]) \times \text{UCBRx} + \sum_{j=0}^{15} m_{\text{UCBRFx}}[j] \right)$$

Where:

$$\sum_{j=0}^{15} m_{\text{UCBRFx}}[j] = \text{Sum of ones from the corresponding row in Table 19-3}$$

$$m_{\text{UCBRSx}}[i] = \text{Modulation of bit } i \text{ from Table 19-2}$$

This results in an end-of-bit time $t_{\text{bit,TX}[i]}$ equal to the sum of all previous and the current bit times:

$$T_{\text{bit,TX}[i]} = \sum_{j=0}^i T_{\text{bit,TX}[j]}$$

To calculate bit error, this time is compared to the ideal bit time $t_{\text{bit,ideal,TX}[i]}$:

$$t_{\text{bit,ideal,TX}[i]} = (1/\text{Baudrate})(i + 1)$$

This results in an error normalized to one ideal bit time (1/baudrate):

$$\text{Error}_{\text{TX}[i]} = (t_{\text{bit,TX}[i]} - t_{\text{bit,ideal,TX}[i]}) \times \text{Baudrate} \times 100\%$$

19.3.12 Receive Bit Timing

Receive timing error consists of two error sources. The first is the bit-to-bit timing error similar to the transmit bit timing error. The second is the error between a start edge occurring and the start edge being accepted by the USCI module. Figure 19-11 shows the asynchronous timing errors between data on the UCAXRXD pin and the internal baud-rate clock. This results in an additional synchronization error. The synchronization error t_{SYNC} is between -0.5 BRCLKs and $+0.5$ RCLKs, independent of the selected baud-rate generation mode.

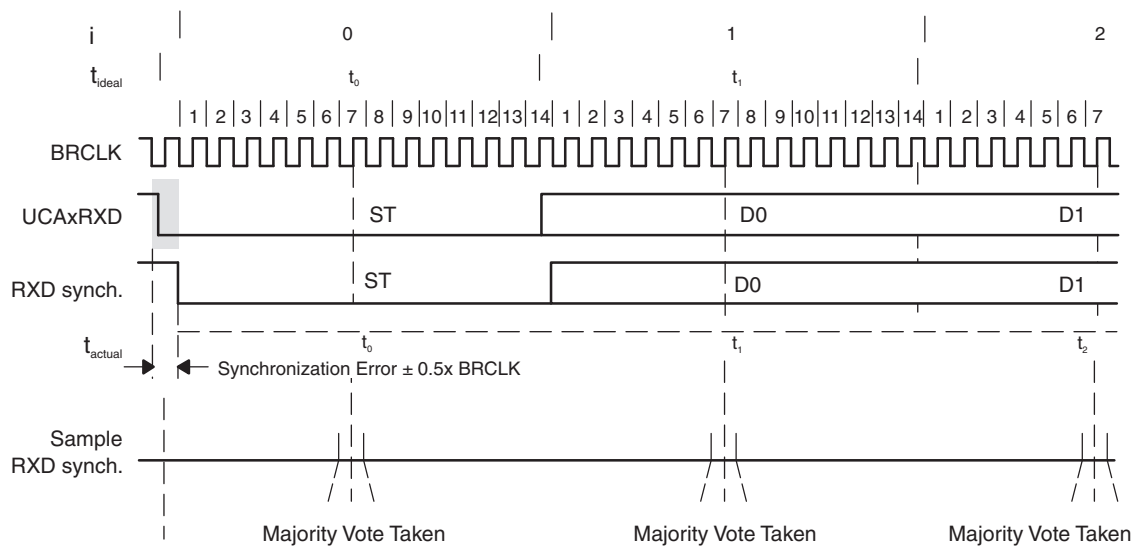


Figure 19-11. Receive Error

The ideal sampling time $t_{\text{bit,ideal,RX}[i]}$ is in the middle of a bit period:

$$t_{\text{bit,ideal,RX}[i]} = (1/\text{Baudrate})(i + 0.5)$$

The real sampling time, $t_{\text{bit,RX}[i]}$, is equal to the sum of all previous bits according to the formulas shown in the transmit timing section, plus one-half BITCLK for the current bit i , plus the synchronization error t_{SYNC} .

This results in the following $t_{\text{bit,RX}[i]}$ for the low-frequency baud-rate mode:

$$t_{\text{bit,RX}[i]} = t_{\text{SYNC}} + \sum_{j=0}^{i-1} T_{\text{bit,RX}[j]} + \frac{1}{f_{\text{BRCLK}}} \left(\text{INT}(\frac{1}{2} \text{UCBRx}) + m_{\text{UCBRsx}[i]} \right)$$

Where:

$$T_{\text{bit,RX}[i]} = (1/f_{\text{BRCLK}})(\text{UCBRx} + m_{\text{UCBRsx}[i]})$$

$$m_{\text{UCBRsx}[i]} = \text{Modulation of bit } i \text{ from Table 19-2}$$

For the oversampling baud-rate mode, the sampling time $t_{\text{bit,RX}}[i]$ of bit i is calculated by:

$$t_{\text{bit,RX}}[i] = t_{\text{SYNC}} + \sum_{j=0}^{i-1} T_{\text{bit,RX}}[j] + \frac{1}{f_{\text{BRCLK}}} \left((8 + m_{\text{UCBRx}}[i]) \times \text{UCBRx} + \sum_{j=0}^{7+m_{\text{UCBRs}}[i]} m_{\text{UCBRFx}}[j] \right)$$

Where:

$$T_{\text{bit,RX}}[i] = \frac{1}{f_{\text{BRCLK}}} \left((16 + m_{\text{UCBRs}}[i]) \times \text{UCBRx} + \sum_{j=0}^{15} m_{\text{UCBRFx}}[j] \right)$$

$\sum_{j=0}^{7+m_{\text{UCBRs}}[i]} m_{\text{UCBRFx}}[j]$ = Sum of ones from columns 0 to $(7 + m_{\text{UCBRs}}[i])$ from the corresponding row in [Table 19-3](#).

$m_{\text{UCBRs}}[i]$ = Modulation of bit i from [Table 19-2](#)

This results in an error normalized to one ideal bit time (1/baudrate) according to the following formula:

$$\text{Error}_{\text{RX}}[i] = (t_{\text{bit,RX}}[i] - t_{\text{bit,ideal,RX}}[i]) \times \text{Baudrate} \times 100\%$$

19.3.13 Typical Baud Rates and Errors

Standard baud-rate data for UCBRx, UCBRs, and UCBRFx are listed in [Table 19-4](#) and [Table 19-5](#) for a 32,768-Hz crystal sourcing ACLK and typical SMCLK frequencies. Please ensure that the selected BRCLK frequency does not exceed the device specific maximum USCI input frequency (see the device-specific data sheet).

The receive error is the accumulated time versus the ideal scanning time in the middle of each bit. The worst-case error is given for the reception of an 8-bit character with parity and one stop bit including synchronization error.

The transmit error is the accumulated timing error versus the ideal time of the bit period. The worst-case error is given for the transmission of an 8-bit character with parity and stop bit.

Table 19-4. Commonly Used Baud Rates, Settings, and Errors, UCOS16 = 0

BRCLK Frequency (Hz)	Baud Rate (baud)	UCBRx	UCBRs	UCBRFx	Maximum TX Error (%)	Maximum RX Error (%)
32,768	1200	27	2	0	-2.8	1.4
32,768	2400	13	6	0	-4.8	6.0
32,768	4800	6	7	0	-12.1	5.7
32,768	9600	3	3	0	-21.1	15.2
1,000,000	9600	104	1	0	-0.5	0.6
1,000,000	19200	52	0	0	-1.8	0
1,000,000	38400	26	0	0	-1.8	0
1,000,000	57600	17	3	0	-2.1	4.8
1,000,000	115200	8	6	0	-7.8	6.4
1,048,576	9600	109	2	0	-0.2	0.7
1,048,576	19200	54	5	0	-1.1	1.0
1,048,576	38400	27	2	0	-2.8	1.4
1,048,576	57600	18	1	0	-4.6	3.3
1,048,576	115200	9	1	0	-1.1	10.7
4,000,000	9600	416	6	0	-0.2	0.2
4,000,000	19200	208	3	0	-0.2	0.5
4,000,000	38400	104	1	0	-0.5	0.6
4,000,000	57600	69	4	0	-0.6	0.8
4,000,000	115200	34	6	0	-2.1	0.6
4,000,000	230400	17	3	0	-2.1	4.8
4,194,304	9600	436	7	0	-0.3	0

Table 19-4. Commonly Used Baud Rates, Settings, and Errors, UCOS16 = 0 (continued)

BRCLK Frequency (Hz)	Baud Rate (baud)	UCBRx	UCBRsX	UCBRFx	Maximum TX Error (%)		Maximum RX Error (%)	
4,194,304	19200	218	4	0	-0.2	0.2	-0.3	0.6
4,194,304	57600	72	7	0	-1.1	0.6	-1.3	1.9
4,194,304	115200	36	3	0	-1.9	1.5	-2.7	3.4
8,000,000	9600	833	2	0	-0.1	0	-0.2	0.1
8,000,000	19200	416	6	0	-0.2	0.2	-0.2	0.4
8,000,000	38400	208	3	0	-0.2	0.5	-0.3	0.8
8,000,000	57600	138	7	0	-0.7	0	-0.8	0.6
8,000,000	115200	69	4	0	-0.6	0.8	-1.8	1.1
8,000,000	230400	34	6	0	-2.1	0.6	-2.5	3.1
8,000,000	460800	17	3	0	-2.1	4.8	-6.8	5.8
8,388,608	9600	873	7	0	-0.1	0.06	-0.2	0.1
8,388,608	19200	436	7	0	-0.3	0	-0.3	0.2
8,388,608	57600	145	5	0	-0.5	0.3	-1.0	0.5
8,388,608	115200	72	7	0	-1.1	0.6	-1.3	1.9
12,000,000	9600	1250	0	0	0	0	-0.05	0.05
12,000,000	19200	625	0	0	0	0	-0.2	0
12,000,000	38400	312	4	0	-0.2	0	-0.2	0.2
12,000,000	57600	208	2	0	-0.5	0.2	-0.6	0.5
12,000,000	115200	104	1	0	-0.5	0.6	-0.9	1.2
12,000,000	230400	52	0	0	-1.8	0	-2.6	0.9
12,000,000	460800	26	0	0	-1.8	0	-3.6	1.8
16,000,000	9600	1666	6	0	-0.05	0.05	-0.05	0.1
16,000,000	19200	833	2	0	-0.1	0.05	-0.2	0.1
16,000,000	38400	416	6	0	-0.2	0.2	-0.2	0.4
16,000,000	57600	277	7	0	-0.3	0.3	-0.5	0.4
16,000,000	115200	138	7	0	-0.7	0	-0.8	0.6
16,000,000	230400	69	4	0	-0.6	0.8	-1.8	1.1
16,000,000	460800	34	6	0	-2.1	0.6	-2.5	3.1
16,777,216	9600	1747	5	0	-0.04	0.03	-0.08	0.05
16,777,216	19200	873	7	0	-0.09	0.06	-0.2	0.1
16,777,216	57600	291	2	0	-0.2	0.2	-0.5	0.2
16,777,216	115200	145	5	0	-0.5	0.3	-1.0	0.5
20,000,000	9600	2083	2	0	-0.05	0.02	-0.09	0.02
20,000,000	19200	1041	6	0	-0.06	0.06	-0.1	0.1
20,000,000	38400	520	7	0	-0.2	0.06	-0.2	0.2
20,000,000	57600	347	2	0	-0.06	0.2	-0.3	0.3
20,000,000	115200	173	5	0	-0.4	0.3	-0.8	0.5
20,000,000	230400	86	7	0	-1.0	0.6	-1.0	1.7
20,000,000	460800	43	3	0	-1.4	1.3	-3.3	1.8

Table 19-5. Commonly Used Baud Rates, Settings, and Errors, UCOS16 = 1

BRCLK Frequency (Hz)	Baud Rate (baud)	UCBRx	UCBRsX	UCBRFx	Maximum TX Error (%)	Maximum RX Error (%)		
1,000,000	9600	6	0	8	-1.8	0	-2.2	0.4
1,000,000	19200	3	0	4	-1.8	0	-2.6	0.9
1,048,576	9600	6	0	13	-2.3	0	-2.2	0.8
1,048,576	19200	3	1	6	-4.6	3.2	-5.0	4.7
4,000,000	9600	26	0	1	0	0.9	0	1.1
4,000,000	19200	13	0	0	-1.8	0	-1.9	0.2
4,000,000	38400	6	0	8	-1.8	0	-2.2	0.4
4,000,000	57600	4	5	3	-3.5	3.2	-1.8	6.4
4,000,000	115200	2	3	2	-2.1	4.8	-2.5	7.3
4,194,304	9600	27	0	5	0	0.2	0	0.5
4,194,304	19200	13	0	10	-2.3	0	-2.4	0.1
4,194,304	57600	4	4	7	-2.5	2.5	-1.3	5.1
4,194,304	115200	2	6	3	-3.9	2.0	-1.9	6.7
8,000,000	9600	52	0	1	-0.4	0	-0.4	0.1
8,000,000	19200	26	0	1	0	0.9	0	1.1
8,000,000	38400	13	0	0	-1.8	0	-1.9	0.2
8,000,000	57600	8	0	11	0	0.88	0	1.6
8,000,000	115200	4	5	3	-3.5	3.2	-1.8	6.4
8,000,000	230400	2	3	2	-2.1	4.8	-2.5	7.3
8,388,608	9600	54	0	10	0	0.2	-0.05	0.3
8,388,608	19200	27	0	5	0	0.2	0	0.5
8,388,608	57600	9	0	2	0	2.8	-0.2	3.0
8,388,608	115200	4	4	7	-2.5	2.5	-1.3	5.1
12,000,000	9600	78	0	2	0	0	-0.05	0.05
12,000,000	19200	39	0	1	0	0	0	0.2
12,000,000	38400	19	0	8	-1.8	0	-1.8	0.1
12,000,000	57600	13	0	0	-1.8	0	-1.9	0.2
12,000,000	115200	6	0	8	-1.8	0	-2.2	0.4
12,000,000	230400	3	0	4	-1.8	0	-2.6	0.9
16,000,000	9600	104	0	3	0	0.2	0	0.3
16,000,000	19200	52	0	1	-0.4	0	-0.4	0.1
16,000,000	38400	26	0	1	0	0.9	0	1.1
16,000,000	57600	17	0	6	0	0.9	-0.1	1.0
16,000,000	115200	8	0	11	0	0.9	0	1.6
16,000,000	230400	4	5	3	-3.5	3.2	-1.8	6.4
16,000,000	460800	2	3	2	-2.1	4.8	-2.5	7.3
16,777,216	9600	109	0	4	0	0.2	-0.02	0.3
16,777,216	19200	54	0	10	0	0.2	-0.05	0.3
16,777,216	57600	18	0	3	-1.0	0	-1.0	0.3
16,777,216	115200	9	0	2	0	2.8	-0.2	3.0
20,000,000	9600	130	0	3	-0.2	0	-0.2	0.04
20,000,000	19200	65	0	2	0	0.4	-0.03	0.4
20,000,000	38400	32	0	9	0	0.4	0	0.5
20,000,000	57600	21	0	11	-0.7	0	-0.7	0.3
20,000,000	115200	10	0	14	0	2.5	-0.2	2.6
20,000,000	230400	5	0	7	0	2.5	0	3.5

Table 19-5. Commonly Used Baud Rates, Settings, and Errors, UCOS16 = 1 (continued)

BRCLK Frequency (Hz)	Baud Rate (baud)	UCBRx	UCBR5x	UCBRFx	Maximum TX Error (%)	Maximum RX Error (%)		
20,000,000	460800	2	6	10	-3.2	1.8	-2.8	4.6

19.3.14 Using the USCI Module in UART Mode With Low-Power Modes

The USCI module provides automatic clock activation for use with low-power modes. When the USCI clock source is inactive because the device is in a low-power mode, the USCI module automatically activates it when needed, regardless of the control-bit settings for the clock source. The clock remains active until the USCI module returns to its idle condition. After the USCI module returns to the idle condition, control of the clock source reverts to the settings of its control bits.

19.3.15 USCI Interrupts

The USCI has only one interrupt vector that is shared for transmission and for reception. USCI_Ax and USC_Bx do not share the same interrupt vector.

19.3.15.1 USCI Transmit Interrupt Operation

The UCTXIFG interrupt flag is set by the transmitter to indicate that UCAXTXBUF is ready to accept another character. An interrupt request is generated if UCTXIE and GIE are also set. UCTXIFG is automatically reset if a character is written to UCAXTXBUF.

UCTXIFG is set after a PUC or when UCSWRST = 1. UCTXIE is reset after a PUC or when UCSWRST = 1.

19.3.15.2 USCI Receive Interrupt Operation

The UCRXIFG interrupt flag is set each time a character is received and loaded into UCAXRXBUF. An interrupt request is generated if UCRXIE and GIE are also set. UCRXIFG and UCRXIE are reset by a system reset PUC signal or when UCSWRST = 1. UCRXIFG is automatically reset when UCAXRXBUF is read.

Additional interrupt control features include:

- When UCAXRXEIE = 0, erroneous characters do not set UCRXIFG.
- When UCDORM = 1, nonaddress characters do not set UCRXIFG in multiprocessor modes. In plain UART mode, no characters are set UCRXIFG.
- When UCBRKIE = 1, a break condition sets the UCBRK bit and the UCRXIFG flag.

19.3.15.3 UCAXIV, Interrupt Vector Generator

The USCI interrupt flags are prioritized and combined to source a single interrupt vector. The interrupt vector register UCAXIV is used to determine which flag requested an interrupt. The highest-priority enabled interrupt generates a number in the UCAXIV register that can be evaluated or added to the program counter to automatically enter the appropriate software routine. Disabled interrupts do not affect the UCAXIV value.

Any access, read or write, of the UCAXIV register automatically resets the highest-pending interrupt flag. If another interrupt flag is set, another interrupt is immediately generated after servicing the initial interrupt.

UCAxIV Software Example

The following software example shows the recommended use of UCAxIV. The UCAxIV value is added to the PC to automatically jump to the appropriate routine. The following example is given for USCI_A0.

```
USCI_UART_ISR
    ADD    &UCA0IV, PC    ; Add offset to jump table
    RETI                               ; Vector 0: No interrupt
    JMP    RXIFG_ISR     ; Vector 2: RXIFG
TXIFG_ISR
    ...                               ; Task starts here
    RETI                               ; Return
RXIFG_ISR
    ...                               ; Vector 2
    ...                               ; Task starts here
    RETI                               ; Return
```

19.4 USCI_A UART Mode Registers

The USCI registers applicable in UART mode listed in [Table 19-6](#). The base address can be found in the device-specific data sheet. The address offsets are listed in [Table 19-6](#).

Table 19-6. USCI_A UART Mode Registers

Offset	Acronym	Register Name	Type	Access	Reset	Section
00h	UCAxCTLW0	USCI_Ax Control Word 0	Read/write	Word	0001h	
00h	UCAxCTL1	USCI_Ax Control 1	Read/write	Byte	01h	Section 20.4.2
01h	UCAxCTL0	USCI_Ax Control 0	Read/write	Byte	00h	Section 20.4.1
06h	UCAxBRW	USCI_Ax Baud Rate Control Word	Read/write	Word	0000h	
06h	UCAxBR0	USCI_Ax Baud Rate Control 0	Read/write	Byte	00h	Section 20.4.3
07h	UCAxBR1	USCI_Ax Baud Rate Control 1	Read/write	Byte	00h	Section 20.4.4
08h	UCAxMCTL	USCI_Ax Modulation Control	Read/write	Byte	00h	Section 20.4.5
09h		Reserved - reads zero	Read	Byte	00h	
0Ah	UCAxSTAT	USCI_Ax Status	Read/write	Byte	00h	Section 20.4.6
0Bh		Reserved - reads zero	Read	Byte	00h	
0Ch	UCAxRXBUF	USCI_Ax Receive Buffer	Read/write	Byte	00h	Section 20.4.7
0Dh		Reserved - reads zero	Read	Byte	00h	
0Eh	UCAxTXBUF	USCI_Ax Transmit Buffer	Read/write	Byte	00h	Section 20.4.8
0Fh		Reserved - reads zero	Read	Byte	00h	
10h	UCAxABCTL	USCI_Ax Auto Baud Rate Control	Read/write	Byte	00h	Section 19.4.11
11h		Reserved - reads zero	Read	Byte	00h	
12h	UCAxIRCTL	USCI_Ax IrDA Control	Read/write	Word	0000h	
12h	UCAxIRTCTL	USCI_Ax IrDA Transmit Control	Read/write	Byte	00h	Section 19.4.9
13h	UCAxIRRCTL	USCI_Ax IrDA Receive Control	Read/write	Byte	00h	Section 19.4.10
1Ch	UCAxICTL	USCI_Ax Interrupt Control	Read/write	Word	0000h	
1Ch	UCAxIE	USCI_Ax Interrupt Enable	Read/write	Byte	00h	Section 20.4.9
1Dh	UCAxIFG	USCI_Ax Interrupt Flag	Read/write	Byte	00h	Section 20.4.10
1Eh	UCAxIV	USCI_Ax Interrupt Vector	Read	Word	0000h	Section 20.4.11

19.4.1 UCxCTL0 Register

USCI_Ax Control Register 0

Figure 19-12. UCxCTL0 Register

7	6	5	4	3	2	1	0
UCPEN	UCPAR	UCMSB	UC7BIT	UCSPB	UCMODEx		UCSYNC
rw-0	rw-0	rw-0	rw-0	rw-0	rw-0	rw-0	rw-0

Modify only when UCSWRST = 1.

Table 19-7. UCxCTL0 Register Description

Bit	Field	Type	Reset	Description
7	UCPEN	RW	0h	Parity enable 0b = Parity disabled 1b = Parity enabled. Parity bit is generated (UCAxTXD) and expected (UCAxRXD). In address-bit multiprocessor mode, the address bit is included in the parity calculation.
6	UCPAR	RW	0h	Parity select. UCPAR is not used when parity is disabled. 0b = Odd parity 1b = Even parity
5	UCMSB	RW	0h	MSB first select. Controls the direction of the receive and transmit shift register. 0b = LSB first 1b = MSB first
4	UC7BIT	RW	0h	Character length. Selects 7-bit or 8-bit character length. 0b = 8-bit data 1b = 7-bit data
3	UCSPB	RW	0h	Stop bit select. Number of stop bits. 0b = One stop bit 1b = Two stop bits
2-1	UCMODEx	RW	0h	USCI mode. The UCMODEx bits select the asynchronous mode when UCSYNC = 0. 00b = UART mode 01b = Idle-line multiprocessor mode 10b = Address-bit multiprocessor mode 11b = UART mode with automatic baud-rate detection
0	UCSYNC	RW	0h	Synchronous mode enable 0b = Asynchronous mode 1b = Synchronous mode

19.4.2 UCxCTL1 Register

USCI_Ax Control Register 1

Figure 19-13. UCxCTL1 Register

Table 19-8. UCxCTL1 Register Description

Bit	Field	Type	Reset	Description
7-6	UCSSELx	RW	0h	USCI clock source select. These bits select the BRCLK source clock. 00b = UCxCLK (external USCI clock) 01b = ACLK 10b = SMCLK 11b = SMCLK
5	UCRXEIE	RW	0h	Receive erroneous-character interrupt enable 0b = Erroneous characters rejected and UCRXIFG is not set. 1b = Erroneous characters received set UCRXIFG.
4	UCBRKIE	RW	0h	Receive break character interrupt enable 0b = Received break characters do not set UCRXIFG. 1b = Received break characters set UCRXIFG.
3	UCDORM	RW	0h	Dormant. Puts USCI into sleep mode. 0b = Not dormant. All received characters set UCRXIFG. 1b = Dormant. Only characters that are preceded by an idle-line or with address bit set UCRXIFG. In UART mode with automatic baud-rate detection, only the combination of a break and synch field sets UCRXIFG.
2	UCTXADDR	RW	0h	Transmit address. Next frame to be transmitted is marked as address, depending on the selected multiprocessor mode. 0b = Next frame transmitted is data. 1b = Next frame transmitted is an address.
1	UCTXBRK	RW	0h	Transmit break. Transmits a break with the next write to the transmit buffer. In UART mode with automatic baud-rate detection, 055h must be written into UCxTXBUF to generate the required break/synch fields. Otherwise, 0h must be written into the transmit buffer. 0b = Next frame transmitted is not a break. 1b = Next frame transmitted is a break or a break/synch.
0	UCSWRST	RW	1h	Software reset enable 0b = Disabled. USCI reset released for operation. 1b = Enabled. USCI logic held in reset state.

19.4.3 UCxBR0 Register

USCI_Ax Baud Rate Control Register 0

Figure 19-14. UCxBR0 Register

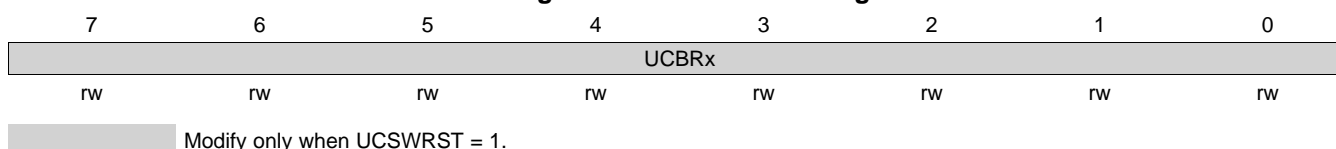


Table 19-9. UCxBR0 Register Description

Bit	Field	Type	Reset	Description
7-0	UCBRx	RW	undefined	Low byte of clock prescaler setting of the baud-rate generator. The 16-bit value of (UCxBR0 + UCxBR1 × 256) forms the prescaler value UCBRx.

19.4.4 UCxBR1 Register

USCI_Ax Baud Rate Control Register 1

Figure 19-15. UCxBR1 Register

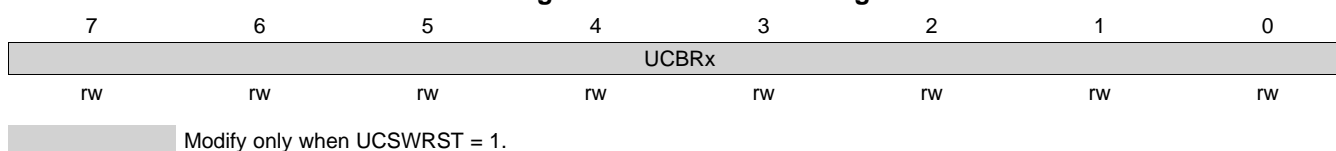


Table 19-10. UCxBR1 Register Description

Bit	Field	Type	Reset	Description
7-0	UCBRx	RW	undefined	High byte of clock prescaler setting of the baud-rate generator. The 16-bit value of (UCxBR0 + UCxBR1 × 256) forms the prescaler value UCBRx.

19.4.5 UCxMCTL Register

USCI_Ax Modulation Control Register

Figure 19-16. UCxMCTL Register

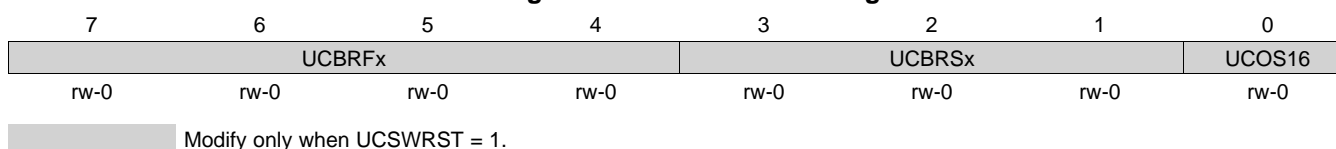


Table 19-11. UCxMCTL Register Description

Bit	Field	Type	Reset	Description
7-4	UCBRFx	RW	0h	First modulation stage select. These bits determine the modulation pattern for BITCLK16 when UCOS16 = 1. Ignored with UCOS16 = 0. Table 19-2 shows the modulation pattern.
3-1	UCBRSx	RW	0h	Second modulation stage select. These bits determine the modulation pattern for BITCLK. Table 19-2 shows the modulation pattern.
0	UCOS16	RW	0h	Oversampling mode enabled 0b = Disabled 1b = Enabled

19.4.6 UCxSTAT Register

USCI_Ax Status Register

Figure 19-17. UCxSTAT Register

7	6	5	4	3	2	1	0
UCLISTEN	UCFE	UCOE	UCPE	UCBRK	UCRXERR	UCADDR/ UCIDLE	UCBUSY
rw-0	rw-0	rw-0	rw-0	rw-0	rw-0	rw-0	r-0

Modify only when UCSWRST = 1.

Table 19-12. UCxSTAT Register Description

Bit	Field	Type	Reset	Description
7	UCLISTEN	RW	0h	Listen enable. The UCLISTEN bit selects loopback mode. 0b = Disabled 1b = Enabled. UCxTXD is internally fed back to the receiver.
6	UCFE	RW	0h	Framing error flag 0b = No error 1b = Character received with low stop bit
5	UCOE	RW	0h	Overrun error flag. This bit is set when a character is transferred into UCxRXBUF before the previous character was read. UCOE is cleared automatically when UCxRXBUF is read, and must not be cleared by software. Otherwise, it does not function correctly. 0b = No error 1b = Overrun error occurred
4	UCPE	RW	0h	Parity error flag. When UCPEN = 0, UCPE is read as 0. 0b = No error 1b = Character received with parity error
3	UCBRK	RW	0h	Break detect flag 0b = No break condition 1b = Break condition occurred
2	UCRXERR	RW	0h	Receive error flag. This bit indicates a character was received with error(s). When UCRXERR = 1, on or more error flags, UCFE, UCPE, or UCOE is also set. UCRXERR is cleared when UCxRXBUF is read. 0b = No receive errors detected 1b = Receive error detected
1	UCADDR/UCIDLE	RW	0h	UCADDR: Address received in address-bit multiprocessor mode. UCADDR is cleared when UCxRXBUF is read. 0b = Received character is data. 1b = Received character is an address. UCIDLE: Idle line detected in idle-line multiprocessor mode. UCIDLE is cleared when UCxRXBUF is read. 0b = No idle line detected 1b = Idle line detected
0	UCBUSY	R	0h	USCI busy. This bit indicates if a transmit or receive operation is in progress. 0b = USCI inactive 1b = USCI transmitting or receiving

19.4.7 UCAXRXBUF Register

USCI_Ax Receive Buffer Register

Figure 19-18. UCAXRXBUF Register

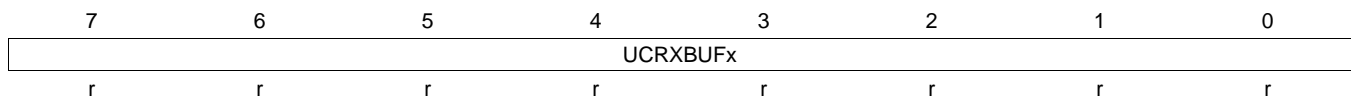


Table 19-13. UCAXRXBUF Register Description

Bit	Field	Type	Reset	Description
7-0	UCRXBUFx	R	undefined	The receive-data buffer is user accessible and contains the last received character from the receive shift register. Reading UCAXRXBUF resets the receive-error bits, the UCADDR or UCIDLE bit, and UCRXIFG. In 7-bit data mode, UCAXRXBUF is LSB justified and the MSB is always reset.

19.4.8 UCAXTXBUF Register

USCI_Ax Transmit Buffer Register

Figure 19-19. UCAXTXBUF Register

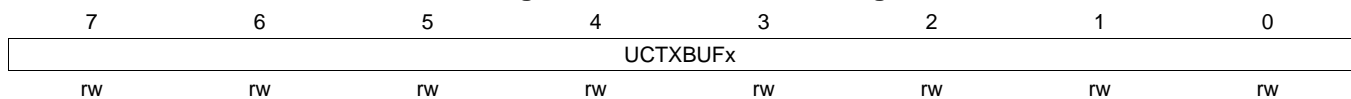


Table 19-14. UCAXTXBUF Register Description

Bit	Field	Type	Reset	Description
7-0	UCTXBUFx	RW	undefined	The transmit data buffer is user accessible and holds the data waiting to be moved into the transmit shift register and transmitted on UCAXTXD. Writing to the transmit data buffer clears UCTXIFG. The MSB of UCAXTXBUF is not used for 7-bit data and is reset.

19.4.9 UCAXIRTCTL Register

USCI_Ax IrDA Transmit Control Register

Figure 19-20. UCAXIRTCTL Register

7	6	5	4	3	2	1	0
UCIRTXPLx						UCIRTXCLK	UCIREN
rw-0	rw-0	rw-0	rw-0	rw-0	rw-0	rw-0	rw-0

Modify only when UCSWRST = 1.

Table 19-15. UCAXIRTCTL Register Description

Bit	Field	Type	Reset	Description
7-2	UCIRTXPLx	RW	0h	Transmit pulse length. Pulse length $t(\text{PULSE}) = (\text{UCIRTXPLx} + 1) / [2 \times f(\text{IRTXCLK})]$
1	UCIRTXCLK	RW	0h	IrDA transmit pulse clock select 0b = BRCLK 1b = BITCLK16 when UCOS16 = 1. Otherwise, BRCLK.
0	UCIREN	RW	0h	IrDA encoder and decoder enable 0b = IrDA encoder and decoder disabled 1b = IrDA encoder and decoder enabled

19.4.10 UCAXIRRCTL Register

USCI_Ax IrDA Receive Control Register

Figure 19-21. UCAXIRRCTL Register

7	6	5	4	3	2	1	0
UCIRRFLx						UCIRRPL	UCIRRXFE
rw-0	rw-0	rw-0	rw-0	rw-0	rw-0	rw-0	rw-0

Modify only when UCSWRST = 1.

Table 19-16. UCAXIRRCTL Register Description

Bit	Field	Type	Reset	Description
7-2	UCIRRFLx	RW	0h	Receive filter length. The minimum pulse length for receive is given by: $t(\text{MIN}) = (\text{UCIRRFLx} + 4) / (2 \times f(\text{BRCLK}))$
1	UCIRRPL	RW	0h	IrDA receive input UCAXRXD polarity 0b = IrDA transceiver delivers a high pulse when a light pulse is seen. 1b = IrDA transceiver delivers a low pulse when a light pulse is seen.
0	UCIRRXFE	RW	0h	IrDA receive filter enabled 0b = Receive filter disabled 1b = Receive filter enabled

19.4.11 UCxABCTL Register

USCI_Ax Auto Baud Rate Control Register

Figure 19-22. UCxABCTL Register

7	6	5	4	3	2	1	0
Reserved		UCDELIMx		UCSTOE	UCBTOE	Reserved	UCABDEN
r-0	r-0	rw-0	rw-0	rw-0	rw-0	r-0	rw-0

Modify only when UCSWRST = 1.

Table 19-17. UCxABCTL Register Description

Bit	Field	Type	Reset	Description
7-6	Reserved	R	0h	Reserved. Always reads as 0.
5-4	UCDELIMx	RW	0h	Break and synch delimiter length 00b = 1 bit time 01b = 2 bit times 10b = 3 bit times 11b = 4 bit times
3	UCSTOE	RW	0h	Synch field time out error 0b = No error 1b = Length of synch field exceeded measurable time.
2	UCBTOE	RW	0h	Break time out error 0b = No error 1b = Length of break field exceeded 22 bit times.
1	Reserved	R	0h	Reserved. Always reads as 0.
0	UCABDEN	RW	0h	Automatic baud-rate detect enable 0b = Baud-rate detection disabled. Length of break and synch field is not measured. 1b = Baud-rate detection enabled. Length of break and synch field is measured and baud-rate settings are changed accordingly.

19.4.12 UCAXIE Register

USCI_Ax Interrupt Enable Register

Figure 19-23. UCAXIE Register

7	6	5	4	3	2	1	0
Reserved						UCTXIE	UCRXIE
r-0	r-0	r-0	r-0	r-0	r-0	rw-0	rw-0

Table 19-18. UCAXIE Register Description

Bit	Field	Type	Reset	Description
7-2	Reserved	R	0h	Reserved. Always reads as 0.
1	UCTXIE	RW	0h	Transmit interrupt enable 0b = Interrupt disabled 1b = Interrupt enabled
0	UCRXIE	RW	0h	Receive interrupt enable 0b = Interrupt disabled 1b = Interrupt enabled

19.4.13 UCAXIFG Register

USCI_Ax Interrupt Flag Register

Figure 19-24. UCAXIFG Register

7	6	5	4	3	2	1	0
Reserved						UCTXIFG	UCRXIFG
r-0	r-0	r-0	r-0	r-0	r-0	rw-1	rw-0

Table 19-19. UCAXIFG Register Description

Bit	Field	Type	Reset	Description
7-2	Reserved	R	0h	Reserved. Always reads as 0.
1	UCTXIFG	RW	1h	Transmit interrupt flag. UCTXIFG is set when UCAXTXBUF empty. 0b = No interrupt pending 1b = Interrupt pending
0	UCRXIFG	RW	0h	Receive interrupt flag. UCRXIFG is set when UCAXRXBUF has received a complete character. 0b = No interrupt pending 1b = Interrupt pending

19.4.14 UCAXIV Register

USCI_Ax Interrupt Vector Register

Figure 19-25. UCAXIV Register

15	14	13	12	11	10	9	8
UCIVx							
r0	r0	r0	r0	r0	r0	r0	r0
7	6	5	4	3	2	1	0
UCIVx							
r0	r0	r0	r-0	r-0	r-0	r-0	r0

Table 19-20. UCAXIV Register Description

Bit	Field	Type	Reset	Description
15-0	UCIVx	R	0h	USCI interrupt vector value 00h = No interrupt pending 02h = Interrupt Source: Data received; Interrupt Flag: UCRXIFG; Interrupt Priority: Highest 04h = Interrupt Source: Transmit buffer empty; Interrupt Flag: UCTXIFG; Interrupt Priority: Lowest

Universal Serial Communication Interface – SPI Mode

The universal serial communication interface (USCI) supports multiple serial communication modes with one hardware module. This chapter discusses the operation of the synchronous peripheral interface (SPI) mode.

Topic	Page
20.1 Universal Serial Communication Interface (USCI) Overview	552
20.2 USCI Introduction – SPI Mode	553
20.3 USCI Operation – SPI Mode	555
20.4 USCI_A SPI Mode Registers	560
20.5 USCI_B SPI Mode Registers	568

20.1 Universal Serial Communication Interface (USCI) Overview

The universal serial communication interface (USCI) modules support multiple serial communication modes. Different USCI modules support different modes. Each different USCI module is named with a different letter. For example, USCI_A is different from USCI_B, etc. If more than one identical USCI module is implemented on one device, those modules are named with incrementing numbers. For example, if one device has two USCI_A modules, they are named USCI_A0 and USCI_A1. See the device-specific data sheet to determine which USCI modules, if any, are implemented on which devices.

USCI_Ax modules support:

- UART mode
- Pulse shaping for IrDA communications
- Automatic baud-rate detection for LIN communications
- SPI mode

USCI_Bx modules support:

- I²C mode
- SPI mode

20.2 USCI Introduction – SPI Mode

In synchronous mode, the USCI connects the device to an external system via three or four pins: UCxSIMO, UCxSOMI, UCxCLK, and UCxSTE. SPI mode is selected when the UCSYNC bit is set, and SPI mode (3-pin or 4-pin) is selected with the UCMODEx bits.

SPI mode features include:

- 7-bit or 8-bit data length
- LSB-first or MSB-first data transmit and receive
- 3-pin and 4-pin SPI operation
- Master or slave modes
- Independent transmit and receive shift registers
- Separate transmit and receive buffer registers
- Continuous transmit and receive operation
- Selectable clock polarity and phase control
- Programmable clock frequency in master mode
- Independent interrupt capability for receive and transmit
- Slave operation in LPM4

[Figure 20-1](#) shows the USCI when configured for SPI mode.

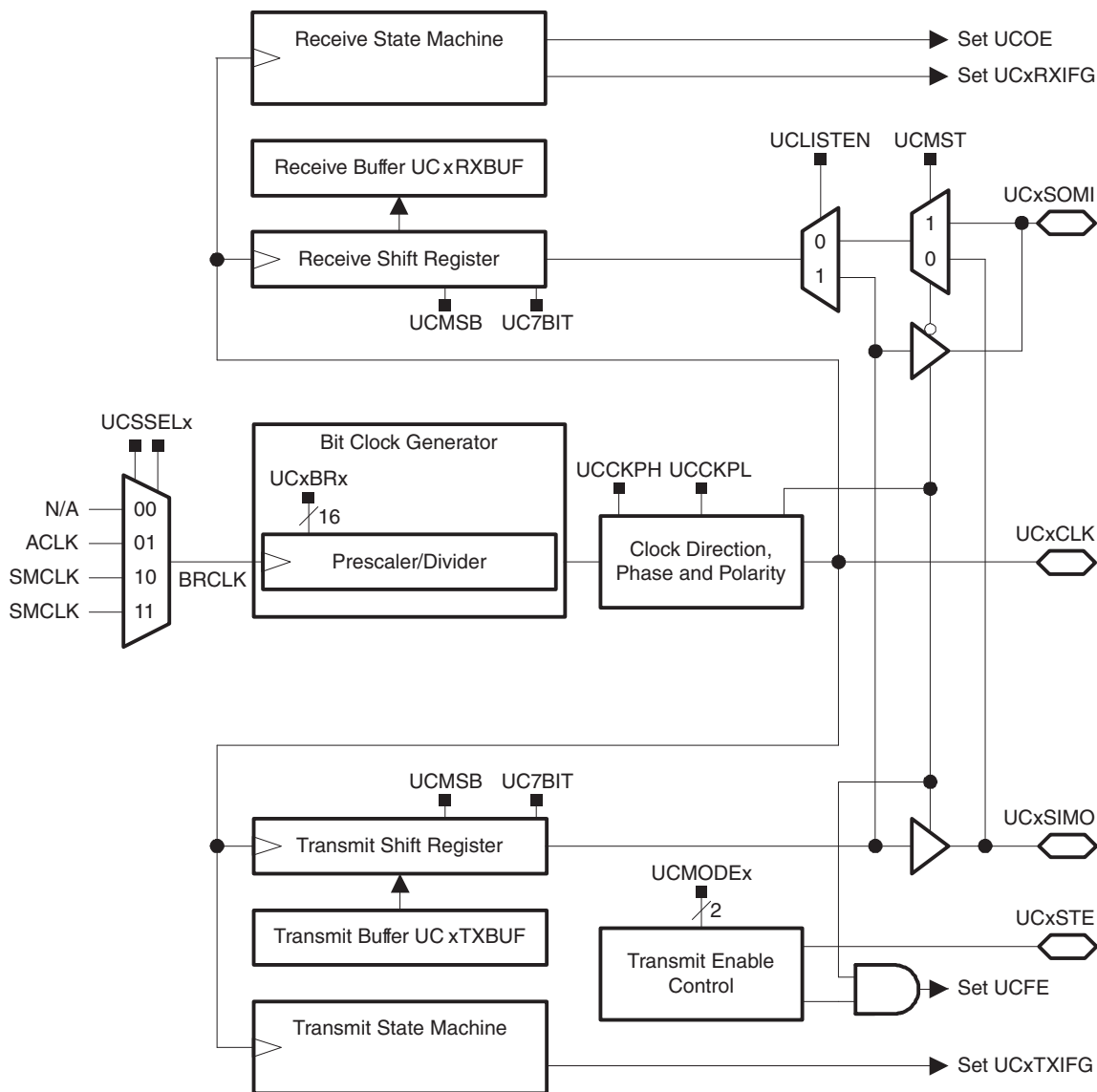


Figure 20-1. USCI Block Diagram – SPI Mode

20.3 USCI Operation – SPI Mode

In SPI mode, serial data is transmitted and received by multiple devices using a shared clock provided by the master. An additional pin, UCxSTE, is provided to enable a device to receive and transmit data and is controlled by the master.

Three or four signals are used for SPI data exchange:

- UCxSIMO – slave in, master out
Master mode: UCxSIMO is the data output line.
Slave mode: UCxSIMO is the data input line.
- UCxSOMI – slave out, master in
Master mode: UCxSOMI is the data input line.
Slave mode: UCxSOMI is the data output line.
- UCxCLK – USCI SPI clock
Master mode: UCxCLK is an output.
Slave mode: UCxCLK is an input.
- UCxSTE – slave transmit enable
Used in 4-pin mode to allow multiple masters on a single bus. Not used in 3-pin mode.

[Table 20-1](#) describes the UCxSTE operation.

Table 20-1. UCxSTE Operation

UCMODEx	UCxSTE Active State	UCxSTE	Slave	Master
01	High	0	Inactive	Active
		1	Active	Inactive
10	Low	0	Active	Inactive
		1	Inactive	Active

20.3.1 USCI Initialization and Reset

The USCI is reset by a PUC or by the UCSWRST bit. After a PUC, the UCSWRST bit is automatically set, keeping the USCI in a reset condition. When set, the UCSWRST bit resets the UCRXIE, UCTXIE, UCRXIFG, UCOE, and UCFE bits, and sets the UCTXIFG flag. Clearing UCSWRST releases the USCI for operation.

To avoid unpredictable behavior, configure or reconfigure the USCI module only when UCSWRST is set.

NOTE: Initializing or reconfiguring the USCI module

The recommended USCI initialization/reconfiguration process is:

1. Set UCSWRST (`BIS.B #UCSWRST, &UCxCTL1`).
 2. Initialize all USCI registers with UCSWRST = 1 (including UCxCTL1).
 3. Configure ports.
 4. Clear UCSWRST via software (`BIC.B #UCSWRST, &UCxCTL1`).
 5. Enable interrupts (optional) via UCRXIE and/or UCTXIE.
-

20.3.2 Character Format

The USCI module in SPI mode supports 7-bit and 8-bit character lengths selected by the UC7BIT bit. In 7-bit data mode, UCxRXBUF is LSB justified and the MSB is always reset. The UCMSB bit controls the direction of the transfer and selects LSB or MSB first.

NOTE: Default character format

The default SPI character transmission is LSB first. For communication with other SPI interfaces, MSB-first mode may be required.

NOTE: Character format for Figures

Figures throughout this chapter use MSB-first format.

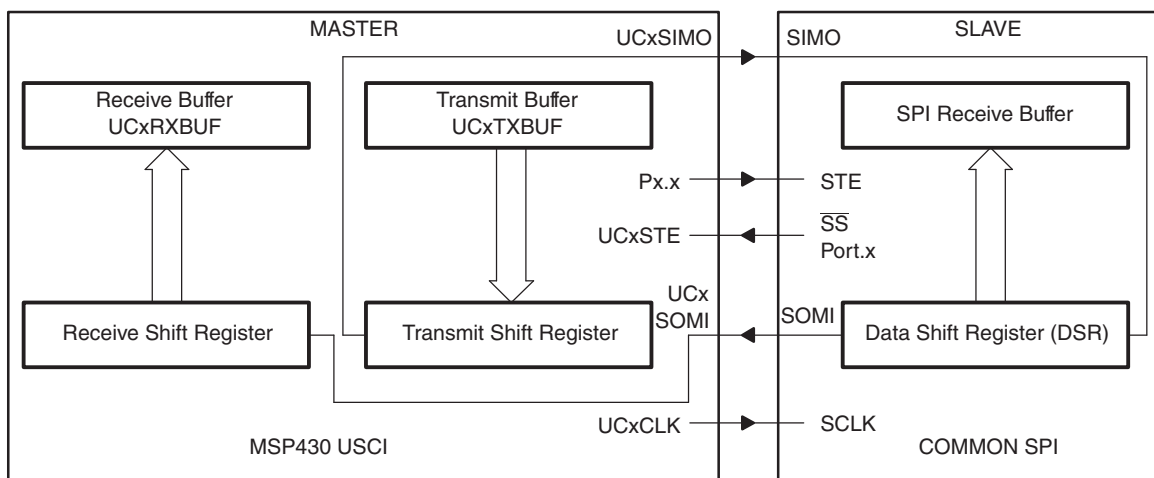
20.3.3 Master Mode

Figure 20-2. USCI Master and External Slave

Figure 20-2 shows the USCI as a master in both 3-pin and 4-pin configurations. The USCI initiates data transfer when data is moved to the transmit data buffer UCxTXBUF. The UCxTXBUF data is moved to the transmit (TX) shift register when the TX shift register is empty, initiating data transfer on UCxSIMO starting with either the MSB or LSB, depending on the UCMSB setting. Data on UCxSOMI is shifted into the receive shift register on the opposite clock edge. When the character is received, the receive data is moved from the receive (RX) shift register to the received data buffer UCxRXBUF and the receive interrupt flag UCRXIFG is set, indicating the RX/TX operation is complete.

A set transmit interrupt flag, UCTXIFG, indicates that data has moved from UCxTXBUF to the TX shift register and UCxTXBUF is ready for new data. It does not indicate RX/TX completion.

To receive data into the USCI in master mode, data must be written to UCxTXBUF, because receive and transmit operations operate concurrently.

20.3.3.1 4-Pin SPI Master Mode

In 4-pin master mode, UCxSTE is used to prevent conflicts with another master and controls the master as described in Table 20-1. When UCxSTE is in the master-inactive state:

- UCxSIMO and UCxCLK are set to inputs and no longer drive the bus.
- The error bit UCFE is set, indicating a communication integrity violation to be handled by the user.
- The internal state machines are reset and the shift operation is aborted.

If data is written into UCxTXBUF while the master is held inactive by UCxSTE, it is transmit as soon as UCxSTE transitions to the master-active state. If an active transfer is aborted by UCxSTE transitioning to the master-inactive state, the data must be rewritten into UCxTXBUF to be transferred when UCxSTE transitions back to the master-active state. The UCxSTE input signal is not used in 3-pin master mode.

20.3.4 Slave Mode

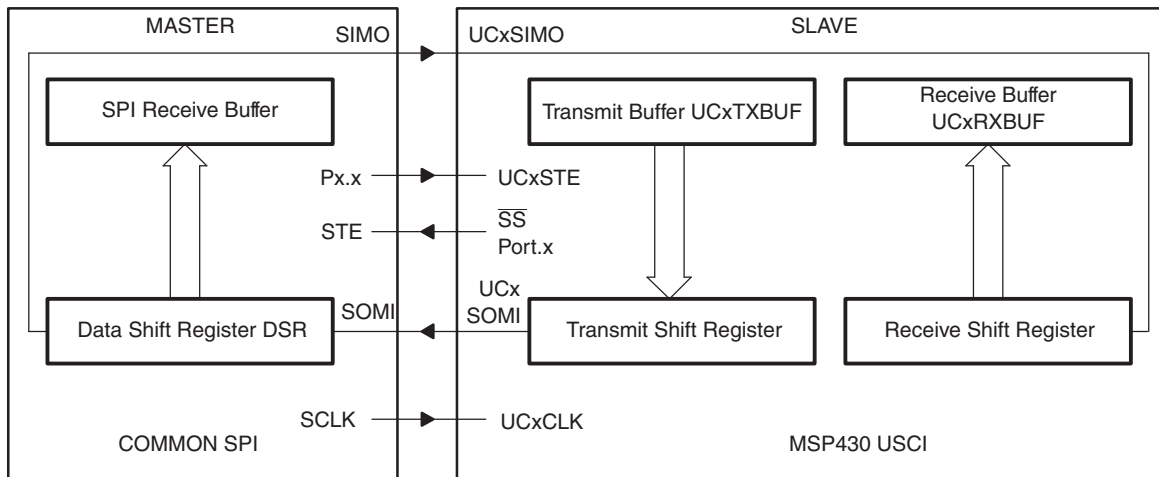


Figure 20-3. USCI Slave and External Master

Figure 20-3 shows the USCI as a slave in both 3-pin and 4-pin configurations. UCxCLK is used as the input for the SPI clock and must be supplied by the external master. The data-transfer rate is determined by this clock and not by the internal bit clock generator. Data written to UCxTXBUF is moved to the TX shift register before the start of UCxCLK and transmitted on UCxSOMI. Data on UCxSIMO is shifted into the receive shift register on the opposite edge of UCxCLK and moved to UCxRXBUF when the set number of bits are received. When data is moved from the RX shift register to UCxRXBUF, the UCRXIFG interrupt flag is set, indicating that data has been received. The overrun error bit UCOE is set when the previously received data is not read from UCxRXBUF before new data is moved to UCxRXBUF.

20.3.4.1 4-Pin SPI Slave Mode

In 4-pin slave mode, UCxSTE is used by the slave to enable the transmit and receive operations and is provided by the SPI master. When UCxSTE is in the slave-active state, the slave operates normally. When UCxSTE is in the slave-inactive state:

- Any receive operation in progress on UCxSIMO is halted.
- UCxSOMI is set to the input direction.
- The shift operation is halted until the UCxSTE line transitions into the slave transmit active state.

The UCxSTE input signal is not used in 3-pin slave mode.

20.3.5 SPI Enable

When the USCI module is enabled by clearing the UCSWRST bit, it is ready to receive and transmit. In master mode, the bit clock generator is ready, but is not clocked nor producing any clocks. In slave mode, the bit clock generator is disabled and the clock is provided by the master.

A transmit or receive operation is indicated by UCBUSY = 1.

A PUC or set UCSWRST bit disables the USCI immediately and any active transfer is terminated.

20.3.5.1 Transmit Enable

In master mode, writing to UCxTXBUF activates the bit clock generator, and the data begins to transmit.

In slave mode, transmission begins when a master provides a clock and, in 4-pin mode, when the UCxSTE is in the slave-active state.

20.3.5.2 Receive Enable

The SPI receives data when a transmission is active. Receive and transmit operations operate concurrently.

20.3.6 Serial Clock Control

UCxCLK is provided by the master on the SPI bus. When UCMST = 1, the bit clock is provided by the USCI bit clock generator on the UCxCLK pin. The clock used to generate the bit clock is selected with the UCSSELx bits. When UCMST = 0, the USCI clock is provided on the UCxCLK pin by the master, the bit clock generator is not used, and the UCSSELx bits are don't care. The SPI receiver and transmitter operate in parallel and use the same clock source for data transfer.

The 16-bit value of UCBRx in the bit rate control registers (UCxxBR1 and UCxxBR0) is the division factor of the USCI clock source, BRCLK. The maximum bit clock that can be generated in master mode is BRCLK. Modulation is not used in SPI mode, and UCAxMCTL should be cleared when using SPI mode for USCI_A. The UCAxCLK/UCBxCLK frequency is given by:

$$f_{\text{BitClock}} = f_{\text{BRCLK}} / \text{UCBRx}$$

20.3.6.1 Serial Clock Polarity and Phase

The polarity and phase of UCxCLK are independently configured via the UCCKPL and UCCKPH control bits of the USCI. Timing for each case is shown in Figure 20-4.

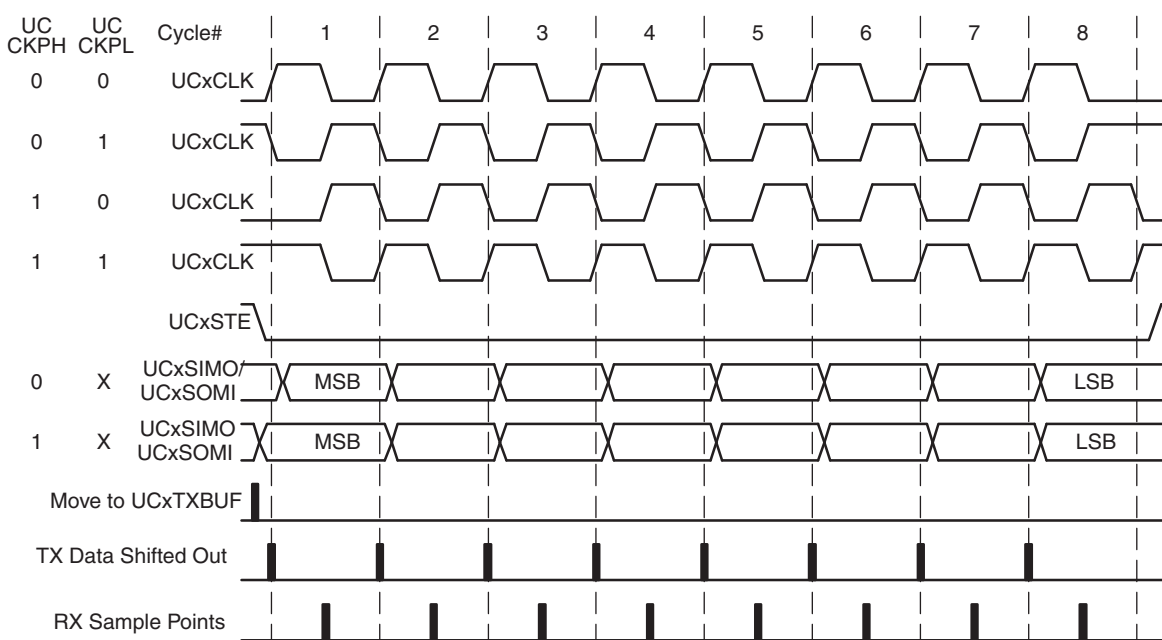


Figure 20-4. USCI SPI Timing With UCMSB = 1

20.3.7 Using the SPI Mode With Low-Power Modes

The USCI module provides automatic clock activation for use with low-power modes. When the USCI clock source is inactive because the device is in a low-power mode, the USCI module automatically activates it when needed, regardless of the control-bit settings for the clock source. The clock remains active until the USCI module returns to its idle condition. After the USCI module returns to the idle condition, control of the clock source reverts to the settings of its control bits.

In SPI slave mode, no internal clock source is required because the clock is provided by the external master. It is possible to operate the USCI in SPI slave mode while the device is in LPM4 and all clock sources are disabled. The receive or transmit interrupt can wake up the CPU from any low-power mode.

20.3.8 SPI Interrupts

The USCI has only one interrupt vector that is shared for transmission and for reception. USCI_Ax and USC_Bx do not share the same interrupt vector.

20.3.8.1 SPI Transmit Interrupt Operation

The UCTXIFG interrupt flag is set by the transmitter to indicate that UCxTXBUF is ready to accept another character. An interrupt request is generated if UCTXIE and GIE are also set. UCTXIFG is automatically reset if a character is written to UCxTXBUF. UCTXIFG is set after a PUC or when UCSWRST = 1. UCTXIE is reset after a PUC or when UCSWRST = 1.

NOTE: Writing to UCxTXBUF in SPI mode

Data written to UCxTXBUF when UCTXIFG = 0 may result in erroneous data transmission.

20.3.8.2 SPI Receive Interrupt Operation

The UCRXIFG interrupt flag is set each time a character is received and loaded into UCxRXBUF. An interrupt request is generated if UCRXIE and GIE are also set. UCRXIFG and UCRXIE are reset by a system reset PUC signal or when UCSWRST = 1. UCRXIFG is automatically reset when UCxRXBUF is read.

20.3.8.3 UCxIV, Interrupt Vector Generator

The USCI interrupt flags are prioritized and combined to source a single interrupt vector. The interrupt vector register UCxIV is used to determine which flag requested an interrupt. The highest-priority enabled interrupt generates a number in the UCxIV register that can be evaluated or added to the program counter (PC) to automatically enter the appropriate software routine. Disabled interrupts do not affect the UCxIV value.

Any access, read or write, of the UCxIV register automatically resets the highest-pending interrupt flag. If another interrupt flag is set, another interrupt is immediately generated after servicing the initial interrupt.

UCxIV Software Example

The following software example shows the recommended use of UCxIV. The UCxIV value is added to the PC to automatically jump to the appropriate routine. The following example is given for USCI_B0.

```

USCI_SPI_ISR
    ADD    &UCB0IV, PC    ; Add offset to jump table
    RETI                               ; Vector 0: No interrupt
    JMP    RXIFG_ISR     ; Vector 2: RXIFG
TXIFG_ISR
    ...                               ; Task starts here
    RETI                               ; Return
RXIFG_ISR
    ...                               ; Task starts here
    RETI                               ; Return
    
```

20.4 USCI_A SPI Mode Registers

The USCI_A registers that are applicable in SPI mode are listed in [Table 20-2](#). The base addresses can be found in the device-specific data sheet. The address offsets are listed in [Table 20-2](#).

Table 20-2. USCI_A SPI Mode Registers

Offset	Acronym	Register Name	Type	Access	Reset	Section
00h	UCAxCTLW0	USCI_Ax Control Word 0	Read/write	Word	0001h	
00h	UCAxCTL1	USCI_Ax Control 1	Read/write	Byte	01h	Section 20.4.2
01h	UCAxCTL0	USCI_Ax Control 0	Read/write	Byte	00h	Section 20.4.1
06h	UCAxBRW	USCI_Ax Bit Rate Control Word	Read/write	Word	0000h	
06h	UCAxBR0	USCI_Ax Bit Rate Control 0	Read/write	Byte	00h	Section 20.4.3
07h	UCAxBR1	USCI_Ax Bit Rate Control 1	Read/write	Byte	00h	Section 20.4.4
08h	UCAxMCTL	USCI_Ax Modulation Control	Read/write	Byte	00h	Section 20.4.5
0Ah	UCAxSTAT	USCI_Ax Status	Read/write	Byte	00h	Section 20.4.6
0Bh		Reserved - reads zero	Read	Byte	00h	
0Ch	UCAxRXBUF	USCI_Ax Receive Buffer	Read/write	Byte	00h	Section 20.4.7
0Dh		Reserved - reads zero	Read	Byte	00h	
0Eh	UCAxTXBUF	USCI_Ax Transmit Buffer	Read/write	Byte	00h	Section 20.4.8
0Fh		Reserved - reads zero	Read	Byte	00h	
1Ch	UCAxICTL	USCI_Ax Interrupt Control	Read/write	Word	0200h	
1Ch	UCAxIE	USCI_Ax Interrupt Enable	Read/write	Byte	00h	Section 20.4.9
1Dh	UCAxIFG	USCI_Ax Interrupt Flag	Read/write	Byte	02h	Section 20.4.10
1Eh	UCAxIV	USCI_Ax Interrupt Vector	Read	Word	0000h	Section 20.4.11

20.4.1 UCxCTL0 Register

USCI_Ax Control Register 0

Figure 20-5. UCxCTL0 Register

7	6	5	4	3	2	1	0
UCCKPH	UCCKPL	UCMSB	UC7BIT	UCMST	UCMODEx		UCSYNC
rw-0	rw-0	rw-0	rw-0	rw-0	rw-0	rw-0	rw-0

Modify only when UCSWRST = 1.

Table 20-3. UCxCTL0 Register Description

Bit	Field	Type	Reset	Description
7	UCCKPH	RW	0h	Clock phase select 0b = Data is changed on the first UCLK edge and captured on the following edge. 1b = Data is captured on the first UCLK edge and changed on the following edge.
6	UCCKPL	RW	0h	Clock polarity select 0b = The inactive state is low. 1b = The inactive state is high.
5	UCMSB	RW	0h	MSB first select. Controls the direction of the receive and transmit shift register. 0b = LSB first 1b = MSB first
4	UC7BIT	RW	0h	Character length. Selects 7-bit or 8-bit character length. 0b = 8-bit data 1b = 7-bit data
3	UCMST	RW	0h	Master mode select 0b = Slave mode 1b = Master mode
2-1	UCMODEx	RW	0h	USCI mode. The UCMODEx bits select the synchronous mode when UCSYNC = 1. 00b = 3-pin SPI 01b = 4-pin SPI with UCxSTE active high: Slave enabled when UCxSTE = 1 10b = 4-pin SPI with UCxSTE active low: Slave enabled when UCxSTE = 0 11b = I2C mode
0	UCSYNC	RW	0h	Synchronous mode enable 0b = Asynchronous mode 1b = Synchronous mode

20.4.2 UCxCTL1 Register

USCI_Ax Control Register 1

Figure 20-6. UCxCTL1 Register

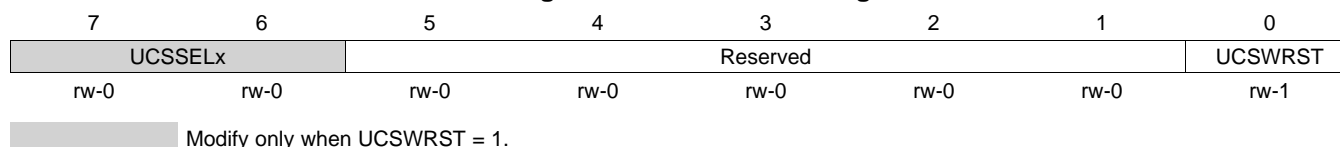


Table 20-4. UCxCTL1 Register Description

Bit	Field	Type	Reset	Description
7-6	UCSSELx	RW	0h	USCI clock source select. These bits select the BRCLK source clock in master mode. UCxCLK is always used in slave mode. 00b = Reserved 01b = ACLK 10b = SMCLK 11b = SMCLK
5-1	Reserved	RW	0h	Reserved. Always write as 0.
0	UCSWRST	RW	1h	Software reset enable 0b = Disabled. USCI reset released for operation. 1b = Enabled. USCI logic held in reset state.

20.4.3 UCxBR0 Register

USCI_Ax Bit Rate Control Register 0

Figure 20-7. UCxBR0 Register

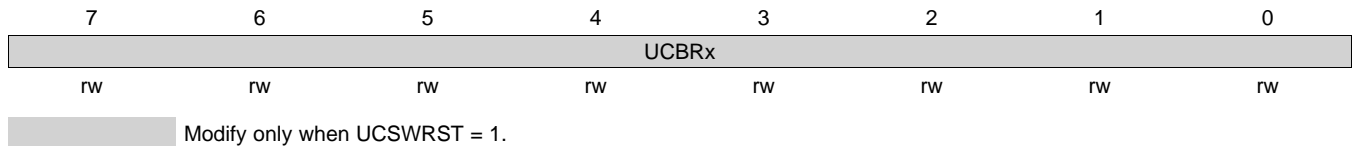


Table 20-5. UCxBR0 Register Description

Bit	Field	Type	Reset	Description
7-0	UCBRx	RW	undefined	Bit clock prescaler low byte. The 16-bit value of (UCxBR0 + UCxBR1 × 256) forms the prescaler value UCBRx.

20.4.4 UCxBR1 Register

USCI_Ax Bit Rate Control Register 1

Figure 20-8. UCxBR1 Register

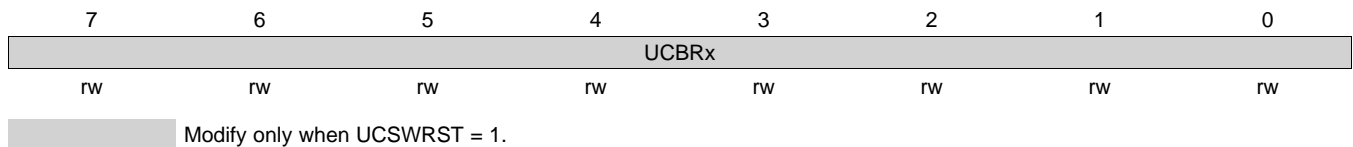


Table 20-6. UCxBR1 Register Description

Bit	Field	Type	Reset	Description
7-0	UCBRx	RW	undefined	Bit clock prescaler high byte. The 16-bit value of (UCxBR0 + UCxBR1 × 256) forms the prescaler value UCBRx.

20.4.5 UCxMCTL Register

USCI_Ax Modulation Control Register

Figure 20-9. UCxMCTL Register

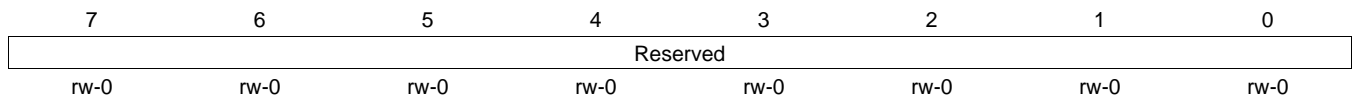


Table 20-7. UCxMCTL Register Description

Bit	Field	Type	Reset	Description
7-0	Reserved	R	0h	Reserved. Always write as 0.

20.4.6 UCxSTAT Register

USCI_Ax Status Register

Figure 20-10. UCxSTAT Register

7	6	5	4	3	2	1	0
UCLISTEN	UCFE	UCOE	Reserved			UCBUSY	
rw-0	rw-0	rw-0	rw-0	rw-0	rw-0	rw-0	r-0

Modify only when UCSWRST = 1.

Table 20-8. UCxSTAT Register Description

Bit	Field	Type	Reset	Description
7	UCLISTEN	RW	0h	Listen enable. The UCLISTEN bit selects loopback mode. 0b = Disabled 1b = Enabled. The transmitter output is internally fed back to the receiver.
6	UCFE	RW	0h	Framing error flag. This bit indicates a bus conflict in 4-wire master mode. UCFE is not used in 3-wire master or any slave mode. 0b = No error 1b = Bus conflict occurred.
5	UCOE	RW	0h	Overrun error flag. This bit is set when a character is transferred into UCxRXBUF before the previous character was read. UCOE is cleared automatically when UCxRXBUF is read, and must not be cleared by software. Otherwise, it does not function correctly. 0b = No error 1b = Overrun error occurred
4-1	Reserved	R	0h	Reserved. Always reads as 0.
0	UCBUSY	R	0h	USCI busy. This bit indicates if a transmit or receive operation is in progress. 0b = USCI inactive 1b = USCI transmitting or receiving

20.4.7 UCAXRXBUF Register

USCI_Ax Receive Buffer Register

Figure 20-11. UCAXRXBUF Register

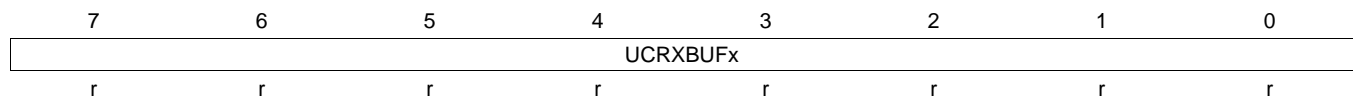


Table 20-9. UCAXRXBUF Register Description

Bit	Field	Type	Reset	Description
7-0	UCRXBUFx	R	undefined	The receive-data buffer is user accessible and contains the last received character from the receive shift register. Reading UCRXBUF resets the receive-error bits and UCRXIFG. In 7-bit data mode, UCRXBUF is LSB justified and the MSB is always reset.

20.4.8 UCAXTXBUF Register

USCI_Ax Transmit Buffer Register

Figure 20-12. UCAXTXBUF Register

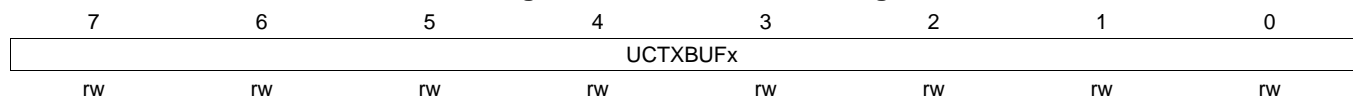


Table 20-10. UCAXTXBUF Register Description

Bit	Field	Type	Reset	Description
7-0	UCTXBUFx	RW	undefined	The transmit data buffer is user accessible and holds the data waiting to be moved into the transmit shift register and transmitted. Writing to the transmit data buffer clears UCTXIFG. The MSB of UCAXTXBUF is not used for 7-bit data and is reset.

20.4.9 UCAXIE Register

USCI_Ax Interrupt Enable Register

Figure 20-13. UCAXIE Register

7	6	5	4	3	2	1	0
Reserved						UCTXIE	UCRXIE
r-0	r-0	r-0	r-0	r-0	r-0	rw-0	rw-0

Table 20-11. UCAXIE Register Description

Bit	Field	Type	Reset	Description
7-2	Reserved	R	0h	Reserved. Always reads as 0.
1	UCTXIE	RW	0h	Transmit interrupt enable 0b = Interrupt disabled 1b = Interrupt enabled
0	UCRXIE	RW	0h	Receive interrupt enable 0b = Interrupt disabled 1b = Interrupt enabled

20.4.10 UCAXIFG Register

USCI_Ax Interrupt Flag Register

Figure 20-14. UCAXIFG Register

7	6	5	4	3	2	1	0
Reserved						UCTXIFG	UCRXIFG
r-0	r-0	r-0	r-0	r-0	r-0	rw-1	rw-0

Table 20-12. UCAXIFG Register Description

Bit	Field	Type	Reset	Description
7-2	Reserved	R	0h	Reserved. Always reads as 0.
1	UCTXIFG	RW	1h	Transmit interrupt flag. UCTXIFG is set when UCAXTXBUF empty. 0b = No interrupt pending 1b = Interrupt pending
0	UCRXIFG	RW	0h	Receive interrupt flag. UCRXIFG is set when UCAXRXBUF has received a complete character. 0b = No interrupt pending 1b = Interrupt pending

20.4.11 UCxIV Register

USCI_Ax Interrupt Vector Register

Figure 20-15. UCxIV Register

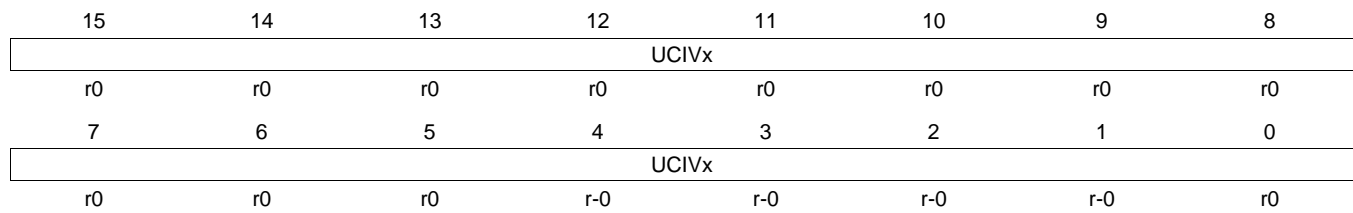


Table 20-13. UCxIV Register Description

Bit	Field	Type	Reset	Description
15-0	UCIVx	R	0h	USCI interrupt vector value 00h = No interrupt pending 02h = Interrupt Source: Data received; Interrupt Flag: UCRXIFG; Interrupt Priority: Highest 04h = Interrupt Source: Transmit buffer empty; Interrupt Flag: UCTXIFG; Interrupt Priority: Lowest

20.5 USCI_B SPI Mode Registers

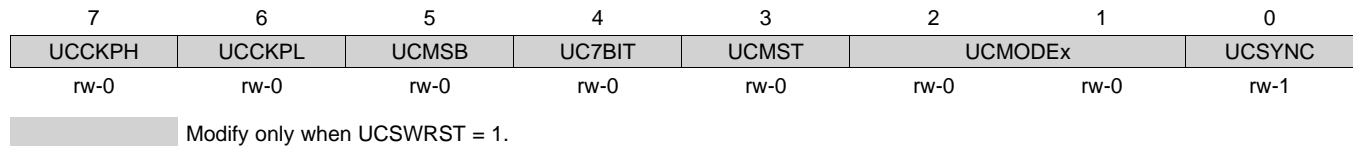
The USCI_B registers applicable in SPI mode are listed in [Table 20-14](#). The base addresses can be found in the device-specific data sheet. The address offsets are listed in [Table 20-14](#).

Table 20-14. USCI_B SPI Mode Registers

Offset	Acronym	Register Name	Type	Access	Reset	Section
00h	UCBxCTLW0	USCI_Bx Control Word 0	Read/write	Word	0101h	
00h	UCBxCTL1	USCI_Bx Control 1	Read/write	Byte	01h	Section 21.4.2
01h	UCBxCTL0	USCI_Bx Control 0	Read/write	Byte	01h	Section 21.4.1
06h	UCBxBRW	USCI_Bx Bit Rate Control Word	Read/write	Word	0000h	
06h	UCBxBR0	USCI_Bx Bit Rate Control 0	Read/write	Byte	00h	Section 21.4.3
07h	UCBxBR1	USCI_Bx Bit Rate Control 1	Read/write	Byte	00h	Section 21.4.4
08h	UCBxMCTL	USCI_Bx Modulation Control	Read/write	Byte	00h	Section 20.5.5
0Ah	UCBxSTAT	USCI_Bx Status	Read/write	Byte	00h	Section 21.4.5
0Bh		Reserved - reads zero	Read	Byte	00h	
0Ch	UCBxRXBUF	USCI_Bx Receive Buffer	Read/write	Byte	00h	Section 21.4.6
0Dh		Reserved - reads zero	Read	Byte	00h	
0Eh	UCBxTXBUF	USCI_Bx Transmit Buffer	Read/write	Byte	00h	Section 21.4.7
0Fh		Reserved - reads zero	Read	Byte	00h	
1Ch	UCBxICTL	USCI_Bx Interrupt Control	Read/write	Word	0200h	
1Ch	UCBxIE	USCI_Bx Interrupt Enable	Read/write	Byte	00h	Section 21.4.10
1Dh	UCBxIFG	USCI_Bx Interrupt Flag	Read/write	Byte	02h	Section 21.4.11
1Eh	UCBxIV	USCI_Bx Interrupt Vector	Read	Word	0000h	Section 21.4.12

20.5.1 UCBxCTL0 Register

USCI_Bx Control Register 0

Figure 20-16. UCBxCTL0 Register

Table 20-15. UCBxCTL0 Register Description

Bit	Field	Type	Reset	Description
7	UCCKPH	RW	0h	Clock phase select 0b = Data is changed on the first UCLK edge and captured on the following edge. 1b = Data is captured on the first UCLK edge and changed on the following edge.
6	UCCKPL	RW	0h	Clock polarity select 0b = The inactive state is low. 1b = The inactive state is high.
5	UCMSB	RW	0h	MSB first select. Controls the direction of the receive and transmit shift register. 0b = LSB first 1b = MSB first
4	UC7BIT	RW	0h	Character length. Selects 7-bit or 8-bit character length. 0b = 8-bit data 1b = 7-bit data
3	UCMST	RW	0h	Master mode select 0b = Slave mode 1b = Master mode
2-1	UCMODEx	RW	0h	USCI mode. The UCMODEx bits select the synchronous mode when UCSYNC = 1. 00b = 3-pin SPI 01b = 4-pin SPI with UCxSTE active high: Slave enabled when UCxSTE = 1 10b = 4-pin SPI with UCxSTE active low: Slave enabled when UCxSTE = 0 11b = I2C mode
0	UCSYNC	RW	1h	Synchronous mode enable 0b = Asynchronous mode 1b = Synchronous mode

20.5.2 UCBxCTL1 Register

USCI_Bx Control Register 1

Figure 20-17. UCBxCTL1 Register

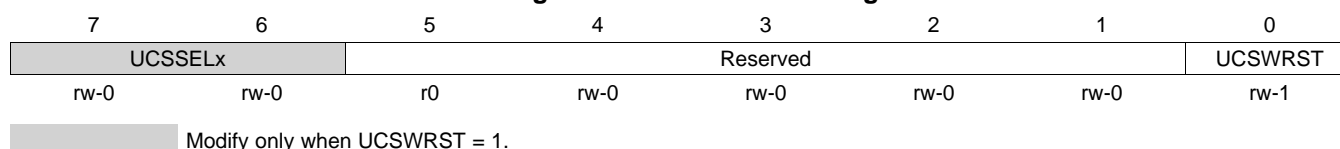


Table 20-16. UCBxCTL1 Register Description

Bit	Field	Type	Reset	Description
7-6	UCSSELx	RW	0h	USCI clock source select. These bits select the BRCLK source clock in master mode. UCxCLK is always used in slave mode. 00b = Reserved 01b = ACLK 10b = SMCLK 11b = SMCLK
5-1	Reserved	RW	0h	Reserved. Always write as 0.
0	UCSWRST	RW	1h	Software reset enable 0b = Disabled. USCI reset released for operation. 1b = Enabled. USCI logic held in reset state.

20.5.3 UCBxBR0 Register

USCI_Bx Bit Rate Control Register 0

Figure 20-18. UCBxBR0 Register

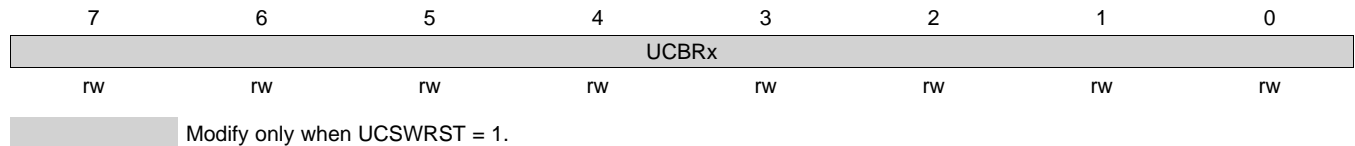


Table 20-17. UCBxBR0 Register Description

Bit	Field	Type	Reset	Description
7-0	UCBRx	RW	undefined	Bit clock prescaler low byte. The 16-bit value of (UCBxBR0 + UCBxBR1 × 256) forms the prescaler value UCBRx.

20.5.4 UCBxBR1 Register

USCI_Bx Bit Rate Control Register 1

Figure 20-19. UCBxBR1 Register

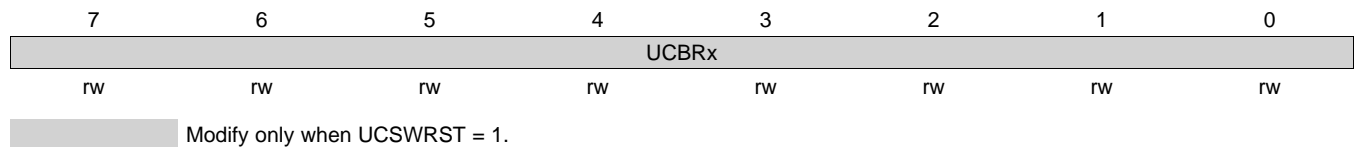


Table 20-18. UCBxBR1 Register Description

Bit	Field	Type	Reset	Description
7-0	UCBRx	RW	undefined	Bit clock prescaler high byte. The 16-bit value of (UCBxBR0 + UCBxBR1 × 256) forms the prescaler value UCBRx.

20.5.5 UCBxMCTL Register

USCI_Bx Modulation Control Register

Figure 20-20. UCBxMCTL Register

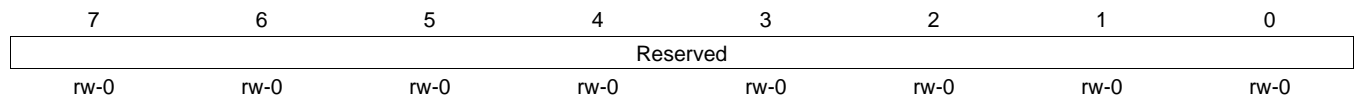


Table 20-19. UCBxMCTL Register Description

Bit	Field	Type	Reset	Description
7-0	Reserved	R	0h	Reserved. Always write as 0.

20.5.6 UCBxSTAT Register

USCI_Bx Status Register

Figure 20-21. UCBxSTAT Register

7	6	5	4	3	2	1	0
UCLISTEN	UCFE	UCOE	Reserved			UCBUSY	
rw-0	rw-0	rw-0	r0	r0	r0	r0	r-0

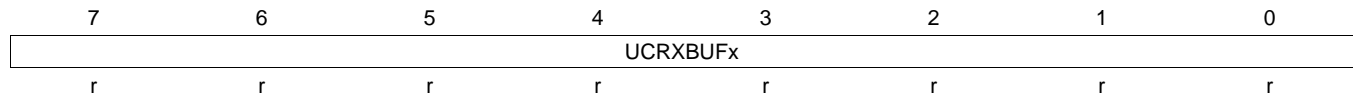
Modify only when UCSWRST = 1.

Table 20-20. UCBxSTAT Register Description

Bit	Field	Type	Reset	Description
7	UCLISTEN	RW	0h	Listen enable. The UCLISTEN bit selects loopback mode. 0b = Disabled 1b = Enabled. The transmitter output is internally fed back to the receiver.
6	UCFE	RW	0h	Framing error flag. This bit indicates a bus conflict in 4-wire master mode. UCFE is not used in 3-wire master or any slave mode. 0b = No error 1b = Bus conflict occurred.
5	UCOE	RW	0h	Overrun error flag. This bit is set when a character is transferred into UCxRXBUF before the previous character was read. UCOE is cleared automatically when UCxRXBUF is read, and must not be cleared by software. Otherwise, it does not function correctly. 0b = No error 1b = Overrun error occurred
4-1	Reserved	R	0h	Reserved. Always reads as 0.
0	UCBUSY	R	0h	USCI busy. This bit indicates if a transmit or receive operation is in progress. 0b = USCI inactive 1b = USCI transmitting or receiving

20.5.7 UCBxRXBUF Register

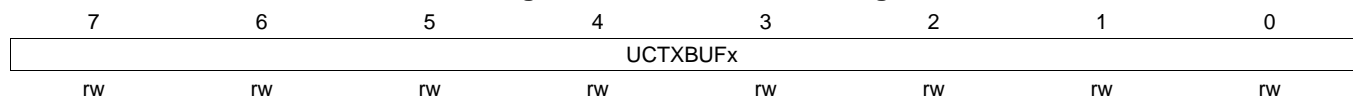
USCI_Bx Receive Buffer Register

Figure 20-22. UCBxRXBUF Register

Table 20-21. UCBxRXBUF Register Description

Bit	Field	Type	Reset	Description
7-0	UCRXBUFx	R	undefined	The receive-data buffer is user accessible and contains the last received character from the receive shift register. Reading UCRXBUF resets the receive-error bits and UCRXIFG. In 7-bit data mode, UCRXBUF is LSB justified and the MSB is always reset.

20.5.8 UCBxTXBUF Register

USCI_Bx Transmit Buffer Register

Figure 20-23. UCBxTXBUF Register

Table 20-22. UCBxTXBUF Register Description

Bit	Field	Type	Reset	Description
7-0	UCTXBUFx	RW	undefined	The transmit data buffer is user accessible and holds the data waiting to be moved into the transmit shift register and transmitted. Writing to the transmit data buffer clears UCTXIFG. The MSB of UCBxTXBUF is not used for 7-bit data and is reset.

20.5.9 UCBxIE Register

USCI_Bx Interrupt Enable Register

Figure 20-24. UCBxIE Register

7	6	5	4	3	2	1	0
Reserved						UCTXIE	UCRXIE
r-0	r-0	r-0	r-0	r-0	r-0	rw-0	rw-0

Table 20-23. UCBxIE Register Description

Bit	Field	Type	Reset	Description
7-2	Reserved	R	0h	Reserved. Always reads as 0.
1	UCTXIE	RW	0h	Transmit interrupt enable 0b = Interrupt disabled 1b = Interrupt enabled
0	UCRXIE	RW	0h	Receive interrupt enable 0b = Interrupt disabled 1b = Interrupt enabled

20.5.10 UCBxIFG Register

USCI_Bx Interrupt Flag Register

Figure 20-25. UCBxIFG Register

7	6	5	4	3	2	1	0
Reserved						UCTXIFG	UCRXIFG
r-0	r-0	r-0	r-0	r-0	r-0	rw-1	rw-0

Table 20-24. UCBxIFG Register Description

Bit	Field	Type	Reset	Description
7-2	Reserved	R	0h	Reserved. Always reads as 0.
1	UCTXIFG	RW	1h	Transmit interrupt flag. UCTXIFG is set when UCBxTXBUF empty. 0b = No interrupt pending 1b = Interrupt pending
0	UCRXIFG	RW	0h	Receive interrupt flag. UCRXIFG is set when UCBxRXBUF has received a complete character. 0b = No interrupt pending 1b = Interrupt pending

20.5.11 UCBxIV Register

USCI_Bx Interrupt Vector Register

Figure 20-26. UCBxIV Register

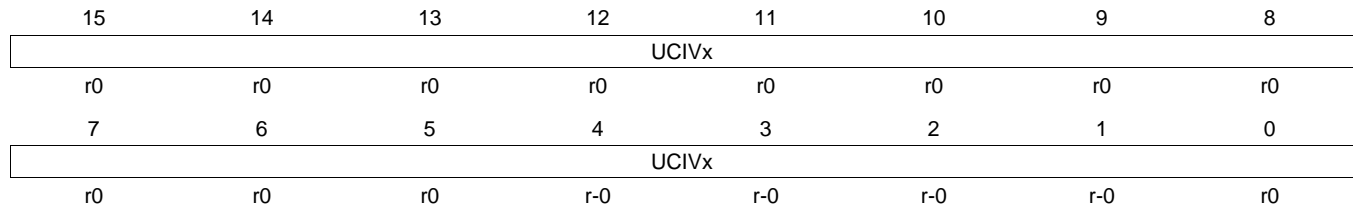


Table 20-25. UCBxIV Register Description

Bit	Field	Type	Reset	Description
15-0	UCIVx	R	0h	USCI interrupt vector value 00h = No interrupt pending 02h = Interrupt Source: Data received; Interrupt Flag: UCRXIFG; Interrupt Priority: Highest 04h = Interrupt Source: Transmit buffer empty; Interrupt Flag: UCTXIFG; Interrupt Priority: Lowest



Universal Serial Communication Interface – I²C Mode

The universal serial communication interface (USCI) supports multiple serial communication modes with one hardware module. This chapter discusses the operation of the I²C mode.

Topic	Page
21.1 Universal Serial Communication Interface (USCI) Overview	577
21.2 USCI Introduction – I ² C Mode	578
21.3 USCI Operation – I ² C Mode	579
21.4 USCI_B I2C Mode Registers	598

21.1 Universal Serial Communication Interface (USCI) Overview

The USCI modules support multiple serial communication modes. Different USCI modules support different modes. Each different USCI module is named with a different letter. For example, USCI_A is different from USCI_B, etc. If more than one identical USCI module is implemented on one device, those modules are named with incrementing numbers. For example, if one device has two USCI_A modules, they are named USCI_A0 and USCI_A1. See the device-specific data sheet to determine which USCI modules, if any, are implemented on each device.

USCI_Ax modules support:

- UART mode
- Pulse shaping for IrDA communications
- Automatic baud-rate detection for LIN communications
- SPI mode

USCI_Bx modules support:

- I²C mode
- SPI mode

21.2 USCI Introduction – I²C Mode

In I²C mode, the USCI module provides an interface between the device and I²C-compatible devices connected by the two-wire I²C serial bus. External components attached to the I²C bus serially transmit and/or receive serial data to/from the USCI module through the 2-wire I²C interface.

The I²C mode features include:

- Compliance to the Philips Semiconductor I²C specification v2.1
- 7-bit and 10-bit device addressing modes
- General call
- START/RESTART/STOP
- Multi-master transmitter/receiver mode
- Slave receiver/transmitter mode
- Standard mode up to 100 kbps and fast mode up to 400 kbps support
- Programmable UCxCLK frequency in master mode
- Designed for low power
- Slave receiver START detection for auto wake up from LPMx modes
- Slave operation in LPM4

[Figure 21-1](#) shows the USCI when configured in I²C mode.

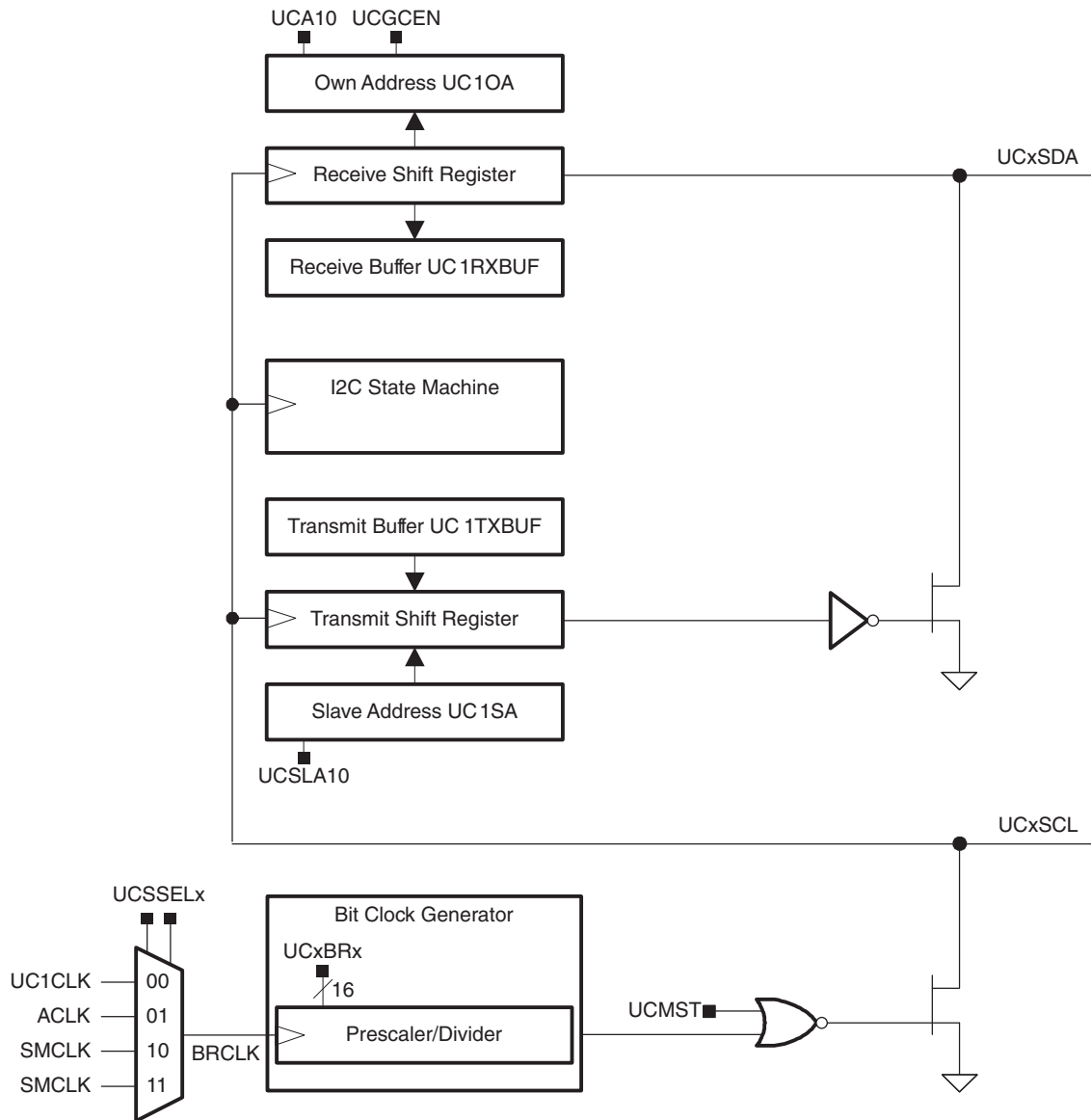


Figure 21-1. USCI Block Diagram – I²C Mode

21.3 USCI Operation – I²C Mode

The I²C mode supports any slave or master I²C-compatible device. Figure 21-2 shows an example of an I²C bus. Each I²C device is recognized by a unique address and can operate as either a transmitter or a receiver. A device connected to the I²C bus can be considered as the master or the slave when performing data transfers. A master initiates a data transfer and generates the clock signal SCL. Any device addressed by a master is considered a slave.

I²C data is communicated using the serial data (SDA) pin and the serial clock (SCL) pin. Both SDA and SCL are bidirectional and must be connected to a positive supply voltage using a pullup resistor.

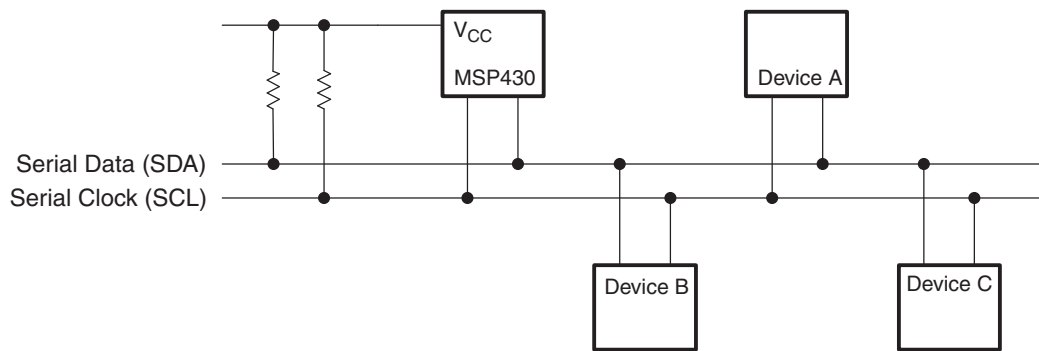


Figure 21-2. I²C Bus Connection Diagram

NOTE: SDA and SCL levels

The SDA and SCL pins must not be pulled up above the device V_{CC} level.

21.3.1 USCI Initialization and Reset

The USCI is reset by a PUC or by setting the UCSWRST bit. After a PUC, the UCSWRST bit is automatically set, keeping the USCI in a reset condition. To select I²C operation, the UCMODEx bits must be set to 11. After module initialization, it is ready for transmit or receive operation. Clearing UCSWRST releases the USCI for operation.

To avoid unpredictable behavior, configure or reconfigure the USCI module only when UCSWRST is set.

Setting UCSWRST in I²C mode has the following effects:

- I²C communication stops.
- SDA and SCL are high impedance.
- UCBxI2CSTAT, bits 6–0 are cleared.
- Registers UCBxIE and UCBxIFG are cleared.
- All other bits and register remain unchanged.

NOTE: Initializing or re-configuring the USCI module

The recommended USCI initialization/reconfiguration process is:

1. Set UCSWRST (BIS.B
#UCSWRST, &UCxCTL1).
2. Initialize all USCI registers with UCSWRST = 1.
3. Configure ports.
4. Clear UCSWRST via software (BIC.B
#UCSWRST, &UCxCTL1).
5. Enable interrupts (optional).

21.3.2 I²C Serial Data

One clock pulse is generated by the master device for each data bit transferred. The I²C mode operates with byte data. Data is transferred MSB first as shown in [Figure 21-3](#).

The first byte after a START condition consists of a 7-bit slave address and the R/W bit. When $R/\bar{W} = 0$, the master transmits data to a slave. When $R/\bar{W} = 1$, the master receives data from a slave. The ACK bit is sent from the receiver after each byte on the ninth SCL clock.

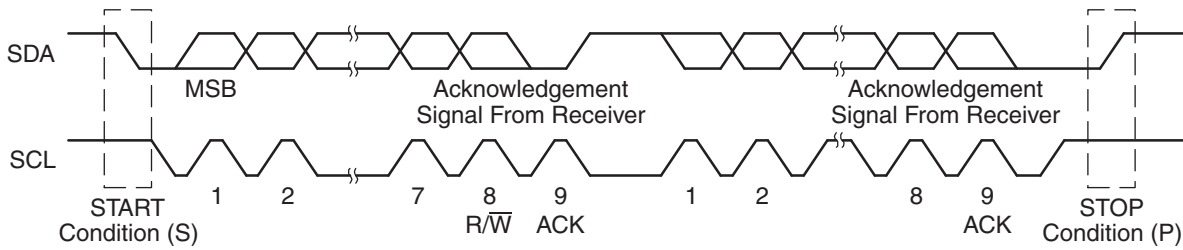


Figure 21-3. I²C Module Data Transfer

START and STOP conditions are generated by the master and are shown in [Figure 21-3](#). A START condition is a high-to-low transition on the SDA line while SCL is high. A STOP condition is a low-to-high transition on the SDA line while SCL is high. The bus busy bit, UCBBUSY, is set after a START and cleared after a STOP.

Data on SDA must be stable during the high period of SCL (see [Figure 21-4](#)). The high and low state of SDA can only change when SCL is low, otherwise START or STOP conditions are generated.

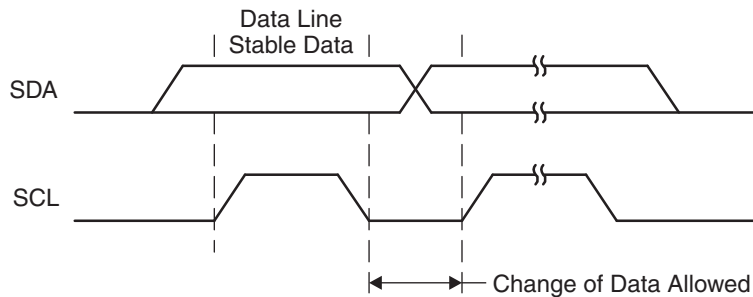


Figure 21-4. Bit Transfer on I²C Bus

21.3.3 I²C Addressing Modes

The I²C mode supports 7-bit and 10-bit addressing modes.

21.3.3.1 7-Bit Addressing

In the 7-bit addressing format (see [Figure 21-5](#)), the first byte is the 7-bit slave address and the R/W bit. The ACK bit is sent from the receiver after each byte.

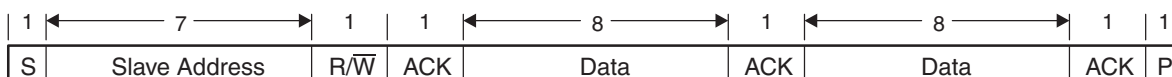


Figure 21-5. I²C Module 7-Bit Addressing Format

21.3.3.2 10-Bit Addressing

In the 10-bit addressing format (see [Figure 21-6](#)), the first byte is made up of 11110b plus the two MSBs of the 10-bit slave address and the R/W bit. The ACK bit is sent from the receiver after each byte. The next byte is the remaining eight bits of the 10-bit slave address, followed by the ACK bit and the 8-bit data. See [I²C Slave 10-bit Addressing Mode](#) and [I²C Master 10-bit Addressing Mode](#) for details how to use the 10-bit addressing mode with the USCI module.

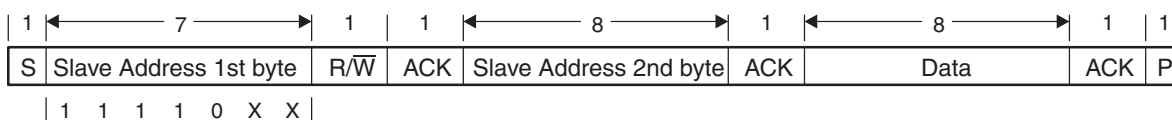


Figure 21-6. I²C Module 10-Bit Addressing Format

21.3.3.3 Repeated Start Conditions

The direction of data flow on SDA can be changed by the master, without first stopping a transfer, by issuing a repeated START condition. This is called a RESTART. After a RESTART is issued, the slave address is again sent out with the new data direction specified by the R/W bit. The RESTART condition is shown in [Figure 21-7](#).

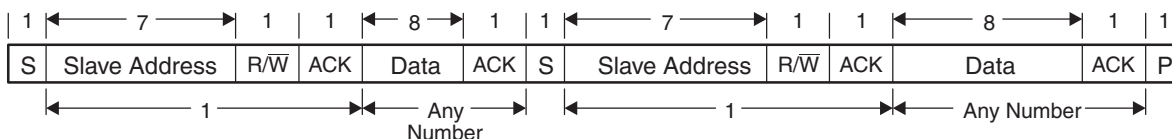


Figure 21-7. I²C Module Addressing Format With Repeated START Condition

21.3.4 I²C Module Operating Modes

In I²C mode, the USCI module can operate in master transmitter, master receiver, slave transmitter, or slave receiver mode. The modes are discussed in the following sections. Time lines are used to illustrate the modes.

Figure 21-8 shows how to interpret the time-line figures. Data transmitted by the master is represented by grey rectangles; data transmitted by the slave is represented by white rectangles. Data transmitted by the USCI module, either as master or slave, is shown by rectangles that are taller than the others.

Actions taken by the USCI module are shown in grey rectangles with an arrow indicating where in the data stream the action occurs. Actions that must be handled with software are indicated with white rectangles with an arrow pointing to where in the data stream the action must take place.

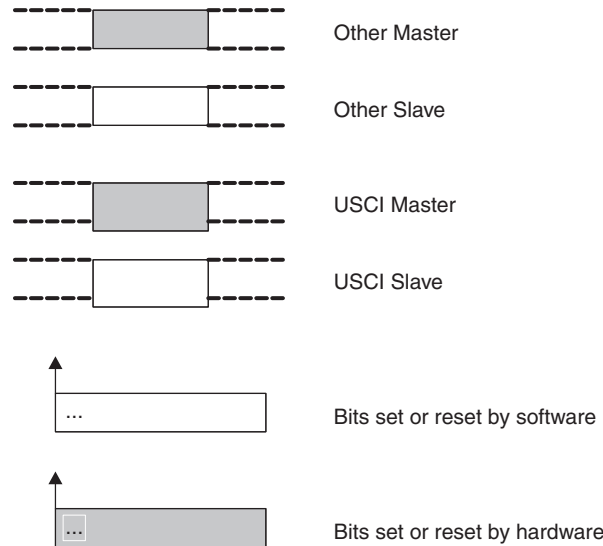


Figure 21-8. I²C Time-Line Legend

21.3.4.1 Slave Mode

The USCI module is configured as an I²C slave by selecting the I²C mode with UCMODEx = 11 and UCSYNC = 1 and clearing the UCMST bit.

Initially, the USCI module must be configured in receiver mode by clearing the UCTR bit to receive the I²C address. Afterwards, transmit and receive operations are controlled automatically, depending on the R/W bit received together with the slave address.

The USCI slave address is programmed with the UCBxI2COA register. When UCA10 = 0, 7-bit addressing is selected. When UCA10 = 1, 10-bit addressing is selected. The UCGCEN bit selects if the slave responds to a general call.

When a START condition is detected on the bus, the USCI module receives the transmitted address and compare it against its own address stored in UCBxI2COA. The UCSTTIFG flag is set when address received matches the USCI slave address.

I²C Slave Transmitter Mode

Slave transmitter mode is entered when the slave address transmitted by the master is identical to its own address with a set R/W bit. The slave transmitter shifts the serial data out on SDA with the clock pulses that are generated by the master device. The slave device does not generate the clock, but it does hold SCL low while intervention of the CPU is required after a byte has been transmitted.

If the master requests data from the slave, the USCI module is automatically configured as a transmitter and UCTR and UCTXIFG become set. The SCL line is held low until the first data to be sent is written into the transmit buffer UCBxTXBUF. Then the address is acknowledged, the UCSTTIFG flag is cleared, and the data is transmitted. As soon as the data is transferred into the shift register, the UCTXIFG is set again. After the data is acknowledged by the master, the next data byte written into UCBxTXBUF is transmitted or, if the buffer is empty, the bus is stalled during the acknowledge cycle by holding SCL low until new data is written into UCBxTXBUF. If the master sends a NACK succeeded by a STOP condition, the UCSTPIFG flag is set. If the NACK is succeeded by a repeated START condition, the USCI I²C state machine returns to its address-reception state.

Figure 21-9 shows the slave transmitter operation.

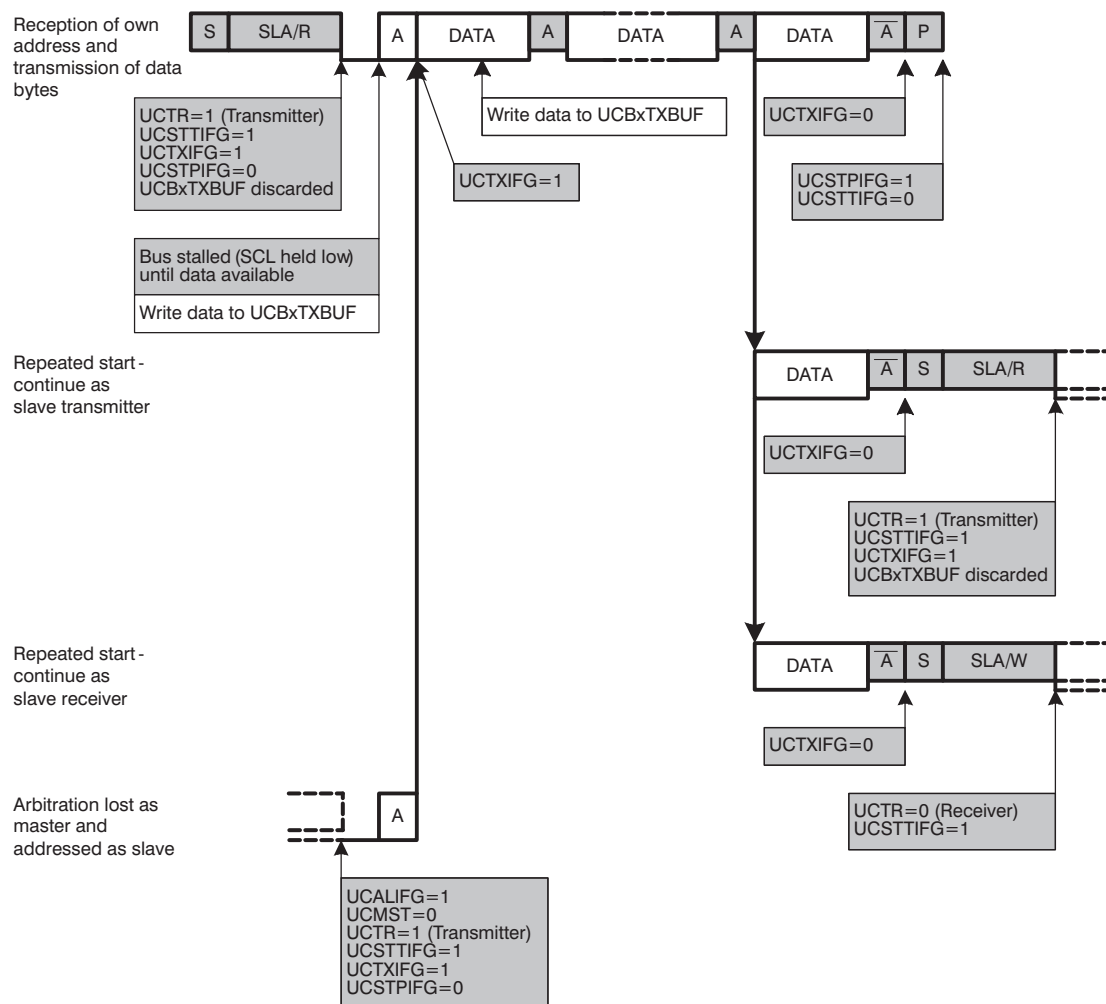


Figure 21-9. I²C Slave Transmitter Mode

I²C Slave Receiver Mode

Slave receiver mode is entered when the slave address transmitted by the master is identical to its own address and a cleared R/W bit is received. In slave receiver mode, serial data bits received on SDA are shifted in with the clock pulses that are generated by the master device. The slave device does not generate the clock, but it can hold SCL low if intervention of the CPU is required after a byte has been received.

If the slave should receive data from the master, the USCI module is automatically configured as a receiver and UCTR is cleared. After the first data byte is received, the receive interrupt flag UCRXIFG is set. The USCI module automatically acknowledges the received data and can receive the next data byte.

If the previous data was not read from the receive buffer UCBxRXBUF at the end of a reception, the bus is stalled by holding SCL low. As soon as UCBxRXBUF is read, the new data is transferred into UCBxRXBUF, an acknowledge is sent to the master, and the next data can be received.

Setting the UCTXNACK bit causes a NACK to be transmitted to the master during the next acknowledgment cycle. A NACK is sent even if UCBxRXBUF is not ready to receive the latest data. If the UCTXNACK bit is set while SCL is held low, the bus is released, a NACK is transmitted immediately, and UCBxRXBUF is loaded with the last received data. Because the previous data was not read, that data is lost. To avoid loss of data, the UCBxRXBUF must be read before UCTXNACK is set.

When the master generates a STOP condition, the UCSTPIFG flag is set.

If the master generates a repeated START condition, the USCI I²C state machine returns to its address reception state.

[Figure 21-10](#) shows the I²C slave receiver operation.

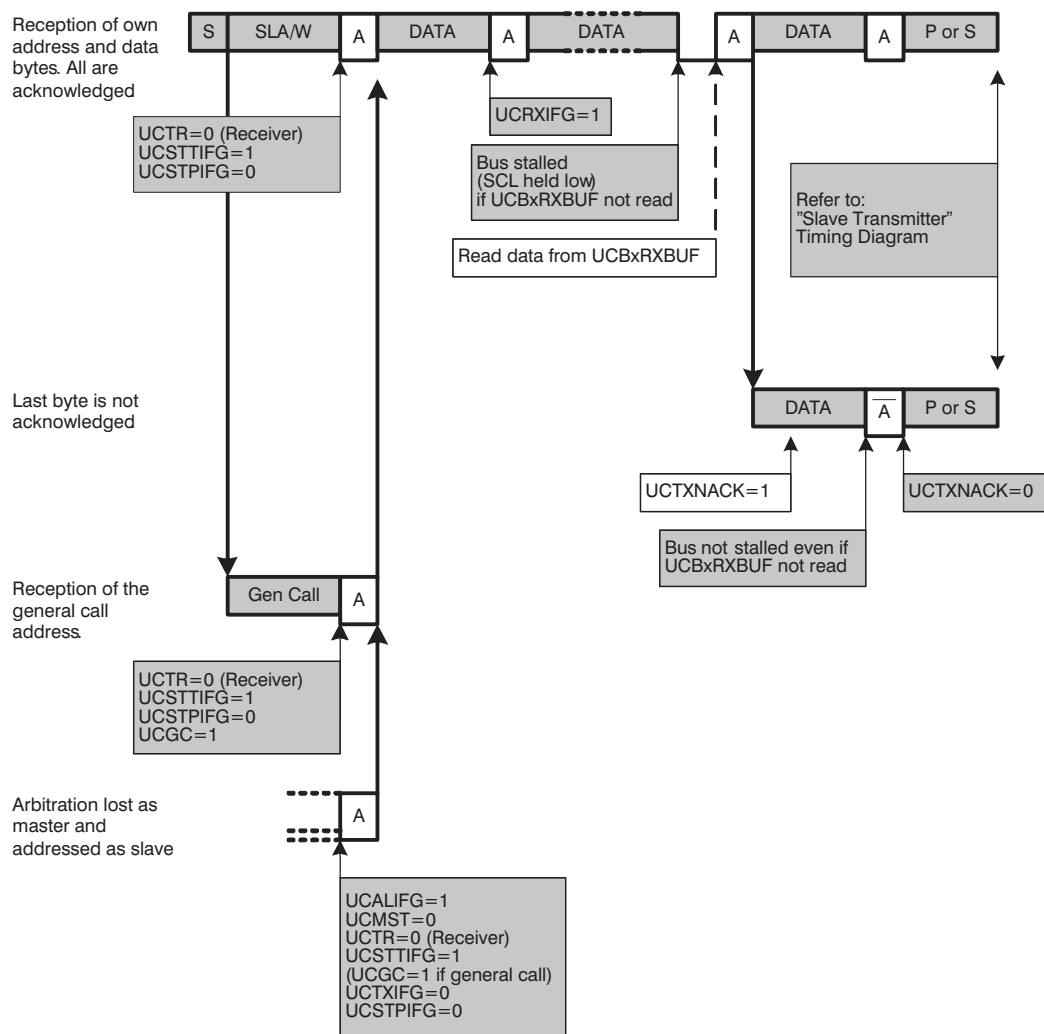


Figure 21-10. I²C Slave Receiver Mode

I²C Slave 10-Bit Addressing Mode

The 10-bit addressing mode is selected when UCA10 = 1 and is as shown in Figure 21-11. In 10-bit addressing mode, the slave is in receive mode after the full address is received. The USCI module indicates this by setting the UCSTTIFG flag while the UCTR bit is cleared. To switch the slave into transmitter mode, the master sends a repeated START condition together with the first byte of the address but with the R/W bit set. This sets the UCSTTIFG flag if it was previously cleared by software, and the USCI module switches to transmitter mode with UCTR = 1.

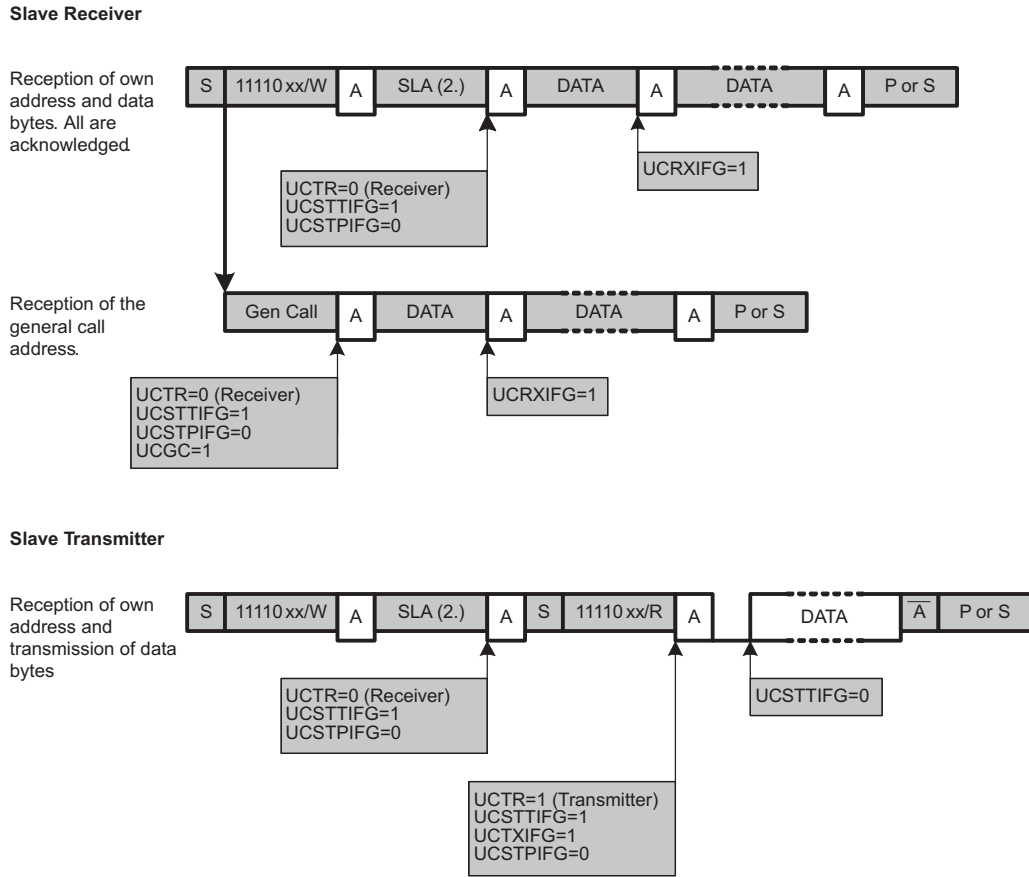


Figure 21-11. I²C Slave 10-Bit Addressing Mode

21.3.4.2 Master Mode

The USCI module is configured as an I²C master by selecting the I²C mode with UCMODEx = 11 and UCSYNC = 1 and setting the UCMST bit. When the master is part of a multi-master system, UCMMM must be set and its own address must be programmed into the UCBxI2COA register. When UCA10 = 0, 7-bit addressing is selected. When UCA10 = 1, 10-bit addressing is selected. The UCGCEN bit selects if the USCI module responds to a general call.

I²C Master Transmitter Mode

After initialization, master transmitter mode is initiated by writing the desired slave address to the UCBxI2CSA register, selecting the size of the slave address with the UCLSA10 bit, setting UCTR for transmitter mode, and setting UCTXSTT to generate a START condition.

The USCI module checks if the bus is available, generates the START condition, and transmits the slave address. The UCTXIFG bit is set when the START condition is generated and the first data to be transmitted can be written into UCBxTXBUF. As soon as the slave acknowledges the address, the UCTXSTT bit is cleared.

NOTE: Handling of TXIFG in a multi-master system

In a multi-master system (UCMM =1), if the bus is unavailable, the USCI module waits and checks for bus release. Bus unavailability can occur even after the UCTXSTT bit has been set. While waiting for the bus to become available, the USCI may update the TXIFG based on SCL clock line activity. Checking the UCTXSTT bit to verify if the START condition has been sent ensures that the TXIFG is being serviced correctly.

The data written into UCBxTXBUF is transmitted if arbitration is not lost during transmission of the slave address. UCTXIFG is set again as soon as the data is transferred from the buffer into the shift register. If there is no data loaded to UCBxTXBUF before the acknowledge cycle, the bus is held during the acknowledge cycle with SCL low until data is written into UCBxTXBUF. Data is transmitted or the bus is held, as long as the UCTXSTP bit or UCTXSTT bit is not set.

Setting UCTXSTP generates a STOP condition after the next acknowledge from the slave. If UCTXSTP is set during the transmission of the slave's address or while the USCI module waits for data to be written into UCBxTXBUF, a STOP condition is generated, even if no data was transmitted to the slave. When transmitting a single byte of data, the UCTXSTP bit must be set while the byte is being transmitted or anytime after transmission begins, without writing new data into UCBxTXBUF. Otherwise, only the address is transmitted. When the data is transferred from the buffer to the shift register, UCTXIFG is set, indicating data transmission has begun, and the UCTXSTP bit may be set.

Setting UCTXSTT generates a repeated START condition. In this case, UCTR may be set or cleared to configure transmitter or receiver, and a different slave address may be written into UCBxI2CSA if desired.

If the slave does not acknowledge the transmitted data, the not-acknowledge interrupt flag UCNACKIFG is set. The master must react with either a STOP condition or a repeated START condition. If data was already written into UCBxTXBUF, it is discarded. If this data should be transmitted after a repeated START, it must be written into UCBxTXBUF again. Any set UCTXSTT is also discarded. To trigger a repeated START, UCTXSTT must be set again.

Figure 21-12 shows the I²C master transmitter operation.

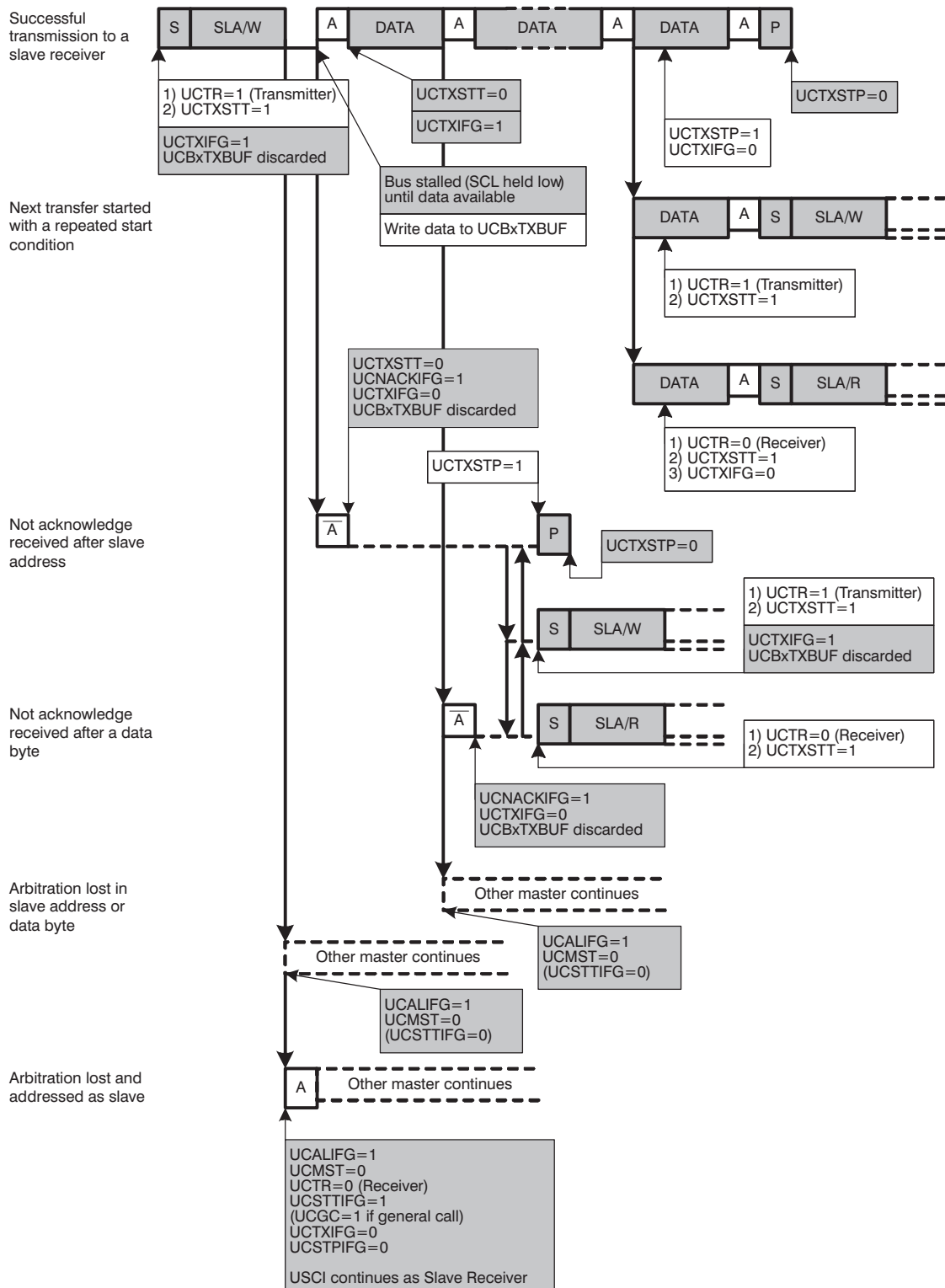


Figure 21-12. I²C Master Transmitter Mode

I²C Master Receiver Mode

After initialization, master receiver mode is initiated by writing the desired slave address to the UCBxI2CSA register, selecting the size of the slave address with the UCSLA10 bit, clearing UCTR for receiver mode, and setting UCTXSTT to generate a START condition.

The USCI module checks if the bus is available, generates the START condition, and transmits the slave address. As soon as the slave acknowledges the address, the UCTXSTT bit is cleared.

After the acknowledge of the address from the slave, the first data byte from the slave is received and acknowledged and the UCRXIFG flag is set. Data is received from the slave, as long as UCTXSTP or UCTXSTT is not set. If UCBxRXBUF is not read, the master holds the bus during reception of the last data bit and until the UCBxRXBUF is read.

If the slave does not acknowledge the transmitted address, the not-acknowledge interrupt flag UCNACKIFG is set. The master must react with either a STOP condition or a repeated START condition.

Setting the UCTXSTP bit generates a STOP condition. After setting UCTXSTP, a NACK followed by a STOP condition is generated after reception of the data from the slave, or immediately if the USCI module is currently waiting for UCBxRXBUF to be read.

If a master wants to receive a single byte only, the UCTXSTP bit must be set while the byte is being received. For this case, the UCTXSTT may be polled to determine when it is cleared:

```

        BIS.B    #UCTXSTT, &UCB0CTL1    ;Transmit START cond.
POLL_STT  BIT.B    #UCTXSTT, &UCB0CTL1    ;Poll UCTXSTT bit
        JC      POLL_STT                ;When cleared,
        BIS.B    #UCTXSTP, &UCB0CTL1    ;transmit STOP cond.

```

Setting UCTXSTT generates a repeated START condition. In this case, UCTR may be set or cleared to configure transmitter or receiver, and a different slave address may be written into UCBxI2CSA if desired.

NOTE: Repeated START

The UCTXSTT bit must be set before the last data byte is received; that is, immediately after the UCRXIFG is set and the UCRXBUF with the second to last byte is read, the UCTXSTT bit should be set.

NOTE: Consecutive master transactions without repeated START

When performing multiple consecutive I²C master transactions without the repeated START feature, the current transaction must be completed before the next one is initiated. This can be done by ensuring that the transmit STOP condition flag UCTXSTP is cleared before the next I²C transaction is initiated with setting UCTXSTT = 1. Otherwise, the current transaction might be affected.

Figure 21-13 shows the I²C master receiver operation.

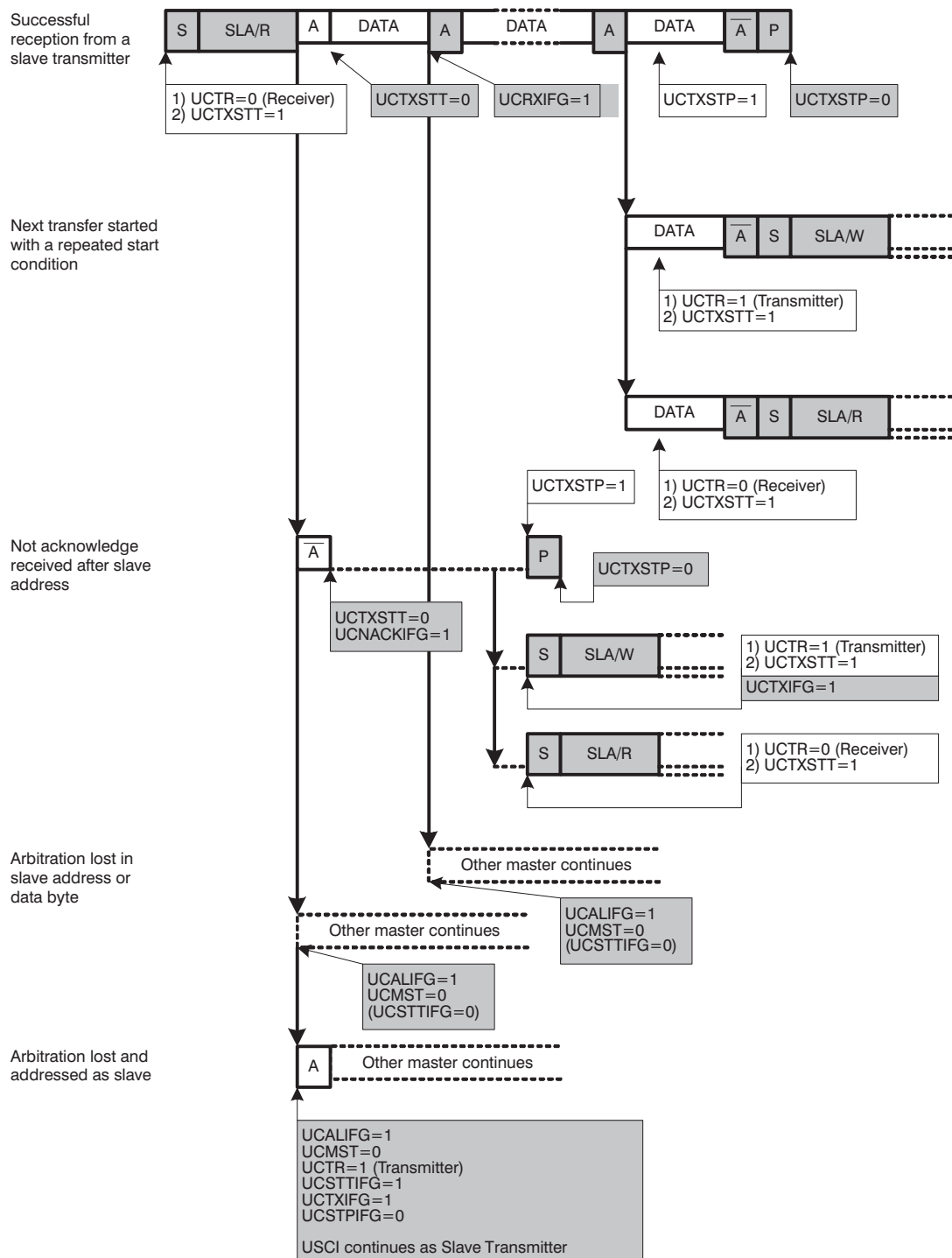
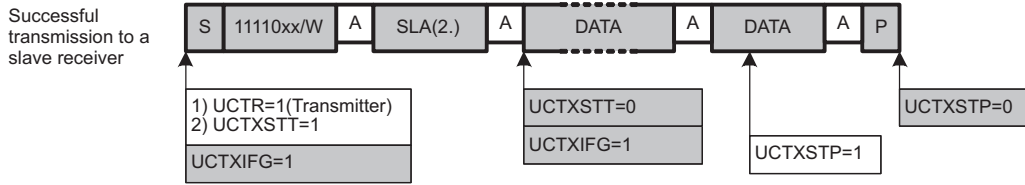


Figure 21-13. I²C Master Receiver Mode

I²C Master 10-Bit Addressing Mode

The 10-bit addressing mode is selected when UCCLA10 = 1 and is shown in Figure 21-14.

Master Transmitter



Master Receiver

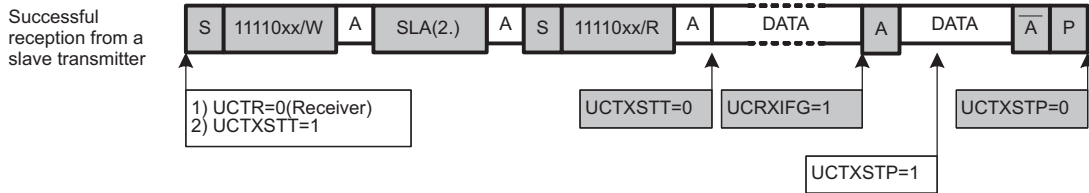


Figure 21-14. I²C Master 10-Bit Addressing Mode

21.3.4.3 Arbitration

If two or more master transmitters simultaneously start a transmission on the bus, an arbitration procedure is invoked. Figure 21-15 shows the arbitration procedure between two devices. The arbitration procedure uses the data presented on SDA by the competing transmitters. The first master transmitter that generates a logic high is overruled by the opposing master generating a logic low. The arbitration procedure gives priority to the device that transmits the serial data stream with the lowest binary value. The master transmitter that lost arbitration switches to the slave receiver mode and sets the arbitration lost flag UCALIFG. If two or more devices send identical first bytes, arbitration continues on the subsequent bytes.

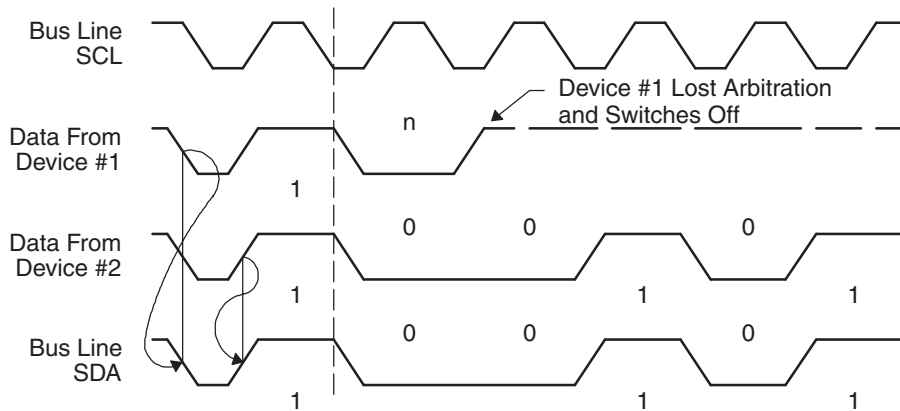


Figure 21-15. Arbitration Procedure Between Two Master Transmitters

If the arbitration procedure is in progress when a repeated START condition or STOP condition is transmitted on SDA, the master transmitters involved in arbitration must send the repeated START condition or STOP condition at the same position in the format frame. Arbitration is not allowed between:

- A repeated START condition and a data bit
- A STOP condition and a data bit
- A repeated START condition and a STOP condition

21.3.5 I²C Clock Generation and Synchronization

The I²C clock SCL is provided by the master on the I²C bus. When the USCI is in master mode, BITCLK is provided by the USCI bit clock generator and the clock source is selected with the UCSSELx bits. In slave mode, the bit clock generator is not used and the UCSSELx bits are don't care.

The 16-bit value of UCBRx in registers UCBxBR1 and UCBxBR0 is the division factor of the USCI clock source, BRCLK. The maximum bit clock that can be used in single master mode is $f_{BRCLK}/4$. In multi-master mode, the maximum bit clock is $f_{BRCLK}/8$. The BITCLK frequency is given by:

$$f_{\text{BitClock}} = f_{\text{BRCLK}} / \text{UCBRx}$$

The minimum high and low periods of the generated SCL are:

$$t_{\text{LOW,MIN}} = t_{\text{HIGH,MIN}} = (\text{UCBRx}/2) / f_{\text{BRCLK}} \text{ when UCBRx is even}$$

$$t_{\text{LOW,MIN}} = t_{\text{HIGH,MIN}} = (\text{UCBRx} - 1/2) / f_{\text{BRCLK}} \text{ when UCBRx is odd}$$

The USCI clock source frequency and the prescaler setting UCBRx must to be chosen such that the minimum low and high period times of the I²C specification are met.

During the arbitration procedure the clocks from the different masters must be synchronized. A device that first generates a low period on SCL overrules the other devices, forcing them to start their own low periods. SCL is then held low by the device with the longest low period. The other devices must wait for SCL to be released before starting their high periods. Figure 21-16 shows the clock synchronization. This allows a slow slave to slow down a fast master.

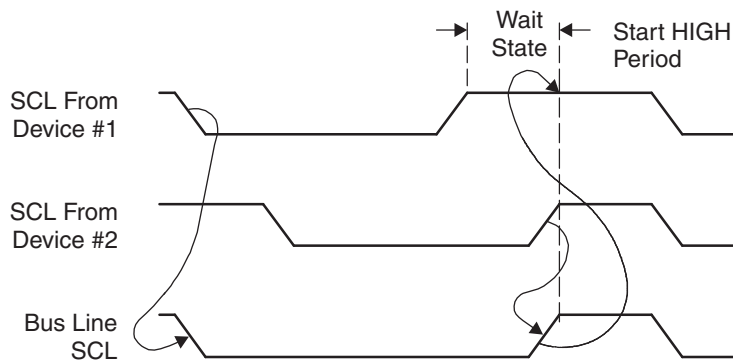


Figure 21-16. Synchronization of Two I²C Clock Generators During Arbitration

21.3.5.1 Clock Stretching

The USCI module supports clock stretching and also makes use of this feature as described in the Operation Mode sections.

The UCSCLOW bit can be used to observe if another device pulls SCL low while the USCI module already released SCL due to the following conditions:

- USCI is acting as master and a connected slave drives SCL low.
- USCI is acting as master and another master drives SCL low during arbitration.

The UCSCLOW bit is also active if the USCI holds SCL low because it is waiting as transmitter for data being written into UCBxTXBUF or as receiver for the data being read from UCBxRXBUF.

The UCSCLOW bit might get set for a short time with each rising SCL edge because the logic observes the external SCL and compares it to the internally generated SCL.

21.3.6 Using the USCI Module in I²C Mode With Low-Power Modes

The USCI module provides automatic clock activation for use with low-power modes. When the USCI clock source is inactive because the device is in a low-power mode, the USCI module automatically activates it when needed, regardless of the control-bit settings for the clock source. The clock remains active until the USCI module returns to its idle condition. After the USCI module returns to the idle condition, control of the clock source reverts to the settings of its control bits.

In I²C slave mode, no internal clock source is required because the clock is provided by the external master. It is possible to operate the USCI in I²C slave mode while the device is in LPM4 and all internal clock sources are disabled. The receive or transmit interrupts can wake up the CPU from any low-power mode.

21.3.7 USCI Interrupts in I²C Mode

The USCI has only one interrupt vector that is shared for transmission, reception, and the state change. USCI_Ax and USC_Bx do not share the same interrupt vector.

Each interrupt flag has its own interrupt enable bit. When an interrupt is enabled and the GIE bit is set, the interrupt flag generates an interrupt request. DMA transfers are controlled by the UCTXIFG and UCRXIFG flags on devices with a DMA controller.

21.3.7.1 I²C Transmit Interrupt Operation

The UCTXIFG interrupt flag is set by the transmitter to indicate that UCBxTXBUF is ready to accept another character. An interrupt request is generated if UCTXIE and GIE are also set. UCTXIFG is automatically reset if a character is written to UCBxTXBUF or if a NACK is received. UCTXIFG is set when UCSWRST = 1 and the I²C mode is selected. UCTXIE is reset after a PUC or when UCSWRST = 1.

21.3.7.2 I²C Receive Interrupt Operation

The UCRXIFG interrupt flag is set when a character is received and loaded into UCBxRXBUF. An interrupt request is generated if UCRXIE and GIE are also set. UCRXIFG and UCRXIE are reset after a PUC signal or when UCSWRST = 1. UCRXIFG is automatically reset when UCxRXBUF is read.

21.3.7.3 I²C State Change Interrupt Operation

Table 21-1 describes the I²C state change interrupt flags.

Table 21-1. I²C State Change Interrupt Flags

Interrupt Flag	Interrupt Condition
UCALIFG	Arbitration-lost. Arbitration can be lost when two or more transmitters start a transmission simultaneously, or when the USCI operates as master but is addressed as a slave by another master in the system. The UCALIFG flag is set when arbitration is lost. When UCALIFG is set, the UCMST bit is cleared and the I ² C controller becomes a slave.
UCNACKIFG	Not-acknowledge interrupt. This flag is set when an acknowledge is expected but is not received. UCNACKIFG is automatically cleared when a START condition is received.
UCSTTIFG	START condition detected interrupt. This flag is set when the I ² C module detects a START condition together with its own address while in slave mode. UCSTTIFG is used in slave mode only and is automatically cleared when a STOP condition is received.
UCSTPIFG	STOP condition detected interrupt. This flag is set when the I ² C module detects a STOP condition while in slave mode. UCSTPIFG is used in slave mode only and is automatically cleared when a START condition is received.

21.3.7.4 UCBxIV, Interrupt Vector Generator

The USCI interrupt flags are prioritized and combined to source a single interrupt vector. The interrupt vector register UCBxIV is used to determine which flag requested an interrupt. The highest-priority enabled interrupt generates a number in the UCBxIV register that can be evaluated or added to the PC to automatically enter the appropriate software routine. Disabled interrupts do not affect the UCBxIV value.

Any access, read or write, of the UCBxIV register automatically resets the highest-pending interrupt flag. If another interrupt flag is set, another interrupt is immediately generated after servicing the initial interrupt.

UCBxIV Software Example

The following software example shows the recommended use of UCBxIV. The UCBxIV value is added to the PC to automatically jump to the appropriate routine. The example is given for USCI_B0.

```

USCI_I2C_ISR
    ADD        &UCB0IV, PC    ; Add offset to jump table
    RETI                               ; Vector 0: No interrupt
    JMP        ALIFG_ISR      ; Vector 2: ALIFG
    JMP        NACKIFG_ISR    ; Vector 4: NACKIFG
    JMP        STTIFG_ISR     ; Vector 6: STTIFG
    JMP        STPIFG_ISR     ; Vector 8: STPIFG
    JMP        RXIFG_ISR      ; Vector 10: RXIFG
TXIFG_ISR                                ; Vector 12
    ...                                ; Task starts here
    RETI                               ; Return
ALIFG_ISR                                ; Vector 2
    ...                                ; Task starts here
    RETI                               ; Return
NACKIFG_ISR                              ; Vector 4
    ...                                ; Task starts here
    RETI                               ; Return
STTIFG_ISR                               ; Vector 6
    ...                                ; Task starts here
    RETI                               ; Return
STPIFG_ISR                              ; Vector 8
    ...                                ; Task starts here
    RETI                               ; Return
RXIFG_ISR                                ; Vector 10
    ...                                ; Task starts here
    RETI                               ; Return
    
```

21.4 USCI_B I2C Mode Registers

The USCI registers applicable in I2C mode are listed in [Table 21-2](#). The base address can be found in the device-specific data sheet. The address offsets are listed in [Table 21-2](#).

Table 21-2. USCI_B Registers

Offset	Acronym	Register Name	Type	Access	Reset	Section
00h	UCBxCTLW0	USCI_Bx Control Word 0	Read/write	Word	0101h	
00h	UCBxCTL1	USCI_Bx Control 1	Read/write	Byte	01h	Section 21.4.2
01h	UCBxCTL0	USCI_Bx Control 0	Read/write	Byte	01h	Section 21.4.1
06h	UCBxBRW	USCI_Bx Bit Rate Control Word	Read/write	Word	0000h	
06h	UCBxBR0	USCI_Bx Bit Rate Control 0	Read/write	Byte	00h	Section 21.4.3
07h	UCBxBR1	USCI_Bx Bit Rate Control 1	Read/write	Byte	00h	Section 21.4.4
0Ah	UCBxSTAT	USCI_Bx Status	Read/write	Byte	00h	Section 21.4.5
0Bh		Reserved - reads zero	Read	Byte	00h	
0Ch	UCBxRXBUF	USCI_Bx Receive Buffer	Read/write	Byte	00h	Section 21.4.6
0Dh		Reserved - reads zero	Read	Byte	00h	
0Eh	UCBxTXBUF	USCI_Bx Transmit Buffer	Read/write	Byte	00h	Section 21.4.7
0Fh		Reserved - reads zero	Read	Byte	00h	
10h	UCBxI2COA	USCI_Bx I2C Own Address	Read/write	Word	0000h	Section 21.4.8
12h	UCBxI2CSA	USCI_Bx I2C Slave Address	Read/write	Word	0000h	Section 21.4.9
1Ch	UCBxICTL	USCI_Bx Interrupt Control	Read/write	Word	0200h	
1Ch	UCBxIE	USCI_Bx Interrupt Enable	Read/write	Byte	00h	Section 21.4.10
1Dh	UCBxIFG	USCI_Bx Interrupt Flag	Read/write	Byte	02h	Section 21.4.11
1Eh	UCBxIV	USCI_Bx Interrupt Vector	Read	Word	0000h	Section 21.4.12

21.4.1 UCBxCTL0 Register

USCI_Bx Control Register 0

Figure 21-17. UCBxCTL0 Register

7	6	5	4	3	2	1	0
UCA10	UCSLA10	UCMM	Reserved	UCMST	UCMODEx		UCSYNC
rw-0	rw-0	rw-0	rw-0	rw-0	rw-0	rw-0	r-1
<div style="background-color: #cccccc; display: inline-block; width: 100px; height: 1em; vertical-align: middle;"></div> Modify only when UCSWRST = 1.							

Table 21-3. UCBxCTL0 Register Description

Bit	Field	Type	Reset	Description
7	UCA10	RW	0h	Own addressing mode select 0b = Own address is a 7-bit address 1b = Own address is a 10-bit address
6	UCSLA10	RW	0h	Slave addressing mode select 0b = Address slave with 7-bit address 1b = Address slave with 10-bit address
5	UCMM	RW	0h	Multi-master environment select 0b = Single master environment. There is no other master in the system. The address compare unit is disabled. 1b = Multi-master environment
4	Reserved	R	0h	Reserved. Always reads as 0.
3	UCMST	RW	0h	Master mode select. When a master loses arbitration in a multi-master environment (UCMM = 1), the UCMST bit is automatically cleared and the module acts as slave. 0b = Slave mode 1b = Master mode
2-1	UCMODEx	RW	0h	USCI mode. The UCMODEx bits select the synchronous mode when UCSYNC = 1. 00b = 3-pin SPI 01b = 4-pin SPI (master/slave enabled if STE = 1) 10b = 4-pin SPI (master/slave enabled if STE = 0) 11b = I2C mode
0	UCSYNC	R	1h	Synchronous mode enable 0b = Asynchronous mode 1b = Synchronous mode

21.4.2 UCBxCTL1 Register

USCI_Bx Control Register 1

Figure 21-18. UCBxCTL1 Register

7	6	5	4	3	2	1	0
UCSSELx		Reserved	UCTR	UCTXNACK	UCTXSTP	UCTXSTT	UCSWRST
rw-0	rw-0	r0	rw-0	rw-0	rw-0	rw-0	rw-1
<div style="background-color: #cccccc; display: inline-block; width: 100px; height: 1em; vertical-align: middle;"></div> Modify only when UCSWRST = 1.							

Table 21-4. UCBxCTL1 Register Description

Bit	Field	Type	Reset	Description
7-6	UCSSELx	RW	0h	USCI clock source select. These bits select the BRCLK source clock. 00b = UCLKI 01b = ACLK 10b = SMCLK 11b = SMCLK
5	Reserved	RW	0h	Reserved. Always reads as 0.
4	UCTR	RW	0h	Transmitter or receiver 0b = Receiver 1b = Transmitter
3	UCTXNACK	RW	0h	Transmit a NACK. UCTXNACK is automatically cleared after a NACK is transmitted. 0b = Acknowledge normally 1b = Generate NACK
2	UCTXSTP	RW	0h	Transmit STOP condition in master mode. Ignored in slave mode. In master receiver mode, the STOP condition is preceded by a NACK. UCTXSTP is automatically cleared after STOP is generated. 0b = No STOP generated 1b = Generate STOP
1	UCTXSTT	RW	0h	Transmit START condition in master mode. Ignored in slave mode. In master receiver mode, a repeated START condition is preceded by a NACK. UCTXSTT is automatically cleared after START condition and address information is transmitted. Ignored in slave mode. 0b = Do not generate START condition 1b = Generate START condition
0	UCSWRST	RW	1h	Software reset enable 0b = Disabled. USCI reset released for operation. 1b = Enabled. USCI logic held in reset state.

21.4.3 UCBxBR0 Register

USCI_Bx Baud Rate Control Register 0

Figure 21-19. UCBxBR0 Register

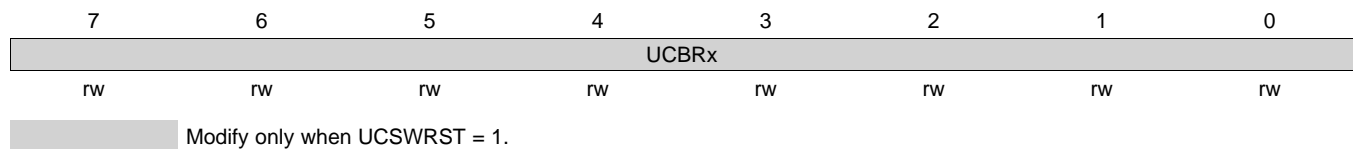


Table 21-5. UCBxBR0 Register Description

Bit	Field	Type	Reset	Description
7-0	UCBRx	RW	undefined	Bit clock prescaler low byte. The 16-bit value of (UCxxBR0 + UCxxBR1 × 256) forms the prescaler value UCBRx.

21.4.4 UCBxBR1 Register

USCI_Bx Baud Rate Control Register 1

Figure 21-20. UCBxBR1 Register

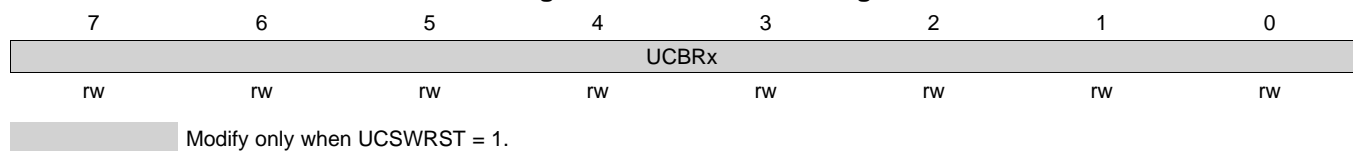


Table 21-6. UCBxBR1 Register Description

Bit	Field	Type	Reset	Description
7-0	UCBRx	RW	undefined	Bit clock prescaler high byte. The 16-bit value of (UCxxBR0 + UCxxBR1 × 256) forms the prescaler value UCBRx.

21.4.5 UCBxSTAT Register

USCI_Bx Status Register

Figure 21-21. UCBxSTAT Register

7	6	5	4	3	2	1	0
Reserved	UCSCLLOW	UCGC	UCBBUSY	Reserved			
rw-0	r-0	rw-0	r-0	r0	r0	r0	r0

Table 21-7. UCBxSTAT Register Description

Bit	Field	Type	Reset	Description
7	Reserved	RW	0h	Reserved. Always reads as 0.
6	UCSCLLOW	R	0h	SCL low 0b = SCL is not held low. 1b = SCL is held low.
5	UCGC	RW	0h	General call address received. UCGC is automatically cleared when a START condition is received. 0b = No general call address received 1b = General call address received
4	UCBBUSY	R	0h	Bus busy 0b = Bus inactive 1b = Bus busy
3-0	Reserved	R	0h	Reserved. Always reads as 0.

21.4.6 UCBxRXBUF Register

USCI_Bx Receive Buffer Register

Figure 21-22. UCBxRXBUF Register



Table 21-8. UCBxRXBUF Register Description

Bit	Field	Type	Reset	Description
7-0	UCRXBUFx	R	undefined	The receive-data buffer is user accessible and contains the last received character from the receive shift register. Reading UCBxRXBUF resets UCRXIFG.

21.4.7 UCBxTXBUF Register

USCI_Bx Transmit Buffer Register

Figure 21-23. UCBxTXBUF Register

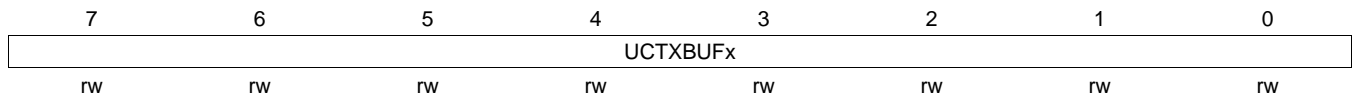


Table 21-9. UCBxTXBUF Register Description

Bit	Field	Type	Reset	Description
7-0	UCTXBUFx	RW	undefined	The transmit data buffer is user accessible and holds the data waiting to be moved into the transmit shift register and transmitted. Writing to the transmit data buffer clears UCTXIFG.

21.4.8 UCBxI2COA Register

USCIBx I2C Own Address Register

Figure 21-24. UCBxI2COA Register

15	14	13	12	11	10	9	8
UCGCEN	Reserved					I2COAx	
rw-0	r0	r0	r0	r0	r0	rw-0	rw-0
7	6	5	4	3	2	1	0
I2COAx							
rw-0	rw-0	rw-0	rw-0	rw-0	rw-0	rw-0	rw-0

Modify only when UCSWRST = 1.

Table 21-10. UCBxI2COA Register Description

Bit	Field	Type	Reset	Description
15	UCGCEN	RW	0h	General call response enable 0b = Do not respond to a general call 1b = Respond to a general call
14-10	Reserved	R	0h	Reserved. Always reads as 0.
9-0	I2COAx	RW	0h	I2C own address. The I2COAx bits contain the local address of the USCI_Bx I2C controller. The address is right justified. In 7-bit addressing mode, bit 6 is the MSB and bits 9-7 are ignored. In 10-bit addressing mode, bit 9 is the MSB.

21.4.9 UCBxI2CSA Register

USCI_Bx I2C Slave Address Register

Figure 21-25. UCBxI2CSA Register

15	14	13	12	11	10	9	8
Reserved					I2CSAx		
r0	r0	r0	r0	r0	r0	rw-0	rw-0
7	6	5	4	3	2	1	0
I2CSAx							
rw-0	rw-0	rw-0	rw-0	rw-0	rw-0	rw-0	rw-0

Table 21-11. UCBxI2CSA Register Description

Bit	Field	Type	Reset	Description
15-10	Reserved	R	0h	Reserved. Always reads as 0.
9-0	I2CSAx	RW	0h	I2C slave address. The I2CSAx bits contain the slave address of the external device to be addressed by the USCI_Bx module. It is only used in master mode. The address is right justified. In 7-bit slave addressing mode, bit 6 is the MSB and bits 9-7 are ignored. In 10-bit slave addressing mode, bit 9 is the MSB.

21.4.10 UCBxIE Register

USCI_Bx I2C Interrupt Enable Register

Figure 21-26. UCBxIE Register

7	6	5	4	3	2	1	0
Reserved		UCNACKIE	UCALIE	UCSTPIE	UCSTTIE	UCTXIE	UCRXIE
r-0		r-0	rw-0	rw-0	rw-0	rw-0	rw-0

Table 21-12. UCBxIE Register Description

Bit	Field	Type	Reset	Description
7-6	Reserved	R	0h	Reserved. Always reads as 0.
5	UCNACKIE	RW	0h	Not-acknowledge interrupt enable 0b = Interrupt disabled 1b = Interrupt enabled
4	UCALIE	RW	0h	Arbitration lost interrupt enable 0b = Interrupt disabled 1b = Interrupt enabled
3	UCSTPIE	RW	0h	STOP condition interrupt enable 0b = Interrupt disabled 1b = Interrupt enabled
2	UCSTTIE	RW	0h	START condition interrupt enable 0b = Interrupt disabled 1b = Interrupt enabled
1	UCTXIE	RW	0h	Transmit interrupt enable 0b = Interrupt disabled 1b = Interrupt enabled
0	UCRXIE	RW	0h	Receive interrupt enable 0b = Interrupt disabled 1b = Interrupt enabled

21.4.11 UCBxIFG Register

USCI_Bx I2C Interrupt Flag Register

Figure 21-27. UCBxIFG Register

7	6	5	4	3	2	1	0
Reserved		UCNACKIFG	UCALIFG	UCSTPIFG	UCSTTIFG	UCTXIFG	UCRXIFG
r-0	r-0	rw-0	rw-0	rw-0	rw-0	rw-1	rw-0

Table 21-13. UCBxIFG Register Description

Bit	Field	Type	Reset	Description
7-6	Reserved	R	0h	Reserved. Always reads as 0.
5	UCNACKIFG	RW	0h	Not-acknowledge received interrupt flag. UCNACKIFG is automatically cleared when a START condition is received. 0b = No interrupt pending 1b = Interrupt pending
4	UCALIFG	RW	0h	Arbitration lost interrupt flag 0b = No interrupt pending 1b = Interrupt pending
3	UCSTPIFG	RW	0h	STOP condition interrupt flag. UCSTPIFG is automatically cleared when a START condition is received. 0b = No interrupt pending 1b = Interrupt pending
2	UCSTTIFG	RW	0h	START condition interrupt flag. UCSTTIFG is automatically cleared if a STOP condition is received. 0b = No interrupt pending 1b = Interrupt pending
1	UCTXIFG	RW	0h	USCI transmit interrupt flag. UCTXIFG is set when UCBxTXBUF is empty. 0b = No interrupt pending 1b = Interrupt pending
0	UCRXIFG	RW	0h	USCI receive interrupt flag. UCRXIFG is set when UCBxRXBUF has received a complete character. 0b = No interrupt pending 1b = Interrupt pending

21.4.12 UCBxIV Register

USCI_Bx Interrupt Vector Register

Figure 21-28. UCBxIV Register

15	14	13	12	11	10	9	8
UCIVx							
r0	r0	r0	r0	r0	r0	r0	r0
7	6	5	4	3	2	1	0
UCIVx							
r0	r0	r0	r0	r-0	r-0	r-0	r0

Table 21-14. UCBxIV Register Description

Bit	Field	Type	Reset	Description
15-0	UCIVx	R	0h	USCI interrupt vector value 00h = No interrupt pending 02h = Interrupt Source: Arbitration lost; Interrupt Flag: UCALIFG; Interrupt Priority: Highest 04h = Interrupt Source: Not acknowledgment; Interrupt Flag: UCNACKIFG 06h = Interrupt Source: Start condition received; Interrupt Flag: UCSTTIFG 08h = Interrupt Source: Stop condition received; Interrupt Flag: UCSTPIFG 0Ah = Interrupt Source: Data received; Interrupt Flag: UCRXIFG 0Ch = Interrupt Source: Transmit buffer empty; Interrupt Flag: UCTXIFG; Interrupt Priority: Lowest



CC1101-Based Radio Module (RF1A)

This chapter describes the RF1A module for frequencies below 1 GHz, which is based on the stand-alone radio device CC1101.

Topic	Page
22.1 Radio Module Introduction	609
22.2 Radio Interface Operation	610
22.3 CC1101-Based Radio Core	622
22.4 RF1A Registers	674

22.1 Radio Module Introduction

The RF1A radio module integrates the sub-1-GHz radio core of the CC1101 into the MSP430 system.

The CC1101-based radio core features a low intermediate frequency (IF) receiver. The received radio frequency (RF) signal is amplified by the low-noise amplifier (LNA) and down-converted in quadrature (I and Q) to the IF. At IF, the in-phase/quadrature-phase (I/Q) signals are digitized by the ADCs. Automatic gain control (AGC), fine channel filtering, and demodulation bit and packet synchronization is performed digitally.

The transmitter part is based on direct synthesis of the RF frequency. The frequency synthesizer includes a completely on-chip LC voltage-controlled oscillator (VCO) and a 90° phase shifter for generating the I and Q local oscillator (LO) signals to the down-conversion mixers in receive mode. A crystal oscillator with a 26-MHz crystal generates the reference frequency for the synthesizer and clocks for the ADC and the digital part. The digital baseband includes support for channel configuration, packet handling, and data buffering.

The features of the CC1101-based radio module are:

- Frequency bands: 300 MHz to 348 MHz, 389 MHz to 464 MHz, and 779 MHz to 928 MHz
- Programmable data rate from 0.8 kBaud to 500 kBaud
- High sensitivity (-110 dBm at 1.2 kBaud, 868 MHz, 1% packet error rate)
- Excellent receiver selectivity and blocking performance
- Programmable output power up to 10 dBm for all supported frequencies
- 2-FSK, 2-GFSK, and MSK supported as well as OOK and flexible ASK shaping
- Flexible support for packet oriented systems: On-chip support for sync word detection, address check, flexible packet length, and automatic CRC handling
- Support for automatic clear channel assessment (CCA) before transmitting (for listen-before-talk systems)
- Digital received signal strength indicator (RSSI) output
- Suited for systems targeting compliance with EN 300 220 (Europe) and FCC CFR Part 15 (US)

A simplified block diagram of the RF1A radio module based on the CC1101 is shown in [Figure 22-1](#).

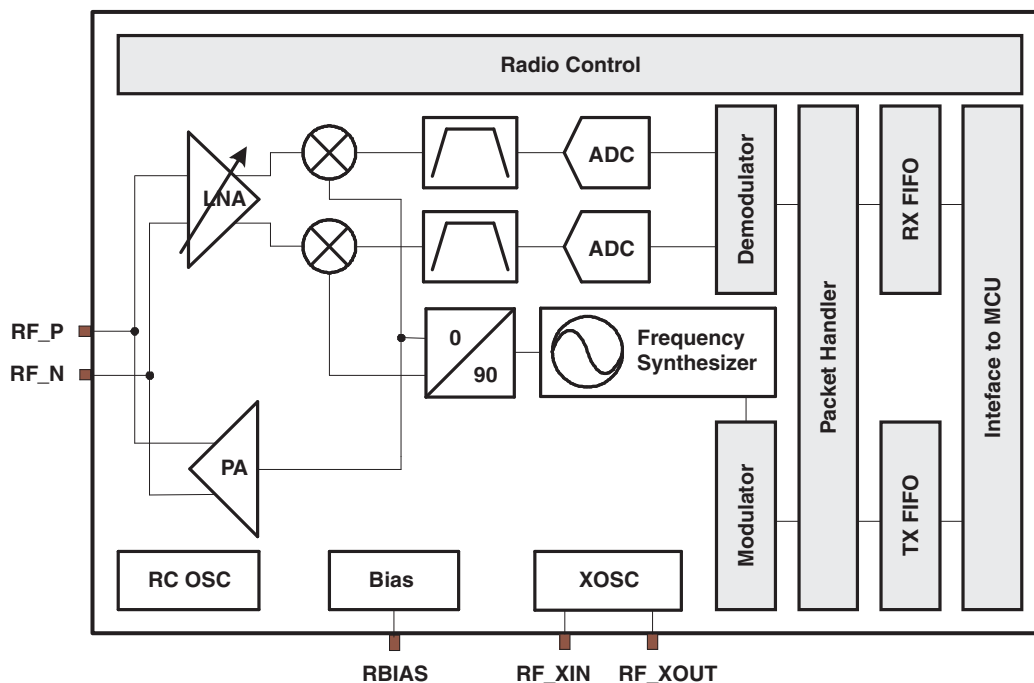


Figure 22-1. Simplified Block Diagram of the CC1101-Based Radio Module

22.2 Radio Interface Operation

The radio core is configured with user software via the radio interface. The radio interface is discussed in the following sections. [Section 22.3](#) describes the radio core and its operation in detail.

22.2.1 Radio Interface

[Figure 22-2](#) gives an overview of the radio interface and its interfaces to the radio core.

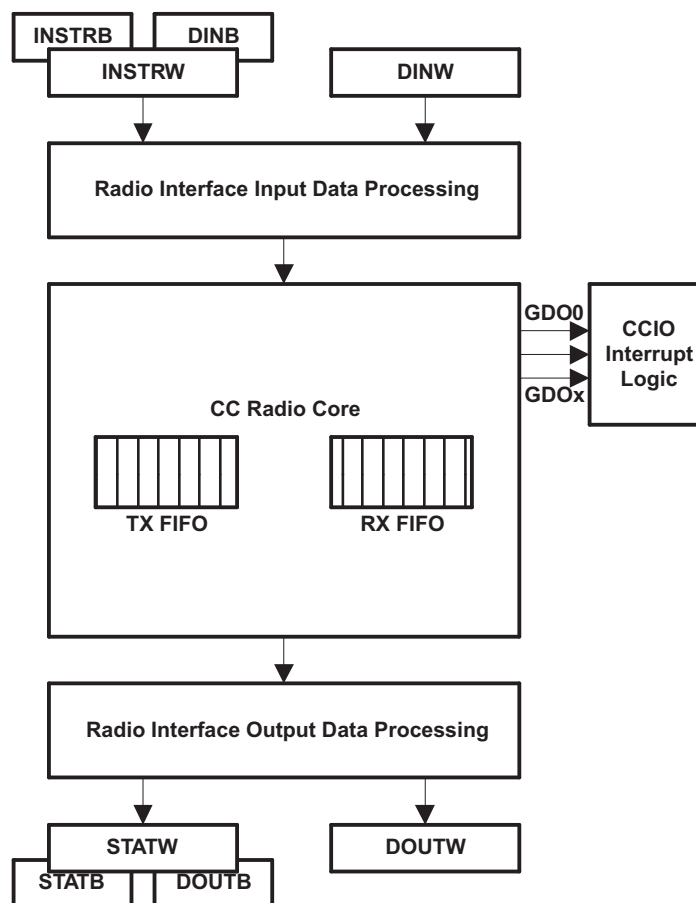


Figure 22-2. Radio Interface Overview

The communication between the radio interface and the radio core takes place via the logical channels shown in [Figure 22-3](#). Every instruction presented to the core results in a status update sent to the interface, and every data byte or word sent to the radio core results in a data byte or word transmitted back to the interface. Depending on the instruction, some data in either direction can be "dummy" or "don't care" data. To avoid "dummy" writes, an auto-read feature is implemented.

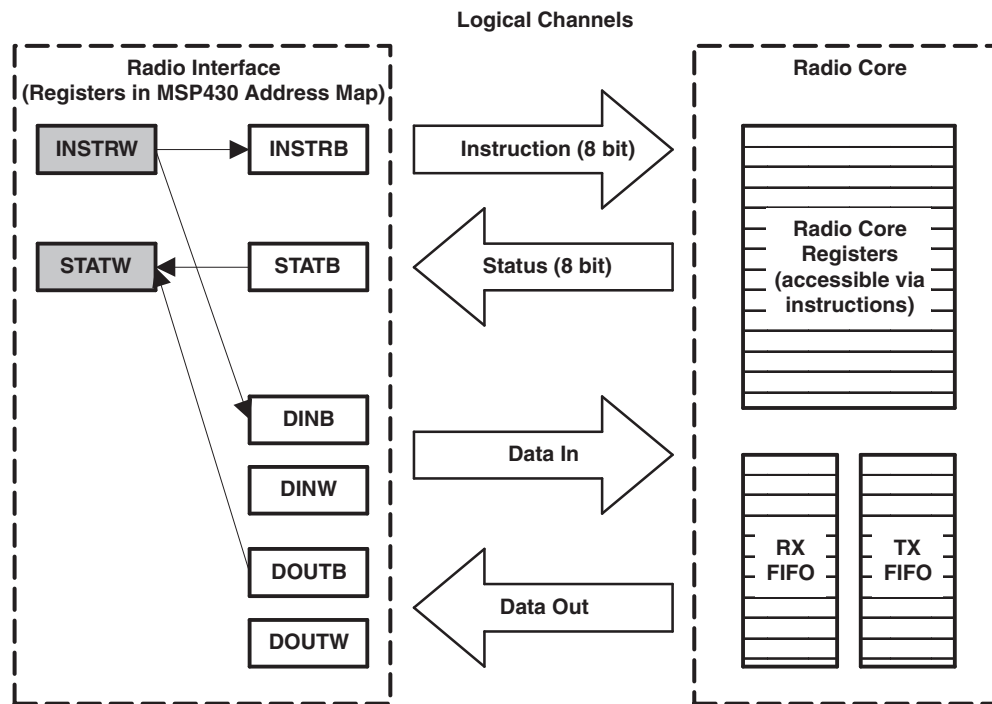


Figure 22-3. Logical Channels Between Radio Interface and Radio Core

22.2.1.1 Instruction and Status Register

The radio core is controlled using instructions written into the RF1AINSTRxW or RF1AINSTRxB registers. Additional data can be provided via the RF1ADINB or RF1ADINW registers (referred to as RF1ADIN registers in the following description). Resulting data can be read from RF1ADOUTxB or RF1ADOUTxW registers (referred to as RF1ADOUT registers in the following description). With each write access to the instruction registers (except for the SRES command strobe), the radio core status is updated and can be read via the RF1ASTATxB or RF1ASTATxW registers (referred to as RF1ASTAT registers in the following description).

Using the RF1AINSTRW register allows the application to provide the instruction together with the first data byte. Any further parameters need to be written into the RF1ADIN registers.

RF1AINSTRB can be used for single-byte instructions (like command strobes) and for all other instructions when all the required parameters are provided separately via the RF1ADIN registers.

The radio core status is updated with each transfer between the radio interface and the core. It can always be read via the byte status register RF1ASTATB.

The RF1ASTATW register can be used in conjunction with the word instruction register RF1AINSTRW. This provides the radio core status updated with the last instruction together with first data byte returned from the radio. If the instruction was written into the byte instruction register RF1AINSTRB reading RF1ASTATW causes an output data error, and the OUTERR flag is set.

The SNOP command strobe can be used to get an updated status without causing further actions.

The SRES command strobe does not provide an updated status. The interface and the radio core are reset.

An instruction is ended by either providing the complete instruction including all required data bytes (for instruction requiring a finite number of bytes) or by writing a new instruction into the instruction register. If an instruction requiring a given (and finite) number of bytes is aborted by writing a new instruction, the operand error flag OPERR is set. The aborted instruction might be partially executed already, causing an unpredictable state of the radio core.

22.2.1.2 Data Registers

Parameters can be passed to the radio core using the word data register RF1ADINW or the byte data register RF1ADINB when the radio core is ready to accept additional data. This is indicated with RFDINIFG = 1. If the radio core is not ready to accept additional data and data is written into one of the RF1ADIN registers, the CPU is stalled for a given number of cycles or until the processing of previous data is completed. If the error condition still remains after the given number of clock cycles, the OPOVERR flag is set and the written data is ignored (also see [Section 22.2.1.3](#)).

The OPERR flag is set if the instruction does not expect more data; that is, if too many operands are provided. The excess operands are ignored.

Using the word data register RF1ADINW, word parameters can be passed to radio core registers using little-endian numbers (the default representation in MSP430 devices) even when the radio core expects big-endian numbers.

When writing words with RFENDIAN = 0, little-endian numbers are converted to the representation required by the radio core, whereas with RFENDIAN = 1, the data is passed unchanged and in the original order (starting at the lowest address first) to the radio core.

The CC1101-based radio core expects big-endian numbers. Here RFENDIAN = 1 might be used to ease the porting of code from a two-chip RF solution. RFENDIAN = 1 should also be used if transmit or receive data and the power amplifier table data is passed to the radio core using RF1ADINW.

A 16-bit word is passed to the radio core by writing the word into RF1ADINW.

A byte is passed to the radio core by writing it into RF1ADINB. A byte access to the low byte of the RF1ADINW register behaves identical to accessing RF1ADINB.

NOTE: Number of Bytes

Care must be taken that the exact number of bytes required by the radio core is passed. For example, if only one byte is provided, do not use the 16-bit word access. If the radio core expects a given number of bytes and this number is exceeded, the operand error flag OPERR is set. In this case, any excess data is ignored.

Data can be read from the radio core using the word data register RF1ADOUTW or the byte data register RF1ADOUTB. For word reads, the endianness of the data can be selected with RFENDIAN, similar to the process described previously.

A 16-bit word can be read from the radio core by reading it from RF1ADOUTW if previously a 16-bit data word was written into the radio using RF1ADINW or a 2-byte auto-read (see below) was initiated.

A byte is read from the radio core by reading it from RF1ADOUTB if previously a 8-bit data byte was written into the radio using RF1ADINB or RF1AINSTRW or if a 1-byte auto-read (see below) was previously initiated. A byte access to the low byte of the RF1ADOUTW register behaves identical to accessing RF1ADOUTB.

NOTE: Number of Bytes

Care needs to be taken that the exact number of bytes provided by the radio core is read - otherwise the OUTERR flag is set.

For example, if only one byte was written into the radio using RF1ADINB the resulting output data must not be read via RF1ADOUTW, which is a 16-bit word access.

22.2.1.3 Delayed Write or Read

If a read or write access from the CPU to one of the radio interface registers causes an error condition, the CPU is stalled until the error condition is resolved for up to 16 CPU clock cycles. In correctly written software ⁽¹⁾, the delay is triggered only when the synchronization between the CPU and the RF clock domain requires more than one CPU clock cycle. The delay of up to 16 CPU clock cycles accounts for the worst case conditions and ensures that the synchronization can be completed under all conditions before the read or write access is completed.

If the cycles expire without the error condition being resolved, the read or write access is executed anyway, to avoid possible deadlock situations. This happens only with erroneous software and the corresponding error flags are set.

22.2.1.4 Auto-Read

If the parameters provided to the radio core are don't care (for example, if the registers are only read) the auto-read feature can be used to avoid providing dummy data via the RF1ADIN registers.

To auto-read the next byte, the registers RF1AINSTR1B, RF1ASTAT1W, RF1ASTAT1B, RF1ADOUT1B, and RF1ADOUT1W can be used instead of the registers RF1AINSTRB, RF1ASTATW, RF1ASTATB, RF1ADOUTB, and RF1ADOUTW. Using these registers allows reading of the next byte without having to do a dummy write to RF1ADINB.

To auto-read the next two bytes (that is, one word) the registers RF1AINSTR2B, RF1AINSTR2W, RF1ASTAT2B, RF1ASTAT2W, RF1ADOUT2B, and RF1ADOUT2W can be used instead of the registers RF1AINSTRB, RF1AINSTRW, RF1ASTATB, RF1ASTATW, RF1ADOUTB, and RF1ADOUTW. Using these registers allows reading the next word (or the next two bytes) without having to do a dummy write to RF1ADINW.

⁽¹⁾ Correctly written software is software that does not implement deadlock situations like reading data from RF1ADOUT without having written data into RF1ADIN or using an auto-read register access previously.

Table 22-1. One-Byte Auto-Read Registers

Register	Auto-Read Register	Example C-Code Without Auto-Read	Example C-Code With Auto-Read
RF1AINSTRB	RF1AINSTR1B	RF1AINSTRB = instr; RF1ADINB = 0; //dummy write byte_dat = RF1ADOUTB;	RF1AINSTR1B = instr; // No dummy write! byte_dat = RF1ADOUTB;
RF1AINSTRW	RF1AINSTR1W	RF1AINSTRW = instr<<8; ⁽¹⁾ // No dummy write byte_dat = RF1ADOUTB;	RF1AINSTR1W = instr<<8; // No dummy write! byte_dat = RF1ADOUTB;
RF1ASTATB	RF1ASTAT1B	rf_stat = RF1ASTATB; RF1ADINB = 0; //dummy write byte_dat = RF1ADOUTB;	rf_stat = RF1ASTAT1B; // No dummy write! byte_dat = RF1ADOUTB;
RF1ASTATW	RF1ASTAT1W	rf_stat_dat = RF1ASTATW; RF1ADINB = 0; //dummy write byte_dat = RF1ADOUTB;	rf_stat_dat = RF1ASTAT1W; // No dummy write! byte_dat = RF1ADOUTB;
RF1ADOUTB	RF1ADOUT1B	first_byte = RF1ADOUTB; RF1ADINB = 0; //dummy write byte_dat = RF1ADOUTB;	first_byte = RF1ADOUT1B; // No dummy write! byte_dat = RF1ADOUTB;
RF1ADOUTW	RF1ADOUT1B	first_word = RF1ADOUTW; RF1ADINB = 0; //dummy write byte_dat = RF1ADOUTB;	first_word = RF1ADOUT1W; // No dummy write! byte_dat = RF1ADOUTB;

⁽¹⁾ No dummy byte write is required, because one dummy byte is already written with RF1AINSTRW.

Table 22-2. Two-Byte (One-Word) Auto-Read Registers

Register	Auto-Read Register	Example C-Code Without Auto-Read	Example C-Code With Auto-Read
RF1AINSTRB	RF1AINSTR2B	RF1AINSTRB = instr; RF1ADINW = 0; //dummy write word_dat = RF1ADOUTW;	RF1AINSTR2B = instr; // No dummy write! word_dat = RF1ADOUTW;
RF1AINSTRW	RF1AINSTR2W	RF1AINSTRW = instr<<8; ⁽¹⁾ RF1ADINW = 0; //dummy write word_dat = RF1ADOUTW;	RF1AINSTR2W = instr<<8; // No dummy write! word_dat = RF1ADOUTW;
RF1ASTATB	RF1ASTAT2B	rf_stat = RF1ASTATB; RF1ADINW = 0; //dummy write word_dat = RF1ADOUTW;	rf_stat = RF1ASTAT2B; // No dummy write! word_dat = RF1ADOUTW;
RF1ASTATW	RF1ASTAT2W	rf_stat_dat = RF1ASTATW; RF1ADINW = 0; //dummy write word_dat = RF1ADOUTW;	rf_stat_dat = RF1ASTAT2W; // No dummy write! word_dat = RF1ADOUTW;
RF1ADOUTB	RF1ADOUT2B	first_byte = RF1ADOUTB; RF1ADINW = 0; //dummy write word_dat = RF1ADOUTW;	first_byte = RF1ADOUT2B; // No dummy write! word_dat = RF1ADOUTW;
RF1ADOUTW	RF1ADOUT2B	first_word = RF1ADOUTW; RF1ADINW = 0; //dummy write word_dat = RF1ADOUTW;	first_word = RF1ADOUT2W; // No dummy write! word_dat = RF1ADOUTW;

⁽¹⁾ Only one dummy byte write is required, because one dummy byte is already written with RF1AINSTRW.

22.2.1.5 Error Flags

Table 22-3 lists the interface error conditions and its flags. There is also a error vector generator register, RF1AERRV, that allows decoding the error condition using the same mechanisms as with the interrupt vector word registers. Any read access of the RF1AERRV register automatically resets the highest pending error flag. If another error flag is set, the RFERRIFG interrupt flag remains set, and another interrupt is immediately generated after servicing the initial interrupt. A write access to the RF1AERRV register automatically resets all error flags. In addition, all error flags can be cleared via software.

The flags are provided to simplify software debugging. Ideally, a production ready software should never see any radio interface errors.

Table 22-3. Radio Interface Error Conditions

Error Condition	Error Flag	Description
Operand error	OPERR	Not enough or too many operands were provided for an instruction. If not enough operands were provided, the instruction was aborted by writing a new instruction before all required operands were passed to the radio core. The aborted instruction might already be partially executed, causing an unpredictable state of the radio core. If too many operands were provided, the excess operands are ignored.
Output data not available error	OUTERR	Not enough data available for the executed read access.
Operand overwrite error	OPOVERR	Attempt to overwrite operands in RF1ADIN registers that are still being processed by the radio core. Written data is ignored.
Low-voltage error	LVERR	Attempt to activate the radio core (go to a state other than SLEEP and IDLE) with a core voltage level PMMCOREVx = 00b or 01b. The transition from IDLE to the next state is prevented until PMMCOREVx ≥ 10b and the LVERR flag is cleared by software. The command that triggered the LVERR to be set is ignored and must be retransmitted to the radio core after the error condition is resolved; that is, after the core voltage level setting is increased to PMMCOREVx ≥ 10b and after ensuring that the voltage reached the desired level.

Examples

```
// OPERR - not enough operands
RF1AINSTRB = SNGLREGWR+0x00; // Write radio core register IOCFG2, expects 1 byte
RF1AINSTRB = SNOP;           // Error!
//=> OPERR flag set,
// no operand provided for previous instruction

// OPERR - too many operands
RF1AINSTRB = SNGLREGWR+0x00; // Write radio core register IOCFG2, expects 1 byte
RF1ADINB = 0x00;             // Okay.
RF1ADINB = 0x01;             // Error!
//=> OPERR flag set,
// only 1 byte expected for SNGLREGWR instruction,
// data ignored

// OPOVERR
RF1AINSTRB = REGWR+0x00; // Write radio core registers starting with IOCFG2
RF1ADINB = 0x00;
RF1ADINB = 0x01;
//=> OPOVERR flag set and data ignored,
// if synchronization of data between the interface and the core takes too long

// OUTERR
RF1AINSTRB = REGRD+0x00; // Read radio core registers starting with IOCFG2
data= RF1ADOUTB;         // Error!
//=> OUTERR flag set, because dummy data write is missing
```

22.2.2 Radio Interface Interrupts

The radio interface provides a number of interrupt flags to control the data-flow between the radio core and the CPU. The interrupt flags are listed in [Table 22-4](#).

Table 22-4. Radio Interface Interrupt Flags

Interrupt Flag	Interrupt Condition
RFINSTRIFG	The radio core is ready to accept the next instruction; that is, the previous instruction was completely processed and all required data was provided.
RFDINIFG	The radio core is ready to accept additional data.
RFSTATIFG	The radio core updated the status accessible via the RF1ASTAT registers. If the instruction was provided as a word via RF1AINSTRW, the flag is set after the first data byte is also available.
RFDOUTIFG	Data was provided by the radio core and can be read via the RF1ADOUT registers. If the corresponding parameters were provided as 16-bit data, the flag is set only after 16-bit data is available. With the auto-read feature, the flag is set after the selected amount of data is available. With each read access of the RF1ADOUT registers, the flag is cleared; if there is still data available after the read access, the RFDOUTIFG is set again.
RFERRIFG	An error occurred interfacing to the radio core. The error condition can be encoded using the error flags. The error interrupt flag is set as long as one of the error flags (OPERR, OUTERR, OPOVERR, or LVERR) is set. It is cleared automatically when all error flags are cleared.

22.2.3 Radio Core Interrupts

The radio core provides interrupt signals to the radio interface. There are three programmable output signals GDO0, GDO1, and GDO2 that can also be routed to pins as well as hardwired output signals going into the interrupt logic.

For each interrupt signal there is an associated interrupt flag RFIFG_x together with an interrupt enable RFIE_x, an interrupt edge select RFIES_x, and an input bit RFIN_x. The input bit RFIN_x allows to query the actual status of a signal, the interrupt edge select bit RFIES_x allows to trigger an interrupt on the positive (RFIES = 0) or on the negative (RFIES = 1) edge of the associated signal and RFIE_x enables the associated RFIFG_x to cause an interrupt.

NOTE: Changing RFIES

Changing RFIES bits can result in setting the corresponding RFIFG interrupt flags.

The radio core interrupt flags are prioritized and combined to source a single interrupt vector together with the radio interface interrupts. The interrupt vector register RF1AIV is used to determine which radio core interrupt flag requested an interrupt. The highest priority enabled interrupt generates a number in the RF1AIV register that can be evaluated or added to the program counter to automatically enter the appropriate software routine. Disabled interrupts do not affect the RF1AIV value.

Any read access of the RF1AIV register automatically resets the highest pending interrupt flag. If another interrupt flag is set, another interrupt is generated immediately after servicing the initial interrupt. A write access to the RF1AIV register automatically resets all pending interrupt flags.

[Table 22-5](#) lists the available CC1101 radio core interrupt sources and the associated flags. It also lists for the hardwired interrupt sources what event causes a low-to-high transition and what causes a high-to-low transition.

Table 22-5. CC1101 Radio Core Interrupt Mapping

Interrupt Flag	Interrupt Condition
RFIFG0	Based on GDO0 signal - programmable using IOCFG0 (0x02) register of radio core.
RFIFG1	Based on GDO1 signal - programmable using IOCFG1 (0x01) register of radio core.
RFIFG2	Based on GDO2 signal - programmable using IOCFG2 (0x00) register of radio core.
RFIFG3	Positive edge: RX FIFO filled or above the RX FIFO threshold. Negative edge: RX FIFO drained below RX FIFO threshold. (Equal to GDOx_CFG=0)
RFIFG4	Positive edge: RX FIFO filled or above the RX FIFO threshold or end of packet is reached. Negative edge: RX FIFO empty. (Equal to GDOx_CFG=1)
RFIFG5	Positive edge: TX FIFO filled or above the TX FIFO threshold. Negative edge: TX FIFO below TX FIFO threshold. (Equal to GDOx_CFG=2)
RFIFG6	Positive edge: TX FIFO full. Negative edge: TX FIFO below TX FIFO threshold. (Equal to GDOx_CFG=3)
RFIFG7	Positive edge: RX FIFO overflowed. Negative edge: RX FIFO flushed. (Equal to GDOx_CFG=4)
RFIFG8	Positive edge: TX FIFO underflowed. Negative edge: TX FIFO flushed. (Equal to GDOx_CFG=5)
RFIFG9	Positive edge: Sync word sent or received. Negative edge: End of packet or in RX when optional address check fails or RX FIFO overflows or in TX when TX FIFO underflows. (Equal to GDOx_CFG=6)
RFIFG10	Positive edge: Packet received with CRC OK. Negative edge: First byte read from RX FIFO. (Equal to GDOx_CFG=7)
RFIFG11	Positive edge: Preamble quality reached (PQI) is above programmed PQT value. Negative edge: (LPW) (Equal to GDOx_CFG=8)
RFIFG12	Positive edge: Clear channel assessment when RSSI level is below threshold (dependent on the current CCA_MODE setting). Negative edge: RSSI level is above threshold. (Equal to GDOx_CFG=9)
RFIFG13	Positive edge: Carrier sense. RSSI level is above threshold. Negative edge: RSSI level is below threshold. (Equal to GDOx_CFG=14)
RFIFG14	Positive edge: WOR event 0 Negative edge: WOR event 0 + 1 ACLK. (Equal to GDOx_CFG=36)
RFIFG15	Positive edge: WOR event 1 Negative edge: RF oscillator stable or next WOR event0 triggered. (Equal to GDOx_CFG=37)

22.2.4 Using Radio With Low-Power Modes

The radio works seamlessly in LPM0 to LPM2. To enable radio operation in LPM3 or LPM4, the application must set the PMMHPMRE bit in the PMMCTL0 register of the PMM module to 1. This enables the PMM to provide sufficient current while the radio is active. When the radio goes into SLEEP state, the current consumption drops to the usual LPM3 numbers; however, while the radio is active, the current consumption reflects the respective radio state.

When the radio needs to transition from the SLEEP state to an active state (for example, from IDLE, to RX or TX) the CPU must not go into a low-power mode until the radio is active. This is reflected by the RF_RDYn signal transitioning from 1 to 0. This can be observed best on the programmable RFINx signals; for example, the GDO2 signal fed to RFIN2 is programmed by default to RF_RDYn.

22.2.5 Radio Interrupt Handling

The radio module has one entry in the device's interrupt vector table and two interrupt vector word registers RF1AIFIV and RF1AIV that are used to determine which interface interrupt flag or radio core interrupt flag requested an interrupt.

The highest priority enabled interface or core interrupt generates a number in the RF1AIFIV or RF1AIV registers (see register description). This number can be evaluated or added to the program counter to automatically enter the appropriate software routine. Disabled interrupts do not affect the RF1AIFIV and RF1AIV values.

Any read access of the RF1AIFIV register automatically resets the highest pending radio interface interrupt flag. If another interrupt flag is set, another interrupt is immediately generated after servicing the initial interrupt. A write access to the RF1AIFIV register automatically resets all pending radio interface interrupt flags. In addition, all flags can be cleared via software.

Any read access of the RF1AIV register automatically resets the highest pending radio core interrupt flag. If another interrupt flag is set, another interrupt is immediately generated after servicing the initial interrupt. A write access to the RF1AIV register automatically resets all pending radio core interrupt flags. In addition, all flags can be cleared via software.

22.2.5.1 RF1AIFIV and RF1AIV Software Example

The following software example shows the recommended use of RF1AIFIV, RF1AIV, and the handling overhead. The RF1AIFIV or RF1AIV values are added to the PC to automatically jump to the appropriate routine. The software can define the priority of the interface interrupts versus the priority of the core interrupts by ordering the access to the interrupt vector word registers accordingly.

The numbers at the right margin show the necessary CPU cycles for each instruction. The software overhead for different interrupt sources includes interrupt latency and return-from-interrupt cycles, but not the task handling itself.

```

; Interrupt handler for radio interrupt flags.
; Radio interface interrupts have higher priority

RADIO_HND                                ; Interrupt latency                6
                                           ; Radio Interface Interrupts
      ADD      &RF1AIFIV,PC              ; Add offset to Jump table        3
      JMP     RF_CORE_HND                ; Vector 0: No I/F interrupt      2
      JMP     ..._HND                    ; Vector 2: ...                   2
      JMP     ..._HND                    ; Vector 4: ...                   2
      ...
      JMP     ..._HND                    ; Vector 12: ...                  2
                                           ; Vector 14: ...
      ...
      RETI                                 ; Task starts here                5

..._HND                                   ; Vector xyz: ...
      ...
      RETI                                 ; Task starts here                5

RF_CORE_HND                               ; Radio Core Interrupts
      ADD      &RF1AIV,PC                ; Add offset to Jump table        3
      RETI                                 ; Vector 0: No interrupt          5
      JMP     ..._HND                    ; Vector 2: ...                   2
      JMP     ..._HND                    ; Vector 4: ...                   2
      ...
      JMP     ..._HND                    ; Vector 30: ...                  2
                                           ; Vector 32: ...
      ...
      RETI                                 ; Task starts here                5

..._HND                                   ; Vector xyz: ...
      ...
      RETI                                 ; Task starts here                5

; Interrupt handler for radio interrupt flags.
; Radio core interrupts have higher priority

RADIO_HND                                ; Interrupt latency                6
                                           ; Radio Core Interrupts
      ADD      &RF1AIV,PC                ; Add offset to Jump table        3
      JMP     RF_IF_HND                  ; Vector 0: No Core interr.      2

```

	JMP	..._HND	; Vector 2: ...	2
	JMP	..._HND	; Vector 4: ...	2
	...		; ...	
	JMP	..._HND	; Vector 30: ...	2
			; Vector 32: ...	
	...		; Task starts here	
	RETI			5
...	; Vector xyz: ...	
...	; Task starts here	
	RETI			5
RF_IF_HND			; Radio Interface Interrupts	
	ADD	&RF1AIFIV,PC	; Add offset to Jump table	3
	RETI		; Vector 0: No interrupt	5
	JMP	..._HND	; Vector 2: ...	2
	JMP	..._HND	; Vector 4: ...	2
	...		; ...	
	JMP	..._HND	; Vector 12: ...	2
			; Vector 14: ...	
	...		; Task starts here	
	RETI			5
...	; Vector xyz: ...	
...	; Task starts here	
	RETI			5

22.2.6 Software Considerations

The radio interface supports three different possibilities to access the radio core:

1. Straight access to interface registers

This method relies on the implemented delay that can cause the CPU to stall for up to 16 cycles (see [Section 22.2.1.3](#)). The advantage of this method is that it is very straight forward and requires the least code overhead. The draw-back of this solution is that the worst case interrupt latency is increase by 16 MCLK cycles. In erroneous software, an error flag is set that can be caught in the RF1A interrupt service routine.

2. Polling interface interrupt flags

The interface interrupt flags (for example the RFINSTRIFG) are polled before accessing the corresponding interface register (for example, RF1AINSTRB). This method does not add any interrupt latency because by polling the flag it is ensured that the corresponding register can be accessed without stalling the CPU. The draw-back is the requirement of having to execute polling loop before each access to the radio interface registers.

3. Using the interface interrupt

Instead of polling the interrupt flags the access to the interface registers is executed in the radio interface interrupt service routine. For example all radio interface interrupts are disabled by default. If then the instruction register should be written, one would write the instruction in a global variable that can be read within the interrupt service routine and would set the corresponding interrupt enable RFINSTRIE = 1. Within the interrupt service routine one decodes that the RFINSTRIFG is set and then loads the RFAINSTRB register with the value store in the global variable.

This method also adds no interrupt latency as above and avoids the polling loops. The draw-back is that it requires a rather sophisticated interrupt service routine.

Of course the methods mentioned above can be mixed in a given application.

One possibility to ease porting of software between a two-chip solution MSP430 plus CC1101 and a CC430an RF430-based one-chip solution is abstracting the access to the radio core using C-Defines and C-Functions. Then same "functions" can be used independently of being used in a two-chip or a single-chip application.

The basic idea is to have some C-Defines and C-Functions as shown below that can be used independently of being used in a two-chip or a single-chip application.

```
#ifndef CC430_RF1A

// C-Defines to "abstract" the CC430 radio interface for a one-chip solution (using option 1)

#define RF_IFCTL0(ctl) RF1AIFCTL0= ctl
#define RF_INSTRB(instr) RF1AINSTRB= instr
#define RF_INSTRW(instr) RF1AINSTRW= instr
#define RF_INSTR1B(instr) RF1AINSTR1B= instr
#define RF_STATB() RF1ASTATB
#define RF_DINB(din) RF1ADINB= din
#define RF_DINW(din ) RF1ADINW= din
#define RF_DOUTB() RF1ADOUT0B
#define RF_DOUT1B() RF1ADOUT1B
#define RF_DOUT2B() RF1ADOUT2B
#define RF_DOUTW() RF1ADOUT0W
//...

// Example of a define using option 2
// #define RF_INSTRB(instr) {while( !(RF1AIFCTL1 & RFINSTRIFG)); RF1AINSTRB= instr; }

#else

// C-Functions to mimic the CC430 radio interface for a two-chip solution

void RF_IFCTL0(unsigned int ctl);
void RF_INSTRB(char instr);
void RF_INSTRW(unsigned int instr);
```

```

void RF_INSTR1B(char instr);
char RF_STATB();
void RF_DINB(char din);
void RF_DINW(unsigned int din);
char RF_DOUTB();
char RF_DOUT1B();
char RF_DOUT2B();
unsigned int RF_DOUTW();
//...

#endif
    
```

The C-Functions for the two-chip solution need to provide the functionality of the C-Defines, taking the interface toward the CC1101 into account. For example, the RF_INSTR function for a device with the USART module might look like this:

```

void RF_INSTRB(char instr)
{
    // Indicate start of new instr. by toggling CS
    TI_CC_CSxOUT |= TI_CC_CSxPIN; // /CS disable
    TI_CC_CSxOUT &= ~TI_CC_CSxPIN; // /CS enable
    while (TI_CC_SPI_USART1_PxIN&TI_CC_SPI_USART1_SOMI); // Wait for CCxxxx ready
    IFG2 &= ~URXIFG1; // Clear RX flag
    U1TXBUF = instr; // Send instr
    while (!(IFG2&URXIFG1)); // Wait until status received
    rf_statb= U1RXBUF; // Read status
    rf_dout_cnt= 0; // No data returned

    // if strobe command disable /CS immediately
    if ((instr >= 0x30) && (instr <= 0x3d))
    {
        TI_CC_CSxOUT |= TI_CC_CSxPIN; // /CS disable
    } // if
} // RF_INSTRB
    
```

22.3 CC1101-Based Radio Core

22.3.1 Differences From CC1101

The radio core differs from the CC1101 device:

- Forward error correction (FEC) and interleaving are not supported.
- After a reset (PUC) the radio is in SLEEP state instead of IDLE.
- Strobe command SRES resets the radio and sets the state machine to SLEEP instead of IDLE.
- Strobe command SXOFF causes the radio core to transition into the SLEEP state instead of the XOFF state.
- ACLK is clock source for the WOR timer, not the integrated CC1101 R/C oscillator.
- Instructions can be executed while the radio core is in SLEEP state.
- An oscillator fault detection for the RF crystal oscillator is available via the UCS module. A fault of RF oscillator must be "acknowledged" with a SRES command strobe.
- Support of synchronous and asynchronous operation via Timer_A (see the device-specific data sheet).
The input is taken from Timer_A (as specified in the data sheet) except GDO0_CFG is set to 0x2D. If GDO1_CFG or GDO2_CFG is set to 0x2D, the signal indicates, when 0, that GDO0 is configured as input (when GDO0_CFG = 0x2D) or that serial TX data is taken from the Timer_A (when GDO0_CFG is not 0x2D); that is, same functionality as on CC1101 for GDO1 and GDO2.
- The register 0x30 PARTNUM - CHIP ID reads as 0 (0x00).
The register 0x31 VERSION - CHIP ID reads as 6 (0x06).
- The RC_PD bit in register 0x20 WORCTRL is used as a ACLK_PD bit. Set to 1, the ACLK input to the WOR timer is disabled (ACLK is not requested). Reset to 0, the ACLK input to the WOR timer is enabled (ACLK is requested). The SWOR strobe automatically clears this bit and enables the WOR timer.
- The default settings for WORCTRL (now: 0xF8), WOREVT0 (now: 0x00) and WOREVT1 (now: 0x80) changed due to the changed frequency used for the WOR timer (32 kHz vs 26 MHz / 750 or 27 MHz / 750).
- The following signals are added to the GDOx multiplexers:
 - 30 (0x1E): RSSI_VALID
 - 31 (0x1F): RX_TIMEOUT
- In register 0x18 MCSM0, bits 2 and 3 (used as PO_TIMEOUT in CC1101) are reserved; that is, "r0".
- The PA_PD and LNA_PD signals fed to the GDOx multiplexers behave as intended: PA_PD is low only in TX states, LNA_PD is low only in RX states. Otherwise, the signals are 1 (even in SLEEP state).
- The SFTX or SFRX command strobes can be issued in SLEEP state, in addition to IDLE, TX_UNDERFLOW, and RX_OVERFLOW. The FIFOs are not automatically flushed when going to SLEEP state. This allows putting the radio into sleep state and reading previously received data from the RX FIFO or preparing the data in the TX FIFO for the next transmission.
- In register 0x01 IOCFG1 bit 7, GDO_DS is reserved; that is, "r0".
- Registers 0x27 RCCTRL1 and 0x28 RCCTRL0 are reserved; that is, "r0".
- The default setting for IOCFG0.GDO0_CFGx changed from 0x3F (RFCLK / 192) to 0x2E (3-state).

22.3.2 Instruction Set for CC1101-Based Radio Core

Table 22-6 and Table 22-7 list the available instructions to communicate with the CC1101-based radio core. Table 22-6 lists the available command strobcs, and Table 22-7 lists all other available instructions. The following nomenclature is used:

- i:[.....] gives the value that needs to be written into the radio interface instruction register.
- s:[.....] is the value that is returned in the radio interface status register after the instruction was transferred to the radio core.
- A i:[.....] in the "Inputs" column always corresponds with a s:[.....] in the "Outputs" column.
- [ssss ssss] is the status byte as described in Table 22-8.
- d:[.....] in the "Inputs" column is a byte value written into one of the RFA1DIN registers.
- d:[.....] in the "Outputs" column is a byte value that can be read via the RFA1DOUT registers.
- A d:[.....] in the "Inputs" column always corresponds with a d:[.....] in the "Outputs" column.
- [---- ----] is "don't care" data.

The most significant bit of the command strobcs in Table 22-6 shown as "x" can be either set to 0 to receive a status byte indicating the number of bytes available in the TX FIFO or it can be set to 1 to receive a status byte indicating the number of bytes available in the RX FIFO. Also see the status byte description in Table 22-8.

Table 22-6. CC1101-Based Radio Core Instruction Set – Command Strokes

Instruction Mnemonic	Inputs	Outputs	Description
SRES	i:[x011 0000]	n/a	Command strobe: reset radio core Nothing returned. Accordingly STATIFG is not set.
SFSTXON	i:[x011 0001]	s:[ssss ssss]	Command strobe: enable and calibrate frequency synthesizer (if MCSM0.FS_AUTOCAL = 1). If in RX (with CCA), go to a wait state where only the synthesizer is running (for quick RX or TX turnaround). Returns status byte with bytes available in TX FIFO when x = 0 and with bytes available in RX FIFO when x=1.
SXOFF	i:[x011 0010]	s:[ssss ssss]	Command strobe: radio core to enter SLEEP state Returns status byte with bytes available in TX FIFO when x = 0 and with bytes available in RX FIFO when x=1.
SCAL	i:[x011 0011]	s:[ssss ssss]	Command strobe: calibrate frequency synthesizer and turn it off. SCAL can be strobed from IDLE mode without setting manual calibration mode (MCSM0.FS_AUTOCAL = 0). Returns status byte with bytes available in TX FIFO when x = 0 and with bytes available in RX FIFO when x=1.
SRX	i:[x011 0100]	s:[ssss ssss]	Command strobe: enable RX. Perform calibration first if coming from IDLE and MCSM0.FS_AUTOCAL = 1. If in RX state and CCA is enabled, only go to TX if channel is clear. Returns status byte with bytes available in TX FIFO when x = 0 and with bytes available in RX FIFO when x=1.
STX	i:[x011 0101]	s:[ssss ssss]	Command strobe: enable TX if in IDLE state and perform calibration first if MCSM0.FS_AUTOCAL = 1. Returns status byte with bytes available in TX FIFO when x = 0 and with bytes available in RX FIFO when x=1.
SIDLE	i:[x011 0110]	s:[ssss ssss]	Command strobe: exit RX or TX, turn off frequency synthesizer, and exit WOR mode, if applicable. Returns status byte with bytes available in TX FIFO when x = 0 and with bytes available in RX FIFO when x=1.
SWOR	i:[x011 1000]	s:[ssss ssss]	Command strobe: start automatic RX polling sequence (Wake-on-Radio, WOR) as described in . Returns status byte with bytes available in TX FIFO when x = 0 and with bytes available in RX FIFO when x=1.
SPWD	i:[x011 1001]	s:[ssss ssss]	Command strobe: radio core to enter SLEEP state Returns status byte with bytes available in TX FIFO when x = 0 and with bytes available in RX FIFO when x=1.
SFRX	i:[x011 1010]	s:[ssss ssss]	Command strobe: flush the RX FIFO buffer. Only issue SFRX in IDLE or RX_OVERFLOW states. Returns status byte with bytes available in TX FIFO when x = 0 and with bytes available in RX FIFO when x=1.
SFTX	i:[x011 1011]	s:[ssss ssss]	Command strobe: flush the TX FIFO buffer. Only issue SFTX in IDLE or TX_UNDERFLOW states. Returns status byte with bytes available in TX FIFO when x = 0 and with bytes available in RX FIFO when x=1.
SWORRST	i:[x011 1100]	s:[ssss ssss]	Command strobe: reset WOR timer to Event1 value. Returns status byte with bytes available in TX FIFO when x = 0 and with bytes available in RX FIFO when x=1.
SNOP	i:[x011 1101]	s:[ssss ssss]	Command strobe: no operation. Can be used to read the radio core status byte (see Section 22.3.2.1). Returns status byte with bytes available in TX FIFO when x = 0 and with bytes available in RX FIFO when x=1.

Table 22-7. CC1101-Based Radio Core Instruction Set

Instruction Mnemonic	Inputs	Outputs	Description
SNGLREGRD	i:[10aa aaaa] d:[---- ----]	s:[ssss ssss] d:[dddd dddd]	Read register at address [a] with $a \leq 0x2E$. Returns status [s] and content of register [d]. Status contains bytes available in RX FIFO.
SNGLREGWR	i:[00aa aaaa] d:[dddd dddd]	s:[ssss ssss] d:[ssss ssss]	Write data [d] into register at address [a] with $a \leq 0x2E$. Returns status [s]. Status contains bytes available in TX FIFO.
REGRD	i:[11aa aaaa] d:[---- ----] ...	s:[ssss ssss] d:[dddd dddd] ...	Read registers starting at address [a] with $a \leq 0x2E$. Returns status [s] and content of registers [d]. Status contains bytes available in RX FIFO.
REGWR	i:[01aa aaaa] d:[dddd dddd] ...	s:[ssss ssss] d:[ssss ssss] ...	Write data [d] into registers starting at address [a] with $a \leq 0x2E$. Returns status [s]. Status contains bytes available in TX FIFO.
STATREGRD	i:[11aa aaaa] d:[---- ----]	s:[ssss ssss] d:[dddd dddd]	Read single radio core status register. Returns status [s] and content of radio core status register [a] with $0x30 \leq a \leq 0x3D$. Status contains bytes available in RX FIFO.
SNGLPATABRD	i:[1011 1110] d:[---- ----]	s:[ssss ssss] d:[dddd dddd]	Read single byte from table with power amplifier settings. Returns status [s] and one byte of PA table [d]. Status contains bytes available in RX FIFO.
SNGLPATABWR	i:[0011 1110] d:[dddd dddd]	s:[ssss ssss] d:[ssss ssss]	Write single byte [d] into table with power amplifier settings. Returns status [s]. Status contains bytes available in TX FIFO.
PATABRD	i:[1111 1110] d:[---- ----] ...	s:[ssss ssss] d:[dddd dddd] ...	Read table with power amplifier settings. Returns status [s] and content of table [d]. Status contains bytes available in RX FIFO.
PATABWR	i:[0111 1110] d:[dddd dddd] ...	s:[ssss ssss] d:[ssss ssss] ...	Write table with power amplifier settings with data [d]. Returns status [s]. Status contains bytes available in TX FIFO.
SNGLRXRD	i:[1011 1111] d:[---- ----]	s:[ssss ssss] d:[dddd dddd]	Read single byte from receive FIFO. Returns status [s] and received byte [d]. Status contains bytes available in RX FIFO.
SNGLTXWR	i:[0011 1111] d:[dddd dddd]	s:[ssss ssss] d:[ssss ssss]	Write single byte [d] into transmit FIFO. Returns status [s]. Status contains bytes available in TX FIFO.
RXFIFORD	i:[1111 1111] d:[---- ----] ...	s:[ssss ssss] d:[dddd dddd] ...	Read data from receive FIFO. Returns status [s] and received bytes [d]. Status contains bytes available in RX FIFO.
TXFIFOWR	i:[0111 1111] d:[dddd dddd] ...	s:[ssss ssss] d:[ssss ssss] ...	Write data bytes [d] into transmit FIFO. Returns status [s]. Status contains bytes available in TX FIFO.

22.3.2.1 Status Byte

With each instruction sent to the radio core, the status is updated and can be read back using the RF1ASTAT registers. [Table 22-8](#) summarizes the information available in the status byte.

Table 22-8. Radio Core Status Byte Summary

7	6	5	4	3	2	1	0
RF_RDYn	RF_STATEx			FIFO_BYTES_AVAILx			
RF_RDYn	Bit 7	Radio core ready					
		0	Radio core is ready. Crystal oscillator has stabilized.				
		1	Radio core is not ready. Crystal oscillator not stable.				
RF_STATEx	Bits 6-4	State of the radio core main state machine.					
		000	IDLE	Idle state. Also reported for some transitional states.			
		001	RX	Receive mode			
		010	TX	Transmit mode			
		011	FSTXON	Fast TX ready			
		100	CALIBRATE	Frequency synthesizer calibration is running.			
		101	SETTLING	PLL is settling.			
		110	RX_OVERFLOW	RX FIFO overflow			
		111	TX_UNDERFLO	TX FIFO underflow			
			W				
FIFO_BYTES_AVAILx	Bits 3-0	Number of bytes available in the RX FIFO or TX FIFO.					
		Depending on the MSB of the instruction, these bits indicate either the number of bytes available for read from the RX FIFO (MSB = 1) or the number of bytes that can be written to the TX FIFO (MSB = 0). When FIFO_BYTES_AVAILx = 1111, then 15 or more bytes are available or free.					

22.3.2.2 Power Amplifier Table Access

The power amplifier table PATABLE is an 8-byte table that defines the PA control settings to be used for each of the eight PA power values (selected by the PA_POWERx bits in radio core register FRENDO). The table is written and read from the lowest setting (0) to the highest (7), one byte at a time. An index counter is used to control the access to the table. This counter is incremented each time a byte is read or written to the table using one of the instructions SINGLPATABRD, SINGLPATABWR, PATABRD, and PATABWR. When the highest value is reached the counter wraps around to zero. The counter is reset when any other instruction than a power table instruction is written into the RF1AINSTR register.

22.3.3 Radio-Core Operation

22.3.3.1 Data Rate Programming

The data rate used when transmitting, or the data rate expected in receive, is programmed by the MDMCFG3.DRATE_M and the MDMCFG4.DRATE_E configuration registers. The data rate is given by Equation 11. As the formula shows, the programmed data rate depends on the crystal frequency.

$$R_{DATA} = \frac{(256 + DRATE_M) \times 2^{DRATE_E}}{2^{28}} \times f_{XOSC} \quad (11)$$

Equation 12 can be used to find suitable values for a given data rate:

$$DRATE_E = \left\lceil \log_2 \left(\frac{R_{DATA} \times 2^{20}}{f_{XOSC}} \right) \right\rceil$$

$$DRATE_M = \frac{R_{DATA} \times 2^{28}}{f_{XOSC} \times 2^{DRATE_E}} - 256 \quad (12)$$

If DRATE_M is rounded to the nearest integer and becomes 256, increment DRATE_E and use DRATE_M = 0.

The data rate can be set from 0.8 kBaud to 500 kBaud with the minimum step as shown in Table 22-9.

Table 22-9. Data Rate Step Size

DATA RATE (kBaud)			DATA RATE STEP SIZE (kBaud)
MINIMUM	TYPICAL	MAXIMUM	
0.8	1.2 or 2.4	3.17	0.0062
3.17	4.8	6.35	0.0124
6.35	9.6	12.7	0.0248
12.7	19.6	25.4	0.0496
25.4	38.4	50.8	0.0992
50.8	76.8	101.6	0.1984
101.6	153.6	203.1	0.3967
203.1	250	406.3	0.7935

22.3.3.2 Receiver Channel Filter Bandwidth

To meet different channel width requirements, the receiver channel filter is programmable. The MDMCFG4.CHANBW_E and MDMCFG4.CHANBW_M configuration registers control the receiver channel filter bandwidth, which scales with the crystal oscillator frequency. Equation 13 gives the relation between the register settings and the channel filter bandwidth.

$$BW_{\text{channel}} = \frac{f_{\text{XOSC}}}{8 \times (4 + \text{CHANBW_M}) \times 2^{\text{CHANBW_E}}} \quad (13)$$

Table 22-10 lists the supported channel filter bandwidths.

Table 22-10. Channel Filter Bandwidths (kHz) (Assuming a 26-MHz Crystal)

MDMCFG4. CHANBW_M	MDMCFG4.CHANBW_E			
	00	01	10	11
00	812	406	203	102
01	650	325	162	81
10	541	270	135	68
11	464	232	116	58

For best performance, the channel filter bandwidth should be selected so that the signal bandwidth occupies at most 80% of the channel filter bandwidth. The channel center tolerance due to crystal inaccuracy should also be subtracted from the channel filter bandwidth, as shown in the following example.

With the channel filter bandwidth set to 500 kHz, the signal should stay within 80% of 500 kHz, which is 400 kHz. Assuming 915-MHz frequency and ± 20 -ppm frequency uncertainty for both the transmitting device and the receiving device, the total frequency uncertainty is ± 40 ppm of 915 MHz, which is ± 37 kHz. If the whole transmitted signal bandwidth is to be received within 400 kHz, the transmitted signal bandwidth should be maximum $400 \text{ kHz} - (2 \times 37 \text{ kHz})$, which is 326 kHz.

By compensating for a frequency offset between the transmitter and the receiver, the filter bandwidth can be reduced and the sensitivity can be improved, see more in *DN005 - CC11xx Sensitivity versus Frequency Offset and Crystal Accuracy* (SWRA122) and in .

22.3.3.3 Demodulator, Symbol Synchronizer, and Data Decision

The radio core contains an advanced and highly configurable demodulator. Channel filtering and frequency offset compensation are performed digitally. To generate the RSSI level (see for more information) the signal level in the channel is estimated. Data filtering is also included for enhanced performance.

Frequency Offset Compensation

The CC1101-based radio has a very fine frequency resolution (refer to the frequency synthesizer characteristics in the device-specific data sheet). This feature can be used to compensate for frequency offset and drift.

When using 2-FSK, 2-GFSK, or MSK modulation, the demodulator compensates for the offset between the transmitter and receiver frequency, within certain limits, by estimating the center of the received data. The frequency offset compensation configuration is controlled from the FOCCFG register. By compensating for a large frequency offset between the transmitter and the receiver, the sensitivity can be improved as shown in *DN005 - CC11xx Sensitivity versus Frequency Offset and Crystal Accuracy* (SWRA122).

The tracking range of the algorithm is selectable as fractions of the channel bandwidth with the FOCCFG.FOC_LIMIT configuration register.

If the FOCCFG.FOC_BS_CS_GATE bit is set, the offset compensator freezes until carrier sense asserts. This may be useful when the radio is in RX for long periods with no traffic, because the algorithm may drift to the boundaries when trying to track noise.

The tracking loop has two gain factors, which affect the settling time and noise sensitivity of the algorithm. FOCCFG.FOC_PRE_K sets the gain before the sync word is detected, and FOCCFG.FOC_POST_K selects the gain after the sync word has been found.

NOTE: Frequency offset compensation is not supported for ASK or OOK modulation.

The estimated frequency offset value is available in the FREQEST status register. This can be used for permanent frequency offset compensation. By writing the value from FREQEST into FSCTRL0.FREQOFF, the frequency synthesizer is automatically adjusted according to the estimated frequency offset. More details regarding this permanent frequency compensation algorithm can be found in *DN015 - Permanent Frequency Offset Compensation* (SWRA159).

Bit Synchronization

The bit synchronization algorithm extracts the clock from the incoming symbols. The algorithm requires that the expected data rate is programmed as described in [Section 22.3.3.1](#). Resynchronization is performed continuously to adjust for error in the incoming symbol rate.

Byte Synchronization

Byte synchronization is achieved by a continuous sync word search. The sync word is a 16-bit configurable field (can be repeated to get a 32-bit field) that is automatically inserted at the start of the packet by the modulator in transmit mode. The demodulator uses this field to find the byte boundaries in the stream of bits. The sync word also functions as a system identifier, because only packets with the correct predefined sync word are received if the sync word detection in RX is enabled in register MDMCFG2 (see [Sync Word Qualifier](#)). The sync word detector correlates against the user-configured 16- or 32-bit sync word. The correlation threshold can be set to 15/16, 16/16, or 30/32 bits match. The sync word can be further qualified using the preamble quality indicator mechanism described below and/or a carrier sense condition. The sync word is configured through the SYNC1 and SYNC0 registers.

To make false detections of sync words less likely, a mechanism called preamble quality indication (PQI) can be used to qualify the sync word. A threshold value for the preamble quality must be exceeded in order for a detected sync word to be accepted. See for more details.

22.3.3.4 Packet Handling Hardware Support

The radio has built-in hardware support for packet oriented radio protocols.

In transmit mode, the packet handler can be configured to add the following elements to the packet stored in the TX FIFO:

- A programmable number of preamble bytes
- A 2-byte synchronization (sync) word. Can be duplicated to give a 4-byte sync word (recommended). It is not possible to insert only preamble or insert only a sync word.
- A CRC checksum computed over the data field.

The recommended setting is 4-byte preamble and 4-byte sync word, except for 500-kBaud data rate, when the recommended preamble length is 8 bytes. In addition, whitening of the data with a PN9 sequence can be implemented on the data field and the optional 2-byte CRC checksum.

In receive mode, the packet handling support deconstructs the data packet by implementing the following (if enabled):

- Preamble detection
- Sync word detection
- CRC computation and CRC check
- One byte address check
- Packet length check (length byte checked against a programmable maximum length)
- Dewhitening

Optionally, two status bytes (see [Table 22-11](#) and [Table 22-12](#)) with RSSI value, Link Quality Indication, and CRC status can be appended in the RX FIFO.

Table 22-11. Received Packet Status Byte 1 (First Byte Appended After Data)

BIT	FIELD NAME	DESCRIPTION
7:0	RSSI	RSSI value

Table 22-12. Received Packet Status Byte 2 (Second Byte Appended After Data)

BIT	FIELD NAME	DESCRIPTION
7	CRC_OK	1: CRC for received data OK (or CRC disabled) 0: CRC error in received data
6:0	LQI	Indicating the link quality

NOTE: Register fields that control the packet handling features should be altered only when the radio is in the IDLE state.

Data Whitening

From a radio perspective, the ideal over-the-air data are random and dc free. This results in the smoothest power distribution over the occupied bandwidth. This also gives the regulation loops in the receiver uniform operation conditions (no data dependencies).

Real-world data often contain long sequences of zeros and ones. Performance can then be improved by whitening the data before transmitting, and dewatering the data in the receiver. This can be enabled by setting `PKTCTRL0.WHITE_DATA = 1`. All data, except the preamble and the sync word, are then XORed with a 9-bit pseudo-random (PN9) sequence before being transmitted, as shown in [Figure 22-4](#). At the receiver end, the data are XORed with the same pseudo-random sequence. This way, the whitening is reversed, and the original data appear in the receiver. The PN9 sequence is initialized to all ones.

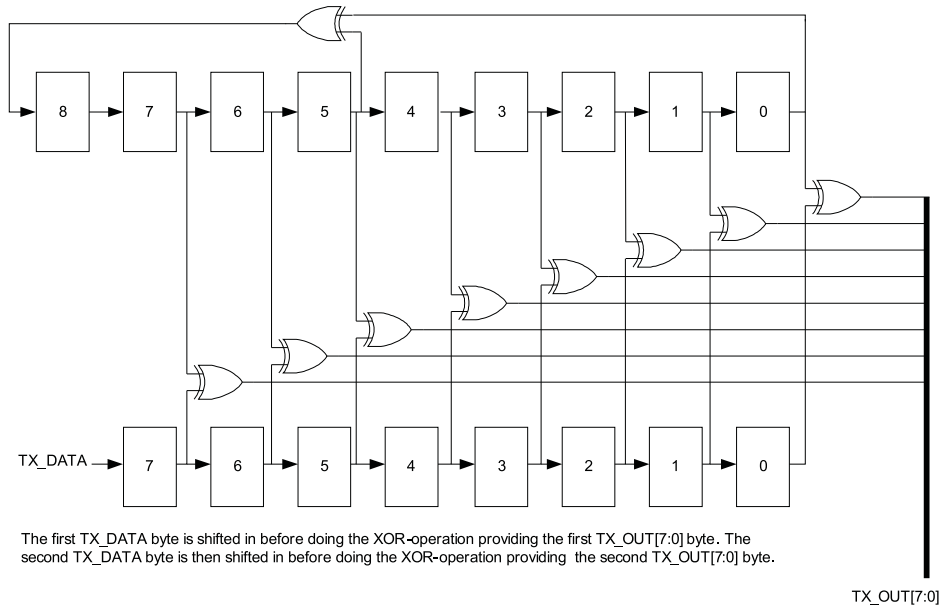


Figure 22-4. Data Whitening in TX Mode

Packet Format

The format of the data packet can be configured and consists of the following items (see [Figure 22-5](#)):

- Preamble
- Synchronization word
- Optional length byte
- Optional address byte
- Payload
- Optional 2-byte CRC

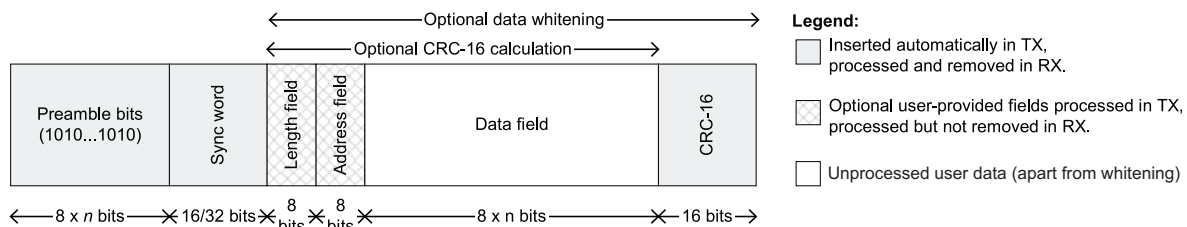


Figure 22-5. Packet Format

The preamble pattern is an alternating sequence of ones and zeros (10101010...). The minimum length of the preamble is programmed with the MDMCFG1.NUM_PREAMBLE value. When enabling TX, the modulator starts transmitting the preamble. When the programmed number of preamble bytes has been transmitted, the modulator sends the sync word and then data from the TX FIFO if data is available. If the TX FIFO is empty, the modulator continues to send preamble bytes until the first byte is written to the TX FIFO. The modulator then sends the sync word and then the data bytes.

The synchronization word is a two-byte value set in the SYNC1 and SYNC0 registers. The sync word provides byte synchronization of the incoming packet. A one-byte synch word can be emulated by setting the SYNC1 value to the preamble pattern. It is also possible to emulate a 32-bit sync word by setting MDMCFG2.SYNC_MODE to 3 or 7. The sync word is then repeated twice.

The radio supports both constant packet length protocols and variable length protocols. Variable or fixed packet length mode can be used for packets up to 255 bytes. For longer packets, infinite packet length mode must be used.

Fixed packet length mode is selected by setting PKTCTRL0.LENGTH_CONFIG = 0. The desired packet length is set by the PKTLEN register.

In variable packet length mode, PKTCTRL0.LENGTH_CONFIG = 1, the packet length is configured by the first byte after the sync word. The packet length is defined as the payload data, excluding the length byte and the optional CRC. The PKTLEN register is used to set the maximum packet length allowed in RX. Any packet received with a length byte with a value greater than PKTLEN is discarded.

With PKTCTRL0.LENGTH_CONFIG = 2, the packet length is set to infinite, and transmission and reception continues until turned off manually. As described in the next section, this can be used to support packet formats with different length configuration than natively supported. One should make sure that TX mode is not turned off during the transmission of the first half of any byte.

NOTE: The minimum packet length supported (excluding the optional length byte and CRC) is one byte of payload data.

Arbitrary Length Field Configuration

The packet length register, PKTLEN, can be reprogrammed during receive and transmit. In combination with fixed packet length mode (PKTCTRL0.LENGTH_CONFIG = 0) this opens the possibility to have a different length field configuration than supported for variable length packets (in variable packet length mode the length byte is the first byte after the sync word). At the start of reception, the packet length is set to a large value. The CPU reads out enough bytes to interpret the length field in the packet. Then the PKTLEN value is set according to this value. The end of packet occurs when the byte counter in the packet handler is equal to the PKTLEN register. Thus, the CPU must be able to program the correct length, before the internal counter reaches the packet length.

Packet Length Greater Than 255

Also the packet automation control register, PKTCTRL0, can be reprogrammed during TX and RX. This opens the possibility to transmit and receive packets that are longer than 256 bytes and still be able to use the packet handling hardware support. At the start of the packet, the infinite packet length mode (PKTCTRL0.LENGTH_CONFIG = 2) must be active. On the TX side, the PKTLEN register is set to $\text{mod}(\text{length}, 256)$. On the RX side the CPU reads out enough bytes to interpret the length field in the packet and sets the PKTLEN register to $\text{mod}(\text{length}, 256)$. When less than 256 bytes remain of the packet, the CPU disables infinite packet length mode and activates fixed packet length mode. When the internal byte counter reaches the PKTLEN value, the transmission or reception ends (the radio enters the state determined by TXOFF_MODE or RXOFF_MODE). Automatic CRC appending and checking can also be used (by setting PKTCTRL0.CRC_EN = 1).

When, for example, a 600-byte packet is to be transmitted, the CPU should do the following (see also [Figure 22-6](#)).

1. Set `PKTCTRL0.LENGTH_CONFIG = 2`.
2. Preprogram the `PKTLEN` register to $\text{mod}(600, 256) = 88$.
3. Transmit at least 345 bytes ($600 - 256$), for example by filling the 64-byte TX FIFO six times (384 bytes transmitted).
4. Set `PKTCTRL0.LENGTH_CONFIG = 0`.
5. The transmission ends when the packet counter reaches 88. A total of 600 bytes are transmitted.

Internal byte counter in packet handler counts from 0 to 255 and then starts at 0 again

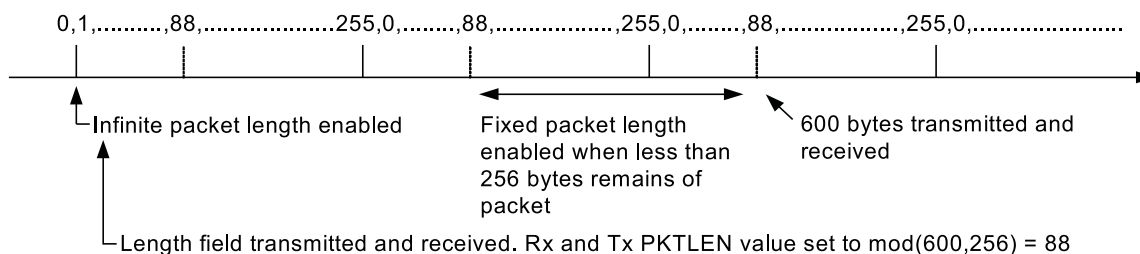


Figure 22-6. Packet Length Greater Than 255

Packet Filtering in Receive Mode

The radio supports three different types of packet filtering: address filtering, maximum length filtering, and CRC filtering.

Address Filtering

Setting `PKTCTRL1.ADR_CHK` to any other value than zero enables the packet address filter. The packet handler engine compares the destination address byte in the packet with the programmed node address in the `ADDR` register and the `0x00` broadcast address when `PKTCTRL1.ADR_CHK = 10` or both `0x00` and `0xFF` broadcast addresses when `PKTCTRL1.ADR_CHK = 11`. If the received address matches a valid address, the packet is received and written into the RX FIFO. If the address match fails, the packet is discarded and receive mode restarted (regardless of the `MCSM1.RXOFF_MODE` setting).

If the received address matches a valid address when using infinite packet length mode and address filtering is enabled, `0xFF` is written into the RX FIFO followed by the address byte and then the payload data.

Maximum Length Filtering

In variable packet length mode, `PKTCTRL0.LENGTH_CONFIG = 1`, the `PKTLEN.PACKET_LENGTH` register value is used to set the maximum allowed packet length. If the received length byte has a larger value than this, the packet is discarded and receive mode restarted (regardless of the `MCSM1.RXOFF_MODE` setting).

CRC Filtering

The filtering of a packet when CRC check fails is enabled by setting `PKTCTRL1.CRC_AUTOFLUSH = 1`. The CRC auto flush function flushes the entire RX FIFO if the CRC check fails. After auto flushing the RX FIFO, the next state depends on the `MCSM1.RXOFF_MODE` setting.

When using the auto flush function, the maximum packet length is 63 bytes in variable packet length mode and 64 bytes in fixed packet length mode. Note that the maximum allowed packet length is reduced by two bytes when `PKTCTRL1.APPEND_STATUS` is enabled, to make room in the RX FIFO for the two status bytes appended at the end of the packet. Because the entire RX FIFO is flushed when the CRC check fails, the previously received packet must be read out of the FIFO before receiving the current packet. The CPU must not read from the current packet until the CRC has been checked as OK.

Packet Handling in Transmit Mode

The payload that is to be transmitted must be written into the TX FIFO. The first byte written must be the length byte when variable packet length is enabled. The length byte has a value equal to the payload of the packet (including the optional address byte). If address recognition is enabled on the receiver, the second byte written to the TX FIFO must be the address byte. If fixed packet length is enabled, then the first byte written to the TX FIFO should be the address (if the receiver uses address recognition).

The modulator first sends the programmed number of preamble bytes. If data is available in the TX FIFO, the modulator sends the two-byte (optionally four-byte) sync word and then the payload in the TX FIFO. If CRC is enabled, the checksum is calculated over all the data pulled from the TX FIFO and the result is sent as two extra bytes following the payload data. If the TX FIFO runs empty before the complete packet has been transmitted, the radio enters `TX_UNDERFLOW` state. The only way to exit this state is by issuing an `SFTX` strobe. Writing to the TX FIFO after it has underflowed does not restart TX mode.

If whitening is enabled, everything following the sync words is whitened. Whitening is enabled by setting `PKTCTRL0.WHITE_DATA = 1`.

Packet Handling in Receive Mode

In receive mode, the demodulator and packet handler searches for a valid preamble and the sync word. When found, the demodulator has obtained both bit and byte synchronism and receives the first payload byte.

If whitening is enabled, the data is dewhitened at this stage.

When variable packet length mode is enabled, the first byte is the length byte. The packet handler stores this value as the packet length and receives the number of bytes indicated by the length byte. If fixed packet length mode is used, the packet handler accepts the programmed number of bytes.

Next, the packet handler optionally checks the address and only continues the reception if the address matches. If automatic CRC check is enabled, the packet handler computes CRC and matches it with the appended CRC checksum.

At the end of the payload, the packet handler optionally writes two extra packet status bytes (see [Table 22-11](#) and [Table 22-12](#)) that contain CRC status, link quality indication, and RSSI value.

Packet Handling in Firmware

When implementing a packet oriented radio protocol in firmware, the CPU needs to know when a packet has been received or transmitted. Additionally, for packets longer than 64 bytes the RX FIFO needs to be read while in RX and the TX FIFO needs to be refilled while in TX. This means that the CPU needs to know the number of bytes that can be read from or written to the RX FIFO and TX FIFO respectively. There are two possible solutions to get the necessary status information:

Interrupt Driven Solution

In both RX and TX one can use the RFIFG9 radio core interrupts to request an interrupt when a sync word has been received or transmitted or when a complete packet has been received or transmitted (alternatively one of the programmable radio core interrupt flags RFIFG0, RFIFG1, or RFIFG2 can be set to GDOx_CFG = 0x06). In addition, there are two radio core interrupts associated with the RX FIFO (RFIFG3 and RFIFG4 or alternatively the programmable radio core interrupt flags with GDOx_CFG = 0x00 and GDOx_CFG = 0x01) and two that are associated with the TX FIFO (RFIFG5 and RFIFG6 or alternatively the programmable radio core interrupt flags with GDOx_CFG = 0x02 and GDOx_CFG = 0x03) that can be used as interrupt sources to provide information on how many bytes are in the RX FIFO and TX FIFO respectively. Using the interrupt flags is the recommended approach.

Status Register Polling Solution

The PKTSTATUS register can be polled to get information about the current GDO2 and GDO0 values respectively. The RXBYTES and TXBYTES registers can be polled to get information about the number of bytes in the RX FIFO and TX FIFO respectively. Alternatively, the number of bytes in the RX FIFO and TX FIFO can be read from the status byte returned each time an instruction is sent to the radio core.

22.3.3.5 Modulation Formats

The radio supports amplitude, frequency, and phase shift modulation formats. The desired modulation format is set in the MDMCFG2.MOD_FORMAT register.

Optionally, the data stream can be Manchester coded by the modulator and decoded by the demodulator. This option is enabled by setting MDMCFG2.MANCHESTER_EN = 1.

Frequency Shift Keying

The radio has the possibility to use Gaussian shaped 2-FSK (2-GFSK). The 2-FSK signal is then shaped by a Gaussian filter with BT = 0.5, producing a 2-GFSK modulated signal. This spectrum-shaping feature improves adjacent channel power (ACP) and occupied bandwidth.

In 'true' 2-FSK systems with abrupt frequency shifting, the spectrum is inherently broad. By making the frequency shift 'softer', the spectrum can be made significantly narrower. Thus, higher data rates can be transmitted in the same bandwidth using 2-GFSK.

When 2-FSK or 2-GFSK modulation is used, the DEVIATN register specifies the expected frequency deviation of incoming signals in RX and should be the same as the TX deviation for demodulation to be performed reliably and robustly.

The frequency deviation is programmed with the DEVIATION_M and DEVIATION_E values in the DEVIATN register. The value has an exponent and mantissa form, and the deviation is given in [Equation 14](#):

$$f_{\text{dev}} = \frac{f_{\text{xosc}}}{2^{17}} \times (8 + \text{DEVIATION_M}) \times 2^{\text{DEVIATION_E}} \quad (14)$$

The symbol encoding is shown in [Table 22-13](#).

Table 22-13. Symbol Encoding for 2-FSK and 2-GFSK Modulation

FORMAT	SYMBOL	CODING
2-FSK and 2-GFSK	0	- Deviation
	1	+ Deviation

Minimum Shift Keying

When using MSK ⁽¹⁾, the complete transmission (preamble, sync word, and payload) is MSK modulated.

Phase shifts are performed with a constant transition time. The fraction of a symbol period used to change the phase can be modified with the DEVIATN.DEVIATION_M setting. This is equivalent to changing the shaping of the symbol. The DEVIATN register setting has no effect in RX when using MSK.

When using MSK, Manchester encoding and decoding should be disabled by setting MDMCFG2.MANCHESTER_EN = 0.

The implemented MSK modulation format inverts the sync word and data compared to, for example, signal generators.

Amplitude Modulation

The radio supports two different forms of amplitude modulation: on-off keying (OOK) and amplitude shift keying (ASK).

OOK modulation simply turns on or off the PA to modulate 1 and 0, respectively.

The ASK variant allows programming of the modulation depth (the difference between 1 and 0) and shaping of the pulse amplitude. Pulse shaping produces a more bandwidth-constrained output spectrum.

When using OOK or ASK, the AGC settings from the SmartRF® Studio preferred FSK and MSK settings are not optimum. application note *DN022 - CC11xx OOK/ASK Register Settings (SWRA215)* provides guidelines on how to find optimum OOK or ASK settings from the preferred settings in SmartRF Studio. The DEVIATN register setting has no effect in either TX or RX when using OOK or ASK.

22.3.3.6 Received Signal Qualifiers and Link Quality Information

The radio has qualifiers that can be used to increase the likelihood that a valid sync word is detected:

- Sync Word Qualifier
- Preamble Quality Threshold
- RSSI
- Carrier Sense
- Clear Channel Assessment
- Link Quality Indicator

Sync Word Qualifier

If sync word detection in RX is enabled in register MDMCFG2, the radio does not start filling the RX FIFO and performing the packet filtering described in before a valid sync word has been detected. The sync word qualifier mode is set by MDMCFG2.SYNC_MODE and is summarized in [Table 22-14](#). Carrier sense is described in .

⁽¹⁾ Identical to offset QPSK with half-sine shaping (data coding may differ)

Table 22-14. Sync Word Qualifier Mode

MDMCFG2.SYNC_MODE	SYNC WORD QUALIFIER MODE
000	No preamble or sync
001	15/16 sync word bits detected
010	16/16 sync word bits detected
011	30/32 sync word bits detected
100	No preamble or sync, carrier sense above threshold
101	15/16 + carrier sense above threshold
110	16/16 + carrier sense above threshold
111	30/32 + carrier sense above threshold

Preamble Quality Threshold (PQT)

The preamble quality threshold (PQT) sync-word qualifier adds the requirement that the received sync word must be preceded with a preamble with a quality above the programmed threshold.

Another use of the preamble quality threshold is as a qualifier for the optional RX termination timer. See [RX Termination Timer](#) for details.

The preamble quality estimator increases an internal counter by one each time a bit is received that is different from the previous bit, and decreases the counter by 8 each time a bit is received that is the same as the last bit. The threshold is configured with the register field PKTCTRL1.PQT. A threshold of $4 \times \text{PQT}$ for this counter is used to gate sync word detection. By setting the value to zero, the preamble quality qualifier of the synch word is disabled.

A preamble quality reached signal can be observed using RFIG11 or using one of the GDO signals by setting IOCFGx.GDOx_CFG = 8. It is also possible to determine if preamble quality is reached by checking the PQT_REACHED bit in the PKTSTATUS register. This signal or bit asserts when the received signal exceeds the PQT.

Received Signal Strength Indicator (RSSI)

The RSSI value is an estimate of the signal power level in the chosen channel. This value is based on the current gain setting in the RX chain and the measured signal level in the channel.

In RX mode, the RSSI value can be read continuously from the RSSI status register until the demodulator detects a sync word (when sync word detection is enabled). At that point the RSSI readout value is frozen until the next time the radio enters the RX state.

NOTE: It takes some time from the radio enters RX mode until a valid RSSI value is present in the RSSI register. Please refer to *DN505 - RSSI interpretation and timing (SWRA114)* for details on how the RSSI response time can be estimated.

The RSSI value is in dBm with $\frac{1}{2}$ -dB resolution. The RSSI update rate, f_{RSSI} , depends on the receiver filter bandwidth ($\text{BW}_{\text{channel}}$ defined in [Section 22.3.3.2](#)) and AGCCTRL0.FILTER_LENGTH.

$$f_{\text{RSSI}} = \frac{2 \times \text{BW}_{\text{channel}}}{8 \times 2^{\text{FILTER_LENGTH}}} \quad (15)$$

If PKTCTRL1.APPEND_STATUS is enabled the last RSSI value of the packet is automatically added to the first byte appended after the payload.

The RSSI value read from the RSSI status register is a 2s complement number. The following procedure can be used to convert the RSSI reading to an absolute power level (RSSI_dBm).

1. Read the RSSI status register
2. Convert the reading from a hexadecimal number to a decimal number (RSSI_dec)
3. If $\text{RSSI_dec} \geq 128$, then $\text{RSSI_dBm} = (\text{RSSI_dec} - 256) / 2 - \text{RSSI_offset}$
4. If $\text{RSSI_dec} < 128$, then $\text{RSSI_dBm} = (\text{RSSI_dec}) / 2 - \text{RSSI_offset}$

See the device-specific data sheet for typical RSSI offset values and for typical RSSI values vs input power levels at various frequencies.

Carrier Sense (CS)

Carrier sense (CS) is used as a sync word qualifier and for CCA and can be asserted based on two conditions, which can be individually adjusted:

- CS is asserted when the RSSI is above a programmable absolute threshold and deasserted when RSSI is below the same threshold (with hysteresis).
- CS is asserted when the RSSI has increased with a programmable number of dB from one RSSI sample to the next and deasserted when RSSI has decreased with the same number of dB. This setting is not dependent on the absolute signal level and is thus useful to detect signals in environments with time varying noise floor.

Carrier sense can be used as a sync word qualifier that requires the signal level to be higher than the threshold for a sync word search to be performed. The signal can also be observed using RFIFG13 or using one of the GDO signals by setting `IOCFGx.GDOx_CFG = 14` and in the status register bit `PKTSTATUS.CS`.

Other uses of carrier sense include the TX-if-CCA function (see [Clear Channel Assessment \(CCA\)](#)) and the optional fast RX termination (see [RX Termination Timer](#)).

CS can be used to avoid interference from other RF sources in the ISM bands.

CS Absolute Threshold

The absolute threshold related to the RSSI value depends on the following register fields:

- `AGCCTRL2.MAX_LNA_GAIN`
- `AGCCTRL2.MAX_DVGA_GAIN`
- `AGCCTRL1.CARRIER_SENSE_ABS_THR`
- `AGCCTRL2.MAGN_TARGET`

For a given `AGCCTRL2.MAX_LNA_GAIN` and `AGCCTRL2.MAX_DVGA_GAIN` setting the absolute threshold can be adjusted ± 7 dB in steps of 1 dB using `CARRIER_SENSE_ABS_THR`.

The `MAGN_TARGET` setting is a compromise between blocker tolerance or selectivity and sensitivity. The value sets the desired signal level in the channel into the demodulator. Increasing this value reduces the headroom for blockers, and therefore close-in selectivity.

It is strongly recommended to use SmartRF Studio to generate the correct `MAGN_TARGET` setting.

[Table 22-15](#) and [Table 22-16](#) show the typical RSSI readout values at the CS threshold at 2.4 kBaud and 250 kBaud data rate respectively. The default `CARRIER_SENSE_ABS_THR = 0` (0 dB) and `MAGN_TARGET = 3` (33 dB) have been used.

For other data rates the user must generate similar tables to find the CS absolute threshold.

Table 22-15. Typical RSSI Value in dBm at CS Threshold With Default `MAGN_TARGET` at 2.4 kBaud, 868 MHz

		MAX_DVGA_GAIN[1:0]			
		00	01	10	11
MAX_LNA_GAIN[2:0]	000	-97.5	-91.5	-85.5	-79.5
	001	-94	-88	-82.5	-76
	010	-90.5	-84.5	-78.5	-72.5
	011	-88	-82.5	-76.5	-70.5
	100	-85.5	-80	-73.5	-68
	101	-84	-78	-72	-66
	110	-82	-76	-70	-64
	111	-79	-73.5	-67	-61

Table 22-16. Typical RSSI Value in dBm at CS Threshold With Default MAGN_TARGET at 250 kBaud, 868 MHz

		MAX_DVGA_GAIN[1:0]			
		00	01	10	11
MAX_LNA_GAIN[2:0]	000	-90.5	-84.5	-78.5	-72.5
	001	-88	-82	-76	-70
	010	-84.5	-78.5	-72	-66
	011	-82.5	-76.5	-70	-64
	100	-80.5	-74.5	-68	-62
	101	-78	-72	-66	-60
	110	-76.5	-70	-64	-58
	111	-74.5	-68	-62	-56

If the threshold is set high (that is, only strong signals are wanted), the threshold should be adjusted upwards by first reducing the MAX_LNA_GAIN value and then the MAX_DVGA_GAIN value. This reduces power consumption in the receiver front end, because the highest gain settings are avoided.

CS Relative Threshold

The relative threshold detects sudden changes in the measured signal level. This setting is not dependent on the absolute signal level and is thus useful to detect signals in environments with a time varying noise floor. The register field AGCCTRL1.CARRIER_SENSE_REL_THR is used to enable or disable relative CS, and to select threshold of 6-dB, 10-dB, or 14-dB RSSI change.

Clear Channel Assessment (CCA)

The CCA is used to indicate if the current channel is free or busy. The current CCA state can be observed by using RFIFG12 or using the GDO signals by setting IOCFGx.GDOx_CFG = 0x09.

MCSM1.CCA_MODE selects the mode to use when determining CCA.

When the STX or SFSTXON command strobe is given while the radio is in the RX state, the TX or FSTXON state is only entered if the clear channel requirements are fulfilled. The radio otherwise remains in RX (if the channel becomes available, the radio does not enter TX or FSTXON state before a new strobe command is sent). This feature is called TX-if-CCA. Four CCA requirements can be programmed:

- Always (CCA disabled, always goes to TX)
- If RSSI is below threshold
- Unless currently receiving a packet
- Both the above (RSSI below threshold and not currently receiving a packet)

Link Quality Indicator (LQI)

The Link Quality Indicator is a metric of the current quality of the received signal. If PKTCTRL1.APPEND_STATUS is enabled, the value is automatically added to the last byte appended after the payload. The value can also be read from the LQI status register. The LQI gives an estimate of how easily a received signal can be demodulated by accumulating the magnitude of the error between ideal constellations and the received signal over the 64 symbols immediately following the sync word. LQI is best used as a relative measurement of the link quality (a low value indicates a better link than what a high value does), since the value is dependent on the modulation format.

22.3.3.7 Radio Control

The radio has a built-in state machine that is used to switch between different operational states (modes). The change of state is done either by using command strobes or by internal events such as TX FIFO underflow.

The complete radio control state diagram is shown in Figure 22-7. The numbers refer to the state number readable in the MARCSTATE status register. This register is primarily for test purposes.

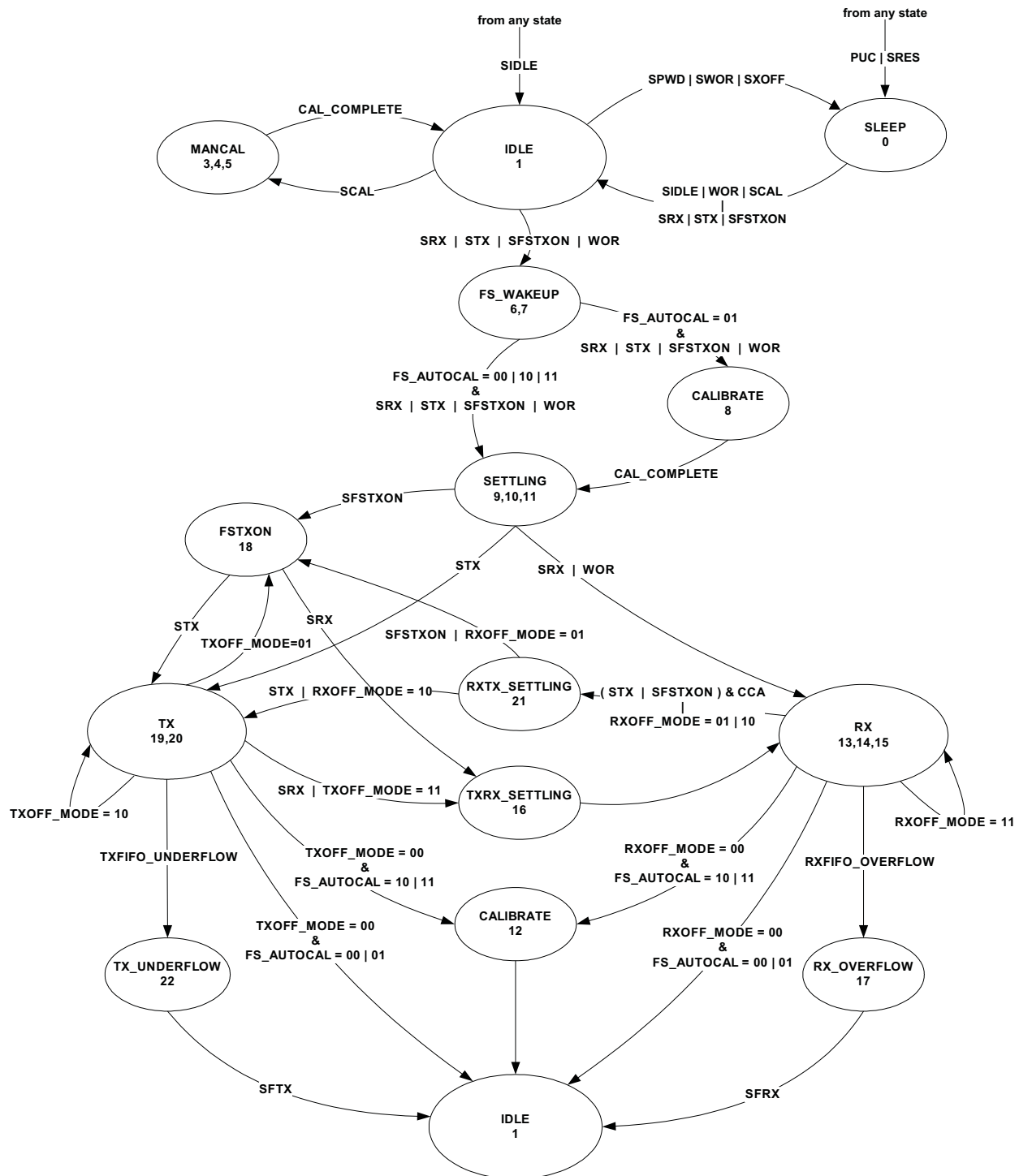


Figure 22-7. Complete Radio-Control State Diagram

Manual Reset

Use the SRES command strobe to globally reset the radio core . By issuing this strobe, all internal registers are reset to their default states and the radio core enters the SLEEP state.

Crystal Control

The RF XT2 crystal oscillator is either automatically controlled or always on, if `MCSM0.XOSC_FORCE_ON=1` or `XT2OFF=0`.

In the automatic mode, the oscillator is turned off if the SPWD, SWOR or SXOFF command strobe is issued. The state machine then goes to SLEEP. This can be done only from the IDLE state. When the radio state machine transitions from the SLEEP state to an active state the RF XT2 oscillator is turned back on. A maximum of 810 us can pass before the RF XT2 oscillator provides a stable clock source - mainly depending on the crystal ESR and load capacitances. To safely transition from SLEEP state (with the oscillator disabled) to an active state using a strobe command the following flow should be used:

- Issue the SIDLE strobe command.
- The CPU must remain active until the RF_RDYn signal transitions to 0 – this can be observed best on the programmable RFINx signals; for example, the GDO2 signal fed to RFIN2 is programmed by default to RF_RDYn.
- Delay any further interaction with the radio until the oscillator is stable - best with a delay loop that delays further program execution by 810us.

If the RF XT2 oscillator is forced on (with `MCSM0.XOSC_FORCE_ON=1` or `XT2OFF=0`), the crystal stays on, even in the SLEEP state.

After a reset the crystal oscillator is off because the state machine is in the SLEEP state, `MCSM0.XOSC_FORCE_ON=0` and `XT2OFF=1`.

Active Modes

The radio has two active modes: receive and transmit. These modes are activated directly by the CPU by using the SRX and STX command strobes.

The frequency synthesizer must be calibrated regularly. There is one manual calibration option (using the SCAL strobe), and three automatic calibration options, controlled by the `MCSM0.FS_AUTOCAL` setting:

- Calibrate when going from IDLE to either RX or TX (or FSTXON)
- Calibrate when going from either RX or TX to IDLE automatically
- Calibrate every fourth time when going from either RX or TX to IDLE automatically

If the radio goes from TX or RX to IDLE by issuing an SIDLE strobe, calibration is not performed. The calibration takes a constant number of crystal oscillator cycles (see [Table 22-17](#) for timing details).

When RX is activated, the radio remains in receive mode until a packet is successfully received or the RX termination timer expires (see [RX Termination Timer](#)). The probability that a false sync word is detected can be reduced by using PQT, CS, maximum sync word length, and sync word qualifier mode as described in [Section 22.3.3.6](#).

After a packet is successfully received, the radio controller goes to the state indicated by the `MCSM1.RXOFF_MODE` setting. The possible destinations are:

- IDLE
- FSTXON: Frequency synthesizer on and ready at the TX frequency. Activate TX with STX.
- TX: Start sending preamble
- RX: Start search for a new packet

NOTE: When `MCSM1.RXOFF_MODE=11` and a packet has been received, it takes some time before a valid RSSI value is present in the RSSI register again even if the radio never exited RX mode. This time is the same as the RSSI response time discussed in *DN505 - RSSI interpretation and timing* (SWRA114).

Similarly, when TX is active the radio remains in the TX state until the current packet has been successfully transmitted. Then the state changes as indicated by the MCSM1.TXOFF_MODE setting. The possible destinations are the same as for RX.

The CPU can manually change the state from RX to TX and vice versa by using the command strobes. If the radio controller is currently in transmit and the SRX strobe is used, the current transmission is ended and the transition to RX is done.

If the radio controller is in RX when the STX or SFSTXON command strobes are used, the TX-if-CCA function is used. If the channel is not clear, the radio remains in RX. The MCSM1.CCA_MODE setting controls the conditions for clear channel assessment (see [Clear Channel Assessment \(CCA\)](#) for details).

The SIDLE command strobe can always be used to force the radio controller to go to the IDLE state.

Wake On Radio (WOR) Timer

The Wake on Radio (WOR) timer functionality can be used to wake up the radio core periodically and listen for incoming packets.

When the SWOR strobe command is sent the radio core goes to the SLEEP state. The WOR timer function can be enabled with WORCTRL.ACLK_PD = 0 before the SWOR strobe is used otherwise the SWOR strobe automatically clears it and the WOR timer starts. The WOR timer has two events, Event 0 and Event 1. Event 1 follows Event 0 after a programmed timeout. The WOR timer generates interrupt signals on Event 0 and Event 1 setting RFIFG14 and RFIFG15, respectively.

The time between two consecutive Event 0 is programmed with a mantissa value given by WOREVT1.EVENT0 and WOREVT0.EVENT0, and an exponent value set by WORCTRL.WOR_RES. The equation is:

$$t_{Event0} = 1 / f_{ACLK} \times EVENT0 \times 2^{5 \times WOR_RES} \tag{16}$$

The Event 1 timeout is programmed with WORCTRL.EVENT1. [Figure 22-8](#) shows the timing relationship between Event 0 timeout and Event 1 timeout.

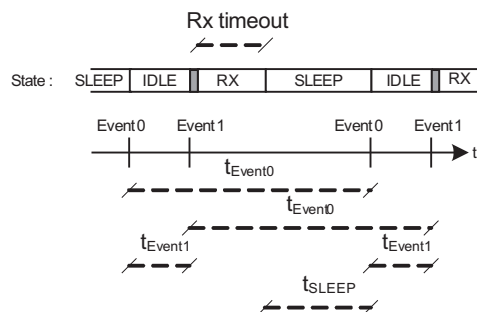


Figure 22-8. Event 0 and Event 1 Relationship

The time from entering the SLEEP state until the next Event 0 (t_{SLEEP} in [Figure 22-8](#)) should be larger than 11.72 ms when $f_{ACLK} = 32.768\text{kHz}$. If t_{SLEEP} is less than 11.72 ms, there is a chance that the consecutive Event 0 can occur $(1 / f_{ACLK}) \times 128$ seconds too early.

The program flow to use the WOR feature is as follows:

- The RFIFG14 interrupt flag can be used to wake the CPU on WOR timer Event 0. Then the CPU must strobe SIDLE to wake the radio core.
- The CPU must remain active until the RF_RDYn signal transitions to 0 – this can be observed best on the programmable RFINx signals; for example, the GDO2 signal fed to RFIN2 is programmed by default to RF_RDYn.
- On WOR timer Event 1 the radio automatically transitions into the RX state.
- After a programmable time in RX, the radio returns to the SLEEP state, unless a packet is received. See [Figure 22-8](#) and [RX Termination Timer](#) for details on how the timeout works.
- The radio core can signal the CPU that a packet has been received by using the radio core interrupts. If a packet is received, the MCSM1.RXOFF_MODE determines the behavior at the end of the received

packet. When the CPU has acknowledged that a packet was received, it can put the radio back into SLEEP with the SWOR strobe from the IDLE state. The RX FIFO can be read during SLEEP.

- Set the radio core into the SLEEP or IDLE state to exit WOR mode and disable the WOR timer with WORCTRL.ACLK_PD = 1.

If the WOR feature is used together with low-power mode LPM3 the guidelines given in section [Section 22.2.4 "Using Radio with Low-Power Modes"](#) must be followed.

Timing

The radio controller controls most of the timing, such as synthesizer calibration, PLL lock time, and RX or TX turnaround times. Timing from IDLE to RX and IDLE to TX is constant, dependent on the auto calibration setting. RX-to-TX and TX-to-RX turnaround times are constant. The calibration time is constant 18739 clock periods. [Table 22-17](#) shows timing in crystal clock cycles for key state transitions. RF XT2 oscillator start-up times are variable.

Note that in a frequency hopping spread spectrum or a multi-channel protocol, the calibration time can be reduced from 721 μ s to approximately 150 μ s (see [Section 22.3.4.2](#)).

Table 22-17. State Transition Timing

DESCRIPTION	RF XT2 PERIODS	26-MHz CRYSTAL
IDLE to RX, no calibration	2298	88.4 μ s
IDLE to RX, with calibration	~21037	809 μ s
IDLE to TX or FSTXON, no calibration	2298	88.4 μ s
IDLE to TX or FSTXON, with calibration	~21037	809 μ s
TX to RX switch	560	21.5 μ s
RX to TX switch	250	9.6 μ s
RX or TX to IDLE, no calibration	2	0.1 μ s
RX or TX to IDLE, with calibration	~18739	721 μ s
Manual calibration	~18739	721 μ s

RX Termination Timer

The radio has optional functions for automatic termination of RX after a programmable time. The main use for this functionality is wake-on-radio (WOR), but it may be useful for other applications. The termination timer starts when in RX state. The timeout is programmable with the MCSM2.RX_TIME setting. When the timer expires, the radio controller checks the condition for staying in RX. If the condition is not met, RX terminates.

The programmable conditions are:

- MCSM2.RX_TIME_QUAL = 0
Continue receive if sync word has been found
- MCSM2.RX_TIME_QUAL = 1
Continue receive if sync word has been found or preamble quality is above threshold (PQT)

If the system can expect the transmission to have started when enabling the receiver, the MCSM2.RX_TIME_RSSI function can be used. The radio controller then terminates RX if the first valid carrier sense sample indicates no carrier (RSSI below threshold) (see for details on Carrier Sense).

For ASK or OOK modulation, lack of carrier sense is only considered valid after eight symbol periods. Thus, the MCSM2.RX_TIME_RSSI function can be used in ASK or OOK mode when the distance between "1" symbols is 8 or less.

If RX terminates due to no carrier sense when the MCSM2.RX_TIME_RSSI function is used, or if no sync word was found when using the MCSM2.RX_TIME timeout function, the radio goes back to IDLE if WOR is disabled and back to SLEEP if WOR is enabled. Otherwise, the MCSM1.RXOFF_MODE setting determines the state to go to when RX ends. This means that the radio does not automatically go back to SLEEP once a sync word has been received. It is therefore recommended to always wake up the CPU on sync word detection when using WOR mode (RFIFG9 or a GDO signal with GDOx_CFG=6).

22.3.3.8 Data FIFO

The radio contains two 64 byte FIFOs, one for received data and one for data to be transmitted. The instructions SNGLRXRD and RXFIFORD can be used to read from the RX FIFO and the instructions SNGLTXWR and TXFIFOWR can be used write to the TX FIFO.

The FIFO controller detects overflow in the RX FIFO and underflow in the TX FIFO.

When writing to the TX FIFO, it is the responsibility of the application software to avoid TX FIFO overflow. A TX FIFO overflow results in an error in the TX FIFO content.

Likewise, when reading the RX FIFO, the software must avoid reading the RX FIFO past its empty value, because an RX FIFO underflow results in an error in the data read out of the RX FIFO.

The status byte that is return each time an instruction is sent to the radio core contains the fill grade of the RX FIFO if the access is a read operation and the fill grade of the TX FIFO if the access is a write operation.

The number of bytes in the RX FIFO and TX FIFO can be read from the status registers RXBYTES.NUM_RXBYTES and TXBYTES.NUM_TXBYTES respectively. If a received data byte is written to the RX FIFO at the exact same time as the last byte in the RX FIFO is read, the RX FIFO pointer is not properly updated and the last read byte is duplicated. To avoid this problem one should never empty the RX FIFO before the last byte of the packet is received.

For packet lengths less than 64 bytes it is recommended to wait until the complete packet has been received before reading the RX FIFO.

If the packet length is larger than 64 bytes the CPU must determine how many bytes can be read from the RX FIFO (RXBYTES.NUM_RXBYTES-1) and the following software routine can be used:

1. Read RXBYTES.NUM_RXBYTES repeatedly at a rate ensured to be at least twice that at which RF bytes are received until the same value is returned twice. Store value in n.
2. If $n < \#$ of bytes remaining in packet, read $n - 1$ bytes from the RX FIFO.
3. Repeat steps 1 and 2 until $n = \#$ of bytes remaining in packet.
4. Read the remaining bytes from the RX FIFO.

The 4-bit FIFOTHR.FIFO_THR setting is used to program threshold points in the FIFOs. [Table 22-18](#) lists the 16 FIFO_THR settings and the corresponding thresholds for the RX and TX FIFOs. The threshold value is coded in opposite directions for the RX FIFO and TX FIFO. This gives equal margin to the overflow and underflow conditions when the threshold is reached.

A signal asserts when the number of bytes in the FIFO is equal to or higher than the programmed threshold. This signal can be observed using the GDOx signals as well as the corresponding radio core interrupt flags RFIFGx.

[Figure 22-10](#) shows the number of bytes in both the RX FIFO and TX FIFO when the threshold signal toggles, in the case of FIFO_THR = 13. [Figure 22-9](#) shows the signal as the respective FIFO is filled above the threshold, and then drained below.

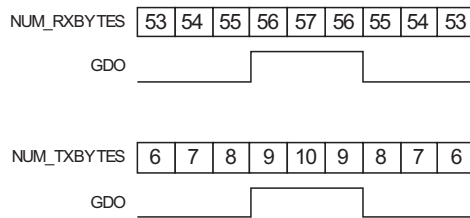


Figure 22-9. FIFO_THR = 13 vs Number of Bytes in FIFO (GDOx_CFG = 0x00 in RX and GDOx_CFG = 0x02 in TX)

Table 22-18. FIFO_THR Settings and the Corresponding FIFO Thresholds

FIFO_THR	BYTES IN TX FIFO	BYTES IN RX FIFO
0 (0000)	61	4
1 (0001)	57	8
2 (0010)	53	12
3 (0011)	49	16
4 (0100)	45	20
5 (0101)	41	24
6 (0110)	37	28
7 (0111)	33	32
8 (1000)	29	36
9 (1001)	25	40
10 (1010)	21	44
11 (1011)	17	48
12 (1100)	13	52
13 (1101)	9	56
14 (1110)	5	60
15 (1111)	1	64

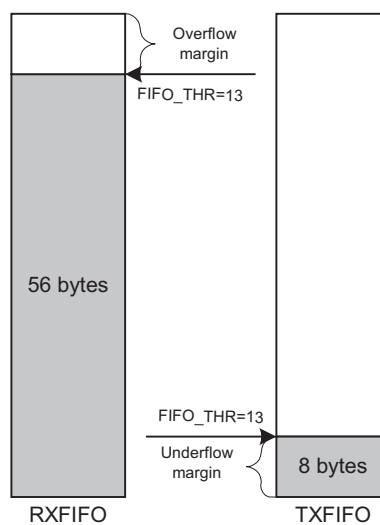


Figure 22-10. Example of FIFOs at Threshold

22.3.3.9 Frequency Programming

The frequency programming is designed to minimize the programming needed in a channel-oriented system.

To set up a system with channel numbers, the desired channel spacing is programmed with the MDMCFG0.CHANSPC_M and MDMCFG1.CHANSPC_E registers. The channel spacing registers are mantissa and exponent respectively.

The base or start frequency is set by the 24-bit frequency word located in the FREQ2, FREQ1, and FREQ0 registers. This word is typically set to the center of the lowest channel frequency that is to be used.

The desired channel number is programmed with the 8-bit channel number register, CHANNR.CHAN, which is multiplied by the channel offset. The resultant carrier frequency is given by:

$$f_{\text{carrier}} = \frac{f_{\text{XOSC}}}{2^{16}} \times (\text{FREQ} + \text{CHAN} \times ((256 + \text{CHANSPC_M}) \times 2^{\text{CHANSPC_E} - 2})) \quad (17)$$

With a 26-MHz crystal the maximum channel spacing is 405 kHz. To get, for example, 1-MHz channel spacing one solution is to use 333-kHz channel spacing and select each third channel in CHANNR.CHAN.

The preferred IF frequency is programmed with the FSCTRL1.FREQ_IF register. The IF frequency is given by:

$$f_{\text{IF}} = \frac{f_{\text{XOSC}}}{2^{10}} \times \text{FREQ_IF} \quad (18)$$

NOTE: The SmartRF Studio software automatically calculates the optimum FSCTRL1.FREQ_IF register setting based on channel spacing and channel filter bandwidth.

If any frequency programming register is altered when the frequency synthesizer is running, the synthesizer may give an undesired response. Hence, the frequency programming should only be updated when the radio is in the IDLE state.

22.3.3.10 VCO

The VCO is completely integrated on-chip.

VCO and PLL Self-Calibration

The VCO characteristics vary with temperature and supply voltage changes, as well as the desired operating frequency. To ensure reliable operation, the radio includes a frequency synthesizer self-calibration circuitry. This calibration should be done regularly, and must be performed after turning on power and before using a new frequency (or channel). The number of RF XT2 oscillator cycles for completing the PLL calibration is given in [Table 22-17](#).

The calibration can be initiated automatically or manually. The synthesizer can be automatically calibrated each time the synthesizer is turned on, or each time the synthesizer is turned off automatically. This is configured with the MCSM0.FS_AUTOCAL register setting. In manual mode, the calibration is initiated when the SCAL command strobe is activated in the IDLE mode.

The calibration values are maintained in SLEEP mode, so the calibration is still valid after waking up from SLEEP mode unless supply voltage or temperature has changed significantly.

To check that the PLL is in lock, the user can program register IOCFGx.GDOx_CFG to 0x0A and use the lock detector output as an interrupt source for the RF interrupt flags RFIFGx with x = 0,1, or 2. A positive transition means that the PLL is in lock. As an alternative the user can read register FSCAL1. The PLL is in lock if the register content is different from 0x3F (see also the errata notes). For more robust operation the source code could include a check so that the PLL is re-calibrated until PLL lock is achieved if the PLL does not lock the first time.

22.3.3.11 Output Power Programming

The RF output power level has two levels of programmability, as illustrated in Figure 22-11. Firstly, the special PATABLE register can hold up to eight user selected output power settings. Secondly, the 3-bit FRENDO.PA_POWER value selects the PATABLE entry to use. This two-level functionality provides flexible PA power ramp up and ramp down at the start and end of transmission, as well as ASK modulation shaping. All the PA power settings in the PATABLE from index 0 up to the FRENDO.PA_POWER value are used.

The power ramping at the start and at the end of a packet can be turned off by setting FRENDO.PA_POWER to zero and then program the desired output power to index 0 in the PATABLE.

If OOK modulation is used, the logic 0 and logic 1 power levels shall be programmed to index 0 and 1 respectively.

Refer to the device-specific data sheet for recommended PATABLE settings for various output levels and frequency bands. Note that PA settings from 0x61 to 0x6F are not allowed. The data sheet also list output power and current consumption for the default PATABLE setting (0xC6).

22.3.3.12 Shaping and PA Ramping

With ASK modulation, up to eight power settings are used for shaping. The modulator contains a counter that counts up when transmitting a one and down when transmitting a zero. The counter counts at a rate equal to 8 times the symbol rate. The counter saturates at FRENDO.PA_POWER and 0 respectively. This counter value is used as an index for a lookup in the power table. Thus, to utilize the whole table, FRENDO.PA_POWER should be 7 when ASK is active. The shaping of the ASK signal is dependent on the configuration of the PATABLE.

Figure 22-12 shows some examples of ASK shaping.

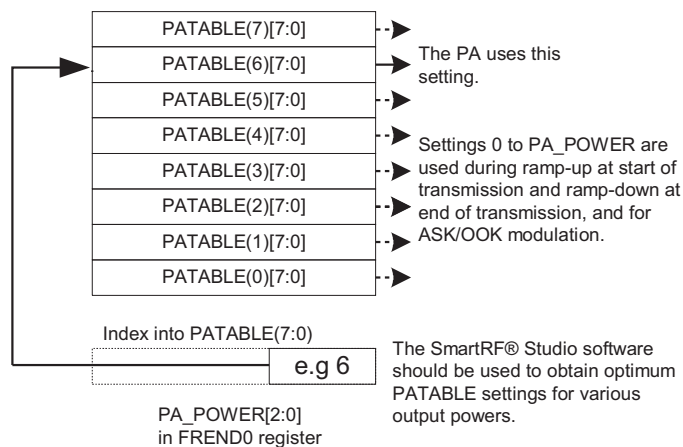


Figure 22-11. PA_POWER and PATABLE

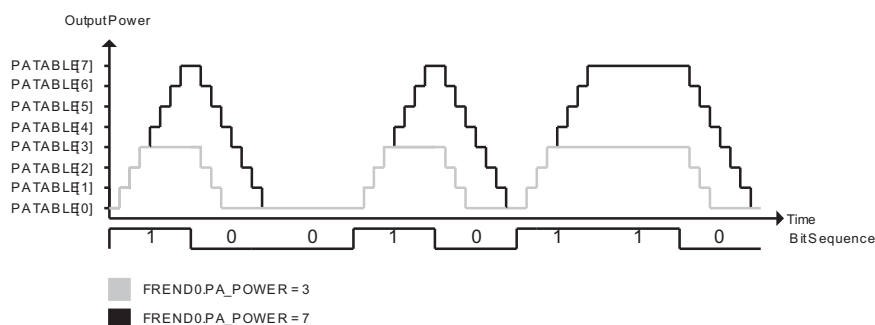


Figure 22-12. Shaping of ASK Signal

22.3.3.13 Asynchronous and Synchronous Serial Operation

Several features and modes of operation have been included in the radio core to provide backward compatibility with previous radios and other existing RF communication systems. For new systems, it is recommended to use the built-in packet handling features, as they can give more robust communication, significantly offload the CPU, and simplify software development.

Asynchronous Serial Operation

For backward compatibility with existing systems the asynchronous data transfer is included. When asynchronous transfer is enabled, several of the support mechanisms, such as packet handling, buffering in the FIFO, and so on, are disabled. The asynchronous transfer mode does not allow the use of the data whitener, and it is not possible to use Manchester encoding. MSK is not supported for asynchronous transfer.

Setting PKTCTRL0.PKT_FORMAT to 3 enables asynchronous serial mode.

The TX data is taken from a Timer_A capture/compare output (see the device-specific data sheet) or the GDO0 pin can be used for data input (TX data) with GDO0_CFGx = 0x2D. In this case the pin is automatically configured as an input when TX is active. The RX data is provided to a Timer_A capture/compare input (see the device-specific data sheet) and can be on GDO0, GDO1, or GDO2 according to their GDOx_CFG settings.

The modulator of the radio samples the level of the asynchronous input 8 times faster than the programmed data rate. The timing requirement for the asynchronous stream is that the error in the bit period must be less than one eighth of the programmed data rate.

Synchronous Serial Operation

Setting PKTCTRL0.PKT_FORMAT to 1 enables synchronous serial mode. In the synchronous serial mode, data is transferred on a two wire serial interface. The radio core provides a clock that is used to set up new data on the data input line or sample data on the data output line. The TX data is taken from a Timer_A capture/compare output (see the device-specific data sheet) or the GDO0 pin can be used for data input (TX data) with GDO0_CFGx = 0x2D. In this case the pin is automatically configured as an input when TX is active. The RX data is provided to a Timer_A capture/compare input (see the device-specific data sheet) and can be on GDO0, GDO1, or GDO2 according to their GDOx_CFG settings.

Preamble and sync word insertion or detection may or may not be active, dependent on the sync mode set by the MDMCFG2.SYNC_MODE. If preamble and sync word is disabled, all other packet handler features must be disabled and the preamble and sync word insertion and detection must be handled in software. If preamble and sync word insertion or detection is left on, all packet handling features can be used except of the address filtering feature.

When using the packet handling features in synchronous serial mode, the radio inserts and detects the preamble and sync word, and the application software only provides or receives the data payload. This is equivalent to the recommended FIFO operation mode.

22.3.4 System Considerations and Guidelines

22.3.4.1 SRD Regulations

International regulations and national laws regulate the use of radio receivers and transmitters. Short range devices (SRDs) for license-free operation below 1 GHz are usually operated in the 433 MHz, 868 MHz, or 915 MHz frequency bands. The CC1101 radio is specifically designed for such use with its 300 MHz to 348 MHz, 389 MHz to 464 MHz, and 779 MHz to 928 MHz operating ranges. The most important regulations when using a CC1101-based radio in the 433 MHz, 868 MHz, or 915 MHz frequency bands are EN 300 220 (Europe) and FCC CFR47 Part 15 (USA). A summary of the most important aspects of these regulations can be found in *SRD Regulations for Licence Free Transceiver Operation (SWRA090)*.

NOTE: Compliance with regulations is dependent on complete system performance. It is the customer's responsibility to ensure that the system complies with regulations.

22.3.4.2 Frequency Hopping and Multi-Channel Systems

The 315 MHz, 433 MHz, 868 MHz, or 915 MHz bands are shared by many systems both in industrial, office, and home environments. It is therefore recommended to use frequency hopping spread spectrum (FHSS) or a multi-channel protocol because the frequency diversity makes the system more robust with respect to interference from other systems operating in the same frequency band. FHSS also combats multipath fading.

The CC1101-based radio is highly suited for FHSS or multi-channel systems due to its agile frequency synthesizer and effective communication interface. Using the packet handling support and data buffering is also beneficial in such systems, as these features significantly offload the host controller.

Charge pump current, VCO current, and VCO capacitance array calibration data is required for each frequency when implementing frequency hopping. There are three ways of obtaining the calibration data from the radio:

1. Frequency hopping with calibration for each hop. The PLL calibration time is approximately 720 μ s. The blanking interval between each frequency hop is then approximately 810 μ s.
2. Fast frequency hopping without calibration for each hop can be done by performing the necessary calibrating at startup and saving the resulting FSCAL3, FSCAL2, and FSCAL1 register values in memory. The VCO capacitance calibration FSCAL1 register value must be found for each RF frequency to be used. The VCO current calibration value and the charge pump current calibration value available in FSCAL2 and FSCAL3 respectively are not dependent on the RF frequency, so the same value can therefore be used for all RF frequencies for these two registers. Between each frequency hop, the calibration process can then be replaced by writing the FSCAL3, FSCAL2 and FSCAL1 register values that corresponds to the next RF frequency. The PLL turn on time is approximately 90 μ s. The blanking interval between each frequency hop is then approximately 90 μ s.
3. Run calibration on a single frequency at startup. Next, write 0 to FSCAL3[5:4] to disable the charge-pump calibration. After writing to FSCAL3[5:4], strobe SRX (or STX) with MCSM0_FS_AUTOCAL = 1 for each new frequency hop. That is, VCO current and VCO capacitance calibration are done but not charge-pump current calibration. When charge pump current calibration is disabled, the calibration time is reduced from approximately 720 μ s to approximately 150 μ s. The blanking interval between each frequency hop is then approximately 240 μ s.

There is a trade off between blanking time and memory space needed for storing calibration data in non-volatile memory. Solution 2 above gives the shortest blanking interval, but requires more memory space to store calibration values. This solution also requires that the supply voltage and temperature do not vary much in order to have a robust solution. Solution 3 gives approximately 570 μ s smaller blanking interval than solution 1.

The recommended settings for TEST0.VCO_SEL_CAL_EN change with frequency. Therefore, SmartRF Studio should be used to determine the correct settings for a specific frequency before doing a calibration, regardless of which calibration method is used.

22.3.4.3 Wideband Modulation Not Using Spread Spectrum

Digital modulation systems under FFC Part 15.247 include 2-FSK and 2-GFSK modulation. A maximum peak output power of 1 W (+30 dBm) is allowed if the 6-dB bandwidth of the modulated signal exceeds 500 kHz. In addition, the peak power spectral density conducted to the antenna shall not be greater than 8 dBm in any 3-kHz band.

Operating at high data rates and frequency separation, the CC1101-based radio is suited for systems targeting compliance with digital modulation system as defined by FFC part 15.247. An external power amplifier is needed to increase the output above 10 dBm.

22.3.4.4 Wireless MBUS

The wireless MBUS standard is a communication standard for meters and wireless readout of meters, and specifies the physical and the data link layer. Power consumption is a critical parameter for the meter side, since the communication link should be operative for the full lifetime of the meter without changing the battery. MSP430 with an CC1101-based radio is an excellent choice for the Wireless MBUS standard. For more information regarding see [AN067 - Wireless MBUS Implementation with CC1101 and MSP430 \(SWRA234\)](#). Since the Wireless MBUS standard operates in the 868-870 ISM band, the radio requirements must also comply with the ETSI EN 300 220 and CEPT/ERC/REC 70-03 E standards.

22.3.4.5 Data Burst Transmissions

The high maximum data rate of the CC1101-based radio allows burst transmissions. A low average data rate link (for example, 10 kBaud), can be realized using a higher over-the-air data rate. Buffering the data and transmitting in bursts at high data rate (for example, 500 kBaud) reduces the time in active mode and, therefore, reduces the average current consumption significantly. Reducing the time in active mode reduces the likelihood of collisions with other systems in the same frequency range.

NOTE: The sensitivity and thus transmission range is reduced for high data rate bursts compared to lower data rates.

22.3.4.6 Continuous Transmissions

In data streaming applications, the CC1101-based radio allows continuous transmissions at 500-kBaud effective data rate. As the modulation is done with a closed-loop PLL, there is no limitation on the length of a transmission (open-loop modulation used in some transceivers often prevents this continuous data streaming and reduces the effective data rate).

22.3.4.7 Spectrum Efficient Modulation

The CC1101-based radio also allows the use of Gaussian shaped 2-FSK (2-GFSK). This spectrum-shaping feature improves adjacent channel power (ACP) and occupied bandwidth. In true 2-FSK systems with abrupt frequency shifting, the spectrum is inherently broad. By making the frequency shift softer, the spectrum can be made significantly narrower. Thus, higher data rates can be transmitted in the same bandwidth using 2-GFSK.

22.3.4.8 Low Cost Systems

As the CC1101-based radio provides 0.8 to 500 kBaud multi-channel performance without any external SAW or loop filters, a very low-cost system can be made.

A differential antenna eliminates the need for a balun, and the dc biasing can be achieved in the antenna topology.

22.3.4.9 Battery Operated Systems

In low-power applications, the SLEEP state with the crystal oscillator core switched off should be used when the radio is not active. The crystal oscillator core can be left running in the SLEEP state if start-up time is critical.

The WOR functionality should be used in low power applications.

22.3.4.10 Increasing Output Power

In some applications, it may be necessary to extend the link range. Adding an external power amplifier is the most effective way to do this.

The power amplifier should be inserted between the antenna and the balun, and two T/R switches are needed to disconnect the PA in RX mode (see [Figure 22-13](#)).

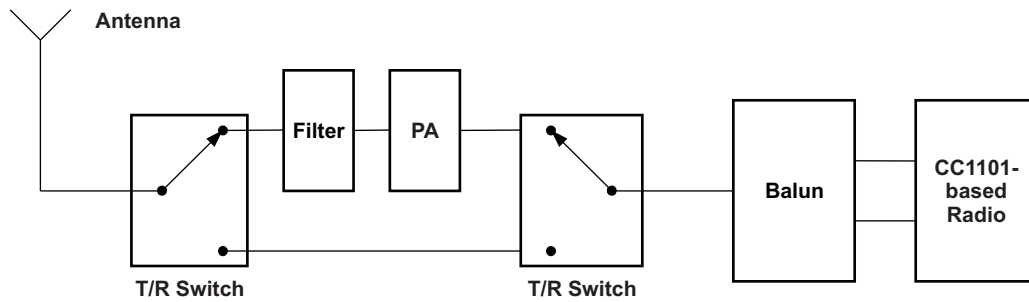


Figure 22-13. Block Diagram of CC1101-based Radio With External Power Amplifier

22.3.5 Radio Core Registers

The configuration of radio core is done by programming 8-bit registers. The optimum configuration based on selected system parameters is most easily found by using the SmartRF Studio software. Complete descriptions of the registers are given in the following tables. After reset (PUC or command strobe SRES), all the registers have default values as shown in the tables. The optimum register setting might differ from the default value.

There are 47 normal 8-bit configuration registers, listed in [Table 22-19](#). Many of these registers are for test purposes only and need not be written for normal operation.

There are also 12 status registers, listed in [Table 22-20](#). These registers, which are read-only, contain information about the status of radio core.

Table 22-19. Configuration Registers

ADDRESS	REGISTER	DESCRIPTION
0x00	IOCFG2	GDO2 output configuration
0x01	IOCFG1	GDO1 output configuration
0x02	IOCFG0	GDO0 output configuration
0x03	FIFOTHR	RX FIFO and TX FIFO thresholds
0x04	SYNC1	Sync word, high byte
0x05	SYNC0	Sync word, low byte
0x06	PKTLEN	Packet length
0x07	PKTCTRL1	Packet automation control
0x08	PKTCTRL0	Packet automation control
0x09	ADDR	Device address
0x0A	CHANNR	Channel number
0x0B	FSCTRL1	Frequency synthesizer control
0x0C	FSCTRL0	Frequency synthesizer control
0x0D	FREQ2	Frequency control word, high byte
0x0E	FREQ1	Frequency control word, middle byte
0x0F	FREQ0	Frequency control word, low byte
0x10	MDMCFG4	Modem configuration
0x11	MDMCFG3	Modem configuration
0x12	MDMCFG2	Modem configuration
0x13	MDMCFG1	Modem configuration
0x14	MDMCFG0	Modem configuration
0x15	DEVIATN	Modem deviation setting
0x16	MCSM2	Main radio control state machine configuration
0x17	MCSM1	Main radio control state machine configuration
0x18	MCSM0	Main radio control state machine configuration
0x19	FOCCFG	Frequency offset compensation configuration
0x1A	BSCFG	Bit synchronization configuration
0x1B	AGCCTRL2	AGC control
0x1C	AGCCTRL1	AGC control
0x1D	AGCCTRL0	AGC control
0x1E	WOREVT1	High byte Event 0 timeout
0x1F	WOREVT0	Low byte Event 0 timeout
0x20	WORCTRL	Wake-on-radio control
0x21	FREND1	Front-end RX configuration
0x22	FREND0	Front-end TX configuration
0x23	FSCAL3	Frequency synthesizer calibration
0x24	FSCAL2	Frequency synthesizer calibration
0x25	FSCAL1	Frequency synthesizer calibration
0x26	FSCAL0	Frequency synthesizer calibration
0x27		Reserved - read as "0"
0x28		Reserved - read as "0"
0x29	FSTEST	Frequency synthesizer calibration control
0x2A	PTEST	Production test
0x2B	AGCTEST	AGC test
0x2C	TEST2	Various test settings
0x2D	TEST1	Various test settings
0x2E	TEST0	Various test settings

Table 22-20. Status Registers

ADDRESS	REGISTER	DESCRIPTION
0x30	PARTNUM	Part number
0x31	VERSION	Current version number
0x32	FREQEST	Frequency offset estimate
0x33	LQI	Demodulator estimate for link quality
0x34	RSSI	Received signal strength indication
0x35	MARCSTATE	Control state machine state
0x36	WORTIME1	High byte of WOR timer
0x37	WORTIME0	Low byte of WOR timer
0x38	PKTSTATUS	Current GDOx status and packet status
0x39	VCO_VC_DAC	Current setting from PLL calibration module
0x3A	TXBYTES	Underflow and number of bytes in the TX FIFO
0x3B	RXBYTES	Overflow and number of bytes in the RX FIFO

22.3.5.1 Radio Core Configuration Register Details

0x00: IOCFG2 – GDO2 Output Configuration

BIT	FIELD NAME	RESET	R/W	DESCRIPTION
7	Reserved		R0	
6	GDO2_INV	0	R/W	Invert output; that is, select active low (1) or active high (0)
5:0	GDO2_CFG[5:0]	41 (0x29)	R/W	Signal selection according to Table 22-21 . Default is RF_RDYn.

0x01: IOCFG1 – GDO1 Output Configuration

BIT	FIELD NAME	RESET	R/W	DESCRIPTION
7	Reserved		R0	
6	GDO1_INV	0	R/W	Invert output; that is, select active low (1) or active high (0)
5:0	GDO1_CFG[5:0]	46 (0x2E)	R/W	Signal selection according to Table 22-21 . Default is 3-state.

0x02: IOCFG0 – GDO0 Output Configuration

BIT	FIELD NAME	RESET	R/W	DESCRIPTION
7	Reserved		R0	
6	GDO0_INV	0	R/W	Invert output; that is, select active low (1) or active high (0)
5:0	GDO0_CFG[5:0]	46 (0x2E)	R/W	Signal selection according to Table 22-21 . Default is 3-state.

Table 22-21. GDOx Signal Selection (x = 0, 1, or 2)

GDOx_CFG[5:0]	DESCRIPTION
0 (0x00)	Associated to the RX FIFO: Asserts when RX FIFO is filled at or above the RX FIFO threshold. Deasserts when RX FIFO is drained below the same threshold.
1 (0x01)	Associated to the RX FIFO: Asserts when RX FIFO is filled at or above the RX FIFO threshold or the end of packet is reached. Deasserts when the RX FIFO is empty.
2 (0x02)	Associated to the TX FIFO: Asserts when the TX FIFO is filled at or above the TX FIFO threshold. Deasserts when the TX FIFO is below the same threshold.
3 (0x03)	Associated to the TX FIFO: Asserts when TX FIFO is full. Deasserts when the TX FIFO is drained below the TX FIFO threshold.
4 (0x04)	Asserts when the RX FIFO has overflowed. Deasserts when the FIFO has been flushed.
5 (0x05)	Asserts when the TX FIFO has underflowed. Deasserts when the FIFO is flushed.
6 (0x06)	Asserts when sync word has been sent or received, and deasserts at the end of the packet. In RX, the pin deasserts when the optional address check fails or the RX FIFO overflows. In TX the pin deasserts if the TX FIFO underflows.
7 (0x07)	Asserts when a packet has been received with CRC OK. Deasserts when the first byte is read from the RX FIFO.
8 (0x08)	Preamble Quality Reached. Asserts when the PQI is above the programmed PQT value.
9 (0x09)	Clear channel assessment. High when RSSI level is below threshold (dependent on the current CCA_MODE setting).
10 (0x0A)	Lock detector output. The PLL is in lock if the lock detector output has a positive transition or is constantly logic high. To check for PLL lock the lock detector output should be used as an interrupt source.
11 (0x0B)	Serial Clock. Synchronous to the data in synchronous serial mode. In RX mode, data is set up on the falling edge when GDOx_INV=0. In TX mode, data is sampled on the rising edge of the serial clock when GDOx_INV=0.
12 (0x0C)	Serial Synchronous Data Output. Used for synchronous serial mode.
13 (0x0D)	Serial Data Output. Used for asynchronous serial mode.
14 (0x0E)	Carrier sense. High if RSSI level is above threshold.
15 (0x0F)	CRC_OK. The last CRC comparison matched. Cleared when entering/restarting RX mode.
16 (0x10)	Reserved – used for test.
17 (0x11)	Reserved – used for test.
18 (0x12)	Reserved – used for test.
19 (0x13)	Reserved – used for test.
20 (0x14)	Reserved – used for test.
21 (0x15)	Reserved – used for test.
22 (0x16)	RX_HARD_DATA[1]. Can be used together with RX_SYMBOL_TICK for alternative serial RX output.
23 (0x17)	RX_HARD_DATA[0]. Can be used together with RX_SYMBOL_TICK for alternative serial RX output.
24 (0x18)	Reserved – used for test.
25 (0x19)	Reserved – used for test.

Table 22-21. GDOx Signal Selection (x = 0, 1, or 2) (continued)

26 (0x1A)	Reserved – used for test.
27 (0x1B)	PA power down signal to control an external PA and/or RX/TX switch.
28 (0x1C)	LNA power down signal to control an external LNA and/or RX/TX switch.
29 (0x1D)	RX_SYMBOL_TICK. Can be used together with RX_HARD_DATA for alternative serial RX output.
30 (0x1E)	RSSI_VALID.
31 (0x1F)	RX_TIMEOUT.
32 (0x20)	Reserved – used for test.
33 (0x21)	Reserved – used for test.
34 (0x22)	Reserved – used for test.
35 (0x23)	Reserved – used for test.
36 (0x24)	WOR_EVENT0.
37 (0x25)	WOR_EVENT1.
38 (0x26)	Reserved – used for test.
39 (0x27)	CLK_32k
40 (0x28)	Reserved – used for test.
41 (0x29)	RF_RDYn
42 (0x2A)	Reserved – used for test.
43 (0x2B)	XOSC_STABLE
44 (0x2C)	Reserved – used for test.
45 (0x2D)	On GDO1 and GDO2 this signal indicates, when 0, that GDO0 is configured as input (when GDO0_CFG = 0x2D) or that serial TX data is taken from the Timer_A (when GDO0_CFG ≠ 0x2D). If GDO0_CFG = 0x2D the serial input data is taken from GDO0 otherwise it is taken from Timer_A.
46 (0x2E)	Tri-State.
47 (0x2F)	Hard-wired to 0. (Hard-wired to 1 can be achieved by setting GDOx_INV=1.)
48 (0x30)	RFCLK/1 ⁽¹⁾
49 (0x31)	RFCLK/1.5 ⁽¹⁾
50 (0x32)	RFCLK/2 ⁽¹⁾
51 (0x33)	RFCLK/3 ⁽¹⁾
52 (0x34)	RFCLK/4 ⁽¹⁾
53 (0x35)	RFCLK/6 ⁽¹⁾
54 (0x36)	RFCLK/8 ⁽¹⁾
55 (0x37)	RFCLK/12 ⁽¹⁾
56 (0x38)	RFCLK/16 ⁽¹⁾
57 (0x39)	RFCLK/24 ⁽¹⁾
58 (0x3A)	RFCLK/32 ⁽¹⁾
59 (0x3B)	RFCLK/48 ⁽¹⁾
60 (0x3C)	RFCLK/64 ⁽¹⁾
61 (0x3D)	RFCLK/96 ⁽¹⁾
62 (0x3E)	RFCLK/128 ⁽¹⁾
63 (0x3F)	RFCLK/192 ⁽¹⁾

⁽¹⁾ There are 3 GDO signals, but only one RFCLK/n can be selected as an output at any time. If RFCLK/n is to be monitored on one of the GDO pins, the other two GDO pins must be configured to values less than 0x30.

The divided clock might also be used as a timer clock (for example, for Timer_A, refer to device-specific data sheet). If a RFCLK divider setting other than the default setting expected by the timer (/192) is selected this divider setting will be also used for the timer(s).

To optimize RF performance, these signal should not be used while the radio is in RX or TX mode.

0x03: FIFOTHR – RX FIFO and TX FIFO Thresholds

BIT	FIELD NAME	RESET	R/W	DESCRIPTION																																																			
7	Reserved	0	R/W	Write 0 for compatibility with possible future extensions																																																			
6	ADC_RETENTION	0	R/W	0: TEST1 = 0x31 and TEST2 = 0x88 when waking up from SLEEP 1: TEST1 = 0x35 and TEST2 = 0x81 when waking up from SLEEP																																																			
5:4	CLOSE_IN_RX [1:0]	0 (00)	R/W	For more details, see <i>Close-in Reception With CC1101</i> (SWRA147). <table border="1" data-bbox="711 401 1226 583"> <thead> <tr> <th>Setting</th> <th>RX Attenuation, Typical Values</th> </tr> </thead> <tbody> <tr> <td>0 (00)</td> <td>0 dB</td> </tr> <tr> <td>1 (01)</td> <td>6 dB</td> </tr> <tr> <td>2 (10)</td> <td>12 dB</td> </tr> <tr> <td>3 (11)</td> <td>18 dB</td> </tr> </tbody> </table>	Setting	RX Attenuation, Typical Values	0 (00)	0 dB	1 (01)	6 dB	2 (10)	12 dB	3 (11)	18 dB																																									
Setting	RX Attenuation, Typical Values																																																						
0 (00)	0 dB																																																						
1 (01)	6 dB																																																						
2 (10)	12 dB																																																						
3 (11)	18 dB																																																						
3:0	FIFO_THR[3:0]	7 (0111)	R/W	Set the threshold for the TX FIFO and RX FIFO. The threshold is exceeded when the number of bytes in the FIFO is equal to or higher than the threshold value. <table border="1" data-bbox="711 674 1226 1234"> <thead> <tr> <th>Setting</th> <th>Bytes in TX FIFO</th> <th>Bytes in RX FIFO</th> </tr> </thead> <tbody> <tr><td>0 (0000)</td><td>61</td><td>4</td></tr> <tr><td>1 (0001)</td><td>57</td><td>8</td></tr> <tr><td>2 (0010)</td><td>53</td><td>12</td></tr> <tr><td>3 (0011)</td><td>49</td><td>16</td></tr> <tr><td>4 (0100)</td><td>45</td><td>20</td></tr> <tr><td>5 (0101)</td><td>41</td><td>24</td></tr> <tr><td>6 (0110)</td><td>37</td><td>28</td></tr> <tr><td>7 (0111)</td><td>33</td><td>32</td></tr> <tr><td>8 (1000)</td><td>29</td><td>36</td></tr> <tr><td>9 (1001)</td><td>25</td><td>40</td></tr> <tr><td>10 (1010)</td><td>21</td><td>44</td></tr> <tr><td>11 (1011)</td><td>17</td><td>48</td></tr> <tr><td>12 (1100)</td><td>13</td><td>52</td></tr> <tr><td>13 (1101)</td><td>9</td><td>56</td></tr> <tr><td>14 (1110)</td><td>5</td><td>60</td></tr> <tr><td>15 (1111)</td><td>1</td><td>64</td></tr> </tbody> </table>	Setting	Bytes in TX FIFO	Bytes in RX FIFO	0 (0000)	61	4	1 (0001)	57	8	2 (0010)	53	12	3 (0011)	49	16	4 (0100)	45	20	5 (0101)	41	24	6 (0110)	37	28	7 (0111)	33	32	8 (1000)	29	36	9 (1001)	25	40	10 (1010)	21	44	11 (1011)	17	48	12 (1100)	13	52	13 (1101)	9	56	14 (1110)	5	60	15 (1111)	1	64
Setting	Bytes in TX FIFO	Bytes in RX FIFO																																																					
0 (0000)	61	4																																																					
1 (0001)	57	8																																																					
2 (0010)	53	12																																																					
3 (0011)	49	16																																																					
4 (0100)	45	20																																																					
5 (0101)	41	24																																																					
6 (0110)	37	28																																																					
7 (0111)	33	32																																																					
8 (1000)	29	36																																																					
9 (1001)	25	40																																																					
10 (1010)	21	44																																																					
11 (1011)	17	48																																																					
12 (1100)	13	52																																																					
13 (1101)	9	56																																																					
14 (1110)	5	60																																																					
15 (1111)	1	64																																																					

0x04: SYNC1 – Sync Word, High Byte

BIT	FIELD NAME	RESET	R/W	DESCRIPTION
7:0	SYNC[15:8]	211 (0xD3)	R/W	8 MSB of 16-bit sync word

0x05: SYNC0 – Sync Word, Low Byte

BIT	FIELD NAME	RESET	R/W	DESCRIPTION
7:0	SYNC[7:0]	145 (0x91)	R/W	8 LSB of 16-bit sync word

0x06: PKTLEN – Packet Length

BIT	FIELD NAME	RESET	R/W	DESCRIPTION
7:0	PACKET_LENGTH	255 (0xFF)	R/W	Indicates the packet length when fixed packet length mode is enabled. If variable packet length mode is used, this value indicates the maximum packet length allowed.

0x07: PKTCTRL1 – Packet Automation Control

BIT	FIELD NAME	RESET	R/W	DESCRIPTION	
7:5	PQT[2:0]	0 (0x00)	R/W	Preamble quality estimator threshold. The preamble quality estimator increases an internal counter by one each time a bit is received that is different from the previous bit, and decreases the counter by 8 each time a bit is received that is the same as the last bit. A threshold of $4 \times \text{PQT}$ for this counter is used to gate sync-word detection. When $\text{PQT} = 0$ a sync word is always accepted.	
4	Reserved	0	R0		
3	CRC_AUTOFLUSH	0	R/W	Enable automatic flush of RX FIFO when CRC is not OK. This requires that only one packet is in the RX FIFO and that packet length is limited to the RX FIFO size.	
2	APPEND_STATUS	1	R/W	When enabled, two status bytes are appended to the payload of the packet. The status bytes contain RSSI and LQI values, as well as CRC OK.	
1:0	ADR_CHK[1:0]	0 (00)	R/W	Controls address check configuration of received packages.	
				Setting	Address Check Configuration
				0 (00)	No address check
				1 (01)	Address check, no broadcast
				2 (10)	Address check and 0 (0x00) broadcast
3 (11)	Address check and 0 (0x00) and 255 (0xFF) broadcast				

0x08: PKTCTRL0 – Packet Automation Control

BIT	FIELD NAME	RESET	R/W	DESCRIPTION	
7	Reserved		R0		
6	WHITE_DATA	1	R/W	Turn data whitening on/off 0: Whitening off 1: Whitening on	
5:4	PKT_FORMAT[1:0]	0 (00)	R/W	Format of RX and TX data	
				Setting	Packet Format
				0 (00)	Normal mode, use FIFOs for RX and TX
				1 (01)	Synchronous serial mode. Used for backwards compatibility.
				2 (10)	Random TX mode. Sends random data using PN9 generator. Used for test. Works as normal mode, setting 0 (00), in RX.
3 (11)	Asynchronous serial mode.				
3	Reserved	0	R0		
2	CRC_EN	1	R/W	Enable CRC 1: CRC calculation in TX and CRC check in RX enabled 0: CRC disabled for TX and RX	
1:0	LENGTH_CONFIG[1:0]	1 (01)	R/W	Configure the packet length	
				Setting	Packet Length Configuration
				0 (00)	Fixed packet length mode. Length configured in PKTLEN register
				1 (01)	Variable packet length mode. Packet length configured by the first byte after sync word
				2 (10)	Infinite packet length mode
3 (11)	Reserved				

0x09: ADDR – Device Address

BIT	FIELD NAME	RESET	R/W	DESCRIPTION
7:0	DEVICE_ADDR[7:0]	0 (0x00)	R/W	Address used for packet filtration. Optional broadcast addresses are 0 (0x00) and 255 (0xFF).

0x0A: CHANNR – Channel Number

BIT	FIELD NAME	RESET	R/W	DESCRIPTION
7:0	CHAN[7:0]	0 (0x00)	R/W	The 8-bit unsigned channel number, which is multiplied by the channel spacing setting and added to the base frequency.

0x0B: FSCTRL1 – Frequency Synthesizer Control

BIT	FIELD NAME	RESET	R/W	DESCRIPTION
7:5	Reserved		R0	
4:0	FREQ_IF[4:0]	15 (0x0F)	R/W	The desired IF frequency to employ in RX. Subtracted from FS base frequency in RX and controls the digital complex mixer in the demodulator. $f_{IF} = (f_{RFXT2}/2^{10}) \times \text{FREQ_IF}$ The default value gives an IF frequency of 381 kHz, assuming a 26-MHz crystal.

0x0C: FSCTRL0 – Frequency Synthesizer Control

BIT	FIELD NAME	RESET	R/W	DESCRIPTION
7:0	FREQOFF[7:0]	0 (0x00)	R/W	Frequency offset added to the base frequency before being used by the frequency synthesizer (2s complement). Resolution is $f_{RFXT2}/2^{14}$ (1.59 kHz to 1.65 kHz). Range is ± 202 kHz to ± 210 kHz, dependent on crystal frequency.

0x0D: FREQ2 – Frequency Control Word, High Byte

BIT	FIELD NAME	RESET	R/W	DESCRIPTION
7:6	FREQ[23:22]	0 (00)	R	FREQ[23:22] is always 0 (the FREQ2 register is less than 36 with 26-MHz to 27-MHz crystal)
5:0	FREQ[21:16]	30 (0x1E)	R/W	FREQ[23:22] is the base frequency for the frequency synthesizer in increments of $f_{RFXT2}/2^{16}$. $f_{\text{carrier}} = (f_{RFXT2}/2^{16}) \times \text{FREQ}[23:0]$

0x0E: FREQ1 – Frequency Control Word, Middle Byte

BIT	FIELD NAME	RESET	R/W	DESCRIPTION
7:0	FREQ[15:8]	196 (0xC4)	R/W	See description in FREQ2 register

0x0F: FREQ0 – Frequency Control Word, Low Byte

BIT	FIELD NAME	RESET	R/W	DESCRIPTION
7:0	FREQ[7:0]	236 (0xEC)	R/W	See description in FREQ2 register

0x10: MDMCFG4 – Modem Configuration

BIT	FIELD NAME	RESET	R/W	DESCRIPTION
7:6	CHANBW_E[1:0]	2 (0x02)	R/W	
5:4	CHANBW_M[1:0]	0 (0x00)	R/W	Sets the decimation ratio for the delta-sigma ADC input stream and thus the channel bandwidth. $BW_{\text{channel}} = \frac{f_{\text{xosc}}}{8 \times (4 + \text{CHANBW_M}) \times 2^{\text{CHANBW_E}}}$ The default values give 203 kHz channel filter bandwidth, assuming a 26-MHz crystal.
3:0	DRATE_E[3:0]	12 (0x0C)	R/W	The exponent of the user specified symbol rate

0x11: MDMCFG3 – Modem Configuration

BIT	FIELD NAME	RESET	R/W	DESCRIPTION
7:0	DRATE_M[7:0]	34 (0x22)	R/W	<p>The mantissa of the user specified symbol rate. The symbol rate is configured using an unsigned, floating-point number with 9-bit mantissa and 4-bit exponent. The 9th bit is a hidden 1. The resulting data rate is:</p> $R_{DATA} = \frac{(256 + DRATE_M) \times 2^{DRATE_E}}{2^{28}} \times f_{XOSC}$ <p>The default values give a data rate of 115.051 kBaud (closest setting to 115.2 kBaud), assuming a 26-MHz crystal.</p>

0x12: MDMCFG2 – Modem Configuration

BIT	FIELD NAME	RESET	R/W	DESCRIPTION																		
7	DEM_DCFILT_OFF	0	R/W	<p>Disable digital dc blocking filter before demodulator.</p> <p>0 = Enable (better sensitivity) 1 = Disable (current optimized). Only for data rates ≤ 250 kBaud.</p> <p>The recommended IF frequency changes when the dc blocking is disabled. Use SmartRF Studio to calculate correct register setting.</p>																		
6:4	MOD_FORMAT[2:0]	0 (000)	R/W	<p>The modulation format of the radio signal</p> <table border="1"> <thead> <tr> <th>Setting</th> <th>Modulation Format</th> </tr> </thead> <tbody> <tr> <td>0 (000)</td> <td>2-FSK</td> </tr> <tr> <td>1 (001)</td> <td>2-GFSK</td> </tr> <tr> <td>2 (010)</td> <td>Reserved</td> </tr> <tr> <td>3 (011)</td> <td>ASK/OOK</td> </tr> <tr> <td>4 (100)</td> <td>Reserved</td> </tr> <tr> <td>5 (101)</td> <td>Reserved</td> </tr> <tr> <td>6 (110)</td> <td>Reserved</td> </tr> <tr> <td>7 (111)</td> <td>MSK</td> </tr> </tbody> </table> <p>MSK is supported only for data rates above 26 kBaud</p>	Setting	Modulation Format	0 (000)	2-FSK	1 (001)	2-GFSK	2 (010)	Reserved	3 (011)	ASK/OOK	4 (100)	Reserved	5 (101)	Reserved	6 (110)	Reserved	7 (111)	MSK
Setting	Modulation Format																					
0 (000)	2-FSK																					
1 (001)	2-GFSK																					
2 (010)	Reserved																					
3 (011)	ASK/OOK																					
4 (100)	Reserved																					
5 (101)	Reserved																					
6 (110)	Reserved																					
7 (111)	MSK																					
3	MANCHESTER_EN	0	R/W	<p>Enables Manchester encoding/decoding.</p> <p>0 = Disable 1 = Enable</p>																		
2:0	SYNC_MODE[2:0]	2 (010)	R/W	<p>Combined sync-word qualifier mode.</p> <p>The values 0 (000) and 4 (100) disables preamble and sync word transmission in TX and preamble and sync word detection in RX.</p> <p>The values 1 (001), 2 (010), 5 (101) and 6 (110) enables 16-bit sync word transmission in TX and 16-bits sync word detection in RX. Only 15 of 16 bits need to match in RX when using setting 1 (001) or 5 (101).</p> <p>The values 3 (011) and 7 (111) enables repeated sync word transmission in TX and 32-bits sync word detection in RX (only 30 of 32 bits need to match).</p> <table border="1"> <thead> <tr> <th>Setting</th> <th>Sync-Word Qualifier Mode</th> </tr> </thead> <tbody> <tr> <td>0 (000)</td> <td>No preamble/sync</td> </tr> <tr> <td>1 (001)</td> <td>15/16 sync word bits detected</td> </tr> <tr> <td>2 (010)</td> <td>16/16 sync word bits detected</td> </tr> <tr> <td>3 (011)</td> <td>30/32 sync word bits detected</td> </tr> <tr> <td>4 (100)</td> <td>No preamble/sync, carrier-sense above threshold</td> </tr> <tr> <td>5 (101)</td> <td>15/16 + carrier-sense above threshold</td> </tr> <tr> <td>6 (110)</td> <td>16/16 + carrier-sense above threshold</td> </tr> <tr> <td>7 (111)</td> <td>30/32 + carrier-sense above threshold</td> </tr> </tbody> </table>	Setting	Sync-Word Qualifier Mode	0 (000)	No preamble/sync	1 (001)	15/16 sync word bits detected	2 (010)	16/16 sync word bits detected	3 (011)	30/32 sync word bits detected	4 (100)	No preamble/sync, carrier-sense above threshold	5 (101)	15/16 + carrier-sense above threshold	6 (110)	16/16 + carrier-sense above threshold	7 (111)	30/32 + carrier-sense above threshold
Setting	Sync-Word Qualifier Mode																					
0 (000)	No preamble/sync																					
1 (001)	15/16 sync word bits detected																					
2 (010)	16/16 sync word bits detected																					
3 (011)	30/32 sync word bits detected																					
4 (100)	No preamble/sync, carrier-sense above threshold																					
5 (101)	15/16 + carrier-sense above threshold																					
6 (110)	16/16 + carrier-sense above threshold																					
7 (111)	30/32 + carrier-sense above threshold																					

0x13: MDMCFG1 – Modem Configuration

BIT	FIELD NAME	RESET	R/W	DESCRIPTION																		
7	Reserved		R0																			
6:4	NUM_PREAMBLE[2:0]	2 (010)	R/W	Sets the minimum number of preamble bytes to be transmitted <table border="1" data-bbox="771 336 1161 651"> <thead> <tr> <th>Setting</th> <th>Number of Preamble Bytes</th> </tr> </thead> <tbody> <tr><td>0 (000)</td><td>2</td></tr> <tr><td>1 (001)</td><td>3</td></tr> <tr><td>2 (010)</td><td>4</td></tr> <tr><td>3 (011)</td><td>6</td></tr> <tr><td>4 (100)</td><td>8</td></tr> <tr><td>5 (101)</td><td>12</td></tr> <tr><td>6 (110)</td><td>16</td></tr> <tr><td>7 (111)</td><td>24</td></tr> </tbody> </table>	Setting	Number of Preamble Bytes	0 (000)	2	1 (001)	3	2 (010)	4	3 (011)	6	4 (100)	8	5 (101)	12	6 (110)	16	7 (111)	24
Setting	Number of Preamble Bytes																					
0 (000)	2																					
1 (001)	3																					
2 (010)	4																					
3 (011)	6																					
4 (100)	8																					
5 (101)	12																					
6 (110)	16																					
7 (111)	24																					
3:2	Reserved		R0																			
1:0	CHANSPC_E[1:0]	2 (10)	R/W	Two bit exponent of channel spacing																		

0x14: MDMCFG0 – Modem Configuration

BIT	FIELD NAME	RESET	R/W	DESCRIPTION
7:0	CHANSPC_M[7:0]	248 (0xF8)	R/W	8-bit mantissa of channel spacing. The channel spacing is multiplied by the channel number CHAN and added to the base frequency. It is unsigned and has the format: $\Delta f_{\text{CHANNEL}} = \frac{f_{\text{XOSC}}}{2^{18}} \times (256 + \text{CHANSPC_M}) \times 2^{\text{CHANSPC_E}}$ The default values give 199.951 kHz channel spacing (the closest setting to 200 kHz), assuming 26-MHz crystal frequency.

0x15: DEVIATN – Modem Deviation Setting

BIT	FIELD NAME	RESET	R/W	DESCRIPTION												
7	Reserved		R0													
6:4	DEVIATION_E[2:0]	4 (0x04)	R/W	Deviation exponent												
3	Reserved		R0													
2:0	DEVIATION_M[2:0]	7 (111)	R/W	In TX: <table border="1" data-bbox="771 1291 1461 1869"> <tbody> <tr> <td>2-FSK/2-GFSK</td> <td>Specifies the nominal frequency deviation from the carrier for a '0' (-DEVIATN) and '1' (+DEVIATN) in a mantissa-exponent format, interpreted as a 4-bit value with MSB implicit 1. The resulting frequency deviation is given by: $f_{\text{dev}} = \frac{f_{\text{XOSC}}}{2^{17}} \times (8 + \text{DEVIATION_M}) \times 2^{\text{DEVIATION_E}}$ The default values give ±47.607 kHz deviation, assuming 26-MHz crystal frequency. </td> </tr> <tr> <td>MSK</td> <td>Specifies the fraction of symbol period (1/8-8/8) during which a phase change occurs ('0': +90deg, '1':-90deg). Refer to the SmartRF Studio software for correct DEVIATN setting when using MSK.</td> </tr> <tr> <td>ASK/OOK</td> <td>This setting has no effect.</td> </tr> <tr> <td colspan="2">In RX:</td> </tr> <tr> <td>2-FSK/2-GFSK</td> <td>Specifies the expected frequency deviation of incoming signal, must be approximately right for demodulation to be performed reliably and robustly.</td> </tr> <tr> <td>MSK/ASK/OOK</td> <td>This setting has no effect.</td> </tr> </tbody> </table>	2-FSK/2-GFSK	Specifies the nominal frequency deviation from the carrier for a '0' (-DEVIATN) and '1' (+DEVIATN) in a mantissa-exponent format, interpreted as a 4-bit value with MSB implicit 1. The resulting frequency deviation is given by: $f_{\text{dev}} = \frac{f_{\text{XOSC}}}{2^{17}} \times (8 + \text{DEVIATION_M}) \times 2^{\text{DEVIATION_E}}$ The default values give ±47.607 kHz deviation, assuming 26-MHz crystal frequency.	MSK	Specifies the fraction of symbol period (1/8-8/8) during which a phase change occurs ('0': +90deg, '1':-90deg). Refer to the SmartRF Studio software for correct DEVIATN setting when using MSK.	ASK/OOK	This setting has no effect.	In RX:		2-FSK/2-GFSK	Specifies the expected frequency deviation of incoming signal, must be approximately right for demodulation to be performed reliably and robustly.	MSK/ASK/OOK	This setting has no effect.
2-FSK/2-GFSK	Specifies the nominal frequency deviation from the carrier for a '0' (-DEVIATN) and '1' (+DEVIATN) in a mantissa-exponent format, interpreted as a 4-bit value with MSB implicit 1. The resulting frequency deviation is given by: $f_{\text{dev}} = \frac{f_{\text{XOSC}}}{2^{17}} \times (8 + \text{DEVIATION_M}) \times 2^{\text{DEVIATION_E}}$ The default values give ±47.607 kHz deviation, assuming 26-MHz crystal frequency.															
MSK	Specifies the fraction of symbol period (1/8-8/8) during which a phase change occurs ('0': +90deg, '1':-90deg). Refer to the SmartRF Studio software for correct DEVIATN setting when using MSK.															
ASK/OOK	This setting has no effect.															
In RX:																
2-FSK/2-GFSK	Specifies the expected frequency deviation of incoming signal, must be approximately right for demodulation to be performed reliably and robustly.															
MSK/ASK/OOK	This setting has no effect.															

0x16: MCSM2 – Main Radio Control State Machine Configuration

BIT	FIELD NAME	RESET	R/W	DESCRIPTION																																																	
7:5	Reserved		R0	Reserved																																																	
4	RX_TIME_RSSI	0	R/W	Direct RX termination based on RSSI measurement (carrier sense). For ASK/OOK modulation, RX times out if there is no carrier sense in the first 8 symbol periods.																																																	
3	RX_TIME_QUAL	0	R/W	When the RX_TIME timer expires, the radio checks if sync word is found when RX_TIME_QUAL = 0, or either sync word is found or PQL is set when RX_TIME_QUAL = 1.																																																	
2:0	RX_TIME[2:0]	7 (111)	R/W	<p>Timeout for sync word search in RX for both WOR mode and normal RX operation. With RX_TIME = 7 the timeout is disabled. For RX_TIME < 7 the RX timeout (t_{RX_time}) is a fraction of the programmed EVENT0 timeout (t_{Event0}):</p> $t_{RX_time} = t_{Event0} / 2^{(RX_TIME+3+WOR_RES)} = 1/f_{ACLK} \times EVENT0 \times 2^{(4 \times WOR_RES - RX_TIME - 3)}$ <p>The RX timeout as a percentage of the EVENT0 timeout (which is equal to the duty cycle using WOR) is approximated by:</p> <table border="1" style="width: 100%; border-collapse: collapse;"> <thead> <tr> <th rowspan="2">RX_TIME</th> <th colspan="4">WOR_RES</th> </tr> <tr> <th>0</th> <th>1</th> <th>2</th> <th>3</th> </tr> </thead> <tbody> <tr> <td>0 (000)</td> <td>12.50%</td> <td>6.25%</td> <td>3.13%</td> <td>1.56%</td> </tr> <tr> <td>1 (001)</td> <td>6.25%</td> <td>3.13%</td> <td>1.56%</td> <td>0.78%</td> </tr> <tr> <td>2 (010)</td> <td>3.13%</td> <td>1.56%</td> <td>0.78%</td> <td>0.39%</td> </tr> <tr> <td>3 (011)</td> <td>1.56%</td> <td>0.78%</td> <td>0.39%</td> <td>0.20%</td> </tr> <tr> <td>4 (100)</td> <td>0.78%</td> <td>0.39%</td> <td>0.20%</td> <td>0.10%</td> </tr> <tr> <td>5 (101)</td> <td>0.39%</td> <td>0.20%</td> <td>0.10%</td> <td>0.05%</td> </tr> <tr> <td>6 (110)</td> <td>0.20%</td> <td>0.10%</td> <td>0.05%</td> <td>0.024%</td> </tr> <tr> <td>7 (111)</td> <td colspan="4">Timeout disabled</td> </tr> </tbody> </table> <p>Note: WORCTRL.ACLK_PD bit must be reset to 0 to use settings 0-6, because the timeout timer requires ACLK.</p> <p>WOR_RES should be 0 or 1 when using WOR - but WOR_RES > 1 can be used to set longer RX timeouts when not using WOR.</p> <p>The timeout counter resolution is limited: With RX_TIME = 0, the timeout count is given by the 13 MSBs of EVENT0, decreasing to the 7 MSBs of EVENT0 with RX_TIME = 6.</p>	RX_TIME	WOR_RES				0	1	2	3	0 (000)	12.50%	6.25%	3.13%	1.56%	1 (001)	6.25%	3.13%	1.56%	0.78%	2 (010)	3.13%	1.56%	0.78%	0.39%	3 (011)	1.56%	0.78%	0.39%	0.20%	4 (100)	0.78%	0.39%	0.20%	0.10%	5 (101)	0.39%	0.20%	0.10%	0.05%	6 (110)	0.20%	0.10%	0.05%	0.024%	7 (111)	Timeout disabled			
RX_TIME	WOR_RES																																																				
	0	1	2	3																																																	
0 (000)	12.50%	6.25%	3.13%	1.56%																																																	
1 (001)	6.25%	3.13%	1.56%	0.78%																																																	
2 (010)	3.13%	1.56%	0.78%	0.39%																																																	
3 (011)	1.56%	0.78%	0.39%	0.20%																																																	
4 (100)	0.78%	0.39%	0.20%	0.10%																																																	
5 (101)	0.39%	0.20%	0.10%	0.05%																																																	
6 (110)	0.20%	0.10%	0.05%	0.024%																																																	
7 (111)	Timeout disabled																																																				

0x17: MCSM1 – Main Radio Control State Machine Configuration

BIT	FIELD NAME	RESET	R/W	DESCRIPTION										
7:6	Reserved		R0											
5:4	CCA_MODE[1:0]	3 (11)	R/W	Selects CCA_MODE. Reflected in CCA signal. <table border="1"> <thead> <tr> <th>Setting</th> <th>Clear Channel Indication</th> </tr> </thead> <tbody> <tr> <td>0 (00)</td> <td>Always</td> </tr> <tr> <td>1 (01)</td> <td>If RSSI below threshold</td> </tr> <tr> <td>2 (10)</td> <td>Unless currently receiving a packet</td> </tr> <tr> <td>3 (11)</td> <td>If RSSI below threshold unless currently receiving a packet</td> </tr> </tbody> </table>	Setting	Clear Channel Indication	0 (00)	Always	1 (01)	If RSSI below threshold	2 (10)	Unless currently receiving a packet	3 (11)	If RSSI below threshold unless currently receiving a packet
Setting	Clear Channel Indication													
0 (00)	Always													
1 (01)	If RSSI below threshold													
2 (10)	Unless currently receiving a packet													
3 (11)	If RSSI below threshold unless currently receiving a packet													
3:2	RXOFF_MODE[1:0]	0 (00)	R/W	Select what should happen when a packet has been received <table border="1"> <thead> <tr> <th>Setting</th> <th>Next State After Finishing Packet Reception</th> </tr> </thead> <tbody> <tr> <td>0 (00)</td> <td>IDLE</td> </tr> <tr> <td>1 (01)</td> <td>FSTXON</td> </tr> <tr> <td>2 (10)</td> <td>TX</td> </tr> <tr> <td>3 (11)</td> <td>Stay in RX</td> </tr> </tbody> </table> It is not possible to set RXOFF_MODE to be TX or FSTXON and at the same time use CCA.	Setting	Next State After Finishing Packet Reception	0 (00)	IDLE	1 (01)	FSTXON	2 (10)	TX	3 (11)	Stay in RX
Setting	Next State After Finishing Packet Reception													
0 (00)	IDLE													
1 (01)	FSTXON													
2 (10)	TX													
3 (11)	Stay in RX													
1:0	TXOFF_MODE[1:0]	0 (00)	R/W	Select what should happen when a packet has been sent (TX) <table border="1"> <thead> <tr> <th>Setting</th> <th>Next State After Finishing Packet Transmission</th> </tr> </thead> <tbody> <tr> <td>0 (00)</td> <td>IDLE</td> </tr> <tr> <td>1 (01)</td> <td>FSTXON</td> </tr> <tr> <td>2 (10)</td> <td>Stay in TX (start sending preamble)</td> </tr> <tr> <td>3 (11)</td> <td>RX</td> </tr> </tbody> </table>	Setting	Next State After Finishing Packet Transmission	0 (00)	IDLE	1 (01)	FSTXON	2 (10)	Stay in TX (start sending preamble)	3 (11)	RX
Setting	Next State After Finishing Packet Transmission													
0 (00)	IDLE													
1 (01)	FSTXON													
2 (10)	Stay in TX (start sending preamble)													
3 (11)	RX													

0x18: MCSM0 - Main Radio Control State Machine Configuration

BIT	FIELD NAME	RESET	R/W	DESCRIPTION										
7:6	Reserved		R0											
5:4	FS_AUTOCAL[1:0]	0 (00)	R/W	Automatically calibrate when going to RX or TX, or back to IDLE <table border="1"> <thead> <tr> <th>Setting</th> <th>When To Perform Automatic Calibration</th> </tr> </thead> <tbody> <tr> <td>0 (00)</td> <td>Never (manually calibrate using SCAL strobe)</td> </tr> <tr> <td>1 (01)</td> <td>When going from IDLE to RX or TX (or FSTXON)</td> </tr> <tr> <td>2 (10)</td> <td>When going from RX or TX back to IDLE automatically</td> </tr> <tr> <td>3 (11)</td> <td>Every fourth time when going from RX or TX to IDLE automatically</td> </tr> </tbody> </table> In some automatic wake-on-radio (WOR) applications, using setting 3 (11) can significantly reduce current consumption.	Setting	When To Perform Automatic Calibration	0 (00)	Never (manually calibrate using SCAL strobe)	1 (01)	When going from IDLE to RX or TX (or FSTXON)	2 (10)	When going from RX or TX back to IDLE automatically	3 (11)	Every fourth time when going from RX or TX to IDLE automatically
Setting	When To Perform Automatic Calibration													
0 (00)	Never (manually calibrate using SCAL strobe)													
1 (01)	When going from IDLE to RX or TX (or FSTXON)													
2 (10)	When going from RX or TX back to IDLE automatically													
3 (11)	Every fourth time when going from RX or TX to IDLE automatically													
3:2	Reserved		R0											
1	PIN_CTRL_EN	0	R/W	Enables the pin radio control option										
0	XOSC_FORCE_ON	0	R/W	Force the RF XT2 oscillator to stay on in the SLEEP state.										

0x19: FOCCFG - Frequency Offset Compensation Configuration

BIT	FIELD NAME	RESET	R/W	DESCRIPTION	
7:6	Reserved		R0		
5	FOC_BS_CS_GATE	1	R/W	If set, the demodulator freezes the frequency offset compensation and clock recovery feedback loops until the CS signal goes high.	
4:3	FOC_PRE_K[1:0]	2 (10)	R/W	The frequency compensation loop gain to be used before a sync word is detected.	
				Setting	Frequency Compensation Loop Gain Before Sync Word
				0 (00)	K
				1 (01)	2K
				2 (10)	3K
3 (11)	4K				
2	FOC_POST_K	1	R/W	The frequency compensation loop gain to be used after a sync word is detected.	
				Setting	Frequency Compensation Loop Gain After Sync Word
				0	Same as FOC_PRE_K
1	K/2				
1:0	FOC_LIMIT[1:0]	2 (10)	R/W	The saturation point for the frequency offset compensation algorithm:	
				Setting	Saturation Point (Maximum Compensated Offset)
				0 (00)	±0 (no frequency offset compensation)
				1 (01)	±BW _{CHAN} /8
				2 (10)	±BW _{CHAN} /4
3 (11)	±BW _{CHAN} /2				
Frequency offset compensation is not supported for ASK/OOK. Always use FOC_LIMIT = 0 with these modulation formats.					

0x1A: BSCFG - Bit Synchronization Configuration

BIT	FIELD NAME	RESET	R/W	DESCRIPTION	
7:6	BS_PRE_KI[1:0]	1 (01)	R/W	The clock recovery feedback loop integral gain to be used before a sync word is detected (used to correct offsets in data rate):	
				Setting	Clock Recovery Loop Integral Gain Before Sync Word
				0 (00)	K_i
				1 (01)	$2K_i$
				2 (10)	$3K_i$
3 (11)	$4K_i$				
5:4	BS_PRE_KP[1:0]	2 (10)	R/W	The clock recovery feedback loop proportional gain to be used before a sync word is detected.	
				Setting	Clock Recovery Loop Proportional Gain Before Sync Word
				0 (00)	K_p
				1 (01)	$2K_p$
				2 (10)	$3K_p$
3 (11)	$4K_p$				
3	BS_POST_KI	1	R/W	The clock recovery feedback loop integral gain to be used after a sync word is detected.	
				Setting	Clock Recovery Loop Integral Gain After Sync Word
				0	Same as BS_PRE_KI
1	$K_i / 2$				
2	BS_POST_KP	1	R/W	The clock recovery feedback loop proportional gain to be used after a sync word is detected.	
				Setting	Clock Recovery Loop Proportional Gain After Sync Word
				0	Same as BS_PRE_KP
				1	K_p
1:0	BS_LIMIT[1:0]	0 (00)	R/W	The saturation point for the data rate offset compensation algorithm:	
				Setting	Data Rate Offset Saturation (Max Data Rate Difference)
				0 (00)	± 0 (No data rate offset compensation performed)
				1 (01)	$\pm 3.125\%$ data rate offset
				2 (10)	$\pm 6.25\%$ data rate offset
3 (11)	$\pm 12.5\%$ data rate offset				

0x1B: AGCTRL2 - AGC Control

BIT	FIELD NAME	RESET	R/W	DESCRIPTION	
7:6	MAX_DVGA_GAIN[1:0]	0 (00)	R/W	Reduces the maximum allowable DVGA gain.	
				Setting	Allowable DVGA Settings
				0 (00)	All gain settings can be used
				1 (01)	The highest gain setting cannot be used
				2 (10)	The two highest gain settings cannot be used
3 (11)	The three highest gain settings cannot be used				
5:3	MAX_LNA_GAIN[2:0]	0 (000)	R/W	Sets the maximum allowable LNA + LNA 2 gain relative to the maximum possible gain.	
				Setting	Maximum Allowable LNA + LNA 2 Gain
				0 (000)	Maximum possible LNA + LNA 2 gain
				1 (001)	Approximately 2.6 dB below maximum possible gain
				2 (010)	Approximately 6.1 dB below maximum possible gain
				3 (011)	Approximately 7.4 dB below maximum possible gain
				4 (100)	Approximately 9.2 dB below maximum possible gain
				5 (101)	Approximately 11.5 dB below maximum possible gain
6 (110)	Approximately 14.6 dB below maximum possible gain				
7 (111)	Approximately 17.1 dB below maximum possible gain				
2:0	MAGN_TARGET[2:0]	3 (011)	R/W	These bits set the target value for the averaged amplitude from the digital channel filter (1 LSB = 0 dB).	
				Setting	Target Amplitude From Channel Filter
				0 (000)	24 dB
				1 (001)	27 dB
				2 (010)	30 dB
				3 (011)	33 dB
				4 (100)	36 dB
				5 (101)	38 dB
				6 (110)	40 dB
7 (111)	42 dB				

0x1C: AGCTRL1 - AGC Control

BIT	FIELD NAME	RESET	R/W	DESCRIPTION	
7	Reserved		R0		
6	AGC_LNA_PRIORITY	1	R/W	Selects between two different strategies for LNA and LNA 2 gain adjustment. When 1, the LNA gain is decreased first. When 0, the LNA 2 gain is decreased to minimum before decreasing LNA gain.	
5:4	CARRIER_SENSE_REL_THR[1:0]	0 (00)	R/W	Sets the relative change threshold for asserting carrier sense	
				Setting	Carrier Sense Relative Threshold
				0 (00)	Relative carrier sense threshold disabled
				1 (01)	6 dB increase in RSSI value
				2 (10)	10 dB increase in RSSI value
3 (11)	14 dB increase in RSSI value				
3:0	CARRIER_SENSE_ABS_THR[3:0]	0 (0000)	R/W	Sets the absolute RSSI threshold for asserting carrier sense. The 2s-complement signed threshold is programmed in steps of 1 dB and is relative to the MAGN_TARGET setting.	
				Setting	Carrier Sense Absolute Threshold (Equal to channel filter amplitude when AGC has not decreased gain)
				-8 (1000)	Absolute carrier sense threshold disabled
				-7 (1001)	7 dB below MAGN_TARGET setting
				⋮	⋮
				-1 (1111)	1 dB below MAGN_TARGET setting
				0 (0000)	At MAGN_TARGET setting
				1 (0001)	1 dB above MAGN_TARGET setting
				⋮	⋮
				7 (0111)	7 dB above MAGN_TARGET setting

0x1D: AGCTRL0 - AGC Control

BIT	FIELD NAME	RESET	R/W	DESCRIPTION		
7:6	HYST_LEVEL[1:0]	2 (10)	R/W	Sets the level of hysteresis on the magnitude deviation (internal AGC signal that determine gain changes).		
				Setting	Description	
				0 (00)	No hysteresis, small symmetric dead zone, high gain	
				1 (01)	Low hysteresis, small asymmetric dead zone, medium gain	
				2 (10)	Medium hysteresis, medium asymmetric dead zone, medium gain	
3 (11)	Large hysteresis, large asymmetric dead zone, low gain					
5:4	WAIT_TIME[1:0]	1 (01)	R/W	Sets the number of channel filter samples from a gain adjustment has been made until the AGC algorithm starts accumulating new samples.		
				Setting	Channel Filter Samples	
				0 (00)	8	
				1 (01)	16	
				2 (10)	24	
3 (11)	32					
3:2	AGC_FREEZE[1:0]	0 (00)	R/W	Controls when the AGC gain should be frozen.		
				Setting	Function	
				0 (00)	Normal operation. Always adjust gain when required.	
				1 (01)	The gain setting is frozen when a sync word has been found.	
				2 (10)	Manually freeze the analog gain setting and continue to adjust the digital gain.	
3 (11)	Manually freezes both the analog and the digital gain setting. Used for manually overriding the gain.					
1:0	FILTER_LENGTH[1:0]	1 (01)	R/W	Sets the averaging length for the amplitude from the channel filter. Sets the OOK/ASK decision boundary for OOK/ASK reception.		
				Setting	Channel Filter Samples	OOK Decision
				0 (00)	8	4 dB
				1 (01)	16	8 dB
				2 (10)	32	12 dB
3 (11)	64	16 dB				

0x1E: WOREVT1 - High Byte Event0 Timeout

BIT	FIELD NAME	RESET	R/W	DESCRIPTION
7:0	EVENT0[15:8]	128 (0x80)	R/W	High byte of EVENT0 timeout register $t_{Event0} = 1/f_{ACLK} \times EVENT0 \times 2^{5 \times WOR_RES}$

0x1F: WOREVT0 - Low Byte Event0 Timeout

BIT	FIELD NAME	RESET	R/W	DESCRIPTION
7:0	EVENT0[7:0]	0 (0x00)	R/W	Low byte of EVENT0 timeout register. The default EVENT0 value gives 1 second timeout, assuming $f_{ACLK}=32kHz$.

0x20: WORCTRL - Wake On Radio Control

BIT	FIELD NAME	RESET	R/W	DESCRIPTION																		
7	ACLK_PD	1	R/W	ACLK input power down signal. Set to 1 the ACLK input to the WOR timer is disabled, reset to 0 the ACLK input is enabled and ACLK is provided to the WOR and RX Timeout timers.																		
6:4	EVENT1[2:0]	7 (111)	R/W	Timeout setting from register block. Decoded to Event 1 timeout. The following table lists the number of clock periods after Event 0 before Event 1 times out assuming $f_{ACLK} = 32$ kHz. <table border="1" style="margin-left: 20px;"> <thead> <tr> <th>Setting</th> <th>t_{Event1}</th> </tr> </thead> <tbody> <tr><td>0 (000)</td><td>4 (0.122 ms)</td></tr> <tr><td>1 (001)</td><td>6 (0.183 ms)</td></tr> <tr><td>2 (010)</td><td>8 (0.244 ms)</td></tr> <tr><td>3 (011)</td><td>12 (0.366 ms)</td></tr> <tr><td>4 (100)</td><td>16 (0.488 ms)</td></tr> <tr><td>5 (101)</td><td>24 (0.732 ms)</td></tr> <tr><td>6 (110)</td><td>32 (0.977 ms)</td></tr> <tr><td>7 (111)</td><td>48 (1.465 ms)</td></tr> </tbody> </table>	Setting	t_{Event1}	0 (000)	4 (0.122 ms)	1 (001)	6 (0.183 ms)	2 (010)	8 (0.244 ms)	3 (011)	12 (0.366 ms)	4 (100)	16 (0.488 ms)	5 (101)	24 (0.732 ms)	6 (110)	32 (0.977 ms)	7 (111)	48 (1.465 ms)
Setting	t_{Event1}																					
0 (000)	4 (0.122 ms)																					
1 (001)	6 (0.183 ms)																					
2 (010)	8 (0.244 ms)																					
3 (011)	12 (0.366 ms)																					
4 (100)	16 (0.488 ms)																					
5 (101)	24 (0.732 ms)																					
6 (110)	32 (0.977 ms)																					
7 (111)	48 (1.465 ms)																					
3	Reserved		R1																			
2	Reserved		R0																			
1:0	WOR_RES	0 (00)	R/W	Controls the Event 0 resolution as well as maximum timeout of the WOR module and maximum timeout under normal RX operation. <table border="1" style="margin-left: 20px;"> <thead> <tr> <th>Setting</th> <th>Resolution (1 LSB)</th> <th>Maximum Timeout</th> </tr> </thead> <tbody> <tr> <td>0 (00)</td> <td>1 period (~30 μs, $f_{ACLK} = 32$ kHz)</td> <td>2 seconds</td> </tr> <tr> <td>1 (01)</td> <td>2^5 periods (~977 μs, $f_{ACLK} = 32$ kHz)</td> <td>64 seconds</td> </tr> <tr> <td>2 (10)</td> <td>2^{10} periods (~31 ms, $f_{ACLK} = 32$ kHz)</td> <td>34 minutes</td> </tr> <tr> <td>3 (11)</td> <td>2^{15} periods (1 s, $f_{ACLK} = 32$ kHz)</td> <td>18.2 hours</td> </tr> </tbody> </table> <p style="margin-left: 20px;">NOTE: WOR_RES should be 0 or 1 when using WOR, because WOR_RES > 1 results in a very low duty cycle.</p> <p style="margin-left: 20px;">In normal RX operation all settings of WOR_RES can be used.</p>	Setting	Resolution (1 LSB)	Maximum Timeout	0 (00)	1 period (~30 μ s, $f_{ACLK} = 32$ kHz)	2 seconds	1 (01)	2^5 periods (~977 μ s, $f_{ACLK} = 32$ kHz)	64 seconds	2 (10)	2^{10} periods (~31 ms, $f_{ACLK} = 32$ kHz)	34 minutes	3 (11)	2^{15} periods (1 s, $f_{ACLK} = 32$ kHz)	18.2 hours			
Setting	Resolution (1 LSB)	Maximum Timeout																				
0 (00)	1 period (~30 μ s, $f_{ACLK} = 32$ kHz)	2 seconds																				
1 (01)	2^5 periods (~977 μ s, $f_{ACLK} = 32$ kHz)	64 seconds																				
2 (10)	2^{10} periods (~31 ms, $f_{ACLK} = 32$ kHz)	34 minutes																				
3 (11)	2^{15} periods (1 s, $f_{ACLK} = 32$ kHz)	18.2 hours																				

0x21: FREND1 - Front End RX Configuration

BIT	FIELD NAME	RESET	R/W	DESCRIPTION
7:6	LNA_CURRENT[1:0]	1 (01)	R/W	Adjusts front-end LNA PTAT current output
5:4	LNA2MIX_CURRENT[1:0]	1 (01)	R/W	Adjusts front-end PTAT outputs
3:2	LODIV_BUF_CURRENT_RX[1:0]	1 (01)	R/W	Adjusts current in RX LO buffer (LO input to mixer)
1:0	MIX_CURRENT[1:0]	2 (10)	R/W	Adjusts current in mixer

0x22: FREND0 - Front End TX Configuration

BIT	FIELD NAME	RESET	R/W	DESCRIPTION
7:6	Reserved		R0	
5:4	LODIV_BUF_CURRENT_TX[1:0]	1 (0x01)	R/W	Adjusts current TX LO buffer (input to PA). The value to use in this field is given by the SmartRF Studio software.
3	Reserved		R0	
2:0	PA_POWER[2:0]	0 (0x00)	R/W	Selects PA power setting. This value is an index to the PATABLE, which can be programmed with up to 8 different PA settings. In OOK/ASK mode, this selects the PATABLE index to use when transmitting a 1. PATABLE index zero is used in OOK/ASK when transmitting a 0. The PATABLE settings from index 0 to the PA_POWER value are used for ASK TX shaping, and for power ramp-up/ramp-down at the start/end of transmission in all TX modulation formats.

0x23: FSCAL3 - Frequency Synthesizer Calibration

BIT	FIELD NAME	RESET	R/W	DESCRIPTION
7:6	FSCAL3[7:6]	2 (0x02)	R/W	Frequency synthesizer calibration configuration. The value to write in this field before calibration is given by the SmartRF Studio software.
5:4	CHP_CURR_CAL_EN[1:0]	2 (0x02)	R/W	Enable charge pump calibration stage when 1
3:0	FSCAL3[3:0]	9 (1001)	R/W	Frequency synthesizer calibration result register. Digital bit vector defining the charge pump output current, on an exponential scale: $I_{OUT} = I_0 \times 2^{FSCAL3[3:0]/4}$ Fast frequency hopping without calibration for each hop can be done by calibrating earlier for each frequency and saving the resulting FSCAL3, FSCAL2, and FSCAL1 register values. Between each frequency hop, calibration can be replaced by writing the FSCAL3, FSCAL2, and FSCAL1 register values corresponding to the next RF frequency.

0x24: FSCAL2 - Frequency Synthesizer Calibration

BIT	FIELD NAME	RESET	R/W	DESCRIPTION
7:6	Reserved		R0	
5	VCO_CORE_H_EN	0	R/W	Choose high (1) / low (0) VCO
4:0	FSCAL2[4:0]	10 (0x0A)	R/W	Frequency synthesizer calibration result register. VCO current calibration result and override value. Fast frequency hopping without calibration for each hop can be done by calibrating earlier for each frequency and saving the resulting FSCAL3, FSCAL2, and FSCAL1 register values. Between each frequency hop, calibration can be replaced by writing the FSCAL3, FSCAL2, and FSCAL1 register values corresponding to the next RF frequency.

0x25: FSCAL1 - Frequency Synthesizer Calibration

BIT	FIELD NAME	RESET	R/W	DESCRIPTION
7:6	Reserved		R0	
5:0	FSCAL1[5:0]	32 (0x20)	R/W	Frequency synthesizer calibration result register. Capacitor array setting for VCO coarse tuning. Fast frequency hopping without calibration for each hop can be done by calibrating earlier for each frequency and saving the resulting FSCAL3, FSCAL2, and FSCAL1 register values. Between each frequency hop, calibration can be replaced by writing the FSCAL3, FSCAL2, and FSCAL1 register values corresponding to the next RF frequency.

0x26: FSCAL0 - Frequency Synthesizer Calibration

BIT	FIELD NAME	RESET	R/W	DESCRIPTION
7	Reserved		R0	
6:0	FSCAL0[6:0]	13 (0x0D)	R/W	Frequency synthesizer calibration control. The value to use in this register is given by the SmartRF Studio software.

0x29: FSTEST - Frequency Synthesizer Calibration Control

BIT	FIELD NAME	RESET	R/W	DESCRIPTION
7:0	FSTEST[7:0]	89 (0x59)	R/W	For test only. Do not write to this register.

0x2A: PTEST - Production Test

BIT	FIELD NAME	RESET	R/W	DESCRIPTION
7:0	PTEST[7:0]	127 (0x7F)	R/W	For test only. Do not write to this register.

0x2B: AGCTEST - AGC Test

BIT	FIELD NAME	RESET	R/W	DESCRIPTION
7:0	AGCTEST[7:0]	63 (0x3F)	R/W	For test only. Do not write to this register.

0x2C: TEST2 - Various Test Settings

BIT	FIELD NAME	RESET	R/W	DESCRIPTION
7:0	TEST2[7:0]	136 (0x88)	R/W	The value to use in this register is given by the SmartRF Studio software. This register is forced to 0x88 or 0x81 when it wakes up from SLEEP mode, depending on the configuration of FIFOTHR. ADC_RETENTION. Note that the value read from this register when waking up from SLEEP always is the reset value (0x88) regardless of the ADC_RETENTION setting. The inverting of some of the bits due to the ADC_RETENTION setting is only seen INTERNALLY in the analog part.

0x2D: TEST1 - Various Test Settings

BIT	FIELD NAME	RESET	R/W	DESCRIPTION
7:0	TEST1[7:0]	49 (0x31)	R/W	The value to use in this register is given by the SmartRF Studio software. This register is forced to 0x31 or 0x35 when it wakes up from SLEEP mode, depending on the configuration of FIFOTHR. ADC_RETENTION. Note that the value read from this register when waking up from SLEEP always is the reset value (0x31) regardless of the ADC_RETENTION setting. The inverting of some of the bits due to the ADC_RETENTION setting is only seen INTERNALLY in the analog part.

0x2E: TEST0 - Various Test Settings

BIT	FIELD NAME	RESET	R/W	DESCRIPTION
7:2	TEST0[7:2]	2 (0x02)	R/W	The value to use in this register is given by the SmartRF Studio software.
1	VCO_SEL_CAL_EN	1	R/W	Enable VCO selection calibration stage when 1
0	TEST0[0]	1	R/W	The value to use in this register is given by the SmartRF Studio software.

22.3.5.2 Radio Core Status Register Details
0x30 (0xF0): PARTNUM - Chip ID

BIT	FIELD NAME	RESET	R/W	DESCRIPTION
7:0	PARTNUM[7:0]	0 (0x00)	R	Chip part number

0x31 (0xF1): VERSION - Chip ID

BIT	FIELD NAME	RESET	R/W	DESCRIPTION
7:0	VERSION[7:0]	6 (0x06)	R	Chip version number

0x32 (0xF2): FREQEST - Frequency Offset Estimate From Demodulator

BIT	FIELD NAME	RESET	R/W	DESCRIPTION
7:0	FREQOFF_EST		R	The estimated frequency offset (2s complement) of the carrier. Resolution is $f_{\text{RFXT2}}/2^{14}$ (1.59 to 1.65 kHz). Range is ± 202 kHz to ± 210 kHz, dependent on RF XT2 crystal frequency. Frequency offset compensation is only supported for 2-FSK, 2-GFSK, and MSK modulation. This register reads 0 when using ASK or OOK modulation.

0x33 (0xF3): LQI - Demodulator Estimate for Link Quality

BIT	FIELD NAME	RESET	R/W	DESCRIPTION
7	CRC OK		R	The last CRC comparison matched. Cleared when entering/restarting RX mode.
6:0	LQI_EST[6:0]		R	The Link Quality Indicator estimates how easily a received signal can be demodulated. Calculated over the 64 symbols following the sync word.

0x34 (0xF4): RSSI - Received Signal Strength Indication

BIT	FIELD NAME	RESET	R/W	DESCRIPTION
7:0	RSSI		R	Received signal strength indicator

0x35 (0xF5): MARCSTATE - Main Radio Control State Machine State

BIT	FIELD NAME	RESET	R/W	DESCRIPTION																																																																								
7:5	Reserved		R0																																																																									
4:0	MARC_STATE[4:0]		R	Main radio control FSM state																																																																								
				<table border="1"> <thead> <tr> <th>Value</th> <th>State Name</th> <th>State (see Figure 22-7)</th> </tr> </thead> <tbody> <tr> <td>0 (0x00)</td> <td>SLEEP</td> <td>SLEEP</td> </tr> <tr> <td>1 (0x01)</td> <td>IDLE</td> <td>IDLE</td> </tr> <tr> <td>2 (0x02)</td> <td>Reserved. (CC1101: XOFF)</td> <td>Reserved. (CC1101: XOFF)</td> </tr> <tr> <td>3 (0x03)</td> <td>VCOON_MC</td> <td>MANCAL</td> </tr> <tr> <td>4 (0x04)</td> <td>REGON_MC</td> <td>MANCAL</td> </tr> <tr> <td>5 (0x05)</td> <td>MANCAL</td> <td>MANCAL</td> </tr> <tr> <td>6 (0x06)</td> <td>VCOON</td> <td>FS_WAKEUP</td> </tr> <tr> <td>7 (0x07)</td> <td>REGON</td> <td>FS_WAKEUP</td> </tr> <tr> <td>8 (0x08)</td> <td>STARTCAL</td> <td>CALIBRATE</td> </tr> <tr> <td>9 (0x09)</td> <td>BWBOOST</td> <td>SETTLING</td> </tr> <tr> <td>10 (0x0A)</td> <td>FS_LOCK</td> <td>SETTLING</td> </tr> <tr> <td>11 (0x0B)</td> <td>IFADCON</td> <td>SETTLING</td> </tr> <tr> <td>12 (0x0C)</td> <td>ENDCAL</td> <td>CALIBRATE</td> </tr> <tr> <td>13 (0x0D)</td> <td>RX</td> <td>RX</td> </tr> <tr> <td>14 (0x0E)</td> <td>RX_END</td> <td>RX</td> </tr> <tr> <td>15 (0x0F)</td> <td>RX_RST</td> <td>RX</td> </tr> <tr> <td>16 (0x10)</td> <td>TXRX_SWITCH</td> <td>TXRX_SETTLING</td> </tr> <tr> <td>17 (0x11)</td> <td>RX_OVERFLOW</td> <td>RX_OVERFLOW</td> </tr> <tr> <td>18 (0x12)</td> <td>FSTXON</td> <td>FSTXON</td> </tr> <tr> <td>19 (0x13)</td> <td>TX</td> <td>TX</td> </tr> <tr> <td>20 (0x14)</td> <td>TX_END</td> <td>TX</td> </tr> <tr> <td>21 (0x15)</td> <td>RXTX_SWITCH</td> <td>RXTX_SETTLING</td> </tr> <tr> <td>22 (0x16)</td> <td>TX_UNDERFLOW</td> <td>TX_UNDERFLOW</td> </tr> </tbody> </table>	Value	State Name	State (see Figure 22-7)	0 (0x00)	SLEEP	SLEEP	1 (0x01)	IDLE	IDLE	2 (0x02)	Reserved. (CC1101: XOFF)	Reserved. (CC1101: XOFF)	3 (0x03)	VCOON_MC	MANCAL	4 (0x04)	REGON_MC	MANCAL	5 (0x05)	MANCAL	MANCAL	6 (0x06)	VCOON	FS_WAKEUP	7 (0x07)	REGON	FS_WAKEUP	8 (0x08)	STARTCAL	CALIBRATE	9 (0x09)	BWBOOST	SETTLING	10 (0x0A)	FS_LOCK	SETTLING	11 (0x0B)	IFADCON	SETTLING	12 (0x0C)	ENDCAL	CALIBRATE	13 (0x0D)	RX	RX	14 (0x0E)	RX_END	RX	15 (0x0F)	RX_RST	RX	16 (0x10)	TXRX_SWITCH	TXRX_SETTLING	17 (0x11)	RX_OVERFLOW	RX_OVERFLOW	18 (0x12)	FSTXON	FSTXON	19 (0x13)	TX	TX	20 (0x14)	TX_END	TX	21 (0x15)	RXTX_SWITCH	RXTX_SETTLING	22 (0x16)	TX_UNDERFLOW	TX_UNDERFLOW
Value	State Name	State (see Figure 22-7)																																																																										
0 (0x00)	SLEEP	SLEEP																																																																										
1 (0x01)	IDLE	IDLE																																																																										
2 (0x02)	Reserved. (CC1101: XOFF)	Reserved. (CC1101: XOFF)																																																																										
3 (0x03)	VCOON_MC	MANCAL																																																																										
4 (0x04)	REGON_MC	MANCAL																																																																										
5 (0x05)	MANCAL	MANCAL																																																																										
6 (0x06)	VCOON	FS_WAKEUP																																																																										
7 (0x07)	REGON	FS_WAKEUP																																																																										
8 (0x08)	STARTCAL	CALIBRATE																																																																										
9 (0x09)	BWBOOST	SETTLING																																																																										
10 (0x0A)	FS_LOCK	SETTLING																																																																										
11 (0x0B)	IFADCON	SETTLING																																																																										
12 (0x0C)	ENDCAL	CALIBRATE																																																																										
13 (0x0D)	RX	RX																																																																										
14 (0x0E)	RX_END	RX																																																																										
15 (0x0F)	RX_RST	RX																																																																										
16 (0x10)	TXRX_SWITCH	TXRX_SETTLING																																																																										
17 (0x11)	RX_OVERFLOW	RX_OVERFLOW																																																																										
18 (0x12)	FSTXON	FSTXON																																																																										
19 (0x13)	TX	TX																																																																										
20 (0x14)	TX_END	TX																																																																										
21 (0x15)	RXTX_SWITCH	RXTX_SETTLING																																																																										
22 (0x16)	TX_UNDERFLOW	TX_UNDERFLOW																																																																										

0x36 (0xF6): WORTIME1 - High Byte of WOR Time

BIT	FIELD NAME	RESET	R/W	DESCRIPTION
7:0	TIME[15:8]		R	High byte of timer value in WOR module

0x37 (0xF7): WORTIME0 - Low Byte of WOR Time

BIT	FIELD NAME	RESET	R/W	DESCRIPTION
7:0	TIME[7:0]		R	Low byte of timer value in WOR module

0x38 (0xF8): PKTSTATUS - Current GDOx Status and Packet Status

BIT	FIELD NAME	RESET	R/W	DESCRIPTION
7	CRC_OK		R	The last CRC comparison matched. Cleared when entering/restarting RX mode.
6	CS		R	Carrier sense
5	PQT_REACHED		R	Preamble Quality reached
4	CCA		R	Channel is clear
3	SFD		R	Sync word found. Asserted when sync word has been sent or received, and deasserted at the end of the packet. In RX, this bit deasserts when the optional address check fails or the radio enter RX_OVERFLOW state. In TX this bit deasserts if the radio enters TX_UNDERFLOW state.
2	GDO2		R	Current GDO2 value. Note: the reading gives the noninverted value irrespective of what IOCFG2.GDO2_INV is programmed to. It is not recommended to check for PLL lock by reading PKTSTATUS[2] with GDO2_CFG = 0x0A.
1	Reserved		R0	
0	GDO0		R	Current GDO0 value. Note: Gives the noninverted value, regardless of the IOCFG0.GDO0_INV setting. It is not recommended to check for PLL lock by reading PKTSTATUS[0] with GDO0_CFG = 0x0A.

0x39 (0xF9): VCO_VC_DAC - Current Setting from PLL Calibration Module

BIT	FIELD NAME	RESET	R/W	DESCRIPTION
7:0	VCO_VC_DAC[7:0]		R	Status register for test only

0x3A (0xFA): TXBYTES - Underflow and Number of Bytes

BIT	FIELD NAME	RESET	R/W	DESCRIPTION
7	TX_UNDERFLOW		R	
6:0	NUM_TXBYTES		R	Number of bytes in TX FIFO

0x3B (0xFB): RXBYTES - Overflow and Number of Bytes

BIT	FIELD NAME	RESET	R/W	DESCRIPTION
7	RX_OVERFLOW		R	
6:0	NUM_RXBYTES		R	Number of bytes in RX FIFO

22.4 RF1A Registers

The radio module (RF1A) registers are listed in [Table 22-22](#).

Table 22-22. RF1A Registers

Offset	Acronym	Register Name	Type	Access	Reset
000h	RF1AIFCTL0	Radio interface control register 0	Read/write	Word	Reset with PUC
002h	RF1AIFCTL1	Radio interface control register 1	Read/write	Word	Reset with PUC
002h	RF1AIFIFG	Radio interface interrupt flag register	Read/write	Byte	Reset with PUC
003h	RF1AIFIE	Radio interface interrupt enable register	Read/write	Byte	Reset with PUC
004h		Reserved			
006h	RF1AIFERR	Radio interface error flag register	Read/write- Word	Word	Reset with PUC
008h		Reserved			
00Ah		Reserved			
00Ch	RF1AIFERRV	Radio interface error vector word register	Read/write	Word	Reset with PUC
00Eh	RF1AIFIV	Radio interface interrupt vector word register	Read/write	Word	Reset with PUC
010h	RF1AINSTRW	Radio instruction word register	Read/write	Word	Reset with PUC
010h	RF1ADINB	Radio byte data in register	Read/write	Byte	Reset with PUC
011h	RF1AINSTRB	Radio instruction byte register	Read/write	Byte	Reset with PUC
012h	RF1AINSTR1W	Radio instruction word register with 1-byte auto-read (low-byte ignored)	Read/write	Word	Reset with PUC
012h		Any write is ignored. Always reads 0.	Read/write	Byte	Reset with PUC
013h	RF1AINSTR1B	Radio instruction byte register with 1-byte auto-read	Read/write	Byte	Reset with PUC
014h	RF1AINSTR2W	Radio instruction word register with 2-byte auto-read (low-byte ignored)	Read/write	Word	Reset with PUC
014h		Any write is ignored. Always reads 0.	Read/write	Byte	Reset with PUC
015h	RF1AINSTR2B	Radio instruction byte register with 2-byte auto-read	Read/write	Byte	Reset with PUC
016h	RF1ADINW	Radio word data in register	Read/write	Word	Reset with PUC
018h		Reserved			
01Ah		Reserved			
01Ch		Reserved			
01Eh		Reserved			
020h	RF1ASTATW	Radio status word register without auto-read (alias: RF1ASTAT0W)	Read/write	Word	Reset with PUC
020h	RF1ADOUTB	Radio byte data out register without auto-read (alias: RF1ADOUT0B)	Read/write	Byte	Reset with PUC
021h	RF1ASTATB	Radio status byte register without auto-read (alias: RF1ASTAT0B)	Read/write	Byte	Reset with PUC
022h	RF1ASTAT1W	Radio status word register with 1-byte auto-read	Read/write	Word	Reset with PUC
022h	RF1ADOUT1B	Radio byte data out register with 1-byte auto-read	Read/write	Byte	Reset with PUC
023h	RF1ASTAT1B	Radio status byte register with 1-byte auto-read	Read/write	Byte	Reset with PUC
024h	RF1ASTAT2W	Radio status word register with 2-byte auto-read	Read/write	Word	Reset with PUC
024h	RF1ADOUT2B	Radio byte data out register with 2-byte auto-read	Read/write	Byte	Reset with PUC
025h	RF1ASTAT2B	Radio status byte register with 2-byte auto-read	Read/write	Byte	Reset with PUC
026h		Reserved			
028h	RF1ADOUTW	Radio core word data out register without auto-read (alias: RF1ADOUT0W)	Read/write	Word	Reset with PUC
02Ah	RF1ADOUT1W	Radio core word data out register with 1-byte auto-read	Read/write	Word	Reset with PUC
02Ch	RF1ADOUT2W	Radio core word data out register with 2-byte auto-read	Read/write	Word	Reset with PUC
02Eh		Reserved			
030h	RF1AIN	Radio core signal input register	Read/write	Word	Reset with PUC

Table 22-22. RF1A Registers (continued)

Offset	Acronym	Register Name	Type	Access	Reset
032h	RF1AIFG	Radio core interrupt flag register	Read/write	Word	Reset with PUC
034h	RF1AIES	Radio core interrupt edge select register	Read/write	Word	Reset with PUC
036h	RF1AIE	Radio core interrupt enable register	Read/write	Word	Reset with PUC
038h	RF1AIV	Radio core interrupt vector word register	Read/write	Word	Reset with PUC
03Ah		Reserved			
03Ch		Reserved			
03Eh		Reserved			

22.4.1 RF1AIFCTL0 Register

Radio Interface Control Register 0

Figure 22-14. RF1AIFCTL0 Register

15	14	13	12	11	10	9	8
Reserved							
r0	r0	r0	r0	r0	r0	r0	r0
7	6	5	4	3	2	1	0
Reserved						RFENDIAN	Reserved
r0	r0	r0	r0	r0	r0	rw-0	r0

Table 22-23. RF1AIFCTL0 Register Description

Bit	Field	Type	Reset	Description
15-2	Reserved	R	0h	Reserved. Always reads as 0.
1	RFENDIAN	RW	0h	Disable endianness conversion 0b = MSP430 little-endian words and double-words are converted to the endianness of the radio core (CC1101: big-endian). 1b = Word and double-words are not converted.
0	Reserved	R	0h	Reserved. Always reads as 0.

22.4.2 RF1AIFCTL1 Register

Radio Interface Control Register 1

Figure 22-15. RF1AIFCTL1 Register

15	14	13	12	11	10	9	8
RFDOUTIE	RFSTATIE	RFDINIE	RFINSTRIE	Reserved	RFERRIE	Reserved	Reserved
rw-0	rw-0	rw-0	rw-0	r0	rw-0	r0	r0
7	6	5	4	3	2	1	0
RFDOUTIFG	RFSTATIFG	RFDINIFG	RFINSTRIFG	Reserved	RFERRIFG	Reserved	Reserved
rw-0	rw-0	rw-0	rw-1	r0	r-0	r0	r0

Table 22-24. RF1AIFCTL1 Register Description

Bit	Field	Type	Reset	Description
15	RFDOUTIE	RW	0h	Radio interface data out interrupt enable 0b = Interrupt disabled 1b = Interrupt enabled
14	RFSTATIE	RW	0h	Radio interface status interrupt enable 0b = Interrupt disabled 1b = Interrupt enabled
13	RFDINIE	RW	0h	Radio interface data in interrupt enable 0b = Interrupt disabled 1b = Interrupt enabled
12	RFINSTRIE	RW	0h	Radio interface instruction interrupt enable 0b = Interrupt disabled 1b = Interrupt enabled
11	Reserved	R	0h	Reserved. Always reads as 0.
10	RFERRIE	RW	0h	Radio interface error interrupt enable 0b = Interrupt disabled 1b = Interrupt enabled
9-8	Reserved	R	0h	Reserved. Always reads as 0.
7	RFDOUTIFG	RW	0h	Radio interface data out interrupt flag 0b = No interrupt pending 1b = Interrupt pending
6	RFSTATIFG	RW	0h	Radio interface status interrupt flag 0b = No interrupt pending 1b = Interrupt pending
5	RFDINIFG	RW	0h	Radio interface data in interrupt flag 0b = No interrupt pending 1b = Interrupt pending
4	RFINSTRIFG	RW	0h	Radio interface instruction interrupt flag 0b = No interrupt pending 1b = Interrupt pending
3	Reserved	R	0h	Reserved. Always reads as 0.
2	RFERRIFG	RW	0h	Radio interface error interrupt flag. The error interrupt flag is set as long as one of the error flags is set. It is automatically cleared when all error flags are cleared. 0b = No interrupt pending 1b = Interrupt pending
1-0	Reserved	R	0h	Reserved. Always reads as 0.

22.4.3 RF1AIFERR Register

Radio Interface Error Flag Register

Figure 22-16. RF1AIFERR Register

15	14	13	12	11	10	9	8
Reserved							
r0	r0	r0	r0	r0	r0	r0	r0
7	6	5	4	3	2	1	0
Reserved				OPOVERR	OUTERR	OPERR	LVERR
r0	r0	r0	r0	rw-0	rw-0	rw-0	rw-0

Table 22-25. RF1AIFERR Register Description

Bit	Field	Type	Reset	Description
15-4	Reserved	R	0h	Reserved. Always reads as 0.
3	OPOVERR	RW	0h	Operand overwrite error flag 0b = No error occurred 1b = Error occurred
2	OUTERR	RW	0h	Output data not available error flag 0b = No error occurred 1b = Error occurred
1	OPERR	RW	0h	Operand error flag 0b = No error occurred 1b = Error occurred
0	LVERR	RW	0h	Low core voltage error flag 0b = No error occurred 1b = Error occurred

22.4.4 RF1AIFERRV Register

Radio Interface Error Vector Register

Figure 22-17. RF1AIFERRV Register

15	14	13	12	11	10	9	8
RF1AIFERRVx							
r0	r0	r0	r0	r0	r0	r0	r0
7	6	5	4	3	2	1	0
RF1AIFERRVx							
r0	r0	r-(0)	r-(0)	r-(0)	r-(0)	r-(0)	r0

Table 22-26. RF1AIFERRV Register Description

Bit	Field	Type	Reset	Description
15-0	RF1AIFERRVx	R	0h	Radio interface error vector value 00h = No error 02h = Error Source: Low core voltage error; Error Flag: LVERR; Error Priority: Highest 04h = Error Source: Operand error; Error Flag: OPERR 06h = Error Source: Output data not available error; Error Flag: OUTERR 08h = Error Source: Operand overwrite error; Error Flag: OPOVERR; Error Priority: Lowest

22.4.5 RF1AIFIV Register

Radio Interface Interrupt Vector Register

Figure 22-18. RF1AIFIV Register

15	14	13	12	11	10	9	8
RF1AIFIVx							
r0	r0	r0	r0	r0	r0	r0	r0
7	6	5	4	3	2	1	0
RF1AIFIVx							
r0	r0	r-(0)	r-(0)	r-(0)	r-(0)	r-(0)	r0

Table 22-27. RF1AIFIV Register Description

Bit	Field	Type	Reset	Description
15-0	RF1AIFIVx	R	0h	Radio interface interrupt vector value 00h = No interrupt pending 02h = Interrupt Source: Radio interface error; Interrupt Flag: RFERRIFG; Interrupt Priority: Highest 04h = Interrupt Source: Radio interface data out; Interrupt Flag: RFDOUTIFG 06h = Interrupt Source: Radio interface status out; Interrupt Flag: RFSTATIFG 08h = Interrupt Source: Radio interface data in; Interrupt Flag: RFDINIFG 0Ah = Interrupt Source: Radio interface instruction in; Interrupt Flag: RFINSTRIFG 0Ch = Reserved 0Eh = Reserved; Interrupt Priority: Lowest

22.4.6 RF1AIN Register

Radio Core Signal Input Register

Figure 22-19. RF1AIN Register

15	14	13	12	11	10	9	8
RFINx							
r	r	r	r	r	r	r	r
7	6	5	4	3	2	1	0
RFINx							
r	r	r	r	r	r	r	r

Table 22-28. RF1AIN Register Description

Bit	Field	Type	Reset	Description
15-0	RFINx	RW	undefined	Radio core signal input 0b = Current state of signal is low. 1b = Current state of signal is high.

22.4.7 RF1AIFG Register

Radio Core Interrupt Flag Register

Figure 22-20. RF1AIFG Register

15	14	13	12	11	10	9	8
RFIFGx							
rw-0	rw-0	rw-0	rw-0	rw-0	rw-0	rw-0	rw-0
7	6	5	4	3	2	1	0
RFIFGx							
rw-0	rw-0	rw-0	rw-0	rw-0	rw-0	rw-0	rw-0

Table 22-29. RF1AIFG Register Description

Bit	Field	Type	Reset	Description
15-0	RFIFGx	RW	0h	Radio core interrupt flags 0b = No interrupt pending 1b = Interrupt pending

22.4.8 RF1AIES Register

Radio Core Interrupt Edge Select Register

Figure 22-21. RF1AIES Register

15	14	13	12	11	10	9	8
RFIESx							
rw-0	rw-0	rw-0	rw-0	rw-0	rw-0	rw-0	rw-0
7	6	5	4	3	2	1	0
RFIESx							
rw-0	rw-0	rw-0	rw-0	rw-0	rw-0	rw-0	rw-0

Table 22-30. RF1AIES Register Description

Bit	Field	Type	Reset	Description
15-0	RFIESx	RW	0h	Radio core interrupt edge select 0b = Low-to-high transition sets interrupt flag 1b = High-to-low transition sets interrupt flag

22.4.9 RF1AIE Register

Radio Core Interrupt Enable Register

Figure 22-22. RF1AIE Register

15	14	13	12	11	10	9	8
RFIEEx							
rw-0	rw-0	rw-0	rw-0	rw-0	rw-0	rw-0	rw-0
7	6	5	4	3	2	1	0
RFIEEx							
rw-0	rw-0	rw-0	rw-0	rw-0	rw-0	rw-0	rw-0

Table 22-31. RF1AIE Register Description

Bit	Field	Type	Reset	Description
15-0	RFIEEx	RW	0h	Radio core interrupt enable 0b = Interrupt disabled 1b = Interrupt enabled

22.4.10 RF1AIV Register

Radio Core Interrupt Vector Register

Figure 22-23. RF1AIV Register

15	14	13	12	11	10	9	8
RF1AIVx							
r0	r0	r0	r0	r0	r0	r0	r0
7	6	5	4	3	2	1	0
RF1AIVx							
r0	r0	r-(0)	r-(0)	r-(0)	r-(0)	r-(0)	r0

Table 22-32. RF1AIV Register Description

Bit	Field	Type	Reset	Description
15-0	RF1AIVx	R	0h	Radio core interrupt vector value 00h = No interrupt pending 02h = Interrupt Source: Radio core signal 0; Interrupt Flag: RFIFG0; Interrupt Priority: Highest 04h = Interrupt Source: Radio core signal 1; Interrupt Flag: RFIFG1 06h = Interrupt Source: Radio core signal 2; Interrupt Flag: RFIFG2 08h = Interrupt Source: Radio core signal 3; Interrupt Flag: RFIFG3 0Ah = Interrupt Source: Radio core signal 4; Interrupt Flag: RFIFG4 0Ch = Interrupt Source: Radio core signal 5; Interrupt Flag: RFIFG5 0Eh = Interrupt Source: Radio core signal 6; Interrupt Flag: RFIFG6 10h = Interrupt Source: Radio core signal 7; Interrupt Flag: RFIFG7 12h = Interrupt Source: Radio core signal 8; Interrupt Flag: RFIFG8 14h = Interrupt Source: Radio core signal 9; Interrupt Flag: RFIFG9 16h = Interrupt Source: Radio core signal 10; Interrupt Flag: RFIFG10 18h = Interrupt Source: Radio core signal 11; Interrupt Flag: RFIFG11 1Ah = Interrupt Source: Radio core signal 12; Interrupt Flag: RFIFG12 1Ch = Interrupt Source: Radio core signal 13; Interrupt Flag: RFIFG13 1Eh = Interrupt Source: Radio core signal 14; Interrupt Flag: RFIFG14 20h = Interrupt Source: Radio core signal 15; Interrupt Flag: RFIFG15; Lowest Priority: Highest

Embedded Emulation Module (EEM)

This chapter describes the embedded emulation module (EEM) that is implemented in all flash devices.

Topic	Page
23.1 Embedded Emulation Module (EEM) Introduction	684
23.2 EEM Building Blocks	686
23.3 EEM Configurations	687

23.1 Embedded Emulation Module (EEM) Introduction

Every MSP430 flash-based microcontroller implements an EEM. It is accessed and controlled through either 4-wire JTAG mode or Spy-Bi-Wire mode. Each implementation is device dependent and is described in [Section 23.3](#), the EEM Configurations section, and the device-specific data sheet.

In general, the following features are available:

- Nonintrusive code execution with real-time breakpoint control
- Single-step, step-into, and step-over functionality
- Full support of all low-power modes
- Support for all system frequencies, for all clock sources
- Up to eight (device-dependent) hardware triggers or breakpoints on memory address bus (MAB) or memory data bus (MDB)
- Up to two (device-dependent) hardware triggers or breakpoints on CPU register write accesses
- MAB, MDB, and CPU register access triggers can be combined to form up to ten (device dependent) complex triggers or breakpoints
- Up to two (device dependent) cycle counters
- Trigger sequencing (device dependent)
- Storage of internal bus and control signals using an integrated trace buffer (device dependent)
- Clock control for timers, communication peripherals, and other modules on a global device level or on a per-module basis during an emulation stop

[Figure 23-1](#) shows a simplified block diagram of the largest currently-available EEM implementation.

For more details on how the features of the EEM can be used together with the IAR Embedded Workbench™ debugger or with Code Composer Studio (CCS), see *Advanced Debugging Using the Enhanced Emulation Module* ([SLAA393](#)) at www.msp430.com. Most other debuggers supporting the MSP430 devices have the same or a similar feature set. For details, see the user's guide of the applicable debugger.

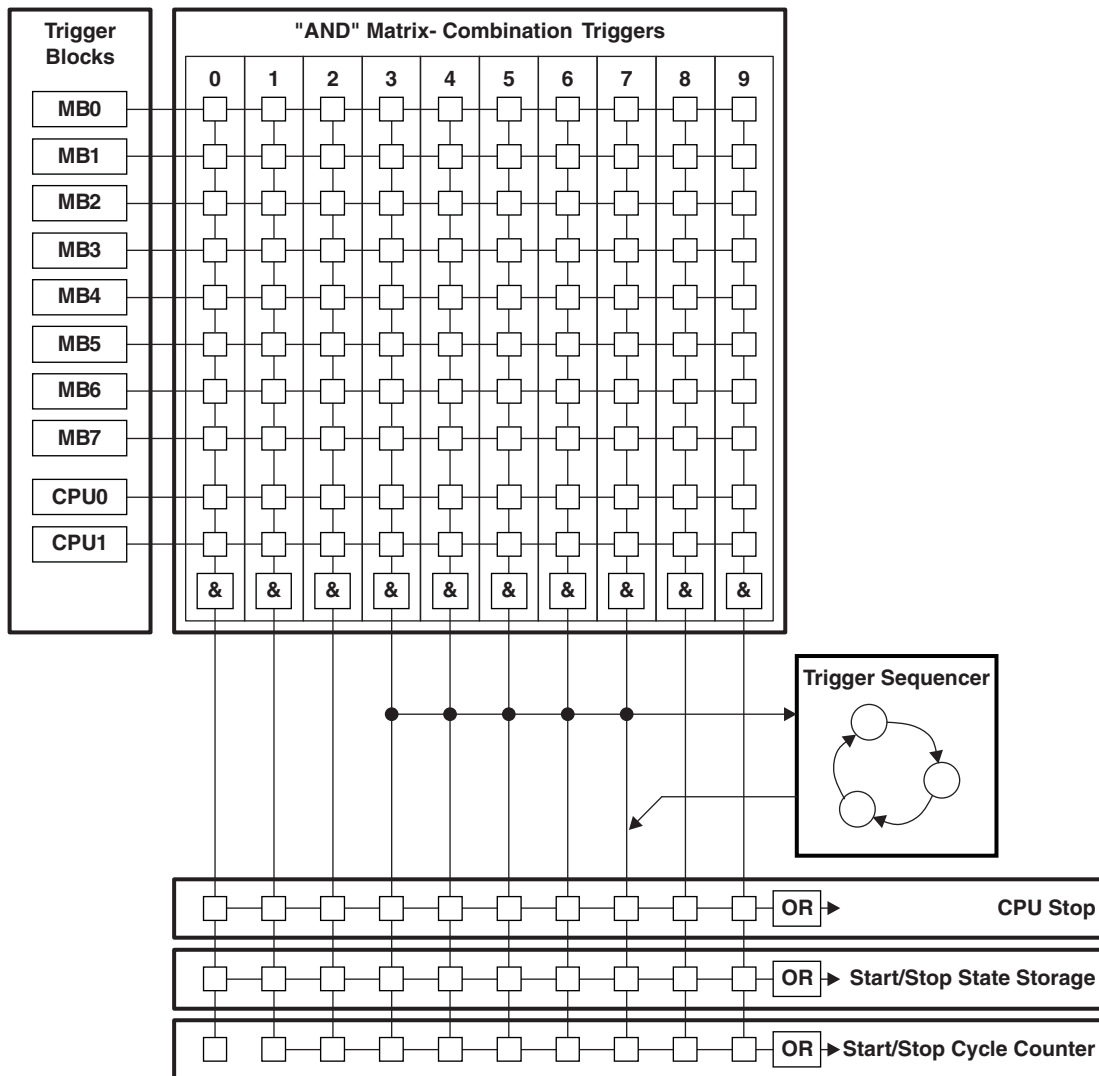


Figure 23-1. Large Implementation of EEM

23.2 EEM Building Blocks

23.2.1 Triggers

The event control in the EEM of the MSP430 system consists of triggers, which are internal signals indicating that a certain event has happened. These triggers may be used as simple breakpoints, but it is also possible to combine two or more triggers to allow detection of complex events and cause various reactions other than stopping the CPU.

In general, the triggers can be used to control the following functional blocks of the EEM:

- Breakpoints (CPU stop)
- State storage
- Sequencer
- Cycle counter

There are two different types of triggers – the memory trigger and the CPU register write trigger.

Each memory trigger block can be independently selected to compare either the MAB or the MDB with a given value. Depending on the implemented EEM, the comparison can be =, ≠, ≥, or ≤. The comparison can also be limited to certain bits with the use of a mask. The mask is either bit-wise or byte-wise, depending upon the device. In addition to selecting the bus and the comparison, the condition under which the trigger is active can be selected. The conditions include read access, write access, DMA access, and instruction fetch.

Each CPU register write trigger block can be independently selected to compare what is written into a selected register with a given value. The observed register can be selected for each trigger independently. The comparison can be =, ≠, ≥, or ≤. The comparison can also be limited to certain bits with the use of a bit mask.

Both types of triggers can be combined to form more complex triggers. For example, a complex trigger can signal when a particular value is written into a user-specified address.

23.2.2 Trigger Sequencer

The trigger sequencer allows the definition of a certain sequence of trigger signals before an event is accepted for a break or state storage event. Within the trigger sequencer, it is possible to use the following features:

- Four states (State 0 to State 3)
- Two transitions per state to any other state
- Reset trigger that resets the sequencer to State 0.

The trigger sequencer always starts at State 0 and must execute to State 3 to generate an action. If State 1 or State 2 are not required, they can be bypassed.

23.2.3 State Storage (Internal Trace Buffer)

The state storage function uses a built-in buffer to store MAB, MDB, and CPU control signal information (that is, read, write, or instruction fetch) in a nonintrusive manner. The built-in buffer can hold up to eight entries. The flexible configuration allows the user to record the information of interest very efficiently.

23.2.4 Cycle Counter

The cycle counter provides one or two 40-bit counters to measure the cycles used by the CPU to execute certain tasks. On some devices, the cycle counter operation can be controlled using triggers. This allows, for example, conditional profiling, such as profiling a specific section of code.

23.2.5 Clock Control

The EEM provides device-dependent flexible clock control. This is useful in applications where a running clock is needed for peripherals after the CPU is stopped (for example, to allow a UART module to complete its transfer of a character or to allow a timer to continue generating a PWM signal).

The clock control is flexible and supports both modules that need a running clock and modules that must be stopped when the CPU is stopped due to a breakpoint.

23.3 EEM Configurations

Table 23-1 gives an overview of the EEM configurations. The implemented configuration is device dependent, and details can be found in the device-specific data sheet and these documents:

Advanced Debugging Using the Enhanced Emulation Module (EEM) With CCS Version 4 ([SLAA393](#))

IAR Embedded Workbench Version 3+ for MSP430 User's Guide ([SLAU138](#))

Code Composer Studio v4.2 for MSP430 User's Guide ([SLAU157](#))

Table 23-1. EEM Configurations

Feature	XS	S	M	L
Memory bus triggers	2 (=, ≠ only)	3	5	8
Memory bus trigger mask for	1) Low byte 2) High byte 3) Four upper addr bits	1) Low byte 2) High byte 3) Four upper addr bits	1) Low byte 2) High byte 3) Four upper addr bits	All 16 or 20 bits
CPU register write triggers	0	1	1	2
Combination triggers	2	4	6	10
Sequencer	No	No	Yes	Yes
State storage	No	No	No	Yes
Cycle counter	1	1	1	2 (including triggered start or stop)

In general, the following features can be found on any device:

- At least two MAB or MDB triggers supporting:
 - Distinction between CPU, DMA, read, and write accesses
 - =, ≠, ≥, or ≤ comparison (in XS, only =, ≠)
- At least two trigger combination registers
- Hardware breakpoints using the CPU stop reaction
- At least one 40-bit cycle counter
- Enhanced clock control with individual control of module clocks

Low-Frequency Wake-Up Receiver

This chapter describes the low-frequency wake-up receiver that is implemented in all RF430 devices.

Topic	Page
24.1 Glossary	689
24.2 3D Low-Frequency (LF) Wake-Up and Communication Radio	689
24.3 EEPROM Memory Content	691
24.4 Low-Frequency Front End Core Functions	705
24.5 3D LF Passive-Mode Communication Scheme	706
24.6 3D LF Wake Receiver	763
24.7 Battery Charge Function	778
24.8 Microcontroller Interface Pins	778
24.9 Reset Functions	779
24.10 RSSI	779
24.11 Serial Peripheral Interface (SPI)	781

24.1 Glossary

The following terms are specific to the low-frequency wake-up receiver; additional glossary terms can be found in the Preface in [Glossary](#).

Base Station	Communication partner able to transmit and receive LF telegrams
LF passive mode	Short-range LF communication between base station and key fob running without battery support on key fob
Downlink	LF communication from the base station to the key fob
Charge Phase	LF energy transfer from the base station to the key fob; energy is stored in the charge capacitor for the uplink phase
Uplink, Response	LF communication from the key fob to the base station
RKE	Remote Keyless Entry: UHF communication from the key fob to the vehicle initiated by a push button press
PEPS	Passive Entry, Passive Start System

24.2 3D Low-Frequency (LF) Wake-Up and Communication Radio

24.2.1 Basic Block Diagram

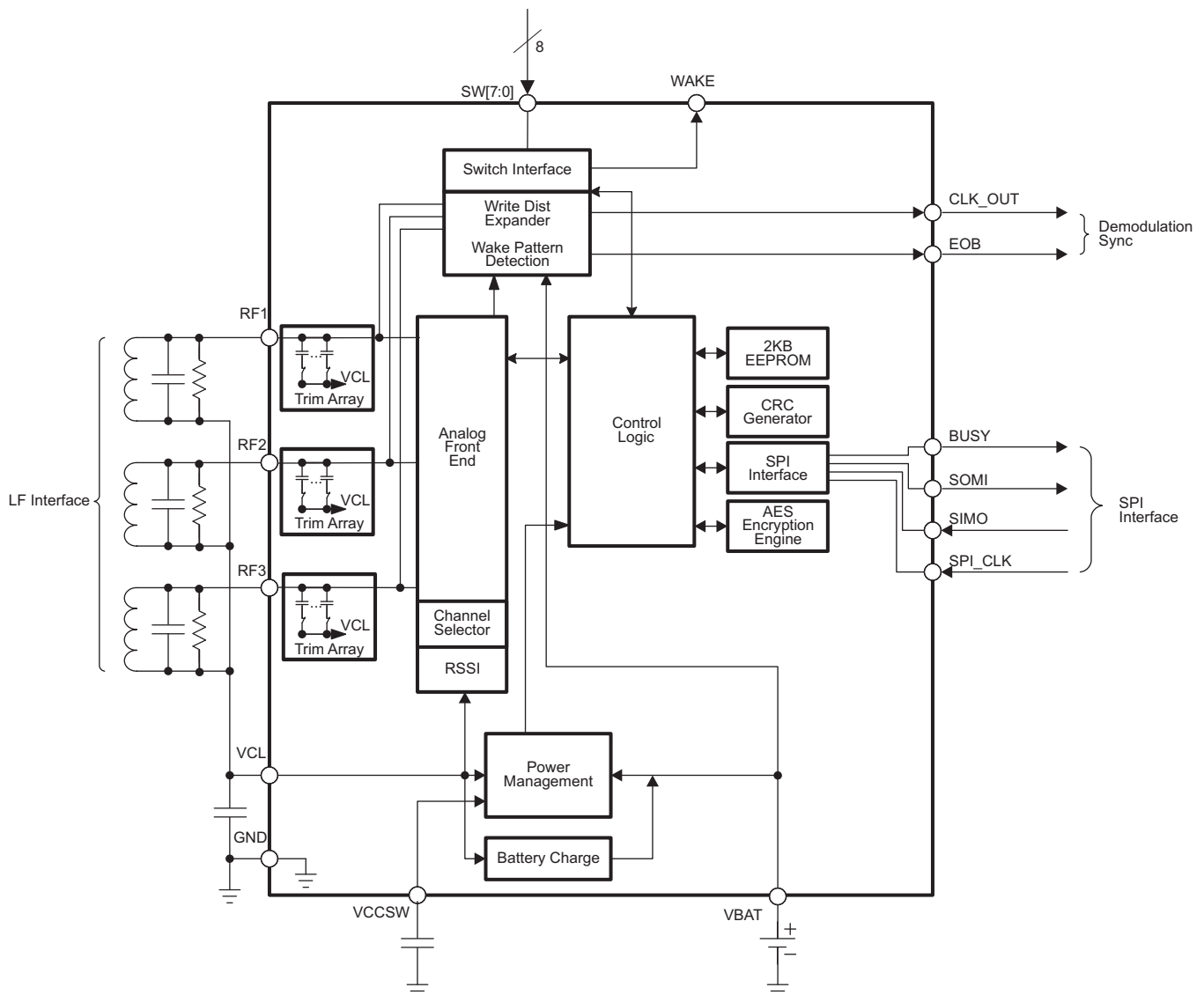


Figure 24-1. Basic Block Diagram of the LF Front End

The low-frequency (LF) front end module can operate in batteryless mode (LF passive mode) and enable a bidirectional LF communication over all three RF channels without the need of an additional microcontroller. All LF passive mode protocols are implemented within the control logic optimized for speed and current consumption to achieve highest communication range. The protocol layer offers highest flexibility without the need of application specific implementations on a microcontroller core.

In battery power mode, the front end additionally offers the wake receiver function with wake pattern detection, data decoding, and an ultrafast linear RSSI conversion. The SPI interface provides access to the encryption logic, the EEPROM, the switch interface, and the CRC calculation unit. A special microcontroller access command enables bidirectional LF communication with data control through the SPI interface.

The embedded on-chip trim array capacitors can be switched in parallel to each resonant circuit for easiest component offset compensation, enabling reliable high Q-factor operation.

The control logic manages these functions:

- LF data decoding and encoding for LF passive mode with protocol handling
- LF data decoding and buffered digital data output through SPI interface for wake receiver and LF passive mode
- EEPROM data interface and access authorization handling
- Encryption data interface and access authorization handling
- Switch interface handling with autonomous debouncing and stuck button handling
- LF battery charge control

The embedded Advanced Encryption Standard (AES) encryption engine is implemented in compliance with NIST Advanced Encryption Standard and encodes 128-bit blocks with 128-bit security key length. The challenge-response length at the LF interface can be configured for 32-32 bit, 64-64 bit or 64-96 bit. Through the SPI interface, full 128-bit challenge-response length is available.

24.2.2 RF430 Internal Connections

The LF front end module is a special peripheral of the RF430F59xx devices and is mapped internally to I/O ports of the microcontroller. A SPI interface together with handshake and status lines is implemented on the LF front end module.

[Table 24-1](#) provides an overview of the hardware connections. The port functions of the microcontroller must be initialized as shown to enable interaction with the LF front end module.

Table 24-1. Intermodule Connection for RF430F59xx

Microcontroller Port		LF Front End Module Port
P3.1	Input	SPI_SOMI
P3.2	Output	SPI_SIMO
P3.3	Output	SPI_CLK
P3.5	Input	CLK_OUT
P4.1	Input	EOB
P4.2	Input	SPI_BUSY

24.3 EEPROM Memory Content

The EEPROM physically consist of 2048 bytes. The memory is partitioned into transponder data, user data, and space where lock information is stored. There is a small portion (32 bits) that is not allocated, but which is allows some overhead in the location of lock bits for more effective access.

Table 24-2. Memory Overview

Bank	Purpose	Bytes	Sum (bytes)
Bank 0-3	User data	222 x 8	1776
Bank 7	Transponder data	32 x 4	128
-	Lock information	128	128
-	RFU_TRIM	16	16
Total			2048

The memory is organized in five banks. Bank 7 carries transponder-specific data. Banks 0 to 3 contain user data. The memory data are addressed in application mode by logical pages of 4 bytes in bank 7 or 8 bytes in banks 0 to 3.

24.3.1 Bank and Page Address and Action Notation

24.3.1.1 Address Notation

The addressing of a memory location is indicated in this document as MEM[BANK:PAGE ADDRESS] with no leading zeros used. The interpreted length of bank and page always corresponds with the device-specific length; for example, 3-bit bank address and 7-bit page address. Without special notation, numbers should be treated as decimal. Examples:

MEM[7:2] = Bank 7, Page 2

MEM[0:0] = Bank 0, Page 0; first page in user memory

MEM[0:63] = Bank 0, Page 63; last page in first bank of user memory

MEM[3:1Fh] = Bank 3, Page 31; last page in last bank of user memory

MEM[0:0-63] = Bank 0, Page 0 to 63; complete first bank of user memory

MEM[7:0/1] = Bank 7, Page 0 and 1

24.3.1.2 Action Notation

The addressing of an action location is indicated in this document as ACTN[BANK:ACTION ADDRESS]. Without special notation, numbers should be treated as decimal. Example:

ACTN[7:16] = Bank 7, Action 16; program AES_KEY_1 with 128-bit data

ACTN[7:11h] = Bank 7, Action 17; program AES_KEY_1 with hash value of 128-bit data

NOTE: For RF430F59xx devices, BANK = 7 is used.

24.3.2 Transponder Bank 7

The transponder bank contains all information which is relevant for LF passive mode operation, device configuration and trimming. Information in bank 7 is segmented into pages of 4 bytes each.

Table 24-3. Transponder Bank Summary

Bank	Purpose	Bytes	Sum (bytes)
Bank 7, Page 0-31	Transponder data	32 x 4	128
Total			128

24.3.3 User Banks 0 to 3

User banks contain general-purpose user memory. Information in user banks is segmented in pages of 8 bytes each. There is no special interpretation of user memory from the device. The user pages are accessed by read, program, and lock commands.

Table 24-4. User Banks Summary

Bank	Purpose	Bytes	Sum (bytes)
Bank 0, Page 0-63	User data	64 x 8	512
Bank 1, Page 0-63	User data	64 x 8	512
Bank 2, Page 0-63	User data	64 x 8	512
Bank 3, Page 0-29	User data	30 x 8	240
Total			1776

24.3.4 Lock Bits

Each page is access controlled by three lock bits. The effect of the lock bits is as shown in [Table 24-5](#) and [Table 24-6](#).

Table 24-5. Lock Bits

Program_lock	If program lock bit is set, the write access to the page and a modifying write access to the corresponding lock bits are prohibited.
LF_OFF, SPI_ONLY	The LF_OFF bit is disabling the access via the LF interface (transponder functions) if set. The access over the SPI interface is still possible
Page_Mutual	The page mutual bit disables all nonmutual LF accesses to the page. If the corresponding bank mutual bit is set, the page mutual affects only the remaining nonmutual page and action commands.

Table 24-6. Lock Bit Memory Requirements

Bank	Purpose	Bits	Sum (bytes)
Bank 0, Page 0-63	Lock bits	64 x 4	32
Bank 1, Page 0-63	Lock bits	64 x 4	32
Bank 2, Page 0-63	Lock bits	64 x 4	32
Bank 3, Page 0-29	Lock bits	30 x 4	16
Bank 7, Page 0-31	Lock bits	32 x 4	16
Total			128

Lock bits cannot be reset; therefore, the corresponding lock commands execute an OR operation on current lock-bit status and lock bits in the command argument.

24.3.4.1 Lock Bit Refresh

A refresh of the lock bits must be possible for handling unreliable programming of the lock bits. If the lock bits in the command argument and the current lock-bit status is identical, the programming of the lock bits is executed, even if a Program_lock-bit is set.

24.3.4.2 LF_OFF Lock Bit

The LF_OFF, SPI_ONLY bit disables all accesses, actions and responses to the page and the corresponding lock bits via LF interface. Access via SPI is still possible. The LF_OFF bit can be programmed via LF, but with the addition that in the case of a failure (unreliable programming), the programming might not be repeated or refreshed. Therefore, the programming of the LF_OFF bit should be performed through SPI or in a defined LF environment.

For LF_OFF bit set, the transponder stops oscillation maintenance before the end of the prebit phase.

24.3.4.3 Reserved Memory (RFU_TRIM)

The remaining memory is reserved for device trimming and future use.

Page	Byte												Page									
	7	6	5	4	3	2	1	0	7	6	5	4		3	2	1	0					
1	Ti configuration												0									
3	Ti configuration												2									
5	Bank Muter Bits			Switch Sample Config			CLK_OUT_DELAY			Ti configuration			Unique serial number			Key number			Selective Address			
7	Wake Pattern A												6									
9	Wake Pattern A												8									
11	Wake Level B_RF3	Wake Level B_RF2	Wake Level B_RF1	Wake Level A_RF3	Wake Level A_RF2	Wake Level A_RF1	HDR	HIGH_L_RF3	HIGH_L_RF2	HIGH_L_RF1	HIGH_Q_RF2	HIGH_Q_RF1	NRFEN	NRF	WAKEUP	Wake Length A	Wake Length B	IMMO_OFF	IMMO_ON	WTT_ON	IMMO_OFF	
13	Tsmax	Tsmin	Tsmax	Tsmin	Tsmax	Tsmin	Tsmax	Tsmin	Tsmax	Tsmin	Tsmax	Tsmin	Tsmax	Tsmin	Tsmax	Tsmin	Tsmax	Tsmin	Tsmax	Tsmin	Tsmax	Tsmin
15	Ti configuration												12									
17	AES_KEY_1[63:32]												14									
19	AES_KEY_1[127:96]												16									
21	AES_KEY_2[63:32]												18									
23	AES_KEY_2[127:96]												20									
25	AES_KEY_3[63:32]												22									
27	AES_KEY_3[127:96]												24									
29	TRANSPORT_KEY[63:32]												26									
31	TRANSPORT_KEY[127:96]												28									
	TRANSPORT_KEY[31:0]												30									
	TRANSPORT_KEY[95:64]												30									

Figure 24-2. EEPROM Memory Organization Bank 7 (Configuration)

Table 24-7. EEPROM Memory Organization Bank 7, Even Pages (Configuration)

	Page	Byte																															
		3								2								1								0							
		7	6	5	4	3	2	1	0	7	6	5	4	3	2	1	0	7	6	5	4	3	2	1	0	7	6	5	4	3	2	1	0
	0	TI configuration																															
	2	Manufacturer Code								Unique Serial number																							
	4	Data 0												Key Number								Selective Address											
	6	Vehicle ID																															
	8	Data 1 / Counter 4																															
	10	Data 2 / Counter 3																															
	12	Data 3 / Counter 2																															
	14	Data 4 / Counter 1																															
	16	AES_KEY_1 [31:0]																															
	18	AES_KEY_1 [95:64]																															
	20	AES_KEY_2 [31:0]																															
	22	AES_KEY_2 [95:64]																															
	24	AES_KEY_3 [31:0]																															
	26	AES_KEY_3 [95:64]																															
	28	TRANSPORT_KEY_2 [31:0]																															
	30	TRANSPORT_KEY_2 [95:64]																															

Table 24-8. EEPROM Memory Organization Bank 7, Odd Pages (Configuration)

Page	Byte																															
	3								2								1								0							
	7	6	5	4	3	2	1	0	7	6	5	4	3	2	1	0	7	6	5	4	3	2	1	0	7	6	5	4	3	2	1	0
1	TI configuration																															
3	TI configuration																															
5	Bank Mutal Bits								Switch_Sample_Conficia	CLK_OUT_DELAY								IMMO_TH_WIDE	IMMO_DCHG	IMMO_CHARGE	CHALL/RESP Length	AES_MOD	HIGH_L_RF3	HIGH_Q_RF3	HIGH_L_RF2	HIGH_Q_RF2	HIGH_L_RF1	HIGH_Q_RF1	WTT_ON	IMMO_OFF		
7	Wake Pattern A																NRF				NRFEN	WAKE A LENGTH										
9	Wake Pattern B																WPBEN				WAKE B LENGTH											
11	LEVEL_AB_EQUAL	WAKELEVEL B3				WAKELEVEL B2				WAKELEVEL B1				HIGH_SENS	WAKELEVEL A3				WAKELEVEL A2				WAKELEVEL a1									
13	Tsmax				Thmax				Tlmax				Tsmrn				Thrn				Tlmin											
15	Reserve for future use								Reserve for future use								Reserve for future use								EOF_OUT	EOB Pin	CLK_OUT Pin					
16	AES_KEY_1 [63:32]																															
18	AES_KEY_1 [127:96]																															
20	AES_KEY_2 [63:32]																															
22	AES_KEY_2 [127:96]																															
24	AES_KEY_3 [63:32]																															
26	AES_KEY_3 [127:96]																															
28	TRANSPORT_KEY_2 [63:32]																															
30	TRANSPORT_KEY_2 [127:96]																															

24.3.5 Unique Serial Number Page, MEM[7:2]

A unique serial number and manufacturer code is stored in memory location MEM[7:2].

Table 24-9. Unique Serial Number Bank 7, Page 2

Page	Byte																																
	3								2								1								0								
	7	6	5	4	3	2	1	0	7	6	5	4	3	2	1	0	7	6	5	4	3	2	1	0	7	6	5	4	3	2	1	0	
2	Manufacturer Code								Unique Serial number																								
Default	locked	x	x	x	x	x	x	x	x	x	x	x	x	x	x	x	x	x	x	x	x	x	x	x	x	x	x	x	x	x	x	x	bin
xxxx	xxxx																												hex				

24.3.6 Address Page, MEM[7:4]

Table 24-10. Address Page Bank 7, Page 4

	Page	Byte																																									
		3								2								1								0																	
		7	6	5	4	3	2	1	0	7	6	5	4	3	2	1	0	7	6	5	4	3	2	1	0	7	6	5	4		3	2	1	0									
	4	Data 0																Key Number								Selective Address																	
Default	unlocked	0	0	0	0	0	0	0	0	0	0	0	0	0	0	0	0	0	0	0	0	0	0	0	0	0	0	0	0	0	0	0	0	1	1	1	1	1	1	1	1	1	bin
	00000FFh	0000h																00h								FFh								hex									

24.3.6.1 Selective Address

If several devices are in range of a LF field, the selective address gives a defined communication channel as only the addressed device executes the received protocol. If all devices in range have a unique selective address, it is ensured that only the device with the corresponding selective address can execute the protocol. The separation of the devices and its selective addresses needs to be done in a discrete definition flow.

To enable the function, the related command and a selective address byte needs to be send in the downlink telegram. The command is executed only if the selective address in the EEPROM matches to the selective address in the downlink telegram. General commands are still possible as long as the Selective Address in the EEPROM is not 00h.

MEM[7:4] (Byte 0) contains the selective address with following meaning:

00h = Mute general functions and valid selective address (device does not respond to general commands)

01-FFh = Valid selective addresses (default: FFh)

By setting the selective address of a transponder to 00h, the transponder does not execute any general commands; however, it does execute selective commands with selective address 00h.

24.3.6.2 Key Number and Anticollision Slot

The key number indicates the logical number of the key in the decimal range of 0 to 255. The key number is used for anticollision protocols and defines the response slot for the device. Note that, for the anticollision protocol, key numbers in the range of 1 to 255 are used. A key with a key number of 1 responds in the first slot. However, if the key number is zero, the device does not respond to an anticollision command.

24.3.6.3 Data 0

The data 0 content can be used as free programmable user data and has no secondary function.

24.3.7 Customer Device Configuration MEM[7:5]

Table 24-11. Customer Device Configuration Bank 7, Page 5

	Page	Byte																																		
		3							2							1							0													
		7	6	5	4	3	2	1	0	7	6	5	4	3	2	1	0	7	6	5	4	3	2	1	0	7	6	5	4		3	2	1	0		
	5	Bank Mutual Bits							Switch_Sample_Config	CLK_OUT_DELAY							IMMO_TH_WIDE	IMMO_DCHG	IMMO_CHARGE	CHALL/RESP Length	AES_MOD	HIGH_L_RF3	HIGH_Q_RF3	HIGH_L_RF2	HIGH_Q_RF2	HIGH_L_RF1	HIGH_Q_RF1	WTT_ON	IMMO_OFF							
Default	unlocked	0	0	0	0	0	0	0	0	0	0	0	0	0	0	0	0	0	0	0	0	0	0	0	0	0	0	0	0	0	0	0	bin			
	0000000h	00h							0h	0h	00h							0	0	0	0	0h	0h	0	0	0	0	0	0	0	0	0	0	0	0	hex

IMMO_OFF	0 = LF passive mode functionality enabled (default) 1 = LF passive mode functionality disabled
WTT_ON	0 = Write timing test disabled (default) 1 = Write timing test enabled, Demodulation output on EOB pin
HIGH_Q_RFx	0 = Quality factor range for resonant circuit: 10-60 (default) 1 = Quality factor range for resonant circuit: 30-150
HIGH_L_RF[3:1]	0 = Enables modulation capacitor for lower antenna inductance (default) 1 = Enables modulation capacitor for higher antenna inductance Note: The recommended antenna inductances are specified in the device data sheets.
AES_MOD	0 = 00b: Round for AES encryption: 10 (default) 1 = 01b: Round for AES encryption: 12 2 = 10b: Round for AES encryption: 14 3 = 11b: Round for AES encryption: 16
Challenge-Response Length	0 = 00b: 32-bit challenge, 32-bit transponder signature (default) 1 = 01b: 64-bit challenge, 64-bit transponder signature 2 = 10b: 96-bit challenge, 64-bit transponder signature 3 = 11b: Not available Note: If mutual authentication is used, the reader signature is always 32 bit
BAT_CHARGE	0 = Battery charge disabled (default) 1 = Battery charge enabled on every LF command If battery charge is enabled, the charge regulator is activated with every LF command and cannot be switch off with the battery charge command. This function enables use in batteryless applications where a capacitor is used instead of a battery. Direct communication to a microcontroller with the microcontroller access command can be executed within one command.
IMMO_DCHRG	0 = No discharge of VCL after a single telegram. Higher communication range can be achieved with multiple telegrams as the charge capacitor energy is sustained. Note: Disabled discharge is required to execute Burst Read and Anticollision. 1 = Discharge of VCL enabled, VCL is discharge to GND after each telegram
IMMO_TH_WIDE	0 = Narrow spread high and low bit detection threshold (default) 1 = Wide spread high and low bit detection threshold, double width is applied
CLK_OUT_DELAY	Delay of first rising edge at CLK_OUT pin, counted in $n \times 250 \mu s$ (default: 0)
SWITCH_SAMPLE_CONFIG	00 = 5-ms sampling interval (default) 01 = 10-ms sampling interval 10 = 20-ms sampling interval 11 = 40-ms sampling interval
Bank_Mutual[7:0]	The bank mutual bits disable all nonmutual write and nonmutual lock accesses via the LF interface to the corresponding pages in that bank. General and selective read and action commands are still available.

24.3.8 Vehicle ID MEM[7:6]

The vehicle identification number provides a 32-bit number used to differentiate between different car access systems and provides communication collision prevention for a Mutual Authentication Anticollision command. The vehicle ID is part of the AES signature calculation resulting in unique signature for every car access system even if the challenge and encryption key is the same.

If the anticollision protocols are not used in an application, the memory page can be used as additional user data.

Table 24-15. Wake Lengths

Wake Length Value	Length of Wake Pattern
000b	0 bit
001b	4 bit
010b	8 bit
011b	12 bit
100b	16 bit
101b	20 bit
110b	24 bit
111b	Wake pattern detection off

24.3.10 Wake Receiver Sensitivity Configuration MEM[7:11]

Table 24-16. Customer Device Configuration Bank 7, Page 11

Page	Byte																																																							
	3							2							1							0																																		
	7	6	5	4	3	2	1	0	7	6	5	4	3	2	1	0	7	6	5	4	3	2	1	0	7	6	5	4	3	2	1	0																								
11	LEVEL_AB_EQUAL							WAKE LEVEL B3							WAKE LEVEL B2							WAKE LEVEL B1							HIGH_SENS							WAKE LEVEL A3							WAKE LEVEL A2							WAKE LEVEL A1						
Default	unlocked	0	0	0	0	0	0	0	0	0	0	0	0	0	0	0	0	0	0	0	0	0	0	0	0	0	0	0	0	0	0	0	0	0	0	0	0	0	0	0	0	0	0	0	0	0	0	0	bin							
00000000h	0	0h							0h							0h							0	0h							0h							0h							hex											

LEVEL_AB_EQUAL	Wake B reception with same sensitivity level as Wake A. If set, WAKE LEVEL Bx values are ignored and WAKE LEVEL Ax values are used instead.
HIGH_SENS	0 = Regular sensitivity mode 1 = High sensitivity mode Sensitivity values are shown in Table 24-17 .
WAKE LEVEL Bx	Wake Sensitivity B (channel) (see Table 24-18); for example, WAKE LEVEL B1 determines the sensitivity for wake pattern B reception on RF1 pin
WAKE LEVEL Ax	Wake Sensitivity A (channel) (see Table 24-17); for example, WAKE LEVEL A1 determines the sensitivity for wake pattern A reception on RF1 pin

24.3.10.1 Wake Sensitivity A

Table 24-17 and Table 24-18 provide typical numbers of the device sensitivity that can be independently configured for each channel (RF1, RF2, and RF3) to enable compensation for antenna or system tolerances and achieve identical behavior on all three channels. Sensitivity level adjustment also allows tuning of each RF430F59xx device within a volume production to behave similarly in terms of wake up distance.

Table 24-17. Typical Sensitivity Values of Wake Level A

Wake A Sensitivity Configuration						Typical High Sensitivity (mVpp)	Typical High Sensitivity (mVpp)
DEC	BIT4	BIT3	BIT2	BIT1	BIT0		
0	0	0	0	0	0	13.1	5.9
1	0	0	0	0	1	12.5	5.6
2	0	0	0	1	0	12.0	5.4
3	0	0	0	1	1	11.5	5.1

Table 24-17. Typical Sensitivity Values of Wake Level A (continued)

Wake A Sensitivity Configuration						Typical High Sensitivity (mVpp)	Typical High Sensitivity (mVpp)
DEC	BIT4	BIT3	BIT2	BIT1	BIT0		
4	0	0	1	0	0	11.2	5.1
5	0	0	1	0	1	10.7	4.7
6	0	0	1	1	0	10.2	4.6
7	0	0	1	1	1	9.9	4.3
8	0	1	0	0	0	9.1	4.1
9	0	1	0	0	1	8.8	3.9
10	0	1	0	1	0	8.4	3.7
11	0	1	0	1	1	8.1	3.6
12	0	1	1	0	0	7.9	3.3
13	0	1	1	0	1	7.5	3.2
14	0	1	1	1	0	7.1	3.1
15	0	1	1	1	1	6.8	3.0
16	1	0	0	0	0	5.9	2.8
17	1	0	0	0	1	5.6	2.6
18	1	0	0	1	0	5.3	2.4
19	1	0	0	1	1	5.2	2.4
20	1	0	1	0	0	5.0	2.3
21	1	0	1	0	1	4.7	2.1
22	1	0	1	1	0	4.6	2.0
23	1	0	1	1	1	4.4	2.0
24	1	1	0	0	0	4.1	1.8
25	1	1	0	0	1	3.8	1.7
26	1	1	0	1	0	3.7	1.7
27	1	1	0	1	1	3.5	1.5
28	1	1	1	0	0	3.5	1.5
29	1	1	1	0	1	3.3	1.4
30	1	1	1	1	0	3.2	1.4
31	1	1	1	1	1	3.0	1.3

24.3.10.2 Wake Sensitivity B**Table 24-18. Typical Sensitivity Values of Wake Level B**

Wake B Sensitivity Configuration						Typical Regular Sensitivity (mVpp)
DEC	BIT4	BIT3	BIT2	BIT1	BIT0	
0	0	0	0	0	0	85.0
1	0	0	0	0	1	73.0
2	0	0	0	1	0	66.4
3	0	0	0	1	1	60.8
4	0	0	1	0	0	57.7
5	0	0	1	0	1	50.1
6	0	0	1	1	0	45.7
7	0	0	1	1	1	42.0
8	0	1	0	0	0	36.3
9	0	1	0	0	1	31.7
10	0	1	0	1	0	28.9
11	0	1	0	1	1	26.6

Table 24-18. Typical Sensitivity Values of Wake Level B (continued)

Wake B Sensitivity Configuration						Typical Regular Sensitivity (mVpp)
DEC	BIT4	BIT3	BIT2	BIT1	BIT0	
12	0	1	1	0	0	24.9
13	0	1	1	0	1	21.7
14	0	1	1	1	0	19.8
15	0	1	1	1	1	18.2
16	1	0	0	0	0	18.4
17	1	0	0	0	1	16.0
18	1	0	0	1	0	14.5
19	1	0	0	1	1	13.3
20	1	0	1	0	0	12.5
21	1	0	1	0	1	10.9
22	1	0	1	1	0	9.8
23	1	0	1	1	1	9.0
24	1	1	0	0	0	8.0
25	1	1	0	0	1	6.9
26	1	1	0	1	0	6.3
27	1	1	0	1	1	5.8
28	1	1	1	0	0	5.4
29	1	1	1	0	1	4.7
30	1	1	1	1	0	4.3
31	1	1	1	1	1	3.9

24.3.10.3 Wake Receiver Bit Timing Configuration

The LF wake-up mode bit detection thresholds determinate the upper and lower limits of the bit decoder during wake pattern detection and the subsequent data stream. Different limits can be chosen for the start bit, low bit, and high bit as shown in [Table 24-20](#) through [Table 24-25](#).

Table 24-19. Wake Receiver Bit Timing Configuration Bank 7, Page 13

	Page	Byte																																			
		3								2								1									0										
		7	6	5	4	3	2	1	0	7	6	5	4	3	2	1	0	7	6	5	4	3	2	1	0		7	6	5	4	3	2	1	0			
	13	T _{smax}				T _{hmax}				T _{lmax}				T _{smin}				T _{hmin}				T _{lmin}															
Default	unlocked	1	1	0	1	1	0	0	0	1	1	0	1	0	0	1	1	1	0	1	0	0	1	0	1	1	1	1	1	0	0	0	1	0	1		bin
	D8D3A5C5h	Dh				23h				13h				Ah				17h				5h				hex											
	Time	1540				960				560				1060				640				200				μs											

Table 24-20. Typical Minimum Low Bit Wake Receiver Bit Threshold, t_{Lmin}

Typical Minimum Low Bit Threshold							$t_{Lmin}^{(1)}$ (μs)
DEC	BIT5	BIT4	BIT3	BIT2	BIT1	BIT0	
0	0	0	0	0	0	0	100
1	0	0	0	0	0	1	120
2	0	0	0	0	1	0	140
3	0	0	0	0	1	1	160
4	0	0	0	1	0	0	180
5	0	0	0	1	0	1	200
⋮							⋮
57	1	1	1	0	0	1	1240
58	1	1	1	0	1	0	1260
59	1	1	1	0	1	1	1280
60	1	1	1	1	0	0	1300
61	1	1	1	1	0	1	1320
62	1	1	1	1	1	0	1340
63	1	1	1	1	1	1	1360

⁽¹⁾ $t_{Lmin} = 100 + \text{configuration} \times 20$

Table 24-21. Typical Maximum Low Bit Wake Receiver Bit Threshold, t_{Lmax}

Typical Maximum Low Bit Threshold							$t_{Lmax}^{(1)}$ (μs)
DEC	BIT5	BIT4	BIT3	BIT2	BIT1	BIT0	
0	0	0	0	0	0	0	180
1	0	0	0	0	0	1	200
2	0	0	0	0	1	0	220
3	0	0	0	0	1	1	240
4	0	0	0	1	0	0	260
5	0	0	0	1	0	1	280
⋮							⋮
57	1	1	1	0	0	1	1320
58	1	1	1	0	1	0	1340
59	1	1	1	0	1	1	1360
60	1	1	1	1	0	0	1380
61	1	1	1	1	0	1	1400
62	1	1	1	1	1	0	1420
63	1	1	1	1	1	1	1440

⁽¹⁾ $t_{Lmax} = 180 + \text{configuration} \times 20$

Table 24-22. Typical Minimum High Bit Wake Receiver Bit Threshold, t_{Hmin}

Typical Minimum High Bit Threshold							$t_{Hmin}^{(1)}$ (μs)
DEC	BIT5	BIT4	BIT3	BIT2	BIT1	BIT0	
0	0	0	0	0	0	0	180
1	0	0	0	0	0	1	200
2	0	0	0	0	1	0	220
3	0	0	0	0	1	1	240
4	0	0	0	1	0	0	260
5	0	0	0	1	0	1	280
⋮							⋮

⁽¹⁾ $t_{Hmin} = 180 + \text{configuration} \times 20$

Table 24-22. Typical Minimum High Bit Wake Receiver Bit Threshold, t_{Hmin} (continued)

Typical Minimum High Bit Threshold							$t_{Hmin}^{(1)}$ (μs)
DEC	BIT5	BIT4	BIT3	BIT2	BIT1	BIT0	
57	1	1	1	0	0	1	1320
58	1	1	1	0	1	0	1340
59	1	1	1	0	1	1	1360
60	1	1	1	1	0	0	1380
61	1	1	1	1	0	1	1400
62	1	1	1	1	1	0	1420
63	1	1	1	1	1	1	1440

Table 24-23. Typical Maximum High Bit Wake Receiver Bit Threshold, t_{Hmax}

Typical Maximum High Bit Threshold							$t_{Hmax}^{(1)}$ (μs)
DEC	BIT5	BIT4	BIT3	BIT2	BIT1	BIT0	
0	0	0	0	0	0	0	260
1	0	0	0	0	0	1	280
2	0	0	0	0	1	0	300
3	0	0	0	0	1	1	320
4	0	0	0	1	0	0	340
5	0	0	0	1	0	1	360
⋮							⋮
57	1	1	1	0	0	1	1400
58	1	1	1	0	1	0	1420
59	1	1	1	0	1	1	1440
60	1	1	1	1	0	0	1460
61	1	1	1	1	0	1	1480
62	1	1	1	1	1	0	1500
63	1	1	1	1	1	1	1520

⁽¹⁾ $t_{Hmax} = 260 + \text{configuration} \times 20$

Table 24-24. Typical Minimum Start Bit Wake Receiver Bit Threshold, t_{Smin}

Typical Minimum Start Bit Threshold							$t_{Smin}^{(1)}$ (μs)
DEC	BIT5	BIT4	BIT3	BIT2	BIT1	BIT0	
0			0	0	0	0	260
1			0	0	0	1	340
2			0	0	1	0	420
3			0	0	1	1	500
4			0	1	0	0	580
5			0	1	0	1	660
⋮							⋮
10			1	0	0	1	980
11			1	0	1	0	1060
12			1	0	1	1	1140
13			1	1	0	0	1220
14			1	1	0	1	1300
15			1	1	1	0	1380
16			1	1	1	1	1460

⁽¹⁾ $t_{Smin} = 260 + \text{configuration} \times 80$

AES encryption keys could not be read out, a validation of the key content can be done through a challenge-response command following a comparison of the received signature with a pre-calculated expected signature.

Different challenge-response lengths can be selected by configuration.

By default an encryption action to a corresponding encryption key is executed without reader signature even if the bank mutual bit for bank 7 is set. If Mutual Authentication is required for the application the associated Page Mutual Lock Bit for the corresponding encryption key needs to be set.

All encryption keys can be used together with the counter pages to implement an one-command rolling code calculation. The counter values are used as challenge input together with the assigned encryption key a signature is calculated. The counter values are incremented automatically by one.

24.3.13 AES Encryption Key 1 MEM[7:16-19]

The AES Encryption Key 1 is the standard encryption key for LF passive mode function. All mutual read, program, and lock commands use this encryption key for reader signature calculation. The AES Encryption Key 1 is stored in four consecutive pages MEM[7:16], MEM[7:17], MEM[7:18], and MEM[7:19]. Programming of AES Encryption Key 1 can be performed by executing four write page commands or a special action to program the complete key at once. Further more programming can be done in conjunction with the transport key.

24.3.14 AES Encryption Key 2 MEM[7:20-23]

The AES Encryption Key 2 can be used for additional encryption applications. The AES Encryption Key 2 is only used with the corresponding encryption actions. The AES Encryption Key 2 is stored in four consecutive rows MEM[7:20], MEM[7:21], MEM[7:22], and MEM[7:23].

The AES Key 2 is not connected to any other protocol functionality and therefore can be used for additional access security systems, like building access systems.

24.3.15 AES Encryption Key 3 MEM[7:24-27]

The AES Encryption Key 3 can be used to generate a signature for Remote Keyless Entry (RKE) applications, typically initiated by a push-button activation at the microcontroller utilizing an incrementing counter value as challenge.

24.3.16 Transport Key MEM[7:28-31]

The Transport Key can be used for encrypted key learning sequences. Any encryption key can be programmed with special actions (hash programming) incorporating the transport key. The programmed encryption key is the plain LF data encrypted with the transport key.

24.4 Low-Frequency Front End Core Functions

24.4.1 Oscillation Maintenance Function

During LF passive mode uplink communication from a RF430F59xx device to the base station, the resonant oscillation is constantly supplied with energy out of the charge capacitor to prevent an amplitude drop at the oscillation.

The amount of energy transferred into resonant circuit is defined by customer configuration of bank 7 page 5 through the configuration bits High_Q_RF1, High_Q_RF2, and High_Q_RF3. For the correct settings, see the device-specific data sheet.

24.4.2 Oscillation Stop Function

At the end of the uplink telegram the resonant oscillation is stopped by reducing the quality factor of the resonant circuit so that to oscillation is damped significantly.

24.4.3 LF Passive Mode VCL Discharge

If the IMMO_DCHRG bit is set in the customer configuration of bank 7 page 5, a complete discharge of the VCL voltage is executed after uplink completion.

If the IMMO_DCHRG bit is not set, VCL does not discharge and declines based on the device standby current, the charge capacitor size, and leakage of external components. As energy is still available in the charge capacitor, following telegrams require a shorter charge time or a higher communication range is possible in the same charge time.

NOTE: Burst read protocols require that IMMO_DCHRG bit is not set.

NOTE: If an error occurs during the LF passive-mode communication (for example, invalid telegrams or BCC errors), a discharge is executed independent of the IMMO_DCHRG setting. As a complete reset is executed, the WAKE signal line is active depending on the conditions at VCL and VBAT. This is similar to power up when the device is first supplied with VBAT. An SPI status read shows that no switch is pressed and no wake pattern is received. An SPI power down command must be executed to reset the WAKE line, or an SPI timeout might reset the WAKE signal line.

24.4.4 Modulation Capacitor (CM)

All AES devices provide embedded modulation capacitors used to generate the FSK modulation deviation during LF passive mode uplink telegrams. Two different modulation capacitors values are available for each LF channel allowing to use two different antenna inductances. As the capacitors can be selected for each channel independently different antenna inductances can be connected on each LF channel.

The modulation capacitors can be selected by customer configuration of bank 7 page 5 through the configuration bits High_L_RF1, High_L_RF2, and High_L_RF3.

NOTE: Choosing the correct inductance value and modulation capacitors is only required for the channels used to execute a LF passive-mode communication. If the application only requires a wake receiver functionality the inductance and modulation capacitors are free to chose.

24.4.5 Trimming Capacitors

To achieve highest wake receiver and LF passive mode performance the resonant circuit of all AES devices can be operated with a high quality factor. Operation with a high Q factor requires a very accurate adjustment of the resonant frequency, therefore all devices offer embedded resonant trimming capacitors for each LF channel. The resonant trimming capacitors can be programmed through the test interface, the LF interface or the SPI interface. By measuring the resonant frequency and reprogramming the trimming capacitors it is possible to eliminate the variances of the resonant circuit (inductance and resonant capacitor) and the input capacitance of the device itself.

24.4.6 3-Dimensional LF Passive Mode Channel Selector

During LF passive-mode communication energy is transferred from the reader to the AES device whereas the energy is received on all three LF channels. During the start of the downlink communication a dedicated logic block decides on the best communication channel to choose for further downlink and uplink communication. If the three inductances of a 3D antenna are positioned in x, y and z orientation a LF passive-mode communication is possible independent of the antennas orientation to the reader.

24.5 3D LF Passive-Mode Communication Scheme

24.5.1 Basic Communication Structure

A communication via low frequency interface consists of a downlink and an uplink phase.

The downlink phase consists of

- Charge phase
- Write phase

Certain functions require an additional action phase after downlink. During action phase the transmitter of LF transceiver is continuously on.

After a successful downlink and a possible action, the uplink, also called read or response phase follows. This phase starts after an end-of-frame (EOF, t_{EOF}) of the write phase or after the termination of an action phase. EOF is reached for transponder, when a counter overflow is reached (c_{OVLdet}). The deactivation of transmitter is detected by the End-Of-Burst (EOB) detector in the transponder, which starts the response phase (t_{resp}). The first high bit modulation occurs after t_{trans} .

Figure 24-3 shows the communication structure of a valid read. The receiver of the reader has to check for start byte of read telegram after a delay (t_{recdly}), which allows the receiver to recover from transmit burst overload.

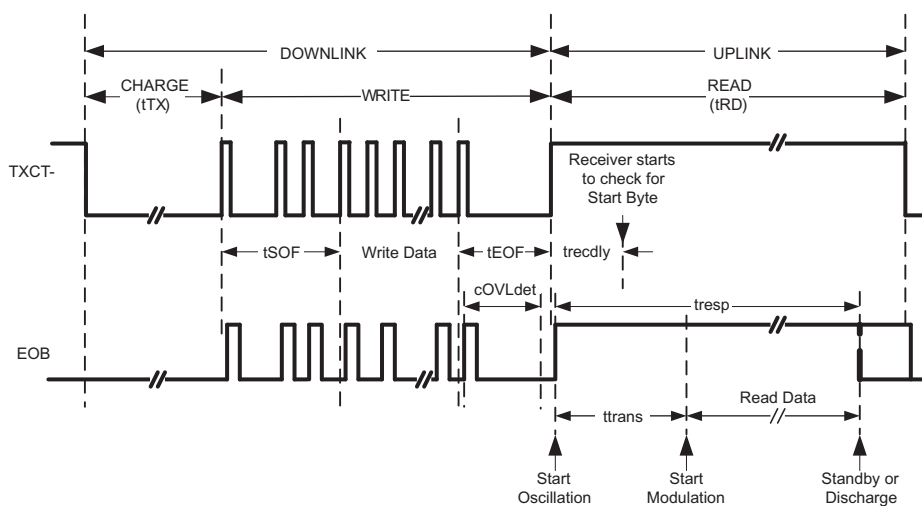


Figure 24-3. Communication Structure of a Valid Read Function

If the start byte is not detected during Receive Check Time (t_{recchk}), the reader can start a new communication cycle with a charge phase (see Figure 24-4).

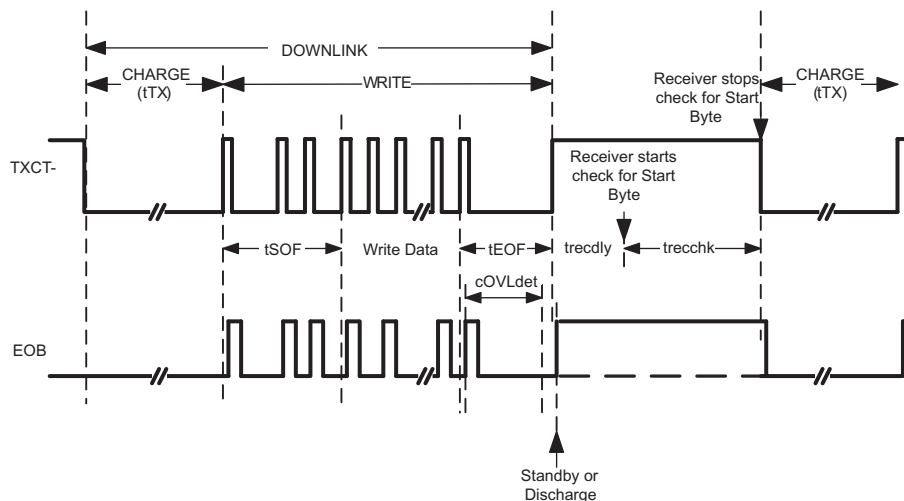


Figure 24-4. Communication Structure of an Invalid Read Function

For authentication purposes (challenge-response) using the AES unit, an action phase (t_{auth}) is required between downlink and uplink (see Figure 24-5).

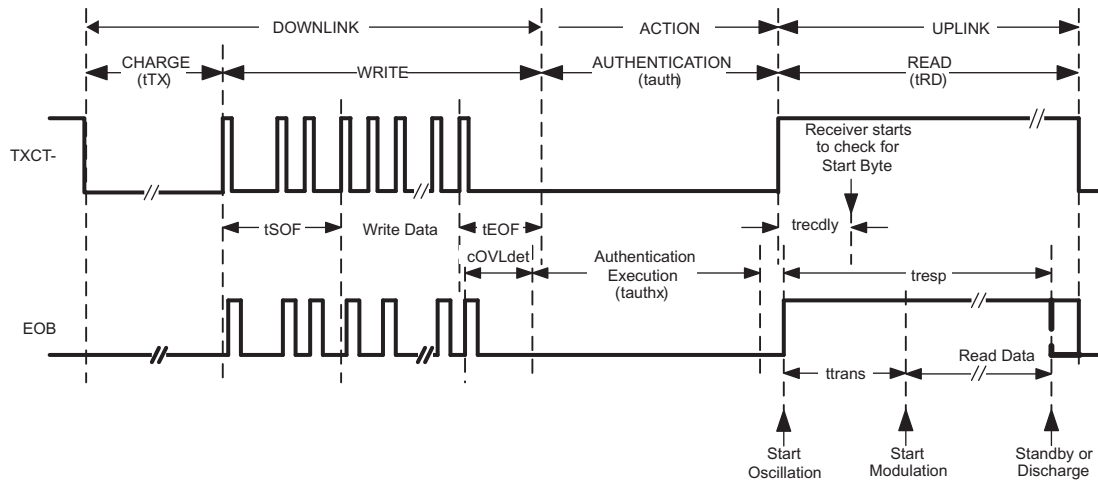


Figure 24-5. Communication Structure of Valid Authentication Function

The action phase between downlink and uplink for programming functions has same duration (t_{prog}) regardless of the number of bits to be programmed (see Figure 24-6). Programming execution is determined by the Programming Supervision Counter (t_{progs})

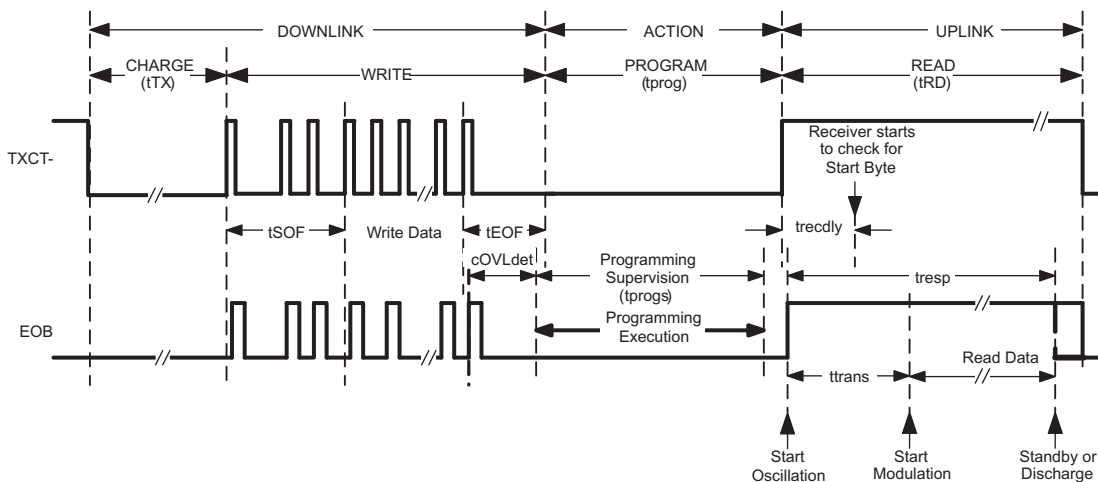


Figure 24-6. Communication Structure of Valid Program Function

For Mutual Authentication programming and lock functions (see Figure 24-7), the authentication time (t_{auth}) is required in addition to the programming time (t_{prog}).

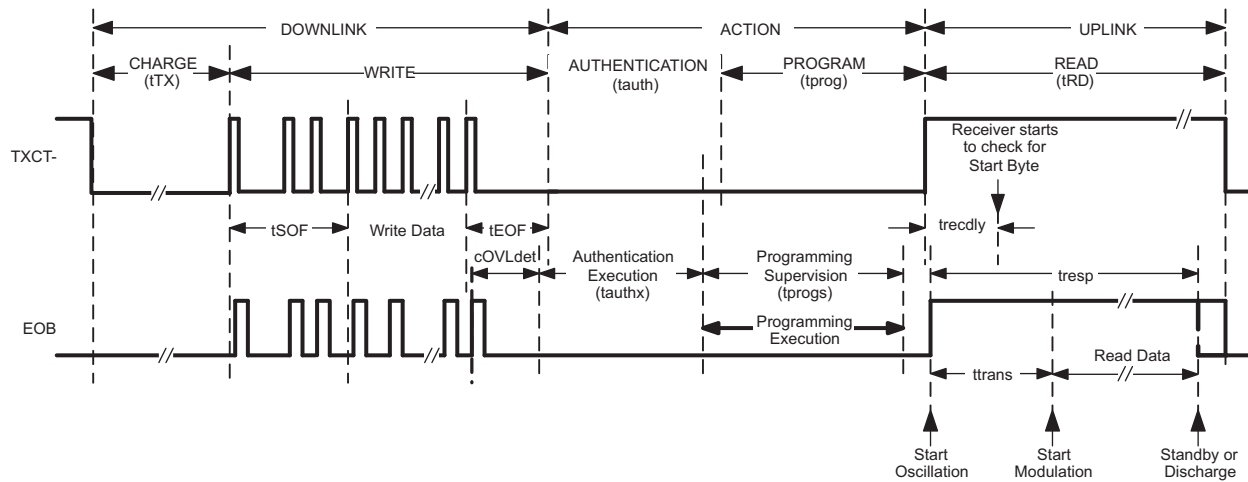


Figure 24-7. Communication Structure of Valid Mutual Authentication Program

For hash programming functions, an additional hash calculation cycle equal to the authentication cycle is required.

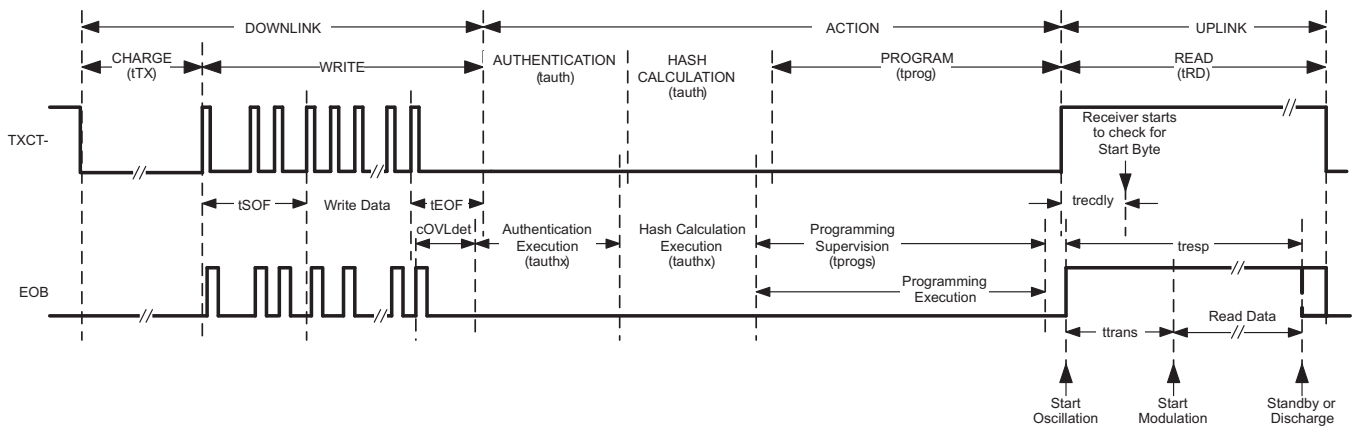


Figure 24-8. Communication Structure of Valid Hash Mutual Authentication Program

24.5.2 LF Passive Mode Downlink Timings

24.5.2.1 LF Passive Mode Charge Phase

The charge phase is initiated by switching the TXCT input of the transmitter to low and with this activating the LF field. The required duration of activation (t_{TX}) depends on system parameters such as:

- Transmitter field strength
- Coupling factor between transceiver and transponder antenna
- Charge capacitor

During charge phase, the charge capacitor (C_L) is charged to voltage V_{CL} and all circuits are reset. The minimum duration, required for power-on-reset, must be observed (t_{TXmin}). The charge phase is terminated with first modulation.

24.5.2.2 LF Passive Mode Write Phase

The write phase consists of three parts:

- SOF (Start of Frame)
- Downlink, addressing and data transfer
- EOF (End Of Frame)

The coding scheme used for sending information to the transponder (WRITE) is called Bit Length Coding (BLC). The information is contained in the period of a bit. Four different bit periods are available:

t_{bitL} = Low Bit (L-Bit)

t_{bitH} = High Bit (H-Bit)

t_{bitS} = Start Bit (S-Bit)

t_{EOF} = End Of Frame (EOF)

Each bit (t_{bitL} , t_{bitH}) consists of a transmitter deactivation phase (t_{off}), equal for each bit and an activation phase (t_{onL} , t_{onH}), different regarding meaning.

LF Passive Mode Start of Frame (SOF)

The write phase is headed by a Start Of Frame (SOF) sequence (see [Figure 24-9](#)). During SOF, the transponder automatically adapts to the reader timing by calculating four detection thresholds (CL_{det} , CH_{det} , $CSOF_{\text{det}}$, $COVL_{\text{det}}$) from a period duration measurement of a low bit and a high bit (C2bit). For this purpose three bits must be sent by the Transmitter (t_{bitS} , t_{bitL} , t_{bitH}).

The thresholds are calculated by the transponder using the following formulas:

$$CH_{\text{det}} = C2_{\text{bit}} / 2 = \text{INT}((CL + CH) / 2)$$

$$CL_{\text{det}} = CH_{\text{det}} - dC$$

$$CSOF_{\text{det}} = CH_{\text{det}} + dC$$

$$COVL_{\text{det}} = CH_{\text{det}} + 2 \times dC$$

The spread dC is calculated depending on a mode bit setting in EEPROM configuration

$$dC = CH_{\text{det}} \times 0.25 \text{ Narrow Spread (IMMO_TH_WIDE} = 0)$$

$$dC = CH_{\text{det}} \times 0.5 \text{ Wide Spread (IMMO_TH_WIDE} = 1)$$

The deactivation phase (t_{off}) results in a drop of transmitter RF signal and due to this to an activation of the transponder End Of Burst (EOB) signal. The durations of EOB (t_{offtrp}) strongly vary depending on transmitter and transponder quality factor and coupling. The defined minimum ($t_{\text{offtrpmin}}$) secures that EOB is detected by control logic under all conditions. The maximum ($t_{\text{offtrpmax}}$) is depending on the selected High Bit Detection Threshold (t_{Hdet}) and the selected Low Bit duration (t_{bitL}).

The first bit, the start bit (S-Bit) triggers the first occurrence of EOB. Before first EOB, the transponder is in a low power mode, where all functionality, except EOB-detection, is disabled to preserve charge already collected in charge capacitor. During reception of S-Bit, the transponder initializes the data-rate adaption performed in the following two bits, a low bit (L-Bit) and a high bit (H-Bit).

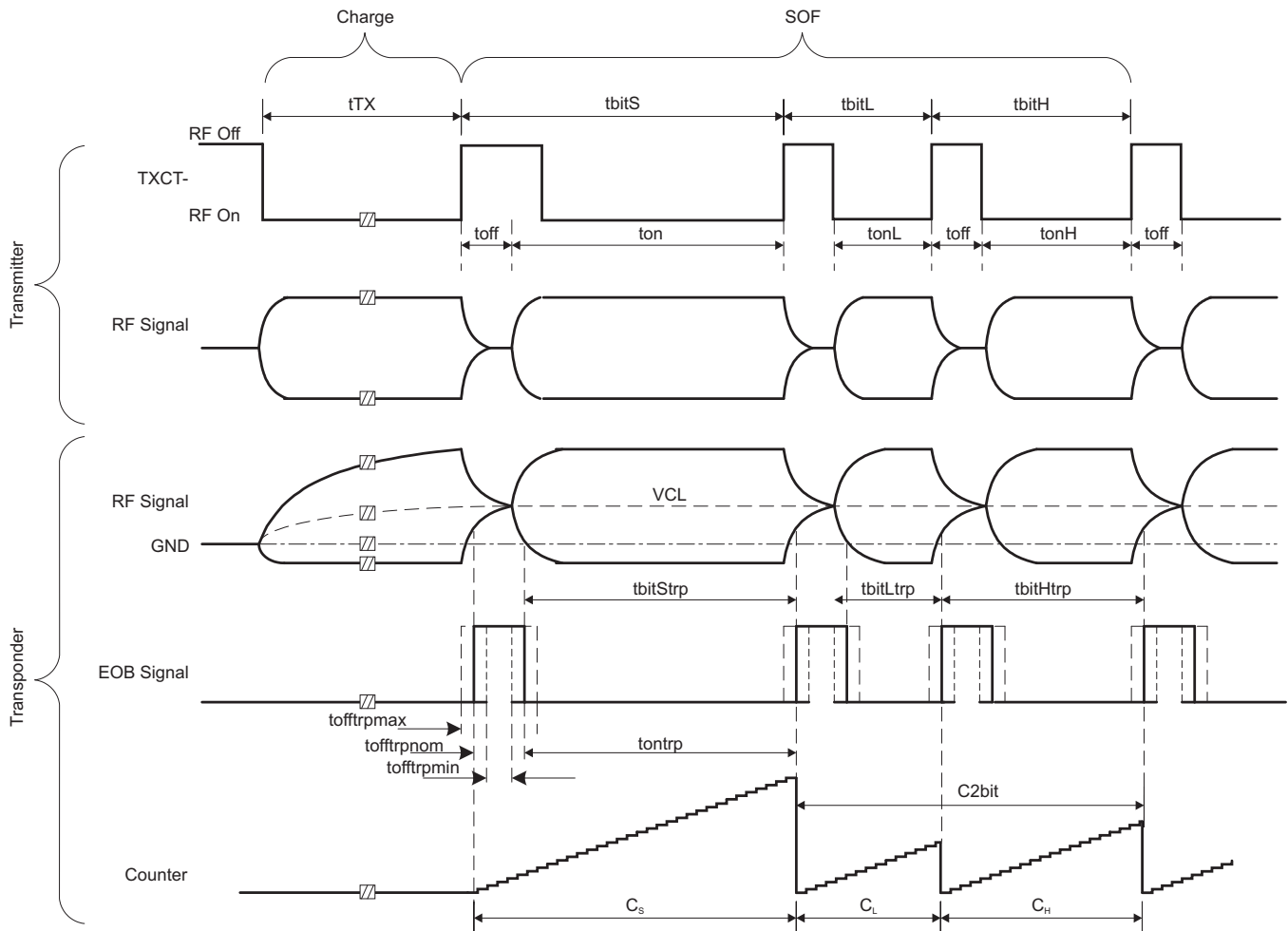


Figure 24-9. Start of Frame Sequence

The transponder determines the bit information by counting the digitized clocks derived from an internal oscillator circuit. While the EOB duration at transponder (t_{offtrp}) is different compared to the transmitted burst pause (t_{off}), the detected bit durations (t_{bitStrp} , t_{bitLtrp} , t_{bitHtrp} , and t_{EOFtrp}) are nearly equal to the transmitted ones (t_{bitS} , t_{bitL} , t_{bitH} and t_{EOF}). Therefore the High Bit Detection counter is started with the rising edge of EOB (begin of burst pause) and counts until next positive transition of EOB.

The bit information is determined regarding the following equations (see also Figure 24-10):

$$\text{Low Bit} = C_{L_{\text{det}}} \leq \text{Count} < C_{H_{\text{det}}}$$

$$\text{High Bit} = C_{H_{\text{det}}} \leq \text{Count} < C_{\text{SOF}}$$

$$\text{Start Bit} = C_{\text{SOF}} \leq \text{Count} < C_{\text{OVL}}$$

$$\text{EOF} = C_{\text{OVL}} \leq \text{Count}$$

LF Passive Mode Downlink Bit Definitions

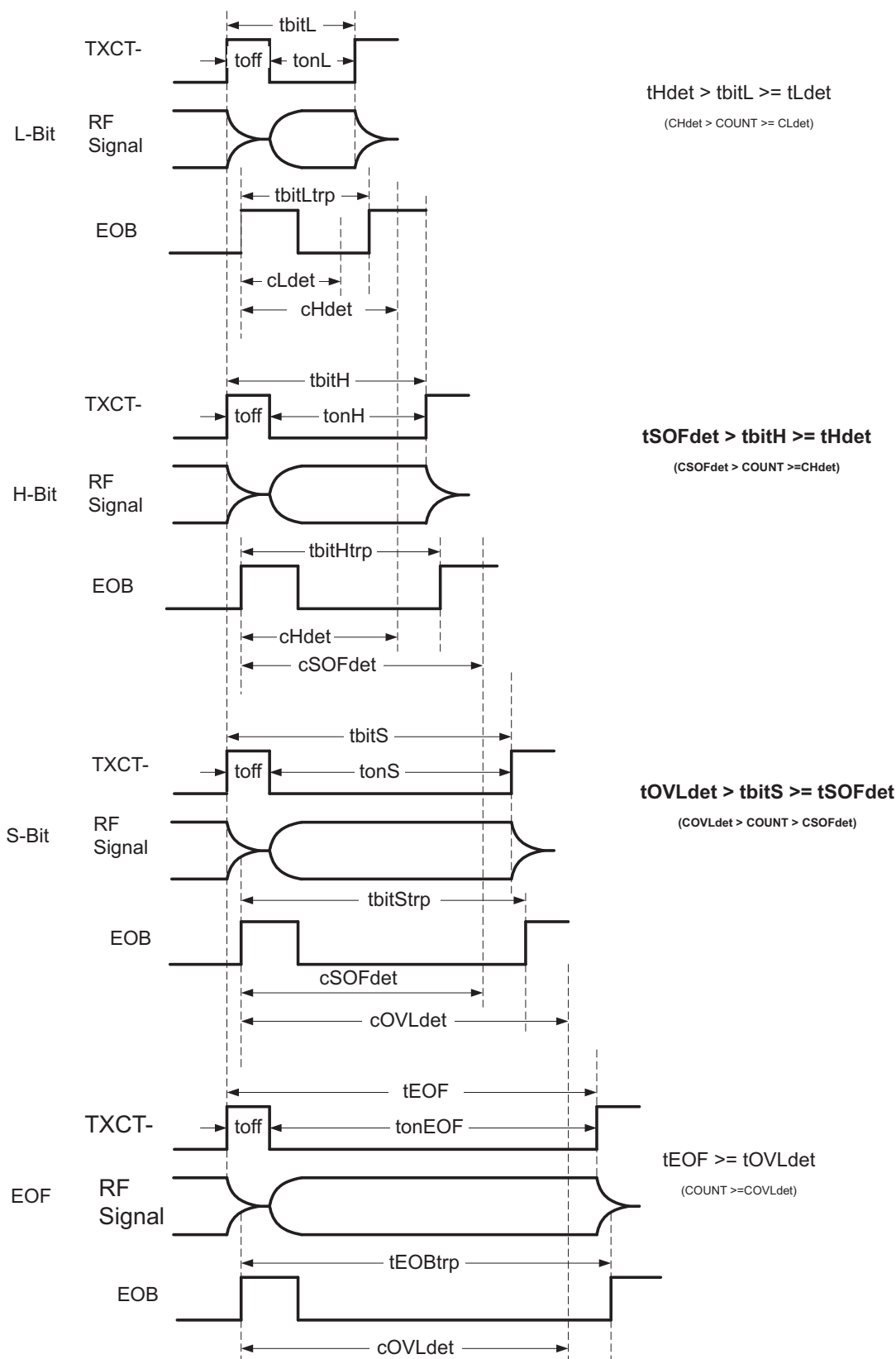


Figure 24-10. Determination of Bit Information

Some examples for the resulting threshold for given data rate (assuming equal distribution of 0 and 1) are shown in Figure 24-11.

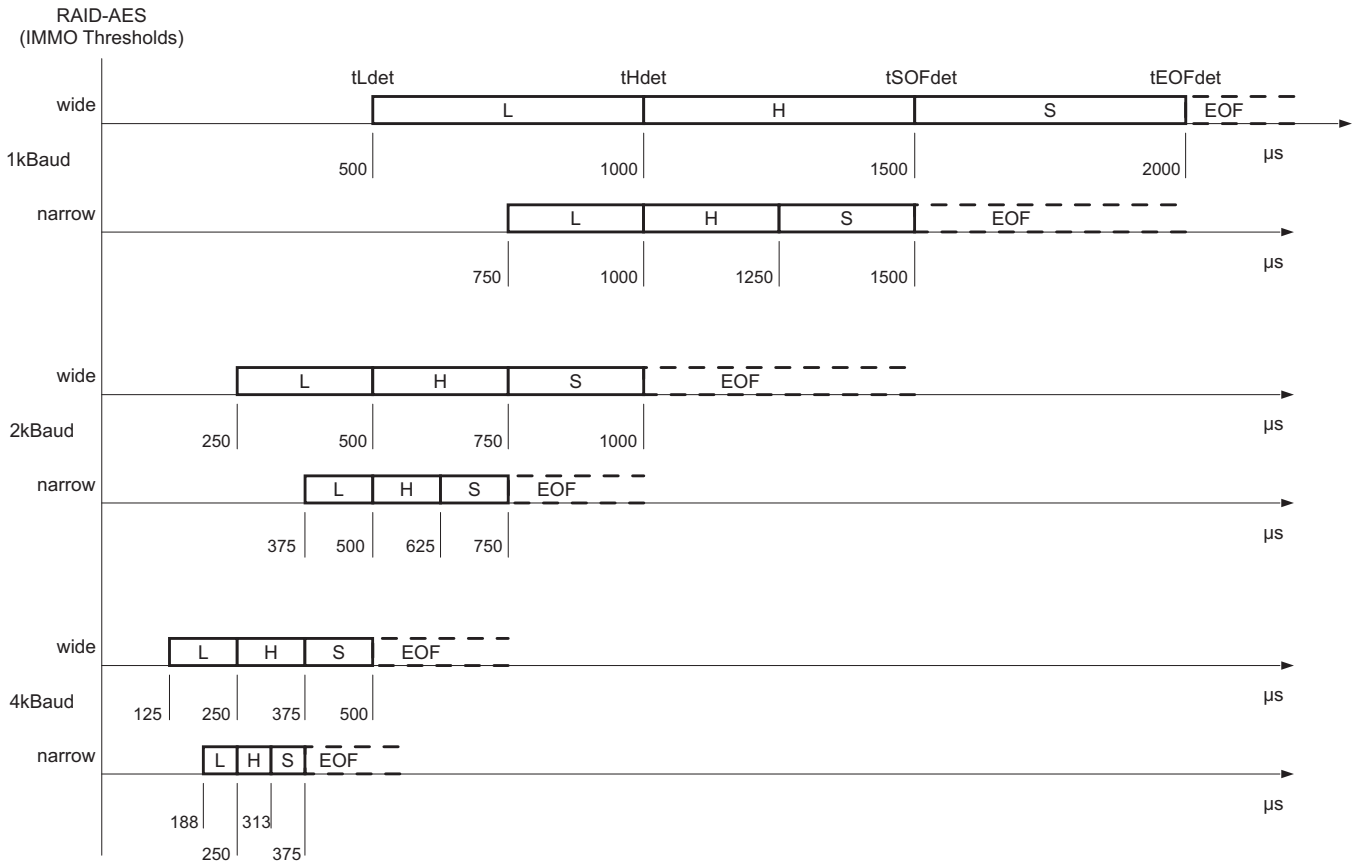


Figure 24-11. Transponder Bit Threshold Adaptation Examples

Write Timing Determination

The LF passive mode system design determines the write timing based on the desired system parameters. The following calculations and tables should help to find the optimum timings.

For rough determination of transmitter write timing, the following IC and system parameters must be known:

- Minimum transponder operating voltage of IC ($V_{CL_{min}}$)
- Maximum transponder EOB detector thresholds ($VEOB_{onmax}$)
- Maximum transponder operating quality factor (Q_{op})
- Maximum transceiver transmit quality factor (Q_{TX})
- Maximum transceiver receive quality factor (Q_{RX})

The following example assumes that the transponder has the following parameters (for details see the device-specific data sheet):

$$V_{CL_{MIN}} = 2.2 \text{ V}$$

$$VEOB_{ONMAX} = 0.6 \text{ V}$$

$$QOP = 120$$

In a typical LF passive mode reader using the TMS3705, the transmit quality factor (QTX) and the receive quality factor (QRX) are approximately equal and should not exceed the following value:

$$QTX \approx QRX = 10$$

Because the transponder operating quality factor is significantly higher than the transceiver quality factors, the receive quality factor (QRX) is the limiting factor for write timing.

$$Q_{RX} = \frac{2 \times \pi \times f_{TX} \times L_{ANT}}{R_{RX}} = 10 \quad (L_{ANT} = 440 \mu\text{H}, R_{RX} = 37.1 \Omega) \quad (19)$$

Q_{RX} can be measured while transceiver is in receive mode, using a spectrum analyzer with pickup and tracking coil, or it can be calculated as shown in the following example.

The receive resistance (R_{RX}) is the sum of the following resistances (see Figure 24-12):

LF passive mode antenna resistance (R_{ANT})

On-resistances of N-channel transistors of driver stage ($R_{ON} = R_{ON1} + R_{ON2}$)

Filter resistor ($R_S = R_{S1} + R_{S2}$), if it exists

Serial representation of antenna damping resistor (R_{DMPS}), if it exists

$$R_{RX} = R_{ANT} + R_{ON} + R_S + R_{DMPS} = 37.1 \Omega \quad (20)$$

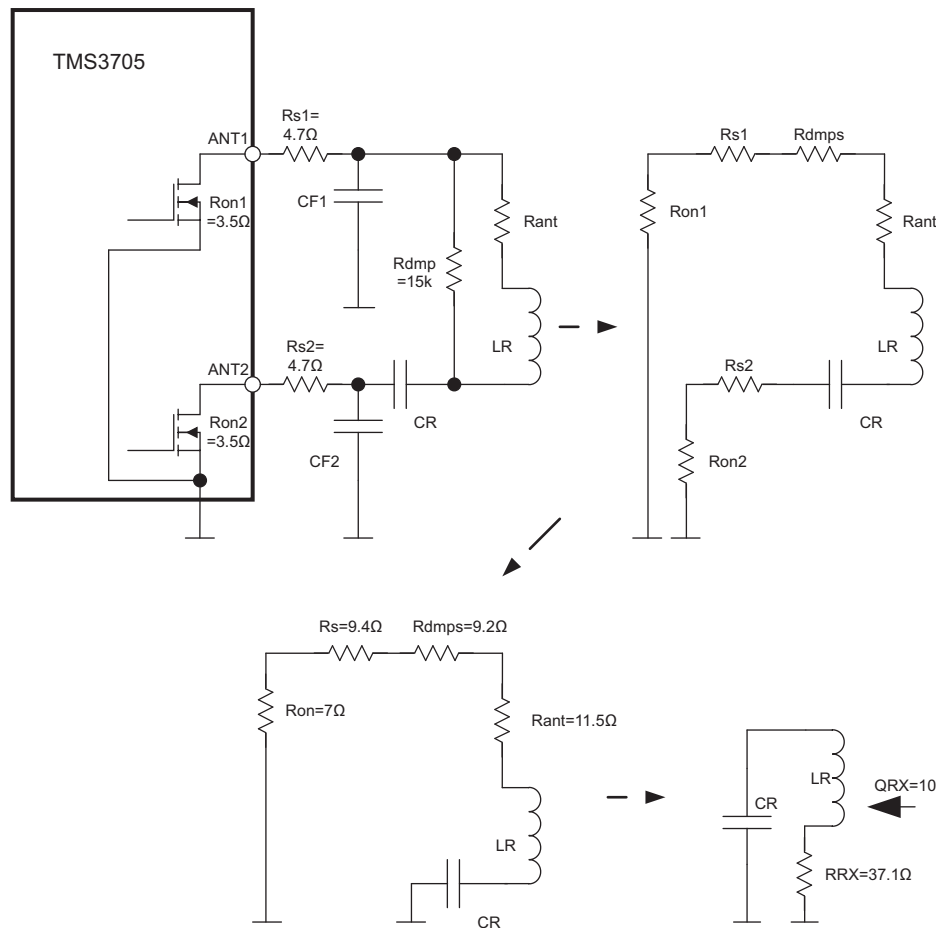


Figure 24-12. Determination of Receive Quality Factor

R_{ANT} can be determined by an antenna inductance and quality factor measurement at $f_{TX} = 134.2$ kHz:

$$R_{ANT} = \frac{2 \times \pi \times f_{TX} \times L_{ANT}}{Q_{ANT}} = 11.5 \Omega \quad (L_{ANT} = 440 \mu\text{H}, Q_{ANT} = 32.2) \quad (21)$$

The resistances R_{ON} can be found in the reader ASIC data sheet or in data sheets of external driver transistors.

$$R_{ON}[TMS3705] = 2 \times 3.5 = 7 \Omega \quad (22)$$

Recommendations for filter including R_S are given in the application reports found at www.ti.com/msp430.

Typical values are:

$$R_S = 2 \times 4.7 = 9.4 \Omega \quad (23)$$

The damping resistor (R_{dmp}) is typically connected in parallel to the antenna and must be converted to a serial resistor (R_{dmps}):

$$R_{DMPS} = \frac{(2 \times \pi \times f_{TX} \times L_{ANT})^2}{R_{DMP}} = 9.2 \Omega \quad (L_{ANT} = 440 \mu\text{H}, R_{DMP} = 15 \text{ k}\Omega) \quad (24)$$

Determination of t_{OFF}

For far distance range it can be assumed that the resulting system quality factor (Q_{OFF}) is the sum of reader and transponder quality factor:

$$Q_{OFF} = Q_{RX} + Q_{OP} = 130 \quad (Q_{RX} = 10, Q_{OP} = 120) \quad (25)$$

The RF amplitude drop during a modulation can be described by the following formula:

$$V_1 = V_0 \times e^{-\left(\frac{dt \times \pi \times f_{RES}}{Q_{OFF}}\right)} \quad (26)$$

V₀ = Amplitude before modulation

V₁ = Amplitude after dt

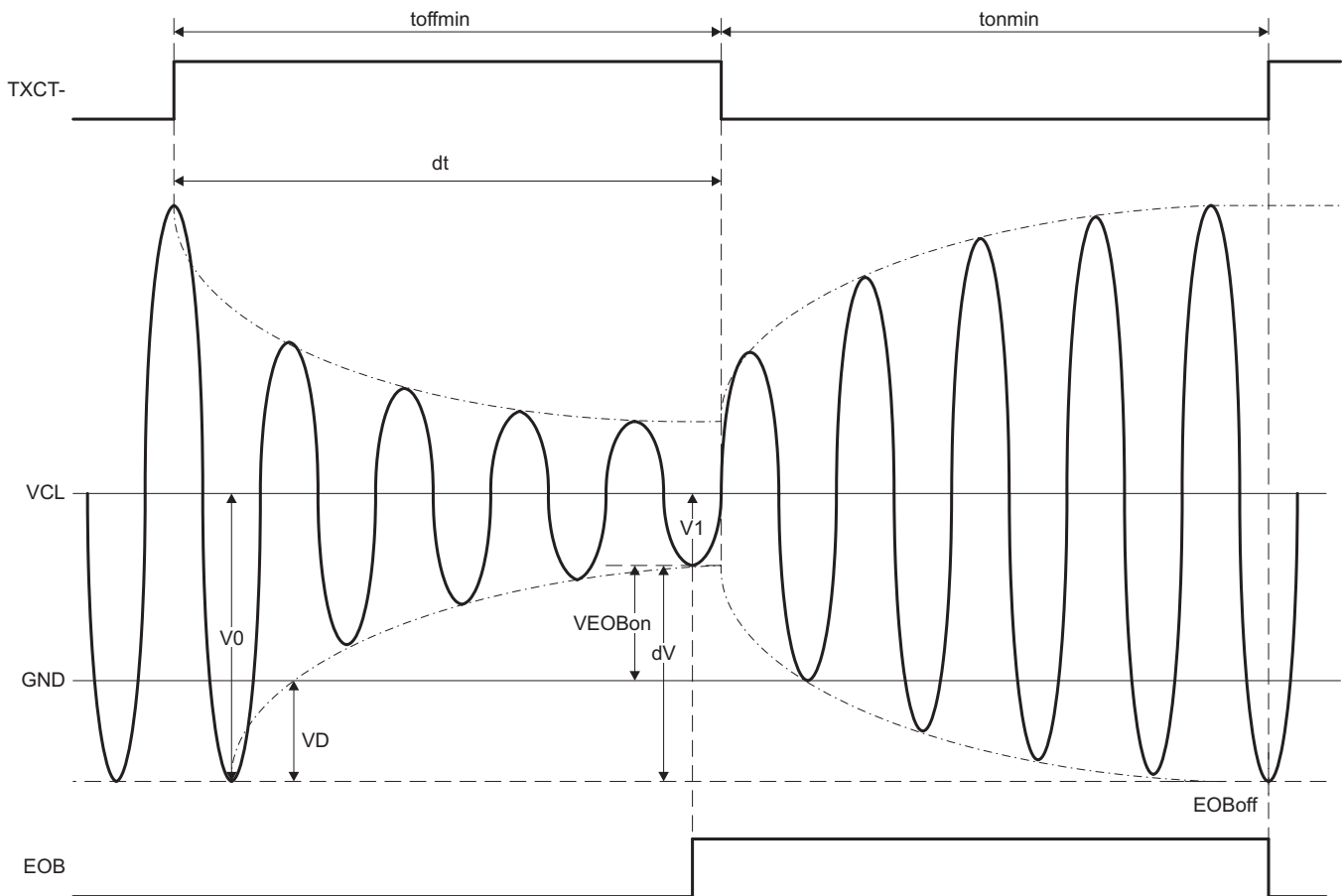


Figure 24-13. RF Voltage Drop During Modulation

In worst case, the negative half-wave of the RF amplitude must drop by dV until the EOB Detector switches on:

$$dV = VD + VEOB_{onmax} = 0.6 + 0.6 = 1.2 \text{ V} \quad (27)$$

At minimum supply voltage (VCL), the amplitude before modulation is

$$V_0 = V_{CL_{min}} + V_D = 2.2 + 0.6 = 2.8 \text{ V}$$

$$V_1 = V_0 - dV = V_{CL_{min}} - V_{EOB_{onmax}} = 2.2 - 0.6 = 1.6 \text{ V}$$

$$dt = t_{offmin} = -\frac{Q_{OFF}}{\pi \times f_{RES}} \times \ln \frac{V_1}{V_0} = 172.6 \text{ } \mu\text{s} \quad (28)$$

The minimum recommended burst pause (t_{OFF}) for the RF430F59xx for above parameter can also be determined using the chart shown in Figure 24-14.

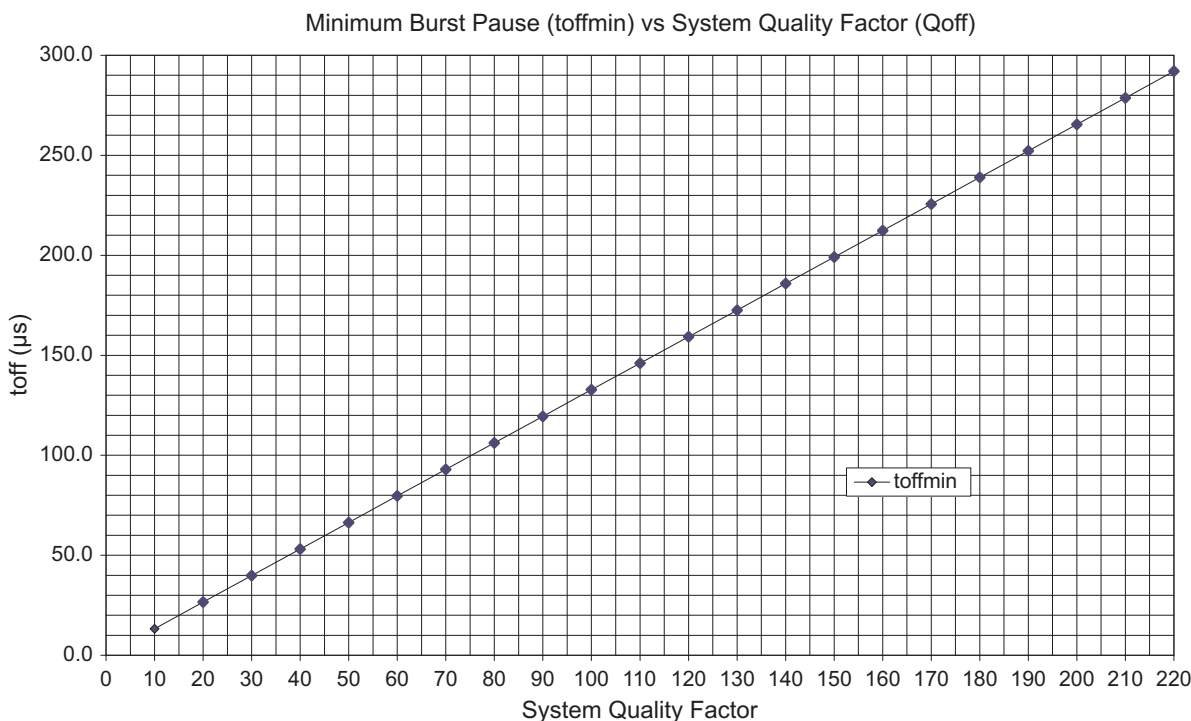


Figure 24-14. Determination of t_{OFF} Using Q_{off}

Determination of t_{on} , t_{bitL} , and t_{bitH}

The activation time t_{on} must be at least equal to the deactivation time (t_{off}), which also defines the low bit threshold (t_{Ldet}) (see the following equations).

$$t_{onmin} = t_{offmin} = 172.6 \text{ } \mu\text{s}$$

$$t_{Ldet} = t_{offmin} + t_{onmin} = 345.2 \text{ } \mu\text{s} \quad (29)$$

In the following calculation it is assumed, that the narrow spread (IMMO_TH_WIDE= 0) is selected:

$$dC = CHdet \times 0.25 \quad (30)$$

Using above formulas, the high bit detection threshold (t_{Hdet}) and the start of frame threshold (t_{SOFdet}) can be calculated:

$$t_{Hdet} = \frac{t_{Ldet}}{(1 - 0.25)} = \frac{t_{Ldet}}{0.75} = 460.3 \text{ } \mu\text{s}$$

$$dt = t_{Hdet} \times 0.25 = 115.1 \text{ } \mu\text{s}$$

$$t_{SOFdet} = t_{Hdet} + dt = 575.4 \text{ } \mu\text{s} \quad (31)$$

The low bit period (t_{bitL}) should be between t_{Ldet} and t_{Hdet} :

$$t_{bitL} = \frac{(t_{Hdet} + t_{Ldet})}{2} = 402.8 \text{ } \mu\text{s} \quad (32)$$

The high bit period (t_{bitH}) should be between t_{Hdet} and t_{SOFdet} :

$$t_{\text{bitH}} = \frac{(t_{\text{Hdet}} + t_{\text{SOFdet}})}{2} = 517.9 \mu\text{s} \quad (33)$$

Determination of t_{bitS} and t_{EOF}

The overflow detection threshold (t_{OVLdet}) is calculated using these formulas:

$$t_{\text{OVLdet}} = t_{\text{Hdet}} + 2 \times dt = 690.5 \mu\text{s} \quad (34)$$

The S-bit period (t_{bitS}) should be between t_{SOFdet} and t_{OVLdet} :

$$t_{\text{bitS}} = \frac{(t_{\text{SOFdet}} + t_{\text{OVLdet}})}{2} = 633 \mu\text{s} \quad (35)$$

The end of frame period is the sum of t_{OVLdet} and half of the spread:

$$t_{\text{EOF}} = t_{\text{OVLdet}} + \frac{dt}{2} = 748.1 \mu\text{s} \quad (36)$$

These results can also be found in [Table 24-27](#), which gives downlink timing recommendations for other data rates. [Table 24-28](#) gives recommendations for wide-spread configuration.

NOTE: A write timing measurement with all system components is recommended after approximate determination of write timing. This measurement includes effects caused by detuning of the transponder resonant circuit. t_{OFF} might need to be modified if strong coupling of the EOB durations (t_{offrp}) becomes too short or the EOB duration becomes too long at low coupling.

Table 24-27. Recommended LF Passive Mode Downlink Timings (Narrow Spread)

Data Rate (bits/s)	Q_{offmax}	t_{offmin} (μs)	t_{Ldet} (μs)	t_{bitL} (μs)	t_{Hdet} (μs)	t_{bitH} (μs)	t_{SOFdet} (μs)	t_{bitS} (μs)	t_{OVLdet} (μs)	t_{EOF} (μs)	Remark
1250	226	300	600	700	800	900	1000	1100	1200	1300	
1875	151	200	400	466	533	600	666	732	799	866	
2174	130	173	345	403	460	518	575	633	690	748	default
2777	102	135	270	315	360	405	450	495	540	585	
2976	95	126	252	294	336	378	420	462	504	546	
4000	70	94	188	219	250	281	313	344	375	406	

Table 24-28. Recommended LF Passive Mode Downlink Timings (Wide Spread)

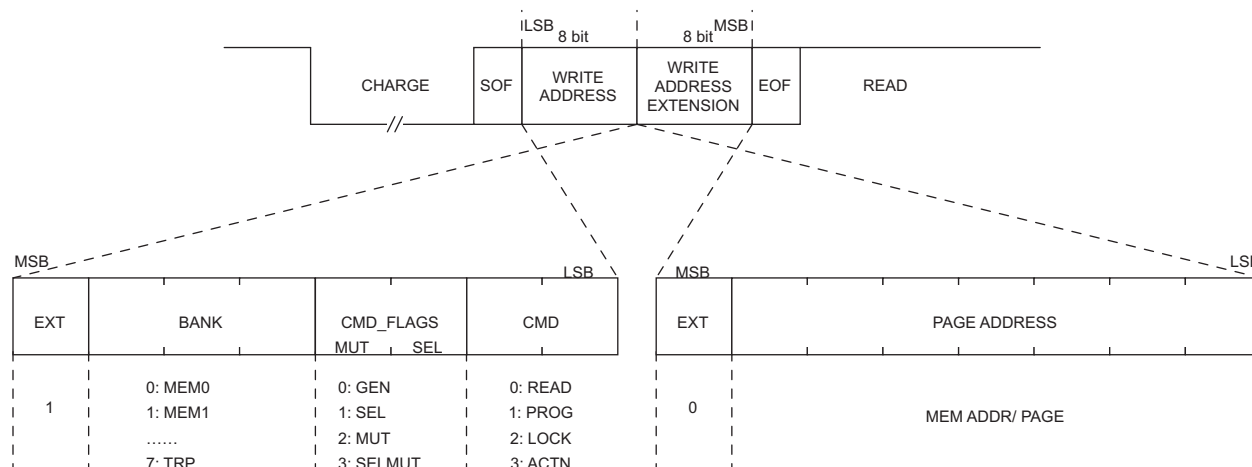
Data Rate (bits/s)	Q_{offmax}	t_{offmin} (μs)	t_{Ldet} (μs)	t_{bitL} (μs)	t_{Hdet} (μs)	t_{bitH} (μs)	t_{SOFdet} (μs)	t_{bitS} (μs)	t_{OVLdet} (μs)	t_{EOF} (μs)	Remark
1250	151	200	400	600	800	1000	1200	1400	1600	1800	
1875	100	133	268	400	533	666	799	932	1065	1198	
2174	87	115	230	345	460	575	690	805	920	1035	
2777	68	90	180	270	360	450	540	630	720	810	
2976	63	84	168	252	336	420	504	588	672	756	
4000	47	63	125	188	250	313	375	438	500	563	(1)

(1) The minimum allowed t_{off} for TMS3705 is 85 μs.

24.5.3 LF Passive Mode Downlink Protocols

After SOF, the write function sends predefined commands to the transponder to program, read, encrypt, or lock respective data or pages (functions), or request certain actions. The command is followed by compulsory and optional parameters and data, depending on the setting of the mode bits and the function bits. The mode bits and function bits also determine the length of some parameters.

The pages of the EEPROM, the functions, and the actions are addressed by means of at least two address bytes in the write telegram (see [Figure 24-15](#)).



NOTE: Add selected mode/inventory mode.

Figure 24-15. Write Address Bytes Partitioning

24.5.3.1 Command Addressing

The four LSB of the first transmitted write address byte represent the command (CMD) and the command flags (CMD_FLAGS). Four commands are represented by the first two bits:

- Read Command
- Program Command
- Lock Command
- Action Command

The command flags are coded in the next two bits and select:

- General Addressing Mode
- Selective Addressing Mode
- Mutual Authentication Addressing Mode
- Selective Mutual Authentication Addressing mode

The three next bits define the memory bank in which page addressing is done.

- The most significant bit (MSB) of the first byte is an extension bit set to 1, which indicates that an address extension 1 byte follows.
- The page address is located in the seven LSB of the address extension 1 byte.
- The MSB of the extension address 1 byte is again an extension bit allowing further address extension.

[Table 24-29](#) describes addressing transponder functions, and [Table 24-30](#) describes transponder actions.

24.5.3.2 Selective Addressing

Selective addressing provides the possibility to address specific transponders based on their selective address stored in EEPROM. The selective address in the EEPROM can have a value from 00h to FFh (default).

To enable the function, the related command and a selective address byte must be sent in the downlink telegram. The addressed command is executed only if the selective address in the EEPROM matches to the selective address in the downlink telegram.

General commands are still possible as long as the selective address in the EEPROM is not 00h.

By setting the selective address of a transponder to 00h, the transponder does not execute any general commands; however, it does execute selective commands with selective address 00h.

MEM[7:4] (Byte 0) contains the selective address with following meaning:

00h = Mute general functions and valid selective address (transponder does not respond to general commands).

01-FFh = Valid selective addresses (default: FFh)

24.5.3.3 Mutual Authentication

If the Mutual Authentication flag is set, the device expects a reader signature after address bytes transmission for authenticate the reader to the device. For that purpose, the complete write telegram is signed with a reader signature. Inputs for encryption process are:

- Write address
- Write address extension
- Selective address (if it exists)

The used encryption keys are listed in the command set tables ([Table 24-32](#) through [Table 24-35](#)).

The transponder executes the commands only if the signature determined by the transponder matches the received reader signature. If the authentication process is not successful, no uplink is sent. The device stops oscillation during pre-bit phase and discharges, then enters the idle state. Mutual Authentication can also be combined with selective addressing.

NOTE: Details of the mutual authentication process are in the AES documentation, which is available on request and requires a nondisclosure agreement.

Table 24-29. Addressing of Transponder Functions

Function	CMD_BYTE					Extension Byte		Selection Address	Challenge/Reader Signal	Data	BCC	Uplink Length Payload				
	Ext. Bit (1 bit)	Bank (B) (3 bits)	CMD_FLAGS		CMD (2 bits)	Ext. Bit (1 bit)	Page/Action (7 bits)									
			Mutual (1 bit)	Selective (1 bit)												
General Read	1	0, 1, 2, 3, 7	0	0	00	0	00-7F	-	-	-	-	96 (B7) 128 (B0-3)				
Selective Read			0	1			00-7F	00-FF	-	-	-					
Mutual Authentication Read			1	0			00-7F	-	-	-	-					
Selective Mutual Authentication Read			1	1			00-7F	00-FF	-32	-	-					
General Program			0	0	01		10	00-7F	-	-	-		yes			
Selective Program			0	1				00-7F	00-FF	-	-		yes			
Mutual Authentication Program			1	0				00-7F	-	-32	32 (B7) 64 (B0-3)		yes			
Selective Mutual Authentication Program			1	1				00-7F	00-FF	-	yes					
General Lock			0	0	10			11	00-7F	-	-		8	yes		
Selective Lock			0	1					00-7F	00-FF	-		yes			
Mutual Authentication Lock			1	0					00-7F	-	-32		yes			
Selective Mutual Lock			1	1					00-7F	00-FF	-		yes			
General Action			0, 1, 2, 3, 7	0, 1, 2, 3, 7	0				0	00-7F	-		-	Depends on action	Depends on action	Depends on action (see Table 24-30)
Selective Action					0				1	00-7F	00-FF		-			
Mutual Authentication Action					1				0	00-7F	-		Depends on action			
Selective Mutual Authentication Action					1				1	00-7F	00-FF		Depends on action			

Table 24-30. Addressing of Transponder Actions

Action	CMD_BYTE				Extension Byte		Selection Address (8 bits)	Challenge/ Reader Signal (bits)	Data (bits)	BCC (16 bits)	Uplink Length Payload (bits)	
	Ext. Bit (1 bit)	Bank (B) (3 bits)	CMD_FLAGS		CMD (2 bits)	Ext. Bit (1 bit)						Page/ Action (7 bits)
			Mutual (1 bit)	Selective (1 bit)								
General MSP Access	1	7	0	0	11	0	-	-/32	32/64	yes	96 (ACTN=00h) 128 (ACTN=01h)	
Selective MSP Access			0	1			00-FF		yes			
Mutual Authentication MSP Access			1	0			-		yes			
Selective Mutual Authentication MSP Access			1	1			00-FF		yes			
General Program (Hash) Key			0	0			-		128	yes	96	
Selective Program (Hash) Key			0	1			00-FF		yes			
Mutual Authentication Program (Hash) Key			1	0			-		yes			
Selective Mutual Authentication Program (Hash) Key			1	1			00-FF		yes			
General Authentication			0	0			-		32/-64/ -96/-	-	-	96 (32-bit challenge) 128 (64/96-bit challenge)
Selective Authentication			0	1			00-FF		-	-		
Mutual Authentication			1	0			-		32/32 64/32 96/32	-	-	96
Selective Mutual Authentication			1	1			00-FF		-	-		
General Battery Charge			0	0			-		8	yes	96	
Selective Battery Charge			0	1			00-FF		yes			
Mutual Authentication Battery Charge			1	0			-		yes			
Selective Mutual Authentication Battery Charge			1	1			00-FF		yes			
General Antenna Trimming	0	0	-	32	yes	96 8 (SPI)						
Selective Antenna Trimming	0	1	00-FF	yes								
Mutual Authentication Antenna Trimming	1	0	-	yes								
Selective Mutual Authentication Antenna Trimming	1	1	00-FF	yes								

24.5.3.4 Write Frame Block Check Character

During Write phase a Write Frame Block Check Character (BCC) must be generated and sent by the reader using Cyclic Redundancy Check (CRC) CCITT generator polynomial:

$$P(X) = X^{16} + X^{12} + X^5 + 1 \quad (37)$$

The start value for CRC-Generator (see [Figure 24-16](#)) is 3791h. Generation is started with first transmitted byte (write address), LSB first. The 16-bit write frame BCC is transmitted as last two bytes (LS byte first, LSB first).

NOTE: Not all write telegrams include a Write Frame BCC.

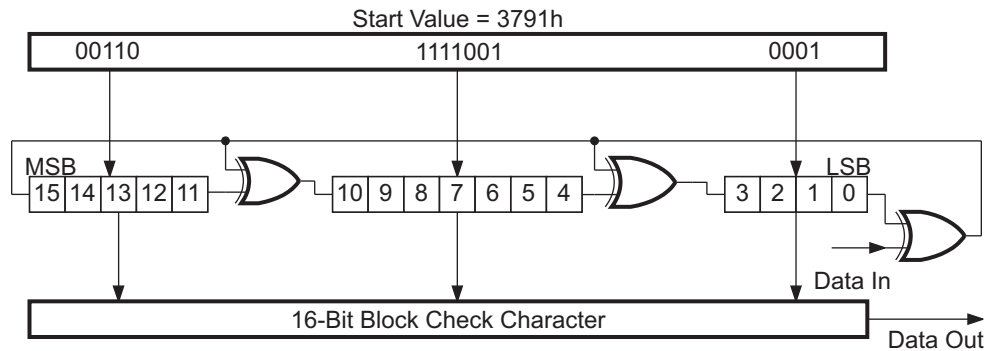


Figure 24-16. Schematic of Frame Block Check Generation

Figure 24-17 shows a flowchart of a frame BCC generation routine.

The transponder implements the same CRC generator. All received bits including the write frame BCC are shifted through the generator, which has also been initialized to start value 3791h. The resulting BCC must be zero after execution.

During read phase, the transponder generates a read frame BCC, starting after start byte and using also start value 3791h. The reader must initialize its CRC generator after receipt of start byte with the start value 3791h and generate a BCC over all further received bits including the read frame BCC. The outcome must be zero.

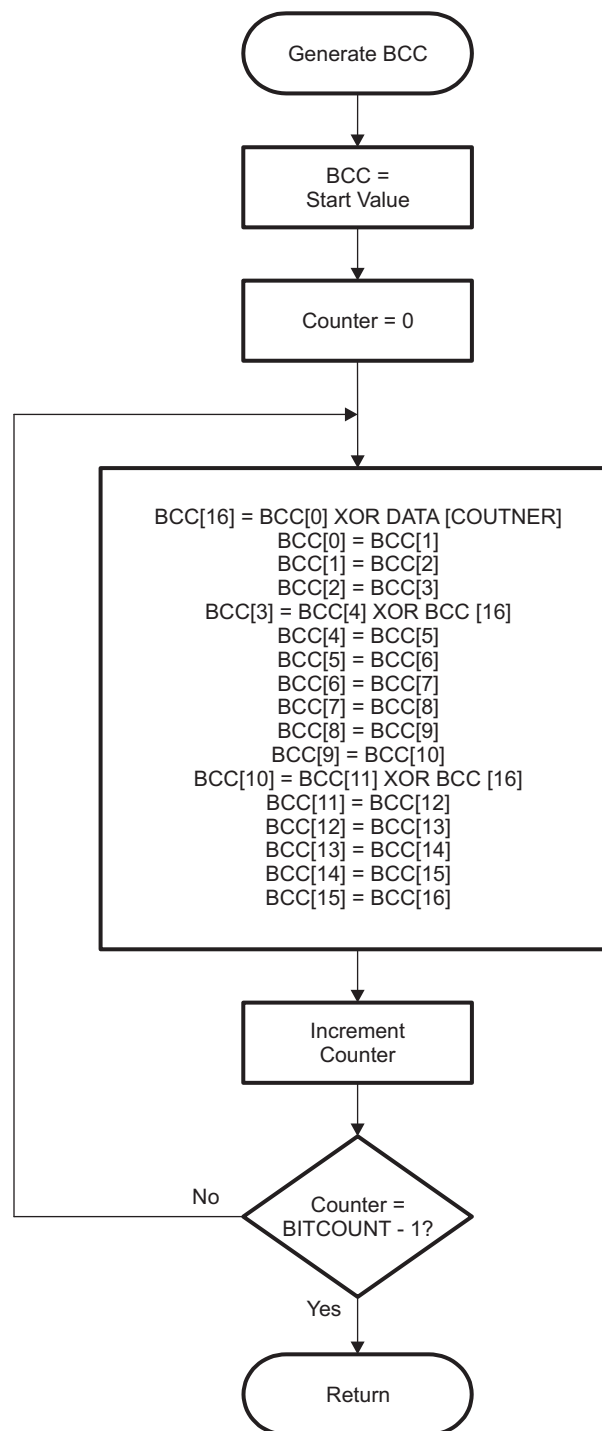


Figure 24-17. Flow Chart of Frame BCC Generation

24.5.3.5 End Of Frame (EOF)

The write phase is terminated if the EOF condition is detected ($\text{Count} > c_{\text{OVLdet}}$). Depending on the command, either an action phase follows or an uplink starts. The transponder responds or executes an action if a valid write command is received, the number of received bits is equal to the number of expected bits, and the cyclic redundancy check passes (if it exists). The uplink (read) starts after t_{EOF} after action with positive transition of EOB.

24.5.4 LF Transponder Access (TAC) Command Set Parts

24.5.4.1 Transponder Memory Access (TMA) Command Set Parts

The following Transponder Memory Access (TMA) Command Set Part (CSP) tables define the possible page accesses, depending on configuration (see [Table 24-32](#) through [Table 24-35](#)).

Table 24-31. Symbols Used in [Table 24-32](#) Through [Table 24-39](#)

Symbol	Description
1	Page content can be obtained via selected command
1(np)	Page content can be obtained via selected command if the corresponding page mutual access bit is NOT set
s	Only status can be obtained via selected command
s(np)	Only status can be obtained via selected command if the corresponding page mutual access bit is NOT set
A1	AES Key 1
A2	AES Key 2
R1	RKE Key
TR	Transport Key

Table 24-32. Transponder Memory Access Command Set Part 1

PAGE			CSP1	TRANSPONDER MEMORY ACCESS COMMAND																		
Number dec	Number hex	Number binary	Description	Selective Address Memory	Bank Mutual Auth. Only	Selective Mutual Action	Selective Mutual Lock	Selective Mutual Program	Selective Mutual Read	Mutual Action	Mutual Authent. Lock	Mutual Authent. Program	Mutual Authent. Read	Selective Action	Selective Lock	Selective Program	Selective Read	General Action	General Lock	General Program	General Read	Key Used
			MEMORY BANK 7			F	E	D	C	B	A	9	8	7	6	5	4	3	2	1	0	
0	00	0000000	TI Data LS-Byte (locked)	<>00	0		1	1	1		1	1	1		1(np)	1(np)	1(np)		1(np)	1(np)	1(np)	A1
1	01	0000001	TI Data MS-Byte (locked)	<>00	0		1	1	1		1	1	1		1(np)	1(np)	1(np)		1(np)	1(np)	1(np)	A1
2	02	0000010	Serial #/ Man.Code (locked)	<>00	0		1	1	1		1	1	1		1(np)	1(np)	1(np)		1(np)	1(np)	1(np)	A1
3	03	0000011	TI Data (locked)	<>00	0		1	1	1		1	1	1		1(np)	1(np)	1(np)		1(np)	1(np)	1(np)	A1
4	04	0000100	Sel. Addr./ Key #/ User Data	<>00	0		1	1	1		1	1	1		1(np)	1(np)	1(np)		1(np)	1(np)	1(np)	A1
5	05	0000101	Customer Configuration	<>00	0		1	1	1		1	1	1		1(np)	1(np)	1(np)		1(np)	1(np)	1(np)	A1
6	06	0000110	Vehicle ID	<>00	0		1	1	1		1	1	1		1(np)	1(np)	1(np)		1(np)	1(np)	1(np)	A1
7	07	0000111	RAID Configuration 1	<>00	0		1	1	1		1	1	1		1(np)	1(np)	1(np)		1(np)	1(np)	1(np)	A1
8	08	0001000	Counter 4 / User Data	<>00	0		1	1	1		1	1	1		1(np)	1(np)	1(np)		1(np)	1(np)	1(np)	A1
9	09	0001001	RAID Configuration 2	<>00	0		1	1	1		1	1	1		1(np)	1(np)	1(np)		1(np)	1(np)	1(np)	A1
10	0A	0001010	Counter 3 / User Data	<>00	0		1	1	1		1	1	1		1(np)	1(np)	1(np)		1(np)	1(np)	1(np)	A1
11	0B	0001011	RAID Configuration 3	<>00	0		1	1	1		1	1	1		1(np)	1(np)	1(np)		1(np)	1(np)	1(np)	A1
12	0C	0001100	Counter 2 / User Data	<>00	0		1	1	1		1	1	1		1(np)	1(np)	1(np)		1(np)	1(np)	1(np)	A1
13	0D	0001101	RAID Configuration 4	<>00	0		1	1	1		1	1	1		1(np)	1(np)	1(np)		1(np)	1(np)	1(np)	A1
14	0E	0001110	Counter 1 / User Data	<>00	0		1	1	1		1	1	1		1(np)	1(np)	1(np)		1(np)	1(np)	1(np)	A1
15	0F	0001111	RAID Configuration 5	<>00	0		1	1	1		1	1	1		1(np)	1(np)	1(np)		1(np)	1(np)	1(np)	A1
16	10	0010000	AES Key 1 [31:0]	<>00	0		s	s	s		s	s	s		s(np)	s(np)	s(np)		s(np)	s(np)	s(np)	A1
17	11	0010001	AES Key 1 [63:32]	<>00	0		s	s	s		s	s	s		s(np)	s(np)	s(np)		s(np)	s(np)	s(np)	A1
18	12	0010010	AES Key 1 [95:64]	<>00	0		s	s	s		s	s	s		s(np)	s(np)	s(np)		s(np)	s(np)	s(np)	A1
19	13	0010011	AES Key 1 [127:96]	<>00	0		s	s	s		s	s	s		s(np)	s(np)	s(np)		s(np)	s(np)	s(np)	A1
20	14	0010100	AES Key 2 [31:0]	<>00	0		s	s	s		s	s	s		s(np)	s(np)	s(np)		s(np)	s(np)	s(np)	A1
21	15	0010101	AES Key 2 [63:32]	<>00	0		s	s	s		s	s	s		s(np)	s(np)	s(np)		s(np)	s(np)	s(np)	A1
22	16	0010110	AES Key 2 [95:64]	<>00	0		s	s	s		s	s	s		s(np)	s(np)	s(np)		s(np)	s(np)	s(np)	A1
23	17	0010111	AES Key 2 [127:96]	<>00	0		s	s	s		s	s	s		s(np)	s(np)	s(np)		s(np)	s(np)	s(np)	A1
24	18	0011000	RKE Key [31:0]	<>00	0		s	s	s		s	s	s		s(np)	s(np)	s(np)		s(np)	s(np)	s(np)	A1
25	19	0011001	RKE Key [63:32]	<>00	0		s	s	s		s	s	s		s(np)	s(np)	s(np)		s(np)	s(np)	s(np)	A1
26	1A	0011010	RKE Key [95:64]	<>00	0		s	s	s		s	s	s		s(np)	s(np)	s(np)		s(np)	s(np)	s(np)	A1
27	1B	0011011	RKE Key [127:96]	<>00	0		s	s	s		s	s	s		s(np)	s(np)	s(np)		s(np)	s(np)	s(np)	A1
28	1C	0011100	Transport Key [31:0]	<>00	0		s	s	s		s	s	s		s(np)	s(np)	s(np)		s(np)	s(np)	s(np)	A1
29	1D	0011101	Transport Key [63:32]	<>00	0		s	s	s		s	s	s		s(np)	s(np)	s(np)		s(np)	s(np)	s(np)	A1
30	1E	0011110	Transport Key [95:64]	<>00	0		s	s	s		s	s	s		s(np)	s(np)	s(np)		s(np)	s(np)	s(np)	A1
31	1F	0011111	Transport Key [127:96]	<>00	0		s	s	s		s	s	s		s(np)	s(np)	s(np)		s(np)	s(np)	s(np)	A1
MEMORY BANK 0..2																						
0	00	0000000	User Data	<>00	0		1	1	1		1	1	1		1(np)	1(np)	1(np)		1(np)	1(np)	1(np)	A1
...
63	3F	0111111	User Data	<>00	0		1	1	1		1	1	1		1(np)	1(np)	1(np)		1(np)	1(np)	1(np)	A1
MEMORY BANK 3																						
0	00	0000000	User Data	<>00	0		1	1	1		1	1	1		1(np)	1(np)	1(np)		1(np)	1(np)	1(np)	A1
...
29	1D	0011101	User Data	<>00	0		1	1	1		1	1	1		1(np)	1(np)	1(np)		1(np)	1(np)	1(np)	A1
30	1E	0011110	TI Data (locked)	<>00	0		1	1	1		1	1	1		1(np)	1(np)	1(np)		1(np)	1(np)	1(np)	A1
31	1F	0011111	TI Data (locked)	<>00	0		1	1	1		1	1	1		1(np)	1(np)	1(np)		1(np)	1(np)	1(np)	A1

1 == response with page content & status of addressed page
s == response with content of status page (page 2) & status of addressed page
1(np) == response with page content & status of addressed page only if page mutual flag NOT set
s(np) == response with content of status page (page 2) & status of addressed page only if page mutual flag NOT set

Table 24-33. Transponder Memory Access Command Set Part 2

PAGE			CSP2	TRANSPONDER MEMORY ACCESS COMMAND													Key Used					
Number dec	Number hex	Number binary	Description	Selective Address Memory	Bank Mutual Auth. Only	Selective Mutual Action	Selective Mutual Lock	Selective Mutual Program	Selective Mutual Read	Mutual Action	Mutual Authent. Lock	Mutual Authent. Program	Mutual Authent. Read	Selective Action	Selective Lock	Selective Program	Selective Read	General Action	General Lock	General Program	General Read	Key Used
			MEMORY BANK 7			F	E	D	C	B	A	9	8	7	6	5	4	3	2	1	0	
0	00	0000000	TI Data LS-Byte (locked)	=00	0		1	1	1						1(np)	1(np)	1(np)					A1
1	01	0000001	TI Data MS-Byte (locked)	=00	0		1	1	1						1(np)	1(np)	1(np)					A1
2	02	0000010	Serial #/ Man.Code (locked)	=00	0		1	1	1						1(np)	1(np)	1(np)					A1
3	03	0000011	TI Data (locked)	=00	0		1	1	1						1(np)	1(np)	1(np)					A1
4	04	0000100	Sel. Addr./ Key #/ User Data	=00	0		1	1	1						1(np)	1(np)	1(np)					A1
5	05	0000101	Customer Configuration	=00	0		1	1	1						1(np)	1(np)	1(np)					A1
6	06	0000110	Vehicle ID	=00	0		1	1	1						1(np)	1(np)	1(np)					A1
7	07	0000111	RAID Configuration 1	=00	0		1	1	1						1(np)	1(np)	1(np)					A1
8	08	0001000	Counter 4 / User Data	=00	0		1	1	1						1(np)	1(np)	1(np)					A1
9	09	0001001	RAID Configuration 2	=00	0		1	1	1						1(np)	1(np)	1(np)					A1
10	0A	0001010	Counter 3 / User Data	=00	0		1	1	1						1(np)	1(np)	1(np)					A1
11	0B	0001011	RAID Configuration 3	=00	0		1	1	1						1(np)	1(np)	1(np)					A1
12	0C	0001100	Counter 2 / User Data	=00	0		1	1	1						1(np)	1(np)	1(np)					A1
13	0D	0001101	RAID Configuration 4	=00	0		1	1	1						1(np)	1(np)	1(np)					A1
14	0E	0001110	Counter 1 / User Data	=00	0		1	1	1						1(np)	1(np)	1(np)					A1
15	0F	0001111	RAID Configuration 5	=00	0		1	1	1						1(np)	1(np)	1(np)					A1
16	10	0010000	AES Key 1 [31:0]	=00	0		s	s	s						s(np)	s(np)	s(np)					A1
17	11	0010001	AES Key 1 [63:32]	=00	0		s	s	s						s(np)	s(np)	s(np)					A1
18	12	0010010	AES Key 1 [95:64]	=00	0		s	s	s						s(np)	s(np)	s(np)					A1
19	13	0010011	AES Key 1 [127:96]	=00	0		s	s	s						s(np)	s(np)	s(np)					A1
20	14	0010100	AES Key 2 [31:0]	=00	0		s	s	s						s(np)	s(np)	s(np)					A1
21	15	0010101	AES Key 2 [63:32]	=00	0		s	s	s						s(np)	s(np)	s(np)					A1
22	16	0010110	AES Key 2 [95:64]	=00	0		s	s	s						s(np)	s(np)	s(np)					A1
23	17	0010111	AES Key 2 [127:96]	=00	0		s	s	s						s(np)	s(np)	s(np)					A1
24	18	0011000	RKE Key [31:0]	=00	0		s	s	s						s(np)	s(np)	s(np)					A1
25	19	0011001	RKE Key [63:32]	=00	0		s	s	s						s(np)	s(np)	s(np)					A1
26	1A	0011010	RKE Key [95:64]	=00	0		s	s	s						s(np)	s(np)	s(np)					A1
27	1B	0011011	RKE Key [127:96]	=00	0		s	s	s						s(np)	s(np)	s(np)					A1
28	1C	0011100	Transport Key [31:0]	=00	0		s	s	s						s(np)	s(np)	s(np)					A1
29	1D	0011101	Transport Key [63:32]	=00	0		s	s	s						s(np)	s(np)	s(np)					A1
30	1E	0011110	Transport Key [95:64]	=00	0		s	s	s						s(np)	s(np)	s(np)					A1
31	1F	0011111	Transport Key [127:96]	=00	0		s	s	s						s(np)	s(np)	s(np)					A1
MEMORY BANK 0..2																						
0	00	0000000	User Data	=00	0		1	1	1						1(np)	1(np)	1(np)					A1
...
63	3F	0111111	User Data	=00	0		1	1	1						1(np)	1(np)	1(np)					A1
MEMORY BANK 3																						
0	00	0000000	User Data	=00	0		1	1	1						1(np)	1(np)	1(np)					A1
...
29	1D	0011101	User Data	=00	0		1	1	1						1(np)	1(np)	1(np)					A1
30	1E	0011110	TI Data (locked)	=00	0		1	1	1						1(np)	1(np)	1(np)					A1
31	1F	0011111	TI data (locked)	=00	0		1	1	1						1(np)	1(np)	1(np)					A1

1 == response with page content & status of addressed page
 s == response with content of status page (page 2) & status of addressed page
 1(np) == response with page content & status of addressed page only if page mutual flag NOT set
 s(np) == response with content of status page (page 2) & status of addressed page only if page mutual flag NOT set

Table 24-34. Transponder Memory Access Command Set Part 3

PAGE			CSP3	TRANSPONDER MEMORY ACCESS COMMAND																Key Used			
Number dec	Number hex	Number binary	Description	Selective Address Memory	Bank Mutual Auth. Only	Selective Mutual Action	Selective Mutual Lock	Selective Mutual Program	Selective Mutual Read	Mutual Action	Mutual Authent. Lock	Mutual Authent. Program	Mutual Authent. Read	Selective Action	Selective Lock	Selective Program	Selective Read	General Action	General Lock		General Program	General Read	
			MEMORY BANK 7			F	E	D	C	B	A	9	8	7	6	5	4	3	2	1	0		
0	00	0000000	TI Data LS-Byte (locked)	<>00	1		1	1	1		1	1	1				1(np)					1(np)	A1
1	01	0000001	TI Data MS-Byte (locked)	<>00	1		1	1	1		1	1	1				1(np)					1(np)	A1
2	02	0000010	Serial #/ Man.Code (locked)	<>00	1		1	1	1		1	1	1				1(np)					1(np)	A1
3	03	0000011	TI Data (locked)	<>00	1		1	1	1		1	1	1				1(np)					1(np)	A1
4	04	0000100	Sel. Addr./ Key #/ User Data	<>00	1		1	1	1		1	1	1				1(np)					1(np)	A1
5	05	0000101	Customer Configuration	<>00	1		1	1	1		1	1	1				1(np)					1(np)	A1
6	06	0000110	Vehicle ID	<>00	1		1	1	1		1	1	1				1(np)					1(np)	A1
7	07	0000111	RAID Configuration 1	<>00	1		1	1	1		1	1	1				1(np)					1(np)	A1
8	08	0001000	Counter 4 / User Data	<>00	1		1	1	1		1	1	1				1(np)					1(np)	A1
9	09	0001001	RAID Configuration 2	<>00	1		1	1	1		1	1	1				1(np)					1(np)	A1
10	0A	0001010	Counter 3 / User Data	<>00	1		1	1	1		1	1	1				1(np)					1(np)	A1
11	0B	0001011	RAID Configuration 3	<>00	1		1	1	1		1	1	1				1(np)					1(np)	A1
12	0C	0001100	Counter 2 / User Data	<>00	1		1	1	1		1	1	1				1(np)					1(np)	A1
13	0D	0001101	RAID Configuration 4	<>00	1		1	1	1		1	1	1				1(np)					1(np)	A1
14	0E	0001110	Counter 1 / User Data	<>00	1		1	1	1		1	1	1				1(np)					1(np)	A1
15	0F	0001111	RAID Configuration 5	<>00	1		1	1	1		1	1	1				1(np)					1(np)	A1
16	10	0010000	AES Key 1 [31:0]	<>00	1		s	s	s		s	s	s				s(np)					s(np)	A1
17	11	0010001	AES Key 1 [63:32]	<>00	1		s	s	s		s	s	s				s(np)					s(np)	A1
18	12	0010010	AES Key 1 [95:64]	<>00	1		s	s	s		s	s	s				s(np)					s(np)	A1
19	13	0010011	AES Key 1 [127:96]	<>00	1		s	s	s		s	s	s				s(np)					s(np)	A1
20	14	0010100	AES Key 2 [31:0]	<>00	1		s	s	s		s	s	s				s(np)					s(np)	A1
21	15	0010101	AES Key 2 [63:32]	<>00	1		s	s	s		s	s	s				s(np)					s(np)	A1
22	16	0010110	AES Key 2 [95:64]	<>00	1		s	s	s		s	s	s				s(np)					s(np)	A1
23	17	0010111	AES Key 2 [127:96]	<>00	1		s	s	s		s	s	s				s(np)					s(np)	A1
24	18	0011000	RKE Key [31:0]	<>00	1		s	s	s		s	s	s				s(np)					s(np)	A1
25	19	0011001	RKE Key [63:32]	<>00	1		s	s	s		s	s	s				s(np)					s(np)	A1
26	1A	0011010	RKE Key [95:64]	<>00	1		s	s	s		s	s	s				s(np)					s(np)	A1
27	1B	0011011	RKE Key [127:96]	<>00	1		s	s	s		s	s	s				s(np)					s(np)	A1
28	1C	0011100	Transport Key [31:0]	<>00	1		s	s	s		s	s	s				s(np)					s(np)	A1
29	1D	0011101	Transport Key [63:32]	<>00	1		s	s	s		s	s	s				s(np)					s(np)	A1
30	1E	0011110	Transport Key [95:64]	<>00	1		s	s	s		s	s	s				s(np)					s(np)	A1
31	1F	0011111	Transport Key [127:96]	<>00	1		s	s	s		s	s	s				s(np)					s(np)	A1
MEMORY BANK 0..2																							
0	00	0000000	User Data	<>00	1		1	1	1		1	1	1				1(np)					1(np)	A1
...
63	3F	0111111	User Data	<>00	1		1	1	1		1	1	1				1(np)					1(np)	A1
MEMORY BANK 3																							
0	00	0000000	User Data	<>00	1		1	1	1		1	1	1				1(np)					1(np)	A1
...
29	1D	0011101	User Data	<>00	1		1	1	1		1	1	1				1(np)					1(np)	A1
30	1E	0011110	TI Data (locked)	<>00	1		1	1	1		1	1	1				1(np)					1(np)	A1
31	1F	0011111	TI Data (locked)	<>00	1		1	1	1		1	1	1				1(np)					1(np)	A1

1 == response with page content & status of addressed page
s == response with content of status page (page 2) & status of addressed page
1(np) == response with page content & status of addressed page only if page mutual flag NOT set
s(np) == response with content of status page (page 2) & status of addressed page only if page mutual flag NOT set

Table 24-35. Transponder Memory Access Command Set Part 4

PAGE			CSP4	TRANSPONDER MEMORY ACCESS COMMAND													Key Used					
Number dec	Number hex	Number binary	Description	Selective Address Memory	Bank Mutual Auth. Only	Selective Mutual Action	Selective Mutual Lock	Selective Mutual Program	Selective Mutual Read	Mutual Action	Mutual Authent. Lock	Mutual Authent. Program	Mutual Authent. Read	Selective Action	Selective Lock	Selective Program	Selective Read	General Action	General Lock	General Program	General Read	Key Used
MEMORY BANK 7					F	E	D	C	B	A	9	8	7	6	5	4	3	2	1	0		
0	00	0000000	TI Data LS-Byte (locked)	=00	1	1	1	1								1(np)						A1
1	01	0000001	TI Data MS-Byte (locked)	=00	1	1	1	1								1(np)						A1
2	02	0000010	Serial #/ Man.Code (locked)	=00	1	1	1	1								1(np)						A1
3	03	0000011	TI Data (locked)	=00	1	1	1	1								1(np)						A1
4	04	0000100	Sel. Addr./ Key #/ User Data	=00	1	1	1	1								1(np)						A1
5	05	0000101	Customer Configuration	=00	1	1	1	1								1(np)						A1
6	06	0000110	Vehicle ID	=00	1	1	1	1								1(np)						A1
7	07	0000111	RAID Configuration 1	=00	1	1	1	1								1(np)						A1
8	08	0001000	Counter 4 / User Data	=00	1	1	1	1								1(np)						A1
9	09	0001001	RAID Configuration 2	=00	1	1	1	1								1(np)						A1
10	0A	0001010	Counter 3 / User Data	=00	1	1	1	1								1(np)						A1
11	0B	0001011	RAID Configuration 3	=00	1	1	1	1								1(np)						A1
12	0C	0001100	Counter 2 / User Data	=00	1	1	1	1								1(np)						A1
13	0D	0001101	RAID Configuration 4	=00	1	1	1	1								1(np)						A1
14	0E	0001110	Counter 1 / User Data	=00	1	1	1	1								1(np)						A1
15	0F	0001111	RAID Configuration 5	=00	1	1	1	1								1(np)						A1
16	10	0010000	AES Key 1 [31:0]	=00	1	s	s	s								s(np)						A1
17	11	0010001	AES Key 1 [63:32]	=00	1	s	s	s								s(np)						A1
18	12	0010010	AES Key 1 [95:64]	=00	1	s	s	s								s(np)						A1
19	13	0010011	AES Key 1 [127:96]	=00	1	s	s	s								s(np)						A1
20	14	0010100	AES Key 2 [31:0]	=00	1	s	s	s								s(np)						A1
21	15	0010101	AES Key 2 [63:32]	=00	1	s	s	s								s(np)						A1
22	16	0010110	AES Key 2 [95:64]	=00	1	s	s	s								s(np)						A1
23	17	0010111	AES Key 2 [127:96]	=00	1	s	s	s								s(np)						A1
24	18	0011000	RKE Key [31:0]	=00	1	s	s	s								s(np)						A1
25	19	0011001	RKE Key [63:32]	=00	1	s	s	s								s(np)						A1
26	1A	0011010	RKE Key [95:64]	=00	1	s	s	s								s(np)						A1
27	1B	0011011	RKE Key [127:96]	=00	1	s	s	s								s(np)						A1
28	1C	0011100	Transport Key [31:0]	=00	1	s	s	s								s(np)						A1
29	1D	0011101	Transport Key [63:32]	=00	1	s	s	s								s(np)						A1
30	1E	0011110	Transport Key [95:64]	=00	1	s	s	s								s(np)						A1
31	1F	0011111	Transport Key [127:96]	=00	1	s	s	s								s(np)						A1
MEMORY BANK 0..2																						
0	00	0000000	User Data	=00	1	1	1	1								1(np)						A1
...
63	3F	0111111	User Data	=00	1	1	1	1								1(np)						A1
MEMORY BANK 3																						
0	00	0000000	User Data	=00	1	1	1	1								1(np)						A1
...
29	1D	0011101	User Data	=00	1	1	1	1								1(np)						A1
30	1E	0011110	TI Data (locked)	=00	1	1	1	1								1(np)						A1
31	1F	0011111	TI Data (locked)	=00	1	1	1	1								1(np)						A1

1 == response with page content & status of addressed page
 s == response with content of status page (page 2) & status of addressed page
 1(np) == response with page content & status of addressed page only if page mutual flag NOT set
 s(np) == response with content of status page (page 2) & status of addressed page only if page mutual flag NOT set

24.5.4.2 LF Transponder Action Access (TAA) Command Set Parts

The following Transponder Action Access (TAA) Command Set Part (CSP) tables define the possible action accesses, depending on configuration (see [Table 24-36](#) through [Table 24-39](#)).

Table 24-36. Transponder Action Access Command Set Part 1

ACTION			CSP1	TRANSPONDER ACTION ACCESS COMMAND																Key Used		
Number dec	Number hex	Number binary	Description	Selective Address Memory	Bank Mutual Auth. Only	Selective Mutual Action	Selective Mutual Lock	Selective Mutual Program	Selective Mutual Read	Mutual Action	Mutual Authen. Lock	Mutual Authen. Program	Mutual Authen. Read	Selective Action	Selective Lock	Selective Program	Selective Read	General Action	General Lock	General Program	General Read	Key Used
ACTION BANK 7																						
0	00	0000000	MSP Access 4 bytes	<>00	0	1				1				1				1				A1
1	01	0000001	MSP Access 8 bytes	<>00	0	1				1				1				1				A1
2	02	0000010	Antenna Trimming	<>00	0	1				1				1				1				A1
3	03	0000011	Battery Charge	<>00	0	1				1				1				1				A1
16	10	0010000	Program AES Key 1 [127:0]	<>00	0	s				s				s(np)				s(np)				A1
17	11	0010001	Program Hash AES Key 1 [127:0]	<>00	0	s				s				s(np)				s(np)				TR
20	14	0010100	Program AES Key 2 [127:0]	<>00	0	s				s				s(np)				s(np)				A2
21	15	0010101	Program Hash AES Key 2 [127:0]	<>00	0	s				s				s(np)				s(np)				TR
24	18	0011000	Program RKE Key [127:0]	<>00	0	s				s				s(np)				s(np)				R1
25	19	0011001	Program Hash RKE Key [127:0]	<>00	0	s				s				s(np)				s(np)				TR
28	1C	0011100	Program Transport Key [127:0]	<>00	0	s				s				s(np)				s(np)				TR
29	1D	0011101	Program Hash Transport Key [127:0]	<>00	0	s				s				s(np)				s(np)				TR
48	30	0110000	Authentication with AES Key 1	<>00	0	1				1				1(np)				1(np)				A1
50	32	0110010	Anticollision Authentication with AES Key 1	<>00	0	1				1				1(np)				1(np)				A1
52	34	0110100	Authentication with AES Key 2	<>00	0	1				1				1(np)				1(np)				A2
54	36	0110110	Anticollision Authentication with AES Key 2	<>00	0	1				1				1(np)				1(np)				A2
56	38	0111000	Authentication with RKE Key	<>00	0	1				1				1(np)				1(np)				R1
58	3A	0111010	Anticollision Authentication with RKE Key	<>00	0	1				1				1(np)				1(np)				R1
60	3C	0111100	Authentication with Transport Key	<>00	0	1				1				1(np)				1(np)				TR
62	3E	0111110	Anticollision Authentication with Transport Key	<>00	0	1				1				1(np)				1(np)				TR
64	40	1000000	Read Status	<>00	0	1				1				1				1				A1

1 = Response with Action response value and status

s = Response with content of status page (page 2) and status of corresponding page

1(np) = response with Action response value and status of addressed page only if page mutual flag NOT set

s(np) = response with content of status page (page 2) and status of addressed page only if page mutual flag NOT set

RAIDAES_ACT_CSP1_2.XLS

Table 24-37. Transponder Action Access Command Set Part 2

ACTION			CSP2	TRANSPONDER ACTION ACCESS COMMAND																Key Used			
Number dec	Number hex	Number binary	Description	Selective Address Memory	Bank Mutual Auth. Only	Selective Mutual Action	Selective Mutual Lock	Selective Mutual Program	Selective Mutual Read	Mutual Action	Mutual Auth. Lock	Mutual/Authent. Program	Mutual/Authent. Read	Selective Action	Selective Lock	Selective Program	Selective Read	General Action	General Lock	General Program	General Read	Key Used	
			ACTION BANK 7			F	m	D	C	B	A	s	8	7	6	5	4	3	2	1	0		
0	00	0000000	MSP Access 4 bytes	==00	0	1								1									A1
1	01	0000001	MSP Access 8 bytes	==00	0	1								1									A1
2	02	0000010	Antenna Trimming	==00	0	1								1									A1
3	03	0000011	Battery Charge	==00	0	1								1									A1
16	10	0010000	Program AES Key 1 [127:0]	==00	0	s								s(np)									A1
17	11	0010001	Program Hash AES Key 1 [127:0]	==00	0	s								s(np)									TR
20	14	0010100	Program AES Key 2 [127:0]	==00	0	s								s(np)									A2
21	15	0010101	Program Hash AES Key 2 [127:0]	==00	0	s								s(np)									TR
24	18	0011000	Program RKE Key [127:0]	==00	0	s								s(np)									R1
25	19	0011001	Program Hash RKE Key [127:0]	==00	0	s								s(np)									TR
28	1C	0011100	Program Transport Key [127:0]	==00	0	s								s(np)									TR
29	1D	0011101	Program Hash Transport Key [127:0]	==00	0	s								s(np)									TR
48	30	0110000	Authentication with AES Key 1	==00	0	1								1(np)									A1
50	32	0110010	Anticollision Authentication with AES Key 1	==00	0	1								1(np)									A1
52	34	0110100	Authentication with AES Key 2	==00	0	1								1(np)									A2
54	36	0110110	Anticollision Authentication with AES Key 2	==00	0	1								1(np)									A2
56	38	0111000	Authentication with RKE Key	==00	0	1								1(np)									R1
58	3A	0111010	Anticollision Authentication with RKE Key	==00	0	1								1(np)									R1
60	3C	0111100	Authentication with Transport Key	==00	0	1								1(np)									TR
62	3E	0111110	Anticollision Authentication with Transport Key	==00	0	1								1(np)									TR
64	40	1000000	Read Status	==00	0	1								1									A1

1 = Response with Action response value and status

s = Response with content of status page (page 2) and status of corresponding page

1(np) = Response with Action response value and status of addressed page only if page mutual flag NOT set

s(np) = Response with content of status page (page 2) and status of addressed page only if page mutual flag NOT set

RAIDAES_ACT_CSP2_2.XLS

Table 24-38. Transponder Action Access Command Set Part 3

ACTION			CSP3	TRANSPONDER ACTION ACCESS COMMAND																Key Used		
Number dec	Number hex	Number binary	Description	Selective Address Memory	Bank Mutual Auth. Only	Selective Mutual Action	Selective Mutual Lock	Selective Mutual Program	Selective Mutual Read	Mutual Action	Mutual Auth. Lock	Mutual/Authent. Program	Mutual/Authent. Read	Selective Action	Selective Lock	Selective Program	Selective Read	General Action	General Lock	General Program	General Read	Key Used
ACTION BANK 7						F	m	D	C	B	A	s	8	7	6	5	4	3	2	1	0	
0	00	0000000	MSP Access 4 bytes	<>00	1	1				1												A1
1	01	0000001	MSP Access 8 bytes	<>00	1	1				1												A1
2	02	0000010	Antenna Trimming	<>00	1	1				1												A1
3	03	0000011	Battery Charge	<>00	1	1				1												A1
16	10	0010000	Program AES Key 1 [127:0]	<>00	1	s				s				s(np)				s(np)				A1
17	11	0010001	Program Hash AES Key 1 [127:0]	<>00	1	s				s				s(np)				s(np)				TR
20	14	0010100	Program AES Key 2 [127:0]	<>00	1	s				s				s(np)				s(np)				A2
21	15	0010101	Program Hash AES Key 2 [127:0]	<>00	1	s				s				s(np)				s(np)				TR
24	18	0011000	Program RKE Key [127:0]	<>00	1	s				s				s(np)				s(np)				R1
25	19	0011001	Program Hash RKE Key [127:0]	<>00	1	s				s				s(np)				s(np)				TR
28	1C	0011100	Program Transport Key [127:0]	<>00	1	s				s				s(np)				s(np)				TR
29	1D	0011101	Program Hash Transport Key [127:0]	<>00	1	s				s				s(np)				s(np)				TR
48	30	0110000	Authentication with AES Key 1	<>00	1	1				1				1(np)				1(np)				A1
50	32	0110010	Anticollision Authentication with AES Key 1	<>00	1	1				1				1(np)				1(np)				A1
52	34	0110100	Authentication with AES Key 2	<>00	1	1				1				1(np)				1(np)				A2
54	36	0110110	Anticollision Authentication with AES Key 2	<>00	1	1				1				1(np)				1(np)				A2
56	38	0111000	Authentication with RKE Key	<>00	1	1				1				1(np)				1(np)				R1
58	3A	0111010	Anticollision Authentication with RKE Key	<>00	1	1				1				1(np)				1(np)				R1
60	3C	0111100	Authentication with Transport Key	<>00	1	1				1				1(np)				1(np)				TR
62	3E	0111110	Anticollision Authentication with Transport Key	<>00	1	1				1				1(np)				1(np)				TR
64	40	1000000	Read Status	<>00	1	1				1												A1

1 = Response with Action response value and status
 s = Response with content of status page (page 2) and status of corresponding page
 1(np) = Response with Action response value and status of addressed page only if page mutual flag NOT set
 s(np) = Response with content of status page (page 2) and status of addressed page only if page mutual flag NOT set

RAIDAES_ACT_CSP3_2.XLS

Table 24-39. Transponder Action Access Command Set Part 4

ACTION			CSP4		TRANSPONDER ACTION ACCESS COMMANDS																Key Used		
Number dec	Number hex	Number binary	Description	Selective Address Memory	Bank Mutual Auth. Only	Selective Mutual Action	Selective Mutual Lock	Selective Mutual Program	Selective Mutual Read	Mutual Action	Mutual Auth. Lock	Mutual/Authent. Program	Mutual/Authent. Read	Selective Action	Selective Lock	Selective Program	Selective Read	General Action	General Lock	General Program		General Read	
			ACTION BANK 7			F	m	D	C	B	A	s	ø	7	6	5	4	3	2	1	0		
0	00	0000000	MSP Access 4 bytes	==00	1	1																	A1
1	01	0000001	MSP Access 8 bytes	==00	1	1																	A1
2	02	0000010	Antenna Trimming	==00	1	1																	A1
3	03	0000011	Battery Charge	==00	1	1																	A1
16	10	0010000	Program AES Key 1 [127:0]	==00	1	s								s(np)									A1
17	11	0010001	Program Hash AES Key 1 [127:0]	==00	1	s								s(np)									TR
20	14	0010100	Program AES Key 2 [127:0]	==00	1	s								s(np)									A2
21	15	0010101	Program Hash AES Key 2 [127:0]	==00	1	s								s(np)									TR
24	18	0011000	Program RKE Key [127:0]	==00	1	s								s(np)									R1
25	19	0011001	Program Hash RKE Key [127:0]	==00	1	s								s(np)									TR
28	1C	0011100	Program Transport Key [127:0]	==00	1	s								s(np)									TR
29	1D	0011101	Program Hash Transport Key [127:0]	==00	1	s								s(np)									TR
48	30	0110000	Authentication with AES Key 1	==00	1	1								1(np)									A1
50	32	0110010	Anticollision Authentication with AES Key 1	==00	1	1								1(np)									A1
52	34	0110100	Authentication with AES Key 2	==00	1	1								1(np)									A2
54	36	0110110	Anticollision Authentication with AES Key 2	==00	1	1								1(np)									A2
56	38	0111000	Authentication with RKE Key	==00	1	1								1(np)									R1
58	3A	0111010	Anticollision Authentication with RKE Key	==00	1	1								1(np)									R1
60	3C	0111100	Authentication with Transport Key	==00	1	1								1(np)									TR
62	3E	0111110	Anticollision Authentication with Transport Key	==00	1	1								1(np)									TR
64	40	1000000	Read Status	==00	1	1																	A1

1 = Response with Action response value and status

s = Response with content of status page (page 2) and status of corresponding page

1(np) = Response with Action response value and status of addressed page only if page mutual flag NOT set

s(np) = Response with content of status page (page 2) and status of addressed page only if page mutual flag NOT set

RAIDAES_ACT_CSP4_2.XLS

24.5.5 Transponder Memory Access Downlink Telegrams

NOTE: All downlink telegram are transmitted with LSB and LS-Byte first.

24.5.5.1 General Read MEM[0-2:0-63], MEM[3:0-29], MEM[7:0-31]

Table 24-40. Address Data of General Read

Write Address				Write Address Extension		Write Data			
Ext. Bit	Bank (3 bits)	Command Flags	Command	Ext. Bit	Page (7 bits)	Selective Address	Reader Signature	Data	BCC
1	000b-010b	00b	00b	0	00h-3Fh	-	-	-	-
	011b				00h-1Dh				
	111b				00h-1Fh				

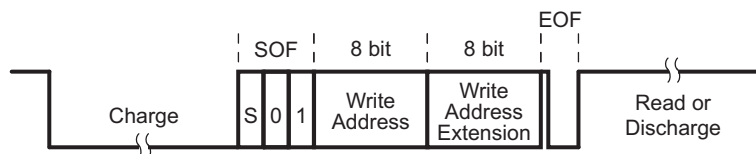


Figure 24-18. Downlink Telegram of General Read

Read of multiple pages in sequence (General Burst Read) is possible if the discharge function is deactivated (IMMO_DCHRG = 0) in customer configuration memory (see [Section 24.3.7](#)). This is achieved by sending SOF and EOF in sequence after a recharge phase (see [Figure 24-19](#)). The transponder increments the page address automatically until the last page in one bank is reached. Burst mode sequence is also terminated by receipt of a new command or by reset due to voltage drop. If a page is protected, no response is received, but the burst read continues.

NOTE: Burst Read is not available via SPI.

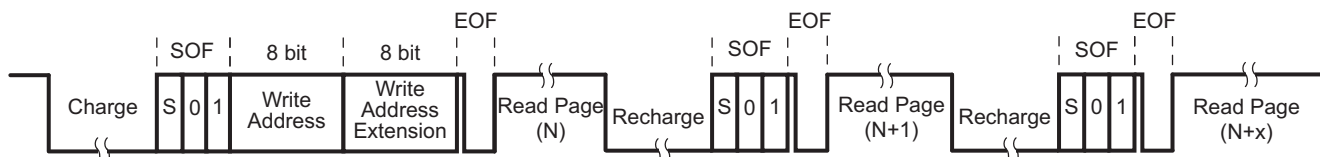


Figure 24-19. Downlink Telegram of General Burst Read

24.5.5.2 Selective Read MEM[0-2:0-63], MEM[3:0-29], MEM[7:0-31]

NOTE: Selective Read function is not available via SPI.

Table 24-41. Address Data of Selective Read

Write Address				Write Address Extension		Write Data			
Ext. Bit	Bank (3 bits)	Command Flags	Command	Ext. Bit	Page (7 bits)	Selective Address	Reader Signature (32 bits)	Data	BCC
1	000b-010b	01b	00b	0	00h-3Fh	00h-FFh	-	-	-
	011b				00h-1Dh				
	111b				00h-1Fh				

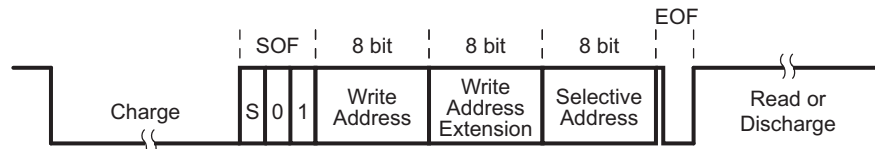


Figure 24-20. Downlink Telegram of Selective Read

Selective Burst Read (see Figure 24-21) is only possible if discharge function is deactivated (IMMO_DCHRG= 0) in customer configuration memory (see Section 24.3.7). Selective Burst Read function is not available via SPI.

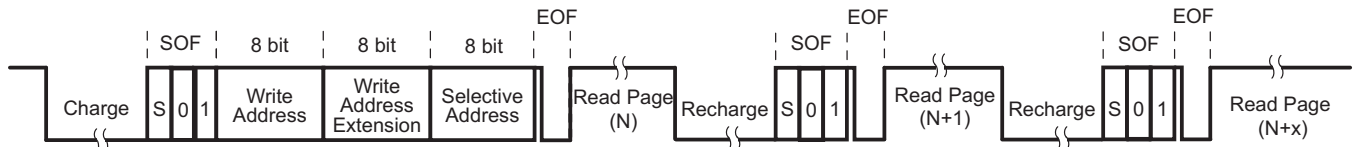


Figure 24-21. Downlink Telegram of Selective Burst Read

24.5.5.3 Mutual Authentication Read MEM[0-2:0-63], MEM[3:0-29], MEM[7:0-31]

Mutual Authentication Read function is not available via SPI. Configuration of challenge-signature length must be observed for signature estimation.

Table 24-42. Address Data of Mutual Authentication Read

Write Address				Write Address Extension		Write Data			
Ext. Bit	Bank (3 bits)	Command Flags	Command	Ext. Bit	Page (7 bits)	Selective Address	Reader Signature (32 bits)	Data	BCC
1	000b-010b	10b	00b	0	00h-3Fh	-	00000000h-FFFFFFFFh	-	-
	011b				00h-1Dh				
	111b				00h-1Fh				

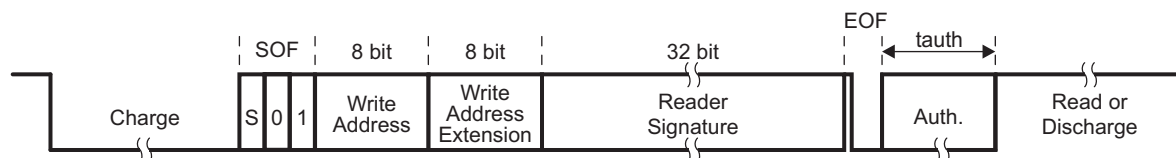


Figure 24-22. Downlink Telegram of Mutual Authentication Read

Mutual Authentication Burst Read (see Figure 24-23) is possible only if the discharge function is deactivated in customer configuration memory (see Table 24-11). Mutual Authentication Burst Read function is not available via SPI.

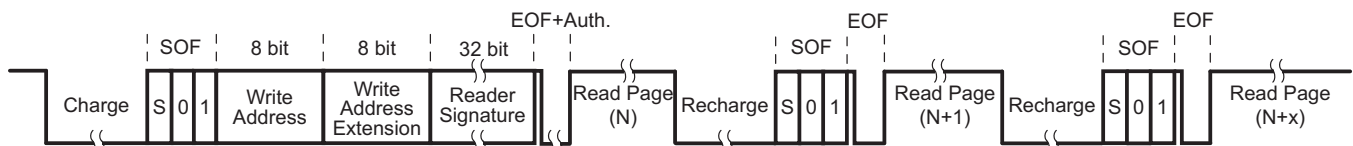


Figure 24-23. Downlink Telegram of Mutual Authentication Burst Read

24.5.5.4 Selective Mutual Authentication Read MEM[0-2:0-63], MEM[3:0-29], MEM[7:0-31]

Selective Mutual Authentication Read function is not available via SPI.

Table 24-43. Address Data of Selective Mutual Authentication Read

Write Address				Write Address Extension		Write Data			
Ext. Bit	Bank (3 bits)	Command Flags	Command	Ext. Bit	Page (7 bits)	Selective Address	Reader Signature (32 bits)	Data	BCC
1	000b-010b	11b	00b	0	00h-3Fh	00h-FFh (8 bits)	00000000h-FFFFFFFFh	-	-
	011b				00h-1Dh				
	111b				00h-1Fh				

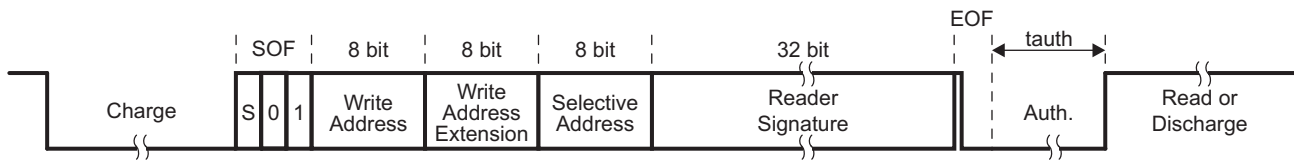


Figure 24-24. Downlink Telegram of Selective Mutual Authentication Read

Selective Mutual Authentication Burst Read (see Figure 24-25) is only possible, if discharge function is deactivated in customer configuration memory. Selective Mutual Authentication Burst Read function is not available via SPI.

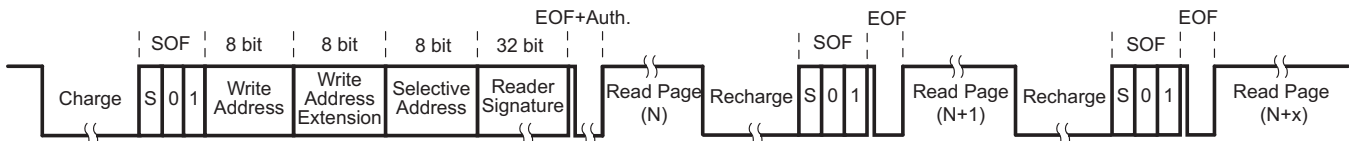


Figure 24-25. Downlink Telegram of Selective Mutual Authentication Burst Read

24.5.5.5 General Program MEM[0-2:0-63], MEM[3:0-29], MEM[7:0-31]

Table 24-44. Address Data of General Program

Write Address				Write Address Extension		Write Data			
Ext. Bit	Bank (3 bits)	Command Flags	Command	Ext. Bit	Page (7 bits)	Selective Address	Reader Signature (32 bits)	Data	BCC
1	000b-010b	00b	01b	0	00h-3Fh	-	-	64 bit	16 bit
	011b				00h-1Dh			32 bit	
	111b				00h-1Fh				

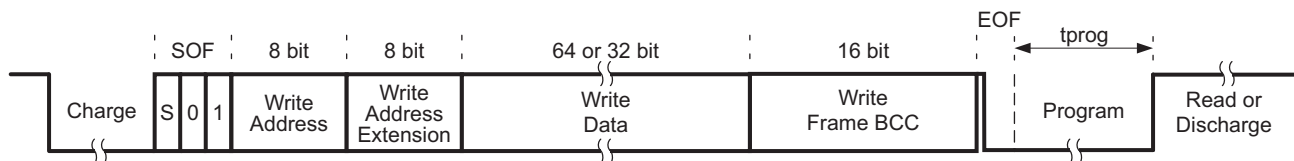


Figure 24-26. Downlink Telegram of General Program

24.5.5.6 Selective Program MEM[0-2:0-63], MEM[3:0-29], MEM[7:0-31]

This function is not available via SPI.

Table 24-45. Address Data of Selective Program

Write Address				Write Address Extension		Write Data			
Ext. Bit	Bank (3 bits)	Command Flags	Command	Ext. Bit	Page (7 bits)	Selective Address	Reader Signature (32 bits)	Data	BCC
1	000b-010b	01b	01b	0	00h-3Fh	00h-FFh	-	64 bit	16 bit
	011b				00h-1Dh				
	111b				00h-1Fh			32 bit	

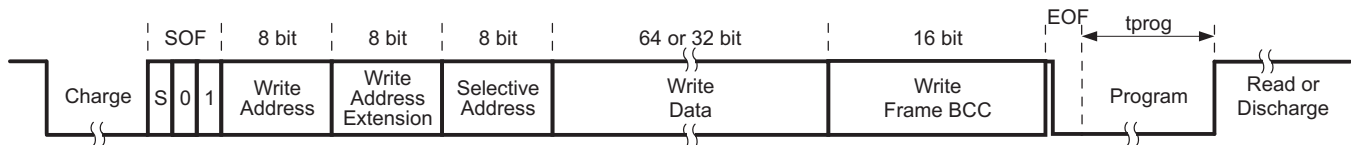


Figure 24-27. Downlink Telegram of Selective Program

24.5.5.7 Mutual Authentication Program MEM[0-2:0-63], MEM[3:0-29], MEM[7:0-31]

Mutual Authentication Program is not available via SPI. Configuration of challenge-signature length must be observed for signature estimation.

Table 24-46. Address Data of Mutual Authentication Program

Write Address				Write Address Extension		Write Data			
Ext. Bit	Bank (3 bits)	Command Flags	Command	Ext. Bit	Page (7 bits)	Selective Address	Reader Signature (32 bits)	Data	BCC
1	000b-010b	10b	01b	0	00h-3Fh	-	00000000h-FFFFFFFFh	64 bit	16 bit
	011b				00h-1Dh				
	111b				00h-1Fh			32 bit	

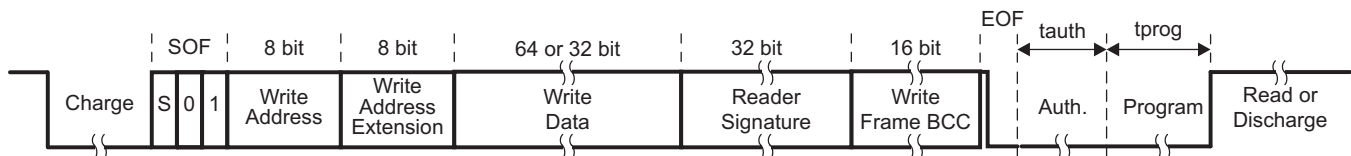


Figure 24-28. Downlink Telegram of Mutual Authentication Program

24.5.5.8 Selective Mutual Authentication Program MEM[0-2:0-63], MEM[3:0-29], MEM[7:0-31]

Selective Mutual Authentication Program is not available via SPI. Configuration of challenge-signature length must be observed for signature estimation.

Table 24-47. Address Data of Selective Mutual Authentication Program

Write Address				Write Address Extension		Write Data			
Ext. Bit	Bank (3 bits)	Command Flags	Command	Ext. Bit	Page (7 bits)	Selective Address	Reader Signature (32 bits)	Data	BCC
1	000b-010b	11b	01b	0	00h-3Fh	00h-FFh	00000000h-FFFFFFFFh	64 bit	16 bit
	011b				00h-1Dh				
	111b				00h-1Fh			32 bit	

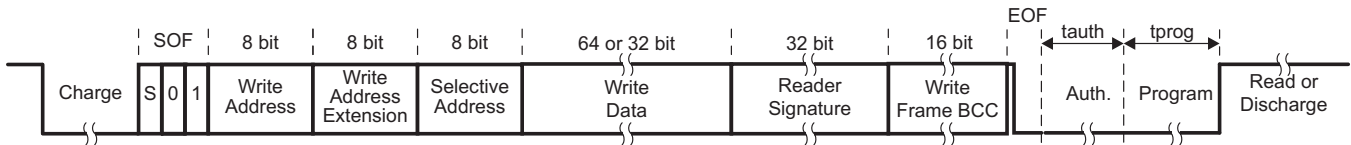


Figure 24-29. Downlink Telegram of Selective Mutual Authentication Program

24.5.5.9 General Lock MEM[0-2:0-63], MEM[3:0-29], MEM[7:0-31]

Table 24-48. Address Data of General Lock

Write Address				Write Address Extension		Write Data			
Ext. Bit	Bank (3 bits)	Command Flags	Command	Ext. Bit	Page (7 bits)	Selective Address	Reader Signature (32 bits)	Data	BCC
1	000b-010b	00b	10b	0	00h-3Fh	-	-	8 bit	16 bit
	011b				00h-1Dh				
	111b				00h-1Fh				

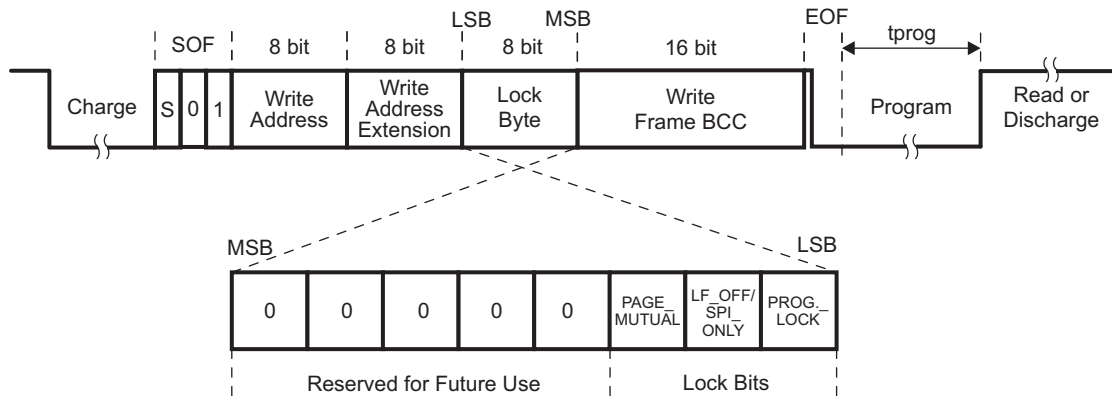


Figure 24-30. Downlink Telegram of General Lock

24.5.5.10 Selective Lock MEM[0-2:0-63], MEM[3:0-29], MEM[7:0-31]

Selective Lock is not available via SPI.

Table 24-49. Address Data of Selective Lock

Write Address				Write Address Extension		Write Data			
Ext. Bit	Bank (3 bits)	Command Flags	Command	Ext. Bit	Page (7 bits)	Selective Address	Reader Signature (32 bits)	Data	BCC
1	000b-010b	01b	10b	0	00h-3Fh	00h-FFh (8 bits)	-	8 bit	16 bit
	011b				00h-1Dh				
	111b				00h-1Fh				

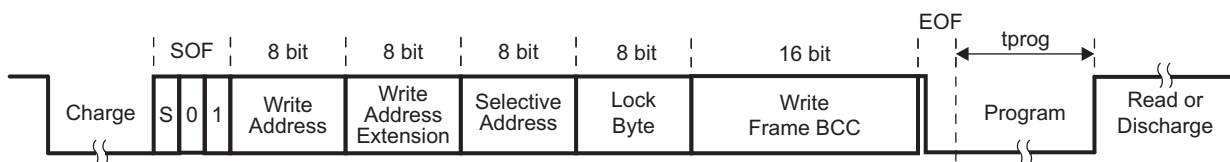


Figure 24-31. Downlink Telegram of Selective Lock

24.5.5.11 Mutual Authentication Lock MEM[0-2:0-63], MEM[3:0-29], MEM[7:0-31]

Mutual Authentication Lock is not available via SPI. Configuration of challenge-signature length must be observed for signature estimation.

Table 24-50. Address Data of Mutual Authentication Lock

Write Address				Write Address Extension		Write Data			
Ext. Bit	Bank (3 bits)	Command Flags	Command	Ext. Bit	Page (7 bits)	Selective Address	Reader Signature (32 bits)	Data	BCC
1	000b-010b	10b	10b	0	00h-3Fh	-	00000000h-FFFFFFFFh	8 bit	16 bit
	011b				00h-1Dh				
	111b				00h-1Fh				

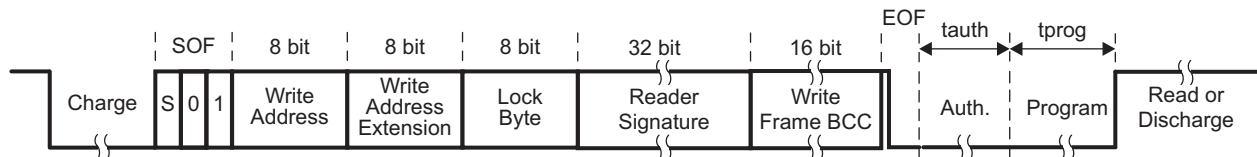


Figure 24-32. Downlink Telegram of Mutual Authentication Lock

24.5.5.12 Selective Mutual Authentication Lock MEM[0-2:0-63], MEM[3:0-29], MEM[7:0-31]

Selective Mutual Authentication Lock is not available via SPI. Configuration of challenge-signature length must be observed for signature estimation.

Table 24-51. Address Data of Selective Mutual Authentication Lock

Write Address				Write Address Extension		Write Data			
Ext. Bit	Bank (3 bits)	Command Flags	Command	Ext. Bit	Page (7 bits)	Selective Address	Reader Signature (32 bits)	Data	BCC
1	000b-010b	11b	10b	0	00h-3Fh	00h-FFh (8 bits)	00000000h-FFFFFFFFh	8 bit	16 bit
	011b				00h-1Dh				
	111b				00h-1Fh				

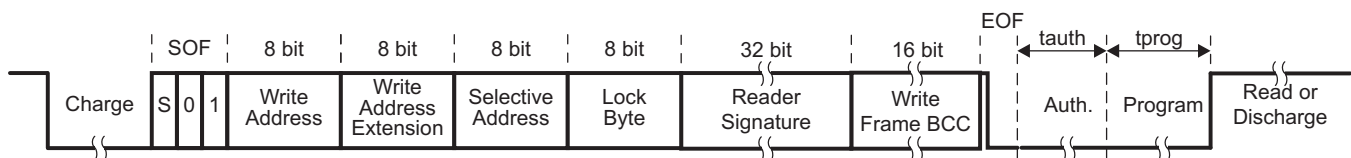


Figure 24-33. Downlink Telegram Selective Mutual Authentication Lock

24.5.6 Transponder Action Access Downlink Telegrams

24.5.6.1 General Program 128-Bit Encryption Keys

In addition to the segmented programming of the encryption keys by using direct page access on bank 7, the General Program 128-bit encryption key actions allow at once programming of the complete AES-, RKE- or TRANSPORT KEY. Depending on the device type, plain programming of the encryption key is supported through actions 10h, 14h, 18h, and 1Ch. Encrypted programming, or so called hash programming, is supported by all devices types. The programmed key is the result of an AES encryption of the transferred LF data with the preprogrammed transport key.

NOTE: The detailed flow for hash calculation is in the AES documentation, which is available on request and requires a nondisclosure agreement.

Table 24-52. Address Data of General Program 128-Bit Encryption Keys

Write Address				Write Address Extension			Write Data			
Ext. Bit	Bank (3 bits)	Command Flags	Command	Ext. Bit	Action Code (7 bits)	Action Description	Selective Address (8 bits)	Reader Signature (32 bits)	Data	BCC
1	111b	00b	11b	0	10h	General Program AES Key 1	-	-	128 bit	16 bit
					11h	General Program Hash AES Key 1				
					14h	General Program AES Key 2				
					15h	General Program Hash AES Key 2				
					18h	General Program RKE Key				
					19h	General Program Hash RKE Key				
					1Ch	General Program Transport Key				
					1Dh	General Program Hash Transport Key				

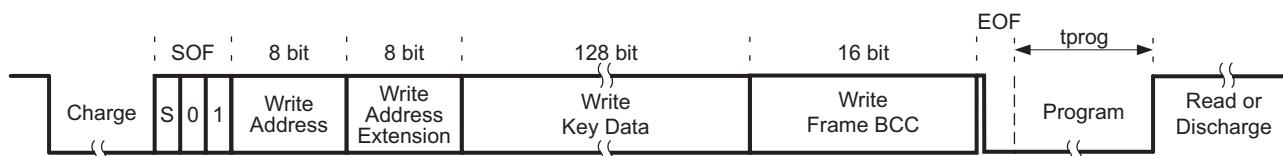


Figure 24-34. Downlink Telegram of General Program 128-Bit Encryption Keys

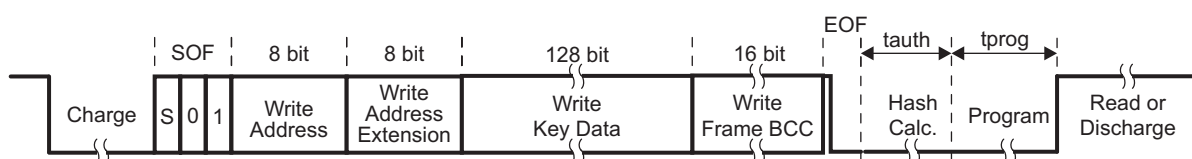


Figure 24-35. Downlink Telegram of General Program 128-Bit Encryption Keys With Hash Value

24.5.6.2 Selective Program 128-Bit Encryption Keys

Selective Program 128-bit Encryption Key is not available via SPI.

Table 24-53. Address Data of Selective Program 128-Bit Encryption Keys

Write Address				Write Address Extension			Write Data			
Ext. Bit	Bank (3 bits)	Command Flags	Command	Ext. Bit	Action Code (7 bits)	Action Description	Selective Address (8 bits)	Reader Signature (32 bits)	Data	BCC
1	111b	01b	11b	0	10h	Selective Program AES Key 1	00h-FFh	-	128 bit	16 bit
					11h	Selective Program Hash AES Key 1				
					14h	Selective Program AES Key 2				
					15h	Selective Program Hash AES Key 2				
					18h	Selective Program RKE Key				
					19h	Selective Program Hash RKE Key				
					1Ch	Selective Program Transport Key				
					1Dh	Selective Program Hash Transport Key				

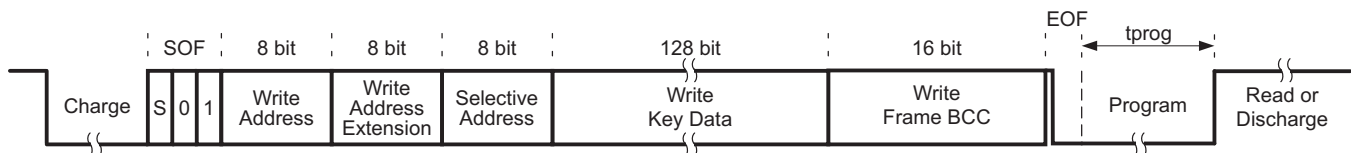


Figure 24-36. Downlink Telegram of Selective Program 128-Bit Encryption Keys

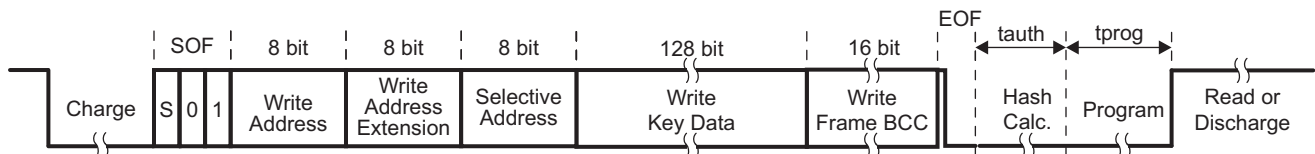


Figure 24-37. Downlink Telegram of Selective Program 128-Bit Encryption Keys With Hash Value

24.5.6.3 Mutual Authentication Program 128-Bit Encryption Keys

As input data for Reader Signature calculation the Write Address, the Write Address Extension, the Write Key Data and the related Encryption Key (see [Table 24-54](#) to [Table 24-56](#)) are used. For Mutual Authentication Actions using hash programming the Transport KEY in MEM[7:28] is used. Configuration of challenge-signature length must be observed!

As AES Key 2 can be used for non-automotive applications, such as Home Access and the Transport Key should be used in automotive applications and therefore is not public available, hash programming of the AES Key 2 is special:

The Transponder ignores if hash programming AES_KEY_2 MEM[7:20] the result of the Mutual Authentication and performs the programming. If the AES Key 2 is not locked and Mutual Authentication is activated, the AES Key 2 can be overwritten with hash programming Action. This might be useful when the car is sold and the owner wants to disable the Home Access function. If AES Key 2 is locked, the Home Access system must provide a function to disable the AES Key2 in the door reader.

NOTE: Mutual Authentication Program 128-bit Encryption Keys is not available via SPI. The details of Mutual Authentication and the hash calculation process are in the AES documentation, which is available on request and requires a nondisclosure agreement.

Table 24-54. Address Data of Mutual Authentication Program 128-Bit Encryption Keys

Write Address				Write Address Extension			Write Data			
Ext. Bit	Bank (3 bits)	Command Flags	Command	Ext. Bit	Action Code (7 bits)	Action Description	Selective Address (8 bits)	Reader Signature (32 bits)	Data	BCC
1	111b	10b	11b	0	10h	Mutual Authentication Program AES Key 1	-	00000000h-FFFFFFFFh	128 bit	16 bit
					11h	Mutual Authentication Program Hash AES Key 1				
					14h	Mutual Authentication Program AES Key 2				
					15h	Mutual Authentication Program Hash AES Key 2				
					18h	Mutual Authentication Program RKE Key				
					19h	Mutual Authentication Program Hash RKE Key				
					1Ch	Mutual Authentication Program Transport Key				
					1Dh	Mutual Authentication Program Hash Transport Key				

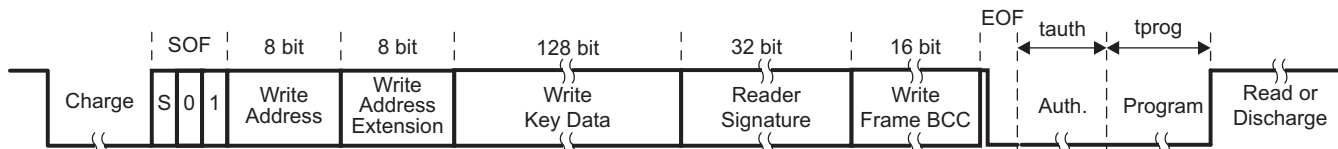


Figure 24-38. Downlink Telegram of Mutual Authentication Program 128-bit Encryption Keys

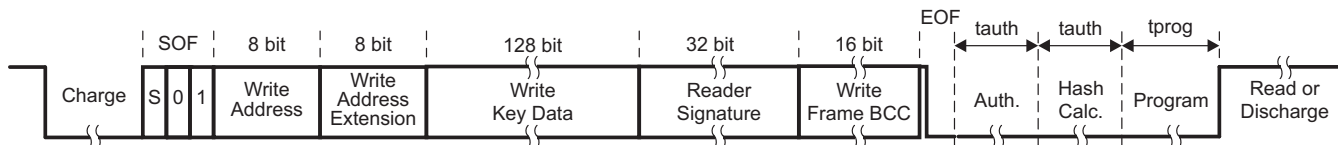


Figure 24-39. Downlink Telegram of Mutual Authentication Program 128-bit Encryption Keys With Hash Value

24.5.6.4 Selective Mutual Authentication Program 128-bit Encryption Keys

Mutual Selective Authentication Program 128-bit Encryption Keys is not available via SPI.

Table 24-55. Address Data of Selective Mutual Authentication Program 128-Bit Encryption Keys

Write Address				Write Address Extension			Write Data			
Ext. Bit	Bank (3 bits)	Command Flags	Command	Ext. Bit	Action Code (7 bits)	Action Description	Selective Address (8 bits)	Reader Signature (32 bits)	Data	BCC
1	111b	11b	11b	0	10h	Selective Mutual Authentication Program AES Key 1	00h-FFh	00000000h-FFFFFFFFh	128 bit	16 bit
					11h	Selective Mutual Authentication Program Hash AES Key 1				
					14h	Selective Mutual Authentication Program AES Key 2				
					15h	Selective Mutual Authentication Program Hash AES Key 2				
					18h	Selective Mutual Authentication Program RKE Key				
					19h	Selective Mutual Authentication Program Hash RKE Key				
					1Ch	Selective Mutual Authentication Program Transport Key				
					1Dh	Selective Mutual Authentication Program Hash Transport Key				

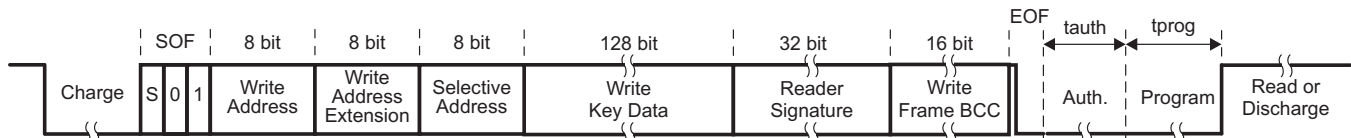


Figure 24-40. Downlink Telegram of Selective Mutual Authentication Program 128-bit Encryption Keys

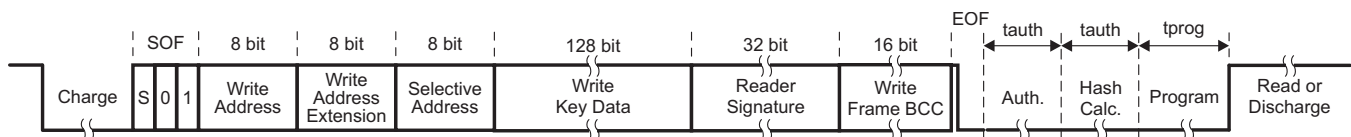


Figure 24-41. Downlink Telegram of Selective Mutual Authentication Program 128-Bit Encryption Keys With Hash Value

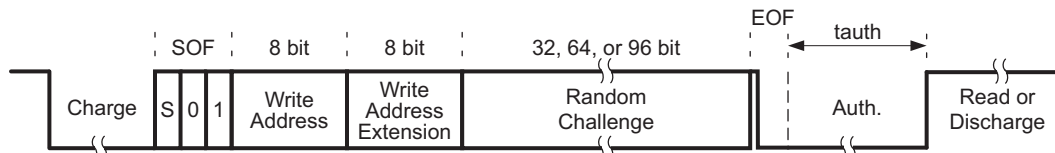
24.5.6.5 General AES Authentication

The authentication of the transponder is performed by an Advanced Encryption Standard (AES) encryption engine. Input data for authentication process are write address, write address extension and random challenge. Depending on customer configuration the challenge-signature length is different.

NOTE: Details of the authentication process are in the AES documentation, which is available on request and requires a nondisclosure agreement.

Table 24-56. Address Data of General AES Authentication

Write Address				Write Address Extension			Write Data			
Ext. Bit	Bank (3 bits)	Command Flags	Command	Ext. Bit	Action Code (7 bits)	Action Description	Selective Address (8 bits)	Reader Signature (32 bits)	Data	BCC
1	111b	00b	11b	0	30h	General Authorization Key 1	-	-	32, 64, or 96 bit	-
					34h	General Authorization Key 2				
					38h	General Authorization RKE Key				
					3Ch	General Authorization Transport Key				

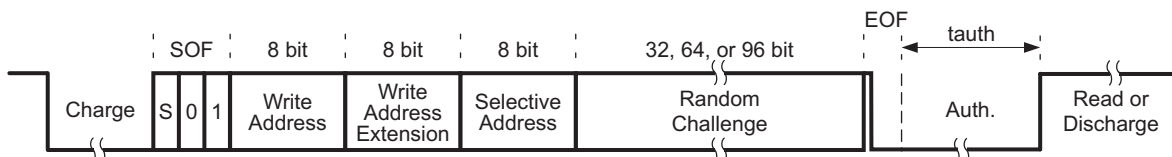
**Figure 24-42. Downlink Telegram of General AES Authentication**

24.5.6.6 Selective AES Authentication

Selective AES Authentication is not available via SPI.

Table 24-57. Address Data of Selective AES Authentication

Write Address				Write Address Extension			Write Data			
Ext. Bit	Bank (3 bits)	Command Flags	Command	Ext. Bit	Action Code (7 bits)	Action Description	Selective Address (8 bits)	Reader Signature (32 bits)	Data	BCC
1	111b	01b	11b	0	30h	Selective Authorization Key 1	00h-FFh	-	32, 64, or 96 bit	-
					34h	Selective Authorization Key 2				
					38h	Selective Authorization RKE Key				
					3Ch	Selective Authorization Transport Key				

**Figure 24-43. Downlink Telegram of Selective AES Authentication**

24.5.6.7 Mutual AES Authentication

General and mutual authentication to the different encryption keys is always feasible as long as the encryption key pages are not configured differently. If the authentication should only be executed with a Mutual Authentication the Page Mutual Bit of the corresponding encryption key page needs to be set.

Mutual AES Authentication is not available via SPI.

Table 24-58. Address Data of Mutual AES Authentication

Write Address				Write Address Extension			Write Data			
Ext. Bit	Bank (3 bits)	Command Flags	Command	Ext. Bit	Action Code (7 bits)	Action Description	Selective Address (8 bits)	Reader Signature (32 bits)	Data	BCC
1	111b	10b	11b	0	30h	Mutual Authentication Key 1	-	00000000h-FFFFFFFFh	32, 64, or 96 bit	-
					34h	Mutual Authentication Key 2				
					38h	Mutual Authentication RKE Key				
					3Ch	Mutual Authentication Transport Key				

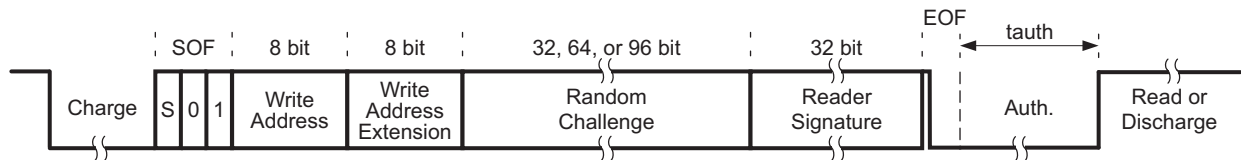


Figure 24-44. Downlink Telegram of Mutual AES Authentication

24.5.6.8 Selective Mutual AES Authentication

Selective Mutual AES Authentication is not available via SPI.

Table 24-59. Address Data of Selective Mutual AES Authentication

Write Address				Write Address Extension			Write Data			
Ext. Bit	Bank (3 bits)	Command Flags	Command	Ext. Bit	Action Code (7 bits)	Action Description	Selective Address (8 bits)	Reader Signature (32 bits)	Data	BCC
1	111b	11b	11b	0	30h	Selective Mutual Authentication Key 1	00h-FFh	00000000h-FFFFFFFFh	32, 64, or 96 bit	-
					34h	Selective Mutual Authentication Key 2				
					38h	Selective Mutual Authentication RKE Key				
					3Ch	Selective Mutual Authentication Transport Key				

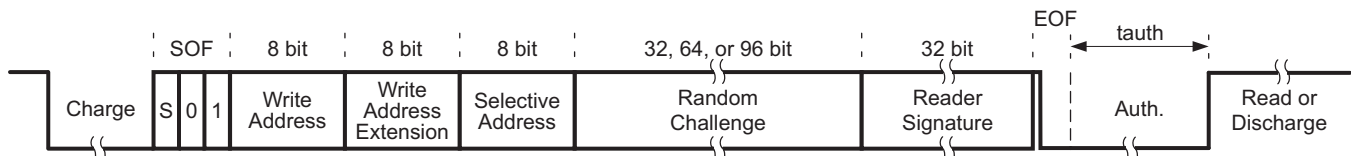


Figure 24-45. Downlink Telegram of Selective Mutual AES Authentication

24.5.6.9 Mutual Anticollision AES Authentication

Anticollision authentication is used for fast interrogation of all transponders in the field. The anticollision mechanism is based on response timeslots. The timeslot is defined by the key number (Key #) stored in page 4, Byte 1 of the EEPROM. For separation of multiple keys with same key number (foreign keys), Mutual Authentication is used in the data downlink.

Input data for authentication process are write address, write address extension, vehicle identification (MEM[7:6], and random challenge.

NOTE: Configuration of challenge-signature length must be observed. This action is not available via SPI.

Table 24-60. Address Data of Mutual Anticollision AES Authentication

Write Address				Write Address Extension			Write Data			
Ext. Bit	Bank (3 bits)	Command Flags	Command	Ext. Bit	Action Code (7 bits)	Action Description	Selective Address (8 bits)	Reader Signature (32 bits)	Data	BCC
1	111b	10b	11b	0	32h	General Mutual Anticollision Authorization Key 1	-	00000000h-FFFFFFFFh	32, 64, or 96 bit	-
					36h	General Mutual Anticollision Authorization Key 2				
					3Ah	General Mutual Anticollision Authorization RKE Key				
					3Eh	General Mutual Anticollision Authorization Transport Key				

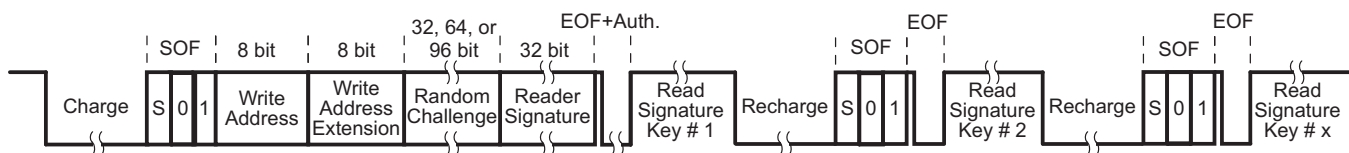


Figure 24-46. Downlink Telegram of Mutual Anticollision AES Authentication

24.5.6.10 Selective Mutual Anticollision AES Authentication

Input data for authentication process are write address, write address extension, vehicle identification (MEM[7:6]), selective address and random challenge.

NOTE: Configuration of challenge-signature length must be observed. This action is not available via SPI.

Table 24-61. Address Data of Selective Mutual Anticollision AES Authentication

Write Address				Write Address Extension			Write Data			
Ext. Bit	Bank (3 bits)	Command Flags	Command	Ext. Bit	Action Code (7 bits)	Action Description	Selective Address (8 bits)	Reader Signature (32 bits)	Data	BCC
1	111b	11b	11b	0	32h	Selective Mutual Anticollision Authorization Key 1	00h-FFh	00000000h-FFFFFFFFh	32, 64, or 96 bit	-
					36h	Selective Mutual Anticollision Authorization Key 2				
					3Ah	Selective Mutual Anticollision Authorization RKE Key				
					3Eh	Selective Mutual Anticollision Authorization Transport Key				

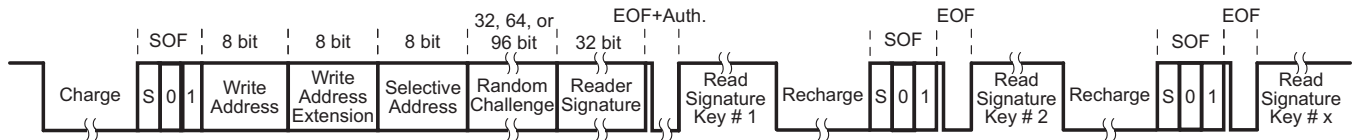


Figure 24-47. Downlink Telegram of Selective Mutual Anticollision AES Authentication

24.5.6.11 General MSP Access

The MSP Access Action allows communication between the base station reader and RF430F59xx. The Reader can send 4 or 8 bytes of data to the RF430F59xx and receive 4 or 8 bytes from RF430F59xx.

This action is not available via SPI.

Table 24-62. Address Data of General MSP Access

Write Address				Write Address Extension			Write Data			
Ext. Bit	Bank (3 bits)	Command Flags	Command	Ext. Bit	Action Code (7 bits)	Action Description	Selective Address (8 bits)	Reader Signature (32 bits)	Data	BCC
1	111b	00b	11b	0	00h	General MSP Access, 4 Bytes	-	-	32 bit	16 bit
					01h	General MSP Access, 8 Bytes			64 bit	

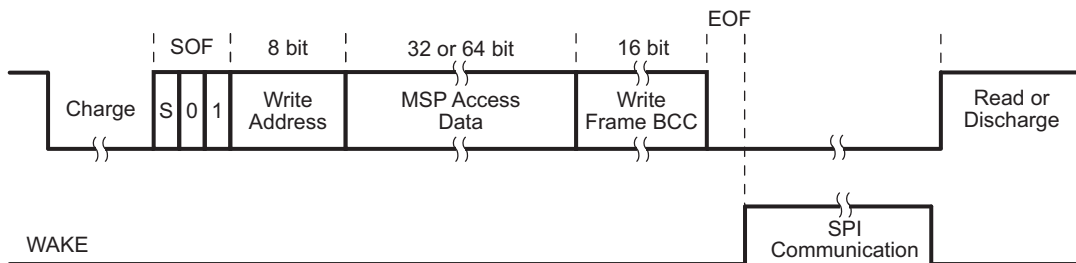


Figure 24-48. Downlink Telegram of General MSP Access

24.5.6.12 Selective MSP Access

This action is not available via SPI.

Table 24-63. Address Data of Selective MSP Access

Write Address				Write Address Extension			Write Data			
Ext. Bit	Bank (3 bits)	Command Flags	Command	Ext. Bit	Action Code (7 bits)	Action Description	Selective Address (8 bits)	Reader Signature (32 bits)	Data	BCC
1	111b	01b	11b	0	00h	Selective MSP Access, 4 Bytes	00h-FFh	-	32 bit	16 bit
					01h	Selective MSP Access, 8 Bytes			64 bit	

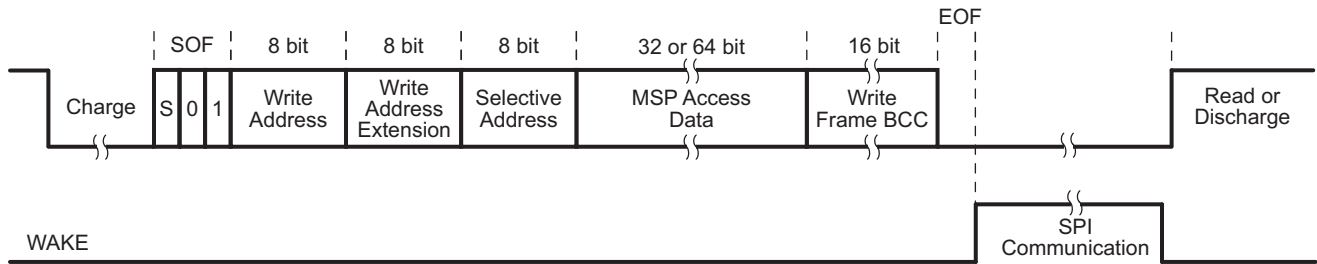


Figure 24-49. Downlink Telegram of Selective MSP Access

24.5.6.13 Mutual Authentication MSP Access

This action is not available via SPI.

Table 24-64. Address Data of Mutual Authentication MSP Access

Write Address				Write Address Extension			Write Data			
Ext. Bit	Bank (3 bits)	Command Flags	Command	Ext. Bit	Action Code (7 bits)	Action Description	Selective Address (8 bits)	Reader Signature (32 bits)	Data	BCC
1	111b	10b	11b	0	00h	Mutual Authentication MSP Access, 4 Bytes	-	00000000h-FFFFFFFFh	32 bit	16 bit
					01h	Mutual Authentication MSP Access, 8 Bytes			64 bit	

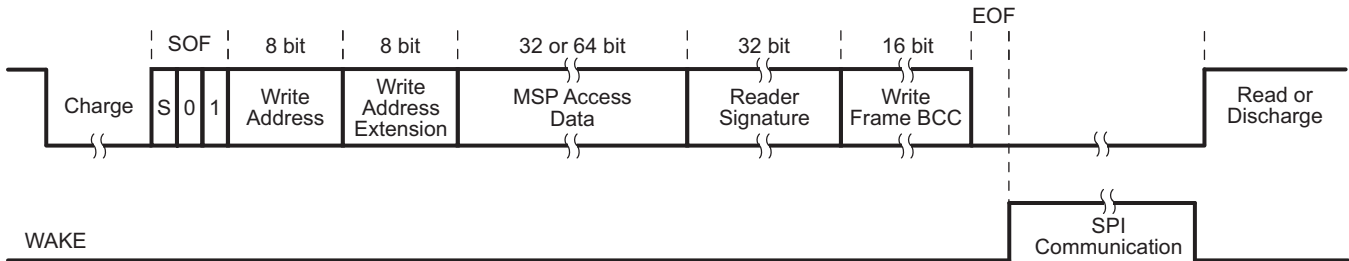


Figure 24-50. Downlink Telegram of Mutual Authentication MSP Access

24.5.6.14 Selective Mutual Authentication MSP Access

This action is not available via SPI.

Table 24-65. Address Data of Selective Mutual Authentication MSP Access

Write Address				Write Address Extension			Write Data			
Ext. Bit	Bank (3 bits)	Command Flags	Command	Ext. Bit	Action Code (7 bits)	Action Description	Selective Address (8 bits)	Reader Signature (32 bits)	Data	BCC
1	111b	11b	11b	0	00h	Selective Mutual Authentication MSP Access, 4 Bytes	00h-FFh	00000000h-FFFFFFFFh	32 bit	16 bit
					01h	Selective Mutual Authentication MSP Access, 8 Bytes			64 bit	

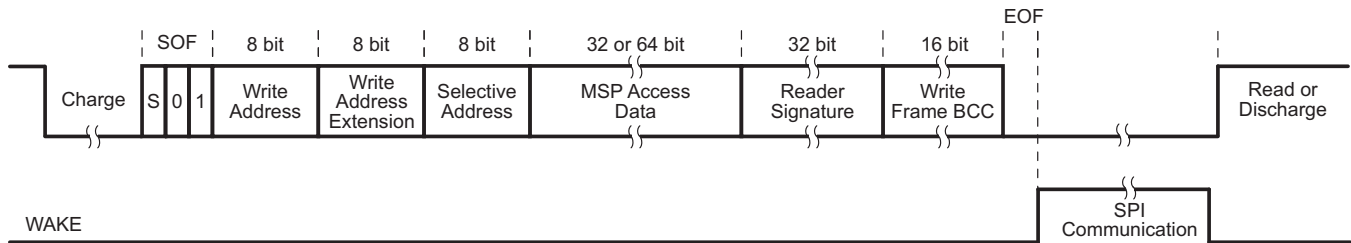


Figure 24-51. Downlink Telegram of Selective Mutual Authentication MSP Access

24.5.6.15 General Battery Charge

The Battery Charge command activates the battery charge regulator between VCL and VBAT. The battery charge regulator is equipped with a pre-regulator, which ensures that VCL remains high enough for function if there is a short circuit at VBAT.

The battery charge regulator is deactivated when the reader switches off the carrier. EOB becomes high in this case. A status is responded in the uplink telegram.

Table 24-66. Address Data of General Battery Charge

Write Address				Write Address Extension			Write Data			
Ext. Bit	Bank (3 bits)	Command Flags	Command	Ext. Bit	Action Code (7 bits)	Action Description	Selective Address (8 bits)	Reader Signature (32 bits)	Data	BCC
1	111b	00b	11b	0	03h	General Battery Charge	-	-	8 bit	16 bit

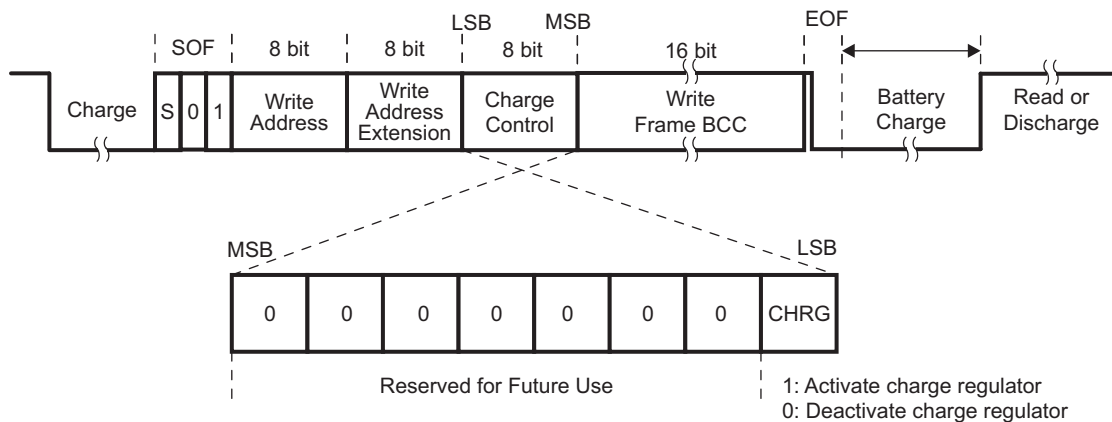


Figure 24-52. Downlink Telegram of General Battery Charge

24.5.6.16 Selective Battery Charge

This action is not available via SPI.

Table 24-67. Address Data of Selective Battery Charge

Write Address				Write Address Extension			Write Data			
Ext. Bit	Bank (3 bits)	Command Flags	Command	Ext. Bit	Action Code (7 bits)	Action Description	Selective Address (8 bits)	Reader Signature (32 bits)	Data	BCC
1	111b	01b	11b	0	03h	Selective Battery Charge	00h-FFh	-	8 bit	16 bit

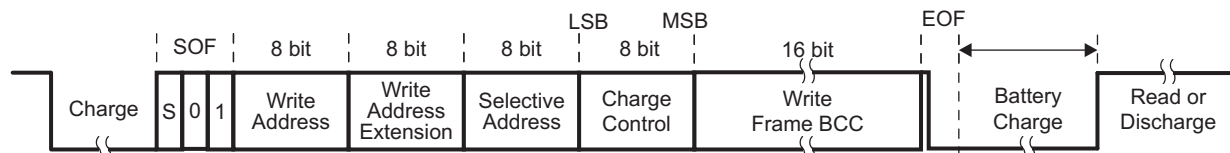


Figure 24-53. Downlink Telegram of Selective Battery Charge

24.5.6.17 Mutual Authentication Battery Charge

This action is not available via SPI.

Table 24-68. Address Data of Mutual Authentication Battery Charge

Write Address				Write Address Extension			Write Data			
Ext. Bit	Bank (3 bits)	Command Flags	Command	Ext. Bit	Action Code (7 bits)	Action Description	Selective Address (8 bits)	Reader Signature (32 bits)	Data	BCC
1	111b	10b	11b	0	03h	Mutual Authentication Battery Charge	-	00000000h-FFFFFFFFh	8 bit	16 bit

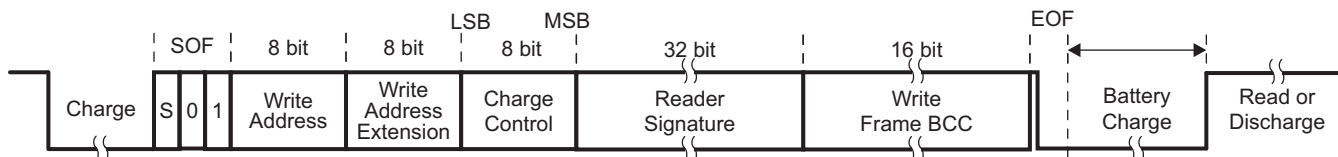


Figure 24-54. Downlink Telegram of Mutual Authentication Battery Charge

24.5.6.18 Selective Mutual Authentication Battery Charge

This action is not available via SPI.

Table 24-69. Address Data of Selective Mutual Authentication Battery Charge

Write Address				Write Address Extension			Write Data			
Ext. Bit	Bank (3 bits)	Command Flags	Command	Ext. Bit	Action Code (7 bits)	Action Description	Selective Address (8 bits)	Reader Signature (32 bits)	Data	BCC
1	111b	11b	11b	0	03h	Selective Mutual Authentication Battery Charge	00h-FFh	00000000h-FFFFFFFFh	8 bit	16 bit

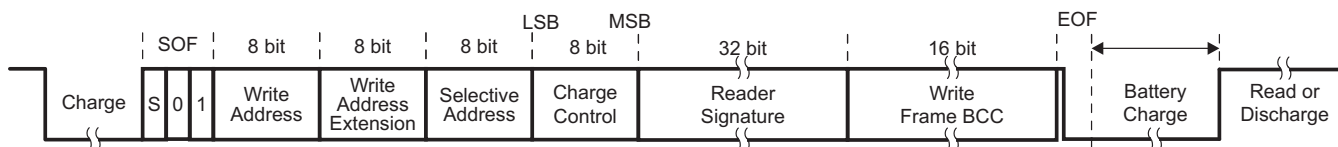


Figure 24-55. Downlink Telegram of Selective Mutual Authentication Battery Charge

24.5.6.19 General Remote Antenna Trimming

The resonant circuits of the RF430F59xx can be trimmed by the embedded binary weighted trimming capacitor array (see Figure 24-56). The trimming capacitors are switched on or off permanently (without existence of supply voltage) by floating gate transistors, which can be programmed remotely via LF interface.

The reader/programmer must be able to measure the resonance frequency (f_{RES}) or low-bit frequency (f_L) of the transponder resonant circuit. Additionally a measurement of high-bit frequency (f_H) is possible. Trimming should be done at 25°C to the nominal values listed in parameter part.

NOTE: Nominal values of f_{RES} and f_L might be different. Typically f_L is slightly lower than f_{RES} .

The measurement of f_{RES} and f_L can be done during the pre-bit phase. It is preferable to measure f_L and f_H during a response telegram (see Figure 24-77). To avoid influences due to LF transceiver charge burst, the measurement should be done in the second half of the pre-bit phase, earliest after a delay, equivalent to the quality factor ($QRX = 10 = 10$ oscillations delay). For f_L measurements, at least 64 cycles (4 bits) should be used for a period duration measurement of the receive clock (RXCK). For f_{RES} measurement, less clocks are available if $Q_{trp} < 70$, because oscillation maintenance of transponder is disabled.

If the reader is not equipped with a clock output, such as ASIC TMS3705, additional circuits might be required for clock extraction. Another possibility is to measure the frequencies at CLK_OUT pin of transponder. For this purpose Bit 5, Byte 0 of write Trimming Control field (see Table 24-71) must be set (1).

The trimming process use the remote antenna trimming commands (see Table 24-70 through Table 24-73), whereby the downlink telegrams (see Figure 24-56 through Figure 24-59) are sent sequentially multiple times with different write trimming data. The processes for measuring and trimming f_{RES} and f_L (and f_H) are described in flow charts Figure 24-58 and Figure 24-59. An initial trimming switch configuration can be determined by measuring frequency with all trimming capacitors switched OFF (f_{CToff}) and ON (f_{CTon}). The goal frequency (f_{goal}) is either f_{RES} or f_L .

To determine the initial trimming switch configuration (X) for correct trimming, use Equation 38.

$$X = 127 \times \frac{\left(\frac{f_{CToff}^2}{f_{goal}^2} - 1 \right)}{\left(\frac{f_{CToff}^2}{f_{CTon}^2} - 1 \right)} \tag{38}$$

Example:

- $f_{CToff} = 139$ kHz
- $f_{CTon} = 129.5$ kHz
- $f_{goal} = f_{RES} = 134.2$ kHz
- $x = 60.7 = 61$ (3Dh)
- $f_{RES} \approx 134.185$ kHz (calculated with typical specification values)

Table 24-70. Address Data of General Remote Antenna Trimming

Write Address				Write Address Extension			Write Data			
Ext. Bit	Bank (3 bits)	Command Flags	Command	Ext. Bit	Action Code (7 bits)	Action Description	Selective Address (8 bits)	Reader Signature (32 bits)	Data	BCC
1	111b	00b	11b	0	02h	General Antenna Trimming	-	-	32 bit	16 bit

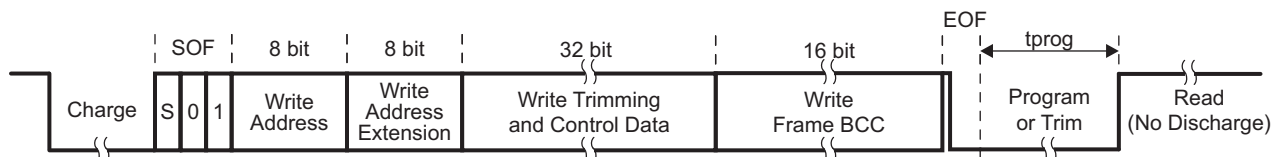


Figure 24-56. Downlink Telegram of General Antenna Trimming

Table 24-71. Content of Write Trimming and Control Data

Antenna 3								Antenna 2								Antenna 1								TRIM_CNTRL							
3								2								1								0							
7	6	5	4	3	2	1	0	7	6	5	4	3	2	1	0	7	6	5	4	3	2	1	0	7	6	5	4	3	2	1	0
LOCK	TRIM_SW6	TRIM_SW5	TRIM_SW4	TRIM_SW3	TRIM_SW2	TRIM_SW1	TRIM_SW0	LOCK	TRIM_SW6	TRIM_SW5	TRIM_SW4	TRIM_SW3	TRIM_SW2	TRIM_SW1	TRIM_SW0	LOCK	TRIM_SW6	TRIM_SW5	TRIM_SW4	TRIM_SW3	TRIM_SW2	TRIM_SW1	TRIM_SW0	CLK_OUT_SEL	RFU ('0')	PROG_ONE_ONLY	PROG_EN	OSCM_EN	ANT3_EN	ANT2_EN	ANT1_EN

RAIDAES_DL_TrimmData_1.xls

LOCK	1 = The current trimming switch configuration is locked and cannot be changed anymore. Unlocking is not possible. 0 = This bit must be set to 0 during trimming process.
TRIM_SW[6:0]	1 = The trimming switch is programmed or set to ON and trimming capacitor is activated. 0 = At start of trimming process, all trimming switches must be programmed to OFF (0). Because all capacitors are activated for short time during programming, the resonant circuit changes the frequency over full trimming range. Therefore, a strong coupling between programmer and transponder is required.
CLK_OUT_SEL	1 = The CLK_OUT pin is switched to the regenerated resonant circuit clock and frequency could also be measured at this pin. The output shows the clock until CLK_OUT_SEL is set to 0 or a VCL reset occurs. 0 = Frequency is measured by reader.
RFU	Reserved (RFU). Must be set to 0.
ANT1_EN	Select the antenna to be programmed, trimmed, and measured. If no antenna is selected, the automatically selected response antenna is used. If due to strong coupling the Antenna Selector has switched to a different antenna during SOF, for response the addressed antenna is activated. If more than one antenna is addressed, programming or trimming is executed at all addressed antennas, but response is at automatic selected antenna (see OSCM_EN).
ANT2_EN	
ANT3_EN	
OSCM_EN	1 = Oscillation maintenance is enabled during read phase. In this case, an uplink telegram can be received and the low-bit frequency (f_L) and the high-bit frequency (f_H) can be measured (pre-bit and/or data field phase). 0 = The RF drops depending on quality factor. In this case, the resonance frequency (f_{RES}) can be measured.
PROG_EN	With PROG_ONE_ONLY and LOCK in control data, defines if the floating gate transistors (see Figure 24-57) are programmed, the lock bit is set or the parallel transistors are activated (see Table 24-72).
PROG_ONE_ONLY	With PROG_EN and LOCK in control data, defines if the floating gate transistors (see Figure 24-57) are programmed, the lock bit is set or the parallel transistors are activated (see Table 24-72).

Table 24-72. Description of Antenna Selection

ANT3_EN	ANT2_EN	ANT1_EN	DESCRIPTION
0	0	0	Command execution and response at automatic selected RF pin. Discharge independent from configuration.
0	0	1	Command execution and response at RF1. No discharge independent from configuration.
0	1	0	Command execution and response at RF2. No discharge independent from configuration.
0	1	1	Command Execution at RF1 and RF2. Response at automatic selected RF pin. No discharge independent from configuration.
1	0	0	Command execution and response at RF3. No discharge independent from configuration.
1	0	1	Command execution at RF1 and RF3. Response at automatic selected RF pin. No discharge independent from configuration.
1	1	0	Command execution at RF2 and RF2. Response at automatic selected RF pin. No discharge independent from configuration.
1	1	1	Command execution at RF1, RF2, and RF3. Response at automatic selected RF pin. No discharge independent from configuration.

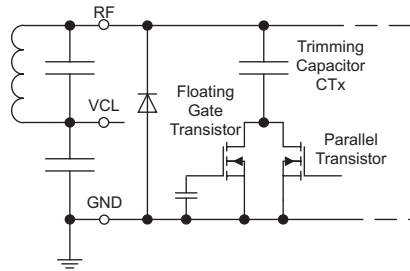


Figure 24-57. Schematic of Trimming Circuit

Table 24-73. Description of Program Control Bits

LOCK_ANT[3-1]	PROG_ONE_ONLY	PROG_EN	DESCRIPTION
0	0	0	Trimming using parallel transistors
0	0	1	No action. Frequency measurement only.
0	1	0	Program only on floating gate transistors.
0	1	1	Program floating gate transistors on and off.
1	0	0	No action. Frequency measurement only.
1	0	1	Lock selected lock bit.
1	1	0	Program only on and lock.
1	1	1	Program on and off and lock.

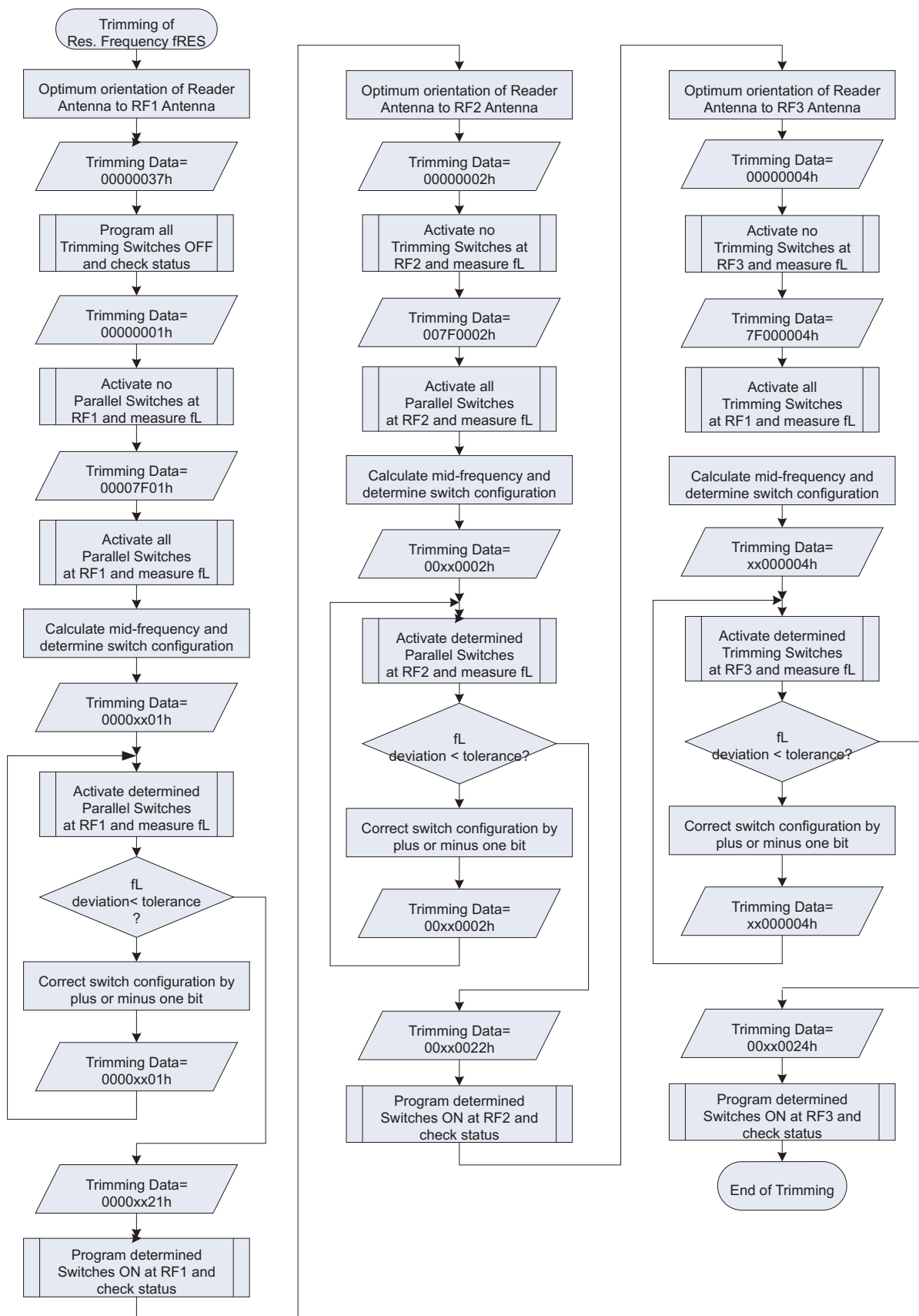


Figure 24-58. Flowchart of Remote Antenna Trimming Process Using Resonance Frequency

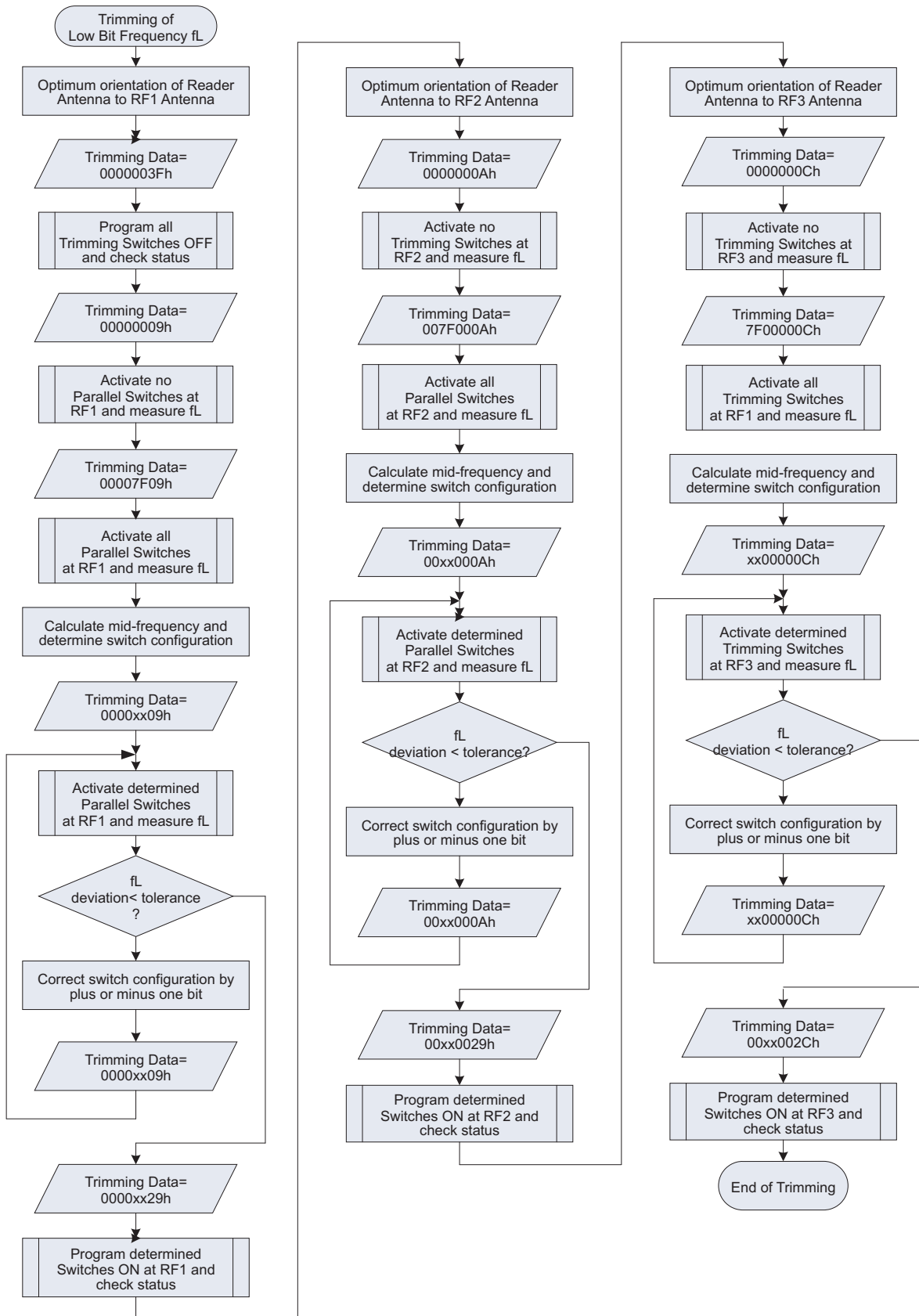


Figure 24-59. Flowchart of Remote Antenna Trimming Process Using Low Bit Frequency

24.5.6.20 Selective Remote Antenna Trimming

This action is not available via SPI

Table 24-74. Address Data of Selective Remote Antenna Trimming

Write Address				Write Address Extension			Write Data			
Ext. Bit	Bank (3 bits)	Command Flags	Command	Ext. Bit	Action Code (7 bits)	Action Description	Selective Address (8 bits)	Reader Signature (32 bits)	Data	BCC
1	111b	01b	11b	0	02h	Selective Antenna Trimming	00h-FFh	-	32 bit	16 bit

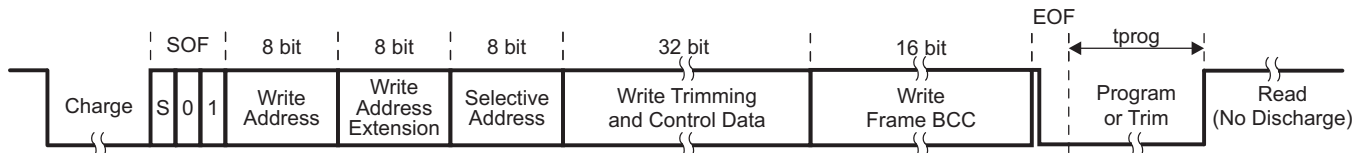


Figure 24-60. Downlink Telegram of Selective Remote Antenna Trimming

24.5.6.21 Mutual Authentication Remote Antenna Trimming

This action is not available via SPI.

Table 24-75. Address Data of Mutual Authentication Remote Antenna Trimming

Write Address				Write Address Extension			Write Data			
Ext. Bit	Bank (3 bits)	Command Flags	Command	Ext. Bit	Action Code (7 bits)	Action Description	Selective Address (8 bits)	Reader Signature (32 bits)	Data	BCC
1	111b	10b	11b	0	02h	Mutual Authentication Antenna Trimming	-	00000000h-FFFFFFFFh	32 bit	16 bit

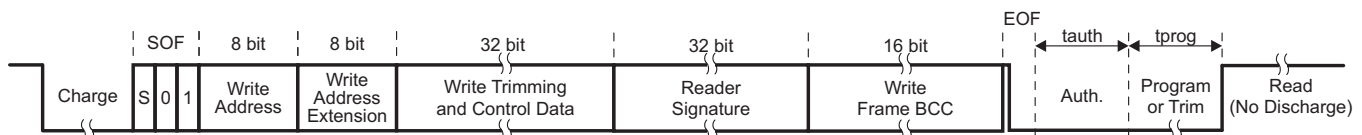


Figure 24-61. Downlink Telegram of Mutual Authentication Remote Antenna Trimming

24.5.6.22 Selective Mutual Authentication Remote Antenna Trimming

This action is not available via SPI.

Table 24-76. Address Data of Selective Mutual Authentication Remote Antenna Trimming

Write Address				Write Address Extension			Write Data			
Ext. Bit	Bank (3 bits)	Command Flags	Command	Ext. Bit	Action Code (7 bits)	Action Description	Selective Address (8 bits)	Reader Signature (32 bits)	Data	BCC
1	111b	11b	11b	0	02h	Selective Mutual Authentication Antenna Trimming	00h-FFh	00000000h-FFFFFFFFh	32 bit	16 bit

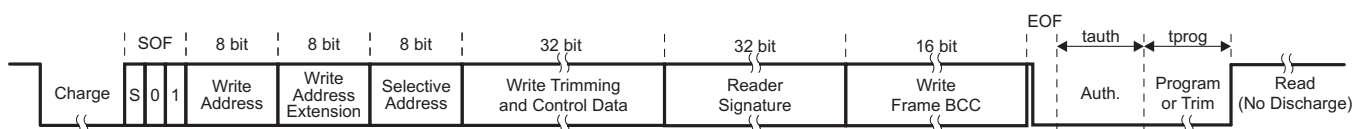


Figure 24-62. Downlink Telegram of Selective Mutual Authentication Remote Antenna Trimming

24.5.6.23 General Status Read

Table 24-77. Address Data of General Status Read

Write Address				Write Address Extension			Write Data			
Ext. Bit	Bank (3 bits)	Command Flags	Command	Ext. Bit	Action Code (7 bits)	Action Description	Selective Address (8 bits)	Reader Signature (32 bits)	Data	BCC
1	111b	00b	11b	0	40h	General Status Read	-	-	-	-

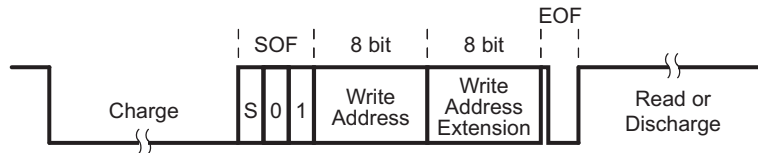


Figure 24-63. Downlink Telegram of General Status Read

24.5.6.24 Selective Status Read

Table 24-78. Address Data of Selective Status Read

Write Address				Write Address Extension			Write Data			
Ext. Bit	Bank (3 bits)	Command Flags	Command	Ext. Bit	Action Code (7 bits)	Action Description	Selective Address (8 bits)	Reader Signature (32 bits)	Data	BCC
1	111b	01b	11b	0	40h	Selective Status Read	00h-FFh	-	-	-

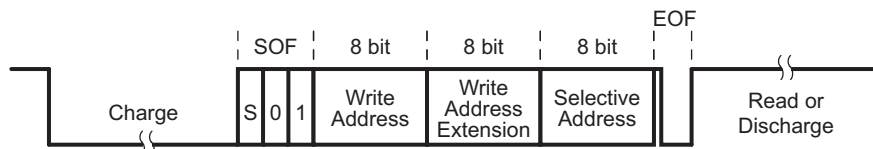


Figure 24-64. Downlink Telegram of Selective Status Read

24.5.6.25 Mutual Authentication Status Read

Table 24-79. Address Data of Mutual Authentication Status Read

Write Address				Write Address Extension			Write Data			
Ext. Bit	Bank (3 bits)	Command Flags	Command	Ext. Bit	Action Code (7 bits)	Action Description	Selective Address (8 bits)	Reader Signature (32 bits)	Data	BCC
1	111b	10b	11b	0	40h	Mutual Status Read	-	0000000h-FFFFFFFFh	-	-

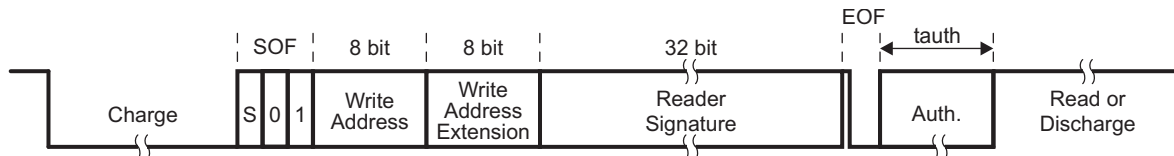


Figure 24-65. Downlink Telegram of Mutual Authentication Status Read

24.5.6.26 Selective Mutual Authentication Status Read

Table 24-80. Address Data of Selective Mutual Authentication Status Read

Write Address				Write Address Extension			Write Data			
Ext. Bit	Bank (3 bits)	Command Flags	Command	Ext. Bit	Action Code (7 bits)	Action Description	Selective Address (8 bits)	Reader Signature (32 bits)	Data	BCC
1	111b	11b	11b	0	40h	Selective Mutual Status Read	00h-FFh	0000000h-FFFFFFFFh	-	-

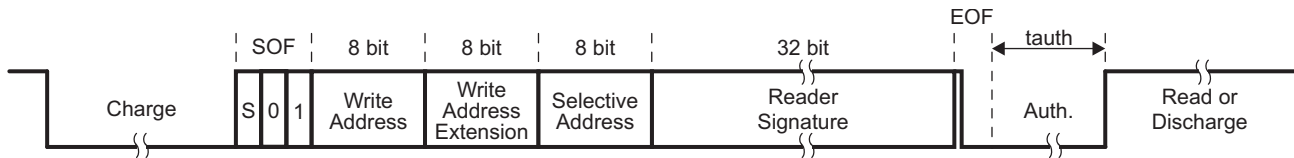


Figure 24-66. Downlink Telegram of Selective Mutual Authentication Read

24.5.7 Uplink

During Uplink, also called Read or Response, data are sent from transponder to reader using Frequency Shift Keying (FSK) in Half Duplex (HDX) mode. Each transmitted bit has sixteen resonant circuit oscillations. The uplink phase starts with positive transition of EOB after a write or action phase with activation of resonant circuit oscillation maintenance (see Figure 24-67). During the so called pre-bit phase (t_{prebit}) the transponder sends sixteen low bits (c_{prebit}). The uplink modulation starts after pre-bit phase plus one low bit (c_{trans}, t_{trans}). The transmitter of the reader is switched off continuously during uplink.

The read telegram includes a read address and a read address extension byte. The content and meaning of these bytes are different for transponder memory access and action access commands.

The uplink telegram is typically terminated with a 16-bit read frame BCC, which was generated by the transponder using the transmitted data and address bytes after the start byte (see Figure 24-67). The reader must check the validity of the received telegram by shifting all received bits after start byte including the read frame BCC through the CRC-Generator described in Figure 24-17. The result must be zero.

For an authentication uplink, the response is already terminated after the read address extension (see Figure 24-68).

After transmission of the uplink telegram, which has a total of either 96 or 128 bits, an additional low bit is sent. During that bit, the transponder terminates the oscillation of resonant circuit by damping or VCL discharge. This determines the mode bit byte[5:5] (IMMO_DCHRG) in the customer configuration Page MEM[7:5].

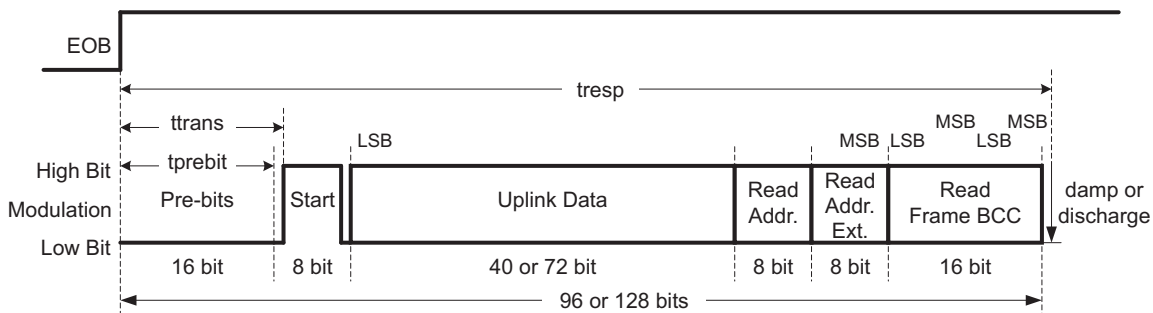


Figure 24-67. General Uplink Telegram Overview

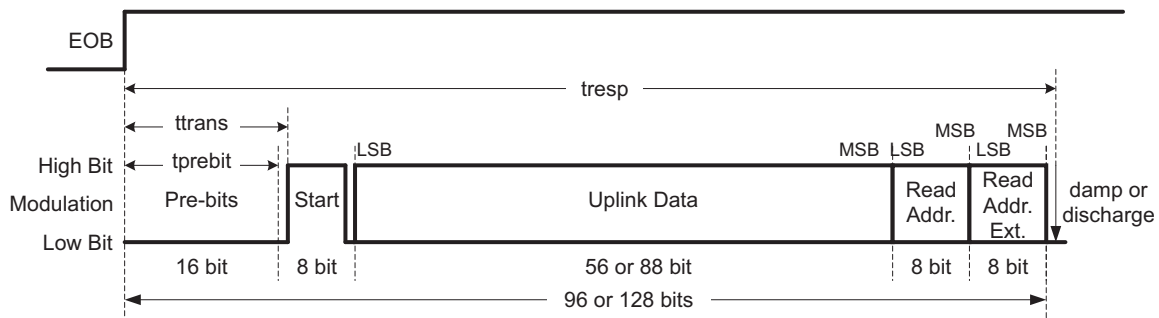


Figure 24-68. Authentication Uplink Telegram Overview

24.5.7.1 Response to Transponder Memory Access Commands

The read address of the response to a Transponder Memory Access command shows the addresses bank, the status of the command execution and the lock bits (see Figure 24-69). The read address extension displays the address of the related page.

The status code in a response to a Transponder Memory Access command includes information about execution and the lock bit conditions of the addressed page (see Table 24-81).

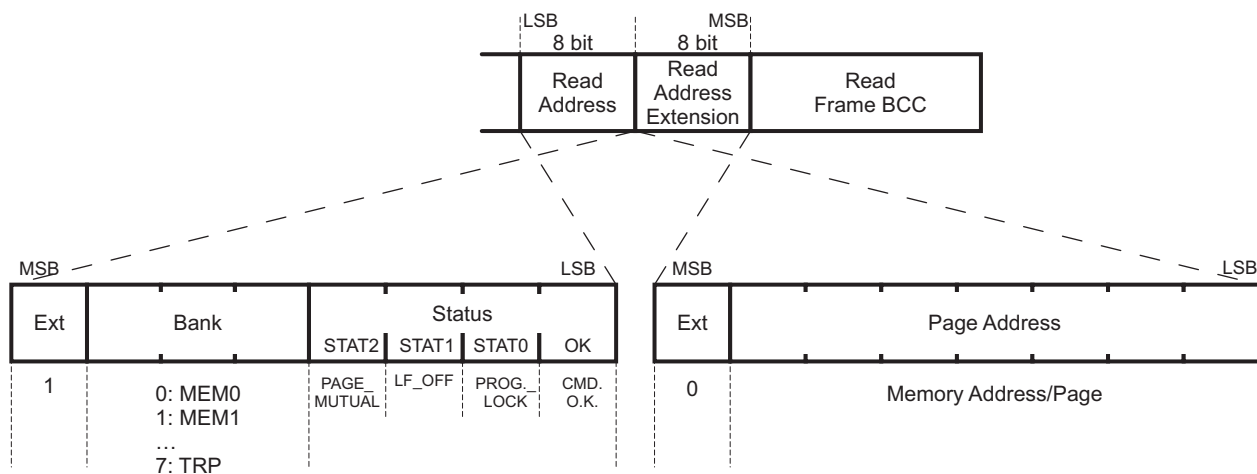


Figure 24-69. Content of Read Address and Read Address Extension

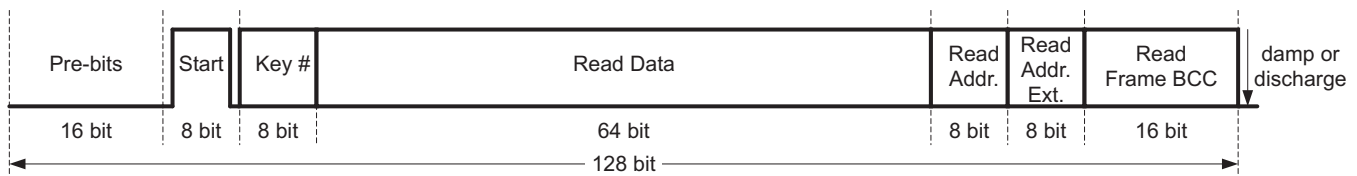
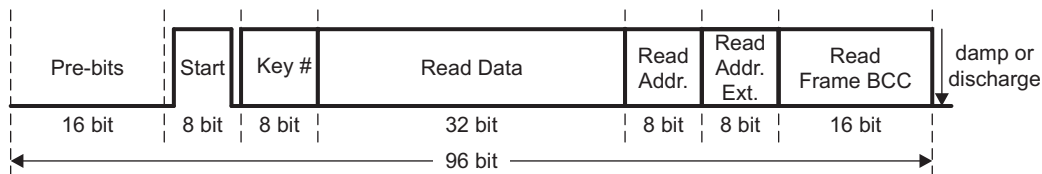
Table 24-81. Status Codes of Transponder Memory Access Response

Status Code					Status Description of Transponder Memory Access Response		
Binary				Hex	Read	Program	Lock
PAGE_MUTUAL	LF_OFF	PROG_LOCK	CMD_OK				
0	0	0	0	0	Successful Read. Lock Bit Condition of addressed Page is shown.	Successful programming	Successful Locking
1	0	0	0	8			
0	0	1	0	2			
1	0	1	0	A			
0	0	0	1	1	Successful Read. Lock Bit Condition of addressed Page is shown.	Successful programming	Successful Locking
1	0	0	1	9			
0	0	1	1	3			
1	0	1	1	B			

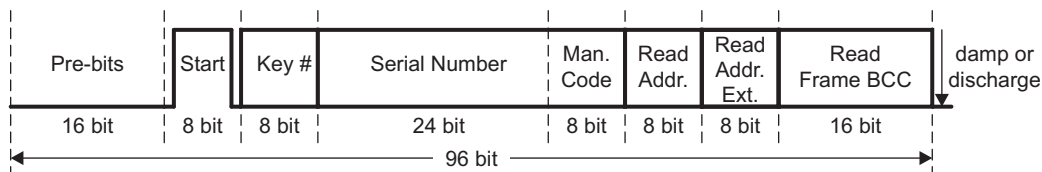
Table 24-81. Status Codes of Transponder Memory Access Response (continued)

Status Code					Status Description of Transponder Memory Access Response		
Binary				Hex	Read	Program	Lock
PAGE_MUTUAL	LF_OFF	PROG_LOCK	CMD_OK				
0	1	0	0	4	Status Codes not valid		
0	1	0	1	5			
0	1	1	0	6			
0	1	1	1	7			
1	1	0	0	C			
1	1	0	1	D			
1	1	1	0	E			
1	1	1	1	F			

24.5.7.2 Response to Read, Program, and Lock Commands

**Figure 24-70. Read Telegram of Read, Program, and Lock MEM[0-2:0-63], MEM[3:0-29]****Figure 24-71. Read Telegram of Read, Program, and Lock MEM[7:0-15]**

If pages with encryption keys are addressed, the read telegram shows the status of the addressed page but data of MEM[7:2] are responded together with key # (see [Figure 24-72](#)).

**Figure 24-72. Read Telegram of Read, Program, and Lock MEM[7:16-31], ACTN[7:10h-1Fh]**

24.5.7.3 Response to Transponder Action Access Commands

The response telegram of a Transponder Action Access command includes in the read address byte, the affected bank and a status field (see [Figure 24-73](#)). The meaning of status field is different for different actions. The read address extension byte shows the code of the executed action.

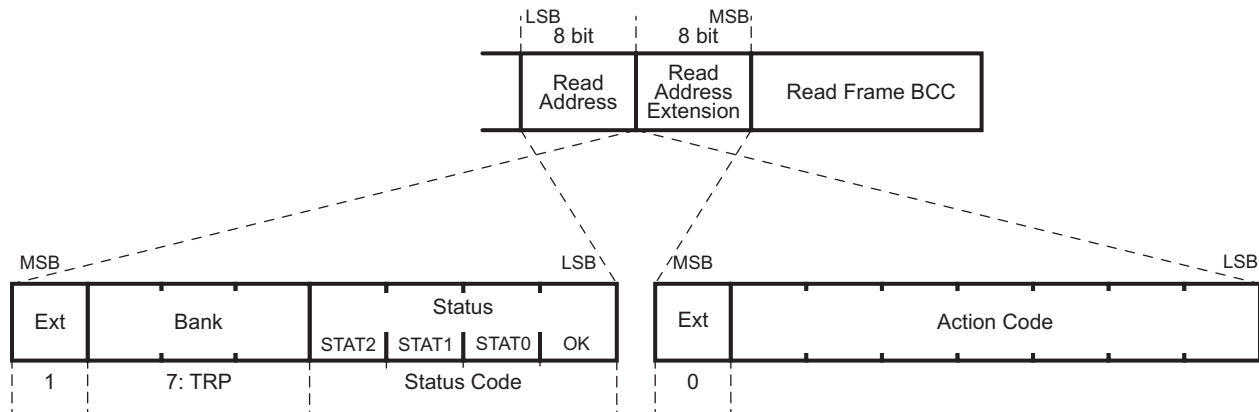


Figure 24-73. Read Address and Address Extension of Action Responses

24.5.7.4 Response to AES Authentication 32/32, 64/64 and 96/64

The response of AES Authentication 32/32 has a length of 96 bits (see Figure 24-74). The response of AES authentication 64/64 and 96/64 have a length of 128 bits (see Figure 24-75). Beside signature the serial number of MEM[7:2] is reported.

The status code in a response to an AES encryption command includes only information about lock bit conditions of the used encryption key (see Table 24-82). Any error detected during encryption process results in no response.

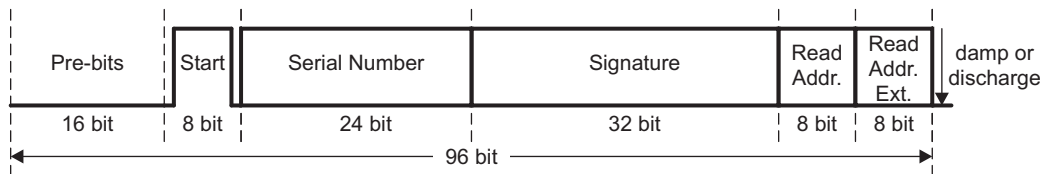


Figure 24-74. Read Telegram of AES (RKE) Authentication 32/32

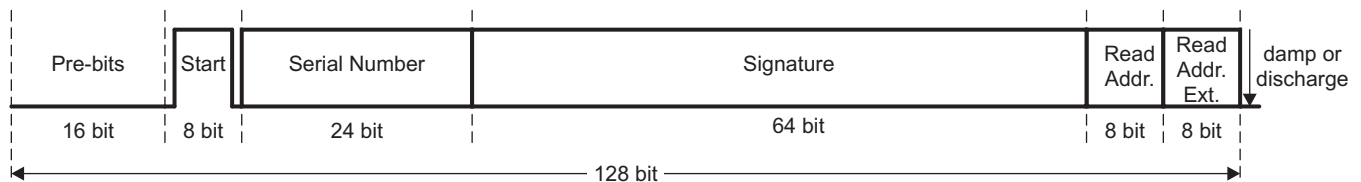


Figure 24-75. Read Telegram of AES (RKE) Authentication 64/64 and 96/64

Table 24-82. Status Code of AES Encryption Response

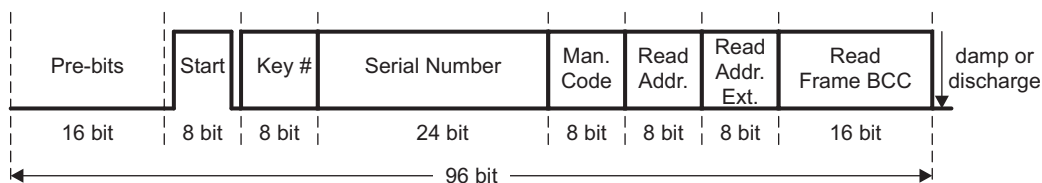
Status Code					Status Description of Transponder Action Access Response
Binary				Hex	AES Encryption
PAGE_MUTUAL	LF_OFF	PROG_LOCK	CMD_OK		
0	0	0	1	1	Encryption executed. Lock Bit Condition of addressed AES Key is shown.
1	0	0	1	9	
0	0	1	1	3	
1	0	1	1	B	

Table 24-82. Status Code of AES Encryption Response (continued)

Status Code					Hex	AES Encryption
Binary						
PAGE_MUTUAL	LF_OFF	PROG_LOCK	CMD_OK			
0	0	0	0	0	Status Codes not valid	
1	0	0	0	8		
0	0	1	0	2		
1	0	1	0	A		
0	1	0	0	4		
1	1	0	0	C		
0	1	1	0	6		
1	1	1	0	E		
0	1	0	1	5		
1	1	0	1	D		
0	1	1	1	7		
1	1	1	1	F		

24.5.7.5 Response to Battery Charge Commands

The response to a battery charge command includes key #, serial number and manufacturer code (see [Figure 24-76](#)). For status field interpretation see [Table 24-83](#).

**Figure 24-76. Read Telegram of Battery Charge Command****Table 24-83. Status Code of Battery Charge Response**

Status Code					Status Description of Battery Charge Response	
Binary				Hex	Battery Charge On	Battery Charge Off
		CHARGE_ON	CMD_OK			
0	0	0	0	0	Charge regulator not activated, because NOCHARGE = 1 (TI configuration)	-
0	0	1	0	2	-	Charge regulator not deactivated, because continuously activated by BAT_CHARGE = 1 and NOCHARGE = 0
0	0	0	1	1	-	Charge regulator deactivated
0	0	1	1	3	Charge regulator activated	-

Table 24-83. Status Code of Battery Charge Response (continued)

Status Code					Status Description of Battery Charge Response	
Binary				Hex	Battery Charge On	Battery Charge Off
RF 3	RF 2	CHARGE_ON	CMD_OK			
0	1	0	0	4	Status codes not valid	
0	1	0	1	5		
0	1	1	0	6		
0	1	1	1	7		
1	0	0	0	8		
1	0	0	1	9		
1	0	1	0	A		
1	0	1	1	B		
1	1	0	0	C		
1	1	0	1	D		
1	1	1	0	E		
1	1	1	1	F		

24.5.7.6 Response to Remote Antenna Trimming Commands

If the oscillation maintenance enable bit (OSCM_EN) in Byte 0 of the write trimming data field is set, the transponder responds with a read telegram (see Figure 24-77). The read address and read address extension contain information about command execution and affected LF channels. The trim status shows the lock bit status of the three channels (see Table 24-84).

Either during second half of pre-bit phase or during the first 12-bit measurement field the low-bit frequency (f_L) can be measured by the reader. The desired low-bit frequency is lower than the resonance frequency, which must be considered. Goal of trimming is to reach a resonance frequency of $f_{RES} = 134.2$ kHz.

During the second 12-bit measurement field the high-bit frequency (f_H) can be measured by the reader.

If the OSCM_EN bit is not set, the oscillation maintenance is not started in the pause between two remote antenna trimming commands. The watchdog of the LF front end is disabled. Due to this the oscillation of resonant circuit drops in accordance with the quality factor and the reader can determine the resonance frequency (f_{res}).

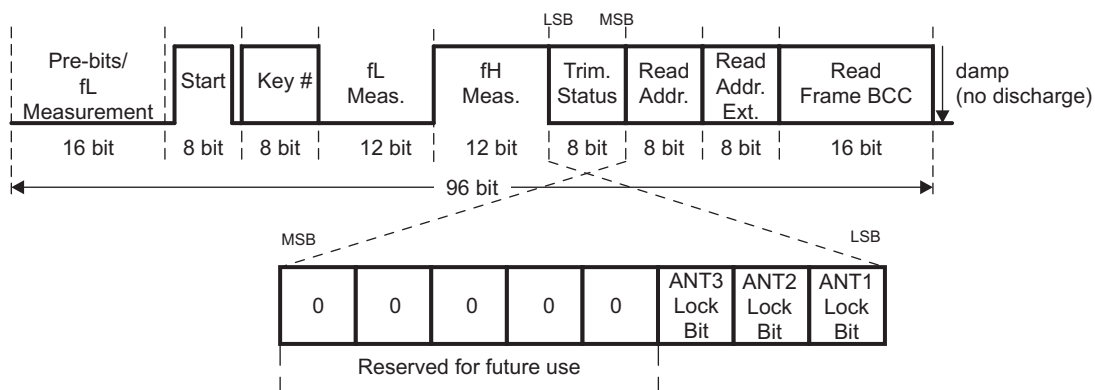


Figure 24-77. Read Telegram of Remote Antenna Trimming

Table 24-84. Status Code of Remote Antenna Trimming Response

Status Code					Status Description of Remote Antenna Trimming Response
Binary				Hex	Antenna Trimming
RF 3	RF 2	RF 1	CMD_OK		
0	0	0	1	1	Command executed. Response channel determined by antenna selector.

Table 24-84. Status Code of Remote Antenna Trimming Response (continued)

Status Code				Hex	Status Description of Remote Antenna Trimming Response
Binary					
RF 3	RF 2	RF 1	CMD_OK	Antenna Trimming	
0	0	1	1	3	Command executed. Response at RF1.
0	1	0	1	5	Command executed. Response at RF2.
0	1	1	1	7	Command executed at RF1 and RF2. Response channel determined by antenna selector.
1	0	0	1	9	Command executed. Response at RF3.
1	0	1	1	B	Command executed at RF1 and RF3. Response channel determined by antenna selector.
1	1	0	1	D	Command executed at RF2 and RF3. Response channel determined by antenna selector.
1	1	1	1	F	Command executed at RF1, RF2 and RF3. Response channel determined by antenna selector.
0	0	0	0	0	Command not executed. Response channel determined by antenna selector.
0	0	1	0	2	Command not executed at RF1. Response at RF1.
0	1	0	0	4	Command not executed at RF2. Response at RF2.
0	1	1	0	6	Command not executed at RF1 and RF2. Response channel determined by antenna selector.
1	0	0	0	8	Command not executed at RF2. Response at RF3.
1	0	1	0	A	Command not executed at RF1 and RF3. Response channel determined by antenna selector.
1	1	0	0	C	Command not executed at RF2 and RF3. Response channel determined by antenna selector.
1	1	1	0	E	Command executed at RF1, RF2 and RF3. Response channel determined by antenna selector.

24.5.7.7 Responses to MSP Access Commands

During response to a MSP Access command either data received from MSP via SPI or an Error Code is reported (see [Figure 24-78](#) and [Figure 24-79](#)).

If during a MSP Access execution a problem occurs, so that the requested information cannot be delivered by the microcontroller (no Data Out Command executed), the status MSP Access Failed is returned by the transponder (see [Table 24-85](#)).

If the MSP detects any problem during execution of SPI commands, an Error Code should be sent to the PC with the Data Out Command together with the Status Code Error Code available. This error code is sent during uplink. If the MSP detects no problems during MSP Access execution, data can be sent to the PC together with the status Data available.

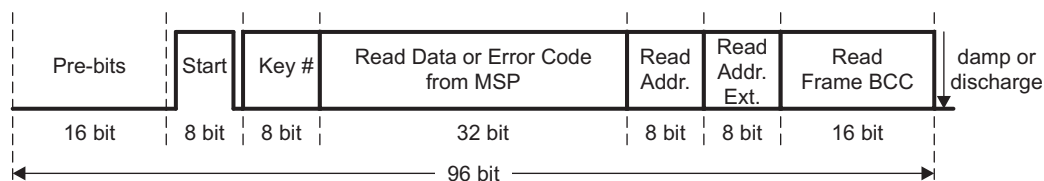
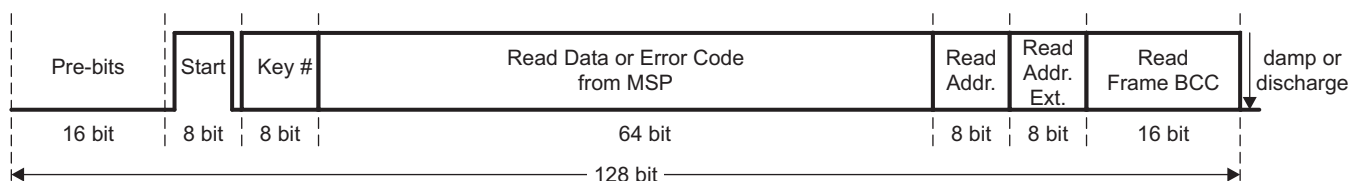
**Figure 24-78. Read Telegram of MSP Access With 32-bit MSP Data****Figure 24-79. Read Telegram of MSP Access With 64-bit MSP Data**

Table 24-85. Status Code of MSP Access Response

Status Code					Status Description of MSP Access Response
Binary				Hex	
		CHARGE_ON	CMD_OK		
0	0	0	0	0	MSP access failed. No data or error code available from MSP.
0	0	0	1	1	MSP access executed. Error code available from MSP.
0	0	1	1	3	MSP access executed. Data available from MSP.
0	0	1	0	2	Status codes not valid
0	1	0	0	4	
0	1	0	1	5	
0	1	1	0	6	
0	1	1	1	7	
1	0	0	0	8	
1	0	0	1	9	
1	0	1	0	A	
1	0	1	1	B	
1	1	0	0	C	
1	1	0	1	D	
1	1	1	0	E	
1	1	1	1	F	

24.6 3D LF Wake Receiver

24.6.1 Architecture

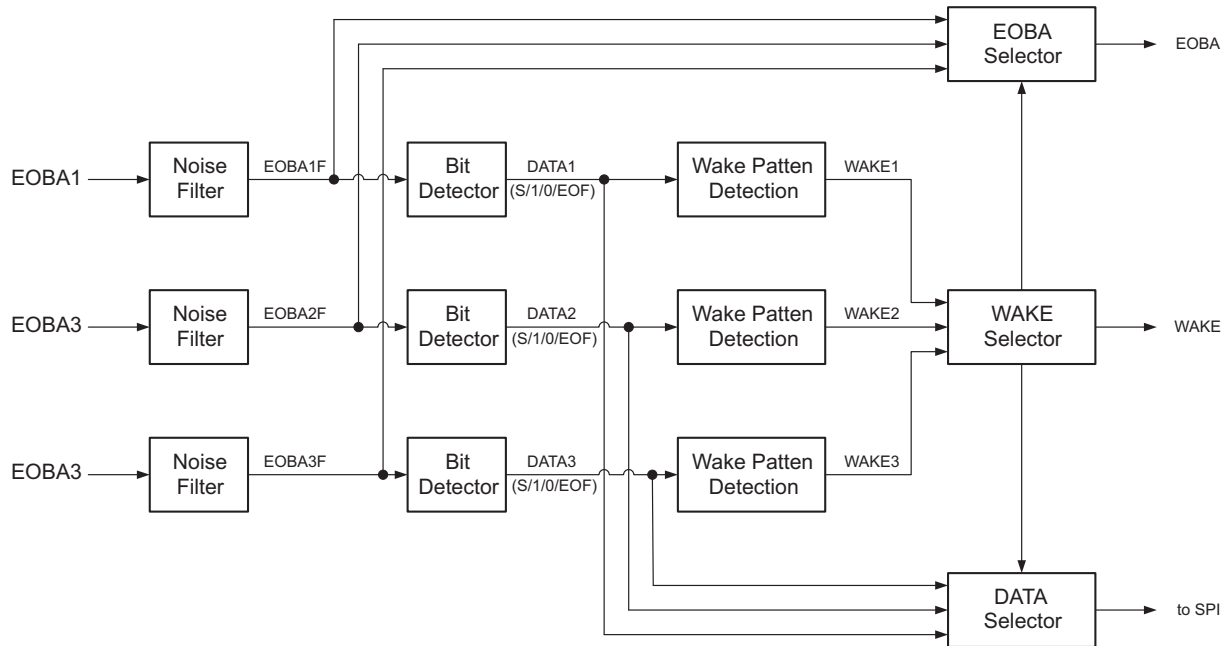


Figure 24-80. 3D LF Wake Receiver Architecture

Block and signal description in [Figure 24-80](#):

EOBAX = Digital low frequency input data

Noise Filter = Digital Noise Rejection Filter

EOBAXF = Filtered EOBAX signal

Bit Detector = Decides for S-, 1-, 0-or E-Bit signal based on bit timing thresholds

Wake Pattern Detection = Each channel has a dedicated wake pattern detection

Wake Selector = Enables EOBA and Data selector output once a valid wake pattern is detected

The 3-dimensional (3D) low frequency (LF) wake receiver comprises three channels that are used to receive and process signals from the three associated antenna circuits. All 3 channels are of identical architecture containing an automatic gain control, voltage limiter, noise rejection filter, bit detector, wake pattern detector, resonant frequency trimming and batteryless LF passive mode function.

24.6.2 Polling Systems

The Texas Instruments LF Wake-Up Mode Device Family is highly optimized for Polling Systems where a reader is transmitting a short wake pattern periodically. To achieve lowest energy consumption the LF transmitter on time is reduced to a minimum as the wake receiver requires only a ultra short wake burst and a wake pattern length of 3 or 7 bits (Start of Frame + 6 bits). The ASK modulated signal further reduces the energy consumption.

Even with very short wake patterns the RF430F59xx device family has a outstanding noise performance by adding additional wake criteria to the wake pattern detection. Not only the wake pattern sequence needs to be valid also the bit timing thresholds need to match with the device configuration. 6 configurable bit timing thresholds for the min and max bit timings of the Start bit, Low bit and High bit can be selected. A wake condition is only triggered for a wake pattern sequence match, correct bit timing thresholds, and correct wake burst length.

The first LF telegram usually does not implement anticollision and every RF430F59xx device in LF range responds with a short UHF acknowledge. A second LF telegram must follow to enable system anticollision by transmitting, for example, a device ID. Only the RF430F59xx device with a matching device ID responds. In a third step, the device anticollision together with a localization (RSSI) can be executed.

24.6.3 Triggered Systems

Triggered systems usually implement higher wake pattern length as the energy consumption is less critical to the system. The AES device family is capable to increase the wake pattern length up to 24 bits with each bit defined by a on and off phase. By applying a long wake pattern an anticollision could already be executed with the first LF telegram as the device ID can be part of the wake pattern.

24.6.4 Wake Pattern

LF passive mode interface: LSbyte first and LSBit first

LF Wake-Up Mode Interface: LS byte first and MS bit first

Wake Pattern Configuration through LF Interface.

Example:

Reader command: 010E8402C840F10708F1FFFFE890080A75

LF program page 7: F10708F1FFFFE89008

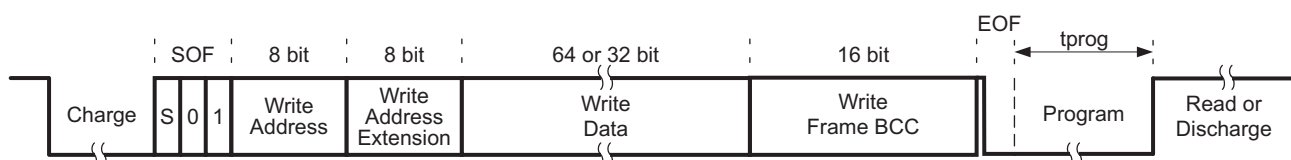


Figure 24-81. Downlink Telegram of Program Encryption Key AES K_1

Table 24-86. Program Encryption Key AES K1 Communication Details

LF Downlink Data	hex	F10708F1FFFFE890	
Write Address Write Address Extension	hex	F107	1111 0001 0000 0111
		Extension bit	1
		Bank	111 Bank 7
		Command Flags	00 General cmd
		Command	01 Program
		Extension bit	0
		Page	000 0111 Page 7
Page Data	hex	Page data	LSByte MSByte 08F1FFFF
		Resulting Page content	MSByte LSByte FFFFFF108
		Wake Pattern	FFFFFF1
		High Data Rate	0
		Noise Rejection Filter	00 20us
		NRF Enable	1 Enabled
		Wake A Length	000 4 bit
BCC	hex	E890	
LF Uplink Data	hex	1301020300F110	
Key Number	hex	13	
Serial number	hex	01020300	
Read Address Read Address Extension	hex	F110	1111 0001 0001 0000
		Extension bit	1
		Bank	111 Bank 7
		Page mutual	0 General access
		LF off	0 General access
		Program lock	0 General access
		Command executed	1 Executed
		Extension bit	0
		Action code	001 0000 Action 16
New AES K ₁	hex	0f0e0d0c0b0a09080706050403020100 (byte inverse)	

24.6.5 Data Reception

TO BE ADDED

24.6.6 Noise Rejection Filter

To further improve the noise immunity of the wake receiver a digital controlled noise filter is embedded into the low frequency wake receiver. The noise filter can be configured in page 7 (see 3.9 Wake Pattern A/B Configuration MEM[7:7]) to optimize the system for different environments.

The noise rejection filter adds a constant delay of 3 clock cycles (60µs) from the incoming signal to the processed signal.

Figure 24-82 gives an overview about the functionality of the noise rejection filter in the various configurations.

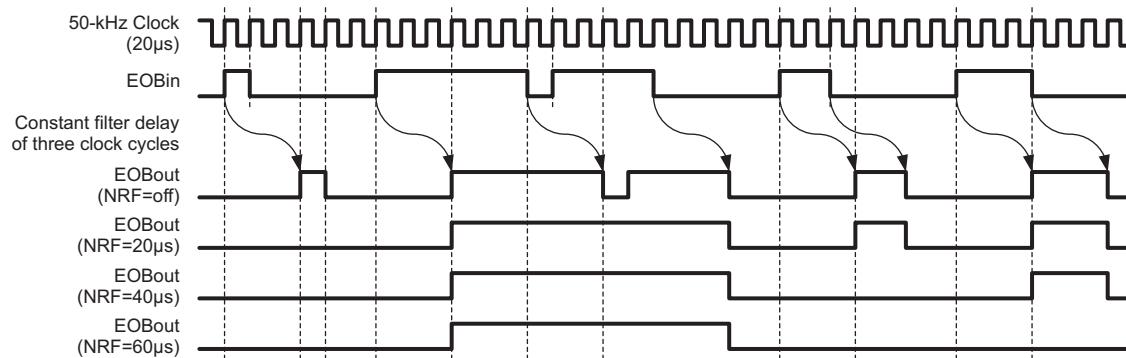


Figure 24-82. Noise Rejection Filter Influence to LF Data

24.6.7 Wake Receiver Prioritization

If 2 or 3 wake receiver channels detect a valid wake pattern within one sampling clock period following priority is used, regardless of RF input voltage:

RF3 > RF2 > RF1

Further data decoding is done only on the selected channel.

24.6.8 LF Wake-Up Mode Functions

24.6.8.1 Data Coding and Data Rate

The 3D wake receiver data decoding uses a bit coding equivalent to the transponder part, but not utilizing the automatic adaption of the data rate. The bit timings are configured based on the content of page 13.

The data decoding module works throughout the wake pattern and also decodes any data followed by the wake pattern. The demodulated data is buffered and available by the SPI interface.

24.6.8.2 LF Wake-Up Mode Characteristics

The following [Figure 24-83](#) shows a timing diagram for the 3D Low Frequency receiver. All relevant timings are implemented to guarantee a reliable function in the application. A wake burst of t_{WAKE} must be transmitted before the wake pattern followed by the wake pattern itself.

24.6.8.3 Wake Pattern Demodulator

Wake Pattern detection is judged at length (t_{bitS_pe} , t_{bitH_pe} , and t_{bitL_pe}) of the received bit (EOBA). The EOF bit after wake pattern is optional and initiates a RSSI measurement.

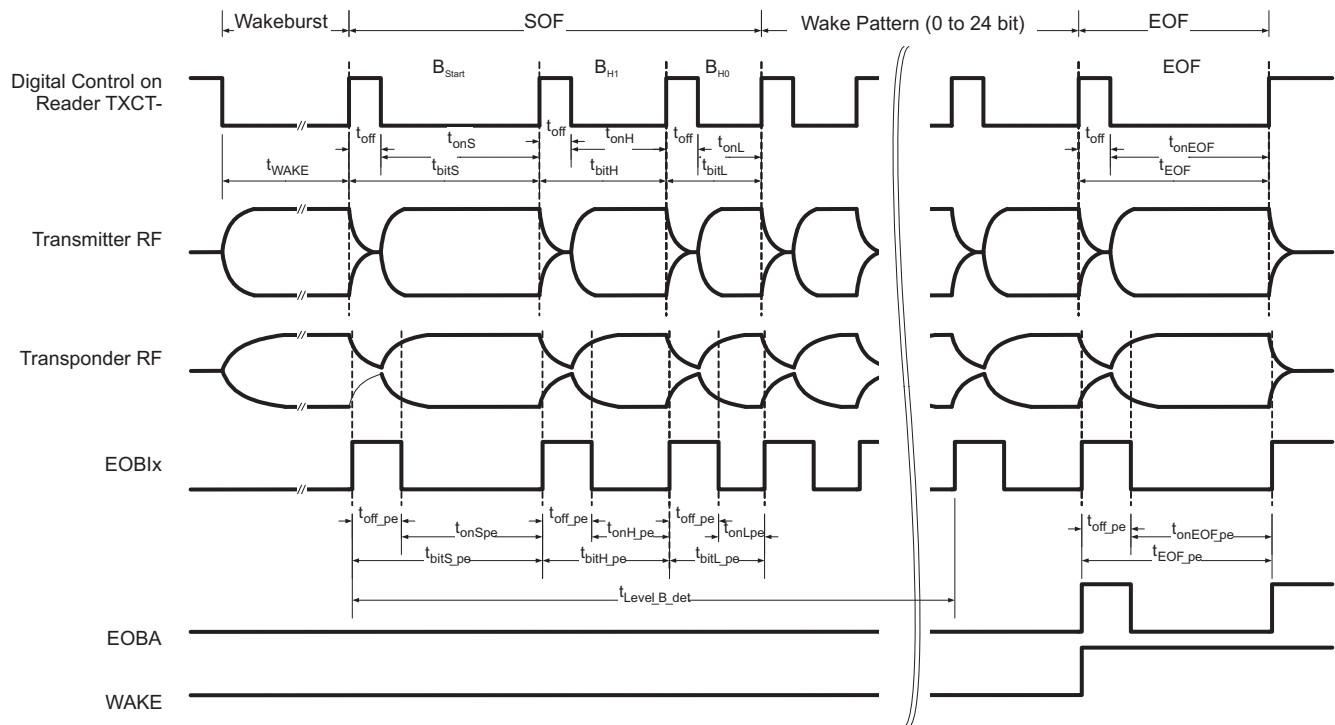


Figure 24-83. Timing for Wake Pattern

Table 24-87. Timing Parameter for Wake Pattern Detection⁽¹⁾

Judgment Bit	Sign	MIN	TYP	MAX	Unit
0	t_{bitL_pe}	t_{Lmin}		t_{Lmax}	μs
1	t_{bitH_pe}	t_{Hmin}		t_{Hmax}	μs
S	t_{bitS_pe}	t_{Smin}		t_{Smax}	μs

⁽¹⁾ Low bit = $t_{Lmin} \leq t_{cycle} \leq t_{Lmax}$
 High bit = $t_{Hmin} \leq t_{cycle} \leq t_{Hmax}$
 Start bit = $t_{Smin} \leq t_{cycle} \leq t_{Smax}$
 EOF = $t_{Smax} \leq t_{cycle}$

The low bit, high bit, and start bit detection thresholds for wake pattern detection are stored in the EEPROM memory (see Figure 24-84).

The following parameters can be set: t_{Lmin} , t_{Lmax} , t_{Hmin} , t_{Hmax} , t_{Smin} , t_{Smax}

NOTE: It is allowed to set $t_{Lmax} > t_{Hmin}$ and $t_{Hmax} > t_{Smin}$.

The expected data (wake pattern) determines the bit detection range.

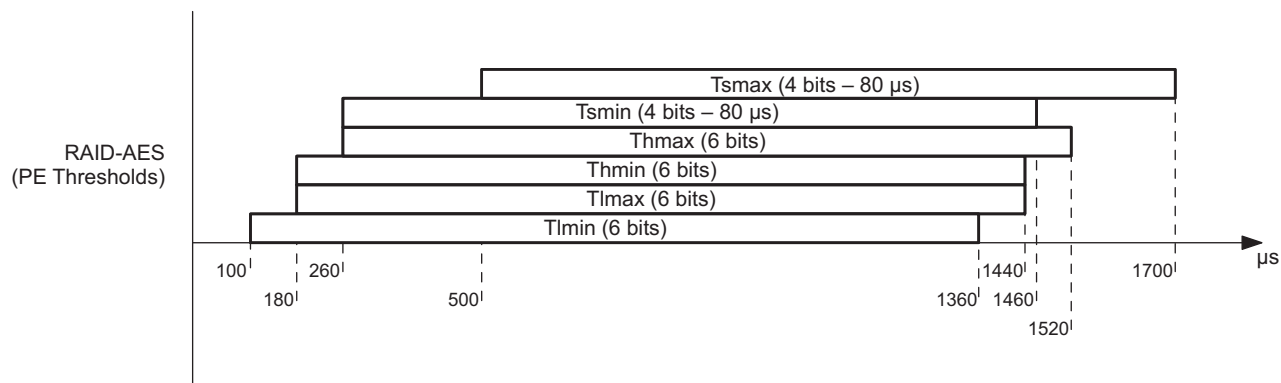


Figure 24-84. LF Wake-Up Mode Bit Thresholds Range

Priorities at Wake Pattern detection within single WDE:

If both wake pattern A and B are detected, both status bits are set in PCU_read_status response

Priorities at Wake Pattern detection of all WDE:

If 2 or 3 WDE detect within one sampling clock period, a valid wake pattern following priority is used, regardless of RF input voltage: RF3 > RF2 > RF1.

WDE Amplifier Bit Timing

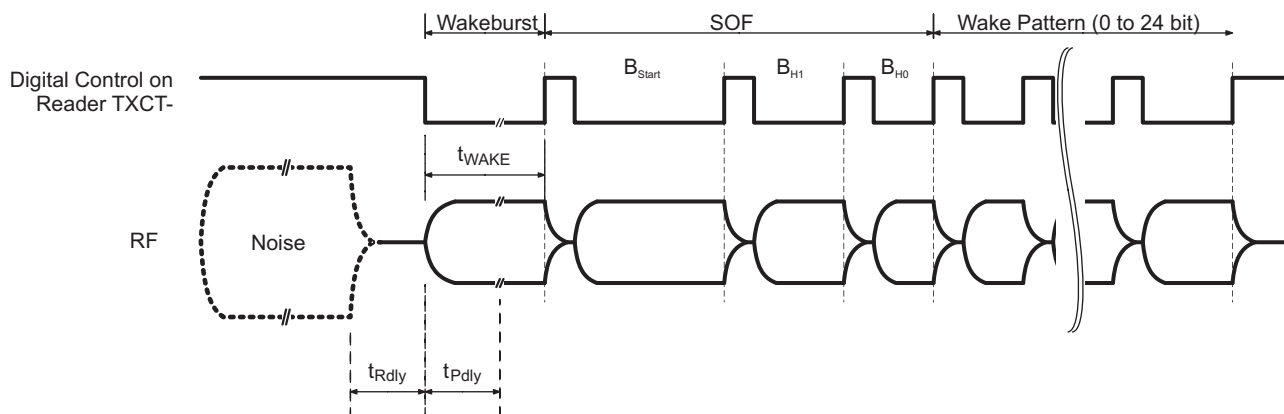


Figure 24-85. WDE Resettling time

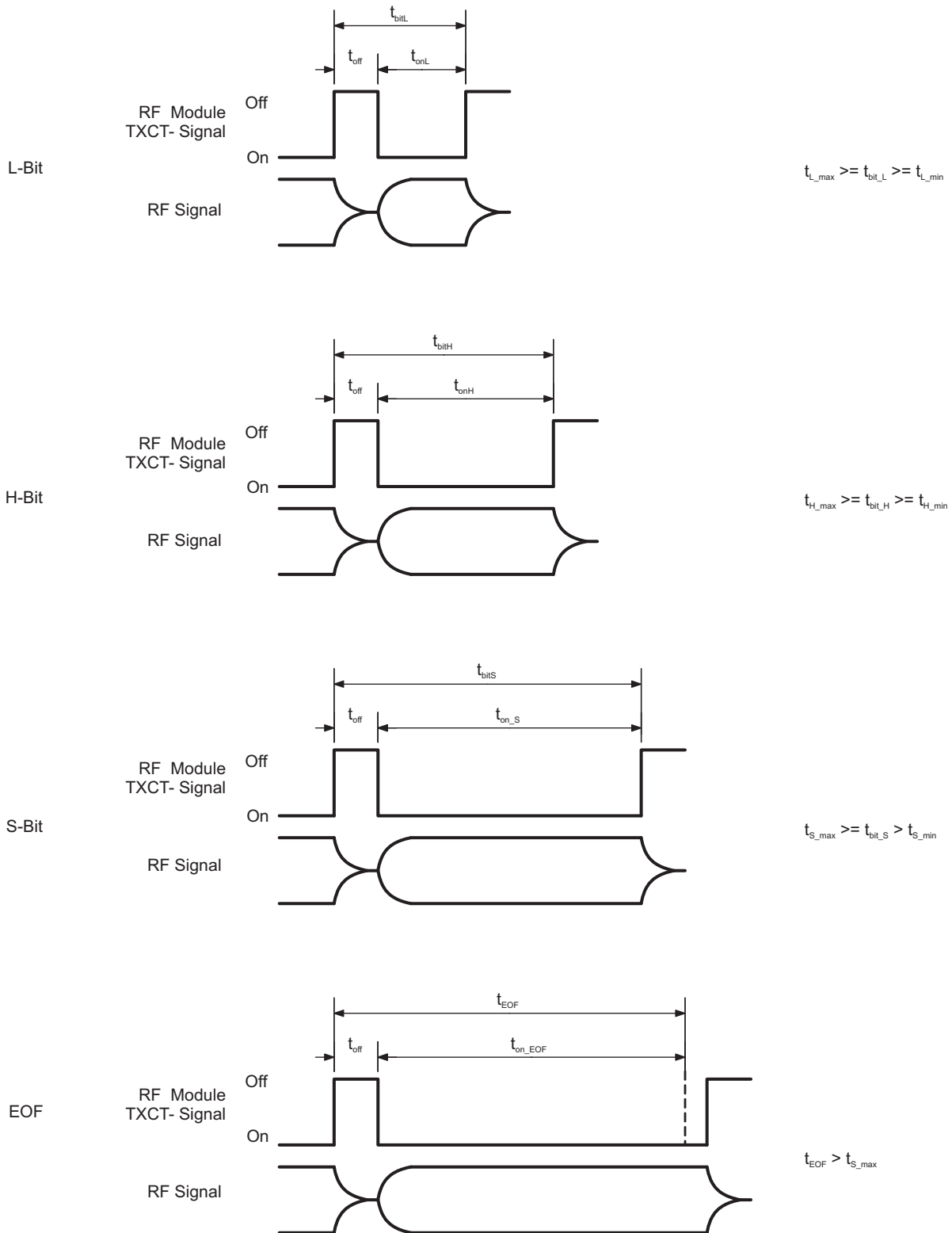


Figure 24-86. Burst Length Coding (LF Wake-Up Mode)

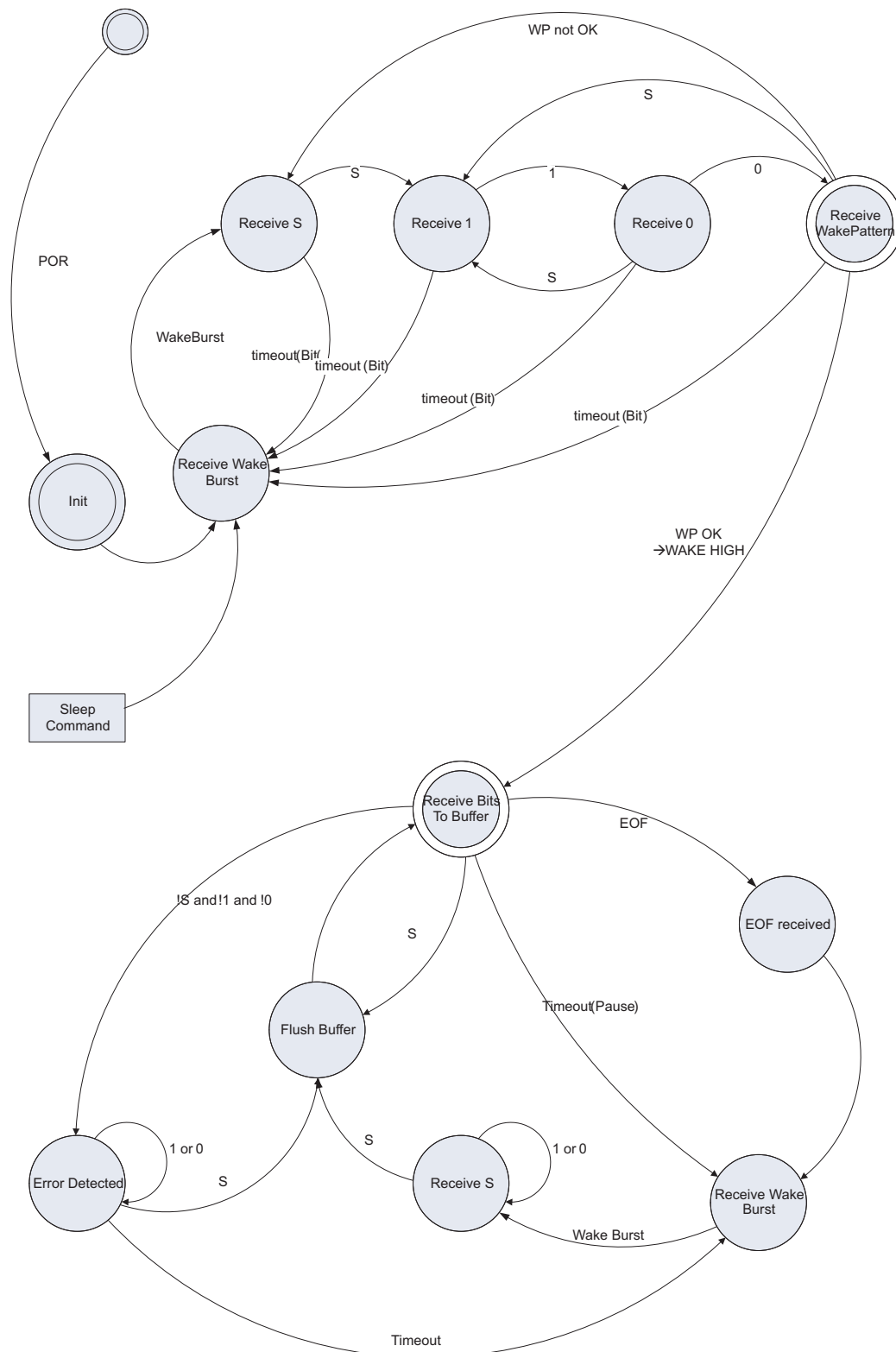


Figure 24-87. LF Wake-Up Mode Bit Reception Flow

24.6.8.4 Data Decoding After Wake

After wake detection, the transmitted bits are received and stored into a 16 bit buffer. The bit reception flow is shown in Figure 24-88. Following rules apply:

- After wake, all bits are stored in the buffer.
- With the reception of a S-bit, buffer is flushed and data decoding is restarted.
- With reception of EOF or an error detection, data decoding is stopped.
- With buffer overflow, the error flag is asserted.

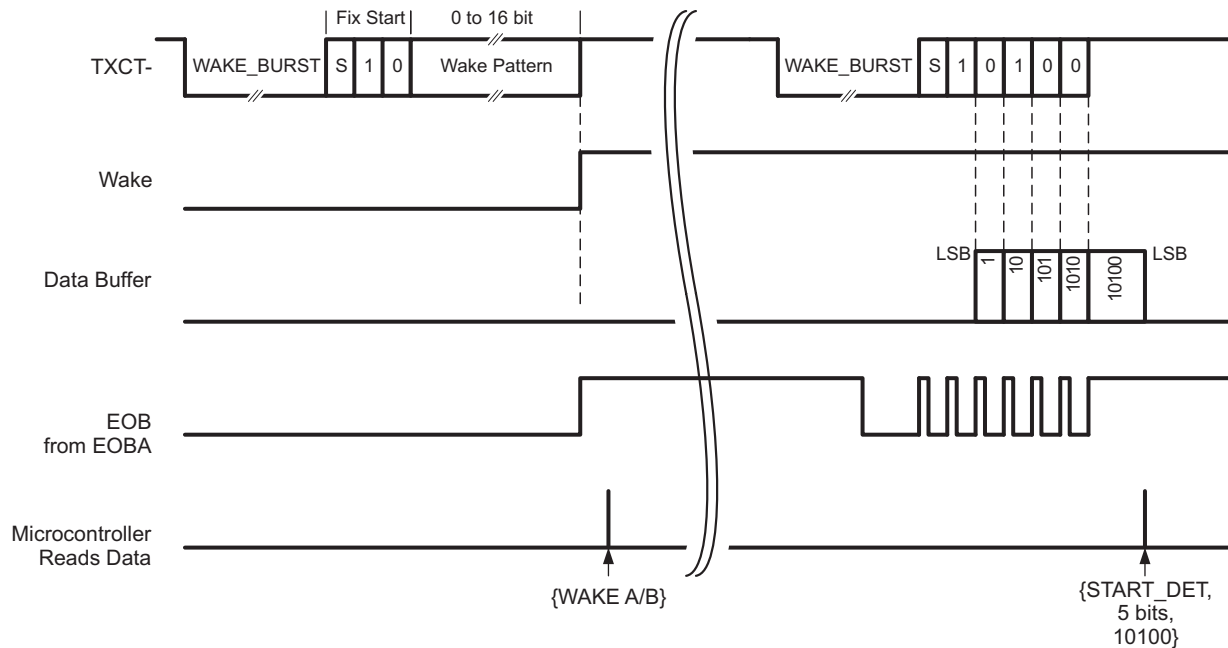


Figure 24-88. LF Wake-Up Mode – Wake and Command Reception

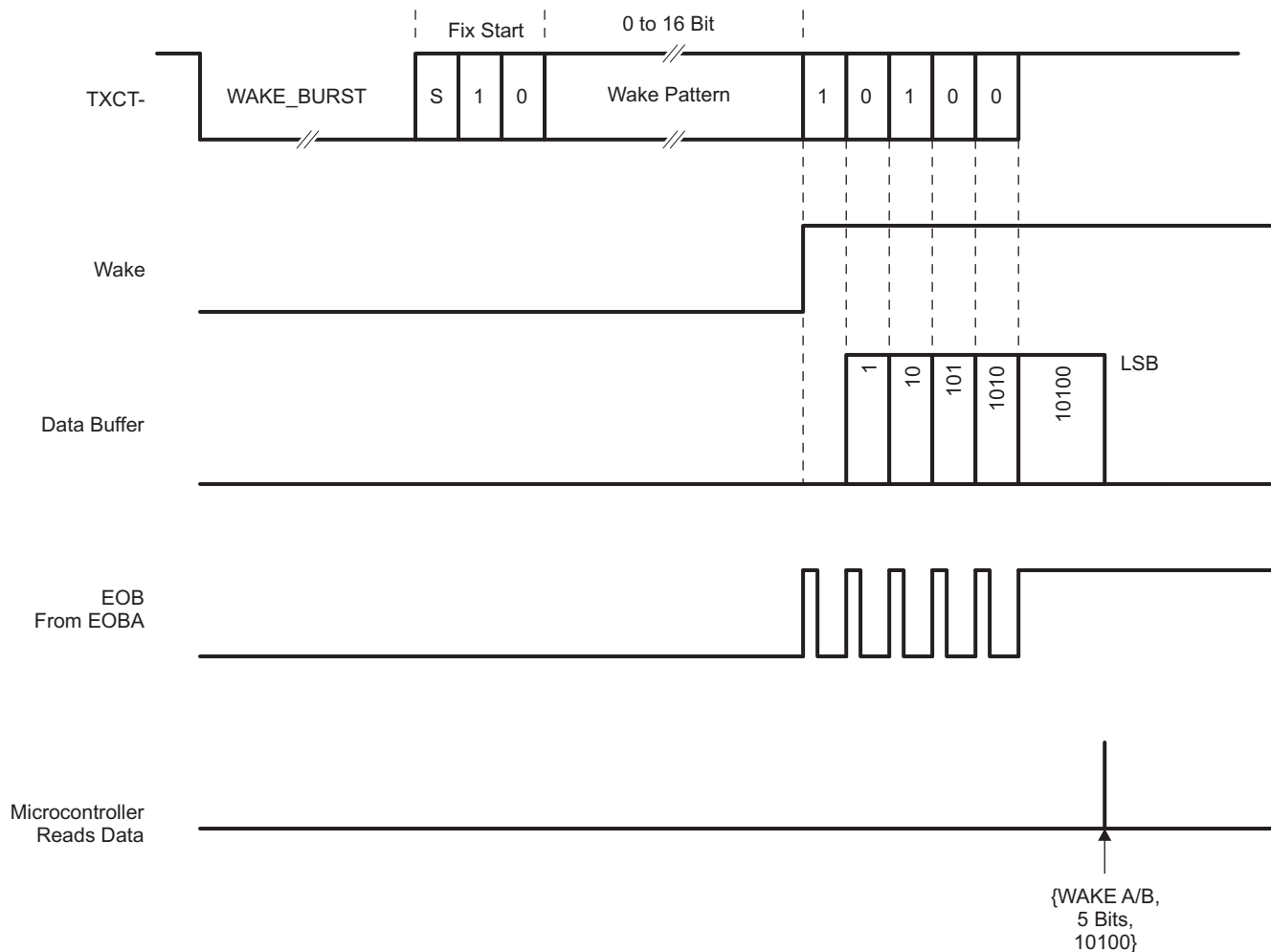


Figure 24-89. PE – Wake With Additional Data Reception

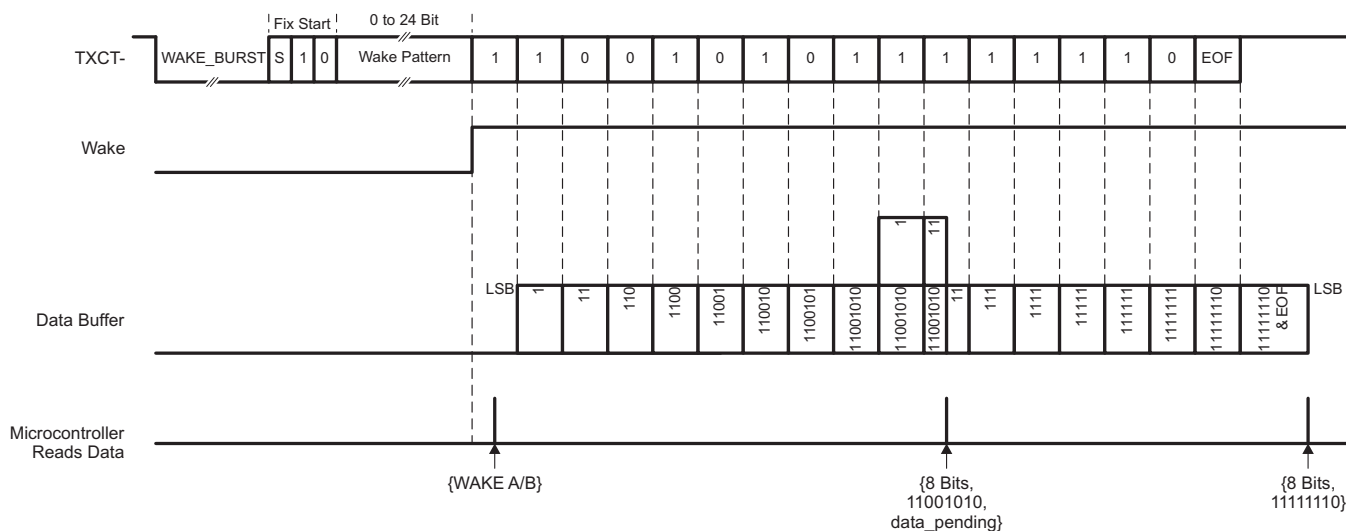


Figure 24-90. PE – Input Buffer Readout Example 1 – Data Pending

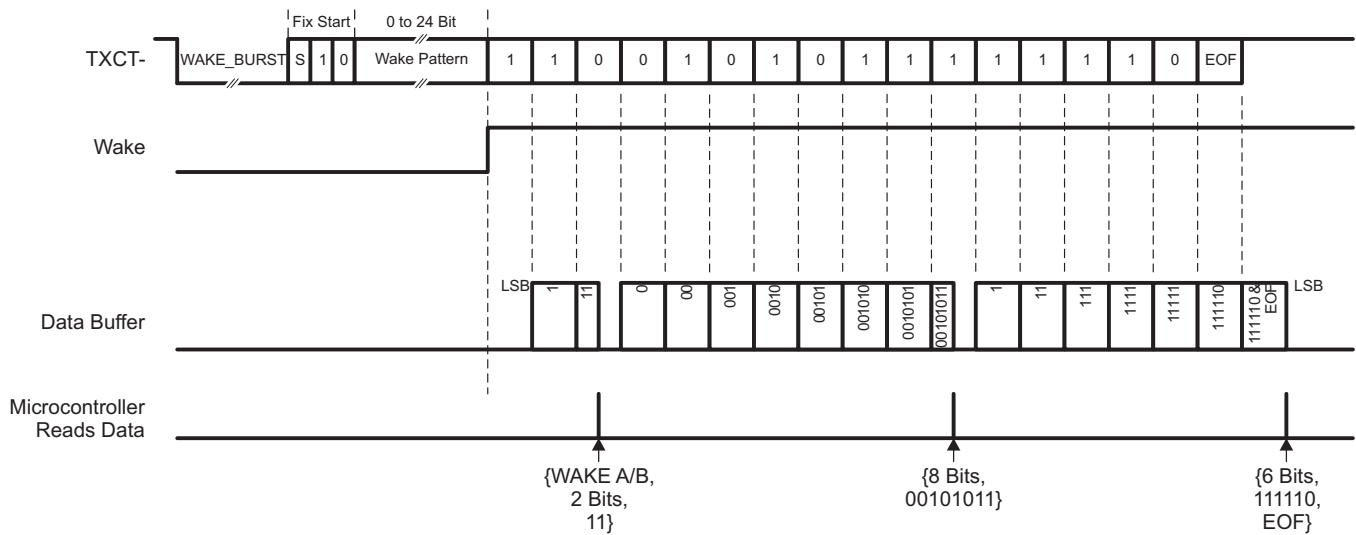


Figure 24-91. PE – Input Buffer Readout Example 2 – Late Read After Wake

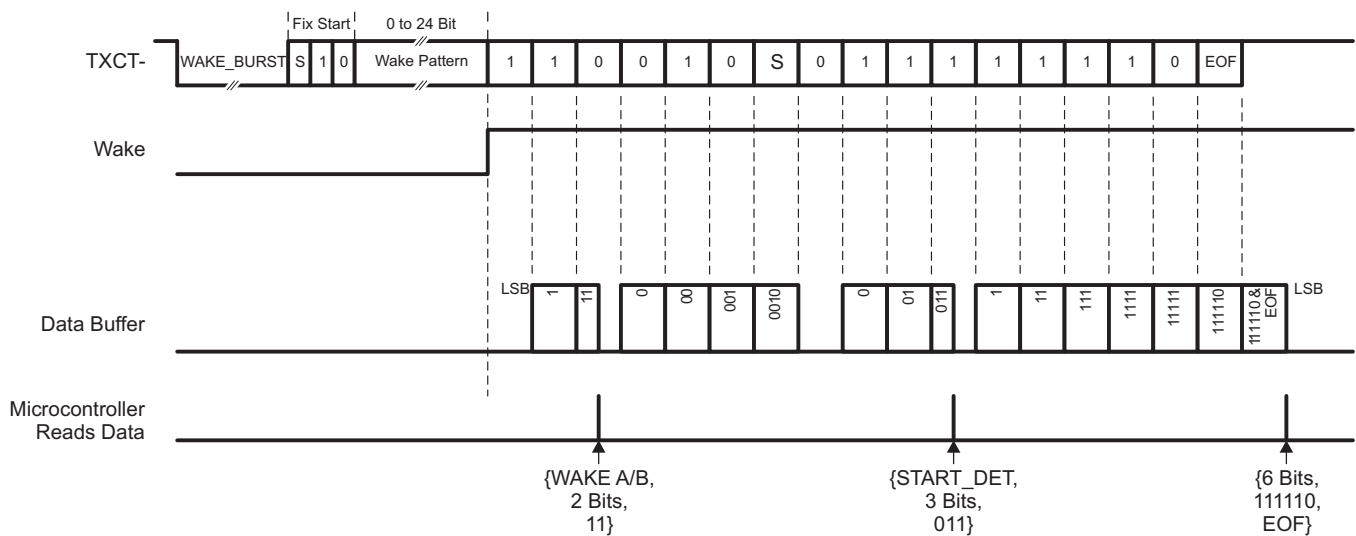


Figure 24-92. PE – Input Buffer Flush on S-Bit Reception

24.6.9 Switch Interface Functions

The switch interface provides eight inputs for connecting push buttons that toggle from open to ground. Therefore the device inputs have internal pullup resistors connected to battery supply.

The switch interface asynchronously detects a pressed switch and starts the sampling of the switches with a given, configurable sampling frequency f_{sw_sampl} . After two consecutive samples for a switch, the device internally recognizes the switch as pressed and sets the WAKE-signal to the external microcontroller.

The sampling frequency f_{sw_sampl} is configured by the SWITCH_SAMPLE_CONFIG value in the EEPROM memory (see Section 24.3.7).

A button can be disabled by applying the Write_Stuck_Mask bit together with a sleep command executed by the PCU Control command via SPI. All switches that are detected as pressed are marked as stuck and are no longer evaluated as long as they are not released. Detection of the release of a stuck button does not wake the LF front end. Detection of the release of a button (not masked) does wake the LF front end.

24.6.9.1 Sampling Clock

The switch uses the RC oscillator of the WDE. The oscillator must be started by the switch interface if WDE is disabled.

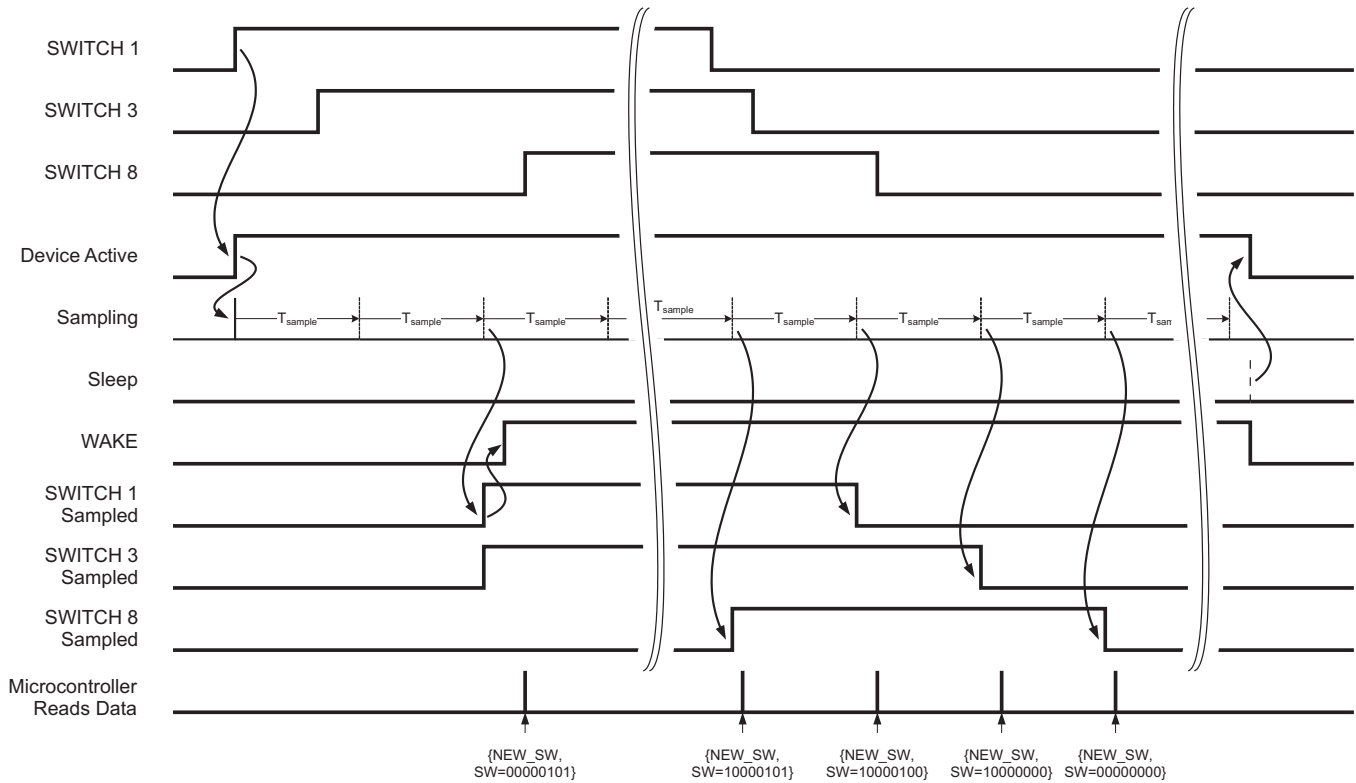


Figure 24-93. Switch Sampling Example

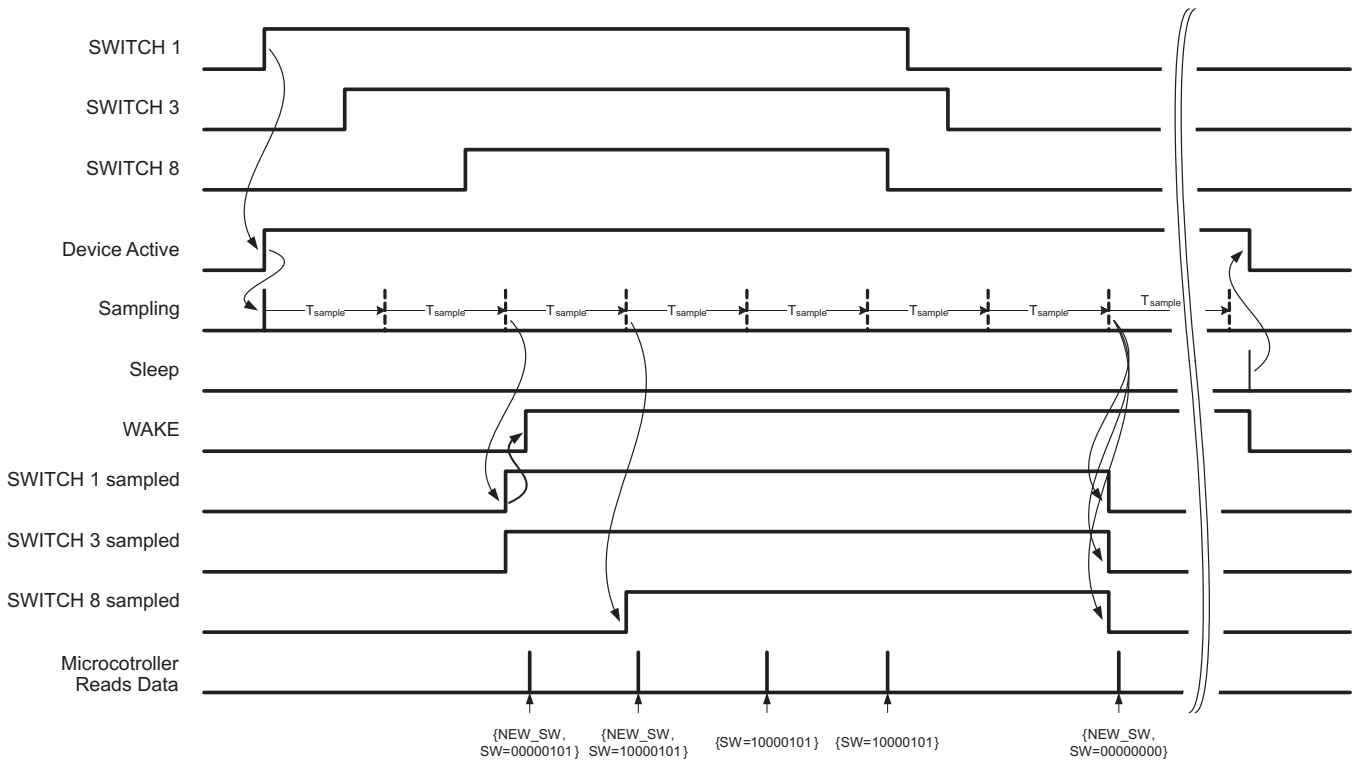


Figure 24-94. Switch Sampling – Readout With and Without New Switch Event

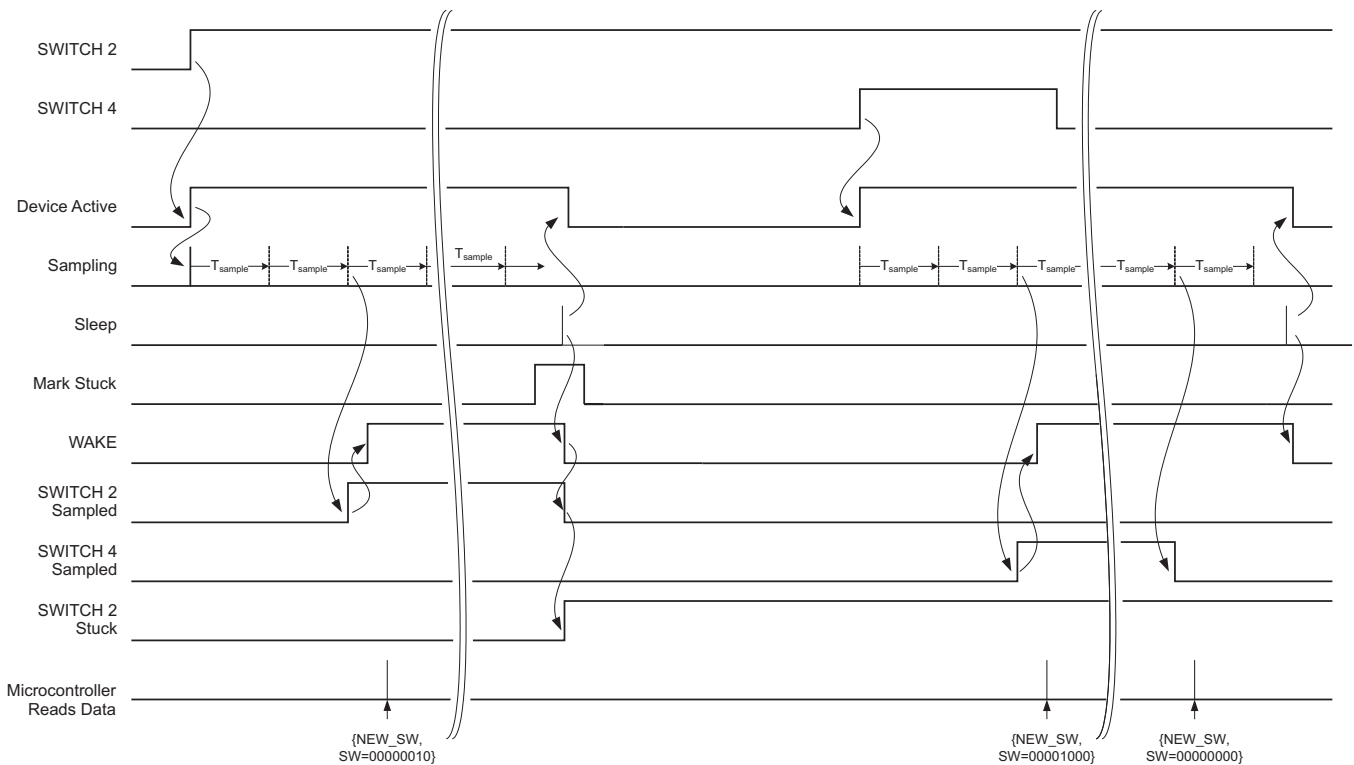


Figure 24-95. Switch Sampling – Stuck Button

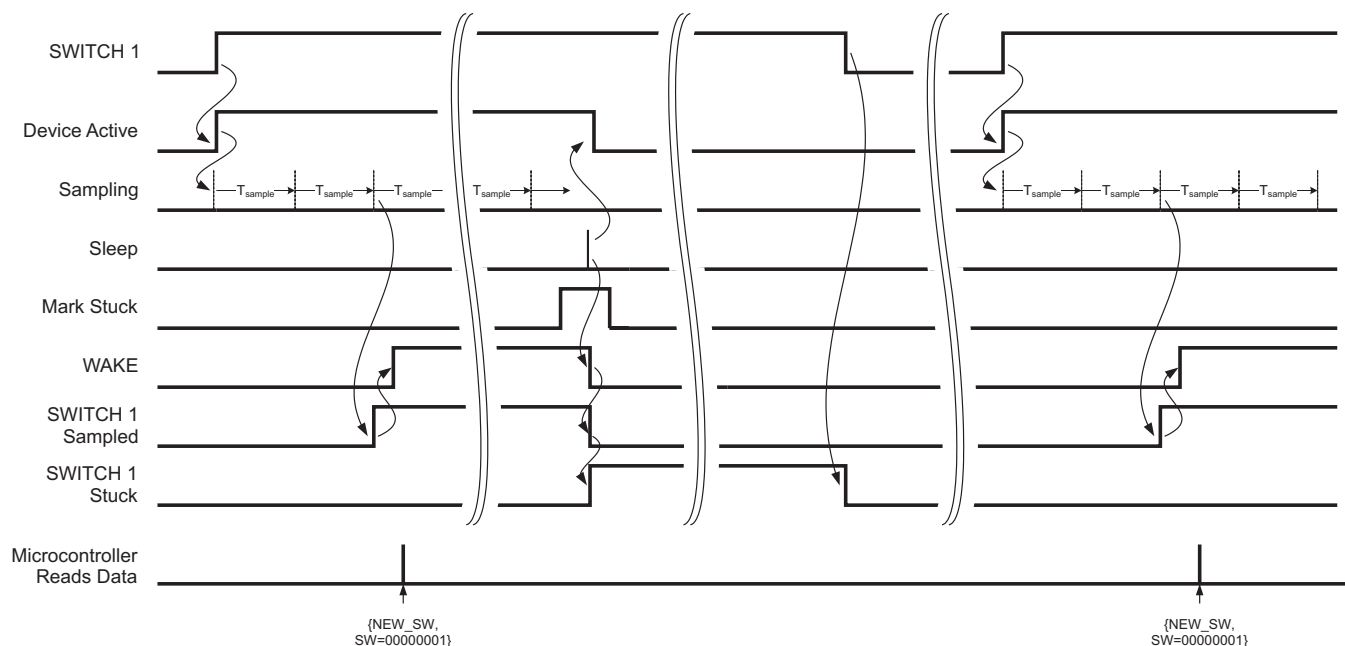


Figure 24-96. Switch Sampling – Stuck Button Released

24.6.10 RSSI Measurement

RSSI measurement is used to implement a RTLS function. Therefore, the device is performing a measurement of input voltage on RF1, RF2, and RF3 in parallel and stores the measurement results to be available via SPI. RSSI measurement is available any time, even if WAKE is low.

The RSSI measurement implements a logarithmic transfer function described as shown in Equation 39.

$$\text{RSSI}(U_{\text{INpp}}) = \text{Gain} \times \ln(U_{\text{INpp}}) + \text{Offset} \quad (39)$$

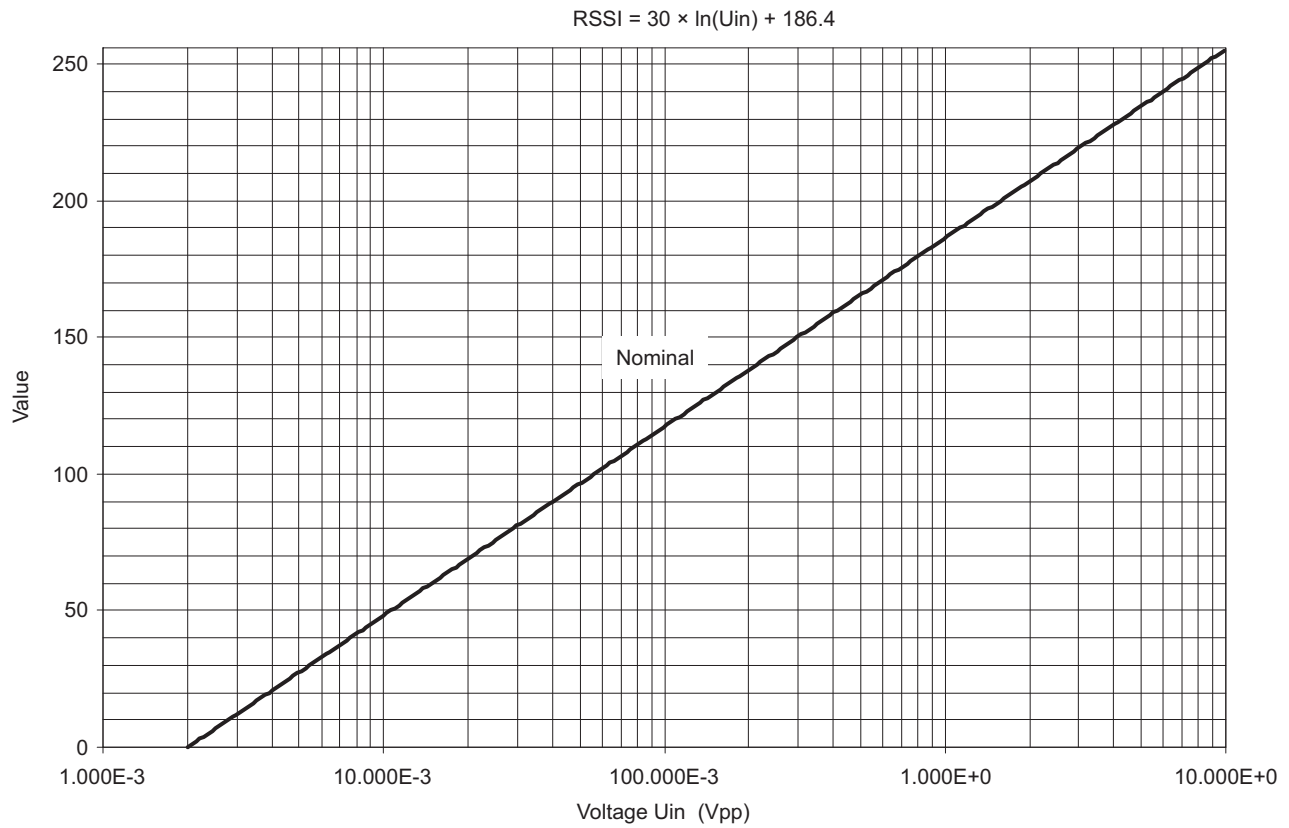


Figure 24-97. RSSI Transfer Function

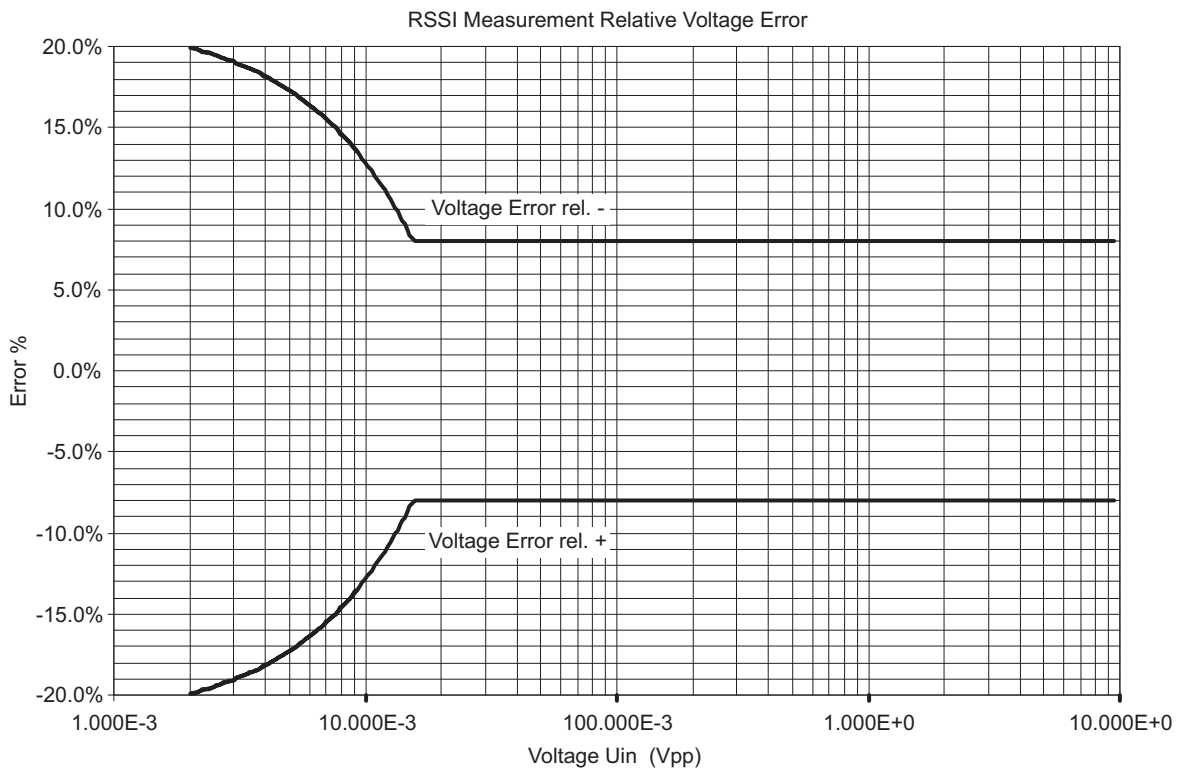


Figure 24-98. Voltage Error RSSI Measurement

24.7 Battery Charge Function

For a batteryless operation mode of the RF430F59xx devices, a battery-charge function is implemented. The battery charge is initiated by a transponder action command or is enabled via IMMO_CHARGE flag in MEM[7:5] (see [Section 24.3.7](#)).

24.8 Microcontroller Interface Pins

24.8.1 WAKE

The external wake signal is assert under the following conditions:

- After reception of a valid wake pattern on WPD and WDE circuit
- After a successful sampled switch event
- If a valid MSP Access command is received
- VBAT reset
- Watchdog reset cause by firmware reset

The external wake must be de-asserted at the end of the reception and execution of the RAID control commands with Sleep execution.

LF passive mode function does not affect the WAKE signal.

24.8.2 EOB

The EOB signal can be switched to different sources to monitor the LF envelope for both transponder and LF passive-mode functions. During sleep, the output is driven to low. With the assertion of WAKE, the EOB pin follows the internal EOBA signal of the WDE circuit. By transponder configuration bit WTT_ON, the EOB-signal of the transponder AFE is switched to the EOB-pin.

The external signal is buffered by VBAT. Therefore, the presence of V_{BAT} is necessary to perform write-timing-tests.

The signal source of the EOB-pin can be switched by the RAID_Control command either to EOB (from the transponder AFE), EOBA (from WDE), Buffer-Read-Request flag (from the PE bit decoder and switch interface) or it can be disabled. A selection via command overrides the WTT_ON configuration bit.

Buffer Read Request (BRR) flag: The BRR flag is set high under any of following conditions:

- A new switch event is detected
- The input buffer from a MSP Access command is available to the external microcontroller
- The PE input buffer is filled with 8 bits
- The EOF_DET flag is set for the PE input buffer
- The ERROR_DET flag is set for the PE input buffer

The flag is reset to low if all conditions are cleared.

24.8.3 CLK_OUT

The CLK_OUT pin drives a timing reference for the external microcontroller. The signal which is routed to the CLK_OUT terminal is selected by special RAID control commands via SPI and can be set as:

- A 2-kHz clock with starts with a delay as shown in [Section 24.3.4.3](#).
- The sampling clock of the switch interface.
- The regenerated clock from the transponder AFE.

EOB and CLK_OUT are low if WAKE is low. This functionality is essential if supply of external microcontroller is controlled by WAKE signal.

24.9 Reset Functions

24.9.1 Power-On Reset Circuit

24.9.1.1 Power-On Reset Circuit

The power-on-reset circuit supervises the VCL and VBAT voltages.

24.9.1.2 RCLK Watchdog

The RF430F59xx devices include a watchdog circuit, supervising the clock regenerator output signal (RCLK). If EOB is high and the clock is lost for t_{wdg} , the watchdog discharges VCL to at least the reset threshold level (VCL_{th}) so that a reset occurs.

The watchdog is disabled during power-on reset, in test mode, and in RKE mode. After reset, the watchdog is enabled whenever the EOB signal is high in LF passive mode or in RKE mode, if the oscillator start function is initiated.

24.9.1.3 SPI Timeout

The LF front end supplies a SPI timeout which reinitializes the LF front end if no regular operation flow is executed. The SPI timeout is restarted with each access to the switch status (SPI command Read_Status and Read_Status – short form) or a specific command (SPI command RAID_Control SPI timeout_reset) and triggers after $t_{SPI\ timeout}$. The device is reinitialized to the same state as after a power-on sequence. If WAKE is set high because of wake pattern detection or switch I/F, SPT timeout is started with WAKE. If WAKE is set high because of MSP access, SPI timeout is started with the first SPI command.

24.10 RSSI

24.10.1 RSSI Vector Calculation Formulas

The 8-bit digital RSSI output provides a logarithmic value of the antenna input voltage and is calculated as shown in [Equation 40](#).

$$RSSI_{digital} = RSSI_{gain} \times \ln(V_{RF}) + RSSI_{offset} \quad (40)$$

The antenna input voltage can be calculated from the digital RSSI value as shown in [Equation 41](#).

$$V_{RF\ channel} = \text{Root}(e^{(RSSI_{digital} - RSSI_{offset}) / RSSI_{gain}}) \quad (41)$$

As the vector addition requires V_{RF}^2 values, [Equation 41](#) can be optimized to [Equation 42](#).

$$V_{RF\ channel}^2 = \text{Root}(e^{(RSSI_{digital} - RSSI_{offset}) / 2 / RSSI_{gain}}) \quad (42)$$

The vector can be calculated as shown in [Equation 43](#).

$$V_{RF} = \text{SquareRoot}(V_{RF\ channel\ x}^2 + V_{RF\ channel\ y}^2 + V_{RF\ channel\ z}^2) \quad (43)$$

24.10.2 RSSI Vector Calculation Implementation

24.10.2.1 Look-Up Table Calculation in C

```
//#include "io430.h"
#include <math.h>
//VRF channel 2 = Root (e^(RSSIdigital-RSSIOffset, 2/RSSIGain)
//Table for RSSIgain = 28, RSSIOffset = 180
float fTblRSSI[256] = {
0.00000261 , 0.00000280 , 0.00000301 , 0.00000323 , 0.00000347 , 0.00000373 , 0.00000400 ,
0.00000430 , 0.00000462 , 0.00000496 , 0.00000533 , 0.00000572 , 0.00000614 , 0.00000660 ,
0.00000709 , 0.00000761 , 0.00000818 , 0.00000878 , 0.00000943 , 0.00001013 , 0.00001088 ,
0.00001169 , 0.00001255 , 0.00001348 , 0.00001448 , 0.00001555 , 0.00001670 , 0.00001794 ,
0.00001927 , 0.00002069 ,
0.00002223 , 0.00002387 , 0.00002564 , 0.00002754 , 0.00002958 , 0.00003177 , 0.00003412 ,
0.00003664 , 0.00003936 , 0.00004227 , 0.00004540 , 0.00004876 , 0.00005237 , 0.00005625 ,
0.00006041 , 0.00006489 , 0.00006969 , 0.00007485 , 0.00008039 , 0.00008635 , 0.00009274 ,
```

RSSI

www.ti.com

```

0.00009961 , 0.00010698 , 0.00011490 , 0.00012341 , 0.00013255 , 0.00014236 , 0.00015290 ,
0.00016422 , 0.00017638 ,
0.00018944 , 0.00020347 , 0.00021853 , 0.00023471 , 0.00025209 , 0.00027076 , 0.00029081 ,
0.00031234 , 0.00033546 , 0.00036030 , 0.00038698 , 0.00041563 , 0.00044641 , 0.00047946 ,
0.00051496 , 0.00055309 , 0.00059404 , 0.00063802 , 0.00068526 , 0.00073600 , 0.00079049 ,
0.00084902 , 0.00091188 , 0.00097940 , 0.00105192 , 0.00112980 , 0.00121345 , 0.00130330 ,
0.00139980 , 0.00150344 ,
0.00161476 , 0.00173432 , 0.00186273 , 0.00200065 , 0.00214878 , 0.00230788 , 0.00247876 ,
0.00266229 , 0.00285941 , 0.00307112 , 0.00329851 , 0.00354274 , 0.00380505 , 0.00408678 ,
0.00438937 , 0.00471436 , 0.00506342 , 0.00543833 , 0.00584099 , 0.00627346 , 0.00673796 ,
0.00723685 , 0.00777267 , 0.00834817 , 0.00896628 , 0.00963016 , 0.01034319 , 0.01110901 ,
0.01193154 , 0.01281497 ,
0.01376380 , 0.01478290 , 0.01587744 , 0.01705303 , 0.01831566 , 0.01967178 , 0.02112830 ,
0.02269267 , 0.02437287 , 0.02617747 , 0.02811569 , 0.03019742 , 0.03243327 , 0.03483468 ,
0.03741389 , 0.04018407 , 0.04315935 , 0.04635493 , 0.04978711 , 0.05347342 , 0.05743267 ,
0.06168506 , 0.06625231 , 0.07115773 , 0.07642635 , 0.08208506 , 0.08816275 , 0.09469045 ,
0.10170146 , 0.10923158 ,
0.11731924 , 0.12600572 , 0.13533537 , 0.14535579 , 0.15611813 , 0.16767734 , 0.18009241 ,
0.19342670 , 0.20774829 , 0.22313026 , 0.23965114 , 0.25739525 , 0.27645315 , 0.29692214 ,
0.31890667 , 0.34251897 , 0.36787955 , 0.39511787 , 0.42437296 , 0.45579413 , 0.48954177 ,
0.52578813 , 0.56471822 , 0.60653075 , 0.65143914 , 0.69967261 , 0.75147736 , 0.80711780 ,
0.86687794 , 0.93106280 ,
1.00000000 , 1.07404141 , 1.15356494 , 1.23897652 , 1.33071208 , 1.42923988 , 1.53506281 ,
1.64872102 , 1.77079464 , 1.90190677 , 2.04272663 , 2.19397298 , 2.35641783 , 2.53089032 ,
2.71828100 , 2.91954635 , 3.13571367 , 3.36788632 , 3.61724937 , 3.88507560 , 4.17273207 ,
4.48168702 , 4.81351744 , 5.16991704 , 5.55270497 , 5.96383507 , 6.40540581 , 6.87967107 ,
7.38905159 , 7.93614737 ,
8.52375089 , 9.15486141 , 9.83270023 , 10.56072719 , 11.34265830 , 12.18248468 , 13.08449299 ,
14.05328726 , 15.09381243 , 16.21137955 , 17.41169290 , 18.70087915 , 20.08551856 , 21.57267862 ,
23.16995010 , 24.88548582 , 26.72804221 , 28.70702407 , 30.83253253 , 33.11541663 , 35.56732869 ,
38.20078376 , 41.02922355 , 44.06708500 , 47.32987399 , 50.83424447 , 54.59808347 , 58.64060241 ,
62.98243514 , 67.64574328 , 72.65432931 , 78.03375810 , 83.81148737 , 90.01700784 , 96.68199379 ,
103.84046467 , 111.52895882 , 119.78671988 , 128.65589721 , 138.18176090 , 148.41293294 , 159.40163536 ,
171.20395678 , 183.88013868 , 197.49488293 , 212.11768200
};
float fVoltageX;
float RSSI_ConvertToVoltage(unsigned char ucValue)
{
    return fTblRSSI[ucValue]; //Voltage range is 0-15V
}
void CalcRSSI(void)
{
    unsigned char ucRSSI_X,ucRSSI_Y,ucRSSI_Z;
    float fVoltageY,fVoltageZ;
    //convert digital RSSI to voltage value

    ucRSSI_X = 225; //example values ! Need to be replaced by the real data
    ucRSSI_Y = 199; //example values ! Need to be replaced by the real data
    ucRSSI_Z = 116; //example values ! Need to be replaced by the real data

    fVoltageX = RSSI_ConvertToVoltage(ucRSSI_X);
    fVoltageZ = RSSI_ConvertToVoltage(ucRSSI_Y);
    fVoltageY = RSSI_ConvertToVoltage(ucRSSI_Z);

    fVoltageX += fVoltageY + fVoltageZ;
    fVoltageX = pow(fVoltageX,0.5);
}

```

24.10.2.2 Direct Calculation in C

```

float fVoltageX;
const double e = 2.718281828459;
#define RSSI_OFFSET 180
#define RSSI_MAGNITUDE 28
#define RSSI_MAGNITUDE_SQR 14

```

```

float RSSI_ConvertToVoltage(signed int siValue)
{
    float fVoltage,fRoot=1;

    fRoot/= RSSI_MAGNITUDE_SQR;
    fVoltage = pow(pow(e,siValue-RSSI_OFFSET),fRoot);

    return fVoltage;//Voltage range is 0-15V
}
void CalcRSSI(void)
{

    unsigned char ucRSSI_X,ucRSSI_Y,ucRSSI_Z;
    float fVoltageY,fVoltageZ;
    //convert digital RSSI to voltage value

    ucRSSI_X = 225; //example values ! Need to be replaced by the real data
    ucRSSI_Y = 199; //example values ! Need to be replaced by the real data
    ucRSSI_Z = 116; //example values ! Need to be replaced by the real data

    fVoltageX = RSSI_ConvertToVoltage(ucRSSI_X);
    fVoltageZ = RSSI_ConvertToVoltage(ucRSSI_Y);
    fVoltageY = RSSI_ConvertToVoltage(ucRSSI_Z);

    fVoltageX += fVoltageY + fVoltageZ;
    fVoltageX = pow(fVoltageX,0.5);

}

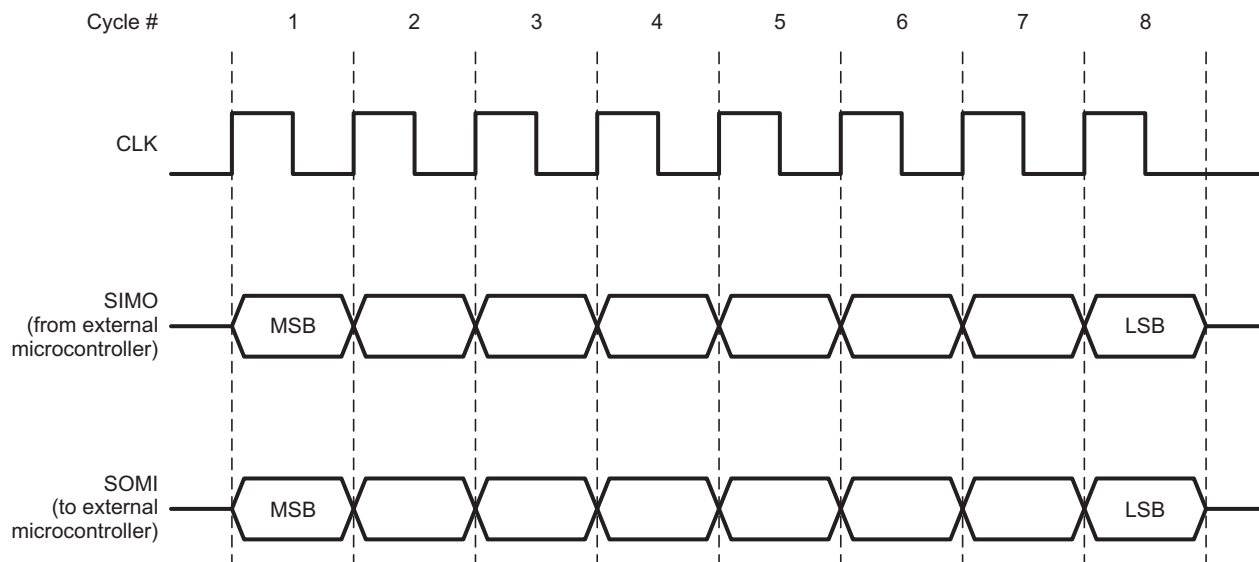
```

24.11 Serial Peripheral Interface (SPI)

The SPI for communication between the microcontroller and the LF front end is a synchronous interface (see [Figure 24-99](#)) using one clock line (CLK) and two data lines (SIMO and SOMI). In contrast to the LF interface, the most significant bit (MSBit) of a byte is transmitted first. The least significant Byte (LSByte) is transmitted first in LF passive mode protocol. The SIMO line is changed at the positive transition of CLK and is sampled with the falling edge of CLK.

On the microcontroller, either a hardware UART module or a software implementation can be used. The microcontroller is the master for the bidirectional communication. The LF front end responds on requests as described here.

The BUSY signal line can be used as handshake for byte transmission preventing data overflow on the LF front end.



SIMO: Slave In - Master Out
 SOMI: Slave Out - Master In

Figure 24-99. SPI Timing (Clock Phase and Polarity)

The data transfer through the SPI interface is structured in 8 bits. The microcontroller starts a data exchange by sending the SPI Length (LEN) byte first. It indicates the number of following bytes. One exception for this is the status read command, which is optimized for fastest execution and therefore only uses one byte.

All pages and actions that can be accessed through the LF interface can also be accessed by SPI. Additional commands for LF wake-up mode and RKE function are available.

The SOMI response is equivalent to the uplink telegram of the LF interface, with three exceptions:

- No pre-bits are transferred
- No start byte is transferred
- No frame BCC is sent (see [Figure 24-100](#) and [Figure 24-101](#)).

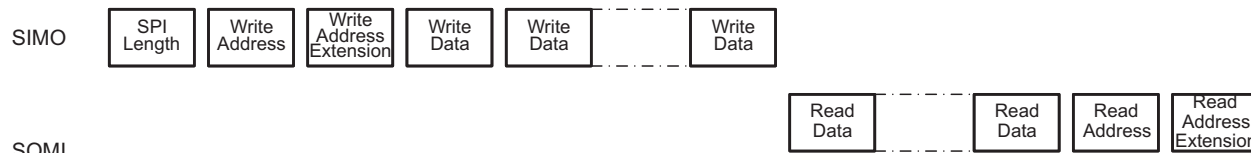


Figure 24-100. SPI Command – Protocol Overview

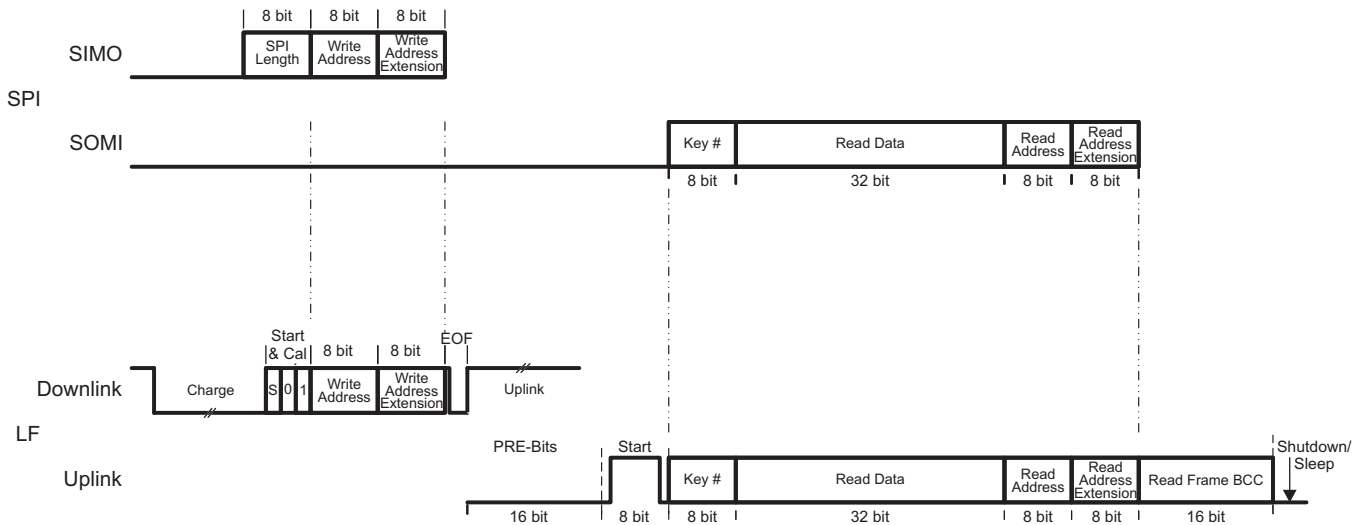


Figure 24-101. SPI Transponder Access Command Example

The LF front end indicates receiving of data via the SPI interface by setting BUSY to high (see Figure 24-102). As one byte is received and the front end is ready to receive or transmit another byte, BUSY becomes low again. The microcontroller needs to wait until BUSY is low and is then allowed to send or receive the next byte.

At the end of a protocol, BUSY is low to indicate that the PCU is ready to receive the next SPI protocol.

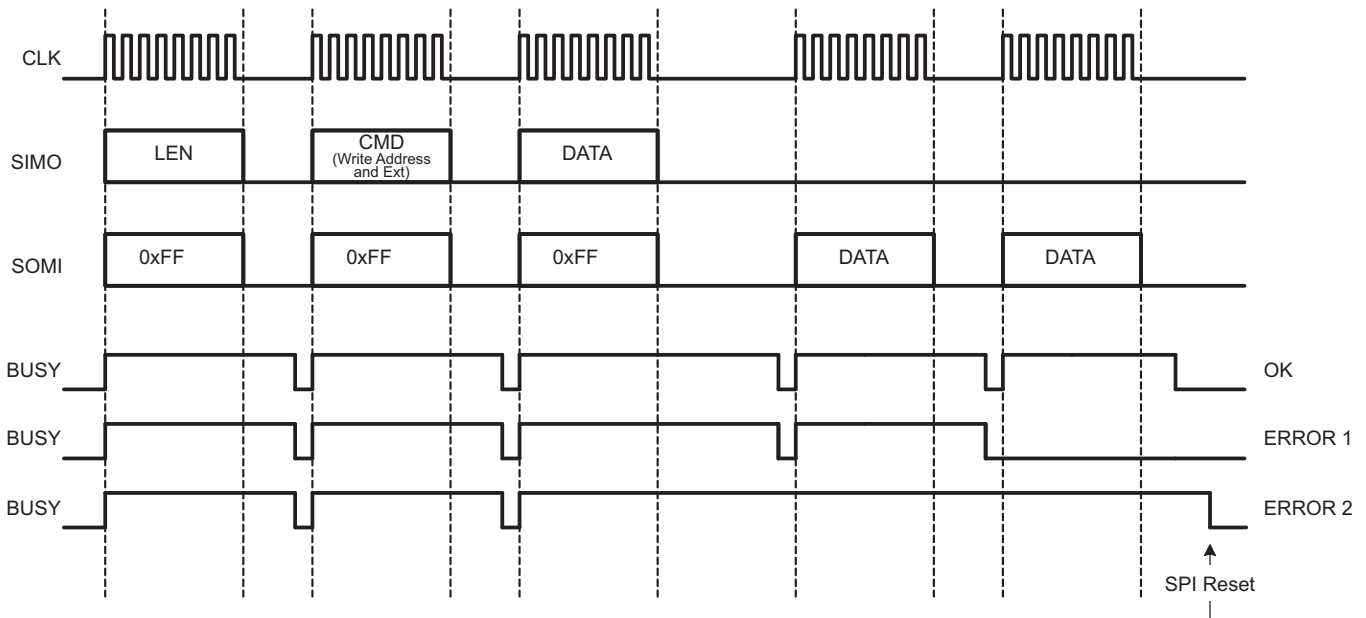


Figure 24-102. SPI Communication Overview

BUSY rises within first SPI clock to indicate activity of the SPI interface. BUSY signal stays high during all eight clocks of one byte communication. The LF front end indicates with BUSY is low that further SPI bytes could follow or SPI communication is finished. For error detection purpose 0xFF is sent at SOMI line during downlink of data at SIMO line.

Error 1: If BUSY stays low after the first SPI clock, the device indicates an SPI error. One example for this case is that the device recognizes that length (LEN) and command (CMD) do not fit together. During transmission of the third byte, the BUSY line stays low. Another example is an invalid command (CMD).

The device has stopped last SPI protocol and is ready for next one.

NOTE: WAKE stays high.

Error 2: If BUSY stays high for longer than t_{Bmax} , the device indicates an SPI communication problem. After SPI timeout, an SPI reset is executed and the device indicates readiness for new SPI protocol with BUSY set low.

NOTE: WAKE is set to low (power-down is performed due to SPI timeout).

24.11.1 SPI Transponder Memory Access (TMA) Command Set Part

The Command Set Part tables in [Section 24.11.2](#) and [Section 24.11.3](#) define the possible page accesses through SPI. The SPI transponder memory access protocol scheme follows the same basic structure as the LF interface and is described in detail in [Section 24.5.4.1](#).

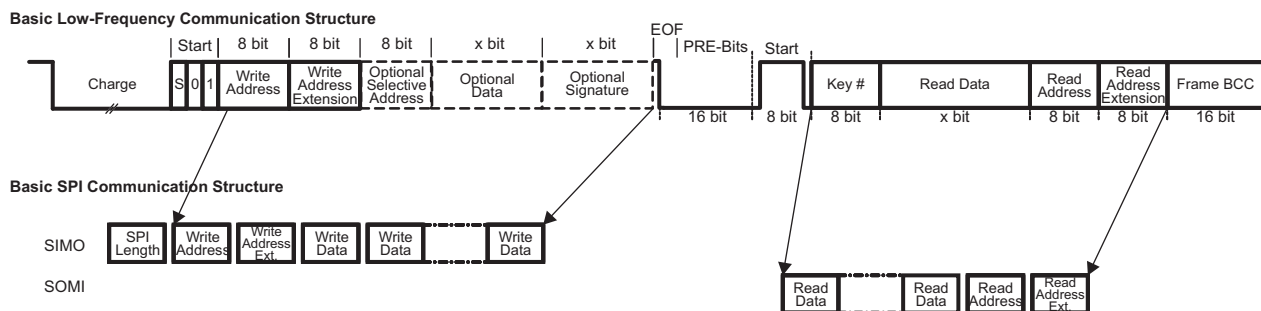


Figure 24-103. Basic Low-Frequency and SPI Communication Structures

The SPI communication does not need any charge time, start phase, EOF, program time, or encryption time handling as these timings are managed by the BUSY handshake line from the LF front end. The SIMO communication requires one additional byte at the beginning defining the number of bytes followed on the SIMO line. The response uses the same formatting as described for LF uplink, except that pre-bit phase, start byte, and frame BCC are not included.

24.11.2 SPI Transponder Memory Access (TMA) Command Set

[Table 24-88](#) shows the memory commands that are available through SPI.

Table 24-88. SPI Transponder Memory Access Command Set

PAGE				CONFIGURATION SPI_CSP																		
Number	Number hex	Number binary	Description	Selective Address Memory	Bank Mutual Auth. Only	Selective Mutual Action	Selective Mutual Lock	Selective Mutual Program	Selective Mutual Read	Mutual Action	Mutual Authnt. Lock	Mutual Authnt. Program	Mutual Authnt. Read	Selective Action	Selective Lock	Selective Program	Selective Read	General Action	General Lock	General Program	General Read	Key Used
Memory BANK 7																						
0	00	0000000	TI configuration	-	-	F	E	D	C	B	A	9	8	7	6	5	4	3	2	1	0	A1
1	01	0000001	TI configuration	-	-														1	1	1	A1
2	02	0000010	Serial #/Manufacturer Code	-	-														1	1	1	A1
3	03	0000011	TI configuration	-	-														1	1	1	A1
4	04	0000100	selective addr. / key # / data 0	-	-														1	1	1	A1
5	05	0000101	customer configuration	-	-														1	1	1	A1
6	06	0000110	Vehicle ID	-	-														1	1	1	A1
7	07	0000111	Wake Pattern A configuration	-	-														1	1	1	A1
8	08	0001000	Counter 4 / user data	-	-														1	1	1	A1
9	09	0001001	Wake Pattern B configuration	-	-														1	1	1	A1
10	0A	0001010	Counter 3 / user data	-	-														1	1	1	A1
11	0B	0001011	Wake Receiver Sensitivity Config.	-	-														1	1	1	A1
12	0C	0001100	Counter 2 / user data	-	-														1	1	1	A1
13	0D	0001101	Wake Receiver Bit Timing Config.	-	-														1	1	1	A1
14	0E	0001110	Counter 1 / user data	-	-														1	1	1	A1
15	0F	0001111	TI configuration	-	-														1	1	1	A1
16	10	0010000	AES_KEY_1 [31:0]	-	-											s	s			s	s	A1
17	11	0010001	AES_KEY_1 [63:32]	-	-											s	s			s	s	A1
18	12	0010010	AES_KEY_1 [95:64]	-	-											s	s			s	s	A1
19	13	0010011	AES_KEY_1 [127:96]	-	-											s	s			s	s	A1
20	14	0010100	AES_KEY_2 [31:0]	-	-											s	s			s	s	A1
21	15	0010101	AES_KEY_2 [63:32]	-	-											s	s			s	s	A1
22	16	0010110	AES_KEY_2 [95:64]	-	-											s	s			s	s	A1
23	17	0010111	AES_KEY_2 [127:96]	-	-											s	s			s	s	A1
24	18	0011000	RKE_KEY_1 [31:0]	-	-											s	s			s	s	A1
25	19	0011001	RKE_KEY_1 [63:32]	-	-											s	s			s	s	A1
26	1A	0011010	RKE_KEY_1 [95:64]	-	-											s	s			s	s	A1
27	1B	0011011	RKE_KEY_1 [127:96]	-	-											s	s			s	s	A1
28	1C	0011100	TRANSPORT_KEY [31:0]	-	-											s	s			s	s	A1
29	1D	0011101	TRANSPORT_KEY [63:32]	-	-											s	s			s	s	A1
30	1E	0011110	TRANSPORT_KEY [95:64]	-	-											s	s			s	s	A1
31	1F	0011111	TRANSPORT_KEY [127:96]	-	-											s	s			s	s	A1
Memory BANK 0..3																						
0	00	0000000	USER DATA 0	-	-														1	1	1	A1
1	01	0000001	USER DATA 1	-	-														1	1	1	A1
2	02	0000010	USER DATA 2	-	-														1	1	1	A1
3	03	0000011	USER DATA 3	-	-														1	1	1	A1
4	04	0000100	USER DATA 4	-	-														1	1	1	A1
5	05	0000101	USER DATA 5	-	-														1	1	1	A1
6	06	0000110	USER DATA 6	-	-														1	1	1	A1
7	07	0000111	USER DATA 7	-	-														1	1	1	A1
8	08	0001000	USER DATA 8	-	-														1	1	1	A1
9	09	0001001	USER DATA 9	-	-														1	1	1	A1
...	-	-																	
61	3D	0111101	USER DATA 60	-	-														1	1	1	A1
62	3E	0111110	USER DATA 61	-	-														1	1	1	A1
63	3F	0111111	USER DATA 62	-	-														1	1	1	A1
1 == response with page content & status of addressed page s == response with content of status page (page 2) & status of addressed page 1(np) == response with page content & status of addressed page only if page mutual flag NOT set s(np) == response with content of status page (page 2) & status of addressed page only if page mutual flag NOT set 1(pm) == response with page content & status of addressed page only if page mutual flag SET s(pm) == response with content of status page (page 2) & status of addressed page only if page mutual flag SET																						

24.11.3 SPI Transponder Action Access (TAA) Command Set

Table 24-89 shows the action commands that are available through SPI. In addition to the TAA commands that are accessible through both LF and SPI, other TAA commands are defined for use only with SPI.

Table 24-89. SPI Transponder Action Access Command Set

ACTION				CONFIGURATION SPI_CSP																		
Number	Number hex	Number binary	Description	Selective Address Memory	Bank Mutual Auth. Only	Selective Mutual Action	Selective Mutual Lock	Selective Mutual Program	Selective Mutual Read	Mutual Action	Mutual Authent. Lock	Mutual Authent. Program	Mutual Authent. Read	Selective Action	Selective Lock	Selective Program	Selective Read	General Action	General Lock	General Program	General Read	Key Used
Action BANK 7																						
00	00	0000000	MSP Access 4 bytes	-	-	F	F	D	C	B	A	9	8	7	6	5	4	3	2	1	0	A1
01	01	0000001	MSP Access 8 bytes	-	-																	A1
02	02	0000010	Antenna Trimming	-	-													1				A1
03	03	0000011	Battery Charge	-	-													1				A1
16	10	0010000	prog AES_KEY_1 [127:0]	-	-													s				A1
17	11	0010001	prog hash AES_KEY_1 [127:0]	-	-													s				TR
20	14	0010100	prog AES_KEY_2 [127:0]	-	-													s				A2
21	15	0010101	prog hash AES_KEY_2 [127:0]	-	-													s				TR
24	18	0011000	prog RKE_KEY_1 [127:0]	-	-													s				R1
25	19	0011001	prog hash RKE_KEY_1 [127:0]	-	-													s				TR
28	1C	0011100	prog TRANS_KEY_2 [127:0]	-	-													s				TR
29	1D	0011101	prog hash TRANS_KEY_2 [127:0]	-	-													s				TR
48	30	0110000	encryption w. AES_KEY_1	-	-													1				A1
50	32	0110010	anticollision encr. w. AES_KEY_1	-	-													1				A1
52	34	0110100	encryption w. AES_KEY_2	-	-													1				A2
54	36	0110110	anticollision encr. w. AES_KEY_2	-	-													1				A2
56	38	0111000	encryption w. RKE_KEY_1	-	-													1				R1
58	3A	0111010	anticollision encr. w. RKE_KEY_1	-	-													1				R1
60	3C	0111100	encryption w. TRANSPORT_KEY	-	-													1				TR
62	3E	0111110	anticollision encr. w. TRANSPORT_KEY	-	-													1				TR
65	41	1000001	RAID Control Cmd	-	-													1				
66	42	1000010	MSP/PCU Data Exchange (DATA OUT)	-	-													1				
67	43	1000011	PCU/MSP Data Exchange (DATA IN)	-	-													1				
68	44	1000100	RSSI measurement	-	-													1				
69	45	1000101	CRC calculation	-	-													1				
70	46	1000110	counter(param) read / incr.	-	-													1				
71	47	1000111	counter(param) prog.	-	-													1				
72	48	1001000	load key(param) into key reg & encr.	-	-													1				
73	49	1001001	load data into key reg & encr.	-	-													1				
74	4A	1001010	load data in encr. data reg	-	-													1				
75	4B	1001011	Battery Check	-	-													1				
80	50	1010000	encr. w. AES_KEY_1 & cnt(param)	-	-													1				
84	54	1010100	encr. w. AES_KEY_2 & cnt(param)	-	-													1				
88	58	1011000	encr. w. RKE_KEY_1 & cnt(param)	-	-													1				
92	5C	1011100	encr. w. TRANSPORT_KEY & cnt(param)	-	-													1				
122	7A	1111010	encryption w. AES_KEY_1 & special padding	-	-													1				A1
1 == response with action response value & status s == response with content of status page (page 2) & status of corresponding page 1(np) == response with action response value & status only if page mutual flag NOT set s(np) == response with content of status page (page 2) & status of corresponding page only if page mutual flag NOT set 1(pm) == response with page content & status of addressed page only if page mutual flag SET s(pm) == response with content of status page (page 2) & status of addressed page only if page mutual flag SET																						

24.11.3.1 Status Read

A high condition on the WAKE signal line indicates the microcontroller a status change at the LF front end. A Status Read should be executed by the microcontroller to identify the reason for a high WAKE.

The following conditions are indicated by a high WAKE:

- Power-on reset (battery insertion)
- Incorrect LF passive mode commands
- MSP Access Command
- Wake pattern detection
- Status change at switch interface

To provide fastest communication time the SPI protocol is implemented without a length byte on SIMO line.

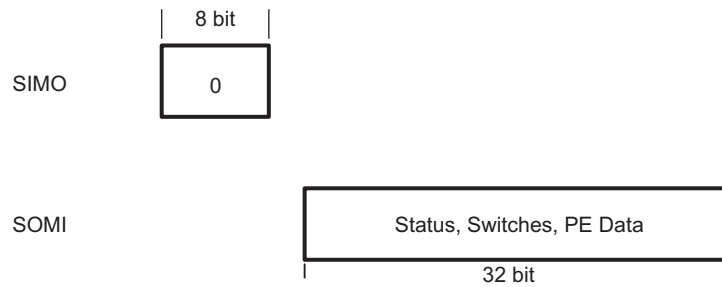


Figure 24-104. SPI Status Read Command – Short Form

Table 24-90. SPI Read Status, Status Bytes Details

	Device Status								PE Status								SWITCHES								PE_DATA									
	3								2								1								0									
	7	6	5	4	3	2	1	0	7	6	5	4	3	2	1	0	7	6	5	4	3	2	1	0	7	6	5	4	3	2	1	0		
Status Read	LVL_B_DET				IMMO_ACTIVE	MSP_ACCESS	NEW_SWITCH	WAKE_B	WAKE_A	PE_BIT_CNT					EOF_DET	DATA_PENDING	ERROR_DET	START_DET	SW7	SW6	SW5	SW4	SW3	SW2	SW1	SW0	RECEIVED BITS (Wake Receiver)							

MSP_ACCESS	Indicates a received MSP_ACCESS command received through the LF passive mode interface
NEW_SWITCH	Indicates the sampling of a new switch event (reset on read)
WAKE_A	Reception of wake pattern A by wake receiver front end
WAKE_B	Reception of wake pattern B by wake receiver front end
IMMO_ACTIVE	Indicates LF passive mode operation after a received SOF via LF passive mode interface. IMMO_ACTIVE flag is set to 0 with last bit of LF passive mode response.
LVL_B_DET	Indicates the reception of a telegram start (first bit after S-Bit reception) with level B strength or the reception of a wake pattern with level B strength. Bit is not set if WPBEN=0 and/or Level_AB_equal=1.
PE_BIT_CNT	Number of bits available in the PE data field. A value of Fh indicates a buffer overflow subsequent to the bits already in the input buffer
EOF_DET	Indicated the reception of an EOF bit adjacent after the bits reported by PE_BIT_CNT.
DATA_PENDING	If set, additional data is available in the buffer of WDE hardware after read-out.
ERROR_DET	Indicates an erroneous bit evaluation subsequent to the bits already in the input buffer (PE_BIT_CNT).
START_DET	Indicated the reception of an S bit.
SWITCHES	These eight bits represents the current valid switch pattern. A NEW_SWITCH flag indicates a change in the switch settings.
PE_DATA	Eight bits data buffer for WDE LF input data. Number of valid bits is indicated by PE_BIT_CNT. Bits are right aligned (received data is shifted into LSB).

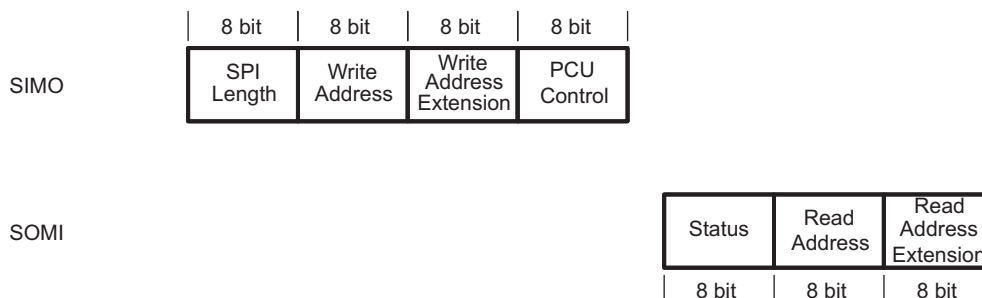
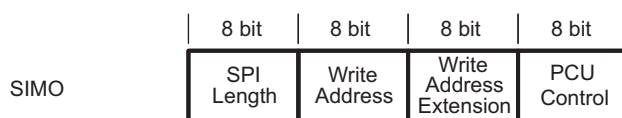
Level B Detection

The LVL_B_DET flag is asserted if one of the following conditions is valid: The input signal exceed level B strength during reception of a wake pattern

If the device is already awake, the first bit after the reception of a S bit is evaluated.

24.11.3.2 RAIDAES Control Command (Action 65)

The RAIDAES Control Command is used to influence the operational behaviour of the LF front end. The desired action is specified in the PCU control byte. The response of the RAIDAES control command depends on the command executed. A command that sets the LF front end to sleep does not send a response.

**Figure 24-105. SPI RAIDAES Control Command**

SOMI

No Response to Sleep Command

Figure 24-106. SPI RAIDAES Control Command Without Response (Sleep Command)

Table 24-91 shows the different commands that are available for the RAIDAES Control command.

Table 24-91. RAIDAES Control Commands

PCU Control Byte Value		PCU Control Byte Description
Hex	Binary	
0Dh	00001101	Power down (delayed until MSP access uplink completed)
0Eh	00001110	Power down command (sleep)
0Fh	00001111	Power down with write of button stuck mask
1?h	0001??00	Pin CLK_OUT: 500- μ s clock output
1?h	0001??01	Pin CLK_OUT: Sampling clock output
1?h	0001??10	Pin CLK_OUT: Immobilizer clock output
1?h	0001??11	Pin CLK_OUT: no output
1?h	000100??	Pin EOBA: Wake receiver burst detector output
1?h	000101??	Pin EOBA: Immobilizer burst detector output
1?h	000110??	Pin EOBA: Status read request output
1?h	000111??	Pin EOBA: no output
2?h	001011?0	Immobilizer disable
2?h	001011?1	Immobilizer enable
2?h	0010110?	Wake receiver disable
2?h	0010111?	Wake receiver enable
FFh	11111111	SPI timeout reset

The LF passive mode function is automatically re-enabled when a RAIDAES control power-down command is executed, a SPI timeout or a watchdog reset occurred.

The Wake receiver disable is permanent and can be re-enabled by RAIDAES control command Wake receiver enable or power-on reset.

Power-Down (delayed after MSP Access Uplink) is directly de-asserting WAKE signal line. But the LF front end stays active until the MSP Access Uplink is finished. This allows shutting down the external microcontroller without waiting for the end of the MSP Access communication.

The status byte in the command response is defined to 00h with the given control words for successful execution and FFh for any error.

NOTE: After a power down command, WAKE is set to 0. If a switch event is pending, WAKE is set to 1 after $t_{WAKElow}$.

24.11.3.3 Encryption Commands (Actions 72, 73, 74)

Encryption commands allow full usage of the encryption coprocessor and the conditional use of encryption keys via the SPI interface. Algorithms with different padding schemes or different bit-slices for the signatures can be implemented using these commands.

Load Encryption Data Register (Action 74)

Table 24-92. Load Encryption Data Register

Command	11b	
Command_Flags	00b	
Bank	111b	
Action Code	-	4Ah
	-	-
	-	-
Selective Address	-	
Reader Signature	-	
Data Field	128 bit	
BCC	-	

The command transfers the 128 bit data into the data registers of the encryption engine.

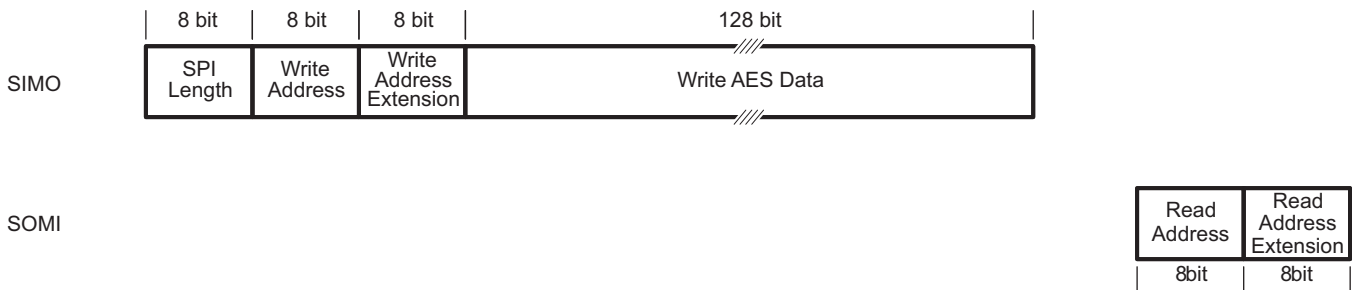


Figure 24-107. SPI TAA – Load AES Data Register

Load Encryption Key Register From Page (Action 72)

Table 24-93. Load Encryption Key Register From Page

Command	11b	
Command_Flags	00b	
Bank	111b	
Action Code	-	48h
	-	-
	-	-
Selective Address	-	
Reader Signature	-	
Data Field	8 bit	
BCC	-	

The command loads the key in the memory location addressed by the key page parameter into the key registers of the encryption coprocessor and starts an encryption. The result of the encryption is transferred in full length at the SOMI output line. The key register is not valid after the execution of the command. Therefore a preceding load of the data register should be executed in sequence with the encryption command.

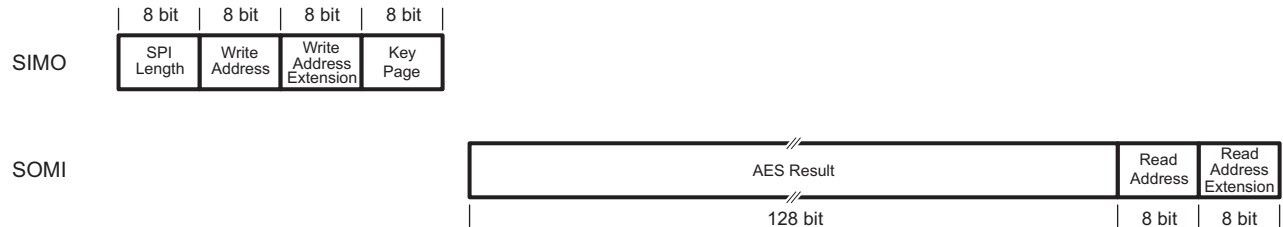


Figure 24-108. SPI TAA – Load AES Key From Page and Execute Encryption

Load Encryption Key Register and Encryption (Action 73)

Table 24-94. Load Encryption Key Register and Encryption

Command	11b	
Command_Flags	00b	
Bank	111b	
Action Code	-	49h
	-	-
	-	-
Selective Address	-	
Reader Signature	-	
Data Field	128 bit	
BCC	-	

The command loads the key register of the encryption engine from the write data and starts an encryption. The data register (Action 74) must be loaded before Action 73. The result of the encryption is transferred in full length to the external microcontroller through the SOMI line.

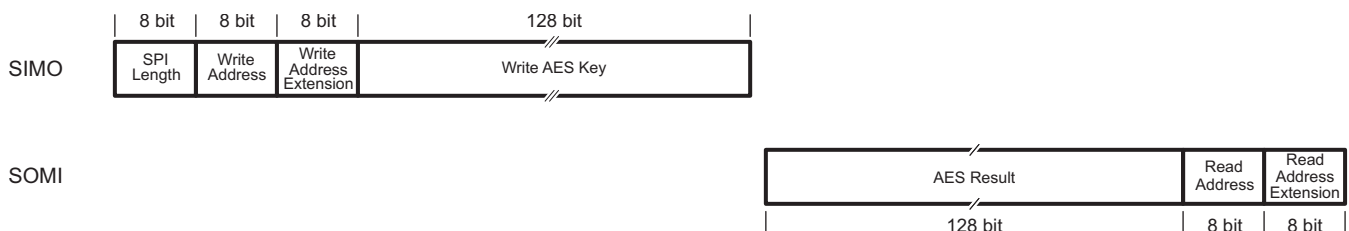


Figure 24-109. SPI TAA – Load AES Key and Execute Encryption

24.11.3.4 Antenna Trimming Command (Action 2)

Table 24-95. Antenna Trimming Command

Command	11b	
Command_Flags	00b	
Bank	111b	
Action Code	-	02h
	-	-

Table 24-95. Antenna Trimming Command (continued)

	-	-
Selective Address		-
Reader Signature		-
Data Field:	32 bit	
BCC		-

The antenna trimming command allows both temporary and permanent trimming of the resonant circuit.

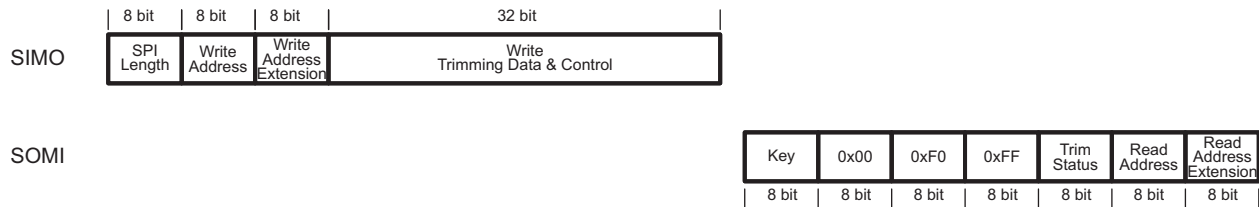


Figure 24-110. SPI Antenna Trimming Command Protocol

Either Prog/Lock and Measure or Trim and Measure function is executed within one command. Prog/Lock and Measure executes first program of trim bits or program of lock bits and second allows to measure frequencies of resonance circuit. Trim and Measure executes first switching of parallel transistors and second allows to measure frequencies of resonance circuit.

Table 24-96. Antenna Trimming Command – Write Trim Data and Control

	Antenna on RF3								Antenna on RF2								Antenna on RF1								Trimming Control							
	3								2								1								0							
	7	6	5	4	3	2	1	0	7	6	5	4	3	2	1	0	7	6	5	4	3	2	1	0	7	6	5	4	3	2	1	0
Trimming data and Control	Lock	TRIM SWITCH 6	TRIM SWITCH 5	TRIM SWITCH 4	TRIM SWITCH 3	TRIM SWITCH 2	TRIM SWITCH 1	TRIM SWITCH 0	Lock	TRIM SWITCH 6	TRIM SWITCH 5	TRIM SWITCH 4	TRIM SWITCH 3	TRIM SWITCH 2	TRIM SWITCH 1	TRIM SWITCH 0	Lock	TRIM SWITCH 6	TRIM SWITCH 5	TRIM SWITCH 4	TRIM SWITCH 3	TRIM SWITCH 2	TRIM SWITCH 1	TRIM SWITCH 0	CLK_OUT_SEL	RFU	PROG_ONE_ONLY	PROG_EN	OSCM_EN	ANT3_EN	ANT2_EN	ANT1_EN

CLK_OUT_SEL	1 = The CLK_OUT pin is switched to the regenerated LF clock. 0 = CLK_OUT behavior is unchanged.
RFU	Reserved. Must be set to 0.
ANT1_EN	Selects the antenna to program, lock, trim, or measure. If no antenna is selected, the automatically selected response antenna is used (only applicable for automatic trimming) (see Table 24-97)
ANT2_EN	
ANT3_EN	
OSCM_EN	1 = Oscillation maintenance sequence is enabled. 0 = Oscillation maintenance sequence is disabled.
PROG_EN	1 = Programming of the EEPROM switches is enabled 0 = Only the corresponding transistors are set (see Table 24-98).
PROG_ONE_ONLY	1 = Only EEPROM trim switches are programmed which are specified as 1 (see Table 24-98).
LOCK	If set to 1, the current trim switch configuration is locked and can not be changed anymore. Unlocking is not possible.
TRIM_SW[6-0]	Setting of trim bits or parallel transistors (see Table 24-99).

Table 24-97. Antenna Selection Bits

ANT3_EN	ANT2_EN	ANT1_EN	Description
0	0	0	All parallel switches and programming switched off. Discharge independent from configuration.
0	0	1	RF1 is selected for program, trim, and measure ⁽¹⁾
0	1	0	RF2 is selected for program, trim, and measure ⁽¹⁾
0	1	1	RF1/2 are selected for program or trim ⁽¹⁾
1	0	0	RF3 is selected for program, trim, and measure ⁽¹⁾
1	0	1	RF1/3 are selected for program or trim ⁽¹⁾
1	1	0	RF2/3 are selected for program or trim ⁽¹⁾
1	1	1	RF1/2/3 are selected for program or trim ⁽¹⁾

⁽¹⁾ No discharge independent from configuration

Table 24-98. Program, Trim, and Lock Control Bits

LOCK[3-1]	PROG_ONE_ONLY	PROG_EN	Description
0	0	0	Switch parallel transistors
0	0	1	⁽¹⁾
0	1	0	Program trim bits ON only
0	1	1	Program trim bits ON and OFF
1	0	0	⁽¹⁾
1	0	1	Program selected lock bits
1	1	0	Program trim bits ON only and program lock bits
1	1	1	Program trim bits ON and OFF and program lock bits

⁽¹⁾ No program, trim and lock executed, but frequency measurement possible.

Table 24-99. Antenna Trimming Command, Trim Status

	Trim Status							
	0							
	7	6	5	4	3	2	1	0
TRIM Status						ANT3_LOCKED	ANT2_LOCKED	ANT1_LOCKED

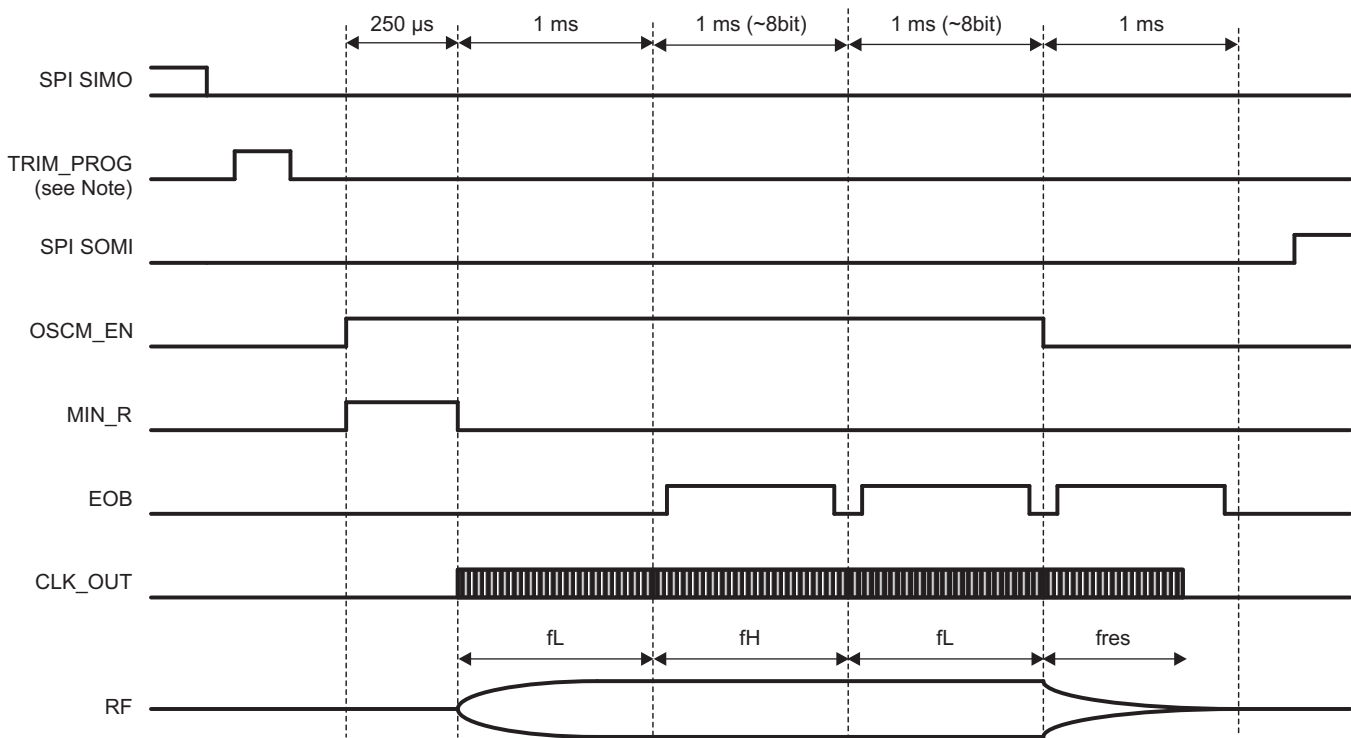
ANT1_LOCKED	Indicates that programming of antenna 1 is locked
ANT2_LOCKED	Indicates that programming of antenna 2 is locked
ANT3_LOCKED	Indicates that programming of antenna 3 is locked

Table 24-100. Status Codes of Antenna Trimming Status Response

Status Code					Status Description		
Binary				Hex			
RF3	RF2	RF1	CMD_OK				
0	0	0	1	1	Command executed	Not applicable	
0	0	1	1	3		RF1	
0	1	0	1	5			RF2
0	1	1	1	7		RF	RF2
1	0	0	1	9			RF3
1	0	1	1	B		RF1	RF3
1	1	0	1	D			RF2 RF3
1	1	1	1	F		RF1	RF2 RF3
0	0	0	0	0	Command not executed	Not applicable	
0	0	1	0	2		RF1	

Table 24-100. Status Codes of Antenna Trimming Status Response (continued)

Status Code					Status Description			
Binary				Hex				
RF3	RF2	RF1	CMD_OK					
0	1	0	0	4			RF2	
0	1	1	0	6		RF1	RF2	
1	0	0	0	8				RF3
1	0	1	0	A		RF1		RF3
1	1	0	0	C			RF2	RF3
1	1	1	0	E		RF1	RF2	RF3



NOTE: Enables switching of parallel transistors or programming of trim/lock bits.

Figure 24-111. Timing Diagram of Frequency Measurement Function

The Antenna Trimming command without Programming offers faster trimming than the command Antenna Trimming with Programming. At this command the trimming capacitors are switched on by transistors without EEPROM programming. For a proper functionality of the Antenna Trimming Without Programming command it is necessary to program OFF all trimming capacitors first with Command Antenna Trimming With Programming.

The command Antenna Trimming With Programming allows a permanent trimming of the resonant circuit by programming the trimming circuit EEPROM.

To execute a trimming process the LF front end with connected resonant circuit needs to be placed in the area of a LF reader sending an antenna tuning command to the ID Device utilizing a MSP Access command or a LF Wake-Up Mode command. The microcontroller could then change the antenna tuning using successive approximation or linear approximation. After each trimming command the microcontroller measures the output frequency using CLK_OUT pin.

For programming the Trimming EEPROM VCL needs to be supplied either externally or through the LF field generated by a LF reader.

24.11.3.5 Encryption With Counter (Action 80, 84, 88, 92)

Table 24-101. Encryption With Counter

Command	11b	
Command_Flags	00b	
Bank	111b	
Action Code	-	50h, 54h, 58h, 5Ch
	-	-
	-	-
Selective Address	-	
Reader Signature	-	
Data Field	8 bit	
BCC	-	

The Encryption Commands are intended for use in RKE or PEPs UHF protocols. This feature allows the user an easy and fast generation of a rolling code without the need of implementing an algorithm in software. The command triggers an encryption of the counter addressed in the Counter-Control-Byte. The counter can be incremented automatically prior or past the encryption, controlled by parameters in the Counter-Control-Byte. With the INCL_CNT-bit the data in the response can be changed to allow easy access to the used counter value. The response always shows then counter value used for the encryption execution. For pre-increment, the new value is transferred. For-post increment, the old (not incremented) value is transferred.

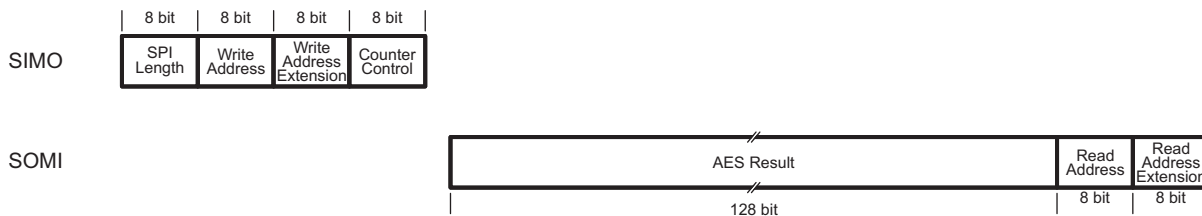


Figure 24-112. SPI Encryption Command With Counter (INCL_CNT = 0)

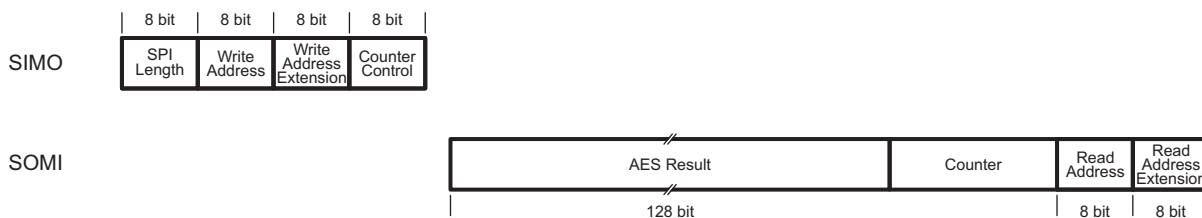


Figure 24-113. SPI Encryption Command With Counter Value in Response (INCL_CNT = 1)

Table 24-102. Encryption Command With Counter – Counter Control Byte

	COUNTER_CONTROL							
	0							
	7	6	5	4	3	2	1	0
Counter Control Bits	INCL_CNT	RFU	RFU	PRE_INCR	POST_INCR	RFU	CNT#	

INCL_CNT	Upper 32 bits of AES-Result are replaced by the used counter value in response
PRE_INCR	Counter is incremented by 1 before usage
POST_INCR	Counter is incremented by 1 after usage
CNT#	00 = Counter 1 is used 01 = Counter 2 is used 10 = Counter 3 is used 11 = Counter 4 is used

NOTE: The required encryption time depends on PCU clock frequency. The PCU keeps the BUSY signal high during encryption time.

As the counter value is of 32 bit length the encryption input is padded with the standard TI procedure to 128bit as described in [2].

Pre-increment and post-increment can be selected simultaneously and mean an increment of 2 at each command execution.

24.11.3.6 DATA IN Command (PCU to MSP Data Exchange) (Action 67)

Table 24-103. DATA IN Command

Command	11b	
Command_Flags	00b	
Bank	111b	
Action Code	-	43h
	-	-
	-	-
Selective Address	-	
Reader Signature	-	
Data Field	-	
BCC	-	

Every time a high WAKE signal level is detected by the microcontroller, the status of the LF front end should be evaluated using the SPI Command Status Read.

If MSP Access is indicated, the microcontroller can read the 4/8 data bytes received during LF downlink phase using the Data In command (see Figure 24-114). If a 4 byte MSP access command is executed, the unused bytes in read data are set to 00h.

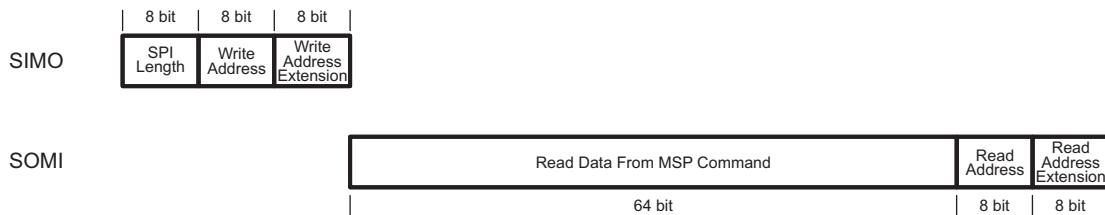


Figure 24-114. SPI Data In Command – LF Front End to Microcontroller Data Transfer

Table 24-104. Status Codes of DATA IN Response

Status Code					Hex	Status Description for DATA IN Command	Action (hex)
Bin							
CMD_OK	Status_0	Status_1	Status_2				
0	0	0	0	0	0	Data In failed. No MSP access data available from RAIDAES.	43h
0	0	0	1	1	1	Reserved	
0	0	1	0	2	2		
0	0	1	1	3	3		
0	1	0	0	4	4		
0	1	0	1	5	5		
0	1	1	0	6	6		
0	1	1	1	7	7		
1	0	0	0	8	8	Data In executed. Four bytes of data available from RAIDAES.	
1	0	0	1	9	9	Reserved	
1	0	1	0	A	A		
1	0	1	1	B	B		
1	1	0	0	C	C	Data In executed. Eight bytes of data available from RAIDAES.	
1	1	0	1	D	D	Reserved	
1	1	1	0	E	E		
1	1	1	1	F	F		

24.11.3.7 DATA OUT Command (Data/Error to LF front end Exchange) (Action 66)**Table 24-105. DATA OUT Command**

Command	11b	
Command_Flags	00b	
Bank	111b	
Action Code	-	42h
	-	-
	-	-
Selective Address	-	
Reader Signature	-	
Data Field	72 bit	
BCC	-	

The MSP Data Out command (see [Figure 24-115](#)) is used to transfer 8 data bytes and 1 status byte to the LF front end. The data bytes are responded to the reader during uplink phase. The status code of the response telegram is set according to [Table 24-106](#) by the LF front end. The write status indicates if the MSP Access return data contains either valid return data (DATA_OK = 1) or error information (Data_OK = 0).

After receipt of the data out protocol, additional SPI protocols and even additional data out protocols can follow. The last executed data out command determines the LF response. If no data out command is executed, the MSP Access Failed status is responded by the LF front end.

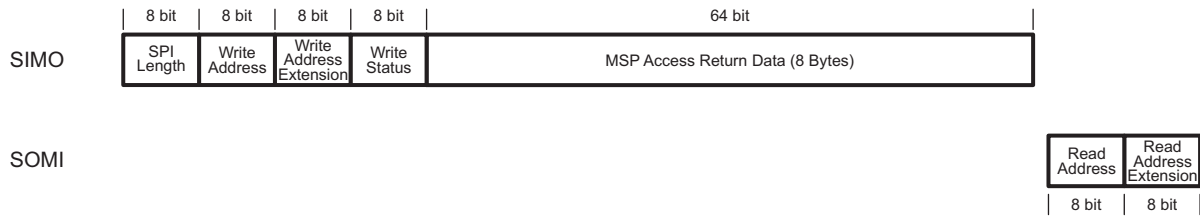


Figure 24-115. SPI Data Out Commands Byte – Microcontroller to LF front end Data Transfer

Table 24-106. DATA OUT Command – Write Status

DATA OUT Command								
0								
	7	6	5	4	3	2	1	0
Write Status Bits								DATA_OK

Table 24-107. Status Codes of DATA OUT Response

Status Code					Status Description, DATA OUT Response	Action (hex)
Bin				Hex		
CMD_OK	Status_0	Status_1	Status_2		Hex	
0	0	0	0	0	Reserved	42h
0	0	0	1	1		
0	0	1	0	2		
0	0	1	1	3		
0	1	0	0	4		
0	1	0	1	5		
0	1	1	0	6		
0	1	1	1	7		
1	0	0	0	8	Data Out executed	
1	0	0	1	9	Reserved	
1	0	1	0	A		
1	0	1	1	B		
1	1	0	0	C		
1	1	0	1	D		
1	1	1	0	E		
1	1	1	1	F		

Table 24-108. Status Codes of LF MSP Access Status Response

Status Code					Hex	Status Description of LF MSP Access Status Response	Action (hex)
Binary							
CMD_OK	Status_0	Status_1	Status_2				
0	0	0	0	0	MSP Access failed. No data or error code available from microcontroller.	00h or 01h	
0	0	0	1	1	Reserved		
0	0	1	0	2			
0	0	1	1	3			
0	1	0	0	4			
0	1	0	1	5			
0	1	1	0	6			
0	1	1	1	7			
1	0	0	0	8			MSP Access executed. Error Code available from microcontroller
1	0	0	1	9	Reserved		
1	0	1	0	A			
1	0	1	1	B			
1	1	0	0	C	MSP Access executed. Data available from microcontroller		
1	1	0	1	D	Reserved		
1	1	1	0	E			
1	1	1	1	F			

24.11.3.8 CRC Calculation Command (Action 69)

Table 24-109. CRC Calculation Command

Command	11b
Command_Flags	00b
Bank	111b
Action Code	- 45h
	- -
	- -
Selective Address	-
Reader Signature	-
Data Field	variable
BCC	-

The CRC Calculation command is available for the microcontroller to perform a CRC16 calculation used by TI-RFID low-frequency transponders.

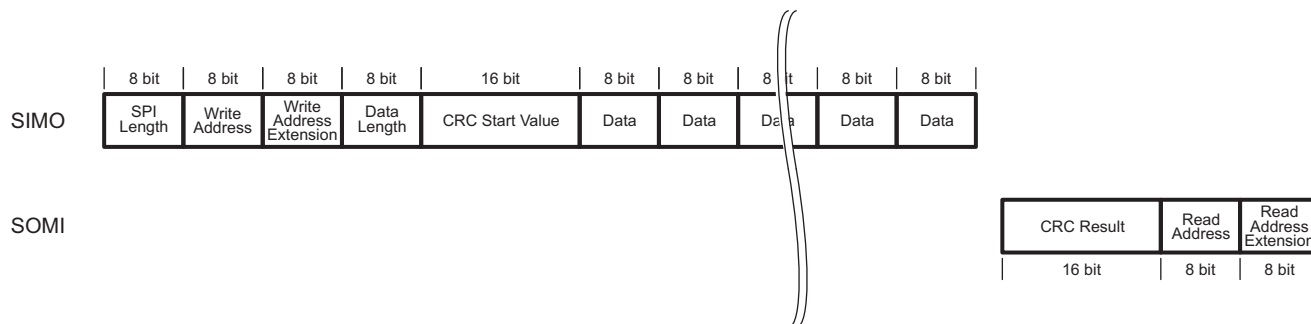


Figure 24-116. SPI CRC Calculation Command Protocol Including Start Value

24.11.3.9 RSSI Measurement Command (Action 68)

Table 24-110. RSSI Measurement Command

Command	11b	
Command_Flags	00b	
Bank	111b	
Action Code	-	44h
	-	-
	-	-
Selective Address	-	
Reader Signature	-	
Data Field	8 bit	
BCC	-	

The RSSI measurement command reads or initiates a RSSI measurement. Depending on the START_RSSI bit, a measurement is triggered or a measurement that was performed during a previous EOF reception is evaluated. This allows a synchronization controlled by the microcontroller (via start_rssi = true) or by the reader.

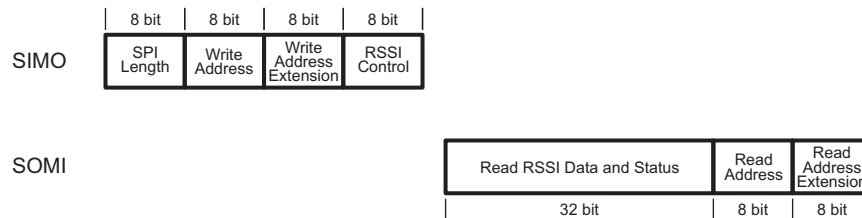


Figure 24-117. SPI RSSI Measurement Command

Table 24-111. RSSI Control Byte

	RSSI Control Byte							
	0							
	7	6	5	4	3	2	1	0
RSSI Control Bits							0	START_RSSI

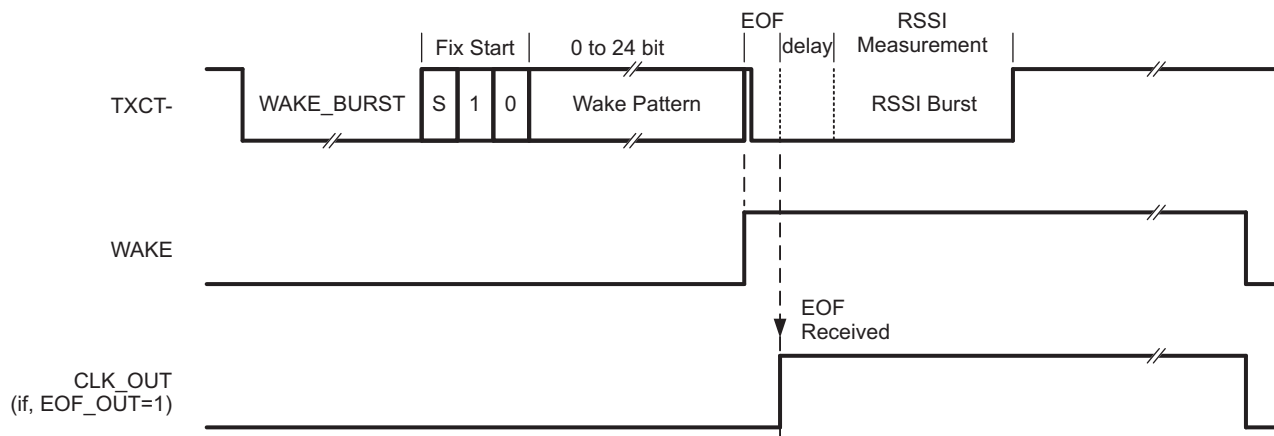
START_RSSI	If set, a RSSI measurement is started and the result is returned. Otherwise, a previously (EOF) performed RSSI measurement is read out. This function is available also for a low WAKE status line.
------------	---

A RSSI measurement is automatically performed for a valid EOF detection after WAKE. The automatic measurement based on EOF detection is reset with SPI power down.

Table 24-112. RSSI Response Format – Detailed

	RSSI_STATUS								Antenna on RF1								Antenna on RF2								Antenna on RF3							
	3								2								1								0							
	7	6	5	4	3	2	1	0	7	6	5	4	3	2	1	0	7	6	5	4	3	2	1	0	7	6	5	4	3	2	1	0
Trimming data and Control			SEL_CHANNEL		WAKE3	WAKE2	WAKE1	EOBA_STABLE	RSSI Value								RSSI Value								RSSI Value							

EOBA_STABLE	If set, EOBA of selected RF channel was stable during RSSI measurement. Note: The EOBA stable bit is only valid if each input level is above 15 mVpp.
WAKEx	If set, indicates which channels detected a valid wake pattern
SEL_CHANNEL	Indicates which channel is chosen for data decoding: 00 = Reserved 01 = RF1 10 = RF2 11 = RF3



NOTE: With a RSSI measurement during EOF transmission, the duration of the EOF Burst must be extended at least by tRSSI.

Figure 24-118. RSSI Measurement During EOF

- If EOF_OUT is set to 0, no delay is required
- If EOF_OUT is set to 1, delay time is required

NOTE: If the EOBA pin is set to Wake receiver burst detector output, the output of this pin should be ignored during RSSI measurement.

24.11.3.10 Counter Read/Increment Command (Action 70)

Table 24-113. Counter Read/Increment Command

Command	11b	
Command_Flags	00b	
Bank	111b	
Action Code	-	46h
	-	-
	-	-
Selective Address	-	
Reader Signature	-	
Data Field	8 bit	
BCC	-	

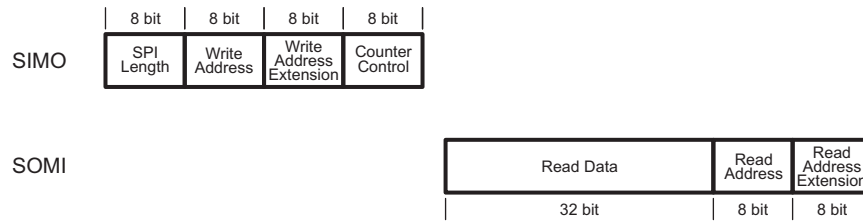


Figure 24-119. SPI Counter Read/Increment Command Counter Control Byte

Table 24-114. SPI Counter Read/Increment Command Counter Control Byte

		COUNTER_CONTROL BYTE							
		0							
		7	6	5	4	3	2	1	0
Counter Control Bits		INCR				RFU	RFU	CNT	

CNT = 00	Counter 0
CNT = 01	Counter 1
CNT = 10	Counter 2
CNT = 11	Counter 3
INCR = 0000	Read
INCR = 0001	Increment by 1
INCR = 0010	Increment by 2
INCR = 0011	Increment by 3
⋮	⋮
INCR = 1111	Increment by 15

24.11.3.11 Counter Program Command (Action 71)

Table 24-115. Counter Program Command

Command	11b	
Command_Flags	00b	
Bank	111b	
Action Code	-	47h
	-	-
	-	-
Selective Address	-	
Reader Signature	-	
Data Field	40 bit	
BCC	-	

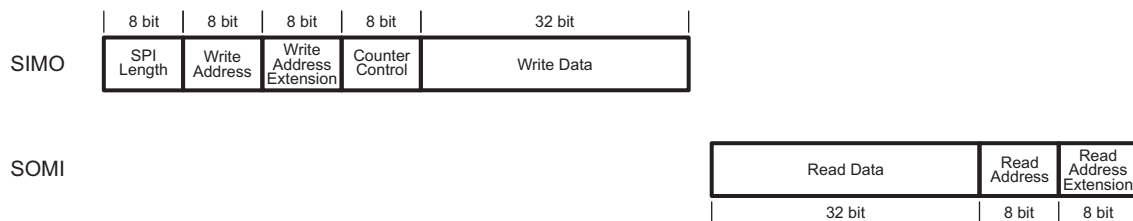


Figure 24-120. SPI Counter Program Command

Table 24-116. SPI Counter Program Command

		COUNTER_CONTROL BYTE							
		0							
		7	6	5	4	3	2	1	0
Counter Control Bits		RFU	RFU	RFU	RFU	RFU	RFU	CNT#	

CNT = 00	Counter 0
CNT = 01	Counter 1
CNT = 10	Counter 2
CNT = 11	Counter 3

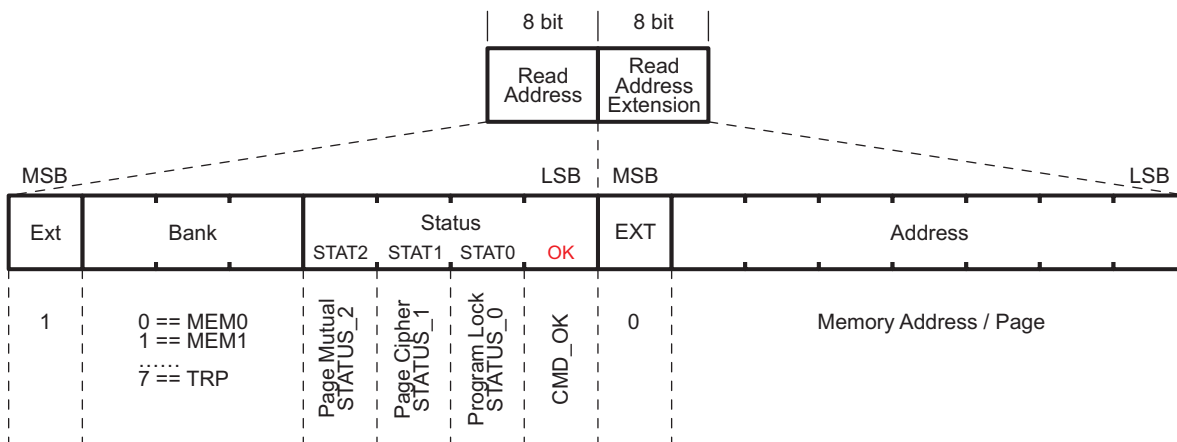
24.11.3.12 Responses

SPI Uplink Status Responses

The Uplink Status Response consists of at least two bytes:

- Read Address
- Address Extension

The LF front end first transmits the read address with LSB first, and then transmits the address extension with LSB first.

**Figure 24-121. SPI Response Status Description**

SPI Transponder Memory Access Status Response

For a Memory Access Command, the read address consists of:

- Status, containing
- OK Flag
- Status_0 = Program Lock bit
- Status_1 = LF_OFF bit
- Status_2 = Page Mutual bit
- Bank Info
- Identifier Bit
- Page Address
- Extension Bit 1
- Page Address Extension (if Extension Bit = 1)

- Extension Bit 2
- Page Address Extension 2 is not used by the RF430F59xx device family; therefore, Extension Bit 1 is always 0.

NOTE: The Transponder Memory Access Status response is valid for LF, SPI, and Test interface.

Table 24-117. SPI Transponder Memory Access Status Response

Function	Read Address						Read Address Extension 1		Read Address Extension 2		Address Range (hex)
	Status (bin)				Bank (hex) (3 bits)	Ident. Bit (1 bit)	Page (hex) (7 bits)	Ext. Bit (1 bit)	Page Ext. (hex) (7 bits)	Ext. Bit (1 bit)	
	(1 bit)	(1 bit)	(1 bit)	(1 bit)							
Address Pages 0 to 127 in Bank 0 to 7	CMD_OK	Prog_Lock Bit	LF_OFF Bit	Page_Mutual Bit	0 to 7	1	00 to 7F	0	-	-	000 to 3FF
Address Pages 0 to 16383 in Bank 0 to 7					0 to 7	1	00 to 7F	1	00 to 7F	0	0000 to 1FFFF

The status message for a locking function is related to the lock bit of the interface at which the lock command was sent (LF interface or SPI/test interface). Both lock bits are shown represented by second (LF interface lock bit) and third LSB (SPI/test interface lock bit).

Table 24-118. SPI Transponder Memory Access Status Response

Status Code					Status Description		
Bin					READ	PROGRAM	LOCK
PAGE_MUTUAL_STATUS_2	LF_OFF_STATUS_1	PROG_LOCK_STATUS_0	CMD_OK	Hex			
0	0	0	1	1	Read successful	Program successful	Lock successful
0	1	0	1	5			
1	0	0	1	9			
1	1	0	1	D			
0	0	1	1	3			
0	1	1	1	7			
1	0	1	1	B			
1	1	1	1	F			
0	0	0	0	0	Read not successful	Program not successful	Lock not successful
0	0	1	0	2			
0	1	0	0	4			
0	1	1	0	6			
1	0	0	0	8			
1	0	1	0	A			
1	1	0	0	C			
1	1	1	0	E			

SPI Action Status Response

For an action command, the read address consists of:

- Status Code
- Bank Info
- Identifier Bit
- Action Code
- Extension Bit 1
- Action Code Extension (if Extension Bit = 1)

- Extension Bit 2

Table 24-119. SPI Transponder Action Access Status Response

Function	Read Address						Read Address Extension 1		Read Address Extension 2		Action Range (hex)
	Status (bin)				Bank (hex) (3 bits)	Ident. Bit (1 bit)	Action Code (7 bits)	Ext. Bit (1 bit)	Action Code Ext. (hex) (7 bits)	Ext. Bit (1 bit)	
	(1 bit)	(1 bit)	(1 bit)	(1 bit)							
Action Address Pages 0 to 127 in Bank 0 to 7	CMD_OK	Prog_Lock Bit Status_0	LF_Lock Bit Status_1	Page_Mutual Bit Status_2	0 to 7	1	00 to 7F	0	-	-	000 to 3FF
Action Address Pages 0 to 16383 in Bank 0 to 7					0 to 7	1	00 to 7F	1	00 to 7F	0	0000 to 1FFFF

The status code is related to the action code. This means that a certain status code has a different meaning dependent on the reported action code.

SPI Encryption Status Response

When an encryption fails, standby is executed (LF interface) or no response occurs (SPI/test interface).

NOTE: All status codes not named in [Table 24-120](#) are reserved for future use.

Table 24-120. Status Codes of SPI Encryption Status⁽¹⁾ Response

Status Code					Hex	Status Description
Binary						
PAGE_MUTUAL_STATUS_2	LF_OFF_STATUS_1	PROGRAM_LOCK_STATUS_0	CMD_OK			
0	0	0	1	1	Encryption executed with lock bit setting information	
0	0	1	1	3		
0	1	0	1	5		
0	1	1	1	7		
1	0	0	1	9		
1	0	1	1	B		
1	1	0	1	D		
1	1	1	1	F		
0	0	0	0	0	Reserved	
0	0	1	0	2		
0	1	0	0	4		
0	1	1	0	6		
1	0	0	0	8		
1	0	1	0	A		
1	1	0	0	C		
1	1	1	0	E		

⁽¹⁾ The encryption status is not related to the Encryption with Counter command.

SPI Increment Status Response

The Transponder Action Access (TAA) commands Counter Increment and Encryption With Counter return the following increment status in the read address. The increment is independent from the lock bits of the counter page. No command to decrement the counter is available. The counter stops if the value 0xFFFFFFFF is reached.

Table 24-121. Status Codes of Increment Status Response

Status Code					Hex	Status Description
Binary						
PAGE_MUTUAL_STATUS_2	LF_OFF_STATUS_1	PROGRAM_LOCK_STATUS_0	CMD_OK			
0	0	0	1	1	Incrementation executed with lock bit setting information of the used counter	
0	0	1	1	3		
0	1	0	1	5		
0	1	1	1	7		
1	0	0	1	9		
1	0	1	1	B		
1	1	0	1	D		
1	1	1	1	F		
0	0	0	0	0	Incrementation failed with lock bit setting information of the used counter	
0	0	1	0	2		
0	1	0	0	4		
0	1	1	0	6		
1	0	0	0	8		
1	0	1	0	A		
1	1	0	0	C		
1	1	1	0	E		

NOTE: Programming of the counter page is possible with the TAA command Counter Program and the TMA command Page Program as long as the PROGRAM_LOCK bit is not set. Therefore, it is recommended to set PROGRAM_LOCK bit if the increment counter function is used in the application.

IMPORTANT NOTICE

Texas Instruments Incorporated and its subsidiaries (TI) reserve the right to make corrections, enhancements, improvements and other changes to its semiconductor products and services per JESD46C and to discontinue any product or service per JESD48B. Buyers should obtain the latest relevant information before placing orders and should verify that such information is current and complete. All semiconductor products (also referred to herein as "components") are sold subject to TI's terms and conditions of sale supplied at the time of order acknowledgment.

TI warrants performance of its components to the specifications applicable at the time of sale, in accordance with the warranty in TI's terms and conditions of sale of semiconductor products. Testing and other quality control techniques are used to the extent TI deems necessary to support this warranty. Except where mandated by applicable law, testing of all parameters of each component is not necessarily performed.

TI assumes no liability for applications assistance or the design of Buyers' products. Buyers are responsible for their products and applications using TI components. To minimize the risks associated with Buyers' products and applications, Buyers should provide adequate design and operating safeguards.

TI does not warrant or represent that any license, either express or implied, is granted under any patent right, copyright, mask work right, or other intellectual property right relating to any combination, machine, or process in which TI components or services are used. Information published by TI regarding third-party products or services does not constitute a license to use such products or services or a warranty or endorsement thereof. Use of such information may require a license from a third party under the patents or other intellectual property of the third party, or a license from TI under the patents or other intellectual property of TI.

Reproduction of significant portions of TI information in TI data books or data sheets is permissible only if reproduction is without alteration and is accompanied by all associated warranties, conditions, limitations, and notices. TI is not responsible or liable for such altered documentation. Information of third parties may be subject to additional restrictions.

Resale of TI components or services with statements different from or beyond the parameters stated by TI for that component or service voids all express and any implied warranties for the associated TI component or service and is an unfair and deceptive business practice. TI is not responsible or liable for any such statements.

Buyer acknowledges and agrees that it is solely responsible for compliance with all legal, regulatory and safety-related requirements concerning its products, and any use of TI components in its applications, notwithstanding any applications-related information or support that may be provided by TI. Buyer represents and agrees that it has all the necessary expertise to create and implement safeguards which anticipate dangerous consequences of failures, monitor failures and their consequences, lessen the likelihood of failures that might cause harm and take appropriate remedial actions. Buyer will fully indemnify TI and its representatives against any damages arising out of the use of any TI components in safety-critical applications.

In some cases, TI components may be promoted specifically to facilitate safety-related applications. With such components, TI's goal is to help enable customers to design and create their own end-product solutions that meet applicable functional safety standards and requirements. Nonetheless, such components are subject to these terms.

No TI components are authorized for use in FDA Class III (or similar life-critical medical equipment) unless authorized officers of the parties have executed a special agreement specifically governing such use.

Only those TI components which TI has specifically designated as military grade or "enhanced plastic" are designed and intended for use in military/aerospace applications or environments. Buyer acknowledges and agrees that any military or aerospace use of TI components which have **not** been so designated is solely at the Buyer's risk, and that Buyer is solely responsible for compliance with all legal and regulatory requirements in connection with such use.

TI has specifically designated certain components which meet ISO/TS16949 requirements, mainly for automotive use. Components which have not been so designated are neither designed nor intended for automotive use; and TI will not be responsible for any failure of such components to meet such requirements.

Products

Audio	www.ti.com/audio
Amplifiers	amplifier.ti.com
Data Converters	dataconverter.ti.com
DLP® Products	www.dlp.com
DSP	dsp.ti.com
Clocks and Timers	www.ti.com/clocks
Interface	interface.ti.com
Logic	logic.ti.com
Power Mgmt	power.ti.com
Microcontrollers	microcontroller.ti.com
RFID	www.ti-rfid.com
OMAP Mobile Processors	www.ti.com/omap
Wireless Connectivity	www.ti.com/wirelessconnectivity

Applications

Automotive and Transportation	www.ti.com/automotive
Communications and Telecom	www.ti.com/communications
Computers and Peripherals	www.ti.com/computers
Consumer Electronics	www.ti.com/consumer-apps
Energy and Lighting	www.ti.com/energy
Industrial	www.ti.com/industrial
Medical	www.ti.com/medical
Security	www.ti.com/security
Space, Avionics and Defense	www.ti.com/space-avionics-defense
Video and Imaging	www.ti.com/video

TI E2E Community e2e.ti.com