

## TLV320AIC34EVM-K

This user's guide describes the characteristics, operation, and use of the TLV320AIC34EVM-K. This evaluation module (EVM) allows the user to evaluate the TLV320AIC34 audio codec. The TLV320AIC34 is a complete 4-channel audio codec with several inputs and outputs, extensive audio routing, mixing and effects capabilities. A complete circuit description, schematic diagram and bill of materials are also included. Note that the TLV320AIC34 only uses the I<sup>2</sup>C bus for register control. Any references to the SPI control bus in this document is due to the presence of this interface on the USB-MODEVM motherboard.

The following related documents are available through the Texas Instruments web site at [www.ti.com](http://www.ti.com).

### EVM-Compatible Device Data Sheets

Device	Literature Number
TLV320AIC34	<a href="#">SLAS538</a>
TAS1020B	<a href="#">SLES025</a>
REG1117-3.3	<a href="#">SBVS001</a>
TPS767D318	<a href="#">SLVS209</a>
SN74LVC125A	<a href="#">SCAS290</a>
SN74LVC1G125	<a href="#">SCES223</a>
SN74LVC1G07	<a href="#">SCES296</a>

### Contents

1	EVM Overview .....	3
2	EVM Description and Basics .....	3
3	TLV320AIC34EVM-K Setup and Installation .....	8
4	TLV320AIC34EVM Software.....	10
Appendix A	EVM Connector Descriptions .....	36
Appendix B	TLV320AIC34EVM Schematic .....	40
Appendix C	TLV320AIC34EVM Layout Views .....	41
Appendix D	TLV320AIC34EVM Bill of Materials .....	44
Appendix E	USB-MODEVM Schematic .....	45
Appendix F	USB-MODEVM Bill of Materials .....	46
Appendix G	USB-MODEVM Protocol .....	48

### List of Figures

1	TLV320AIC34EVM-K Block Diagram .....	4
2	Default Software Screen .....	9
3	I <sup>2</sup> C Address Selection Window .....	10
4	Default Configuration Tab .....	12
5	Audio Input Tab .....	13
6	Audio Interface Tab .....	15
7	Clocks Tab .....	16
8	GPIO Tab .....	18
9	AGC Tab .....	20
10	Left AGC Settings .....	21

I<sup>2</sup>S, I<sup>2</sup>C are trademarks of Koninklijke Philips Electronics N.V.  
 Windows is a trademark of Microsoft Corporation.  
 LabView is a trademark of National Instruments.  
 All other trademarks are the property of their respective owners.

11	Advanced.....	21
12	Filters Tab .....	22
13	ADC High Pass Filters .....	23
14	ADC Highpass Filter Settings .....	23
15	DAC Filters .....	24
16	De-emphasis Filters.....	24
17	Enabling Filters .....	25
18	Shelf Filters .....	25
19	EQ Filters .....	26
20	Analog Simulation Filters .....	26
21	Preset Filters .....	27
22	User Filters .....	27
23	3D Effect Settings .....	28
24	Output Stage Configuration Tab .....	29
25	DAC/Line Outputs Tab .....	31
26	High Power Outputs Tab .....	33
27	Command Line Interface Tab .....	34
28	File Menu .....	35
C-1	Assembly layer .....	41
C-2	Top Layer.....	41
C-3	Layer 3.....	42
C-4	Layer 4.....	42
C-5	Bottom Layer.....	43

#### List of Tables

1	USB-MODEVM SW2 Settings .....	5
2	List of Standalone Jumpers .....	5
3	List of Jumpers Connected to J17A (Digital Interface Signals).....	6
A-1	Block B Analog Interface Pin Out .....	36
A-2	Block A Analog Input/Output Connectors .....	37
A-3	Block A and Block B Digital Interface Pin Out.....	38
A-4	Power Supply Pin Out .....	39
D.1	TLV320AIC34EVM Bill of Materials.....	44
F-1	USB-MODEVM Bill of Materials .....	46
G-1	USB Control Endpoint HIDSETREPORT Request .....	48
G-2	Data Packet Configuration .....	48
G-3	GPIO Pin Assignments .....	51

## 1 EVM Overview

### 1.1 Features

- Full-featured evaluation board for the TLV320AIC34 4-channel audio codec.
- Modular design for use with a variety of digital signal processor (DSP) and microcontroller interface boards.
- USB connection to PC provides power, control, and streaming audio data for easy evaluation.
- On-board microphone for ADC evaluation
- Connection points for external control and digital audio signals for quick connection to other circuits/input devices.

The TLV320AIC34EVM-K is a complete evaluation kit, which includes a universal serial bus (USB)-based motherboard and evaluation software for use with a personal computer running the Microsoft Windows™ operating system (Win2000 or XP).

### 1.2 Introduction

The TLV320AIC34EVM is in Texas Instruments' modular EVM form factor, which allows direct evaluation of the device performance and operating characteristics, and eases software development and system prototyping. This EVM is compatible with the 5-6K Interface Evaluation Module ([SLAU104](#)) and the HPA-MCUINTERFACE ([SLAU106](#)) from Texas Instruments and additional third-party boards which supports the TI Modular EVM format.

The TLV320AIC34EVM-K is a complete evaluation/demonstration kit, which includes a USB-based motherboard called the USB-MODEVM Interface board and evaluation software for use with a personal computer running the Microsoft Windows operating systems.

The USB connection from the PC provides power, control, and streaming audio data to the EVM for reduced setup and configuration. The EVM also allows external control signals, audio data, and power for advanced operation, which allows prototyping and connection to the rest of the evaluation/development system.

## 2 EVM Description and Basics

This section provides information on the analog input and output, digital control, power and general connection of the TLV320AIC34EVM.

### 2.1 TLV320AIC34EVM-K Block Diagram

The TLV320AIC34EVM-K consists of two separate circuit boards, the USB-MODEVM and the TLV320AIC34EVM. The USB-MODEVM is built around a TAS1020B streaming audio USB controller with an 8051-based core.

The simple diagram below ([Figure 1](#)) shows the how the TLV320AIC34EVM is connected to the USB-MODEVM. The USB-MODEVM Interface board is intended to be used in USB mode, where control of the installed EVM is accomplished using the onboard USB controller device. Provision is made, however, for driving all the data buses (I<sup>2</sup>C, I<sup>2</sup>S, etc.) externally. The source of these signals is controlled by SW2 on the USB-MODEVM. Refer to [Table 1](#) for details on the switch settings.

### 2.1.1 USB-MODEVM Interface Board

The simple diagram shown in [Figure 1](#) shows only the basic features of the USB-MODEVM Interface board.

When connecting the TLV320AIC34EVM to the USB-MODEVM care must be used to avoid bending the connecting pins. The two boards can only be connected in one way. It is suggested to first align with the 10-pin connectors (J15B on the TLV320AIC34EVM and J18A on the USB-MODEVM) and then gently push all the connectors together until the boards are seated.

In the factory configuration, the board is ready to use with the TLV320AIC34EVM. To view all the functions and configuration options available on the USB-MODEVM board, see the USB-MODEVM Interface Board schematic in [Appendix](#).

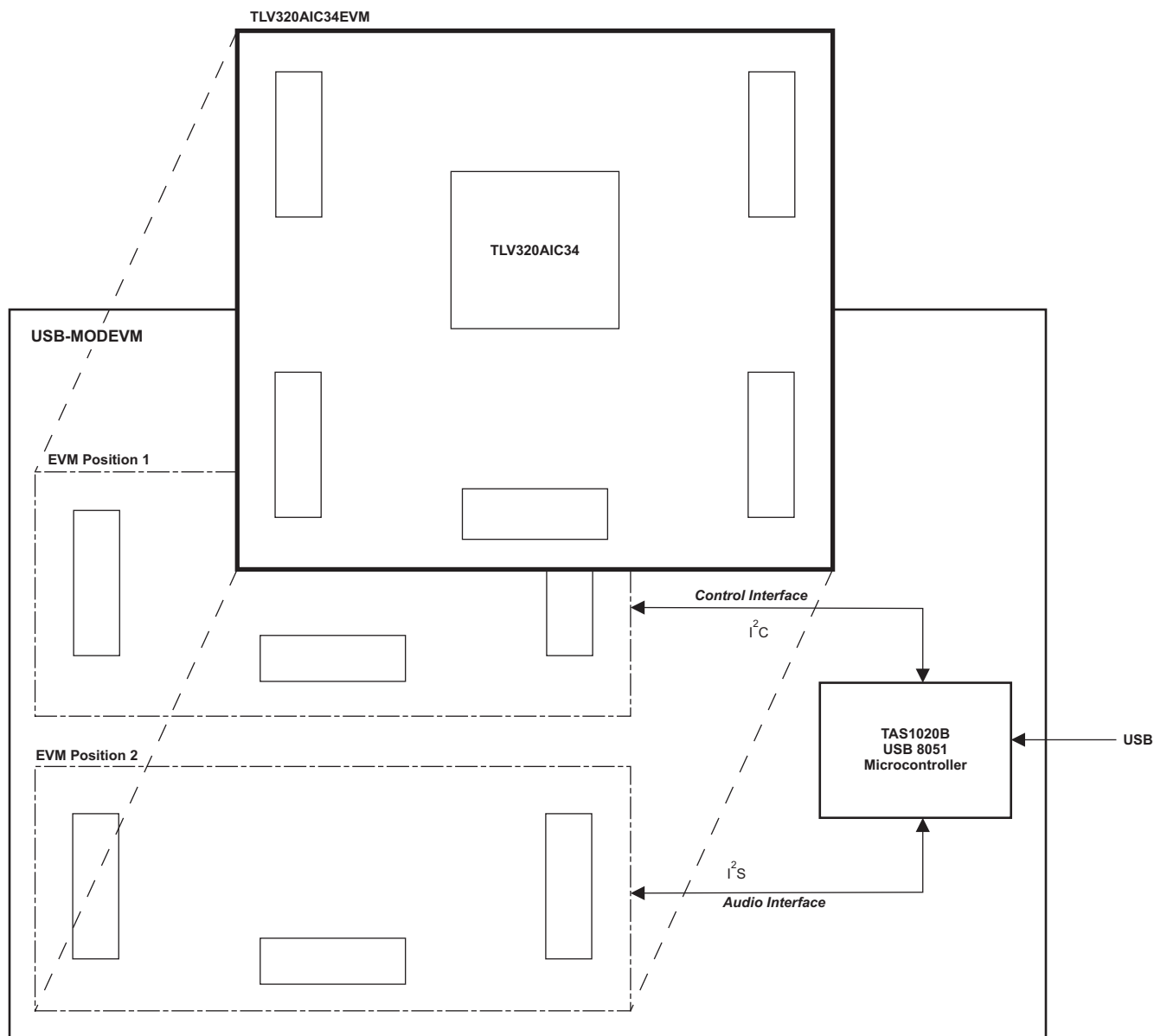


Figure 1. TLV320AIC34EVM-K Block Diagram

## 2.2 Default Configuration and Connections

### 2.2.1 USB-MODEVM

Table 1 provides a list of the SW2 settings on the USB-MODEVM. For use with the TLV320AIC34EVM, SW-2 positions 1 through 7 should be set to ON (LO), while SW-2.8 should be set to OFF (HI).

**Table 1. USB-MODEVM SW2 Settings**

SW-2 Switch Number	Label	Switch Description
1	A0	USB-MODEVM EEPROM I <sup>2</sup> C Address A0 ON: A0 = 0 OFF: A0 = 1
2	A1	USB-MODEVM EEPROM I <sup>2</sup> C Address A1 ON: A1 = 0 OFF: A1 = 1
3	A2	USB-MODEVM EEPROM I <sup>2</sup> C Address A2 ON: A2 = 0 OFF: A2 = 1
4	USB I <sup>2</sup> S	I <sup>2</sup> S Bus Source Selection ON: I <sup>2</sup> S Bus connects to TAS1020 OFF: I <sup>2</sup> S Bus connects to USB-MODEVM J14
5	USB MCK	I <sup>2</sup> S Bus MCLK Source Selection ON: MCLK connects to TAS1020 OFF: MCLK connects to USB-MODEVM J14
6	USB SPI	SPI Bus Source Selection ON: SPI Bus connects to TAS1020 OFF: SPI Bus connects to USB-MODEVM J15
7	USB RST	RST Source Selection ON: EVM Reset Signal comes from TAS1020 OFF: EVM Reset Signal comes from USB-MODEVM J15
8	EXT MCK	External MCLK Selection ON: MCLK Signal is provided from USB-MODEVM J10 OFF: MCLK Signal comes from either selection of SW2-5

### 2.2.2 TLV320AIC34EVM Jumper Locations

Table 2 and Table 3 provide a list of jumpers found on the EVM and their factory default conditions.

**Table 2. List of Standalone Jumpers**

Jumper	Default Position	Jumper Description
JMP1	2-3	When connecting 2-3, mic bias comes from the MICBIAS pin on the device; when connecting 1-2, mic bias is supplied from the power supply through a resistor, which the user must install.
JMP2	Installed	Connects on-board Mic to Left Microphone Input.
JMP3	Installed	Connects on-board Mic to Right Microphone Input.
JMP4	Installed	Provides a means of measuring IOVDD current.
JMP5	soldered	DRVDD power.
JMP6	soldered	DVDD power.
JMP7	soldered	DRVDD power.
JMP8	soldered	AVDD_DAC power.
JMP9	Installed	Connects Analog and Digital Grounds.
JMP10	Open	When installed, shorts across the output capacitor on HPLOUT_A; remove this jumper if using AC-coupled output drive.
JMP11	Open	When installed, shorts across the output capacitor on HPLCOM_A; remove this jumper if using AC-coupled output drive.
JMP12	Open	When installed, shorts across the output capacitor on HPROUT_A; remove this jumper if using AC-coupled output drive.
JMP13	Open	When installed, shorts across the output capacitor on HPLOUT_B; remove this jumper if using AC-coupled output drive.
JMP14	Open	When installed, shorts across the output capacitor on HPLCOM_B; remove this jumper if using AC-coupled output drive.
JMP15	Open	When installed, shorts across the output capacitor on HPROUT_B; remove this jumper if using AC-coupled output drive.

**Table 2. List of Standalone Jumpers (continued)**

Jumper	Default Position	Jumper Description
JMP16	Installed	When installed, shorts HPLCOM_A and HPRCOM_A. Use only if these signals are set to constant VCM and external feedback. Also, switch SW1 must be in the "Capless" position when installed.
JMP17	Open	When installed, shorts across the output capacitor on HPRCOM_A; remove this jumper if using AC-coupled output drive.
JMP18	Open	Selects on-board EEPROM as Firmware Source. Note that for this EVM the Firmware Source EEPROM is on the USB-MODEVM.
JMP19	Installed	When installed, allows the USB-MODEVM to hardware reset the device under user control
JMP20	Installed	When installed, shorts HPLCOM_B and HPRCOM_B. Use only if these signals are set to constant VCM and external feedback.
JMP21	Open	When installed, shorts across the output capacitor on HPRCOM_B; remove this jumper if using AC-coupled output drive.

**Table 3. List of Jumpers Connected to J17A (Digital Interface Signals)**

Signals	J17A Default Position	Jumper Description
BCLK_A and BCLK_B	pin 3 - pin 5	Connects Block A BCLK_A and Block B BLCK_B together for ease of evaluation. <b>When Block A and Block B use different digital clocks/data this jumper MUST be removed.</b>
WCLK_A and WCLK_B	pin 7 - pin 9	Connects Block A WCLK_A and Block B WLCK_B together for ease of evaluation. <b>When Block A and Block B use different digital clocks/data this jumper MUST be removed.</b>
DIN_A and DIN_B	pin 10 - pin 11	Connects Block A DIN_A and Block B DIN_B together for ease of evaluation. <b>When Block A and Block B use different digital clocks/data this jumper MUST be removed.</b>
DOU_T_A and DOU_T_B	open	Connects Block A DOU_T_A and Block B DOU_T_B together for ease of evaluation. <b>When Block A and Block B use different digital clocks/data this jumper MUST be removed. Also if both Block A and Block B are used together this jumper must be removed due to potential conflict on the DOU_T signals.</b>
MCLK_A and MCLK_B	pin 17 - pin 19	Connects Block A MCLK_A and Block B MCLK_B together for ease of evaluation. <b>When Block A and Block B use different digital clocks/data this jumper MUST be removed..</b>

## 2.3 Block A Analog Signal Connections

### 2.3.1 Block A Analog Inputs

The Block A analog inputs to the EVM can be connected through the analog headers J1, J2, J3, J4, J5, and J6 around the edge of the board. The connection details of each header/connector can be found in [Table A-2](#).

### 2.3.2 Block A Analog Output

The Block A analog outputs to the EVM can be connected through J7, J8, J9, J11, and J12 at the edges of the board. The connection details can be found in [Table A-2](#).

## 2.4 Block A Digital Signal Connections

### 2.4.1 Block A Digital Inputs and Outputs

The digital inputs and outputs of the EVM can be monitored through J16 and J17. If external signals need to be connected to the EVM, digital inputs should be connected via J14 and J15 on the USB-MODEVM and the SW2 switch should be changed accordingly (see [Section 2.2.1](#)). The connector details are available in [Section A.2](#).

## 2.4.2 Block A Digital Controls

The digital control signals can be applied directly to J16 and J17 (top or bottom side). The modular TLV320AIC34EVM can also be connected directly to a DSP interface board, such as the 5-6KINTERFACE or HPA-MCUINTERFACE, or to the USB-MODEVM Interface board (included in this EVM kit).

## 2.5 Block B Analog Signal Connections

### 2.5.1 Block B Analog Inputs

The Block B analog inputs to the EVM can be applied directly to J13 (top or bottom side). The connection details of each header/connector can be found in [Table A-1](#).

### 2.5.2 Block B Analog Output

The Block B analog outputs to the EVM can be connected through J13 and J14 (top or bottom). The connection details can be found in [Table A-1](#).

## 2.6 Block B Digital Signal Connections

### 2.6.1 Block B Digital Inputs and Outputs

The digital inputs and outputs of the EVM can be monitored through J16 and J17. If external signals need to be connected to the EVM, digital inputs should be connected via J14 and J15 on the USB-MODEVM and the SW2 switch should be changed accordingly (see [Section 2.2.1](#)). The connector details are available in [Section A.2](#).

### 2.6.2 Block B Digital Controls

The digital control signals can be applied directly to J16 and J17 (top or bottom side). The modular TLV320AIC34EVM can also be connected directly to a DSP interface board, such as the 5-6KINTERFACE or HPA-MCUINTERFACE, or to the USB-MODEVM Interface board (included in this EVM kit).

## 2.7 Power Connections

The TLV320AIC34 can be powered independently when being used in stand-alone operation or by the USB-MODEVM when it is plugged onto the motherboard.

### 2.7.1 Stand-Alone Operation

When used as a stand-alone , power is applied to J15 directly, making sure to reference the supplies to the appropriate grounds on that connector.

#### CAUTION

**Before** applying power to the EVM you **must** verify that all power supplies are within the **safe operating limits** as indicated in the [TLV320AIC34 data sheet](#).

J15 provides connection to the common power bus for the TLV320AIC34EVM. Power is supplied on the pins listed in [Table A-4](#).

The TLV320AIC34EVM-K motherboard (the USB-MODEVM Interface board) supplies power to J15 of the TLV320AIC34EVM. Power for the motherboard is supplied either through its USB connection or via terminal blocks on that board.

### 2.7.2 USB-MODEVM Operation

The USB-MODEVM Interface board can be powered from several different sources:

- USB
- 6Vdc-10Vdc AC/DC external wall supply (not included)
- Lab power supply

When powered from the USB connection, JMP6 should have a shunt from pins 1–2 (this is the default factory configuration). When powered from 6V-10Vdc, either through the J8 terminal block or J9 barrel jack, JMP6 should have a shunt installed on pins 2–3. If power is applied in any of these ways, onboard regulators generate the required supply voltages and no further power supplies are necessary.

If lab supplies are used to provide the individual voltages required by the USB-MODEVM Interface, JMP6 should have no shunt installed. Voltages are then applied to J2 (+5VA), J3 (+5VD), J4 (+1.8VD), and J5 (+3.3VD). The +1.8VD and +3.3VD can also be generated on the board by the onboard regulators from the +5VD supply; to enable this configuration, the switches on SW1 need to be set to enable the regulators by placing them in the ON position (lower position, looking at the board with text reading right-side up). If +1.8VD and +3.3VD are supplied externally, disable the onboard regulators by placing SW1 switches in the OFF position.

Each power supply voltage has an LED (D1-D7) that lights when the power supplies are active.

## 3 TLV320AIC34EVM-K Setup and Installation

The following section provides information on using the TLV320AIC34EVM-K, including set up, program installation, and program usage.

---

**Note:** If using the EVM in stand-alone mode, the software should be installed per below, but the hardware configuration may be different.

---

### 3.1 Software Installation

1. Locate installation file on the CD-ROM include with the EVM or download the latest version of the software located on the [AIC34 Product Page](#).
2. Unzip the installation file by clicking on the self-extracting zip file.
3. Install the EVM software by double-clicking the **Setup** executable and follow the directions. The user may be prompted to restart their computer.

This should install all the TLV320AIC34 software and required drivers onto the PC.



### 3.2 EVM Connections

1. Ensure that the TLV320AIC34EVM is installed on the USB-MODEVM Interface board, aligning J13, J14, J15, J16, J17 with the corresponding connectors on the USB-MODEVM.
2. Verify that the jumpers and switches are in their default conditions.
3. Attach a USB cable from the PC to the USB-MODEVM Interface board. The default configuration will provide power, control signals, and streaming audio via the USB interface from the PC. On the USB-MODEVM, LEDs D3-6 should light to indicate the power is being supplied from the USB.
4. For the first connection, the PC should recognize new hardware and begin an initialization process. The user may be prompted to identify the location of the drivers or allow the PC to automatically search for them. Allow the automatic detection option.
5. Once the PC confirms that the hardware is operational, D2 on the USB-MODEVM should light to indicate that the firmware has been loaded and the EVM is ready for use. If the LED is not lighted, verify that the drivers were installed and trying to unplug and restart at Step 3.

After the TLV320AIC34EVM-K software installation (described in [Section 3.2](#)) is complete, evaluation and development using the target TLV320AIC34 can begin.

The TLV320AIC34EVM software can now be launched. The user should see an initial screen that looks similar to [Figure 2](#).

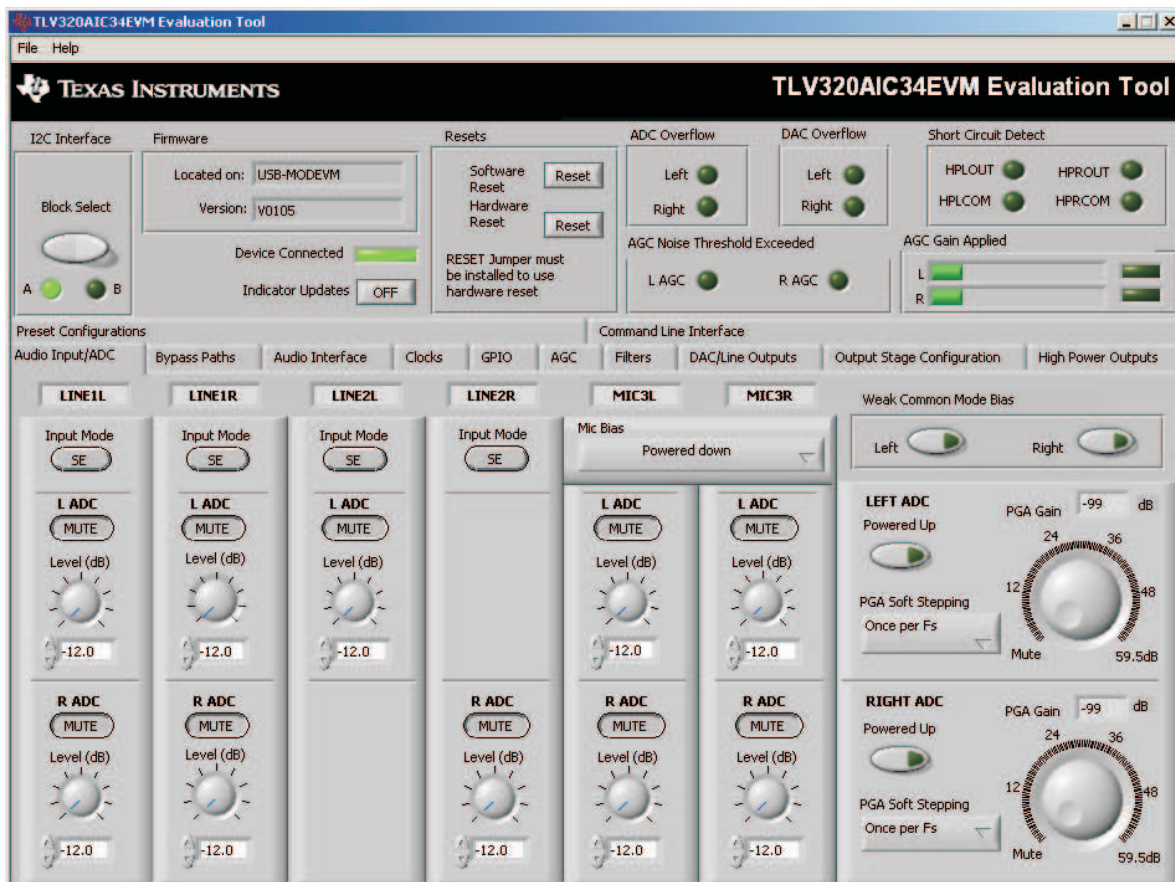


Figure 2. Default Software Screen

## 4 TLV320AIC34EVM Software

The following section discusses the details and operation of the EVM software.

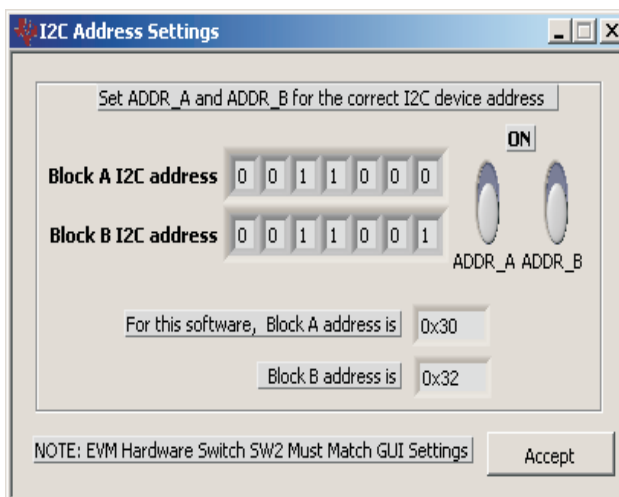
---

**Note:** For configuration of the codec, the TLV320AIC34 block diagram located in the [TLV320AIC34](#) data sheet is a good reference to help determine the signal routing.

---

### 4.1 I<sup>2</sup>C Address Selection

When the software is run, a window appears which allows for selecting the I<sup>2</sup>C address of the TLV320AIC34. This window (see [Figure 3](#)) has two controls for setting the state of **ADDR\_A** and **ADDR\_B**. To allow proper communication with the EVM, these should match the settings of SW2 located on the EVM ([Table 2](#)). When **ADDR\_A** and **ADDR\_B** are adjusted, the correct device address for Block A and Block B will be shown. Note that the actual I<sup>2</sup>C address shown and the address for the software may be different. This is done for programming reasons and the correct address should be used for system development.



**Figure 3. I<sup>2</sup>C Address Selection Window**

---

**Note:** For operation of the EVM in the default state, no changes are required on this panel. The default setting for the GUI software and the default setting for the EVM hardware are configured so that Block A address is 0x30 and Block B address is 0x32 as shown. This corresponds to SW2 on the TLV320AIC34EVM being in position LO-LO.

---

## 4.2 Front Page Indicators and Functions

Figure 2 illustrates the main screen of the EVM software. The indicators and buttons located above the tabbed section of the front page are visible regardless of which tab is currently being selected.

At the top left of the screen is an **Block Select** control. This control allows the user to select either Block A or Block B as the target for the GUI controls. When the Block A indicator is green the register writes use the I2C address for Block A. Likewise, When the Block B indicator is green the register writes use the I2C address for Block B.

To the right of the Block Select control is a group box called Firmware . This box indicates where the firmware being used is operating from—in this release, the firmware is on the USB-MODEVM, so the user should see *USB-MODEVM* in the box labeled **Located On:**. The version of the firmware appears in the **Version** box below this.

To the right, the next group box contains controls for resetting the TLV320AIC34EVM. A software reset can be done by writing to a register in the TLV320AIC34EVM, and this is accomplished by pushing the button labeled **Software Reset**. The TLV320AIC34EVM also may be reset by toggling a pin on the TLV320AIC34EVM, which is done by pushing the **Hardware Reset** button. JMP19 on the EVM is installed to allow the reset to reach the TLV320AIC34.

### CAUTION

The GUI software does NOT keep track of register settings when toggling between Block A and Block B. When using both Block A and Block B register updates it is recommended to either use I<sup>2</sup>C scripts for both blocks or use GUI controls for one block and I<sup>2</sup>C scripts for the other block. **Toggling between Block A and Block B is not recommended.**

Below the **Firmware** box, the **Device Connected** LED should be green when the EVM is connected. If the indicator is red, the EVM is not properly connected to the PC. Disconnect the EVM and verify that the drivers were correctly installed, then reconnect and try restarting the software.

One the upper right portion of the screen, several indicators are located which provide the status of various portions of the TLV320AIC34. These indicators are activated by pressing the **Indicator Updates** button below the **Device Connected** LED. These indicators, as well as the other indicators on this panel, are updated only when the software's front panel is inactive, once every 20ms.

The **ADC Overflow** and **DAC Overflow** indicators light when the overflow flags are set in the TLV320AIC34. Below these indicators are the **AGC Noise Threshold Exceeded** indicators that show when the AGC noise threshold is exceeded. To the far right of the screen, the **Short Circuit Detect** indicators show when a short-circuit condition is detected, if this feature has been enabled. Below the short-circuit indicators, the **AGC Gain Applied** indicators use a bar graph to show the amount of gain which has been applied by the AGC, and indicators that light when the AGC is saturated.

### 4.3 Default Configuration (Presets) Tab

The Default Configuration Tab [Figure 4](#) provides several different preset configurations of the codec. The **Preset Configurations** buttons allow the user to choose from the provided defaults. When the selection is made, the **Preset Configuration Description** shows a summary of the codec setup associated with the choice made. If the choice is acceptable, the **Load** button can be pressed and the preset configuration will be loaded into the codec. The user can change to the **Command Line Interface** Tab (see [Figure 27](#)) to view the actual settings that were programmed into the codec.

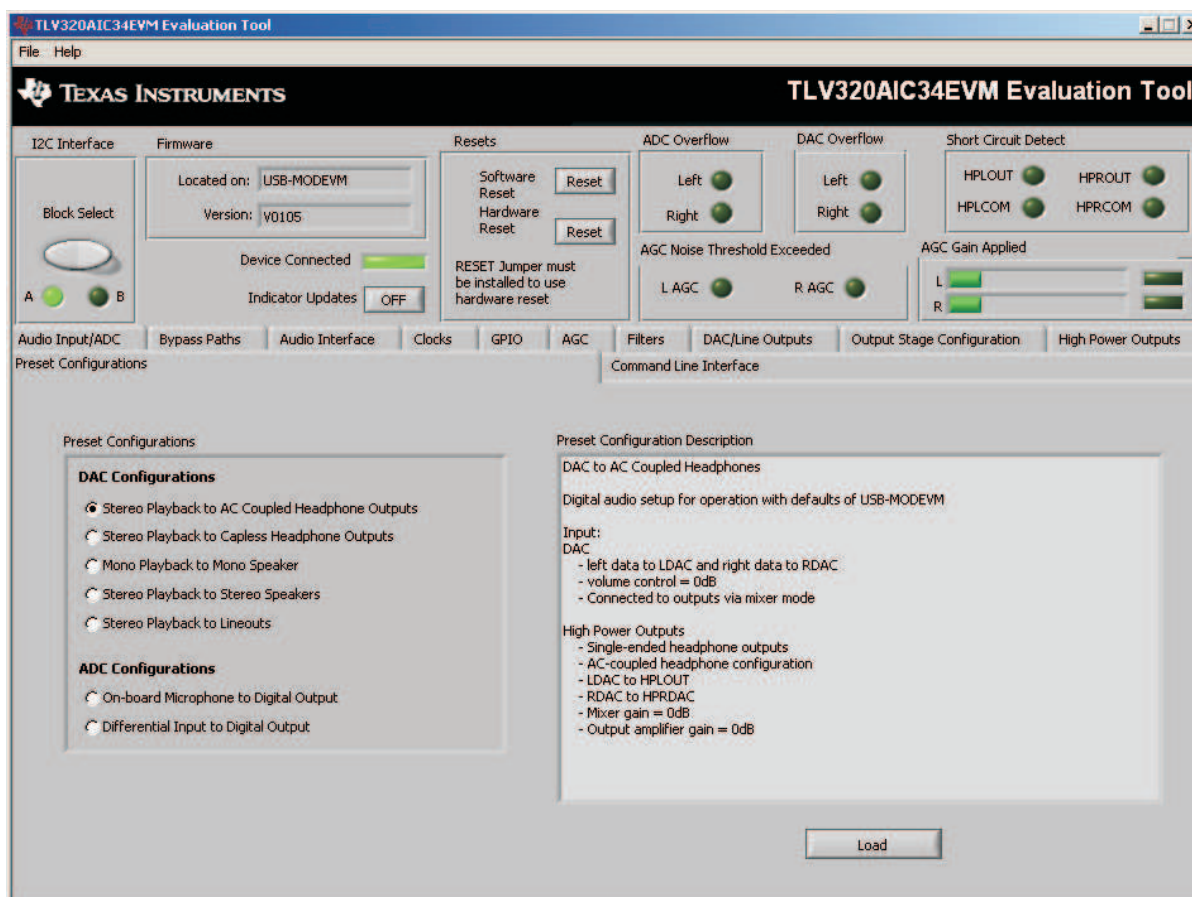


Figure 4. Default Configuration Tab

## 4.4 Audio Input/ADC Tab

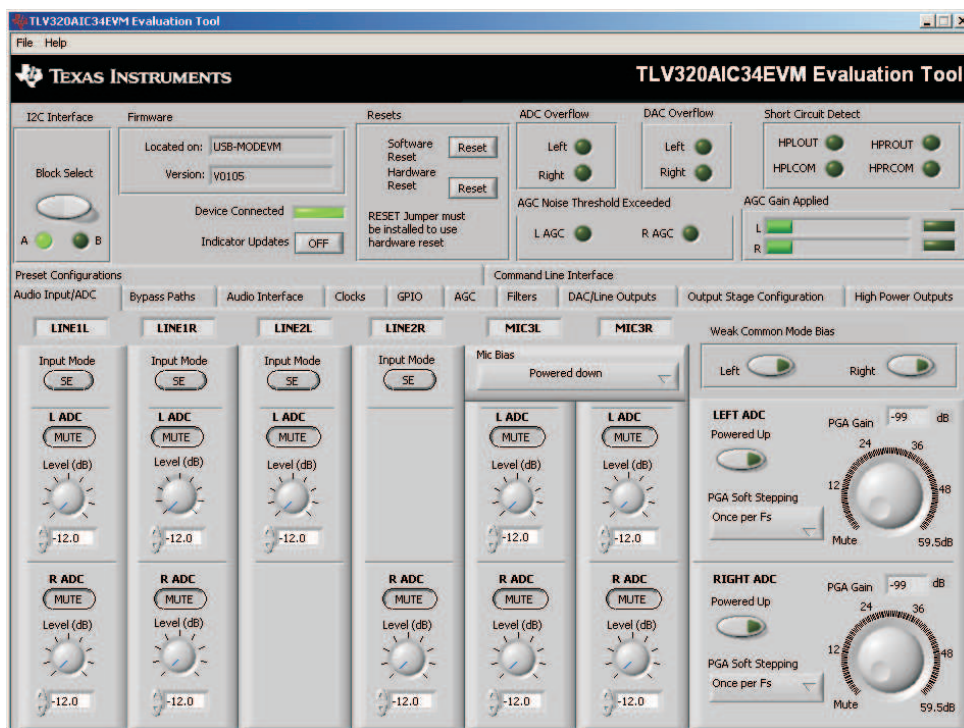


Figure 5. Audio Input Tab

The **Audio Input/ADC** Tab allows control of the analog input mixer and the ADC. The controls are displayed to look similar to an audio mixing console (see Figure 5). Each analog input channel has a vertical strip that corresponds to that channel. By default, all inputs are muted when the TLV320AIC34 is powered up.

To route an analog input to the ADC:

1. Select the **Input Mode** button to correctly show if the input signal is single-ended (*SE*) or fully-differential (*Diff*). Inputs that are single-ended should be made to the positive signal terminal.
2. Click on the button of the analog input channel that corresponds to the correct ADC. The caption of the button should change to *Active*. Note that the user can connect some channels to both ADCs, while others will only connect to one ADC.
3. Adjust the **Level** control to the desired attenuation for the connected channel. This level adjustment can be done independently for each connection.

The TLV320AIC34 offers a programmable microphone bias that can either be powered down or set to 2.0V, 2.5V, or the power supply voltage of the ADC (AVDD\_ADC). Control of the microphone bias (mic bias) voltage is accomplished by using the **Mic Bias** pull-down menu button above the last two channel strips. To use the on-board microphone, JMP2 and JMP3 must be installed and nothing should be plugged into J6. In order for the mic bias settings in the software to take effect, JMP1 should be set to connect positions 2 and 3, so that MICBIAS\_A is controlled by the TLV320AIC34. MICBIAS\_B is available at J13-pin 14.

In the upper right portion of this tab are controls for **Weak Common Mode Bias**. Enabling these controls will result in unselected inputs to the ADC channels to be weakly biased to the ADC common mode voltage.

Below these controls are the controls for the ADC PGA, including the master volume controls for the ADC inputs. Each channel of the ADC can be powered up or down as needed using the **Powered Up** buttons. PGA soft-stepping for each channel is selected using the pull-down menu control. The two large knobs set the actual **ADC PGA Gain** and allow adjustment of the PGA gains from 0dB to 59.5dB in 0.5dB steps (excluding Mute). At the extreme counterclockwise rotation, the channel is muted. Rotating the knob clockwise increases the PGA gain, which is displayed in the box directly above the volume control.

## 4.5 Audio Interface Tab

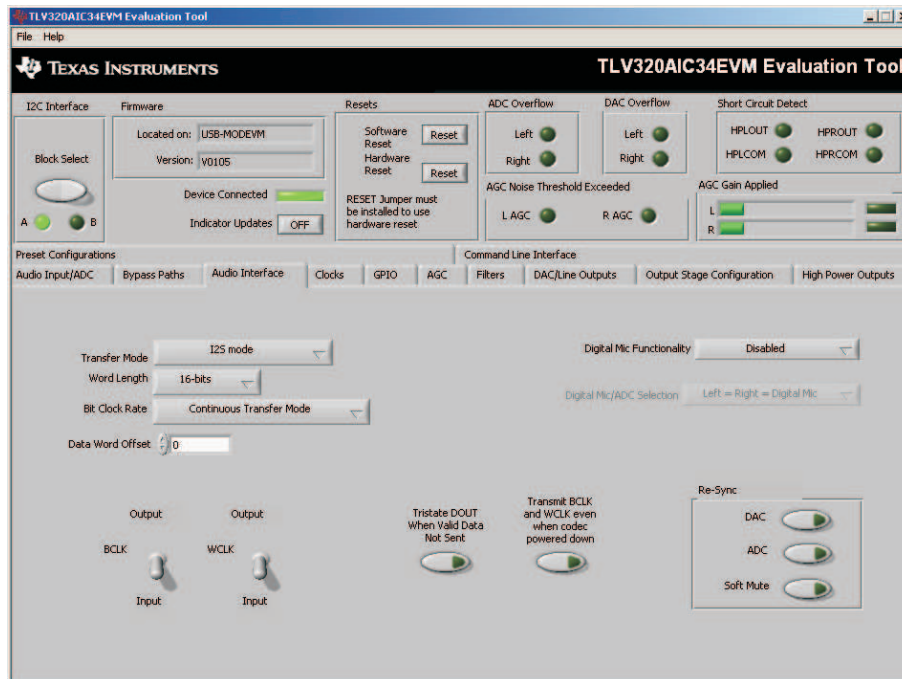


Figure 6. Audio Interface Tab

The Audio Interface tab (Figure 6) allows configuration of the audio digital data interface to the TLV320AIC34.

The interface mode may be selected using the **Transfer Mode** control—selecting either I<sup>2</sup>S mode, DSP mode, or Right- or Left-Justified modes. Word length can be selected using the **Word Length** control, and the bit clock rate can also be selected using the **Bit Clock** rate control. The **Data Word Offset**, used in TDM mode (see the [product data sheet](#)) can also be selected on this tab.

Along the bottom of this tab are controls for choosing the **BCLK** and **WCLK** as being either inputs or outputs. With the codec configured in *Slave* mode, both the BCLK and WCLK are set to inputs. If the codec is in *Master* mode, then BCLK and WCLK are configured as outputs. Additionally, two buttons provide the options for 3-stating the DOUT line when there is not valid data and transmitting BCLK and WCLK when the codec is powered down.

Re-sync of the audio bus is enabled using the controls in the lower right corner of this screen. Re-sync is done if the group delay changes by more than  $\pm FS/4$  for the ADC or DAC sample rates (see the [TLV320AIC34](#) data sheet). The channels can be soft muted when doing the re-sync if the **Soft Mute** button is enabled.

In the upper right corner of this tab is the **Digital Mic Functionality** control. The TLV320AIC34 can accept a data stream from a digital microphone, which would have its clock pin connected to the TLV320AIC34 GPIO1 pin, and the mic data connected to the GPIO2 pin. Once the digital microphone functionality is enabled, the **Digital Mic/ADC Selection** selection allows the user to choose if one or two digital microphones are connected to the codec. If only one digital microphone is connected, then the remaining ADC can be used with an analog input signal from the analog input pins. Refer to section [Section 4.7](#) for a discussion of setting the GPIO pin options. The TLV320AIC34 can provide a modulator clock to the digital microphone with oversampling ratios (OSR) of 128, 64, or 32. For a detailed discussion of how to connect a digital microphone, refer to the application note *Using the Digital Microphone Function on TLV320AIC33EVM with AIC33EVM/USB-MODEVM System* (literature number [SLAA275](#)), available for download at [www.ti.com](http://www.ti.com).

The default mode for the EVM is configured as 44.1kHz, 16-bit, I<sup>2</sup> words, and the codec is a slave (BCLK and WCLK are supplied to the codec externally). For use with the PC software and the USB-MODEVM, the default settings should be used; no change to the software are required.

## 4.6 Clocks Tab

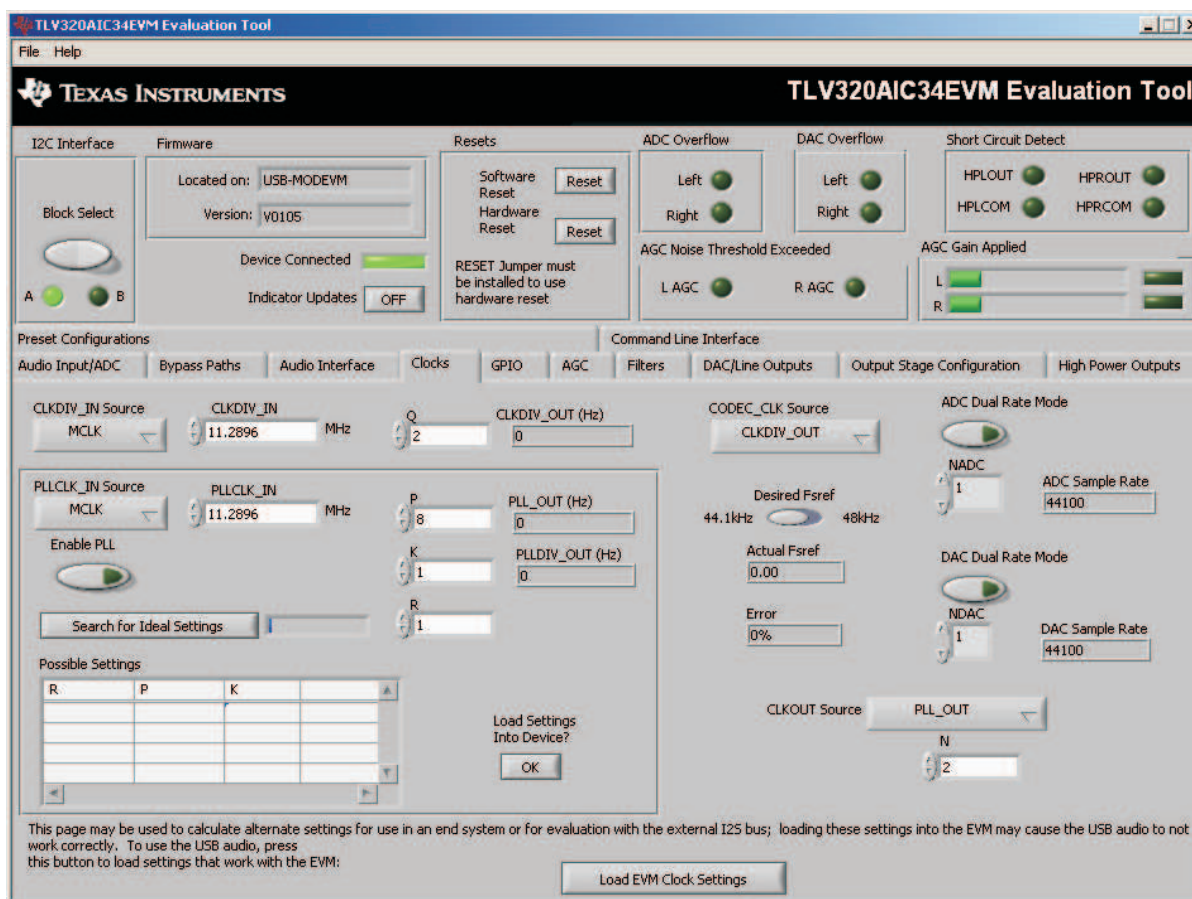


Figure 7. Clocks Tab

The TLV320AIC34 provides a phase-locked loop (PLL) that allows flexibility in the clock generation for the ADC and DAC sample rates. The Clocks tab contains the controls that can be used to configure the TLV320AIC34 for operation with a wide range of master clocks. See the Audio Clock Generation Processing figure in the [TLV320AIC34](#) data sheet for further details of selecting the correct clock settings.

For use with the PC software and the USB-MODEVM, the clock settings must be set a certain way. If the settings are changed from the default settings which allow operation from the USB-MODEVM clock reference, the EVM settings can be restored automatically by pushing the **Load EVM Clock Settings** button at the bottom of this tab. Note that changing any of the clock settings from the values loaded when this button is pushed may result in the EVM not working properly with the PC software or USB interface. If an external audio bus is used (audio not driven over the USB bus), then settings may be changed to any valid combination. See [Figure 7](#).

### 4.6.1 Configuring the codec clocks and Fsref calculation

The codec clock source is chosen by the **CODEC\_CLK Source** control. When this control is set to *CLKDIV\_OUT*, the PLL is not used; when set to *PLLDIV\_OUT*, the PLL is used to generate the clocks.

---

**Note:** Per the [TLV320AIC34](#) data sheet, the codec should be configured to allow the value of Fsref to fall between the values of 39kHz to 53kHz.

---



#### 4.6.1.1 Use Without PLL

Setting up the TLV320AIC34 for clocking without using the PLL permits the lowest power consumption by the codec. The **CLKDIV\_IN** source can be selected as either *MCLK*, *GPIO2*, or *BCLK*, the default is *MCLK*. The **CLKDIV\_IN** frequency is then entered into the **CLKDIV\_IN** box, in megahertz (MHz). The default value shown, 11.2896MHz, is the frequency used on the USB-MODEVM board. This value is then divided by the value of **Q**, which can be set from 2 to 17; the resulting **CLKDIV\_OUT** frequency is shown in the indicator next to the **Q** control. The result frequency is shown as the *Actual Fsref*.

#### 4.6.1.2 Use With The PLL

When **PLLDIV\_OUT** is selected as the codec clock source, the PLL will be used. The PLL clock source is chosen using the **PLLCLK\_IN** control, and may be set to either *MCLK*, *GPIO2*, or *BCLK*. The **PLLCLK\_IN** frequency is then entered into the **PLLCLK\_IN Source** box.

The **PLL\_OUT** and **PLLDIV\_OUT** indicators show the resulting PLL output frequencies with the values set for the **P**, **K**, and **R** parameters of the PLL. See the [TLV320AIC34](#) data sheet for an explanation of these parameters. The parameters can be set by clicking on the up/down arrows of the **P**, **K**, and **R** combo boxes, or they can be typed into these boxes.

The values can also be calculated by the PC software. To use the PC software to find the ideal values of **P**, **K**, and **R** for a given PLL input frequency and desired **Fsref**:

1. Verify the correct reference frequency is entered into the **PLLCLK\_IN Source** box in megaHertz (MHz)
2. The desired **Fsref** should be set using the **Fsref** switch.
3. Push the **Search for Ideal Settings** button. The software will start searching for ideal combinations of **P**, **K**, and **R** which achieve the desired **Fsref**. The possible settings for these parameters are displayed in the spreadsheet-like table labeled *Possible Settings*.
4. Click on a row in this table to select the **P**, **K**, and **R** values located in that row. Notice that when this is done, the software updates the **P**, **K**, **R**, **PLL\_OUT** and **PLLDIV\_OUT** readings, as well as the *Actual Fsref* and *Error* displays. The values show the calculations based on the values that were selected. This process does not actually load the values into the TLV320AIC34, however; it only updates the displays in the software. If more than one row exists, the user can choose the other rows to see which of the possible settings comes closest to the ideal settings.

When a suitable combination of **P**, **K**, and **R** have been chosen, pressing the **Load Settings into Device?** button will download these values into the appropriate registers on the TLV320AIC34.

#### 4.6.1.3 Setting the ADC and DAC Sampling Rates

The **Fsref** frequency that is determine either enabling or bypassing the PLL (see [Section 4.6.1.1](#) or [Section 4.6.1.2](#)) is used to determine the actual ADC and DAC sampling rates. Using the **NADC** and **NDAC** factors the sampling rates are derived from the **Fsref**. If dual rate mode is desired, this option can be enabled for either the ADC or DAC by pressing the corresponding **Dual Rate Mode** button. The ADC and DAC sampling rates are shown in the box to the right of each control.

## 4.7 GPIO Tab

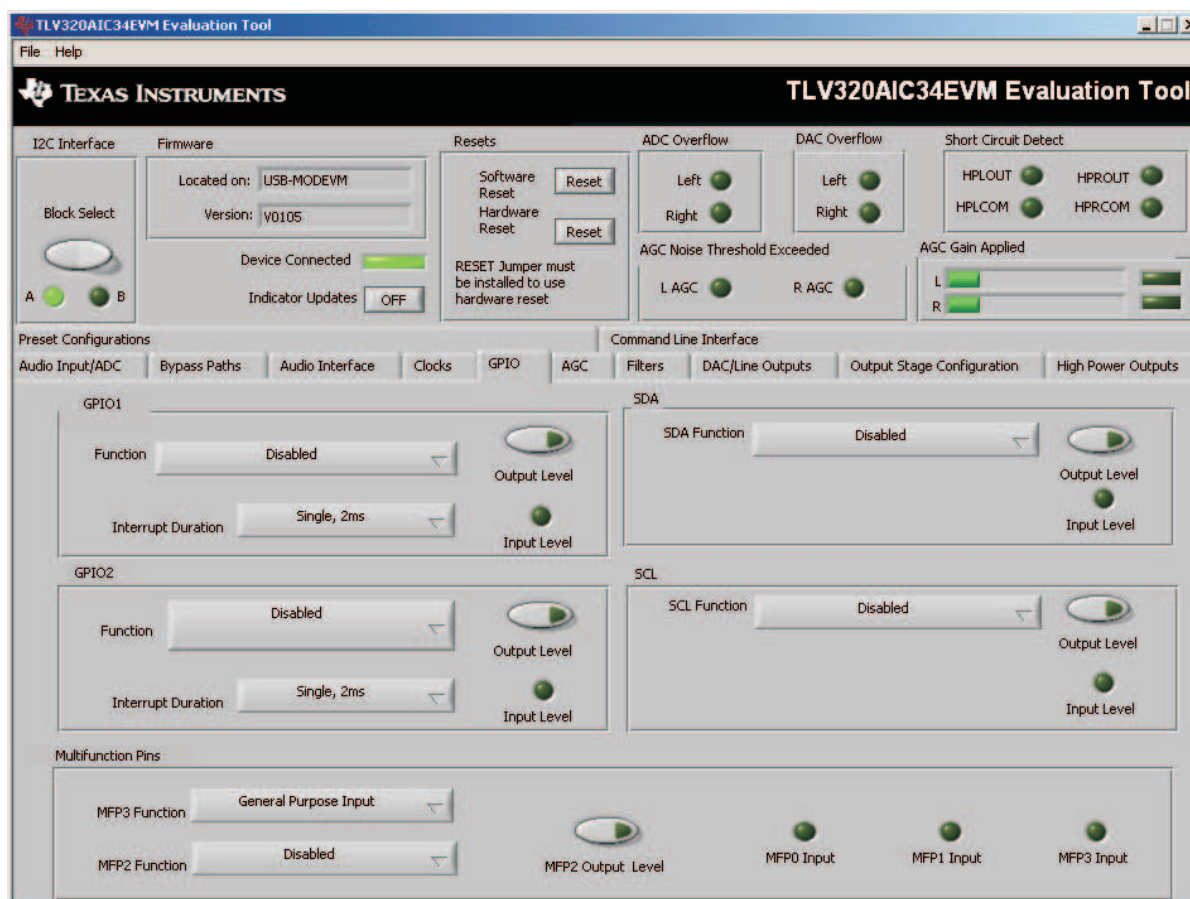


Figure 8. GPIO Tab

The GPIO tab (see Figure 8) selects options for the general-purpose inputs and outputs (GPIO) of the TLV320AIC34. Many pins on the TLV320AIC34 are denoted as *multifunction* pins, meaning they may be used for many different purposes.

The **GPIO1** groupbox contains controls for setting options for the GPIO1 pin. The **Function** control selects the function of GPIO1 from the following:

- ADC Word Clock
- An output clock derived from the reference clock (see [TLV320AIC34](#) data sheet)
- Interrupt output pin to signal:
  - Short Circuit
  - AGC Noise Threshold detection
  - Jack/Headset detection
    - For use as an interrupt output, the behavior of the interrupt can be selected using the **Interrupt Duration** control. A *Single, 2ms* pulse can be delivered when the selected interrupt occurs, or *Continuous Pulses* can be generated signaling the interrupt.
- Alternate I<sup>2</sup>S Word Clock
- A digital microphone output–modulator clock for use with a digital microphone (see [Section 4.5](#) and the [TLV320AIC34](#) data sheet).
- A general-purpose I/O pin
  - If selected as a *General Purpose Input*, the state of the GPIO1 pin is reflected by the **Input Level** indicator. If selected as a *General Purpose Output*, the state of the GPIO1 pin can be set by using the **Output Level** button.

In similar fashion, the GPIO2 pin can be configured as the following using the **Function** control in the **GPIO2** groupbox.

- An alternate I<sup>2</sup>S bus
- An interrupt output
- A general-purpose I/O pin
- A digital microphone input

The other controls in this groupbox work the same as the corresponding controls for GPIO1.

The control interface for the TLV320AIC34 is always selected to be I<sup>2</sup>C so the **SDA** and **SCL** groupboxes and controls within them are disabled.

The **MFP3 Function** control selects MFP3 to be used either as a *General Purpose Input* or as the data input line for the alternate I<sup>2</sup>S bus. The **MFP2 Function** control selects MFP2 as either *Disabled* or as a *General Purpose Output*. When used as an output, the **MFP2 Output Level** control sets the output state of the MFP2 pin either high or low. The states of the MFP0, MFP1 and MFP3 inputs are indicated by the three indicator lights on the right-hand side of this groupbox.

## 4.8 AGC Tab

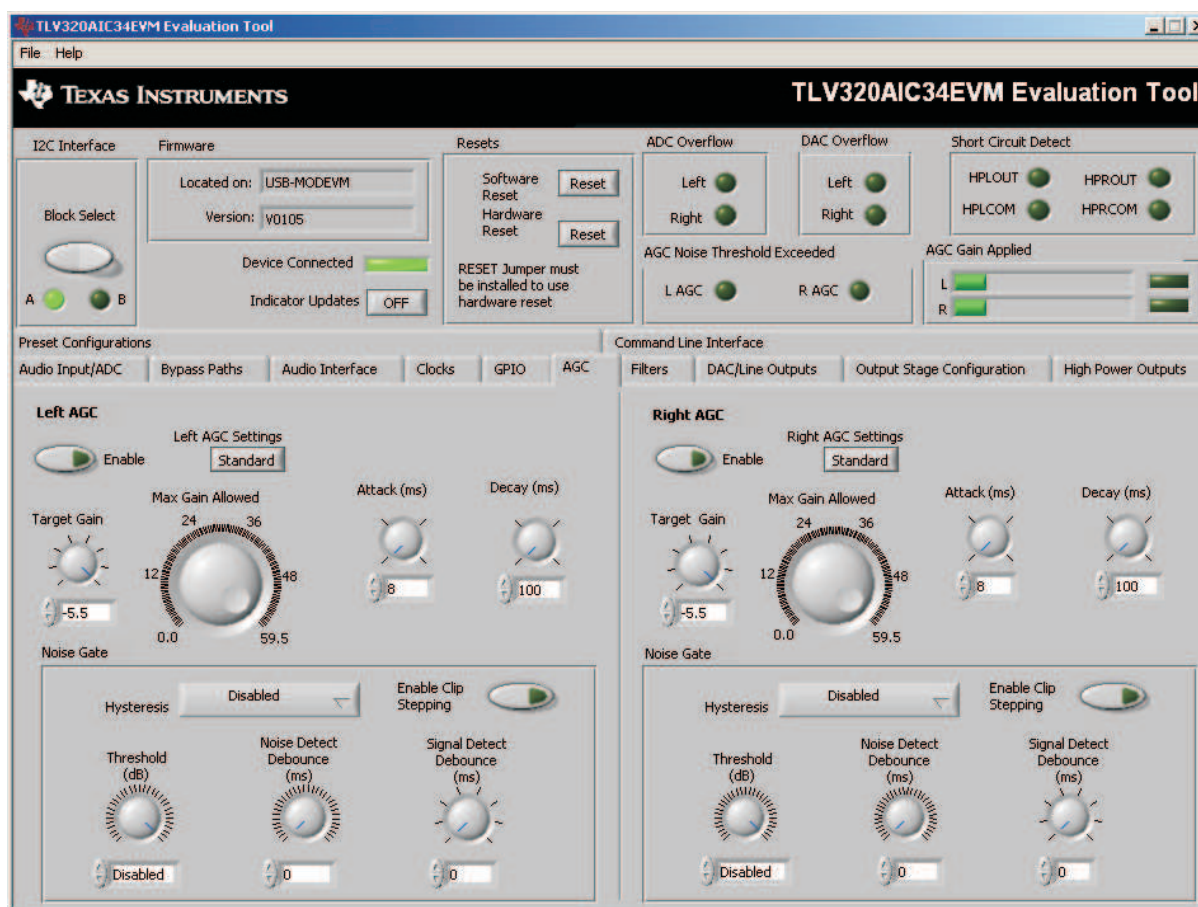


Figure 9. AGC Tab

The AGC tab (see [Figure 9](#)) consists of two identical sets of controls, one for the left channel and the other for the right channel. The AGC function is described in the [TLV320AIC34](#) data sheet.

The AGC can be enabled for each channel using the **Enable AGC** button. **Target** gain, **Attack** time in milliseconds, **Decay** time in milliseconds, and the **Maximum PGA Gain Allowed** can all be set, respectively, using the four corresponding knobs in each channel.

The TLV320AIC34 allows for the Attack and Decay times of the AGC to be setup in two different modes, standard and advanced. The **Left/Right AGC Settings** button determines the mode selection. The *Standard* mode provides several preset times that can be selected by adjustments made to the **Attack** and **Decay** knobs. If finer control over the times is required, then the *Advanced* mode is selected to change to the settings. When the *Advanced* mode is enabled, two tabs should appear that allow separate, advanced control of the Attack and Delay times of the AGC (see [Figure 10](#) and [Figure 11](#)). These options allow selection of the base time as well as a multiplier to achieve the actual times shown in the corresponding text box. The **Use advanced settings?** button should be enabled to program the registers with the correct values selected via the pull-down options for base time and multiplier.

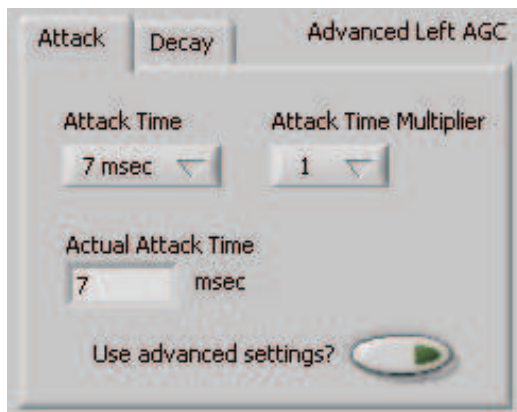


Figure 10. Left AGC Settings

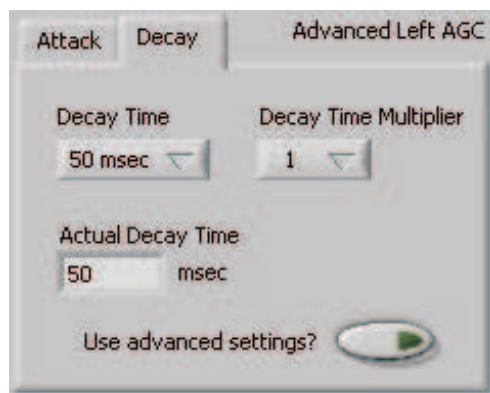


Figure 11. Advanced

Noise gate functions, such as **Hysteresis**, **Enable Clip stepping**, **Threshold (dB)**, **Signal Detect Debounce (ms)**, and **Noise Detect Debounce (ms)** are set using the corresponding controls in the **Noise Gate** groupbox for each channel.

## 4.9 Filters Tab

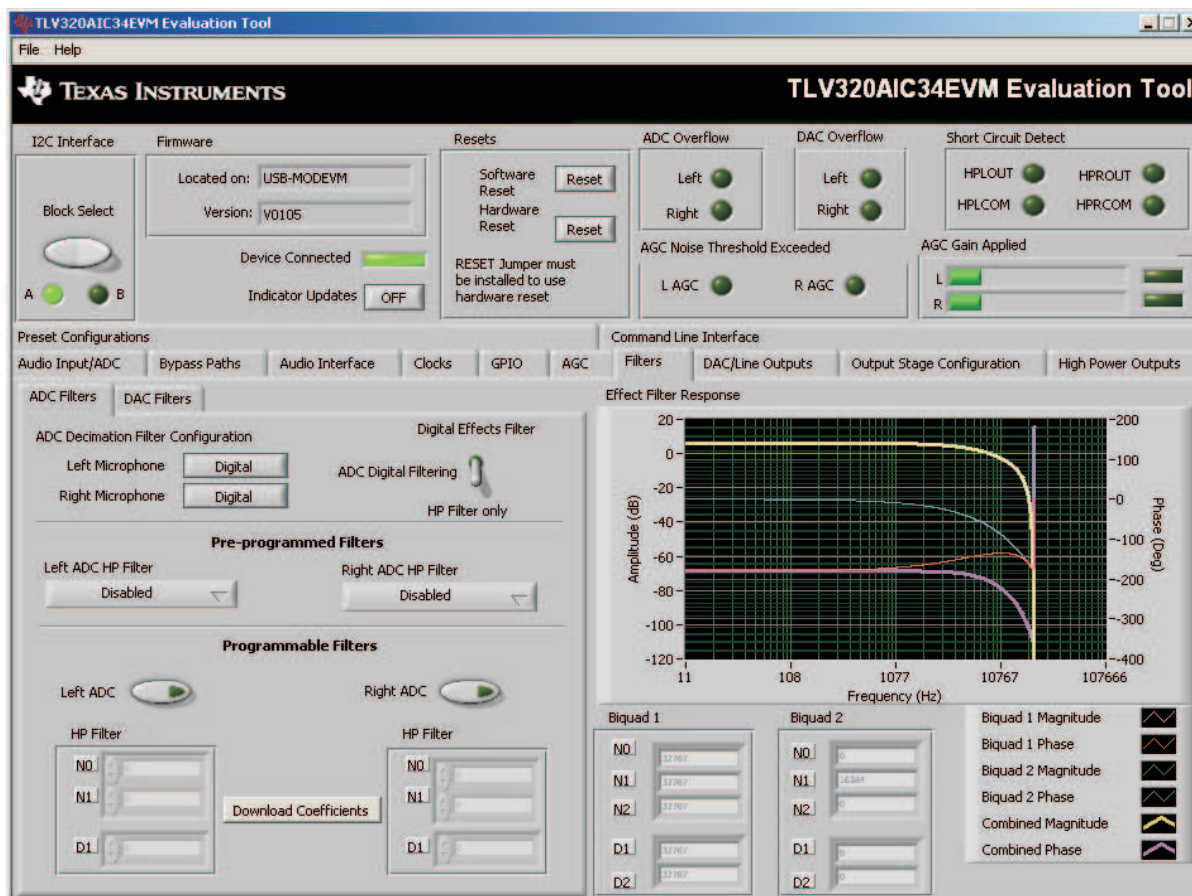


Figure 12. Filters Tab

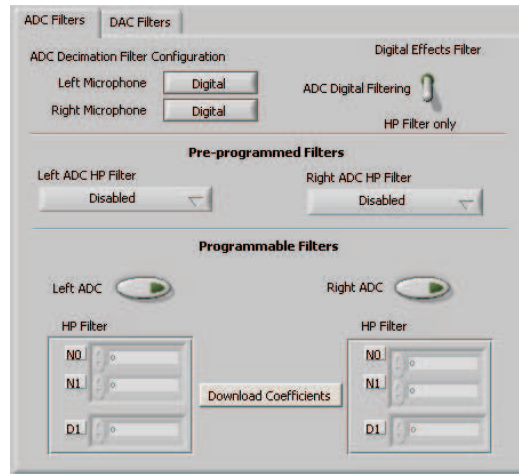
The TLV320AIC34 has an advanced feature set for applying digital filtering to audio signals. This tab controls all of the filter features of the TLV320AIC34. In order to use this tab and have plotting of filter responses correct, the DAC sample rate must be set correctly. Therefore, the clocks must be set up correctly in the software following the discussion in [Section 4.6](#). See [Figure 12](#).

The AIC34 digital filtering is available to both the ADC and DAC. The ADC has optional high pass filtering and allows the digital output from the ADC through digital effects filtering before exiting the codec through the PCM interface. Likewise, the digital audio data can be routed through the digital effects filtering before passing through the optional de-emphasis filter before the DAC. The digital effects filtering can only be connected to either the ADC or DAC, not both at the same time.

The [Figure 12](#) is divided into several areas. The left side of the tab, is used to select between the DAC or ADC filters and assist in the selection and calculating the desired filter coefficients. The right hand side of the tab shows a frequency response plot of the digital effects filter selected and the coefficients that are programmed into the device. The plots show the magnitude and phase response of each biquad section, plus the combined responses of the two biquad filters. Note that the plot shows only the responses of the effect filters, not the combined response of those filter along with the de-emphasis and ADC high-pass filters.

## 4.9.1 ADC Filters

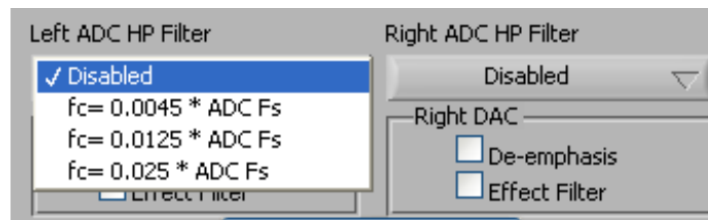
### 4.9.1.1 High Pass Filter



**Figure 13. ADC High Pass Filters**

The TLV320AIC34 ADC provides the option of enabling a high-pass filter, which helps to reduce the effects of DC offsets in the system. The [Figure 13](#) tab shows the options for programming various filter associated with the ADC. The high-pass filter has two modes: standard and programmable.

The standard high-pass filter option ([Figure 14](#)) allows for the selection of the high-pass filter frequency from several preset options that can be chosen with the **Left ADC HP Filter** and **Right ADC HP Filter** controls. The four options for this setting are disabled, or three different corner frequencies which are based on the ADC sample rate.



**Figure 14. ADC Highpass Filter Settings**

For custom filter requirements, the programmable function allows custom coefficients to achieve a different filter than provided by the preset filters. The controls for the programmable high-pass filter are located under the **Programmable Filters** heading. The process should following the following steps:

1. Enter The filter coefficients can be entered in the **HP Filter** controls near the bottom of the tab.
2. Press the **Download Coefficients** button to download the coefficients to the codec registers.
3. Enable the Programmable High-Pass Filters by selecting the **Left ADC** and **Right ADC** buttons.

The programmable high-pass filter should now be correctly programmed and enabled. The ADC can now be enabled with the high-pass filter.

### 4.9.1.2 Digital Effects Filter - ADC

The ADC digital outputs stream can be routed through the digital effects filter in the codec to allow custom audio performance. The digital effects filter cannot operate on both the ADC or DAC at the same time. The digital effects filter operation is discussed in [Section 4.9.3](#)

## 4.9.2 DAC Filters

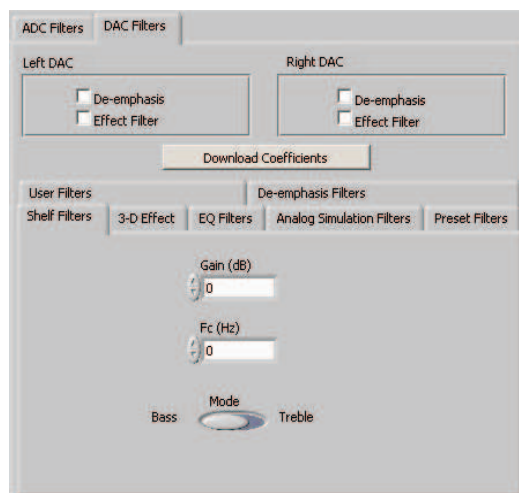


Figure 15. DAC Filters

### 4.9.2.1 De-emphasis Filters

The de-emphasis filters used in the TLV320AIC34 can be programmed as described in the [TLV320AIC34](#) data sheet, using this tab (Figure 16). Enter the coefficients for the de-emphasis filter response desired. While on this tab, the de-emphasis response will be shown on the *Effect Filter Response* graph; however, note that this response is not included in graphs of other effect responses when on the other filter design tabs.

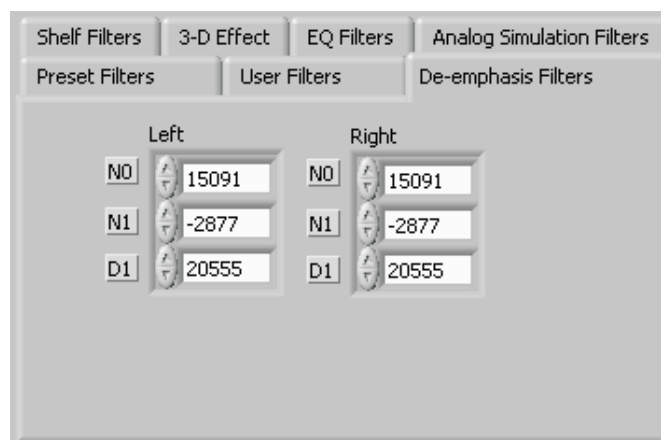


Figure 16. De-emphasis Filters

### 4.9.2.2 DAC Digital Effects Filter

The digital audio input stream can be routed through the digital effects filter in the codec before routing to the DAC to allow custom audio performance. The digital effects filter cannot operate on both the ADC or DAC at the same time. The digital effects filter operation is discussed in [Section 4.9.3](#)



### 4.9.3 Digital Effects Filters

The digital effect filters (the biquad filters) of the TLV320AIC34 are selected using the checkboxes shown in [Figure 17](#). The De-emphasis filters are described in the [TLV320AIC34](#) data sheet, and their coefficients may be changed (see [Figure 15](#)).

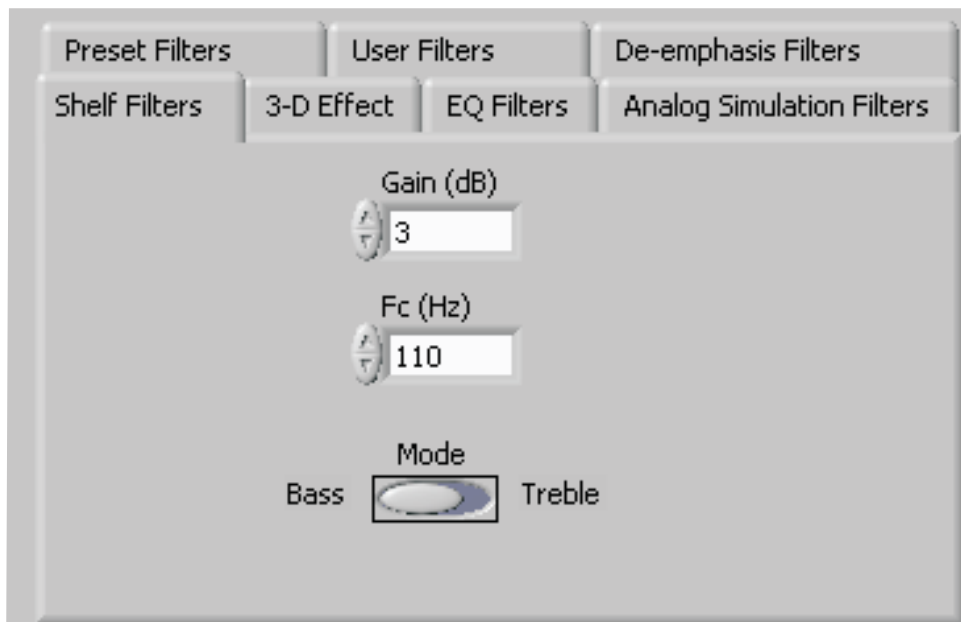


**Figure 17. Enabling Filters**

When designing filters for use with TLV320AIC34, the software allows for several different filter types to be used. These options are shown on a tab control in the lower left corner of the screen. When a filter type is selected, and suitable input parameters defined, the response will be shown in the *Effect Filter Response* graph. Regardless of the setting for enabling the Effect Filter, the filter coefficients are not loaded into the TLV320AIC34 until the **Download Coefficients** button is pressed. To avoid noise during the update of coefficients, it is recommended that the user uncheck the **Effect Filter enable** checkboxes before downloading coefficients. Once the desired coefficients are in the TLV320AIC34, enable the Effect Filters by checking the boxes again.

#### 4.9.3.1 Shelf Filters

A shelf filter is a simple filter that applies a gain (positive or negative) to frequencies above or below a certain corner frequency. As shown in [Figure 18](#), in *Bass* mode a shelf filter applies a gain to frequencies below the corner frequency; in *Treble* mode the gain is applied to frequencies above the corner frequency.



**Figure 18. Shelf Filters**

To use these filters, enter the gain desired and the corner frequency. Choose the mode to use (*Bass* or *Treble*); the response will be plotted on the *Effect Filter Response* graph.

### 4.9.3.2 EQ Filters

EQ, or parametric, filters can be designed on this tab (see [Figure 19](#)). Enter a gain, bandwidth, and a center frequency (Fc). Either bandpass (positive gain) or band-reject (negative gain) filters can be created

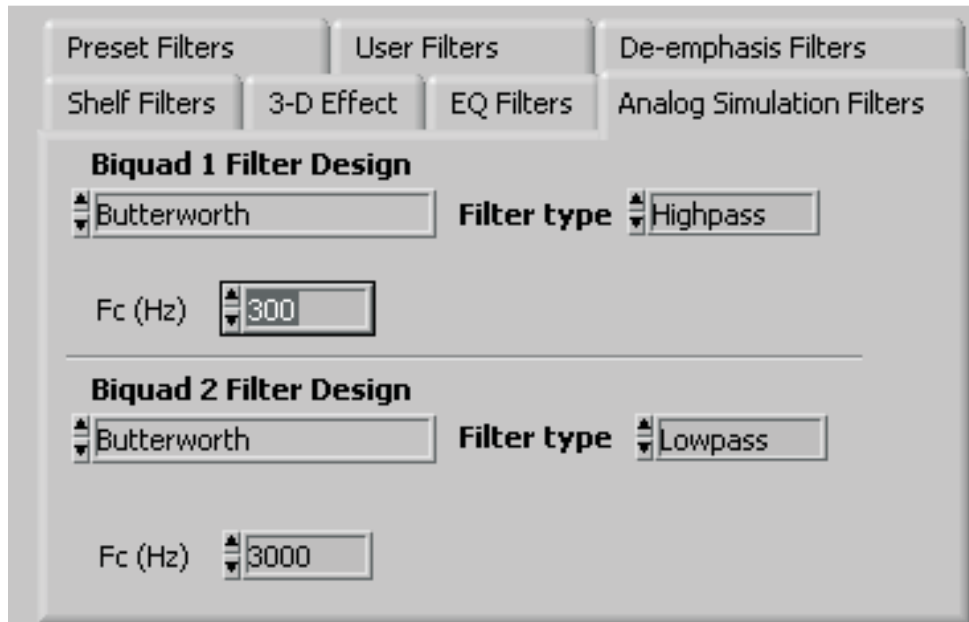


Figure 19. EQ Filters

### 4.9.3.3 Analog Simulation Filters

Biquads are quite good at simulating analog filter designs. For each biquad section on this tab, enter the desired analog filter type to simulate (Butterworth, Chebyshev, Inverse Chebyshev, Elliptic or Bessel). Parameter entry boxes appropriate to the filter type will be shown (ripple, for example, with Chebyshev filters, etc.). Enter the desired design parameters and the response will be shown. (See [Figure 20](#).)

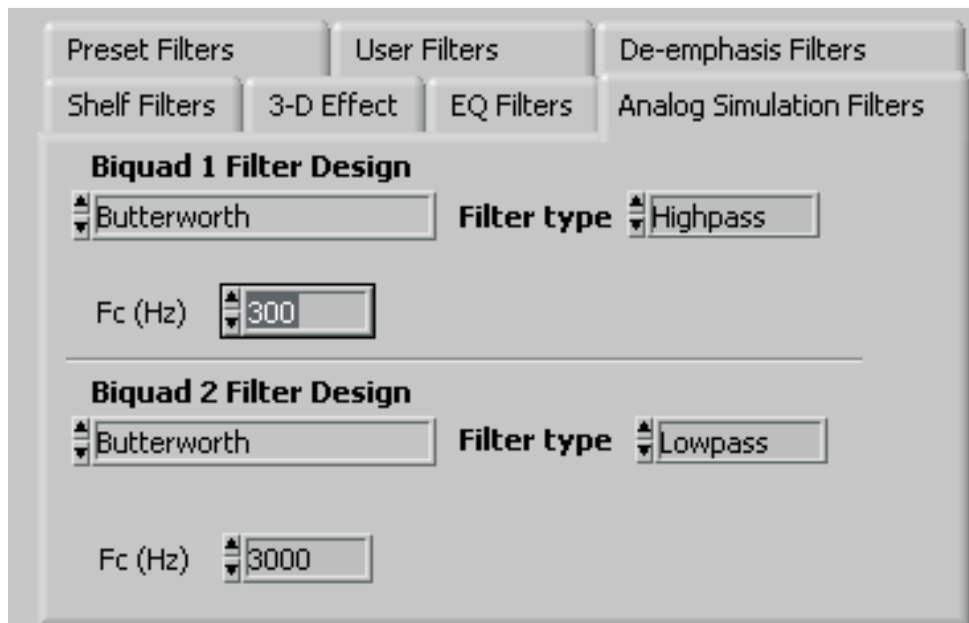


Figure 20. Analog Simulation Filters

#### 4.9.3.4 Preset Filters

Many applications are designed to provide preset filters common for certain types of program material. This tab (see [Figure 21](#)) allows selection of one of four preset filter responses - Rock, Jazz, Classical, or Pop.

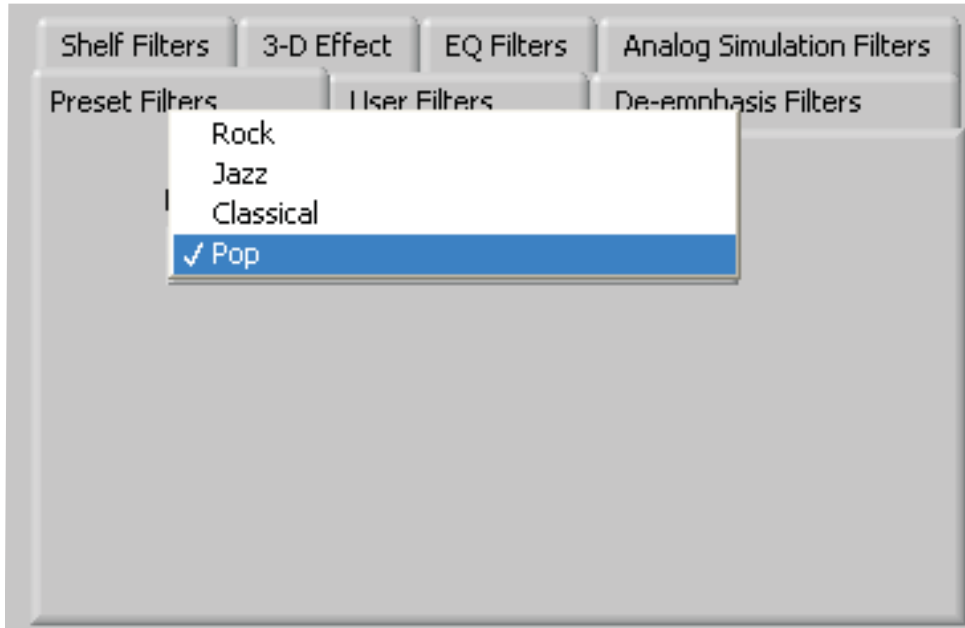


Figure 21. Preset Filters

#### 4.9.3.5 User Filters

If filter coefficients are known, they can be entered directly on this tab (see [Figure 22](#)) for both biquads for both left and right channels. The filter response will **not** be shown on the *Effect Filter Response* graph for user filters.

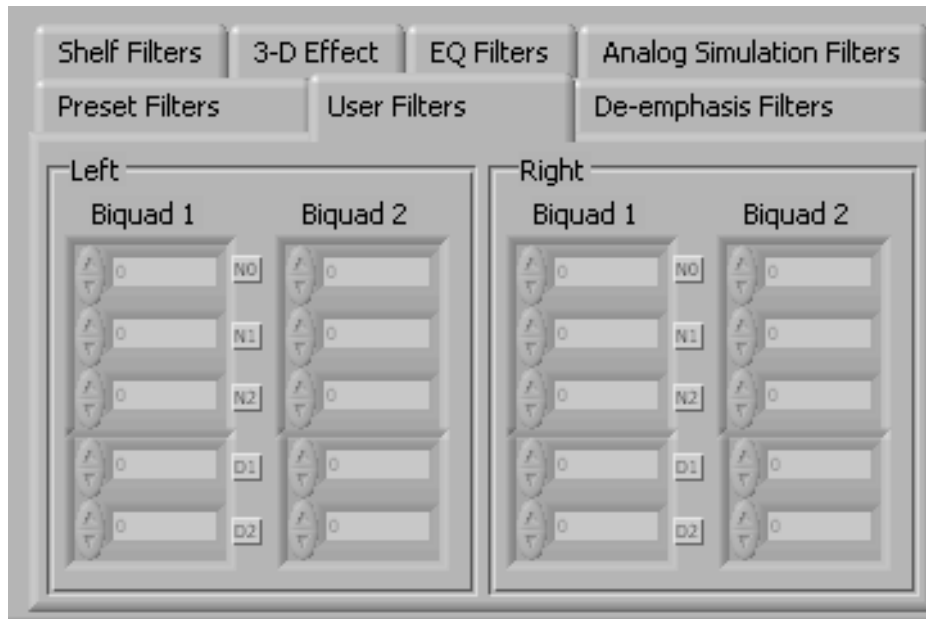
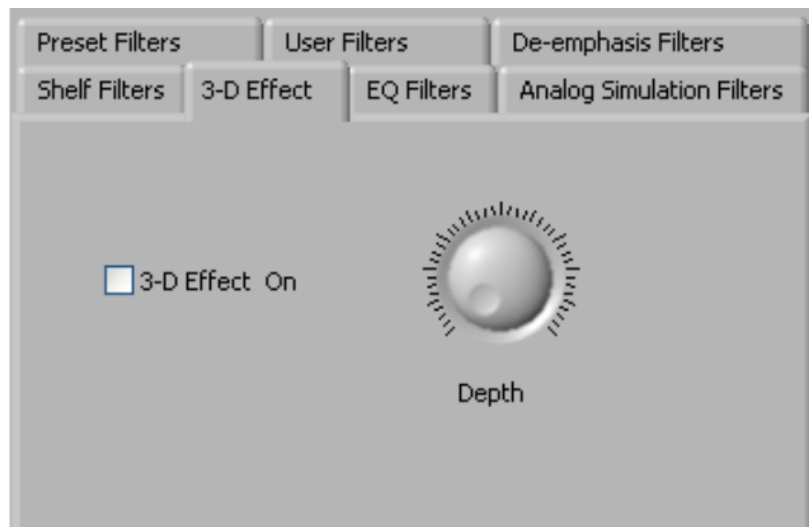


Figure 22. User Filters

### 4.9.3.6 3D Effect

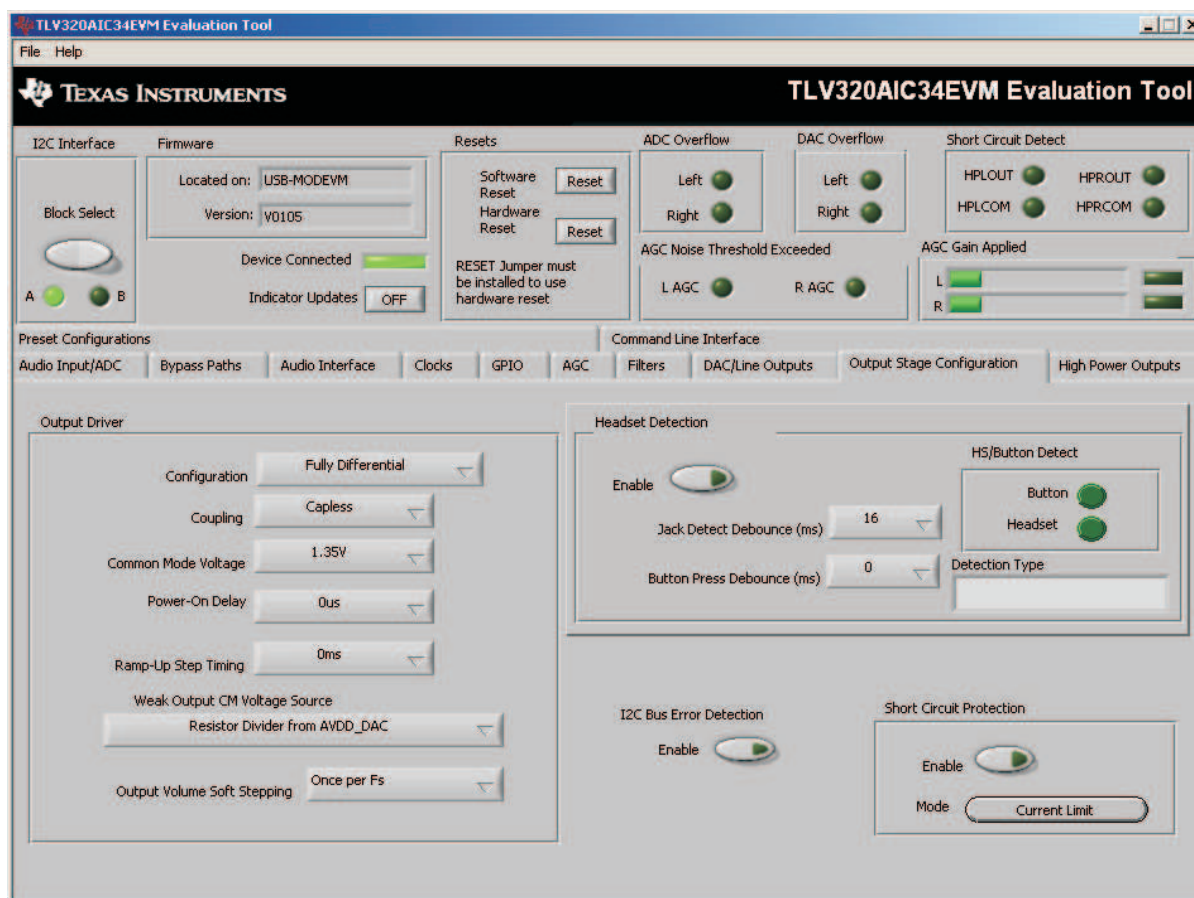
The 3D effect is described in the [TLV320AIC34](#) data sheet. It uses the two biquad sections differently than most other effect filter settings. To use this effect properly, make sure the appropriate coefficients are already loaded into the two biquad sections. The User Filters tab may be used to load the coefficients. See [Figure 23](#).



**Figure 23. 3D Effect Settings**

To enable the 3D effect, check the **3D Effect On** box. The **Depth** knob controls the value of the 3D Attenuation Coefficient.

## 4.10 Output Stage Configuration Tab



**Figure 24. Output Stage Configuration Tab**

The Output Stage Configuration tab (Figure 24) allows for setting various features of the output drivers.

The **Configuration** control may be set as either *Fully-Differential* or *Pseudo-Differential*. This control is used to determine if the output stage is being used to drive a fully differential output load or a output load where one of the outputs is referenced to a common-mode voltage (pseudo-differential).

The output **Coupling** control can be chosen as either *Capless* or *AC-coupled*. This setting should correspond to the setting of the hardware switch (SW1) on the TLV320AIC34EVM.

The common mode voltage of the outputs may be set to 1.35V, 1.5V, 1.65V, or 1.8V using the **Common Mode Voltage** control.

The TLV320AIC34 offers several options to help reduce the turn-on/off pop of the output amplifiers. The **Power-On Delay** of the output drivers can be set using the corresponding control from 0's up to 4 seconds. **Ramp-Up Step Timing** can also be adjusted from 0ms to 4ms. The outputs can be set to soft-step their volume changes, using the **Output Volume Soft Stepping** control, and set to step once per Fs period, once per two Fs periods, or soft-stepping can be disabled altogether.

The high power outputs of the TLV320AIC34 can be configured to go to a weak common-mode voltage when powered down. The source of this weak common-mode voltage can be set on this tab with the **Weak Output CM Voltage Source** drop-down. Choices for the source are either a resistor divider off the AVDD\_DAC supply, or a bandgap reference. See the data sheet for more details on this option.

Headset detection features are enabled using the **Enable** button in the **Headset Detection** groupbox. When enabled, the indicators in the **HS/Button Detect** groupbox will light when either a button press or headset is detected. When a headset is detected, the type of headset is displayed in the **Detection Type** indicator. Debounce times for detection are set using the **Jack Detect Debounce** and **Button Press Debounce** controls, which offer debounce times in varying numbers of milliseconds. See the [TLV320AIC34](#) data sheet for a discussion of headset detection.

Output short-circuit protection can be enabled in the **Short Circuit Protection** groupbox. Short Circuit Protection can use a current-limit mode, where the drivers will limit current output if a short-circuit condition is detected, or in a mode where the drivers will power down when such a condition exists.

The **I<sup>2</sup>C Bus Error Detection** button allows the user to enable circuitry which will set a register bit (Register 107, D0) if an I<sup>2</sup>C bus error is detected.

## 4.11 DAC/Line Outputs Tab

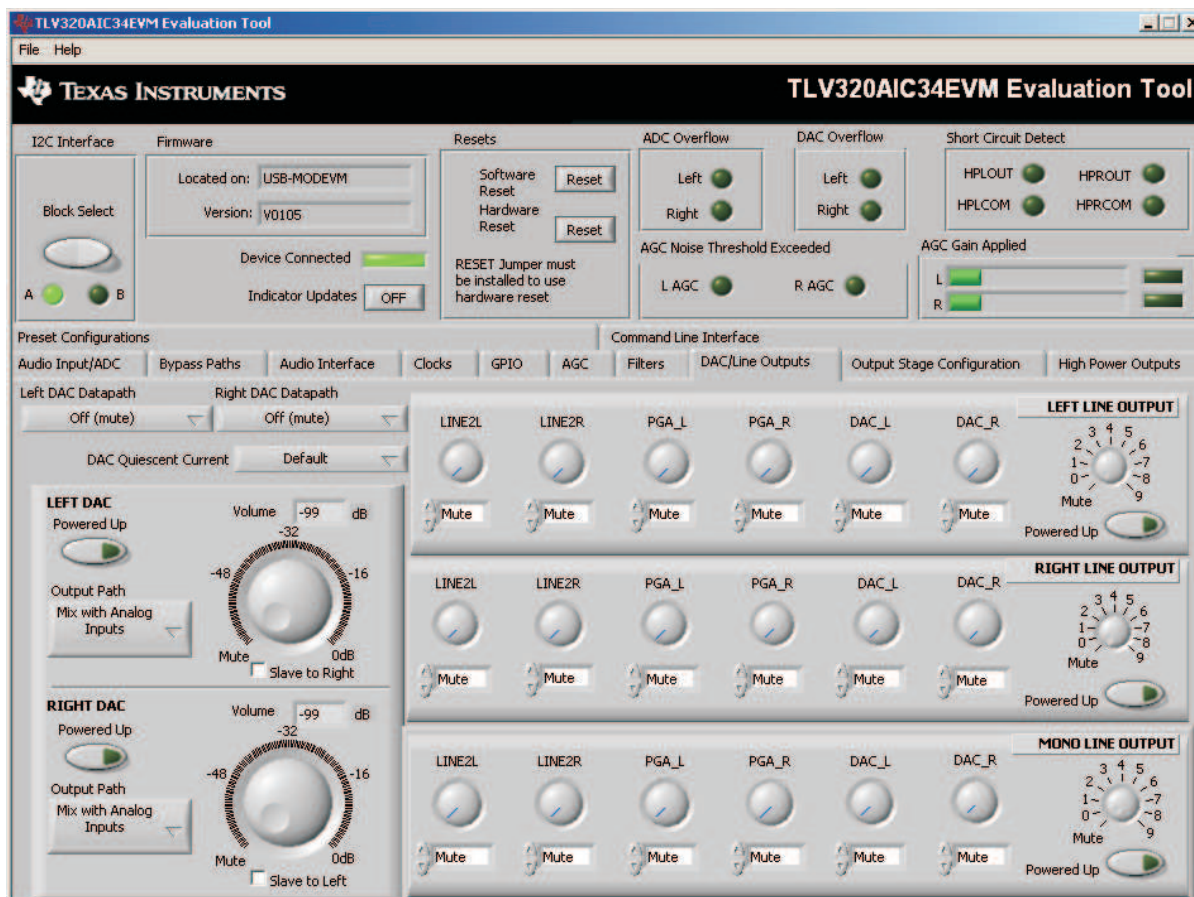


Figure 25. DAC/Line Outputs Tab

The DAC/Line Outputs tab controls the DAC power and volume, as well as routing of digital data to the DACs and the analog line output from the DACs. (See [Figure 25](#).)

### 4.11.1 DAC Controls

On the left side of this tab are controls for the left and right DACs.

In similar fashion as the ADC, the DAC controls are set up to allow powering of each DAC individually, and setting the output level. Each channel's level can be set independently using the corresponding **Volume** knob. Alternately, by checking the **Slave to Right** box, the left channel Volume can be made to track the right channel Volume knob setting; checking the **Slave to Left** box causes the right channel Volume knob to track the left Volume knob setting.

Data going to the DACs is selected using the drop-down boxes under the **Left** and **Right DAC Datapath**. Each DAC channel can be selected to be off, use left channel data, use right channel data, or use a mono mix of the left and right data.

Analog audio coming from the DACs is routed to outputs using the **Output Path** controls in each DAC control panel. The DAC output can be mixed with the analog inputs (LINE2L, LINE2R, PGA\_L, PGA\_R) and routed to the Line or High Power outputs using the mixer controls for these outputs on this tab (for the line outputs) or on the High Power Outputs tab (for the high power outputs). If the DAC is to be routed directly to either the Line or HP outputs, these can be selected as choices in the **Output Path** control. Note that if the Line or HP outputs are selected as the Output Path, the mixer controls on this tab and the High Power Output tabs have no effect.

#### 4.11.2 Line Output Mixers

On the right side of this tab are horizontal panels where the analog output mixing functions for the line outputs are located.

Each line output master volume is controlled by the knob at the far right of these panels, below the line output labels. The output amplifier gain can be muted or set at a value between 0 and 9dB in 1 dB steps. Power/Enabled status for the line output can also be controlled using the button below this master output knob (**Powered Up**).

If the DAC **Output Path** control is set to *Mix with Analog Inputs*, the six knobs in each panel can be used to set the individual level of signals routed and mixed to the line output. LINE2L, LINE2R, PGA\_L, PGA\_R, and DAC\_L and DAC\_R levels can each be set to create a custom mix of signals presented to that particular line output. **Note:** if the DAC **Output Path** control is set to anything other than *Mix with Analog Inputs*, these controls have no effect.



## 4.12 High Power Outputs Tab

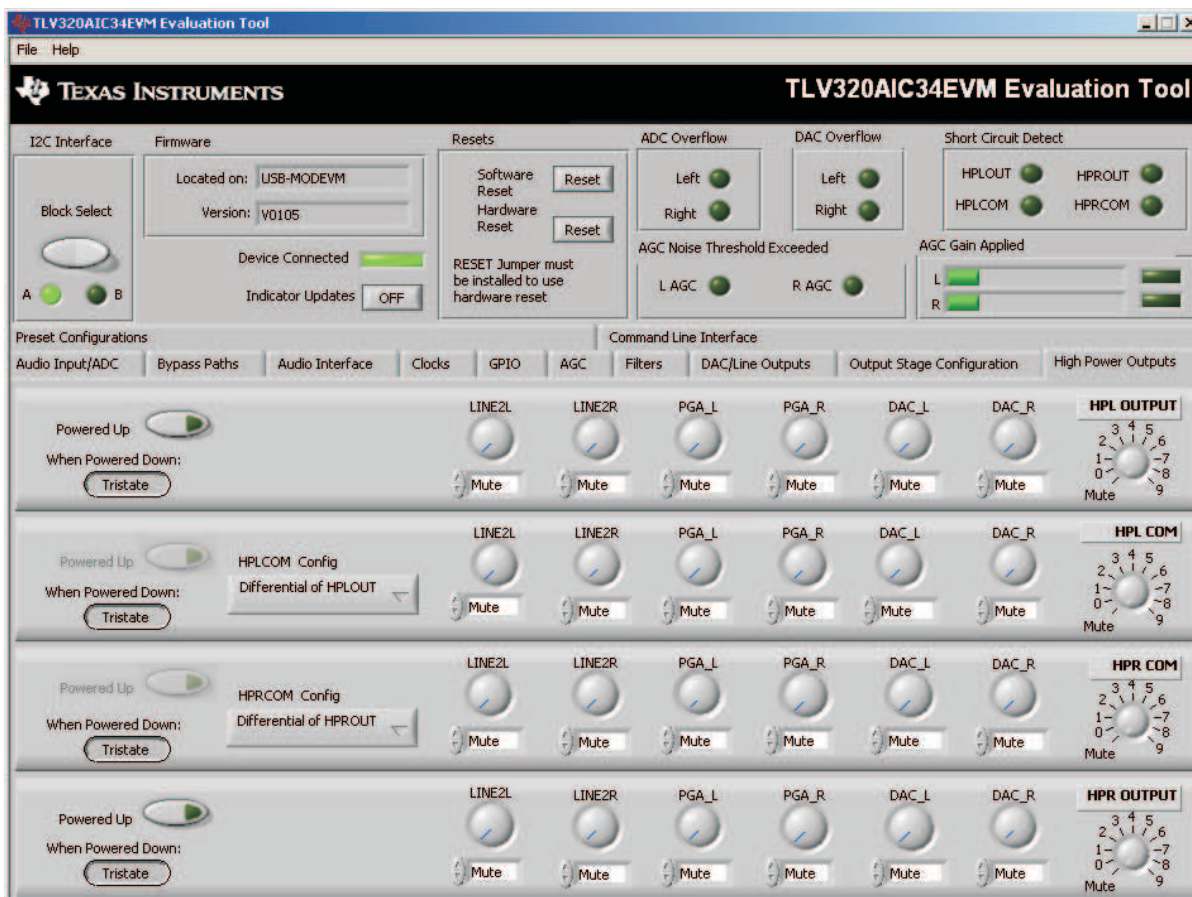


Figure 26. High Power Outputs Tab

This tab contains four horizontal groupings of controls, one for each of the high power outputs. Each output has a mixer to mix the LINE2L, LINE2R, PGA\_L, PGA\_R, DAC\_L and DAC\_R signals, assuming that the DACs are not routed directly to the high power outputs (see Section 4.11).

At the left of each output strip is a **Powered Up** button that controls whether the corresponding output is powered up or not. The **When powered down** button allows the outputs to be tri-stated or driven weakly to a the output common mode voltage.

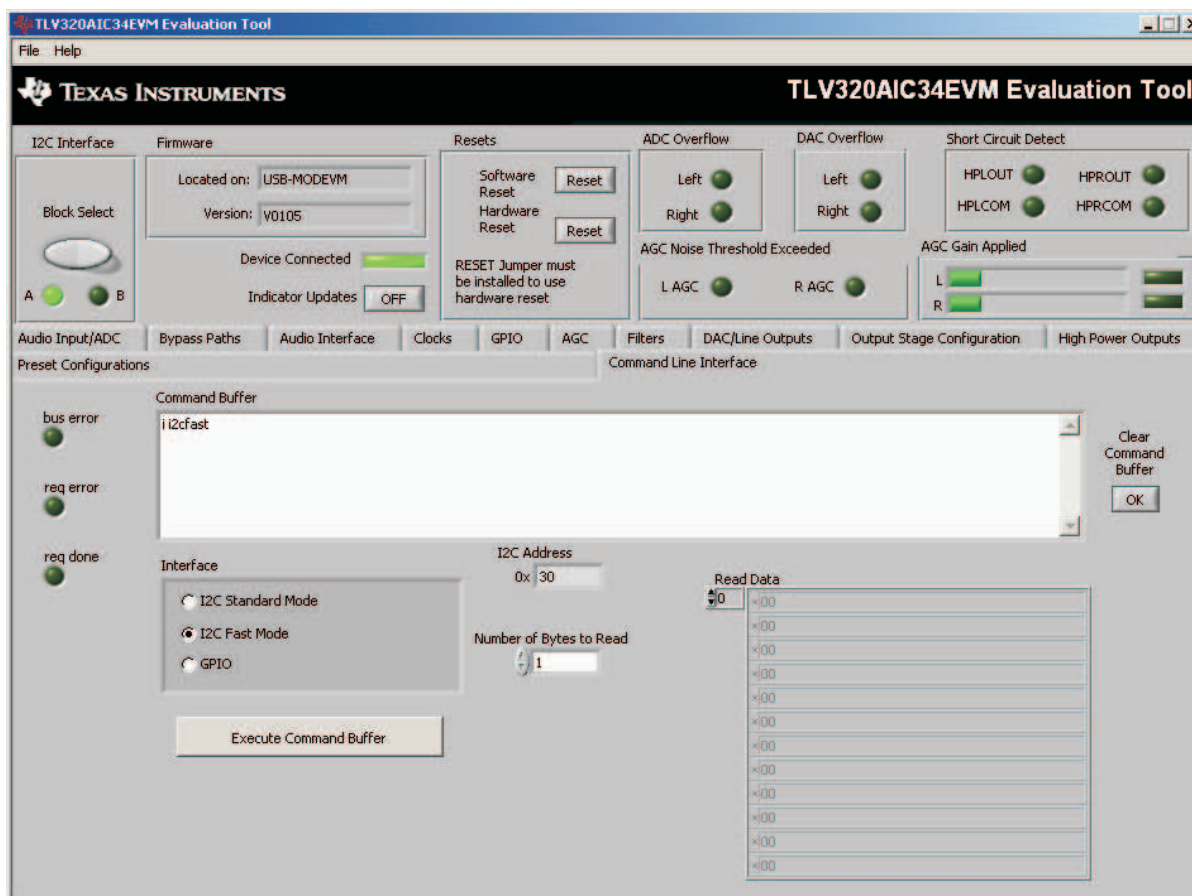
The **HPxCOM** outputs (*HPLCOM* and *HPRCOM*) can be used as independent output channels or can be used as complementary signals to the HPLOUT and HPROUT outputs. In these complementary configurations, the **HPxCOM** outputs can be selected as *Differential of HPxOUT* signals to the corresponding outputs or may be set to be a common mode voltage (*Constant VCM Out*). When used in these configurations, the **Powered Up** button for the **HPxCOM** output is disabled, as the power mode for that output will track the power status of the HPL or HPR output that the COM output is tracking.

The **HPRCOM Config** selector allows a couple additional options compared to the **HPLCOM Config** selector. *Differential of HPLCOM* allows the HPRCOM to be the complementary signal of HPLCOM for driving a differential load between the **HPxCOM** outputs. The selector also allows *Ext. Feedback/HPLCOM constant VCM* as an option. This option is used when the high power outputs are configured for *Capless* output drive, where HPLCOM is configured as *Constant VCM Out*. The feedback option provides feedback to the output and lowers the output impedance of HPLCOM.

At the right side of the output strip is a master volume knob for that output, which allows the output amplifier gain to be muted or set from 0 to 9dB in 1dB.

### 4.13 Command Line Interface Tab

A simple scripting language controls the TAS1020 on the USB-MODEVM from the LabView™-based PC software. The main program controls, described previously, do nothing more than write a script which is then handed off to an interpreter that sends the appropriate data to the correct USB endpoint. Because this system is script-based, provision is made in this tab for the user to view the scripting commands created as the controls are manipulated, as well as load and execute other scripts that have been written and saved (see [Figure 27](#)). This design allows the software to be used as a quick test tool or to help provide troubleshooting information in the rare event that the user encounters problem with this EVM.



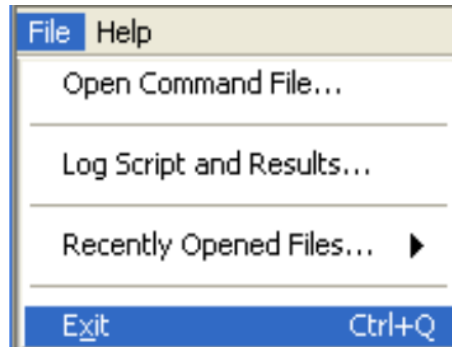
**Figure 27. Command Line Interface Tab**

A script is loaded into the command buffer, either by operating the controls on the other tabs or by loading a script file. When executed, the return packets of data which result from each command will be displayed in the **Read Data** array control. When executing several commands, the Read Data control shows only the results of the last command. To see the results after every executed command, use the logging function described below.

The File menu ([Figure 28](#)) provides some options for working with scripts. The first option, *Open Command File...*, loads a command file script into the command buffer. This script can then be executed by pressing the **Execute Command Buffer** button.

The second option is *Log Script and Results...*, which opens a file save dialog box. Choose a location for a log file to be written using this file save dialog. When the Execute Command Buffer button is pressed, the script will run and the script, along with resulting data read back during the script, will be saved to the file specified. The log file is a standard text file that can be opened with any text editor, and looks much like the source script file, but with the additional information of the result of each script command executed.

The third menu item is a submenu of *Recently Opened Files*. This is simply a list of script files that have previously been opened, allowing fast access to commonly-used script files. The final menu item is *Exit*, which terminates the TLV320AIC34EVM software.



**Figure 28. File Menu**

Under the Help menu is an *About...* menu item which displays information about the TLV320AIC34EVM software.

The actual USB protocol used as well as instructions on writing scripts are detailed in the following subsections. While it is not necessary to understand or use either the protocol or the scripts directly, understanding them may be helpful to some users.

## Appendix A EVM Connector Descriptions

This appendix contains the connection details for each of the main header connectors on the EVM.

### A.1 Analog Interface Connectors

#### A.1.1 Block B Analog Dual Row Header Details (J13 and J14)

For maximum flexibility, the TLV320AIC34EVM is designed for easy interfacing to multiple analog sources. Samtec part numbers SSW-110-22-F-D-VS-K and TSM-110-01-T-DV-P provide a convenient 10-pin dual row header/socket combination at J13 and J14. These headers/sockets provide access to the analog input and output pins of the device. Consult Samtec at [www.samtec.com](http://www.samtec.com) or call 1-800-SAMTEC-9 for a variety of mating connector options. Table A-1 summarizes the analog interface pinout for the TLV320AIC34EVM..

**Table A-1. Block B Analog Interface Pin Out**

PIN NUMBER	SIGNAL	DESCRIPTION
J13.1	HPLCOM_B	High Power Output Driver (Left Minus or Multifunctional)
J13.2	HPLOUT_B	High Power Output Driver (Left Plus)
J13.3	HPRCOM_B	High Power Output Driver (Right Minus or Multifunctional)
J13.4	HPROUT_B	High Power Output Driver (Right Plus)
J13.5	LINE1LM_B	MIC1 or LINE1 Analog Input (Left Minus or Multifunctional)
J13.6	LINE1LP_B	MIC1 or LINE1 Analog Input (Left Plus or Multifunctional)
J13.7	LINE1RM_B	MIC1 or LINE1 Analog Input (Right Minus or Multifunctional)
J13.8	LINE1RP_B	MIC1 or LINE1 Analog Input (Right Plus or Multifunctional)
J13.9	AGND	Analog Ground
J13.10	MIC3R_B	MIC3 Input (Right or Multifunctional)
J13.11	AGND	Analog Ground
J13.12	MIC3L_B	MIC3 Input (Left or Multifunctional)
J13.13	AGND	Analog Ground
J13.14	MICBIAS_B	Microphone Bias Voltage Output
J13.15	NC	Not Connected
J13.16	MICDET_B	Microphone Detect
J13.17	AGND	Analog Ground
J13.18	NC	Not Connected
J13.19	AGND	Analog Ground
J13.20	NC	Not Connected
J14.1	LINE2RM_B	MIC2 or LINE2 Analog Input (Right Minus or Multifunctional)
J14.2	LINE2RP_B	MIC2 or LINE2 Analog Input (Right Plus or Multifunctional)
J14.3	LINE2LM_B	MIC2 or LINE2 Analog Input (Left Minus or Multifunctional)
J14.4	LINE2RP_B	MIC2 or LINE2 Analog Input (Left Plus or Multifunctional)
J14.5	MONO_LOP_B	Mono Line Output (Plus)
J14.6	MONO_LOM_B	Mono Line Output (Minus)
J14.7	LEFT_LOP_B	Left Line Output (Plus)
J14.8	LEFT_LOM_B	Left Line Output (Minus)
J14.9	AGND	Analog Ground
J14.10	RIGHT_LOP_B	Right Line Output (Plus)
J14.11	AGND	Analog Ground
J14.12	RIGHT_LOM_B	Right Line Output (Minus)
J14.13	AGND	Analog Ground
J14.14	NC	Not Connected
J14.15	NC	Not Connected
J14.16	NC	Not Connected

**Table A-1. Block B Analog Interface Pin Out (continued)**

PIN NUMBER	SIGNAL	DESCRIPTION
J14.17	AGND	Analog Ground
J14.18	NC	Not Connected
J14.19	AGND	Analog Ground
J14.20	NC	Not Connected

### A.1.2 Block A Analog Input/Output Connectors

In addition to the analog headers, the analog inputs and outputs may also be accessed through alternate connectors, either screw terminals or audio jacks. The stereo microphone input is also tied to J6 and the stereo headphone output (the HP set of outputs) is available at J7.

Table A-2 summarizes the analog input/output connectors available for Block A.

**Table A-2. Block A Analog Input/Output Connectors**

DESIGNATOR	Description	PIN 1	PIN 2	PIN3
J1	2-Connector Screw Terminal Input	LINE1LP_A	LINE1LM_A	NA
J2	2-Connector Screw Terminal Input	LINE1RP_A	LINE1RM_A	NA
J3	2-Connector Screw Terminal Input	LINE2LP_A	LINE2LM_A	NA
J4	2-Connector Screw Terminal Input	LINE2RP_A	LINE2RM_A	NA
J5	3-Connector Screw Terminal Input	MIC3L_A IN LEFT	MIC3R_A IN RIGHT	AGND
J6	Audio 3.5mm Input Jack	MIC3L_A IN LEFT	MIC3R_A IN RIGHT	AGND
J7	Audio 3.5mm Output Jack	(+) HPLOUT_A	(+) HPROUT_A	AGND
J8	2-Connector Screw Terminal Output	MONO OUT_A -	MONO OUT_A +	NA
J9	2-Connector Screw Terminal Output	LEFT OUT_A-	LEFT OUT_A +	NA
J10	2-Connector Screw Terminal Output	RIGHT OUT_A -	RIGHT OUT_A +	NA
J11	3-Connector Screw Terminal Output	(+) HPLOUT_A	(-) HPLCOM_A	AGND
J12	3-Connector Screw Terminal Output	(+) HPROUT_A	(-) HPRCOM_A	AGND

## **A.2 Block A and Block B Digital Interface Connectors (J16 and J17)**

The TLV320AIC34EVM is designed to easily interface with multiple control platforms. Samtec part numbers SSW-110-22-F-D-VS-K and TSM-110-01-T-DV-P provide a convenient 10-pin dual row header/socket combination at J16 and J17. These headers/sockets provide access to the digital control and serial data pins of the device. Consult Samtec at [www.samtec.com](http://www.samtec.com) or call 1-800-SAMTEC-9 for a variety of mating connector options. [Table A-3](#) summarizes the digital interface pinout for the TLV320AIC34EVM.

**Table A-3. Block A and Block B Digital Interface Pin Out**

<b>PIN NUMBER</b>	<b>SIGNAL</b>	<b>DESCRIPTION</b>
J16.1	NC	Not Connected
J16.2	GPIO1_A	Block A General Purpose Input/Output #1
J16.3	NC	Not Connected
J16.4	DGND	Digital Ground
J16.5	NC	Not Connected
J16.6	GPIO2_A	Block A General Purpose Input/Output #2
J16.7	NC	Not Connected
J16.8	RESET INPUT	Reset signal input to AIC34EVM (/RESET_A and /RESET_B tied together)
J16.9	NC	Not Connected
J16.10	DGND	Digital Ground
J16.11	NC	Not Connected
J16.12	NC	Not Connected
J16.13	NC	Not Connected
J16.14	AIC34 RESET	Reset
J16.15	NC	Not Connected
J16.16	SCL	I <sup>2</sup> C Serial Clock
J16.17	NC	Not Connected
J16.18	DGND	Digital Ground
J16.19	NC	Not Connected
J16.20	SDA	I <sup>2</sup> C Serial Data Input/Output
J17.1	NC	Not Connected
J17.2	NC	Not Connected
J17.3	BCLK_A	Block A Audio Serial Data Bus Bit Clock (Input/Output)
J17.4	DGND	Digital Ground
J17.5	BLK_B	Block B Audio Serial Data Bus Bit Clock (Input/Output)
J17.6	NC	Not Connected
J17.7	WCLK_A	Block A Audio Serial Data Bus Word Clock (Input/Output)
J17.8	NC	Not Connected
J17.9	WCLK_B	Block B Audio Serial Data Bus Word Clock (Input/Output)
J17.10	DGND	Digital Ground
J17.11	DIN_A	Block A Audio Serial Data Bus Data Input (Input)
J17.12	DIN_B	Block B Audio Serial Data Bus Data Input (Input)
J17.13	DOUT_A	Block A Audio Serial Data Bus Data Output (Output)
J17.14	DOUT_B	Block B Audio Serial Data Bus Data Output (Output)
J17.15	NC	Not Connected
J17.16	SCL	I <sup>2</sup> C Serial Clock
J17.17	MCLK_A	Block A Master Clock Input
J17.18	DGND	Digital Ground
J17.19	MCLK_B	Block B Master Clock Input
J17.20	SDA	I <sup>2</sup> C Serial Data Input/Output

Note that J17 comprises the signals needed for an I<sup>2</sup>S™ serial digital audio interface; the control interface (I<sup>2</sup>C™ and  $\overline{\text{RESET}}$ ) signals are routed to J16. I<sup>2</sup>C is actually routed to both connectors; however, the device is connected only to J16.

### A.3 Power Supply Connector Pin Header, J15

J15 provides connection to the common power bus for the TLV320AIC34EVM. Power is supplied on the pins listed in [Table A-4](#).

**Table A-4. Power Supply Pin Out**

SIGNAL	PIN NUMBER		SIGNAL
NC	J15.1	J15.2	NC
+5VA	J15.3	J15.4	NC
DGND	J15.5	J15.6	AGND
DVDD (1.8V)	J15.7	J15.8	NC
IOVDD (3.3V)	J15.9	J15.10	NC

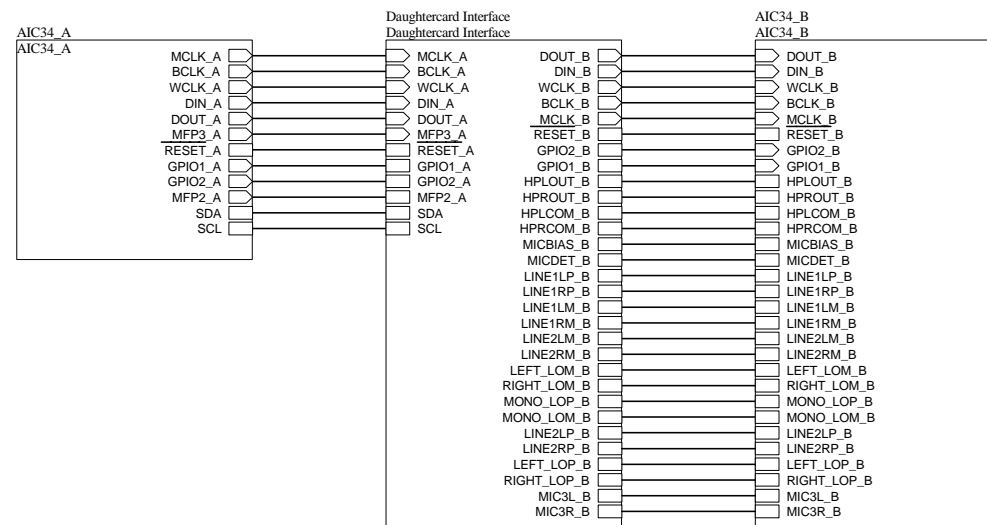
The TLV320AIC34EVM-K motherboard (the USB-MODEVM Interface board) supplies power to J15 of the TLV320AIC34EVM. Power for the motherboard is supplied either through its USB connection or via terminal blocks on that board.

## **Appendix B TLV320AIC34EVM Schematic**

The schematic diagram for the modular TLV320AIC34EVM is provided as a reference.



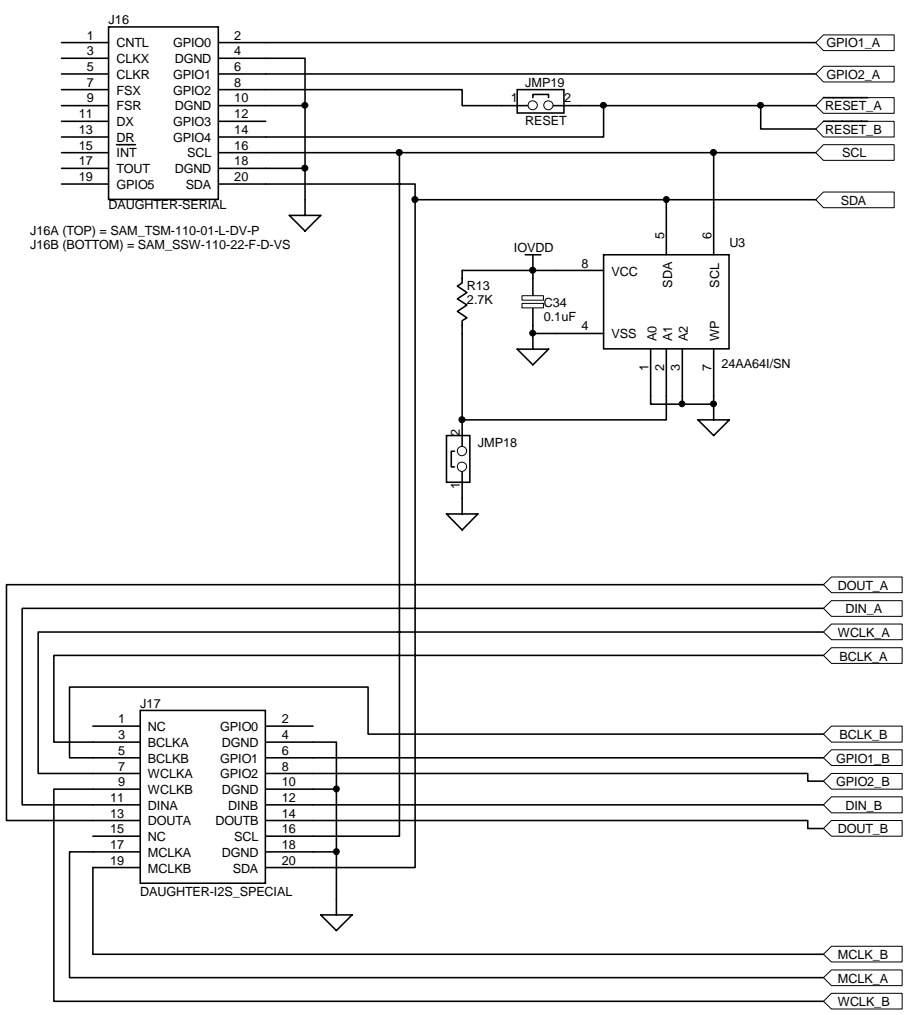
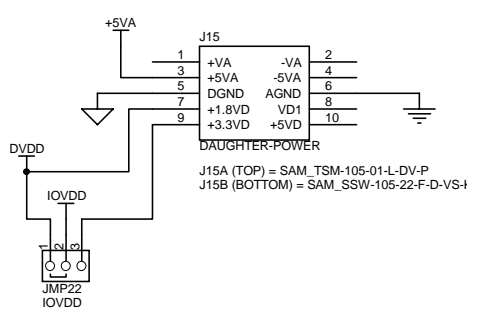
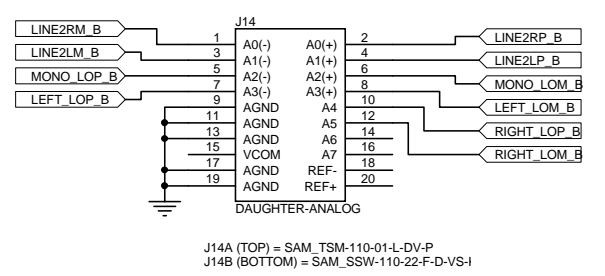
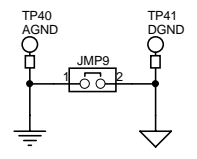
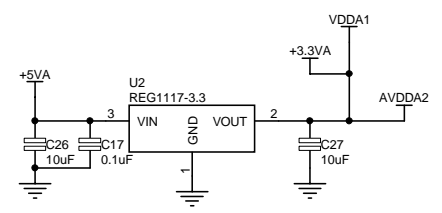
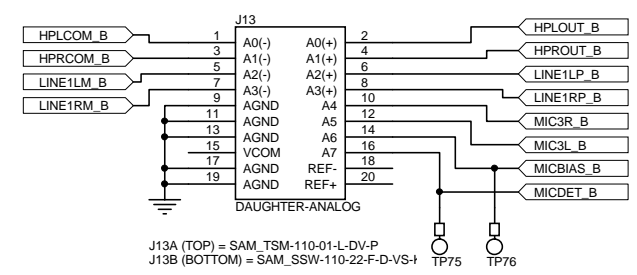
REVISION HISTORY		
REV	ENGINEERING CHANGE NUMBER	APPROVED



**TEXAS INSTRUMENTS**  
 DATA ACQUISITION PRODUCTS  
 HIGH-PERFORMANCE ANALOG DIVISION  
 SEMICONDUCTOR GROUP  
 6730 SOUTH TUCSON BLVD., TUCSON, AZ 85706 USA

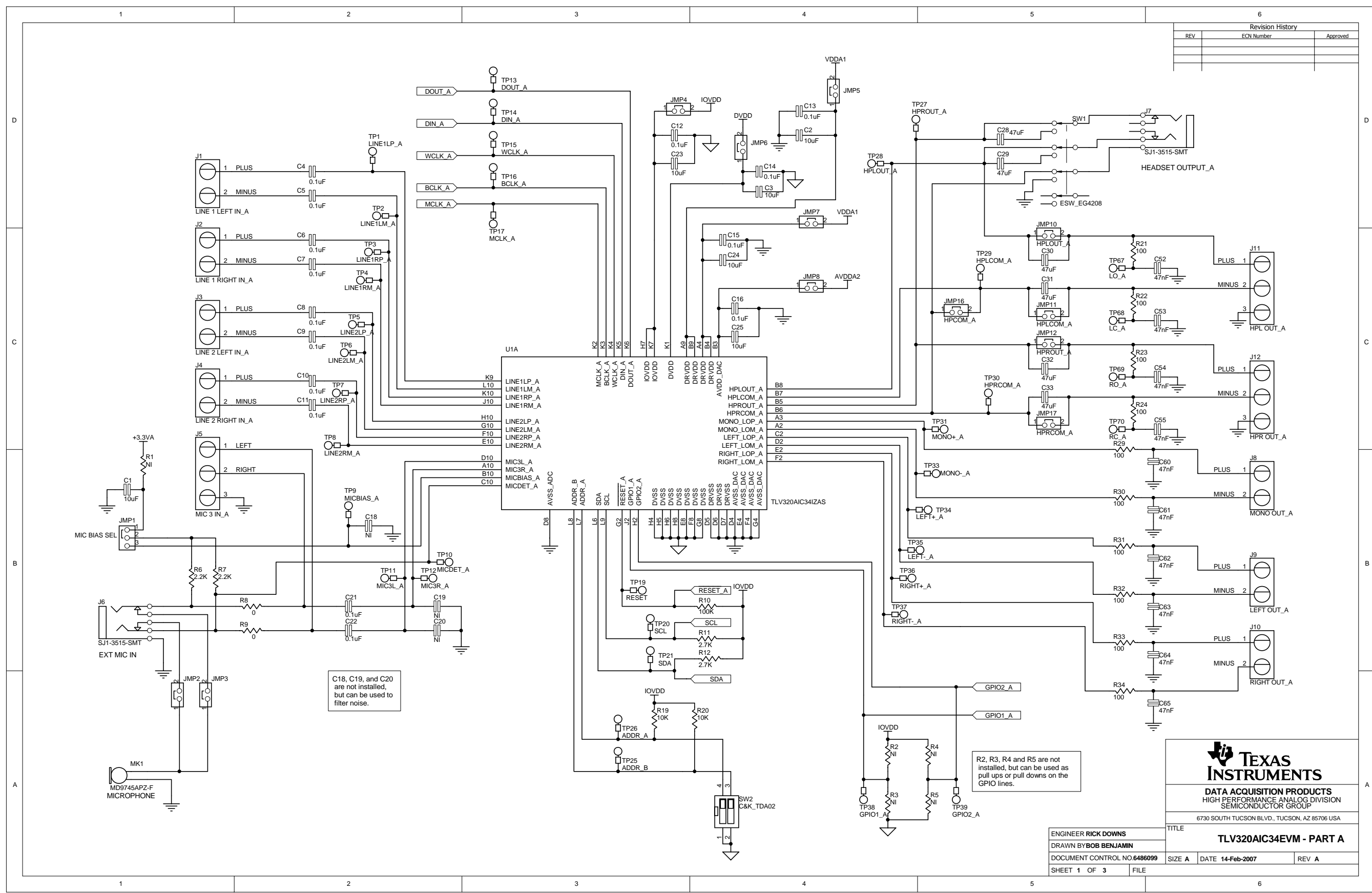
ENGINEER FRYE D. ZERKETS	TITLE	
DRAWN BY I. C. SPOTTS	untitled	
DOCUMENT CONTROL NO.1234567	SIZE B	DATE dd MMM yyyy
SHEET 1 OF 1	FILE ???	REV A

REVISION HISTORY		
REV	ENGINEERING CHANGE NUMBER	APPROVED



ENGINEER RICK DOWNS	TITLE
DRAWN BY BOB BENJAMIN	<b>TLV320AIC34EVM INTERFACE</b>
DOCUMENT CONTROL NO. 6486099	SIZE B DATE 14-Feb-2007 REV A
SHEET 3 OF 3	FILE

Revision History		
REV	ECN Number	Approved



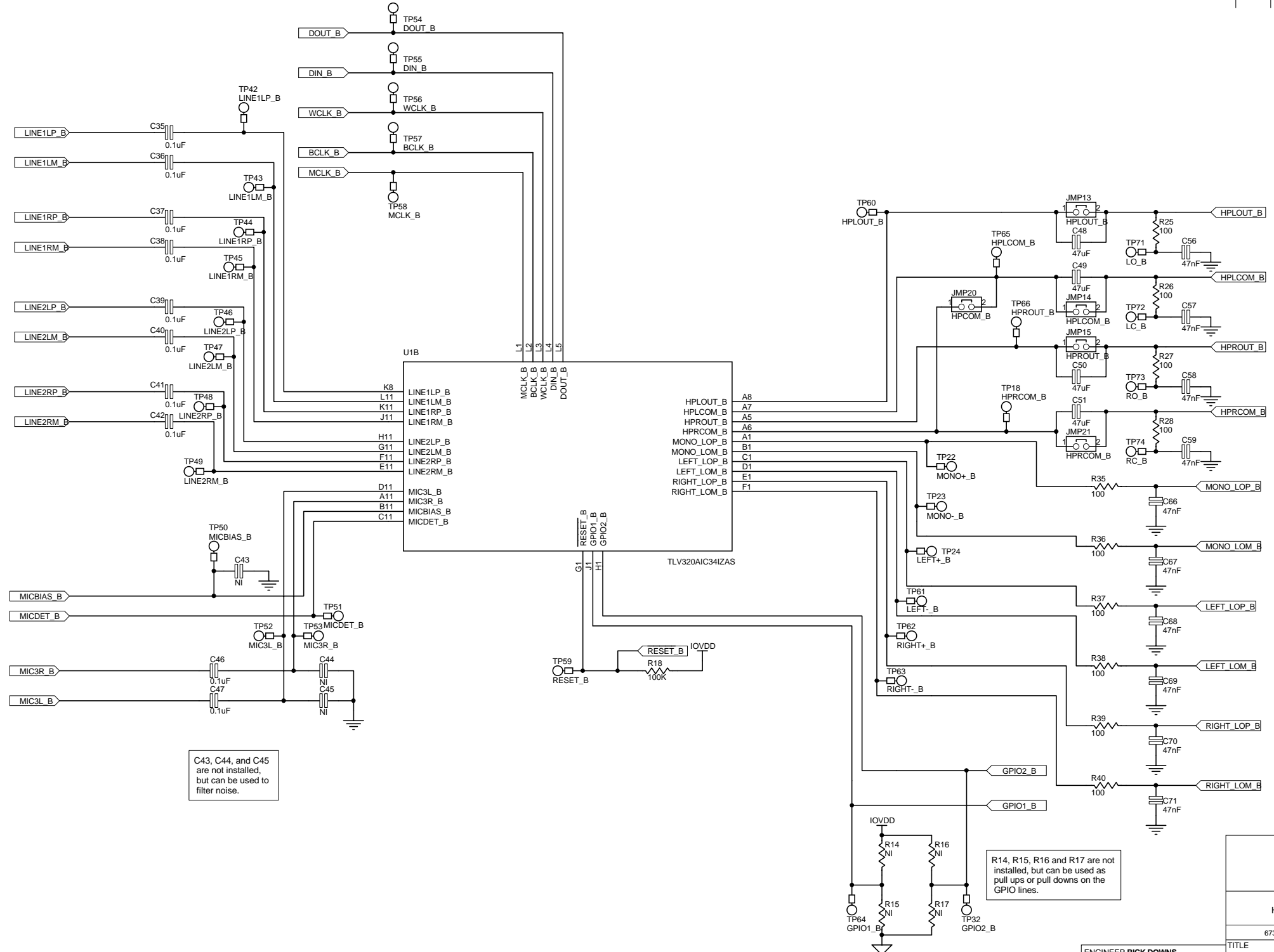
C18, C19, and C20 are not installed, but can be used to filter noise.

R2, R3, R4 and R5 are not installed, but can be used as pull ups or pull downs on the GPIO lines.

**TEXAS INSTRUMENTS**  
 DATA ACQUISITION PRODUCTS  
 HIGH PERFORMANCE ANALOG DIVISION  
 SEMICONDUCTOR GROUP  
 6730 SOUTH TUCSON BLVD., TUCSON, AZ 85706 USA

ENGINEER RICK DOWNS	TITLE
DRAWN BY BOB BENJAMIN	<b>TLV320AIC34EVM - PART A</b>
DOCUMENT CONTROL NO. 6486099	SIZE A DATE 14-Feb-2007 REV A
SHEET 1 OF 3	FILE

Revision History		
REV	EON Number	Approved



C43, C44, and C45 are not installed, but can be used to filter noise.

R14, R15, R16 and R17 are not installed, but can be used as pull ups or pull downs on the GPIO lines.

**TEXAS INSTRUMENTS**  
 DATA ACQUISITION PRODUCTS  
 HIGH PERFORMANCE ANALOG DIVISION  
 SEMICONDUCTOR GROUP  
 6730 SOUTH TUCSON BLVD., TUCSON, AZ 85706 USA

ENGINEER RICK DOWNS		TITLE	
DRAWN BY BOB BENJAMIN		TLV320AIC34EVM - PART B	
DOCUMENT CONTROL NO. 6486099	SIZE A	DATE 14-Feb-2007	REV A
SHEET 2 OF 3	FILE		

## Appendix C TLV320AIC34EVM Layout Views

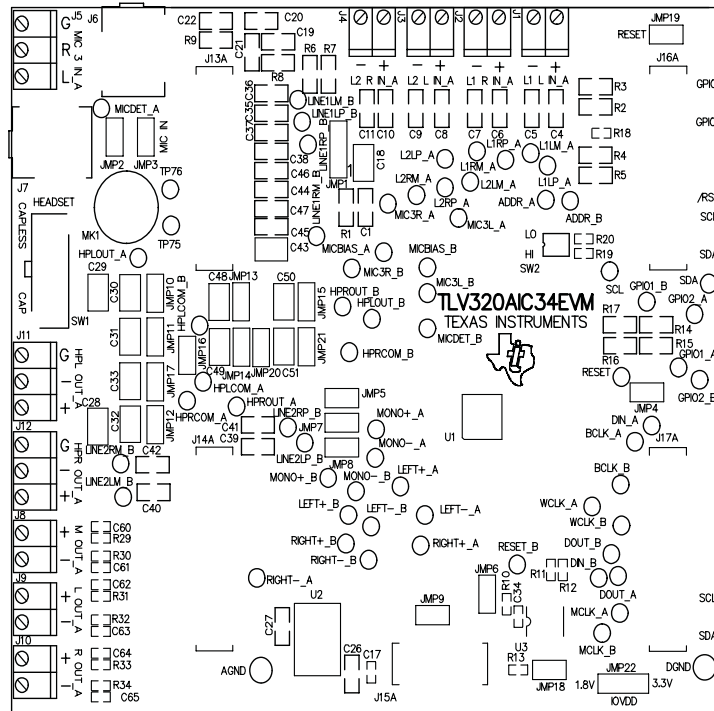


Figure C-1. Assembly layer

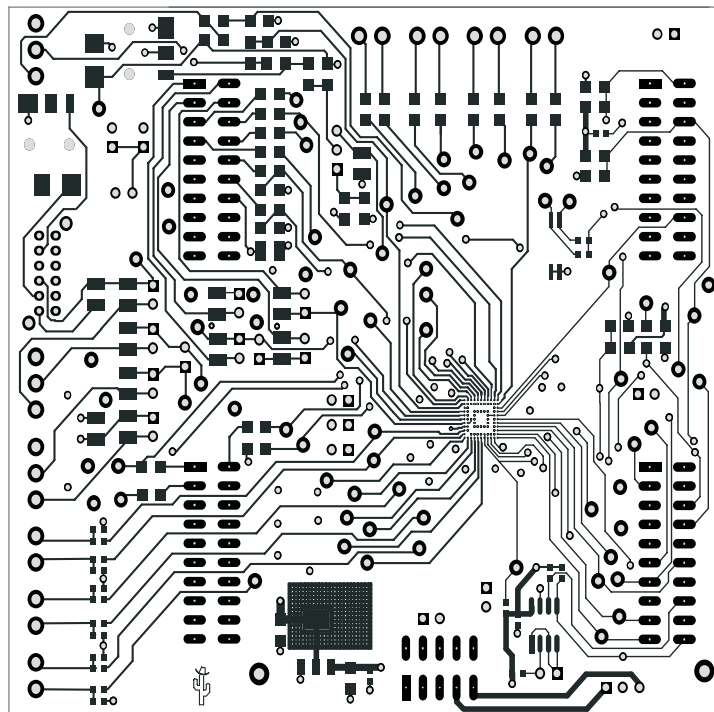


Figure C-2. Top Layer

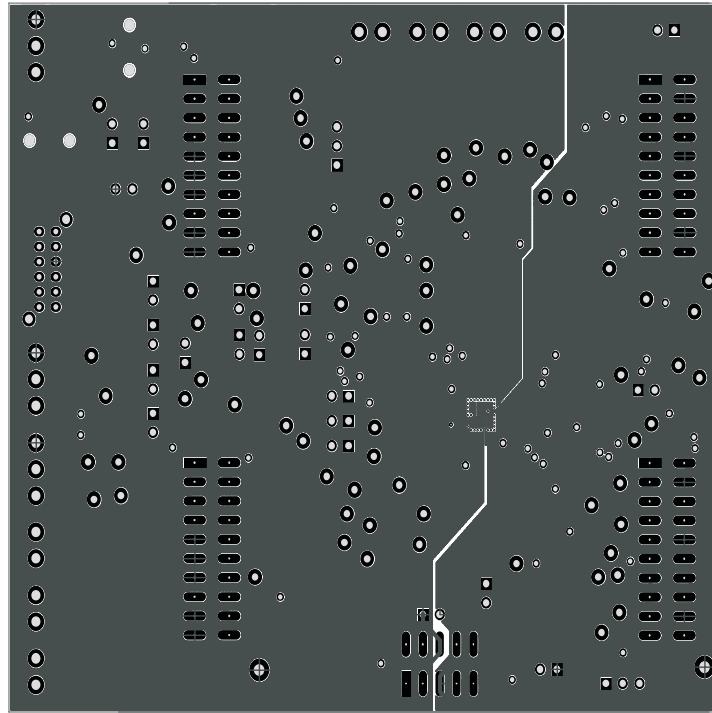


Figure C-3. Layer 3

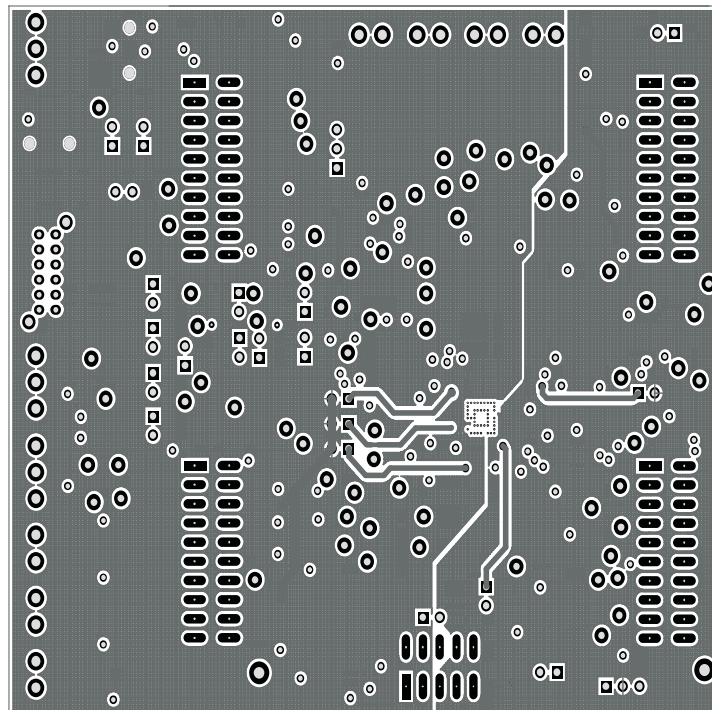


Figure C-4. Layer 4

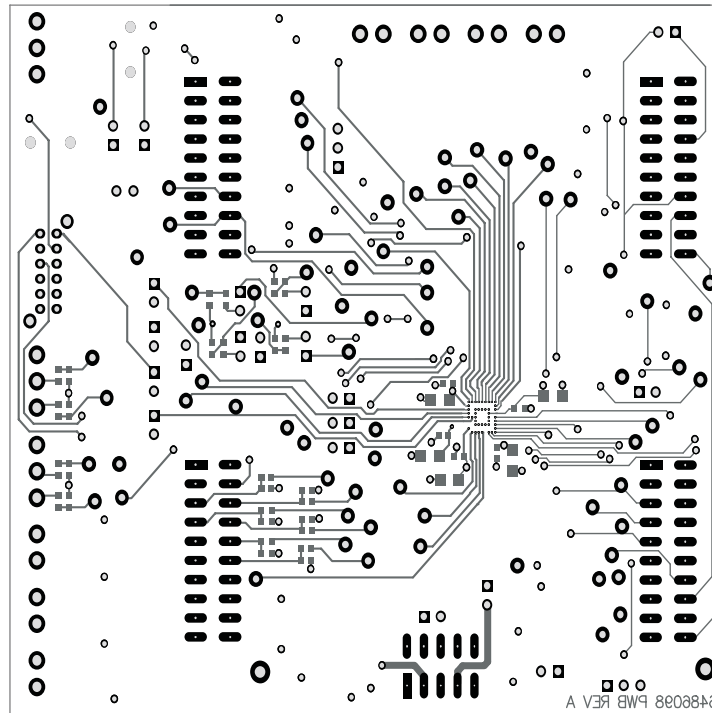


Figure C-5. Bottom Layer

## Appendix D TLV320AIC34EVM Bill of Materials

The complete bill of materials for the modular TLV320AIC34EVM is provided as a reference.

**Table D.1. TLV320AIC34EVM Bill of Materials**

Item no.	Qty	Value	Ref Des	Description	Vendor	Part number
1	2	0	R8, R9	1/4W 5% Chip Resistor	Panasonic	ERJ-8GEY0R00V
2	20	100	R21-R40	1/10W 1% Chip Resistor	Panasonic	ERJ-3EKF1000V
3	2	2.2K	R6, R7	1/4W 5% Chip Resistor	Panasonic	ERJ-8GEYJ222V
4	3	2.7K	R11, R12, R13	1/10W 5% Chip Resistor	Panasonic	ERJ-3GEYJ272V
5	2	10K	R19, R20	1/10W 5% Chip Resistor	Panasonic	ERJ-3GEYJ103V
6	2	100K	R10, R18	1/10W 5% Chip Resistor	Panasonic	ERJ-3GEYJ104V
Not Installed	5	NI	R1-R5, R14-R17	Chip Resistor		
7	20	47nF	C52-C71	25V Ceramic Chip Capacitor, +/- 10%, X7R	TDK	C1608X7R1E473K
8	7	0.1uF	C12-C17, C34	16V Ceramic Chip Capacitor, +/- 10%, X7R	TDK	C1608X7R1C104K
9	20	0.1uF	C4-C11, C21-C22, C35-C42, C46-C47	100V Ceramic Chip Capacitor, +/- 10%, X7R	TDK	C3216X7R2A104K
10	8	10uF	C1-C3, C23-C27	6.3V Ceramic Chip Capacitor, +/- 20%, X5R	TDK	C3216X5R0J106M
11	10	47uF	C28-C33, C48-C51	6.3V Ceramic Chip Capacitor, +/- 20%, X5R	TDK	C3225X5R0J476M
Not Installed	4	NI	C19, C20, C44, C45	Ceramic Chip Capacitor, 1206		
Not Installed	2	NI	C18, C43	Ceramic Chip Capacitor, 1210		
12	1		U1	Audio Codec	Texas Instruments	TLV320AIC34IZAS
13	1		U2	3.3V LDO Voltage Regulator	Texas Instruments	REG1117-3.3
14	1		U3	64K I2C EEPROM	MicroChip	24AA64-I/SN
15	7		J1-J4, J8-J10	Screw Terminal Block, 2 Position	On Shore Technology	ED555/2DS
16	3		J5, J11, J12	Screw Terminal Block, 3 Position	On Shore Technology	ED555/3DS
17	2		J6, J7	3.5mm Audio Jack, T-R-S, SMD	CUI Inc.	SJ1-3515-SMT
18	4		J13A, J14A, J16A, J17A	20 Pin SMT Plug	Samtec	TSM-110-01-L-DV-P
19	4		J13B, J14B, J16B, J17B	20 pin SMT Socket	Samtec	SSW-110-22-F-D-VS-K
20	1		J15A	10 Pin SMT Plug	Samtec	TSM-105-01-L-DV-P
21	1		J15B	10 pin SMT Socket	Samtec	SSW-105-22-F-D-VS-K
22	1		N/A	TLV320AIC34EVM PWB	Texas Instruments	6486098
23	15		JMP2-JMP3, JMP9-JMP21	2 Position Jumper , 0.1" spacing	Samtec	TSW-102-07-L-S
24	5		JMP4-JMP8	Bus Wire (18-22 Gauge)		
25	2		JMP1, JMP22	3 Position Jumper , 0.1" spacing	Samtec	TSW-103-07-L-S
26	1		MK1	Omnidirectional Microphone Cartridge	Knowles Acoustics	MD9745APZ-F
27	1		SW1	4PDT Right Angle Switch	E-Switch	EG4208
28	1		SW2	2 Position Half-Pitch Dipswitch	C&K	TDA02H0SB1
Not Installed	74		TP1-TP39, TP42-TP76	Miniature Test Point Terminal	Keystone Electronics	5000
29	2		TP40, TP41	Multipurpose Test Point Terminal	Keystone Electronics	5011
30	18		N/A	Header Shorting Block	Samtec	SNT-100-BK-T

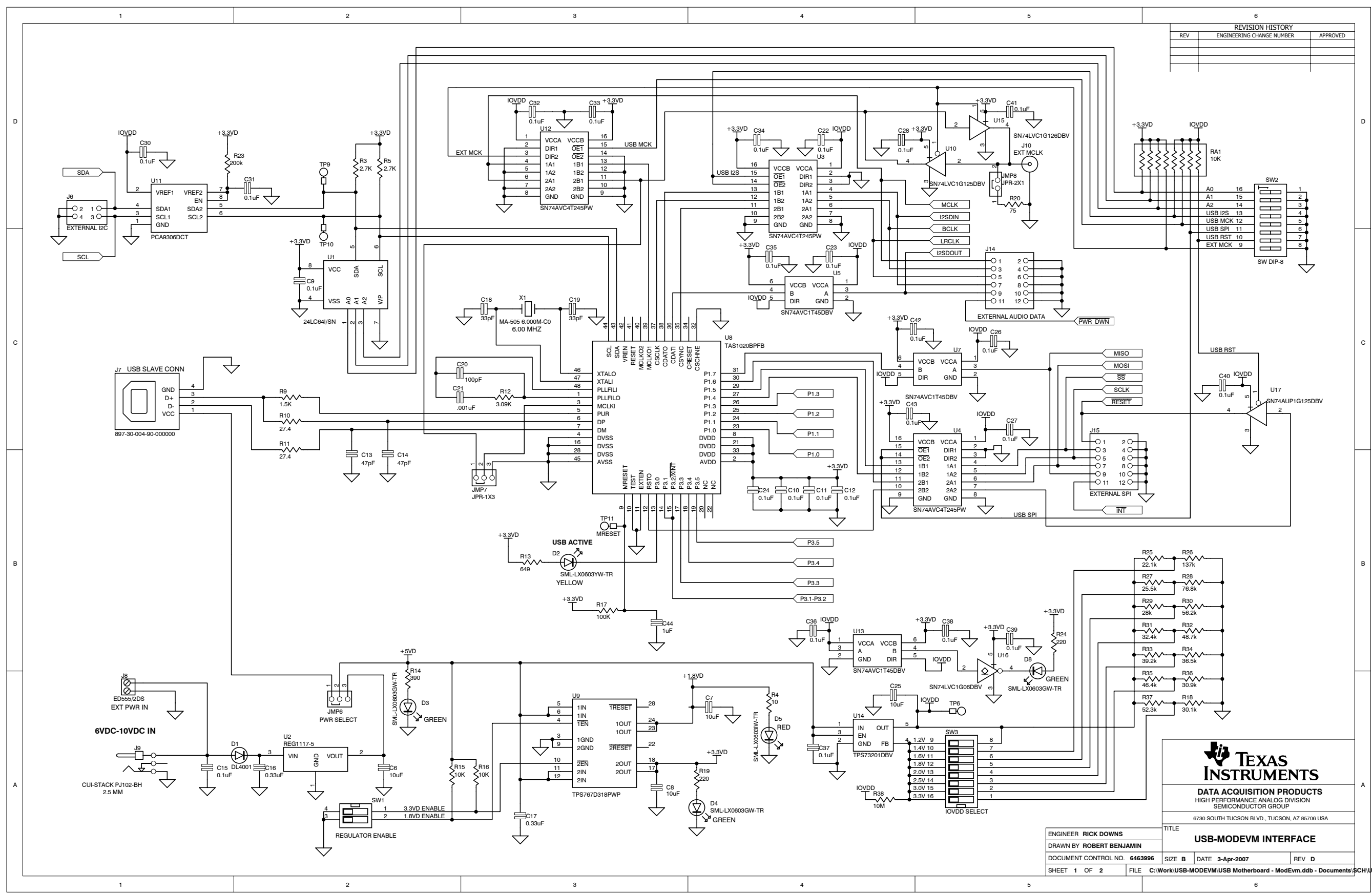
**ATTENTION:** All components should be RoHS compliant. Some part number may be either leaded or RoHS. Verify purchased components are RoHS compliant.



## **Appendix E USB-MODEVM Schematic**

The schematic diagram for USB-MODEVM Interface Board (included in the TLV320AIC34EVM-K) is provided as a reference.

REVISION HISTORY		
REV	ENGINEERING CHANGE NUMBER	APPROVED



**TEXAS INSTRUMENTS**  
 DATA ACQUISITION PRODUCTS  
 HIGH PERFORMANCE ANALOG DIVISION  
 SEMICONDUCTOR GROUP

6730 SOUTH TUCSON BLVD., TUCSON, AZ 85706 USA

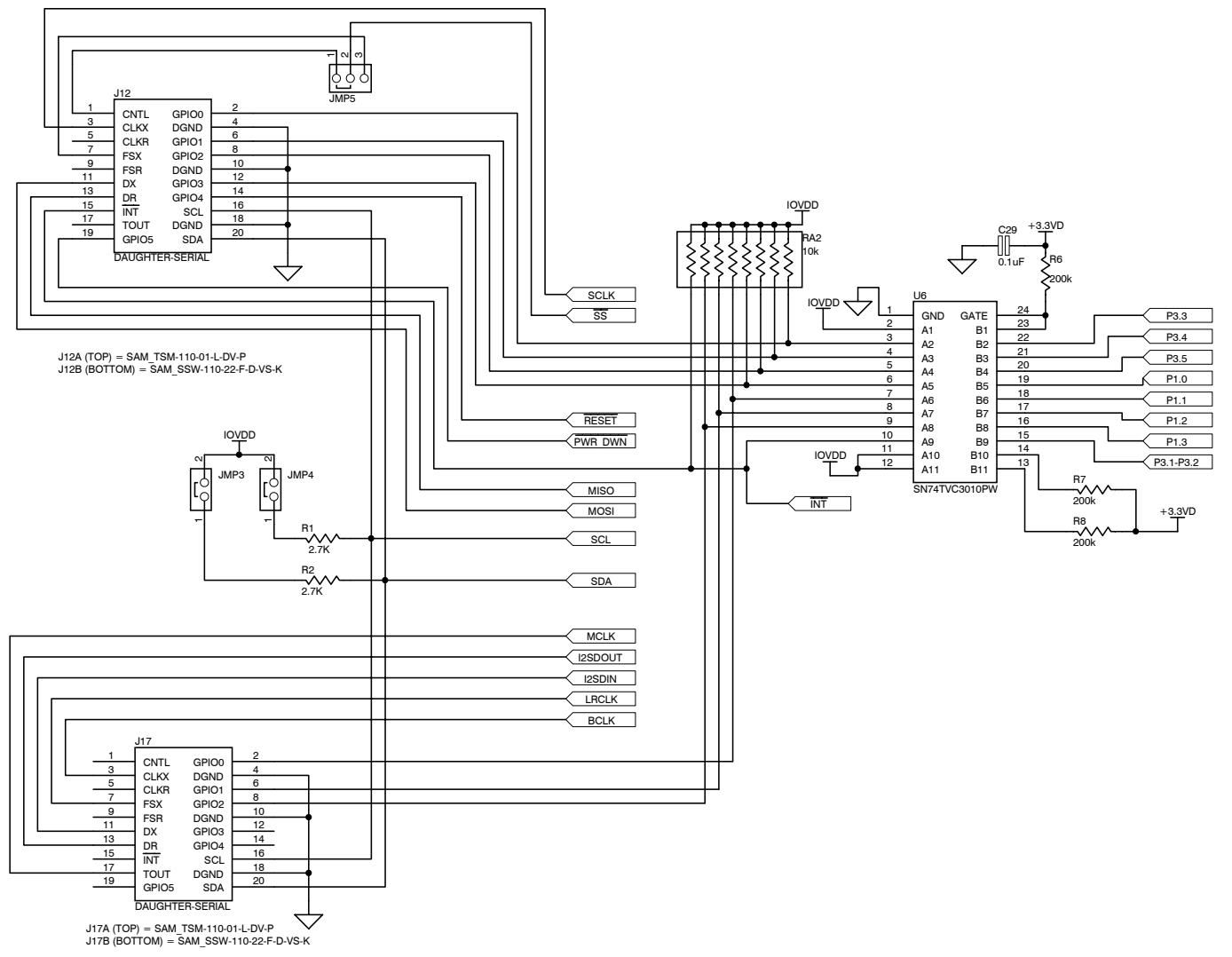
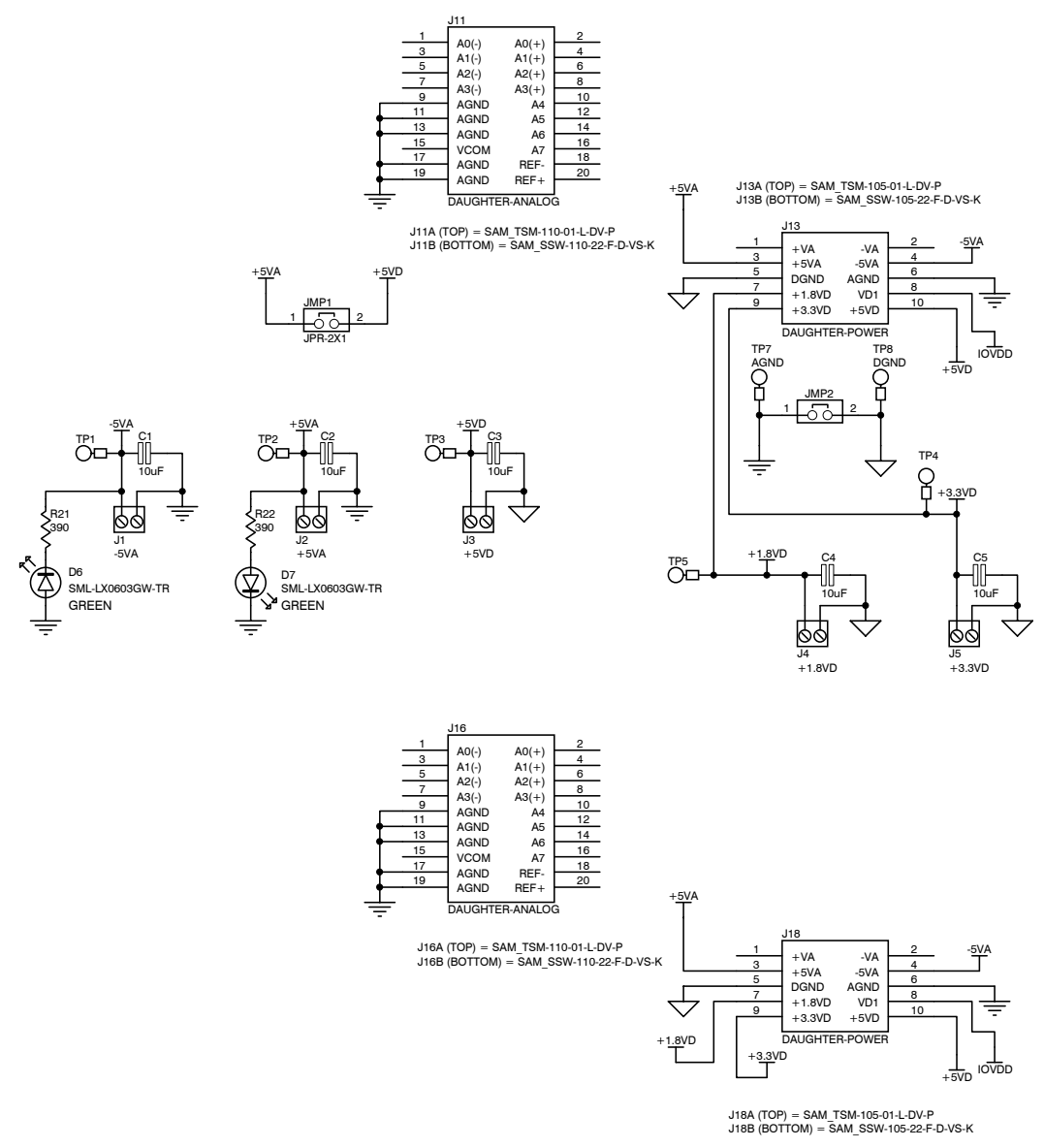
TITLE: **USB-MODEVM INTERFACE**

ENGINEER: RICK DOWNS  
 DRAWN BY: ROBERT BENJAMIN  
 DOCUMENT CONTROL NO. 6463996  
 SHEET 1 OF 2

SIZE B DATE 3-Apr-2007 REV D

FILE C:\Work\USB-MODEVM\USB Motherboard - ModEvm.ddb - Documents\SCH\USB Interface

REVISION HISTORY		
REV	ENGINEERING CHANGE NUMBER	APPROVED



**TEXAS INSTRUMENTS**  
DATA ACQUISITION PRODUCTS  
HIGH-PERFORMANCE ANALOG DIVISION  
SEMICONDUCTOR GROUP

8730 SOUTH TUCSON BLVD., TUCSON, AZ 85706 USA

ENGINEER	RICK DOWNS	TITLE	USB-MODEVM INTERFACE
DRAWN BY	ROBERT BENJAMIN	DATE	3-Apr-2007
DOCUMENT CONTROL NO.	6463996	REV	D
SHEET	2 OF 2	FILE	C:\Work\USB-MODEVM\USB Motherboard - ModEvm.ddb - Documents\SCH Daughtercard Interface

## Appendix F USB-MODEVM Bill of Materials

The complete bill of materials for USB-MODEVM Interface Board (included only in the TLV320AIC34EVM-K) is provided as a reference.

**Table F-1. USB-MODEVM Bill of Materials**

Designators	Description	Manufacturer	Mfg. Part Number
R4	10Ω 1/10W 5% Chip Resistor	Panasonic	ERJ-3GEYJ1300V
R10, R11	27.4Ω 1/16W 1% Chip Resistor	Panasonic	ERJ-3EKF27R4V
R20	75Ω 1/4W 1% Chip Resistor	Panasonic	ERJ-14NF75R0U
R19	220Ω 1/10W 5% Chip Resistor	Panasonic	ERJ-3GEYJ221V
R14, R21, R22	390Ω 1/10W 5% Chip Resistor	Panasonic	ERJ-3GEYJ391V
R13	649Ω 1/16W 1% Chip Resistor	Panasonic	ERJ-3EKF6490V
R9	1.5KΩ 1/10W 5% Chip Resistor	Panasonic	ERJ-3GEYJ1352V
R1–R3, R5–R8	2.7KΩ 1/10W 5% Chip Resistor	Panasonic	ERJ-3GEYJ272V
R12	3.09KΩ 1/16W 1% Chip Resistor	Panasonic	ERJ-3EKF3091V
R15, R16	10KΩ 1/10W 5% Chip Resistor	Panasonic	ERJ-3GEYJ1303V
R17, R18	100kΩ 1/10W 5% Chip Resistor	Panasonic	ERJ-3GEYJ1304V
RA1	10KΩ 1/8W Octal Isolated Resistor Array	CTS Corporation	742C163103JTR
C18, C19	33pF 50V Ceramic Chip Capacitor, ±5%, NPO	TDK	C1608C0G1H330J
C13, C14	47pF 50V Ceramic Chip Capacitor, ±5%, NPO	TDK	C1608C0G1H470J
C20	100pF 50V Ceramic Chip Capacitor, ±5%, NPO	TDK	C1608C0G1H101J
C21	1000pF 50V Ceramic Chip Capacitor, ±5%, NPO	TDK	C1608C0G1H102J
C15	0.1μF 16V Ceramic Chip Capacitor, ±10%, X7R	TDK	C1608X7R1C104K
C16, C17	0.33μF 16V Ceramic Chip Capacitor, ±20%, Y5V	TDK	C1608X5R1C334K
C9–C12, C22–C28	1μF 6.3V Ceramic Chip Capacitor, ±10%, X5R	TDK	C1608X5R0J1305K
C1–C8	10μF 6.3V Ceramic Chip Capacitor, ±10%, X5R	TDK	C3216X5R0J1306K
D1	50V, 1A, Diode MELF SMD	Micro Commercial Components	DL4001
D2	Yellow Light Emitting Diode	Lumex	SML-LX0603YW-TR
D3–D7	Green Light Emitting Diode	Lumex	SML-LX0603GW-TR
D5	Red Light Emitting Diode	Lumex	SML-LX0603IW-TR
Q1, Q2	N-Channel MOSFET	Zetex	ZXMN6A07F
X1	6MHz Crystal SMD	Epson	MA-505 6.000M-C0
U8	USB Streaming Controller	Texas Instruments	TAS1020BPFB
U2	5V LDO Regulator	Texas Instruments	REG1117-5
U9	3.3V/1.8V Dual Output LDO Regulator	Texas Instruments	TPS767D318PWP
U3, U4	Quad, 3-State Buffers	Texas Instruments	SN74LVC125APW
U5–U7	Single IC Buffer Driver with Open Drain o/p	Texas Instruments	SN74LVC1G07DBVR
U10	Single 3-State Buffer	Texas Instruments	SN74LVC1G125DBVR
U1	64K 2-Wire Serial EEPROM I <sup>2</sup> C	Microchip	24LC64I/SN
	USB-MODEVM PCB	Texas Instruments	6463995
TP1–TP6, TP9–TP11	Miniature test point terminal	Keystone Electronics	5000
TP7, TP8	Multipurpose test point terminal	Keystone Electronics	5011
J7	USB Type B Slave Connector Thru-Hole	Mill-Max	897-30-004-90-000000
J13, J2–J5, J8	2-position terminal block	On Shore Technology	ED555/2DS
J9	2.5mm power connector	CUI Stack	PJ-102B
J130	BNC connector, female, PC mount	AMP/Tyco	414305-1
J131A, J132A, J21A, J22A	20-pin SMT plug	Samtec	TSM-110-01-L-DV-P
J131B, J132B, J21B, J22B	20-pin SMT socket	Samtec	SSW-110-22-F-D-VS-K
J133A, J23A	10-pin SMT plug	Samtec	TSM-105-01-L-DV-P
J133B, J23B	10-pin SMT socket	Samtec	SSW-105-22-F-D-VS-K
J6	4-pin double row header (2x2) 0.1"	Samtec	TSW-102-07-L-D
J134, J135	12-pin double row header (2x6) 0.1"	Samtec	TSW-106-07-L-D

**Table F-1. USB-MODEVM Bill of Materials (continued)**

<b>Designators</b>	<b>Description</b>	<b>Manufacturer</b>	<b>Mfg. Part Number</b>
JMP1–JMP4	2-position jumper, 0.1" spacing	Samtec	TSW-102-07-L-S
JMP8–JMP14	2-position jumper, 0.1" spacing	Samtec	TSW-102-07-L-S
JMP5, JMP6	3-position jumper, 0.1" spacing	Samtec	TSW-103-07-L-S
JMP7	3-position dual row jumper, 0.1" spacing	Samtec	TSW-103-07-L-D
SW1	SMT, half-pitch 2-position switch	C&K Division, ITT	TDA02H0SK1
SW2	SMT, half-pitch 8-position switch	C&K Division, ITT	TDA08H0SK1
	Jumper plug	Samtec	SNT-100-BK-T

## Appendix G USB-MODEVM Protocol

### G.1 USB-MODEVM Protocol

The USB-MODEVM is defined to be a Vendor-Specific class, and is identified on the PC system as an NI-VISA device. Because the TAS1020 has several routines in its ROM which are designed for use with HID-class devices, HID-like structures are used, even though the USB-MODEVM is not an HID-class device. Data is passed from the PC to the TAS1020 using the control endpoint.

Data is sent in an HIDSETREPORT (see [Table G-1](#)):

**Table G-1. USB Control Endpoint  
HIDSETREPORT Request**

Part	Value	Description
bmRequestType	0x21	00100001
bRequest	0x09	SET_REPORT
wValue	0x00	don't care
wIndex	0x03	HID interface is index 3
wLength	calculated by host	
Data		Data packet as described below

The data packet consists of the following bytes, shown in [Table G-2](#):

**Table G-2. Data Packet Configuration**

BYTE NUMBER	TYPE	DESCRIPTION
0	Interface	Specifies serial interface and operation. The two values are logically OR'd. Operation: READ      0x00 WRITE     0x10  Interface: GPIO       0x08 SPI_16    0x04 I2C_FAST  0x02 I2C_STD   0x01 SPI_8      0x00
1	I <sup>2</sup> C Slave Address	Slave address of I <sup>2</sup> C device or MSB of 16-bit reg addr for SPI
2	Length	Length of data to write/read (number of bytes)
3	Register address	Address of register for I <sup>2</sup> C or 8-bit SPI; LSB of 16-bit address for SPI
4..64	Data	Up to 60 data bytes could be written at a time. EPO maximum length is 64. The return packet is limited to 42 bytes, so advise only sending 32 bytes at any one time.

Example usage:

Write two bytes (AA, 55) to device starting at register 5 of an I<sup>2</sup>C device with address A0:

```
[ 0 ]    0x11
[ 1 ]    0xA0
[ 2 ]    0x02
[ 3 ]    0x05
[ 4 ]    0xAA
[ 5 ]    0x55
```

Do the same with a fast mode I<sup>2</sup>C device:

```

[0] 0x12
[1] 0xA0
[2] 0x02
[3] 0x05
[4] 0xAA
[5] 0x55
  
```

Now with an SPI device which uses an 8-bit register address:

```

[0] 0x10
[1] 0xA0
[2] 0x02
[3] 0x05
[4] 0xAA
[5] 0x55
  
```

Now let's do a 16-bit register address, as found on parts like the TSC2101. Assume the register address (command word) is **0x10E0**:

```

[0] 0x14
[1] 0x10 --> Note: the I2C address now serves as MSB of reg addr.
[2] 0x02
[3] 0xE0
[4] 0xAA
[5] 0x55
  
```

In each case, the TAS1020 will return, in an HID interrupt packet, the following:

[0] interface byte | status

status:

REQ\_ERROR 0x80

INTF\_ERROR 0x40

REQ\_DONE 0x20

[1] for I<sup>2</sup>C interfaces, the I<sup>2</sup>C address as sent

for SPI interfaces, the read back data from SPI line for transmission of the corresponding byte

[2] length as sent

[3] for I<sup>2</sup>C interfaces, the reg address as sent

for SPI interfaces, the read back data from SPI line for transmission of the corresponding byte

[4..60] echo of data packet sent

If the command is sent with no problem, the returning byte [0] should be the same as the sent one logically or'd with 0x20 - in our first example above, the returning packet should be:

```
[0] 0x31
[1] 0xA0
[2] 0x02
[3] 0x05
[4] 0xAA
[5] 0x55
```

If for some reason the interface fails (for example, the I<sup>2</sup>C device does not acknowledge), it would come back as:

```
[0] 0x51 --> interface | INTF_ERROR
[1] 0xA0
[2] 0x02
[3] 0x05
[4] 0xAA
[5] 0x55
```

If the request is malformed, that is, the interface byte (byte [0]) takes on a value which is not described above, the return packet would be:

```
[0] 0x93 --> the user sent 0x13, which is not valid, so 0x93 returned
[1] 0xA0
[2] 0x02
[3] 0x05
[4] 0xAA
[5] 0x55
```

Examples above used writes. Reading is similar:

Read two bytes from device starting at register 5 of an I<sup>2</sup>C device with address A0:

```
[0] 0x01
[1] 0xA0
[2] 0x02
[3] 0x05
```



The return packet should be

```

[0] 0x21
[1] 0xA0
[2] 0x02
[3] 0x05
[4] 0xAA
[5] 0x55
  
```

assuming that the values we wrote above starting at Register 5 were actually written to the device.

## G.2 GPIO Capability

The USB-MODEVM has seven GPIO lines. Access them by specifying the interface to be 0x08, and then using the standard format for packets—but addresses are unnecessary. The GPIO lines are mapped into one byte (see [Table G-3](#)):

**Table G-3. GPIO Pin Assignments**

Bit 7	6	5	4	3	2	1	0
x	P3.5	P3.4	P3.3	P1.3	P1.2	P1.1	P1.0

Example: write P3.5 to a 1, set all others to 0:

```

[0] 0x18 --> write, GPIO
[1] 0x00 --> this value is ignored
[2] 0x01 --> length - ALWAYS a 1
[3] 0x00 --> this value is ignored
[4] 0x40 --> 01000000
  
```

The user may also read back from the GPIO to see the state of the pins. Let's say we just wrote the previous example to the port pins.

Example: read the GPIO

```

[0] 0x08 --> read, GPIO
[1] 0x00 --> this value is ignored
[2] 0x01 --> length - ALWAYS a 1
[3] 0x00 --> this value is ignored
  
```

The return packet should be:

```

[0] 0x28
[1] 0x00
[2] 0x01
[3] 0x00
[4] 0x40
  
```

## G.3 Writing Scripts

A script is simply a text file that contains data to send to the serial control buses. The scripting language is quite simple, as is the parser for the language. Therefore, the program is not very forgiving about mistakes made in the source script file, but the formatting of the file is simple. Consequently, mistakes should be rare.

Each line in a script file is one command. There is no provision for extending lines beyond one line. A line is terminated by a carriage return.

The first character of a line is the command. Commands are:

- i** Set interface bus to use
- r** Read from the serial control bus
- w** Write to the serial control bus
- #** Comment
- b** Break
- d** Delay

The first command, **i**, sets the interface to use for the commands to follow. This command must be followed by one of the following parameters:

<b>i2cstd</b>	Standard mode I <sup>2</sup> C Bus
<b>i2cfast</b>	Fast mode I <sup>2</sup> C bus
<b>spi8</b>	SPI bus with 8-bit register addressing
<b>spi16</b>	SPI bus with 16-bit register addressing
<b>gpio</b>	Use the USB-MODEVM GPIO capability

For example, if a fast mode I<sup>2</sup>C bus is to be used, the script would begin with:

**i i2cfast**

No data follows the break command. Anything following a comment command is ignored by the parser, provided that it is on the same line. The delay command allows the user to specify a time, in milliseconds, that the script will pause before proceeding.

---

**Note:** UNLIKE ALL OTHER NUMBERS USED IN THE SCRIPT COMMANDS, THE DELAY TIME IS ENTERED IN A DECIMAL FORMAT. Also, note that because of latency in the USB bus as well as the time it takes the processor on the USB-MODEVM to handle requests, the delay time may not be precise.

---

A series of byte values follows either a read or write command. Each byte value is expressed in hexadecimal, and each byte must be separated by a space. Commands are interpreted and sent to the TAS1020 by the program using the protocol described in [Section G.1](#).

The first byte following a read or write command is the I<sup>2</sup>C slave address of the device (if I<sup>2</sup>C is used) or the first data byte to write (if SPI is used—note that SPI interfaces are not standardized on protocols, so the meaning of this byte will vary with the device being addressed on the SPI bus). The second byte is the starting register address that data will be written to (again, with I<sup>2</sup>C; SPI varies—see [Section G.1](#) for additional information about what variations may be necessary for a particular SPI mode). Following these two bytes are data, if writing; if reading, the third byte value is the number of bytes to read, (expressed in hexadecimal).

For example, to write the values 0xAA 0x55 to an I<sup>2</sup>C device with a slave address of 0x90, starting at a register address of 0x03, one would write:

```
#example script
i i2cfast
w 90 03 AA 55
r 90 03 2
```

This script begins with a comment, specifies that a fast I<sup>2</sup>C bus will be used, then writes 0xAA 0x55 to the I<sup>2</sup>C slave device at address 0x90, writing the values into registers 0x03 and 0x04. The script then reads back two bytes from the same device starting at register address 0x03. Note that the slave device value does not change. It is not necessary to set the R/W bit for I<sup>2</sup>C devices in the script; the read or write commands will do that.

Here is an example of using an SPI device that requires 16-bit register addresses:

```

# setup TSC2101 for input and output
# uses SPI16 interface
# this script sets up DAC and ADC at full volume, input from onboard mic
#
# Page 2: Audio control registers
w 10 00 00 00 80 00 00 00 45 31 44 FD 40 00 31 C4
w 13 60 11 20 00 00 00 80 7F 00 C5 FE 31 40 7C 00 02 00 C4 00 00 00 23 10 FE
00 FE 00
  
```

Note that blank lines are allowed. However, be sure that the script does not end with a blank line. While ending with a blank line will not cause the script to fail, the program will execute that line, and therefore, may prevent the user from seeing data that was written or read back on the previous command.

In this example, the first two bytes of each command are the command word to send to the TSC2101 (0x1000, 0x1360); these are followed by data to write to the device starting at the address specified in the command word. The second line may wrap in the viewer being used to look like more than one line; careful examination will show, however, that there is only one carriage return on that line, following the last **00**.

Any text editor may be used to write these scripts; Jedit is an editor that is highly recommended for general usage. For more information, go to: <http://www.jedit.org>.

Once the script is written, it can be used in the command window by running the program, and then selecting *Open Command File...* from the File menu. Locate the script and open it. The script will then be displayed in the command buffer. The user may also edit the script once it is in the buffer, but saving of the command buffer is not possible at this time (this feature may be added at a later date).

Once the script is in the command buffer, it may be executed by pressing the *Execute Command Buffer* button. If there are breakpoints in the script, the script will execute to that point, and the user will be presented with a dialog box with a button to press to continue executing the script. When ready to proceed, push that button and the script will continue.

Here an example of a (partial) script with breakpoints using the AIC33EVM as an example:

```

# setup AIC33 for input and output
# uses I2C                               interface
i i2cfast
# reg 07 - codec datapath
w 30 07 8A
r 30 07 1
d 1000
# regs 15/16 - ADC volume, unmute and set to 0dB
w 30 0F 00 00
r 30 0F 2
b
  
```

This script writes the value 8A at register 7, then reads it back to verify that the write was good. A delay of 1000ms (one second) is placed after the read to pause the script operation. When the script continues, the values **00 00** will be written starting at register 0F. This output is verified by reading two bytes, and pausing the script again, this time with a break. The script would not continue until the user allows it to by pressing *OK* in the dialog box that will be displayed due to the break.

## FCC Warnings

This equipment is intended for use in a laboratory test environment only. It generates, uses, and can radiate radio frequency energy and has not been tested for compliance with the limits of computing devices pursuant to subpart J of part 15 of FCC rules, which are designed to provide reasonable protection against radio frequency interference. Operation of this equipment in other environments may cause interference with radio communications, in which case the user at his own expense will be required to take whatever measures may be required to correct this interference.

## EVM TERMS AND CONDITIONS

Texas Instruments (TI) provides the enclosed Evaluation Module and related material (EVM) to you, the user, (you or user) **SUBJECT TO** the terms and conditions set forth below. By accepting and using the EVM, you are indicating that you have read, understand and agree to be bound by these terms and conditions. **IF YOU DO NOT AGREE TO BE BOUND BY THESE TERMS AND CONDITIONS, YOU MUST RETURN THE EVM AND NOT USE IT.**

This EVM is provided to you by TI and is intended for your **INTERNAL ENGINEERING DEVELOPMENT OR EVALUATION PURPOSES ONLY**. It is provided "AS IS" and "WITH ALL FAULTS." It is not considered by TI to be fit for commercial use. As such, the EVM may be incomplete in terms of required design-, marketing-, and/or manufacturing-related protective considerations, including product safety measures typically found in the end product. As a prototype, the EVM does not fall within the scope of the European Union directive on electromagnetic compatibility and therefore may not meet the technical requirements of the directive.

Should this EVM not meet the specifications indicated in the EVM User's Guide, it may be returned within 30 days from the date of delivery for a full refund of any amount paid by user for the EVM, which user agrees shall be user's sole and exclusive remedy. **THE FOREGOING WARRANTY IS THE EXCLUSIVE WARRANTY MADE BY TI TO USER, AND IS IN LIEU OF ALL OTHER WARRANTIES, EXPRESSED, IMPLIED, OR STATUTORY, INCLUDING ANY WARRANTY OF MERCHANTABILITY, FITNESS FOR ANY PARTICULAR PURPOSE OR NON-INFRINGEMENT.**

TI shall have no obligation to defend any claim arising from the EVM, including but not limited to claims that the EVM infringes third party intellectual property. Further, TI shall have no liability to user for any costs, losses or damages resulting from any such claims. User shall indemnify and hold TI harmless against any damages, liabilities or costs resulting from any claim, suit or proceeding arising from user's handling or use of the EVM, including but not limited to, (i) claims that the EVM infringes a third party's intellectual property, and (ii) claims arising from the user's use or handling of the EVM. TI shall have no responsibility to defend any such claim, suit or proceeding.

User assumes all responsibility and liability for proper and safe handling and use of the EVM and the evaluation of the EVM. TI shall have no liability for any costs, losses or damages resulting from the use or handling of the EVM. User acknowledges that the EVM may not be regulatory compliant or agency certified (FCC, UL, CE, etc.). Due to the open construction of the EVM it is the user's responsibility to take any and all appropriate precautions with regard to electrostatic discharge.

**EXCEPT TO THE EXTENT OF THE USER'S INDEMNITY OBLIGATIONS SET FORTH ABOVE, NEITHER PARTY SHALL BE LIABLE TO THE OTHER FOR ANY INDIRECT, SPECIAL, INCIDENTAL, OR CONSEQUENTIAL DAMAGES WHETHER TI IS NOTIFIED OF THE POSSIBILITY OR NOT.**

TI currently deals with a variety of customers for products, and therefore our arrangement with the user **is not exclusive**.

TI assumes **no liability for applications assistance, customer product design, software performance, or infringement of patents or services described herein**.

User agrees to read the EVM User's Guide and, specifically, the EVM warnings and Restrictions notice in the EVM User's Guide prior to handling the EVM and the product. This notice contains important safety information about temperatures and voltages.

It is user's responsibility to ensure that persons handling the EVM and the product have electronics training and observe good laboratory practice standards.

By providing user with this EVM, product and services, TI is NOT granting user any license in any patent or other intellectual property right.

## EVM WARNINGS AND RESTRICTIONS

It is important to operate this EVM within the input voltage range of 3.3 V to 5 V and the output voltage range of 0 V to 5 V.

Exceeding the specified input range may cause unexpected operation and/or irreversible damage to the EVM. If there are questions concerning the input range, please contact a TI field representative prior to connecting the input power.

Applying loads outside of the specified output range may result in unintended operation and/or possible permanent damage to the EVM. Please consult the EVM User's Guide prior to connecting any load to the EVM output. If there is uncertainty as to the load specification, please contact a TI field representative.

During normal operation, some circuit components may have case temperatures greater than 30°C. The EVM is designed to operate properly with certain components above 85°C as long as the input and output ranges are maintained. These components include but are not limited to linear regulators, switching transistors, pass transistors, and current sense resistors. These types of devices can be identified using the EVM schematic located in the EVM User's Guide. When placing measurement probes near these devices during operation, please be aware that these devices may be very warm to the touch.

Mailing Address: Texas Instruments, Post Office Box 655303, Dallas, Texas 75265  
Copyright 2007, Texas Instruments Incorporated

## IMPORTANT NOTICE

Texas Instruments Incorporated and its subsidiaries (TI) reserve the right to make corrections, modifications, enhancements, improvements, and other changes to its products and services at any time and to discontinue any product or service without notice. Customers should obtain the latest relevant information before placing orders and should verify that such information is current and complete. All products are sold subject to TI's terms and conditions of sale supplied at the time of order acknowledgment.

TI warrants performance of its hardware products to the specifications applicable at the time of sale in accordance with TI's standard warranty. Testing and other quality control techniques are used to the extent TI deems necessary to support this warranty. Except where mandated by government requirements, testing of all parameters of each product is not necessarily performed.

TI assumes no liability for applications assistance or customer product design. Customers are responsible for their products and applications using TI components. To minimize the risks associated with customer products and applications, customers should provide adequate design and operating safeguards.

TI does not warrant or represent that any license, either express or implied, is granted under any TI patent right, copyright, mask work right, or other TI intellectual property right relating to any combination, machine, or process in which TI products or services are used. Information published by TI regarding third-party products or services does not constitute a license from TI to use such products or services or a warranty or endorsement thereof. Use of such information may require a license from a third party under the patents or other intellectual property of the third party, or a license from TI under the patents or other intellectual property of TI.

Reproduction of TI information in TI data books or data sheets is permissible only if reproduction is without alteration and is accompanied by all associated warranties, conditions, limitations, and notices. Reproduction of this information with alteration is an unfair and deceptive business practice. TI is not responsible or liable for such altered documentation. Information of third parties may be subject to additional restrictions.

Resale of TI products or services with statements different from or beyond the parameters stated by TI for that product or service voids all express and any implied warranties for the associated TI product or service and is an unfair and deceptive business practice. TI is not responsible or liable for any such statements.

TI products are not authorized for use in safety-critical applications (such as life support) where a failure of the TI product would reasonably be expected to cause severe personal injury or death, unless officers of the parties have executed an agreement specifically governing such use. Buyers represent that they have all necessary expertise in the safety and regulatory ramifications of their applications, and acknowledge and agree that they are solely responsible for all legal, regulatory and safety-related requirements concerning their products and any use of TI products in such safety-critical applications, notwithstanding any applications-related information or support that may be provided by TI. Further, Buyers must fully indemnify TI and its representatives against any damages arising out of the use of TI products in such safety-critical applications.

TI products are neither designed nor intended for use in military/aerospace applications or environments unless the TI products are specifically designated by TI as military-grade or "enhanced plastic." Only products designated by TI as military-grade meet military specifications. Buyers acknowledge and agree that any such use of TI products which TI has not designated as military-grade is solely at the Buyer's risk, and that they are solely responsible for compliance with all legal and regulatory requirements in connection with such use.

TI products are neither designed nor intended for use in automotive applications or environments unless the specific TI products are designated by TI as compliant with ISO/TS 16949 requirements. Buyers acknowledge and agree that, if they use any non-designated products in automotive applications, TI will not be responsible for any failure to meet such requirements.

Following are URLs where you can obtain information on other Texas Instruments products and application solutions:

<b>Products</b>		<b>Applications</b>	
Amplifiers	<a href="http://amplifier.ti.com">amplifier.ti.com</a>	Audio	<a href="http://www.ti.com/audio">www.ti.com/audio</a>
Data Converters	<a href="http://dataconverter.ti.com">dataconverter.ti.com</a>	Automotive	<a href="http://www.ti.com/automotive">www.ti.com/automotive</a>
DSP	<a href="http://dsp.ti.com">dsp.ti.com</a>	Broadband	<a href="http://www.ti.com/broadband">www.ti.com/broadband</a>
Interface	<a href="http://interface.ti.com">interface.ti.com</a>	Digital Control	<a href="http://www.ti.com/digitalcontrol">www.ti.com/digitalcontrol</a>
Logic	<a href="http://logic.ti.com">logic.ti.com</a>	Military	<a href="http://www.ti.com/military">www.ti.com/military</a>
Power Mgmt	<a href="http://power.ti.com">power.ti.com</a>	Optical Networking	<a href="http://www.ti.com/opticalnetwork">www.ti.com/opticalnetwork</a>
Microcontrollers	<a href="http://microcontroller.ti.com">microcontroller.ti.com</a>	Security	<a href="http://www.ti.com/security">www.ti.com/security</a>
RFID	<a href="http://www.ti-rfid.com">www.ti-rfid.com</a>	Telephony	<a href="http://www.ti.com/telephony">www.ti.com/telephony</a>
Low Power Wireless	<a href="http://www.ti.com/lpw">www.ti.com/lpw</a>	Video & Imaging	<a href="http://www.ti.com/video">www.ti.com/video</a>
		Wireless	<a href="http://www.ti.com/wireless">www.ti.com/wireless</a>

Mailing Address: Texas Instruments, Post Office Box 655303, Dallas, Texas 75265  
Copyright © 2007, Texas Instruments Incorporated