

Baseband I/Q Trace Mismatch Degrades Sideband Suppression of RF I/Q Modulation

Bill Wu and Russell Hoppenstein

HPA/HSP

ABSTRACT

The trace mismatches between DACs and RF modulators, including I and Q paths, differential line I_p and I_n , and differential line Q_p and Q_n , cause I/Q amplitude and phase errors and result in the sideband suppression (SBS) degradation in the RF modulation. This work investigated effects of these trace mismatches to the amplitude and phase errors and to the RF modulator SBS for providing a guideline in designing the interface between DAC and RF modulator and in the PCB layout.

Contents

1	Effects of I/Q Amplitude and Phase Errors to Sideband Suppression	2
2	Trace Mismatches between I and Q Channels	3
3	Trace Mismatches between I_p and I_n and between Q_p and Q_n	4
4	Experiment	7
	4.1 Case 1: Trace mismatch between the differential line I_p and I_n	7
	4.2 Case 2: Trace mismatch between I and Q	7
5	Conclusion	8

List of Figures

1	DAC348x Interface with the TRF3705 Modulator.....	2
2	SBS vs I/Q Amplitude and Phase Mismatches for I/Q Modulator	3
3	Coupled Microstrip Line as Differential Line for I and Q Signals	3
4	SBS vs. I/Q Trace Length Mismatch	4
5	Amplitudes of the Ideal and Distorted Differential Signals and the Error Signal.....	5
6	Amplitude Error due to Differential Trace Mismatch at Different Baseband Frequency	6
7	Phase Error due to Differential Trace Mismatch at Different Baseband Frequency	6
8	Set-up for Emulating Differential Line Trace Mismatch with Insertion of 0.773° Line Length in I_p Path, IF Frequency = 20 MHz.	7
9	Set-up for Emulating I/Q Trace Mismatch with Insertion of 0.773° Line Length in I_p and I_n Paths, IF Frequency = 20 MHz	8

1 Effects of I/Q Amplitude and Phase Errors to Sideband Suppression

In the most of applications, the Digital to Analog Converter (DAC) usually provides the baseband I/Q signals directly to RF modulators. [Figure 1](#) shows TI's DAC348x interfaces directly with TRF3705 modulator and two low-pass filters (LPFs) along I and Q paths are used to reject the DAC sampling images.

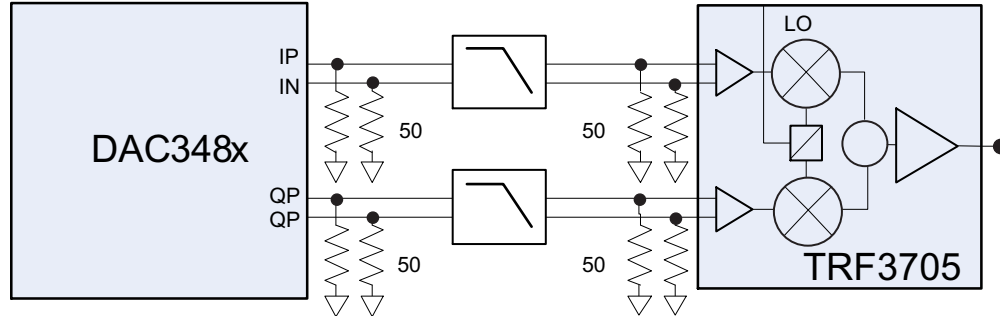


Figure 1. DAC348x Interface with the TRF3705 Modulator

The baseband inputs are comprised of the in-phase signal (I) and the Quadrature-phase signal (Q). The I and Q lines are differential lines. The RF modulator exhibits symmetry with respect to the quadrature input paths. It is recommended that the PCB layout maintain that symmetry in order to ensure that the quadrature balance of the device is not impaired. This symmetry includes the symmetry between I and Q, between I_p and I_n , and between Q_p and Q_n . The traces between I_p and I_n , and between Q_p and Q_n should be routed as differential pairs and their lengths are all kept equal. This symmetry requirement should also be applied to I and Q LPFs.

In reality, there will always be some mismatches between I and Q, between I_p and I_n , and between Q_p and Q_n . These mismatches cause I/Q phase and amplitude errors, which will result in the sideband suppression degradation at RF modulator's output. Typically the mismatches should be kept small enough so that the unadjusted SBS is less than -40 dBc.

The relationship between I/Q mismatches and the sideband rejection can be described as

$$\text{SBS(dBc)} = 10 \log_{10} \frac{1 + A^2 - 2A \cos \theta}{1 + A^2 + 2A \cos \theta} \quad (1)$$

where A is the voltage ratio of I amplitude to Q amplitude, and θ is the phase difference between I and Q. [Figure 2](#) shows the SBS versus amplitude and phase mismatches. As shown in [Figure 2](#), without amplitude mismatch (that is, $A = 0$ dB), θ must be less than 1.146° to achieve a SBS of better than -40 dBc and 0.36° for -50 dBc, which reveals that the SBS is very sensitive to the I/Q phase error.

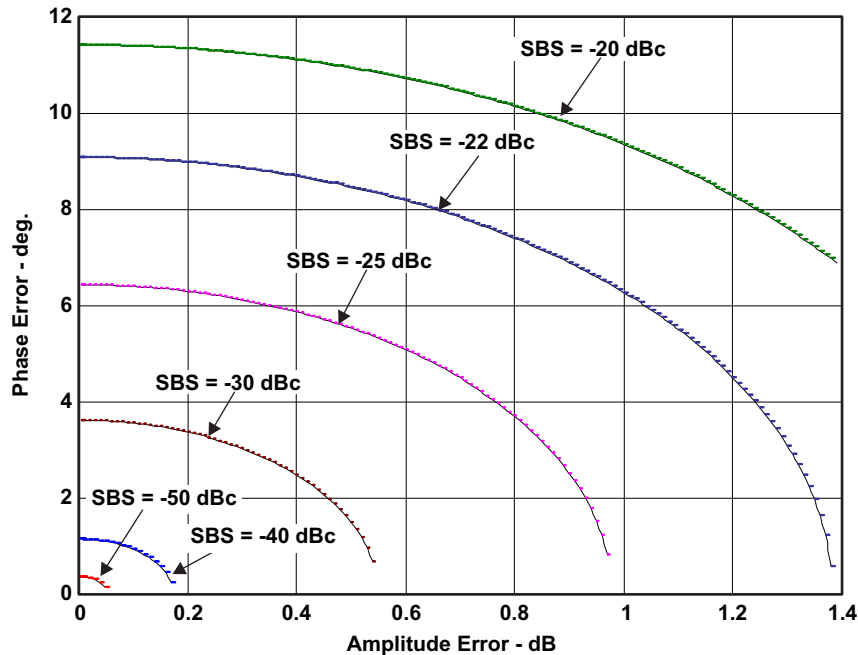


Figure 2. SBS vs I/Q Amplitude and Phase Mismatches for I/Q Modulator

2 Trace Mismatches between I and Q Channels

In this section, we will analyze the effect of the trace mismatch between I and Q channels on the SBS. Let us design a coupled microstrip line as the 100-Ω differential line on FR-4 material PCB as shown in Figure 3. The I/Q trace length mismatch causes no amplitude mismatch but only some phase mismatch. We have the phase error expressed as

$$\theta = \beta \Delta L = \frac{2\pi}{\lambda_g} \Delta L = \frac{2\pi f_{BB} \sqrt{\epsilon_e}}{C} \Delta L \tag{2}$$

where ΔL is the trace length mismatch between I (I_p and I_N have the same length) and Q (Q_p and Q_N have the same length), f_{BB} the baseband signal frequency, λ_g the differential line wavelength at f_{BB} , C the light speed in the free space, and ϵ_e the effective dielectric constant of the coupled-microstrip line. Using Linecalc of Agilent’s ADS, ϵ_e is calculated as 2.341.

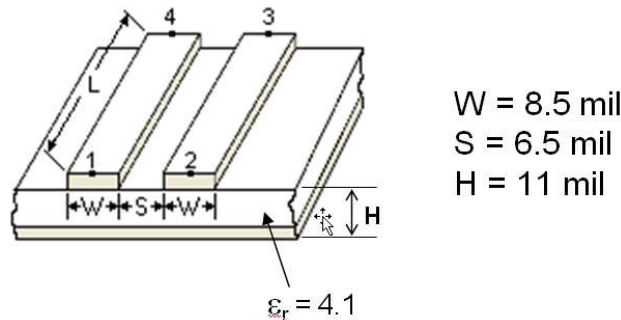
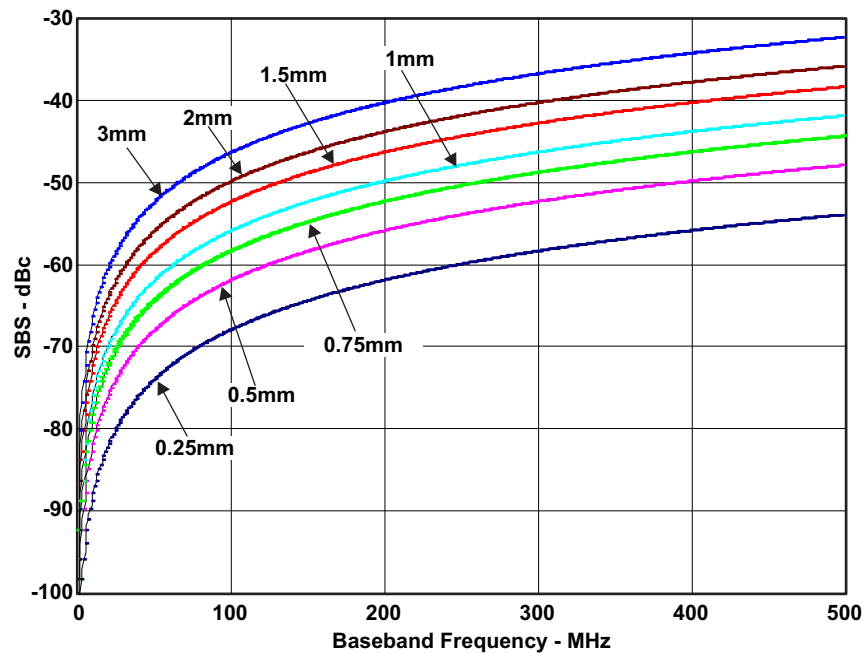


Figure 3. Coupled Microstrip Line as Differential Line for I and Q Signals

Substituting Equation 2 into Equation 1, we plot the relationship between SBS at the RF output and the baseband I/Q trace mismatch in Figure 4.



NOTE: Effective dielectric constant of 2.341 was used for the differential line in the calculation.

Figure 4. SBS vs. I/Q Trace Length Mismatch

If the unadjusted SBS at the RF modulator needs to be kept below -40 dBc for the baseband frequency at 300 MHz, the trace mismatch between I and Q paths should be less than 2 mm (78 mils).

3 Trace Mismatches between I_P and I_N and between Q_P and Q_N

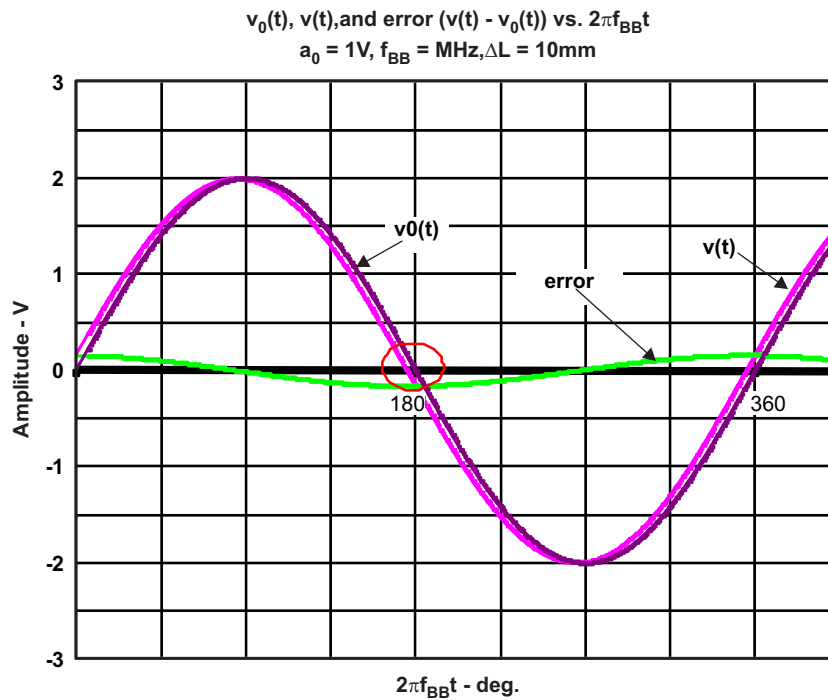
If the trace length for I_N or Q_N is ΔL longer, than the trace length for I_P or Q_N , it causes both amplitude and phase error. The ideal differential signal, $v_0(t)$, and distorted differential signal, $v(t)$ and the error, $\Delta v(t)$, could be expressed as:

$$v_0(t) = v_{P0}(t) - v_{N0}(t) = a_0 \sin(2\pi f_{BB}t) - a_0 \sin(2\pi f_{BB}t + \pi) = 2a_0 \sin(2\pi f_{BB}t) \quad (3)$$

$$\begin{aligned} v(t) &= v_{P0}(t) - v_N(t) = a_0 \sin(2\pi f_{BB}t) - a_0 \sin(2\pi f_{BB}t + \pi - \beta\Delta L) \\ &= 2a_0 \cos\left(\frac{\beta \times \Delta L}{2}\right) \sin\left(2\pi f_{BB}t + \frac{\beta\Delta L}{2}\right) \end{aligned} \quad (4)$$

$$\Delta v(t) = v(t) - v_0(t) \quad (5)$$

where $v_{P0}(t)$ and $v_{N0}(t)$ are the ideal differential signals, and $v_N(t)$ is the signal for I_N or Q_N with ΔL trace mismatch. Figure 5 shows that amplitude and phase errors are produced by the differential line trace mismatch. The phase error is the difference at the zero crossing between the ideal signal, $v_0(t)$, and the distorted signal, $v(t)$.



NOTE: Effective dielectric constant of 2.341 was used for the differential line in the calculation.

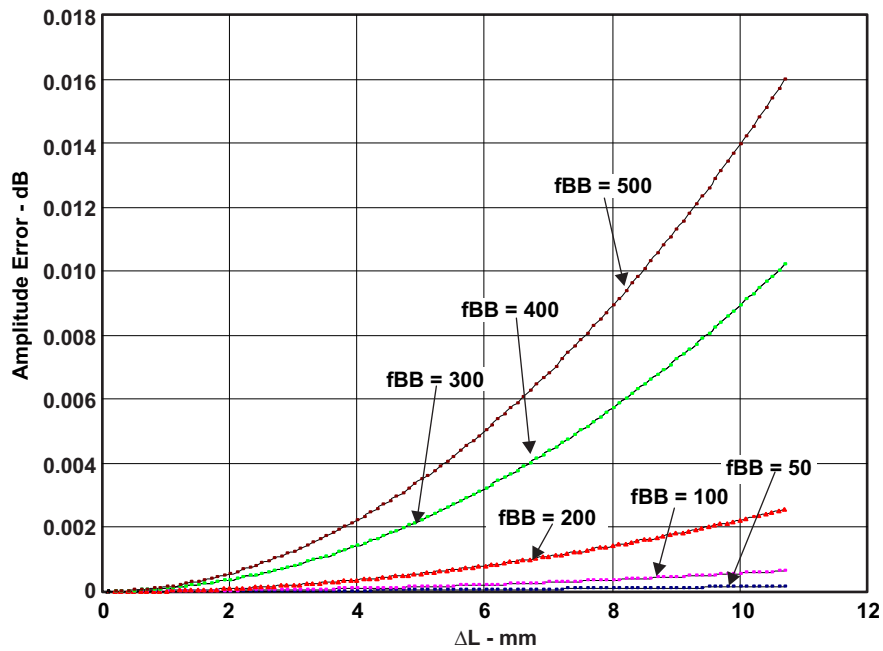
Figure 5. Amplitudes of the Ideal and Distorted Differential Signals and the Error Signal

Base on [Equation 4](#) and [Equation 5](#), the user can write the amplitude and phase errors due to the differential line trace mismatch into the following equations:

$$A = -10\log_{10}\left(\cos\left(\frac{\beta \times \Delta L}{2}\right)\right) \tag{6}$$

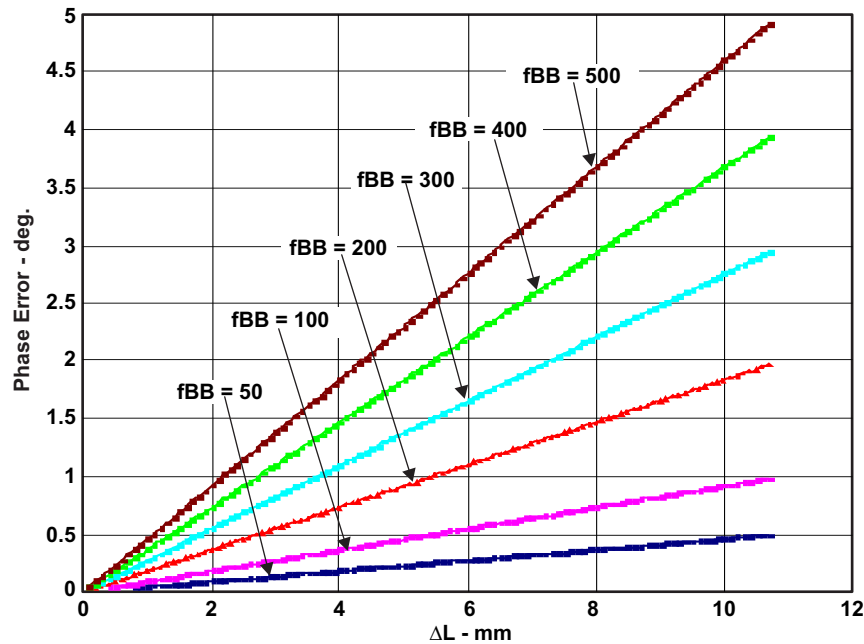
$$\theta = \frac{\beta \Delta L}{2} \tag{7}$$

[Figure 6](#) and [Figure 7](#) are the plots for amplitude and phase with different baseband Frequency. A trace mismatch of 1 mm (39 mils) at the baseband frequency of 500 MHz results in a phase error of 0.459 degree and an amplitude error of 0.00014 dB. According to [Figure 2](#), this phase error is dominant in degrading the SBS due to the differential trace mismatch. Once the amplitude and phase errors are known, one should find the SBS degradation caused by the differential trace mismatch using [Figure 2](#).



NOTE: Effective dielectric constant of 2.341 was used for the differential line in the calculation

Figure 6. Amplitude Error due to Differential Trace Mismatch at Different Baseband Frequency



NOTE: Effective dielectric constant of 2.341 was used for the differential line in the calculation

Figure 7. Phase Error due to Differential Trace Mismatch at Different Baseband Frequency

According to [Figure 2](#), if the unadjusted SBS at the RF modulator needs to be kept below -40 dBc, the I/Q phase should be less than 1.146° . This demands the difference line trace mismatch to be less than 4 mm (156 mils) for the baseband frequency at 300 MHz.

Comparing [Equation 2](#) and [Equation 7](#), the user can determine that the same trace mismatch between I and Q paths causes twice the I/Q phase error as the differential line trace mismatch does between the I_P and I_N or between Q_P and Q_N .

4 Experiment

4.1 Case 1: Trace mismatch between the differential line IP and IN

This case is to experimentally prove the results in Section 3. The setup in Figure 8 has an adaptor with 0.773° phase length at the baseband frequency 20 MHz inserted into the IP path. The measured SBS was -49.55 dBc.

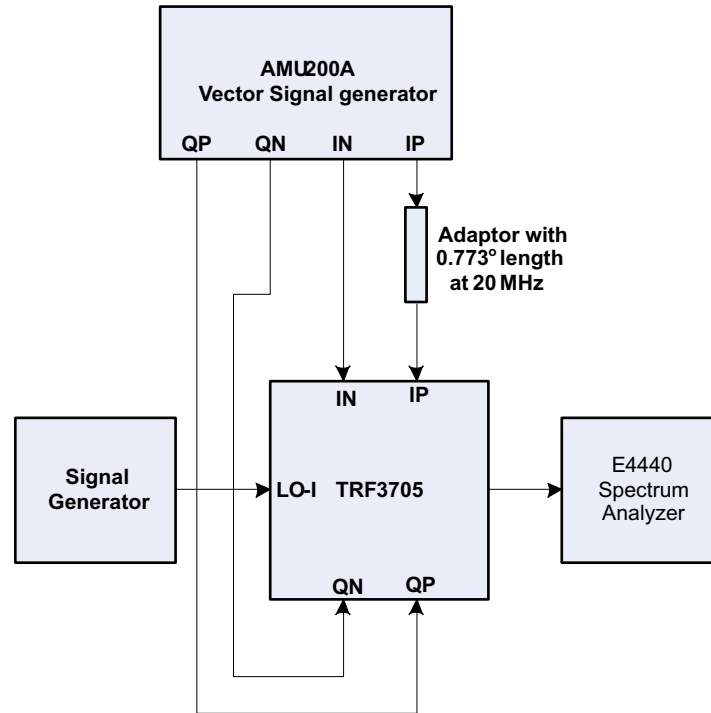


Figure 8. Set-up for Emulating Differential Line Trace Mismatch with Insertion of 0.773° Line Length in IP Path, IF Frequency = 20 MHz.

4.2 Case 2: Trace mismatch between I and Q

This case is to experimentally prove the results in Section 2. The setup in Figure 9 has an adaptor with 0.773° phase length at the baseband frequency 20 MHz inserted into both IP and IN paths. The measured SBS was -43.4 dBc, about 6 dB worse from the SBS in Case 1. This is corresponding to a phase mismatch of $0.773^\circ/2 = 0.3865^\circ$.

Note that the measured SBS of -43.4 dB is very closed to calculated -43.42 dB SBS for a phase mismatch of 0.773° .

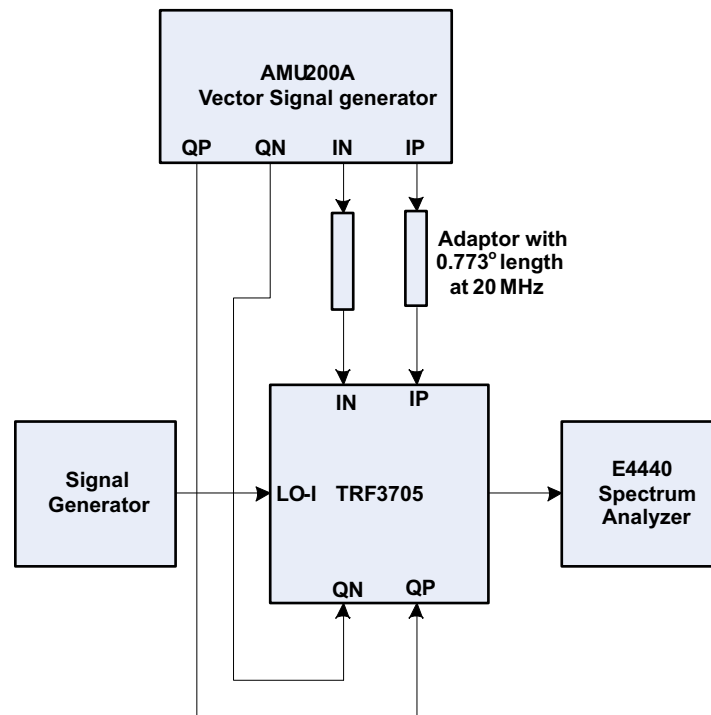


Figure 9. Set-up for Emulating I/Q Trace Mismatch with Insertion of 0.773° Line Length in IP and IN Paths, IF Frequency = 20 MHz

5 Conclusion

This work investigated effects of I/Q trace mismatches to the amplitude and phase errors and to the RF modulator SBS. The results provides the trace mismatch tolerance for designing the interface between DAC and RF modulator and in the PCB layout in order to meet the modulation SBS specification. Multiple graphics provided these relationships for easy reference. Below are a few highlights:

- The trace mismatch between I and Q paths causes only the I/Q phase error.
- The trace mismatch between the differential line I_p and I_N or between Q_p and Q_N , caused both amplitude and phase errors, but the phase error is dominant in degrading the SBS performance in RF modulation.
- The same trace mismatch between I and Q paths causes twice the I/Q phase error as the differential line trace mismatch does between I_p and I_N or between Q_p and Q_N .

IMPORTANT NOTICE

Texas Instruments Incorporated and its subsidiaries (TI) reserve the right to make corrections, enhancements, improvements and other changes to its semiconductor products and services per JESD46, latest issue, and to discontinue any product or service per JESD48, latest issue. Buyers should obtain the latest relevant information before placing orders and should verify that such information is current and complete. All semiconductor products (also referred to herein as "components") are sold subject to TI's terms and conditions of sale supplied at the time of order acknowledgment.

TI warrants performance of its components to the specifications applicable at the time of sale, in accordance with the warranty in TI's terms and conditions of sale of semiconductor products. Testing and other quality control techniques are used to the extent TI deems necessary to support this warranty. Except where mandated by applicable law, testing of all parameters of each component is not necessarily performed.

TI assumes no liability for applications assistance or the design of Buyers' products. Buyers are responsible for their products and applications using TI components. To minimize the risks associated with Buyers' products and applications, Buyers should provide adequate design and operating safeguards.

TI does not warrant or represent that any license, either express or implied, is granted under any patent right, copyright, mask work right, or other intellectual property right relating to any combination, machine, or process in which TI components or services are used. Information published by TI regarding third-party products or services does not constitute a license to use such products or services or a warranty or endorsement thereof. Use of such information may require a license from a third party under the patents or other intellectual property of the third party, or a license from TI under the patents or other intellectual property of TI.

Reproduction of significant portions of TI information in TI data books or data sheets is permissible only if reproduction is without alteration and is accompanied by all associated warranties, conditions, limitations, and notices. TI is not responsible or liable for such altered documentation. Information of third parties may be subject to additional restrictions.

Resale of TI components or services with statements different from or beyond the parameters stated by TI for that component or service voids all express and any implied warranties for the associated TI component or service and is an unfair and deceptive business practice. TI is not responsible or liable for any such statements.

Buyer acknowledges and agrees that it is solely responsible for compliance with all legal, regulatory and safety-related requirements concerning its products, and any use of TI components in its applications, notwithstanding any applications-related information or support that may be provided by TI. Buyer represents and agrees that it has all the necessary expertise to create and implement safeguards which anticipate dangerous consequences of failures, monitor failures and their consequences, lessen the likelihood of failures that might cause harm and take appropriate remedial actions. Buyer will fully indemnify TI and its representatives against any damages arising out of the use of any TI components in safety-critical applications.

In some cases, TI components may be promoted specifically to facilitate safety-related applications. With such components, TI's goal is to help enable customers to design and create their own end-product solutions that meet applicable functional safety standards and requirements. Nonetheless, such components are subject to these terms.

No TI components are authorized for use in FDA Class III (or similar life-critical medical equipment) unless authorized officers of the parties have executed a special agreement specifically governing such use.

Only those TI components which TI has specifically designated as military grade or "enhanced plastic" are designed and intended for use in military/aerospace applications or environments. Buyer acknowledges and agrees that any military or aerospace use of TI components which have **not** been so designated is solely at the Buyer's risk, and that Buyer is solely responsible for compliance with all legal and regulatory requirements in connection with such use.

TI has specifically designated certain components which meet ISO/TS16949 requirements, mainly for automotive use. Components which have not been so designated are neither designed nor intended for automotive use; and TI will not be responsible for any failure of such components to meet such requirements.

Products

Audio	www.ti.com/audio
Amplifiers	amplifier.ti.com
Data Converters	dataconverter.ti.com
DLP® Products	www.dlp.com
DSP	dsp.ti.com
Clocks and Timers	www.ti.com/clocks
Interface	interface.ti.com
Logic	logic.ti.com
Power Mgmt	power.ti.com
Microcontrollers	microcontroller.ti.com
RFID	www.ti-rfid.com
OMAP Applications Processors	www.ti.com/omap
Wireless Connectivity	www.ti.com/wirelessconnectivity

Applications

Automotive and Transportation	www.ti.com/automotive
Communications and Telecom	www.ti.com/communications
Computers and Peripherals	www.ti.com/computers
Consumer Electronics	www.ti.com/consumer-apps
Energy and Lighting	www.ti.com/energy
Industrial	www.ti.com/industrial
Medical	www.ti.com/medical
Security	www.ti.com/security
Space, Avionics and Defense	www.ti.com/space-avionics-defense
Video and Imaging	www.ti.com/video

TI E2E Community

e2e.ti.com