

# ***Driving Large LCDs With LCD Peripheral of the MSP430***

*Murugavel Raju**MSP430*

## **ABSTRACT**

The 4xx family of MSP430™ devices has two different types of integrated LCD drivers, namely the LCD controller and the LCD\_A controller.

The 6xx family of MSP430 devices also has two different types of integrated LCD drivers, namely the LCD\_B controller and the LCD\_C controller.

This application report focuses on the LCD controller, but the principles shown here apply to all versions.

The LCD controller is designed to support various LCD glasses such as Static, 2-Mux, 3-Mux and 4-Mux. The analog drive circuit in the LCD controller supports generation of 1/2 bias and 1/3 bias waveforms for driving two, three, and four backplane multiplexed LCD glasses. The bias voltages are derived directly from external high resistance potential dividers and switched to the appropriate segments by the internal analog switches in the LCD controller. This scheme works well with small LCD segment sizes commonly used in portable instrumentation. However it gets tricky when driving multiplexed LCD glasses with a digit size greater than approximately 0.75 inch. This application report shows how to drive such large LCD segments with the desired drive levels.

---

## **Contents**

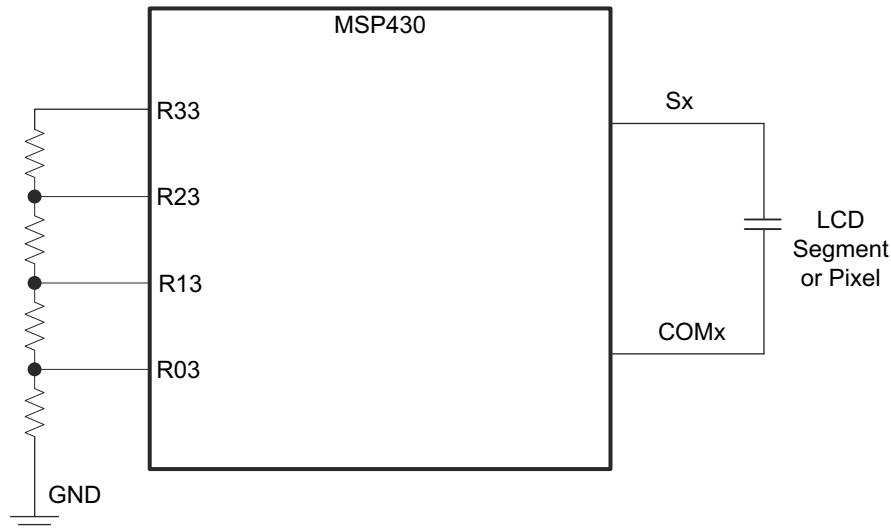
1	Example MSP430 LCD Drive Circuit .....	2
2	Methods of Improving LCD Contrast for Large Glasses .....	3
3	References .....	4

## **List of Figures**

1	Electrical Model for an LCD Segment Connected to MSP430.....	2
2	Using Capacitors to Reduce Ripple on the Nodes .....	3
3	Using Opamps to Buffer Node Voltages .....	4

## 1 Example MSP430 LCD Drive Circuit

LCD glasses require an ac voltage to polarize the liquid media in the glass to provide a segment on or off effect. The LCD controller in the MSP430 generates this ac voltage in conjunction with LCD drive frequency ( $f_{LCD}$ ) generated by the basic timer in the device. The generated ac voltages are switched to the segment lines by analog switches, and the backplane is driven by the common lines. The LCD segments connected between a segment line and the common can be modeled as a capacitive load to the ac drive as shown in [Figure 1](#). In this example, a 1/3 bias LCD glass is shown.



**Figure 1. Electrical Model for an LCD Segment Connected to MSP430**

For detailed description of the LCD controller, refer to [References](#) [1] and [2].

The LCD segment is driven by a square wave generated by the driver. The frequency of the square wave is programmable by the user and must be selected to match the LCD glass specifications. Usually it is 60 Hz to 100 Hz. The frequency of the drive waveform affects the current consumption because of the capacitance charge and discharge current flowing through the equivalent capacitance of the segments. The RMS current flow is given by  $V \times C \times 2\pi f$ , where  $C$  is the capacitance of the LCD segment,  $V$  is the RMS drive voltage across the segment, and  $f$  is the frequency. To achieve lowest current operation, it is important to keep the LCD drive frequency close to the minimum recommended frequency of the LCD glass.

[Figure 1](#) shows a simple resistance-based potential divider that is used for generation of the bias voltages that are required for the LCD drive. The values of these resistors depend on the LCD segment size and the drive frequency. The values of these resistors can be calculated if the equivalent LCD segment capacitance, drive voltage amplitude, and the frequency are known.

The charging of the segment capacitance is exponential and the time taken for the segment capacitance to charge to a voltage level close to the drive voltage amplitude will take about  $5\tau$ , where  $\tau$  is the time constant determined by the RC,  $R$  being the value of the resistance in the bias voltage generation network. Because the  $R$  ladder is connected between  $V_{CC}$  and GND, there is a continuous current leaking through the network that adds to current consumed by the LCD driver. Increasing the resistor values not only reduces the current consumption but also reduces the LCD contrast, because the RC time constant becomes larger and the segment capacitance charge never reaches close enough to the maximum voltage. This results in a trade off between best LCD contrast and the current budget that is allocated in a battery-based application. In typical hand-held battery-based applications, 680-k $\Omega$  resistors offer good contrast and low current consumption for small LCD glasses.

The LCD driver also offers contrast control to manage the drive level for optimal contrast of the LCD glass. Contrast control is done by the resistor connected between R03 and GND. The voltage at the R03 node is the virtual reference voltage from which the effective LCD drive voltage is measured. Increasing the R03 value reduces the effective drive voltage, thereby reducing the LCD contrast. The voltage at this node can also be controlled by stepped voltage levels derived from an on-chip DAC, PWM DAC, or R-2R type DAC

involving two or three general-purpose I/O pins. Additionally, the ambient temperature can be measured by using either the on-chip temperature sensor or an external thermistor to adjust contrast automatically according to the ambient temperature. It is important that the LCD glass drive voltage specification must be slightly lower than  $V_{CC}$  to achieve contrast control. In most cases, the LCD contrast can be set at the maximum with a 0- $\Omega$  jumper connected from R03 to GND.

The R33 node is internally switched to  $V_{CC}$  of the device. The R23 and R13 nodes are derived from the resistor-based potential dividers. When large resistor values are used with larger segment size displays, the R23 and R13 nodes tend to have increased voltage ripple, because of overloading by the larger segment capacitance. Too large a ripple manifests as poor contrast or undesirable LCD segment ghosting. Section 2 shows how this effect can be minimized to achieve improved contrast for large LCD glasses. It is also mandatory to have tight-tolerance potential divider resistors for the node voltages to be symmetrically divided. Any large deviation in the symmetry could also result in poor contrast or ghosting.

## 2 Methods of Improving LCD Contrast for Large Glasses

A simple approach to minimize the ripple on the R23 and R13 nodes is to provide capacitors between the node and GND as shown in Figure 2. Capacitor values of 1  $\mu\text{F}$  to 10  $\mu\text{F}$  can be considered. Sometimes it may also be required to reduce the values of the resistors in the resistor ladder. It is possible that some large glasses may require resistors as low as 33 k $\Omega$ . This reduced resistance results in higher current consumption.

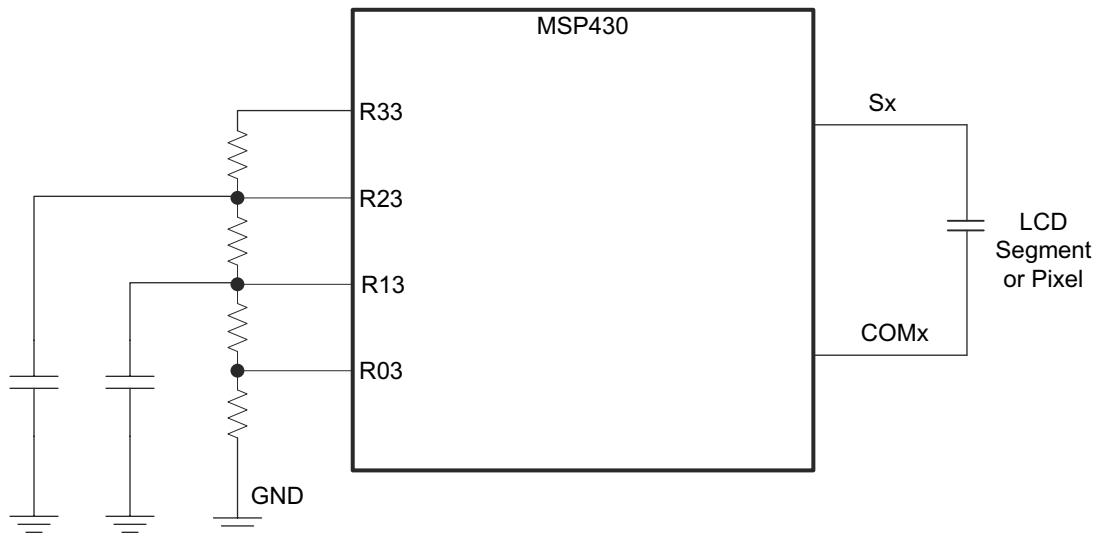
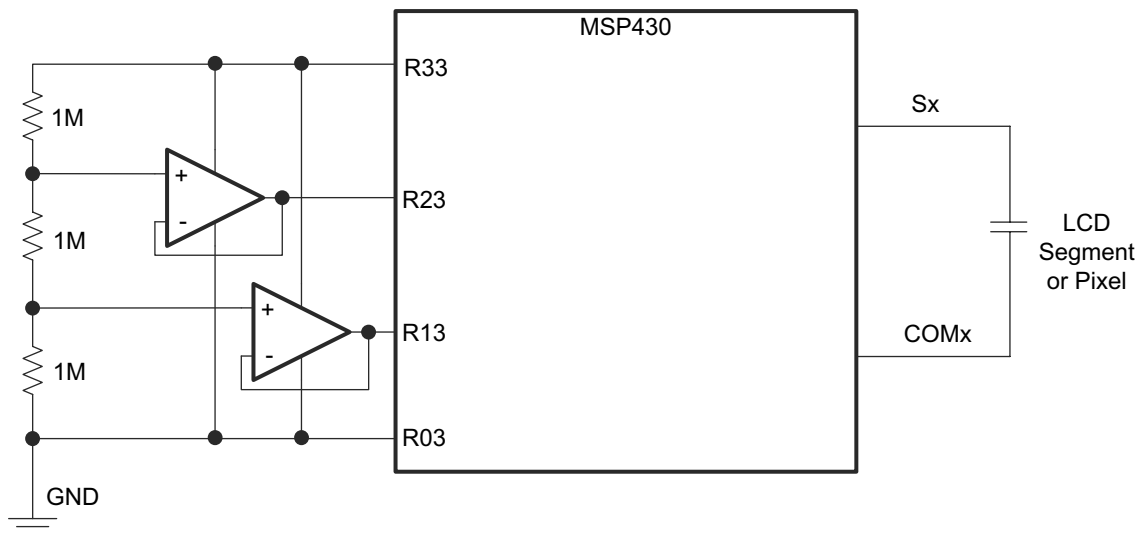


Figure 2. Using Capacitors to Reduce Ripple on the Nodes

A better approach would be to use low-current opamps as buffers at the nodes. This approach provides a very stable node voltage and offers a dramatic improvement in the contrast of the large size LCD segments that have high capacitances. The trade off is slightly increased current consumption. Figure 3 shows a circuit that uses two opamps.



**Figure 3. Using Opamps to Buffer Node Voltages**

A dual opamp such as TLV2242 or TLV2402 with approximately 1- $\mu$ A quiescent current can be used in this scheme. The circuit shown in [Figure 3](#) does not support contrast control. In most cases, contrast control may not be required as large LCD segments must be driven with maximum amplitude. If contrast control is required, a third opamp may be used to buffer the voltage at node R03 instead of connecting it directly to GND.

### 3 References

1. *MSP430x4xx Family User's Guide* ([SLAU056](#))
2. *MSP430x5xx and MSP430x6xx Family User's Guide* ([SLAU208](#))
2. TLV2242 data sheet ([SLOS329](#))
3. TLV2402 data sheet ([SLOS244](#))

## IMPORTANT NOTICE

Texas Instruments Incorporated and its subsidiaries (TI) reserve the right to make corrections, enhancements, improvements and other changes to its semiconductor products and services per JESD46, latest issue, and to discontinue any product or service per JESD48, latest issue. Buyers should obtain the latest relevant information before placing orders and should verify that such information is current and complete. All semiconductor products (also referred to herein as "components") are sold subject to TI's terms and conditions of sale supplied at the time of order acknowledgment.

TI warrants performance of its components to the specifications applicable at the time of sale, in accordance with the warranty in TI's terms and conditions of sale of semiconductor products. Testing and other quality control techniques are used to the extent TI deems necessary to support this warranty. Except where mandated by applicable law, testing of all parameters of each component is not necessarily performed.

TI assumes no liability for applications assistance or the design of Buyers' products. Buyers are responsible for their products and applications using TI components. To minimize the risks associated with Buyers' products and applications, Buyers should provide adequate design and operating safeguards.

TI does not warrant or represent that any license, either express or implied, is granted under any patent right, copyright, mask work right, or other intellectual property right relating to any combination, machine, or process in which TI components or services are used. Information published by TI regarding third-party products or services does not constitute a license to use such products or services or a warranty or endorsement thereof. Use of such information may require a license from a third party under the patents or other intellectual property of the third party, or a license from TI under the patents or other intellectual property of TI.

Reproduction of significant portions of TI information in TI data books or data sheets is permissible only if reproduction is without alteration and is accompanied by all associated warranties, conditions, limitations, and notices. TI is not responsible or liable for such altered documentation. Information of third parties may be subject to additional restrictions.

Resale of TI components or services with statements different from or beyond the parameters stated by TI for that component or service voids all express and any implied warranties for the associated TI component or service and is an unfair and deceptive business practice. TI is not responsible or liable for any such statements.

Buyer acknowledges and agrees that it is solely responsible for compliance with all legal, regulatory and safety-related requirements concerning its products, and any use of TI components in its applications, notwithstanding any applications-related information or support that may be provided by TI. Buyer represents and agrees that it has all the necessary expertise to create and implement safeguards which anticipate dangerous consequences of failures, monitor failures and their consequences, lessen the likelihood of failures that might cause harm and take appropriate remedial actions. Buyer will fully indemnify TI and its representatives against any damages arising out of the use of any TI components in safety-critical applications.

In some cases, TI components may be promoted specifically to facilitate safety-related applications. With such components, TI's goal is to help enable customers to design and create their own end-product solutions that meet applicable functional safety standards and requirements. Nonetheless, such components are subject to these terms.

No TI components are authorized for use in FDA Class III (or similar life-critical medical equipment) unless authorized officers of the parties have executed a special agreement specifically governing such use.

Only those TI components which TI has specifically designated as military grade or "enhanced plastic" are designed and intended for use in military/aerospace applications or environments. Buyer acknowledges and agrees that any military or aerospace use of TI components which have **not** been so designated is solely at the Buyer's risk, and that Buyer is solely responsible for compliance with all legal and regulatory requirements in connection with such use.

TI has specifically designated certain components as meeting ISO/TS16949 requirements, mainly for automotive use. In any case of use of non-designated products, TI will not be responsible for any failure to meet ISO/TS16949.

### Products

Audio	<a href="http://www.ti.com/audio">www.ti.com/audio</a>
Amplifiers	<a href="http://amplifier.ti.com">amplifier.ti.com</a>
Data Converters	<a href="http://dataconverter.ti.com">dataconverter.ti.com</a>
DLP® Products	<a href="http://www.dlp.com">www.dlp.com</a>
DSP	<a href="http://dsp.ti.com">dsp.ti.com</a>
Clocks and Timers	<a href="http://www.ti.com/clocks">www.ti.com/clocks</a>
Interface	<a href="http://interface.ti.com">interface.ti.com</a>
Logic	<a href="http://logic.ti.com">logic.ti.com</a>
Power Mgmt	<a href="http://power.ti.com">power.ti.com</a>
Microcontrollers	<a href="http://microcontroller.ti.com">microcontroller.ti.com</a>
RFID	<a href="http://www.ti-rfid.com">www.ti-rfid.com</a>
OMAP Applications Processors	<a href="http://www.ti.com/omap">www.ti.com/omap</a>
Wireless Connectivity	<a href="http://www.ti.com/wirelessconnectivity">www.ti.com/wirelessconnectivity</a>

### Applications

Automotive and Transportation	<a href="http://www.ti.com/automotive">www.ti.com/automotive</a>
Communications and Telecom	<a href="http://www.ti.com/communications">www.ti.com/communications</a>
Computers and Peripherals	<a href="http://www.ti.com/computers">www.ti.com/computers</a>
Consumer Electronics	<a href="http://www.ti.com/consumer-apps">www.ti.com/consumer-apps</a>
Energy and Lighting	<a href="http://www.ti.com/energy">www.ti.com/energy</a>
Industrial	<a href="http://www.ti.com/industrial">www.ti.com/industrial</a>
Medical	<a href="http://www.ti.com/medical">www.ti.com/medical</a>
Security	<a href="http://www.ti.com/security">www.ti.com/security</a>
Space, Avionics and Defense	<a href="http://www.ti.com/space-avionics-defense">www.ti.com/space-avionics-defense</a>
Video and Imaging	<a href="http://www.ti.com/video">www.ti.com/video</a>

### TI E2E Community

[e2e.ti.com](http://e2e.ti.com)