

## **ADS7845EVM and ADS7845EVM-PDK**

This user's guide describes the characteristics, operation, and use of the ADS7845EVM, both by itself and as part of the ADS7845EVM-PDK. This device is a 5-wire touch screen controller evaluation module (EVM) which also has an auxiliary input measurement capability. A complete circuit description, schematic diagram, and bill of materials are included.

The following related documents are available through the Texas Instruments web site at [www.ti.com](http://www.ti.com).

### **EVM-Compatible Device Data Sheets**

<b>Device</b>	<b>Literature Number</b>
ADS7845	<a href="#">SBAS104</a>
REF3125	<a href="#">SBVS046</a>
TAS1020B	<a href="#">SLES025</a>
REG1117-5	<a href="#">SBVS001</a>
TPS767D318	<a href="#">SLVS209</a>
SN74LVC125A	<a href="#">SCAS290</a>
SN74LVC1G125	<a href="#">SCES223</a>
SN74LVC1G07	<a href="#">SCES296</a>

### **Contents**

1	EVM Overview .....	2
2	Analog Interface.....	2
3	Digital Interface .....	3
4	Power Supplies .....	3
5	EVM Operation.....	5
6	Kit Operation .....	5
7	EVM Bill of Materials and Schematic .....	10

### **List of Figures**

1	ADS7845EVM-PDK Block Diagram .....	6
2	Default Software Screen .....	8

### **List of Tables**

1	Analog Interface Pinout .....	2
2	Digital Interface Pinout .....	3
3	Power Supply Pinout .....	3
4	List of Jumpers.....	5
5	ADS7845EVM Bill of Materials .....	10
6	USB-MODEVM Bill of Materials .....	11

## 1 EVM Overview

### 1.1 Features

- Full-featured evaluation board for the ADS7845 5-wire, resistive touch screen controller (TSC)
- Modular design for use with a variety of DSP and microcontroller interface boards

The ADS7845EVM-PDK is a complete evaluation kit, which includes a USB-based motherboard and evaluation software for use with a personal computer running Microsoft Windows™ operating systems (Windows 2000 or higher).

### 1.2 Introduction

The ADS7845EVM is in Texas Instruments' modular EVM form factor, which allows direct evaluation of the ADS7845 performance and operating characteristics, and eases software development and system prototyping. This EVM is compatible with the 5-6K Interface Board ([SLAU104](#)) and the HPA-MCU Interface Board ([SLAU106](#)) from Texas Instruments and additional third-party boards such as the HPA449 demonstration board from SoftBaugh, Inc. ([www.softbaugh.com](http://www.softbaugh.com)).

The ADS7845EVM-PDK is a complete evaluation/demonstration kit, which includes a USB-based motherboard called the **USB-MODEVM Interface Board** and evaluation software for use with a personal computer running Microsoft Windows operating systems.

## 2 Analog Interface

For maximum flexibility, the ADS7845EVM is designed for easy interfacing to multiple analog sources. Samtec part numbers SSW-110-22-F-D-VS-K and TSM-110-01-T-DV-P provide a convenient 10-pin, dual-row, header/socket combination at J1. This header/socket provides access to the analog input pins of the TSC. Consult Samtec at [www.samtec.com](http://www.samtec.com) or call 1-800-SAMTEC-9 for a variety of mating connector options.

**Table 1. Analog Interface Pinout**

Pin Number	Signal	Description
J1.2	UL	Touch screen Upper Left (UL) electrode
J1.4	LL	Touch screen Lower Left (LL) electrode
J1.6	UR	Touch screen Upper Right (UR) electrode
J1.8	LR	Touch screen Lower Right (LR) electrode
J1.10	WIPER	Touch screen Wiper electrode
J1.12	AUXIN	Auxiliary input, 0V to VREF
J1.14	Unused	
J1.16	Unused	
J1.18	REF(-)	Tied to analog ground
J1.20	REF(+)	External reference source input (2.5V NOM)
J1.15	Unused	
J1.11-J1.19 (odd)	AGND	Analog ground connections (except J1.15)

Microsoft Windows is a trademark of Microsoft Corporation.  
 SPI is a trademark of Motorola, Inc.  
 NI-VISA is a trademark of National Instruments.  
 I<sup>2</sup>C, I<sup>2</sup>S are trademarks of Royal Philips Electronics B.V., The Netherlands.  
 WinZip is a trademark of WinZip Computing, Inc..  
 All trademarks are the property of their respective owners.

### 3 Digital Interface

The ADS7845EVM is designed to easily interface with multiple control platforms. Samtec part numbers SSW-110-22-F-D-VS-K and TSM-110-01-T-DV-P provide a convenient 10-pin, dual-row, header/socket combination at J2. This header/socket provides access to the digital control and serial data pins of the TSC. Consult Samtec at [www.samtec.com](http://www.samtec.com) or call 1-800-SAMTEC-9 for a variety of mating connector options.

**Table 2. Digital Interface Pinout**

Pin Number	Signal	Description
J2.1	Unused	
J2.2	BUSY	TSC busy flag
J2.3	SCLK	Serial clock
J2.4	DGND	Digital ground
J2.5	SCLKR	Serial clock return (for DSP host systems)
J2.6	Unused	
J2.7	$\overline{SS}$	Slave select - Active low signal, enables data transfer. Frame sync on DSP host systems.
J2.8	Unused	
J2.9	FSR	Frame sync return (for DSP host systems)
J2.10	DGND	Digital ground
J2.11	MOSI	Serial data input to TSC from host
J2.12	Unused	
J2.13	MISO	Serial data output from TSC to host
J2.14	Unused	
J2.15	$\overline{PENIRQ}$	Pen interrupt output from TSC
J2.16	SCL	I <sup>2</sup> C bus serial clock
J2.17	Unused	
J2.18	DGND	Digital ground
J2.19	Unused	
J2.20	SDA	I <sup>2</sup> C bus data line

### 4 Power Supplies

J3 provides connection to the common power bus for the ADS7845EVM. Power is supplied on the pins listed in [Table 3](#).

**Table 3. Power Supply Pinout**

Signal	Pin Number		Signal
Unused	1	2	Unused
+5VA	3	4	Unused
DGND	5	6	AGND
Unused	7	8	+VD1
+3.3VD	9	10	Unused

When power is supplied to J3, JMP4 allows for one of three different DC voltages to be used as the power supply of the ADS7845. See the schematic and printed circuit board silkscreen for details.

The ADS7845EVM-PDK motherboard (the USB-MODEVM Interface Board) supplies power to J3 of the ADS7845EVM. Power for the motherboard is supplied either through its USB connection or on terminal blocks on the board.

#### 4.1 TSC Power

Power for the ADS7845 VCC can be supplied either from +5V or from +3.3V. JMP4 selects which of these voltages is routed to the ADS7845. When JMP4 is in the default factory condition (shunt on pins 5-6), power to the TSC comes from J3.3 (+5VA). When the shunt is installed on JMP4 pins 3-4, power comes from J3.9 (+3.3VD). A third supply option is to place a shunt on JMP4 pins 1-2, and supply a voltage from J3.8 (VD1), which must be within the specified operating range of the ADS7845.

#### 4.2 Stand-Alone Operation

When used as a stand-alone EVM, the analog power can be applied to TP1, referenced to TP2.

**CAUTION**  
**Verify that all power supplies are within the safe operating limits shown on the ADS7845 data sheet before applying power to the EVM.**

#### 4.3 USB-MODEVM Interface Power

The USB-MODEVM Interface Board can be powered from several different sources:

- USB
- 6VDC-10VDC AC/DC wall supply (not included)
- Laboratory power supply

When powered from the USB connection, JMP6 should have a shunt from pins 1-2 (this is the default factory configuration). When powered from 6V-10VDC, either through the J8 terminal block or J9 barrel jack, JMP6 should have a shunt installed on pins 2-3. If power is applied in any of these ways, onboard regulators generate the required supply voltages and no further power supplies are necessary.

If laboratory supplies are used to provide the individual voltages required by the USB-MODEVM Interface Board, JMP6 should have no shunt installed. Voltages are then applied to J2 (+5VA), J3 (+5VD), J4 (+1.8VD), and J5 (+3.3VD). The +1.8VD and +3.3VD can also be generated on the board by the onboard regulators from the +5VD supply; to enable this option, the SW1 switches need to be set in the ON position (lower position, looking at the board with text reading right-side up) to enable the regulators. If +1.8VD and +3.3VD are supplied externally, disable the onboard regulators by placing the SW1 switches in the OFF position.

Each power-supply voltage has an LED (D1-D7) that lights when the power supplies are active.

#### 4.4 Reference Voltage

The ADS7845 requires a voltage reference. An external reference may be supplied through J1 pin 20 on the ADS7845EVM, referenced to analog ground (J1 pin 18 on the ADS7845EVM). JMP1 must be installed across positions 5-6 in order to route this external reference voltage to the ADS7845.

**CAUTION**  
**Verify that the external reference voltage is within the safe operating limits shown on the ADS7845 data sheet before applying power to the EVM.**

A 2.5V reference is supplied on the ADS7845EVM, and can be selected for use by connecting JMP1 pins 3-4. Alternatively, the supply voltage can be used as the voltage reference by connecting pins 1-2 on JMP1.

## 5 EVM Operation

The following section provides information on the analog input, digital control, and general operating conditions of the ADS7845EVM.

### 5.1 Analog Input

The analog input sources (touch screen and auxiliary input) can be applied directly to J1 (top side or bottom side) or through signal-conditioning modules available for the modular EVM system.

### 5.2 Digital Control

The digital control signals can be applied directly to J2 (top side or bottom side). The modular ADS7845EVM can also be connected directly to a DSP or microcontroller interface board, such as the HPA449, or to the USB-MODEVM Interface Board if purchased as part of the ADS7845EVM-PDK. For a current list of compatible interface and/or accessory boards for the EVM or the ADS7845, see the relevant product folder on the [TI web site](#).

### 5.3 Default Jumper Locations

Table 4 provides a list of jumpers found on the EVM and the factory default conditions for each one.

**Table 4. List of Jumpers**

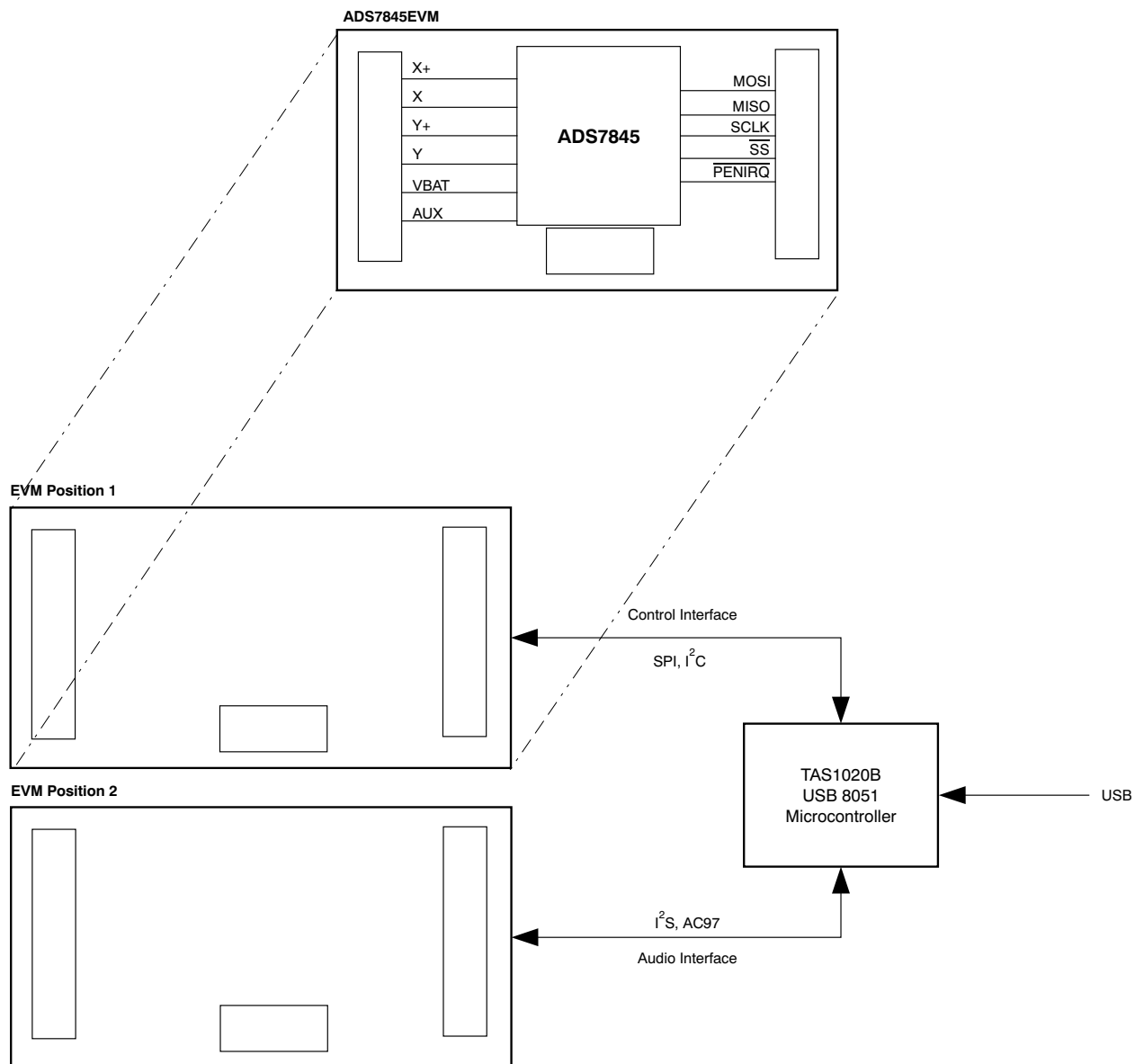
Jumper	Shunt Position	Jumper Description
JMP1	3-4	Selects reference voltage source to ADS7845. 1-2 selects VCC, 3-4 selects the onboard 2.5V reference, and 5-6 selects the external reference voltage from J1.20.
JMP2	CLOSED	Connects analog ground (AGND) to digital ground (DGND). Default is connected.
JMP3	CLOSED	EEPROM Address Select - when installed and used with the USB-MODEVM, firmware for the motherboard is executed from the EEPROM on board the ADS7845EVM. This is the default mode.
JMP4	5-6	Analog Power Select (default is +5VA)

## 6 Kit Operation

The following section provides information on using the ADS7845EVM-PDK, including setup, program installation, and program usage.

### 6.1 ADS7845EVM-PDK Block Diagram

A block diagram of the ADS7845EVM-PDK is shown in [Figure 1](#). The evaluation kit consists of two circuit boards connected together. The motherboard is designated as the USB-MODEVM Interface Board, while the daughtercard is the ADS7845EVM described previously in this manual.



**Figure 1. ADS7845EVM-PDK Block Diagram**

The USB-MODEVM Interface Board is intended to be used in USB mode, where control of the installed EVM is accomplished using the onboard USB controller device. Provision is made, however, for driving all the data buses (I<sup>2</sup>C™, SPI™, I<sup>2</sup>S™/AC97) externally. The source of these signals is controlled by SW2 on the USB-MODEVM.

---

## 6.2 Quick Start

Ensure that the ADS7845EVM is installed on the USB-MODEVM Interface Board. The ADS7845EVM should be installed in the topmost position, using J11, J12, and J13 on the USB-MODEVM.

Place the CD-ROM into your PC CD-ROM drive. Locate the **Setup** program on the disk and execute it. The Setup program installs the ADS7845 evaluation software on your PC. Follow the instructions and prompts given.

After the main program is installed, a dialog box appears with instructions for installing NI-VISA 3.2 Runtime, a self-extracting archive. Click *OK* to proceed. A WinZip™ dialog appears. Click *Unzip*, and the archive extracts itself and automatically runs the NI-VISA™ 3.2 Runtime installer.

Follow the instructions in the NI-VISA 3.1 Runtime Installer. When prompted for which features to install, do the following:

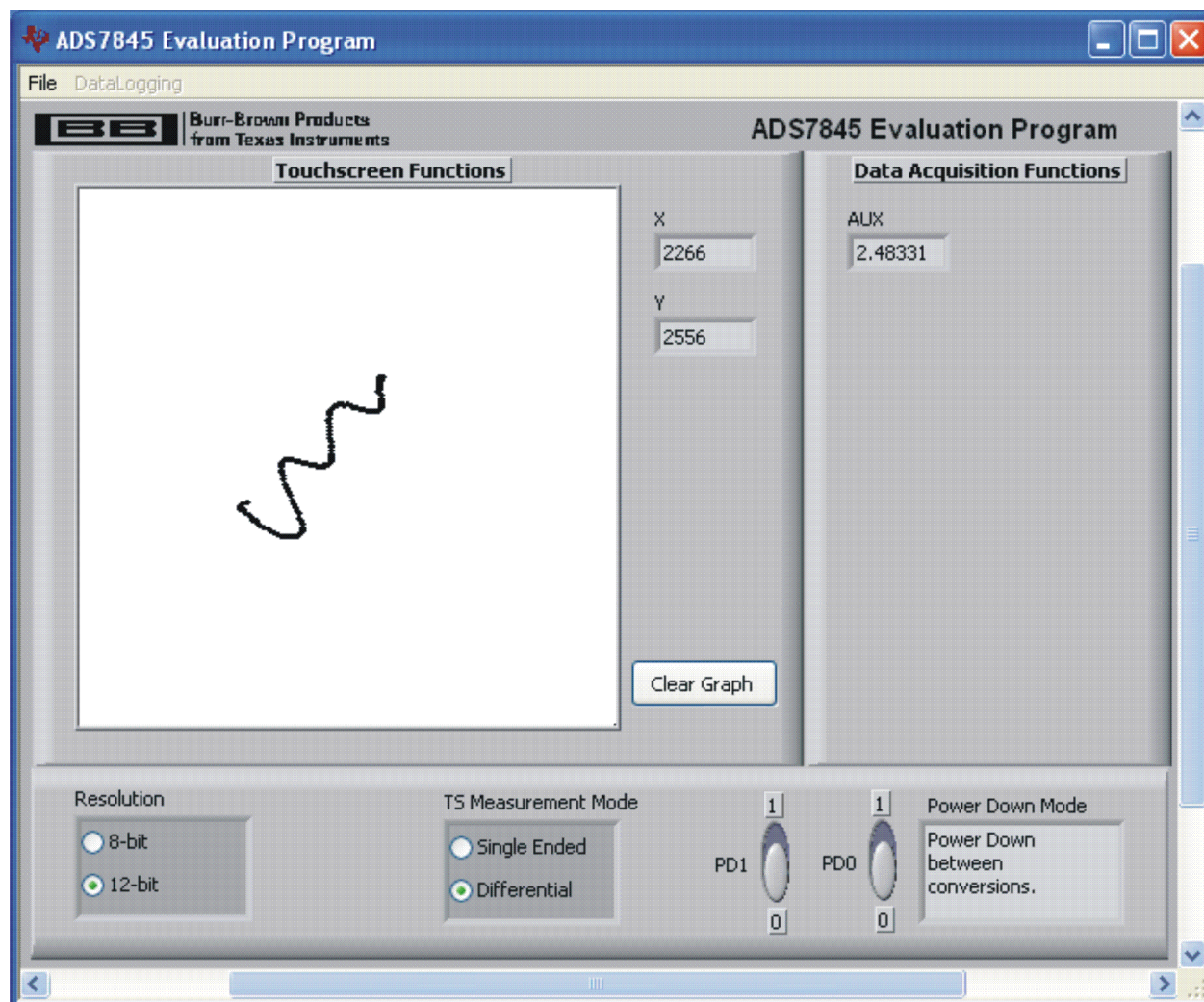
1. Click on the disk icon next to NI-VISA 3.2
2. Select, **Do not install this feature.**
3. Click on the disk icon next to *USB*.
4. Select the option which installs this feature.
5. Click *Next*.

Accept the license agreement, and continue the installation.

When the installation completes, click *Finish* on the ADS7845EVM installer window. You may be prompted to restart your computer.

When installation is complete, attach a USB cable from your PC to the USB-MODEVM Interface Board. As configured at the factory, the board will be powered from the USB interface, so the power indicator LEDs on the USB-MODEVM should light. Once this occurs, launch the ADS7845 evaluation software on your PC.

The software should automatically find the ADS7845EVM, and a screen similar to the one in [Figure 2](#) should appear.



**Figure 2. Default Software Screen**

In order to use the touch screen features, a 5-wire, resistive touch screen must be connected to J1 of the ADS7845EVM, as described previously.

### 6.3 USB-MODEVM Interface Board

The simple diagram shown in [Section 6.1](#) shows only the basic features of the USB-MODEVM Interface Board. The board is designed for a TAS1020B streaming audio USB controller with an 8051-based core. It features two positions for modular EVMs, or one double-wide serial modular EVM may be installed.

For use with the ADS7845, the ADS7845EVM is installed in the topmost EVM slot, which connects the ADS7845 digital control interface to the SPI port, realized using the TAS1020B. Because the ADS7845 has no audio features, the lower EVM slot (which is connected to the TAS1020B digital audio interface) is not used.



---

As configured from the factory, the board is ready to use with the ADS7845EVM. However, if external SPI control is desired, the signals may be applied to J15, as long as the SW2 is set so that USB SPI control is disabled. To view all the functions and configuration options available on this board, see the USB-MODEVM Interface Board schematic in [Section 7.2](#).

## 6.4 Program Description

After the ADS7845EVM-PDK software installation (described in [Section 6.2](#)), evaluation and development with the ADS7845 can begin.

### 6.4.1 Touch Screen Functions Panel

The touch screen box in this panel is updated when a touch is detected on the touch screen. As the touch screen is drawn on, the motion on the touch screen is translated into pixels on this box. The software takes X and Y readings which are shown to the right of the touch screen box.

The display can be cleared by pressing the **Clear Graph** button on the screen.

### 6.4.2 Data Acquisition Functions Panel

The ADS7845 provides for measuring an auxiliary input voltage. A data acquisition functions panel displays the measured value for this parameter. Measurements are updated only when the touch screen is not being pressed. Note that these measurements depend on the reference voltage and are affected by the setting of the power-down bits. The software presumes that the reference voltage is 2.5V.

### 6.4.3 Configuration Panel

The ADS7845 can be configured to operate in either 8-bit or 12-bit resolution mode. This panel controls the mode selection.

Touch screen measurements may be made in either single-ended or differential mode; see the ADS7845 data sheet for a discussion of these modes. The touch screen measurement mode may also be selected in this panel. If single-ended mode is used, ensure that a reference voltage is supplied; however, single-ended measurements are discouraged for touch screen use, because differential mode yields far more accurate results.

The two power-down bits of the ADS7845 can also be set from this panel. A brief description of the mode selected is shown on the screen when setting these bits; see Table V of the ADS7845 data sheet for details on the functions of these bits.

### 6.4.4 Datalogging

The software can record the data it is taking from the ADS7845 to a tab-delimited file, suitable for importing into spreadsheets. To do this, first go into the *File* menu, and select *Log Data to File...*, which opens a file-select window and allows you to specify a file to which to write the data. At the same time, this feature enables the Datalogging menu.

When ready to begin recording data to a file, select *Datalogging* → *Start Logging*. Data is written to the file until *Datalogging* → *Stop Logging* is selected. When the screen is not touched, the AUX values are written to the file, and the X and Y parameters are written to the file with values of 9999, to indicate that they are not updated. When the screen is touched, the X and Y parameters are written while the AUX values are written to the file as 9999. Because the program constantly updates at a rate of about 400 readings per second, datalog files can quickly grow large; therefore, log only what is necessary.

The format of the data file has the first column as the time in milliseconds (just a timer in the program, which can arbitrarily start at any number), then X, Y, and AUX columns. Every new reading is a new row in the file.

## 7 EVM Bill of Materials and Schematic

The following tables contain a complete bill of materials for the modular ADS7845EVM and the USB-MODEVM Interface Board (included only in the ADS7845EVM-PDK).

**Table 5. ADS7845EVM Bill of Materials**

Designators	Description	Manufacturer	Mfg. Part Number
R1, R2, R3, R4, R5	0Ω 1/8W 5% Chip Resistor	Panasonic	ERJ-6GEY0R00V
R7, R8	33Ω 1/8W 5% Chip Resistor	Panasonic	ERJ-6GEYJ330V
R6	100Ω 1/8W 5% Chip Resistor	Panasonic	ERJ-6GEYJ101V
R9, R10, R11	2.7KΩ 1/8W 5% Chip Resistor	Panasonic	ERJ-6GEYJ272V
R12	10KΩ 1/8W 5% Chip Resistor	Panasonic	ERJ-6GEYJ103V
C8	0.47μF 10V Ceramic Chip Capacitor, ±10%, X5R	TDK	C1608X5R1A474KT
C10, C11	1μF 25V Ceramic Chip Capacitor, ±10%, X5R	TDK	C2012X5R1E105KT
C7, C9	10μF 16V Ceramic Chip Capacitor, ±20%, X5R	TDK	C3216X5R1C106MT
C1, C2, C3, C4, C5, C6	Chip Capacitor - Not Installed		
U1	Touch Screen Controller, 5-Wire Resistive	Texas Instruments	ADS7845E
U3	2.5V Precision Voltage Reference	Texas Instruments	REF3125AIDBZ
U2	64K I <sup>2</sup> C EEPROM	MicroChip	24LC64-I/SN
J1A, J2A	20-pin SMT Plug	Samtec	TSM-110-01-L-DV-P
J1B, J2B	20-pin SMT Socket	Samtec	SSW-110-22-F-D-VS-K
J3A	10-pin SMT Plug	Samtec	TSM-105-01-L-DV-P
J3B	10 -pin SMT Socket	Samtec	SSW-105-22-F-D-VS-K
	ADS7845EVM PWB (must be RoHS compliant)	Texas Instruments	6478716
JMP2, JMP3	2 Position Jumper, 0.1" spacing	Samtec	TSW-102-07-L-S
JMP1, JMP4	2 X 3 Position Header, 0.1" spacing	Samtec	TSW-103-07-L-D
L1, L2	100μH Surface Mount Inductor, Shielded	API Delevan	S1210R-104K
TP1	Miniature Test Point Terminal	Keystone Electronics	5000
TP2, TP3	Multipurpose Test Point Terminal	Keystone Electronics	5011
N/A	Header Shorting Block	Samtec	SNT-100-BK-T

**Table 6. USB-MODEVM Bill of Materials**

Designators	Description	Manufacturer	Mfg. Part Number
R4	10Ω 1/10W 5% Chip Resistor	Panasonic	ERJ-3GEYJ100V
R10, R11	27.4Ω 1/16W 1% Chip Resistor	Panasonic	ERJ-3EKF27R4V
R20	75Ω 1/4W 1% Chip Resistor	Panasonic	ERJ-14NF75R0U
R19	220Ω 1/10W 5% Chip Resistor	Panasonic	ERJ-3GEYJ221V
R14, R21, R22	390Ω 1/10W 5% Chip Resistor	Panasonic	ERJ-3GEYJ391V
R13	649Ω 1/16W 1% Chip Resistor	Panasonic	ERJ-3EKF6490V
R9	1.5kΩ 1/10W 5% Chip Resistor	Panasonic	ERJ-3GEYJ152V
R1, R2, R3, R5, R6, R7, R8	2.7kΩ 1/10W 5% Chip Resistor	Panasonic	ERJ-3GEYJ272V
R12	3.09kΩ 1/16W 1% Chip Resistor	Panasonic	ERJ-3EKF3091V
R15, R16	10kΩ 1/10W 5% Chip Resistor	Panasonic	ERJ-3GEYJ103V
R17, R18	100kΩ 1/10W 5% Chip Resistor	Panasonic	ERJ-3GEYJ104V
RA1	10kΩ 1/8W Octal Isolated Resistor Array	CTS Corporation	742C163103JTR
C18, C19	33pF 50V Ceramic Chip Capacitor, ±5%, NPO	TDK	C1608C0G1H330J
C13, C14	47pF 50V Ceramic Chip Capacitor, ±5%, NPO	TDK	C1608C0G1H470J
C20	100pF 50V Ceramic Chip Capacitor, ±5%, NPO	TDK	C1608C0G1H101J
C21	1000pF 50V Ceramic Chip Capacitor, ±5%, NPO	TDK	C1608C0G1H102J
C15	0.1μF 16V Ceramic Chip Capacitor, ±10%,X7R	TDK	C1608X7R1C104K
C16, C17	0.33μF 16V Ceramic Chip Capacitor, +/-20%,Y5V	TDK	C1608X5R1C334K
C9, C10, C11, C12, C22, C23, C24, C25, C26, C27, C28	1μF 6.3V Ceramic Chip Capacitor, ±10%, X5R	TDK	C1608X5R0J105K
C1, C2, C3, C4, C5, C6, C7, C8	10μF 6.3V Ceramic Chip Capacitor, ±10%, X5R	TDK	C3216X5R0J106K
D1	50V, 1A, Diode MELF SMD	Micro Commercial Components	DL4001
D2	Yellow Light Emitting Diode	Lumex	SML-LX0603YW-TR
D3, D4, D6, D7	Green Light Emitting Diode	Lumex	SML-LX0603GW-TR
D5	Red Light Emitting Diode	Lumex	SML-LX0603IW-TR
Q1, Q2	N-Channel MOSFET	Zetex	ZXMN6A07F
X1	6MHz Crystal SMD	Epson	MA-505 6.000M-C0
U8	USB Streaming Controller	Texas Instruments	TAS1020BPFB
U2	5V LDO Regulator	Texas Instruments	REG1117-5
U9	3.3V/1.8V Dual Output LDO Regulator	Texas Instruments	TPS767D318PWP
U3, U4	Quad, Tri-State Buffers	Texas Instruments	SN74LVC125APW
U5, U6, U7	Single IC Buffer Driver with Open Drain o/p	Texas Instruments	SN74LVC1G07DBVR
U10	Single Tri-State Buffer	Texas Instruments	SN74LVC1G125DBVR
U1	64K 2-Wire Serial EEPROM I <sup>2</sup> C	Microchip	24LC64I/SN
	USB-MODEVM PCB	Texas Instruments	6463995

**Table 6. USB-MODEVM Bill of Materials (continued)**

<b>Designators</b>	<b>Description</b>	<b>Manufacturer</b>	<b>Mfg. Part Number</b>
TP1, TP2, TP3, TP4, TP5, TP6, TP9, TP10, TP11	Miniature test point terminal	Keystone Electronics	5000
TP7, TP8	Multipurpose test point terminal	Keystone Electronics	5011
J7	USB Type B Slave Connector Thru-Hole	Mill-Max	897-30-004-90-000000
J1, J2, J3, J4, J5, J8	2-position terminal block	On Shore Technology	ED555/2DS
J9	2.5mm power connector	CUI Stack	PJ-102B
J10	BNC connector, female, PC mount	AMP/Tyco	414305-1
J11A, J12A, J21A, J22A	20-pin SMT plug	Samtec	TSM-110-01-L-DV-P
J11B, J12B, J21B, J22B	20-pin SMT socket	Samtec	SSW-110-22-F-D-VS-K
J13A, J23A	10-pin SMT plug	Samtec	TSM-105-01-L-DV-P
J13B, J23B	10-pin SMT socket	Samtec	SSW-105-22-F-D-VS-K
J6	4-pin double row header (2x2) 0.1"	Samtec	TSW-102-07-L-D
J14, J15	12-pin double row header (2x6) 0.1"	Samtec	TSW-106-07-L-D
JMP1-JMP4	2-position jumper, 0.1" spacing	Samtec	TSW-102-07-L-S
JMP8-JMP14	2-position jumper, 0.1" spacing	Samtec	TSW-102-07-L-S
JMP5, JMP6	3-position jumper, 0.1" spacing	Samtec	TSW-103-07-L-S
JMP7	3-position dual row jumper, 0.1" spacing	Samtec	TSW-103-07-L-D
SW1	SMT, half-pitch 2-position switch	C&K Division, ITT	TDA02H0SK1
SW2	SMT, half-pitch 8-position switch	C&K Division, ITT	TDA08H0SK1
	Jumper plug	Samtec	SNT-100-BK-T

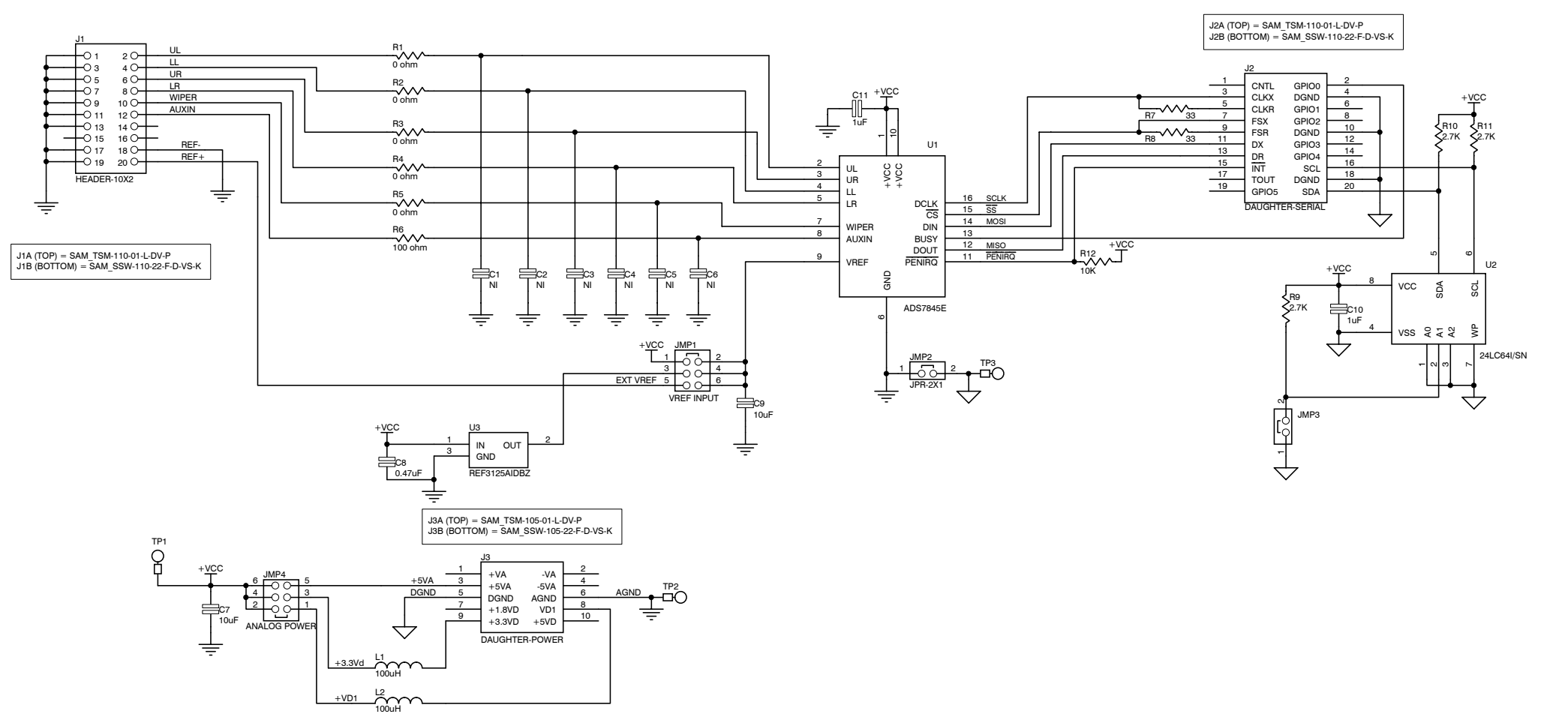
### 7.1 **ADS7845EVM Schematic**

The schematic diagram is provided as a reference.

### 7.2 **USB-MODEVM Schematic**

The schematic diagram is provided as a reference.

REVISION HISTORY		
REV	ENGINEERING CHANGE NUMBER	APPROVED



J1A (TOP) = SAM\_TSM-110-01-L-DV-P  
 J1B (BOTTOM) = SAM\_SSW-110-22-F-D-VS-K

J2A (TOP) = SAM\_TSM-110-01-L-DV-P  
 J2B (BOTTOM) = SAM\_SSW-110-22-F-D-VS-K

J3A (TOP) = SAM\_TSM-105-01-L-DV-P  
 J3B (BOTTOM) = SAM\_SSW-105-22-F-D-VS-K



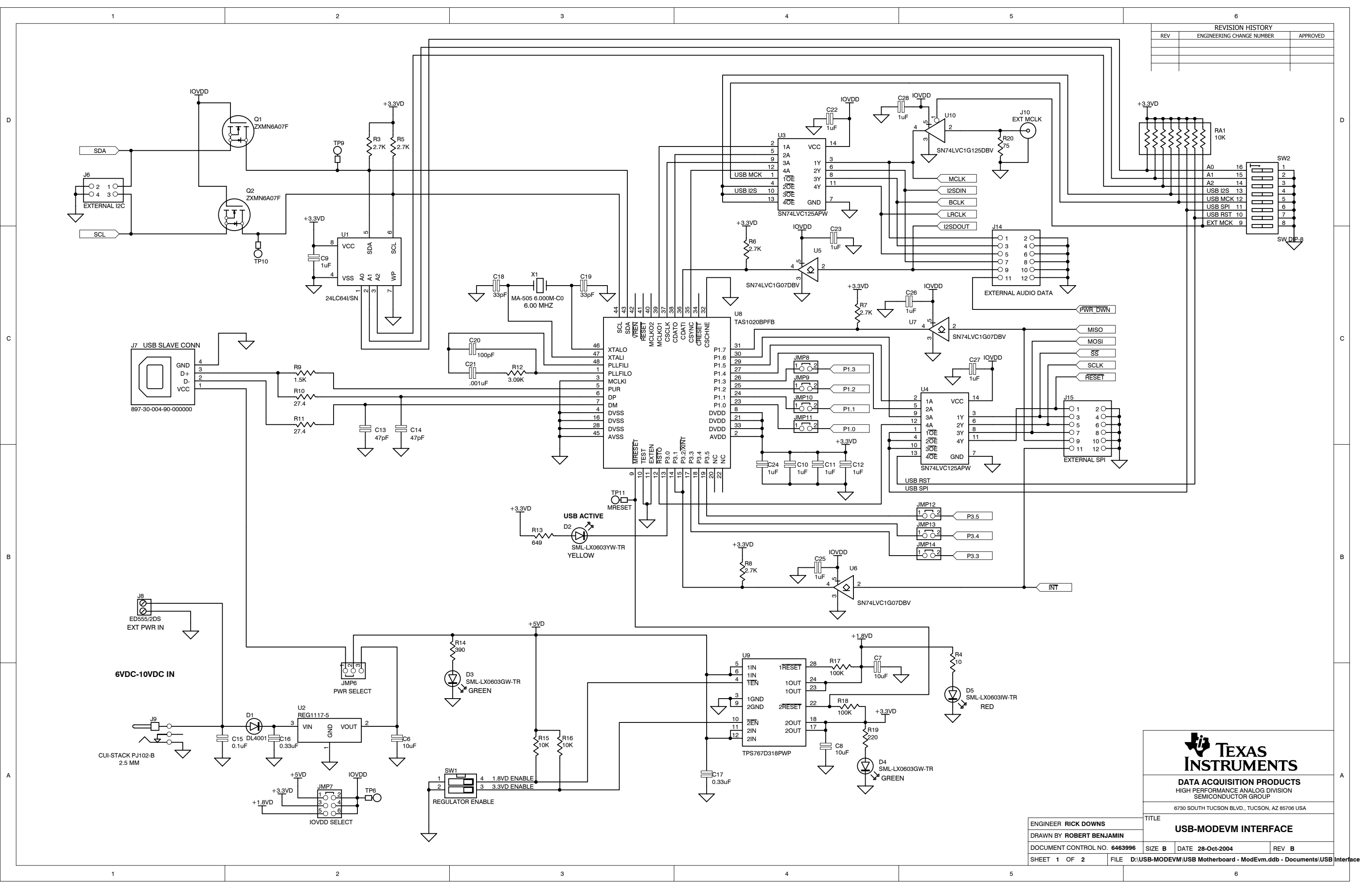
**TEXAS INSTRUMENTS**  
 DATA ACQUISITION PRODUCTS  
 HIGH-PERFORMANCE ANALOG DIVISION  
 SEMICONDUCTOR GROUP

6730 SOUTH TUCSON BLVD., TUCSON, AZ 85706 USA

TITLE  
**ADS7845 Evaluation Module**

ENGINEER	RICK DOWNS	SIZE	B	DATE	7-Mar-2006	REV	A
DRAWN BY	ROBERT BENJAMIN						
DOCUMENT CONTROL NO.	6478717	FILE	C:\WORK\ADS7845EVM\SCH\ADS7845EVM				
SHEET	1 OF 1						

REVISION HISTORY		
REV	ENGINEERING CHANGE NUMBER	APPROVED



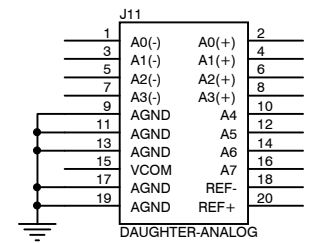
**TEXAS INSTRUMENTS**

**DATA ACQUISITION PRODUCTS**  
HIGH PERFORMANCE ANALOG DIVISION  
SEMICONDUCTOR GROUP

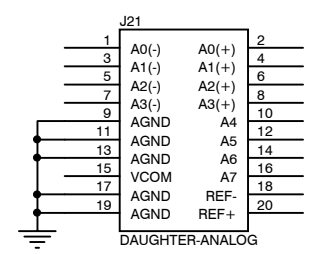
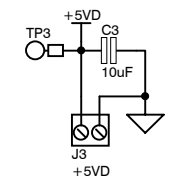
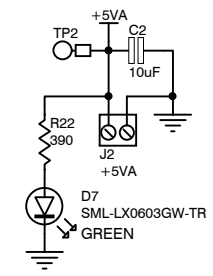
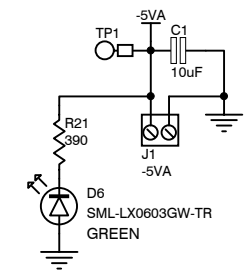
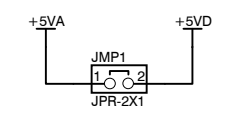
6730 SOUTH TUCSON BLVD., TUCSON, AZ 85706 USA

ENGINEER RICK DOWNS		TITLE	
DRAWN BY ROBERT BENJAMIN		<b>USB-MODEVM INTERFACE</b>	
DOCUMENT CONTROL NO. 6463996	SIZE B	DATE 28-Oct-2004	REV B
SHEET 1 OF 2	FILE D:\USB-MODEVM\USB Motherboard - ModEvm.ddb - Documents\USB Interface		

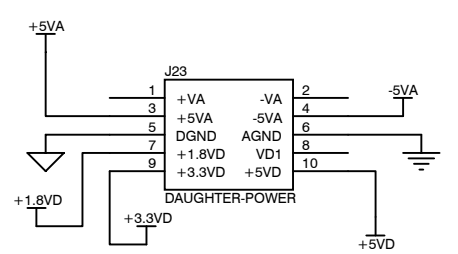
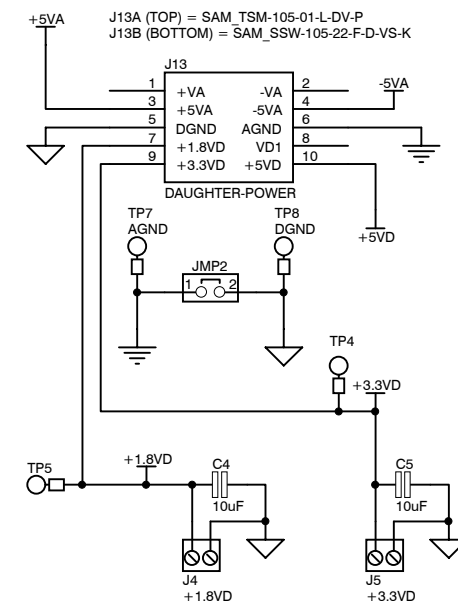
REVISION HISTORY		
REV	ENGINEERING CHANGE NUMBER	APPROVED



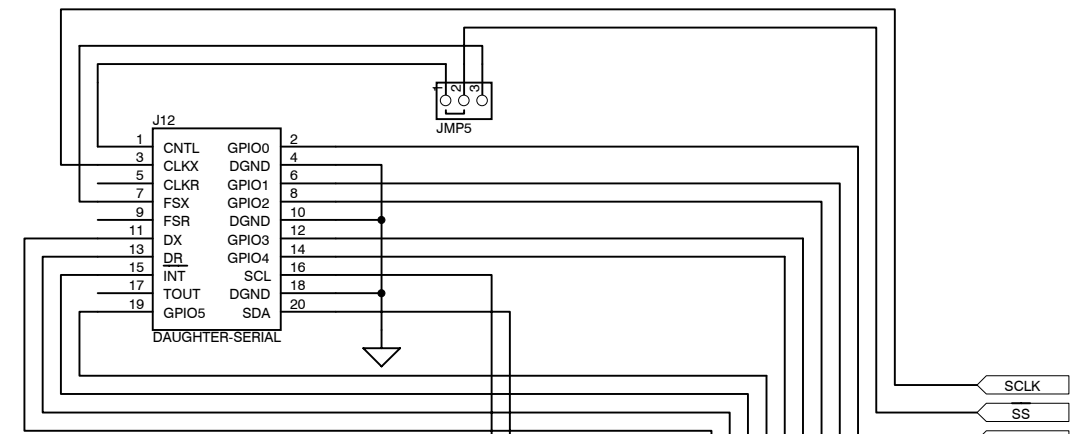
J11A (TOP) = SAM\_TSM-110-01-L-DV-P  
 J11B (BOTTOM) = SAM\_SSW-110-22-F-D-VS-K



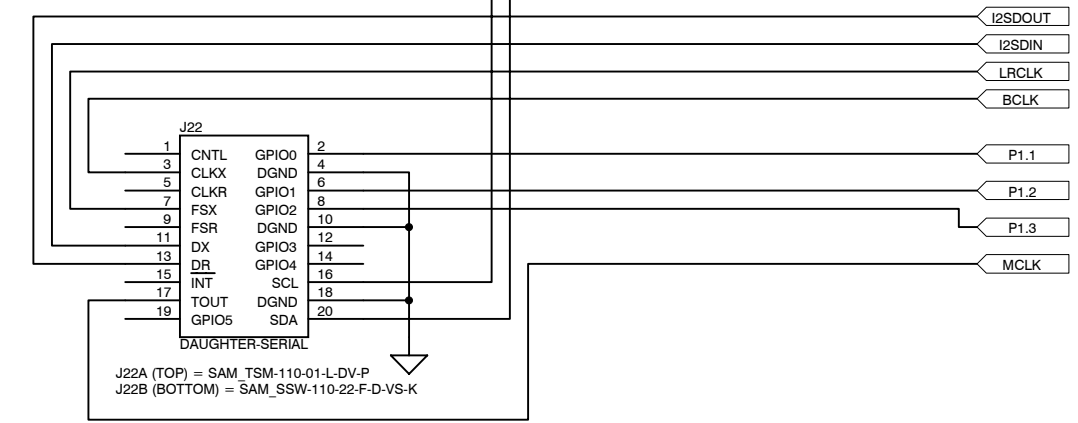
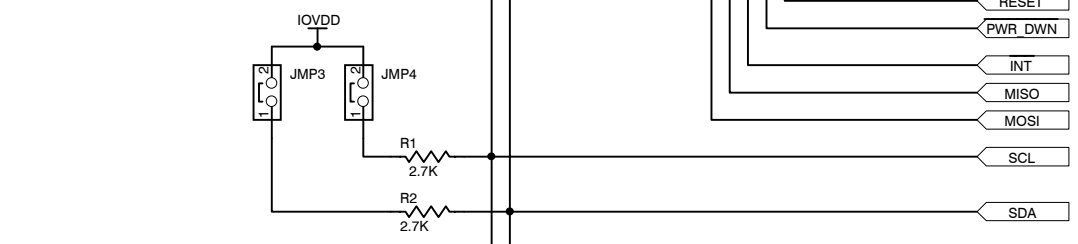
J21A (TOP) = SAM\_TSM-110-01-L-DV-P  
 J21B (BOTTOM) = SAM\_SSW-110-22-F-D-VS-K



J23A (TOP) = SAM\_TSM-105-01-L-DV-P  
 J23B (BOTTOM) = SAM\_SSW-105-22-F-D-VS-K



J12A (TOP) = SAM\_TSM-110-01-L-DV-P  
 J12B (BOTTOM) = SAM\_SSW-110-22-F-D-VS-K



J22A (TOP) = SAM\_TSM-110-01-L-DV-P  
 J22B (BOTTOM) = SAM\_SSW-110-22-F-D-VS-K



DATA ACQUISITION PRODUCTS  
 HIGH-PERFORMANCE ANALOG DIVISION  
 SEMICONDUCTOR GROUP

6730 SOUTH TUCSON BLVD., TUCSON, AZ 85706 USA

ENGINEER	RICK DOWNS	TITLE	USB-MODEVM INTERFACE	
DRAWN BY	ROBERT BENJAMIN	DOCUMENT CONTROL NO.	6463996	SIZE B
DATE	28-Oct-2004	REV	B	
SHEET	2 OF 2	FILE	D:\USB-MODEVM\USB Motherboard - ModEvm.ddb - Documents\Daughtercard Interface	

## EVALUATION BOARD/KIT IMPORTANT NOTICE

Texas Instruments (TI) provides the enclosed product(s) under the following conditions:

This evaluation board/kit is intended for use for **ENGINEERING DEVELOPMENT, DEMONSTRATION, OR EVALUATION PURPOSES ONLY** and is not considered by TI to be a finished end-product fit for general consumer use. Persons handling the product(s) must have electronics training and observe good engineering practice standards. As such, the goods being provided are not intended to be complete in terms of required design-, marketing-, and/or manufacturing-related protective considerations, including product safety and environmental measures typically found in end products that incorporate such semiconductor components or circuit boards. This evaluation board/kit does not fall within the scope of the European Union directives regarding electromagnetic compatibility, restricted substances (RoHS), recycling (WEEE), FCC, CE or UL, and therefore may not meet the technical requirements of these directives or other related directives.

Should this evaluation board/kit not meet the specifications indicated in the User's Guide, the board/kit may be returned within 30 days from the date of delivery for a full refund. **THE FOREGOING WARRANTY IS THE EXCLUSIVE WARRANTY MADE BY SELLER TO BUYER AND IS IN LIEU OF ALL OTHER WARRANTIES, EXPRESSED, IMPLIED, OR STATUTORY, INCLUDING ANY WARRANTY OF MERCHANTABILITY OR FITNESS FOR ANY PARTICULAR PURPOSE.**

The user assumes all responsibility and liability for proper and safe handling of the goods. Further, the user indemnifies TI from all claims arising from the handling or use of the goods. Due to the open construction of the product, it is the user's responsibility to take any and all appropriate precautions with regard to electrostatic discharge.

**EXCEPT TO THE EXTENT OF THE INDEMNITY SET FORTH ABOVE, NEITHER PARTY SHALL BE LIABLE TO THE OTHER FOR ANY INDIRECT, SPECIAL, INCIDENTAL, OR CONSEQUENTIAL DAMAGES.**

TI currently deals with a variety of customers for products, and therefore our arrangement with the user **is not exclusive**.

TI assumes **no liability for applications assistance, customer product design, software performance, or infringement of patents or services described herein.**

Please read the User's Guide and, specifically, the Warnings and Restrictions notice in the User's Guide prior to handling the product. This notice contains important safety information about temperatures and voltages. For additional information on TI's environmental and/or safety programs, please contact the TI application engineer or visit [www.ti.com/esh](http://www.ti.com/esh).

No license is granted under any patent right or other intellectual property right of TI covering or relating to any machine, process, or combination in which such TI products or services might be or are used.

### FCC Warning

This evaluation board/kit is intended for use for **ENGINEERING DEVELOPMENT, DEMONSTRATION, OR EVALUATION PURPOSES ONLY** and is not considered by TI to be a finished end-product fit for general consumer use. It generates, uses, and can radiate radio frequency energy and has not been tested for compliance with the limits of computing devices pursuant to part 15 of FCC rules, which are designed to provide reasonable protection against radio frequency interference. Operation of this equipment in other environments may cause interference with radio communications, in which case the user at his own expense will be required to take whatever measures may be required to correct this interference.

### EVM WARNINGS AND RESTRICTIONS

It is important to operate this EVM within the input voltage range of 3.3V to 5V and the output voltage range of 0V to 5V.

Exceeding the specified input range may cause unexpected operation and/or irreversible damage to the EVM. If there are questions concerning the input range, please contact a TI field representative prior to connecting the input power.

Applying loads outside of the specified output range may result in unintended operation and/or possible permanent damage to the EVM. Please consult the EVM User's Guide prior to connecting any load to the EVM output. If there is uncertainty as to the load specification, please contact a TI field representative.

During normal operation, some circuit components may have case temperatures greater than 30°C. The EVM is designed to operate properly with certain components above 85°C as long as the input and output ranges are maintained. These components include but are not limited to linear regulators, switching transistors, pass transistors, and current sense resistors. These types of devices can be identified using the EVM schematic located in the EVM User's Guide. When placing measurement probes near these devices during operation, please be aware that these devices may be very warm to the touch.

Mailing Address: Texas Instruments, Post Office Box 655303, Dallas, Texas 75265  
Copyright © 2006, Texas Instruments Incorporated



## IMPORTANT NOTICE

Texas Instruments Incorporated and its subsidiaries (TI) reserve the right to make corrections, modifications, enhancements, improvements, and other changes to its products and services at any time and to discontinue any product or service without notice. Customers should obtain the latest relevant information before placing orders and should verify that such information is current and complete. All products are sold subject to TI's terms and conditions of sale supplied at the time of order acknowledgment.

TI warrants performance of its hardware products to the specifications applicable at the time of sale in accordance with TI's standard warranty. Testing and other quality control techniques are used to the extent TI deems necessary to support this warranty. Except where mandated by government requirements, testing of all parameters of each product is not necessarily performed.

TI assumes no liability for applications assistance or customer product design. Customers are responsible for their products and applications using TI components. To minimize the risks associated with customer products and applications, customers should provide adequate design and operating safeguards.

TI does not warrant or represent that any license, either express or implied, is granted under any TI patent right, copyright, mask work right, or other TI intellectual property right relating to any combination, machine, or process in which TI products or services are used. Information published by TI regarding third-party products or services does not constitute a license from TI to use such products or services or a warranty or endorsement thereof. Use of such information may require a license from a third party under the patents or other intellectual property of the third party, or a license from TI under the patents or other intellectual property of TI.

Reproduction of information in TI data books or data sheets is permissible only if reproduction is without alteration and is accompanied by all associated warranties, conditions, limitations, and notices. Reproduction of this information with alteration is an unfair and deceptive business practice. TI is not responsible or liable for such altered documentation.

Resale of TI products or services with statements different from or beyond the parameters stated by TI for that product or service voids all express and any implied warranties for the associated TI product or service and is an unfair and deceptive business practice. TI is not responsible or liable for any such statements.

TI products are not authorized for use in safety-critical applications (such as life support) where a failure of the TI product would reasonably be expected to cause severe personal injury or death, unless officers of the parties have executed an agreement specifically governing such use. Buyers represent that they have all necessary expertise in the safety and regulatory ramifications of their applications, and acknowledge and agree that they are solely responsible for all legal, regulatory and safety-related requirements concerning their products and any use of TI products in such safety-critical applications, notwithstanding any applications-related information or support that may be provided by TI. Further, Buyers must fully indemnify TI and its representatives against any damages arising out of the use of TI products in such safety-critical applications.

TI products are neither designed nor intended for use in military/aerospace applications or environments unless the TI products are specifically designated by TI as military-grade or "enhanced plastic." Only products designated by TI as military-grade meet military specifications. Buyers acknowledge and agree that any such use of TI products which TI has not designated as military-grade is solely at the Buyer's risk, and that they are solely responsible for compliance with all legal and regulatory requirements in connection with such use.

TI products are neither designed nor intended for use in automotive applications or environments unless the specific TI products are designated by TI as compliant with ISO/TS 16949 requirements. Buyers acknowledge and agree that, if they use any non-designated products in automotive applications, TI will not be responsible for any failure to meet such requirements.

Following are URLs where you can obtain information on other Texas Instruments products and application solutions:

<b>Products</b>		<b>Applications</b>	
Amplifiers	<a href="http://amplifier.ti.com">amplifier.ti.com</a>	Audio	<a href="http://www.ti.com/audio">www.ti.com/audio</a>
Data Converters	<a href="http://dataconverter.ti.com">dataconverter.ti.com</a>	Automotive	<a href="http://www.ti.com/automotive">www.ti.com/automotive</a>
DSP	<a href="http://dsp.ti.com">dsp.ti.com</a>	Broadband	<a href="http://www.ti.com/broadband">www.ti.com/broadband</a>
Interface	<a href="http://interface.ti.com">interface.ti.com</a>	Digital Control	<a href="http://www.ti.com/digitalcontrol">www.ti.com/digitalcontrol</a>
Logic	<a href="http://logic.ti.com">logic.ti.com</a>	Military	<a href="http://www.ti.com/military">www.ti.com/military</a>
Power Mgmt	<a href="http://power.ti.com">power.ti.com</a>	Optical Networking	<a href="http://www.ti.com/opticalnetwork">www.ti.com/opticalnetwork</a>
Microcontrollers	<a href="http://microcontroller.ti.com">microcontroller.ti.com</a>	Security	<a href="http://www.ti.com/security">www.ti.com/security</a>
RFID	<a href="http://www.ti-rfid.com">www.ti-rfid.com</a>	Telephony	<a href="http://www.ti.com/telephony">www.ti.com/telephony</a>
Low Power Wireless	<a href="http://www.ti.com/lpw">www.ti.com/lpw</a>	Video & Imaging	<a href="http://www.ti.com/video">www.ti.com/video</a>
		Wireless	<a href="http://www.ti.com/wireless">www.ti.com/wireless</a>

Mailing Address: Texas Instruments, Post Office Box 655303, Dallas, Texas 75265  
Copyright © 2007, Texas Instruments Incorporated