

Analog Engineer's Circuit

Adjustable Reference Voltage Circuit



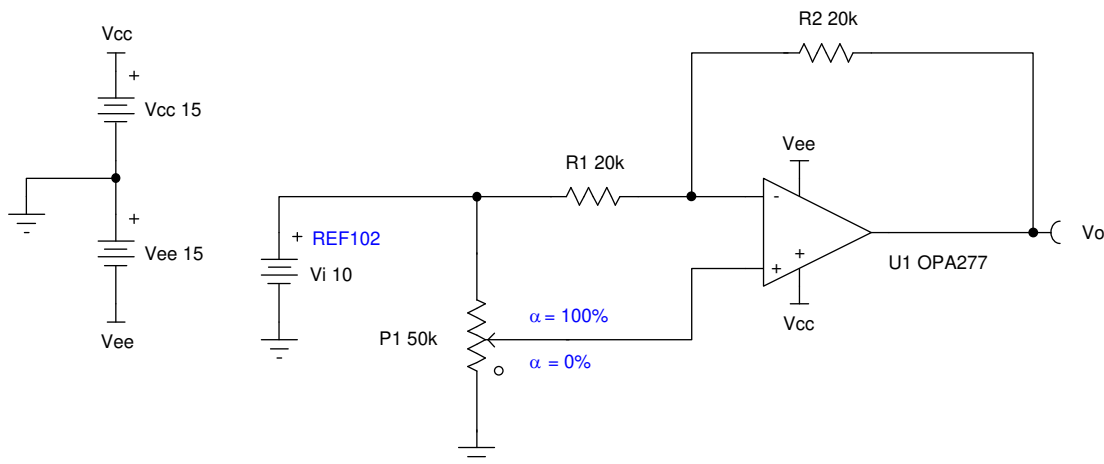
Caelan (Zak) Kaye

Design Goals

Input	Output		Supply	
V_i	V_{oMin}	V_{oMax}	V_{cc}	V_{ee}
10V	-10V	10V	15V	-15V

Design Description

This circuit combines an inverting and non-inverting amplifier to make a reference voltage adjustable from the negative of the input voltage up to the input voltage. Gain can be added to increase the maximum negative reference level.

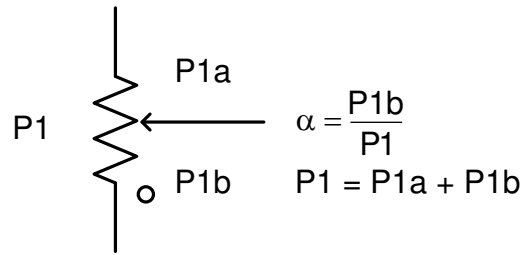


Design Notes

1. Observe the common-mode and output swing limitations of the op amp.
2. Mismatch in R_1 and R_2 results in a gain error. Selecting $R_2 > R_1$ increases the maximum negative voltage, and selecting $R_2 < R_1$ decreases the maximum negative voltage. In either case, the maximum positive voltage is always equal to the input voltage. This relationship is inverted if a negative input reference voltage is used.
3. Select the potentiometer based on the desired resolution of the reference. Generally, the potentiometers can be set accurately to within one-eighth of a turn. For a 10-turn pot this means alpha (α) may be off by as much as 1.25%.

Design Steps

Alpha represents the potentiometer setting relative to ground. This is the fraction of the input voltage that will be applied to the non-inverting terminal of the op amp and amplified by the non-inverting gain.



The transfer function of this circuit follows:

$$\frac{V_o}{V_i} = -\frac{R_2}{R_1} + \alpha \left(1 + \frac{R_2}{R_1} \right)$$

1. If $R_2 = R_1 = 20k\Omega$, then the equation for V_o simplifies as the following shows:

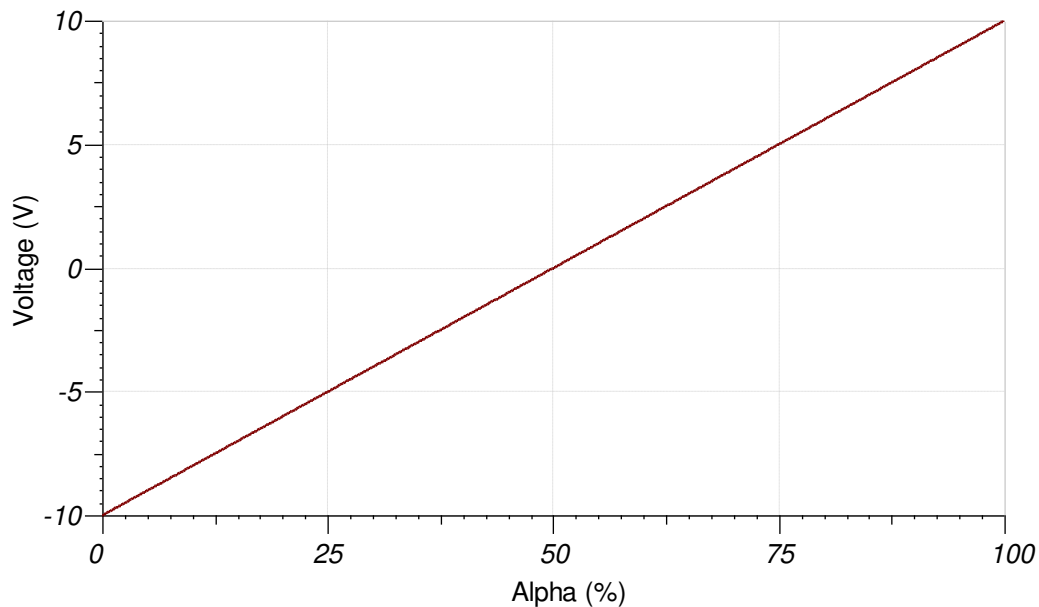
$$V_o = (2\alpha - 1) \times V_i$$

2. If $V_i = 10V$ and $\alpha = 0.75$, the value of V_o can be determined.

$$V_o = (2 \times 0.75 - 1) \times 10 = 5V$$

Design Simulations

DC Simulation Results



Design References

Texas Instruments, [SBOMAU2 TINA-TI™ circuit simulation](#), file download

Design Featured Op Amp

OPA277	
V_{SS}	4V to 36V
V_{inCM}	$V_{ee}+2V$ to $V_{cc}-2V$
V_{out}	$V_{ee}+0.5V$ to $V_{cc}-1.2V$
V_{os}	10 μ V
I_q	790 μ A/Ch
I_b	500pA
UGBW	1MHz
SR	0.8V/ μ s
#Channels	1, 2, and 4
OPA277	

Design Alternate Op Amp

OPA172	
V_{SS}	4.5V to 36V
V_{inCM}	$V_{ee}-0.1V$ to $V_{cc}-2V$
V_{out}	Rail-to-rail
V_{os}	200 μ V
I_q	1.6 mA/Ch
I_b	8pA
UGBW	10MHz
SR	10V/ μ s
#Channels	1, 2, and 4
OPA172	

Trademarks

All trademarks are the property of their respective owners.

IMPORTANT NOTICE AND DISCLAIMER

TI PROVIDES TECHNICAL AND RELIABILITY DATA (INCLUDING DATA SHEETS), DESIGN RESOURCES (INCLUDING REFERENCE DESIGNS), APPLICATION OR OTHER DESIGN ADVICE, WEB TOOLS, SAFETY INFORMATION, AND OTHER RESOURCES "AS IS" AND WITH ALL FAULTS, AND DISCLAIMS ALL WARRANTIES, EXPRESS AND IMPLIED, INCLUDING WITHOUT LIMITATION ANY IMPLIED WARRANTIES OF MERCHANTABILITY, FITNESS FOR A PARTICULAR PURPOSE OR NON-INFRINGEMENT OF THIRD PARTY INTELLECTUAL PROPERTY RIGHTS.

These resources are intended for skilled developers designing with TI products. You are solely responsible for (1) selecting the appropriate TI products for your application, (2) designing, validating and testing your application, and (3) ensuring your application meets applicable standards, and any other safety, security, regulatory or other requirements.

These resources are subject to change without notice. TI grants you permission to use these resources only for development of an application that uses the TI products described in the resource. Other reproduction and display of these resources is prohibited. No license is granted to any other TI intellectual property right or to any third party intellectual property right. TI disclaims responsibility for, and you will fully indemnify TI and its representatives against, any claims, damages, costs, losses, and liabilities arising out of your use of these resources.

TI's products are provided subject to [TI's Terms of Sale](#) or other applicable terms available either on [ti.com](https://www.ti.com) or provided in conjunction with such TI products. TI's provision of these resources does not expand or otherwise alter TI's applicable warranties or warranty disclaimers for TI products.

TI objects to and rejects any additional or different terms you may have proposed.

Mailing Address: Texas Instruments, Post Office Box 655303, Dallas, Texas 75265
Copyright © 2024, Texas Instruments Incorporated