

TPD1S514x Family USB Charger Overvoltage, Surge and ESD Protection for V_{BUS} PIN

1 Features

- Overvoltage Protection at V_{BUS_CON} up to 30-V DC
- Precision OVP ($< \pm 1\%$ Tolerance)
- Low R_{ON} nFET Switch Supports Host and Charging Mode
- Dedicated V_{BUS_POWER} Pin Offers Flexible Power up Options Under Dead Battery Condition
- Transient Protection for V_{BUS} Line:
 - IEC 61000-4-2 Contact Discharge ± 15 kV
 - IEC 61000-4-2 Air Gap Discharge ± 15 kV
 - IEC 61000-4-5 Open Circuit Voltage 100 V
 - Precision Clamp Circuit Limits the V_{BUS_SYS} Voltage $< V_{OVP}$
- USB Inrush Current Compliant
- Thermal Shutdown (TSD) Feature

2 Applications

- Cell Phones
- Tablets
- eBook
- Portable Media Players
- 5-V, 9-V, and 12-V Power Rails

3 Description

The TPD1S514 Family consists of single-chip protection solutions for 5-V, 9-V or 12-V USB V_{BUS} lines, or other power buses. The bidirectional nFET switch ensures safe current flow in both charging and host mode while protecting the internal system circuits from any over voltage condition at the V_{BUS_CON} pin. On the V_{BUS_CON} pin, this device can handle over voltage protection up to 30-V DC. After the \overline{EN} pin toggles low, any device in the TPD1S514 Family waits 20 ms before turning ON the nFET through a soft start delay.

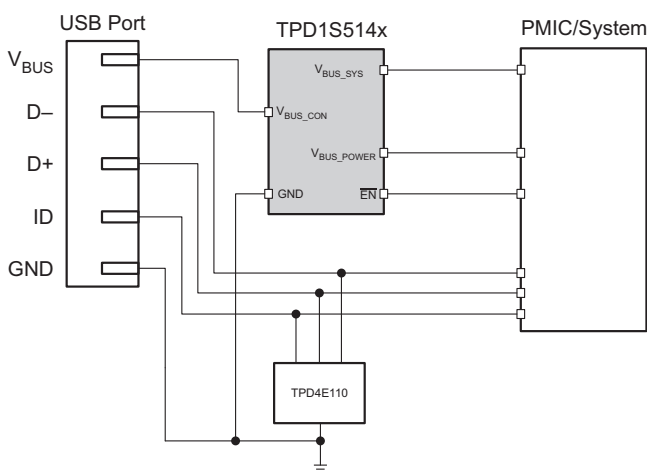
Typical application interfaces for the TPD1S514 Family are V_{BUS} lines in USB connectors typically found in cell phones, tablets, eBooks, and portable media players. The TPD1S514 Family can also be applied to any system using an interface for a 5-V, 9-V, or 12-V power rail.

Device Information⁽¹⁾

DEVICE NAME	PACKAGE	BODY SIZE (NOM)
TPD1S514x	WCSP (12)	1.29 mm x 1.99 mm

(1) For all available packages, see the orderable addendum at the end of the data sheet.

TPD1S514 Family Circuit Protection Scheme



TPD1S514 Family Block Diagram

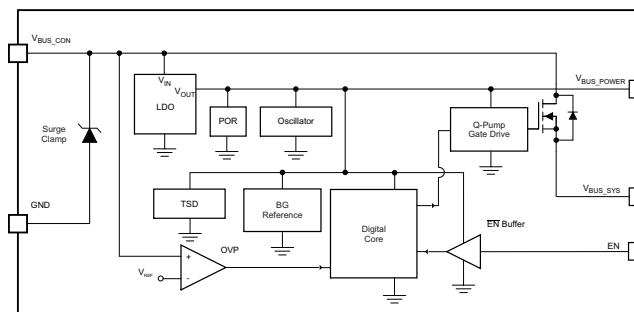


Table of Contents

1 Features	1	8 Detailed Description	12
2 Applications	1	8.1 Overview	12
3 Description	1	8.2 Functional Block Diagram	12
4 Revision History	2	8.3 Feature Description	12
5 Device Comparison Table	4	8.4 Device Functional Modes	14
6 Pin Configuration and Functions	4	9 Application and Implementation	15
7 Specifications	5	9.1 Application Information	15
7.1 Absolute Maximum Ratings	5	9.2 Typical Applications	15
7.2 ESD Ratings	5	10 Power Supply Recommendations	19
7.3 Recommended Operating Conditions	6	11 Layout	20
7.4 Thermal Information	6	11.1 Layout Guidelines	20
7.5 Supply Current Consumption	6	11.2 Layout Example	20
7.6 Electrical Characteristics \overline{EN} Pin	7	12 Device and Documentation Support	21
7.7 Thermal Shutdown Feature	7	12.1 Community Resources	21
7.8 Electrical Characteristics nFET Switch	7	12.2 Trademarks	21
7.9 Electrical Characteristics OVP Circuit	8	12.3 Electrostatic Discharge Caution	21
7.10 Electrical Characteristics V_{BUS_POWER} Circuit	8	12.4 Glossary	21
7.11 Timing Requirements	9	13 Mechanical, Packaging, and Orderable Information	21
7.12 TPD1S514-1 Typical Characteristics	10	13.1 Package Option Addendum	22

4 Revision History

NOTE: Page numbers for previous revisions may differ from page numbers in the current version.

Changes from Revision E (October 2015) to Revision F	Page
• Changed I_{POWER} from 1 mA to 10 mA in the <i>Absolute Maximum Ratings</i> table	5

Changes from Revision D (July 2015) to Revision E	Page
• Removed Preview status of TPD1S514-3	1
• Changed Max value of I_{VBUS_SLEEP} PARAMETER for TPD1S514-3 (Preview) from 308 μ A to 335 μ A.	6
• Updated TEST CONDITIONS for T_{OFF_DELAY} PARAMETER.	9

Changes from Revision C (July 2015) to Revision D	Page
• Added TPD1S514 and TPD1S514-3 (Preview)	1

Changes from Revision B (September 2014) to Revision C	Page
• Removed Previewed TPD1S514-3 and Programmability Features.	1

Changes from Revision A (July 2014) to Revision B	Page
• Changed Body size to fix rounding error.	1

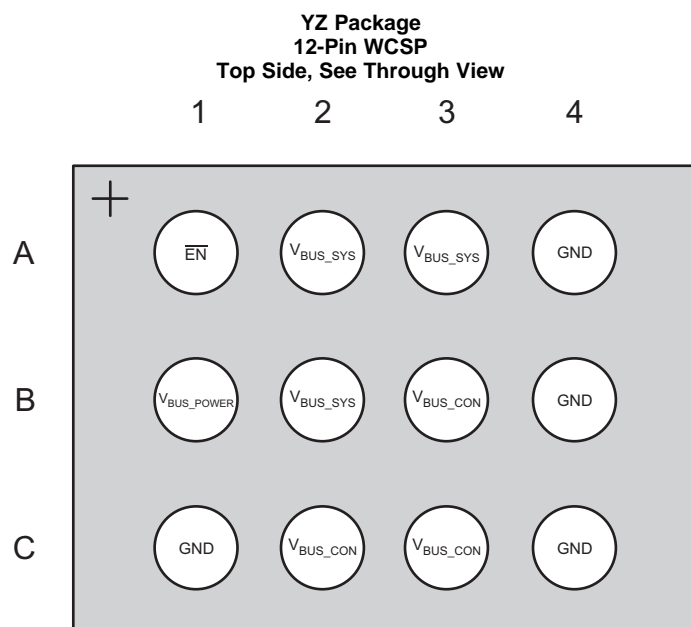
Changes from Original (April 2014) to Revision A	Page
• Removed Preview status of TPD1S514-2.	1
• Updated Device Comparison table.	4
• Updated Electrical Characteristics OVP Circuit table	8

5 Device Comparison Table

TPD1S514 Family	V _{OVp} (V)			V _{OVp, HYS} (mV)	V _{BUS_POWER} (V) ⁽¹⁾		T_Startup delay (ms) options	T_Soft Start (ms) options
	MIN	TYP	MAX	TYP	MIN	TYP	TYP	TYP
TPD1S514-1	5.9	5.95	5.99	100	4.7	4.95	20	3.5
TPD1S514-2	9.9	9.98	10.05	100	4.7	4.95		
TPD1S514-3	13.5	13.75	14	100	4.7	4.95		
TPD1S514	5.9	5.95	5.99	20	6.2	6.48		

(1) With V_{BUS_CON} > 6.5V. See Sections [V_{BUS_POWER}](#), [TPD1S514-1](#), [TPD1S514-2](#), [TPD1S514-3](#) and [V_{BUS_POWER}](#), [TPD1S514](#) for full description.

6 Pin Configuration and Functions



Pin Functions

PIN		I/O	DESCRIPTION
NAME	NO.		
\overline{EN}	A1	I	Enable Active-Low Input. Drive \overline{EN} low to enable the switch. Drive \overline{EN} high to disable the switch.
V _{BUS_POWER}	B1	O	5-V Power source controlled by V _{BUS_CON} .
V _{BUS_SYS}	A2, A3, B2	I/O	Connect to internal VBUS plane.
V _{BUS_CON}	B3, C2, C3	I/O	Connect to USB connector VBUS pin; IEC 61000-4-2 ESD protection and IEC 61000-4-5 Surge protection.
GND	A4, B4, C1, C4	G	Connect to PCB ground plane.

7 Specifications

7.1 Absolute Maximum Ratings

over operating free-air temperature range (unless otherwise noted)⁽¹⁾⁽²⁾

		MIN	MAX	UNIT	
V _{BUS_CON}	Supply voltage from USB connector	-0.3	30	V	
V _{BUS_SYS}	Internal Supply DC voltage Rail on the PCB	-0.3	20	V	
I _{BUS}	Continuous input current on V _{BUS_CON} pin ⁽³⁾		3.5	A	
I _{OUT}	Continuous output current on V _{BUS_CON} pin ⁽³⁾		3.5	A	
I _{PEAK}	Peak Input and Output Current on V _{BUS_CON} , V _{BUS_SYS} pin (10 ms)		8	A	
I _{DIODE}	Continuous forward current through the FET body diode		1	A	
I _{POWER}	Continuous current through V _{BUS_POWER}		10	mA	
V _{EN}	Voltage on Input pin (\overline{EN})		7	V	
V _{BUS_POWER}	Continuous Voltage at V _{BUS_POWER}	TPD1S514-1	See ⁽⁴⁾	V	
		TPD1S514-2	See ⁽⁴⁾		
		TPD1S514-3	See ⁽⁴⁾		
		TPD1S514	See ⁽⁴⁾		
	IEC 61000-4-5 open circuit voltage (t _p = 1.2/50 μs)	V _{BUS_CON} pin	100	V	
	IEC 61000-4-5 peak pulse current (t _p = 8/20μs)	V _{BUS_CON} pin	30	A	
	IEC 61000-4-5 peak pulse power (t _p = 8/20μs)	V _{BUS_CON} pin	900	W	
C _{LOAD}	Output load capacitance	V _{BUS_SYS} pin	0.1	100	μF
C _{CON}	Input capacitance	V _{BUS_CON} pin	0.1	50	μF
C _{POW}	V _{BUS_POWER} capacitance	V _{BUS_POWER} pin	0.1	4.7	μF
T _A	Operating free air temperature	-40	85	°C	
T _{stg}	Storage temperature	-65	150	°C	

- (1) Stresses beyond those listed under *Absolute Maximum Ratings* may cause permanent damage to the device. These are stress ratings only, which do not imply functional operation of the device at these or any other conditions beyond those indicated under *Recommended Operating Conditions*. Exposure to absolute-maximum-rated conditions for extended periods may affect device reliability.
- (2) The algebraic convention, whereby the most negative value is a minimum and the most positive value is a maximum.
- (3) Thermal limits and power dissipation limits must be observed.
- (4) 6.9 V or V_{BUS_CON} + 0.3 V, whichever is smaller.

7.2 ESD Ratings

		VALUE	UNIT	
V _(ESD)	Electrostatic discharge	Human-body model (HBM), per ANSI/ESDA/JEDEC JS-001 ⁽¹⁾	±2000	
		Charged-device model (CDM), per JEDEC specification JESD22-C101 ⁽²⁾	±500	
		IEC 61000-4-2 Contact Discharge	V _{BUS_CON} pin	±15000
		IEC 61000-4-2 Air-gap Discharge	V _{BUS_CON} pin	±15000

- (1) JEDEC document JEP155 states that 500-V HBM allows safe manufacturing with a standard ESD control process. Manufacturing with less than 500-V HBM is possible with the necessary precautions.
- (2) JEDEC document JEP157 states that 250-V CDM allows safe manufacturing with a standard ESD control process. Manufacturing with less than 250-V CDM is possible with the necessary precautions.

7.3 Recommended Operating Conditions

over operating free-air temperature range (unless otherwise noted)

			MIN	NOM	MAX	UNIT
V _{BUS_CON}	Supply voltage from USB connector	TPD1S514-1	3.5	5	5.9	V
		TPD1S514-2	3.5	9	9.9	
		TPD1S514-3	3.5	12	13.5	
		TPD1S514	3.5	5	5.9	
V _{BUS_SYS}	Internal Supply DC voltage Rail on the PCB	TPD1S514-1	3.9	5	5.9	V
		TPD1S514-2	3.9	9	9.9	
		TPD1S514-3	3.9	12	13.5	
		TPD1S514	3.9	5	5.9	
C _{LOAD}	Output load capacitance	V _{BUS_SYS} pin		2.2		μF
C _{CON}	Input capacitance	V _{BUS_CON} pin		1		μF
C _{POWER}	Capacitance on V _{BUS_POWER}	V _{BUS_POWER} pin		1		μF
T _A	Operating free-air temperature		-40		85	°C

7.4 Thermal Information

THERMAL METRIC ⁽¹⁾		TPD1S514 Family	UNIT
		YZ (WCSP)	
		12 PINS	
R _{θJA}	Junction-to-ambient thermal resistance	89	°C/W
R _{θJC(top)}	Junction-to-case (top) thermal resistance	0.6	°C/W
R _{θJB}	Junction-to-board thermal resistance	16.3	°C/W
ψ _{JT}	Junction-to-top characterization parameter	2.7	°C/W
ψ _{JB}	Junction-to-board characterization parameter	16.2	°C/W

(1) For more information about traditional and new thermal metrics, see the *Semiconductor and IC Package Thermal Metrics* application report, [SPRA953](#).

7.5 Supply Current Consumption

over operating free-air temperature range (unless otherwise noted)

PARAMETER		TEST CONDITIONS	DEVICE NAME	TYP	MAX	UNIT	
I _{VBUS_SLEEP}	V _{BUS_CON} Operating Current Consumption	Measured at V _{BUS_CON} pin, EN = 5 V	V _{BUS_CON} = 5 V	TPD1S514-1	150	245	μA
			V _{BUS_CON} = 9 V	TPD1S514-2	176	281	
			V _{BUS_CON} = 12 V	TPD1S514-3	195	335	
			V _{BUS_CON} = 5 V	TPD1S514	150	245	
I _{VBUS}	V _{BUS_CON} Operating Current Consumption	Measured at V _{BUS_CON} pin, EN = 0 V and no load	V _{BUS_CON} = 5 V	TPD1S514-1	228	354	μA
			V _{BUS_CON} = 9 V	TPD1S514-2	250	413	
			V _{BUS_CON} = 12 V	TPD1S514-3	270	456	
			V _{BUS_CON} = 5 V	TPD1S514	228	354	
I _{VBUS_SYS}	V _{BUS_SYS} operating current consumption	Measured at V _{BUS_SYS} pin, V _{BUS_CON} = Hi-Z, EN = 0 V	V _{BUS_SYS} = 5 V	TPD1S514-1	210	354	μA
			V _{BUS_SYS} = 9 V	TPD1S514-2	250	424	
			V _{BUS_SYS} = 12 V	TPD1S514-3	333	461	
			V _{BUS_SYS} = 5 V	TPD1S514	210	354	
I _{HOST_LEAK}	Host mode leakage current	Measured at V _{BUS_SYS} pin, V _{BUS_CON} = Hi-Z, EN = 5 V	V _{BUS_SYS} = 5 V	TPD1S514-1	90	218	μA
			V _{BUS_SYS} = 9 V	TPD1S514-2	290	491	
			V _{BUS_SYS} = 12 V	TPD1S514-3	506	696	
			V _{BUS_SYS} = 5 V	TPD1S514	90	218	

7.6 Electrical Characteristics $\overline{\text{EN}}$ Pin

over operating free-air temperature range (unless otherwise noted)

PARAMETER			TEST CONDITIONS	MIN	TYP	MAX	UNIT
V_{IH}	High-level input voltage	$\overline{\text{EN}}$	$V_{BUS_CON} = 5\text{ V}$	1.2		6	V
V_{IL}	Low-level input voltage	$\overline{\text{EN}}$	$V_{BUS_CON} = 5\text{ V}$	0		0.8	V
I_{IL}	Input leakage current	$\overline{\text{EN}}$	$V_{\overline{\text{EN}}} = 0\text{ V}, V_{BUS_CON} = 5\text{ V}$			1	μA
I_{IH}	Input leakage current	$\overline{\text{EN}}$	$V_{\overline{\text{EN}}} = 5\text{ V}, V_{BUS_CON} = 5\text{ V}$			10	μA

7.7 Thermal Shutdown Feature

over operating free-air temperature range (unless otherwise noted)

PARAMETER			TEST CONDITIONS	MIN	TYP	MAX	UNIT
T_{SHDN}	Thermal shutdown		$V_{BUS_CON} = 5\text{ V}, \overline{\text{EN}} = 0\text{ V}$, Junction temperature decreases from thermal shutdown level until the nFET switch turns off.		145		$^{\circ}\text{C}$
	Thermal shutdown hysteresis		$V_{BUS_CON} = 5\text{ V}, \overline{\text{EN}} = 0\text{ V}$, Junction temperature decreases from thermal shutdown level until the nFET switch turns on.		25		$^{\circ}\text{C}$

7.8 Electrical Characteristics nFET Switch

$T = 25^{\circ}\text{C}$

PARAMETER		TEST CONDITIONS		MIN	TYP	MAX	UNIT
R_{ON}	Switch ON resistance	$V_{BUS_CON} = 5\text{ V}, I_{OUT} = 1\text{ A}$	TPD1S514-1		39	50	m Ω
		$V_{BUS_CON} = 9\text{ V}, I_{OUT} = 1\text{ A}$	TPD1S514-2		39	50	
		$V_{BUS_CON} = 12\text{ V}, I_{OUT} = 1\text{ A}$	TPD1S514-3		39	50	
		$V_{BUS_CON} = 5\text{ V}, I_{OUT} = 1\text{ A}$	TPD1S514		39	50	

7.9 Electrical Characteristics OVP Circuit

T = 25°C

PARAMETER		TEST CONDITIONS		MIN	TYP	MAX	UNIT	
V _{OVP}	Input voltage protection threshold	V _{BUS_CON}	V _{BUS_CON} increasing from 0 V to 20 V	TPD1S514-1	5.90	5.95	5.99	V
				TPD1S514-2	9.9	9.98	10.05	
				TPD1S514-3	13.5	13.75	14	
				TPD1S514	5.90	5.95	5.99	
V _{HYS_OVP}	Hysteresis on OVP	V _{BUS_CON}	V _{BUS_CON} decreasing from 20 V to 0 V	TPD1S514-1		100	mV	
				TPD1S514-2		100		
				TPD1S514-3		100		
				TPD1S514		20		
V _{UVLO}	Input under voltage lockout	V _{BUS_CON}	V _{BUS_CON} voltage rising from 0 V to 5 V	2.7	3.1	3.5	V	
V _{HYS_UVLO}	Hysteresis on UVLO	V _{BUS_CON}	Difference between rising and falling UVLO thresholds		80		mV	
V _{UVLO_FALLING}	Input undervoltage lockout	V _{BUS_CON}	V _{BUS_CON} voltage falling from 5 V to 0 V	2.6	3.0	3.4	V	
V _{UVLO_SYS}	V _{BUS_SYS} undervoltage lockout	V _{BUS_SYS}	V _{BUS_SYS} voltage rising from 0 V to 5 V	2.8	3.7	4.3	V	
V _{HYS_UVLO_SYS}	V _{BUS_SYS} UVLO Hysteresis	V _{BUS_SYS}	Difference between rising and falling UVLO thresholds on V _{BUS_SYS}		500		mV	
V _{UVLO_SYS_FALLING}	V _{BUS_SYS} undervoltage lockout	V _{BUS_SYS}	V _{BUS_SYS} voltage falling from 5 V to 0 V	2.6	3.0	3.4	V	

7.10 Electrical Characteristics V_{BUS_POWER} Circuit

over operating free-air temperature range (unless otherwise noted)

PARAMETER		TEST CONDITIONS		MIN	TYP	MAX	UNIT
V _{CLAMP}	Output voltage on V _{BUS_POWER} during OVP	V _{BUS_CON} = 20 V	TPD1S514-1		5.0	5.5	V
			TPD1S514-2		5.0	5.5	
			TPD1S514-3		5.0	5.5	
			TPD1S514		6.48	6.68	
V _{BUS_POWER}	Output voltage on V _{BUS_POWER} during normal operation	V _{BUS_CON} = 5 V; I _{BUS_POWER} = 1 mA;	TPD1S514-1	4.7	4.95	V	
			TPD1S514-2	4.7	4.95		
			TPD1S514-3	4.7	4.95		
			TPD1S514	4.7	4.98		
I _{BUS_POWER_MAX}	Output current on V _{BUS_POWER}	V _{BUS_CON} = 5 V – 15 V				3	mA

7.11 Timing Requirements

over operating free-air temperature range (unless otherwise noted)

PARAMETER		TEST CONDITIONS	MIN	TYP	MAX	UNIT
t_{DELAY}	USB charging turn-ON Delay	Measured from $\overline{\text{EN}}$ asserted LOW to nFET begins to Turn ON, excludes soft-start time	TPD1S514-1	20		ms
			TPD1S514-2			
			TPD1S514-3			
			TPD1S514			
t_{SS}	USB charging rise time (soft-start delay)	Force 5 V on VBUS_CON, measured from $V_{\text{BUS_SYS}}$ rises from 10% to 90% (with 1 M Ω load/ NO C_{LOAD})	TPD1S514-1	3.5		ms
			TPD1S514-2			
			TPD1S514-3			
			TPD1S514			
$t_{\text{OFF_DELAY}}$	USB charging turn-OFF time	Measured from $\overline{\text{EN}}$ asserted High to $V_{\text{BUS_SYS}}$ falling to 10% with $R_{\text{LOAD}} = 10 \Omega$ and No C_{LOAD} on $V_{\text{BUS_SYS}}$	TPD1S514-1	5.5		μs
			TPD1S514-2			
			TPD1S514-3			
			TPD1S514			
OVER VOLTAGE PROTECTION						
$t_{\text{OVP_response}}$	OVP response time	Measured from OVP Condition to FET Turn OFF ⁽¹⁾			100	ns

(1) Specified by design, not production tested

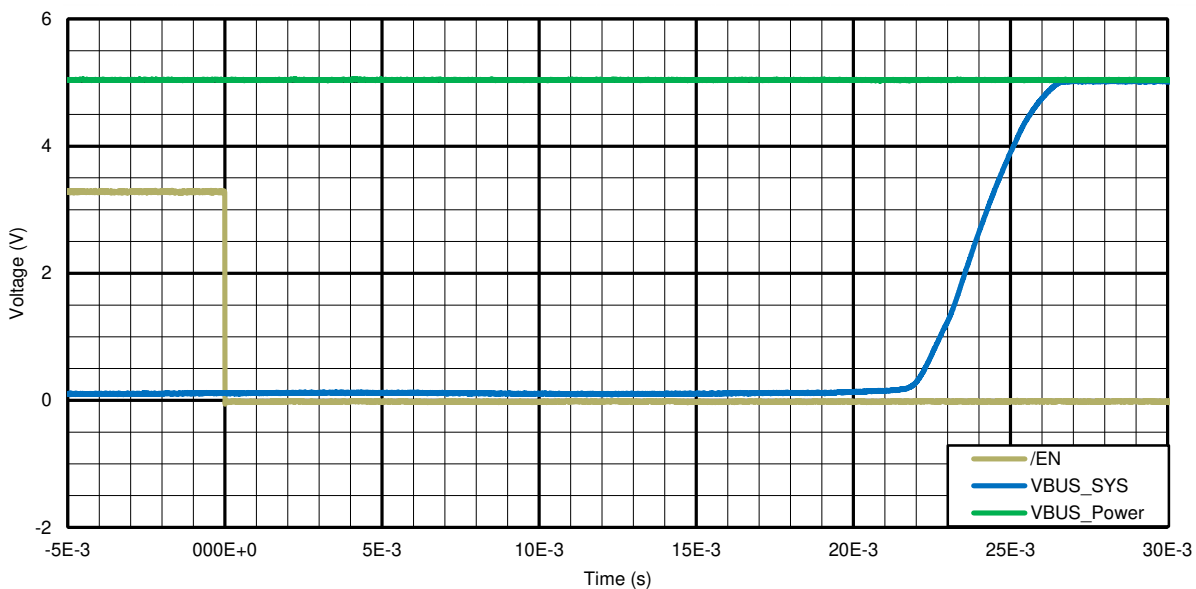
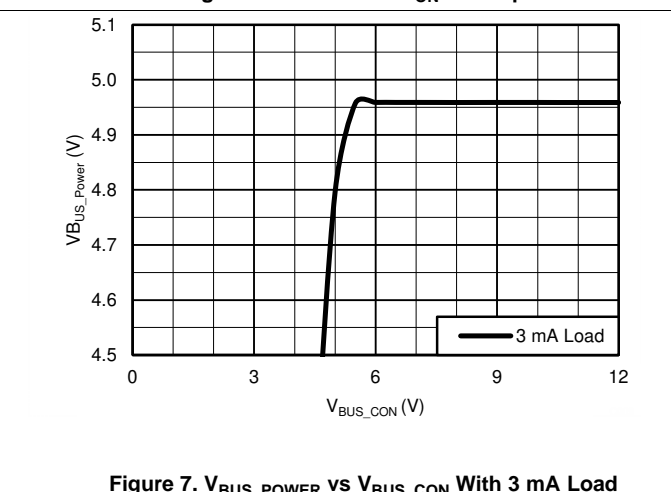
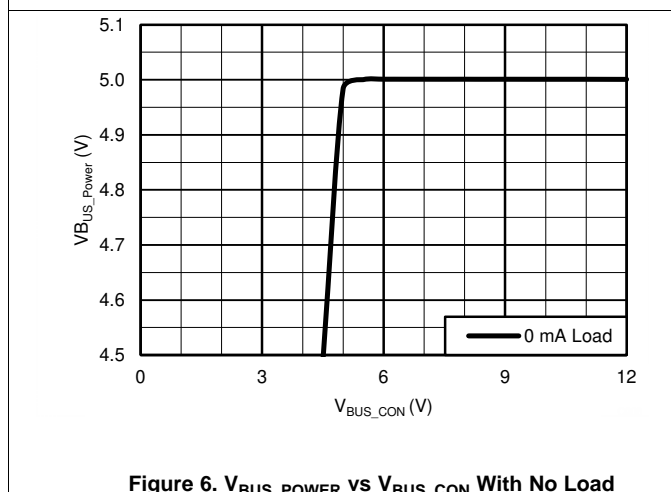
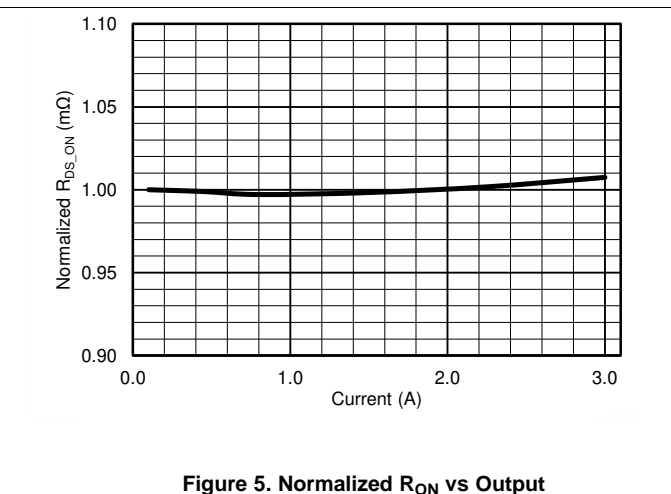
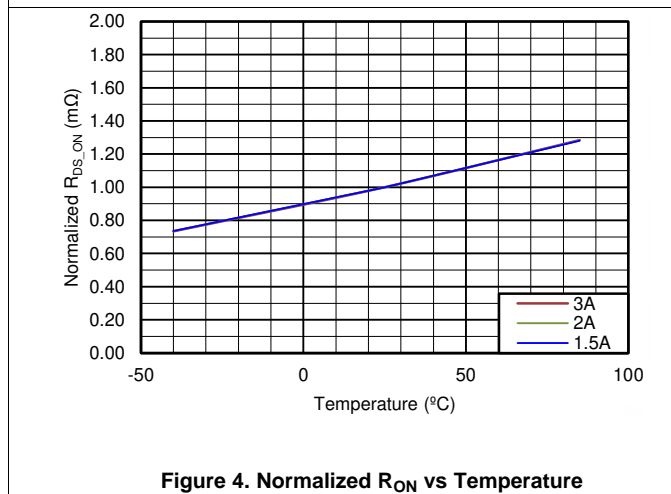
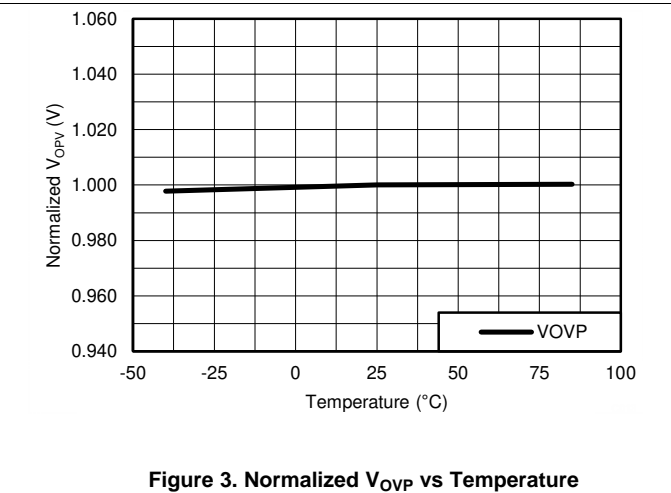
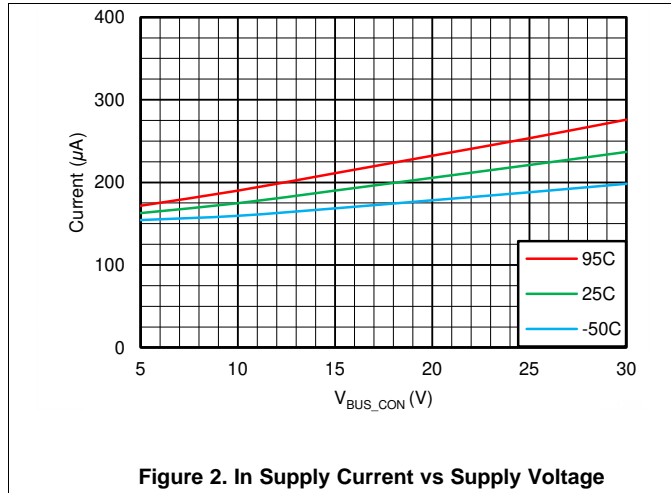
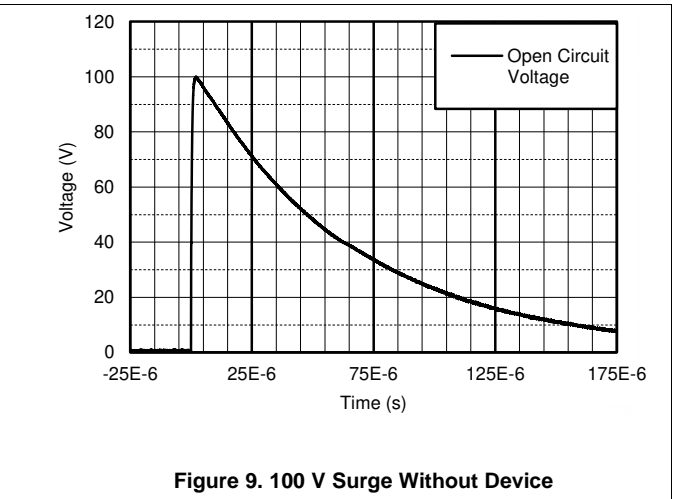
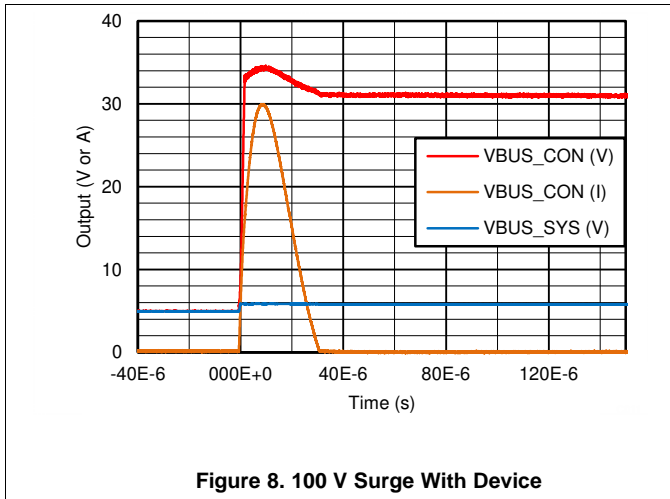


Figure 1. TPD1S514-1 Response to Set $\overline{\text{EN}}$ Low

7.12 TPD1S514-1 Typical Characteristics



TPD1S514-1 Typical Characteristics (continued)



8 Detailed Description

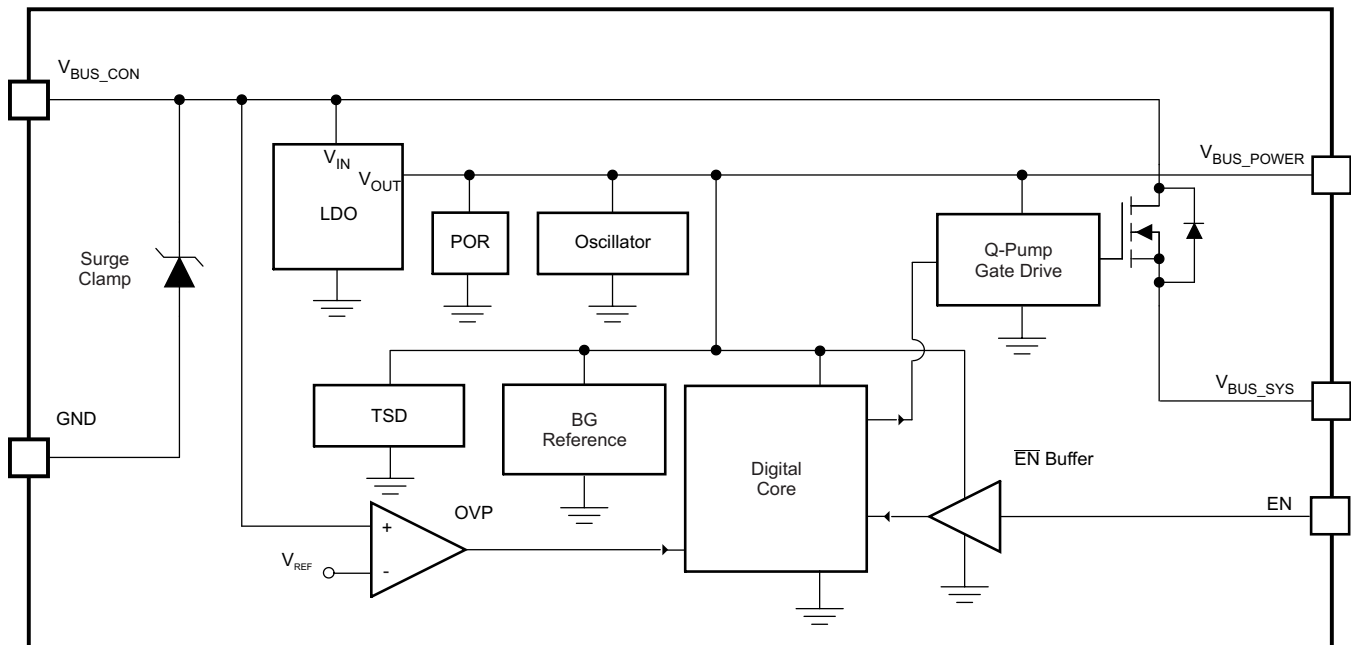
8.1 Overview

The TPD1S514 Family provides single-chip ESD, surge, and over voltage protection solutions for portable USB Charging and Host interfaces. Each device offers over voltage protection at the V_{BUS_CON} pin up to 30-V DC. The TPD1S514 Family offers an ESD and Precision Clamp for the V_{BUS_CON} pin, thus eliminating the need for external TVS clamp circuits in the application.

Each device has an internal oscillator and charge pump which controls turning ON the internal nFET switch. The internal oscillator controls the timers which enable the charge pump. If V_{BUS_CON} is less than V_{OVP} , the internal charge pump is enabled. After a 20 ms internal delay, the charge-pump starts-up, and turns ON the internal nFET switch through a soft start. If at any time V_{BUS_CON} rises above V_{OVP} , the nFET switch is turned OFF within 100 ns.

The TPD1S514 Family of devices also have a V_{BUS_POWER} pin which follows V_{BUS_CON} up to 4.9 V at 3 mA (except for TPD1S514, which follows V_{BUS_CON} up to 6.48 V, after which it is regulated to that voltage) to power the system from V_{BUS_CON} . In the case where the system battery state cannot power the system, voltage from an external charger can be provided to power the system. V_{BUS_POWER} is supplied by an always on LDO regulator supplied by V_{BUS_CON} . V_{BUS_POWER} output voltage remains regulated to 4.9 V (except for TPD1S514, which follows V_{BUS_CON} up to 6.48 V, after which it is regulated to that voltage) at up to 30-V DC on V_{BUS_CON} and during IEC 61000-4-5 surge events of up to 100 V open circuit voltage on V_{BUS_CON} .

8.2 Functional Block Diagram



8.3 Feature Description

8.3.1 Over Voltage Protection on V_{BUS_CON} up to 30 V DC

When the V_{BUS_CON} voltage rises above V_{OVP} , the internal nFET switch is turned OFF, removing power from the system side. V_{BUS_CON} can tolerate up to 30-V DC. The response to over voltage is very rapid, with the nFET switch turning off in less than 100 ns. When the V_{BUS_CON} voltage returns back to below $V_{OVP} - V_{HYS_OVP}$, the nFET switch is turned ON again after an internal delay of t_{OVP_RECOV} (t_{DELAY}). This time delay ensures that the V_{BUS_CON} supply has stabilized before turning the switch back on. After t_{OVP_RECOV} , the TPD1S514 Family device turns on the nFET through a soft start. Once the OVP condition is cleared the nFET is turned completely ON.

Feature Description (continued)

8.3.2 Precision OVP (< ±1% Tolerance)

1% OVP trip threshold accuracy allows use of the entire input charging range while protecting sensitive system-side components from over voltage conditions.

8.3.3 Low R_{ON} nFET Switch Supports Host and Charging Mode

The nFET switch has a total on resistance (R_{ON}) of 39 m Ω . This equates to a voltage drop of less than 140 mV when charging at the maximum 3.5 A current level. Such low R_{ON} helps provide maximum potential to the system as provided by an external charger or by the system when in Host Mode.

8.3.4 V_{BUS_POWER} , TPD1S514-1, TPD1S514-2, TPD1S514-3

The V_{BUS_POWER} pin provides up to 3 mA and 5 V for powering the system using V_{BUS_CON} . V_{BUS_POWER} follows V_{BUS_CON} after 3.5 V and up to the regulated 5 V. In the case where the system battery state cannot power the system, voltage from an external charger can power the system. V_{BUS_POWER} is supplied by an always on LDO regulator supplied by V_{BUS_CON} . The V_{BUS_POWER} output voltage remains regulated to 5 V at up to 30-V DC on V_{BUS_CON} and during IEC 61000-4-5 surge events of up to 100 V.

8.3.5 V_{BUS_POWER} , TPD1S514

The V_{BUS_POWER} pin provides up to 3 mA and 6.48 V for powering the system using V_{BUS_CON} . V_{BUS_POWER} follows V_{BUS_CON} after 3.5 V and up to the regulated 6.48 V. In the case where the system battery state cannot power the system, voltage from an external charger can be provided to power the system. V_{BUS_POWER} is supplied by an always on LDO regulator supplied by V_{BUS_CON} . The V_{BUS_POWER} output voltage remains regulated to 6.48 V at up to 30-V DC on V_{BUS_CON} and during IEC 61000-4-5 surge events of up to 100 V.

8.3.6 Powering the System When Battery is Discharged

There are two methods for powering the system under a dead battery condition. Case 1: The \overline{EN} pin can be tied to ground so that the nFET is always ON (when $V_{UVLO} < V_{BUS_CON} < V_{OVP}$) and an external charger can power V_{BUS} . Case 2: If \overline{EN} is controlled by a Power Management Unit (PMIC) or other logic, V_{BUS_POWER} can be used to power the PMIC. In Case 2, once the device is enabled, $t_{DELAY} + t_{SS}$, work together to meet the USB Inrush Current compliance.

8.3.7 ±15 kV IEC 61000-4-2 Level 4 ESD Protection

The V_{BUS_CON} pin can withstand ESD events up to ±15 kV Contact and Air-Gap. An ESD clamp diverts the current to ground.

8.3.8 100 V IEC 61000-4-5 μ s Surge Protection

The V_{BUS_CON} pin can withstand surge events up to 100 V open circuit voltage (V_{PP}), or 900 W. A Precision Clamp diverts the current to ground and active circuitry switches OFF the nFET earlier than 100 ns before an over voltage can get through to V_{BYS_SYS} . The ultra-fast response time of the TPD1S514 Family holds the voltage on V_{BUS_SYS} to less than V_{OVP} during surge events of up to 100 V_{PP} .

8.3.9 Startup and OVP Recovery Delay

Upon startup or recovering from an over voltage, the TPD1S514 Family of devices have a built in startup delay. An internal oscillator controls a charge pump to control the delay. Once a manufactured pre-programmed time, t_{DELAY} , has elapsed, the charge pump is enabled which turns ON the nFET. A manufactured pre-programmed soft start, t_{SS} , is used when turning ON the nFET. Once the device is enabled, these start delays, $t_{DELAY} + t_{SS}$, work together to meet the USB Inrush Current compliance.

8.3.10 Thermal Shutdown

The TPD1S514 Family has an over-temperature protection circuit to protect against system faults or improper use. The basic function of the thermal shutdown (TSD) circuit is to sense when the junction temperature has exceeded the absolute maximum rating and shuts down the device until the junction temperature has cooled to a safe level.

8.4 Device Functional Modes

8.4.1 Operation With $V_{BUS_CON} < 3.5\text{ V}$ (Minimum V_{BUS_CON})

The TPD1S514 Family operates normally (nFET ON) with input voltages above 3.5 V. The maximum UVLO voltage is 3.5 V and the device will operate at input voltages above 3.5 V. The typical UVLO voltage is 3.1 V and the device may operate at input voltages above that point. The device may also operate at input voltages as low as 2.7 V, the minimum UVLO. At input voltages between 0.6 V and 1.2 V, the state of output pins may not be controlled internally.

8.4.2 Operation With $V_{BUS_CON} > V_{OVP}$

The TPD1S514 Family operates normally (nFET ON) with input voltages below V_{OVP_min} . The typical OVP voltage is V_{OVP_TYP} and the device may operate at input voltages below that point. The device may also operate at input voltages as high as V_{OVP_MAX} .

Table 1. V_{OVP} Values

DEVICE NAME	V_{OVP}		
	MIN	TYP	MAX
TPD1S514-1	5.9	5.95	5.99
TPD1S514-2	9.9	9.98	10.05
TPD1S514-3	13.5	13.75	14
TPD1S514	5.9	5.95	5.99

8.4.3 OTG Mode

The TPD1S514 Family of devices UVLO and OVP voltages are referenced to V_{BUS_CON} voltage. In OTG mode, V_{BUS_SYS} is driving the V_{BUS_CON} . Under this situation, initially V_{BUS_CON} is powered through the body diode of the nFET by V_{BUS_SYS} . Once the UVLO threshold on V_{BUS_CON} is met, the nFET turns ON. If there is a short to ground on V_{BUS_CON} the OTG supply is expected to limit the current.

9 Application and Implementation

NOTE

Information in the following applications sections is not part of the TI component specification, and TI does not warrant its accuracy or completeness. TI's customers are responsible for determining suitability of components for their purposes. Customers should validate and test their design implementation to confirm system functionality.

9.1 Application Information

The TPD1S514 Family of devices offer V_{BUS} port protection implementing UVLO and OVP, with an LDO supplied V_{BUS_POWER} pin to regulate an output supply pin of 3 mA at 5 V (except for TPD1S514, which follows V_{BUS_CON} up to 6.48 V, after which it is regulated to that voltage). The V_{BUS_POWER} pin can be used to power the system from an external source on V_{BUS_CON} in case the system's battery state cannot power the system.

9.2 Typical Applications

9.2.1 TPD1S514-1 USB 2.0/3.0 Case 1: Always Enabled

The \overline{EN} pin can be tied to ground so that the nFET is ON when $V_{UVLO} < V_{BUS_CON} < V_{OVP}$ and an external charger can power V_{BUS} . V_{BUS_POWER} should be tied to ground with a 1- μ F capacitor for LDO stability. USB Inrush Current compliance tests will need to be handled by the rest of the system since the start delays t_{DELAY} and t_{SS} implement only after the device changes from disabled to enabled, or after any UVLO or OVP event.

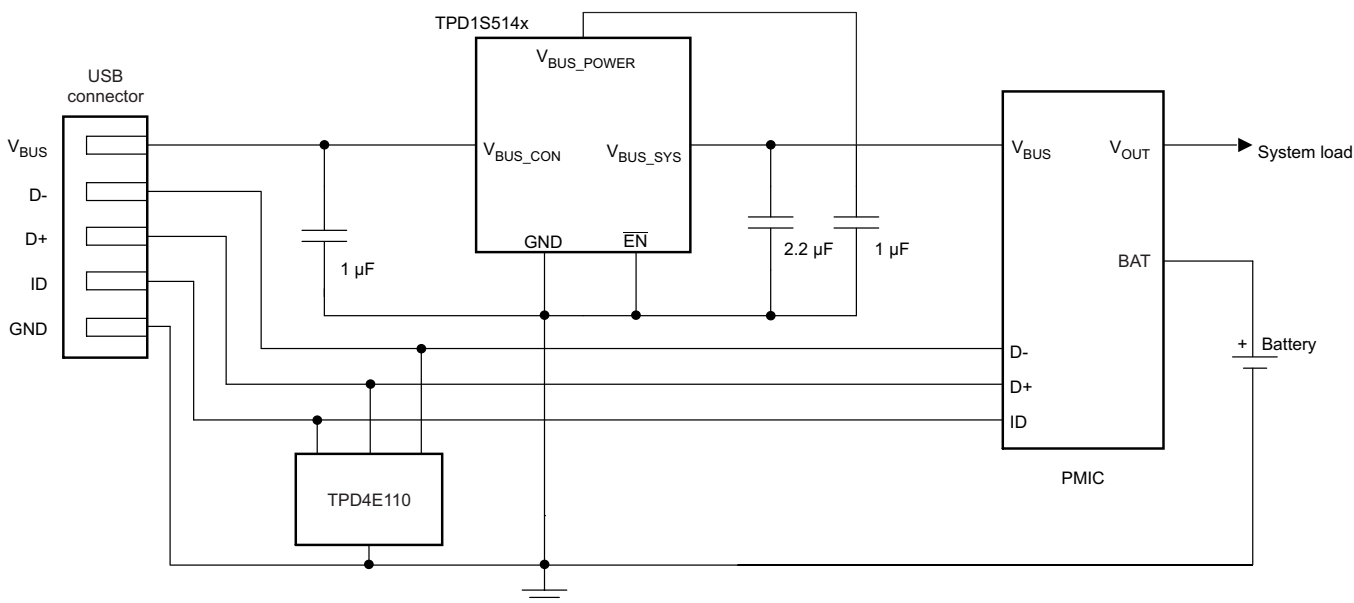


Figure 10. Always on, TPD1S514-1

9.2.1.1 Design Requirements

For this example, use the following input parameters from [Table 2](#).

Table 2. Design Parameters

DESIGN PARAMETERS	EXAMPLE VALUE
Signal range on V_{BUS_CON}	3.5 V – 5.9 V
Signal range on V_{BUS_SYS}	3.9 V – 5.9 V
Signal on \overline{EN}	Tie to system ground plane

9.2.1.2 Detailed Design Procedure

To begin the design process the designer needs to know the V_{BUS} voltage range.

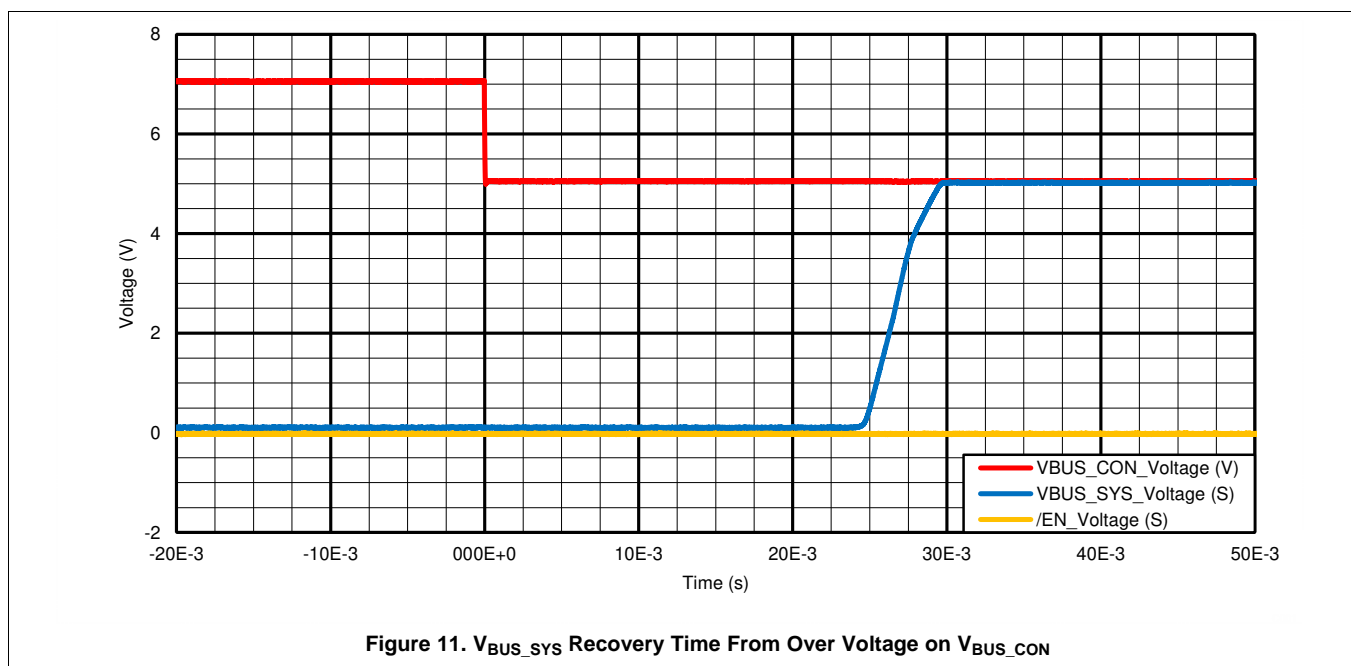
9.2.1.2.1 V_{BUS} Voltage Range

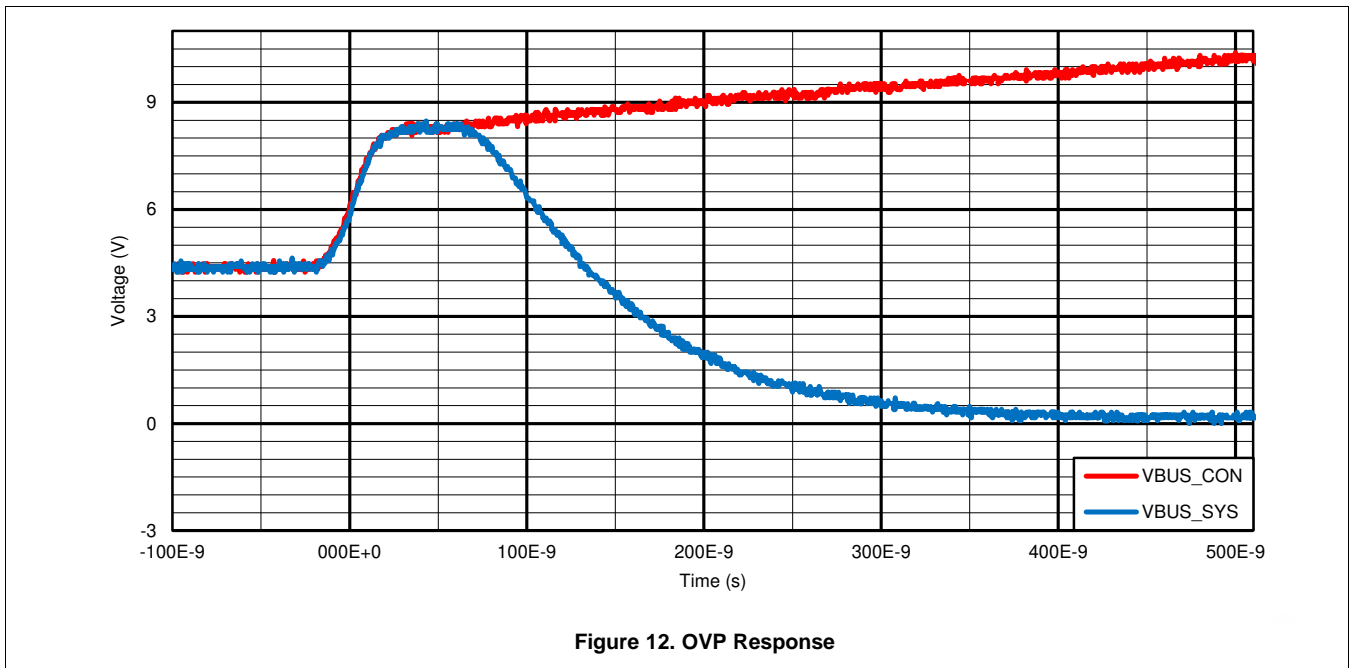
The UVLO trip-point is a maximum 3.5 V and the OVP trip-point is a minimum 5.9 V. This provides some headroom for the USB 2.0 specified minimum 4.4 V (Low-power) or 4.75 V (Full-power) and 5.25 V maximum; or the USB 3.0 specified minimum 4.45 V and 5.25 V maximum.

9.2.1.2.2 Discharged Battery

Connecting \overline{EN} to ground sets the part active at all times. OVP and UVLO are always active, even when the system battery is fully discharged. In the case of a discharged system battery, V_{BUS_SYS} can be used to power the system when a source with voltage between V_{UVLO} and V_{OVP} is attached to V_{BUS_CON} .

9.2.1.3 Application Curves





9.2.2 TPD1S514-1 USB 2.0/3.0 Case 2: PMIC Controlled \overline{EN}

The TPD1S514 Family offers more flexibility to system designers to power up the system during a dead battery condition. Refer to [Figure 13](#), the V_{BUS_POWER} pin supplies 4.95 V and 3 mA to power the PMIC in a dead battery condition. Regardless of \overline{EN} state, V_{BUS_POWER} is available to the PMIC. Utilizing this power, the PMIC can enable the TPD1S514 Family of devices when a valid V_{BUS_CON} voltage is present.

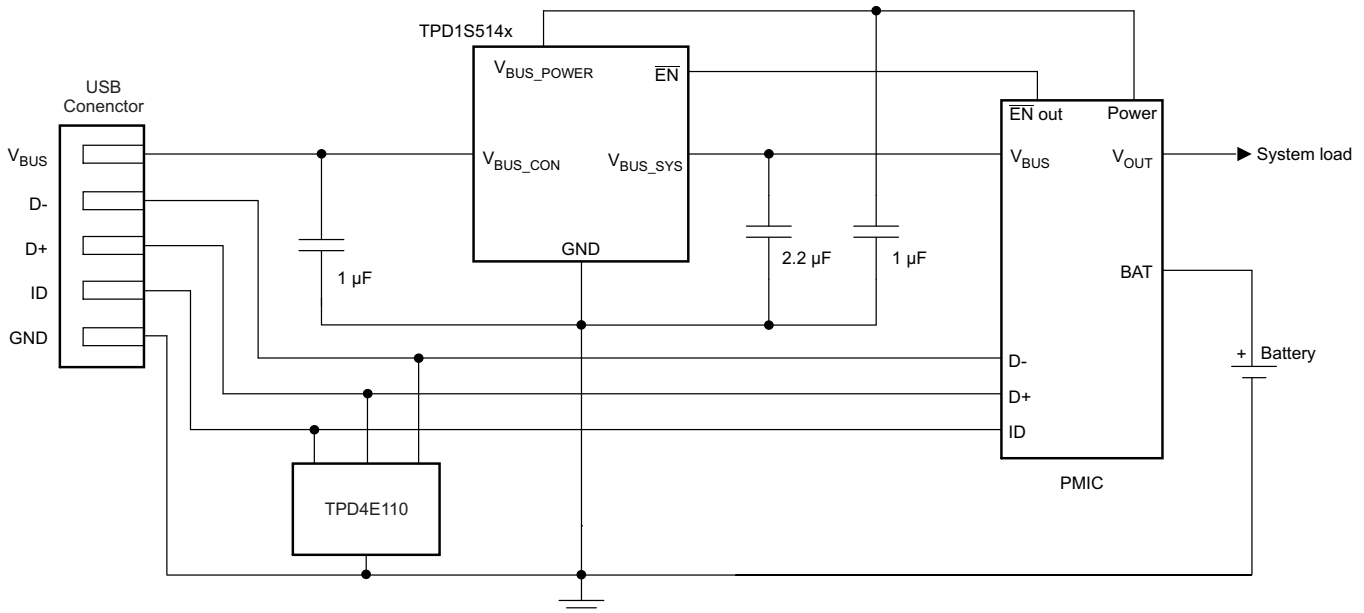


Figure 13. PMIC Controlled \overline{EN} , TPD1S514-1

9.2.2.1 Design Requirements

For this example, use the following table as input parameters:

Table 3. Design Parameters

DESIGN PARAMETERS	EXAMPLE VALUE
Signal range on V_{BUS_CON}	3.5 V – 5.9 V
Signal range on V_{BUS_SYS}	3.9 V – 5.9 V
Drive \overline{EN} low (enabled)	0 V – 0.8 V
Drive \overline{EN} high (disabled)	1.2 V – 6.0 V

9.2.2.2 Detailed Design Procedure

To begin the design process, some parameters must be decided upon. The designer needs to know the following:

- V_{BUS} voltage range
- PMIC power requirement

9.2.2.2.1 V_{BUS} Voltage Range

The UVLO trip-point is a maximum 3.5 V and the OVP trip-point is a minimum 5.9 V. This provides some headroom for the USB 2.0 specified minimum 4.4 V (Low-power) or 4.75 V (Full-power) and 5.25 V maximum; or the USB 3.0 specified minimum 4.45 V and 5.25 V maximum.

9.2.2.2.2 PMIC Power Requirement

The V_{BUS_POWER} pin can source up to 3 mA of current and maintain a minimum 4.8 V, 4.95 V typical. TPD1S514-1 design provides an LDO regulator supplied voltage source which can be used to provide power to a PMIC when its internal battery supplied power is unavailable. When selecting a matching PMIC, ensure its power requirement can be met by the V_{BUS_POWER} pin if designing for this scenario.

9.2.2.2.3 Discharged Battery

Powering the PMIC from V_{BUS_POWER} allows logic control of the \overline{EN} pin to set TPD1S514-1 active and begin charging the battery and powering up the rest of the system.

9.2.2.3 Application Curve

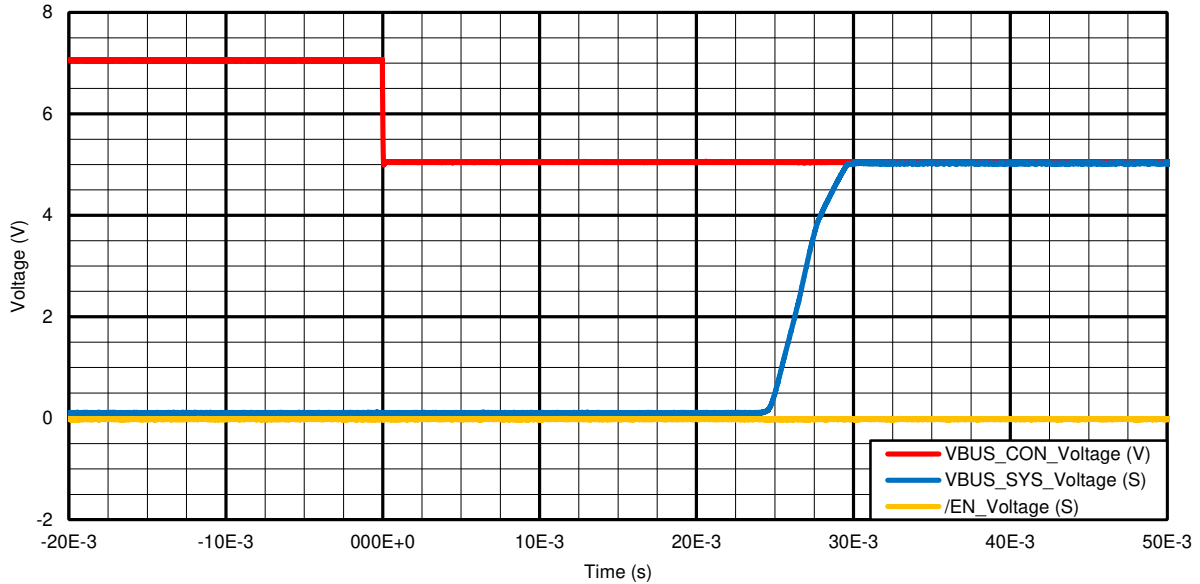


Figure 14. V_{BUS_SYS} Recovery Time From Over Voltage on V_{BUS_CON}

10 Power Supply Recommendations

The TPD1S514 Family is designed to receive power from a USB 3.0 (or lower) V_{BUS} source. It can operate normally (nFET ON) between a minimum 3.5 V and a maximum V_{OVP_MIN} V. Thus, the power supply (with a ripple of V_{RIPPLE}) requirement for the TPD1S514 Family of devices to be able to switch the nFET ON is between $3.5\text{ V} + V_{RIPPLE}$ and $V_{OVP_MIN} - V_{RIPPLE}$, where V_{OVP_MIN} is:

Table 4. V_{OP_MIN} Values

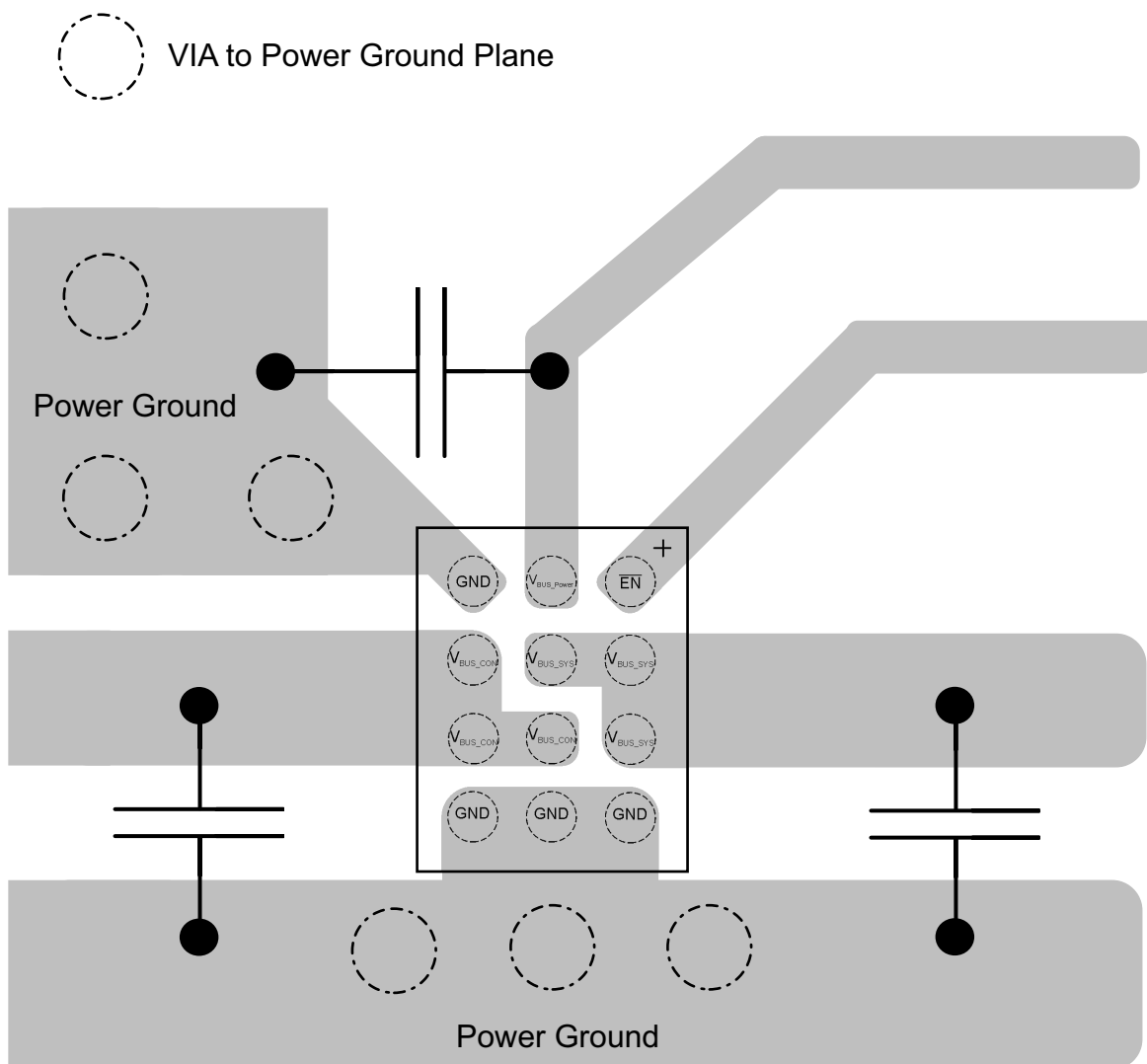
DEVICE NAME	V_{OVP_MIN}
TPD1S514-1	5.90 V
TPD1S514-2	9.9 V
TPD1S514-3	13.5 V
TPD1S514	5.90 V

11 Layout

11.1 Layout Guidelines

- The optimum placement is as close to the connector as possible.
 - EMI during an ESD event can couple from the trace being struck to other nearby unprotected traces, resulting in early system failures.
 - The PCB designer needs to minimize the possibility of EMI coupling by keeping any unprotected traces away from the protected traces which are between the TVS and the connector.
- Route the protected traces as straight as possible.
- Eliminate any sharp corners on the protected traces between the TVS and the connector by using rounded corners with the largest radii possible.
 - Electric fields tend to build up on corners, increasing EMI coupling.

11.2 Layout Example



When designing layout for the TPD1S514 Family, note that V_{BUS_CON} and V_{BUS_SYS} pins allow extra wide traces for good power delivery. In the example shown, these pins are routed with 50 mil (1.27 mm) wide traces. Place the V_{BUS_CON} , V_{BUS_SYS} , and V_{BUS_POWER} capacitors as close to the pins as possible. Use external and internal ground planes and stitch them together with VIAs as close to the GND pins of TPD1S514 as possible. This allows for a low impedance path to ground so that the device can properly dissipate any surge or ESD events.

Figure 15. Layout Recommendation

12 Device and Documentation Support

12.1 Community Resources

[TI E2E™ support forums](#) are an engineer's go-to source for fast, verified answers and design help — straight from the experts. Search existing answers or ask your own question to get the quick design help you need.

Linked content is provided "AS IS" by the respective contributors. They do not constitute TI specifications and do not necessarily reflect TI's views; see TI's [Terms of Use](#).

12.2 Trademarks

E2E is a trademark of Texas Instruments.
All other trademarks are the property of their respective owners.

12.3 Electrostatic Discharge Caution



This integrated circuit can be damaged by ESD. Texas Instruments recommends that all integrated circuits be handled with appropriate precautions. Failure to observe proper handling and installation procedures can cause damage.

ESD damage can range from subtle performance degradation to complete device failure. Precision integrated circuits may be more susceptible to damage because very small parametric changes could cause the device not to meet its published specifications.

12.4 Glossary

[SLYZ022](#) — *TI Glossary*.

This glossary lists and explains terms, acronyms, and definitions.

13 Mechanical, Packaging, and Orderable Information

The following pages include mechanical packaging and orderable information. This information is the most current data available for the designated devices. This data is subject to change without notice and revision of this document. For browser-based versions of this data sheet, refer to the left-hand navigation.

13.1 Package Option Addendum

13.1.1 Packaging Information

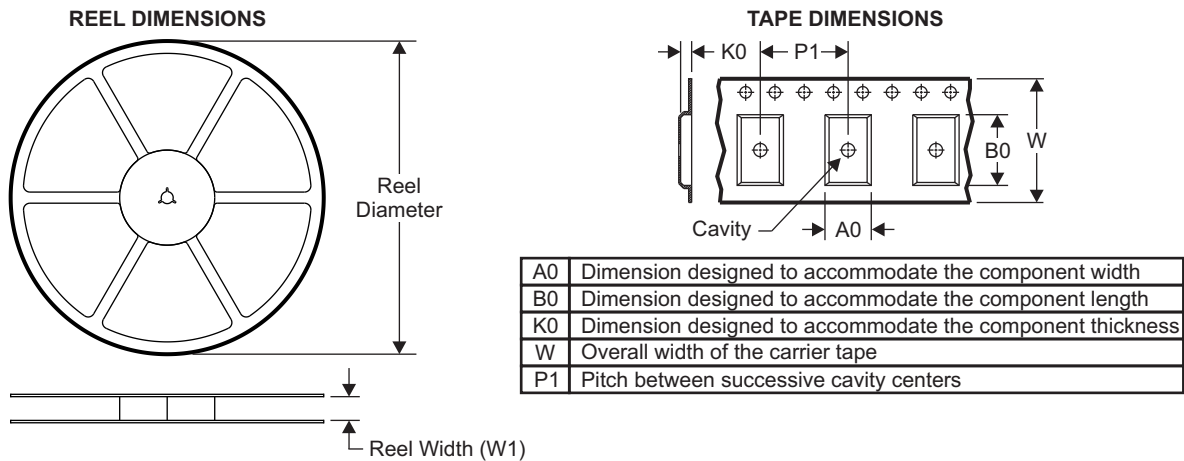
Orderable Device	Status ⁽¹⁾	Package Type	Package Drawing	Pins	Package Qty	Eco Plan ⁽²⁾	Lead/Ball Finish ⁽³⁾	MSL Peak Temp ⁽⁴⁾	Op Temp (°C)	Device Marking ⁽⁵⁾⁽⁶⁾
TPD1S514-1YZR	Active	DSBGA	YZ	12	3000	Green (RoHS & no Sb/Br)	SNAGCU	Level-1-260C-UNLIM	-40 to 85	RH5141
TPD1S514-2YZR	Active	DSBGA	YZ	12	3000	Green (RoHS & no Sb/Br)	SNAGCU	Level-1-260C-UNLIM	-40 to 85	RH5142
TPD1S514-3YZR	Active	DSBGA	YZ	12	3000	Green (RoHS & no Sb/Br)	SNAGCU	Level-1-260C-UNLIM	-40 to 85	RH5143

- (1) The marketing status values are defined as follows:
ACTIVE: Product device recommended for new designs.
LIFEBUY: TI has announced that the device will be discontinued, and a lifetime-buy period is in effect.
NRND: Not recommended for new designs. Device is in production to support existing customers, but TI does not recommend using this part in a new design.
PRE_PROD Unannounced device, not in production, not available for mass market, nor on the web, samples not available.
PREVIEW: Device has been announced but is not in production. Samples may or may not be available.
OBSOLETE: TI has discontinued the production of the device.
- (2) Eco Plan - The planned eco-friendly classification: Pb-Free (RoHS), Pb-Free (RoHS Exempt), or Green (RoHS & no Sb/Br) - please check <http://www.ti.com/productcontent> for the latest availability information and additional product content details.
TBD: The Pb-Free/Green conversion plan has not been defined.
Pb-Free (RoHS): TI's terms "Lead-Free" or "Pb-Free" mean semiconductor products that are compatible with the current RoHS requirements for all 6 substances, including the requirement that lead not exceed 0.1% by weight in homogeneous materials. Where designed to be soldered at high temperatures, TI Pb-Free products are suitable for use in specified lead-free processes.
Pb-Free (RoHS Exempt): This component has a RoHS exemption for either 1) lead-based flip-chip solder bumps used between the die and package, or 2) lead-based die adhesive used between the die and leadframe. The component is otherwise considered Pb-Free (RoHS compatible) as defined above.
Green (RoHS & no Sb/Br): TI defines "Green" to mean Pb-Free (RoHS compatible), and free of Bromine (Br) and Antimony (Sb) based flame retardants (Br or Sb do not exceed 0.1% by weight in homogeneous material)
- (3) Lead/Ball Finish - Orderable Devices may have multiple material finish options. Finish options are separated by a vertical ruled line. Lead/Ball Finish values may wrap to two lines if the finish value exceeds the maximum column width.
- (4) MSL, Peak Temp. -- The Moisture Sensitivity Level rating according to the JEDEC industry standard classifications, and peak solder temperature.
- (5) There may be additional marking, which relates to the logo, the lot trace code information, or the environmental category on the device
- (6) Multiple Device markings will be inside parentheses. Only one Device Marking contained in parentheses and separated by a "-" will appear on a device. If a line is indented then it is a continuation of the previous line and the two combined represent the entire Device Marking for that device.

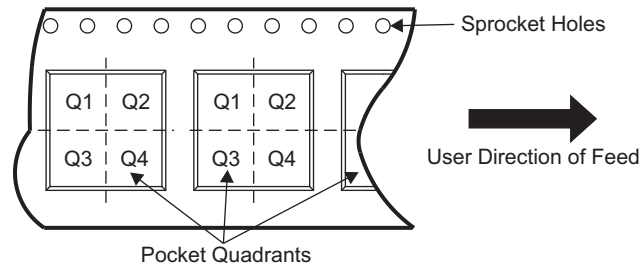
Important Information and Disclaimer: The information provided on this page represents TI's knowledge and belief as of the date that it is provided. TI bases its knowledge and belief on information provided by third parties, and makes no representation or warranty as to the accuracy of such information. Efforts are underway to better integrate information from third parties. TI has taken and continues to take reasonable steps to provide representative and accurate information but may not have conducted destructive testing or chemical analysis on incoming materials and chemicals. TI and TI suppliers consider certain information to be proprietary, and thus CAS numbers and other limited information may not be available for release.

In no event shall TI's liability arising out of such information exceed the total purchase price of the TI part(s) at issue in this document sold by TI to Customer on an annual basis.

13.1.2 Tape and Reel Information



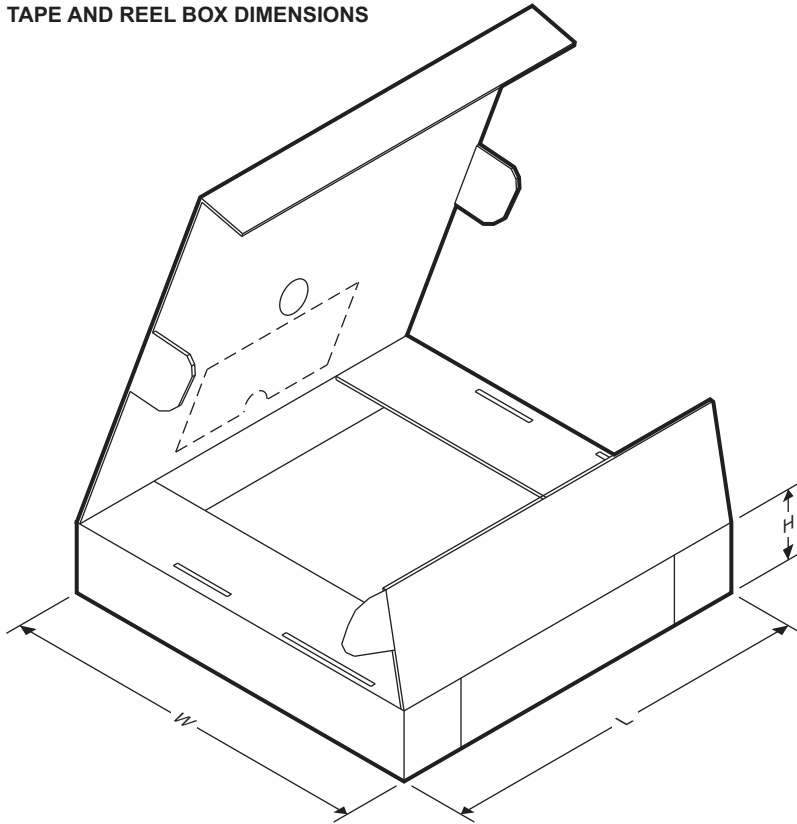
QUADRANT ASSIGNMENTS FOR PIN 1 ORIENTATION IN TAPE



Device	Package Type	Package Drawing	Pins	SPQ	Reel Diameter (mm)	Reel Width W1 (mm)	A0 (mm)	B0 (mm)	K0 (mm)	P1 (mm)	W (mm)	Pin1 Quadrant
TPD1S514-1YZR	DSBGA	YZ	12	3000	180.0	8.4	1.39	2.09	0.75	4.0	8.0	Q2
TPD1S514-2YZR	DSBGA	YZ	12	3000	180.0	8.4	1.39	2.09	0.75	4.0	8.0	Q2
TPD1S514-3YZR	DSBGA	YZ	12	3000	180.0	8.4	1.39	2.09	0.75	4.0	8.0	Q2

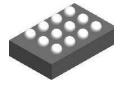
TPD1S514x

SLVSCF6F – APRIL 2014 – REVISED MAY 2019

www.ti.com
TAPE AND REEL BOX DIMENSIONS


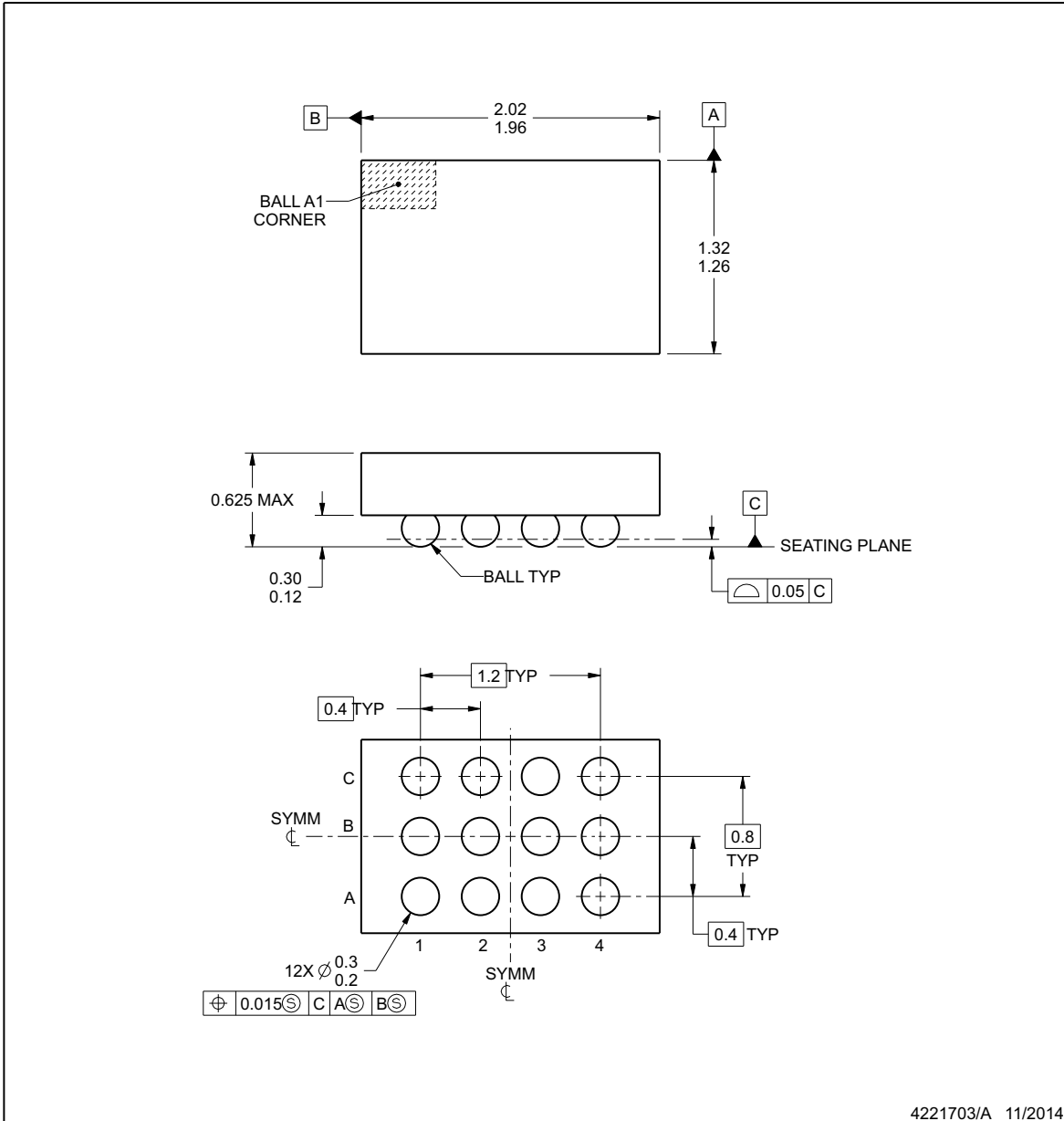
Device	Package Type	Package Drawing	Pins	SPQ	Length (mm)	Width (mm)	Height (mm)
TPD1S514-1YZR	DSBGA	YZ	12	3000	182.0	182.0	20.0
TPD1S514-2YZR	DSBGA	YZ	12	3000	182.0	182.0	20.0
TPD1S514-3YZR	DSBGA	YZ	12	3000	182.0	182.0	20.0

TPD1S514-xYZ
YZ0012-C01



PACKAGE OUTLINE
DSBGA - 0.625 mm max height

DIE SIZE BALL GRID ARRAY



NOTES:

1. All linear dimensions are in millimeters. Any dimensions in parenthesis are for reference only. Dimensioning and tolerancing per ASME Y14.5M.
2. This drawing is subject to change without notice.

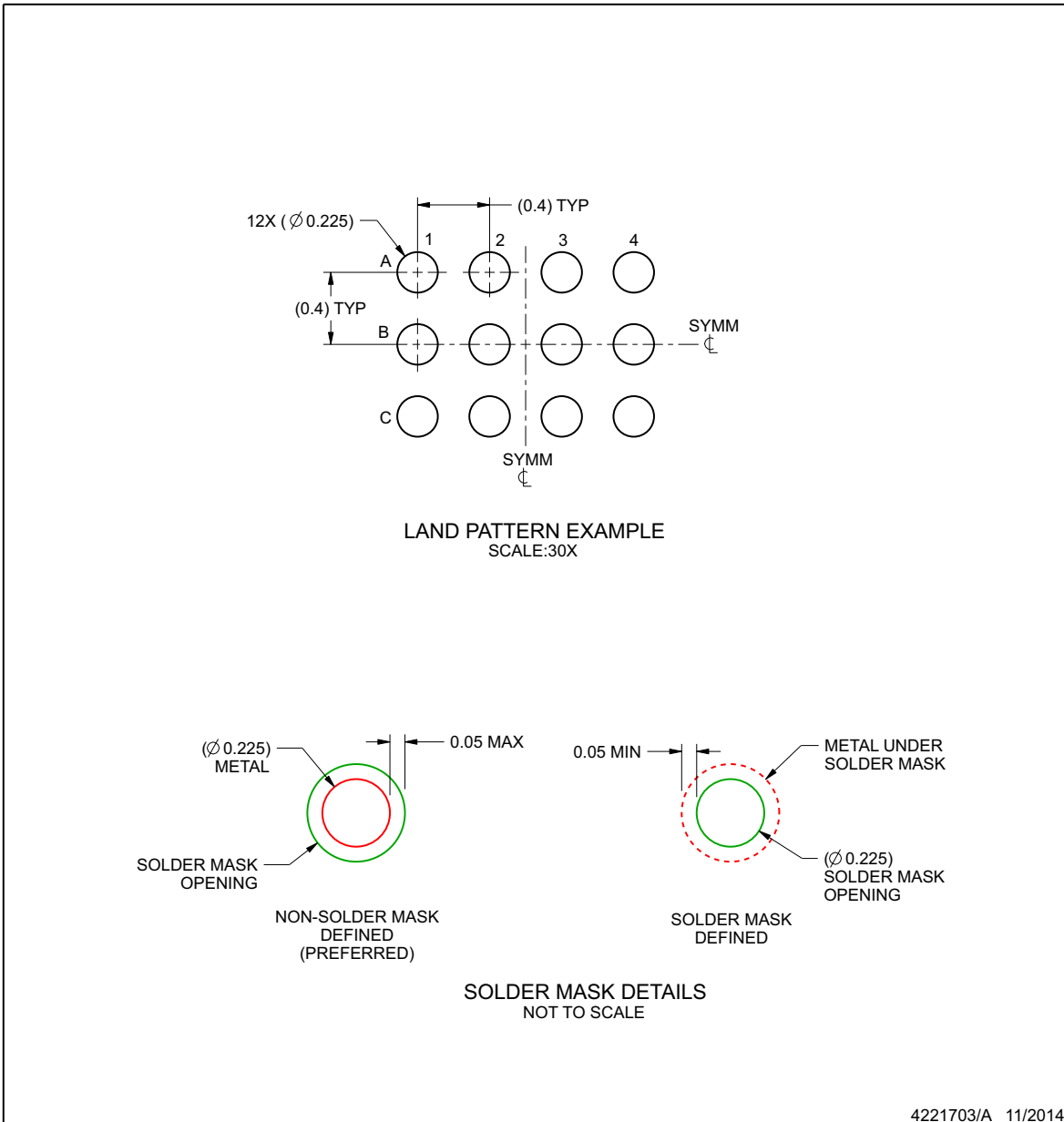
TPD1S514-xYZ

EXAMPLE BOARD LAYOUT

YZ0012-C01

DSBGA - 0.625 mm max height

DIE SIZE BALL GRID ARRAY



NOTES: (continued)

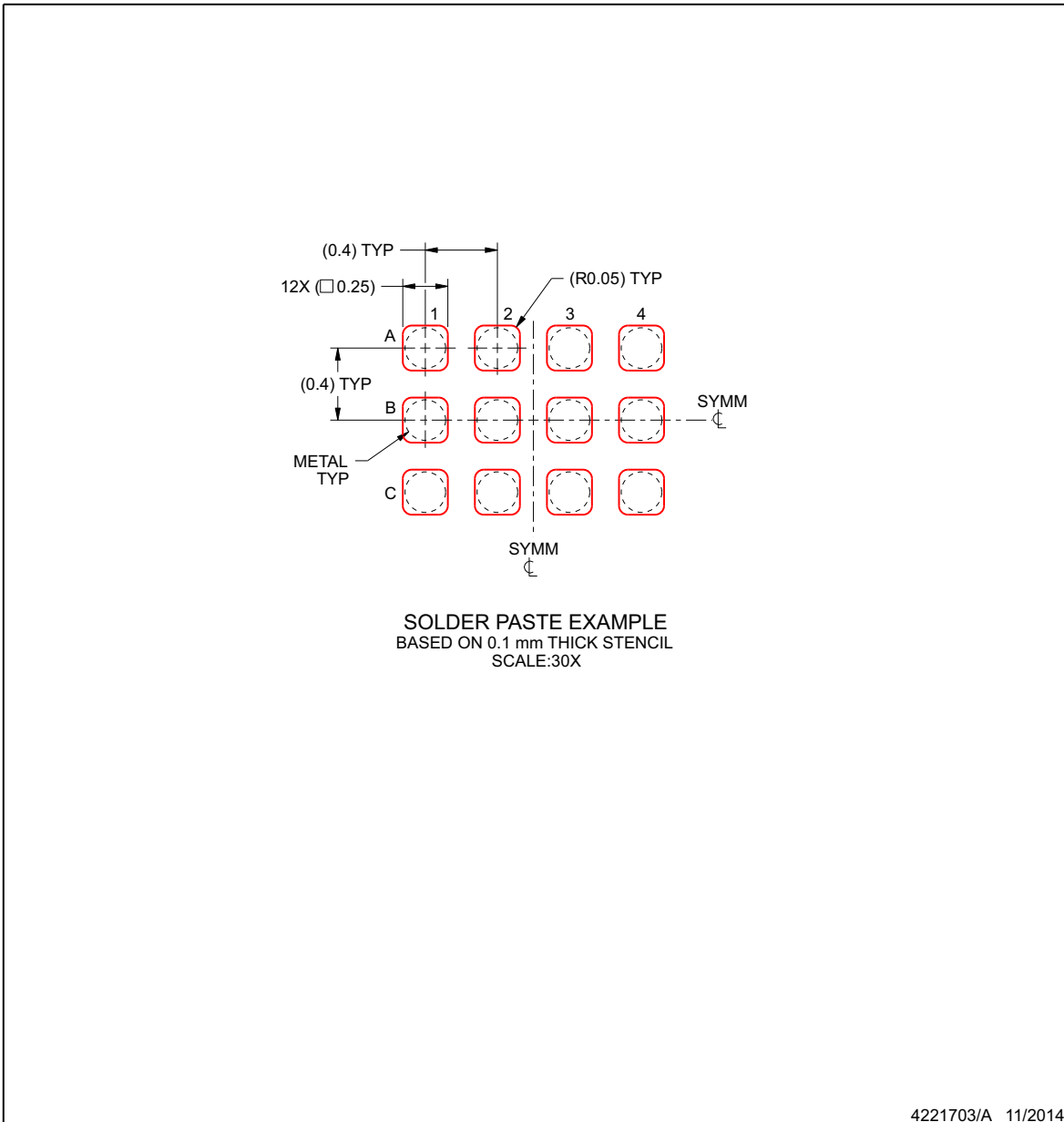
3. Final dimensions may vary due to manufacturing tolerance considerations and also routing constraints. For more information, see Texas Instruments literature number SBVA017 (www.ti.com/lit/sbva017).

TPD1S514-xYZ
YZ0012-C01

EXAMPLE STENCIL DESIGN

DSBGA - 0.625 mm max height

DIE SIZE BALL GRID ARRAY



NOTES: (continued)

- 4. Laser cutting apertures with trapezoidal walls and rounded corners may offer better paste release.

IMPORTANT NOTICE AND DISCLAIMER

TI PROVIDES TECHNICAL AND RELIABILITY DATA (INCLUDING DATASHEETS), DESIGN RESOURCES (INCLUDING REFERENCE DESIGNS), APPLICATION OR OTHER DESIGN ADVICE, WEB TOOLS, SAFETY INFORMATION, AND OTHER RESOURCES "AS IS" AND WITH ALL FAULTS, AND DISCLAIMS ALL WARRANTIES, EXPRESS AND IMPLIED, INCLUDING WITHOUT LIMITATION ANY IMPLIED WARRANTIES OF MERCHANTABILITY, FITNESS FOR A PARTICULAR PURPOSE OR NON-INFRINGEMENT OF THIRD PARTY INTELLECTUAL PROPERTY RIGHTS.

These resources are intended for skilled developers designing with TI products. You are solely responsible for (1) selecting the appropriate TI products for your application, (2) designing, validating and testing your application, and (3) ensuring your application meets applicable standards, and any other safety, security, or other requirements. These resources are subject to change without notice. TI grants you permission to use these resources only for development of an application that uses the TI products described in the resource. Other reproduction and display of these resources is prohibited. No license is granted to any other TI intellectual property right or to any third party intellectual property right. TI disclaims responsibility for, and you will fully indemnify TI and its representatives against, any claims, damages, costs, losses, and liabilities arising out of your use of these resources.

TI's products are provided subject to TI's Terms of Sale (www.ti.com/legal/termsofsale.html) or other applicable terms available either on ti.com or provided in conjunction with such TI products. TI's provision of these resources does not expand or otherwise alter TI's applicable warranties or warranty disclaimers for TI products.

Mailing Address: Texas Instruments, Post Office Box 655303, Dallas, Texas 75265
Copyright © 2020, Texas Instruments Incorporated