

## OPAx333 1.8-V, *micro*Power, CMOS Operational Amplifiers, Zero-Drift Series

### 1 Features

- Low Offset Voltage: 10  $\mu\text{V}$  (Maximum)
- Zero Drift: 0.05  $\mu\text{V}/^\circ\text{C}$  (Maximum)
- 0.01-Hz to 10-Hz Noise: 1.1  $\mu\text{V}_{\text{PP}}$
- Quiescent Current: 17  $\mu\text{A}$
- Single-Supply Operation
- Supply Voltage: 1.8 V to 5.5 V
- Rail-to-Rail Input/Output
- *micro*Size Packages: SC70 and SOT23

### 2 Applications

- Transducers
- Temperature Measurements
- Electronic Scales
- Medical Instrumentation
- Battery-Powered Instruments
- Handheld Test Equipment

### 3 Description

The OPAx333 series of CMOS operational amplifiers use a proprietary auto-calibration technique to simultaneously provide very low offset voltage (10  $\mu\text{V}$ , maximum) and near-zero drift over time and temperature. These miniature, high-precision, low quiescent current amplifiers offer high-impedance inputs that have a common-mode range 100 mV beyond the rails, and rail-to-rail output that swings within 50 mV of the rails. Single or dual supplies as low as 1.8 V ( $\pm 0.9$  V) and up to 5.5 V ( $\pm 2.75$  V) can be used. These devices are optimized for low-voltage, single-supply operation.

The OPAx333 family offers excellent CMRR without the crossover associated with traditional complementary input stages. This design results in superior performance for driving analog-to-digital converters (ADCs) without degradation of differential linearity.

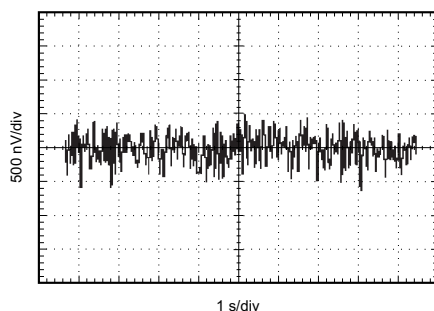
The OPA333 (single version) is available in the 5-pin SOT-23, SOT, and 8-pin SOIC packages, while the OPA2333 (dual version) is available in the 8-pin VSON, SOIC, and VSSOP packages. All versions are specified for operation from  $-40^\circ\text{C}$  to  $125^\circ\text{C}$ .

#### Device Information<sup>(1)</sup>

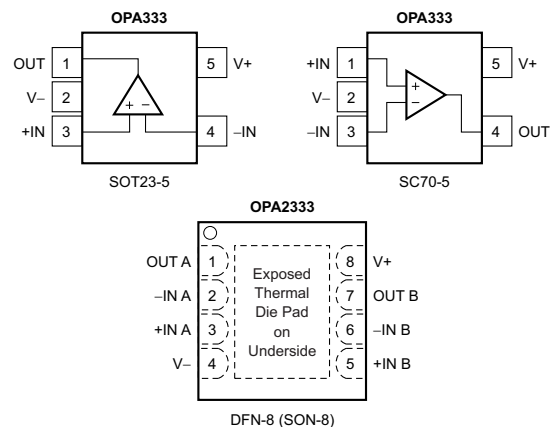
PART NUMBER	PACKAGE	BODY SIZE (NOM)
OPA333	SOT-23 (5)	2.90 mm x 1.60 mm
	SOT (5)	2.00 mm x 1.25 mm
	SOIC (8)	4.90 mm x 3.90 mm
OPA2333	VSON (8)	3.00 mm x 3.00 mm
	SOIC (8)	4.90 mm x 3.90 mm
	VSSOP (8)	3.00 mm x 3.00 mm

(1) For all available packages, see the orderable addendum at the end of the data sheet.

#### 0.1-Hz to 10-Hz Noise



#### OPAx333 Pinout Diagrams



## Table of Contents

<b>1 Features</b> ..... 1 <b>2 Applications</b> ..... 1 <b>3 Description</b> ..... 1 <b>4 Revision History</b> ..... 2 <b>5 Pin Configuration and Functions</b> ..... 3 <b>6 Specifications</b> ..... 5 6.1 Absolute Maximum Ratings ..... 5 6.2 ESD Ratings..... 5 6.3 Recommended Operating Conditions ..... 5 6.4 Thermal Information: OPA333 ..... 6 6.5 Thermal Information: OPA2333 ..... 6 6.6 Electrical Characteristics ..... 7 6.7 Typical Characteristics ..... 8 <b>7 Detailed Description</b> ..... 12 7.1 Overview ..... 12 7.2 Functional Block Diagram ..... 12 7.3 Feature Description ..... 12 7.4 Device Functional Modes..... 14	<b>8 Application and Implementation</b> ..... 15 8.1 Application Information..... 15 8.2 Typical Applications ..... 15 8.3 System Examples ..... 20 <b>9 Power Supply Recommendations</b> ..... 22 <b>10 Layout</b> ..... 23 10.1 Layout Guidelines ..... 23 10.2 Layout Example ..... 23 <b>11 Device and Documentation Support</b> ..... 24 11.1 Device Support..... 24 11.2 Documentation Support ..... 24 11.3 Related Links ..... 24 11.4 Community Resources..... 24 11.5 Trademarks ..... 24 11.6 Electrostatic Discharge Caution..... 24 11.7 Glossary ..... 25 <b>12 Mechanical, Packaging, and Orderable Information</b> ..... 25
---	---

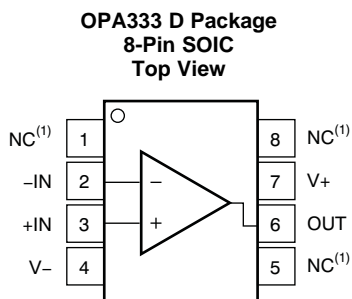
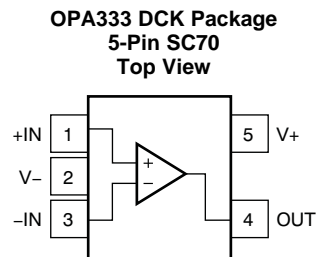
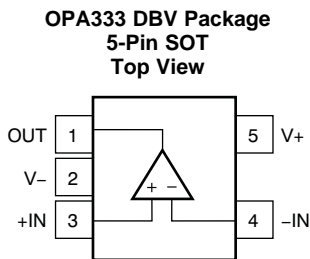
## 4 Revision History

NOTE: Page numbers for previous revisions may differ from page numbers in the current version.

Changes from Revision D (November 2013) to Revision E	Page
<ul style="list-style-type: none"> <li>• Added <i>Pin Configuration and Functions</i> section, <i>ESD Ratings</i> and <i>Thermal Information</i> tables, <i>Feature Description</i> section, <i>Device Functional Modes</i>, <i>Application and Implementation</i> section, <i>Power Supply Recommendations</i> section, <i>Layout</i> section, <i>Device and Documentation Support</i> section, and <i>Mechanical, Packaging, and Orderable Information</i> section</li> </ul>	1

Changes from Revision C (May 2007) to Revision D	Page
<ul style="list-style-type: none"> <li>• Changed data sheet format to most current standard look and feel</li> <li>• Added OPA2333 DFN-8 pinout to front page</li> <li>• Changed 2nd <i>signal input terminals</i> parameter in the Absolute Maximum Ratings from "voltage" to "current" (typo)</li> <li>• Added <a href="#">Table 1</a></li> </ul>	1 1 5 8

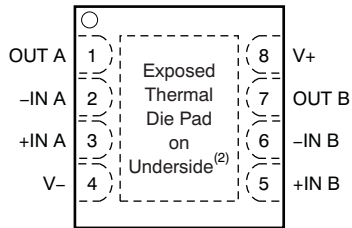
## 5 Pin Configuration and Functions



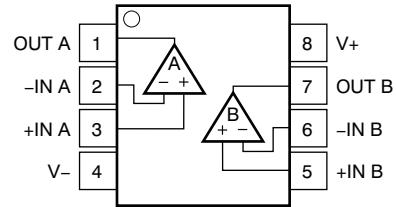
### Pin Functions: OPA333

NAME	PIN			I/O	DESCRIPTION
	SOIC	SOT	SC70		
+IN	3	3	1	I	Noninverting input
-IN	2	4	3	I	Inverting input
NC	1, 5, 8	—	—	—	No internal connection (can be left floating)
OUT	6	1	4	O	Output
V+	7	5	5	—	Positive (highest) power supply
V-	4	2	2	—	Negative (lowest) power supply

**OPA2333 DRB Package**  
**8-Pin VSON With Exposed Thermal Pad**  
**Top View**



**OPA2333 D or DGK Package**  
**8-Pin SOIC or VSSOP**  
**Top View**



### Pin Functions: OPA2333

NAME	PIN		I/O	DESCRIPTION
	VSON	SOIC, VSSOP		
+IN	—	—	I	Noninverting input
+IN A	3	3	I	Noninverting input, channel A
+IN B	5	5	I	Noninverting input, channel B
-IN	—	—	I	Inverting input
-IN A	2	2	I	Inverting input, channel A
-IN B	6	6	I	Inverting input, channel B
OUT	—	—	O	Output
OUT A	1	1	O	Output, channel A
OUT B	7	7	O	Output, channel B
V+	8	8	—	Positive (highest) power supply
V-	4	4	—	Negative (lowest) power supply

## 6 Specifications

### 6.1 Absolute Maximum Ratings

See <sup>(1)</sup>

		MIN	MAX	UNIT
Voltage	Supply	7		V
	Signal input terminals <sup>(2)</sup>	–0.3	(V+) + 0.3	
Current	Signal input terminals <sup>(2)</sup>	–1	1	mA
	Output short-circuit <sup>(3)</sup>	Continuous		
Operating junction temperature, T <sub>J</sub>			150	°C
Operating temperature, T <sub>A</sub>		–40	150	
Storage temperature, T <sub>stg</sub>		–65	150	

- (1) Stresses beyond those listed under *Absolute Maximum Ratings* may cause permanent damage to the device. These are stress ratings only, which do not imply functional operation of the device at these or any other conditions beyond those indicated under *Recommended Operating Conditions*. Exposure to absolute-maximum-rated conditions for extended periods may affect device reliability.
- (2) Input terminals are diode-clamped to the power-supply rails. Input signals that can swing more than 0.3 V beyond the supply rails should be current limited to 10 mA or less.
- (3) Short-circuit to ground, one amplifier per package.

### 6.2 ESD Ratings

		VALUE	UNIT
V <sub>(ESD)</sub>	Electrostatic discharge	Human body model (HBM), per ANSI/ESDA/JEDEC JS-001 <sup>(1)</sup>	±4000
		Charged-device model (CDM), per JEDEC specification JESD22-C101 <sup>(2)</sup>	±1000

- (1) JEDEC document JEP155 states that 500-V HBM allows safe manufacturing with a standard ESD control process.
- (2) JEDEC document JEP157 states that 250-V CDM allows safe manufacturing with a standard ESD control process.

### 6.3 Recommended Operating Conditions

over operating free-air temperature range (unless otherwise noted)

	MIN	MAX	UNIT
Supply voltage, V <sub>S</sub>	1.8	5.5	V
Specified temperature	–40	125	°C

## 6.4 Thermal Information: OPA333

THERMAL METRIC <sup>(1)</sup>		OPA333			UNIT
		D (SOIC)	DBV (SOT)	DCK (SC70)	
		8 PINS	5 PINS	5 PINS	
R <sub>θJA</sub>	Junction-to-ambient thermal resistance	140.1	220.8	298.4	°C/W
R <sub>θJC(top)</sub>	Junction-to-case (top) thermal resistance	89.8	97.5	65.4	°C/W
R <sub>θJB</sub>	Junction-to-board thermal resistance	80.6	61.7	97.1	°C/W
ψ <sub>JT</sub>	Junction-to-top characterization parameter	28.7	7.6	0.8	°C/W
ψ <sub>JB</sub>	Junction-to-board characterization parameter	80.1	61.1	95.5	°C/W
R <sub>θJC(bot)</sub>	Junction-to-case (bottom) thermal resistance	—	—	—	°C/W

(1) For more information about traditional and new thermal metrics, see the *Semiconductor and IC Package Thermal Metrics* application report, [SPRA953](#).

## 6.5 Thermal Information: OPA2333

THERMAL METRIC <sup>(1)</sup>		OPA2333			UNIT
		D (SOIC)	DGK (VSSOP)	DRB (VSON)	
		8 PINS	8 PINS	8 PINS	
R <sub>θJA</sub>	Junction-to-ambient thermal resistance	124.0	180.3	46.7	°C/W
R <sub>θJC(top)</sub>	Junction-to-case (top) thermal resistance	73.7	48.1	26.3	°C/W
R <sub>θJB</sub>	Junction-to-board thermal resistance	64.4	100.9	22.2	°C/W
ψ <sub>JT</sub>	Junction-to-top characterization parameter	18.0	2.4	1.6	°C/W
ψ <sub>JB</sub>	Junction-to-board characterization parameter	63.9	99.3	22.3	°C/W
R <sub>θJC(bot)</sub>	Junction-to-case (bottom) thermal resistance	—	—	10.3	°C/W

(1) For more information about traditional and new thermal metrics, see the *Semiconductor and IC Package Thermal Metrics* application report, [SPRA953](#).

## 6.6 Electrical Characteristics

At  $T_A = 25^\circ\text{C}$ ,  $R_L = 10\text{ k}\Omega$  connected to  $V_S / 2$ ,  $V_{CM} = V_S / 2$ , and  $V_{OUT} = V_S / 2$ , unless otherwise noted.

PARAMETER		TEST CONDITIONS	MIN	TYP	MAX	UNIT
<b>OFFSET VOLTAGE</b>						
$V_{OS}$	Input offset voltage	$V_S = 5\text{ V}$		2	10	$\mu\text{V}$
$dV_{OS}/dT$	Input offset voltage drift	$T_A = -40^\circ\text{C}$ to $125^\circ\text{C}$		0.02	0.05	$\mu\text{V}/^\circ\text{C}$
PSRR	Power-supply rejection ratio	$V_S = 1.8\text{ V}$ to $5.5\text{ V}$ , $T_A = -40^\circ\text{C}$ to $125^\circ\text{C}$		1	5	$\mu\text{V}/\text{V}$
	Long-term stability <sup>(1)</sup>			See note <sup>(1)</sup>		$\mu\text{V}$
	Channel separation, dc			0.1		$\mu\text{V}/\text{V}$
<b>INPUT BIAS CURRENT</b>						
$I_B$	Input bias current	$T_A = 25^\circ\text{C}$		$\pm 70$	$\pm 200$	$\text{pA}$
		$T_A = -40^\circ\text{C}$ to $125^\circ\text{C}$		$\pm 150$		
$I_{OS}$	Input offset current			$\pm 140$	$\pm 400$	
<b>NOISE</b>						
	Input voltage noise	$f = 0.01\text{ Hz}$ to $1\text{ Hz}$		0.3		$\mu\text{V}_{PP}$
		$f = 0.1\text{ Hz}$ to $10\text{ Hz}$		1.1		
$I_n$	Input current noise	$f = 10\text{ Hz}$		100		$\text{fA}/\sqrt{\text{Hz}}$
<b>INPUT VOLTAGE</b>						
$V_{CM}$	Common-mode voltage range		$(V-) - 0.1$		$(V+) + 0.1$	V
CMRR	Common-mode rejection ratio	$(V-) - 0.1\text{ V} < V_{CM} < (V+) + 0.1\text{ V}$ , $T_A = -40^\circ\text{C}$ to $125^\circ\text{C}$	106	130		dB
<b>INPUT CAPACITANCE</b>						
	Differential			2		pF
	Common-mode			4		pF
<b>OPEN-LOOP GAIN</b>						
$A_{OL}$	Open-loop voltage gain	$(V-) + 100\text{ mV} < V_O < (V+) - 100\text{ mV}$ , $R_L = 10\text{ k}\Omega$ , $T_A = -40^\circ\text{C}$ to $125^\circ\text{C}$	106	130		dB
<b>FREQUENCY RESPONSE</b>						
GBW	Gain-bandwidth product	$C_L = 100\text{ pF}$		350		kHz
SR	Slew rate	$G = +1$		0.16		$\text{V}/\mu\text{s}$
<b>OUTPUT</b>						
	Voltage output swing from rail	$R_L = 10\text{ k}\Omega$		30	50	mV
		$R_L = 10\text{ k}\Omega$ , $T_A = -40^\circ\text{C}$ to $125^\circ\text{C}$			70	
$I_{SC}$	Short-circuit current			$\pm 5$		mA
$C_L$	Capacitive load drive			See <a href="#">Typical Characteristics</a>		
	Open-loop output impedance	$f = 350\text{ kHz}$ , $I_O = 0\text{ A}$		2		k $\Omega$
<b>POWER SUPPLY</b>						
$V_S$	Specified voltage range		1.8		5.5	V
$I_Q$	Quiescent current per amplifier	$I_O = 0\text{ A}$		17	25	$\mu\text{A}$
		$T_A = -40^\circ\text{C}$ to $125^\circ\text{C}$			28	
	Turn-on time	$V_S = +5\text{ V}$		100		$\mu\text{s}$
<b>TEMPERATURE</b>						
$T_A$	Specified range		-40		125	$^\circ\text{C}$
	Operating range		-40		150	$^\circ\text{C}$
$T_{stg}$	Storage range		-65		150	$^\circ\text{C}$

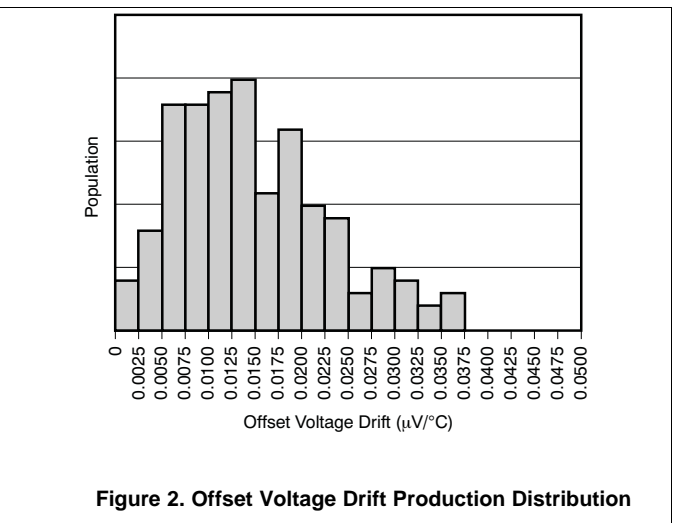
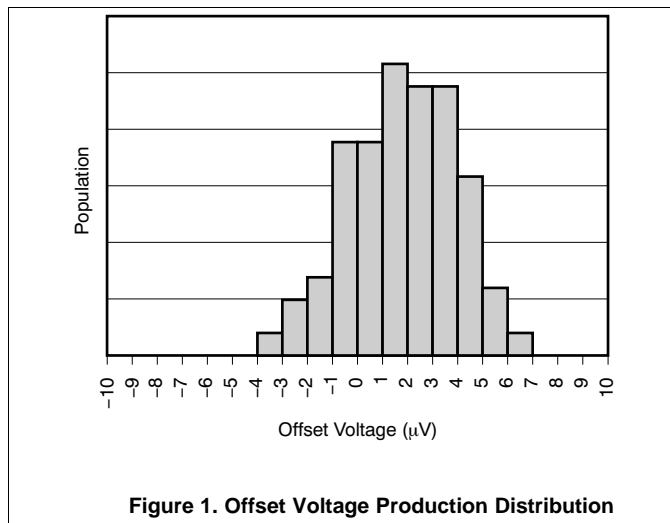
(1) 300-hour life test at  $150^\circ\text{C}$  demonstrated randomly distributed variation of approximately  $1\text{ }\mu\text{V}$ .

## 6.7 Typical Characteristics

**Table 1. List of Typical Characteristics**

TITLE	FIGURE
Offset Voltage Production Distribution	Figure 1
Offset Voltage Drift Production Distribution	Figure 2
Open-Loop Gain vs Frequency	Figure 3
Common-Mode Rejection Ratio vs Frequency	Figure 4
Power-Supply Rejection Ratio vs Frequency	Figure 5
Output Voltage Swing vs Output Current	Figure 6
Input Bias Current vs Common-Mode Voltage	Figure 7
Input Bias Current vs Temperature	Figure 8
Quiescent Current vs Temperature	Figure 9
Large-Signal Step Response	Figure 10
Small-Signal Step Response	Figure 11
Positive Overvoltage Recovery	Figure 12
Negative Overvoltage Recovery	Figure 13
Settling Time vs Closed-Loop Gain	Figure 14
Small-Signal Overshoot vs Load Capacitance	Figure 15
0.1-Hz to 10-Hz Noise	Figure 16
Current and Voltage Noise Spectral Density vs Frequency	Figure 17

At  $T_A = 25^\circ\text{C}$ ,  $V_S = 5\text{ V}$ , and  $C_L = 0\text{ pF}$ , unless otherwise noted.





At  $T_A = 25^\circ\text{C}$ ,  $V_S = 5\text{ V}$ , and  $C_L = 0\text{ pF}$ , unless otherwise noted.

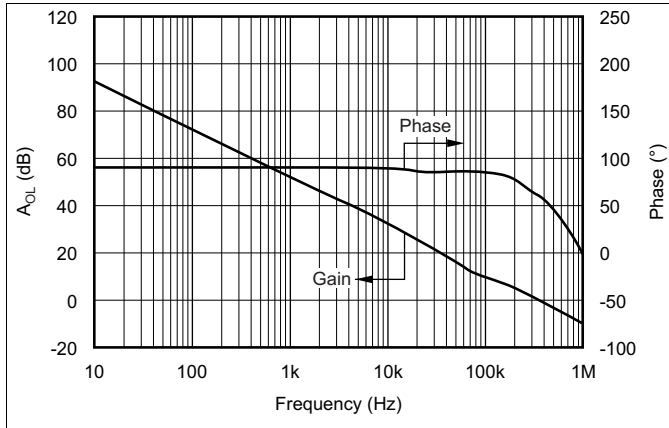


Figure 3. Open-Loop Gain and Phase vs Frequency

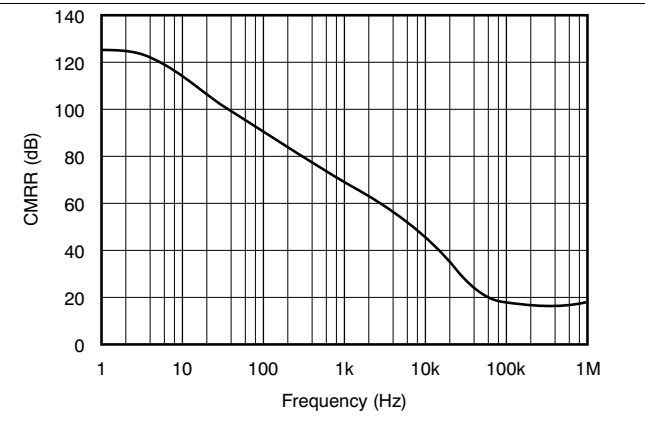


Figure 4. Common-Mode Rejection Ratio vs Frequency

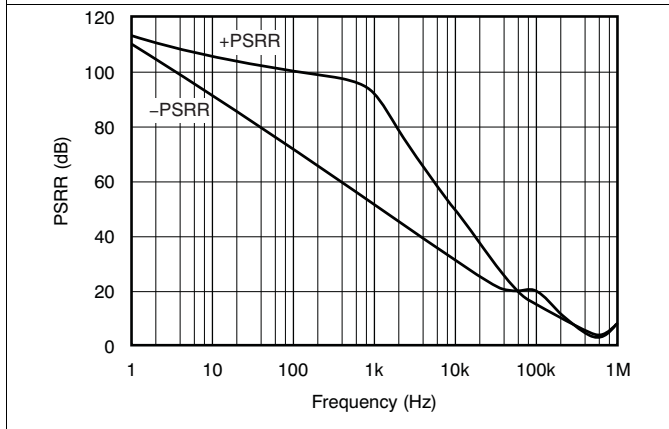


Figure 5. Power-Supply Rejection Ratio vs Frequency

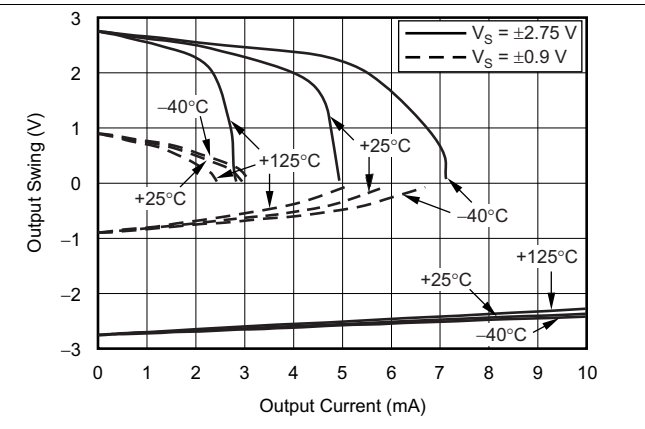


Figure 6. Output Voltage Swing vs Output Current

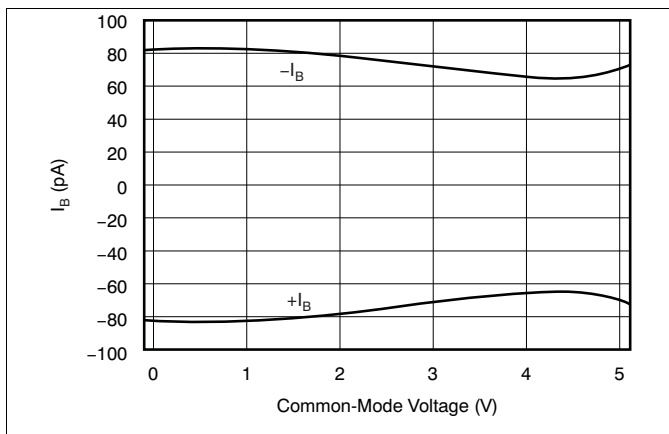


Figure 7. Input Bias Current vs Common-Mode Voltage

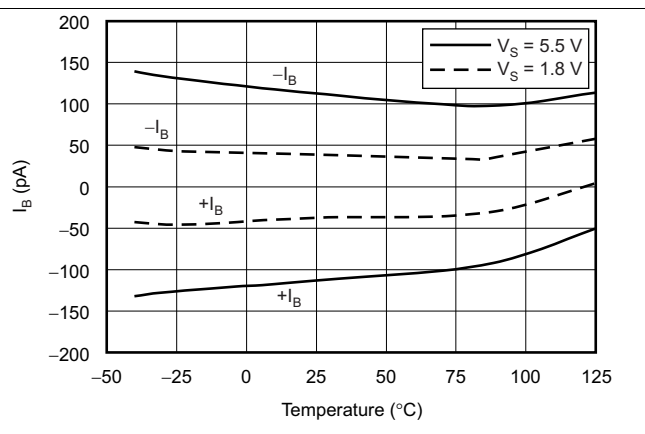


Figure 8. Input Bias Current vs Temperature

# OPA333, OPA2333

SBOS351E – MARCH 2006 – REVISED DECEMBER 2015

www.ti.com

At  $T_A = 25^\circ\text{C}$ ,  $V_S = 5\text{ V}$ , and  $C_L = 0\text{ pF}$ , unless otherwise noted.

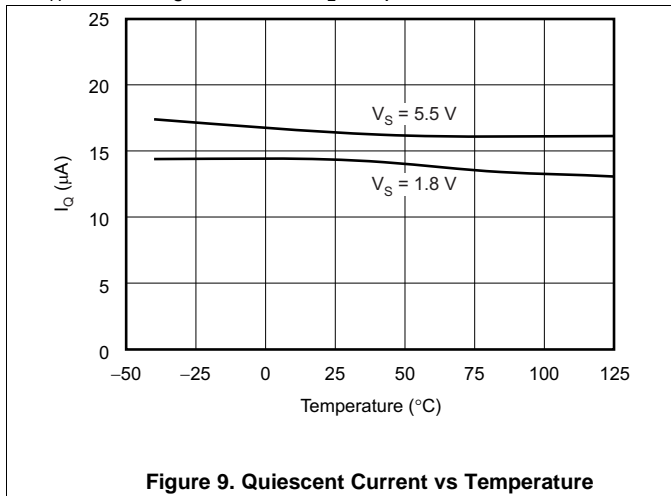


Figure 9. Quiescent Current vs Temperature

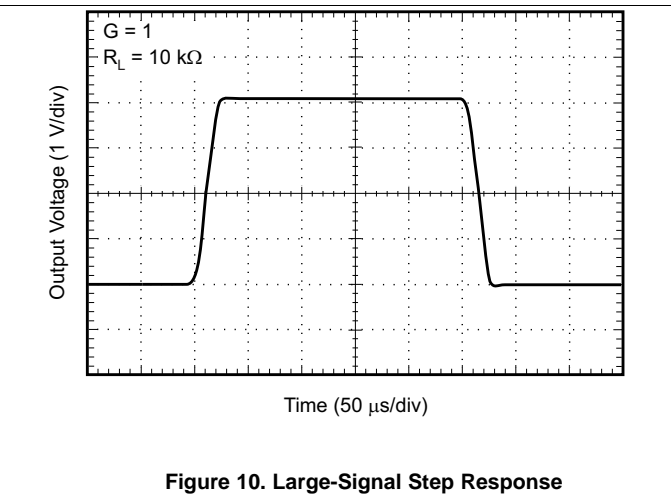


Figure 10. Large-Signal Step Response

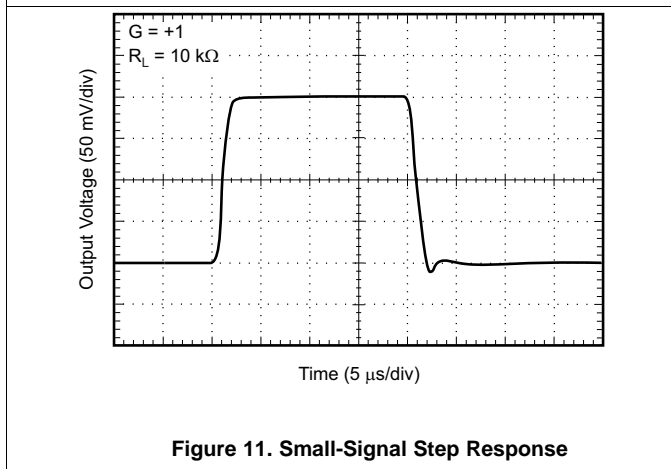


Figure 11. Small-Signal Step Response

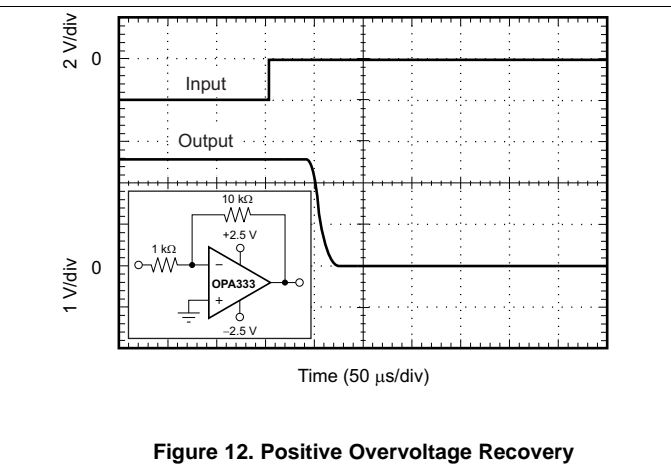


Figure 12. Positive Overvoltage Recovery

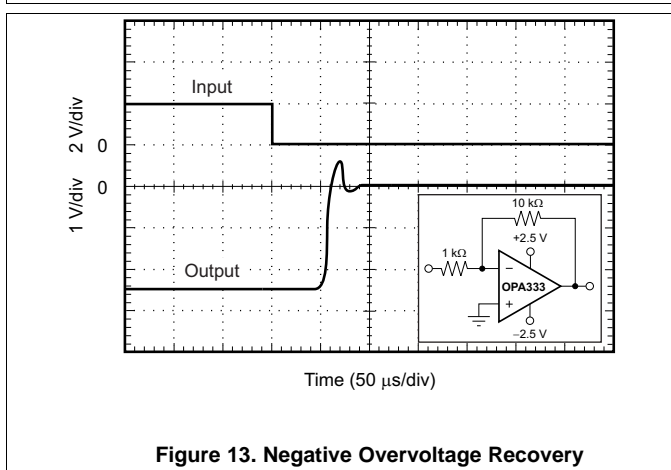


Figure 13. Negative Overvoltage Recovery

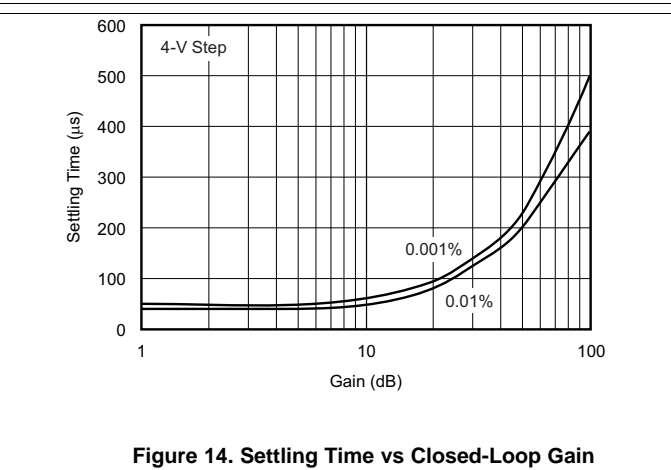
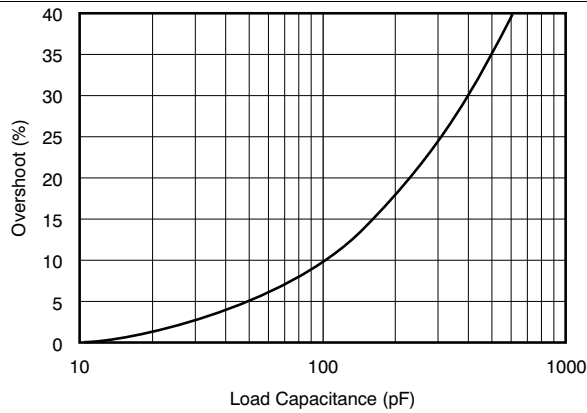
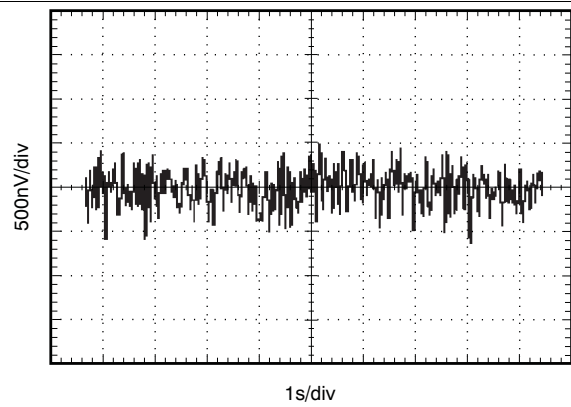


Figure 14. Settling Time vs Closed-Loop Gain

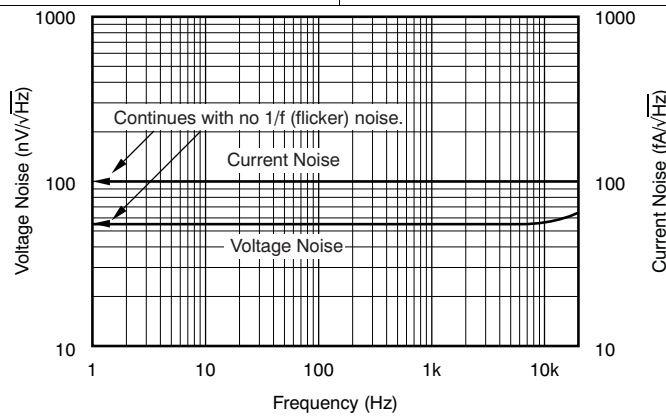
At  $T_A = 25^\circ\text{C}$ ,  $V_S = 5\text{ V}$ , and  $C_L = 0\text{ pF}$ , unless otherwise noted.



**Figure 15. Small-Signal Overshoot vs Load Capacitance**



**Figure 16. 0.1-Hz to 10-Hz Noise**



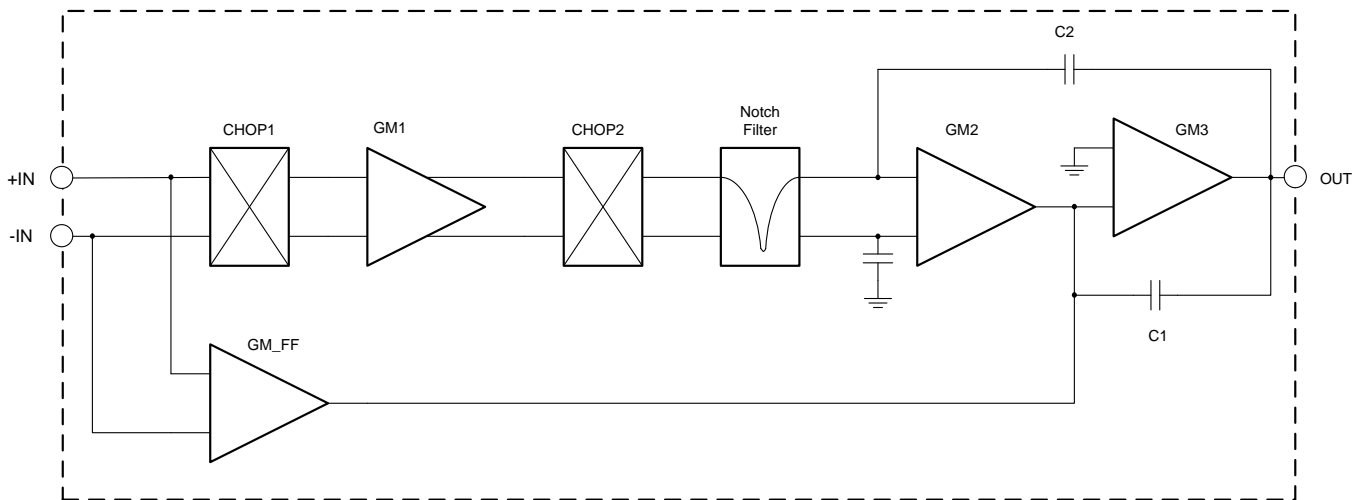
**Figure 17. Current and Voltage Noise Spectral Density vs Frequency**

## 7 Detailed Description

### 7.1 Overview

The OPAx333 is a family of Zero-Drift, low-power, rail-to-rail input and output operational amplifiers. These devices operate from 1.8 V to 5.5 V, are unity-gain stable, and are suitable for a wide range of general-purpose applications. The Zero-Drift architecture provides ultra low offset voltage and near-zero offset voltage drift.

### 7.2 Functional Block Diagram



### 7.3 Feature Description

The OPA333 and OPA2333 are unity-gain stable and free from unexpected output phase reversal. These devices use a proprietary auto-calibration technique to provide low offset voltage and very low drift over time and temperature. For lowest offset voltage and precision performance, optimize circuit layout and mechanical conditions. Avoid temperature gradients that create thermoelectric (Seebeck) effects in the thermocouple junctions formed from connecting dissimilar conductors. Cancel these thermally-generated potentials by assuring they are equal on both input terminals. Other layout and design considerations include:

- Use low thermoelectric-coefficient conditions (avoid dissimilar metals).
- Thermally isolate components from power supplies or other heat sources.
- Shield operational amplifier and input circuitry from air currents, such as cooling fans.

Following these guidelines reduces the likelihood of junctions being at different temperatures, which can cause thermoelectric voltages of 0.1  $\mu\text{V}/^\circ\text{C}$  or higher, depending on materials used.

#### 7.3.1 Operating Voltage

The OPA333 and OPA2333 operational amplifiers operate over a power-supply range of 1.8 V to 5.5 V ( $\pm 0.9$  V to  $\pm 2.75$  V). Parameters that vary over supply voltage or temperature are shown in the [Typical Characteristics](#) section.

#### CAUTION

Supply voltages higher than +7 V (absolute maximum) can permanently damage the device.

## Feature Description (continued)

### 7.3.2 Input Voltage

The OPA333 and OPA2333 input common-mode voltage range extends 0.1 V beyond the supply rails. The OPA333 is designed to cover the full range without the troublesome transition region found in some other rail-to-rail amplifiers.

Typically, input bias current is approximately 70 pA; however, input voltages that exceed the power supplies can cause excessive current to flow into or out of the input pins. Momentary voltages greater than the power supply can be tolerated if the input current is limited to 10 mA. This limitation is easily accomplished with an input resistor, as shown in Figure 18.

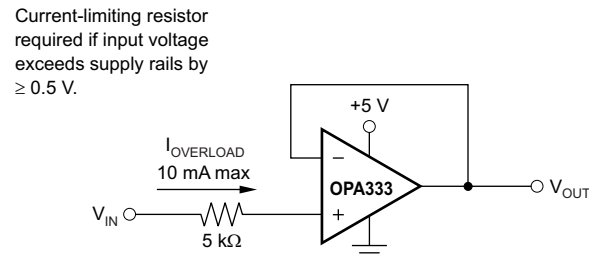


Figure 18. Input Current Protection

### 7.3.3 Internal Offset Correction

The OPA333 and OPA2333 operational amplifiers use an auto-calibration technique with a time-continuous 350-kHz operational amplifier in the signal path. This amplifier is zero-corrected every 8  $\mu$ s using a proprietary technique. Upon power up, the amplifier requires approximately 100  $\mu$ s to achieve specified  $V_{OS}$  accuracy. This design has no aliasing or flicker noise.

### 7.3.4 Achieving Output Swing to the Op Amp Negative Rail

Some applications require output voltage swings from 0 V to a positive full-scale voltage (such as 2.5 V) with excellent accuracy. With most single-supply operational amplifiers, problems arise when the output signal approaches 0 V, near the lower output swing limit of a single-supply operational amplifier. A good, single-supply operational amplifier may swing close to single-supply ground, but does not reach ground. The output of the OPA333 and OPA2333 can be made to swing to, or slightly below, ground on a single-supply power source. This swing is achieved with the use of another resistor and an additional, more negative power supply than the operational amplifier negative supply. A pulldown resistor can be connected between the output and the additional negative supply to pull the output down below the value that the output would otherwise achieve, as shown in Figure 19.

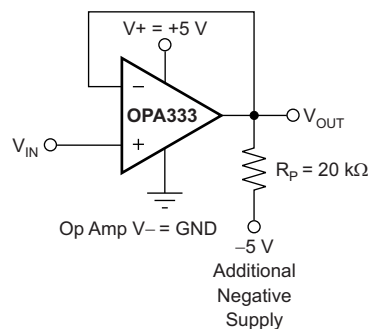


Figure 19.  $V_{OUT}$  Range to Ground

## Feature Description (continued)

The OPA333 and OPA2333 have an output stage that allows the output voltage to be pulled to the negative supply rail, or slightly below, using the technique previously described. This technique only works with some types of output stages. The OPA333 and OPA2333 are characterized to perform with this technique; the recommended resistor value is approximately 20 k $\Omega$ .

---

### NOTE

This configuration increases the current consumption by several hundreds of microamps.

---

Accuracy is excellent down to 0 V and as low as  $-2$  mV. Limiting and nonlinearity occur below  $-2$  mV, but excellent accuracy returns after the output is again driven above  $-2$  mV. Lowering the resistance of the pulldown resistor allows the operational amplifier to swing even further below the negative rail. Resistances as low as 10 k $\Omega$  can be used to achieve excellent accuracy down to  $-10$  mV.

### 7.3.5 DFN Package

The OPA2333 is offered in an DFN-8 package (also known as *SOM*). The DFN is a QFN package with lead contacts on only two sides of the bottom of the package. This leadless package maximizes board space and enhances thermal and electrical characteristics through an exposed pad.

DFN packages are physically small, have a smaller routing area, improved thermal performance, and improved electrical parasitics. Additionally, the absence of external leads eliminates bent-lead issues.

The DFN package can be easily mounted using standard PCB assembly techniques. See Application Reports [SLUA271](#), *QFN/SON PCB Attachment* and [SCBA017](#), *Quad Flatpack No-Lead Logic Packages*, both are available for download at [www.ti.com](http://www.ti.com).

---

### NOTE

The exposed leadframe die pad on the bottom of the package should be connected to V $-$  or left unconnected.

---

## 7.4 Device Functional Modes

The OPAx333 device has a single functional mode. The device is powered on as long as the power supply voltage is between 1.8 V ( $\pm 0.9$  V) and 5.5 V ( $\pm 2.75$  V).

## 8 Application and Implementation

### NOTE

Information in the following applications sections is not part of the TI component specification, and TI does not warrant its accuracy or completeness. TI's customers are responsible for determining suitability of components for their purposes. Customers should validate and test their design implementation to confirm system functionality.

### 8.1 Application Information

The OPAx333 family is a unity-gain stable, precision operational amplifier with very low offset voltage drift; these devices are also free from output phase reversal. Applications with noisy or high-impedance power supplies require decoupling capacitors close to the device power-supply pins. In most cases, 0.1- $\mu$ F capacitors are adequate.

### 8.2 Typical Applications

#### 8.2.1 High-Side Voltage-to-Current (V-I) Converter

The circuit shown in Figure 20 is a high-side voltage-to-current (V-I) converter. It translates an input voltage of 0 V to 2 V to an output current of 0 mA to 100 mA. Figure 21 shows the measured transfer function for this circuit. The low offset voltage and offset drift of the OPA333 facilitate excellent dc accuracy for the circuit.

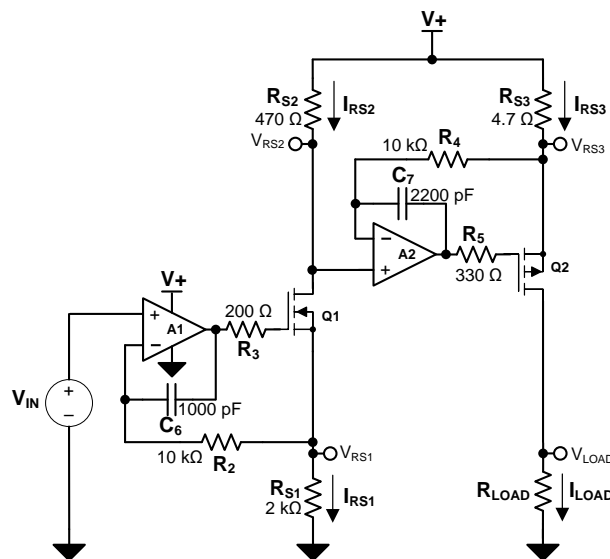


Figure 20. High-Side Voltage-to-Current (V-I) Converter

## Typical Applications (continued)

### 8.2.1.1 Design Requirements

The design requirements are as follows:

- Supply Voltage: 5 V DC
- Input: 0 V to 2 V DC
- Output: 0 mA to 100 mA DC

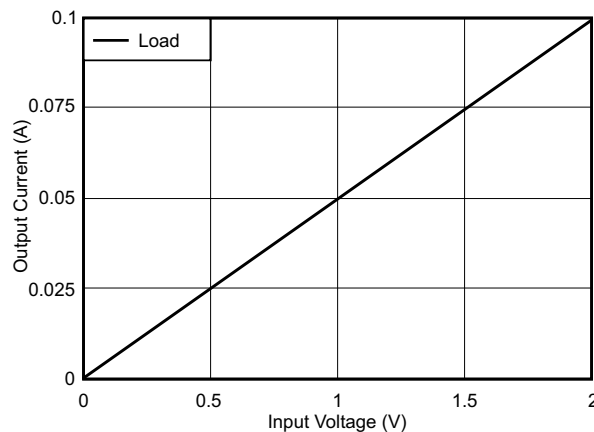
### 8.2.1.2 Detailed Design Procedure

The V-I transfer function of the circuit is based on the relationship between the input voltage,  $V_{IN}$ , and the three current sensing resistors,  $R_{S1}$ ,  $R_{S2}$ , and  $R_{S3}$ . The relationship between  $V_{IN}$  and  $R_{S1}$  determines the current that flows through the first stage of the design. The current gain from the first stage to the second stage is based on the relationship between  $R_{S2}$  and  $R_{S3}$ .

For a successful design, pay close attention to the dc characteristics of the operational amplifier chosen for the application. To meet the performance goals, this application benefits from an operational amplifier with low offset voltage, low temperature drift, and rail-to-rail output. The OPA2333 CMOS operational amplifier is a high-precision, 5- $\mu$ V offset, 0.05- $\mu$ V/ $^{\circ}$ C drift amplifier optimized for low-voltage, single-supply operation with an output swing to within 50 mV of the positive rail. The OPA2333 family uses chopping techniques to provide low initial offset voltage and near-zero drift over time and temperature. Low offset voltage and low drift reduce the offset error in the system, making these devices appropriate for precise dc control. The rail-to-rail output stage of the OPA2333 ensures that the output swing of the operational amplifier is able to fully control the gate of the MOSFET devices within the supply rails.

A detailed error analysis, design procedure, and additional measured results are given in [TIPD102](#).

### 8.2.1.3 Application Curve



**Figure 21. Measured Transfer Function for High-Side V-I Converter**



## Typical Applications (continued)

### 8.2.2 Precision, Low-Level Voltage-to-Current (V-I) Converter

The circuit shown in [Figure 22](#) is a precision, low-level voltage-to-current (V-I) converter. The converter translates an input voltage of 0 V to 5 V and output current of 0  $\mu$ A to 5  $\mu$ A. [Figure 23](#) shows the measured transfer function for this circuit. The low offset voltage and offset drift of the OPA333 facilitate excellent dc accuracy for the circuit. [Figure 24](#) shows the calibrated error for the entire range of the circuit.

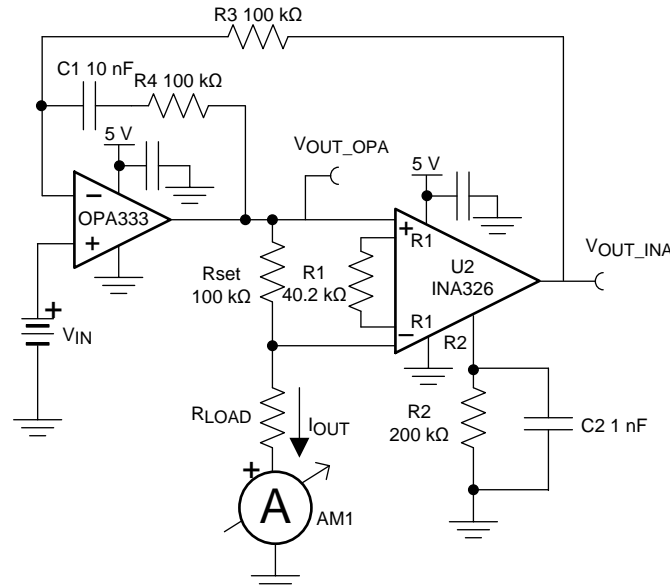


Figure 22. Low-Level, Precision V-I Converter

#### 8.2.2.1 Design Requirements

The design requirements are as follows:

- Supply Voltage: 5 V DC
- Input: 0 V to 5 V DC
- Output: 0  $\mu$ A to 5  $\mu$ A DC

#### 8.2.2.2 Detailed Design Procedure

The V-I transfer function of the circuit is based on the relationship between the input voltage,  $V_{IN}$ ,  $R_{SET}$ , and the instrumentation amplifier (INA) gain. During operation, the input voltage divided by the INA gain appears across the set resistor in [Equation 1](#):

$$V_{SET} = V_{IN}/G_{INA} \quad (1)$$

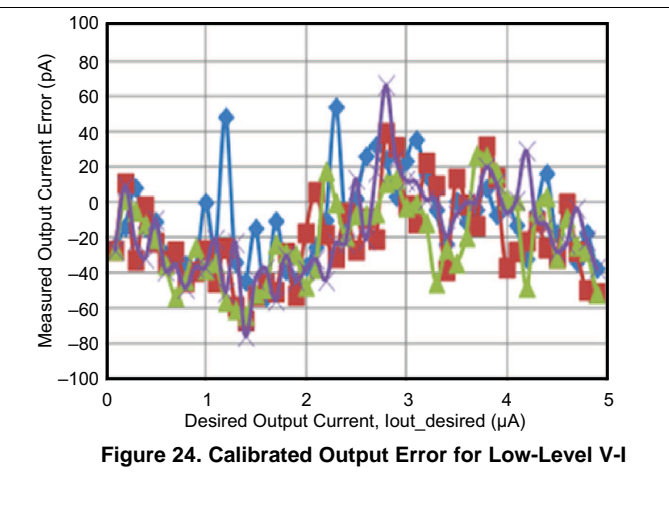
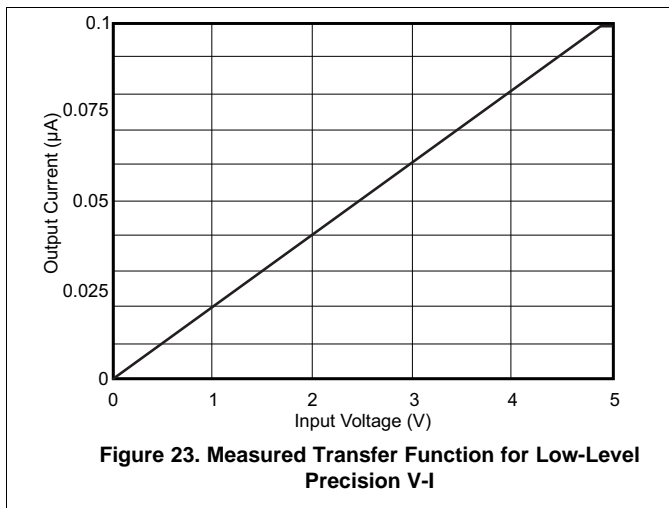
The current through  $R_{SET}$  must flow through the load, so  $I_{OUT}$  is  $V_{SET} / R_{SET}$ .  $I_{OUT}$  remains a well-regulated current as long as the total voltage across  $R_{SET}$  and  $R_{LOAD}$  does not violate the output limits of the operational amplifier or the input common-mode limits of the INA. The voltage across the set resistor ( $V_{SET}$ ) is the input voltage divided by the INA gain (that is,  $V_{SET} = 1 \text{ V} / 10 = 0.1 \text{ V}$ ). The current is determined by  $V_{SET}$  and  $R_{SET}$  shown in [Equation 2](#):

$$I_{OUT} = V_{SET} / R_{SET} = 0.1 \text{ V} / 100 \text{ k}\Omega = 1 \mu\text{A} \quad (2)$$

A detailed error analysis, design procedure, and additional measured results are given in [TIPD107](#).

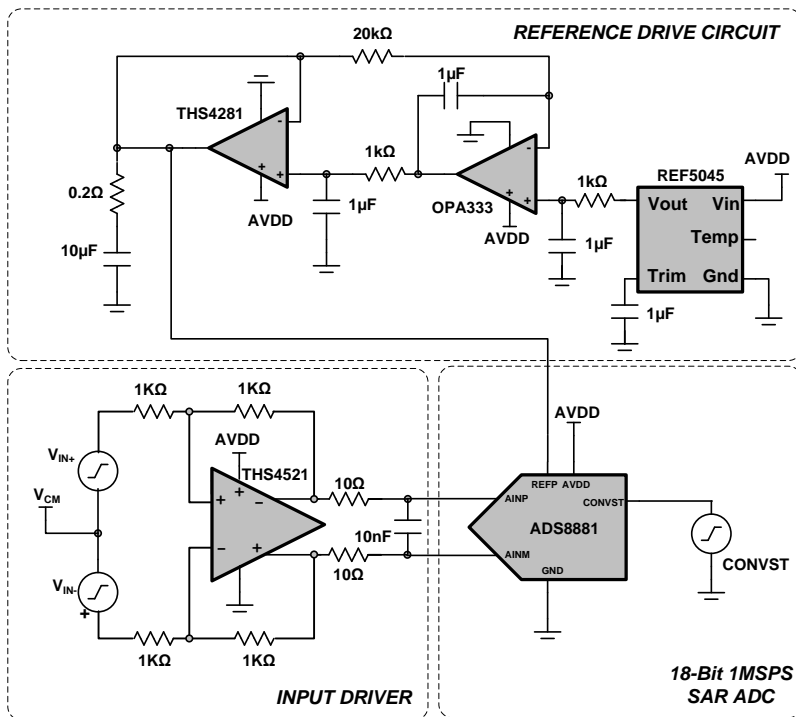
## Typical Applications (continued)

### 8.2.2.3 Application Curves



### 8.2.3 Composite Amplifier

The circuit shown in [Figure 25](#) is a composite amplifier used to drive the reference on the [ADS8881](#). The OPA333 provides excellent dc accuracy, and the [THS4281](#) allows the output of the circuit to respond quickly to the transient current requirements of a typical SAR data converter reference input. The ADS8881 system was optimized for THD and achieved a measured performance of  $-110$  dB. The linearity of the ADC is shown [Figure 26](#).



## Typical Applications (continued)

### 8.2.3.1 Design Requirements

The design requirements for this block design are:

- System Supply Voltage: 5 V DC
- ADC Supply Voltage: 3.3 V DC
- ADC Sampling Rate: 1 MSPS
- ADC Reference Voltage (VREF): 4.5 V DC
- ADC Input Signal: A differential input signal with amplitude of  $V_{pk} = 4.315$  V (–0.4 dBFS to avoid clipping) and frequency,  $f_{IN} = 10$  kHz are applied to each differential input of the ADC

### 8.2.3.2 Detailed Design Procedure

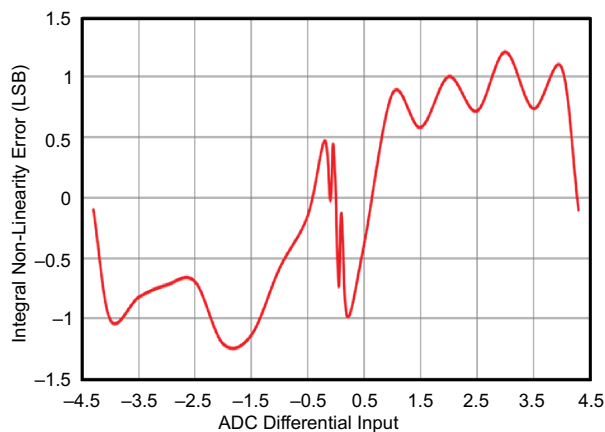
The two primary design considerations to maximize the performance of a high-resolution SAR ADC are the input driver and the reference driver design. The circuit comprises the critical analog circuit blocks, the input driver, anti-aliasing filter, and the reference driver. Each analog circuit block should be carefully designed based on the ADC performance specifications in order to maximize the distortion and noise performance of the data acquisition system while consuming low power. The diagram includes the most important specifications for each individual analog block. This design systematically approaches the design of each analog circuit block to achieve a 16-bit, low-noise and low-distortion data acquisition system for a 10-kHz sinusoidal input signal. The first step in the design requires an understanding of the requirement of extremely low distortion input driver amplifier. This understanding helps in the decision of an appropriate input driver configuration and selection of an input amplifier to meet the system requirements. The next important step is the design of the anti-aliasing RC-filter to attenuate ADC kick-back noise while maintaining the amplifier stability. The final design challenge is to design a high-precision reference driver circuit, which would provide the required value VREF with low offset, drift, and noise contributions.

In designing a very low distortion data acquisition block, it is important to understand the sources of nonlinearity. Both the ADC and the input driver introduce nonlinearity in a data acquisition block. To achieve the lowest distortion, the input driver for a high-performance SAR ADC must have a distortion that is negligible against the ADC distortion. This parameter requires the input driver distortion to be 10 dB lower than the ADC THD. This stringent requirement ensures that overall THD of the system is not degraded by more than –0.5 dB.

$$THD_{AMP} < THD_{ADC} - 10 \text{ dB} \tag{3}$$

It is therefore important to choose an amplifier that meets the above criteria to avoid the system THD from being limited by the input driver. The amplifier nonlinearity in a feedback system depends on the available loop gain. A detailed error analysis, design procedure, and additional measured results are given in [TIPD115](#).

### 8.2.3.3 Application Curve



**Figure 26. Linearity of the ADC8881 System**

### 8.3 System Examples

#### 8.3.1 Temperature Measurement Application

Figure 27 shows a temperature measurement application.

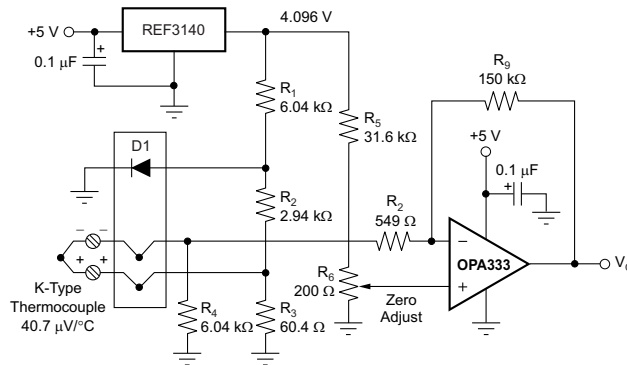


Figure 27. Temperature Measurement

#### 8.3.2 Single Operational Amplifier Bridge Amplifier Application

Figure 28 shows the basic configuration for a bridge amplifier.

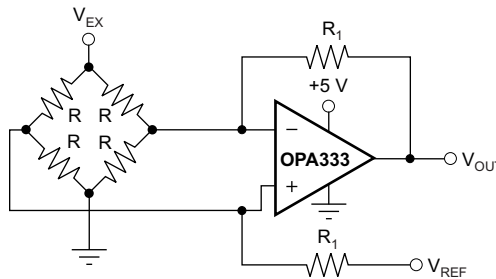
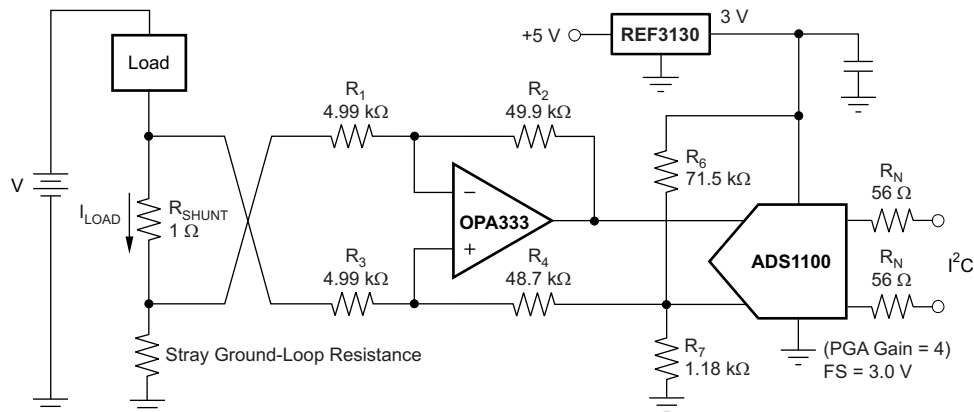


Figure 28. Single Operational Amplifier Bridge Amplifier

#### 8.3.3 Low-Side Current Monitor Application

A low-side current shunt monitor is shown in Figure 29.  $R_N$  are operational resistors used to isolate the ADS1100 from the noise of the digital I<sup>2</sup>C bus. The ADS1100 is a 16-bit converter; therefore, a precise reference is essential for maximum accuracy. If absolute accuracy is not required and the 5-V power supply is sufficiently stable, the REF3130 can be omitted.

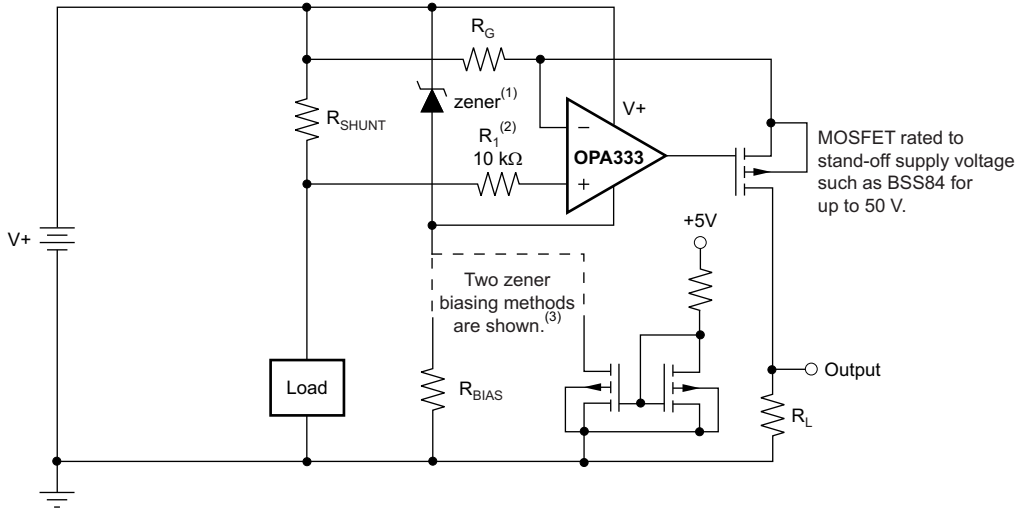


NOTE: 1% resistors provide adequate common-mode rejection at small ground-loop errors.

Figure 29. Low-Side Current Monitor

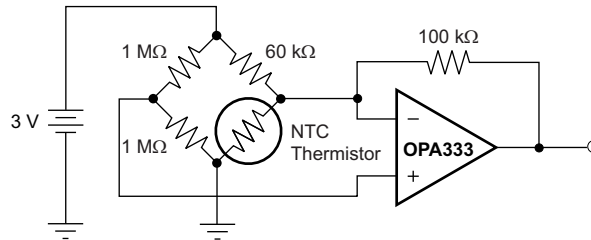
### 8.3.4 Other Applications

Additional application ideas are shown in [Figure 30](#) through [Figure 33](#).

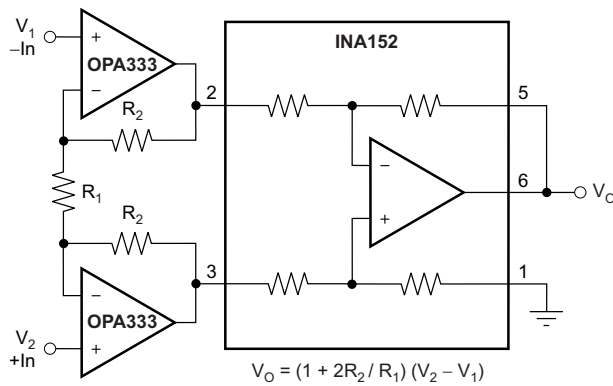


- (1) Zener rated for op amp supply capability (that is, 5.1 V for OPA333).
- (2) Current-limiting resistor.
- (3) Choose zener biasing resistor or dual N-MOSFETs (FDG6301N, NTJD4001N, or Si1034).

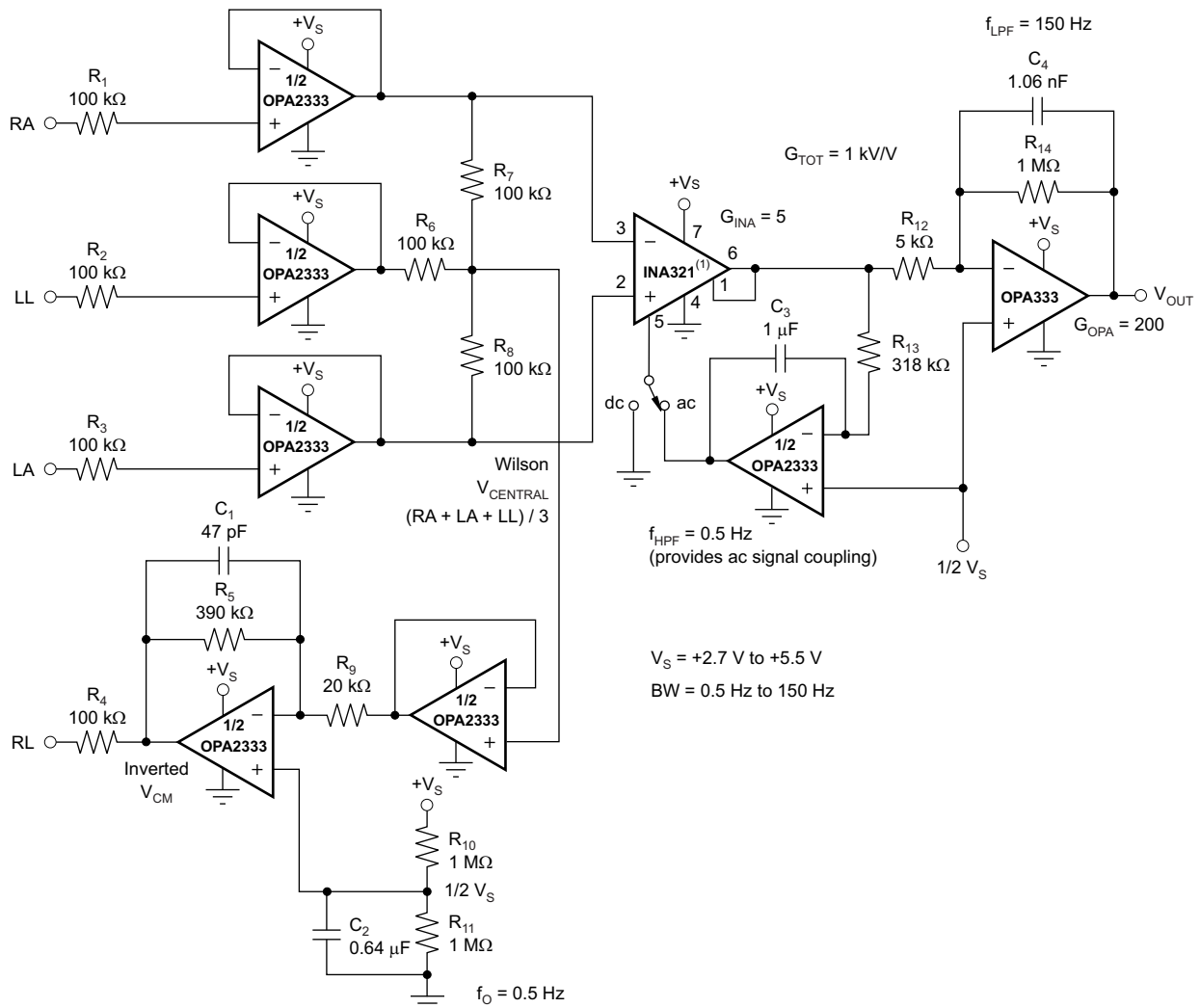
**Figure 30. High-Side Current Monitor**



**Figure 31. Thermistor Measurement**



**Figure 32. Precision Instrumentation Amplifier**



- (1) Other instrumentation amplifiers can be used, such as the [INA326](#), which has lower noise, but higher quiescent current.

**Figure 33. Single-Supply, Very Low Power, ECG Circuit**

## 9 Power Supply Recommendations

The OPAx333 is specified for operation from 1.8 V to 5.5 V ( $\pm 0.9 \text{ V}$  to  $\pm 2.75 \text{ V}$ ); many specifications apply from  $-40^\circ\text{C}$  to  $125^\circ\text{C}$ . The [Typical Characteristics](#) presents parameters that can exhibit significant variance with regard to operating voltage or temperature.

### CAUTION

Supply voltages larger than 7 V can permanently damage the device (see the [Absolute Maximum Ratings](#)).

TI recommends placing 0.1- $\mu\text{F}$  bypass capacitors close to the power-supply pins to reduce errors coupling in from noisy or high-impedance power supplies. For more detailed information on bypass capacitor placement, refer to the [Layout](#) section.

## 10 Layout

### 10.1 Layout Guidelines

#### 10.1.1 General Layout Guidelines

Pay attention to good layout practices. Keep traces short and when possible, use a printed-circuit-board (PCB) ground plane with surface-mount components placed as close to the device pins as possible. Place a 0.1- $\mu$ F capacitor closely across the supply pins. Apply these guidelines throughout the analog circuit to improve performance and provide benefits, such as reducing the electromagnetic interference (EMI) susceptibility.

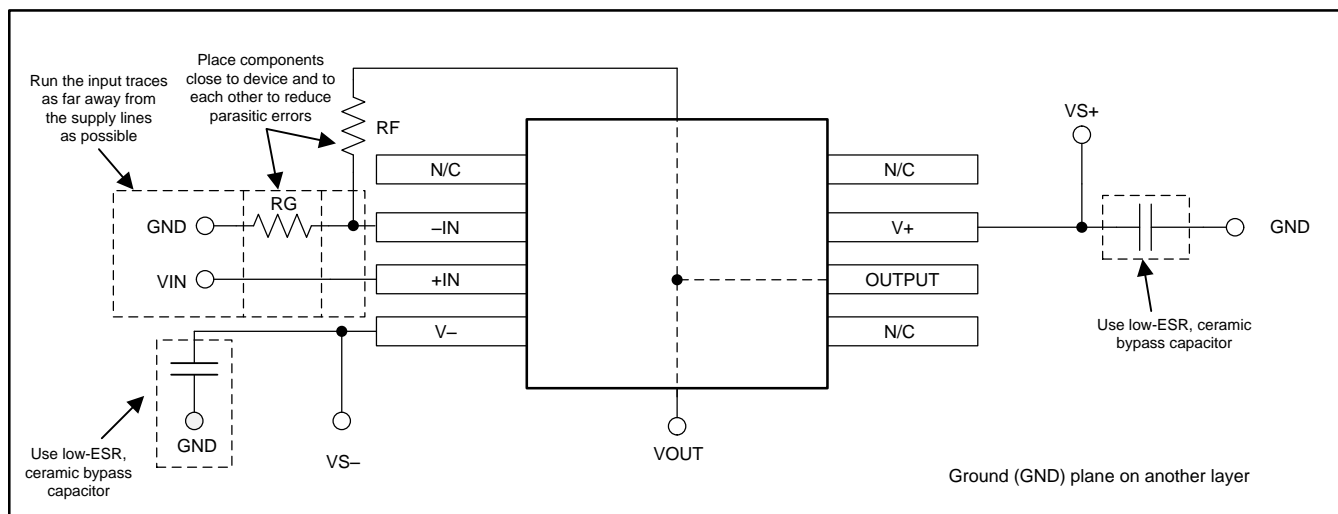
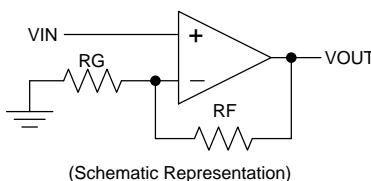
Operational amplifiers vary in susceptibility to radio frequency interference (RFI). RFI can generally be identified as a variation in offset voltage or DC signal levels with changes in the interfering RF signal. The OPA333 is specifically designed to minimize susceptibility to RFI and demonstrates remarkably low sensitivity compared to previous generation devices. Strong RF fields may still cause varying offset levels.

#### 10.1.2 DFN Layout Guidelines

Solder the exposed leadframe die pad on the DFN package to a thermal pad on the PCB. A mechanical drawing showing an example layout is attached at the end of this data sheet. Refinements to this layout may be necessary based on assembly process requirements. Mechanical drawings located at the end of this data sheet list the physical dimensions for the package and pad. The five holes in the landing pattern are optional, and are intended for use with thermal vias that connect the leadframe die pad to the heatsink area on the PCB.

Soldering the exposed pad significantly improves board-level reliability during temperature cycling, key push, package shear, and similar board-level tests. Even with applications that have low-power dissipation, the exposed pad must be soldered to the PCB to provide structural integrity and long-term reliability.

### 10.2 Layout Example



**Figure 34. Layout Example**

## 11 Device and Documentation Support

### 11.1 Device Support

#### 11.1.1 Development Support

For development support on this product, see the following:

- *High-Side V-I Converter, 0 V to 2 V to 0 mA to 100 mA, 1% Full-Scale Error*, [TIPD102](#)
- *Low-Level V-to-I Converter Reference Design, 0-V to 5-V Input to 0- $\mu$ A to 5- $\mu$ A Output*, [TIPD107](#)
- *18-Bit, 1-MSPS, Serial Interface, microPower, Truly-Differential Input, SAR ADC*, [ADS8881](#)
- *Very Low-Power, High-Speed, Rail-To-Rail Input/Output, Voltage Feedback Operational Amplifier*, [THS4281](#)
- *Data Acquisition Optimized for Lowest Distortion, Lowest Noise, 18-bit, 1-MSPS Reference Design*, [TIPD115](#)
- *Self-Calibrating, 16-Bit Analog-to-Digital Converter*, [ADS1100](#)
- *20-ppm/Degrees C Max, 100- $\mu$ A, SOT23-3 Series Voltage Reference*, [REF3130](#)
- *Precision, Low Drift, CMOS Instrumentation Amplifier*, [INA326](#), [INA326](#)

### 11.2 Documentation Support

#### 11.2.1 Related Documentation

For related documentation, see the following:

- *QFN/SON PCB Attachment*, [SLUA271](#)
- *Quad Flatpack No-Lead Logic Packages*, [SCBA017](#)

### 11.3 Related Links

[Table 2](#) lists quick access links. Categories include technical documents, support and community resources, tools and software, and quick access to sample or buy.

**Table 2. Related Links**

PARTS	PRODUCT FOLDER	SAMPLE & BUY	TECHNICAL DOCUMENTS	TOOLS & SOFTWARE	SUPPORT & COMMUNITY
OPA333	<a href="#">Click here</a>	<a href="#">Click here</a>	<a href="#">Click here</a>	<a href="#">Click here</a>	<a href="#">Click here</a>
OPA2333	<a href="#">Click here</a>	<a href="#">Click here</a>	<a href="#">Click here</a>	<a href="#">Click here</a>	<a href="#">Click here</a>

### 11.4 Community Resources

The following links connect to TI community resources. Linked contents are provided "AS IS" by the respective contributors. They do not constitute TI specifications and do not necessarily reflect TI's views; see TI's [Terms of Use](#).

**TI E2E™ Online Community** *TI's Engineer-to-Engineer (E2E) Community*. Created to foster collaboration among engineers. At [e2e.ti.com](http://e2e.ti.com), you can ask questions, share knowledge, explore ideas and help solve problems with fellow engineers.

**Design Support** *TI's Design Support* Quickly find helpful E2E forums along with design support tools and contact information for technical support.

### 11.5 Trademarks

E2E is a trademark of Texas Instruments.  
All other trademarks are the property of their respective owners.

### 11.6 Electrostatic Discharge Caution



These devices have limited built-in ESD protection. The leads should be shorted together or the device placed in conductive foam during storage or handling to prevent electrostatic damage to the MOS gates.



## 11.7 Glossary

[SLYZ022](#) — *TI Glossary*.

This glossary lists and explains terms, acronyms, and definitions.

## 12 Mechanical, Packaging, and Orderable Information

The following pages include mechanical, packaging, and orderable information. This information is the most current data available for the designated devices. This data is subject to change without notice and revision of this document. For browser-based versions of this data sheet, refer to the left-hand navigation.

**PACKAGING INFORMATION**

Orderable Device	Status (1)	Package Type	Package Drawing	Pins	Package Qty	Eco Plan (2)	Lead finish/ Ball material (6)	MSL Peak Temp (3)	Op Temp (°C)	Device Marking (4/5)	Samples
OPA2333AID	ACTIVE	SOIC	D	8	75	RoHS & Green	NIPDAU	Level-1-260C-UNLIM	-40 to 125	O2333A	<a href="#">Samples</a>
OPA2333AIDG4	ACTIVE	SOIC	D	8	75	RoHS & Green	NIPDAU	Level-1-260C-UNLIM	-40 to 125	O2333A	<a href="#">Samples</a>
OPA2333AIDGKR	ACTIVE	VSSOP	DGK	8	2500	RoHS & Green	NIPDAU   SN   NIPDAUAG	Level-1-260C-UNLIM	-40 to 125	OBAQ	<a href="#">Samples</a>
OPA2333AIDGKRG4	ACTIVE	VSSOP	DGK	8	2500	RoHS & Green	NIPDAU   NIPDAUAG	Level-1-260C-UNLIM	-40 to 125	OBAQ	<a href="#">Samples</a>
OPA2333AIDGKT	ACTIVE	VSSOP	DGK	8	250	RoHS & Green	NIPDAU   SN   NIPDAUAG	Level-1-260C-UNLIM	-40 to 125	OBAQ	<a href="#">Samples</a>
OPA2333AIDGKTG4	ACTIVE	VSSOP	DGK	8	250	RoHS & Green	NIPDAU   NIPDAUAG	Level-1-260C-UNLIM	-40 to 125	OBAQ	<a href="#">Samples</a>
OPA2333AIDR	ACTIVE	SOIC	D	8	2500	RoHS & Green	NIPDAU	Level-1-260C-UNLIM	-40 to 125	O2333A	<a href="#">Samples</a>
OPA2333AIDRBR	ACTIVE	SON	DRB	8	3000	RoHS & Green	NIPDAU	Level-2-260C-1 YEAR	-40 to 125	BQZ	<a href="#">Samples</a>
OPA2333AIDRBT	ACTIVE	SON	DRB	8	250	RoHS & Green	NIPDAU	Level-2-260C-1 YEAR	-40 to 125	BQZ	<a href="#">Samples</a>
OPA2333AIDRBTG4	ACTIVE	SON	DRB	8	250	RoHS & Green	NIPDAU	Level-2-260C-1 YEAR	-40 to 125	BQZ	<a href="#">Samples</a>
OPA2333AIDRG4	ACTIVE	SOIC	D	8	2500	RoHS & Green	NIPDAU	Level-1-260C-UNLIM	-40 to 125	O2333A	<a href="#">Samples</a>
OPA333AID	ACTIVE	SOIC	D	8	75	RoHS & Green	NIPDAU	Level-1-260C-UNLIM	-40 to 125	O333A	<a href="#">Samples</a>
OPA333AIDBVR	ACTIVE	SOT-23	DBV	5	3000	RoHS & Green	NIPDAU	Level-1-260C-UNLIM	-40 to 125	OAXQ	<a href="#">Samples</a>
OPA333AIDBVRG4	ACTIVE	SOT-23	DBV	5	3000	RoHS & Green	NIPDAU	Level-1-260C-UNLIM	-40 to 125	OAXQ	<a href="#">Samples</a>
OPA333AIDBVT	ACTIVE	SOT-23	DBV	5	250	RoHS & Green	NIPDAU	Level-1-260C-UNLIM	-40 to 125	OAXQ	<a href="#">Samples</a>
OPA333AIDBVTG4	ACTIVE	SOT-23	DBV	5	250	RoHS & Green	NIPDAU	Level-1-260C-UNLIM	-40 to 125	OAXQ	<a href="#">Samples</a>
OPA333AIDCKR	ACTIVE	SC70	DCK	5	3000	RoHS & Green	NIPDAU	Level-1-260C-UNLIM	-40 to 125	BQY	<a href="#">Samples</a>
OPA333AIDCKRG4	ACTIVE	SC70	DCK	5	3000	RoHS & Green	NIPDAU	Level-1-260C-UNLIM	-40 to 125	BQY	<a href="#">Samples</a>
OPA333AIDCKT	ACTIVE	SC70	DCK	5	250	RoHS & Green	NIPDAU	Level-1-260C-UNLIM	-40 to 125	BQY	<a href="#">Samples</a>

Orderable Device	Status (1)	Package Type	Package Drawing	Pins	Package Qty	Eco Plan (2)	Lead finish/ Ball material (6)	MSL Peak Temp (3)	Op Temp (°C)	Device Marking (4/5)	Samples
OPA333AIDCKTG4	ACTIVE	SC70	DCK	5	250	RoHS & Green	NIPDAU	Level-1-260C-UNLIM	-40 to 125	BQY	<a href="#">Samples</a>
OPA333AIDG4	ACTIVE	SOIC	D	8	75	RoHS & Green	NIPDAU	Level-1-260C-UNLIM	-40 to 125	O333A	<a href="#">Samples</a>
OPA333AIDR	ACTIVE	SOIC	D	8	2500	RoHS & Green	NIPDAU	Level-1-260C-UNLIM	-40 to 125	O333A	<a href="#">Samples</a>

(1) The marketing status values are defined as follows:

**ACTIVE:** Product device recommended for new designs.

**LIFEBUY:** TI has announced that the device will be discontinued, and a lifetime-buy period is in effect.

**NRND:** Not recommended for new designs. Device is in production to support existing customers, but TI does not recommend using this part in a new design.

**PREVIEW:** Device has been announced but is not in production. Samples may or may not be available.

**OBSELETE:** TI has discontinued the production of the device.

(2) **RoHS:** TI defines "RoHS" to mean semiconductor products that are compliant with the current EU RoHS requirements for all 10 RoHS substances, including the requirement that RoHS substance do not exceed 0.1% by weight in homogeneous materials. Where designed to be soldered at high temperatures, "RoHS" products are suitable for use in specified lead-free processes. TI may reference these types of products as "Pb-Free".

**RoHS Exempt:** TI defines "RoHS Exempt" to mean products that contain lead but are compliant with EU RoHS pursuant to a specific EU RoHS exemption.

**Green:** TI defines "Green" to mean the content of Chlorine (Cl) and Bromine (Br) based flame retardants meet JS709B low halogen requirements of <=1000ppm threshold. Antimony trioxide based flame retardants must also meet the <=1000ppm threshold requirement.

(3) MSL, Peak Temp. - The Moisture Sensitivity Level rating according to the JEDEC industry standard classifications, and peak solder temperature.

(4) There may be additional marking, which relates to the logo, the lot trace code information, or the environmental category on the device.

(5) Multiple Device Markings will be inside parentheses. Only one Device Marking contained in parentheses and separated by a "-" will appear on a device. If a line is indented then it is a continuation of the previous line and the two combined represent the entire Device Marking for that device.

(6) Lead finish/Ball material - Orderable Devices may have multiple material finish options. Finish options are separated by a vertical ruled line. Lead finish/Ball material values may wrap to two lines if the finish value exceeds the maximum column width.

**Important Information and Disclaimer:**The information provided on this page represents TI's knowledge and belief as of the date that it is provided. TI bases its knowledge and belief on information provided by third parties, and makes no representation or warranty as to the accuracy of such information. Efforts are underway to better integrate information from third parties. TI has taken and continues to take reasonable steps to provide representative and accurate information but may not have conducted destructive testing or chemical analysis on incoming materials and chemicals. TI and TI suppliers consider certain information to be proprietary, and thus CAS numbers and other limited information may not be available for release.

In no event shall TI's liability arising out of such information exceed the total purchase price of the TI part(s) at issue in this document sold by TI to Customer on an annual basis.

**OTHER QUALIFIED VERSIONS OF OPA2333, OPA333 :**

- Automotive : [OPA2333-Q1](#), [OPA333-Q1](#)

## NOTE: Qualified Version Definitions:

- Automotive - Q100 devices qualified for high-reliability automotive applications targeting zero defects

## TAPE AND REEL INFORMATION



### QUADRANT ASSIGNMENTS FOR PIN 1 ORIENTATION IN TAPE



\*All dimensions are nominal

Device	Package Type	Package Drawing	Pins	SPQ	Reel Diameter (mm)	Reel Width W1 (mm)	A0 (mm)	B0 (mm)	K0 (mm)	P1 (mm)	W (mm)	Pin1 Quadrant
OPA2333AIDGKR	VSSOP	DGK	8	2500	330.0	12.4	5.3	3.4	1.4	8.0	12.0	Q1
OPA2333AIDGKRG4	VSSOP	DGK	8	2500	330.0	12.4	5.3	3.4	1.4	8.0	12.0	Q1
OPA2333AIDGKRG4	VSSOP	DGK	8	2500	330.0	12.4	5.3	3.4	1.4	8.0	12.0	Q1
OPA2333AIDGKT	VSSOP	DGK	8	250	330.0	12.4	5.3	3.4	1.4	8.0	12.0	Q1
OPA2333AIDGKTG4	VSSOP	DGK	8	250	330.0	12.4	5.3	3.4	1.4	8.0	12.0	Q1
OPA2333AIDGKTG4	VSSOP	DGK	8	250	330.0	12.4	5.3	3.4	1.4	8.0	12.0	Q1
OPA2333AIDR	SOIC	D	8	2500	330.0	12.4	6.4	5.2	2.1	8.0	12.0	Q1
OPA2333AIDRBR	SON	DRB	8	3000	330.0	12.4	3.3	3.3	1.1	8.0	12.0	Q2
OPA2333AIDRBT	SON	DRB	8	250	180.0	12.4	3.3	3.3	1.1	8.0	12.0	Q2
OPA333AIDBVR	SOT-23	DBV	5	3000	178.0	9.0	3.3	3.2	1.4	4.0	8.0	Q3
OPA333AIDBVT	SOT-23	DBV	5	250	178.0	9.0	3.23	3.17	1.37	4.0	8.0	Q3
OPA333AIDCKR	SC70	DCK	5	3000	179.0	8.4	2.2	2.5	1.2	4.0	8.0	Q3
OPA333AIDCKT	SC70	DCK	5	250	179.0	8.4	2.2	2.5	1.2	4.0	8.0	Q3
OPA333AIDR	SOIC	D	8	2500	330.0	12.4	6.4	5.2	2.1	8.0	12.0	Q1

**TAPE AND REEL BOX DIMENSIONS**


\*All dimensions are nominal

Device	Package Type	Package Drawing	Pins	SPQ	Length (mm)	Width (mm)	Height (mm)
OPA2333AIDGKR	VSSOP	DGK	8	2500	367.0	367.0	35.0
OPA2333AIDGKRG4	VSSOP	DGK	8	2500	367.0	367.0	35.0
OPA2333AIDGKRG4	VSSOP	DGK	8	2500	364.0	364.0	27.0
OPA2333AIDGKT	VSSOP	DGK	8	250	353.0	353.0	32.0
OPA2333AIDGKTG4	VSSOP	DGK	8	250	364.0	364.0	27.0
OPA2333AIDGKTG4	VSSOP	DGK	8	250	353.0	353.0	32.0
OPA2333AIDR	SOIC	D	8	2500	356.0	356.0	35.0
OPA2333AIDRBR	SON	DRB	8	3000	356.0	356.0	35.0
OPA2333AIDRBT	SON	DRB	8	250	210.0	185.0	35.0
OPA333AIDBVR	SOT-23	DBV	5	3000	180.0	180.0	18.0
OPA333AIDBVT	SOT-23	DBV	5	250	180.0	180.0	18.0
OPA333AIDCKR	SC70	DCK	5	3000	200.0	183.0	25.0
OPA333AIDCKT	SC70	DCK	5	250	200.0	183.0	25.0
OPA333AIDR	SOIC	D	8	2500	356.0	356.0	35.0

**TUBE**


\*All dimensions are nominal

Device	Package Name	Package Type	Pins	SPQ	L (mm)	W (mm)	T (μm)	B (mm)
OPA2333AID	D	SOIC	8	75	506.6	8	3940	4.32
OPA2333AIDG4	D	SOIC	8	75	506.6	8	3940	4.32
OPA333AID	D	SOIC	8	75	506.6	8	3940	4.32
OPA333AIDG4	D	SOIC	8	75	506.6	8	3940	4.32

**DRB 8**

**GENERIC PACKAGE VIEW**

**VSON - 1 mm max height**

PLASTIC SMALL OUTLINE - NO LEAD



Images above are just a representation of the package family, actual package may vary.  
Refer to the product data sheet for package details.

4203482/L



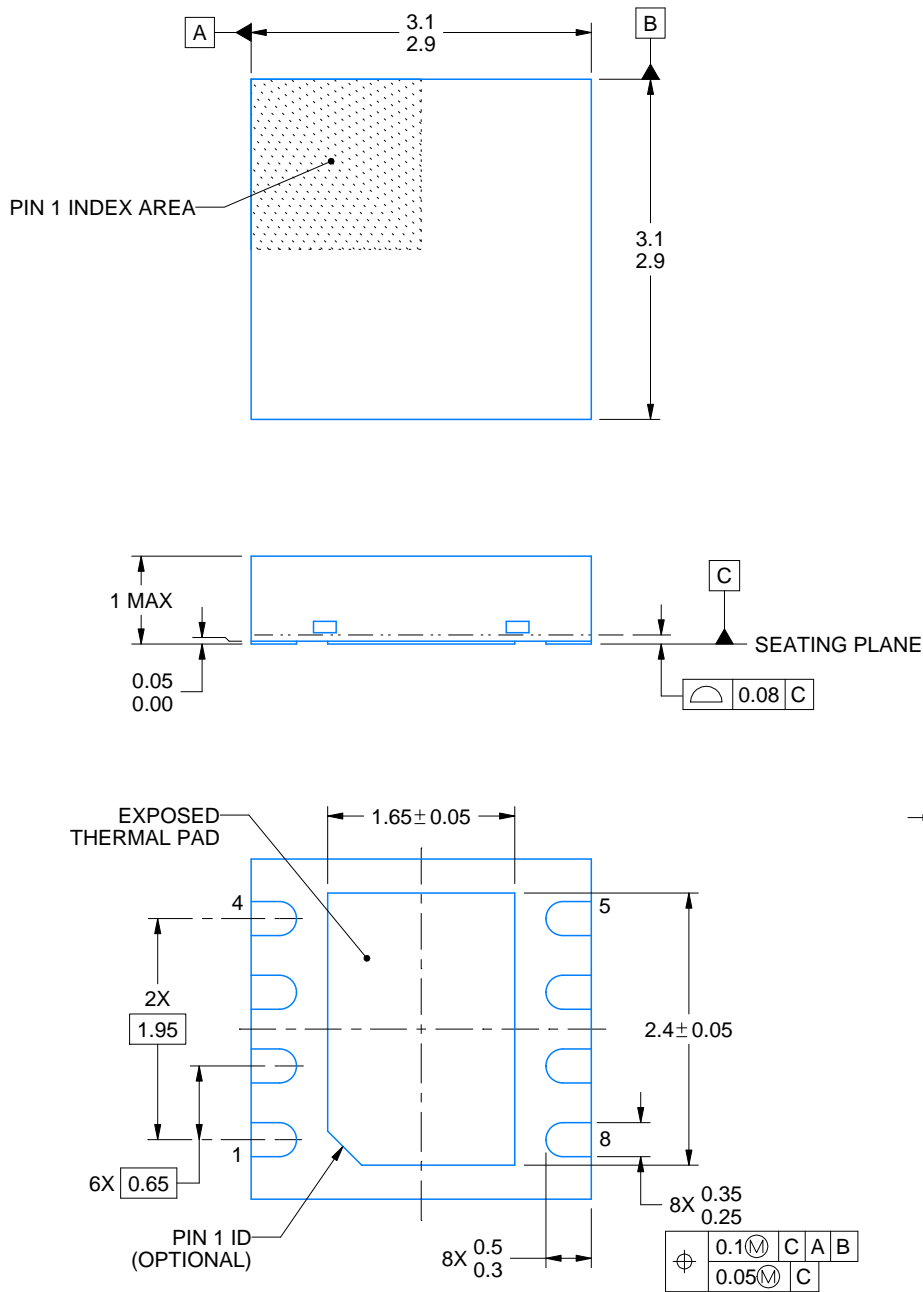
DRB0008B



PACKAGE OUTLINE

VSON - 1 mm max height

PLASTIC SMALL OUTLINE - NO LEAD



4218876/A 12/2017

NOTES:

- 1. All linear dimensions are in millimeters. Any dimensions in parenthesis are for reference only. Dimensioning and tolerancing per ASME Y14.5M.
- 2. This drawing is subject to change without notice.
- 3. The package thermal pad must be soldered to the printed circuit board for thermal and mechanical performance.

# EXAMPLE BOARD LAYOUT

DRB0008B

VSON - 1 mm max height

PLASTIC SMALL OUTLINE - NO LEAD



LAND PATTERN EXAMPLE  
SCALE:20X



SOLDER MASK DETAILS

4218876/A 12/2017

NOTES: (continued)

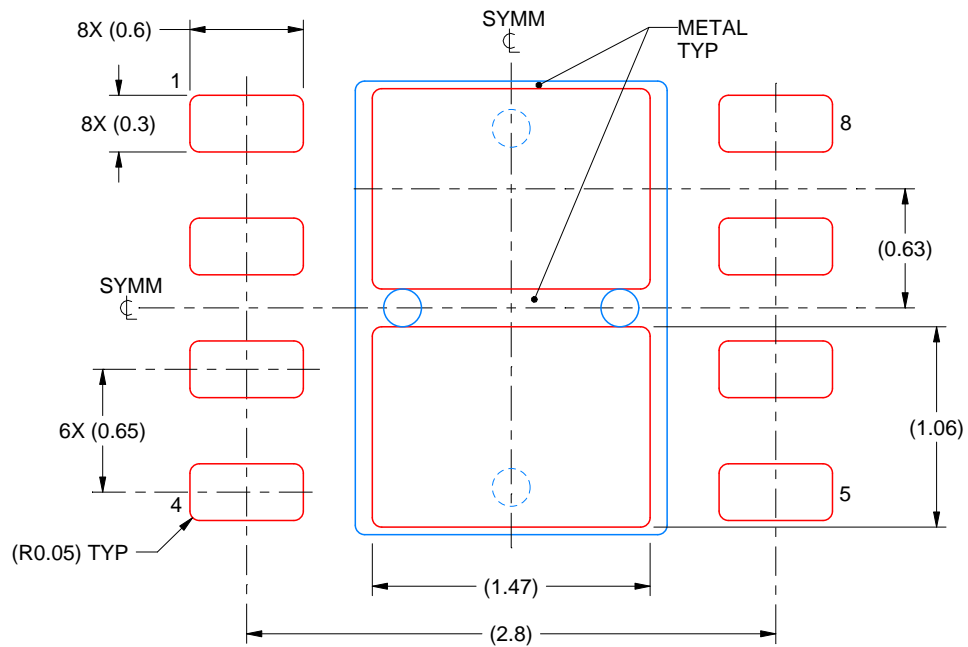
4. This package is designed to be soldered to a thermal pad on the board. For more information, see Texas Instruments literature number SLUA271 ([www.ti.com/lit/slue271](http://www.ti.com/lit/slue271)).
5. Vias are optional depending on application, refer to device data sheet. If any vias are implemented, refer to their locations shown on this view. It is recommended that vias under paste be filled, plugged or tented.

# EXAMPLE STENCIL DESIGN

DRB0008B

VSON - 1 mm max height

PLASTIC SMALL OUTLINE - NO LEAD



SOLDER PASTE EXAMPLE  
BASED ON 0.125 mm THICK STENCIL

EXPOSED PAD  
81% PRINTED SOLDER COVERAGE BY AREA  
SCALE:25X

4218876/A 12/2017

NOTES: (continued)

6. Laser cutting apertures with trapezoidal walls and rounded corners may offer better paste release. IPC-7525 may have alternate design recommendations.



D0008A

# PACKAGE OUTLINE

SOIC - 1.75 mm max height

SMALL OUTLINE INTEGRATED CIRCUIT



4214825/C 02/2019

NOTES:

1. Linear dimensions are in inches [millimeters]. Dimensions in parenthesis are for reference only. Controlling dimensions are in inches. Dimensioning and tolerancing per ASME Y14.5M.
2. This drawing is subject to change without notice.
3. This dimension does not include mold flash, protrusions, or gate burrs. Mold flash, protrusions, or gate burrs shall not exceed .006 [0.15] per side.
4. This dimension does not include interlead flash.
5. Reference JEDEC registration MS-012, variation AA.

# EXAMPLE BOARD LAYOUT

D0008A

SOIC - 1.75 mm max height

SMALL OUTLINE INTEGRATED CIRCUIT



LAND PATTERN EXAMPLE  
 EXPOSED METAL SHOWN  
 SCALE:8X



SOLDER MASK DETAILS

4214825/C 02/2019

NOTES: (continued)

- 6. Publication IPC-7351 may have alternate designs.
- 7. Solder mask tolerances between and around signal pads can vary based on board fabrication site.

# EXAMPLE STENCIL DESIGN

D0008A

SOIC - 1.75 mm max height

SMALL OUTLINE INTEGRATED CIRCUIT



SOLDER PASTE EXAMPLE  
BASED ON .005 INCH [0.125 MM] THICK STENCIL  
SCALE:8X

4214825/C 02/2019

NOTES: (continued)

8. Laser cutting apertures with trapezoidal walls and rounded corners may offer better paste release. IPC-7525 may have alternate design recommendations.
9. Board assembly site may have different recommendations for stencil design.

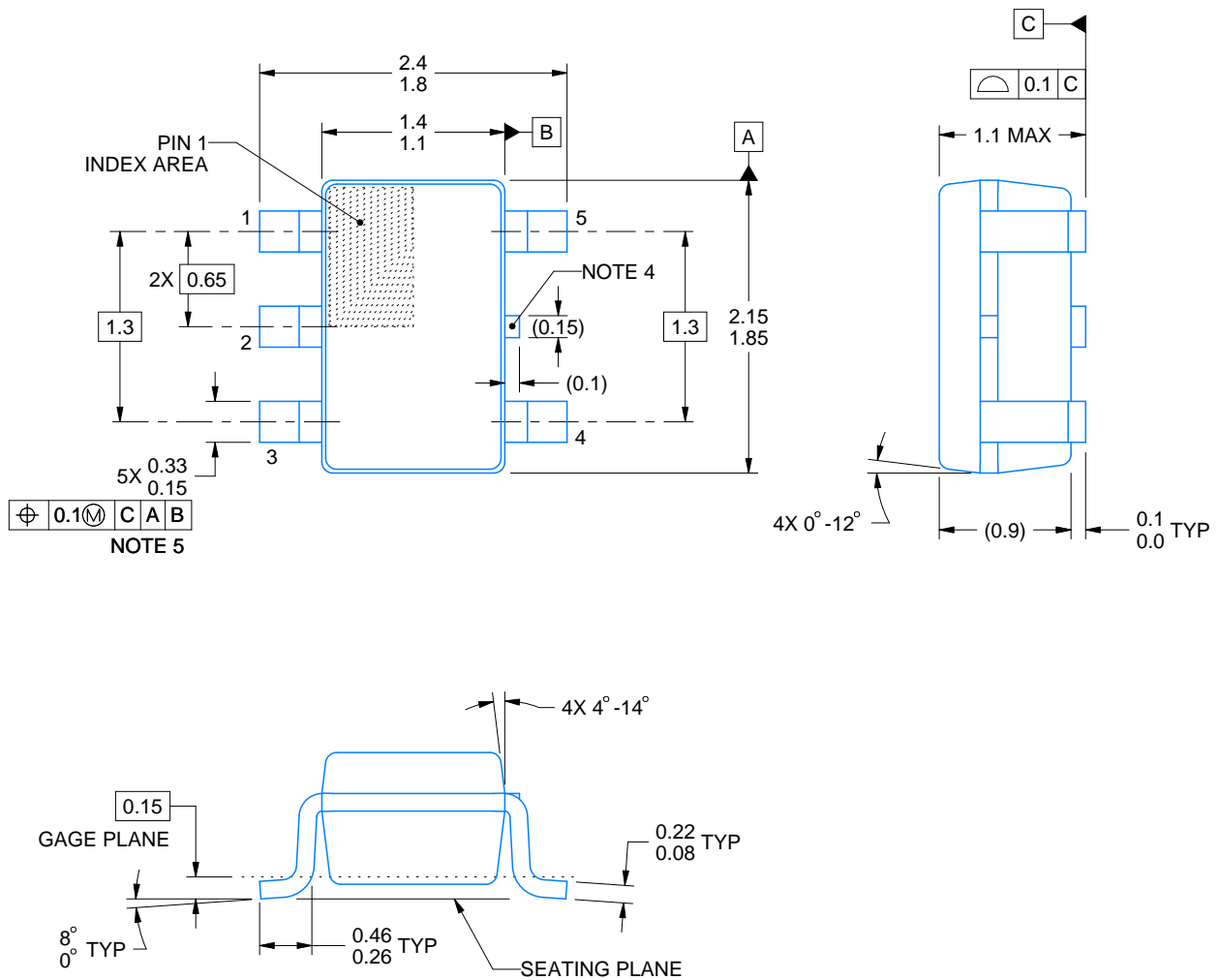
# DCK0005A



# PACKAGE OUTLINE

## SOT - 1.1 max height

### SMALL OUTLINE TRANSISTOR



4214834/F 08/2024

### NOTES:

1. All linear dimensions are in millimeters. Any dimensions in parenthesis are for reference only. Dimensioning and tolerancing per ASME Y14.5M.
2. This drawing is subject to change without notice.
3. Reference JEDEC MO-203.
4. Support pin may differ or may not be present.
5. Lead width does not comply with JEDEC.
6. Body dimensions do not include mold flash, protrusions, or gate burrs. Mold flash, protrusions, or gate burrs shall not exceed 0.25mm per side

# EXAMPLE BOARD LAYOUT

DCK0005A

SOT - 1.1 max height

SMALL OUTLINE TRANSISTOR



LAND PATTERN EXAMPLE  
EXPOSED METAL SHOWN  
SCALE:18X



SOLDER MASK DETAILS

4214834/F 08/2024

NOTES: (continued)

- 7. Publication IPC-7351 may have alternate designs.
- 8. Solder mask tolerances between and around signal pads can vary based on board fabrication site.

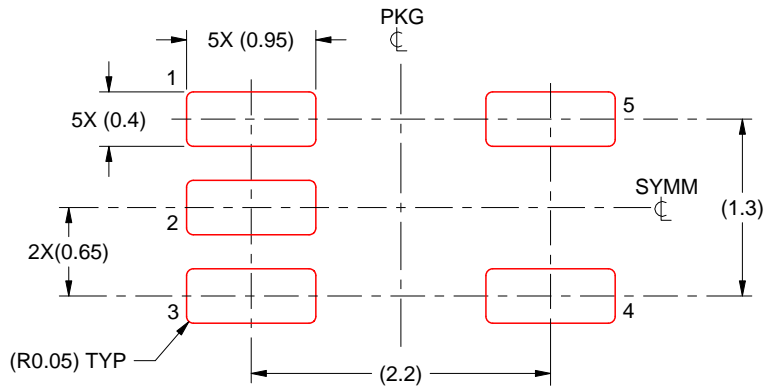


# EXAMPLE STENCIL DESIGN

DCK0005A

SOT - 1.1 max height

SMALL OUTLINE TRANSISTOR



SOLDER PASTE EXAMPLE  
BASED ON 0.125 THICK STENCIL  
SCALE: 18X

4214834/F 08/2024

NOTES: (continued)

9. Laser cutting apertures with trapezoidal walls and rounded corners may offer better paste release. IPC-7525 may have alternate design recommendations.
10. Board assembly site may have different recommendations for stencil design.

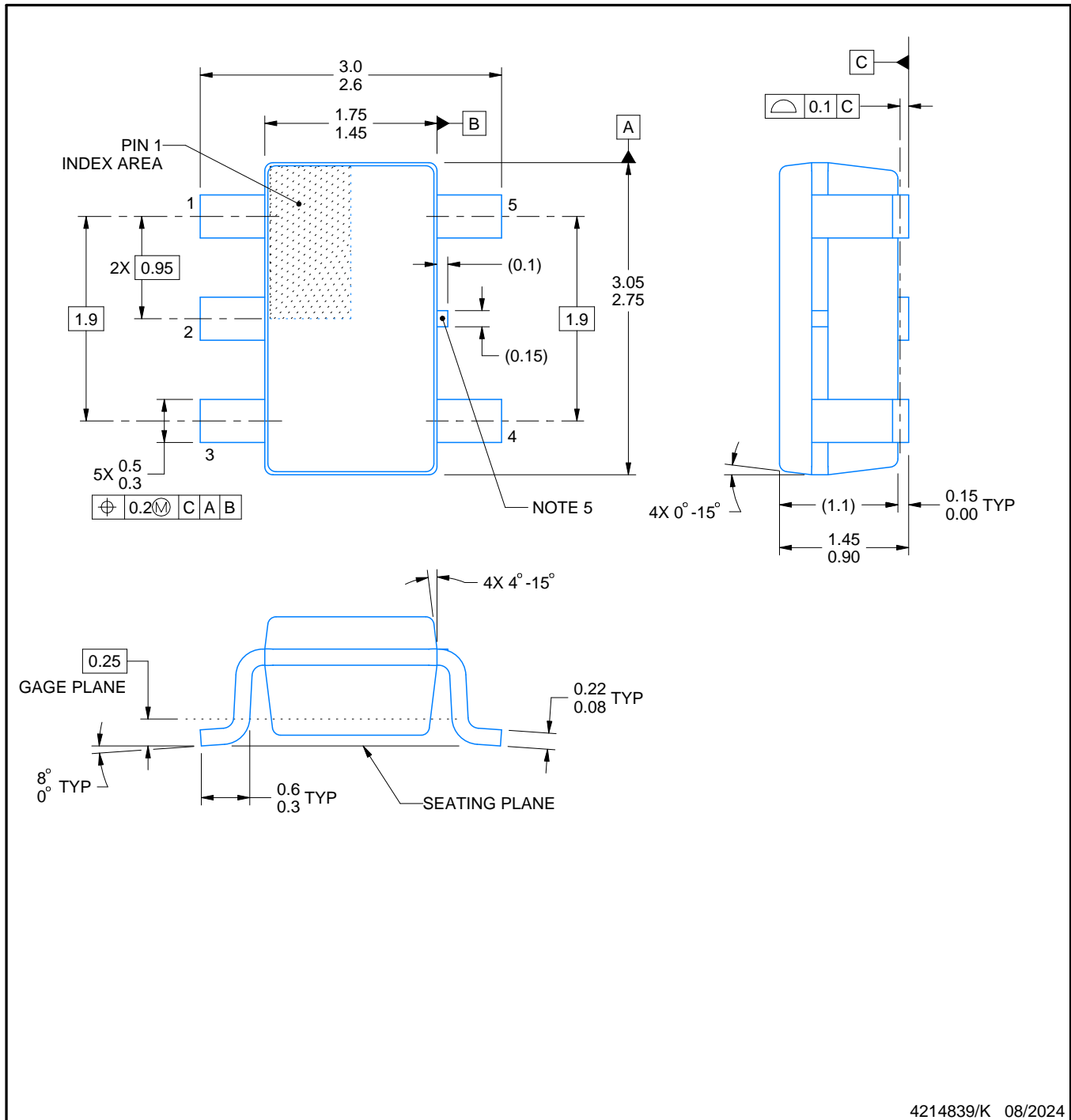


# PACKAGE OUTLINE

## DBV0005A

### SOT-23 - 1.45 mm max height

SMALL OUTLINE TRANSISTOR



4214839/K 08/2024

#### NOTES:

1. All linear dimensions are in millimeters. Any dimensions in parenthesis are for reference only. Dimensioning and tolerancing per ASME Y14.5M.
2. This drawing is subject to change without notice.
3. Reference JEDEC MO-178.
4. Body dimensions do not include mold flash, protrusions, or gate burrs. Mold flash, protrusions, or gate burrs shall not exceed 0.25 mm per side.
5. Support pin may differ or may not be present.

# EXAMPLE BOARD LAYOUT

DBV0005A

SOT-23 - 1.45 mm max height

SMALL OUTLINE TRANSISTOR



LAND PATTERN EXAMPLE  
EXPOSED METAL SHOWN  
SCALE:15X



SOLDER MASK DETAILS

4214839/K 08/2024

NOTES: (continued)

- 6. Publication IPC-7351 may have alternate designs.
- 7. Solder mask tolerances between and around signal pads can vary based on board fabrication site.

# EXAMPLE STENCIL DESIGN

DBV0005A

SOT-23 - 1.45 mm max height

SMALL OUTLINE TRANSISTOR



SOLDER PASTE EXAMPLE  
BASED ON 0.125 mm THICK STENCIL  
SCALE:15X

4214839/K 08/2024

NOTES: (continued)

8. Laser cutting apertures with trapezoidal walls and rounded corners may offer better paste release. IPC-7525 may have alternate design recommendations.
9. Board assembly site may have different recommendations for stencil design.



4214862/A 04/2023

NOTES:

PowerPAD is a trademark of Texas Instruments.

1. All linear dimensions are in millimeters. Any dimensions in parenthesis are for reference only. Dimensioning and tolerancing per ASME Y14.5M.
2. This drawing is subject to change without notice.
3. This dimension does not include mold flash, protrusions, or gate burrs. Mold flash, protrusions, or gate burrs shall not exceed 0.15 mm per side.
4. This dimension does not include interlead flash. Interlead flash shall not exceed 0.25 mm per side.
5. Reference JEDEC registration MO-187.

# EXAMPLE BOARD LAYOUT

DGK0008A

™ VSSOP - 1.1 mm max height

SMALL OUTLINE PACKAGE



LAND PATTERN EXAMPLE  
EXPOSED METAL SHOWN  
SCALE: 15X



SOLDER MASK DETAILS

4214862/A 04/2023

NOTES: (continued)

6. Publication IPC-7351 may have alternate designs.
7. Solder mask tolerances between and around signal pads can vary based on board fabrication site.
8. Vias are optional depending on application, refer to device data sheet. If any vias are implemented, refer to their locations shown on this view. It is recommended that vias under paste be filled, plugged or tented.
9. Size of metal pad may vary due to creepage requirement.

# EXAMPLE STENCIL DESIGN

DGK0008A

<sup>TM</sup> VSSOP - 1.1 mm max height

SMALL OUTLINE PACKAGE



SOLDER PASTE EXAMPLE  
SCALE: 15X

4214862/A 04/2023

NOTES: (continued)

11. Laser cutting apertures with trapezoidal walls and rounded corners may offer better paste release. IPC-7525 may have alternate design recommendations.
12. Board assembly site may have different recommendations for stencil design.

## IMPORTANT NOTICE AND DISCLAIMER

TI PROVIDES TECHNICAL AND RELIABILITY DATA (INCLUDING DATA SHEETS), DESIGN RESOURCES (INCLUDING REFERENCE DESIGNS), APPLICATION OR OTHER DESIGN ADVICE, WEB TOOLS, SAFETY INFORMATION, AND OTHER RESOURCES "AS IS" AND WITH ALL FAULTS, AND DISCLAIMS ALL WARRANTIES, EXPRESS AND IMPLIED, INCLUDING WITHOUT LIMITATION ANY IMPLIED WARRANTIES OF MERCHANTABILITY, FITNESS FOR A PARTICULAR PURPOSE OR NON-INFRINGEMENT OF THIRD PARTY INTELLECTUAL PROPERTY RIGHTS.

These resources are intended for skilled developers designing with TI products. You are solely responsible for (1) selecting the appropriate TI products for your application, (2) designing, validating and testing your application, and (3) ensuring your application meets applicable standards, and any other safety, security, regulatory or other requirements.

These resources are subject to change without notice. TI grants you permission to use these resources only for development of an application that uses the TI products described in the resource. Other reproduction and display of these resources is prohibited. No license is granted to any other TI intellectual property right or to any third party intellectual property right. TI disclaims responsibility for, and you will fully indemnify TI and its representatives against, any claims, damages, costs, losses, and liabilities arising out of your use of these resources.

TI's products are provided subject to [TI's Terms of Sale](#) or other applicable terms available either on [ti.com](https://www.ti.com) or provided in conjunction with such TI products. TI's provision of these resources does not expand or otherwise alter TI's applicable warranties or warranty disclaimers for TI products.

TI objects to and rejects any additional or different terms you may have proposed.

Mailing Address: Texas Instruments, Post Office Box 655303, Dallas, Texas 75265  
Copyright © 2024, Texas Instruments Incorporated