

LMV551-Q1 3-MHz, Automotive Micropower RRO Amplifier

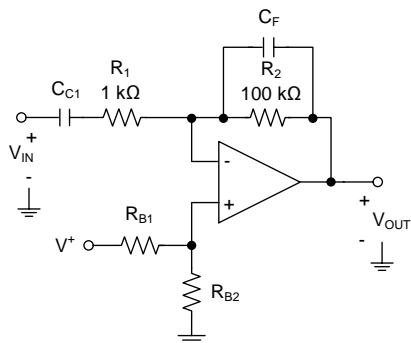
1 Features

- Qualified for Automotive Applications
- AEC-Q100 Test Guidance With the Following:
 - Device Temperature Range Grade 1: -40°C to $+125^{\circ}\text{C}$ Ambient Operating Temperature
 - Device HBM ESD Classification Level 2
 - Device CDM ESD Classification Level C7
- Specified 3-V and 5-V Performance
- High Unity Gain Bandwidth 3 MHz
- Supply Current 37 μA Typ
- CMRR 93 dB
- PSRR 90 dB
- Slew Rate 1 $\text{V}/\mu\text{s}$
- Output Swing With 100-k Ω Load 70 mV From Rail
- Total Harmonic Distortion: 0.003% at 1 kHz, 2 k Ω

2 Applications

- Automotive Subsystems
- Portable and Battery Powered Systems
- Robotics and Automation
- Sensors and Instrumentation
- Active Filters

Single Supply Inverting Amplifier



Copyright © 2016, Texas Instruments Incorporated

3 Description

The LMV551-Q1 is a high performance, low power operational amplifier implemented with TI's advanced VIP50 process. The LMV551-Q1 features 3 MHz of bandwidth while consuming only 37 μA of current, which is an exceptional bandwidth to power ratio in this op amp class. These amplifiers are unity gain stable and provide an excellent solution for low power applications requiring a wide bandwidth.

The LMV551-Q1 has a rail-to-rail output stage and an input common mode range that extends below ground.

The LMV551-Q1 has an operating supply voltage range from 2.7 V to 5.5 V. This amplifier can operate over a wide temperature range (-40°C to 125°C) making it a great choice for automotive applications, sensor applications as well as portable instrumentation applications. The LMV551-Q1 is offered in the ultra tiny 5-pin SC70 package.

Device Information⁽¹⁾

PART NUMBER	PACKAGE	BODY SIZE (NOM)
LMV551-Q1	SC70 (5)	2.00 mm x 1.25 mm

(1) For all available packages, see the orderable addendum at the end of the data sheet.

Open Loop Gain and Phase vs Frequency

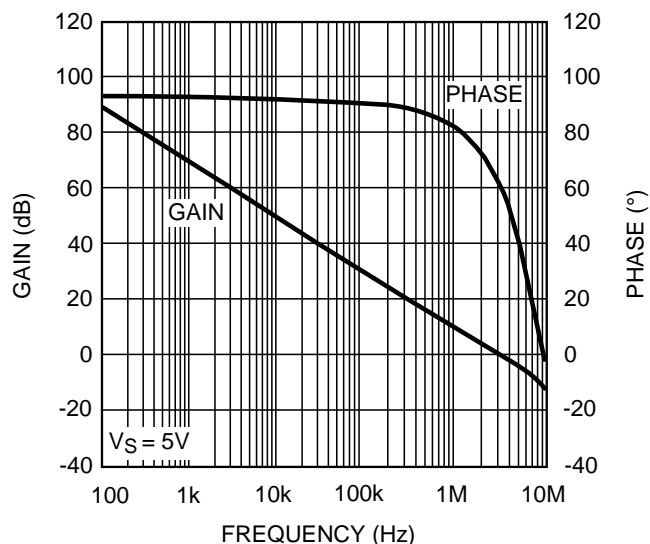


Table of Contents

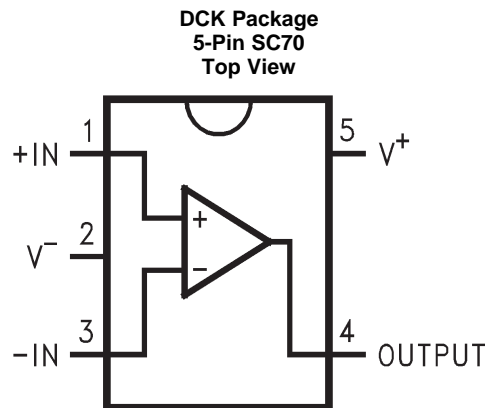
1 Features 1 2 Applications 1 3 Description 1 4 Revision History 2 5 Pin Configuration and Functions 3 6 Specifications 4 6.1 Absolute Maximum Ratings 4 6.2 ESD Ratings..... 4 6.3 Recommended Operating Conditions..... 4 6.4 Thermal Information 4 6.5 Electrical Characteristics: 3 V 5 6.6 Electrical Characteristics: 5 V 6 6.7 Typical Characteristics 7 7 Detailed Description 12 7.1 Overview 12 7.2 Functional Block Diagram 12 7.3 Feature Description..... 12 7.4 Device Functional Modes..... 13	8 Application and Implementation 16 8.1 Application Information..... 16 8.2 Typical Application 16 8.3 Dos and Don'ts 18 9 Power Supply Recommendations 19 10 Layout 19 10.1 Layout Guidelines 19 10.2 Layout Example 19 11 Device and Documentation Support 20 11.1 Device Support 20 11.2 Documentation Support 20 11.3 Receiving Notification of Documentation Updates 20 11.4 Community Resources..... 20 11.5 Trademarks 20 11.6 Electrostatic Discharge Caution..... 20 11.7 Glossary 20 12 Mechanical, Packaging, and Orderable Information 20
---	--

4 Revision History

NOTE: Page numbers for previous revisions may differ from page numbers in the current version.

DATE	REVISION	NOTES
February 2017	*	Initial release.

5 Pin Configuration and Functions



Pin Functions: LMV551-Q1

PIN		I/O	DESCRIPTION
NAME	NO.		
+IN	1	I	Non-inverting input
-IN	3	I	Inverting input
OUT	4	O	Output
V-	2	P	Negative supply
V+	5	P	Positive supply

6 Specifications

6.1 Absolute Maximum Ratings

Over operating free-air temperature range (unless otherwise noted)⁽¹⁾⁽²⁾

	MIN	MAX	UNIT
V _{IN} Differential (V ⁺ = 5V)		±2.5	V
Supply voltage (V ⁺ - V ⁻)		6	V
Voltage at input/output pins	V ⁻ - 0.3	V ⁺ + 0.3	V
Junction temperature, T _J ⁽³⁾		150	°C
Storage temperature, T _{stg}	-65	150	°C

- (1) Stresses beyond those listed under *Absolute Maximum Ratings* may cause permanent damage to the device. These are stress ratings only, which do not imply functional operation of the device at these or any other conditions beyond those indicated under *Recommended Operating Conditions*. Exposure to absolute-maximum-rated conditions for extended periods may affect device reliability.
- (2) If Military/Aerospace specified devices are required, please contact the Texas Instruments Sales Office / Distributors for availability and specifications.
- (3) The maximum power dissipation is a function of T_{J(MAX)}, θ_{JA}. The maximum allowable power dissipation at any ambient temperature is PD = (T_{J(MAX)} - TA) / θ_{JA}. All numbers apply for packages soldered directly onto a PC board.

6.2 ESD Ratings

		VALUE	UNIT
V _(ESD) Electrostatic discharge	Human-body model (HBM), per AEC Q100-002 ⁽¹⁾	±2000	V
	Charged-device model (CDM), per AEC Q100-011	±1000	

- (1) AEC Q100-002 indicates that HBM stressing shall be in accordance with the ANSI/ESDA/JEDEC JS-001 specification.

6.3 Recommended Operating Conditions

Over operating free-air temperature range (unless otherwise noted)

	MIN	NOM	MAX	UNIT
Temperature range, T _A ⁽¹⁾	-40		125	°C
Supply voltage (V ⁺ - V ⁻)	2.7		5.5	V

- (1) The maximum power dissipation is a function of T_{J(MAX)}, θ_{JA}. The maximum allowable power dissipation at any ambient temperature is PD = (T_{J(MAX)} - TA) / θ_{JA}. All numbers apply for packages soldered directly onto a PC board.

6.4 Thermal Information

THERMAL METRIC ⁽¹⁾	LMV551-Q1		UNIT
	DCK (SC70)		
	5 PINS		
R _{θJA} Junction-to-ambient thermal resistance	303.5		°C/W
R _{θJC(top)} Junction-to-case (top) thermal resistance	135.5		°C/W
R _{θJB} Junction-to-board thermal resistance	81.1		°C/W
ψ _{JT} Junction-to-top characterization parameter	8.4		°C/W
ψ _{JB} Junction-to-board characterization parameter	80.4		°C/W
R _{θJC(bot)} Junction-to-case (bottom) thermal resistance	n/a		°C/W

- (1) For more information about traditional and new thermal metrics, see the [Semiconductor and IC Package Thermal Metrics](#) application report.

6.5 Electrical Characteristics: 3 V

Unless otherwise specified, all limits are specified for $T_A = 25^\circ\text{C}$, $V^+ = 3\text{V}$, $V^- = 0\text{V}$, $V_{\text{CM}} = V^+/2 = V_O$. ⁽¹⁾

PARAMETER		TEST CONDITIONS		MIN ⁽²⁾	TYP ⁽³⁾	MAX ⁽²⁾	UNIT
V_{OS}	Input offset voltage	$T_A = 25^\circ\text{C}$		-4.5	1	3	mV
		$T_A = -40^\circ\text{C}$ to $+125^\circ\text{C}$		-8		4.5	
TC V_{OS}	Input offset average drift	$T_A = -40^\circ\text{C}$ to $+125^\circ\text{C}$			3.3		$\mu\text{V}/^\circ\text{C}$
I_B	Input bias current ⁽⁴⁾	$T_A = 25^\circ\text{C}$			20	38	nA
I_{OS}	Input offset current	$T_A = 25^\circ\text{C}$			1	20	nA
CMRR	Common mode rejection ratio	$0\text{V} \leq V_{\text{CM}} \leq 2\text{V}$	$T_A = 25^\circ\text{C}$	74	92		dB
			$T_A = -40^\circ\text{C}$ to $+125^\circ\text{C}$	72			
PSRR	Power supply rejection ratio	$3\text{V} \leq V^+ \leq 5\text{V}$, $V_{\text{CM}} = 0.5\text{V}$	$T_A = 25^\circ\text{C}$	80	92		dB
			$T_A = -40^\circ\text{C}$ to $+125^\circ\text{C}$	78			
		$2.7\text{V} \leq V^+ \leq 5.5\text{V}$, $V_{\text{CM}} = 0.5\text{V}$	$T_A = 25^\circ\text{C}$	80	92		
			$T_A = -40^\circ\text{C}$ to $+125^\circ\text{C}$	78			
CMVR	Input common-mode voltage	CMRR $\geq 68\text{ dB}$		$T_A = 25^\circ\text{C}$	0	2.1	V
		CMRR $\geq 60\text{ dB}$		$T_A = -40^\circ\text{C}$ to $+125^\circ\text{C}$	0	2.1	
A_{VOL}	Large signal voltage gain	$0.4\text{V} \leq V_O \leq 2.6\text{V}$, $R_L = 100\text{ k}\Omega$ to $V^+/2$	$T_A = 25^\circ\text{C}$	81	90		dB
			$T_A = -40^\circ\text{C}$ to $+125^\circ\text{C}$	78			
		$0.4\text{V} \leq V_O \leq 2.6\text{V}$, $R_L = 10\text{ k}\Omega$ to $V^+/2$	$T_A = 25^\circ\text{C}$	71	80		
			$T_A = -40^\circ\text{C}$ to $+125^\circ\text{C}$	68			
V_O	Output swing high	$R_L = 100\text{ k}\Omega$ to $V^+/2$	$T_A = 25^\circ\text{C}$		40	48	mV from rail
			$T_A = -40^\circ\text{C}$ to $+125^\circ\text{C}$			58	
		$R_L = 10\text{ k}\Omega$ to $V^+/2$	$T_A = 25^\circ\text{C}$		85	100	
	$T_A = -40^\circ\text{C}$ to $+125^\circ\text{C}$				120		
	Output swing low	$R_L = 100\text{ k}\Omega$ to $V^+/2$	$T_A = 25^\circ\text{C}$		50	65	
			$T_A = -40^\circ\text{C}$ to $+125^\circ\text{C}$			77	
$R_L = 10\text{ k}\Omega$ to $V^+/2$		$T_A = 25^\circ\text{C}$		95	110		
	$T_A = -40^\circ\text{C}$ to $+125^\circ\text{C}$			130			
I_{SC}	Output short circuit current	Sourcing ⁽⁵⁾			10		mA
		Sinking ⁽⁵⁾			25		
I_S	Supply current	$T_A = 25^\circ\text{C}$			34	42	μA
		$T_A = -40^\circ\text{C}$ to $+125^\circ\text{C}$				52	
SR	Slew rate	$A_V = +1$, 10% to 90% ⁽⁶⁾			1		$\text{V}/\mu\text{s}$
Φ_m	Phase margin	$R_L = 10\text{ k}\Omega$, $C_L = 20\text{ pF}$			75		$^\circ$
GBW	Gain bandwidth product				3		MHz
e_n	Input-referred voltage noise	$f = 100\text{ kHz}$			70		$\text{nV}/\sqrt{\text{Hz}}$
		$f = 1\text{ kHz}$			70		
i_n	Input-referred current noise	$f = 100\text{ kHz}$			0.1		$\text{pA}/\sqrt{\text{Hz}}$
		$f = 1\text{ kHz}$			0.15		
THD	Total harmonic distortion	$f = 1\text{ kHz}$, $A_V = 2$, $R_L = 2\text{ k}\Omega$			0.003%		

- Electrical Table values apply only for factor testing conditions at the temperature indicated. Factory testing conditions result in very limited self-heating of the device such that $T_J = T_A$. No specify of parametric performance is indicated in the electrical tables under conditions of internal self-heating where $T_J = T_A$.
- Limits are 100% production tested at 25°C . Limits over the operating temperature range are specified through correlations using statistical quality control (SQC) method.
- Typical values represent the most likely parametric norm as determined at the time of characterization. Actual typical values may vary over time and also depend on the application and configuration. The typical values are not tested and are not specified on shipped production material.
- Positive current corresponds to current flowing into the device.
- The part is not short circuit protected and is not recommended for operation with heavy resistive loads.
- Slew rate is the average of the rising and falling slew rates.

6.6 Electrical Characteristics: 5 V

Unless otherwise specified, all limits are specified for $T_A = 25^\circ\text{C}$, $V^+ = 5\text{V}$, $V^- = 0\text{V}$, $V_{\text{CM}} = V^+/2 = V_O$. ⁽¹⁾

PARAMETER		TEST CONDITIONS	MIN ⁽²⁾	TYP ⁽³⁾	MAX ⁽²⁾	UNIT	
V_{OS}	Input offset voltage	$T_A = 25^\circ\text{C}$	-4.5	1	3	mV	
		$T_A = -40^\circ\text{C}$ to $+125^\circ\text{C}$	-8		4.5		
TC V_{OS}	Input offset average drift	$T_A = -40^\circ\text{C}$ to $+125^\circ\text{C}$		3.3		$\mu\text{V}/^\circ\text{C}$	
I_B	Input bias current ⁽⁴⁾	$T_A = 25^\circ\text{C}$		20	38	nA	
I_{OS}	Input offset current	$T_A = 25^\circ\text{C}$		1	20	nA	
CMRR	Common mode rejection ratio	$0\text{V} \leq V_{\text{CM}} < 4\text{V}$	$T_A = 25^\circ\text{C}$	76	93	dB	
			$T_A = -40^\circ\text{C}$ to $+125^\circ\text{C}$	74			
PSRR	Power supply rejection ratio	$3\text{V} \leq V^+ \leq 5\text{V}$, $V_{\text{CM}} = 0.5\text{V}$	$T_A = 25^\circ\text{C}$	78	90	dB	
			$T_A = -40^\circ\text{C}$ to $+125^\circ\text{C}$	75			
		$2.7\text{V} \leq V^+ \leq 5.5\text{V}$, $V_{\text{CM}} = 0.5\text{V}$	$T_A = 25^\circ\text{C}$	78	90		
			$T_A = -40^\circ\text{C}$ to $+125^\circ\text{C}$	75			
CMVR	Input common-mode voltage	CMRR $\geq 68\text{dB}$	$T_A = 25^\circ\text{C}$	0	4.1	V	
		CMRR $\geq 60\text{dB}$	$T_A = -40^\circ\text{C}$ to $+125^\circ\text{C}$	0	4.1		
A_{VOL}	Large signal voltage gain	$0.4\text{V} \leq V_O \leq 4.6\text{V}$, $R_L = 100\text{k}\Omega$ to $V^+/2$	$T_A = 25^\circ\text{C}$	78	90	dB	
			$T_A = -40^\circ\text{C}$ to $+125^\circ\text{C}$	75			
		$0.4\text{V} \leq V_O \leq 4.6\text{V}$, $R_L = 10\text{k}\Omega$ to $V^+/2$	$T_A = 25^\circ\text{C}$	75	80		
			$T_A = -40^\circ\text{C}$ to $+125^\circ\text{C}$	72			
V_O	Output swing high	$R_L = 100\text{k}\Omega$ to $V^+/2$	$T_A = 25^\circ\text{C}$	70	92	mV from rail	
			$T_A = -40^\circ\text{C}$ to $+125^\circ\text{C}$		122		
		$R_L = 10\text{k}\Omega$ to $V^+/2$	$T_A = 25^\circ\text{C}$		125		155
	$T_A = -40^\circ\text{C}$ to $+125^\circ\text{C}$				210		
	Output swing low	$R_L = 100\text{k}\Omega$ to $V^+/2$	$T_A = 25^\circ\text{C}$		60		70
			$T_A = -40^\circ\text{C}$ to $+125^\circ\text{C}$				82
$R_L = 10\text{k}\Omega$ to $V^+/2$		$T_A = 25^\circ\text{C}$		110	130		
		$T_A = -40^\circ\text{C}$ to $+125^\circ\text{C}$			155		
I_{SC}	Output short circuit current	Sourcing ⁽⁵⁾		10		mA	
		Sinking ⁽⁵⁾		25			
I_S	Supply current	$T_A = 25^\circ\text{C}$		37	46	μA	
		$T_A = -40^\circ\text{C}$ to $+125^\circ\text{C}$			54		
SR	Slew rate	$A_V = +1$, $V_O = 1 V_{\text{PP}}$, 10% to 90% ⁽⁶⁾		1		$\text{V}/\mu\text{s}$	
ϕ_m	Phase margin	$R_L = 10\text{k}\Omega$, $C_L = 20\text{pF}$		75		$^\circ$	
GBW	Gain bandwidth product			3		MHz	
e_n	Input-referred voltage noise	$f = 100\text{kHz}$		70		$\text{nV}/\sqrt{\text{Hz}}$	
		$f = 1\text{kHz}$		70			
i_n	Input-referred current noise	$f = 100\text{kHz}$		0.1		$\text{pA}/\sqrt{\text{Hz}}$	
		$f = 1\text{kHz}$		0.15			
THD	Total harmonic distortion	$f = 1\text{kHz}$, $A_V = 2$, $R_L = 2\text{k}\Omega$		0.003%			

- (1) Electrical Table values apply only for factor testing conditions at the temperature indicated. Factory testing conditions result in very limited self-heating of the device such that $T_J = T_A$. No specify of parametric performance is indicated in the electrical tables under conditions of internal self-heating where $T_J = T_A$.
- (2) Limits are 100% production tested at 25°C . Limits over the operating temperature range are specified through correlations using statistical quality control (SQC) method.
- (3) Typical values represent the most likely parametric norm as determined at the time of characterization. Actual typical values may vary over time and also depend on the application and configuration. The typical values are not tested and are not specified on shipped production material.
- (4) Positive current corresponds to current flowing into the device.
- (5) The part is not short circuit protected and is not recommended for operation with heavy resistive loads.
- (6) Slew rate is the average of the rising and falling slew rates.

6.7 Typical Characteristics

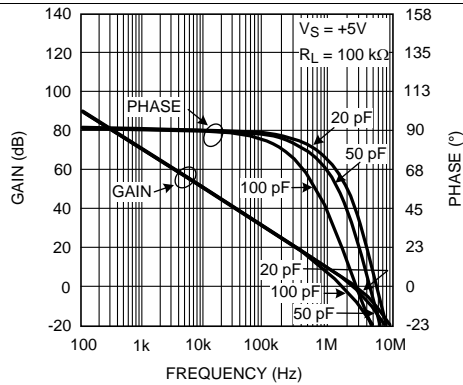


Figure 1. Open-Loop Gain and Phase With Capacitive Load

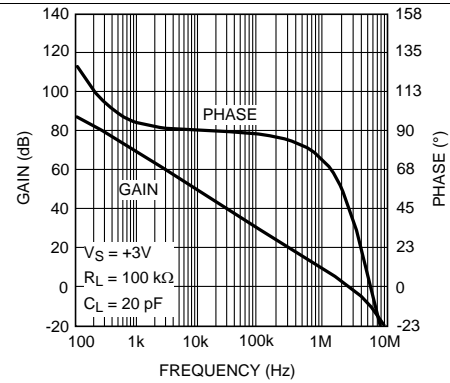


Figure 2. Open-Loop Gain and Phase With Resistive Load

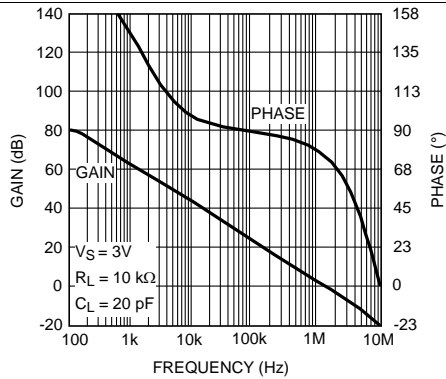


Figure 3. Open-Loop Gain and Phase With Resistive Load

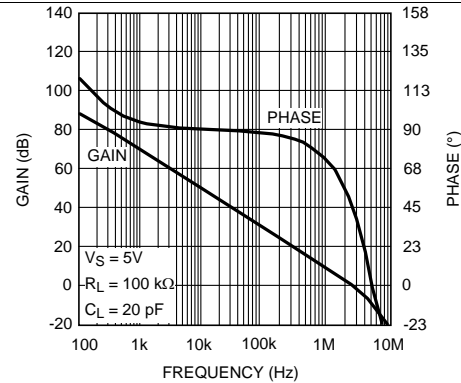


Figure 4. Open-Loop Gain and Phase With Resistive Load

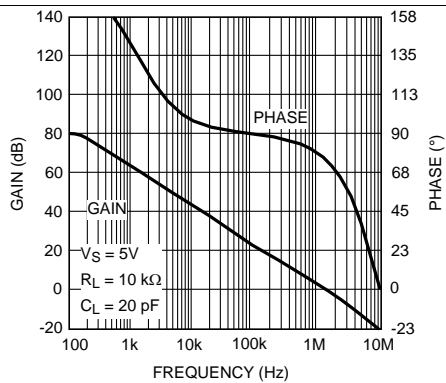


Figure 5. Open-Loop Gain and Phase With Resistive Load

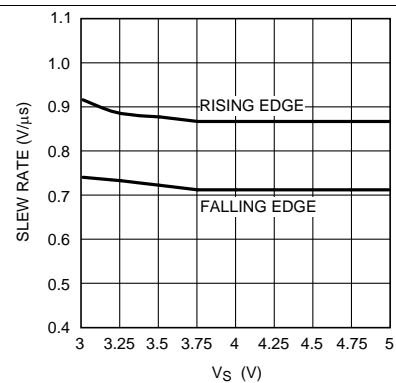
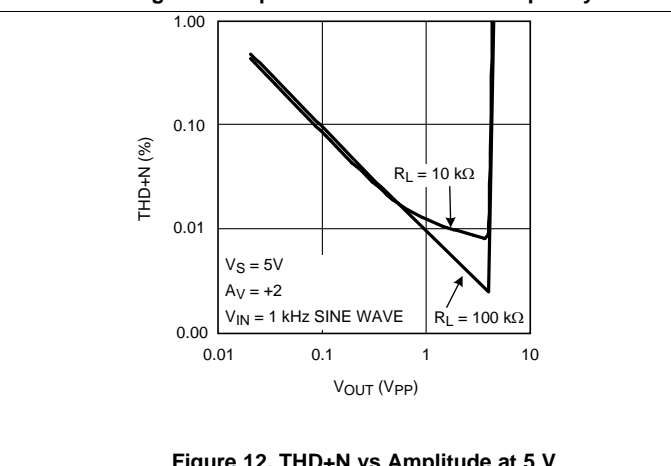
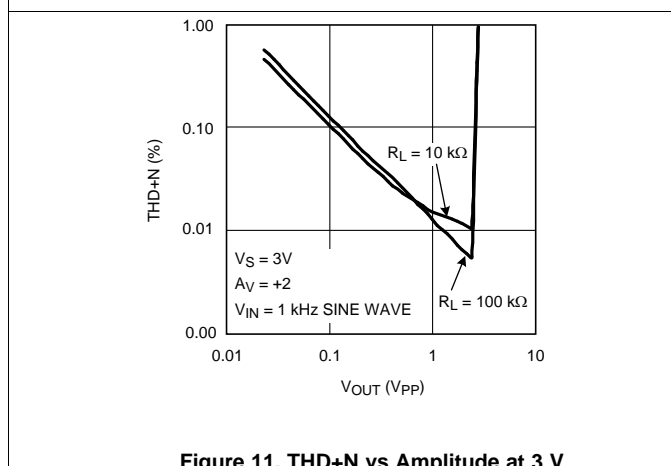
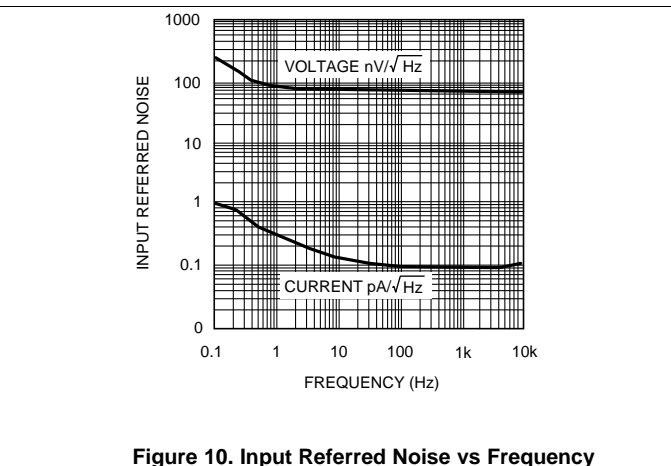
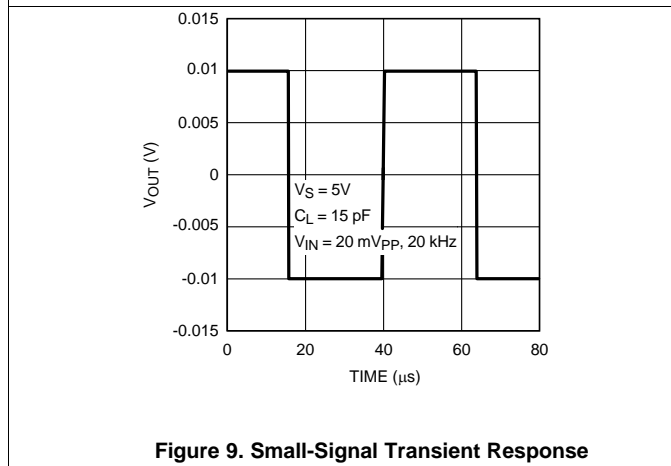
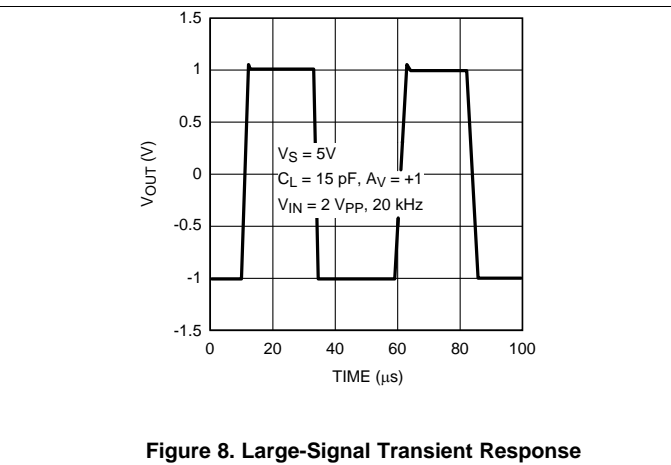
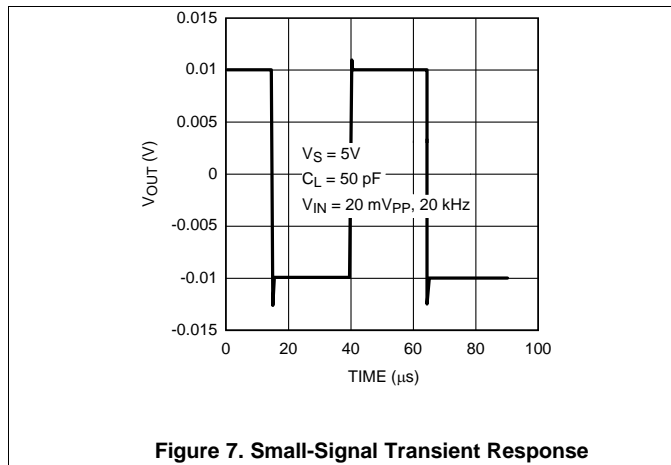


Figure 6. Slew Rate vs Supply voltage

Typical Characteristics (continued)



Typical Characteristics (continued)

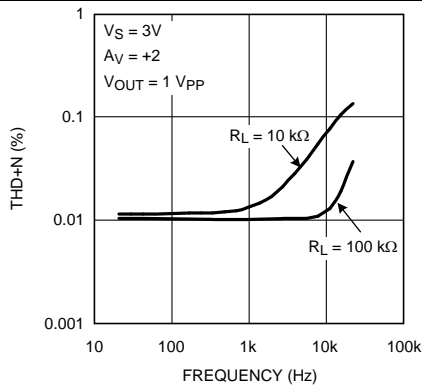


Figure 13. THD+N vs Amplitude

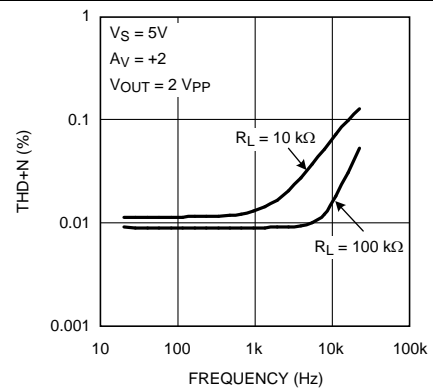


Figure 14. THD+N vs Amplitude

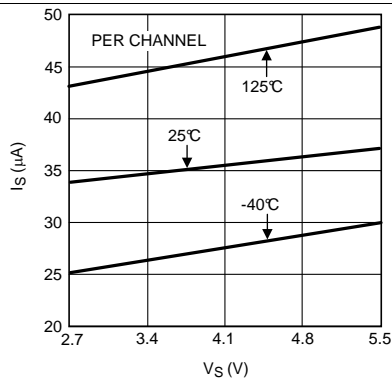


Figure 15. Supply Current vs Supply Voltage

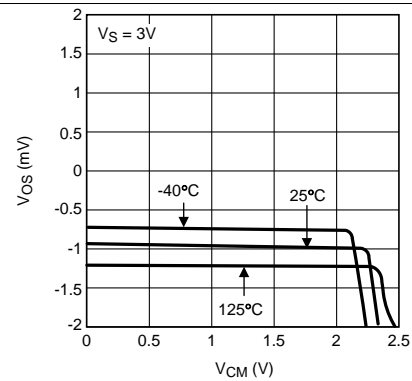


Figure 16. Vos vs VCM

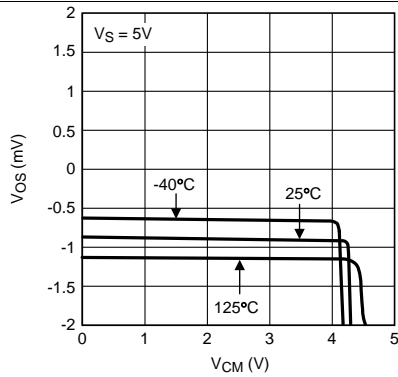


Figure 17. Vos vs VCM

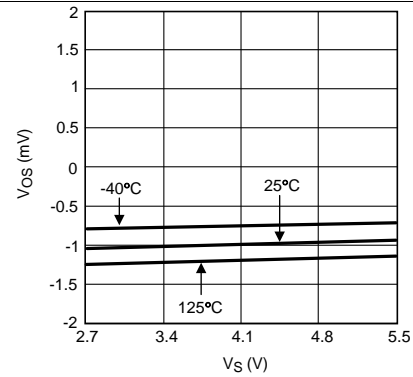


Figure 18. Vos vs Supply Voltage

Typical Characteristics (continued)

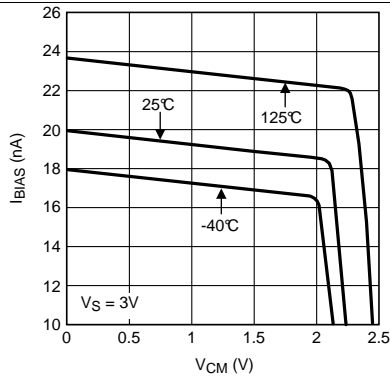


Figure 19. I_{BIAS} vs V_{CM}

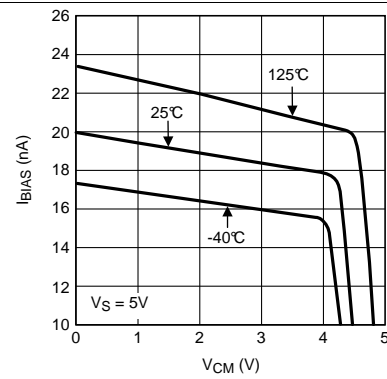


Figure 20. I_{BIAS} vs V_{CM}

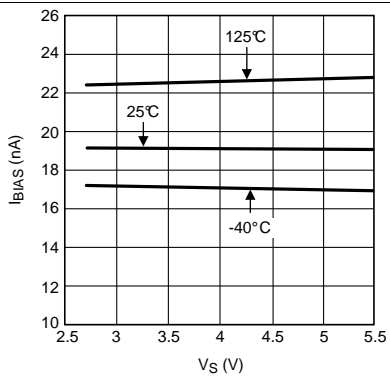


Figure 21. I_{BIAS} vs Supply Voltage

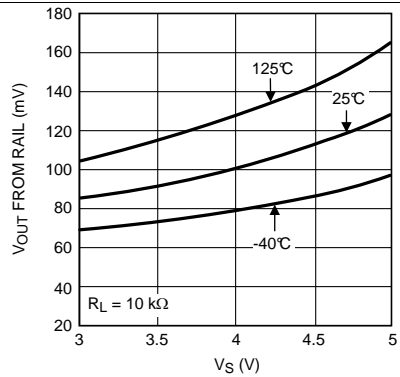


Figure 22. Positive Output Swing vs Supply Voltage

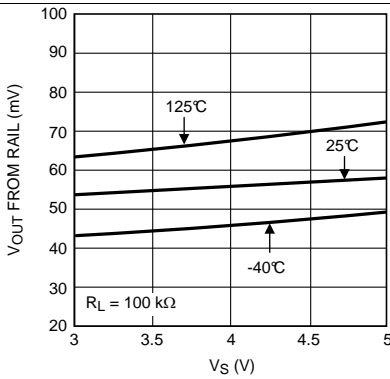


Figure 23. Negative Output Swing vs Supply Voltage

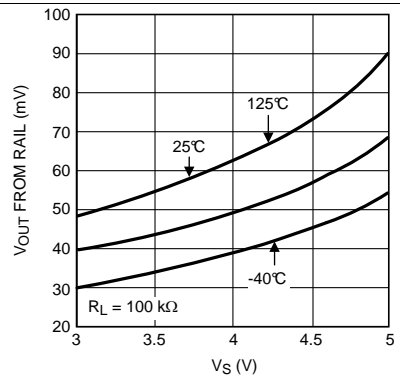


Figure 24. Positive Output Swing vs Supply Voltage

Typical Characteristics (continued)

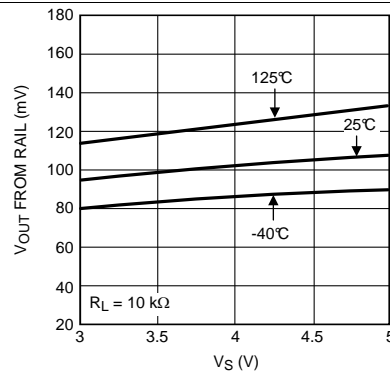


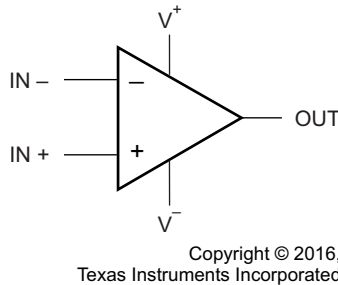
Figure 25. Negative Output Swing vs Supply Voltage

7 Detailed Description

7.1 Overview

The LMV551-Q1 is a high performance, low power operational amplifiers implemented with TI's advanced VIP50 process. The LMV551-Q1 features 3 MHz of bandwidth while consuming only 37 μA of current, which is an exceptional bandwidth to power ratio in this op amp class. This amplifier is unity gain stable and provide an excellent solution for low power applications requiring a wide bandwidth.

7.2 Functional Block Diagram



7.3 Feature Description

The differential inputs of the amplifier consist of a noninverting input (+IN) and an inverting input (-IN). The amplifier amplifies only the difference in voltage between the two inputs, which is called the differential input voltage. The output voltage of the op-amp V_{OUT} is given by [Equation 1](#):

$$V_{\text{OUT}} = A_{\text{OL}} (IN^+ - IN^-)$$

where

- A_{OL} is the open-loop gain of the amplifier, typically around 100 dB (100,000x, or 10 μV per volt). (1)

7.3.1 Low Voltage and Low Power Operation

The LMV551-Q1 has performance ensured at supply voltages of 3 V and 5 V and are ensured to be operational at all supply voltages from 2.7 V to 5.5 V. For this supply voltage range, the LMV551-Q1 draw the extremely low supply current of less than 37 μA .

7.3.2 Wide Bandwidth

The bandwidth to power ratio of 3 MHz to 37 μA per amplifier is one of the best bandwidth to power ratios ever achieved. This makes these devices ideal for low power signal processing applications such as portable media players and instrumentation.

7.3.3 Low Input Referred Noise

The LMV551-Q1 provides a flatband input referred voltage noise density of 70 $\text{nV}/\sqrt{\text{Hz}}$, which is significantly better than the noise performance expected from an ultra low power op amp. They also feature the exceptionally low $1/f$ noise corner frequency of 4 Hz. This noise specification makes the LMV551-Q1 ideal for low power applications such as mobile devices and portable sensors.

7.3.4 Ground Sensing and Rail-to-Rail Output

The LMV551-Q1 has a rail-to-rail output stage, which provides the maximum possible output dynamic range. This is especially important for applications requiring a large output swing. The input common mode range includes the negative supply rail which allows direct sensing at ground in a single supply operation.

Feature Description (continued)

7.3.5 Small Size

The small footprint of the DCK (SC-70) package saves space on printed circuit boards, and enable the design of smaller and more compact electronic products. Long traces between the signal source and the op amp make the signal path susceptible to noise. By using a physically smaller package, the amplifier can be placed closer to the signal source, reducing noise pickup and enhancing signal integrity.

7.4 Device Functional Modes

7.4.1 Stability Of Op Amp Circuits

7.4.1.1 Stability and Capacitive Loading

As seen in [Figure 26](#), the phase margin reduces significantly for C_L greater than 100 pF. This is because the op amp is designed to provide the maximum bandwidth possible for a low supply current. Stabilizing the amplifier for higher capacitive loads would have required either a drastic increase in supply current, or a large internal compensation capacitance, which would have reduced the bandwidth of the op amp. When the LMV551-Q1 is to be used for driving higher capacitive loads, it must be externally compensated.

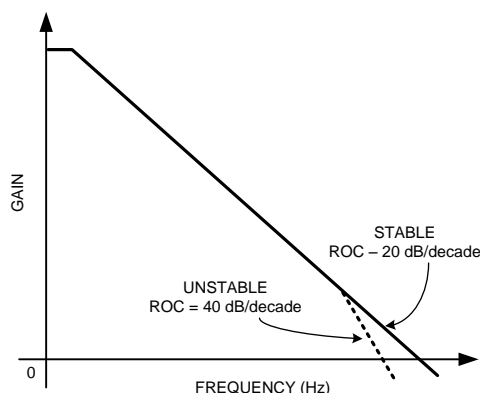


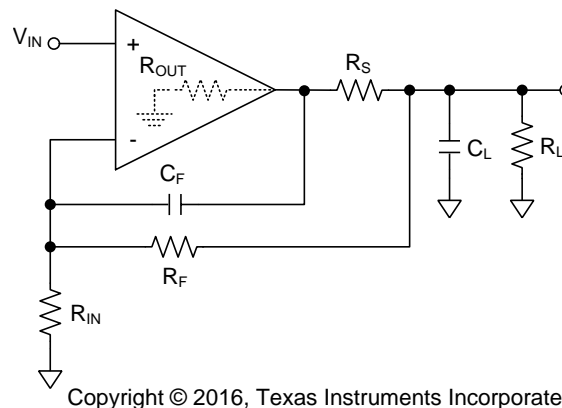
Figure 26. Gain vs Frequency for an Op Amp

An op amp, ideally, has a dominant pole close to DC, which causes its gain to decay at the rate of 20 dB/decade with respect to frequency. If this rate of decay, also known as the rate of closure (ROC), remains the same until the op amp's unity gain bandwidth crosses zero, the op amp is stable. If, however, a large capacitance is added to the output of the op amp, it combines with the output impedance of the op amp to create another pole in its frequency response before its unity gain frequency ([Figure 26](#)). This increases the ROC to 40 dB/decade and causes instability.

In such a case a number of techniques can be used to restore stability to the circuit. The idea behind all these schemes is to modify the frequency response such that it can be restored to an ROC of 20 dB/decade, which ensures stability.

7.4.1.1.1 In the Loop Compensation

[Figure 27](#) illustrates a compensation technique, known as *in the loop* compensation, that employs an RC feedback circuit within the feedback loop to stabilize a non-inverting amplifier configuration. A small series resistance, R_S , is used to isolate the amplifier output from the load capacitance, C_L , and a small capacitance, C_F , is inserted across the feedback resistor to bypass C_L at higher frequencies.

Device Functional Modes (continued)


Copyright © 2016, Texas Instruments Incorporated

Figure 27. In the Loop Compensation

The values for R_S and C_F are decided by ensuring that the zero attributed to C_F lies at the same frequency as the pole attributed to C_L . This ensures that the effect of the second pole on the transfer function is compensated for by the presence of the zero, and that the ROC is maintained at 20 dB/decade. For the circuit shown in [Figure 27](#) the values of R_S and C_F are given by [Equation 3](#). Values of R_S and C_F required for maintaining stability for different values of C_L , as well as the phase margins obtained, are shown in [Table 1](#). R_F , R_{IN} , and R_L are to be 10 k Ω , while R_{OUT} is 340 Ω .

$$R_S = \left(\frac{R_{OUT} \times R_{IN}}{R_F} \right) \quad (2)$$

$$C_F = \left(1 + \frac{1}{A_{CL}} \right) \times \left(\frac{R_F + 2R_{IN}}{R_F^2} \right) \times C_L \times R_{OUT} \quad (3)$$

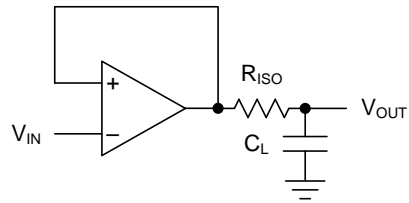
Table 1. Phase Margins

C_L (pF)	R_S (Ω)	C_F (pF)	PHASE MARGIN ($^\circ$)
50	340	8	47
100	340	15	42
150	340	22	40

Although this methodology provides circuit stability for any load capacitance, it does so at the price of bandwidth. The closed loop bandwidth of the circuit is now limited by R_F and C_F .

7.4.1.1.2 Compensation by External Resistor

In some applications it is essential to drive a capacitive load without sacrificing bandwidth. In such a case, in the loop compensation is not viable. A simpler scheme for compensation is shown in [Figure 28](#). A resistor, R_{ISO} , is placed in series between the load capacitance and the output. This introduces a zero in the circuit transfer function, which counteracts the effect of the pole formed by the load capacitance and ensures stability. Consider the size of C_L and the level of performance desired to determine the value of R_{ISO} . Values ranging from 5 Ω to 50 Ω are usually sufficient to ensure stability. A larger value of R_{ISO} results in a system with less ringing and overshoot, but also limits the output swing and the short-circuit current of the circuit.



Copyright © 2016, Texas Instruments Incorporated

Figure 28. Compensation by Isolation Resistor

8 Application and Implementation

NOTE

Information in the following applications sections is not part of the TI component specification, and TI does not warrant its accuracy or completeness. TI's customers are responsible for determining suitability of components for their purposes. Customers should validate and test their design implementation to confirm system functionality.

8.1 Application Information

The LMV551-Q1 has an operating supply voltage range from 2.7 V to 5.5 V. This amplifier can operate over a wide temperature range (-40°C to 125°C), making it a great choice for automotive applications, sensor applications as well as portable instrumentation applications.

With a wide unity gain bandwidth of 3 MHz, low input referred noise density and an excellent BW to supply current ratio, the LMV551-Q1 is well suited for low-power filtering applications. Active filter topologies, such as the Sallen-Key low pass filter shown in Figure 29, are very versatile, and can be used to design a wide variety of filters (Chebyshev, Butterworth or Bessel). For best results, the amplifier must have a bandwidth that is eight to ten times the filter frequency bandwidth. Failure to follow this guideline can result in phase shift of the amplifier and premature roll-off. The Sallen-Key topology, in particular, can be used to attain a wide range of Q, by using positive feedback to reject the undesired frequency range.

8.2 Typical Application

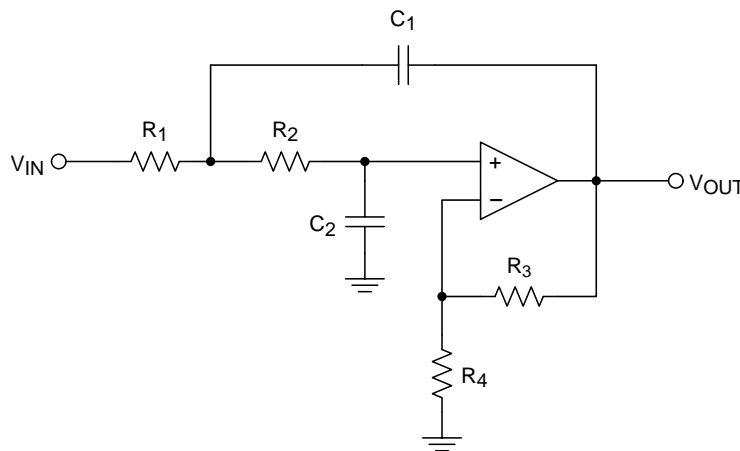


Figure 29. Two Pole Sallen-Key Low Pass Filter

8.2.1 Design Requirements

As a design example:

Require: $A_{LP} = 10$, less than 1dB passband ripple, and a cutoff frequency of 1kHz.

8.2.2 Detailed Design Procedure

There are many resources discussing the Sallen-Key lowpass filter topology.

Texas Instruments has made filter design easy by creating on-line and stand alone design tools, such as Webench Filter Designer and Filter Pro Desktop.

For this design, the stand-alone Filter Pro Desktop is used.

For the design, the following parameters are entered into the Filterpro software:

- Filter Type = Lowpass
- Gain = 10 V/V (20dB)
- Passband Frequency = 1 kHz

Typical Application (continued)

- Allowable Ripple = 1 dB
- Filter Order = Checked and set to 2
- Response Type = Butterworth
- Filter Topology = Sallen-Key
- Component Tolerance - Resistor = E96 1%
- Component Tolerance - Capacitor = E6 20%

After entering these values, FilterPro returns the following recommended values:

- R1 = 44.2 kΩ
- R2 = 38.3 kΩ
- R3 = 2.49 kΩ
- R4 = 22.6 kΩ
- C1 = 10 nF
- C2 = 1.5 nF

The LMV551-Q1 is targeted for low power operation. The above resistor values are assumed for a *standard* power application. To save both quiescent and dynamic power, increase the value of the resistors.

The largest consumer of power is the gain setting feedback resistors R3 and R4, as these are DC coupled and represent a constant DC load to the amplifier. If the output is biased at 2.5 V, then $2.5 \text{ V} / (22.6 \text{ k}\Omega + 2.49 \text{ k}\Omega) = 99.6 \mu\text{A}$ is flowing through the feedback network. This is significantly more than the 37uA quiescent current of the amplifier alone! Increasing the size of the feedback resistors by a decade from 22.6kΩ to 226kΩ, the current in the feedback network can be reduced down to 9.9μA.

Increasing the resistor values requires a proportional decrease in the values of the capacitors. If a resistor value is increased 10x, then the corresponding capacitor value must be decreased 10x. However, note that increasing the resistor values increases the contributed noise, and decreasing the capacitors to small values increases the sensitivity to stray capacitance.

There is a decision to be made about also scaling the filter components (R1, R2, C1 & C2). R1 and R2 are AC coupled to the output, so the only DC current flowing through these resistors is the input bias current of the LMV551-Q1 (typically 20 nA). However, large AC currents can flow through C2 and C1 during large signal swings. Scaling the filter components also reduces the peak AC signal currents. If the AC signals are expected to large (several Vpp) and frequent, then scaling the filter values may be beneficial to overall power consumption. If the expected AC signals are small, it may not be worth the noise tradeoff to scale these values.

Because the LMV551-Q1 has a bipolar input, to maintain DC accuracy, the equivalent resistance seen by each amplifier input should be equal to cancel the bias current effects.

To maintain DC accuracy through bias current cancelling, the following relationship should be maintained:

$$(R1 + R2) = (R3 \parallel R4) \tag{4}$$

Fortunately, the filter Pro software makes changing and recalculating the values easy. By changing the value of any of the filter components (R1, R2, C1 & C2) in the schematic tab, the program automatically recalculates and scale these components. Conversely, changing the gain feedback components (R3 or R4) also causes the other feedback resistor to scale. However, Filter Pro does NOT maintain the relationship between the feedback and filter elements as described in [Equation 4](#) above. The feedback resistor values can be 'seeded' and scaled appropriately, as long as the original feedback resistor ratio is maintained.

Typical Application (continued)

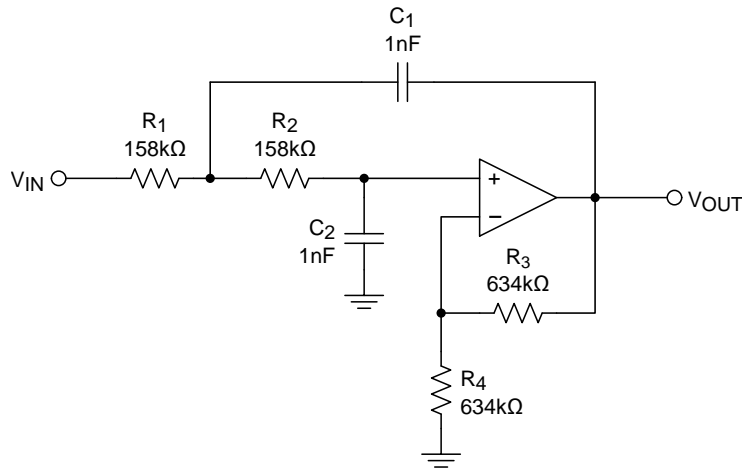


Figure 30. 1-kHz Sallen-Key Low Pass Filter with Values

8.2.3 Application Curve

Figure 31 shows the simulated results of the example 1-KHz Sallen-Key Low Pass Filter.

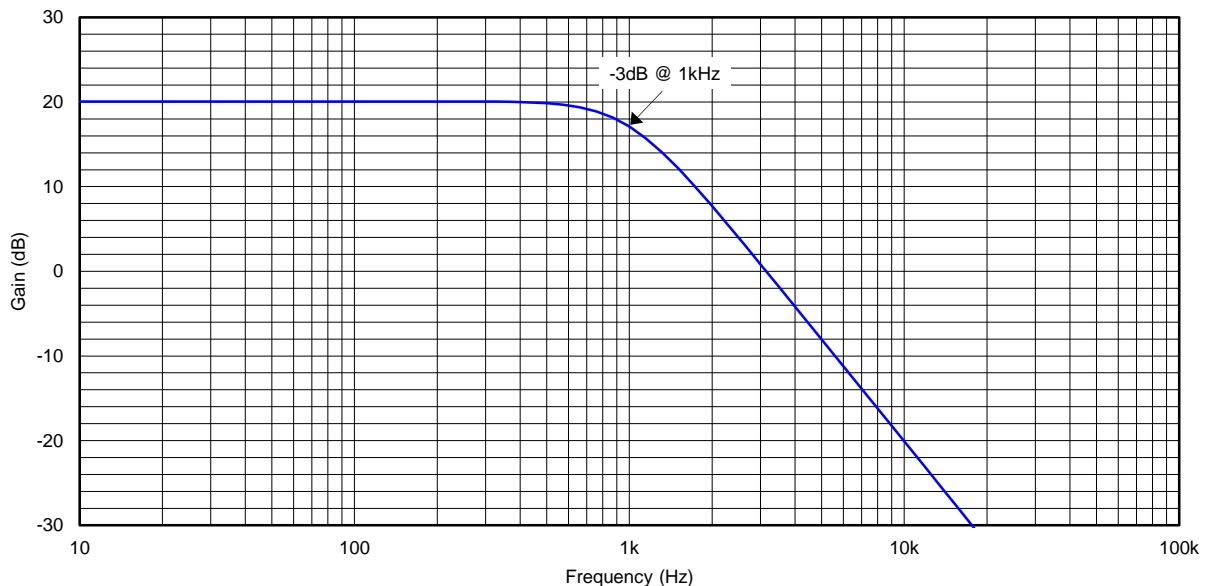


Figure 31. 1KHz, 2-Pole Sallen-Key Low Pass Filter Results

8.3 Dos and Don'ts

Do properly bypass the power supplies.

Do add series resistance to the output when driving capacitive loads, particularly cables, Multiplexers and ADC inputs.

Do add series current limiting resistors and external Schottky clamp diodes if input voltage is expected to exceed the supplies. Limit the current to 1 mA or less (1 kΩ per V).

9 Power Supply Recommendations

For proper operation, the power supplies must be properly decoupled. For decoupling the supply lines, TI recommends that 10-nF capacitors be placed as close as possible to the op amp power supply pins. For single-supply, place a capacitor between V^+ and V^- supply pins. For dual supplies, place one capacitor between V^+ and ground, and one capacitor between V^- and ground.

10 Layout

10.1 Layout Guidelines

The V^+ pin should be bypassed to ground with a low-ESR capacitor.

The optimum placement is closest to the V^+ and ground pins.

Ensure to minimize the loop area formed by the bypass capacitor connection between V^+ and ground.

Connect the ground pin to the PCB ground plane at the pin of the device.

Place the feedback components as close to the device as possible and minimizing stray trace capacitance.

10.2 Layout Example

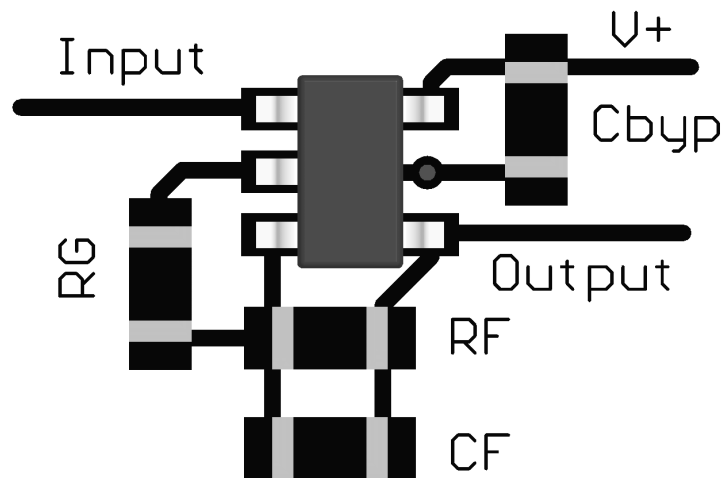


Figure 32. SC-70 Layout Example

11 Device and Documentation Support

11.1 Device Support

11.1.1 Development Support

[LMV551 PSPICE Model](#) (compatible with the LMV551-Q1)

[TINA-TI SPICE-Based Analog Simulation Program](#)

[DIP Adapter Evaluation Module](#)

[TI Universal Operational Amplifier Evaluation Module](#)

[TI Filterpro Software](#)

11.2 Documentation Support

11.2.1 Related Documentation

For additional applications, see the following: [AN-31 Op Amp Circuit Collection](#), [SNLA140](#)

11.3 Receiving Notification of Documentation Updates

To receive notification of documentation updates, navigate to the device product folder on ti.com. In the upper right corner, click on *Alert me* to register and receive a weekly digest of any product information that has changed. For change details, review the revision history included in any revised document.

11.4 Community Resources

The following links connect to TI community resources. Linked contents are provided "AS IS" by the respective contributors. They do not constitute TI specifications and do not necessarily reflect TI's views; see TI's [Terms of Use](#).

TI E2E™ Online Community *TI's Engineer-to-Engineer (E2E) Community*. Created to foster collaboration among engineers. At e2e.ti.com, you can ask questions, share knowledge, explore ideas and help solve problems with fellow engineers.

Design Support *TI's Design Support* Quickly find helpful E2E forums along with design support tools and contact information for technical support.

11.5 Trademarks

E2E is a trademark of Texas Instruments.
All other trademarks are the property of their respective owners.

11.6 Electrostatic Discharge Caution



These devices have limited built-in ESD protection. The leads should be shorted together or the device placed in conductive foam during storage or handling to prevent electrostatic damage to the MOS gates.

11.7 Glossary

[SLYZ022](#) — *TI Glossary*.

This glossary lists and explains terms, acronyms, and definitions.

12 Mechanical, Packaging, and Orderable Information

The following pages include mechanical, packaging, and orderable information. This information is the most current data available for the designated devices. This data is subject to change without notice and revision of this document. For browser-based versions of this data sheet, refer to the left-hand navigation.

PACKAGING INFORMATION

Orderable Device	Status (1)	Package Type	Package Drawing	Pins	Package Qty	Eco Plan (2)	Lead finish/ Ball material (6)	MSL Peak Temp (3)	Op Temp (°C)	Device Marking (4/5)	Samples
LMV551QDCKRQ1	ACTIVE	SC70	DCK	5	3000	RoHS & Green	SN	Level-1-260C-UNLIM	-40 to 125	14U	Samples

(1) The marketing status values are defined as follows:

ACTIVE: Product device recommended for new designs.

LIFEBUY: TI has announced that the device will be discontinued, and a lifetime-buy period is in effect.

NRND: Not recommended for new designs. Device is in production to support existing customers, but TI does not recommend using this part in a new design.

PREVIEW: Device has been announced but is not in production. Samples may or may not be available.

OBSOLETE: TI has discontinued the production of the device.

(2) **RoHS:** TI defines "RoHS" to mean semiconductor products that are compliant with the current EU RoHS requirements for all 10 RoHS substances, including the requirement that RoHS substance do not exceed 0.1% by weight in homogeneous materials. Where designed to be soldered at high temperatures, "RoHS" products are suitable for use in specified lead-free processes. TI may reference these types of products as "Pb-Free".

RoHS Exempt: TI defines "RoHS Exempt" to mean products that contain lead but are compliant with EU RoHS pursuant to a specific EU RoHS exemption.

Green: TI defines "Green" to mean the content of Chlorine (Cl) and Bromine (Br) based flame retardants meet JS709B low halogen requirements of <=1000ppm threshold. Antimony trioxide based flame retardants must also meet the <=1000ppm threshold requirement.

(3) MSL, Peak Temp. - The Moisture Sensitivity Level rating according to the JEDEC industry standard classifications, and peak solder temperature.

(4) There may be additional marking, which relates to the logo, the lot trace code information, or the environmental category on the device.

(5) Multiple Device Markings will be inside parentheses. Only one Device Marking contained in parentheses and separated by a "-" will appear on a device. If a line is indented then it is a continuation of the previous line and the two combined represent the entire Device Marking for that device.

(6) Lead finish/Ball material - Orderable Devices may have multiple material finish options. Finish options are separated by a vertical ruled line. Lead finish/Ball material values may wrap to two lines if the finish value exceeds the maximum column width.

Important Information and Disclaimer: The information provided on this page represents TI's knowledge and belief as of the date that it is provided. TI bases its knowledge and belief on information provided by third parties, and makes no representation or warranty as to the accuracy of such information. Efforts are underway to better integrate information from third parties. TI has taken and continues to take reasonable steps to provide representative and accurate information but may not have conducted destructive testing or chemical analysis on incoming materials and chemicals. TI and TI suppliers consider certain information to be proprietary, and thus CAS numbers and other limited information may not be available for release.

In no event shall TI's liability arising out of such information exceed the total purchase price of the TI part(s) at issue in this document sold by TI to Customer on an annual basis.

OTHER QUALIFIED VERSIONS OF LMV551-Q1 :

- Catalog: [LMV551](#)

NOTE: Qualified Version Definitions:

- Catalog - TI's standard catalog product

TAPE AND REEL INFORMATION

QUADRANT ASSIGNMENTS FOR PIN 1 ORIENTATION IN TAPE

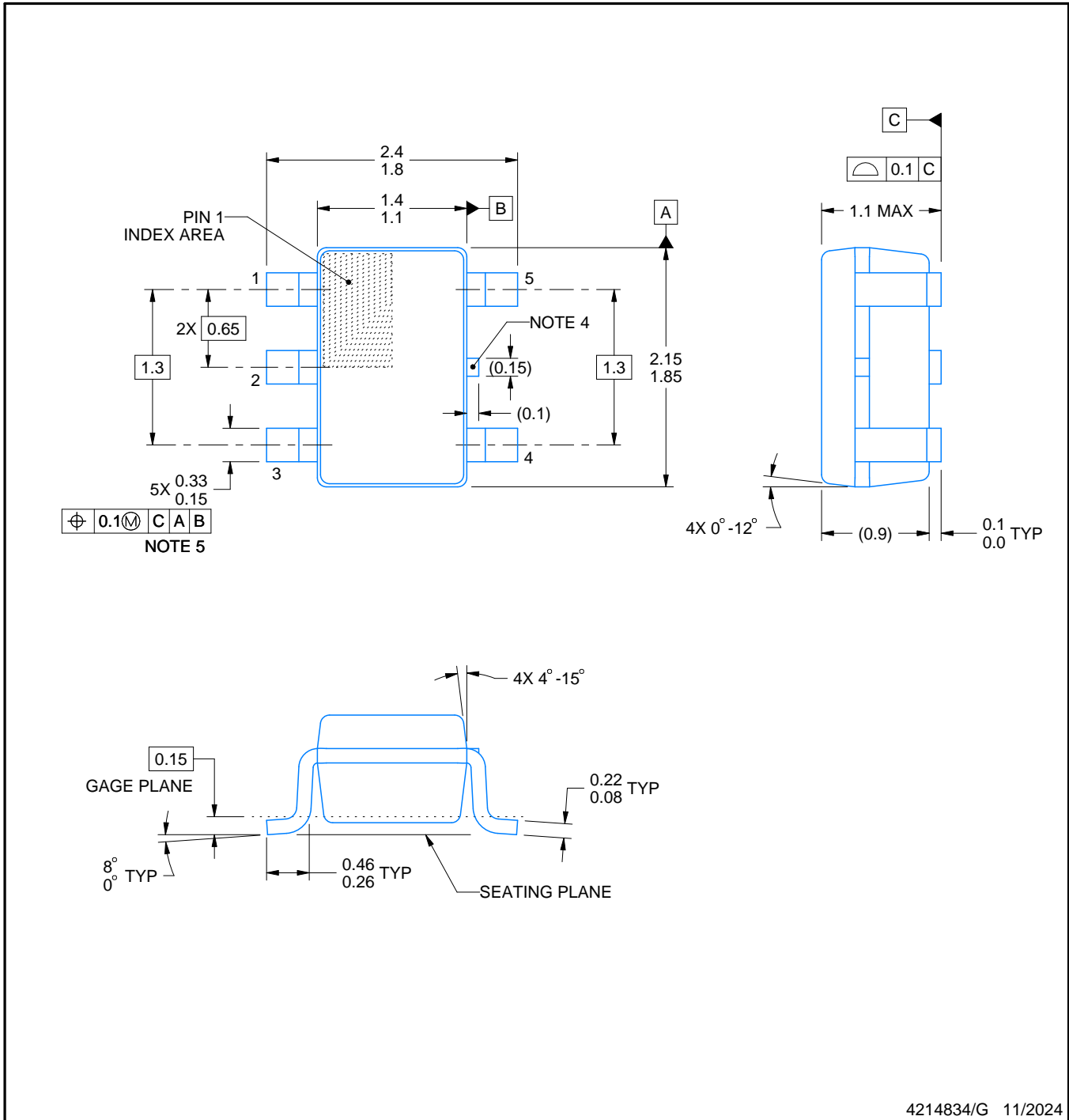

*All dimensions are nominal

Device	Package Type	Package Drawing	Pins	SPQ	Reel Diameter (mm)	Reel Width W1 (mm)	A0 (mm)	B0 (mm)	K0 (mm)	P1 (mm)	W (mm)	Pin1 Quadrant
LMV551QDCKRQ1	SC70	DCK	5	3000	178.0	8.4	2.25	2.45	1.2	4.0	8.0	Q3

TAPE AND REEL BOX DIMENSIONS


*All dimensions are nominal

Device	Package Type	Package Drawing	Pins	SPQ	Length (mm)	Width (mm)	Height (mm)
LMV551QDCKRQ1	SC70	DCK	5	3000	208.0	191.0	35.0



NOTES:

1. All linear dimensions are in millimeters. Any dimensions in parenthesis are for reference only. Dimensioning and tolerancing per ASME Y14.5M.
2. This drawing is subject to change without notice.
3. Reference JEDEC MO-203.
4. Support pin may differ or may not be present.
5. Lead width does not comply with JEDEC.
6. Body dimensions do not include mold flash, protrusions, or gate burrs. Mold flash, protrusions, or gate burrs shall not exceed 0.25mm per side

EXAMPLE BOARD LAYOUT

DCK0005A

SOT - 1.1 max height

SMALL OUTLINE TRANSISTOR



LAND PATTERN EXAMPLE
EXPOSED METAL SHOWN
SCALE:18X



SOLDER MASK DETAILS

4214834/G 11/2024

NOTES: (continued)

- 7. Publication IPC-7351 may have alternate designs.
- 8. Solder mask tolerances between and around signal pads can vary based on board fabrication site.

EXAMPLE STENCIL DESIGN

DCK0005A

SOT - 1.1 max height

SMALL OUTLINE TRANSISTOR



SOLDER PASTE EXAMPLE
BASED ON 0.125 THICK STENCIL
SCALE: 18X

4214834/G 11/2024

NOTES: (continued)

9. Laser cutting apertures with trapezoidal walls and rounded corners may offer better paste release. IPC-7525 may have alternate design recommendations.
10. Board assembly site may have different recommendations for stencil design.

IMPORTANT NOTICE AND DISCLAIMER

TI PROVIDES TECHNICAL AND RELIABILITY DATA (INCLUDING DATA SHEETS), DESIGN RESOURCES (INCLUDING REFERENCE DESIGNS), APPLICATION OR OTHER DESIGN ADVICE, WEB TOOLS, SAFETY INFORMATION, AND OTHER RESOURCES "AS IS" AND WITH ALL FAULTS, AND DISCLAIMS ALL WARRANTIES, EXPRESS AND IMPLIED, INCLUDING WITHOUT LIMITATION ANY IMPLIED WARRANTIES OF MERCHANTABILITY, FITNESS FOR A PARTICULAR PURPOSE OR NON-INFRINGEMENT OF THIRD PARTY INTELLECTUAL PROPERTY RIGHTS.

These resources are intended for skilled developers designing with TI products. You are solely responsible for (1) selecting the appropriate TI products for your application, (2) designing, validating and testing your application, and (3) ensuring your application meets applicable standards, and any other safety, security, regulatory or other requirements.

These resources are subject to change without notice. TI grants you permission to use these resources only for development of an application that uses the TI products described in the resource. Other reproduction and display of these resources is prohibited. No license is granted to any other TI intellectual property right or to any third party intellectual property right. TI disclaims responsibility for, and you will fully indemnify TI and its representatives against, any claims, damages, costs, losses, and liabilities arising out of your use of these resources.

TI's products are provided subject to [TI's Terms of Sale](#) or other applicable terms available either on [ti.com](https://www.ti.com) or provided in conjunction with such TI products. TI's provision of these resources does not expand or otherwise alter TI's applicable warranties or warranty disclaimers for TI products.

TI objects to and rejects any additional or different terms you may have proposed.

Mailing Address: Texas Instruments, Post Office Box 655303, Dallas, Texas 75265

Copyright © 2025, Texas Instruments Incorporated