

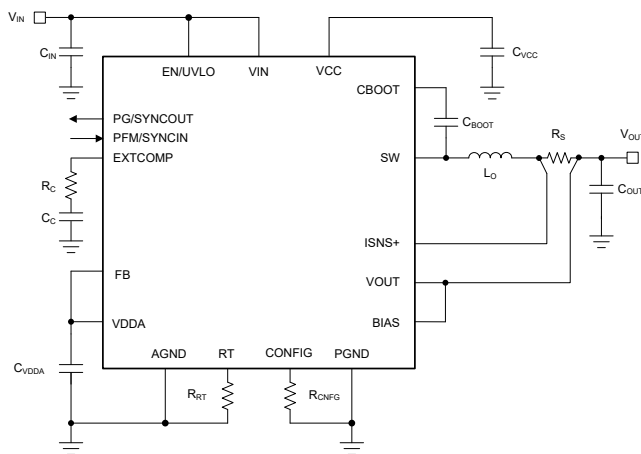
LM706x0 65V, 10A/6A, High-Efficiency Buck Converter Designed for High Power Density

1 Features

- **Functional Safety-Capable**
 - Documentation available to aid functional safety system design
- Synchronous DC/DC converter with a versatile buck controller and robust power MOSFETs
 - Wide input voltage range: 4.5V to 65V
 - Shutdown mode current: 2.3μA
 - No-load I_Q regulating 24V to 5V: 10.4μA
 - 1% accurate, fixed 3.3V, 5V, 12V, or adjustable outputs from 0.8V to 36V
 - Dual-phase operation enabling output currents up to 16A
- Designed for low EMI requirements
 - Facilitates CISPR 11 Class B compliance
 - Pin-selectable $\pm 8\%$ dual-random spread spectrum reduces peak emissions
 - Switching frequency: 200kHz to 2.2MHz
 - Pin-configurable AUTO or FPWM operation
- Inherent protection features for robust design
 - Internal hiccup-mode overcurrent protection
 - Enable, power good, and thermal shutdown
 - Internal or external loop compensation
- 6mm × 6mm thermally optimized, RoHS compliant, QFN-29 package with Pb-free plating
- Create a custom design using the LM706x0 with the [WEBENCH® Power Designer](#)

2 Applications

- **Industrial: motor drives (Servo/AC), factory automation, off-highway vehicles and eBikes**



Typical Application Circuit

- **Communications: WLAN, AAS and RRU**

3 Description

The LM706x0 is a family of low- I_Q , wide- V_{IN} synchronous buck converters designed for an input voltage range of 4.5V to 65V and delivering up to 10A of output current at fixed output voltages of 3.3V, 5V, 12V, or an adjustable output.

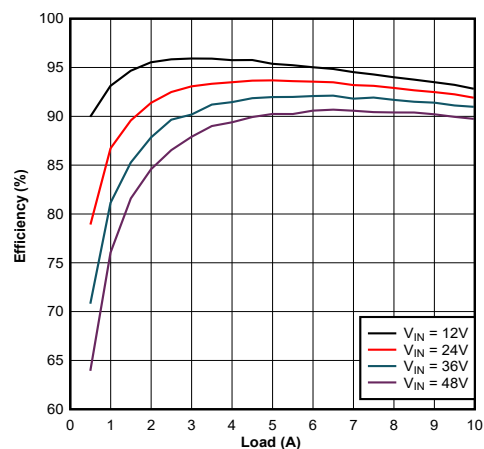
The LM706x0 uses a peak current-mode control architecture for easy loop compensation, fast transient response, and excellent load and line regulation. A pair of LM706x0 converters can be set up in an interleaved mode (paralleled outputs) with accurate current sharing for applications requiring up to 20A of output current.

The LM706x0 features a unique Dual Random Spread Spectrum (DRSS) function that combines low-frequency triangular and high-frequency cycle-by-cycle random modulations for improved EMI performance across a wide range of frequency bands.

Device Information

| PART NUMBER | PACKAGE ⁽¹⁾ | PACKAGE SIZE ⁽²⁾ |
|-------------|------------------------|-----------------------------|
| LM706A0 | RRX (VQFN, 29) | 6mm × 6mm |
| LM70660 | | |

- (1) For more information, see [Mechanical, Packaging, and Orderable Information](#).
- (2) The package size (length × width) is a nominal value and includes pins, where applicable.



Typical Efficiency $V_{OUT} = 5V$, $f_{SW} = 400kHz$



Additional features of the LM706x0 include user-selectable diode emulation for lower current consumption at light-load conditions, open-drain Power-Good flag for fault reporting and output monitoring, precision enable input, monotonic start-up into prebiased load, integrated VCC bias supply regulator, internal 2.8ms soft-start time, and thermal shutdown protection with automatic recovery.

The LM706x0 converter comes in a 6mm × 6mm thermally-optimized, 29-pin QFN package. The three die-attach pads (VIN, SW, and PGND) improve thermal performance and board level reliability (BLR).

Table of Contents

| | | | |
|--|-----------|--|-----------|
| 1 Features | 1 | 7.1 Application Information..... | 25 |
| 2 Applications | 1 | 7.2 Typical Applications..... | 33 |
| 3 Description | 1 | 7.3 Power Supply Recommendations..... | 44 |
| 4 Pin Configuration and Functions | 3 | 7.4 Layout..... | 44 |
| 5 Specifications | 5 | 8 Device and Documentation Support | 47 |
| 5.1 Absolute Maximum Ratings..... | 5 | 8.1 Device Support..... | 47 |
| 5.2 ESD Ratings..... | 5 | 8.2 Documentation Support..... | 47 |
| 5.3 Recommended Operating Conditions..... | 5 | 8.3 Receiving Notification of Documentation Updates..... | 48 |
| 5.4 Thermal Information..... | 6 | 8.4 Support Resources..... | 48 |
| 5.5 Electrical Characteristics..... | 6 | 8.5 Trademarks..... | 48 |
| 5.6 Typical Characteristics..... | 9 | 8.6 Electrostatic Discharge Caution..... | 48 |
| 6 Detailed Description | 12 | 8.7 Glossary..... | 48 |
| 6.1 Overview..... | 12 | 9 Revision History | 48 |
| 6.2 Functional Block Diagram..... | 13 | 10 Mechanical, Packaging, and Orderable Information | 48 |
| 6.3 Feature Description..... | 14 | 10.1 Tape and Reel Information..... | 49 |
| 6.4 Device Functional Modes..... | 24 | | |
| 7 Application and Implementation | 25 | | |

4 Pin Configuration and Functions

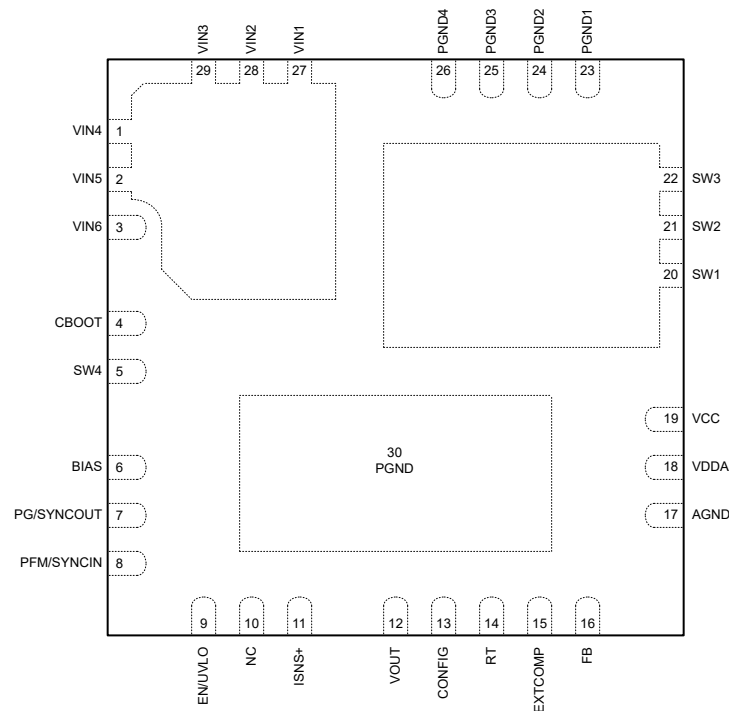


Figure 4-1. RRX Package, 29-Pin VQFN (Top View)

Table 4-1. Pin Functions

| PIN | | TYPE ⁽¹⁾ | DESCRIPTION |
|-----|-------|---------------------|--|
| NO. | NAME | | |
| 1 | VIN4 | P | Converter input pins to the drain of the high-side power MOSFET and the VCC regulator (VIN6). Connect to the input supply and the input filter capacitors. The path from the VIN pin to the input capacitors must be as short as possible. |
| 2 | VIN5 | P | |
| 3 | VIN6 | P | |
| 4 | CBOOT | P | High-side driver supply for the bootstrap gate drive. Connect a 47nF bootstrap capacitor between the CBOOT and SW4 pins. If VCC = 8V is selected , add a 1Ω resistor in series with the bootstrap capacitor. |

Table 4-1. Pin Functions (continued)

| PIN | | TYPE ⁽¹⁾ | DESCRIPTION |
|-----|--------------|---------------------|---|
| NO. | NAME | | |
| 5 | SW4 | P | Switch pin. Connect a 47nF bootstrap capacitor between the CBOOT and SW4 pins. This pin is internally connected to the switch pins SW1, SW2, and SW3. There is no need to route this pin to the other switch pins on a PCB. |
| 6 | BIAS | P | Optional input for an external bias supply. If configured for 3.3V fixed VOUT, connect the BIAS pin to an external bias supply from 5V to 30V. If configured for 5V fixed VOUT, connect the BIAS pin to the VOUT node or an external bias supply from 5V to 30V. If configured for 12V fixed or an adjustable VOUT, connect the BIAS pin to the VOUT node or an external bias supply from 10V to 30V. If the output voltage is above 30V and no external supply is used, tie the BIAS pin to GND. |
| 7 | PG / SYNCOUT | O | Power-Good / Sync Output pin. This pin is an open-collector output that goes low if VOUT is outside of the specified regulation window. PG / SYNCOUT can also be used as a synchronization output to synchronize the internal oscillator of the secondary device to the oscillator of the primary device. |
| 8 | PFM / SYNCIN | I | PFM / FPWM mode selection and synchronization input pin. Connect the PFM / SYNCIN pin to VDDA to enable diode emulation mode. Connect the PFM / SYNCIN pin to AGND to operate in Forced PWM (FPWM) mode with continuous conduction at light loads. The PFM / SYNCIN pin can also be used as a synchronization input to synchronize the internal oscillator to an external clock. |
| 9 | EN / UVLO | I | Enable / undervoltage lockout pin. Drive this pin high / low to enable / disable the device. If the enable function is not needed, tie this pin to VIN. Connect an external resistor divider network to set UVLO threshold. |
| 10 | NC | P | No connect pin. Leave floating or tie to GND. |
| 11 | ISNS+ | I | Current sense amplifier input. Connect the ISNS+ pin to the inductor side of the external current sense resistor using a low-current Kelvin connection. |
| 12 | VOUT | I | Output voltage sense and the current sense amplifier input. Connect the VOUT pin to the output side of the respective current sense resistor. |
| 13 | CONFIG | I | Configuration pin. Connect a resistor to ground to set primary/secondary, spread spectrum enable/disable, or interleaved operation. |
| 14 | RT | I | Frequency programming pin. A resistor from RT to AGND sets the oscillator frequency between 200kHz and 2.2MHz. |
| 15 | EXTCOMP | O | External compensation pin. This pin is the output of the transconductance amplifier. If used, connect the compensation network from the EXTCOMP pin to AGND. Connect a 100kΩ resistor between the EXTCOMP and VDDA pins to use the internal compensation. |
| 16 | FB | I | Feedback pin. Connect a resistor between FB and VDDA to set the output voltage to 3.3V, 5V or 12V. Connect a resistor divider network from VOUT to FB to set the output voltage level between 0.8V to 36V. The voltage reference setpoint is 0.8V. |
| 17 | AGND | G | Analog ground pin. Ground return for the internal voltage reference and analog circuits. |
| 18 | VDDA | P | Internal analog bias regulator output pin. Connect a 0.1μF ceramic decoupling capacitor from VDDA to AGND as close as possible to the pins. |
| 19 | VCC | P | VCC bias supply pin. Connect a 4.7μF ceramic capacitors between VCC and PGND as close as possible to the pins. |
| 20 | SW1 | P | Switch pins. These pins form a switching node that is internally connected to the source terminal of the buck switch (high-side MOSFET) and the drain terminal of the synchronous rectifier (low-side MOSFET). Connect to the buck inductor. |
| 21 | SW2 | P | |
| 22 | SW3 | P | |
| 23 | PGND1 | G | Power ground pins. These pins form a power ground node for the low-side MOSFET. Connect to the system ground on a PCB. Path to CIN must be as short as possible. |
| 24 | PGND2 | G | |
| 25 | PGND3 | G | |
| 26 | PGND4 | G | |
| 27 | VIN1 | P | Converter input pins to the drain of the high-side power MOSFET. Connect to the input supply and the input filter capacitors. The path from the VIN pin to the input capacitors must be as short as possible. |
| 28 | VIN2 | P | |
| 29 | VIN3 | P | |
| 30 | PGND | G | Controller power ground pin. Connect to the system ground using multiple vias. |

(1) P = Power, G = Ground, I = Input, O = Output.

5 Specifications

5.1 Absolute Maximum Ratings

Over the recommended operating junction temperature range (unless otherwise noted) ⁽¹⁾

| | | MIN | MAX | UNIT |
|------------------|--|------|-----|------|
| Pin voltage | VIN to PGND | -0.3 | 70 | V |
| Pin voltage | SW to PGND | -0.3 | 70 | V |
| Pin voltage | SW to PGND transient < 20ns | -5 | 75 | V |
| Pin voltage | CBOOT to SW | -0.3 | 10 | V |
| Pin voltage | CBOOT to SW, transient < 20ns | -2 | | V |
| Pin voltage | EN/UVLO to PGND | -0.3 | 70 | V |
| Pin voltage | VDDA, PG/SYNCOOUT, FB, CONFIG, PFM/SYNCIN, RT, EXTCOMP to AGND | -0.3 | 6.5 | V |
| Pin voltage | VCC to AGND | -0.3 | 10 | V |
| Pin voltage | BIAS to AGND | -0.3 | 32 | V |
| Pin voltage | VOOUT, ISNS+ to PGND | -0.3 | 40 | V |
| Pin voltage | VOOUT to ISNS+ | -0.3 | 0.3 | V |
| Pin voltage | PGND to AGND | -0.3 | 0.3 | V |
| T _J | Operating junction temperature | -40 | 150 | °C |
| T _{stg} | Storage temperature | -55 | 150 | °C |

- (1) Operation outside the *Absolute Maximum Ratings* may cause permanent device damage. *Absolute Maximum Ratings* do not imply functional operation of the device at these or any other conditions beyond those listed under *Recommended Operating Conditions*. If used outside the *Recommended Operating Conditions* but within the *Absolute Maximum Ratings*, the device may not be fully functional, and this may affect device reliability, functionality, performance, and shorten the device lifetime.

5.2 ESD Ratings

| | | VALUE | UNIT |
|--------------------|-------------------------|---|------|
| V _(ESD) | Electrostatic discharge | Human-body model (HBM), per ANSI/ESDA/JEDEC JS-001 ⁽¹⁾ | V |
| | | Charged-device model (CDM), per ANSI/ESDA/JEDEC JS-002 ⁽²⁾ | |

- (1) JEDEC document JEP155 states that 500V HBM allows safe manufacturing with a standard ESD control process.
(2) JEDEC document JEP157 states that 250V CDM allows safe manufacturing with a standard ESD control process.

5.3 Recommended Operating Conditions

Over operating junction temperature range (unless otherwise noted)

| | | MIN | NOM | MAX | UNIT |
|------------------|-------------------------------|-------------------------------------|-----|------|------|
| V _{IN} | Input supply voltage range | 4.5 | | 65 | V |
| V _{OUT} | Output voltage range | 0.8 | | 36 | V |
| | Pin voltage | VIN, EN/UVLO, SW to PGND | | 65 | V |
| | Pin voltage | -0.3 | 8 | 8.5 | V |
| | Pin voltage | FB, PFM/SYNCIN, PG/SYNCOOUT to AGND | | 5.25 | V |
| | Pin voltage | -0.3 | 5 | 5.25 | V |
| | Pin voltage | -0.3 | 5 | 5.25 | V |
| | Pin voltage | -0.3 | 8 | 8.5 | V |
| | Pin voltage | BIAS to PGND | | 30 | V |
| | Pin voltage | VOOUT, ISNS+ to PGND | | 36 | V |
| | Pin voltage | PGND to AGND | | 0.3 | V |
| I _{OUT} | Output current range, LM706A0 | 0 | | 10 | A |
| I _{OUT} | Output current range, LM70660 | 0 | | 6 | A |
| R _S | Sense resistor, LM706A0 | 4 | | | mΩ |
| R _S | Sense resistor, LM70660 | 6 | | | mΩ |

5.3 Recommended Operating Conditions (continued)

Over operating junction temperature range (unless otherwise noted)

| | | MIN | NOM | MAX | UNIT |
|----------------|--------------------------------|-----|-----|-----|------|
| T _J | Operating junction temperature | -40 | | 150 | °C |

5.4 Thermal Information

| THERMAL METRIC ⁽¹⁾ | | LM706x0 | | UNIT |
|-------------------------------|--|---------------------|---------------------|------|
| | | JESD 51-7 | EVM | |
| | | 29 PINS | 29 PINS | |
| R _{θJA} | Junction-to-ambient thermal resistance | 33.5 ⁽²⁾ | 18.6 ⁽³⁾ | °C/W |
| R _{θJC(top)} | Junction-to-case (top) thermal resistance | 31.6 | (4) | °C/W |
| R _{θJB} | Junction-to-board thermal resistance | 11.7 | (4) | °C/W |
| ψ _{JT} | Junction-to-top characterization parameter (T _{case-center}) | 11.5 | 7.2 | °C/W |
| ψ _{JT} | Junction-to-top characterization parameter (T _{case-max}) | – | 0.8 | °C/W |
| ψ _{JB} | Junction-to-board characterization parameter | 11.6 | 6.3 | °C/W |

- (1) For more information about traditional and new thermal metrics, see the [Semiconductor and IC Package Thermal Metrics](#) application note.
- (2) The value of R_{θJA} given in this table is only valid for comparison with other packages and cannot be used for design purposes. These values were calculated in accordance with JESD 51-7, and simulated with a 4-layer JEDEC board. They do not represent the performance obtained in an actual application. For thermal design information please see the [Maximum Ambient Temperature](#) section.
- (3) Refer to the [EVM User's Guide](#) for board layout and additional information. For thermal design information please see the [Maximum Ambient Temperature](#) section.
- (4) Not applicable to an EVM.

5.5 Electrical Characteristics

T_J = -40°C to +150°C. Typical values are at T_J = 25°C and V_{IN} = 12V (unless otherwise noted)

| PARAMETER | | TEST CONDITIONS | MIN | TYP | MAX | UNIT |
|-----------------------------|--|---|------|------|------|------|
| SUPPLY (VIN) | | | | | | |
| I _{Q-SD} | V _{IN} shutdown current | Non-switching, V _{EN} = 0V, V _{FB} = V _{REF} + 50mV, T _J = 25°C | | 2.3 | 4 | μA |
| | | Non-switching, V _{EN} = 0V, V _{FB} = V _{REF} + 50mV, T _J = 125°C | | 2.3 | 8 | μA |
| I _{Q-SBY} | V _{IN} standby current ⁽¹⁾ | Non-switching, 0.5V ≤ V _{EN} ≤ 1V, External COMP, R _{CONFIG} = 29.4kΩ | | 350 | | μA |
| I _{Q-SLEEP1-24V} | V _{IN} sleep current, 3.3V fixed output, no load | V _{EN} = 5V, V _{IN} = 24V, V _{BIAS} = 0V, V _{VOOUT} = 3.3V, no-load, non-switching, V _{PFM/SYNCHIN} = 5V, R _{FB} = 0Ω to V _{DDA} | | 11.7 | | μA |
| I _{Q-SLEEP2-24V} | V _{IN} sleep current, 5V fixed output, no load | V _{EN} = 5V, V _{IN} = 24V, V _{BIAS} = 5V, V _{VOOUT} = 5V, no-load, non-switching, V _{PFM/SYNCHIN} = 5V, R _{FB} = 24.9kΩ to V _{DDA} | | 8.2 | 32 | μA |
| I _{Q-SLEEP3-24V} | V _{IN} sleep current, 12V fixed output, no load | V _{EN} = 5V, V _{IN} = 24V, V _{BIAS} = 12V, V _{VOOUT} = 12V, no-load, non-switching, V _{PFM/SYNCHIN} = 5V, R _{FB} = 49.9kΩ to V _{DDA} | | 24 | | μA |
| ENABLE (EN / UVLO) | | | | | | |
| V _{SBY-TH} | Shutdown-to-standby threshold voltage | V _{EN/UVLO} rising | | 0.55 | | V |
| V _{EN-TH} | Enable voltage rising threshold | V _{EN/UVLO} rising | 0.95 | 1.0 | 1.05 | V |
| V _{EN-HYS} | Enable voltage hysteresis | | | 0.1 | | V |
| INTERNAL LDO (VCC) | | | | | | |
| V _{VCC1} | VCC regulation voltage | I _{VCC} = 50mA, R _{FB} = 0Ω or 24.9kΩ | 4.5 | 5 | 5.5 | V |
| V _{VCC2} | VCC regulation voltage | I _{VCC} = 50mA | 7 | 8 | 8.5 | V |
| INTERNAL LDO (VDDA) | | | | | | |
| V _{VDDA} | VDDA regulation voltage | I _{VDD} = 5mA | 4.75 | 5 | 5.25 | V |
| I _{VDDA-CL} | VDDA short-circuit current limit | V _{DDA} = 4.5V | 10 | 15 | 20 | mA |
| EXTERNAL BIAS (BIAS) | | | | | | |
| V _{BIAS-TH1} | V _{IN} to V _{BIAS} switchover rising threshold, 12V fixed or adjustable output | R _{FB} = 49.9kΩ | 8.8 | 9.1 | 9.3 | V |

5.5 Electrical Characteristics (continued)

$T_J = -40^{\circ}\text{C}$ to $+150^{\circ}\text{C}$. Typical values are at $T_J = 25^{\circ}\text{C}$ and $V_{IN} = 12\text{V}$ (unless otherwise noted)

| PARAMETER | | TEST CONDITIONS | MIN | TYP | MAX | UNIT |
|--|---|---|-------|-------|-------|---------------|
| $V_{BIAS-TH2}$ | V_{IN} to V_{BIAS} switchover rising threshold, 3.3V or 5V fixed output | $R_{FB} = 0\Omega$ or $24.9\text{k}\Omega$ | 4.3 | 4.6 | 4.8 | V |
| $V_{BIAS-HYS}$ | V_{IN} to V_{BIAS} switchover hysteresis | | | 550 | | mV |
| REFERENCE VOLTAGE (FB) | | | | | | |
| V_{FB} | Regulated FB voltage | | 794 | 800 | 806 | mV |
| OUTPUT VOLTAGE (VOUT) | | | | | | |
| V_{OUT1} | 3.3V output voltage setpoint | $R_{FB} = 0\Omega$ | 3.267 | 3.3 | 3.333 | V |
| V_{OUT2} | 5V output voltage setpoint | $R_{FB} = 24.9\text{k}\Omega$ | 4.95 | 5.0 | 5.05 | V |
| V_{OUT3} | 12V output voltage setpoint | $R_{FB} = 49.9\text{k}\Omega$ | 11.88 | 12 | 12.12 | V |
| ERROR AMPLIFIER (EXTCOMP) | | | | | | |
| $g_{m-EXTERNAL}$ | EA transconductance external compensation | FB to COMP | 970 | 1200 | | μS |
| $g_{m-INTERNAL}$ | EA transconductance internal compensation (1) | FB to COMP, EXTCOMP $100\text{k}\Omega$ to V_{DDA} | | 30 | | μS |
| I_{FB} | Error amplifier input bias current | | | | 75 | nA |
| $V_{COMP-CLAMP}$ | COMP clamp voltage | $V_{FB} = 0\text{V}$ | | 2.1 | | V |
| $I_{COMP-SRC}$ | EA source current | $V_{COMP} = 1\text{V}$, $V_{FB} = 0.65\text{V}$ | | 170 | | μA |
| $I_{COMP-SINK}$ | EA sink current | $V_{COMP} = 1\text{V}$, $V_{FB} = 0.95\text{V}$ | | 170 | | μA |
| PULSE FREQUENCY MODULATION (PFM/SYNCIN) | | | | | | |
| $V_{IL-SYNCIN}$ | PFM/SYNCIN input threshold low | | 0.8 | | | V |
| $V_{IH(SYNCIN)}$ | PFM/SYNCIN input threshold high | | | | 1.17 | V |
| f_{SYNC1} | Synchronization frequency range (220kHz) | $R_{RT} = 100\text{k}\Omega$, $\pm 20\%$ of the nominal oscillator frequency | 176 | | 264 | kHz |
| f_{SYNC2} | Synchronization frequency range (2.2MHz) | $R_{RT} = 10\text{k}\Omega$, $\pm 20\%$ of the nominal oscillator frequency | 1.76 | | 2.64 | MHz |
| $t_{SYNC-TON-MIN}$ | Minimum positive pulse width of external synchronization signal | $R_{RT} = 10\text{k}\Omega$ | | | 20 | ns |
| $t_{SYNC-TOFF-MIN}$ | Minimum negative pulse width of external synchronization signal | $R_{RT} = 10\text{k}\Omega$ | | | 200 | ns |
| $t_{SYNCIN-SW}$ | Delay from PFM falling edge to SW rising edge (1) | | | 35 | | ns |
| $t_{PFM-FILTER}$ | SYNCIN to PFM mode | | 15 | | 75 | μs |
| DUAL RANDOM SPREAD SPECTRUM (DRSS) | | | | | | |
| Δf_C | Distance from the switching frequency | | | 8 | | % |
| f_m | Modulation frequency | | | 10 | | kHz |
| SWITCHING FREQUENCY (SW) | | | | | | |
| f_{SW1} | Switching frequency 1 | $R_{RT} = 100\text{k}\Omega$ to AGND | 200 | 220 | 240 | kHz |
| f_{SW2} | Switching frequency 2 | $R_{RT} = 49.9\text{k}\Omega$ to AGND | 400 | 440 | 480 | kHz |
| f_{SW3} | Switching frequency 3 | $R_{RT} = 22.1\text{k}\Omega$ to AGND | 0.85 | 0.95 | 1.05 | MHz |
| f_{SW4} | Switching frequency 4 | $R_{RT} = 9.09\text{k}\Omega$ to AGND | 2 | 2.2 | 2.4 | MHz |
| t_{ON-MIN} | Minimum on-time(1) | | | 25 | | ns |
| $t_{OFF-MIN}$ | Minimum off-time | | | 88 | 126 | ns |
| POWER GOOD (PG) | | | | | | |
| V_{PG-UV} | Power-Good UV trip level | Falling with respect to the regulated voltage | 90 % | 92 % | 94 % | |
| V_{PG-OV} | Power-Good OV trip level | Rising with respect to the regulation voltage | 108 % | 110 % | 112 % | |
| $V_{PG-UV-HYST}$ | Power-Good UV hysteresis | Falling with respect to the regulated output | | 3.4 % | | |
| $V_{PG-OV-HYST}$ | Power-Good OV hysteresis | Raising with respect to the regulated output | | 3.4 % | | |
| $t_{PG-DEGLITCH}$ | Power-Good deglitch filter time | V_{OUT} falling or rising | | 25 | | μs |
| V_{OL-PG} | Power-Good voltage | Open collector, $I_{PG} = 2\text{mA}$ | | | 0.4 | V |
| SYNCHRONIZATION OUTPUT (SYNCOUT) | | | | | | |

5.5 Electrical Characteristics (continued)

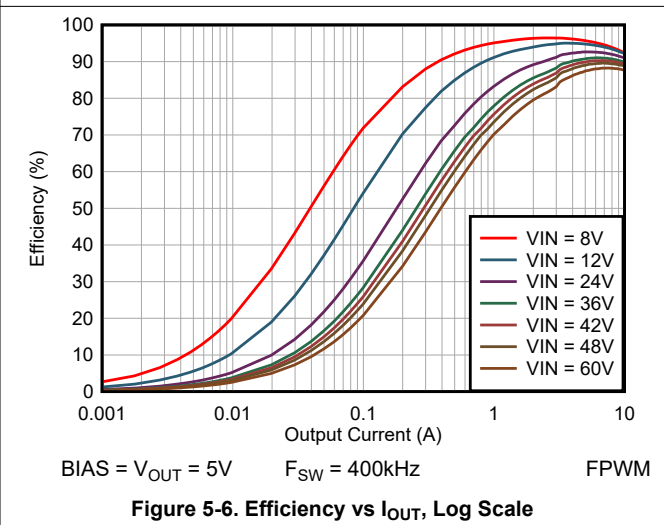
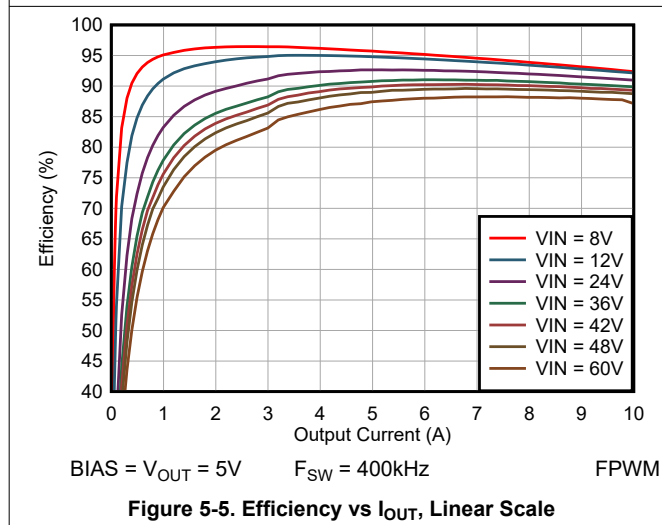
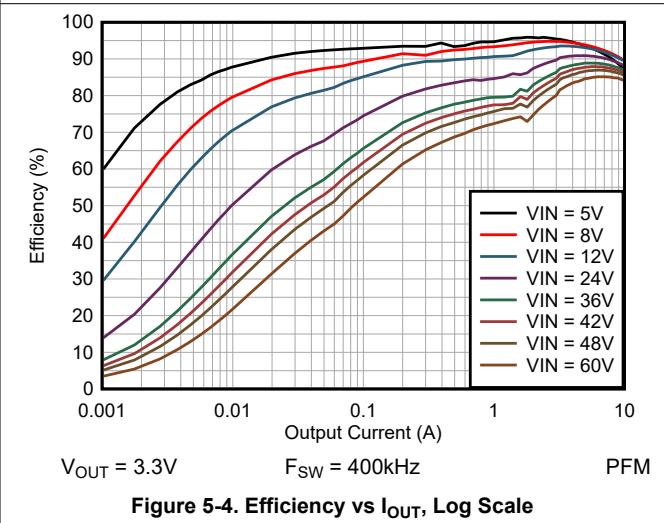
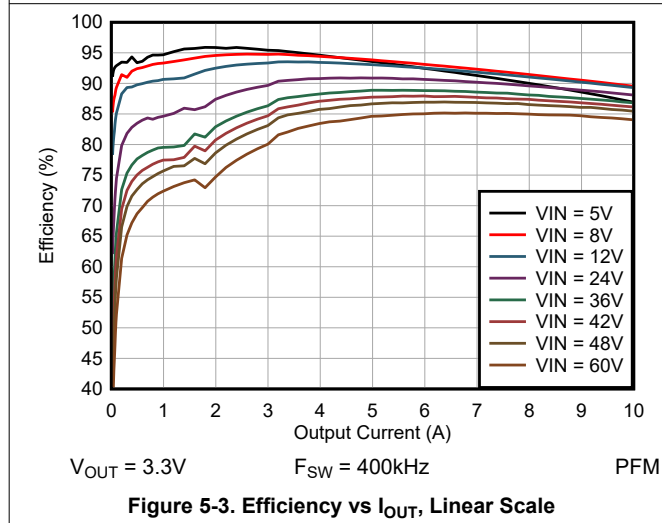
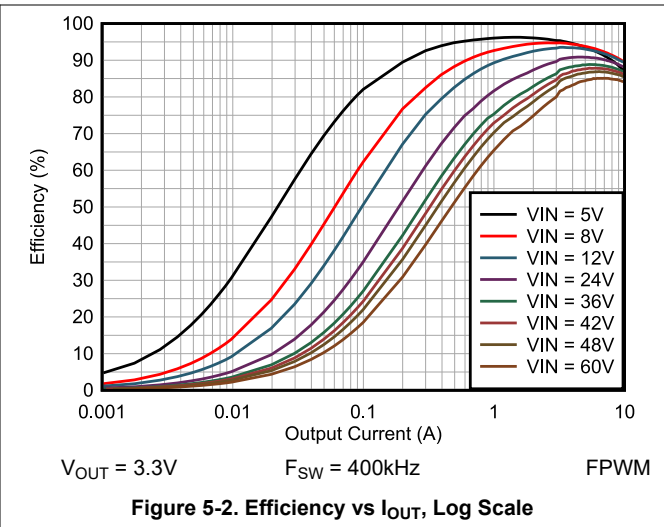
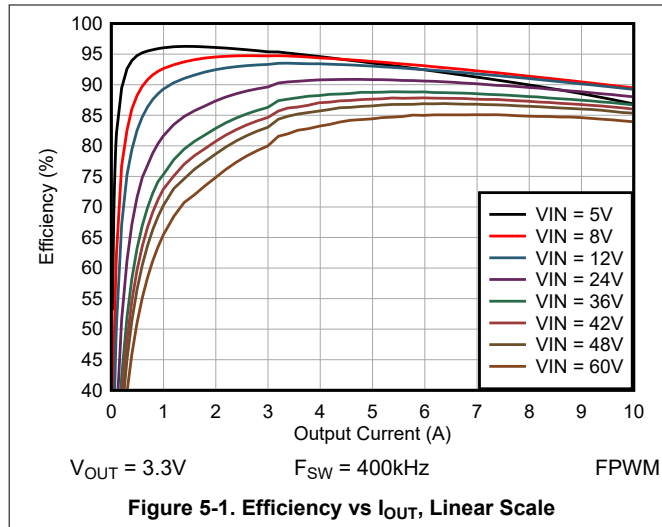
$T_J = -40^{\circ}\text{C}$ to $+150^{\circ}\text{C}$. Typical values are at $T_J = 25^{\circ}\text{C}$ and $V_{IN} = 12\text{V}$ (unless otherwise noted)

| PARAMETER | | TEST CONDITIONS | MIN | TYP | MAX | UNIT |
|-------------------------------------|--|---|-----|-------|-----|--------------------|
| $V_{\text{SYNCOUT-LTH}}$ | SYNCOUT low state voltage threshold | $R_{\text{CONFIG}} = 54.9\text{k}\Omega$ or $71.5\text{k}\Omega$, $I_{\text{SYNCOUT}} = 2\text{mA}$ | | | 0.4 | V |
| $V_{\text{SYNCOUT-HTH}}$ | SYNCOUT high state voltage threshold | $R_{\text{CONFIG}} = 54.9\text{k}\Omega$ or $71.5\text{k}\Omega$, $I_{\text{SYNCOUT}} = -2\text{mA}$ | 2.0 | | | V |
| STARTUP (SOFT START) | | | | | | |
| t_{SS} | Internal fixed soft-start time | | 1.9 | 2.8 | 4.4 | ms |
| INTERNAL HICCUP MODE | | | | | | |
| $t_{\text{HIC-DLY}}$ | HICCUP mode activation delay | $V_{\text{ISNS+}} - V_{\text{VOUT}} > 60\text{mV}$ | | 512 | | CYCLES |
| $t_{\text{HIC-DURATION}}$ | HICCUP mode fault duration | $V_{\text{ISNS+}} - V_{\text{VOUT}} > 60\text{mV}$ | | 16384 | | CYCLES |
| OVERCURRENT PROTECTION (OCP) | | | | | | |
| $V_{\text{CS-TH}}$ | CS voltage threshold | Measured from ISNS+ to VOUT | 50 | 56 | 62 | mV |
| $t_{\text{DELAY-CS}}$ | CS delay to output | | | 75 | | ns |
| G_{CS} | CS amplifier gain ⁽¹⁾ | | | 10 | | V/V |
| $I_{\text{BIAS-CS}}$ | CS amplifier input bias current ⁽¹⁾ | | | 0.35 | | μA |
| $V_{\text{CS-TH-NEG}}$ | CS negative voltage threshold | | | 30 | | mV |
| THERMAL SHUTDOWN (TSD) | | | | | | |
| $T_{\text{J-SD}}$ | Thermal shutdown threshold ⁽¹⁾ | Temperature rising | | 175 | | $^{\circ}\text{C}$ |
| $T_{\text{J-HYS}}$ | Thermal shutdown hysteresis ⁽¹⁾ | | | 15 | | $^{\circ}\text{C}$ |

(1) Specified by design. Not production tested.

5.6 Typical Characteristics

$V_{IN} = 12V$, $T_J = 25^\circ C$, unless otherwise stated.



5.6 Typical Characteristics (continued)

$V_{IN} = 12V$, $T_J = 25^\circ C$, unless otherwise stated.

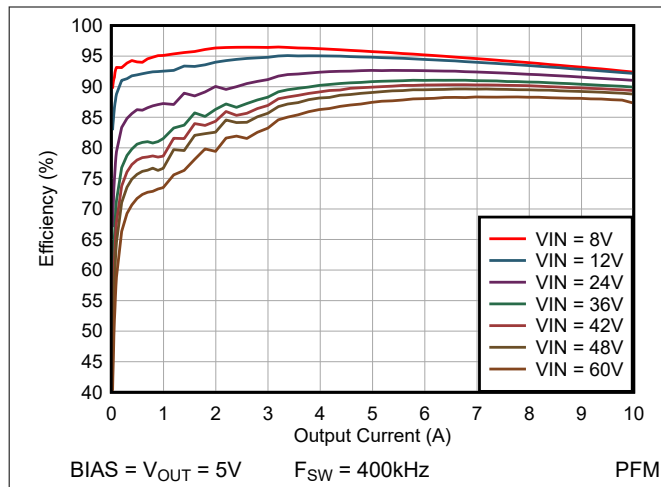


Figure 5-7. Efficiency vs I_{OUT} , Linear Scale

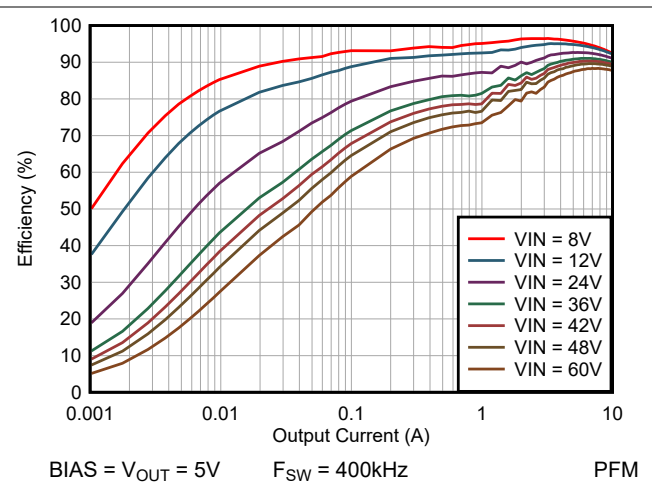


Figure 5-8. Efficiency vs I_{OUT} , Log Scale

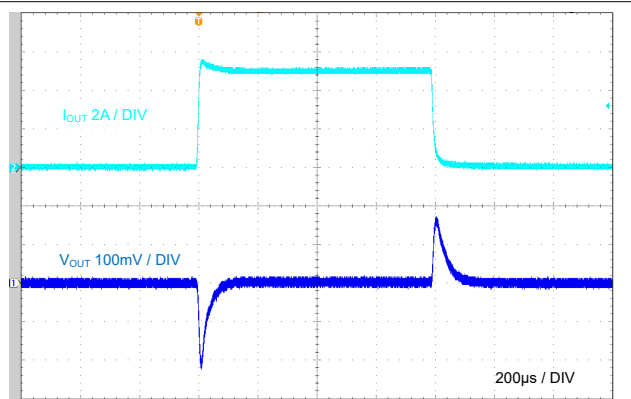


Figure 5-9. Load Transient, 0A to 5A

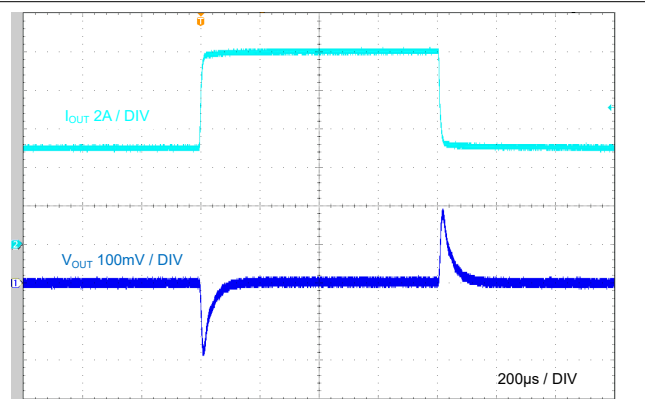


Figure 5-10. Load Transient, 5A to 10A

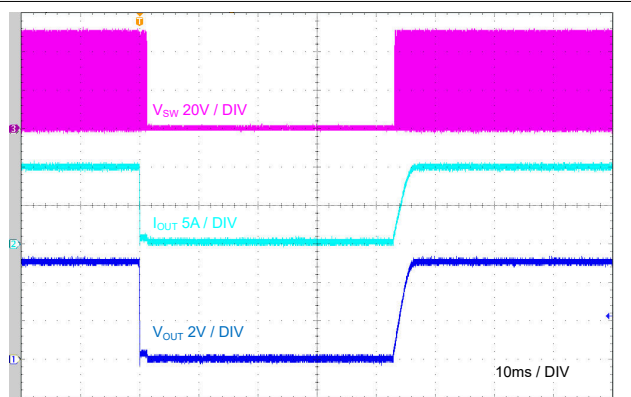


Figure 5-11. Short-Circuit Recovery

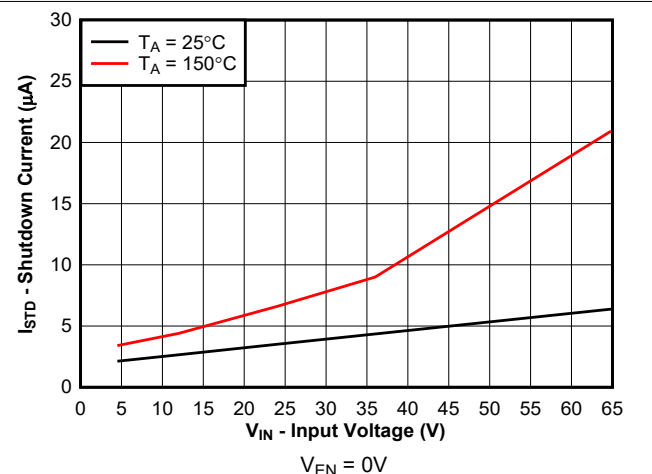
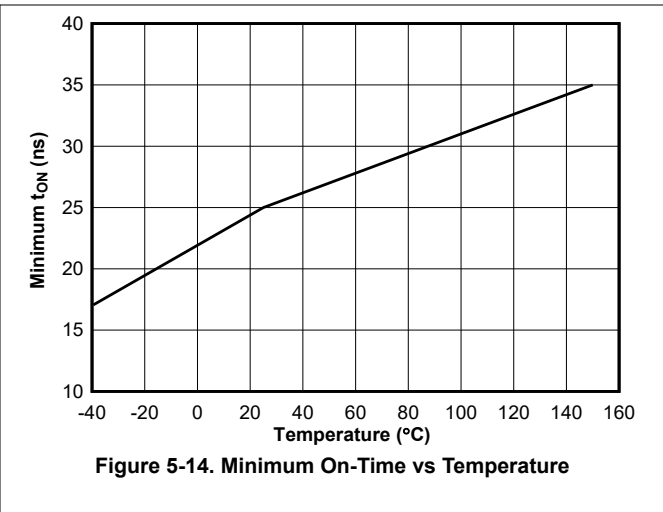
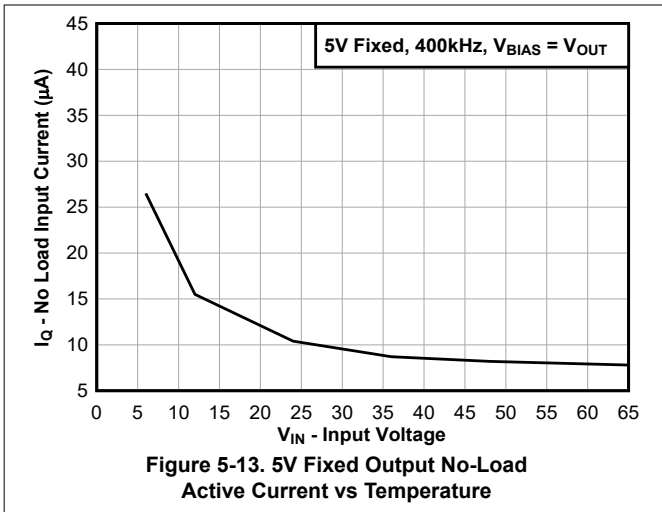


Figure 5-12. Shutdown Current vs Input Voltage

5.6 Typical Characteristics (continued)

$V_{IN} = 12V$, $T_J = 25^\circ C$, unless otherwise stated.



6 Detailed Description

6.1 Overview

The LM706x0 is a family of multi-die, DC/DC converters that features high-side and low-side power MOSFETs and a versatile buck controller with all functions necessary to implement a high-efficiency synchronous buck regulator operating over a wide input voltage range from 4.5V to 65V. The LM706x0 is configured to provide a fixed 3.3V, 5V, or a 12V output, or an adjustable output between 0.8V and 36V.

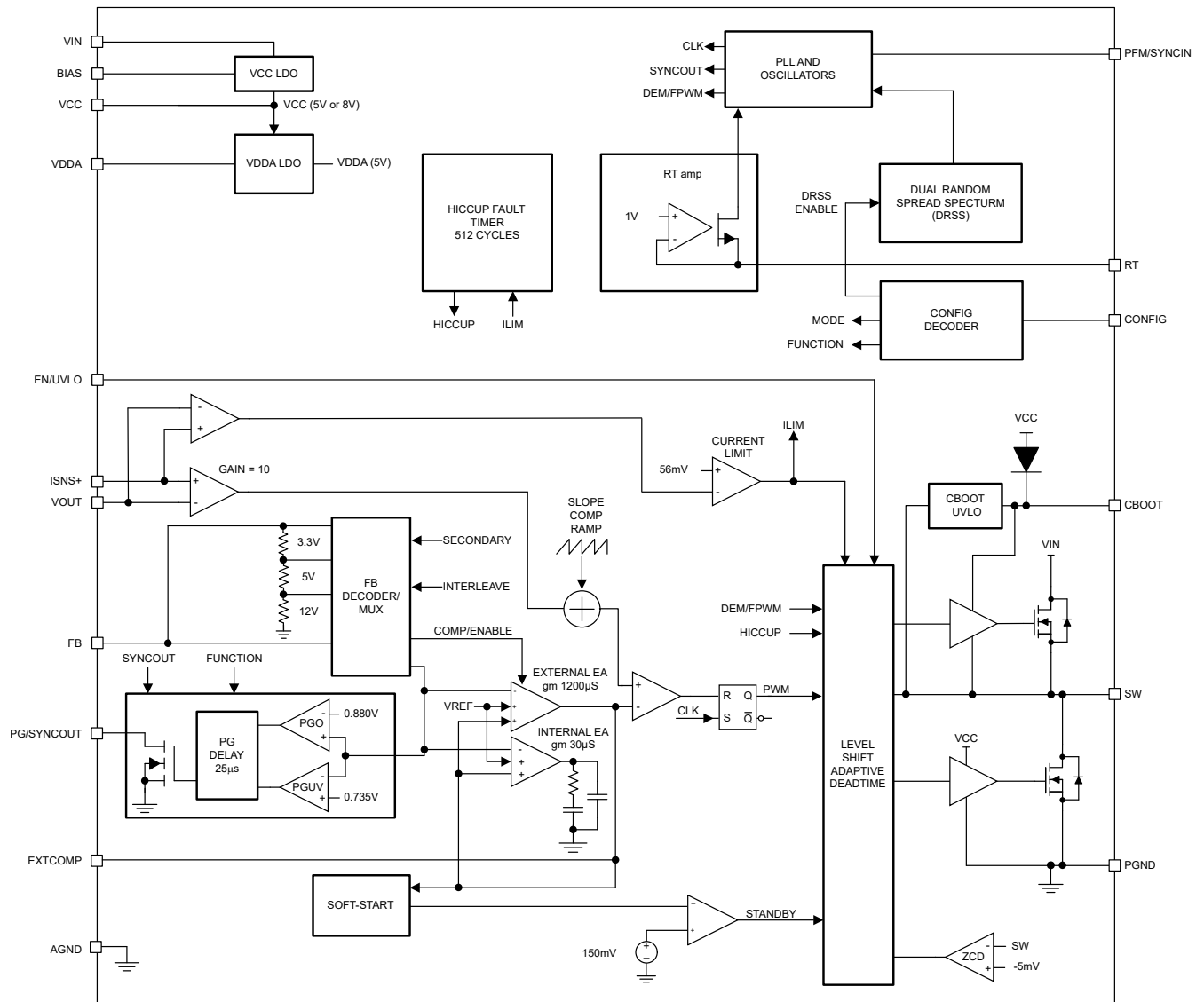
Current-mode control using a shunt resistor provides inherent line feedforward, cycle-by-cycle peak current limiting, and easy loop compensation. The device also supports a wide duty cycle range for high input voltage and low dropout applications as well as when a high-voltage conversion ratio (for example, 10-to-1) is required. The oscillator frequency is user-programmable between 200kHz to 2.2MHz. The LM706x0 can be synchronized to an external clock applied on the PFM / SYNC pin.

An external bias supply can be connected to the BIAS pin to maximize efficiency in high input voltage applications. A user-selectable diode emulation feature enables discontinuous conduction mode (DCM) operation to further improve efficiency and reduce power dissipation during light-load conditions. Fault protection features include current limiting, thermal shutdown, UVLO and remote shutdown capability.

The LM706x0 incorporates features to simplify the compliance with various EMI standards including CISPR 11 Class B that defines industrial EMI requirements. Dual Random Spread Spectrum (DRSS) technique reduces the peak harmonic EMI signature.

LM706x0 is provided in a 29-pin QFN package with the exposed VIN, SW, and PGND pads to maximize thermal dissipation.

6.2 Functional Block Diagram



6.3 Feature Description

6.3.1 Input Voltage Range (V_{IN})

The LM706x0 operational input voltage range is from 4.5V to 65V. The device is intended for step-down conversions from 12V, 24V and 48V supply rails. The LM706x0 uses internal LDOs to provide an 8V or 5V VCC bias rail and a 5V VDDA rail for the gate drive and control circuits.

In high input voltage applications, make sure that the VIN and SW pins do not exceed the absolute maximum voltage rating of 70V during line or load transient events. Voltage excursions that exceed the absolute maximum ratings of these pins can damage the IC. Follow PCB board layout recommendations and use high-quality input bypass capacitors to minimize voltage overshoot and ringing.

As V_{IN} approaches V_{OUT} , the LM706x0 skips t_{OFF} cycles to allow the controller to extend the duty cycle up to approximately 99%. Refer to [Figure 6-1](#).

When in dropout, the output voltage tracks the input voltage and the peak current mode control is open loop. As a result, larger output voltage perturbations due to line and load transients are possible. Additional output capacitance and more aggressive external compensation can improve the output response.

Use [Equation 1](#) to calculate when the LM706x0 enters dropout mode.

$$V_{IN} = V_{OUT} \times \left(\frac{t_p}{t_p - t_{OFF}} \right) \quad (1)$$

- t_p is the oscillator period
- t_{OFF} is the minimum off time, typical 88ns

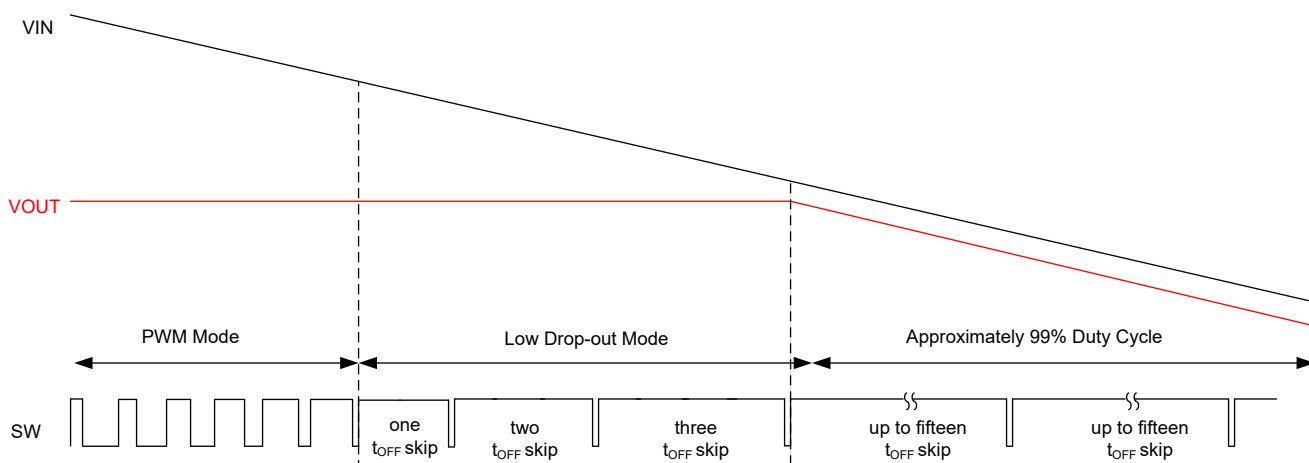


Figure 6-1. Dropout Mode Operation

6.3.2 High-Voltage Bias Supply Regulator (VCC, BIAS, VDDA)

The LM706x0 contains an internal high-voltage VCC bias regulator that provides the bias supply for the gate drivers for the power MOSFETs. The input voltage pin (VIN) can be connected directly to an input voltage source up to 65V. However, when the input voltage is below the VCC setpoint level, the VCC voltage tracks VIN minus a small voltage drop.

If configured for a 3.3V fixed output, the VCC bias regulator output voltage is 5V to allow connecting the BIAS pin to an external supply from 5V to 30V. Similarly, if configured for a 5V fixed output, the VCC bias regulator output voltage is 5V to allow connecting the BIAS pin to the VOUT node or an external supply from 5V to 30V. For a 12V fixed output or an adjustable output, the VCC bias regulator output voltage is 8V to allow connecting the BIAS pin to the VOUT node or an external supply from 10V to 30V.

At power up, the VCC regulator sources current into the capacitor connected to the VCC pin (if EN pin is connected to a voltage greater than 2V). When the VCC voltage exceeds 4.3V, the output is enabled and the

soft-start sequence begins. The output remains active unless the VCC voltage falls below the VCC falling UVLO threshold of 4V (typical) or the EN is driven below 900mV (typical). TI recommends that a 4.7µF capacitor is connected from the VCC pin to PGND and placed as close as possible to the device pins.

Internal power dissipation of the VCC regulator can be minimized by connecting the BIAS pin to VOUT or an external supply. If the BIAS voltage is above 9.1V (typical), the input to the VCC regulator switches over from VIN to BIAS. If configured for a 3.3V fixed or a 5V fixed output, the switchover happens at 4.6V (typical). Tie the BIAS pin to AGND if unused. Never connect the BIAS pin to a voltage greater than 32V. If an external supply is connected to the BIAS pin to power the LM706x0, VIN must be greater than the external bias voltage under all conditions to avoid damage to the device.

An internal 5V linear regulator generates the VDDA bias supply from the VCC bias supply. Bypass VDDA with a 100nF ceramic capacitor to achieve a low-noise internal bias rail. Normally VDDA is 5V, however when configured for a fixed 3.3V or a fixed 5V VOUT, the VDDA regulator is disabled in sleep mode while the circuitry, normally powered by the VDDA, is switched over to VOUT as the power source.

6.3.3 Enable (EN)

The EN/UVLO pin can be connected to a voltage as high as 65V. The LM706x0 has a precision enable. When the EN pin is greater than 1V, the output is enabled. If the EN pin is pulled below 0.55V (typical), the LM706x0 is in shutdown with an IQ of 2.3µA (typical) current draw from VIN. When the enable voltage is between 0.55V (typical) and 1V (typical), the LM706x0 is in standby mode. When in standby mode, the VCC regulator is enabled, the device is not switching, and the IQ current is 350µA (typical). Users can also enable the LM706x0 with standard CMOS logic drivers. A voltage greater than 2.0V enables the LM706x0, and a voltage less than 0.4V disables the LM706x0. However, many applications benefit from using a resistor divider RUV1 and RUV2 as shown in Figure 6-2 to establish a precision UVLO threshold. TI recommends setting the input voltage turn-on threshold at 4.5V or higher when the rise time of the input supply to the LM706x0 is significantly slower than the internal soft-start time. TI does not recommend leaving the EN pin floating.

Use Equation 2 to calculate the UVLO resistors given the required input turn-on voltage. The EN voltage hysteresis, VEN-HYS, is 100mV or 10% of the EN voltage rising threshold, VEN-TH, therefore the input turn-off voltage is 90% of the input turn-on voltage.

$$R_{UV1} = \left(\frac{V_{IN(on)}}{V_{EN-TH}} - 1 \right) \times R_{UV2} \quad (2)$$

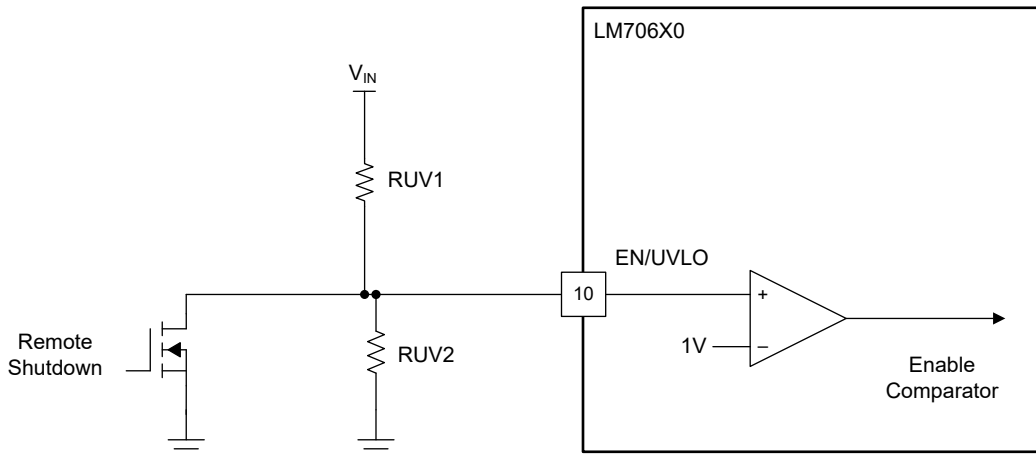


Figure 6-2. Programmable Input Voltage UVLO Turn-on and Turn-off

6.3.4 Power-Good Monitor (PG)

The LM706x0 includes an output voltage monitoring signal for VOUT to simplify sequencing and supervision. The power-good function can be used to enable circuits that are supplied by the corresponding voltage rail or to turn on sequenced supplies. The power-good output (PG) switches to a high impedance open-drain state when the

output voltage is in regulation. The PG output switches low when the corresponding output voltage drops below the lower power-good threshold (92% typical) or rises above the upper power-good threshold (110% typical). If the upper PG threshold is exceeded when operating in standalone configuration mode, the high-side switch is turned off immediately and the low-side switch is turned on to prevent overvoltage and discharge the output. A 25µs deglitch filter prevents false tripping of the power-good signal during transients. TI recommends a pull-up resistor of 100kΩ (typical) from PG to the relevant logic rail. PG is asserted low during soft-start and when the buck regulator is disabled via the EN input.

When the LM706x0 is configured as a primary device, the PG pin is converted to a synchronization clock output for the secondary device. The synchronization signal has logic levels and is 180° out of phase (lagging) with the internal high-side gate driver output of the primary device.

6.3.5 Switching Frequency (RT)

The LM706x0 oscillator is programmed by a resistor between RT and AGND to set an oscillator frequency between 200kHz and 2.2MHz. Calculate the RT resistance for a given switching frequency using Equation 3.

$$R_{RT}[\text{k}\Omega] = \frac{10^6}{F_{SW}[\text{kHz}]^{45}} - 53 \quad (3)$$

Under low V_{IN} conditions when the high-side MOSFET on-time exceeds the programmed oscillator period, the LM706x0 extends the switching period of that channel until the PWM latch is reset by the current sense ramp exceeding the controller compensation voltage. In such an event, the oscillators operate independently and asynchronously until the channel can maintain output regulation at the programmed frequency.

The approximate input voltage level where this occurs is given by Equation 4, where t_{SW} is the switching period and $t_{OFF(\min)}$ is the minimum off-time of 88ns.

$$V_{IN(\min)} = V_{OUT} \times \left(\frac{t_{SW}}{t_{SW} - t_{OFF(\min)}} \right) \quad (4)$$

6.3.6 Dual Random Spread Spectrum (DRSS)

The LM706x0 provides a Dual Random Spread Spectrum (DRSS) function which reduces the EMI of the power supply over a wide frequency range. The DRSS function combines a low-frequency triangular modulation profile with a high frequency cycle-by-cycle random modulation profile. The low frequency triangular modulation improves performance in the lower radio frequency bands, while the high frequency random modulation improves performance in the higher radio frequency bands.

Spread spectrum works by converting a narrowband signal into a wideband signal which spreads the energy over multiple frequencies. Industry standards require different spectrum analyzer resolution bandwidth (RBW) settings for different frequency bands. The RBW has an impact on the spread spectrum performance. For example, the CISPR-25 requires 9kHz RBW for the 150kHz to 30MHz frequency band. For frequencies greater than 30MHz, the required RBW is 120kHz. DRSS is able to simultaneously improve the EMI performance in the high and low RBWs with the low-frequency triangular modulation and high-frequency cycle-by-cycle random modulation as shown in Figure 6-3. In the low-frequency band (150kHz -30MHz), the DRSS function can reduce the conducted emissions by as much as 15dBµV, and in the high-frequency band (30MHz - 108MHz) by as much as 5dBµV.

The DRSS function can be enabled by connecting either a 41.2kΩ or 71.5kΩ resistor from the CONFIG pin to AGND. The DRSS function is disabled when an external clock is applied to the PFM / SYNCIN pin.

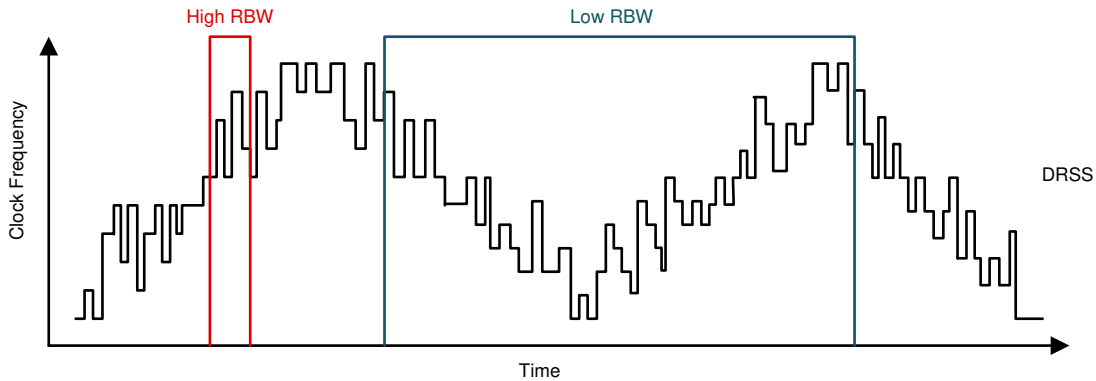


Figure 6-3. Dual Random Spread Spectrum Implementation

6.3.7 Soft Start

The LM706x0 has an internal 2.8ms soft-start timer (typical). The soft-start feature allows the regulator to gradually reach the steady-state operating point, thus reducing start-up stresses and surges.

6.3.8 Output Voltage Setpoint (FB)

The LM706x0 outputs can be independently configured for one of the three fixed output voltages with no external feedback resistors, or adjusted to the desired voltage using an external resistor divider network. The output can be configured as a 3.3V output by connecting the FB pin to VDDA, a 5V output by connecting FB through a 24.9kΩ resistor to VDDA, or 12V by connecting the FB pin through a 49.9kΩ resistor to VDDA. With the output voltage selection, the VCC bias regulator output level is selected as well as shown in [Table 6-1](#). The configuration settings are latched and cannot be changed until the input voltage to the LM706x0 is recycled.

Table 6-1. Output Voltage and VCC Voltage Selection

| FB Pin | Output Voltage | VCC Voltage |
|--------------------------|----------------|-------------|
| Short to VDDA | 3.3V | 5V |
| 24.9kΩ to VDDA | 5.0V | 5V |
| 49.9kΩ to VDDA | 12V | 8V |
| Resistor divider to VOUT | 0.8V to 55V | 8V |

Alternatively, the output voltage can be set using external resistive dividers from the output to the FB pin. The output voltage adjustment range is between 0.8V and 36V. The voltage reference setpoint is 0.8V (V_{REF}). Use [Equation 5](#) to calculate the upper and lower feedback resistors, designated R_{FB1} and R_{FB2} respectively.

$$R_{FB1} = \left(\frac{V_{OUT}}{V_{REF}} - 1 \right) \times R_{FB2} \quad (5)$$

The recommended starting value for R_{FB2} is between 10kΩ and 20kΩ.

If a low I_Q mode is required, be careful when selecting the external resistors. The extra current drawn from the external divider is added to the LM706x0 $I_{Q-SLEEP}$ current. The divider current reflected to V_{IN} is divided down by the ratio of V_{OUT}/V_{IN} .

6.3.9 Minimum Controllable On-Time

There are two limitations to the minimum output voltage adjustment range: the LM706x0 voltage reference of 0.8V and the minimum controllable switch-node pulse width, $t_{ON(min)}$.

$t_{ON(min)}$ effectively limits the voltage step-down conversion ratio V_{OUT}/V_{IN} at a given switching frequency. For fixed-frequency PWM operation, the voltage conversion ratio must satisfy [Equation 6](#).

$$\frac{V_{OUT}}{V_{IN}} > t_{ON(min)} \times F_{SW} \quad (6)$$

where

- $t_{ON(min)}$ is 25ns (typical).
- F_{SW} is the switching frequency.

If the desired voltage conversion ratio does not meet the above condition, the LM706x0 transitions from a fixed switching frequency operation mode to a pulse-skipping mode to maintain output voltage regulation.

For wide V_{IN} applications and low output voltages, an alternative is to reduce the LM706x0 switching frequency to meet the requirement of [Equation 6](#).

6.3.10 Error Amplifier and PWM Comparator (FB, EXTCOMP)

The LM706x0 has a high-gain transconductance amplifier that generates an error current proportional to the difference between the feedback voltage and an internal precision reference (0.8V). The control loop compensation can be configured in two ways. The first is using the internal compensation amplifier, which has a gain of 30 μ S. To use the internal compensation network connect the EXTCOMP through a 100k Ω resistor to the VDDA pin. If a 100k Ω resistor is not detected, the LM706x0 defaults to the external loop compensation network. The external loop compensation network is latched and cannot be re-configured easily. When using the external compensation network, the gain of the transconductance amplifier is 1200 μ S. Typically if higher performance is required to meet a stringent transient response requirement, TI advises to use external compensation configuration. To re-configure the compensation (internal or external) power must be recycled and VCC must be allowed to drop below the $V_{CC(UVLO)}$ threshold.

TI generally recommends a type-II compensation network for peak current-mode control. If no external compensation impedance is detected on power up, the fixed internal compensation network is used.

6.3.11 Slope Compensation

The LM706x0 provides internal slope compensation for stable operation with peak current-mode control and a duty cycle greater than 50%. Calculate the buck inductance to provide a slope compensation contribution equal to one times the inductor downslope using [Equation 7](#).

$$L_{O(sc)} = \frac{V_{OUT}[V] \times R_S[m\Omega]}{24 \times F_{SW}[MHz]} \quad (7)$$

- A lower inductance value increases the peak-to-peak inductor current, which typically minimizes size and cost, and improves transient response at the cost of reduced light-load efficiency due to higher cores losses and peak currents.
- A higher inductance value decreases the peak-to-peak inductor current, which typically increases the full-load efficiency by reducing switch peak and RMS currents at the cost of requiring larger output capacitors to meet load-transient specifications.

6.3.12 Shunt Current Sensing

[Figure 6-4](#) illustrates inductor current sensing using a shunt resistor. This configuration continuously monitors the inductor current to provide accurate overcurrent protection across the operating temperature range. For excellent current sense accuracy and overcurrent protection, use a low inductance $\pm 1\%$ tolerance shunt resistor between the inductor and the output, with a Kelvin connection to the LM706x0 current sense amplifier.

If the peak differential current signal sensed from ISNS+ to VOUT exceeds the current limit threshold of 56mV, the current limit comparator immediately terminates the high-side gate driver output for cycle-by-cycle current limiting. Calculate the shunt resistance using [Equation 8](#).

$$R_S = \frac{V_{CS(TH)}}{I_{OUT(CL)} + \frac{\Delta I_L}{2}} \quad (8)$$

where

- $V_{CS(TH)}$ is current sense threshold of 56mV.

- $I_{OUT(CL)}$ is the overcurrent setpoint that is set higher than the maximum load current to avoid tripping the overcurrent comparator during load transients.
- ΔI_L is the peak-to-peak inductor ripple current.

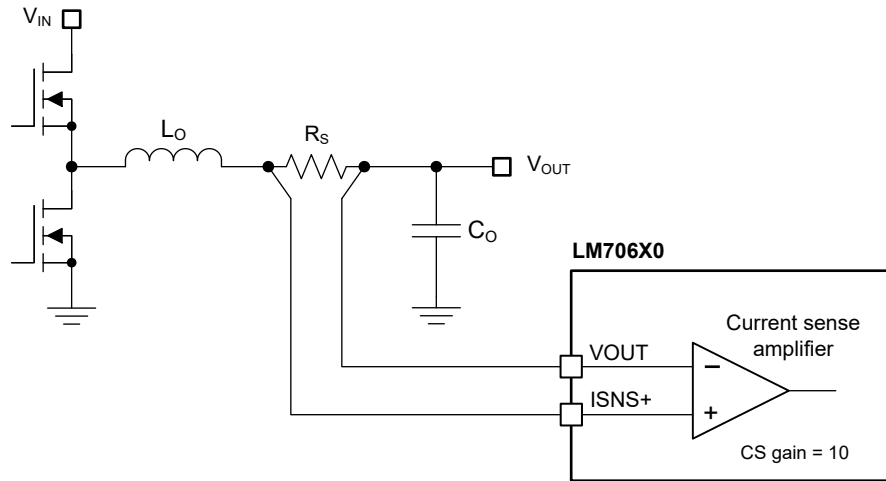


Figure 6-4. Shunt Current Sensing Implementation

The typical current sense delay ($t_{DELAY(CS)}$) is 75ns. Calculate the resultant inductor current overshoot above the overcurrent threshold using [Equation 9](#).

$$I_{L(overshoot)} = \frac{(V_{IN} - V_{OUT}) \times t_{DELAY(CS)}}{L_O} \quad (9)$$

The respective SS voltage is clamped 150mV above FB during an overcurrent condition. 16 overcurrent events must occur before the SS clamp is enabled. This requirement make sure that SS can be pulled low during brief overcurrent events, preventing output voltage overshoot during recovery.

6.3.13 Hiccup Mode Current Limiting

The LM706x0 includes an internal hiccup mode protection function. When an overload condition occurs, a 512-cycle counter starts counting consecutive cycle-by-cycle current limit incidents after the internal soft-start sequence is completed. The 512-cycle counter is reset if four consecutive switching cycles occur without exceeding the current limit threshold. If $V_{FB} > 400mV$ after 512-cycle counts are completed, the counter is restarted. When $V_{FB} < 400mV$ and 512-cycle counts are completed, the internal soft-start output is pulled low and the internal high-side and low-side drivers are disabled. Then, a 16384 counter is enabled. After the counter reaches 16384, the internal soft-start circuit is enabled, and the output re-starts. Note: the Hiccup mode current limit is not enabled during the soft-start time and until the feedback voltage exceeds 0.4V.

6.3.14 Device Configuration (CONFIG)

The LM706x0 can be configured for operation in Standalone Mode (single device) or for operation in single output interleaved mode (two devices) for paralleling the outputs of two devices for high-current applications. When operating in interleaved mode, one of the two devices has to be configured as a primary device while the other device has to be configured as a secondary device. There is also the option to enable or disable the DRSS function as detailed in [Table 6-2](#).

During device startup, the CONFIG pin is sampled and latched. The configuration cannot be changed "on the fly". The LM706x0 input voltage must be recycled or EN pin toggled before the device can be reconfigured. [Figure 6-5](#) shows the configuration timing diagram.

When the DRSS function is enabled, the LM706x0 cannot be synchronized to an external clock.

Table 6-2. Configuration Modes

| R _{CONFIG} | Mode | Function | DRSS |
|---------------------|-------------|-----------|----------|
| 29.4kΩ | Standalone | N/A | Disabled |
| 41.2kΩ | Standalone | N/A | Enabled |
| 54.9kΩ | Interleaved | Primary | Disabled |
| 71.5kΩ | Interleaved | Primary | Enabled |
| 90.9kΩ | Interleaved | Secondary | N/A |

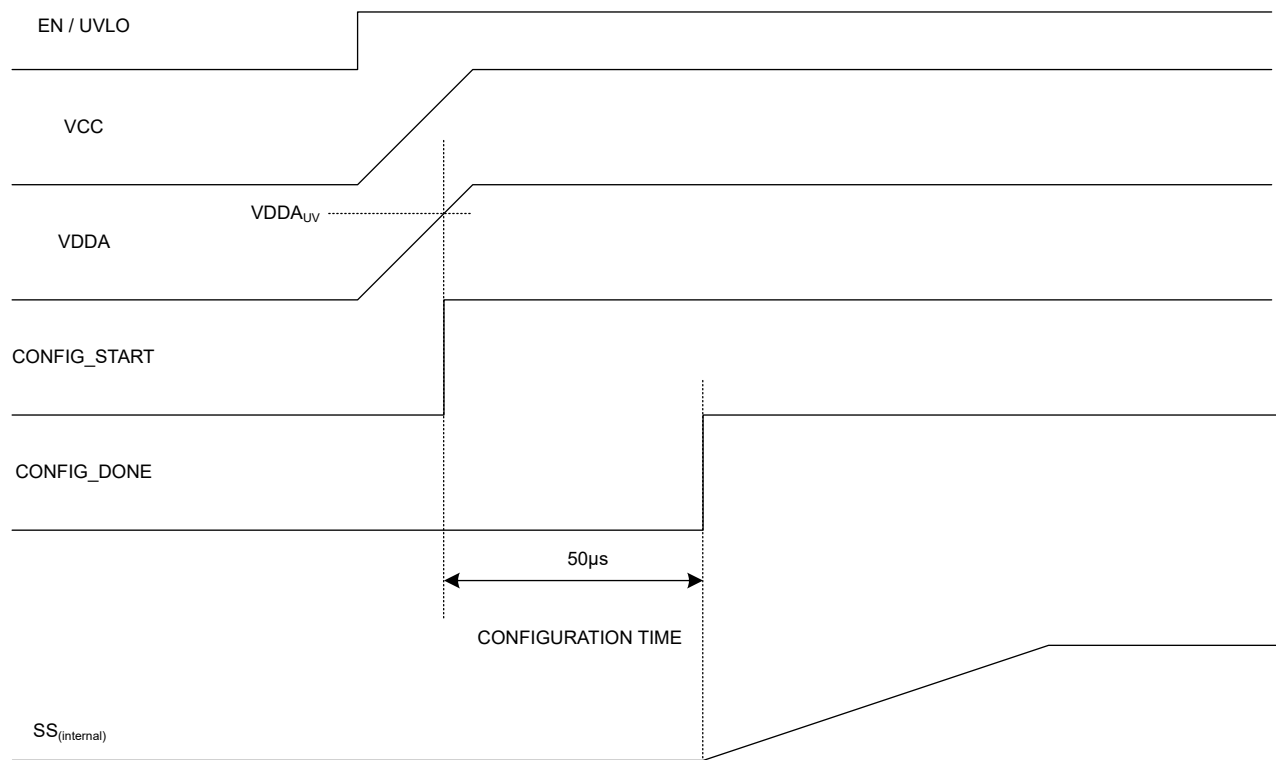


Figure 6-5. Configuration Timing

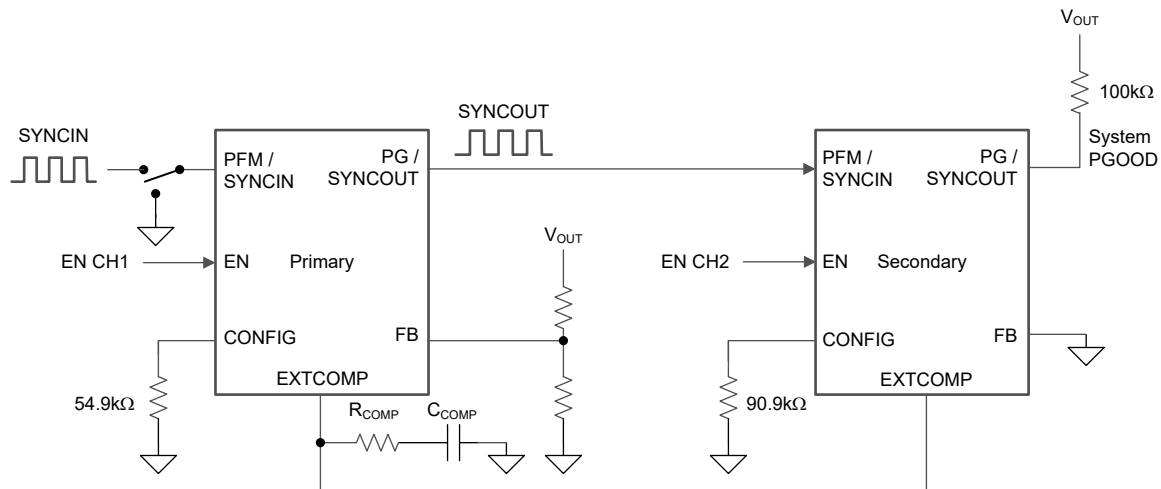


Figure 6-7. Simplified Schematic for Single-Output Dual-Phase Operation in FPWM Mode

Note

While in interleaved mode, if an external SYNCIN signal is applied after the start-up, there is a 2 clock cycle delay before the LM706x0 locks onto the external sync signal.

In PFM mode, while the primary device is pulse skipping to reduce the $I_{Q-SLEEP}$ current, the primary device disables the synchronization clock output, therefore the phase shedding is not supported. Phase shedding is only supported in FPWM.

When operating in PFM mode under light load conditions, either primary device or secondary device or both devices can switch.

In FPWM mode, the secondary device can be disabled to reduce the $I_{Q-SLEEP}$ current, and then the device can be enabled to support higher load currents when needed. When the secondary device enable is recycled the internal soft-start is pulled low, and then the LM706x0 goes through a normal soft-start turn-on. During the secondary soft-start time (2.8ms typical) there is a phase current imbalance until the soft-start is done. The phase current imbalance is also possible when in dropout as there is no control over the current. Matching the impedance of the outputs of the primary and secondary devices minimizes the phase current imbalance.

For more information, see [Benefits of a Multiphase Buck Converter](#) and [Multiphase Buck Design From Start to Finish](#).

6.3.16 Pulse Frequency Modulation (PFM) / Synchronization

The LM706x0 provides a diode emulation feature that can be enabled to prevent reverse (drain-to-source) current flow in the low-side MOSFET. When configured for diode emulation (DEM), the low-side MOSFET is switched off when reverse current flow is detected by sensing of the SW voltage using a zero-cross comparator. The benefit of this configuration is lower power loss during light load operation. Note: configuring the device for DEM has an effect of slower response to load transients during light load operation.

The diode emulation feature is configured with the PFM / SYNCIN pin. To enable diode emulation and thus achieve discontinuous conduction mode (DCM) operation at light loads, connect PFM / SYNCIN to VDDA. Note that diode emulation is automatically engaged to prevent reverse current flow during a prebias start-up in PFM. During start up, when the output voltage approaches the regulation set point a gradual change from DCM to CCM occurs, preventing the output voltage overshoot.

If forced pulse-width modulation (FPWM) or continuous conduction mode (CCM) operation is desired, tie PFM / SYNCIN to AGND. Note that the LM706x0 transitions from PFM to FPWM mode whenever LM706x0 is reset. The time to transition to FPWM operation is dependent on the output load current. In a typical application, the transition from PFM to FPWM operation occurs in less than 1ms if the output current is greater than 100mA. Similarly, for the output currents of around 1mA, the transition generally occurs in tens of milliseconds.

To synchronize the LM706x0 to an external source, apply a logic-level clock (greater than 1.17V) to the PFM / SYNCIN pin. The LM706x0 can be synchronized to $\pm 20\%$ of the programmed frequency up to a maximum of 2.2MHz. If there is an RT resistor and a synchronization signal, the LM706x0 ignores the RT resistor and synchronizes to the external clock. Under low V_{IN} conditions when the minimum off-time is reached, the synchronization signal is ignored, allowing the switching frequency to be reduced to maintain output voltage regulation.

When in FPWM mode, the time for the LM706x0 to be synchronized to an external clock frequency is approximately 100 μ s. If an external clock is applied after startup while operating in PFM mode, the time to synchronize the switching frequency is dependent on the load. In a typical application, switch synchronization and FPWM operation occurs in less than 1ms if the output current exceeds 100mA. Similarly, for the output currents of around 1mA, the synchronization generally occurs in tens of milliseconds.

6.3.17 Thermal Shutdown (TSD)

The LM706x0 includes an internal junction temperature monitor that operates while the device is in active mode. If the temperature exceeds 175°C (typical), thermal shutdown occurs. When entering thermal shutdown, the device:

1. Turns off the high-side and low-side MOSFETs.
2. Pulls SS and PG pins low.
3. Turns off the VCC regulator.
4. Initiates a soft-start sequence when the die temperature decreases by the thermal shutdown hysteresis of 15°C (typical).

This protection is a non-latching protection, therefore, the device cycles into and out of thermal shutdown if the fault persists.

6.4 Device Functional Modes

6.4.1 Shutdown Mode

The EN / UVLO pin provides ON / OFF control for the LM706x0. When V_{EN} is below 0.55V (typical), the device is in shutdown mode. Both the internal LDO and the switching regulator are off. The quiescent current in shutdown mode drops to 2.3 μ A (typical). The LM706x0 also includes undervoltage (UV) protection of the internal bias LDO. If the internal bias supply voltage is below the UV threshold level, the switching regulator remains off.

6.4.2 Standby Mode

The internal bias LDO has a lower enable threshold than the switching regulator. When V_{EN} is above 0.55V (typical) and below the precision enable threshold of 1V (typical), the internal LDO is on and regulating. The precision enable circuitry is turned on if the LDO output is above the bias rail UV threshold. The switching and output voltage regulation are disabled in standby mode.

6.4.3 Active Mode

The LM706x0 is in active mode when V_{EN} is above the precision enable threshold and the internal bias rail is above the UV threshold level. In active mode, the device operates in one of two modes depending on the load current, input voltage, output voltage, and PFM / SYNCIN pin configuration:

1. Forced pulse width modulation (FPWM) mode. This mode of operation is configured by tying the PFM / SYNCIN pin to GND or driving with an external clock source. The device operates in continuous conduction mode (CCM) with fixed switching frequency regardless of the load current.
2. Pulse frequency modulation (PFM) mode. This mode of operation is configured by tying the PFM / SYNCIN pin to VDDA. The device operates in discontinuous conduction mode (DCM) if the load current is less than half of the peak-to-peak inductor current, otherwise the device operates in continuous conduction mode (CCM). The transition between CCM and DCM is automatic.

6.4.4 Sleep Mode

The LM706x0 operates with peak current-mode control such that the compensation voltage is proportional to the peak inductor current. During no-load or light-load conditions, the output capacitor discharges very slowly. As a result, the compensation voltage goes low and the switching is stopped. When the LM706x0 controller detects 16 missed switching cycles, the LM706x0 controller enters sleep mode and switches to a low $I_{Q-SLEEP}$ state to reduce the current drawn from the input. For the LM706x0 to go into sleep mode, the device must be programmed for PFM mode.

7 Application and Implementation

Note

Information in the following applications sections is not part of the TI component specification, and TI does not warrant its accuracy or completeness. TI's customers are responsible for determining suitability of components for their purposes, as well as validating and testing their design implementation to confirm system functionality.

7.1 Application Information

7.1.1 Power Train Components

A comprehensive understanding of the buck regulator power train components is critical to successfully completing a synchronous buck regulator design. The following section discuss the output inductor, input and output capacitors, and EMI input filter.

7.1.1.1 Buck Inductor

For most applications, choose a buck inductance such that the inductor ripple current, ΔI_L , is between 30% to 50% of the maximum DC output current at nominal input voltage. Choose the inductance using [Equation 10](#) based on a peak inductor current given by [Equation 11](#).

$$L_0 = \frac{V_{OUT}}{\Delta I_L \times F_{SW}} \times \left(1 - \frac{V_{OUT}}{V_{IN}}\right) \quad (10)$$

$$I_{L(PK)} = I_{OUT} + \frac{\Delta I_L}{2} \quad (11)$$

Check the inductor data sheet to make sure that the saturation current of the inductor is well above the peak inductor current of a particular design. Ferrite designs have very low core loss and are preferred at high switching frequencies, so design goals can then concentrate on copper loss and preventing saturation. Low inductor core loss is evidenced by reduced no-load input current and higher light-load efficiency. However, ferrite core materials exhibit a hard saturation characteristic and the inductance collapses abruptly when the saturation current is exceeded. This results in an abrupt increase in inductor ripple current, higher output voltage ripple, not to mention reduced efficiency and compromised reliability. Note that the saturation current of an inductor generally decreases as the core temperature increases. Of course, accurate overcurrent protection is key to avoiding inductor saturation.

7.1.1.2 Output Capacitors

Ordinarily, the output capacitor energy store of the regulator combined with the control loop response are prescribed to maintain the integrity of the output voltage within the dynamic (transient) tolerance specifications. The usual boundaries restricting the output capacitor in power management applications are driven by finite available PCB area, component footprint and profile, and cost. The capacitor parasitics—equivalent series resistance (ESR) and equivalent series inductance (ESL)—take greater precedence in shaping the load transient response of the regulator as the load step amplitude and slew rate increase.

The output capacitor, C_{OUT} , filters the inductor ripple current and provides a reservoir of charge for step-load transient events. Typically, ceramic capacitors provide extremely low ESR to reduce the output voltage ripple and noise spikes, while tantalum and electrolytic capacitors provide a large bulk capacitance in a relatively compact footprint for transient loading events.

Based on the static specification of peak-to-peak output voltage ripple denoted by ΔV_{OUT} , choose an output capacitance that is larger than that given by [Equation 12](#).

$$C_{OUT} \geq \frac{\Delta I_L}{8 \times F_{SW} \sqrt{\Delta V_{OUT}^2 + (R_{ESR} \times \Delta I_L)^2}} \quad (12)$$

Figure 7-1 conceptually illustrates the relevant current waveforms during both load step-up and step-down transitions. As shown, the large-signal slew rate of the inductor current is limited as the inductor current ramps to match the new load-current level following a load transient. This slew-rate limiting exacerbates the deficit of charge in the output capacitor, which must be replenished as rapidly as possible during and after the load step-up transient. Similarly, during and after a load step-down transient, the slew rate limiting of the inductor current adds to the surplus of charge in the output capacitor that must be depleted as quickly as possible.

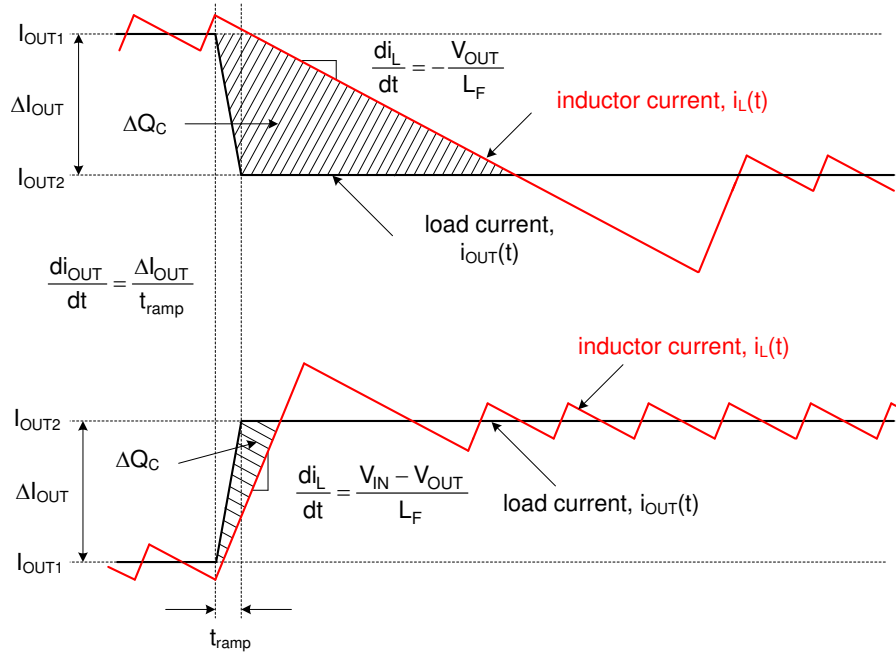


Figure 7-1. Load Transient Response Representation Showing C_{OUT} Charge Surplus or Deficit

In a typical regulator application of 12V input to low output voltage (for example, 3.3V), the load-off transient represents the worst case in terms of output voltage transient deviation. In that conversion ratio application, the steady-state duty cycle is approximately 28% and the large-signal inductor current slew rate when the duty cycle collapses to zero is approximately $-V_{OUT}/L$. Compared to a load-on transient, the inductor current takes much longer to transition to the required level. The surplus of charge in the output capacitor causes the output voltage to significantly overshoot. In fact, to deplete this excess charge from the output capacitor as quickly as possible, the inductor current must ramp below the nominal level following the load step. In this scenario, a large output capacitance can be advantageously employed to absorb the excess charge and minimize the voltage overshoot.

To meet the dynamic specification of output voltage overshoot during such a load-off transient (denoted as $\Delta V_{OVERSHOOT}$ with step reduction in output current given by ΔI_{OUT}), the output capacitance must be larger than:

$$C_{OUT} \geq \frac{L_O \times \Delta I_{OUT}^2}{(V_{OUT} + \Delta V_{OVERSHOOT})^2 - V_{OUT}^2} \quad (13)$$

The ESR of a capacitor is provided in the manufacturer data sheet either explicitly as a specification or implicitly in the impedance vs frequency curve. Depending on type, size and construction, electrolytic capacitors have significant ESR, 5m Ω and above, and relatively large ESL, 5nH to 20 nH. PCB traces contribute some parasitic resistance and inductance as well. Ceramic output capacitors have low ESR and ESL contributions at the switching frequency, and the capacitive impedance component dominates. However, depending on package and voltage rating of the ceramic capacitor, the effective capacitance can drop quite significantly with applied DC voltage and operating temperature.

Ignoring the ESR term in Equation 12 gives a quick estimation of the minimum ceramic capacitance necessary to meet the output ripple specification. Two to four 47 μ F, 10V, X7R capacitors in 1206 or 1210 footprint is a

common choice for a 5V output. Use [Equation 13](#) to determine if additional capacitance is necessary to meet the load-off transient overshoot specification.

A composite implementation of ceramic and electrolytic capacitors highlights the rationale for paralleling capacitors of dissimilar chemistries yet complementary performance. The frequency response of each capacitor is accretive in that each capacitor provides desirable performance over a certain portion of the frequency range. While the ceramic provides excellent mid- and high-frequency decoupling characteristics with the low ESR and ESL to minimize the switching frequency output ripple, the electrolytic device with the large bulk capacitance provides low-frequency energy storage to cope with load transient demands.

7.1.1.3 Input Capacitors

Input capacitors are necessary to limit the input ripple voltage to the buck power stage due to switching-frequency AC currents. TI recommends using X7S or X7R dielectric ceramic capacitors to provide low impedance and high RMS current rating over a wide temperature range. To minimize the parasitic inductance in the switching loop, position the input capacitors as close as possible to the drain of the high-side MOSFET and the source of the low-side MOSFET. The input capacitor RMS current for a single-channel buck regulator is given by [Equation 14](#).

$$I_{CIN(rms)} = \sqrt{D \times \left(I_{OUT}^2 \times (1 - D) + \frac{\Delta I_L^2}{12} \right)} \quad (14)$$

The highest input capacitor RMS current occurs at $D = 0.5$, at which point the RMS current rating of the input capacitors must be greater than half the output current.

Ideally, the DC component of input current is provided by the input voltage source and the AC component by the input filter capacitors. Neglecting inductor ripple current, the input capacitors source current of amplitude $(I_{OUT} - I_{IN})$ during the D interval and sinks I_{IN} during the $1 - D$ interval. Thus, the input capacitors conduct a square-wave current of peak-to-peak amplitude equal to the output current. It follows that the resultant capacitive component of AC ripple voltage is a triangular waveform. Together with the ESR-related ripple component, the peak-to-peak ripple voltage amplitude is given by [Equation 15](#).

$$\Delta V_{IN} = \frac{I_{OUT} \times D \times (1 - D)}{F_{SW} \times C_{IN}} + I_{OUT} \times R_{ESR} \quad (15)$$

The input capacitance required for a particular load current, based on an input voltage ripple specification of ΔV_{IN} , is given by [Equation 16](#).

$$C_{IN} \geq \frac{D \times (1 - D) \times I_{OUT}}{F_{SW} \times (\Delta V_{IN} - R_{ESR} \times I_{OUT})} \quad (16)$$

Low-ESR ceramic capacitors can be placed in parallel with higher valued bulk capacitance to provide optimized input filtering for the regulator and damping to mitigate the effects of input parasitic inductance resonating with high-Q ceramics. One bulk capacitor of sufficiently high current rating and two 4.7 μ F X7R ceramic decoupling capacitors are usually sufficient for most applications. Select the input bulk capacitor based on the ripple current rating and operating temperature range.

Of course, a two-channel buck regulator with 180° out-of-phase interleaved switching provides input ripple current cancellation and reduced input capacitor current stress. The above equations represent valid calculations when one output is disabled and the other output is fully loaded.

7.1.1.4 EMI Filter

Switching regulators exhibit negative input impedance, which is lowest at the minimum input voltage. An underdamped LC filter exhibits a high output impedance at the resonant frequency of the filter. For stability, the filter output impedance must be less than the absolute value of the converter input impedance.

$$Z_{IN} = \left| -\frac{V_{IN(\min)}^2}{P_{IN}} \right| \quad (17)$$

The EMI filter design steps are as follows:

- Calculate the required attenuation of the EMI filter at the switching frequency, where C_{IN} represents the existing capacitance at the input of the switching converter.
- Input filter inductor L_{IN} is usually selected between $1\mu\text{H}$ and $10\mu\text{H}$, but can be lower to reduce losses in a high-current design.
- Calculate input filter capacitor C_F .

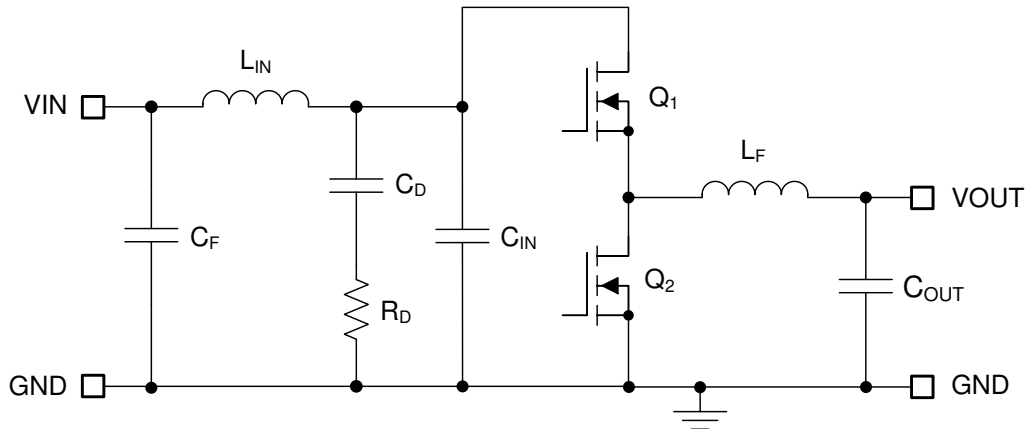


Figure 7-2. Buck Regulator With π -Stage EMI Filter

By calculating the first harmonic current from the fourier series of the input current waveform and multiplying the result by the input impedance (the impedance is defined by the existing input capacitor C_{IN}), a formula is derived to obtain the required attenuation as shown by [Equation 18](#).

$$\text{Attn} = 20\log\left(\frac{I_{L(\text{PEAK})}}{\pi^2 \times F_{\text{SW}} \times C_{IN}} \times \sin(\pi \times D_{\text{MAX}}) \times \frac{1}{1\mu\text{V}}\right) - V_{\text{MAX}} \quad (18)$$

where

- V_{MAX} is the allowed $\text{dB}\mu\text{V}$ noise level for the applicable conducted EMI specification, for example CISPR 25 Class 5.
- C_{IN} is the existing input capacitance of the buck regulator.
- D_{MAX} is the maximum duty cycle.
- I_{PEAK} is the peak inductor current.

For filter design purposes, the current at the input can be modeled as a square-wave. Determine the EMI filter capacitance C_F from [Equation 19](#).

$$C_F = \frac{1}{L_{IN}} \left(\frac{|\text{Attn}|}{\frac{10}{2\pi} \times F_{\text{SW}}} \right)^2 \quad (19)$$

Adding an input filter to a switching regulator modifies the control-to-output transfer function. The output impedance of the filter must be sufficiently small such that the input filter does not significantly affect the loop gain of the buck converter. The impedance peaks at the filter resonant frequency. The resonant frequency of the filter is given by [Equation 20](#).

$$f_{\text{res}} = \frac{1}{2\pi \times \sqrt{L_{IN} \times C_F}} \quad (20)$$

The purpose of R_D is to reduce the peak output impedance of the filter at the resonant frequency. Capacitor C_D blocks the DC component of the input voltage to avoid excessive power dissipation in R_D . Capacitor C_D must have lower impedance than R_D at the resonant frequency with a capacitance value greater than that of the input capacitor C_{IN} . This prevents C_{IN} from interfering with the cutoff frequency of the main filter. Added damping is needed when the output impedance of the filter is high at the resonant frequency (Q of filter formed by L_{IN} and C_{IN} is too high). An electrolytic capacitor C_D can be used for damping with a value given by Equation 21.

$$C_D \geq 4 \times C_{IN} \quad (21)$$

Select the damping resistor R_D using Equation 22.

$$R_D = \sqrt{\frac{L_{IN}}{C_{IN}}} \quad (22)$$

7.1.2 Error Amplifier and Compensation

A Type-II compensator using a transconductance error amplifier (EA) is shown in Figure 7-3. The dominant pole of the EA open-loop gain is set by the EA output resistance, R_{OEA} , and effective bandwidth-limiting capacitance, C_{BW} as shown by Equation 23.

$$G_{EA(openloop)}(s) = -\frac{g_m \cdot R_{O-EA}}{1 + s \cdot R_{O-EA} \cdot C_{BW}} \quad (23)$$

$$G_{EA(openloop)}(s) = -\frac{g_m \times R_{OEA}}{1 + s \times R_{OEA} \times C_{BW}} \quad (24)$$

The EA high-frequency pole is neglected in the above expression. The compensator transfer function from output voltage to COMP node, including the gain contribution from the (internal or external) feedback resistor network, is calculated in Equation 25.

$$G_c(s) = \frac{\hat{v}_c(s)}{\hat{v}_{out}(s)} = -\frac{V_{REF}}{V_{OUT}} \times \frac{g_m \times R_{OEA} \times \left(1 + \frac{s}{\omega_{z1}}\right)}{\left(1 + \frac{s}{\omega_{p1}}\right) \times \left(1 + \frac{s}{\omega_{p2}}\right)} \quad (25)$$

where

- V_{REF} is the feedback voltage reference of 0.8V
- g_m is the EA gain transconductance of 1200 μ S
- R_{O-EA} is the error amplifier output impedance of 64M Ω

$$\omega_{z1} = \frac{1}{R_{COMP} \times C_{COMP}} \quad (26)$$

$$\omega_{p1} = \frac{1}{R_{OEA} \times (C_{COMP} + C_{HF} + C_{BW})} \cong \frac{1}{R_{OEA} \times C_{COMP}} \quad (27)$$

$$\omega_{p2} = \frac{1}{R_{COMP} \times (C_{COMP} \parallel (C_{HF} + C_{BW}))} \cong \frac{1}{R_{COMP} \times C_{HF}} \quad (28)$$

The EA compensation components create a pole close to the origin, a zero, and a high-frequency pole. Typically, $R_{COMP} \ll R_{O-EA}$ and $C_{COMP} \gg C_{BW}$ and C_{HF} , so the approximations are valid. Figure 7-3 circles the poles in red and the zero in blue.

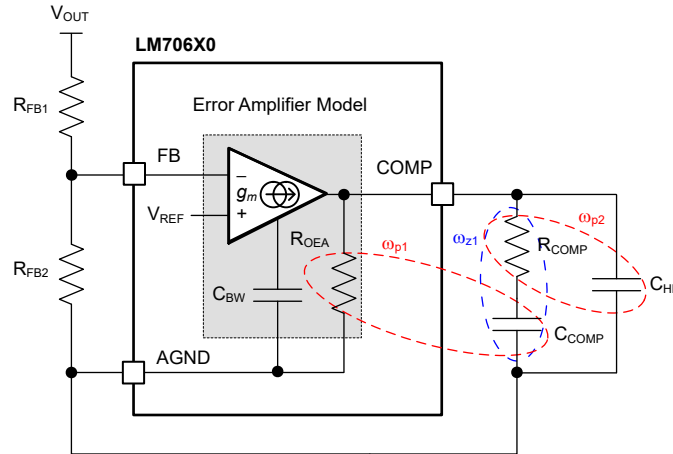


Figure 7-3. Error Amplifier and Compensation Network

7.1.3 Maximum Ambient Temperature

As with any power conversion device, the LM706x0 dissipates internal power while operating. The effect of this power dissipation is to raise the internal temperature of the converter above ambient temperature. The internal die temperature (T_J) is a function of the following:

- Ambient temperature
- Power loss
- Effective thermal resistance, $R_{\theta JA}$, of the device
- PCB layout

The maximum internal die temperature for the LM706x0 must be limited to 150°C. This limit establishes a limit on the maximum device power dissipation and, therefore, the load current. Equation 29 shows the relationships between the important parameters. Larger ambient temperatures (T_A) and larger values of $R_{\theta JA}$ reduce the maximum available output current. The converter efficiency can be estimated by using the LM706x0 - LM70660 or LM706A0 Quickstart Calculator tool. Alternatively, the EVM can be adjusted to match the desired application requirements and the efficiency can be measured directly.

$$I_{OUT|MAX} = \frac{(T_J - T_A)}{R_{\theta JA}} \times \frac{\eta}{(1 - \eta)} \times \frac{1}{V_{OUT}} \quad (29)$$

where

- η = efficiency
- T_A = ambient temperature
- T_J = junction temperature
- $R_{\theta JA}$ = the effective thermal resistance of the IC junction to the air, mainly through the PCB

The correct value of $R_{\theta JA}$ is more difficult to estimate. As stated in the [Semiconductor and IC Package Thermal Metrics application report](#), the JESD 51-7 value of $R_{\theta JA}$ given in [Thermal Information](#) is not valid for design purposes and must not be used to estimate the thermal performance of the device in a real application. The JESD 51-7 values reported in [Thermal Information](#) were measured under a specific set of conditions that are rarely obtained in an actual application.

The effective $R_{\theta JA}$ is a critical parameter and depends on many factors. The following are the most critical parameters:

- Power dissipation
- Air temperature
- Airflow
- PCB area
- Copper heat-sink area

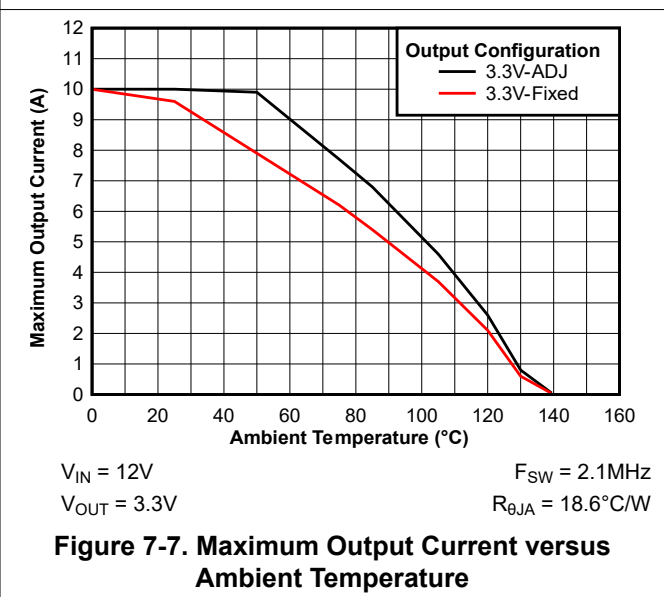
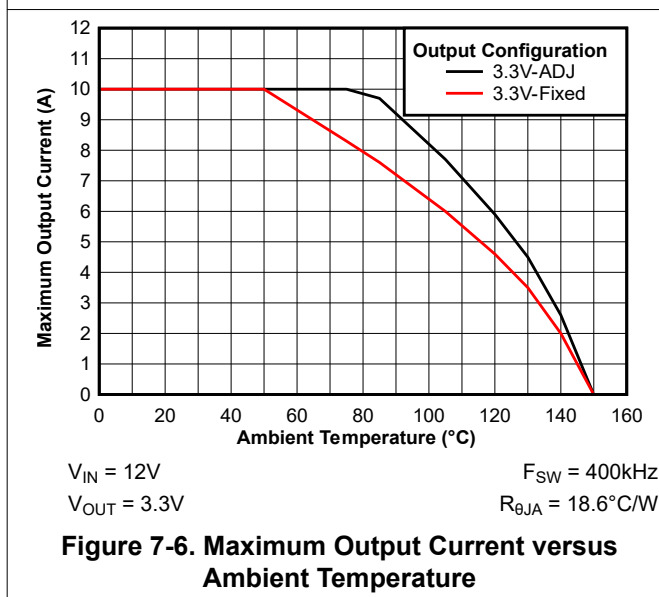
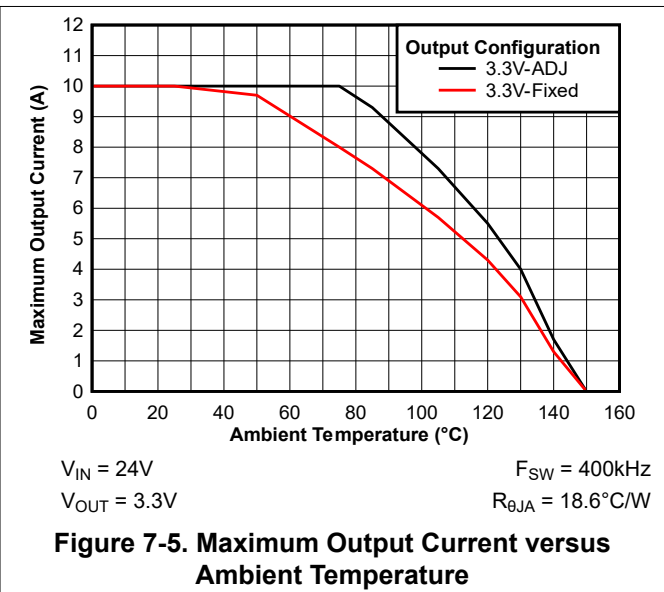
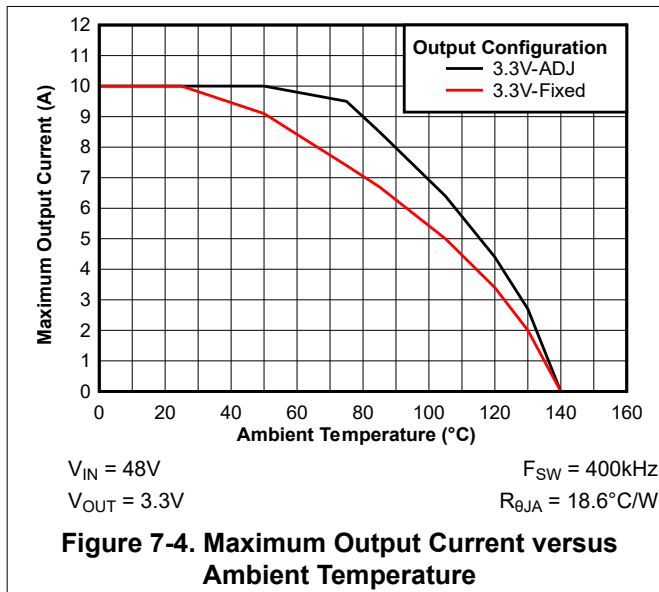
- Number of thermal vias under or near the package
- Adjacent component placement

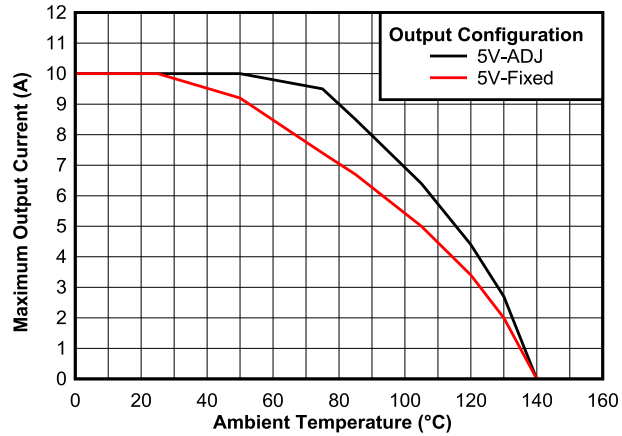
Typical curves of maximum output current versus ambient temperature are shown in *Derating Curves* for a good thermal layout.

Use [Thermal Design Resources](#) as a guide for thermal PCB design and estimating $R_{\theta JA}$ for a given application environment.

7.1.3.1 Derating Curves

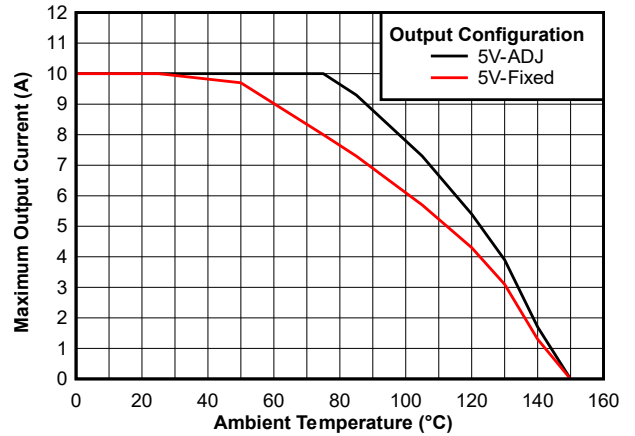
The data in this section was taken on the LM706A0QEVM evaluation board with a device and PCB combination, giving an $R_{\theta JA}$ of about $19^{\circ}\text{C}/\text{W}$. Note that the data given in these graphs are for illustration purposes only and the actual performance in any given application depends on all of the previously mentioned factors.





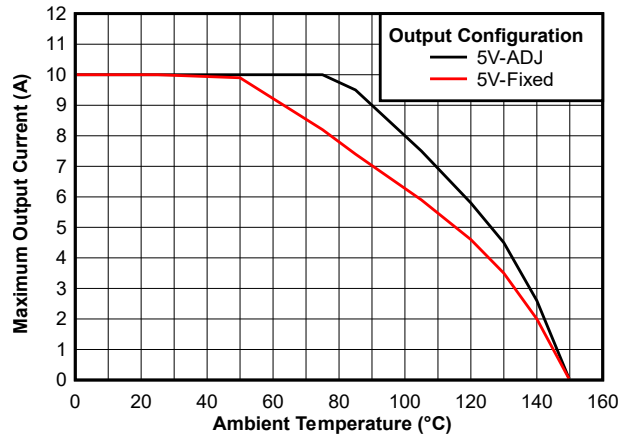
$V_{IN} = 48V$ $F_{SW} = 400kHz$
 $V_{OUT} = 5V$ $R_{\theta JA} = 18.6^{\circ}C/W$

Figure 7-8. Maximum Output Current versus Ambient Temperature



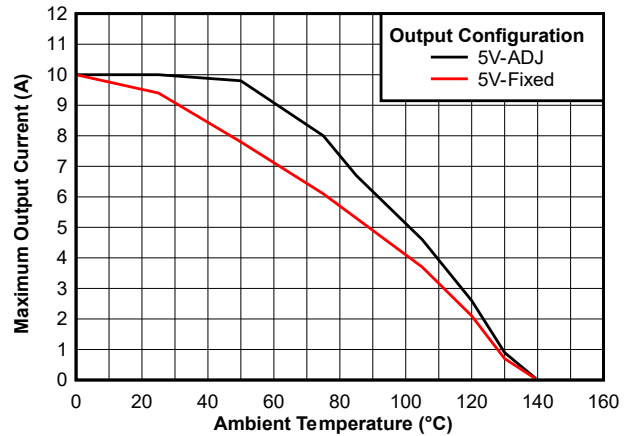
$V_{IN} = 24V$ $F_{SW} = 400kHz$
 $V_{OUT} = 5V$ $R_{\theta JA} = 18.6^{\circ}C/W$

Figure 7-9. Maximum Output Current versus Ambient Temperature



$V_{IN} = 12V$ $F_{SW} = 400kHz$
 $V_{OUT} = 5V$ $R_{\theta JA} = 18.6^{\circ}C/W$

Figure 7-10. Maximum Output Current versus Ambient Temperature



$V_{IN} = 12V$ $F_{SW} = 2.1MHz$
 $V_{OUT} = 5V$ $R_{\theta JA} = 18.6^{\circ}C/W$

Figure 7-11. Maximum Output Current versus Ambient Temperature

7.2 Typical Applications

For step-by-step design procedure, circuit schematics, bill of materials, PCB files, simulation and test results of an LM706x0-powered implementation, see [TI Designs](#) reference design library.

7.2.1 Design 1 – High Efficiency, Wide Input, 400kHz Synchronous Buck Regulator

Figure 7-12 shows the schematic diagram of a single-output synchronous buck regulator with the output voltage of 5V and a rated load current of 8A. In this example, the target half-load and full-load efficiencies are 89.9% and 90.5%, respectively, based on a nominal input voltage of 48V that ranges from 8V to 60V. The switching frequency is set at 400kHz by resistor R_{RT} . An output voltage of 3.3V is also feasible simply by connecting FB to VDDA.

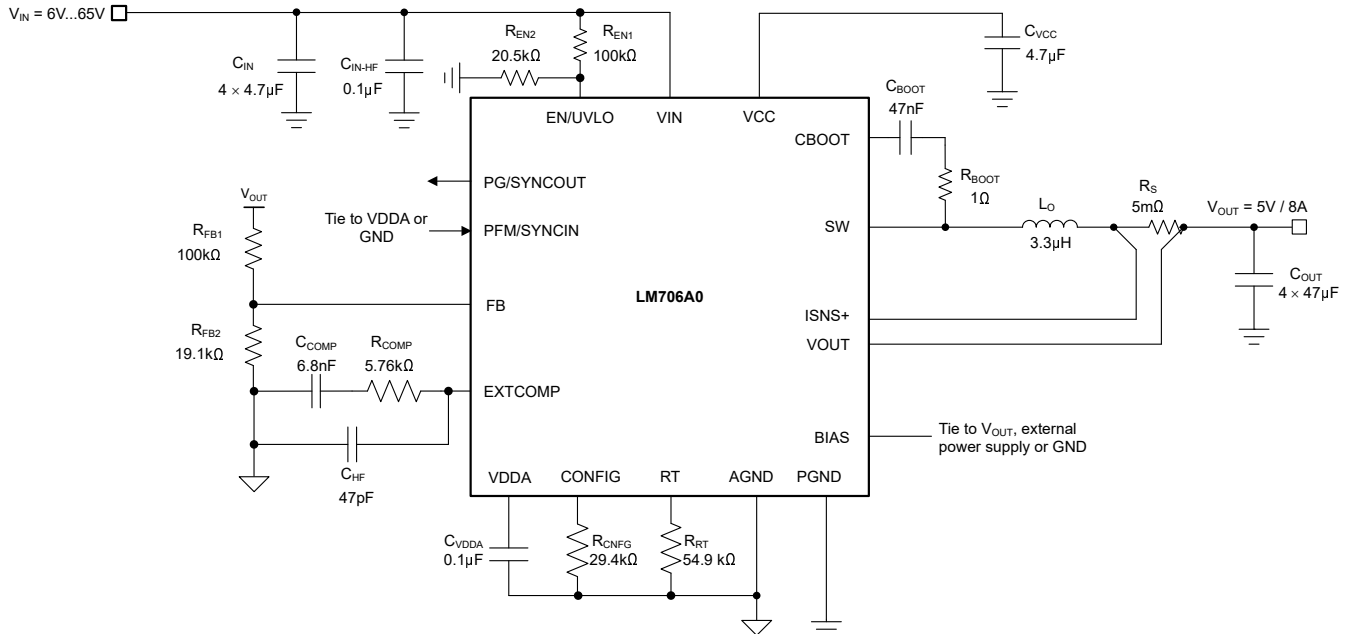


Figure 7-12. Application Circuit 1 With LM706A0 Buck Regulator at 400kHz

Note

This and subsequent design examples are provided herein to showcase the LM706x0 converter in several different applications. Depending on the source impedance of the input supply bus, an electrolytic capacitor can be required at the input to make sure of stability, particularly at low input voltage and high output current operating conditions. See [Power Supply Recommendations](#) for more detail.

7.2.1.1 Design Requirements

Table 7-1 shows the intended input, output, and performance parameters for this design example.

Table 7-1. Design Parameters

| DESIGN PARAMETER | VALUE |
|--|-----------|
| Input voltage range (steady-state) | 8V to 60V |
| Min transient input voltage (cold crank) | 5.5V |
| Max transient input voltage (load dump) | 65V |
| Output voltage | 5V |
| Output current | 8A |
| Switching frequency | 400kHz |
| Output voltage regulation | ±1% |
| Active current, no load | 10µA |
| Shutdown current | 2.2µA |
| Soft-start time | 3ms |

The switching frequency is set at 400kHz by resistor R_{RT} . In terms of control loop performance, the target loop crossover frequency is 30kHz with a phase margin greater than 50°.

The selected buck regulator powertrain components are cited in Table 7-2, and many of the components are available from multiple vendors. This design uses a low-DCR, metal-powder composite inductor, and ceramic output capacitor implementation.

Table 7-2. List of Materials for Application Circuit 1

| REFERENCE DESIGNATOR | QTY | SPECIFICATION | MANUFACTURER | PART NUMBER |
|----------------------|-----|---|-------------------|----------------------|
| C _{IN} | 4 | 4.7µF, 100V, X7S, 1210, ceramic | Murata | GCM32DC72A475KE02L |
| | | | TDK | CGA6M3X7S2A475K200 |
| C _O | 4 | 47µF, 6.3V, X7R, 1210, ceramic | Murata | GCM32ER70J476KE19L |
| | | | Taiyo Yuden | JMK325B7476KMHTR |
| | | 47µF, 10V, X7S, 1210, ceramic | TDK | CGA6P1X7S1A476M250AC |
| L _O | 1 | 3.3µH, 5.9mΩ, 10.1A, 6.71 × 6.51 × 6.1mm | Coilcraft | XGL6060-332MEC |
| | | 3.3µH, 10.8mΩ, 15A, 6.45 × 6.65 × 5.8mm | Würth Electronik | 74439346033 |
| R _S | 1 | Shunt, 5mΩ, 0508, 1W | Susumu | KRL3216T4A-M-R005 |
| U ₁ | 1 | LM706A0 65V, 10A synchronous DC/DC buck converter | Texas Instruments | LM706A0RRXR |

7.2.1.2 Detailed Design Procedure

7.2.1.2.1 Custom Design With WEBENCH® Tools

[Click here](#) to create a custom design using the LM706x0 device with the WEBENCH Power Designer.

1. Start by entering the input voltage (V_{IN}), output voltage (V_{OUT}), and output current (I_{OUT}) requirements.
2. Optimize the design for key parameters such as efficiency, footprint, and cost using the optimizer dial.
3. Compare the generated design with other possible solutions from Texas Instruments.

The WEBENCH Power Designer provides a customized schematic along with a list of materials with real-time pricing and component availability.

In most cases, these actions are available:

- Run electrical simulations to see important waveforms and circuit performance
- Run thermal simulations to understand board thermal performance
- Export customized schematic and layout into popular CAD formats
- Print PDF reports for the design, and share the design with colleagues

Get more information about WEBENCH tools at www.ti.com/WEBENCH.

7.2.1.2.2 Custom Design With Excel Quickstart Tool

Select components based on the regulator specifications using the LM706x0 [Quickstart Calculator tool](#) available for download from the LM706x0 product folder.

7.2.1.2.3 Buck Inductor

1. Use [Equation 30](#) to calculate the required buck inductance based on a 40% inductor ripple current at nominal input voltages.

$$L_O = \frac{V_{OUT}}{\Delta I_{LO} \times F_{SW}} \times \left(1 - \frac{V_{OUT}}{V_{IN(nom)}}\right) = \frac{5V}{3.2A \times 400kHz} \times \left(1 - \frac{5V}{48V}\right) = 3.5\mu H \quad (30)$$

2. Select a standard inductor value of 3.3 μ H. Use [Equation 31](#) to calculate the peak inductor currents at maximum steady-state input voltage. Subharmonic oscillation occurs with a duty cycle greater than 50% for peak current-mode control. For design simplification, the LM706x0 has an internal slope compensation ramp proportional to the switching frequency that is added to the current sense signal to damp any tendency toward subharmonic oscillation.

$$I_{LO(PK)} = I_{OUT} + \frac{\Delta I_{LO}}{2} = I_{OUT} + \frac{V_{OUT}}{2 \times L_O \times F_{SW}} \times \left(1 - \frac{V_{OUT}}{V_{IN(max)}}\right) = 8A + \frac{5V}{2 \times 3.3\mu H \times 400kHz} \times \left(1 - \frac{5V}{60V}\right) = 9.74A \quad (31)$$

3. Based on [Equation 7](#), use [Equation 32](#) to cross-check the inductance to set a slope compensation close to the ideal one times the inductor current downslope. The selected 3.3 μ H has less downslope and is adequate.

$$L_{O(sc)} = \frac{V_{OUT} \times R_S}{24 \times F_{SW}} = \frac{5V \times 5m\Omega}{24 \times 0.4MHz} = 2.6\mu H \quad (32)$$

7.2.1.2.4 Current-Sense Resistance

1. Calculate the current-sense resistance based on a maximum peak current capability of at least 25% higher than the peak inductor current at full load to provide sufficient margin during start-up and load-on transients. Calculate the current sense resistances using [Equation 33](#).

$$R_S = \frac{V_{CS(TH)}}{1.25 \times I_{LO(PK)}} = \frac{56mV}{1.25 \times 9.74} = 4.6m\Omega \quad (33)$$

where

- $V_{CS(TH)}$ is the 56mV current limit threshold.
2. Select a standard resistance value of 5m Ω for the shunt. A 0508 footprint component with wide aspect ratio termination design provides 1-W power rating, low parasitic series inductance, and compact PCB layout.

Carefully observe the [Layout Guidelines](#) to make sure that noise and DC errors do not corrupt the differential current-sense voltages measured at the ISNS+ and VOUT pins.

- Place the shunt resistor close to the inductor.
- Use Kelvin-sense connections, and route the sense lines differentially from the shunt to the LM706x0.
- The ISNS-to-output propagation delay (related to the current limit comparator, internal logic and power MOSFET gate drivers) causes the peak current to increase above the calculated current limit threshold. For a total propagation delay $t_{\text{ISNS(delay)}}$ of 40ns, use [Equation 34](#) to calculate the worst-case peak inductor current with the output shorted.

$$I_{\text{LOPK(SC)}} = \frac{V_{\text{CS(TH)}}}{R_{\text{S}}} + \frac{V_{\text{IN(max)}} \times t_{\text{ISNS(delay)}}}{L_{\text{O}}} = \frac{56\text{mV}}{5\text{m}\Omega} + \frac{60\text{V} \times 45\text{ns}}{3.3\mu\text{H}} = 11.9\text{A} \quad (34)$$

- Based on this result, select an inductor with saturation current greater than 12A across the full operating temperature range.

7.2.1.2.5 Output Capacitors

- Use [Equation 35](#) to estimate the output capacitance required to manage the output voltage overshoot during a load-off transient (from full load to no load) assuming a load transient deviation specification of 5% (250mV for a 5V output).

$$C_{\text{OUT}} \geq \frac{I_{\text{O}} \times \Delta I_{\text{OUT}}^2}{(V_{\text{OUT}} + \Delta V_{\text{OVERSHOOT}})^2 - V_{\text{OUT}}^2} = \frac{3.3\mu\text{H} \times (8\text{A})^2}{(5\text{V} + 250\text{mV})^2 - 5\text{V}^2} = 82\mu\text{F} \quad (35)$$

- Noting the voltage coefficient of ceramic capacitors where the effective capacitance decreases significantly with applied voltage, select four 47μF, 10V, X7S, 1210 ceramic output capacitors. Generally, when sufficient capacitance is used to satisfy the load-off transient response requirement, the voltage undershoot during a no-load to full-load transient is also satisfactory.
- Use [Equation 36](#) to estimate the peak-peak output voltage ripple at nominal input voltage.

$$\Delta V_{\text{OUT}} = \sqrt{\left(\frac{\Delta I_{\text{LO}}}{8 \times F_{\text{SW}} \times C_{\text{OUT}}}\right)^2 + (R_{\text{ESR}} \times \Delta I_{\text{LO}})^2} = \sqrt{\left(\frac{3.2\text{A}}{8 \times 400\text{kHz} \times 82\mu\text{F}}\right)^2 + (1\text{m}\Omega \times 3.2\text{A})^2} = 12.6\text{mV} \quad (36)$$

where

- R_{ESR} is the effective equivalent series resistance (ESR) of the output capacitors.
 - 82μF is the total effective (derated) ceramic output capacitance at 5V.
- Use [Equation 37](#) to calculate the output capacitor RMS ripple current using and verify that the ripple current is within the capacitor ripple current rating.

$$I_{\text{CO(RMS)}} = \frac{\Delta I_{\text{LO}}}{\sqrt{12}} = \frac{3.2\text{A}}{\sqrt{12}} = 0.92\text{A} \quad (37)$$

7.2.1.2.6 Input Capacitors

A power supply input typically has a relatively high source impedance at the switching frequency. Good-quality input capacitors are necessary to limit the input ripple voltage. As mentioned earlier, dual-channel interleaved operation significantly reduces the input ripple amplitude. In general, the ripple current splits between the input capacitors based on the relative impedance of the capacitors at the switching frequency.

- Select the input capacitors with sufficient voltage and RMS ripple current ratings.
- Use [Equation 38](#) to calculate the input capacitor RMS ripple current assuming a worst-case duty-cycle operating point of 50%.

$$I_{\text{CIN(rms)}} = I_{\text{OUT}} \times \sqrt{D \times (1 - D)} = 8\text{A} \times \sqrt{0.5 \times (1 - 0.5)} = 4\text{A} \quad (38)$$

- Use [Equation 39](#) to find the required input capacitance.

$$C_{\text{IN}} \geq \frac{D \times (1 - D) \times I_{\text{OUT}}}{F_{\text{SW}} \times (\Delta V_{\text{IN}} - R_{\text{ESR}} \times I_{\text{OUT}})} = \frac{0.5 \times (1 - 0.5) \times 8\text{A}}{400\text{kHz} \times (480\text{mV} - 2\text{m}\Omega \times 8\text{A})} = 10.8\mu\text{F} \quad (39)$$

where

- ΔV_{IN} is the input peak-to-peak ripple voltage specification.
 - R_{ESR} is the input capacitor ESR.
4. Recognizing the voltage coefficient of ceramic capacitors, select two 4.7 μ F, 100V, X7R, 1210 ceramic input capacitors. Place these capacitors adjacent to the VIN and PGND pins.
 5. Use a 10nF, 100V, X7R, 0603 ceramic capacitor near the VIN and PGND pins to supply the high di/dt current during MOSFET switching transitions. Such capacitors offer high self-resonant frequency (SRF) and low effective impedance above 100MHz. The result is lower power loop parasitic inductance, thus minimizing switch-node voltage overshoot and ringing for lower conducted and radiated EMI signature. Refer to [Layout Guidelines](#) for more detail.

7.2.1.2.7 Frequency Set Resistor

Calculate the R_T resistance for a switching frequency of 400kHz using [Equation 40](#). Choose the nearest standard E96 value of 54.9k Ω .

$$R_{RT}[\text{k}\Omega] = \frac{10^6}{f_{SW}[\text{kHz}] - 53} = \frac{10^6}{400 - 53} = 54.4\text{k}\Omega \quad (40)$$

7.2.1.2.8 Feedback Resistors

If an output voltage setpoint other than 3.3V or 5V is required (or to measure a bode plot when using either of the fixed output voltage options), determine the feedback resistances using [Equation 41](#).

$$R_{FB2} = \frac{R_{FB1}}{\left(\frac{V_{OUT}}{V_{REF}}\right) - 1} = \frac{100\text{k}\Omega}{\left(\frac{5\text{V}}{0.8\text{V}}\right) - 1} = 19.05\text{k}\Omega \quad (41)$$

7.2.1.2.9 Compensation Components

Choose compensation components for a stable control loop using the procedure outlined as follows.

1. Based on a specified loop gain crossover frequency, f_C , of 40kHz, use [Equation 42](#) to calculate R_{COMP} , assuming an effective output capacitance of 82 μ F. Choose a standard value for R_{COMP} of 5.36k Ω .

$$R_{COMP} = 2 \times \pi \times f_C \times \frac{V_{OUT}}{V_{REF}} \times \frac{R_S \times G_{CS}}{g_m} \times C_{OUT} = 2 \times \pi \times 40\text{kHz} \times \frac{5\text{V}}{0.8\text{V}} \times \frac{5\text{m}\Omega \times 10}{1200\mu\text{S}} \times 82\mu\text{F} = 5.37\text{k}\Omega \quad (42)$$

2. To provide adequate phase boost at crossover while also allowing a fast settling time during a load or line transient, select C_{COMP} to place a zero at the higher of (1) one tenth of the crossover frequency, or (2) the load pole. Choose a standard value for C_{COMP} of 6.8nF.

$$C_{COMP} = \frac{10}{2 \times \pi \times f_C \times R_{COMP}} = \frac{10}{2 \times \pi \times 40\text{kHz} \times 5.36\text{k}\Omega} = 7.42\text{nF} \quad (43)$$

Such a low capacitance value also helps to avoid output voltage overshoot when recovering from dropout (when the input voltage is less than the output voltage setpoint and V_{COMP} is railed high).

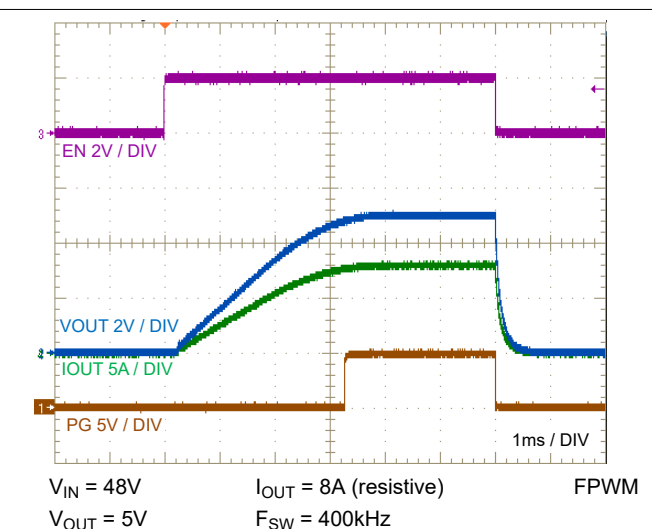
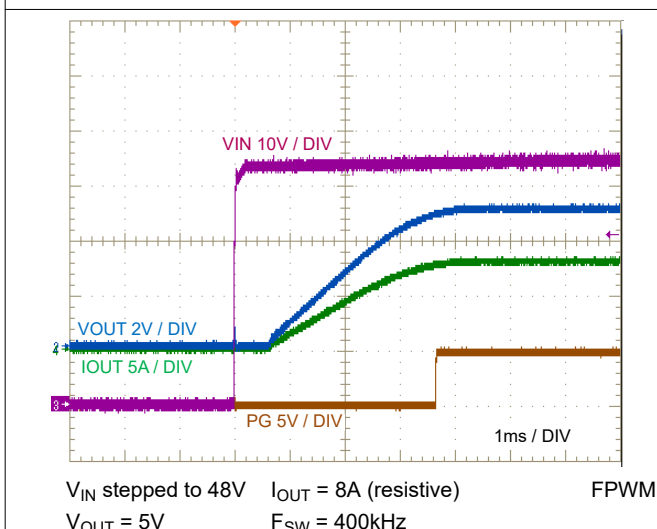
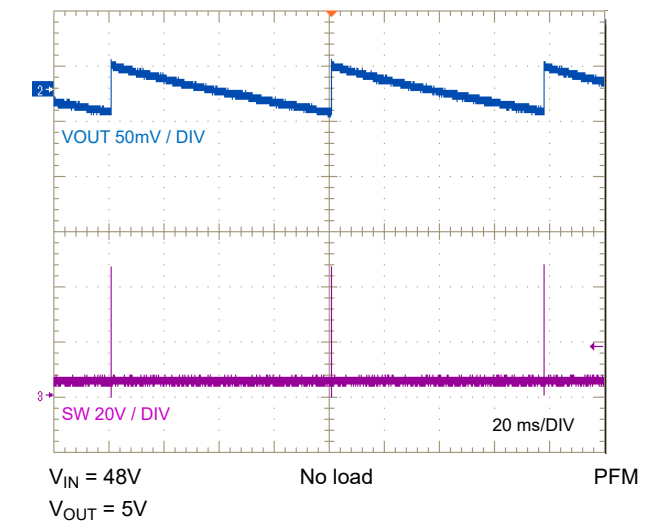
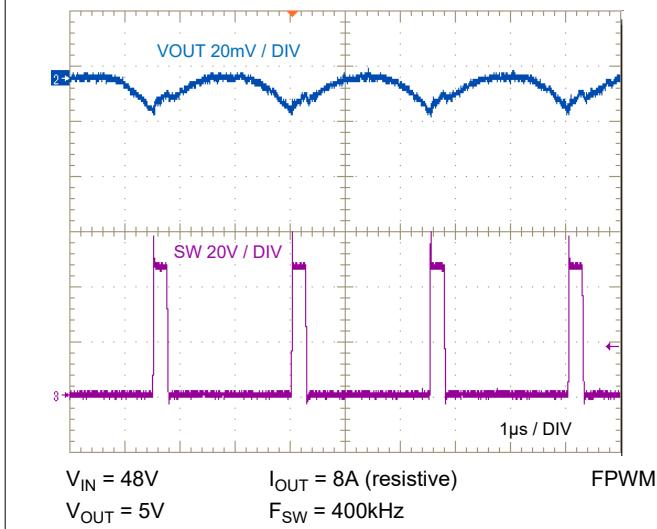
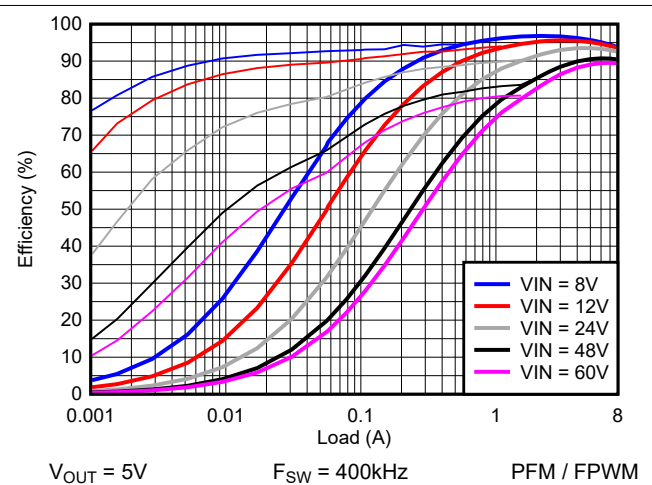
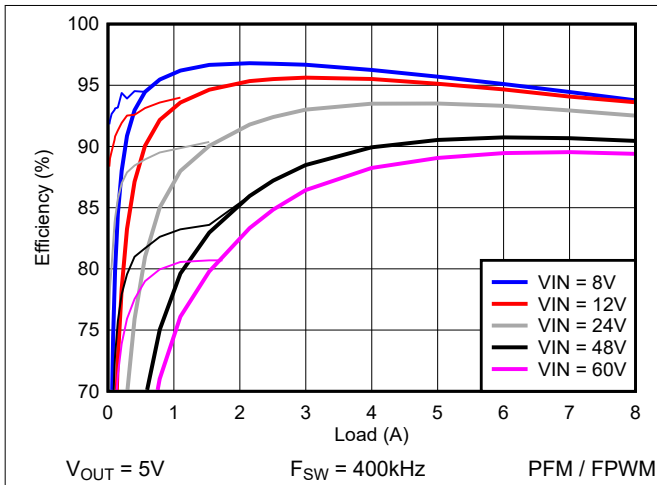
3. Calculate C_{HF} to create a pole at the ESR zero and to attenuate high-frequency noise at COMP. C_{BW} is the bandwidth-limiting capacitance of the error amplifier. Select a standard value for C_{HF} of 47pF.

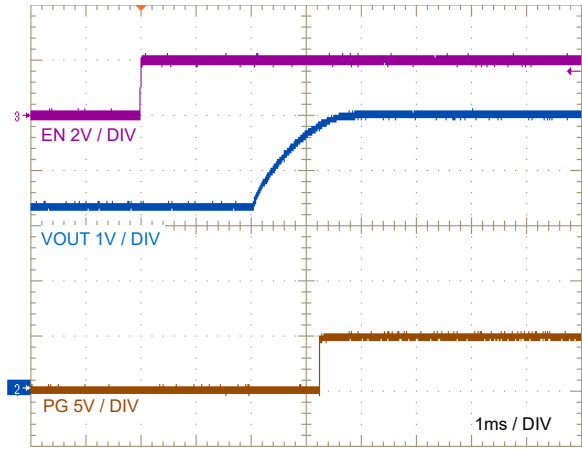
$$C_{HF} = \frac{1}{2 \times \pi \times f_{ESR} \times R_{COMP}} - C_{BW} = \frac{1}{2 \times \pi \times 500\text{kHz} \times 5.36\text{k}\Omega} - 38\text{pF} = 21\text{pF} \quad (44)$$

Note

Set a fast loop with high R_{COMP} and low C_{COMP} values to improve the response when recovering from operation in dropout.

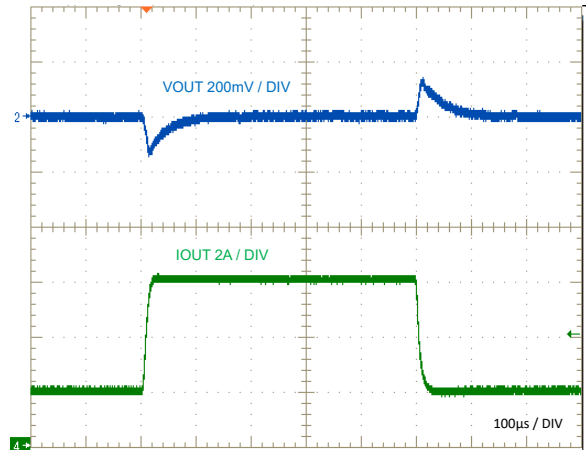
7.2.1.3 Application Curves





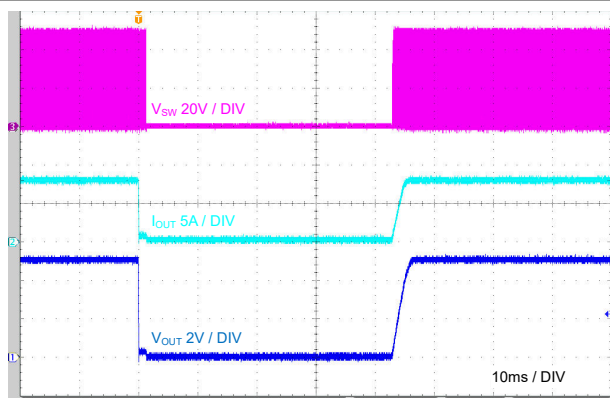
$V_{IN} = 48V$ $I_{OUT} = 8A$ (resistive) FPWM
 $V_{OUT} = \text{Prebiased to } 5V$ $F_{SW} = 400kHz$

Figure 7-19. EN Startup Prebias Characteristic



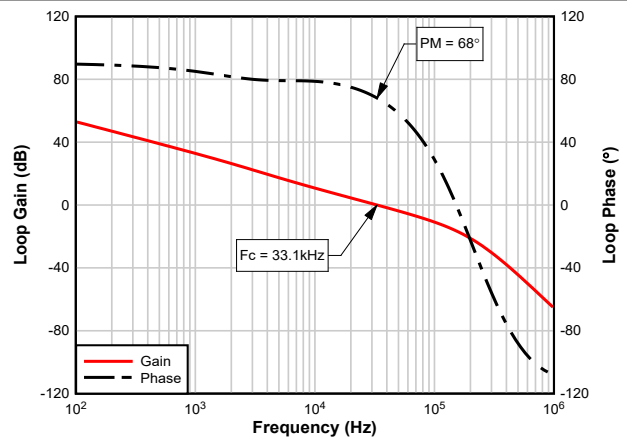
$V_{IN} = 48V$ $V_{OUT} = 5V$ FPWM

Figure 7-20. Load Transient, 2A to 6A



$V_{IN} = 48V$ $I_{OUT} = 8A$ (resistive) FPWM
 $V_{OUT} = 5V$ $F_{SW} = 400kHz$

Figure 7-21. Short-Circuit Recovery



$F_c = \text{crossover frequency}$, $PM = \text{phase margin}$.
 $V_{IN} = 48V$ $I_{OUT} = 8A$ (resistive) FPWM
 $V_{OUT} = 5V$ $F_{SW} = 400kHz$ $L = 3.3\mu H$

Figure 7-22. Bode Plot

7.2.2 Design 2 – High Efficiency 24V to 3.3V 400kHz Synchronous Buck Regulator

Figure 7-23 shows the schematic diagram of a single-output synchronous buck regulator with the output voltage of 3.3V and a rated load current of 10A. In this example, the target half-load and full-load efficiencies are 90.9% and 88.1%, respectively, based on a nominal input voltage of 24V that ranges from 12V to 42V. The switching frequency is set at 400kHz by resistor R_{RT} .

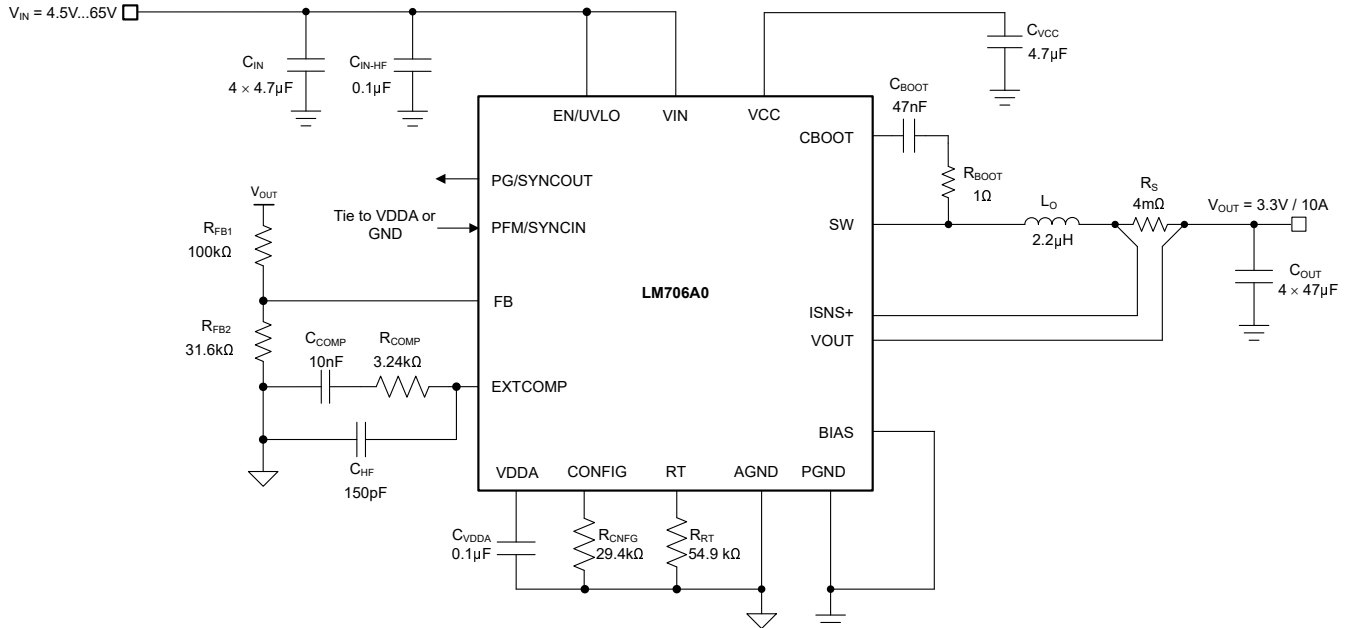


Figure 7-23. Application Circuit 2 With LM706A0 Buck Regulator at 400kHz

7.2.2.1 Design Requirements

Table 7-3 shows the intended input, output, and performance parameters for this automotive design example.

Table 7-3. Design Parameters

| DESIGN PARAMETER | VALUE |
|--|------------|
| Input voltage range (steady-state) | 12V to 42V |
| Min transient input voltage (cold crank) | 5V |
| Max transient input voltage (load dump) | 65V |
| Output voltage | 3.3V |
| Output current | 10A |
| Switching frequency | 400kHz |
| Output voltage regulation | ±1% |
| Active current, no load | 12µA |
| Shutdown current | 2.2µA |
| Soft-start time | 3ms |

The switching frequency is set at 400kHz by resistor R_{RT} . The selected buck regulator powertrain components are cited in Table 7-4 and many of the components are available from multiple vendors. This design uses a low-DCR, metal-powder composite inductor and ceramic output capacitor implementation.

Table 7-4. List of Materials for Application Circuit 2

| REFERENCE DESIGNATOR | QTY | SPECIFICATION | MANUFACTURER | PART NUMBER |
|----------------------|-----|--|-------------------|----------------------|
| C_{IN} | 4 | 4.7µF, 100V, X7S, 1210, ceramic | Murata | GCM32DC72A475KE02L |
| | | | TDK | CGA6M3X7S2A475K200 |
| C_O | 4 | 47µF, 10V, X7R, 1210, ceramic, AEC-Q200 | Murata | GRM32ER71A476KE15L |
| | | 47µF, 10V, X7S, 1210, ceramic, AEC-Q200 | TDK | CNA6P1X7S1A476M250AE |
| L_O | 1 | 2.2µH, 3.8mΩ, 21.5A, 11.3 × 10 × 6mm, AEC-Q200 | Coilcraft | XGL1060-222MEC |
| | | 2.2µH, 3.8mΩ, 26A, 11.2 × 10.3 × 6.5mm, AEC-Q200 | Cyntec | VCHA106E-2R2MS6 |
| | | 2.2µH, 4.1mΩ, 21.4A, 11.2 × 10.3 × 5.4mm, AEC-Q200 | Cyntec | VCHA105D-2R2MS6 |
| R_S | 1 | Shunt, 4mΩ, 0508, 1W, AEC-Q200 | Susumu | KRL2012E-M-R004-F-T5 |
| U_1 | 1 | LM706A0 65V, 10A synchronous DC/DC buck converter | Texas Instruments | LM706A0RRXR |

7.2.2.2 Detailed Design Procedure

See Section 7.2.1.2.

7.2.2.3 Application Curves

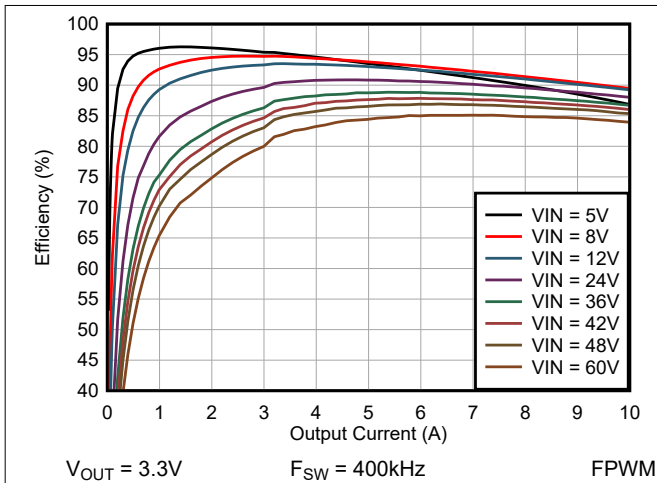


Figure 7-24. Efficiency versus I_{OUT}, Linear Scale

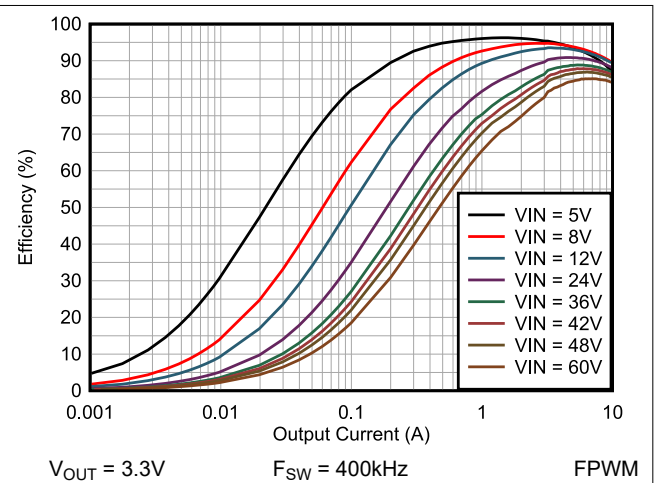


Figure 7-25. Efficiency versus I_{OUT}, Log Scale

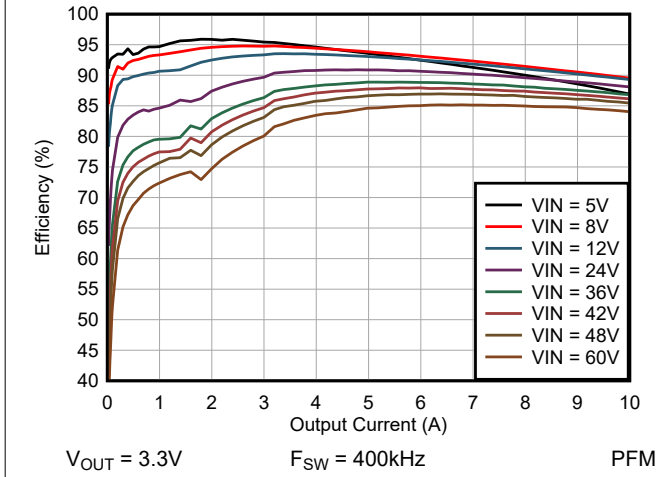


Figure 7-26. Efficiency versus I_{OUT}, Linear Scale

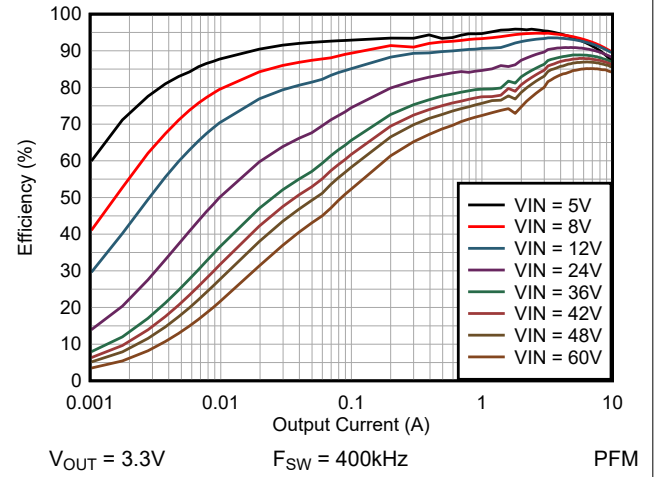


Figure 7-27. Efficiency versus I_{OUT}, Log Scale

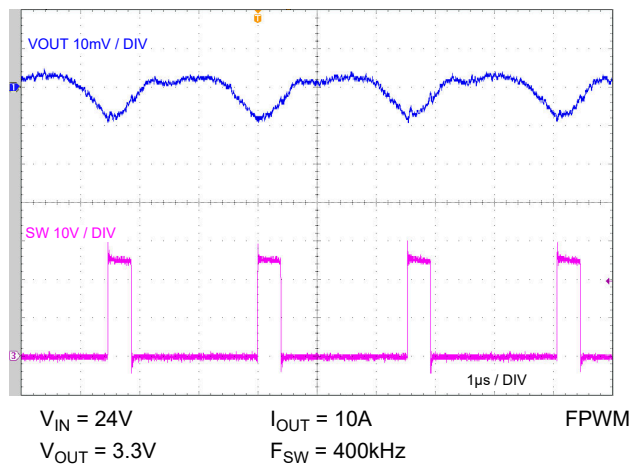


Figure 7-28. Full Load Switching

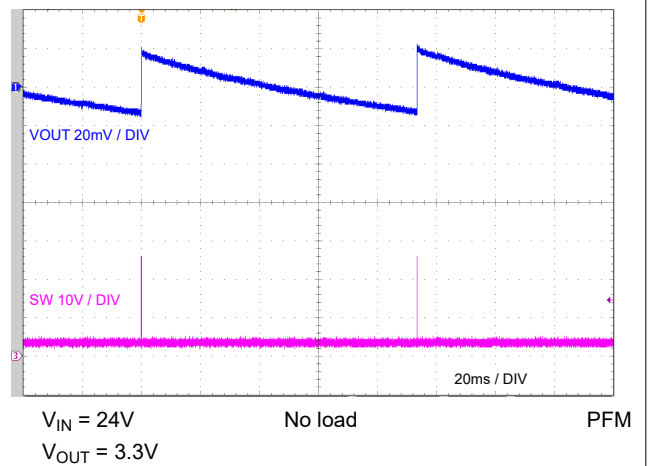
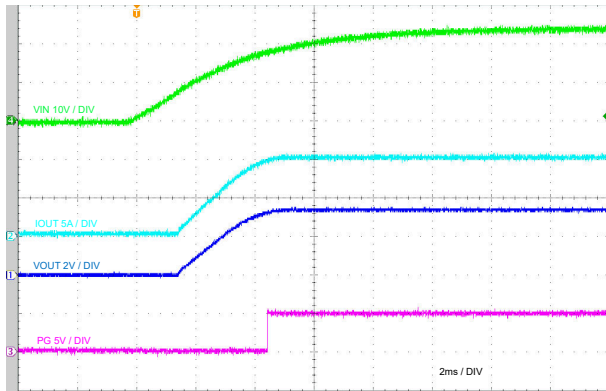
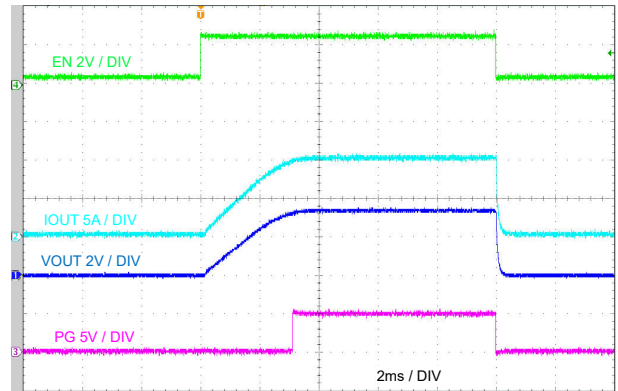


Figure 7-29. PFM Switching



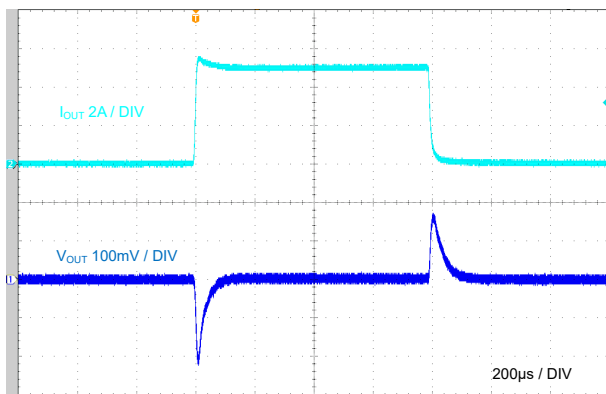
V_{IN} stepped to 24V $I_{OUT} = 10A$ (resistive) FPWM
 $V_{OUT} = 3.3V$ $F_{SW} = 400kHz$

Figure 7-30. V_{IN} Start-Up Characteristic



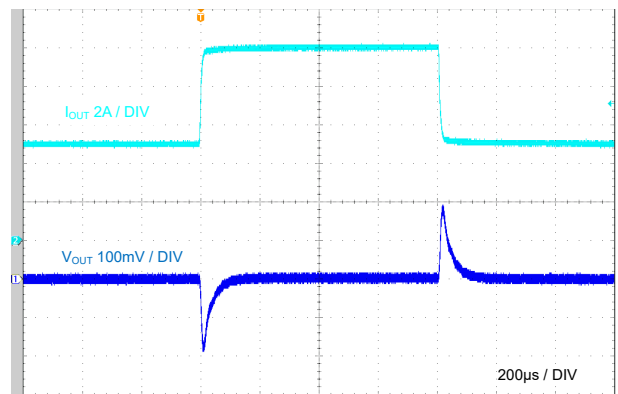
$V_{IN} = 24V$ $I_{OUT} = 10A$ (resistive) FPWM
 $V_{OUT} = 3.3V$ $F_{SW} = 400kHz$

Figure 7-31. EN Start-Up and Shutdown Characteristic



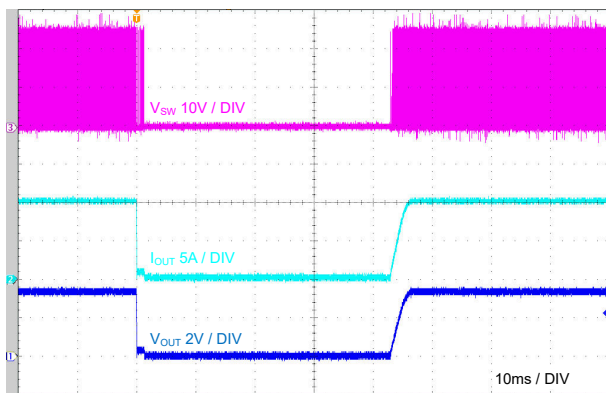
$V_{IN} = 24V$ FPWM
 $V_{OUT} = 3.3V$

Figure 7-32. Load Transient, 0A to 5A



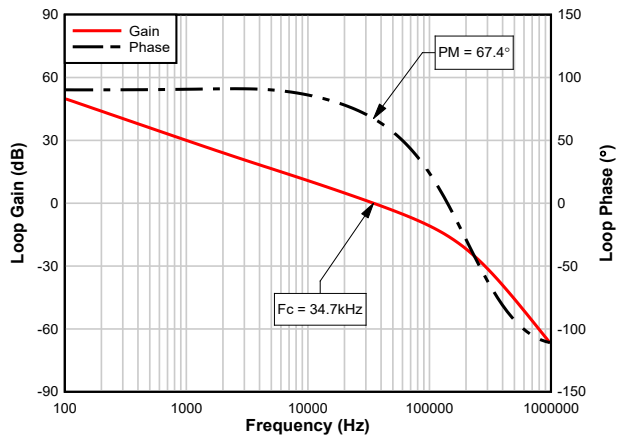
$V_{IN} = 24V$ FPWM
 $V_{OUT} = 3.3V$

Figure 7-33. Load Transient, 5A to 10A



$V_{IN} = 24V$ $I_{OUT} = 10A$ (resistive) FPWM
 $V_{OUT} = 3.3V$ $F_{SW} = 400kHz$

Figure 7-34. Short-Circuit Recovery



F_c = crossover frequency, PM = phase margin.
 $V_{IN} = 24V$ $F_{SW} = 400kHz$ FPWM
 $V_{OUT} = 3.3V$ $I_{OUT} = 10A$ (resistive) $L = 2.2\mu H$

Figure 7-35. Bode Plot

7.3 Power Supply Recommendations

The LM706x0 is designed to operate from a wide input voltage range of 4.5V to 65V. The input supply must be capable of delivering the required input current to the fully-loaded regulator. Estimate the average input current with the following equation.

$$I_{IN} = \frac{P_{OUT}}{V_{IN} \times \eta} \quad (45)$$

where

- η is the efficiency

If the device is connected to an input supply through long wires or PCB traces with a large impedance, take special care to achieve stable performance. The parasitic inductance and resistance of the input cables can have an adverse affect on converter operation. The parasitic inductance in combination with the low-ESR ceramic input capacitors form an underdamped resonant circuit. This circuit can cause overvoltage transients at VIN each time the input supply is cycled ON and OFF. The parasitic resistance causes the input voltage to dip during a load transient. The best way to solve such issues is to reduce the distance from the input supply to the regulator and use an aluminum or tantalum input capacitor in parallel with the ceramics. The moderate ESR of the electrolytic capacitors helps to damp the input resonant circuit and reduce any voltage overshoots. A capacitance in the range of 10 μ F to 47 μ F is usually sufficient to provide parallel input damping and helps to hold the input voltage steady during large load transients.

An EMI input filter is often used in front of the regulator that, unless carefully designed, can lead to instability as well as some of the effects mentioned above. The [Simple Success with Conducted EMI for DC-DC Converters application report](#) provides helpful suggestions when designing an input filter for any switching regulator.

7.4 Layout

7.4.1 Layout Guidelines

Proper PCB design and layout is important in high-current, fast-switching converter circuits (with high current and voltage slew rates) to achieve reliable device operation and design robustness. Furthermore, the EMI performance of the converter depends to a large extent on PCB layout.

The high-frequency power loop of a buck regulator power stage is denoted in red and the topological architecture of a buck regulator means that particularly high di/dt current flows in the components shown in [Figure 7-36](#). Reducing the parasitic inductance of this loop by minimizing the effective loop area becomes mandatory.

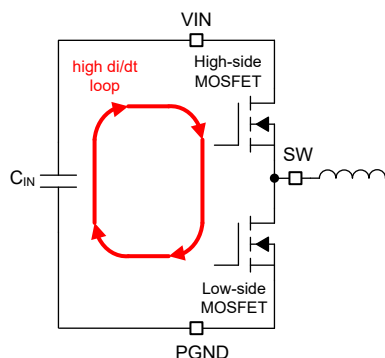


Figure 7-36. Input Current Loop

The following list summarizes the essential guidelines for PCB layout and component placement to optimize DC/DC converter performance, including thermals and EMI signature. [Figure 7-37](#) shows a recommended layout of the LM706x0 with optimized placement and routing of the power-stage and small-signal components.

- *Place the input capacitors as close as possible to the input power pins:* The VIN and PGND pins are close together (with a gap in between to increase clearance), thus simplifying input capacitor placement.
 - Use low-ESR ceramic capacitors with X7R or X7S dielectric from VIN to PGND. Place an 0402 capacitor close to VIN for high-frequency bypass as shown in [Figure 7-37](#). Use additional 1206 or 1210 capacitors for bulk capacitance.
 - Ground return paths for both the input and output capacitors must consist of localized top-side planes that connect to the PGND pins.
- *Use a solid ground plane on the PCB layer beneath the top layer with the IC:* This plane acts as a noise shield and a heat dissipation path. Using the PCB layer directly below the IC minimizes the magnetic field associated with the currents in the switching loops, thus reducing parasitic inductance and switch voltage overshoot and ringing. Use numerous thermal vias near PGND for heatsinking to the inner ground planes.
- *Make the VIN, VOUT, and GND bus connections as wide as possible:* These paths must be wide and direct as possible to reduce any voltage drops on the input or output paths of the converter, thus maximizing efficiency.
- *Locate the buck inductor close to the SW1, SW2, and SW3 pins:* Use a short, wide connection trace from the converter SW pins to the inductor. At the same time, minimize the length (and area) of this high-dv/dt surface to help reduce capacitive coupling and radiated EMI. Connect the dotted terminal of the inductor to the SW pins.
- *Place the VCC and BOOT capacitors close to the respective pins:* The VCC and BOOT capacitors represent the supplies for the internal low-side and high-side MOSFET gate drivers, respectively, and thus carry high-frequency currents. Locate C_{VCC} close to the VCC pin and place a GND via at the return terminal to connect to the GND plane and thus back to IC GND at the exposed pad. Connect C_{BOOT} close to the CBOOT and SW4 pins.
- *Place the feedback divider as close as possible to the FB pin:* Reduce noise sensitivity of the output voltage feedback path by placing the resistor divider close to the FB pin, rather than close to the load. This reduces the FB trace length and related noise coupling. The FB pin is the input to the voltage-loop error amplifier and represents a high-impedance node sensitive to noise. The connection to V_{OUT} can be somewhat longer. However, this latter trace must not be routed near any noise source (such as the switch node) that can capacitively couple into the feedback path of the converter.
- *Provide enough PCB area for proper heatsinking:* Use sufficient copper area to achieve a low thermal impedance commensurate with the maximum load current and ambient temperature conditions. Provide adequate heatsinking for the LM706x0 to keep the junction temperature below 150°C. For operation at full rated load, the top-side ground plane is an important heat-dissipating area. Use an array of heat-sinking vias to connect the exposed pad (GND) of the package to the PCB ground plane. If the PCB has multiple copper layers, connect these thermal vias to inner-layer ground planes. Make the top and bottom PCB layers preferably with two-ounce copper thickness (and no less than one ounce).

7.4.1.1 Thermal Design and Layout

For a DC/DC converter to be useful over a particular temperature range, the package must allow for the efficient removal of the heat produced while keeping the junction temperature within rated limits. The LM706x0 is available in a small 6mm × 6mm 29-pin QFN integrated circuit package to cover a range of application requirements. This section summarizes the thermal metrics of this package.

Numerous vias with a 0.3mm diameter connected from the thermal pads to the internal and solder-side plane or planes are vital to help dissipation. In a multilayer PCB design, a solid GND plane is typically placed on the PCB layer below the power components. Not only does this action provide a plane for the power stage currents to flow but this action also represents a thermally conductive path away from the heat generating devices.

7.4.2 Layout Example

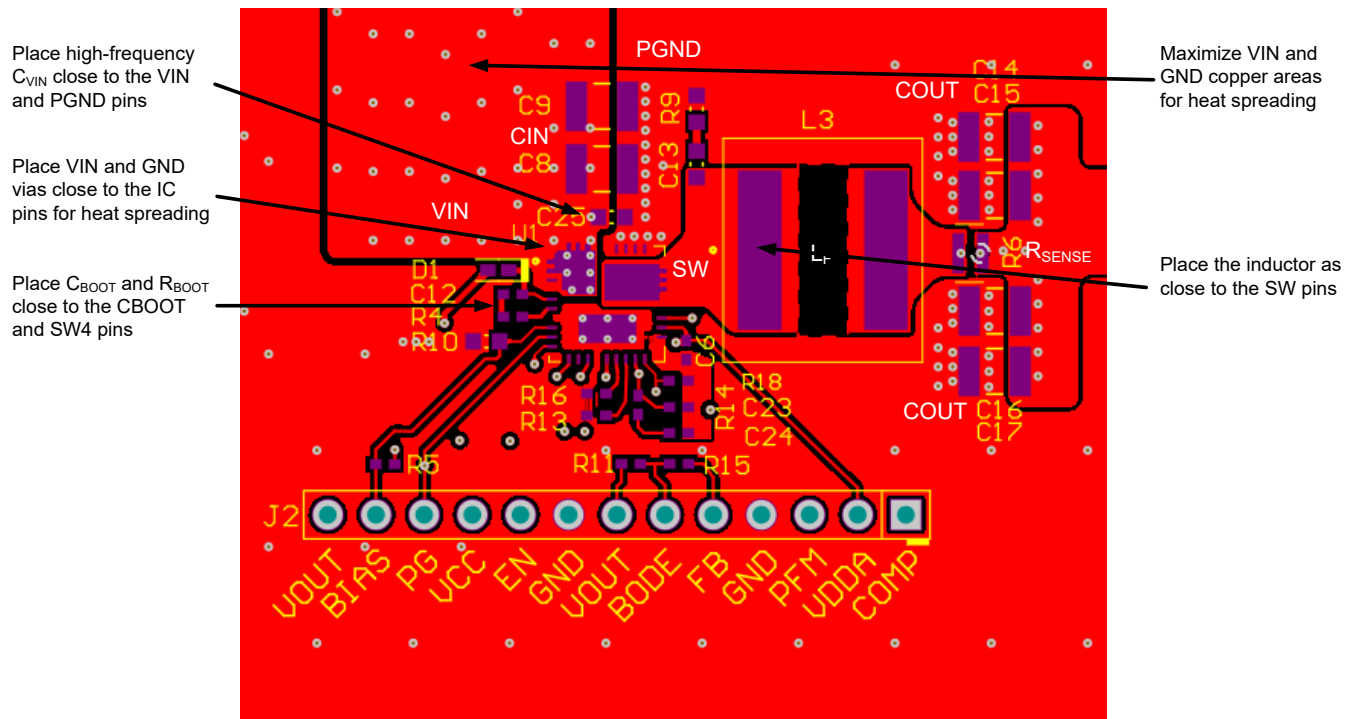


Figure 7-37. PCB Top Layer – High Density, Single-sided Design

8 Device and Documentation Support

8.1 Device Support

8.1.1 Development Support

For development support see the following:

- LM706x0 - [LM70660 or LM706A0 Quickstart Calculator tool](#)
- LM706x0 - [LM70660 or LM706A0 Simulation Models](#)
- For TI's reference design library, visit [TI Designs](#)
- For TI's WEBENCH Design Environment, visit the [WEBENCH® Design Center](#)
- TI Designs:
 - [137W Holdup Converter for Storage Server Reference Design](#)
 - [Wide Input Synchronous Buck Converter Reference Design With Frequency Spread Spectrum](#)
- Technical articles:
 - [High-Density PCB Layout of DC/DC Converters](#)
 - [Synchronous Buck Controller Solutions Support Wide \$V_{IN}\$ Performance and Flexibility](#)
 - [How to Use Slew Rate for EMI Control](#)

8.1.1.1 Custom Design With WEBENCH® Tools

[Click here](#) to create a custom design using the LM706x0 device with the WEBENCH Power Designer.

1. Start by entering the input voltage (V_{IN}), output voltage (V_{OUT}), and output current (I_{OUT}) requirements.
2. Optimize the design for key parameters such as efficiency, footprint, and cost using the optimizer dial.
3. Compare the generated design with other possible solutions from Texas Instruments.

The WEBENCH Power Designer provides a customized schematic along with a list of materials with real-time pricing and component availability.

In most cases, these actions are available:

- Run electrical simulations to see important waveforms and circuit performance
- Run thermal simulations to understand board thermal performance
- Export customized schematic and layout into popular CAD formats
- Print PDF reports for the design, and share the design with colleagues

Get more information about WEBENCH tools at www.ti.com/WEBENCH.

8.2 Documentation Support

8.2.1 Related Documentation

For related documentation see the following:

- Application notes:
 - Texas Instruments, [Improve High-current DC/DC Regulator Performance for Free with Optimized Power Stage Layout](#)
 - Texas Instruments, [AN-2162 Simple Success with Conducted EMI from DC-DC Converters](#)
- Analog design journal:
 - Texas Instruments, [Reduce Buck Converter EMI and Voltage Stress by Minimizing Inductive Parasitics](#)
- White papers:
 - Texas Instruments, [An Overview of Conducted EMI Specifications for Power Supplies](#)
 - Texas Instruments, [An Overview of Radiated EMI Specifications for Power Supplies](#)
 - Texas Instruments, [Valuing Wide \$V_{IN}\$, Low EMI Synchronous Buck Circuits for Cost-driven, Demanding Applications](#)

8.2.1.1 PCB Layout Resources

- Application notes:
 - Texas Instruments, [Improve High-current DC/DC Regulator Performance for Free with Optimized Power Stage Layout](#)

- Texas Instruments, [AN-1149 Layout Guidelines for Switching Power Supplies](#)
- Texas Instruments, [AN-1229 Simple Switcher PCB Layout Guidelines](#)
- Texas Instruments, [Low Radiated EMI Layout Made SIMPLE with LM4360x and LM4600x](#)
- Seminars:
 - Texas Instruments, [Constructing Your Power Supply – Layout Considerations](#)

8.2.1.2 Thermal Design Resources

- Application notes:
 - Texas Instruments, [AN-2020 Thermal Design by Insight, Not Hindsight](#)
 - [AN-1520 A Guide to Board Layout for Best Thermal Resistance for Exposed Pad Packages](#)
 - Texas Instruments, [Semiconductor and IC Package Thermal Metrics](#)
 - Texas Instruments, [Thermal Design Made Simple with LM43603 and LM43602](#)
 - Texas Instruments, [PowerPAD™ Thermally Enhanced Package](#)
 - Texas Instruments, [PowerPAD Made Easy](#)
 - Texas Instruments, [Using New Thermal Metrics](#)

8.3 Receiving Notification of Documentation Updates

To receive notification of documentation updates, navigate to the device product folder on [ti.com](#). Click on *Notifications* to register and receive a weekly digest of any product information that has changed. For change details, review the revision history included in any revised document.

8.4 Support Resources

[TI E2E™ support forums](#) are an engineer's go-to source for fast, verified answers and design help — straight from the experts. Search existing answers or ask your own question to get the quick design help you need.

Linked content is provided "AS IS" by the respective contributors. They do not constitute TI specifications and do not necessarily reflect TI's views; see TI's [Terms of Use](#).

8.5 Trademarks

PowerPAD™ and TI E2E™ are trademarks of Texas Instruments.
WEBENCH® is a registered trademark of Texas Instruments.
All trademarks are the property of their respective owners.

8.6 Electrostatic Discharge Caution



This integrated circuit can be damaged by ESD. Texas Instruments recommends that all integrated circuits be handled with appropriate precautions. Failure to observe proper handling and installation procedures can cause damage.

ESD damage can range from subtle performance degradation to complete device failure. Precision integrated circuits may be more susceptible to damage because very small parametric changes could cause the device not to meet its published specifications.

8.7 Glossary

[TI Glossary](#) This glossary lists and explains terms, acronyms, and definitions.

9 Revision History

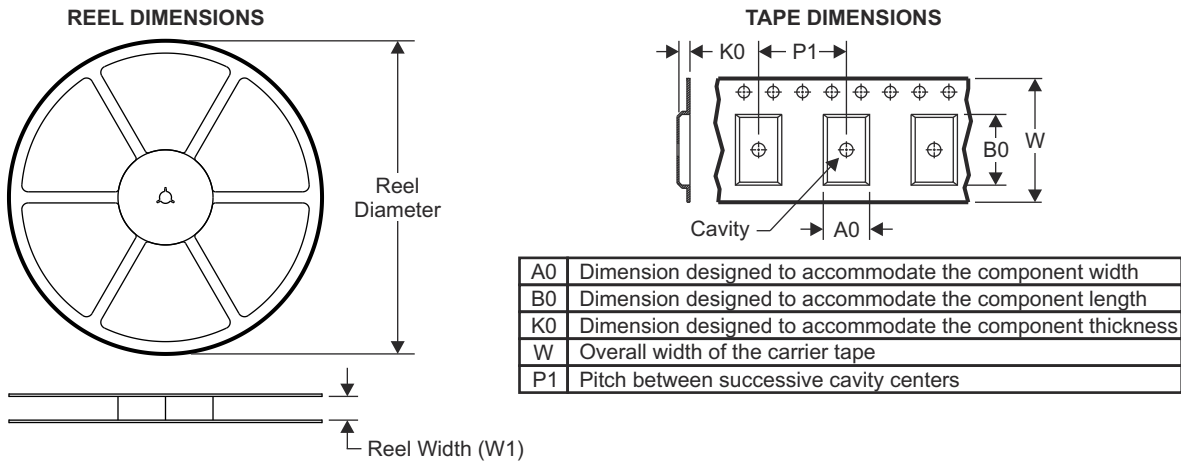
NOTE: Page numbers for previous revisions may differ from page numbers in the current version.

| DATE | REVISION | NOTES |
|----------------|----------|-----------------|
| September 2024 | * | Initial release |

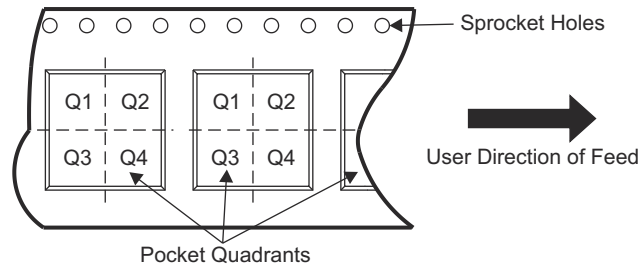
10 Mechanical, Packaging, and Orderable Information

The following pages show mechanical, packaging, and orderable information. This information is the most current data available for the designated devices. This data is subject to change without notice and revision of this document. For browser-based versions of this data sheet, refer to the left-hand navigation.

10.1 Tape and Reel Information

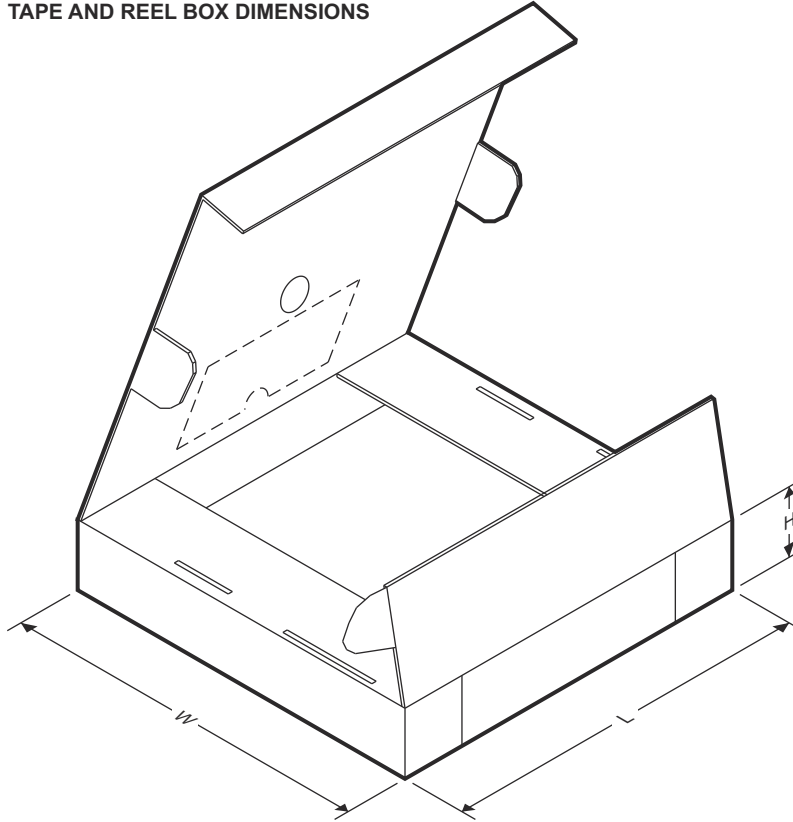


QUADRANT ASSIGNMENTS FOR PIN 1 ORIENTATION IN TAPE



| Device | Package Type | Package Drawing | Pins | SPQ | Reel Diameter (mm) | Reel Width W1 (mm) | A0 (mm) | B0 (mm) | K0 (mm) | P1 (mm) | W (mm) | Pin1 Quadrant |
|-------------|--------------|-----------------|------|------|--------------------|--------------------|---------|---------|---------|---------|--------|---------------|
| LM70660RRXR | VQFN | RRX | 29 | 3000 | 330.0 | 12.4 | 3.8 | 5.8 | 1.2 | 8.0 | 12.0 | Q2 |
| LM706A0RRXR | VQFN | RRX | 29 | 3000 | 330.0 | 12.4 | 3.8 | 5.8 | 1.2 | 8.0 | 12.0 | Q2 |

TAPE AND REEL BOX DIMENSIONS



| Device | Package Type | Package Drawing | Pins | SPQ | Length (mm) | Width (mm) | Height (mm) |
|-------------|--------------|-----------------|------|------|-------------|------------|-------------|
| LM70660RRXR | VQFN | RRX | 29 | 3000 | 367.0 | 367.0 | 35.0 |
| LM706A0RRXR | VQFN | RRX | 29 | 3000 | 367.0 | 367.0 | 35.0 |

PACKAGING INFORMATION

| Orderable Device | Status (1) | Package Type | Package Drawing | Pins | Package Qty | Eco Plan (2) | Lead finish/ Ball material (6) | MSL Peak Temp (3) | Op Temp (°C) | Device Marking (4/5) | Samples |
|------------------|---------------|--------------|-----------------|------|-------------|------------------------|--------------------------------------|----------------------|--------------|-------------------------|-------------------------|
| LM70660RRXR | ACTIVE | VQFN | RRX | 29 | 3000 | RoHS-Exempt & Green | NIPDAU | Level-2-260C-1 YEAR | -40 to 150 | 70660 | Samples |
| LM706A0RRXR | ACTIVE | VQFN | RRX | 29 | 3000 | RoHS-Exempt & Green | NIPDAU | Level-2-260C-1 YEAR | -40 to 150 | 706A0 | Samples |

(1) The marketing status values are defined as follows:

ACTIVE: Product device recommended for new designs.

LIFEBUY: TI has announced that the device will be discontinued, and a lifetime-buy period is in effect.

NRND: Not recommended for new designs. Device is in production to support existing customers, but TI does not recommend using this part in a new design.

PREVIEW: Device has been announced but is not in production. Samples may or may not be available.

OBSOLETE: TI has discontinued the production of the device.

(2) **RoHS:** TI defines "RoHS" to mean semiconductor products that are compliant with the current EU RoHS requirements for all 10 RoHS substances, including the requirement that RoHS substance do not exceed 0.1% by weight in homogeneous materials. Where designed to be soldered at high temperatures, "RoHS" products are suitable for use in specified lead-free processes. TI may reference these types of products as "Pb-Free".

RoHS Exempt: TI defines "RoHS Exempt" to mean products that contain lead but are compliant with EU RoHS pursuant to a specific EU RoHS exemption.

Green: TI defines "Green" to mean the content of Chlorine (Cl) and Bromine (Br) based flame retardants meet JS709B low halogen requirements of <=1000ppm threshold. Antimony trioxide based flame retardants must also meet the <=1000ppm threshold requirement.

(3) MSL, Peak Temp. - The Moisture Sensitivity Level rating according to the JEDEC industry standard classifications, and peak solder temperature.

(4) There may be additional marking, which relates to the logo, the lot trace code information, or the environmental category on the device.

(5) Multiple Device Markings will be inside parentheses. Only one Device Marking contained in parentheses and separated by a "~" will appear on a device. If a line is indented then it is a continuation of the previous line and the two combined represent the entire Device Marking for that device.

(6) Lead finish/Ball material - Orderable Devices may have multiple material finish options. Finish options are separated by a vertical ruled line. Lead finish/Ball material values may wrap to two lines if the finish value exceeds the maximum column width.

Important Information and Disclaimer:The information provided on this page represents TI's knowledge and belief as of the date that it is provided. TI bases its knowledge and belief on information provided by third parties, and makes no representation or warranty as to the accuracy of such information. Efforts are underway to better integrate information from third parties. TI has taken and continues to take reasonable steps to provide representative and accurate information but may not have conducted destructive testing or chemical analysis on incoming materials and chemicals. TI and TI suppliers consider certain information to be proprietary, and thus CAS numbers and other limited information may not be available for release.

In no event shall TI's liability arising out of such information exceed the total purchase price of the TI part(s) at issue in this document sold by TI to Customer on an annual basis.

OTHER QUALIFIED VERSIONS OF LM706A0 :

- Automotive : [LM706A0-Q1](#)

NOTE: Qualified Version Definitions:

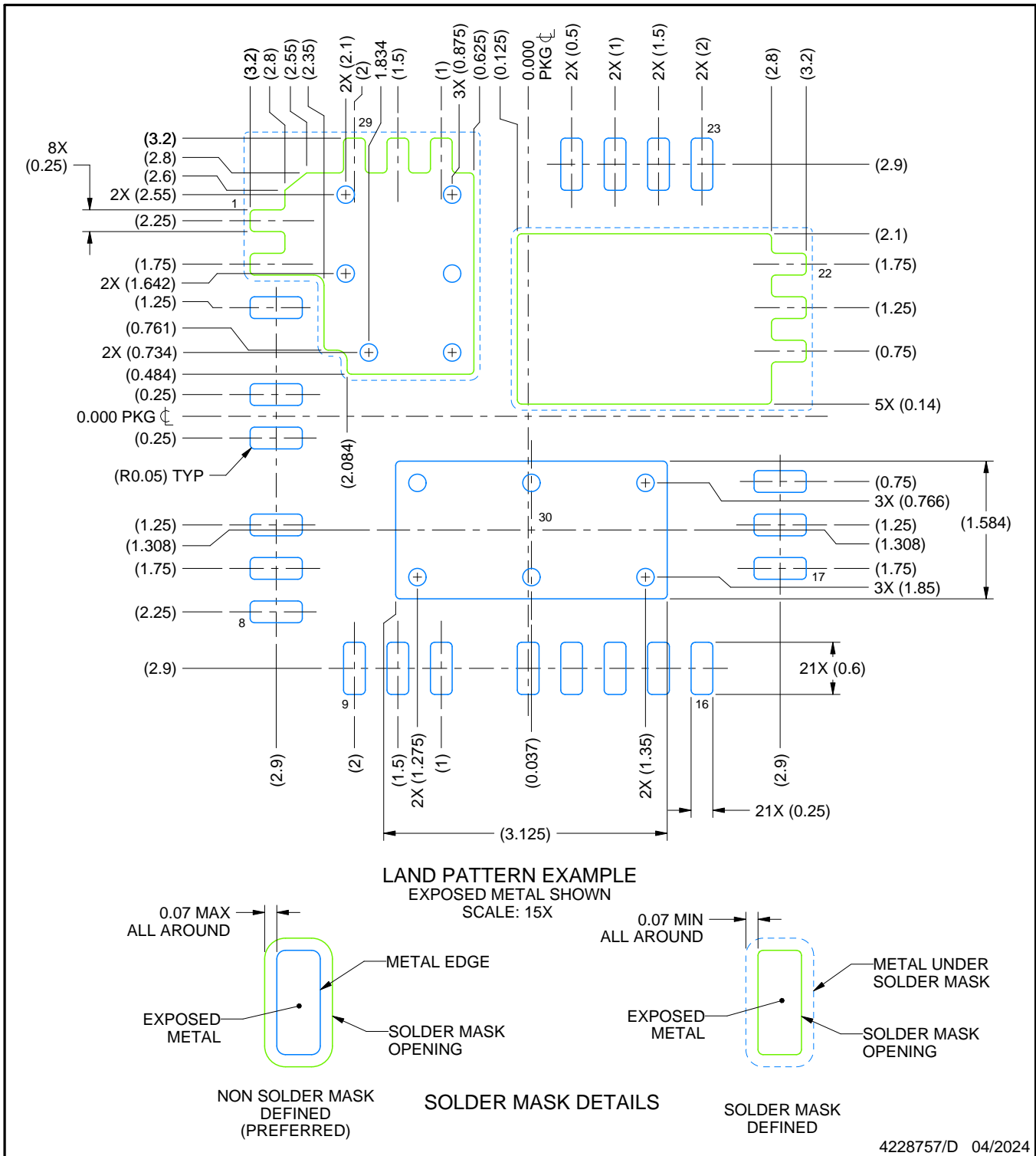
- Automotive - Q100 devices qualified for high-reliability automotive applications targeting zero defects

EXAMPLE BOARD LAYOUT

RRX0029B

VQFN - 1.0 mm max height

PLASTIC QUAD FLATPACK - NO LEAD



4228757/D 04/2024

NOTES: (continued)

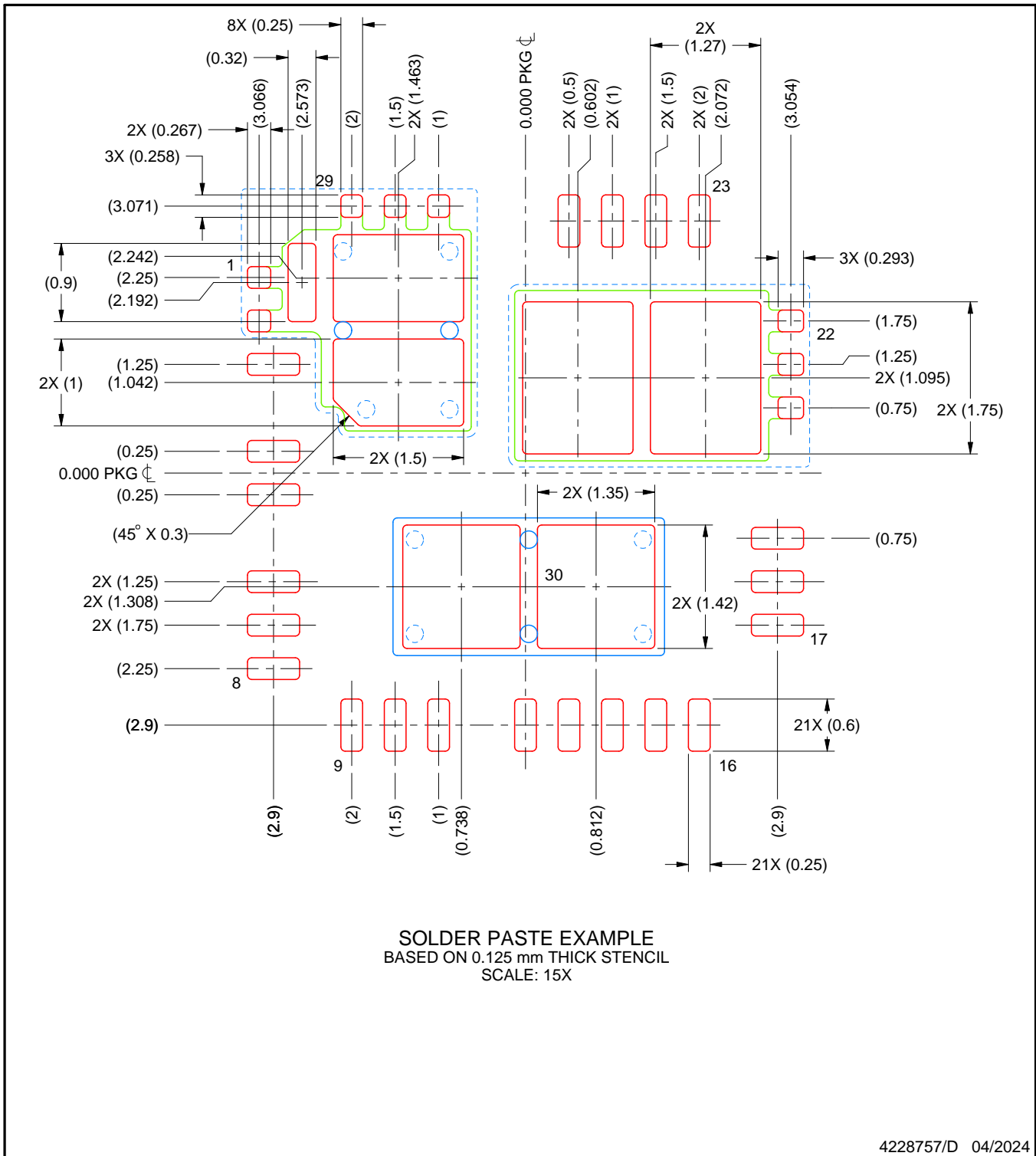
- This package is designed to be soldered to a thermal pad on the board. For more information, see Texas Instruments literature number SLUA271 (www.ti.com/lit/slua271).
- Vias are optional depending on application, refer to device data sheet. If any vias are implemented, refer to their locations shown on this view. It is recommended that vias under paste be filled, plugged or tented.

EXAMPLE STENCIL DESIGN

RRX0029B

VQFN - 1.0 mm max height

PLASTIC QUAD FLATPACK - NO LEAD



NOTES: (continued)

6. Laser cutting apertures with trapezoidal walls and rounded corners may offer better paste release. IPC-7525 may have alternate design recommendations.

IMPORTANT NOTICE AND DISCLAIMER

TI PROVIDES TECHNICAL AND RELIABILITY DATA (INCLUDING DATA SHEETS), DESIGN RESOURCES (INCLUDING REFERENCE DESIGNS), APPLICATION OR OTHER DESIGN ADVICE, WEB TOOLS, SAFETY INFORMATION, AND OTHER RESOURCES "AS IS" AND WITH ALL FAULTS, AND DISCLAIMS ALL WARRANTIES, EXPRESS AND IMPLIED, INCLUDING WITHOUT LIMITATION ANY IMPLIED WARRANTIES OF MERCHANTABILITY, FITNESS FOR A PARTICULAR PURPOSE OR NON-INFRINGEMENT OF THIRD PARTY INTELLECTUAL PROPERTY RIGHTS.

These resources are intended for skilled developers designing with TI products. You are solely responsible for (1) selecting the appropriate TI products for your application, (2) designing, validating and testing your application, and (3) ensuring your application meets applicable standards, and any other safety, security, regulatory or other requirements.

These resources are subject to change without notice. TI grants you permission to use these resources only for development of an application that uses the TI products described in the resource. Other reproduction and display of these resources is prohibited. No license is granted to any other TI intellectual property right or to any third party intellectual property right. TI disclaims responsibility for, and you will fully indemnify TI and its representatives against, any claims, damages, costs, losses, and liabilities arising out of your use of these resources.

TI's products are provided subject to [TI's Terms of Sale](#) or other applicable terms available either on [ti.com](https://www.ti.com) or provided in conjunction with such TI products. TI's provision of these resources does not expand or otherwise alter TI's applicable warranties or warranty disclaimers for TI products.

TI objects to and rejects any additional or different terms you may have proposed.

Mailing Address: Texas Instruments, Post Office Box 655303, Dallas, Texas 75265
Copyright © 2025, Texas Instruments Incorporated