

# LM5066 10 to 80 V, Hotswap Controller With I/V/P Monitoring and PMBus™ Interface

## 1 Features

- 10- to 80-V Operation
- 100-V Continuous Absolute Max
- 26 mV ( $\pm 12\%$ ) or 50 mV ( $\pm 6\%$ ) ILIM Threshold
- Programmable FET SOA Protection
- Programmable UV, OV,  $t_{FAULT}$  Thresholds
- External FET Temperature Sensing
- Failed FET Detection
- I<sup>2</sup>C / SMBus Interface
- PMBus™ Compliant Command Structure
- Precision  $V_{IN}$ ,  $V_{OUT}$ ,  $I_{IN}$ ,  $P_{IN}$ ,  $V_{AUX}$  Monitoring
  - $V$  ( $\pm 2.7\%$ );  $I$  ( $\pm 3\%$ );  $P$  ( $\pm 4.5\%$ )
- Programmable I/V/P Averaging Interval
- 12-bit ADC with 1-kHz Sampling Rate
- $-40^{\circ}\text{C} < T_J < 125^{\circ}\text{C}$  Operation
- Pin-to-Pin Compatible with LM5066I

## 2 Applications

- 48-V Servers
- Base Station Power Distribution
- Networking Routers and Switchers
- PLC Power Management
- 24- to 28-V Industrial Systems

## 3 Description

LM5066 provides robust protection and precision monitoring for 10- to 80-V systems. Programmable UV, OV,  $I_{LIMIT}$ , and fast-short circuit protection allow for customized protection for any application. Programmable FET SOA protection sets the maximum power the FET is allowed to dissipate under any condition. The programmable fault timer ( $t_{FAULT}$ ) is set to avoid nuisance trips, ensure start-up, and limit the duration of over load events.

In addition to circuit protection, the LM5066 supplies real-time power, voltage, current, temperature, and fault data to the system management host through the I<sup>2</sup>C / SMBus interface. PMBus compliant command structure makes it easy to program the device. Precision telemetry enables intelligent power management functions such as efficiency optimization and early fault detection. LM5066 also supports advanced features such as I/V/P averaging and peak power measurement to improve system diagnostics.

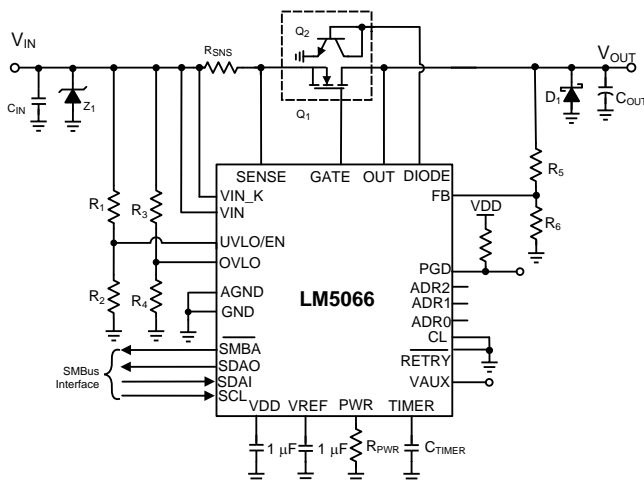
LM5066I is pin-to-pin compatible with the LM5066 and offers improved telemetry accuracy and supports the Read\_Ein command to monitor energy. See [Table 1](#) for a detailed comparison.

### Device Information<sup>(1)</sup>

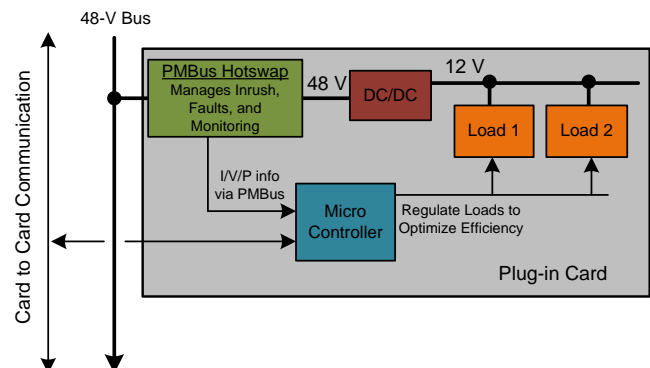
PART NUMBER	PACKAGE	BODY SIZE (NOM)
LM5066	PWP (28)	9.70 × 4.40 mm <sup>2</sup>

(1) For all available packages, see the orderable addendum at the end of the data sheet.

### Simplified Schematic



### LM5066 in a Plug-in Card



## Table of Contents

<b>1 Features</b> .....	<b>1</b>	8.1 Overview .....	<b>16</b>
<b>2 Applications</b> .....	<b>1</b>	8.2 Functional Block Diagram .....	<b>17</b>
<b>3 Description</b> .....	<b>1</b>	8.3 Feature Description .....	<b>17</b>
<b>4 Revision History</b> .....	<b>2</b>	8.4 Device Functional Modes .....	<b>20</b>
<b>5 Device Comparison Table</b> .....	<b>3</b>	8.5 Programming .....	<b>23</b>
<b>6 Pin Configuration and Functions</b> .....	<b>3</b>	<b>9 Application and Implementation</b> .....	<b>43</b>
<b>7 Specifications</b> .....	<b>5</b>	9.1 Application Information .....	<b>43</b>
7.1 Absolute Maximum Ratings .....	<b>5</b>	9.2 Typical Application .....	<b>43</b>
7.2 ESD Ratings .....	<b>5</b>	<b>10 Power Supply Recommendations</b> .....	<b>54</b>
7.3 Recommended Operating Conditions .....	<b>5</b>	<b>11 Layout</b> .....	<b>55</b>
7.4 Thermal Information .....	<b>6</b>	11.1 Layout Guidelines .....	<b>55</b>
7.5 Electrical Characteristics .....	<b>7</b>	11.2 Layout Example .....	<b>55</b>
7.6 SMBus Communications Timing Requirements and Definitions .....	<b>10</b>	<b>12 Device and Documentation Support</b> .....	<b>57</b>
7.7 Switching Characteristics .....	<b>11</b>	12.1 Trademarks .....	<b>57</b>
7.8 Typical Performance Characteristics .....	<b>12</b>	12.2 Electrostatic Discharge Caution .....	<b>57</b>
<b>8 Detailed Description</b> .....	<b>16</b>	12.3 Glossary .....	<b>57</b>
		<b>13 Mechanical, Packaging, and Orderable Information</b> .....	<b>57</b>

## 4 Revision History

NOTE: Page numbers for previous revisions may differ from page numbers in the current version.

<b>Changes from Revision H (July 2014) to Revision I</b>	<b>Page</b>
• Changed $V_{GATEZ}$ MIN value in <a href="#">Electrical Characteristics</a> From: 15 V To: 12 V .....	<b>7</b>

<b>Changes from Revision G (February 2013) to Revision H</b>	<b>Page</b>
• Updated data sheet to new TI standards: added new sections and reordered document flow .....	<b>1</b>
• Added link to LM5066 design calculator .....	<b>43</b>

<b>Changes from Revision F (February 2013) to Revision G</b>	<b>Page</b>
• Changed layout of National Data Sheet to TI format .....	<b>1</b>

<b>Changes from Revision A (May 2014) to Revision B</b>	<b>Page</b>
• Changed title of Handling Ratings table to ESD Ratings table .....	<b>5</b>

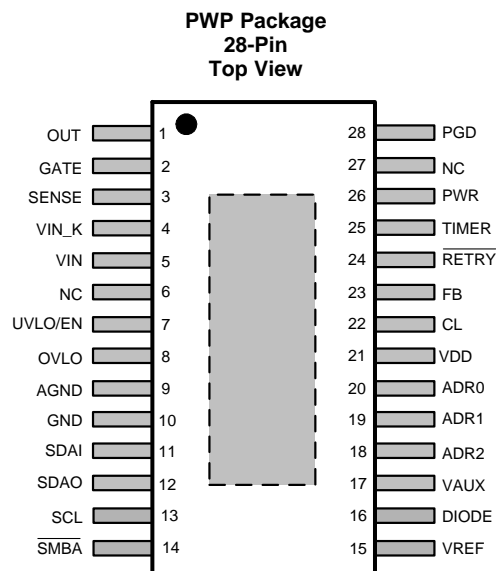
## 5 Device Comparison Table

Table 1 summarizes the differences between the LM5066 and the LM5066I. Note that the current monitoring accuracy of the LM5066I is much better at the ILIM = 26 mV setting, but is comparable at the 50-mV setting. For many applications with lower power, using the LM5066 at the 50-mV setting is a great option. However, for higher power applications upgrading to LM5066I and using the ILIM = 26 mV setting will lead to significant power savings (approximately  $24 \text{ mV} \times I_{\text{LOAD}}$ ). In addition, the higher accuracy and energy monitoring capability can enable further improvements in system efficiency, which is critical in high power applications.

Table 1. LM5066 vs LM5066I

KEY PARAMETERS	LM5066	LM5066I
Voltage monitoring	±2.7%	±1.25%
Current monitoring (ILIM = 26 mV)	±4.25%	±1.75%
Power monitoring (ILIM = 26 mV)	±4.5%	±2.5%
Current monitoring (ILIM = 50 mV)	±3%	±3.5%
Power monitoring (ILIM = 50 mV)	±4.5%	±4.5%
Supports Energy Monitoring via Read_EIN command	No	Yes

## 6 Pin Configuration and Functions



Solder exposed pad to ground.

### Pin Functions

PIN		DESCRIPTION
NAME	NO.	
Exposed Pad	Pad	Exposed pad of TSSOP package Solder to the ground plane to reduce thermal resistance
OUT	1	Output feedback Connect to the output rail (external MOSFET source). Internally used to determine the MOSFET $V_{\text{DS}}$ voltage for power limiting and to monitor the output voltage.
GATE	2	Gate drive output Connect to the external MOSFET's gate.
SENSE	3	Current sense input The voltage across the current sense resistor ( $R_{\text{SNS}}$ ) is measured from VIN_K to this pin. If the voltage across $R_{\text{SNS}}$ reaches overcurrent threshold the load current is limited and the fault timer activates.

**Pin Functions (continued)**

PIN		DESCRIPTION
NAME	NO.	
VIN_K	4	Positive supply Kelvin pin The input voltage is measured on this pin.
VIN	5	Positive supply input This pin is the input supply connection for the device.
N/C	6	No connection
UVLO/EN	7	Undervoltage lockout An external resistor divider from the system input voltage sets the undervoltage turn-on threshold. An internal 20- $\mu$ A current source provides hysteresis. The enable threshold at the pin is nominally 2.48 V. This pin can also be used for remote shutdown control.
OVLO	8	Overvoltage lockout An external resistor divider from the system input voltage sets the overvoltage turn-off threshold. An internal 21- $\mu$ A current source provides hysteresis. The disable threshold at the pin is 2.46 V.
AGND	9	Circuit ground Analog device ground. Connect to GND at the pin.
GND	10	Circuit ground
SDAI	11	SMBus data input pin Data input pin for SMBus. Connect to SDAO if the application does not require unidirectional isolation devices.
SDAO	12	SMBus data output pin Data output pin for SMBus. Connect to SDAI if the application does not require unidirectional isolation devices.
SCL	13	SMBus clock Clock pin for SMBus
$\overline{\text{SMBA}}$	14	SMBus alert line Alert pin for SMBus, active low
VREF	15	Internal reference Internally generated precision reference used for analog-to-digital conversion. Connect a 1- $\mu$ F capacitor on this pin to ground for bypassing.
DIODE	16	External diode Connect this to a diode-configured MMBT3904 NPN transistor for temperature monitoring.
VAUX	17	Auxiliary voltage input Auxiliary pin allows voltage telemetry from an external source. Full-scale input of 2.97 V.
ADR2	18	SMBUS address line 2 Tri-state address line. Should be connected to GND, VDD, or left floating.
ADR1	19	SMBUS address line 1 Tri-state address line. Should be connected to GND, VDD, or left floating.
ADR0	20	SMBUS address line 0 Tri-state address line. Should be connected to GND, VDD, or left floating.
VDD	21	Internal sub-regulator output Internally sub-regulated 4.85-V bias supply. Connect a 1- $\mu$ F capacitor on this pin to ground for bypassing.
CL	22	Current limit range Connect this pin to GND or leave floating to set the nominal over-current threshold at 50 mV. Connecting CL to VDD sets the overcurrent threshold to be 26 mV.
FB	23	Power Good feedback An external resistor divider from the output sets the output voltage at which the PGD pin switches. The threshold at the pin is nominally 2.46 V. An internal 20- $\mu$ A current source provides hysteresis.
$\overline{\text{RETRY}}$	24	Fault retry input This pin configures the power up fault retry behavior. When this pin is connected to GND or left floating, the device will continually try to engage power during a fault. If the pin is connected to VDD, the device will latch off during a fault.
TIMER	25	Timing capacitor An external capacitor connected to this pin sets insertion time delay, fault timeout period, and restart timing.
PWR	26	Power limit set An external resistor connected to this pin, in conjunction with the current sense resistor ( $R_{\text{SNS}}$ ), sets the maximum power dissipation allowed in the external series pass MOSFET.
N/C	27	No connection

### Pin Functions (continued)

PIN		DESCRIPTION
NAME	NO.	
PGD	28	Power Good indicator An open-drain output. This output is high when the voltage at the FB pin is above $V_{FBTH}$ (nominally 2.46 V) and the input supply is within its undervoltage and overvoltage thresholds. Connect to the output rail (external MOSFET source) or any other voltage to be monitored.

## 7 Specifications

### 7.1 Absolute Maximum Ratings <sup>(1)</sup>

over operating free-air temperature (unless otherwise noted)

		MIN	MAX	UNIT
Input voltage	VIN, VIN_K, GATE, UVLO/EN, SENSE, PGD to GND	-0.3	100	V
	OVLO, FB, TIMER, PWR to GND	-0.3	7	
	OUT to GND	-0.3	100	
	OUT to GND (1-ms transient)	-1	100	
	SCL, SDAI, SDAO, CL, ADR0, ADR1, ADR2, VDD, VAUX, DIODE, $\overline{RETRY}$ to GND	-0.3	6	
	SENSE to VIN_K, VIN to VIN_K, AGND to GND	-0.3	0.3	
Junction temperature			150	°C
Storage temperature, $T_{stg}$		-65	150	°C

- (1) Stresses beyond those listed under *absolute maximum ratings* may cause permanent damage to the device. These are stress ratings only and functional operation of the device at these or any conditions beyond those indicated under recommended operating conditions is not implied. Exposure to absolute-maximum-rated conditions for extended periods may affect device reliability.

### 7.2 ESD Ratings

		VALUE	UNIT	
$V_{ESD}$ <sup>(1)</sup>	Electrostatic discharge	Human body model (HBM), per ANSI/ESDA/JEDEC JS-001, all pins except GATE <sup>(2)</sup>	±2000	V
		Charged device model (CDM), per JEDEC specification JESD22-C101, all pins <sup>(3)</sup>	±500	V

- (1) The human body model is a 100-pF capacitor discharged through a 1.5-k $\Omega$  resistor into each pin. 2-kV rating for all pins except GATE which is rated for 1 kV.  
(2) JEDEC document JEP155 states that 500-V HBM allows safe manufacturing with a standard ESD control process.  
(3) JEDEC document JEP157 states that 250-V CDM allows safe manufacturing with a standard ESD control process.

### 7.3 Recommended Operating Conditions

over operating free-air temperature range (unless otherwise noted)

	MIN	NOM	MAX	UNIT
VIN, SENSE, OUT voltage	10		80	V
Junction temperature	-40		125	°C

## 7.4 Thermal Information

THERMAL METRIC <sup>(1)</sup>		LM5066	UNIT
		PWP	
		28 PINS	
$R_{\theta JA}$	Junction-to-ambient thermal resistance <sup>(2)</sup>	35.6	°C/W
$R_{\theta JC(top)}$	Junction-to-case (top) thermal resistance <sup>(3)</sup>	19.9	
$R_{\theta JB}$	Junction-to-board thermal resistance <sup>(4)</sup>	16.8	
$\psi_{JT}$	Junction-to-top characterization parameter <sup>(5)</sup>	0.5	
$\psi_{JB}$	Junction-to-board characterization parameter <sup>(6)</sup>	16.7	
$R_{\theta JC(bot)}$	Junction-to-case (bottom) thermal resistance <sup>(7)</sup>	2.9	

- (1) For more information about traditional and new thermal metrics, see the *Semiconductor and IC Package Thermal Metrics* application report ([SPRA953](#)).
- (2) The junction-to-ambient thermal resistance under natural convection is obtained in a simulation on a JEDEC-standard, high-K board, as specified in JESD51-7, in an environment described in JESD51-2a.
- (3) The junction-to-case (top) thermal resistance is obtained by simulating a cold plate test on the package top. No specific JEDEC-standard test exists, but a close description can be found in the ANSI SEMI standard G30-88.
- (4) The junction-to-board thermal resistance is obtained by simulating in an environment with a ring cold plate fixture to control the PCB temperature, as described in JESD51-8.
- (5) The junction-to-top characterization parameter,  $\psi_{JT}$ , estimates the junction temperature of a device in a real system and is extracted from the simulation data for obtaining  $R_{\theta JA}$ , using a procedure described in JESD51-2a (sections 6 and 7).
- (6) The junction-to-board characterization parameter,  $\psi_{JB}$ , estimates the junction temperature of a device in a real system and is extracted from the simulation data for obtaining  $R_{\theta JA}$ , using a procedure described in JESD51-2a (sections 6 and 7).
- (7) The junction-to-case (bottom) thermal resistance is obtained by simulating a cold plate test on the exposed (power) pad. No specific JEDEC standard test exists, but a close description can be found in the ANSI SEMI standard G30-88.

## 7.5 Electrical Characteristics

Limits in standard type are for  $T_J = 25^\circ\text{C}$  only; limits in boldface type apply over the junction temperature ( $T_J$ ) range of  $-40^\circ\text{C}$  to  $+125^\circ\text{C}$  unless otherwise stated. Minimum and maximum limits are ensured through test, design, or statistical correlation. Typical values represent the most likely parametric norm at  $T_J = 25^\circ\text{C}$ , and are provided for reference purposes only. Unless otherwise stated the following conditions apply:  $V_{IN} = 48\text{ V}$ . See <sup>(1)</sup> and <sup>(2)</sup>.

PARAMETER		TEST CONDITIONS	MIN	TYP	MAX	UNIT
<b>INPUT (VIN PIN)</b>						
$I_{IN-EN}$	Input current, enabled	$V_{UVLO} = 3\text{ V}$ and $V_{OVLO} = 2\text{ V}$		7.2	<b>9.5</b>	mA
$POR_{IT}$	Power-on reset threshold at VIN to trigger insertion timer	VIN increasing		7.8	<b>9.0</b>	V
$POR_{EN}$	Power-on reset threshold at VIN to enable all functions	VIN increasing		8.6	<b>9.9</b>	V
$POR_{HYS}$	$POR_{EN}$ hysteresis	VIN decreasing		120		mV
<b>V<sub>DD</sub> REGULATOR (VDD PIN)</b>						
$V_{DD}$		$I_{VDD} = 0\text{ mA}$	<b>4.60</b>	4.90	<b>5.15</b>	V
		$I_{VDD} = 10\text{ mA}$		4.85		V
$V_{DDILIM}$	VDD current limit		<b>-25</b>	-30	<b>-42</b>	mA
$V_{DDPOR}$	VDD voltage reset threshold	$V_{DD}$ rising		4.1		V
<b>UVLO/EN, OVLO PINS</b>						
$UVLO_{TH}$	UVLO threshold	$V_{UVLO}$ falling	<b>2.41</b>	2.48	<b>2.55</b>	V
$UVLO_{HYS}$	UVLO hysteresis current	UVLO = 1 V	<b>13</b>	20	<b>26</b>	$\mu\text{A}$
$UVLO_{BIAS}$	UVLO bias current	UVLO = 3 V			<b>1</b>	$\mu\text{A}$
$OVLO_{TH}$	OVLO threshold	$V_{OVLO}$ rising	<b>2.39</b>	2.46	<b>2.53</b>	V
$OVLO_{HYS}$	OVLO hysteresis current	OVLO = 1 V	<b>-26</b>	-21	<b>-13</b>	$\mu\text{A}$
$OVLO_{BIAS}$	OVLO bias current	OVLO = 1 V			<b>1</b>	$\mu\text{A}$
<b>POWER GOOD (PGD PIN)</b>						
$PGD_{VOL}$	Output low voltage	$I_{SINK} = 2\text{ mA}$		60	<b>110</b>	mV
$PGD_{IOH}$	Off leakage current	$V_{PGD} = 80\text{ V}$			<b>1</b>	$\mu\text{A}$
<b>FB PIN</b>						
$FB_{TH}$	FB threshold	$V_{UVLO} = 3\text{ V}$ and $V_{OVLO} = 2\text{ V}$	<b>2.41</b>	2.46	<b>2.52</b>	V
$FB_{HYS}$	FB hysteresis current		<b>-25</b>	-20	<b>-15</b>	$\mu\text{A}$
$FB_{LEAK}$	Off leakage current	$V_{FB} = 2.3\text{ V}$			<b>1</b>	$\mu\text{A}$
<b>POWER LIMIT (PWR PIN)</b>						
$PWR_{LIM}$	Power limit sense voltage (VIN-SENSE)	SENSE-OUT = 48 V, $R_{PWR} = 121\text{ k}\Omega$	<b>16.5</b>	19.5	<b>22.5</b>	mV
		SENSE-OUT = 24 V, $R_{PWR} = 75\text{ k}\Omega$		23		mV
$I_{PWR}$	PWR pin current	$V_{PWR} = 2.5\text{ V}$		-20		$\mu\text{A}$
$R_{SAT(PWR)}$	PWR pin impedance when disabled	UVLO = 2 V		135		$\Omega$
<b>GATE CONTROL (GATE PIN)</b>						
$I_{GATE}$	Source current	Normal Operation	<b>-26</b>	-20	<b>-10</b>	$\mu\text{A}$
	Fault sink current	UVLO = 2 V	<b>3.4</b>	4.2	<b>5.3</b>	mA
	POR circuit breaker sink current	VIN – SENSE = 150 mV or VIN < $POR_{IT}$ , $V_{GATE} = 5\text{ V}$	<b>50</b>	115	<b>180</b>	mA
$V_{GATEZ}$	Reverse-bias voltage of GATE to OUT zener diode	GATE – OUT	<b>12</b>	16.5	<b>18</b>	V
$V_{GATECP}$	Peak charge pump voltage in normal operation ( $V_{IN} = V_{OUT}$ )	GATE – OUT		13.6		V

(1) Current out of a pin is indicated as a negative value.

(2) All electrical characteristics having room temperature limits are tested during production at  $T_A = 25^\circ\text{C}$ . All hot and cold limits are specified by correlating the electrical characteristics to process and temperature variations and applying statistical process control.

## Electrical Characteristics (continued)

Limits in standard type are for  $T_J = 25^\circ\text{C}$  only; limits in boldface type apply over the junction temperature ( $T_J$ ) range of  $-40^\circ\text{C}$  to  $+125^\circ\text{C}$  unless otherwise stated. Minimum and maximum limits are ensured through test, design, or statistical correlation. Typical values represent the most likely parametric norm at  $T_J = 25^\circ\text{C}$ , and are provided for reference purposes only. Unless otherwise stated the following conditions apply:  $V_{IN} = 48\text{ V}$ . See <sup>(1)</sup> and <sup>(2)</sup>.

PARAMETER		TEST CONDITIONS	MIN	TYP	MAX	UNIT
<b>OUT PIN</b>						
$I_{OUT-EN}$	OUT bias current, enabled	OUT = VIN, Normal operation		78		$\mu\text{A}$
$I_{OUT-DIS}$	OUT bias current, disabled <sup>(3)</sup>	Disabled, OUT = 0 V, SENSE = VIN		-50		$\mu\text{A}$
<b>CURRENT LIMIT</b>						
$V_{CL}$	Current limit threshold voltage ( $V_{IN} - V_{SENSE}$ )	CL = VDD	<b>23</b>	26	<b>29</b>	mV
		CL = GND	<b>47</b>	50	<b>53</b>	
$I_{SENSE}$	SENSE input current	Enabled, SENSE = OUT		25		$\mu\text{A}$
		Disabled, OUT = 0 V		66		
		Enabled, OUT = 0 V		220		
<b>CIRCUIT BREAKER</b>						
$R_{TCB}$	Circuit breaker to current limit ratio: ( $V_{IN} - V_{SENSE}$ ) <sub>CB</sub> / $V_{CL}$	CB/CL ratio bit = 0, ILim = 50 mV	<b>1.64</b>	1.94	<b>2.23</b>	V/V
		CB/CL ratio bit = 1, ILim = 50 mV	<b>3.28</b>	3.87	<b>4.45</b>	
		CB/CL ratio bit = 0, ILim = 26 mV		1.88		
		CB/CL ratio bit = 1, ILim = 26 mV		3.75		
$V_{CB}$	Circuit breaker threshold voltage: ( $V_{IN} - V_{SENSE}$ )	CB/CL ratio bit = 0, ILim = 50 mV	<b>80</b>	96	<b>110</b>	mV
		CB/CL ratio bit = 1, ILim = 50 mV	<b>164</b>	193	<b>222</b>	
		CB/CL ratio bit = 0, ILim = 26 mV	<b>39</b>	48	<b>57</b>	
		CB/CL ratio bit = 1, ILim = 26 mV	<b>79</b>	96	<b>113</b>	
<b>TIMER (TIMER PIN)</b>						
$V_{TMRH}$	Upper threshold		<b>3.74</b>	3.9	<b>4.07</b>	V
$V_{TMRL}$	Lower threshold	Restart cycles	<b>0.98</b>	1.1	<b>1.24</b>	V
		End of eighth cycle		0.3		V
		Re-enable threshold		0.3		V
$I_{TIMER}$	Insertion time current	TIMER pin = 2 V	<b>-5.9</b>	-4.8	<b>-3.3</b>	$\mu\text{A}$
	Sink current, end of insertion time		<b>1.0</b>	1.5	<b>2.0</b>	mA
	Fault detection current		<b>-95</b>	-75	<b>-50</b>	$\mu\text{A}$
	Fault sink current		<b>1.7</b>	2.5	<b>3.2</b>	$\mu\text{A}$
$DC_{FAULT}$	Fault restart duty cycle			0.5		%
<b>INTERNAL REFERENCE</b>						
$V_{REF}$	Reference voltage		<b>2.93</b>	2.97	<b>3.02</b>	V
<b>ADC AND MUX</b>						
	Resolution			12		Bits
INL	Integral non-linearity	ADC only		$\pm 4$		LSB
$t_{ACQUIRE}$	Acquisition + Conversion time	Any channel		100		$\mu\text{s}$
$t_{RR}$	Acquisition round robin time	Cycle all channels		1		ms

(3) OUT bias current (disabled) due to leakage current through an internal  $1\text{ M}\Omega$  resistance from SENSE to VOUT.



## Electrical Characteristics (continued)

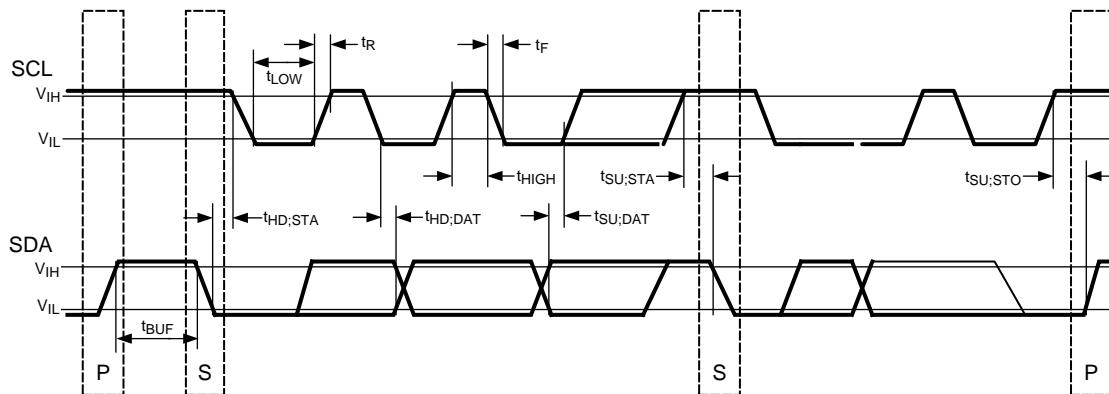
Limits in standard type are for  $T_J = 25^\circ\text{C}$  only; limits in boldface type apply over the junction temperature ( $T_J$ ) range of  $-40^\circ\text{C}$  to  $+125^\circ\text{C}$  unless otherwise stated. Minimum and maximum limits are ensured through test, design, or statistical correlation. Typical values represent the most likely parametric norm at  $T_J = 25^\circ\text{C}$ , and are provided for reference purposes only. Unless otherwise stated the following conditions apply:  $V_{IN} = 48\text{ V}$ . See <sup>(1)</sup> and <sup>(2)</sup>.

PARAMETER		TEST CONDITIONS	MIN	TYP	MAX	UNIT
<b>TELEMETRY ACCURACY</b>						
$I_{INFSR}$	Current input full-scale range	CL = GND		75.8		mV
		CL = VDD		38.2		mV
$I_{INLSB}$	Current input LSB	CL = GND		18.5		$\mu\text{V}$
		CL = VDD		9.3		$\mu\text{V}$
$V_{AUXFSR}$	VAUX input full-scale range			2.97		V
$V_{AUXLSB}$	VAUX input LSB			725		$\mu\text{V}$
$V_{INFSR}$	Input voltage full-scale range			89.3		V
$V_{INLSB}$	Input voltage LSB			21.8		mV
$I_{INACC}$	Input current accuracy	$V_{IN} - \text{SENSE} = 50\text{ mV}$ , CL = GND	<b>-3.0</b>		<b>+3.0</b>	%
		$V_{IN} - \text{SENSE} = 25\text{ mV}$ , CL = VDD	-4.25		4.25	%
$V_{ACC}$	VAUX, $V_{IN}$ , $V_{OUT}$	$V_{IN}$ , $V_{OUT} = 48\text{ V}$ $V_{AUX} = 2.8\text{ V}$	<b>-2.7</b>		<b>+2.7</b>	%
$P_{INACC}$	Input power accuracy	$V_{IN} = 48\text{ V}$ , $V_{IN} - \text{SENSE} = 50\text{ mV}$ , CL = VDD	<b>-4.5</b>		<b>+4.5</b>	%
<b>REMOTE DIODE TEMPERATURE SENSOR</b>						
$T_{ACC}$	Temperature accuracy using local diode	$T_A = 25^\circ\text{C}$ to $85^\circ\text{C}$		2	<b>10</b>	$^\circ\text{C}$
	Remote diode resolution			9		bits
$I_{DIODE}$	External diode current source	High level		250	<b>325</b>	$\mu\text{A}$
		Low level		9.4		$\mu\text{A}$
	Diode current ratio			25.9		
<b>PMBus PIN THRESHOLDS (<math>\overline{\text{SMBA}}</math>, <math>\overline{\text{SDA}}</math>, <math>\overline{\text{SCL}}</math>)</b>						
$V_{IL}$	Data, clock input low voltage				<b>0.9</b>	V
$V_{IH}$	Data, clock input high voltage		<b>2.1</b>		<b>5.5</b>	V
$V_{OL}$	Data output low voltage	$I_{\text{SINK}} = 3\text{ mA}$	<b>0</b>		<b>0.4</b>	V
$I_{LEAK}$	Input leakage current	$\overline{\text{SDA}}$ , $\overline{\text{SMBA}}$ , $\overline{\text{SCL}} = 5\text{ V}$			<b>1</b>	$\mu\text{A}$
<b>CONFIGURATION PIN THRESHOLDS (<math>\overline{\text{CL}}</math>, <math>\overline{\text{RETRY}}</math>)</b>						
$V_{IH}$	Threshold voltage		<b>3</b>			V
$I_{LEAK}$	Input leakage current	$\overline{\text{CL}}$ , $\overline{\text{RETRY}} = 5\text{ V}$		5		$\mu\text{A}$

## 7.6 SMBus Communications Timing Requirements and Definitions

PARAMETER		MIN	MAX	UNIT
$f_{SMB}$	SMBus operating frequency	10	400	kHz
$t_{BUF}$	Bus free time between stop and start condition	1.3		$\mu$ s
$t_{HD:STA}$	Hold time after (repeated) start condition. After this period, the first clock is generated.	0.6		$\mu$ s
$t_{SU:STA}$	Repeated start condition setup time	0.6		$\mu$ s
$t_{SU:STO}$	Stop condition setup time	0.6		$\mu$ s
$t_{HD:DAT}$	Data hold time	85		ns
$t_{SU:DAT}$	Data setup time	100		ns
$t_{TIMEOUT}$	Clock low time-out <sup>(1)</sup>	25	35	ms
$t_{LOW}$	Clock low period	1.5		$\mu$ s
$t_{HIGH}$	Clock high period <sup>(2)</sup>	0.6		$\mu$ s
$t_{LOW:SEXT}$	Cumulative clock low extend time (slave device) <sup>(3)</sup>		25	ms
$t_{LOW:MEXT}$	Cumulative low extend time (master device) <sup>(4)</sup>		10	ms
$t_F$	Clock or data fall time <sup>(5)</sup>	20	300	ns
$t_R$	Clock or data rise time <sup>(5)</sup>	20	300	ns

- (1) Devices participating in a transfer will timeout when any clock low exceeds the value of  $t_{TIMEOUT,MIN}$  of 25 ms. Devices that have detected a timeout condition must reset the communication no later than  $t_{TIMEOUT,MAX}$  of 35 ms. The maximum value must be adhered to by both a master and a slave as it incorporates the cumulative stretch limit for both a master (10 ms) and a slave (25 ms).
- (2)  $t_{HIGH,MAX}$  provides a simple method for devices to detect bus idle conditions.
- (3)  $t_{LOW:SEXT}$  is the cumulative time a slave device is allowed to extend the clock cycles in one message from the initial start to the stop. If a slave exceeds this time, it is expected to release both its clock and data lines and reset itself.
- (4)  $t_{LOW:MEXT}$  is the cumulative time a master device is allowed to extend its clock cycles within each byte of a message as defined from start-to-ack, ack-to-ack, or ack-to-stop.
- (5) Rise and fall time is defined as follows:  $t_R = (V_{IL,MAX} - 0.15)$  to  $(V_{IH,MIN} + 0.15)$ ;  $t_F = 0.9 V_{DD}$  to  $(V_{IL,MAX} - 0.15)$



**Figure 1. SMBus Timing Diagram**

## 7.7 Switching Characteristics

Unless otherwise stated, the following conditions apply:  $V_{VIN} = 48\text{ V}$ ,  $-40^{\circ}\text{C} < T_J < 125^{\circ}\text{C}$ ,  $V_{UVLO} = 3\text{ V}$ ,  $V_{OVLO} = 0\text{ V}$ ,  $R_{PWR} = 20\text{ k}\Omega$ .

PARAMETER		CONDITIONS	MIN	TYP	MAX	UNIT
<b>UVLO/EN, OVLO PINS</b>						
UVLO <sub>DEL</sub>	UVLO delay	Delay to GATE high		9		μs
		Delay to GATE low		13		
OVLO <sub>DEL</sub>	OVLO delay	Delay to GATE high		13		μs
		Delay to GATE low		10		
<b>FB PIN</b>						
FB <sub>DEL</sub>	FB Delay	Delay to PGD high		7.6		μs
		Delay to PGD low		9.2		
<b>CURRENT LIMIT</b>						
t <sub>CL</sub>	Response time	VIN-SENSE stepped from 0 to 80 mV; CL = GND		45		μs
<b>CIRCUIT BREAKER</b>						
t <sub>CB</sub>	Response time	VIN-SENSE stepped from 0 to 150 mV, time to GATE low, no load		0.42	0.83	μs
<b>TIMER (TIMER PIN)</b>						
t <sub>FAULT_DELAY</sub>	Fault to GATE low delay	TIMER pin reaches the upper threshold		12		μs

## 7.8 Typical Performance Characteristics

Unless otherwise specified the following conditions apply:  $T_J = 25^\circ\text{C}$ ,  $V_{IN} = 48\text{ V}$ . All graphs show junction temperature.

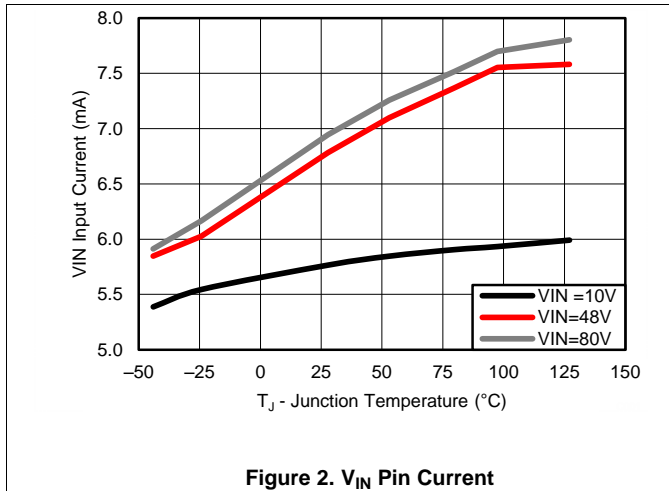


Figure 2.  $V_{IN}$  Pin Current

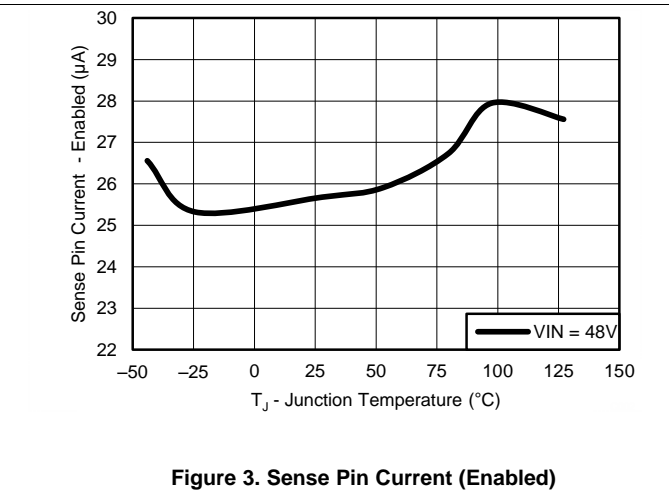


Figure 3. Sense Pin Current (Enabled)

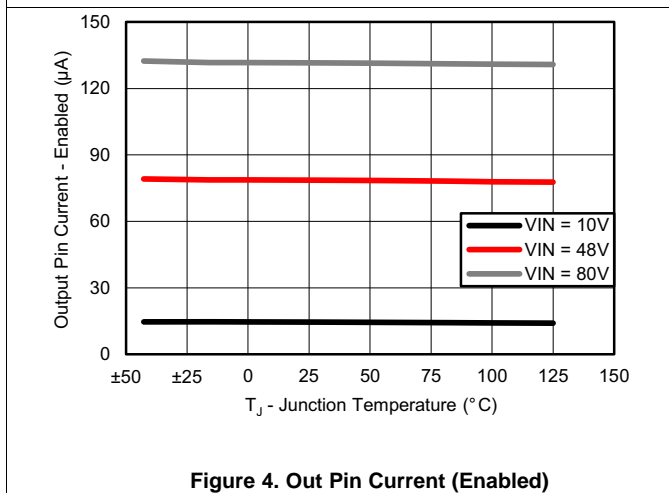


Figure 4. Out Pin Current (Enabled)

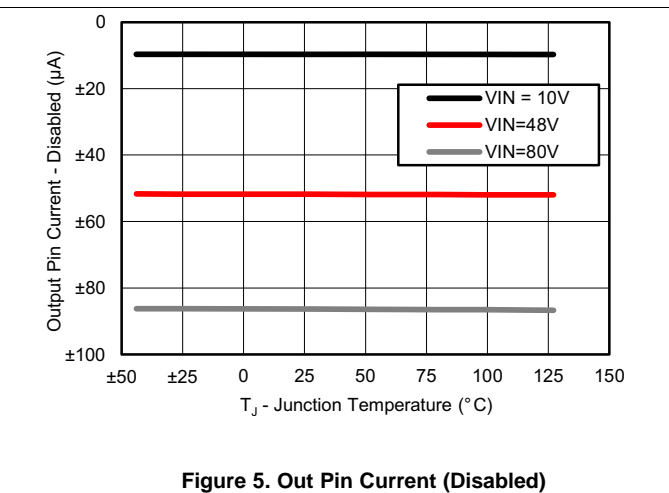


Figure 5. Out Pin Current (Disabled)

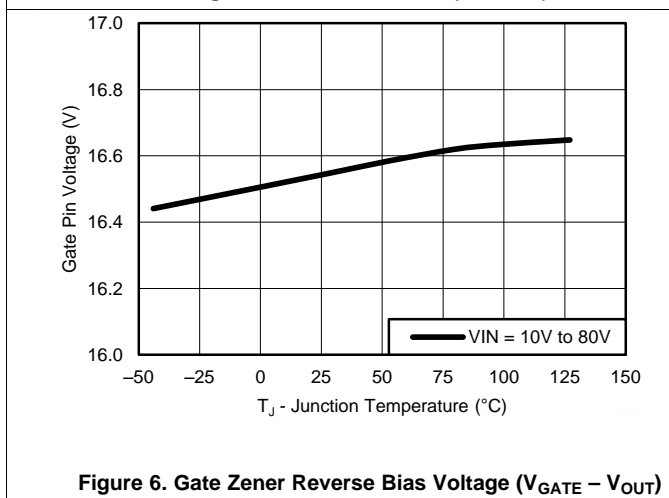


Figure 6. Gate Zener Reverse Bias Voltage ( $V_{GATE} - V_{OUT}$ )

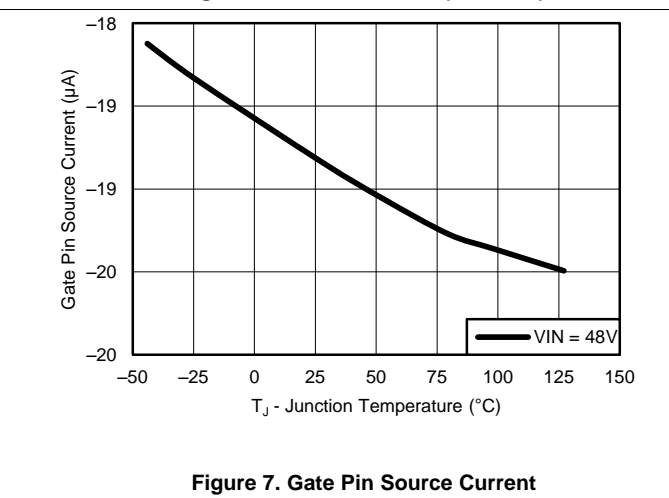


Figure 7. Gate Pin Source Current

Typical Performance Characteristics (continued)

Unless otherwise specified the following conditions apply:  $T_J = 25^\circ\text{C}$ ,  $V_{IN} = 48\text{ V}$ . All graphs show junction temperature.

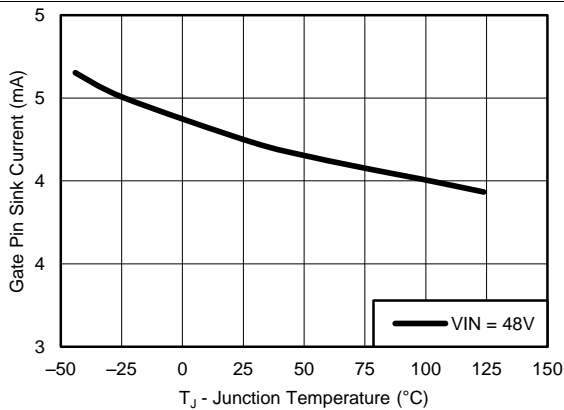


Figure 8. Gate Pin Sink Current

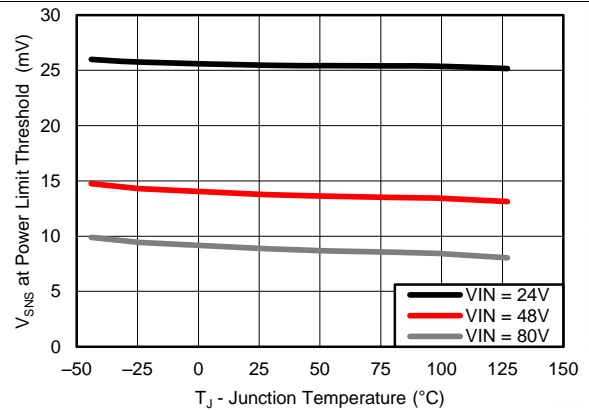


Figure 9.  $V_{SNS}$  At Power Limit Threshold  $R_{PWR} = 75\text{ k}\Omega$

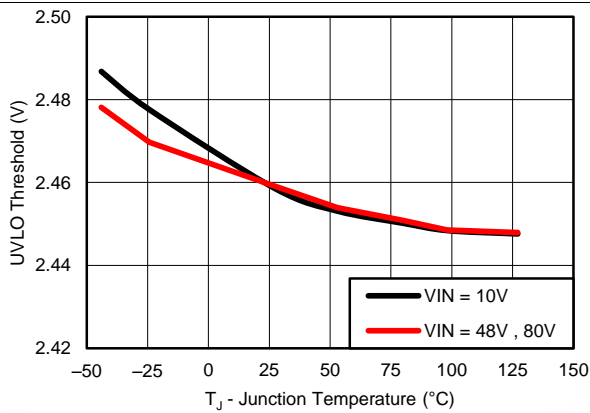


Figure 10. UVLO Threshold

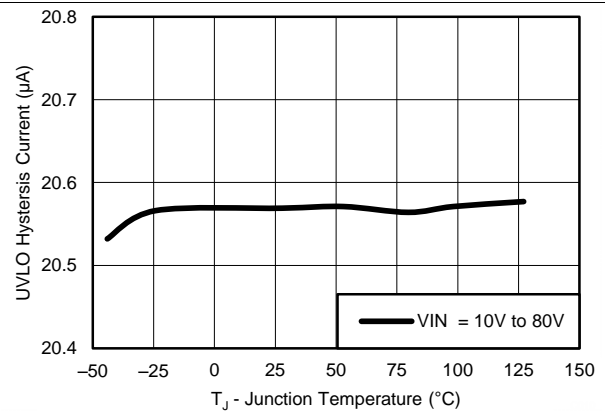


Figure 11. UVLO Hysteresis Current

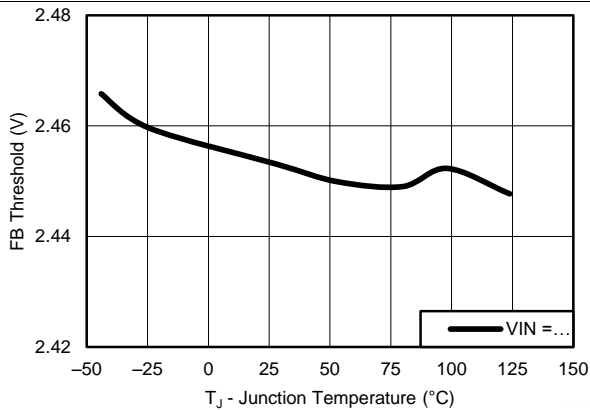


Figure 12. FB Threshold

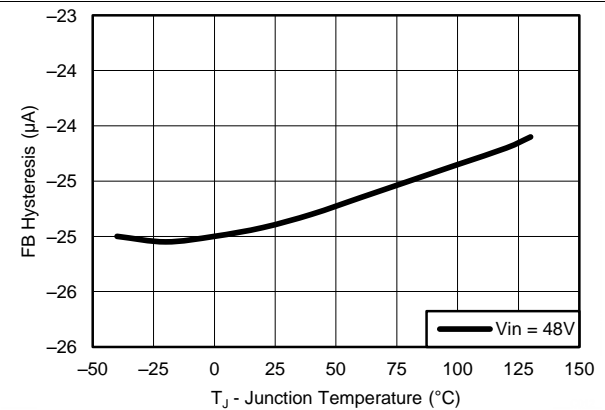


Figure 13. FB Hysteresis Current

Typical Performance Characteristics (continued)

Unless otherwise specified the following conditions apply:  $T_J = 25^\circ\text{C}$ ,  $V_{IN} = 48\text{ V}$ . All graphs show junction temperature.

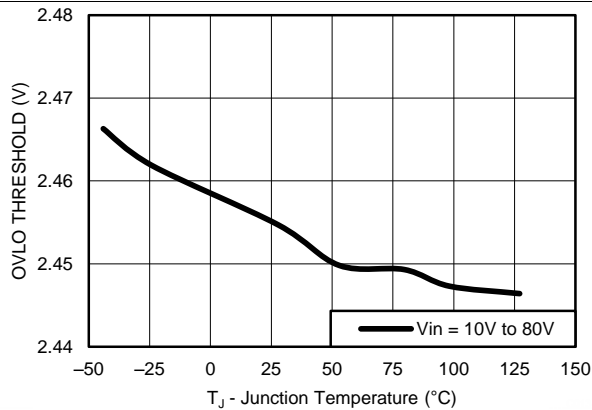


Figure 14. OVLO Threshold

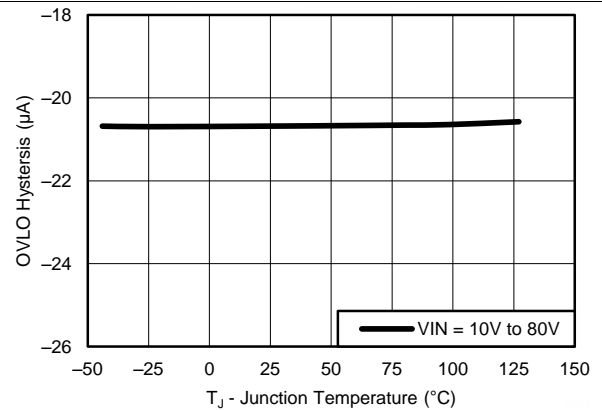


Figure 15. OVLO Hysteresis Current

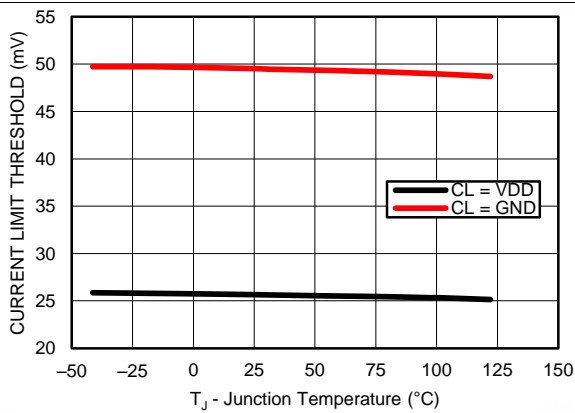


Figure 16. Current Limit Threshold

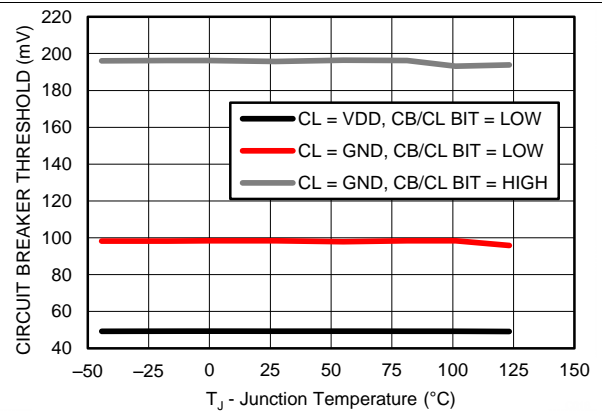


Figure 17. Circuit Breaker Threshold

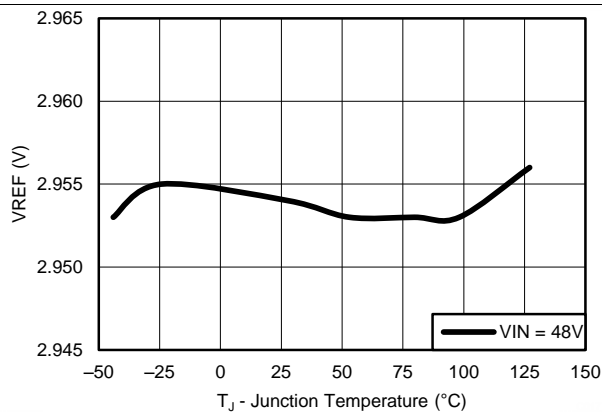


Figure 18. Reference Voltage

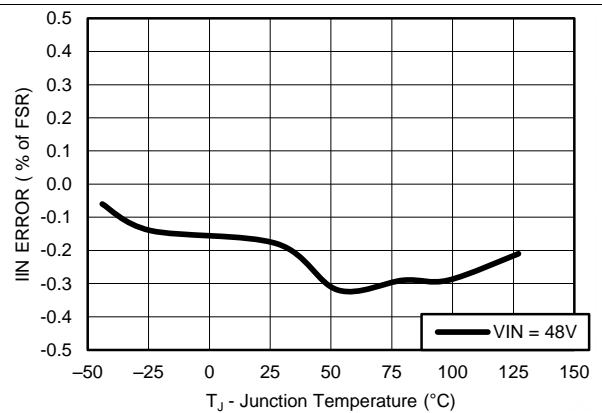


Figure 19. IIN Measurement Accuracy  
( $V_{IN} - \text{Sense} = 50\text{ mV}$ )

### Typical Performance Characteristics (continued)

Unless otherwise specified the following conditions apply:  $T_J = 25^\circ\text{C}$ ,  $V_{IN} = 48\text{ V}$ . All graphs show junction temperature.

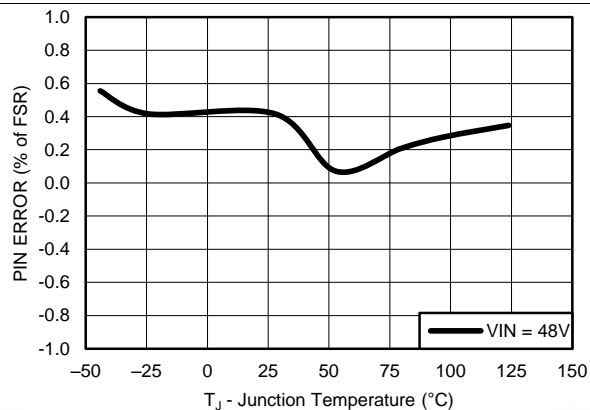


Figure 20. Pin Measurement Accuracy ( $V_{IN} - \text{Sense} = 50\text{ mV}$ )

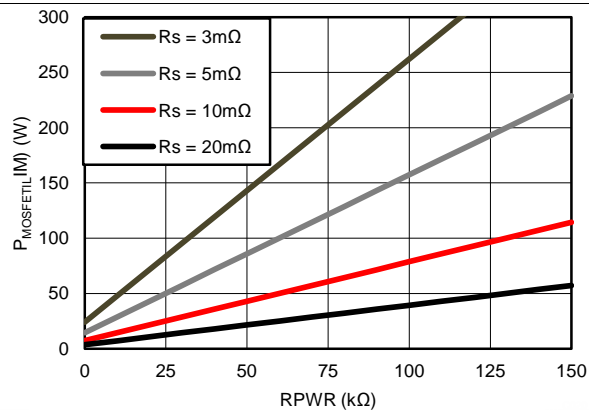


Figure 21. MOSFET Power Dissipation Limit vs  $R_{PWR}$  And  $R_s$  ( $V_{IN} = 48\text{ V}$ )

## 8 Detailed Description

### 8.1 Overview

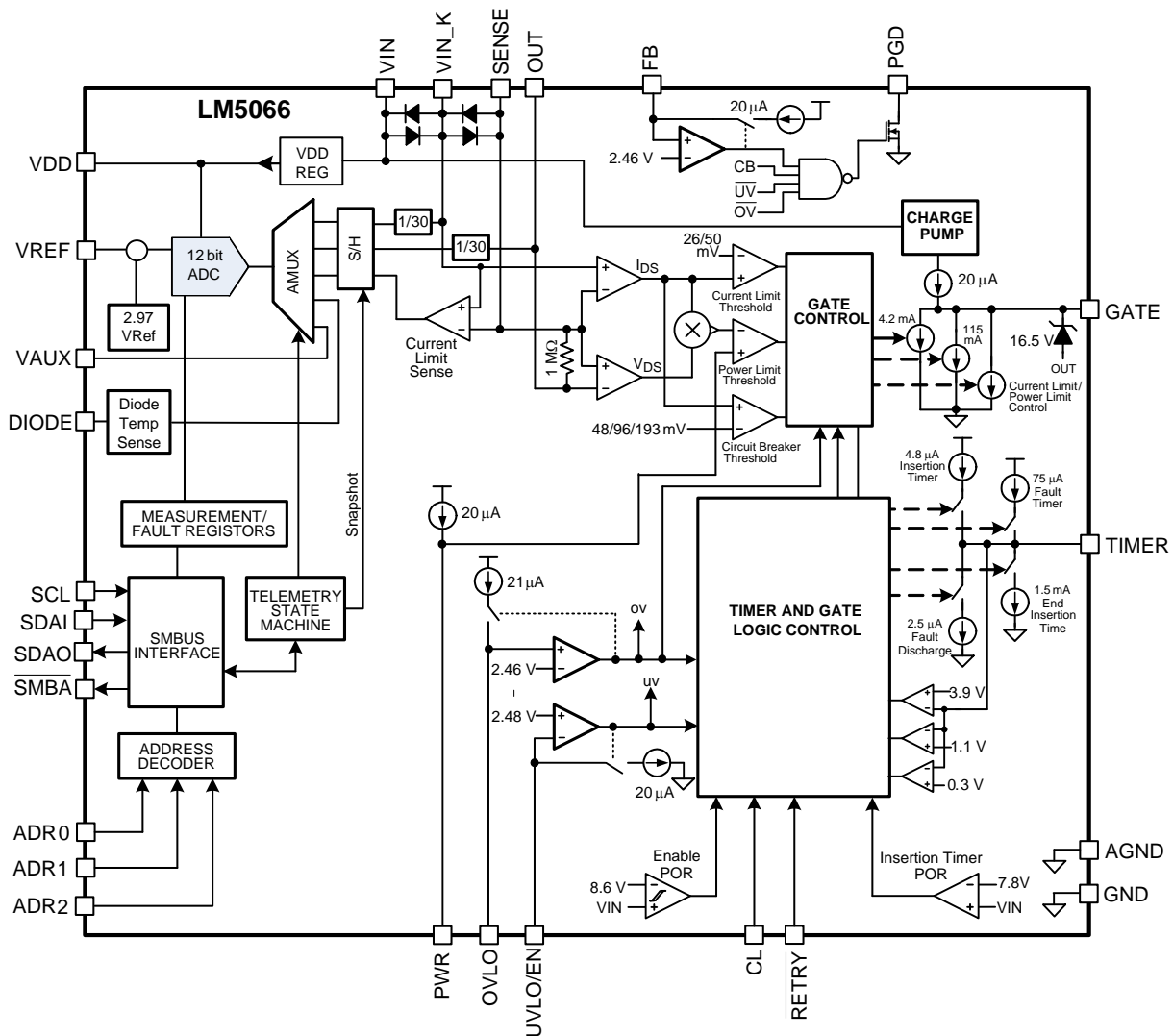
The inline protection functionality of the LM5066 is designed to control the in-rush current to the load after insertion of a circuit card into a live backplane or other “hot” power source, thereby limiting the voltage sag on the backplane’s supply voltage and the  $dV/dt$  of the voltage applied to the load. The effects on other circuits in the system are minimized by preventing possible unintended resets. When the circuit card is removed, a controlled shutdown can be implemented using the LM5066.

In addition to a programmable current limit, the LM5066 monitors and limits the maximum power dissipation in the series-pass device to maintain operation within the device safe operating area (SOA). Either current limiting or power limiting for an extended period of time results in the shutdown of the series-pass device. In this event, the LM5066 can latch off or repetitively retry based on the hardware setting of the  $\overline{\text{RETRY}}$  pin. When started, the number of retries can be set to none, 1, 2, 4, 8, 16, or infinite. The circuit breaker function quickly switches off the series-pass device upon detection of a severe overcurrent condition. Programmable undervoltage lockout (UVLO) and overvoltage lockout (OVLO) circuits shut down the LM5066 when the system input voltage is outside the desired operating range.

The telemetry capability of the LM5066 provides intelligent monitoring of the input voltage, output voltage, input current, input power, temperature, and an auxiliary input. The LM5066 also provides a peak capture of the input power and programmable hardware averaging of the input voltage, current, power, and output voltage. Warning thresholds which trigger the  $\overline{\text{SMBA}}$  pin may be programmed for input and output voltage, current, power, and temperature through the PMBus interface. Additionally, the LM5066 is capable of detecting damage to the external MOSFET,  $Q_1$ .



## 8.2 Functional Block Diagram



## 8.3 Feature Description

### 8.3.1 Current Limit

The current limit threshold is reached when the voltage across the sense resistor  $R_{SNS}$  (VIN\_K to SENSE) exceeds the ILIM threshold (26 mV if CL = VDD and 50 mV if CL = GND). In the current limiting condition, the GATE voltage is controlled to limit the current in MOSFET Q<sub>1</sub>. While the current limit circuit is active, the fault timer is active as described in the [Fault Timer and Restart](#) section. If the load current falls below the current limit threshold before the end of the Fault Timeout Period, the LM5066 resumes usual operation. If the current limit condition persists for longer than the Fault Timeout Period set by C<sub>T</sub>, the IIN OC Fault bit in the STATUS\_INPUT (7Ch) register, the INPUT bit in the STATUS\_WORD (79h) register, and IIN\_OC/PFET\_OP\_FAULT bit in the DIAGNOSTIC\_WORD (E1h) register is toggled high and SMBA pin is asserted. SMBA toggling can be disabled using the ALERT\_MASK (D8h) register. For proper operation, the R<sub>SNS</sub> resistor value should be no higher than 200 mΩ. Higher values may create instability in the current limit control loop. The current limit threshold pin value may be overridden by setting appropriate bits in the DEVICE\_SETUP register (D9h).

## Feature Description (continued)

### 8.3.2 Circuit Breaker

If the load current increases rapidly (for example, the load is short circuited), the current in the sense resistor ( $R_S$ ) may exceed the current limit threshold before the current limit control loop is able to respond. If the current exceeds  $1.94\times$  or  $3.87\times$  ( $CL = GND$ ) the current limit threshold,  $Q_1$  is quickly switched off by the 160-mA pulldown current at the GATE pin and a Fault Timeout Period begins. When the voltage across  $R_{SNS}$  falls below the circuit breaker (CB) threshold, the 115-mA pulldown current at the GATE pin is switched off, and the gate voltage of  $Q_1$  is then determined by the current limit or the power limit functions. If the TIMER pin reaches 3.9 V before the current limiting or power limiting condition ceases,  $Q_1$  is switched off by the 4.2-mA pulldown current at the GATE pin as described in the [Fault Timer and Restart](#) section. A circuit breaker event causes the CIRCUIT BREAKER FAULT bit in the STATUS\_OTHER (7Fh), STATUS\_MFR\_SPECIFIC (80h), and DIAGNOSTIC\_WORD (E1h) registers to be toggled high and  $\overline{SMBA}$  pin are asserted unless this feature is disabled using the ALERT\_MASK (D8h) register. The circuit breaker pin configuration may be overridden by setting appropriate bits in the DEVICE\_SETUP (D9h) register.

### 8.3.3 Power Limit

An important feature of the LM5066 is the MOSFET power limiting. The Power Limit function can be used to maintain the maximum power dissipation of MOSFET  $Q_1$  within the device SOA rating. The LM5066 determines the power dissipation in  $Q_1$  by monitoring its drain-source voltage (SENSE to OUT), and the drain current through the  $R_{SNS}$  ( $VIN\_K$  to SENSE). The product of the current and voltage is compared to the power limit threshold programmed by the resistor at the PWR pin. If the power dissipation reaches the limiting threshold, the GATE voltage is modulated to regulate the current in  $Q_1$ . While the power limiting circuit is active, the fault timer is active as described in the [Fault Timer and Restart](#) section. If the power limit condition persists for longer than the Fault Timeout Period set by the timer capacitor,  $C_T$ , the IIN OC Fault bit in the STATUS\_INPUT (7Ch) register, the INPUT bit in the STATUS\_WORD (79h) register, and the IIN\_OC/PFET\_OP\_FAULT bit in the DIAGNOSTIC\_WORD (E1h) register is toggled high and  $\overline{SMBA}$  pin is asserted unless this feature is disabled using the ALERT\_MASK (D8h) register.

### 8.3.4 UVLO

The series-pass MOSFET ( $Q_1$ ) is enabled when the input supply voltage ( $V_{IN}$ ) is within the operating range defined by the programmable UVLO and OVLO levels. Typically the UVLO level at  $V_{IN}$  is set with a resistor divider. Referring to the [Functional Block Diagram](#) when  $V_{IN}$  is below the UVLO level, the internal 20- $\mu$ A current source at UVLO is enabled, the current source at OVLO is off, and  $Q_1$  is held off by the 4.2-mA pulldown current at the GATE pin. As  $V_{IN}$  is increased, raising the voltage at UVLO above its threshold the 20  $\mu$ A current source at UVLO is switched off, increasing the voltage at UVLO, providing hysteresis for this threshold. With the UVLO/EN pin above its threshold,  $Q_1$  is switched on by the 20- $\mu$ A current source at the GATE pin if the insertion time delay has expired.

See the [Application and Implementation](#) section for a procedure to calculate the values of the threshold setting resistors. The minimum possible UVLO level at  $V_{IN}$  can be set by connecting the UVLO/EN pin to  $VIN$ . In this case,  $Q_1$  is enabled after the insertion time when the voltage at  $VIN$  reaches the POR threshold. After power-up, an UVLO condition causes the INPUT bit in the STATUS\_WORD (79h) register, the  $VIN\_UV\_FAULT$  bit in the STATUS\_INPUT (7Ch) register, and the  $VIN\_UNDERVOLTAGE\_FAULT$  bit in the DIAGNOSTIC\_WORD (E1h) registers to be toggled high and  $\overline{SMBA}$  pin is pulled low unless this feature is disabled using the ALERT\_MASK (D8h) register.

### 8.3.5 OVLO

The series-pass MOSFET ( $Q_1$ ) is enabled when the input supply voltage ( $V_{IN}$ ) is within the operating range defined by the programmable UVLO and OVLO levels. If  $V_{IN}$  raises the OVLO pin voltage above its threshold,  $Q_1$  is switched off by the 4.2-mA pulldown current at the GATE pin, denying power to the load. When the OVLO pin is above its threshold, the internal 21- $\mu$ A current source at OVLO is switched on, raising the voltage at OVLO to provide threshold hysteresis. When  $V_{IN}$  is reduced below the OVLO level  $Q_1$  is re-enabled. An OVLO condition toggles the  $VIN\_OV\_FAULT$  bit in the STATUS\_INPUT (7Ch) register, the INPUT bit in the STATUS\_WORD (79h) register and the  $VIN\_OVERVOLTAGE\_FAULT$  bit in the DIAGNOSTIC\_WORD (E1h) register. The  $\overline{SMBA}$  pin is pulled low unless this feature is disabled using the ALERT\_MASK (D8h) register.

See the [Application and Implementation](#) section for a procedure to calculate the threshold setting resistor values.

## Feature Description (continued)

### 8.3.6 Power Good Pin

The Power Good indicator pin (PGD) is connected to the drain of an internal N-channel MOSFET capable of sustaining 80 V in the off-state, and transients up to 100 V. An external pullup resistor is required at PGD to an appropriate voltage to indicate the status to downstream circuitry. The off-state voltage at the PGD pin can be higher or lower than the voltages at VIN and OUT. PGD is switched high when the voltage at the FB pin exceeds the PGD threshold voltage. Typically, the output voltage threshold is set with a resistor divider from output to feedback, although the monitored voltage need not be the output voltage. Any other voltage can be monitored as long as the voltage at the FB pin does not exceed its maximum rating. Referring to the [Functional Block Diagram](#), when the voltage at the FB pin is below its threshold, the 20- $\mu$ A current source at FB is disabled. As the output voltage increases, taking FB above its threshold, the current source is enabled, sourcing current out of the pin, raising the voltage at FB to provide threshold hysteresis. The PGD output is forced low when either the UVLO/EN pin is below its threshold or the OVLO pin is above its threshold. The status of the PGD pin can be read through the PMBus interface in either the STATUS\_WORD (79h) or DIAGNOSTIC\_WORD (E1h) registers.

### 8.3.7 VDD Sub-Regulator

The LM5066 contains an internal linear sub-regulator, which steps down the input voltage to generate a 4.9-V rail used for powering low voltage circuitry. The VDD sub-regulator should be used as the pullup supply for the CL, RETRY, ADR2, ADR1, and ADR0 pins if they are to be tied high. It may also be used as the pullup supply for the PGD and the SMBus signals (SDA, SCL, and SMBA). The VDD sub-regulator is not designed to drive high currents and should not be loaded with other integrated circuits. The VDD pin is current limited to 30 mA in order to protect the LM5066 in the event of a short. The sub-regulator requires a ceramic bypass capacitance having a value of 1  $\mu$ F or greater to be placed as close to the VDD pin as the PCB layout allows.

### 8.3.8 Remote Temperature Sensing

The LM5066 is designed to measure temperature remotely using an MMBT3904 NPN transistor. The base and collector of the MMBT3904 should be connected to the DIODE pin and the emitter to the LM5066 ground. Place the MMBT3904 near the device that requires temperature sensing. If the temperature of the hot swap pass MOSFET, Q<sub>1</sub>, is to be measured, the MMBT3904 should be placed as close to Q<sub>1</sub> as the layout allows. The temperature is measured by means of a change in the diode voltage in response to a step in current supplied by the DIODE pin. The DIODE pin sources a constant 9.4  $\mu$ A, but pulses 250  $\mu$ A once every millisecond to measure the diode temperature. Take care in the PCB layout to keep the parasitic resistance between the DIODE pin and the MMBT3904 low so as not to degrade the measurement. In addition it is recommended to make a Kelvin connection from the emitter of the MMBT3904 to the GND of the part to ensure an accurate measurement. Additionally, a small 1000-pF bypass capacitor should be placed in parallel with the MMBT3904 to reduce the effects of noise. The temperature can be read using the READ\_TEMPERATURE\_1 PMBus command (8Dh). The default limits of the LM5066 causes SMBA pin to be pulled low if the measured temperature exceeds 125°C and disables Q<sub>1</sub> if the temperature exceeds 150°C. These thresholds can be reprogrammed through the PMBus interface using the OT\_WARN\_LIMIT (51h) and OT\_FAULT\_LIMIT (4Fh) commands. If the temperature measurement and protection capability of the LM5066 are not used, the DIODE pin should be grounded.

Erroneous temperature measurements may result when the device input voltage is below the minimum operating voltage (10 V), due to VREF dropping out below the nominal voltage (2.97 V). At higher ambient temperatures, this measurement could read a value higher than the OT\_FAULT\_LIMIT, and trigger a fault, disabling Q<sub>1</sub>. In this case, the faults should be removed and the device reset by writing a 0h, followed by an 80h to the OPERATION (03h) register.

### 8.3.9 Damaged MOSFET Detection

The LM5066 is able to detect whether the external MOSFET, Q<sub>1</sub>, is damaged under certain conditions. If the voltage across the sense resistor exceeds 4 mV while the GATE voltage is low or the internal logic indicates that the GATE should be low, the EXT\_MOSFET\_SHORTED bit in the STATUS\_MFR\_SPECIFIC (80h) and DIAGNOSTIC\_WORD (E1h) registers are toggled high and the SMBA pin is asserted unless this feature is disabled using the ALERT\_MASK register (D8h). This method effectively determines whether Q<sub>1</sub> is shorted because of damage present between the drain and gate and/or drain and source.

## 8.4 Device Functional Modes

### 8.4.1 Power-Up Sequence

The  $V_{IN}$  operating range of the LM5066 is 10 to 80 V, with a transient capability to 100 V. Referring to the and [Figure 22](#), as the voltage at  $V_{IN}$  initially increases, the external N-channel MOSFET ( $Q_1$ ) is held off by an internal 115-mA pulldown current at the GATE pin. The strong pulldown current at the GATE pin prevents an inadvertent turn-on as the gate-to-drain (Miller) capacitance of the MOSFET is charged. Additionally, the TIMER pin is initially held at ground. When the  $V_{IN}$  voltage reaches the POR threshold the insertion time begins. During the insertion time, the capacitor at the TIMER pin ( $C_T$ ) is charged by a 4.8- $\mu$ A current source, and  $Q_1$  is held off by a 4.2-mA pulldown current at the GATE pin regardless of the input voltage. The insertion time delay allows ringing and transients at  $V_{IN}$  to settle before  $Q_1$  is enabled. The insertion time ends when the TIMER pin voltage reaches 3.9 V.  $C_T$  is then quickly discharged by an internal 1.5-mA pulldown current. The GATE pin then switches on  $Q_1$  when  $V_{IN}$  exceeds the UVLO threshold. If  $V_{IN}$  is above the UVLO threshold at the end of the insertion time,  $Q_1$  the GATE pin charge pump sources 20  $\mu$ A to charge the gate capacitance of  $Q_1$ . The maximum voltage from the gate to source of the  $Q_1$  is limited by an internal 16.5-V Zener diode.

As the voltage at the OUT pin increases, the LM5066 monitors the drain current and power dissipation of MOSFET  $Q_1$ . In-rush current limiting or power limiting circuits, or both, actively control the current delivered to the load. During the in-rush limiting interval ( $t_2$  in [Figure 22](#)), an internal 75- $\mu$ A fault timer current source charges  $C_T$ . If  $Q_1$ 's power dissipation and the input current reduce below their respective limiting thresholds before the TIMER pin reaches 3.9 V, the 75- $\mu$ A current source is switched off, and  $C_T$  is discharged by the internal 2.5- $\mu$ A current sink ( $t_3$  in [Figure 22](#)). The in-rush limiting no longer engages unless a current-limit condition occurs.

If the TIMER pin voltage reaches 3.9 V before in-rush current limiting or power limiting ceases during  $t_2$ , a fault is declared and  $Q_1$  is turned off. See the [Fault Timer and Restart](#) section for a complete description of the fault mode.

The LM5066 asserts the  $\overline{SMBA}$  pin after the input voltage has exceeded its POR threshold to indicate that the volatile memory and device settings are in their default state. The CONFIG\_PRESET bit within the STATUS\_MFR\_SPECIFIC register (80h) indicates default configuration of warning thresholds and device operation and remains high until a CLEAR\_FAULTS command is received.

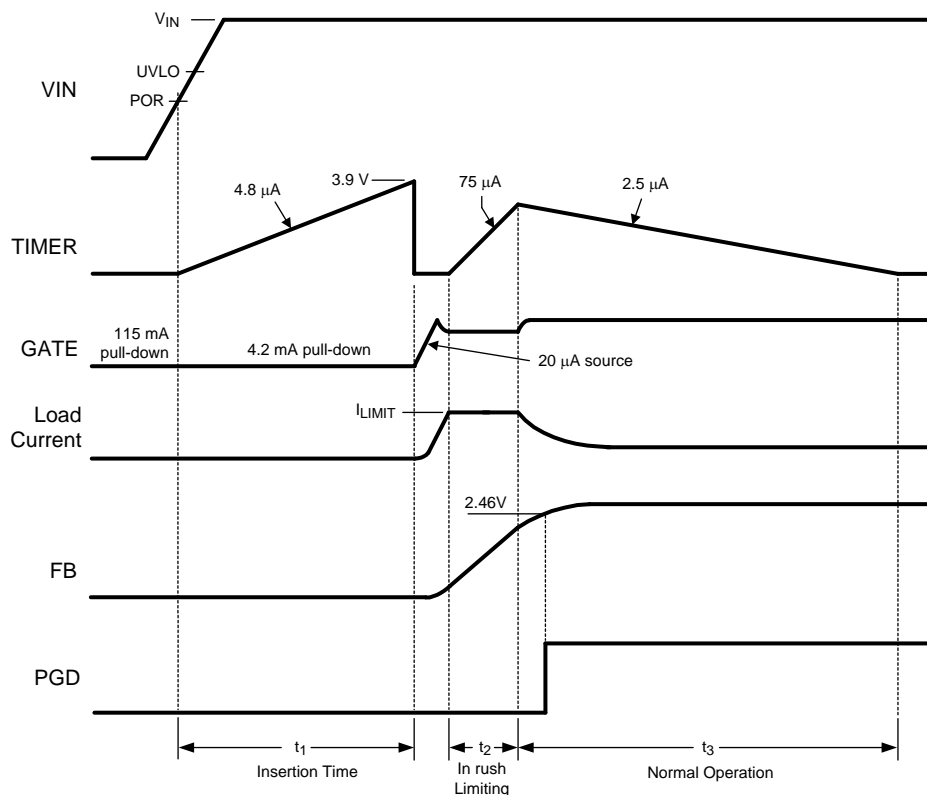


Figure 22. Power-Up Sequence (Current Limit Only)

## Device Functional Modes (continued)

### 8.4.2 Gate Control

A charge pump provides the voltage at the GATE pin to enhance the N-channel MOSFET's gate ( $Q_1$ ). During normal operating conditions ( $t_3$  in Figure 22), the gate of  $Q_1$  is held charged by an internal 20- $\mu$ A current source. The charge pump peak voltage is roughly 13.5 V, which forces a  $V_{GS}$  across  $Q_1$  of 13.5 V under normal operation. When the system voltage is initially applied, the GATE pin is held low by a 115-mA pulldown current. This helps prevent an inadvertent turn-on of  $Q_1$  through its drain-gate capacitance as the applied system voltage increases.

During the insertion time ( $t_1$  in Figure 22) the GATE pin is held low by a 4.2-mA pulldown current. This maintains  $Q_1$  in the off-state until the end of  $t_1$ , regardless of the voltage at  $V_{IN}$  or UVLO. Following the insertion time, during  $t_2$  in Figure 22 the gate voltage of  $Q_1$  is modulated to keep the current or power dissipation level from exceeding the programmed levels. While in the current or power limiting mode, the TIMER pin capacitor is charging. If the current and power limiting cease before the TIMER pin reaches 3.9 V, the TIMER pin capacitor then discharges, and the circuit begins normal operation. If the in-rush limiting condition persists such that the TIMER pin reached 3.9 V during  $t_2$ , the GATE pin is then pulled low by the 4.2-mA pulldown current. The GATE pin is then held low until either a power-up sequence is initiated ( $\overline{\text{RETRY}}$  pin to VDD), or an automatic retry is attempted ( $\overline{\text{RETRY}}$  pin to GROUND or floating). See the *Fault Timer and Restart* section. If the system input voltage falls below the UVLO threshold, or rises above the OVLO threshold, the GATE pin is pulled low by the 4.2-mA pulldown current to switch off  $Q_1$ .

### 8.4.3 Fault Timer and Restart

When the current limit or power limit threshold is reached during turn-on, or as a result of a fault condition, the gate-to-source voltage of  $Q_1$  is modulated to regulate the load current and power dissipation in  $Q_1$ . When either limiting function is active, a 75- $\mu$ A fault timer current source charges the external capacitor ( $C_T$ ) at the TIMER pin as shown in Figure 22 (fault timeout period). If the fault condition subsides during the fault timeout period before the TIMER pin reaches 3.9 V, the LM5066 returns to the normal operating mode and  $C_T$  is discharged by the 1.5-mA current sink. If the TIMER pin reaches 3.9 V during the fault timeout period,  $Q_1$  is switched off by a 4.2-mA pulldown current at the GATE pin. The subsequent restart procedure then depends on the selected retry configuration.

If the  $\overline{\text{RETRY}}$  pin is high, the LM5066 latches the GATE pin low at the end of the fault timeout period.  $C_T$  is then discharged to ground by the 2.5- $\mu$ A fault current sink. The GATE pin is held low by the 4.2-mA pulldown current until a power-up sequence is externally initiated by cycling the input voltage ( $V_{IN}$ ), or momentarily pulling the UVLO/EN pin below its threshold with an open-collector or open-drain device as shown in Figure 23. The voltage at the TIMER pin must be  $<0.3$  V for the restart procedure to be effective. The `TIMER_LATCHED_OFF` bit in the `DIAGNOSTIC_WORD` (E1h) register remains high while the latched off condition persists.

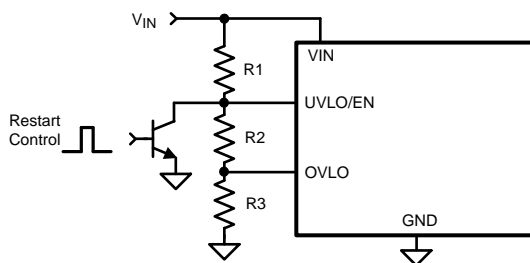
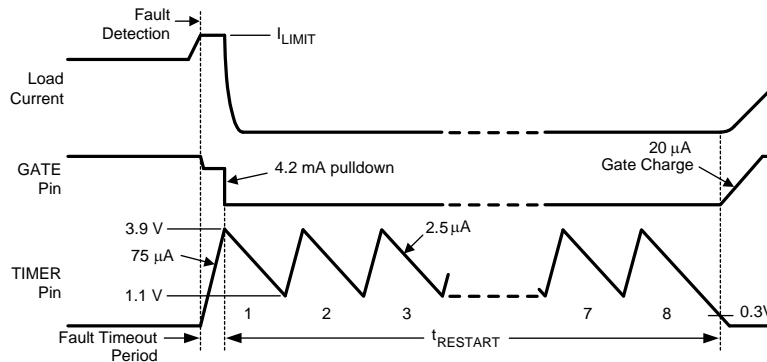


Figure 23. Latched Fault Restart Control

The LM5066 provides an automatic restart sequence which consists of the TIMER pin cycling between 3.9 and 1.2 V seven times after the fault timeout period, as shown in Figure 24. The period of each cycle is determined by the 75- $\mu$ A charging current, the 2.5- $\mu$ A discharge current, and the value of the capacitor,  $C_T$ . When the TIMER pin reaches 0.3 V during the eighth high-to-low ramp, the 20- $\mu$ A current source at the GATE pin turns on  $Q_1$ . If the fault condition is still present, the fault timeout period and the restart sequence repeat. The  $\overline{\text{RETRY}}$  pin allows selecting no retries or infinite retries. Finer control of the retry behavior can be achieved through the `DEVICE_SETUP` (D9h) register. Retry counts of 0, 1, 2, 4, 8, 16, or infinite may be selected by setting the appropriate bits in the `DEVICE_SETUP` (D9h) register.

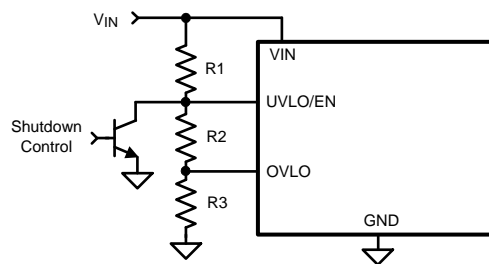
## Device Functional Modes (continued)



**Figure 24. Restart Sequence**

### 8.4.4 Shutdown Control

The load current can be remotely switched off by taking the UVLO/EN pin below its threshold with an open collector or open-drain device, as shown in Figure 25. When UVLO/EN pin is released, the LM5066 switches on the FET with in-rush current and power limiting.



**Figure 25. Shutdown Control**

### 8.4.5 Enabling/Disabling and Resetting

The output can be disabled during normal operation by either pulling the UVLO/EN pin to below its threshold or the OVLO pin above its threshold. This will cause the GATE voltage to be forced low with a pull-down strength of 4.2 mA. Toggling the UVLO/EN pin also resets the LM5066 from a latched-off state due to an overcurrent or over-power limit condition that caused the maximum allowed number of retries to be exceeded. While the UVLO/EN or OVLO pins can be used to disable the output, they have no effect on the volatile memory or address location of the LM5066. User-stored values for address, device operation, and warning and fault levels programmed through the SMBus are preserved while the LM5066 is powered regardless of the state of the UVLO/EN and OVLO pins. The output may also be enabled or disabled by writing 80h or 0h to the OPERATION (03h) register. To re-enable after a fault, the fault condition should be cleared by programming the OPERATION (03h) register with 0h and then 80h.

The SMBus address of the LM5066 is captured based-on the states of the ADR0, ADR1, and ADR2 pins (GND, NC, and VDD) during turn on and is latched into a volatile register after VDD has exceeded its POR threshold of 4.1 V. Reassigning or postponing the address capture is accomplished by holding the VREF pin to ground. Pulling the VREF pin low also resets the logic and erases the volatile memory of the LM5066. When released, the VREF pin charges up to its final value and the address is latched into a volatile register when the voltage at the VREF exceeds 2.55 V.

## 8.5 Programming

### 8.5.1 PMBus Command Support

The device features an SMBus interface that allows the use of PMBus commands to set warn levels, error masks, and get telemetry on  $V_{IN}$ ,  $V_{OUT}$ ,  $I_{IN}$ ,  $V_{AUX}$ , and  $P_{IN}$ . The supported PMBus commands are shown in [Table 2](#).

**Table 2. Supported PMBus Commands**

CODE	NAME	FUNCTION	R/W	NUMBER OF DATA BYTES	DEFAULT VALUE
01h	OPERATION	Retrieves or stores the operation status	R/W	1	80h
03h	CLEAR_FAULTS	Clears the status registers and re-arms the black box registers for updating	Send byte	0	
19h	CAPABILITY	Retrieves the device capability	R	1	80h
43h	VOUT_UV_WARN_LIMIT	Retrieves or stores output undervoltage warn limit threshold	R/W	2	0000h
4Fh	OT_FAULT_LIMIT	Retrieves or stores over temperature fault limit threshold	R/W	2	0960h (150°C)
51h	OT_WARN_LIMIT	Retrieves or stores over temperature warn limit threshold	R/W	2	07D0h (125°C)
57h	VIN_OV_WARN_LIMIT	Retrieves or stores input overvoltage warn limit threshold	R/W	2	0FFFh
58h	VIN_UV_WARN_LIMIT	Retrieves or stores input undervoltage warn limit threshold	R/W	2	0000h
78h	STATUS_BYTE	Retrieves information about the parts operating status	R	1	49h
79h	STATUS_WORD	Retrieves information about the parts operating status	R	2	3849h
7Ah	STATUS_VOUT	Retrieves information about output voltage status	R	1	00h
7Ch	STATUS_INPUT	Retrieves information about input status	R	1	10h
7Dh	STATUS_TEMPERATURE	Retrieves information about temperature status	R	1	00h
7Eh	STATUS_CML	Retrieves information about communications status	R	1	00h
80h	STATUS_MFR_SPECIFIC	Retrieves information about circuit breaker and MOSFET shorted status	R	1	10h
88h	READ_VIN	Retrieves input voltage measurement	R	2	0000h
8Bh	READ_VOUT	Retrieves output voltage measurement	R	2	0000h
8Dh	READ_TEMPERATURE_1	Retrieves temperature measurement	R	2	0190h
99h	MFR_ID	Retrieves manufacturer ID in ASCII characters (NSC)	R	3	4Eh 53h 43h
9Ah	MFR_MODEL	Retrieves part number in ASCII characters. (LM5066)	R	8	4Ch 4Dh 35h 30h 36h 36h 0h 0h
9Bh	MFR_REVISION	Retrieves part revision letter or number in ASCII (for example, AA)	R	2	41h 41h
D0h	MFR_SPECIFIC_00 READ_VAUX	Retrieves auxiliary voltage measurement	R	2	0000h
D1h	MFR_SPECIFIC_01 MFR_READ_IIN	Retrieves input current measurement	R	2	0000h
D2h	MFR_SPECIFIC_02 MFR_READ_PIN	Retrieves input power measurement	R	2	0000h
D3h	MFR_SPECIFIC_03 MFR_IIN_OC_WARN_LIMIT	Retrieves or stores input current limit warn threshold	R/W	2	0FFFh
D4h	MFR_SPECIFIC_04 MFR_PIN_OP_WARN_LIMIT	Retrieves or stores input power limit warn threshold	R/W	2	0FFFh
D5h	MFR_SPECIFIC_05 READ_PIN_PEAK	Retrieves measured peak input power measurement	R	2	0000h
D6h	MFR_SPECIFIC_06 CLEAR_PIN_PEAK	Resets the contents of the peak input power register to 0	Send byte	0	
D7h	MFR_SPECIFIC_07 GATE_MASK	Allows the user to disable MOSFET gate shutdown for various fault conditions	R/W	1	0000h

**Programming (continued)**
**Table 2. Supported PMBus Commands (continued)**

CODE	NAME	FUNCTION	R/W	NUMBER OF DATA BYTES	DEFAULT VALUE
D8h	MFR_SPECIFIC_08 ALERT_MASK	Retrieves or stores user $\overline{\text{SMBA}}$ fault mask	R/W	2	0820h
D9h	MFR_SPECIFIC_09 DEVICE_SETUP	Retrieves or stores information about number of retry attempts	R/W	1	0000h
DAh	MFR_SPECIFIC_10 BLOCK_READ	Retrieves most recent diagnostic and telemetry information in a single transaction	R	12	08E0h 0000h 0000h 0000h 0000h
DBh	MFR_SPECIFIC_11 SAMPLES_FOR_AVG	Exponent value AVGN for number of samples to be averaged ( $N = 2^{\text{AVGN}}$ ), range = 00h to 0Ch	R/W	1	00h
DCh	MFR_SPECIFIC_12 READ_AVG_VIN	Retrieves averaged input voltage measurement	R	2	0000h
DDh	MFR_SPECIFIC_13 READ_AVG_VOUT	Retrieves averaged output voltage measurement	R	2	0000h
DEh	MFR_SPECIFIC_14 READ_AVG_IIN	Retrieves averaged input current measurement	R	2	0000h
DFh	MFR_SPECIFIC_15 READ_AVG_PIN	Retrieves averaged input power measurement	R	2	0000h
E0h	MFR_SPECIFIC_16 BLACK_BOX_READ	Captures diagnostic and telemetry information, which are latched when the first $\overline{\text{SMBA}}$ event occurs after faults are cleared	R	12	08E0h 0000h 0000h 0000h 0000h
E1h	MFR_SPECIFIC_17 DIAGNOSTIC_WORD_READ	Manufacturer-specific parallel of the STATUS_WORD to convey all FAULT/WARN data in a single transaction	R	2	08E0h
E2h	MFR_SPECIFIC_18 AVG_BLOCK_READ	Retrieves most recent average telemetry and diagnostic information in a single transaction	R	12	08E0h 0000h 0000h 0000h 0000h

**8.5.2 Standard PMBus Commands**
**8.5.2.1 OPERATION (01h)**

The OPERATION command is a standard PMBus command that controls the MOSFET switch. This command can be used to switch the MOSFET on and off under host control. It is also used to re-enable the MOSFET after a fault triggered shutdown. Writing an OFF command, followed by an ON command, clears all faults and re-enables the device. Writing only an ON after a fault-triggered shutdown does not clear the fault registers or re-enable the device. The OPERATION command is issued with the write byte protocol.

**Table 3. Recognized OPERATION Command Values**

VALUE	MEANING	DEFAULT
80h	Switch ON	80h
00h	Switch OFF	N/A

**8.5.2.2 CLEAR\_FAULTS (03h)**

The CLEAR\_FAULTS command is a standard PMBus command that resets all stored warning and fault flags and the  $\overline{\text{SMBA}}$  signal. If a fault or warning condition still exists when the CLEAR\_FAULTS command is issued, the  $\overline{\text{SMBA}}$  signal may not clear or re-asserts almost immediately. Issuing a CLEAR\_FAULTS command does not cause the MOSFET to switch back on in the event of a fault turnoff; that must be done by issuing an OPERATION command after the fault condition is cleared. This command uses the PMBus send byte protocol.



### 8.5.2.3 CAPABILITY (19h)

The CAPABILITY command is a standard PMBus command that returns information about the PMBus functions supported by the LM5066. This command is read with the PMBus read byte protocol.

**Table 4. CAPABILITY Register**

VALUE	MEANING	DEFAULT
B0h	Supports packet error check, 400 Kb/s, supports SMBus alert	B0h

### 8.5.2.4 VOUT\_UV\_WARN\_LIMIT (43h)

The VOUT\_UV\_WARN\_LIMIT command is a standard PMBus command that allows configuring or reading the threshold for the VOUT undervoltage warning detection. Reading and writing to this register should use the coefficients shown in Table 42. Accesses to this command should use the PMBus read or write word protocol. If the measured value of VOUT falls below the value in this register, VOUT UV warn flags are set and the SMBA signal is asserted.

**Table 5. VOUT\_UV\_WARN\_LIMIT Register**

VALUE	MEANING	DEFAULT
0001h to 0FFFh	VOUT undervoltage warning detection threshold	0000h (disabled)
0000h	VOUT undervoltage warning disabled	N/A

### 8.5.2.5 OT\_FAULT\_LIMIT (4Fh)

The OT\_FAULT\_LIMIT command is a standard PMBus command that allows configuring or reading the threshold for the overtemperature fault detection. Reading and writing to this register should use the coefficients shown in Table 42. Accesses to this command should use the PMBus read or write word protocol. If the measured temperature exceeds this value, an overtemperature fault is triggered and the MOSFET is switched off, OT\_FAULT flags set, and the SMBA signal asserted. After the measured temperature falls below the value in this register, the MOSFET may be switched back on with the OPERATION command. A single temperature measurement is an average of 16 round-robin cycles; therefore, the minimum temperature fault detection time is 16 ms.

**Table 6. OT\_FAULT\_LIMIT Register**

VALUE	MEANING	DEFAULT
0000h to 0FFEh	Over-temperature fault threshold value	0960h (150°C)
0FFFh	Over-temperature fault detection disabled	N/A

### 8.5.2.6 OT\_WARN\_LIMIT (51h)

The OT\_WARN\_LIMIT command is a standard PMBus command that allows configuring or reading the threshold for the over-temperature warning detection. Reading and writing to this register should use the coefficients shown in Table 42. Accesses to this command should use the PMBus read or write word protocol. If the measured temperature exceeds this value, an over-temperature warning is triggered and the OT\_WARN flags set in the respective registers and the SMBA signal asserted. A single temperature measurement is an average of 16 round-robin cycles; therefore, the minimum temperature warn detection time is 16 ms.

**Table 7. OT\_WARN\_LIMIT Register**

VALUE	MEANING	DEFAULT
0000h to 0FFEh	Over-temperature warn threshold value	07D0h (125°C)
0FFFh	Over-temperature warn detection disabled	N/A

### 8.5.2.7 VIN\_OV\_WARN\_LIMIT (57h)

The VIN\_OV\_WARN\_LIMIT command is a standard PMBus command that allows configuring or reading the threshold for the VIN overvoltage warning detection. Reading and writing to this register should use the coefficients shown in Table 42. Accesses to this command should use the PMBus read or write word protocol. If the measured value of VIN rises above the value in this register, VIN OV warn flags are set in the respective registers and the SMBA signal is asserted.

**Table 8. VIN\_OV\_WARN\_LIMIT Register**

VALUE	MEANING	DEFAULT
0h to 0FFh	VIN overvoltage warning detection threshold	0FFh (disabled)
0FFh	VIN overvoltage warning disabled	N/A

### 8.5.2.8 VIN\_UV\_WARN\_LIMIT (58h)

The VIN\_UV\_WARN\_LIMIT command is a standard PMBus command that allows configuring or reading the threshold for the VIN undervoltage warning detection. Reading and writing to this register should use the coefficients shown in Table 42. Accesses to this command should use the PMBus read or write word protocol. If the measured value of VIN falls below the value in this register, VIN UV warn flags are set in the respective register, and the SMBA signal is asserted.

**Table 9. VIN\_UV\_WARN\_LIMIT Register**

VALUE	MEANING	DEFAULT
1h to 0FFFh	VIN undervoltage warning detection threshold	0000h (disabled)
0000h	VIN undervoltage warning disabled	N/A

### 8.5.2.9 STATUS\_BYTE (78h)

The STATUS\_BYTE is a standard PMBus command that returns the value of a number of flags indicating the state of the LM5066. Accesses to this command should use the PMBus read byte protocol. To clear bits in this register, the underlying fault should be removed on the system and a CLEAR\_FAULTS command issued.

**Table 10. STATUS\_BYTE Definitions**

BIT	NAME	MEANING	DEFAULT
7	BUSY	Not supported, always 0	0
6	OFF	This bit is asserted if the MOSFET is not switched on for any reason.	1
5	VOUT OV	Not supported, always 0	0
4	IOUT OC	Not supported, always 0	0
3	VIN UV fault	A VIN undervoltage fault has occurred	1
2	TEMPERATURE	A temperature fault or warning has occurred	0
1	CML	A communication fault has occurred	0
0	None of the above	A fault or warning not listed in bits [7:1] has occurred	1

### 8.5.2.10 STATUS\_WORD (79h)

The STATUS\_WORD command is a standard PMBus command that returns the value of a number of flags indicating the state of the LM5066. Accesses to this command should use the PMBus read word protocol. To clear bits in this register, the underlying fault should be removed and a CLEAR\_FAULTS command issued. The INPUT and VIN UV flags default to 1 on startup; however, they are cleared to 0 after the first time the input voltage exceeds the resistor-programmed UVLO threshold.

**Table 11. STATUS\_WORD Definitions**

BIT	NAME	MEANING	DEFAULT
15	VOUT	An output voltage fault or warning has occurred	0
14	IOUT/POUT	Not supported, always 0	0
13	INPUT	An input voltage or current fault has occurred	1
12	FET FAIL	FET is shorted	1
11	POWER GOOD	The Power Good signal has been negated	1
10	FANS	Not supported, always 0	0
9	CB_Fault	Circuit breaker fault triggered	0
8	UNKNOWN	Not supported, always 0	0
7	BUSY	Not supported, always 0	0
6	OFF	This bit is asserted if the MOSFET is not switched on for any reason.	1
5	VOUT OV	Not supported, always 0	0
4	IOUT OC	Not supported, always 0	0
3	VIN UV	A VIN undervoltage fault has occurred	1
2	TEMPERATURE	A temperature fault or warning has occurred	0
1	CML	A communication fault has occurred	0
0	None of the above	A fault or warning not listed in bits [7:1] has occurred	1

#### 8.5.2.11 STATUS\_VOUT (7Ah)

The STATUS\_VOUT command is a standard PMBus command that returns the value of the VOUT UV warn flag. Accesses to this command should use the PMBus read byte protocol. To clear bits in this register, the underlying fault should be cleared and a CLEAR\_FAULTS command issued.

**Table 12. STATUS\_VOUT Definitions**

BIT	NAME	MEANING	DEFAULT
7	VOUT OV fault	Not supported, always 0	0
6	VOUT OV warn	Not supported, always 0	0
5	VOUT UV warn	A VOUT undervoltage warning has occurred	0
4	VOUT UV fault	Not supported, always 0	0
3	VOUT max	Not supported, always 0	0
2	TON max fault	Not supported, always 0	0
1	TOFF max fault	Not supported, always 0	0
0	VOUT tracking error	Not supported, always 0	0

#### 8.5.2.12 STATUS\_INPUT (7Ch)

The STATUS\_INPUT command is a standard PMBus command that returns the value of a number of flags related to input voltage, current, and power. Accesses to this command should use the PMBus read byte protocol. To clear bits in this register, the underlying fault should be cleared and a CLEAR\_FAULTS command issued. The VIN UV warn flag defaults to 1 on startup; however, it is cleared to 0 after the first time the input voltage increases above the resistor-programmed UVLO threshold.

**Table 13. STATUS\_INPUT Definitions**

BIT	NAME	MEANING	DEFAULT
7	VIN OV fault	A VIN overvoltage fault has occurred	0
6	VIN OV warn	A VIN overvoltage warning has occurred	0
5	VIN UV warn	A VIN undervoltage warning has occurred	1
4	VIN UV fault	A VIN undervoltage fault has occurred	0
3	Insufficient voltage	Not supported, always 0	0
2	IIN OC fault	An IIN overcurrent fault has occurred	0
1	IIN OC warn	An IIN overcurrent warning has occurred	0
0	PIN OP warn	A PIN overpower warning has occurred	0

### 8.5.2.13 STATUS\_TEMPERATURE (7dh)

The STATUS\_TEMPERATURE is a standard PMBus command that returns the value of the of a number of flags related to the temperature telemetry value. Accesses to this command should use the PMBus read byte protocol. To clear bits in this register, the underlying fault should be cleared and a CLEAR\_FAULTS command issued.

**Table 14. STATUS\_TEMPERATURE Definitions**

BIT	NAME	MEANING	DEFAULT
7	Overtemp fault	An overtemperature fault has occurred	0
6	Overtemp warn	An overtemperature warning has occurred	0
5	Undertemp warn	Not supported, always 0	0
4	Undertemp fault	Not supported, always 0	0
3	Reserved	Not supported, always 0	0
2	Reserved	Not supported, always 0	0
1	Reserved	Not supported, always 0	0
0	Reserved	Not supported, always 0	0

### 8.5.2.14 STATUS\_CML (7Eh)

The STATUS\_CML is a standard PMBus command that returns the value of a number of flags related to communication faults. Accesses to this command should use the PMBus read byte protocol. To clear bits in this register, a CLEAR\_FAULTS command should be issued.

**Table 15. STATUS\_CML Definitions**

BIT	NAME	DEFAULT
7	Invalid or unsupported command received	0
6	Invalid or unsupported data received	0
5	Packet error check failed	0
4	Not supported, always 0	0
3	Not supported, always 0	0
2	Not supported, always 0	0
1	Miscellaneous communications fault has occurred	0
0	Not supported, always 0	0

### 8.5.2.15 STATUS\_MFR\_SPECIFIC (80h)

The STATUS\_MFR\_SPECIFIC command is a standard PMBus command that contains manufacturer specific status information. Accesses to this command should use the PMBus read byte protocol. To clear bits in this register, the underlying fault should be removed and a CLEAR\_FAULTS command should be issued.

**Table 16. STATUS\_MFR\_SPECIFIC Definitions**

BIT	MEANING	DEFAULT
7	Circuit breaker fault	0
6	External MOSFET shorted fault	0
5	Not supported, always 0	0
4	Defaults loaded	1
3	Not supported, always 0	0
2	Not supported, always 0	0
1	Not supported, always 0	0
0	Not supported, always 0	0

#### 8.5.2.16 READ\_VIN (88h)

The READ\_VIN command is a standard PMBus command that returns the 12-bit measured value of the input voltage. Reading this register should use the coefficients shown in [Table 42](#). Accesses to this command should use the PMBus read word protocol. This value is also used internally for the VIN overvoltage and undervoltage warning detection.

**Table 17. READ\_VIN Register**

VALUE	MEANING	DEFAULT
0000h to 0FFFh	Measured value for VIN	0000h

#### 8.5.2.17 READ\_VOUT (8Bh)

The READ\_VOUT command is a standard PMBus command that returns the 12-bit measured value of the output voltage. Reading this register should use the coefficients shown in [Table 42](#). Accesses to this command should use the PMBus read word protocol. This value is also used internally for the VOUT undervoltage warning detection.

**Table 18. READ\_VOUT Register**

VALUE	MEANING	DEFAULT
0000h to 0FFFh	Measured value for VOUT	0000h

#### 8.5.2.18 READ\_TEMPERATURE\_1 (8Dh)

The READ\_TEMPERATURE\_1 command is a standard PMBus command that returns the signed value of the temperature measured by the external temperature sense diode. Reading this register should use the coefficients shown in [Table 42](#). Accesses to this command should use the PMBus read word protocol. This value is also used internally for the overtemperature fault and warning detection. This data has a range of  $-256^{\circ}\text{C}$  to  $255^{\circ}\text{C}$  after the coefficients are applied.

**Table 19. READ\_TEMPERATURE\_1 Register**

VALUE	MEANING	DEFAULT
0000h to 0FFFh	Measured value for TEMPERATURE	0000h

#### 8.5.2.19 MFR\_ID (99h)

The MFR\_ID command is a standard PMBus command that returns the identification of the manufacturer. To read the MFR\_ID, use the PMBus block read protocol.

**Table 20. MFR\_ID Register**

BYTE	NAME	VALUE
0	Number of bytes	03h
1	MFR ID-1	4Eh 'N'
2	MFR ID-2	53h 'S'

**Table 20. MFR\_ID Register (continued)**

BYTE	NAME	VALUE
3	MFR ID-3	43h 'C'

### 8.5.2.20 MFR\_MODEL (9Ah)

The MFR\_MODEL command is a standard PMBus command that returns the part number of the chip. To read the MFR\_MODEL, use the PMBus block read protocol.

**Table 21. MFR\_MODEL Register**

BYTE	NAME	VALUE
0	Number of bytes	08h
1	MFR ID-1	4Ch 'L'
2	MFR ID-2	4Dh 'M'
3	MFR ID-3	35h '5'
4	MFR ID-4	30h '0'
5	MFR ID-5	36h '6'
6	MFR ID-6	36h '6'
7	MFR ID-7	00h
8	MFR ID-8	00h

### 8.5.2.21 MFR\_REVISION (9Bh)

The MFR\_REVISION command is a standard PMBus command that returns the revision level of the part. To read the MFR\_REVISION, use the PMBus block read protocol.

**Table 22. MFR\_REVISION Register**

BYTE	NAME	VALUE
0	Number of bytes	02h
1	MFR ID-1	41h 'A'
2	MFR ID-2	41h 'A'

## 8.5.3 Manufacturer Specific PMBus Commands

### 8.5.3.1 MFR\_SPECIFIC\_00: READ\_VAUX (D0h)

The READ\_VAUX command reports the 12-bit ADC measured auxiliary voltage. Voltages greater than or equal to 2.97 V to ground are reported at plus full scale (0FFFh). Voltages less than or equal to 0 V referenced to ground are reported as 0 (0000h). To read data from the READ\_VAUX command, use the PMBus read word protocol.

**Table 23. READ\_VAUX Register**

VALUE	MEANING	DEFAULT
0000h to 0FFFh	Measured value for VAUX input	0000h

### 8.5.3.2 MFR\_SPECIFIC\_01: MFR\_READ\_IIN (D1h)

The MFR\_READ\_IIN command reports the 12-bit ADC measured current sense voltage. To read data from the MFR\_READ\_IIN command, use the PMBus read word protocol. Reading this register should use the coefficients shown in [Table 42](#). See the section [Reading and Writing Telemetry Data and Warning Thresholds](#) to calculate the values to use.

**Table 24. MFR\_READ\_IIN Register**

VALUE	MEANING	DEFAULT
0000h to 0FFFh	Measured value for input current sense voltage	0000h

### 8.5.3.3 MFR\_SPECIFIC\_02: MFR\_READ\_PIN (D2h)

The MFR\_READ\_PIN command reports the upper 12 bits of the VIN × IIN product as measured by the 12-bit ADC. To read data from the MFR\_READ\_PIN command, use the PMBus read word protocol. Reading this register should use the coefficients shown in [Table 42](#). See the section [Reading and Writing Telemetry Data and Warning Thresholds](#) to calculate the values to use.

**Table 25. MFR\_READ\_PIN Register**

VALUE	MEANING	DEFAULT
0000h to 0FFFh	VALUE for input current x input voltage	0000h

### 8.5.3.4 MFR\_SPECIFIC\_03: MFR\_IIN\_OC\_WARN\_LIMIT (D3h)

The MFR\_IIN\_OC\_WARN\_LIMIT PMBus command sets the input overcurrent warning threshold. In the event that the input current rises above the value set in this register, the IIN overcurrent flags are set in the respective registers and the SMBA is asserted. To access the MFR\_IIN\_OC\_WARN\_LIMIT register, use the PMBus read/write word protocol. Reading and writing to this register should use the coefficients shown in [Table 42](#).

**Table 26. MFR\_IIN\_OC\_WARN\_LIMIT Register**

VALUE	MEANING	DEFAULT
0000h to 0FFEh	Value for input overcurrent warn limit	0FFFh
0FFFh	Input overcurrent warning disabled	N/A

### 8.5.3.5 MFR\_SPECIFIC\_04: MFR\_PIN\_OP\_WARN\_LIMIT (D4h)

The MFR\_PIN\_OP\_WARN\_LIMIT PMBus command sets the input over-power warning threshold. In the event that the input power rises above the value set in this register, the PIN over-power flags are set in the respective registers and the SMBA is asserted. To access the MFR\_PIN\_OP\_WARN\_LIMIT register, use the PMBus read/write word protocol. Reading and writing to this register should use the coefficients shown in [Table 42](#).

**Table 27. MFR\_PIN\_OPWARN\_LIMIT Register**

VALUE	MEANING	DEFAULT
0000h to 0FFEh	Value for input over power warn limit	0FFFh
0FFFh	Input over power warning disabled	N/A

### 8.5.3.6 MFR\_SPECIFIC\_05: READ\_PIN\_PEAK (D5h)

The READ\_PIN\_PEAK command reports the maximum input power measured since a power-on reset or the last CLEAR\_PIN\_PEAK command. To access the READ\_PIN\_PEAK command, use the PMBus read word protocol. Use the coefficients shown in [Table 42](#).

**Table 28. READ\_PIN\_PEAK Register**

VALUE	MEANING	DEFAULT
0000h to 0FFFh	Maximum value for input current x input voltage since reset or last clear	0000h

### 8.5.3.7 MFR\_SPECIFIC\_06: CLEAR\_PIN\_PEAK (D6h)

The CLEAR\_PIN\_PEAK command clears the PIN PEAK register. This command uses the PMBus send byte protocol.

### 8.5.3.8 MFR\_SPECIFIC\_07: GATE\_MASK (D7h)

The GATE\_MASK register allows the hardware to prevent fault conditions from switching off the MOSFET. When the bit is high, the corresponding FAULT has no control over the MOSFET gate. All status registers are still updated (STATUS, DIAGNOSTIC) and SMBA is still asserted. This register is accessed with the PMBus read/write byte protocol.

**CAUTION**

Inhibiting the MOSFET switch off in response to overcurrent or circuit breaker fault conditions will likely result in the destruction of the MOSFET. This functionality must be used with great care and supervision.

**Table 29. MFR\_SPECIFIC\_07 Gate Mask Definitions**

BIT	NAME	DEFAULT
7	Not used, always 0	0
6	Not used, always 0	0
5	VIN UV FAULT	0
4	VIN OV FAULT	0
3	IIN/PFET FAULT	0
2	OVERTEMP FAULT	0
1	Not used, always 0	0
0	CIRCUIT BREAKER FAULT	0

The IIN/PFET fault refers to the input current fault and the MOSFET power dissipation fault. There is no input power fault detection, only input power warning detection.

**8.5.3.9 MFR\_SPECIFIC\_08: ALERT\_MASK (D8h)**

The ALERT\_MASK command is used to mask the  $\overline{\text{SMBA}}$  when a specific fault or warning has occurred. Each bit corresponds to one of the 14 different analog and digital faults or warnings that would normally result in an SMBA being asserted. When the corresponding bit is high, that condition does not cause the SMBA to be asserted. If that condition occurs, the registers where that condition is captured is still updated (STATUS registers, DIAGNOSTIC\_WORD) and the external MOSFET gate control is still active (VIN\_OV\_FAULT, VIN\_UV\_FAULT, IIN/PFET\_FAULT, CB\_FAULT, OT\_FAULT). This register is accessed with the PMBus read/write word protocol. The VIN UNDERVOLTAGE FAULT flag defaults to 1 on startup; however, it clears to 0 after the first time the input voltage increases above the resistor-programmed UVLO threshold.

**Table 30. ALERT\_MASK Definitions**

BIT	NAME	DEFAULT
15	VOUT UNDERVOLTAGE WARN	0
14	IIN LIMIT warn	0
13	VIN UNDERVOLTAGE WARN	0
12	VIN OVERVOLTAGE WARN	0
11	$\overline{\text{POWER GOOD}}$	1
10	OVERTEMP WARN	0
9	Not used	0
8	OVERPOWER LIMIT WARN	0
7	Not used	0
6	EXT_MOSFET_SHORTED	0
5	VIN UNDERVOLTAGE FAULT	1
4	VIN OVERVOLTAGE FAULT	0
3	IIN/PFET FAULT	0
2	OVERTEMPERATURE FAULT	0
1	CML FAULT (communications fault)	0
0	CIRCUIT BREAKER FAULT	0



### 8.5.3.10 MFR\_SPECIFIC\_09: DEVICE\_SETUP (D9h)

The DEVICE\_SETUP command can be used to override pin settings to define operation of the LM5066 under host control. This command is accessed with the PMBus read/write byte protocol.

**Table 31. DEVICE\_SETUP Byte Format**

BIT	NAME	MEANING
7:5	Retry setting	111 = Unlimited retries 110 = Retry 16 times 101 = Retry 8 times 100 = Retry 4 times 011 = Retry 2 times 010 = Retry 1 time 001 = No retries 000 = Pin configured retries
4	Current limit setting	0 = High setting (50 mV) 1 = Low setting (26 mV)
3	CB/CL ratio	0 = Low setting (1.9x) 1 = High setting (3.9x)
2	Current limit configuration	0 = Use pin settings 1 = Use SMBus settings
1	Unused	
0	Unused	

To configure the current limit setting with this register, it is necessary to set the current limit configuration bit (2) to 1 to enable the register to control the current limit function and the current limit setting bit (4) to select the desired setting. If the current limit configuration bit is not set, the pin setting is used. The circuit breaker to current limit ratio value is set by the CB / CL ratio bit (3). Note that if the current limit configuration is changed, the samples for the telemetry averaging function are not reset. TI recommends to allow a full averaging update period with the new current limit configuration before processing the averaged data.

Note that the current limit configuration affects the coefficients used for the current and power measurements and warning registers.

### 8.5.3.11 MFR\_SPECIFIC\_10: BLOCK\_READ (DAh)

The BLOCK\_READ command concatenates the DIAGNOSTIC\_WORD with input and output telemetry information (IIN, VOUT, VIN, PIN) as well as TEMPERATURE to capture all of the operating information of the LM5066 in a single SMBus transaction. The block is 12-bytes long with telemetry information being sent out in the same manner as if an individual READ\_XXX command had been issued (shown in [Table 32](#)). The contents of the block read register are updated every clock cycle (85 ns) as long as the SMBus interface is idle. BLOCK\_READ also specifies that the VIN, VOUT, IIN and PIN measurements are all time-aligned. If separate commands are used, individual samples may not be time-aligned because of the delay necessary for the communication protocol.

The block read command is read through the PMBus block read protocol.

**Table 32. BLOCK\_READ Register Format**

Byte Count (Always 12)	(1 Byte)
DIAGNOSTIC_WORD	(1 word)
IIN_BLOCK	(1 word)
VOUT_BLOCK	(1 word)
VIN_BLOCK	(1 word)
PIN_BLOCK	(1 word)
TEMP_BLOCK	(1 word)

**8.5.3.12 MFR\_SPECIFIC\_11: SAMPLES\_FOR\_AVG (DBh)**

The SAMPLES\_FOR\_AVG command is a manufacturer-specific command for setting the number of samples used in computing the average values for IIN, VIN, VOUT, and PIN. The decimal equivalent of the AVGN nibble is the power of 2 samples, (for example, AVGN = 12 equates to N = 4096 samples used in computing the average). The LM5066 supports average numbers of 1, 2, 4, 8, 16, 32, 64, 128, 256, 512, 1024, 2048, and 4096. The SAMPLES\_FOR\_AVG number applies to average values of IIN, VIN, VOUT, and PIN simultaneously. The LM5066 uses simple averaging. This is accomplished by summing consecutive results up to the number programmed, then dividing by the number of samples. Averaging is calculated according to the following sequence:

$$Y = (X_{(N)} + X_{(N-1)} + \dots + X_{(0)}) / N \quad (1)$$

When the averaging has reached the end of a sequence (for example, 4096 samples are averaged), then a whole new sequence begins that requires the same number of samples (in this example, 4096) to be taken before the new average is ready.

**Table 33. SAMPLES\_FOR\_AVG Register**

AVGN (b)	$N = 2^{AVGN}$	Averaging / Register Update Period (ms)
0000b	1	1
0001b	2	2
0010b	4	4
0011b	8	8
0100b	16	16
0101b	32	32
0110b	64	64
0111b	128	128
1000b	256	256
1001b	512	512
1010b	1024	1024
1011b	2048	2048
1100b	4096	4096

Note that a change in the SAMPLES\_FOR\_AVG register is not reflected in the average telemetry measurements until the present averaging interval has completed. The default setting for AVGN is 1000b, or 08h.

The SAMPLES\_FOR\_AVG register is accessed with the PMBus read/write byte protocol.

**Table 34. SAMPLES\_FOR\_AVG Register**

VALUE	MEANING	DEFAULT
00h to 0Ch	Exponent (AVGN) for number of samples to average over	00h

#### 8.5.3.13 MFR\_SPECIFIC\_12: READ\_AVG\_VIN (DCh)

The READ\_AVG\_VIN command reports the 12-bit ADC measured input average voltage. If the data is not ready, the returned value is the previous averaged data. However, if there is no previously averaged data, the default value (0000h) is returned. This data is read with the PMBus read word protocol. This register should use the coefficients shown in [Table 42](#).

**Table 35. READ\_AVG\_VIN Register**

VALUE	MEANING	DEFAULT
0000h to 0FFFh	Average of measured values for input voltage	0000h

#### 8.5.3.14 MFR\_SPECIFIC\_13: READ\_AVG\_VOUT (DDh)

The READ\_AVG\_VOUT command reports the 12-bit ADC measured current sense average voltage. The returned value is the default value (0000h) or previous data when the average data is not ready. This data is read with the PMBus read word protocol. This register should use the coefficients shown in [Table 42](#).

**Table 36. READ\_AVG\_VOUT Register**

VALUE	MEANING	DEFAULT
0000h to 0FFFh	Average of measured values for output voltage	0000h

#### 8.5.3.15 MFR\_SPECIFIC\_14: READ\_AVG\_IIN (DEh)

The READ\_AVG\_IIN command reports the 12-bit ADC measured current sense average voltage. The returned value is the default value (0000h) or previous data when the average data is not ready. This data is read with the PMBus read word protocol. This register should use the coefficients shown in [Table 42](#).

**Table 37. READ\_AVG\_IIN Register**

VALUE	MEANING	DEFAULT
0000h to 0FFFh	Average of measured values for current sense voltage	0000h

### 8.5.3.16 MFR\_SPECIFIC\_15: READ\_AVG\_PIN

The READ\_AVG\_PIN command reports the upper 12-bits of the average VIN × IIN product as measured by the 12-bit ADC. The user can read the default value (0000h) or previous data when the average data is not ready. This data is read with the PMBus read word protocol. This register should use the coefficients shown in [Table 42](#).

**Table 38. READ\_AVG\_PIN Register**

VALUE	MEANING	DEFAULT
0000h to 0FFFh	Average of measured value for input voltage x input current sense voltage	0000h

### 8.5.3.17 MFR\_SPECIFIC\_16: BLACK\_BOX\_READ (E0h)

The BLACK BOX READ command retrieves the BLOCK READ data which was latched in at the first assertion of SMBA by the LM5066. It is re-armed with the CLEAR\_FAULTS command. It is the same format as the BLOCK\_READ registers, the only difference is that its contents are updated with the SMBA edge rather than the internal clock edge. This command is read with the PMBus block read protocol.

### 8.5.3.18 MFR\_SPECIFIC\_17: READ\_DIAGNOSTIC\_WORD (E1h)

The READ\_DIAGNOSTIC\_WORD PMBus command reports all of the LM5066 faults and warnings in a single read operation. The standard response to the assertion of the SMBA signal of issuing multiple read requests to various status registers can be replaced by a single word read to the DIAGNOSTIC\_WORD register. The READ\_DIAGNOSTIC\_WORD command should be read with the PMBus read word protocol. The READ\_DIAGNOSTIC\_WORD is also returned in the BLOCK\_READ, BLACK\_BOX\_READ, and AVG\_BLOCK\_READ operations.

**Table 39. DIAGNOSTIC\_WORD Format**

BIT	MEANING	DEFAULT
15	VOUT_UNDERVOLTAGE_WARN	0
14	IIN_OP_WARN	0
13	VIN_UNDERVOLTAGE_WARN	0
12	VIN_OVERVOLTAGE_WARN	0
11	POWER_GOOD	1
10	OVER_TEMPERATURE_WARN	0
9	TIMER_LATCHED_OFF	0
8	EXT_MOSFET_SHORTED	0
7	CONFIG_PRESET	1
6	DEVICE_OFF	1
5	VIN_UNDERVOLTAGE_FAULT	1
4	VIN_OVERVOLTAGE_FAULT	0
3	IIN_OC/PFET_OP_FAULT	0
2	OVER_TEMPERATURE_FAULT	0
1	CML_FAULT	0
0	CIRCUIT_BREAKER_FAULT	0

### 8.5.3.19 MFR\_SPECIFIC\_18: AVG\_BLOCK\_READ (E2h)

The AVG\_BLOCK\_READ command concatenates the DIAGNOSTIC\_WORD with input and output average telemetry information (IIN, VOUT, VIN, and PIN) and temperature to capture all of the operating information of the part in a single PMBus transaction. The block is 12-bytes long with telemetry information sent out in the same manner as if an individual READ\_AVG\_XXX command had been issued (shown in [Table 40](#)). AVG\_BLOCK\_READ also specifies that the VIN, VOUT, and IIN measurements are all time-aligned whereas there is a chance they may not be if read with individual PMBus commands. To read data from the AVG\_BLOCK\_READ command, use the SMBus block read protocol.

**Table 40. AVG\_BLOCK\_READ Register Format**

Byte Count (Always 12)	(1 Byte)
DIAGNOSTIC_WORD	(1 word)
AVG_IIN	(1 word)
AVG_VOUT	(1 word)
AVG_VIN	(1 word)
AVG_PIN	(1 word)
TEMPERATURE	(1 word)

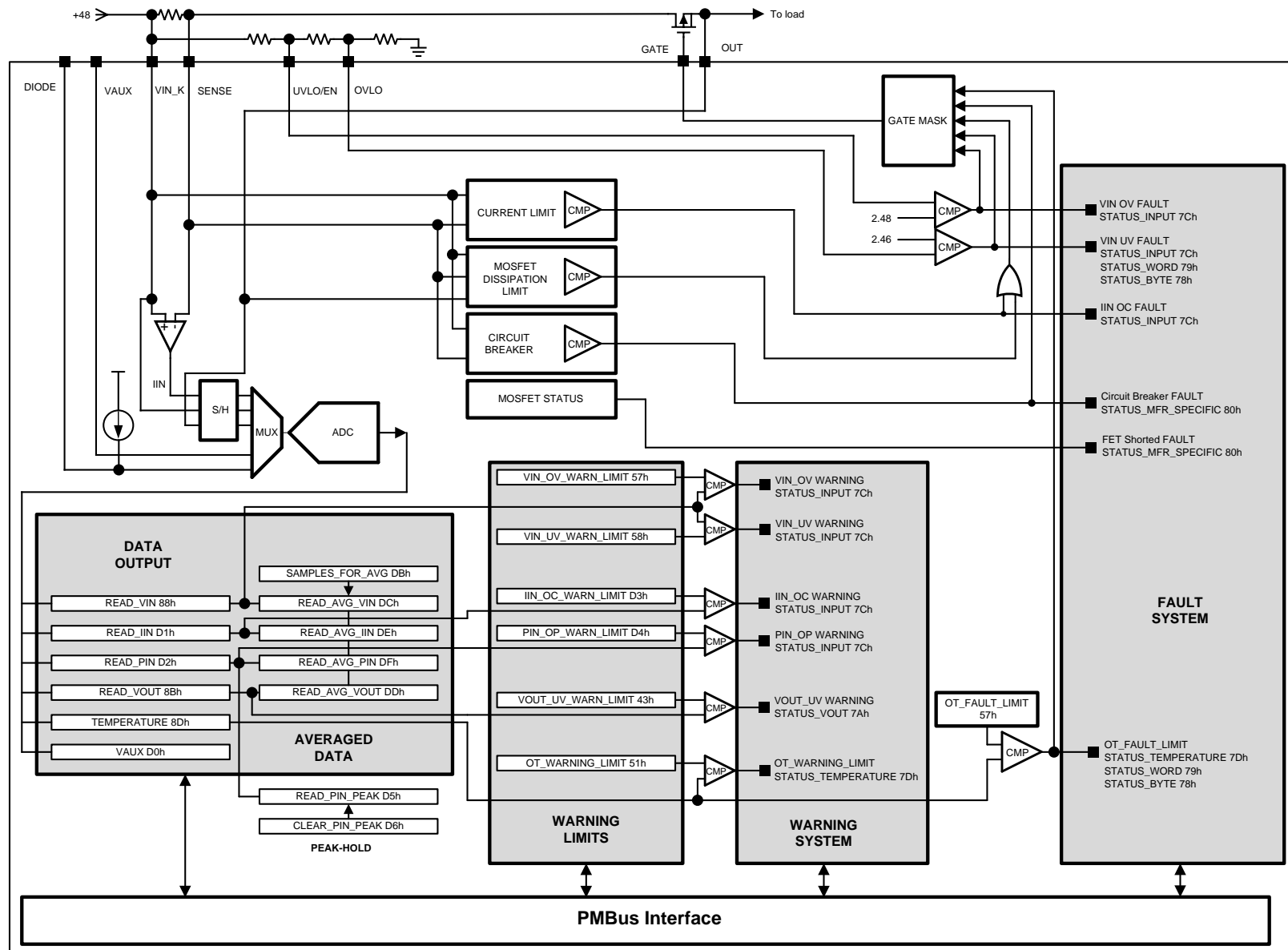


Figure 26. Command / Register and Alert Flow Diagram

### 8.5.4 Reading and Writing Telemetry Data and Warning Thresholds

All measured telemetry data and user-programmed warning thresholds are communicated in 12-bit two's complement binary numbers read or written in 2-byte increments conforming to the direct format as described in section 8.3.3 of the *PMBus Power System Management Protocol Specification 1.1* (Part II). The organization of the bits in the telemetry or warning word is shown in [Table 41](#), where Bit\_11 is the most significant bit (MSB) and Bit\_0 is the least significant bit (LSB). The decimal equivalent of all warning and telemetry words are constrained to be within the range of 0 to 4095, with the exception of temperature. The decimal equivalent value of the temperature word ranges from 0 to 65535.

**Table 41. Telemetry and Warning Word Format**

Byte	B7	B6	B5	B4	B3	B2	B1	B0
1	Bit_7	Bit_6	Bit_5	Bit_4	Bit_3	Bit_2	Bit_1	Bit_0
2	0	0	0	0	Bit_11	Bit_10	Bit_9	Bit_8

Conversion from direct format to real-world dimensions of current, voltage, power, and temperature is accomplished by determining appropriate coefficients as described in section 7.2.1 of the *PMBus Power System Management Protocol Specification 1.1* (Part II). According to this specification, the host system converts the values received into a reading of volts, amperes, watts, or other units using the following relationship:

$$x = \frac{1}{m} (Y \times 10^{-R} - b)$$

where

- **X** = The calculated real-world value (volts, amps, watt, and so forth)
- **m** = The slope coefficient
- **Y** = A 2-byte two's complement integer received from device
- **b** = The offset, a 2-byte two's complement integer
- **R** = The exponent, a 1-byte two's complement integer (2)

R is only necessary in systems where m is required to be an integer (for example, where m may be stored in a register in an integrated circuit). In those cases, R only needs to be large enough to yield the desired accuracy.

**Table 42. Telemetry and Warning Conversion Coefficients**

Commands	Condition	Format	Number of Data Bytes	m	b	R	Unit
READ_VIN, READ_AVG_VIN VIN_OV_WARN_LIMIT VIN_UV_WARN_LIMIT		DIRECT	2	4587	-1200	-2	V
READ_VOUT, READ_AVG_VOUT VOUT_UV_WARN_LIMIT		DIRECT	2	4587	-2400	-2	V
READ_VAUX		DIRECT	2	13793	0	-1	V
READ_IIN, READ_AVG_IIN <sup>(1)</sup> MFR_IIN_OC_WARN_LIMIT	CL = VDD	DIRECT	2	10753	-1200	-2	A
READ_IN, READ_AVG_IN <sup>(1)</sup> MFR_IN_OC_WARN_LIMIT	CL = GND	DIRECT	2	5405	-600	-2	A
READ_PIN, READ_AVG_PIN <sup>(1)</sup> , READ_PIN_PEAK MFR_PIN_OP_WARN_LIMIT	CL = VDD	DIRECT	2	1204	-6000	-3	W
READ_PIN, READ_AVG_PIN <sup>(1)</sup> , READ_PIN_PEAK MFR_PIN_OP_WARN_LIMIT	CL = GND	DIRECT	2	605	-8000	-3	W
READ_TEMPERATURE_1 OT_WARN_LIMIT OT_FAULT_LIMIT		DIRECT	2	16000	0	-3	°C

(1) The coefficients relating to current/power measurements and warning thresholds shown are normalized to a sense resistor ( $R_S$ ) value of 1 mΩ. In general, the current or power coefficients can be calculated using the relationships shown in [Table 43](#).

**Table 43. Current and Power Telemetry and Warning Conversion Coefficients ( $R_S$  in  $m\Omega$ )**

Commands	Condition	Format	Number of Data Bytes	m	b	R	Unit
READ_IIN, READ_AVG_IIN <sup>(1)</sup> MFR_IIN_OC_WARN_LIMIT	CL = VDD	DIRECT	2	$10753 \times R_S$	-1200	-2	A
READ_IIN, READ_AVG_IIN <sup>(1)</sup> MFR_IIN_OC_WARN_LIMIT	CL = GND	DIRECT	2	$5405 \times R_S$	-600	-2	A
READ_PIN, READ_AVG_PIN <sup>(1)</sup> , READ_PIN_PEAK MFR_PIN_OP_WARN_LIMIT	CL = VDD	DIRECT	2	$1204 \times R_S$	-6000	-3	W
READ_PIN, READ_AVG_PIN <sup>(1)</sup> , READ_PIN_PEAK MFR_PIN_OP_WARN_LIMIT	CL = GND	DIRECT	2	$605 \times R_S$	-8000	-3	W

(1) The coefficients relating to current/power measurements and warning thresholds shown are normalized to a sense resistor ( $R_S$ ) value of 1  $m\Omega$ . In general, the current or power coefficients can be calculated using the relationships shown in [Table 43](#).

Take care to adjust the exponent coefficient, R, such that the value of m remains within the range of -32768 to 32767. For example, if a 5- $m\Omega$  sense resistor is used, the correct coefficients for the READ\_IIN command with CL = VDD would be  $m = 5359$ ,  $b = -120$ ,  $R = -1$ .

### 8.5.5 Determining Telemetry Coefficients Empirically With Linear Fit

The coefficients for telemetry measurements and warning thresholds presented in [Table 42](#) are adequate for the majority of applications. Current and power coefficients are dependent on  $R_{SNS}$  and must be calculated per application. [Table 43](#) provides the equations necessary for calculating the current and power coefficients for the general case. These were obtained by characterizing multiple units over temperature and are considered optimal. The small signal nature of the current and power measurement makes it more susceptible to PCB parasitics than other telemetry channels. In addition there is some variation in  $R_{SNS}$  and the LM5066 itself. This may cause slight variations in the optimum coefficients (m, b, and R) for converting from digital values to real world values (for example, amps and watts). To maximize telemetry accuracy, the coefficients can be calibrated for a given board using empirical methods. This would determine optimum coefficients to cancel out the error from PCB parasitics,  $R_{SNS}$  variation, and the variation of LM5066. It is not considered good practice to take measurements on one board and use the computed coefficients for all units in production, because the  $R_{SNS}$  and the LM5066 on a given board are randomly chosen and do not represent a statistical mean. It is recommended to either calibrate all boards individually or to use the recommended coefficients from [Table 43](#).

The optimal current coefficients for a given board can be determined using the following method:

1. While the LM5066 is in normal operation, measure the voltage across the sense resistor using Kelvin test points and a high accuracy DVM while controlling the load current. Record the integer value returned by the READ\_AVG\_IIN command (with the SAMPLES\_FOR\_AVG set to a value greater than 0) for two or more voltages across the sense resistor. For best results, the individual READ\_AVG\_IIN measurements should span nearly the full-scale range of the current (for example, voltage across  $R_{SNS}$  of 5 and 20 mV).
2. Convert the measured voltages to currents by dividing them by the value of  $R_{SNS}$ . For best accuracy, the value of  $R_{SNS}$  should be measured. [Table 44](#) assumes a sense resistor value of 5  $m\Omega$ .

**Table 44. Measurements for Linear Fit Determination of Current Coefficients**

Measured Voltage Across $R_S$ (V)	Measured Current (A)	READ_AVG_IIN (Integer Value)
0.005	1	568
0.01	2	1108
0.02	4	2185

3. Using the spreadsheet (or a math program) determine the slope and the y-intercept of the data returned by the READ\_AVG\_IIN command versus the measured current. For the data shown in [Table 42](#):
  - READ\_AVG\_IN value = slope  $\times$  (Measured Current) + (y-intercept)
  - Slope = 538.9
  - Y-intercept = 29.5
4. To determine the m coefficient, simply shift the decimal point of the calculated slope to arrive at integer with a suitable number of significant digits for accuracy (typically 4) while staying with the range of -32768 to 32767. This shift in the decimal point equates to the R coefficient. For the slope value shown in the previous



step, the decimal point would be shifted to the right once hence  $R = -1$ .

5. After the  $R$  coefficient has been determined, the  $b$  coefficient is found by multiplying the y-intercept by  $10^{-R}$ . In this case the value of  $b = 295$ .

– Calculated current coefficients:

–  $m = 5389$

–  $b = 295$

–  $R = -1$

$$x = \frac{1}{m} (Y \times 10^{-R} - b)$$

where

- $X$  = The calculated real-world value (volts, amps, watts, temperature)
- $m$  = The slope coefficient, is the 2-byte, two's complement integer
- $Y$  = A 2-byte two's complement integer received from device
- $b$  = The offset, a 2-byte two's complement integer
- $R$  = The exponent, a 1-byte two's complement integer (3)

This procedure can be repeated to determine the coefficients of any telemetry channel simply by substituting measured current for some other parameter (for example, power or voltage).

### 8.5.6 Writing Telemetry Data

There are several locations that require writing data if their optional usage is desired. Use the same coefficients previously calculated for your application, and apply them using this method as prescribed by the PMBus revision section 7.2.2 *Sending a Value*

$$Y = (mX + b) \times 10^R$$

where

- $X$  = The calculated real-world value (volts, amps, watts, temperature)
- $m$  = The slope coefficient is the 2-byte, two's complement integer
- $Y$  = A 2-byte two's complement integer received from device
- $b$  = The offset, a 2-byte two's complement integer
- $R$  = The exponent, a 1-byte two's complement integer (4)

### 8.5.7 PMBus Address Lines (ADR0, ADR1, ADR2)

The three address lines are to be set high (connect to VDD), low (connect to GND), or open to select one of 27 addresses for communicating with the LM5066. Table 45 depicts 7-bit addresses (eighth bit is read/write bit).

**Table 45. Device Addressing**

ADR2	ADR1	ADR0	DECODED ADDRESS
Z	Z	Z	40h
Z	Z	0	41h
Z	Z	1	42h
Z	0	Z	43h
Z	0	0	44h
Z	0	1	45h
Z	1	Z	46h
Z	1	0	47h
Z	1	1	10h
0	Z	Z	11h
0	Z	0	12h
0	Z	1	13h
0	0	Z	14h

**Table 45. Device Addressing (continued)**

ADR2	ADR1	ADR0	DECODED ADDRESS
0	0	0	15h
0	0	1	16h
0	1	Z	17h
0	1	0	50h
0	1	1	51h
1	Z	Z	52h
1	Z	0	53h
1	Z	1	54h
1	0	Z	55h
1	0	0	56h
1	0	1	57h
1	1	Z	58h
1	1	0	59h
1	1	1	5Ah

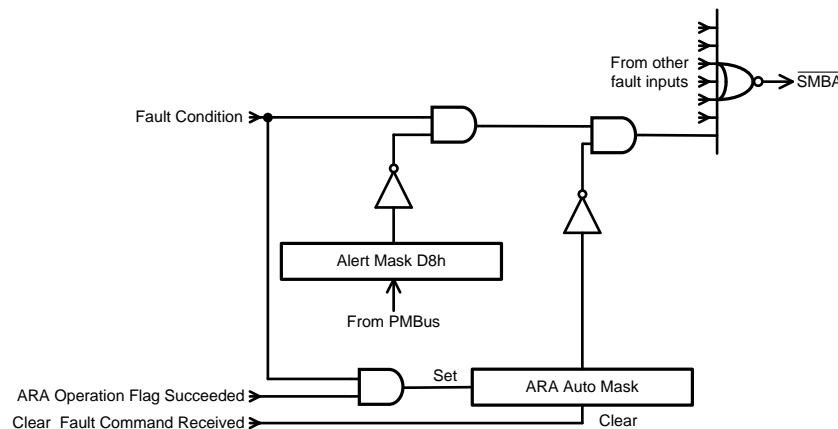
### 8.5.8 $\overline{\text{SMBA}}$ Response

The  $\overline{\text{SMBA}}$  effectively has two masks:

- The alert mask register at D8h
- The ARA automatic mask.

The ARA automatic mask is a mask that is set in response to a successful ARA read. An ARA read operation returns the PMBus address of the lowest addressed part on the bus that has its  $\overline{\text{SMBA}}$  asserted. A successful ARA read means that this part was the one that returned its address. When a part responds to the ARA read, it releases the  $\overline{\text{SMBA}}$  signal. When the last part on the bus that has an  $\overline{\text{SMBA}}$  set has successfully reported its address, the  $\overline{\text{SMBA}}$  signal de-asserts.

The way that the LM5066 releases the  $\overline{\text{SMBA}}$  signal is by setting the ARA automatic mask bit for all fault conditions present at the time of the ARA read. All status registers will still the fault condition, but it does not generate a  $\overline{\text{SMBA}}$  on that fault again until the ARA automatic mask is cleared by the host issuing a CLEAR\_FAULTS command to this part. This should be done as a routine part of servicing an  $\overline{\text{SMBA}}$  condition on a part, even if the ARA read is not done. Figure 27 depicts a schematic version of this flow.


**Figure 27. Typical Flow Schematic for  $\overline{\text{SMBA}}$  Fault**

## 9 Application and Implementation

### 9.1 Application Information

The LM5066 is a hotswap with a PMBus interface that provides current, voltage, power, and status information to the host. As a hotswap, it is used to manage inrush current and protect in case of faults.

When designing a hotswap, three key scenarios should be considered:

- Start-up
- Output of a hotswap is shorted to ground when the hotswap is on. This is often referred to as a hot-short.
- Powering-up a board when the output and ground are shorted. This is usually called a start-into-short.

All of these scenarios place a lot of stress on the hotswap MOSFET and take special care when designing the hotswap circuit to keep the MOSFET within its SOA. Detailed design examples are provided in the following sections. Solving all of the equations by hand is cumbersome and can result in errors. Instead, TI recommends to use the LM5066 Design Calculator provided on the [product page](#).

### 9.2 Typical Application

#### 9.2.1 48-V, 10-A PMBus Hotswap Design

This section describes the design procedure for a 48-V, 10-A PMBUS hotswap design.

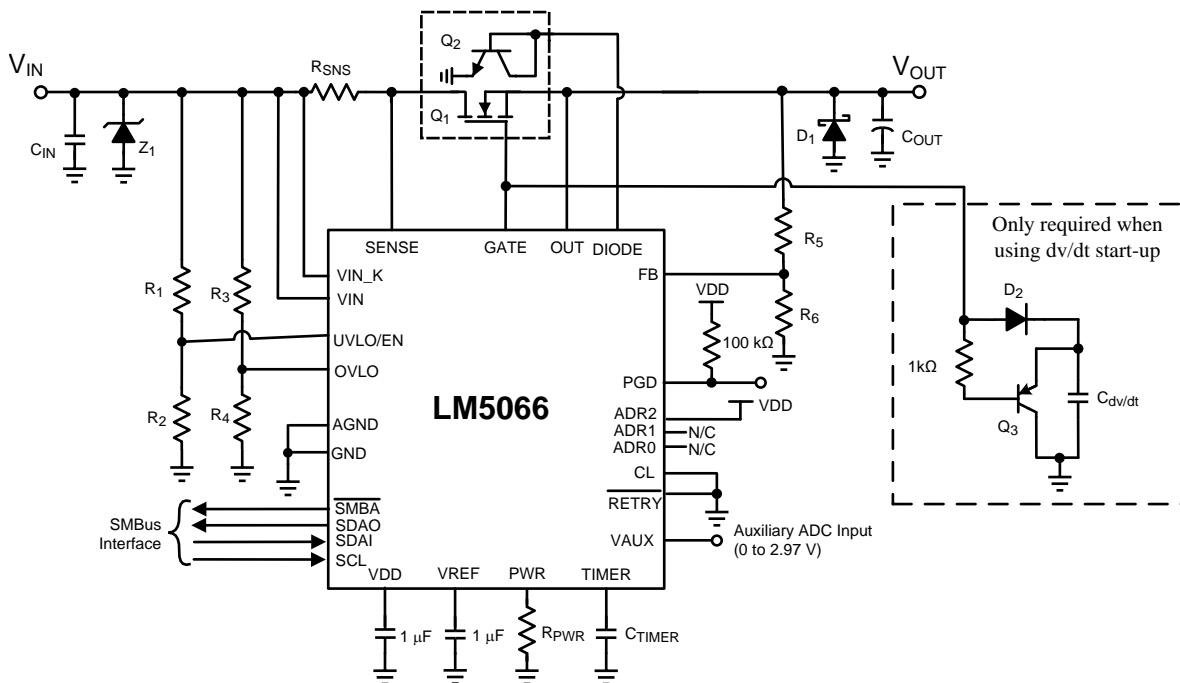


Figure 28. Typical Application Circuit

#### 9.2.1.1 Design Requirements

Table 46 summarizes the design parameters that must be known before designing a hotswap circuit. When charging the output capacitor through the hotswap MOSFET, the FET's total energy dissipation equals the total energy stored in the output capacitor ( $1 / 2CV^2$ ). Thus, both the input voltage and output capacitance determine the stress experienced by the MOSFET. The maximum load current drives the current limit and sense resistor selection. In addition, the maximum load current, maximum ambient temperature, and thermal properties of the PCB ( $R_{\theta CA}$ ) drive the selection of the MOSFET  $R_{DS(ON)}$  and the number of MOSFETs used.  $R_{\theta CA}$  is a strong function of the layout and the amount of copper that is connected to the drain of the MOSFET. Note that the drain is not electrically connected to the ground plane, and thus the ground plane cannot be used to help with heat dissipation. This design example uses  $R_{\theta CA} = 30^\circ\text{C/W}$ , which is similar to the LM5066 EVM. It is a good practice to measure the  $R_{\theta CA}$  of a given design after the physical PCBs are available.

### Typical Application (continued)

Finally, it is important to understand what test conditions the hotswap needs to pass. In general, a hotswap is designed to pass both a hot-short and a start into a short, which are described in the previous section. Also, TI recommends to keep the load OFF until the hotswap is fully powered-up. Starting the load early causes unnecessary stress on the MOSFET and could lead to MOSFET failures or a failure to start-up.

**Table 46. Design Parameters**

PARAMETER	EXAMPLE VALUE
Input voltage range	40 to 60 V
Maximum load current	10 A
Maximum output capacitance of the hotswap	220 μF
Maximum ambient temperature	85°C
MOSFET R <sub>θCA</sub> (function of layout)	30°C/W
Pass hot-short on output?	Yes
Pass a start into short?	Yes
Is the load off until PG asserted?	Yes
Can a hot board be plugged back in?	Yes

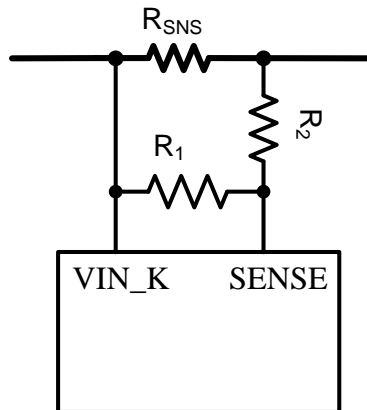
#### 9.2.1.2 Detailed Design-In Procedure

##### 9.2.1.2.1 Select R<sub>SNS</sub> and CL Setting

LM5066 can be used with a V<sub>CL</sub> of 26 or 50 mV. Using the 26-mV threshold results in a lower R<sub>SNS</sub> and lower I<sup>2</sup>R losses, but using the 50-mV threshold would result in better current and power monitoring accuracy along with a lower minimum power limit. The 26-mV option is selected for this design by connecting the CL pin directly to V<sub>DD</sub>. TI recommends to target a current limit that is at least 10% above the maximum load current to account for the tolerance of the LM5066 current limit. Targeting a current limit of 11 A, the sense resistor can be computed as follows:

$$R_{SNS,CLC} = \frac{I_{LIM}}{V_{CL}} = \frac{26mV}{11A} = 2.36m\Omega \tag{5}$$

Typically, sense resistors are only available in discrete values. If a precise current limit is desired, a sense resistor along with a resistor divider can be used as shown in Figure 29.



**Figure 29. SENSE Resistor Divider**

The next larger available sense resistor should be chosen (3 mΩ in this case). The ratio of R<sub>1</sub> and R<sub>2</sub> can be computed as follows:

$$\frac{R_1}{R_2} = \frac{R_{SNS,CLC}}{R_{SNS} - R_{SNS,CLC}} = \frac{2.36m\Omega}{3m\Omega - 2.36m\Omega} = 3.69 \tag{6}$$

Note that the SENSE pin pulls 25  $\mu$ A of current, which creates an offset across  $R_2$ . TI recommends to keep  $R_2$  below 10  $\Omega$  to reduce the offset that this introduces. In addition, the 1% resistors add to the current monitoring error. Finally, if the resistor divider approach is used, the user should compute the effective sense resistance ( $R_{SNS,EFF}$ ) using [Equation 7](#) and use that in all equations instead of  $R_{SNS}$ .

$$R_{SNS,EFF} = \frac{R_{SNS} \times R_1}{R_1 + R_2} \quad (7)$$

Note that for many applications, a precise current limit may not be required. In that case, it is simpler to pick the next smaller available sense resistor. For this application, a 2-m $\Omega$  resistor can be used for a 13-A current limit.

### 9.2.1.2.2 Selecting the Hotswap FETs

It is critical to select the correct MOSFET for a hotswap design. The device must meet the following requirements:

- The  $V_{DS}$  rating should be sufficient to handle the maximum system voltage along with any ringing caused by transients. For most 48-V systems, a 100-V FET is a good choice.
- The SOA of the FET should be sufficient to handle all usage cases: start-up, hot-short, and start into short.
- $R_{DS(ON)}$  should be sufficiently low to maintain the junction and case temperature below the maximum rating of the FET. In fact, TI recommends to keep the steady-state FET temperature below 125°C to allow margin to handle transients.
- Maximum continuous current rating should be above the maximum load current and the pulsed-drain current must be greater than the current threshold of the circuit breaker. Most MOSFETs that pass the first three requirements also pass these two.
- A  $V_{GS}$  rating of  $\pm 20$  V is required because the LM5066 can pull up the gate as high as 16 V above source.

For this design, the PSMN4R8-100BSE was selected for its low  $R_{DS(ON)}$  and superior SOA. After selecting the MOSFET, the maximum steady-state case temperature can be computed as follows:

$$T_{C,MAX} = T_{A,MAX} + R_{\theta CA} \times I_{LOAD,MAX}^2 \times R_{DS(ON)}(T_J) \quad (8)$$

Note that the  $R_{DS(ON)}$  is a strong function of junction temperature, which for most D2PACK MOSFETs is very close to the case temperature. A few iterations of the previous equations may be necessary to converge on the final  $R_{DS(ON)}$  and  $T_{C,MAX}$  value. According to the PSMN4R8-100BSE data sheet, it's  $R_{DS(ON)}$  doubles at 110°C. [Equation 9](#) uses this  $R_{DS(ON)}$  value to compute the  $T_{C,MAX}$ . Note that the computed  $T_{C,MAX}$  is close to the junction temperature assumed for  $R_{DS(ON)}$ . Thus, no further iterations are necessary.

$$T_{C,MAX} = 85^\circ\text{C} + 30^\circ\frac{\text{C}}{\text{W}} \times (10\text{A})^2 \times (2 \times 4.8\text{m}\Omega) = 114^\circ\text{C} \quad (9)$$

### 9.2.1.2.3 Select Power Limit

In general, a lower power limit setting is preferred to reduce the stress on the MOSFET. However, when the LM5066 is set to a very-low power limit setting, it has to regulate the FET current and hence the voltage across the sense resistor ( $V_{SNS}$ ) to a very-low value.  $V_{SNS}$  can be computed as shown in [Equation 10](#).

$$V_{SNS} = \frac{P_{LIM} \times R_{SNS}}{V_{DS}} \quad (10)$$

To avoid significant degradation of the power limiting, TI does not recommend a  $V_{SNS}$  of less than 4 mV. Based on this requirement, the minimum allowed power limit can be computed as follows:

$$P_{LIM,MIN} = \frac{V_{SNS,MIN} \times V_{IN,MAX}}{R_{SNS}} = \frac{4\text{mV} \times 60\text{V}}{2\text{m}\Omega} = 120\text{W} \quad (11)$$

In most applications, the power limit can be set to  $P_{LIM,MIN}$  using [Equation 12](#). Note that the  $P_{LIM}$  of the LM5066 will have some variations vs  $V_{DS}$  of the MOSFET due to a 1.5-mV systematic offset. [Equation 12](#) sets  $R_{PWR}$  to make the actual power limit equal the programmed power limit at  $V_{IN} = V_{IN,MAX}$  and  $V_{OUT} = 0$  V.

$$\begin{aligned}
 R_{PWR} &= \frac{1.4 \times 10^5}{W} \times R_{SNS} \times (P_{LIM} - 1.5 \text{ mV} \times V_{IN,MAX} / R_{SNS}) \\
 &= \frac{1.4 \times 10^5}{W} \times 2 \text{ m}\Omega \times (120 \text{ W} - 1.5 \text{ mV} \times 60 \text{ V} / 2 \text{ m}\Omega) = 21 \text{ k}\Omega
 \end{aligned}
 \tag{12}$$

The closest available resistor should be selected. In this case, a 21-k $\Omega$  resistor was chosen.

#### 9.2.1.2.4 Set Fault Timer

The fault timer runs when the hotswap is in power limit or current limit, which is the case during start-up. Thus, the timer has to be sized large enough to prevent a time-out during start-up. If the part starts directly into current limit ( $I_{LIM} \times V_{DS} < P_{LIM}$ ), the maximum start time can be computed with [Equation 13](#).

$$t_{start,max} = \frac{C_{OUT} \times V_{IN,MAX}}{I_{LIM}}
 \tag{13}$$

For most designs (including this example),  $I_{LIM} \times V_{DS} > P_{LIM}$ , so the hotswap starts in power limit and transitions into current limit. In that case, the maximum start time can be computed as in [Equation 14](#).

$$t_{start,max} = \frac{C_{OUT}}{2} \times \left[ \frac{V_{IN,MAX}^2}{P_{LIM}} + \frac{P_{LIM}}{I_{LIM}^2} \right] = \frac{220 \mu\text{F}}{2} \times \left[ \frac{(60 \text{ V})^2}{120 \text{ W}} + \frac{120 \text{ W}}{(13 \text{ A})^2} \right] = 3.38 \text{ ms}
 \tag{14}$$

Note that the above start-time is based on typical current limit and power limit values. To ensure that the timer never times out during start-up, TI recommends to set the fault time ( $t_{flt}$ ) to be  $2 \times t_{start,max}$  or 6.76 ms. This accounts for the variation in power limit, timer current, and timer capacitance. Thus,  $C_{TIMER}$  can be computed as follows:

$$C_{TIMER} = \frac{t_{flt} \times i_{timer}}{V_{timer}} = \frac{6.76 \text{ ms} \times 75 \mu\text{A}}{3.9 \text{ V}} = 130 \text{ nF}
 \tag{15}$$

The next largest standards capacitor value for  $C_{TIMER}$  is chosen as 150 nF. After  $C_{TIMER}$  is chosen, the actual programmed fault time can be computed as follows:

$$t_{flt} = \frac{C_{TIMER} \times V_{timer}}{i_{timer}} = \frac{150 \text{ nF} \times 3.9 \text{ V}}{75 \mu\text{A}} = 7.8 \text{ ms}
 \tag{16}$$

#### 9.2.1.2.5 Check MOSFET SOA

When the power limit and fault timer are chosen, it is critical to check that the FET stays within its SOA during all test conditions. During a hot-short the circuit breaker trips and the LM5066 restarts into power limit until the timer runs out. In the worst case, the MOSFET's  $V_{DS}$  equals  $V_{IN,MAX}$ ,  $I_{DS}$  equals  $P_{LIM} / V_{IN,MAX}$  and the stress event lasts for  $t_{flt}$ . For this design example, the MOSFET has 60 V, 2 A across it for 7.8 ms.

Based on the SOA of the PSMN4R8-100BSE, it can handle 60 V, 30 A for 1 ms and it can handle 60 V, 6 A for 10 ms. For 7.8 ms, the SOA can be extrapolated by approximating SOA versus time as a power function as shown below:

$$\begin{aligned}
 I_{SOA}(t) &= a \times t^m \\
 m &= \frac{\ln(I_{SOA}(t_1) / I_{SOA}(t_2))}{\ln(t_1 / t_2)} = \frac{\ln\left(\frac{30 \text{ A}}{6 \text{ A}}\right)}{\ln\left(\frac{1 \text{ ms}}{10 \text{ ms}}\right)} = -0.7 \\
 a &= \frac{I_{SOA}(t_1)}{t_1^m} = \frac{30 \text{ A}}{(1 \text{ ms})^{-0.7}} = 30 \text{ A} \times (\text{ms})^{0.7} \\
 I_{SOA}(7.8 \text{ ms}) &= 30 \text{ A} \times (\text{ms})^{0.7} \times (7.8 \text{ ms})^{-0.7} = 7.12 \text{ A}
 \end{aligned}
 \tag{17}$$

Note that the SOA of a MOSFET is specified at a case temperature of 25°C, while the case temperature can be much hotter during a hot-short. The SOA should be de-rated based on  $T_{C,MAX}$  using [Equation 18](#):

$$I_{SOA}(7.8\text{ ms}, T_{C,MAX}) = I_{SOA}(7.8\text{ ms}, 25^{\circ}\text{C}) \times \frac{T_{J,ABSMAX} - T_{C,MAX}}{T_{J,ABSMAX} - 25^{\circ}\text{C}} = 7.12\text{ A} \times \frac{175^{\circ}\text{C} - 114^{\circ}\text{C}}{175^{\circ}\text{C} - 25^{\circ}\text{C}} = 2.85\text{ A} \quad (18)$$

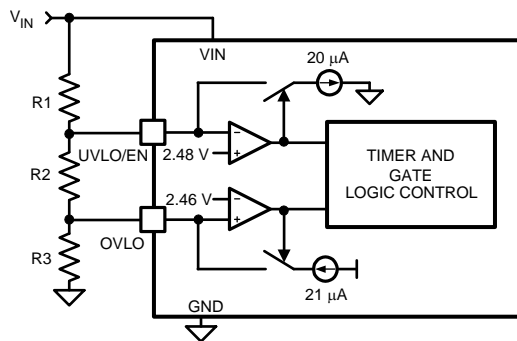
Based on this calculation, the MOSFET can handle 2.85 A, 60 V for 7.8 ms at elevated case temperature, but is only required to handle 2 A during a hot-short. Thus, there is good margin and the design is robust. In general, TI recommends that the MOSFET can handle 1.3x more than what is required during a hot-short. This provides margin to account for the variance of the power limit and fault time.

**9.2.1.2.6 Set UVLO and OVLO Thresholds**

By programming the UVLO and OVLO thresholds, the LM5066 enables the series-pass device (Q<sub>1</sub>) when the input supply voltage (V<sub>IN</sub>) is within the desired operational range. If V<sub>IN</sub> is below the UVLO threshold or above the OVLO threshold, Q<sub>1</sub> is switched off, denying power to the load. Hysteresis is provided for each threshold.

**9.2.1.2.6.1 Option A**

The configuration shown in **Figure 30** requires three resistors (R1 to R3) to set the thresholds.



**Figure 30. UVLO And OVLO Thresholds Set By R1-R3**

The procedure to calculate the resistor values is as follows:

- Choose the upper UVLO threshold (V<sub>UVH</sub>) and the lower UVLO threshold (V<sub>UVL</sub>).
- Choose the upper OVLO threshold (V<sub>OVH</sub>).
- The lower OVLO threshold (V<sub>OVL</sub>) cannot be chosen in advance in this case, but is determined after the values for R1 to R3 are determined. If V<sub>OVL</sub> must be accurately defined in addition to the other three thresholds, see Option B. The resistors are calculated as follows:

$$R1 = \frac{V_{UVH} - V_{UVL}}{20\mu\text{A}} = \frac{V_{UV(HYS)}}{20\mu\text{A}} \quad (19)$$

$$R3 = \frac{R1 \times V_{UVL} \times 2.46\text{V}}{V_{OVH} \times (V_{UVL} - 2.48\text{V})} \quad (20)$$

$$R2 = \frac{2.48\text{V} \times R1}{V_{UVL} - 2.48\text{V}} - R3 \quad (21)$$

The lower OVLO threshold is calculated from:

$$V_{OVL} = \left[ (R1 + R2) \times \left( \left( \frac{2.46\text{V}}{R3} \right) - 21\mu\text{A} \right) \right] + 2.46\text{V} \quad (22)$$

When the R1 to R3 resistor values are known, the threshold voltages and hysteresis are calculated from the following:

$$V_{UVH} = 2.48\text{V} + R1 \times \left( \frac{2.48\text{V}}{R2 + R3} + 20\mu\text{A} \right) \quad (23)$$

$$V_{UVL} = \frac{2.48\text{V} \times (R1 + R2 + R3)}{R2 + R3} \quad (24)$$

$$V_{UV(HYS)} = R1 \times 20 \mu A \quad (25)$$

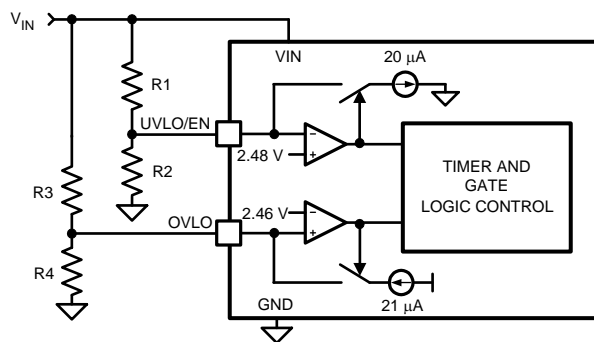
$$V_{OVH} = \frac{2.46V \times (R1 + R2 + R3)}{R3} \quad (26)$$

$$V_{OVL} = \left( \frac{2.46V}{R3} - 21 \mu A \right) \times (R1 + R2) + 2.46V \quad (27)$$

$$V_{OV(HYS)} = (R1 + R2) \times 21 \mu A \quad (28)$$

### 9.2.1.2.6.2 Option B

If all four thresholds must be accurately defined, the configuration in [Figure 31](#) can be used.



**Figure 31. Programming the Four Thresholds**

The four resistor values are calculated as follows:

- Choose the upper and lower UVLO thresholds ( $V_{UVH}$ ) and ( $V_{UVL}$ ).

$$R1 = \frac{V_{UVH} - V_{UVL}}{20 \mu A} = \frac{V_{UV(HYS)}}{20 \mu A} \quad (29)$$

$$R2 = \frac{2.48V \times R1}{V_{UVL} - 2.48V} \quad (30)$$

- Choose the upper and lower OVLO threshold ( $V_{OVH}$ ) and ( $V_{OVL}$ ).

$$R3 = \frac{V_{OVH} - V_{OVL}}{21 \mu A} \quad (31)$$

$$R4 = \frac{2.46V \times R3}{(V_{OVH} - 2.46V)} \quad (32)$$

- When the R1 to R4 resistor values are known, the threshold voltages and hysteresis are calculated from the following:

$$V_{UVH} = 2.48V + \left[ R1 \times \left( \frac{2.48V}{R2} + 20 \mu A \right) \right] \quad (33)$$

$$V_{UVL} = \frac{2.48V \times (R1 + R2)}{R2} \quad (34)$$

$$V_{UV(HYS)} = R1 \times 20 \mu A \quad (35)$$

$$V_{OVH} = \frac{2.46V \times (R3 + R4)}{R4} \quad (36)$$

$$V_{OVL} = 2.46V + \left[ R3 \times \left( \frac{2.46V}{R4} - 21 \mu A \right) \right] \quad (37)$$



### 9.2.1.2.6.3 Option C

The minimum UVLO level is obtained by connecting the UVLO/EN pin to VIN as shown in Figure 32. Q1 is switched on when the VIN voltage reaches the POR<sub>EN</sub> threshold (≈8.6 V). The OVLO thresholds are set using R3, R4. Their values are calculated using the procedure in Option B.

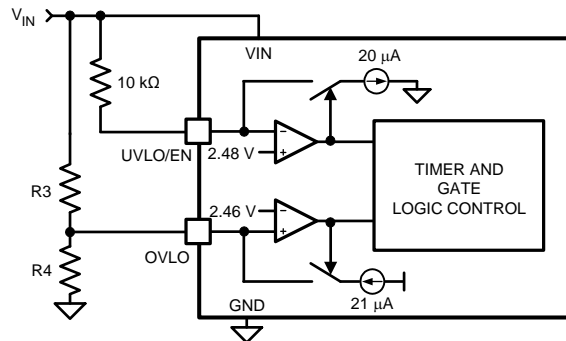


Figure 32. UVLO = POR<sub>EN</sub>

### 9.2.1.2.6.4 Option D

The OVLO function can be disabled by grounding the OVLO pin. The UVLO thresholds are set as described in Option B or Option C.

For this design example, option B was used and the following options were targeted:  $V_{UVH} = 38\text{ V}$ ,  $V_{UVL} = 35\text{ V}$ ,  $V_{OVH} = 65\text{ V}$ , and  $V_{OVL} = 63\text{ V}$ . The  $V_{UVH}$  and  $V_{OVL}$  were chosen to be 5% below or above the input voltage range of 40 to 60 V to allow for some tolerance in the thresholds of the part. R1, R2, R3, and R4 are computed using the following equations:

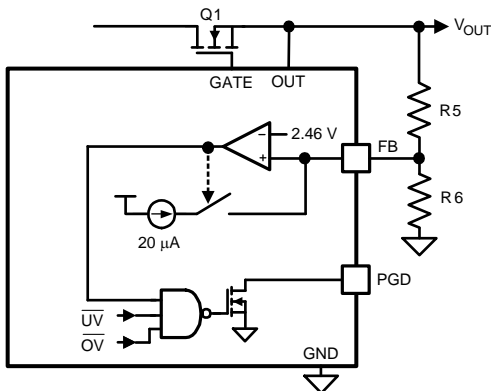
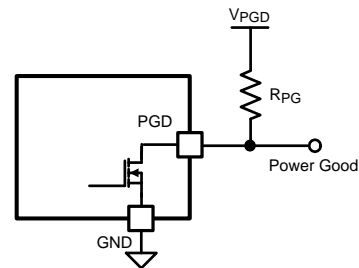
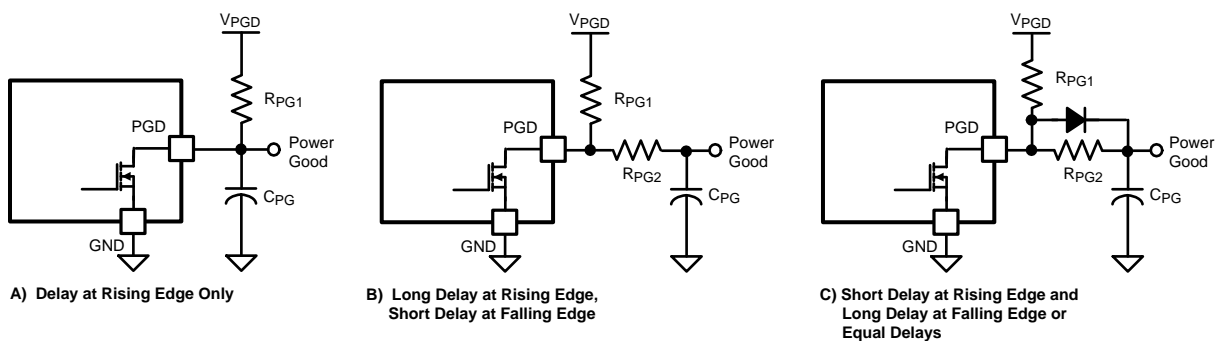
$$\begin{aligned}
 R1 &= \frac{V_{UVH} - V_{UVL}}{20\mu\text{A}} = \frac{38\text{ V} - 35\text{ V}}{20\mu\text{A}} = 150\text{ k}\Omega \\
 R2 &= \frac{2.48\text{ V} \times R1}{(V_{UVL} - 2.48\text{ V})} = \frac{2.48\text{ V} \times 150\text{ k}\Omega}{(35\text{ V} - 2.48\text{ V})} = 11.44\text{ k}\Omega \\
 R3 &= \frac{V_{OVH} - V_{OVL}}{21\mu\text{A}} = \frac{65\text{ V} - 63\text{ V}}{21\mu\text{A}} = 95.24\text{ k}\Omega \\
 R4 &= \frac{2.46\text{ V} \times R3}{(V_{OVH} - 2.46\text{ V})} = \frac{2.46\text{ V} \times 95.24\text{ k}\Omega}{(65\text{ V} - 2.46\text{ V})} = 3.75\text{ k}\Omega
 \end{aligned} \tag{38}$$

Nearest available 1% resistors should be chosen. Set  $R1 = 150\text{ k}\Omega$ ,  $R2 = 11.5\text{ k}\Omega$ ,  $R3 = 95.3\text{ k}\Omega$ , and  $R4 = 3.74\text{ k}\Omega$ .

### 9.2.1.2.7 Power Good Pin

The Power Good indicator pin (PGD) is connected to the drain of an internal N-channel MOSFET capable of sustaining 80 V in the off-state and transients up to 100 V. An external pullup resistor is required at PGD to an appropriate voltage to indicate the status to downstream circuitry. The off-state voltage at the PGD pin can be higher or lower than the voltages at VIN and OUT. PGD is switched high when the voltage at the FB pin exceeds the PGD threshold voltage. Typically, the output voltage threshold is set with a resistor divider from output to feedback, although the monitored voltage need not be the output voltage. Any other voltage can be monitored as long as the voltage at the FB pin does not exceed its maximum rating. Referring to the [Functional Block Diagram](#), when the voltage at the FB pin is below its threshold, the 20-μA current source at FB is disabled. As the output voltage increases, taking FB above its threshold, the current source is enabled, sourcing current out of the pin, raising the voltage at FB to provide threshold hysteresis. The PGD output is forced low when either the UVLO/EN pin is below its threshold or the OVLO pin is above its threshold. The status of the PGD pin can be read through the PMBus interface in either the STATUS\_WORD (79h) or DIAGNOSTIC\_WORD (E1h) registers.

When the voltage at the FB pin increases above its threshold, the internal pulldown acting on the PGD pin is disabled allowing PGD to rise to  $V_{PGD}$  through the pullup resistor,  $R_{PG}$ , as shown in Figure 34. The pullup voltage ( $V_{PGD}$ ) can be as high as 80 V, and can be higher or lower than the voltages at  $V_{IN}$  and  $V_{OUT}$ .  $V_{DD}$  is a convenient choice for  $V_{PGD}$  as it allows interface to low voltage logic and avoids glitching on PGD during power-up. If a delay is required at PGD, suggested circuits are shown in Figure 35. In Figure 35(A), capacitor  $C_{PG}$  adds delay to the rising edge, but not to the falling edge. In Figure 35(B), the rising edge is delayed by  $R_{PG1} + R_{PG2}$  and  $C_{PG}$ , while the falling edge is delayed a lesser amount by  $R_{PG2}$  and  $C_{PG}$ . Adding a diode across  $R_{PG2}$  (Figure 35(C)) allows for equal delays at the two edges, or a short delay at the rising edge and a long delay at the falling edge.


**Figure 33. Programming the PGD Threshold**

**Figure 34. Power Good Output**

**Figure 35. Adding Delay to the Power Good Output Pin**

TI recommends to set the PG threshold 5% below the minimum input voltage to ensure that the PG is asserted under all input voltage conditions. For this example, PGDH of 38 V and PGDL of 35 V is targeted.  $R_5$  and  $R_6$  are computed using the following equations:

$$R_5 = \frac{V_{PGDH} - V_{PGDL}}{20\mu A} = \frac{38V - 35V}{20\mu A} = 150k\Omega \quad (39)$$

$$R_6 = \frac{2.46V \times R_5}{(V_{PGDH} - 2.46V)} = \frac{2.46V \times 150k\Omega}{(38V - 2.46V)} = 10.38k\Omega \quad (40)$$

Nearest available 1% resistors should be chosen. Set  $R_5 = 150\text{ k}\Omega$  and  $R_6 = 10.5\text{ k}\Omega$ .

#### 9.2.1.2.8 Input and Output Protection

Proper operation of the LM5066 hot swap circuit requires a voltage clamping element present on the supply side of the connector into which the hot swap circuit is plugged in. A TVS is ideal, as depicted in . The TVS is necessary to absorb the voltage transient generated whenever the hot swap circuit shuts off the load current. This effect is the most severe during a hot-short when a large current is suddenly interrupted when the FET shuts off. The TVS should be chosen to have minimal leakage current at  $V_{IN,MAX}$  and to clamp the voltage to under 100V during hot-short events. For many high power applications 5.0SMDJ60A is a good choice.

If the load powered by the LM5066 hot swap circuit has inductive characteristics, a Schottky diode is required across the LM5066's output, along with some load capacitance. The capacitance and the diode are necessary to limit the negative excursion at the OUT pin when the load current is shut off.

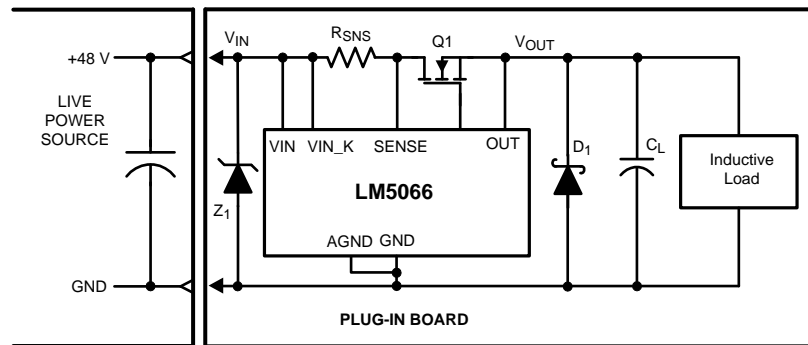


Figure 36. Output Diode Required for Inductive Loads

#### 9.2.1.2.9 Final Schematic and Component Values

Figure 28 shows the schematic used to implement the requirements described in the previous section. In addition, Table 47 provides the final component values that were used to meet the design requirements for a 48-V, 10-A hotswap design. The application curves in the next section are based on these component values.

Table 47. Final Component Values (48-V, 10-A Design)

COMPONENT	VALUE
$R_{SNS}$	2 m $\Omega$
R1	150 k $\Omega$
R2	11.5 k $\Omega$
R3	95.3 k $\Omega$
R4	3.74 k $\Omega$
R5	150 k $\Omega$
R6	10.5 k $\Omega$
$R_{PWR}$	21 k $\Omega$
Q1	PSMN4R8-100BSEJ
Q2	MMBT3904
D1	B380-13-F
Z1	5.0SMDJ60A
$C_{TIMER}$	150 nF
Optional dv/dt circuit	DNP

9.2.1.3 Application Curves



Figure 37. Insertion Delay

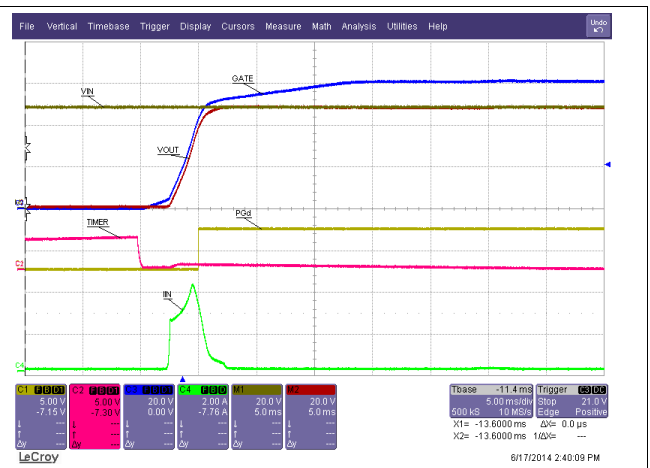


Figure 38. Start-Up  
 $V_{IN} = 48V$

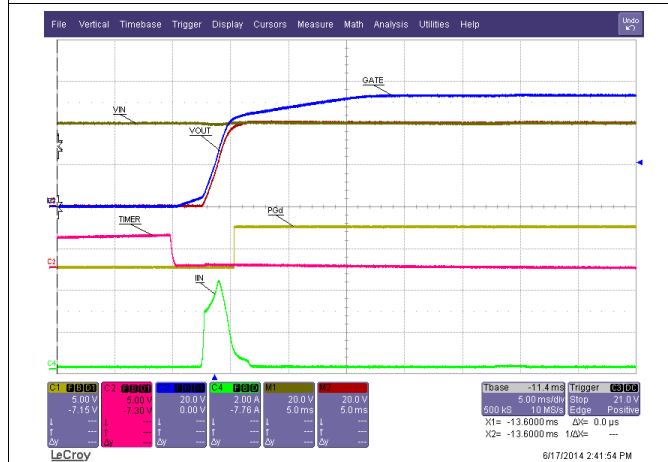


Figure 39. Start-Up  
 $V_{IN} = 40V$

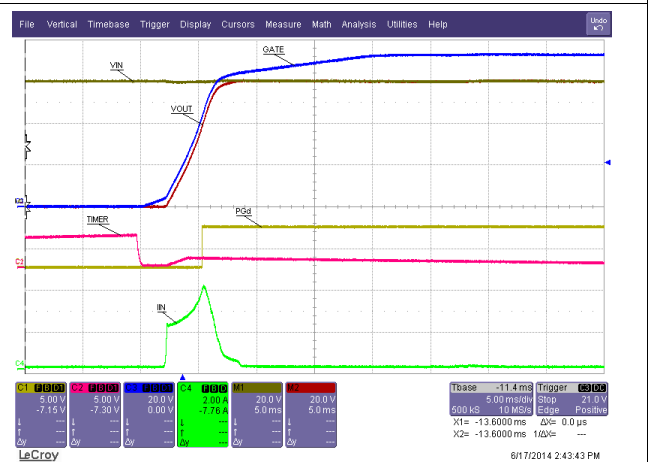


Figure 40. Start-Up  
 $V_{IN} = 60V$

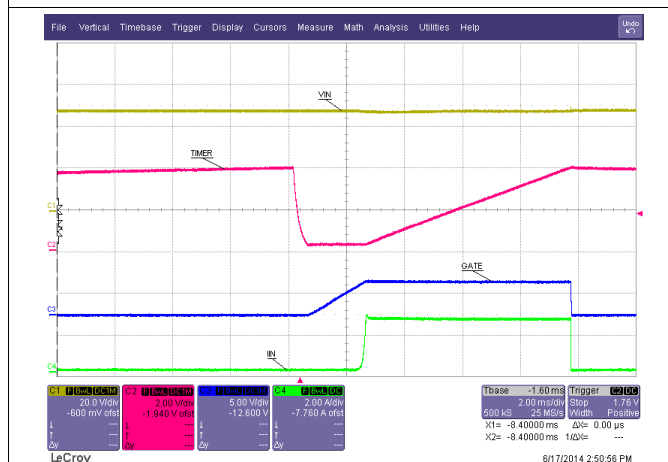


Figure 41. Start-Up into Short Circuit

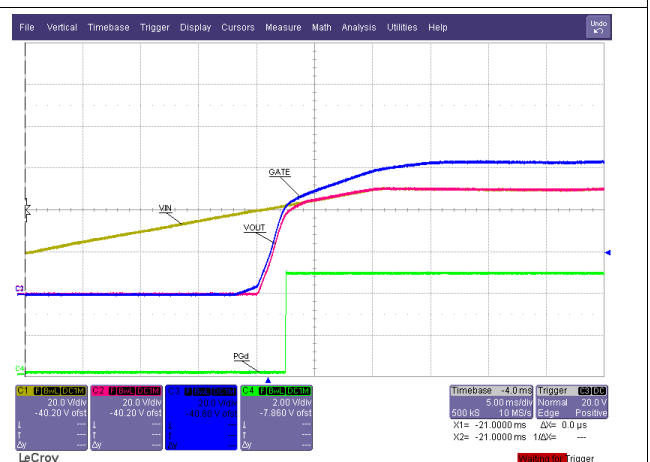


Figure 42. Under-Voltage

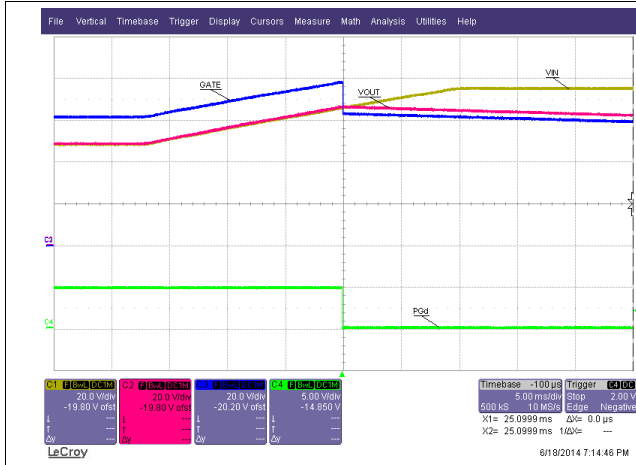


Figure 43. Over-Voltage

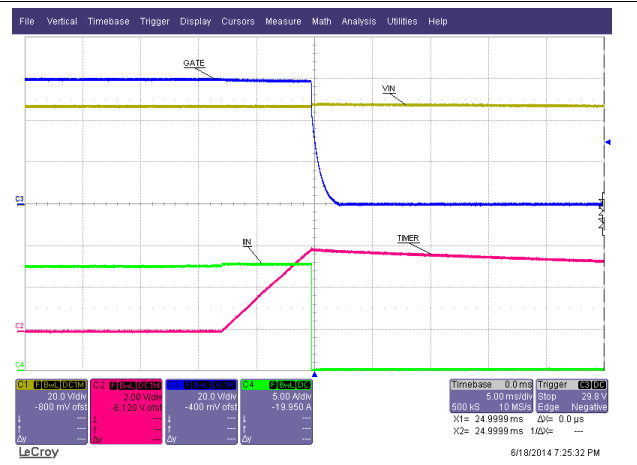


Figure 44. Gradual Over-Current

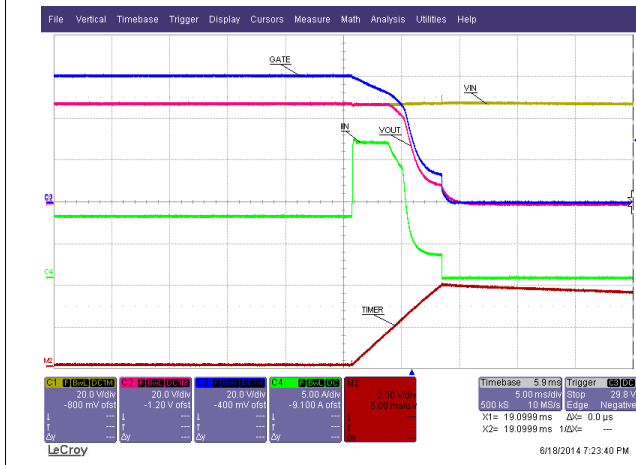


Figure 45. Loadstep

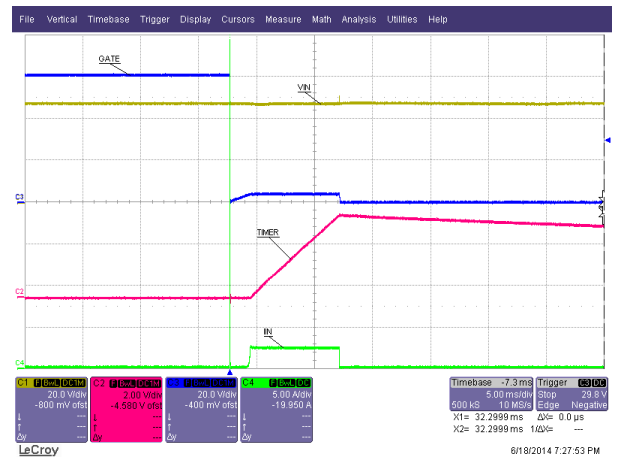


Figure 46. Hotshort on Output (Zoomed Out)

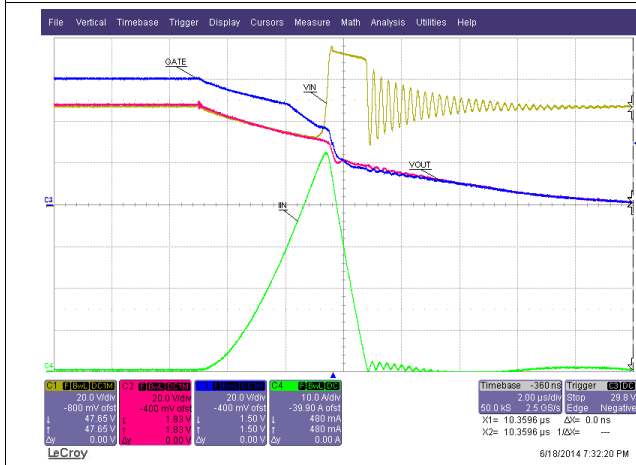


Figure 47. Hotshort on Output (Zoomed In)

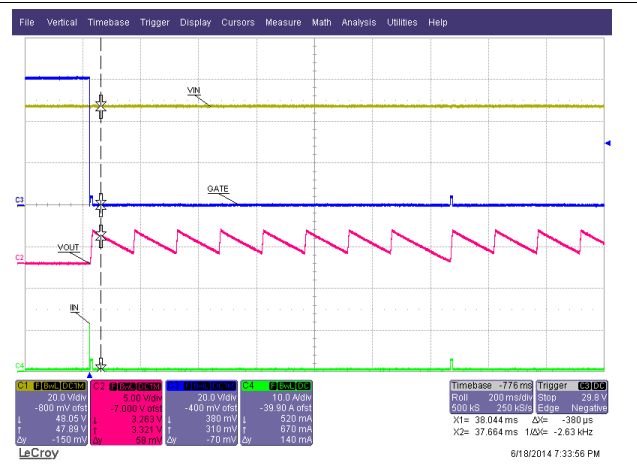


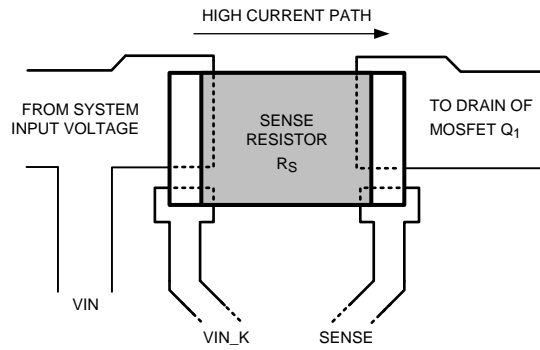
Figure 48. Auto-retry

## 10 Power Supply Recommendations

In general, the LM5066 behavior is more reliable if it is supplied from a very regulated power supply. However, high-frequency transients on a backplane are not uncommon due to adjacent card insertions or faults. If this is expected in the end system, TI recommends to place a 1- $\mu$ F ceramic capacitor to ground close to the source of the hotswap MOSFET. This reduces the common mode seen by VIN\_K and SENSE. Additional filtering may be necessary to avoid nuisance trips.



**Layout Example (continued)**



**Figure 50. Sense Resistor Connections**



## 12 Device and Documentation Support

### 12.1 Trademarks

PMBus is a trademark of SMIF, Inc.

### 12.2 Electrostatic Discharge Caution



These devices have limited built-in ESD protection. The leads should be shorted together or the device placed in conductive foam during storage or handling to prevent electrostatic damage to the MOS gates.

### 12.3 Glossary

[SLYZ022](#) — *TI Glossary*.

This glossary lists and explains terms, acronyms, and definitions.

## 13 Mechanical, Packaging, and Orderable Information

The following pages include mechanical packaging and orderable information. This information is the most current data available for the designated devices. This data is subject to change without notice and revision of this document. For browser-based versions of this data sheet, refer to the left-hand navigation.

**PACKAGING INFORMATION**

Orderable Device	Status (1)	Package Type	Package Drawing	Pins	Package Qty	Eco Plan (2)	Lead finish/ Ball material (6)	MSL Peak Temp (3)	Op Temp (°C)	Device Marking (4/5)	Samples
LM5066PMH/NOPB	ACTIVE	HTSSOP	PWP	28	48	RoHS & Green	SN	Level-3-260C-168 HR	-40 to 125	LM5066PMH	<a href="#">Samples</a>
LM5066PMHE/NOPB	ACTIVE	HTSSOP	PWP	28	250	RoHS & Green	SN	Level-3-260C-168 HR	-40 to 125	LM5066PMH	<a href="#">Samples</a>
LM5066PMHX/NOPB	ACTIVE	HTSSOP	PWP	28	2500	RoHS & Green	SN	Level-3-260C-168 HR	-40 to 125	LM5066PMH	<a href="#">Samples</a>

(1) The marketing status values are defined as follows:

**ACTIVE:** Product device recommended for new designs.

**LIFEBUY:** TI has announced that the device will be discontinued, and a lifetime-buy period is in effect.

**NRND:** Not recommended for new designs. Device is in production to support existing customers, but TI does not recommend using this part in a new design.

**PREVIEW:** Device has been announced but is not in production. Samples may or may not be available.

**OBSELETE:** TI has discontinued the production of the device.

(2) **RoHS:** TI defines "RoHS" to mean semiconductor products that are compliant with the current EU RoHS requirements for all 10 RoHS substances, including the requirement that RoHS substance do not exceed 0.1% by weight in homogeneous materials. Where designed to be soldered at high temperatures, "RoHS" products are suitable for use in specified lead-free processes. TI may reference these types of products as "Pb-Free".

**RoHS Exempt:** TI defines "RoHS Exempt" to mean products that contain lead but are compliant with EU RoHS pursuant to a specific EU RoHS exemption.

**Green:** TI defines "Green" to mean the content of Chlorine (Cl) and Bromine (Br) based flame retardants meet JS709B low halogen requirements of <=1000ppm threshold. Antimony trioxide based flame retardants must also meet the <=1000ppm threshold requirement.

(3) MSL, Peak Temp. - The Moisture Sensitivity Level rating according to the JEDEC industry standard classifications, and peak solder temperature.

(4) There may be additional marking, which relates to the logo, the lot trace code information, or the environmental category on the device.

(5) Multiple Device Markings will be inside parentheses. Only one Device Marking contained in parentheses and separated by a "~" will appear on a device. If a line is indented then it is a continuation of the previous line and the two combined represent the entire Device Marking for that device.

(6) Lead finish/Ball material - Orderable Devices may have multiple material finish options. Finish options are separated by a vertical ruled line. Lead finish/Ball material values may wrap to two lines if the finish value exceeds the maximum column width.

**Important Information and Disclaimer:**The information provided on this page represents TI's knowledge and belief as of the date that it is provided. TI bases its knowledge and belief on information provided by third parties, and makes no representation or warranty as to the accuracy of such information. Efforts are underway to better integrate information from third parties. TI has taken and continues to take reasonable steps to provide representative and accurate information but may not have conducted destructive testing or chemical analysis on incoming materials and chemicals. TI and TI suppliers consider certain information to be proprietary, and thus CAS numbers and other limited information may not be available for release.

In no event shall TI's liability arising out of such information exceed the total purchase price of the TI part(s) at issue in this document sold by TI to Customer on an annual basis.

**TAPE AND REEL INFORMATION**

**QUADRANT ASSIGNMENTS FOR PIN 1 ORIENTATION IN TAPE**


\*All dimensions are nominal

Device	Package Type	Package Drawing	Pins	SPQ	Reel Diameter (mm)	Reel Width W1 (mm)	A0 (mm)	B0 (mm)	K0 (mm)	P1 (mm)	W (mm)	Pin1 Quadrant
LM5066PMHE/NOPB	HTSSOP	PWP	28	250	178.0	16.4	6.8	10.2	1.6	8.0	16.0	Q1
LM5066PMHX/NOPB	HTSSOP	PWP	28	2500	330.0	16.4	6.8	10.2	1.6	8.0	16.0	Q1

## TAPE AND REEL BOX DIMENSIONS



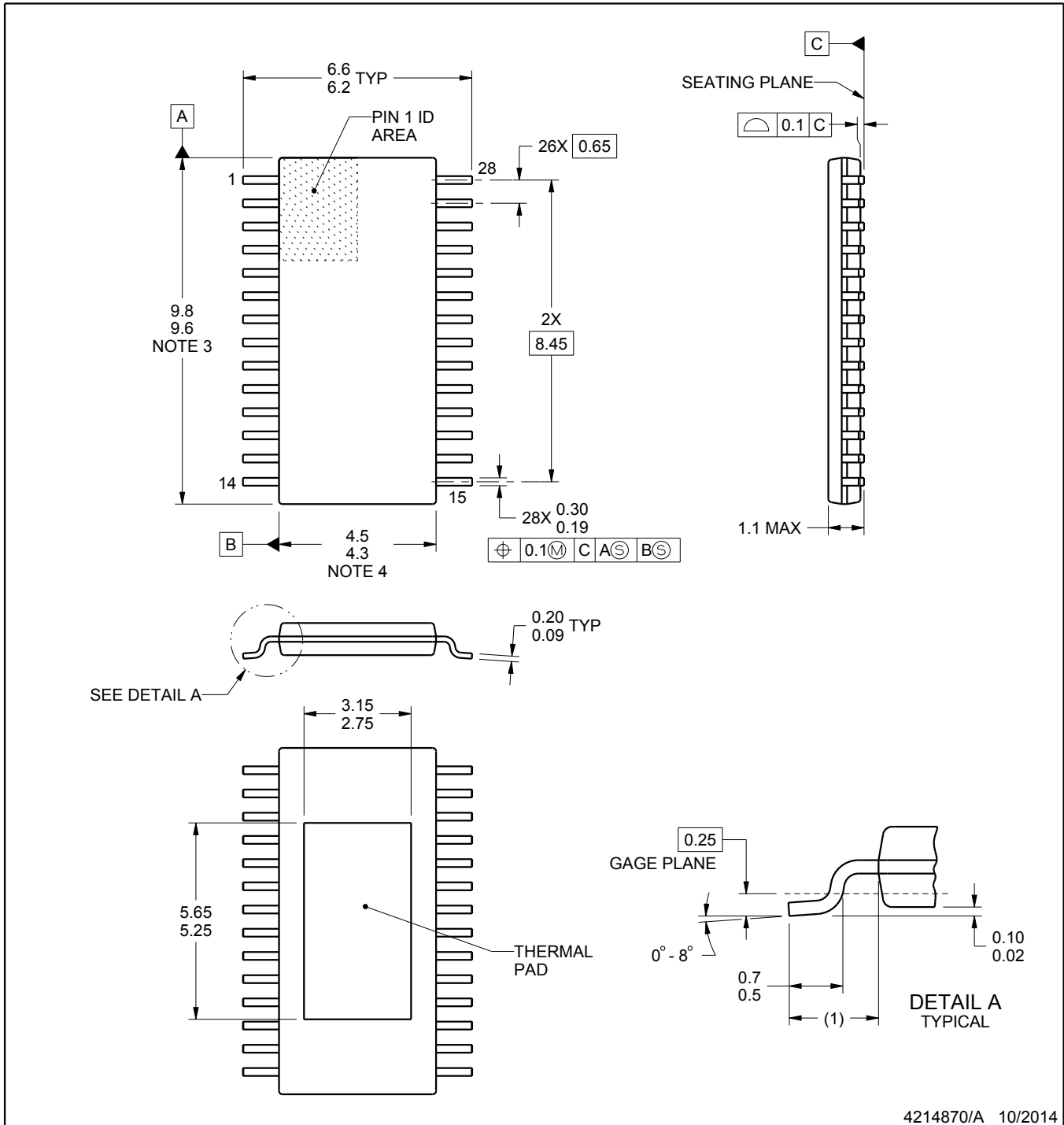
\*All dimensions are nominal

Device	Package Type	Package Drawing	Pins	SPQ	Length (mm)	Width (mm)	Height (mm)
LM5066PMHE/NOPB	HTSSOP	PWP	28	250	208.0	191.0	35.0
LM5066PMHX/NOPB	HTSSOP	PWP	28	2500	356.0	356.0	36.0

**TUBE**


\*All dimensions are nominal

Device	Package Name	Package Type	Pins	SPQ	L (mm)	W (mm)	T (μm)	B (mm)
LM5066PMH/NOPB	PWP	HTSSOP	28	48	495	8	2514.6	4.06



4214870/A 10/2014

NOTES:

PowerPAD is a trademark of Texas Instruments.

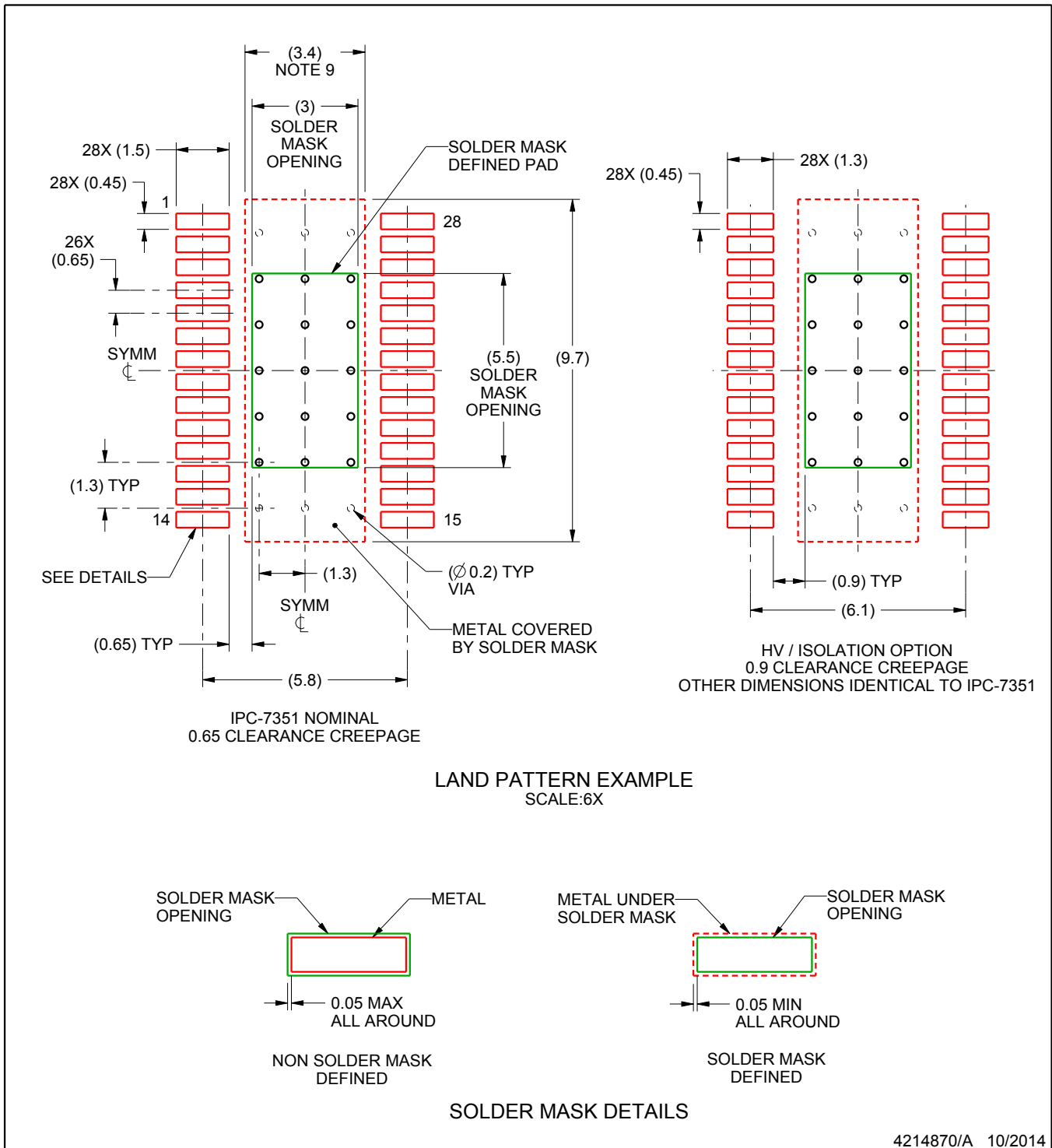
1. All linear dimensions are in millimeters. Any dimensions in parenthesis are for reference only. Dimensioning and tolerancing per ASME Y14.5M.
2. This drawing is subject to change without notice.
3. This dimension does not include mold flash, protrusions, or gate burrs. Mold flash, protrusions, or gate burrs shall not exceed 0.15 mm, per side.
4. This dimension does not include interlead flash. Interlead flash shall not exceed 0.25 mm, per side.
5. Reference JEDEC registration MO-153, variation AET.

# EXAMPLE BOARD LAYOUT

**PWP0028A**

**PowerPAD™ - 1.1 mm max height**

PLASTIC SMALL OUTLINE



NOTES: (continued)

6. Publication IPC-7351 may have alternate designs.
7. Solder mask tolerances between and around signal pads can vary based on board fabrication site.
8. This package is designed to be soldered to a thermal pad on the board. For more information, see Texas Instruments literature numbers SLMA002 ([www.ti.com/lit/slma002](http://www.ti.com/lit/slma002)) and SLMA004 ([www.ti.com/lit/slma004](http://www.ti.com/lit/slma004)).
9. Size of metal pad may vary due to creepage requirement.

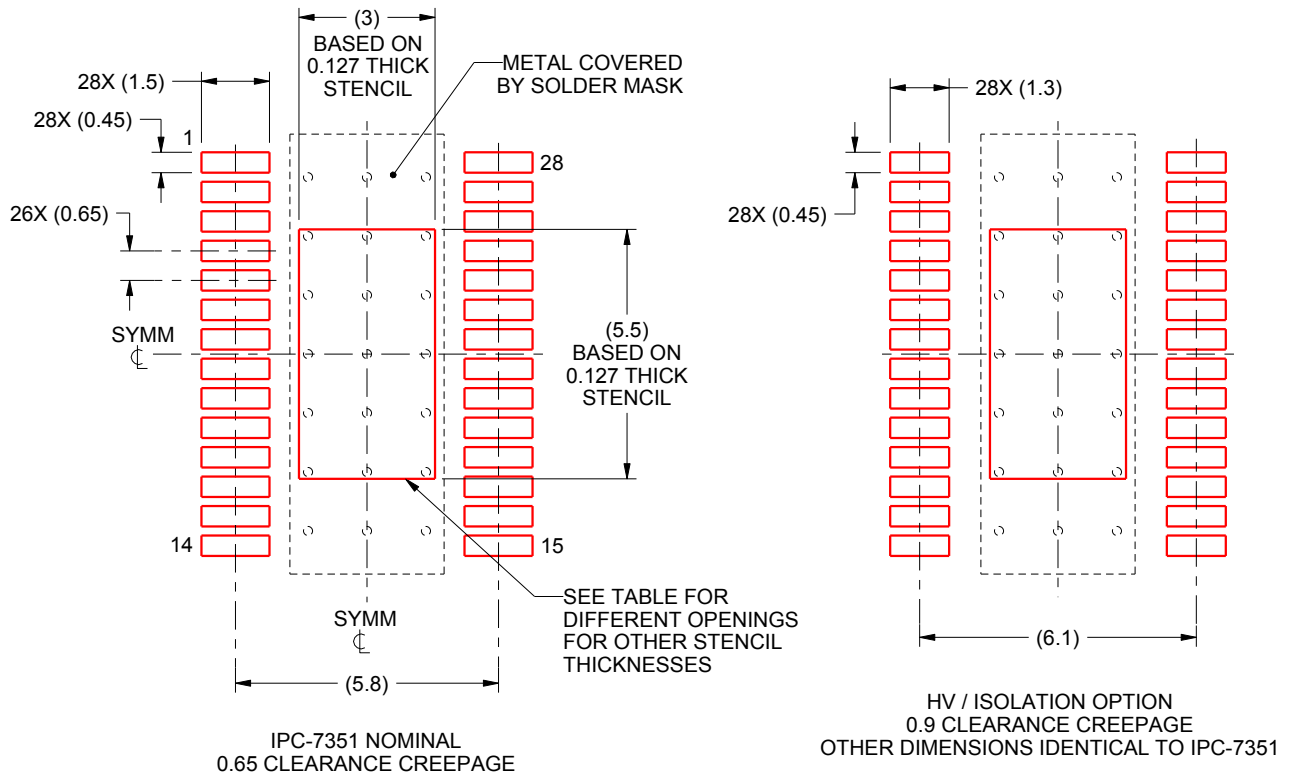


# EXAMPLE STENCIL DESIGN

PWP0028A

PowerPAD™ - 1.1 mm max height

PLASTIC SMALL OUTLINE



SOLDER PASTE EXAMPLE  
EXPOSED PAD  
100% PRINTED SOLDER COVERAGE AREA  
SCALE:6X

STENCIL THICKNESS	SOLDER STENCIL OPENING
0.1	3.55 X 6.37
0.127	3.0 X 5.5 (SHOWN)
0.152	2.88 X 5.16
0.178	2.66 X 4.77

4214870/A 10/2014

NOTES: (continued)

10. Laser cutting apertures with trapezoidal walls and rounded corners may offer better paste release. IPC-7525 may have alternate design recommendations.
11. Board assembly site may have different recommendations for stencil design.

## IMPORTANT NOTICE AND DISCLAIMER

TI PROVIDES TECHNICAL AND RELIABILITY DATA (INCLUDING DATA SHEETS), DESIGN RESOURCES (INCLUDING REFERENCE DESIGNS), APPLICATION OR OTHER DESIGN ADVICE, WEB TOOLS, SAFETY INFORMATION, AND OTHER RESOURCES "AS IS" AND WITH ALL FAULTS, AND DISCLAIMS ALL WARRANTIES, EXPRESS AND IMPLIED, INCLUDING WITHOUT LIMITATION ANY IMPLIED WARRANTIES OF MERCHANTABILITY, FITNESS FOR A PARTICULAR PURPOSE OR NON-INFRINGEMENT OF THIRD PARTY INTELLECTUAL PROPERTY RIGHTS.

These resources are intended for skilled developers designing with TI products. You are solely responsible for (1) selecting the appropriate TI products for your application, (2) designing, validating and testing your application, and (3) ensuring your application meets applicable standards, and any other safety, security, regulatory or other requirements.

These resources are subject to change without notice. TI grants you permission to use these resources only for development of an application that uses the TI products described in the resource. Other reproduction and display of these resources is prohibited. No license is granted to any other TI intellectual property right or to any third party intellectual property right. TI disclaims responsibility for, and you will fully indemnify TI and its representatives against, any claims, damages, costs, losses, and liabilities arising out of your use of these resources.

TI's products are provided subject to [TI's Terms of Sale](#) or other applicable terms available either on [ti.com](https://www.ti.com) or provided in conjunction with such TI products. TI's provision of these resources does not expand or otherwise alter TI's applicable warranties or warranty disclaimers for TI products.

TI objects to and rejects any additional or different terms you may have proposed.

Mailing Address: Texas Instruments, Post Office Box 655303, Dallas, Texas 75265  
Copyright © 2024, Texas Instruments Incorporated