

LM26480 Dual 2-MHz, 1.5-A Buck Regulators and Dual 300-mA LDOs With Individual Enable and Power Good

1 Features

- Input Voltage: 2.8 V to 5.5 V
- Compatible with Advanced Applications Processors and FPGAs
- Two LDOs for Powering Internal Processor Functions and I/Os
- Precision Internal Reference
- Thermal Overload Protection
- Current Overload Protection
- External Power-On-Reset Function for Buck1 and Buck2
- Undervoltage Lockout Detector to Monitor Input Supply Voltage
- **Step-Down DC-DC Converters (Buck)**
 - 1.5-A Output Current
 - V_{OUT} from:
 - Buck1 : 0.8 V to 2 V at 1.5 A
 - Buck2 : 1 V to 3.3 V at 1.5 A
 - Up to 96% efficiency
 - $\pm 3\%$ FB Voltage Accuracy
 - 2-MHz PWM Switching Frequency
 - PWM-to-PFM Automatic Mode Change Under Low Loads
 - Automatic Soft Start
- **Linear Regulators (LDO)**
 - V_{OUT} of 1 V to 3.5 V
 - $\pm 3\%$ FB Voltage Accuracy
 - 300-mA Output Current
 - 25-mV (Typical) Dropout

2 Applications

- Core Digital Power
- Applications Processors
- Peripheral I/O Power
- Digital Radios
- Robot Drives
- Image Transmission Module
- Low-Power Digital Applications

3 Description

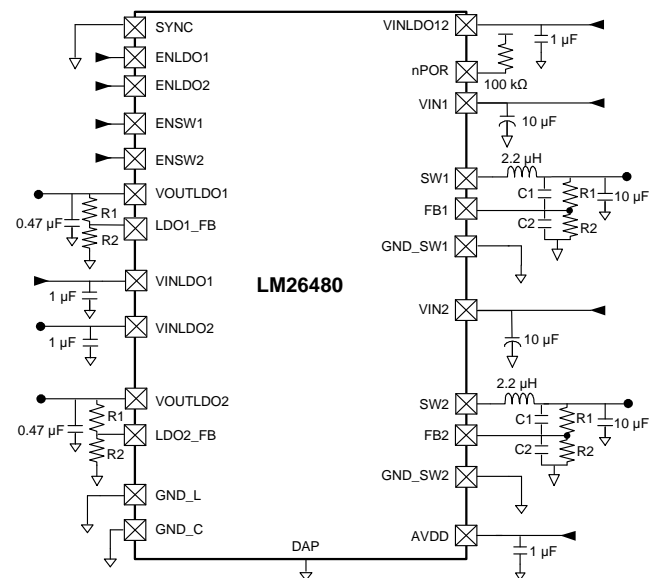
The LM26480 is a multi-functional power management unit (PMU), optimized for low-power digital applications. This device integrates two highly efficient 1.5-A step-down DC-DC converters and two 300-mA linear regulators. The DC-DC buck converters provide typical efficiencies of 96%, allowing for minimal power consumption. Features include soft start, undervoltage lockout, current overload protection, thermal overload protection, and an internal power-on-reset (POR) circuit, which monitors the output voltage levels on bucks 1 and 2.

Device Information⁽¹⁾

| PART NUMBER | PACKAGE | BODY SIZE (NOM) |
|-------------|-----------|-------------------|
| LM26480 | WQFN (24) | 4.00 mm x 4.00 mm |

(1) For all available packages, see the orderable addendum at the end of the data sheet.

Simplified Schematic



Copyright © 2016, Texas Instruments Incorporated



Table of Contents

| | | | |
|--|-----------|--|-----------|
| 1 Features | 1 | 8.1 Overview | 14 |
| 2 Applications | 1 | 8.2 Functional Block Diagram | 14 |
| 3 Description | 1 | 8.3 Feature Description | 15 |
| 4 Revision History | 2 | 8.4 Device Functional Modes | 22 |
| 5 Device Options | 4 | 9 Application and Implementation | 23 |
| 6 Pin Configuration and Functions | 5 | 9.1 Application Information | 23 |
| 7 Specifications | 6 | 9.2 Typical Application | 25 |
| 7.1 Absolute Maximum Ratings | 6 | 10 Power Supply Recommendations | 32 |
| 7.2 ESD Ratings | 6 | 11 Layout | 32 |
| 7.3 Recommended Operating Conditions: Bucks | 6 | 11.1 Layout Guidelines | 32 |
| 7.4 Thermal Information | 6 | 11.2 Layout Example | 33 |
| 7.5 General Electrical Characteristics | 7 | 12 Device and Documentation Support | 34 |
| 7.6 Low Dropout Regulators, LDO1 and LDO2 | 7 | 12.1 Device Support | 34 |
| 7.7 Buck Converters SW1, SW2 | 8 | 12.2 Documentation Support | 34 |
| 7.8 I/O Electrical Characteristics | 9 | 12.3 Receiving Notification of Documentation Updates | 34 |
| 7.9 Power On Reset Threshold/Function (POR) | 9 | 12.4 Community Resources | 34 |
| 7.10 Typical Characteristics — LDO | 10 | 12.5 Trademarks | 34 |
| 7.11 Typical Characteristics — Buck 2.8 V to 5.5 V | 11 | 12.6 Electrostatic Discharge Caution | 34 |
| 7.12 Typical Characteristics — Bucks 1 and 2 | 12 | 12.7 Glossary | 34 |
| 7.13 Typical Characteristics — Buck 3.6 V | 13 | 13 Mechanical, Packaging, and Orderable Information | 34 |
| 8 Detailed Description | 14 | | |

4 Revision History

NOTE: Page numbers for previous revisions may differ from page numbers in the current version.

| Changes from Revision M (December 2016) to Revision N | Page |
|---|------|
| • Deleted the maximum lead temperature (soldering) from the <i>Absolute Maximum Ratings</i> table | 6 |
| • Changed the PBUCK1 and PBUCK2 equations in the <i>Junction Temperature</i> section | 26 |
| • Changed the <i>Electrostatic Discharge Caution</i> statement | 34 |

| Changes from Revision L (June 2016) to Revision M | Page |
|--|------|
| • Changed title of data sheet; add content to <i>Description</i> section | 1 |
| • Deleted SQ-BF option from Table 1 | 4 |

| Changes from Revision K (January 2015) to Revision L | Page |
|--|------|
| • Added additional items to <i>Applications</i> | 1 |
| • Changed " θ_n " to " e_N " as symbol for supply output noise in Low Dropout Regulators EC table | 7 |

| Changes from Revision J (October 2014) to Revision K | Page |
|--|------|
| • Changed <i>Handling Ratings</i> table to <i>ESD Ratings</i> table | 6 |
| • Added full <i>Thermal Information</i> values | 6 |
| • Added additional paragraph to <i>Functional Description</i> subsection to describe enable signal. | 16 |

Changes from Revision I (May 2013) to Revision J**Page**

-
- Added *Device Information* and *ESD Rating* tables, *Feature Description*, *Device Functional Modes*, *Application and Implementation*, *Power Supply Recommendations*, *Layout, Device and Documentation Support*, and *Mechanical, Packaging, and Orderable Information* sections; moved some curves to *Application Curves* section. 1
-

5 Device Options

Table 1. Default Options

| ORDER SUFFIX | SPEC | OSCILLATOR FREQUENCY | BUCK MODES | nPOR DELAY | UVLO | SYNC | AECQ |
|--------------|------|----------------------|------------|------------|---------|----------|------|
| SQ-AA | NOPB | 2 MHz | Auto-Mode | 60 ms | Enabled | Disabled | No |

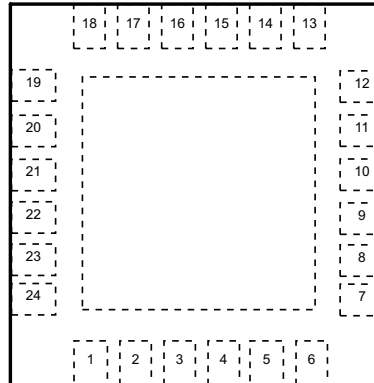
Table 2. Power Block Operation

| POWER BLOCK INPUT ⁽¹⁾ | ENABLED | DISABLED | NOTE |
|----------------------------------|---------|------------|-----------------------------------|
| VINLDO12 | VIN+ | VIN+ | Always powered |
| AVDD | VIN+ | VIN+ | Always powered |
| VIN1 | VIN+ | VIN+ or 0V | |
| VIN2 | VIN+ | VIN+ or 0V | |
| VINLDO1 | ≤ VIN+ | ≤ VIN+ | If enabled, minimum VIN is 1.74 V |
| VINLDO2 | ≤ VIN+ | ≤ VIN+ | If enabled, minimum VIN is 1.74 V |

(1) VIN+ is the largest potential voltage on the device.

6 Pin Configuration and Functions

**RTW Package
24-Pin WQFN
Top View**



Pin Functions

| PIN | | I/O | TYPE ⁽¹⁾ | DESCRIPTION |
|-----|----------|-----|---------------------|--|
| NO. | NAME | | | |
| 1 | VINLDO12 | I | P | Analog power for internal functions (VREF, BIAS, I ² C, Logic) |
| 2 | SYNC | I | G/(D) | Frequency synchronization pin, which allows the user to connect an external clock signal to synchronize the PMIC internal oscillator. Default OFF and must be grounded when not used. Part number LM26480SQ-BF has this feature enabled. Contact Texas Instruments Sales Office/Distributors for availability of LM26480SQ-BF. |
| 3 | NPOR | O | D | nPOR Power on reset pin for both Buck1 and Buck 2. Open drain logic output 100-kΩ pullup resistor. nPOR is pulled to ground when the voltages on these supplies are not good. See Flexible Power-On Reset (Power Good with Delay) for more information. |
| 4 | GND_SW1 | G | G | Buck1 NMOS power ground |
| 5 | SW1 | O | P | Buck1 switcher output pin |
| 6 | VIN1 | I | P | Power in from either DC source or battery to Buck1 |
| 7 | ENSW1 | I | D | Enable pin for Buck1 switcher, a logic HIGH enables Buck1. Pin cannot be left floating. |
| 8 | FB1 | I | A | Buck1 input feedback terminal |
| 9 | GND_C | G | G | Non-switching core ground pin |
| 10 | AVDD | I | P | Analog Power for Buck converters |
| 11 | FB2 | I | A | Buck2 input feedback terminal |
| 12 | ENSW2 | I | D | Enable pin for Buck2 switcher, a logic HIGH enables Buck2. Pin cannot be left floating. |
| 13 | VIN2 | I | P | Power in from either DC source or Battery to Buck2 |
| 14 | SW2 | O | P | Buck2 switcher output pin |
| 15 | GND_SW2 | G | G | Buck2 NMOS |
| 16 | ENLDO2 | I | D | LDO2 enable pin, a logic HIGH enables LDO2. Pin cannot be left floating. |
| 17 | ENLDO1 | I | D | LDO1 enable pin, a logic HIGH enables LDO1. Pin cannot be left floating. |
| 18 | GND_L | G | G | LDO ground |
| 19 | VINLDO1 | I | P | Power in from either DC source or battery to LDO1 |
| 20 | LDO1 | O | P | LDO1 Output |
| 21 | FBL1 | I | A | LDO1 feedback terminal |
| 22 | FBL2 | I | A | LDO2 feedback terminal |
| 23 | LDO2 | O | P | LDO output |
| 24 | VINLDO2 | I | P | Power in from either DC source or battery to LDO2. |
| DAP | DAP | G | G | Connection is not necessary for electrical performance, but it is recommended for better thermal dissipation. |

(1) A: Analog Pin, G: Ground Pin, P: Power Pin, I: Input Pin, O: Output Pin, D: Digital.

7 Specifications

7.1 Absolute Maximum Ratings

 over operating free-air temperature range (unless otherwise noted) ⁽¹⁾⁽²⁾

| | MIN | MAX | UNIT |
|--|------|------|------|
| VINLDO12, VIN1, AVDD, VIN2, VINLDO1, VINLDO2, ENSW1, FB1, FB2, ENSW2, ENLDO1, ENLDO2, SYNC, FBL1, FBL2 | -0.3 | 6 | V |
| GND to GND SLUG | | ±0.3 | |
| Power dissipation, P _{D-MAX} (T _A = 85°C, T _{MAX} = 125°C) ⁽³⁾ | | 1.17 | W |
| Junction temperature, T _{J-MAX} | | 150 | °C |
| Storage temperature, T _{stg} | -65 | 150 | °C |

- (1) Stresses beyond those listed under *Absolute Maximum Ratings* may cause permanent damage to the device. These are stress ratings only, which do not imply functional operation of the device at these or any other conditions beyond those indicated under *Recommended Operating Conditions: Bucks*. Exposure to absolute-maximum-rated conditions for extended periods may affect device reliability.
- (2) All voltages are with respect to the potential at the GND pin.
- (3) In applications where high power dissipation and/or poor package thermal resistance is present, the maximum ambient temperature may have to be derated. Maximum ambient temperature (T_{A-MAX}) is dependent on the maximum operating junction temperature (T_{J-MAX-OP} = 125°C), the maximum power dissipation of the device in the application (P_{D-MAX}), and the junction-to-ambient thermal resistance of the part/package in the application (R_{θJA}), as given by the following equation: T_{A-MAX} = T_{J-MAX-OP} - (R_{θJA} × P_{D-MAX}). See *Application and Implementation*.

7.2 ESD Ratings

| | | VALUE | UNIT |
|--|--|-------|------|
| V _(ESD) Electrostatic discharge | Human-body model (HBM), per ANSI/ESDA/JEDEC JS-001 ⁽¹⁾ | ±2000 | V |
| | Charged-device model (CDM), per JEDEC specification JESD22-C101 ⁽²⁾ | ±750 | |

- (1) JEDEC document JEP155 states that 500-V HBM allows safe manufacturing with a standard ESD control process.
- (2) JEDEC document JEP157 states that 250-V CDM allows safe manufacturing with a standard ESD control process.

7.3 Recommended Operating Conditions: Bucks

over operating free-air temperature range (unless otherwise noted)

| | MIN | NOM | MAX | UNIT |
|--|-----|---------------------------|-----|------|
| V _{IN} | 2.8 | | 5.5 | V |
| V _{EN} | 0 | (V _{IN} + 0.3 V) | | |
| Junction temperature, T _J | -40 | | 125 | °C |
| Ambient temperature, T _A ⁽¹⁾ | -40 | | 85 | °C |

- (1) Junction-to-ambient thermal resistance is highly application and board-layout dependent. In applications where high maximum power dissipation exists, special care must be paid to thermal dissipation issues in board design.

7.4 Thermal Information

| THERMAL METRIC ⁽¹⁾ | | LM26480 | UNIT |
|-------------------------------|--|------------|------|
| | | RTW (WQFN) | |
| | | 24 PINS | |
| R _{θJA} | Junction-to-ambient thermal resistance | 32.7 | °C/W |
| R _{θJC(top)} | Junction-to-case (top) thermal resistance | 31.2 | °C/W |
| R _{θJB} | Junction-to-board thermal resistance | 11.2 | °C/W |
| ψ _{JT} | Junction-to-top characterization parameter | 0.2 | °C/W |
| ψ _{JB} | Junction-to-board characterization parameter | 11.2 | °C/W |
| R _{θJC(bot)} | Junction-to-case (bottom) thermal resistance | 0.4 | °C/W |

- (1) For more information about traditional and new thermal metrics, see the *Semiconductor and IC Package Thermal Metrics* application report.

7.5 General Electrical Characteristics

Unless otherwise noted, $V_{IN} = 3.6\text{ V}$. Values and limits apply for $T_J = 25^\circ\text{C}$.⁽¹⁾⁽²⁾⁽³⁾

| PARAMETER | | TEST CONDITIONS | MIN | TYP | MAX | UNIT |
|-----------|-----------------------------|--------------------------------------|-----|-----|-----|------------------|
| I_Q | VINLDO12 shutdown current | $V_{IN} = 3.6\text{ V}$ | | 0.5 | | μA |
| V_{POR} | Power-on reset threshold | V_{DD} falling edge ⁽⁴⁾ | | 1.9 | | V |
| T_{SD} | Thermal shutdown threshold | See ⁽⁵⁾ | | 160 | | $^\circ\text{C}$ |
| T_{SDH} | Thermal shutdown hysteresis | See ⁽⁵⁾ | | 20 | | |
| UVLO | Undervoltage lockout | Rising | | 2.9 | | V |
| | | Falling | | 2.7 | | |

- (1) Stresses beyond those listed under *Absolute Maximum Ratings* may cause permanent damage to the device. These are stress ratings only, which do not imply functional operation of the device at these or any other conditions beyond those indicated under *Recommended Operating Conditions*. Exposure to absolute-maximum-rated conditions for extended periods may affect device reliability.
- (2) All voltages are with respect to the potential at the GND pin.
- (3) Minimum (MIN) and maximum (MAX) limits are specified by design, test, or statistical analysis. Typical numbers represent the most likely norm.
- (4) VPOR is voltage at which the EPROM resets. This is different from the UVLO on VINLDO12, which is the voltage at which the regulators shut off; and is also different from the nPOR function, which signals if the regulators are in a specified range.
- (5) Specified by design. Not production tested.

7.6 Low Dropout Regulators, LDO1 and LDO2

Unless otherwise noted, $V_{IN} = 3.6\text{ V}$, $C_{IN} = 1\ \mu\text{F}$, $C_{OUT} = 0.47\ \mu\text{F}$, and values and limits apply for $T_J = 25^\circ\text{C}$, unless otherwise specified.⁽¹⁾⁽²⁾⁽³⁾⁽⁴⁾

| PARAMETER | | TEST CONDITIONS | MIN | TYP | MAX | UNIT |
|--------------------|-------------------------------|---|------|------|-------|---------------------|
| V_{IN} | Operational voltage range | VINLDO1 and VINLDO2 PMOS pins ⁽⁵⁾ $T_J = -40^\circ\text{C}$ to 125°C | 1.74 | | 5.5 | V |
| V_{FB} | FB voltage accuracy | $T_J = -40^\circ\text{C}$ to 125°C | -3% | | 3% | |
| ΔV_{OUT} | Line regulation | $V_{IN} = (V_{OUT} + 0.3\text{ V})$ to 5 V ⁽⁶⁾ Load current = 1 mA $T_J = -40^\circ\text{C}$ to 125°C | | | 0.15 | %/V |
| | Load regulation | $V_{IN} = 3.6\text{ V}$, $T_J = -40^\circ\text{C}$ to 125°C Load current = 1 mA to I_{MAX} | | | 0.011 | %/mA |
| I_{SC} | Short circuit current limit | LDO1-2, $V_{OUT} = 0\text{ V}$ | | 500 | | mA |
| $V_{IN} - V_{OUT}$ | Dropout voltage | Load current = 50 mA ⁽⁷⁾ | | 25 | | mV |
| | | Load current = 50 mA ⁽⁷⁾ $T_J = -40^\circ\text{C}$ to 125°C | | | 200 | |
| PSRR | Power supply ripple rejection | $F = 10\text{ kHz}$, load current = I_{MAX} | | 45 | | dB |
| e_N | Supply output noise | $10\text{ Hz} < F < 100\text{ kHz}$ | | 150 | | μV_{RMS} |
| I_Q | Quiescent current on | $I_{OUT} = 0\text{ mA}$ | | 40 | | μA |
| | | $I_{OUT} = 0\text{ mA}$, $-40^\circ\text{C} \leq T_J \leq 125^\circ\text{C}$ | | | 150 | |
| | Quiescent current on | $I_{OUT} = 300\text{ mA}$ | | 60 | | |
| | | $I_{OUT} = 300\text{ mA}$, $-40^\circ\text{C} \leq T_J \leq 125^\circ\text{C}$ | | | 200 | |
| | Quiescent current off | EN is de-asserted | | 0.03 | 1 | μA |
| T_{ON} | Turnon time | Start-up from shutdown | | 300 | | μsec |

- (1) All voltages are with respect to the potential at the GND pin.
- (2) Minimum (MIN) and maximum (MAX) limits are specified by design, test, or statistical analysis. Typical (TYP) numbers represent the most likely norm.
- (3) C_{IN} , C_{OUT} : Low-ESR Surface-Mount Ceramic Capacitors (MLCCs) used in setting electrical characteristics.
- (4) The device maintains a stable, regulated output voltage without a load.
- (5) Pins 24, 19 can operate from V_{IN} min of 1.74 V to a V_{IN} max of 5.5 V. This rating is only for the series pass PMOS power FET. It allows the system design to use a lower voltage rating if the input voltage comes from a buck output.
- (6) V_{IN} minimum for line regulation values is 1.8 V.
- (7) Dropout voltage is the voltage difference between the input and the output at which the output voltage drops to 100 mV below its nominal value.

Low Dropout Regulators, LDO1 and LDO2 (continued)

Unless otherwise noted, $V_{IN} = 3.6\text{ V}$, $C_{IN} = 1\ \mu\text{F}$, $C_{OUT} = 0.47\ \mu\text{F}$, and values and limits apply for $T_J = 25^\circ\text{C}$, unless otherwise specified. ⁽¹⁾⁽²⁾⁽³⁾⁽⁴⁾

| PARAMETER | | TEST CONDITIONS | MIN | TYP | MAX | UNIT |
|-----------|------------------|--|------|------|-----|------------------|
| C_{OUT} | Output capacitor | Capacitance for stability $0^\circ\text{C} \leq T_J \leq 125^\circ\text{C}$ | | 0.47 | | μF |
| | | $-40^\circ\text{C} \leq T_J \leq 125^\circ\text{C}$ | 0.33 | | | |
| | | $-40^\circ\text{C} \leq T_J \leq 125^\circ\text{C}$ | 0.68 | 1 | | |
| | | Equivalent series resistance (ESR) $T_J = -40^\circ\text{C}$ to 125°C | 5 | | 500 | $\text{m}\Omega$ |

7.7 Buck Converters SW1, SW2

Unless otherwise noted, $V_{IN} = 3.6\text{ V}$, $C_{IN} = 10\ \mu\text{F}$, $C_{OUT} = 10\ \mu\text{F}$, $L_{OUT} = 2.2\ \mu\text{H}$, and limits apply for $T_J = 25^\circ\text{C}$, unless otherwise specified. ⁽¹⁾⁽²⁾⁽³⁾⁽⁴⁾

| PARAMETER | | TEST CONDITIONS | MIN | TYP | MAX | UNIT |
|-------------------------|-------------------------------------|--|-----|--------|-----|------------------|
| V_{FB} ⁽⁵⁾ | Feedback voltage | | -3% | | 3% | |
| V_{OUT} | Line regulation | $2.8\text{ V} < V_{IN} < 5.5\text{ V}$ $I_{OUT} = 10\text{ mA}$ | | 0.089 | | $\%/V$ |
| | Load regulation | $100\text{ mA} < I_{OUT} < I_{MAX}$ | | 0.0013 | | $\%/mA$ |
| Eff | Efficiency | Load current = 250 mA | | 96% | | |
| I_{SHDN} | Shutdown supply current | EN is de-asserted | | 0.01 | 1 | μA |
| f_{OSC} | Internal oscillator frequency | Default oscillator frequency = 2 MHz | 1.6 | 2 | 2.4 | MHz |
| | | Default oscillator frequency = 2.1 MHz | | 2.1 | 2.5 | |
| | | Default oscillator frequency = 2.1 MHz $T_J = -40^\circ\text{C}$ to 125°C | 1.7 | | | |
| I_{PEAK} | Buck1 peak switching current limit | | | 2 | 2.4 | A |
| | Buck2 peak switching current limit | | | 2 | 2.4 | |
| I_Q | Quiescent current on ⁽⁶⁾ | No load PFM mode | | 33 | | μA |
| | | No load PWM mode (forced PWM) | | 2 | | mA |
| $R_{DSON(P)}$ | Pin-pin resistance PFET | | | 200 | 400 | $\text{m}\Omega$ |
| $R_{DSON(N)}$ | Pin-pin resistance NFET | | | 180 | 400 | |
| T_{ON} | Turnon time | Start-up from shutdown | | 500 | | μsec |
| C_{IN} | Input capacitor | Capacitance for stability | 10 | | | μF |
| C_{OUT} | Output capacitor | Capacitance for stability | 10 | | | |

(1) All voltages are with respect to the potential at the GND pin.

(2) Minimum (MIN) and maximum (MAX) limits are specified by design, test, or statistical analysis. Typical (TYP) numbers represent the most likely norm.

(3) C_{IN} , C_{OUT} : Low-ESR Surface-Mount Ceramic Capacitors (MLCCs) used in setting electrical characteristics.

(4) The device maintains a stable, regulated output voltage without a load.

(5) $V_{IN} \geq V_{OUT} + R_{DSON(P)}(I_{OUT} + 1/2 I_{RIPPLE})$. If these conditions are not met, voltage regulation will degrade as load increases.

(6) Quiescent current is defined here as the difference in current between the input voltage source and the load at V_{OUT} .

7.8 I/O Electrical Characteristics

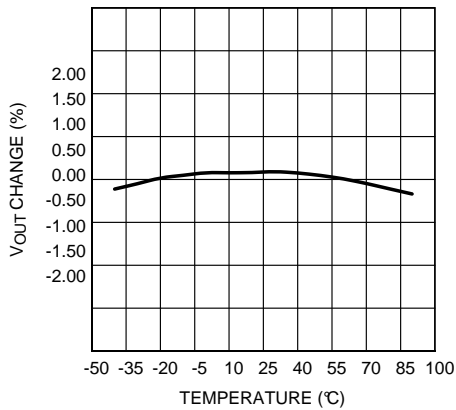
Limits apply over the entire junction temperature range for operation, $T_J = -40^{\circ}\text{C}$ to $+125^{\circ}\text{C}$.

| PARAMETER | | TEST CONDITIONS | MIN | TYP | MAX | UNIT |
|-----------|------------------|-----------------|---------------------|-----|-----|------|
| V_{IL} | Input low level | | | | 0.4 | V |
| V_{IH} | Input high level | | $0.7 \times V_{DD}$ | | | |

7.9 Power On Reset Threshold/Function (POR)

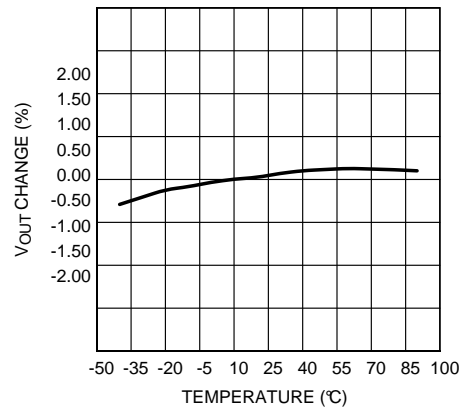
| PARAMETER | | TEST CONDITIONS | MIN | TYP | MAX | UNIT |
|----------------|---|------------------------------------|-----|------|-----|---------------|
| nPOR | nPOR = Power-on reset for Buck1 and Buck2 | Default = 60 ms | | 60 | | ms |
| | | Default = 130 μs | | 130 | | μs |
| nPOR Threshold | Percentage of target voltage Buck1 or Buck2 | V_{BUCK1} AND V_{BUCK2} rising | | 92% | | |
| | | V_{BUCK1} OR V_{BUCK2} falling | | 82% | | |
| V_{OL} | Output level low | Load = $I_{OL} = 500 \mu\text{A}$ | | 0.23 | 0.5 | V |

7.10 Typical Characteristics — LDO



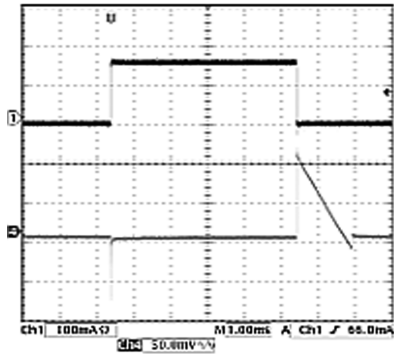
$V_{IN} = 3.6\text{ V}$ $V_{OUT} = 2.5\text{ V}$ Load = 100 mA

Figure 1. Output Voltage Change vs Temperature (LDO1)



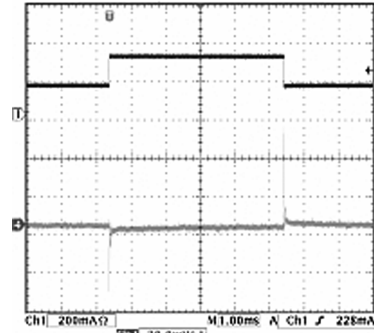
$V_{IN} = 3.6\text{ V}$ $V_{OUT} = 1.8\text{ V}$ Load = 100 mA

Figure 2. Output Voltage Change vs Temperature (LDO2)



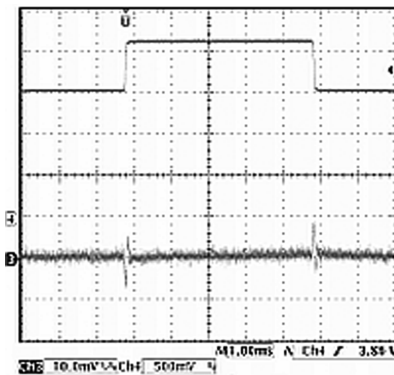
$V_{IN} = 3.6\text{ V}$ $V_{OUT} = 2.5\text{ V}$ Load = 0 to 150 mA

Figure 3. Load Transient



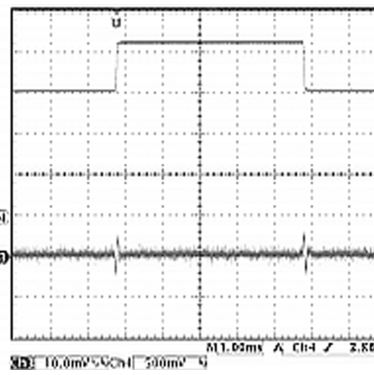
$V_{IN} = 3.6\text{ V}$ $V_{OUT} = 2.5\text{ V}$ Load = 150 to 300 mA

Figure 4. Load Transient



$V_{IN} = 3.6\text{ to }4.2\text{ V}$ $V_{OUT} = 2.5\text{ V}$ Load = 100 mA

Figure 5. Line Transient (LDO1)



$V_{IN} = 3.6\text{ to }4.2\text{ V}$ $V_{OUT} = 1.8\text{ V}$ Load = 150 mA

Figure 6. Line Transient (LDO2)

7.11 Typical Characteristics — Buck 2.8 V to 5.5 V

$V_{IN} = 2.8\text{ V to }5.5\text{ V}$, $T_A = 25^\circ\text{C}$

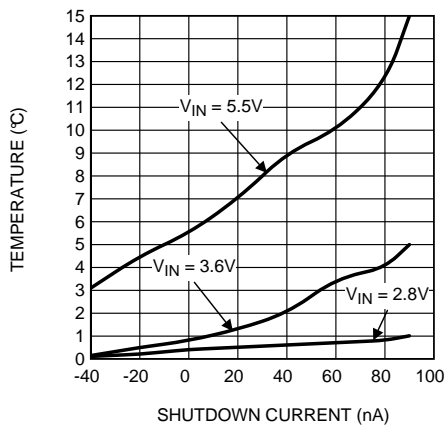
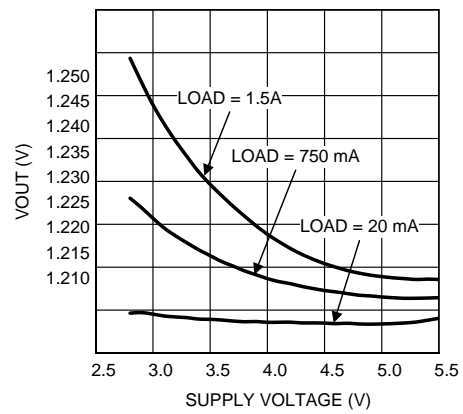
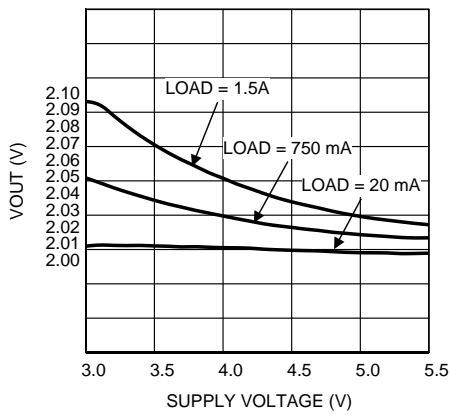


Figure 7. Shutdown Current vs. Temp



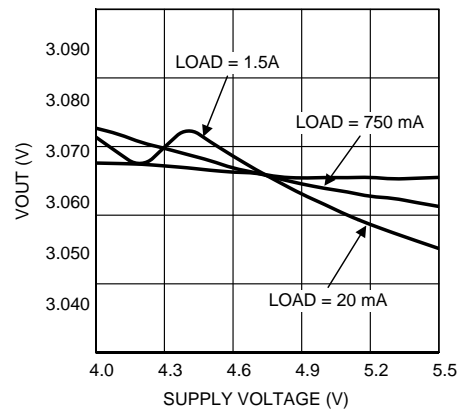
$V_{OUT} = 1.2\text{ V}$

Figure 8. Output Voltage vs. Supply Voltage



$V_{OUT} = 2\text{ V}$

Figure 9. Output Voltage vs. Supply Voltage

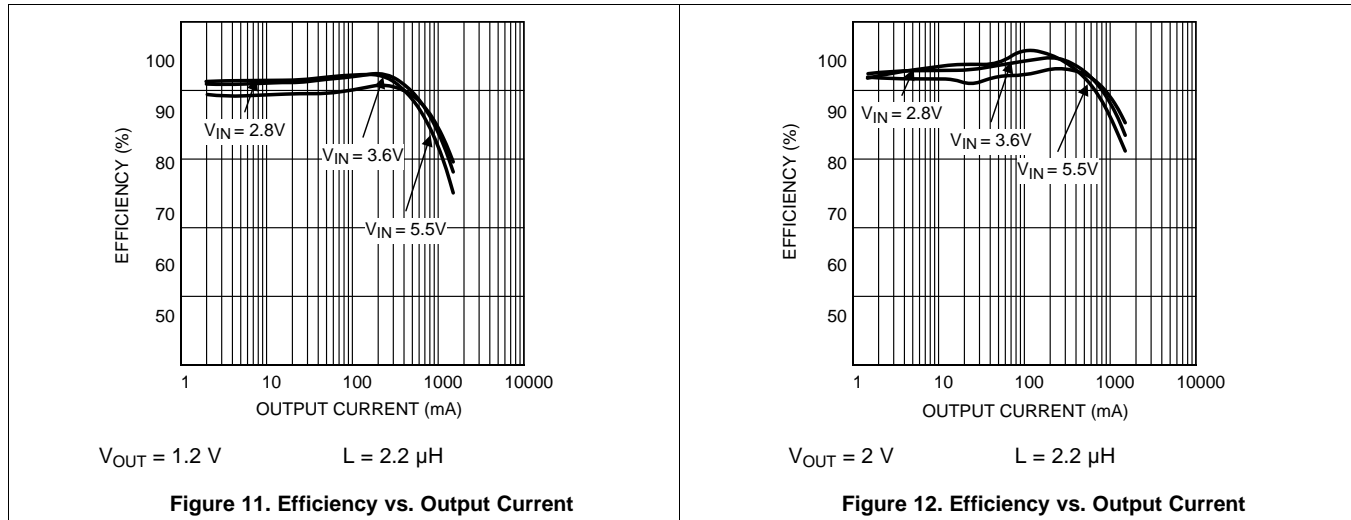


$V_{OUT} = 3\text{ V}$

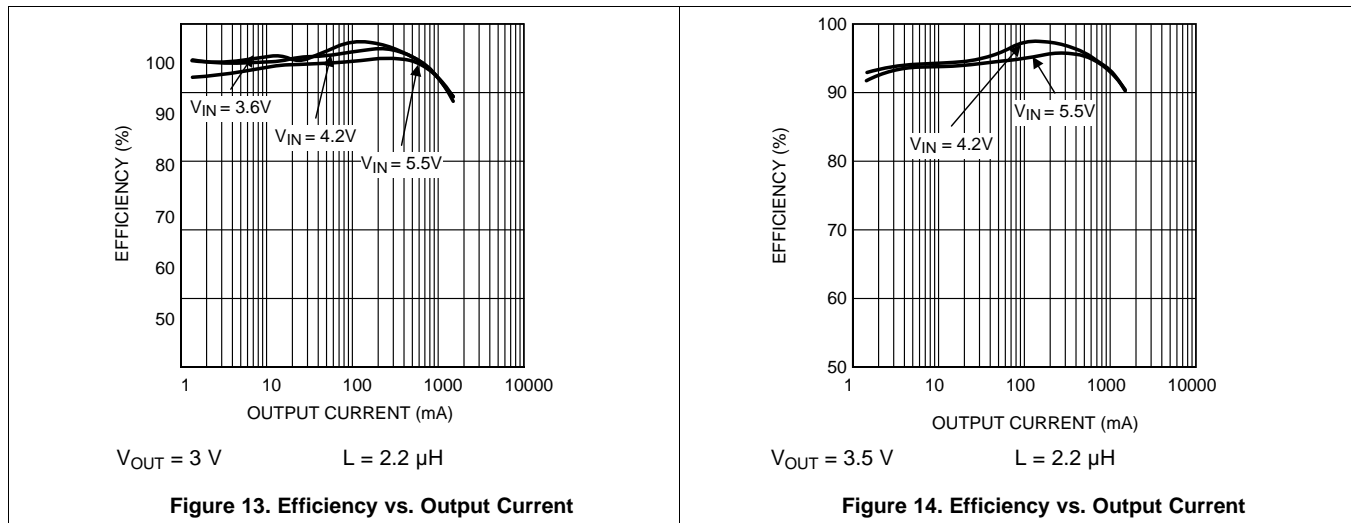
Figure 10. Output Voltage vs. Supply Voltage

7.12 Typical Characteristics — Bucks 1 and 2

Output current transitions from PFM mode to PWM mode for Buck 1.

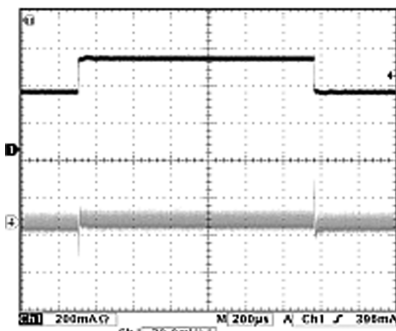


Output Current transitions from PWM mode to PFM mode for Buck 2.



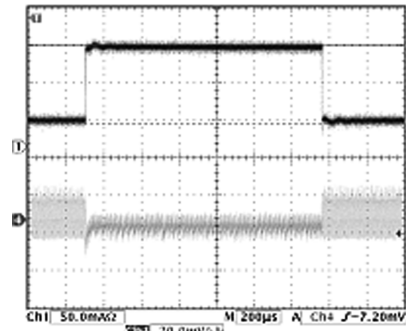
7.13 Typical Characteristics — Buck 3.6 V

$V_{IN} = 3.6\text{ V}$, $T_A = 25^\circ\text{C}$, $V_{OUT} = 1.2\text{ V}$ unless otherwise noted



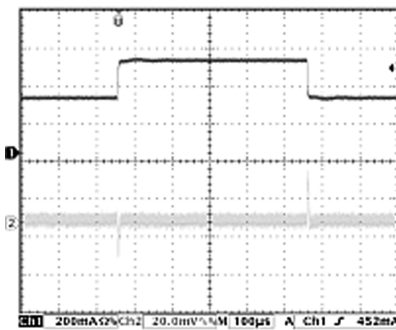
$V_{OUT} = 1.2\text{ V}$ (PWM Mode)

Figure 15. Load Transient Response



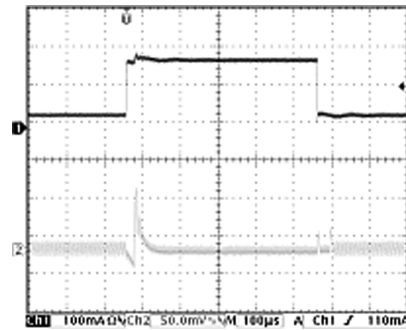
$V_{OUT} = 1.2\text{ V}$ (PWM To PFM)

Figure 16. Mode Change By Load Transients



$V_{IN} = 3.6\text{ to }4.2\text{ V}$ $V_{OUT} = 1.2\text{ V}$ Load = 250 mA

Figure 17. Line Transient Response



$V_{IN} = 3\text{ to }3.6\text{ V}$ $V_{OUT} = 3\text{ V}$ Load = 250 mA

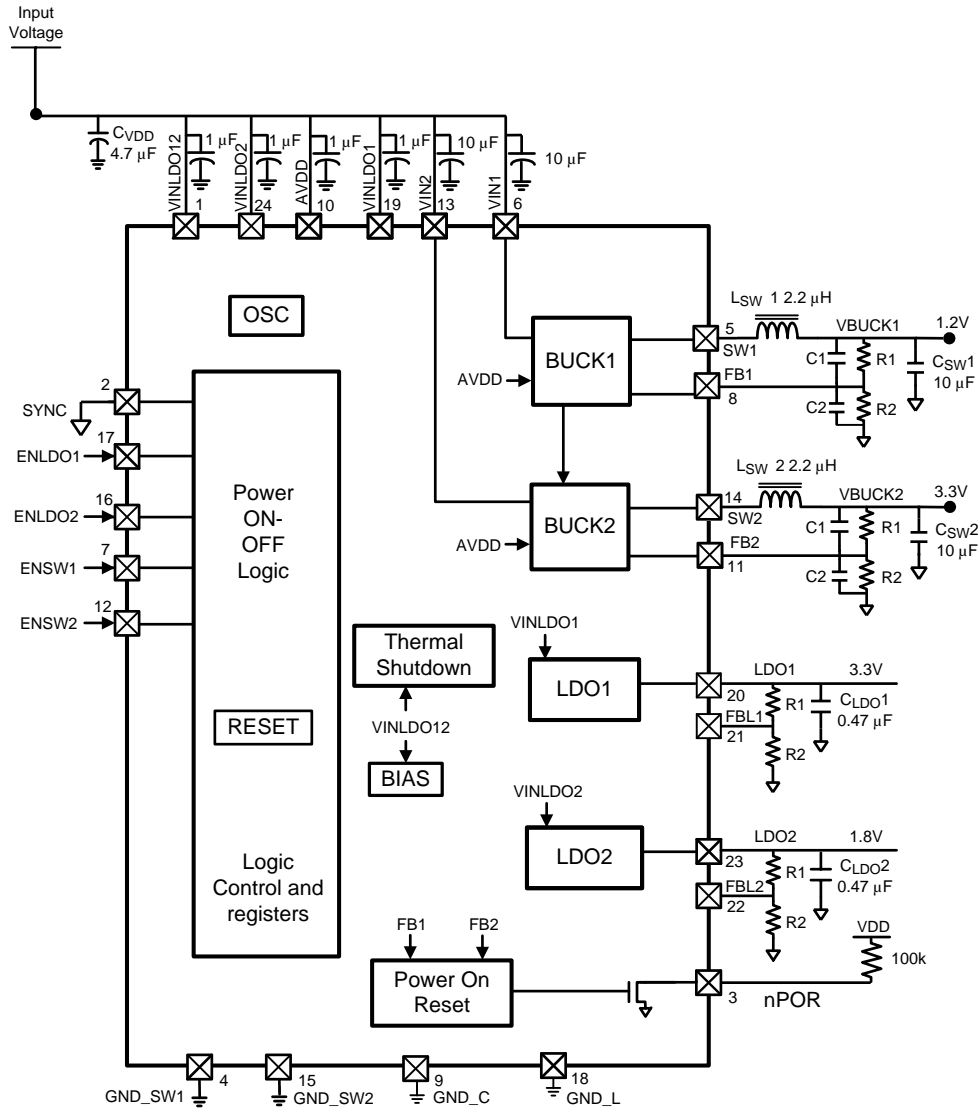
Figure 18. Line Transient Response

8 Detailed Description

8.1 Overview

The LM26480 is a multi-functional power management unit (PMU), optimized for low-power digital applications. This device integrates two highly efficient 1.5-A step-down DC-DC converters and two 300-mA linear regulators.

8.2 Functional Block Diagram



Copyright © 2016, Texas Instruments Incorporated

8.3 Feature Description

8.3.1 DC-DC Converters

The LM26480 provides the DC-DC converters that supply the various power needs of the application by means of two linear low dropout regulators, LDO1 and LDO2, and two buck converters, SW1 and SW2. Table 3 lists the output characteristics of the various regulators.

Table 3. Supply Specification

| SUPPLY | LOAD | OUTPUT | |
|--------|---------|----------------------------|---|
| | | V _{OUT} RANGE (V) | I _{MAX} MAXIMUM OUTPUT CURRENT (mA) |
| LDO1 | analog | 1 to 3.5 | 300 |
| LDO2 | analog | 1 to 3.5 | 300 |
| SW1 | digital | 0.8 to 2 | 1500 |
| SW2 | digital | 1 to 3.3 | 1500 |

8.3.1.1 Linear Low Dropout Regulators (LDOs)

LDO1 and LDO2 are identical linear regulators targeting analog loads characterized by low noise requirements. LDO1 and LDO2 are enabled through the ENLDO pin.

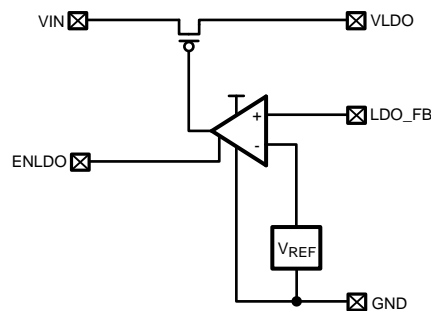


Figure 19. LDO Block Diagram

8.3.1.1.1 No-Load Stability

The LDOs remain stable and in regulation with no external load. This is an important consideration in some circuits, for example, CMOS RAM keep-alive applications.

8.3.1.2 SW1, SW2: Synchronous Step-Down Magnetic DC-DC Converters

8.3.1.2.1 Functional Description

The LM26480 incorporates two high-efficiency synchronous switching buck regulators, SW1 and SW2, that deliver a constant voltage from a single Li-Ion battery to the portable system processors. Using a voltage mode architecture with synchronous rectification, both bucks have the ability to deliver up to 1500 mA depending on the input voltage and output voltage (voltage headroom), and the inductor chosen (maximum current capability).

There are three modes of operation depending on the current required: PWM, PFM, and shutdown. PWM mode handles current loads of approximately 70 mA or higher, delivering voltage precision of $\pm 3\%$ with 90% efficiency or better. Lighter output current loads cause the device to automatically switch into PFM for reduced current consumption ($I_Q = 33 \mu\text{A}$ typical) and a longer battery life. The Standby operating mode turns off the device, offering the lowest current consumption. PWM or PFM mode is selected automatically or PWM mode can be forced through the setting of the buck control register.

Both SW1 and SW2 can operate up to a 100% duty cycle (PMOS switch always on) for low drop out control of the output voltage. In this way the output voltage will be controlled down to the lowest possible input voltage.

Additional features include soft-start, undervoltage lockout, current overload protection, and thermal overload protection.

The enable signal may be employed immediately after V_{IN} is applied to the device. However, V_{IN} must be stable for approximately 8 ms before enable signal be asserted high to ensure internal bias, reference, and the flexible POR timing are stabilized. This initial delay is necessary only upon first time device power on.

8.3.1.2.2 Circuit Operation Description

A buck converter contains a control block, a switching PFET connected between input and output, a synchronous rectifying NFET connected between the output and ground (BCKGND pin) and a feedback path. During the first portion of each switching cycle, the control block turns on the internal PFET switch. This allows current to flow from the input through the inductor to the output filter capacitor and load. The inductor limits the current to a ramp with a slope of

$$\frac{V_{IN} - V_{OUT}}{L} \quad (1)$$

by storing energy in a magnetic field. During the second portion of each cycle, the control block turns the PFET switch off, blocking current flow from the input, and then turns the NFET synchronous rectifier on. The inductor draws current from ground through the NFET to the output filter capacitor and load, which ramps the inductor current down with a slope of

$$\frac{-V_{OUT}}{L} \quad (2)$$

The output filter stores charge when the inductor current is high, and releases it when low, smoothing the voltage across the load.

8.3.1.2.3 Sync Function

The LM26480SQ-BF is the only version of the part that has the ability to use an external oscillator. The source must be 13 MHz nominal and operate within a range of 15.6 MHz and 10.4 MHz, proportionally the same limits as the 2-MHz internal oscillator. The LM26480SQ-BF has an internal divider which will divide the speed down by 6.5 to the nominal 2 MHz and use it for the regulators. This SYNC function replaces the internal oscillator and works in forced PWM only. The buck regulators no longer have the PFM function enabled. When the LM26480SQ-BF is sold with this feature enabled, the part will not function without the external oscillator present. Contact Texas Instruments Sales Office/Distributors for availability of LM26480SQ-BF.

8.3.1.2.4 PWM Operation

During PWM operation the converter operates as a voltage-mode controller with input voltage feed forward. This allows the converter to achieve excellent load and line regulation. The DC gain of the power stage is proportional to the input voltage. To eliminate this dependence, feed forward voltage inversely proportional to the input voltage is introduced.

8.3.1.2.5 Internal Synchronous Rectification

While in PWM mode, the buck uses an internal NFET as a synchronous rectifier to reduce rectifier forward voltage drop and associated power loss. Synchronous rectification provides a significant improvement in efficiency whenever the output voltage is relatively low compared to the voltage drop across an ordinary rectifier diode.

8.3.1.2.6 Current Limiting

A current limit feature allows the converter to protect itself and external components during overload conditions. PWM mode implements current limiting using an internal comparator that trips at 2 A for both bucks (typical). If the output is shorted to ground the device enters a timed current limit mode where the NFET is turned on for a longer duration until the inductor current falls below a low threshold, ensuring inductor current has more time to decay, thereby preventing runaway.

8.3.1.2.7 PFM Operation

At very light loads, the converter enters PFM mode and operates with reduced switching frequency and supply current to maintain high efficiency.

The part will automatically transition into PFM mode when either of two conditions occurs for a duration of 32 or more clock cycles:

1. The inductor current becomes discontinuous, or

2. The peak PMOS switch current drops below the I_{MODE} level.

$$\left(\text{Typically } I_{MODE} < 66 \text{ mA} + \frac{V_{IN}}{160\Omega} \right) \quad (3)$$

During PFM operation, the converter positions the output voltage slightly higher than the nominal output voltage during PWM operation, allowing additional headroom for voltage drop during a load transient from light to heavy load. The PFM comparators sense the output voltage via the feedback pin and control the switching of the output FETs such that the output voltage ramps between 0.8% and 1.6% (typical) above the nominal PWM output voltage. If the output voltage is below the 'high' PFM comparator threshold, the PMOS power switch is turned on. It remains on until the output voltage exceeds the *high* PFM threshold or the peak current exceeds the I_{PFM} level set for PFM mode. The typical peak current in PFM mode is:

$$I_{PFM} = 66 \text{ mA} + \frac{V_{IN}}{80\Omega} \quad (4)$$

Once the PMOS power switch is turned off, the NMOS power switch is turned on until the inductor current ramps to zero. When the NMOS zero-current condition is detected, the NMOS power switch is turned off. If the output voltage is below the 'high' PFM comparator threshold (see [Figure 20](#)), the PMOS switch is again turned on and the cycle is repeated until the output reaches the desired level. Once the output reaches the 'high' PFM threshold, the NMOS switch is turned on briefly to ramp the inductor current to zero and then both output switches are turned off and the part enters an extremely low power mode. Quiescent supply current during this 'sleep' mode is less than 30 μA , which allows the part to achieve high efficiencies under extremely light load conditions. When the output drops below the *low* PFM threshold, the cycle repeats to restore the output voltage to approximately 1.6% above the nominal PWM output voltage.

If the load current should increase during PFM mode (see [Figure 20](#)) causing the output voltage to fall below the 'low2' PFM threshold, the part will automatically transition into fixed-frequency PWM mode.

8.3.1.2.8 SW1, SW2 Control

SW1 and SW2 are enabled/disabled through the external enable pins.

The Modulation mode PWM/PFM is by default automatic and depends on the load (see [Functional Description](#)). The modulation mode can be factory trimmed, forcing the buck to operate in PWM mode regardless of the load condition.

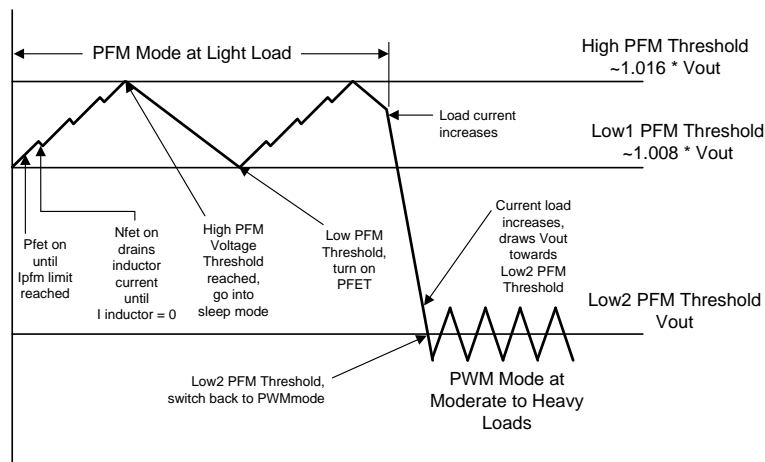


Figure 20. PWM/PFM Modulation

8.3.1.2.9 Shutdown Mode

During shutdown the PFET switch, reference, control and bias circuitry of the converters are turned off. The NFET switch will be on in shutdown to discharge the output. When the converter is enabled, soft start is activated. Disabling the converter during the system power up and undervoltage conditions is recommended when the supply is less than 2.8 V.

8.3.1.2.10 Soft Start

The soft-start feature allows the power converter to gradually reach the initial steady state operating point, thus reducing start-up stresses and surges. The two LM26480 buck converters have a soft-start circuit that limits in-rush current during start-up. During start-up the switch current limit is increased in steps. Soft start is activated only if EN goes from logic low to logic high after V_{IN} reaches 2.8 V. Soft start is implemented by increasing switch current limit in steps of 250 mA, 500 mA, 950 mA, and 2 A for both bucks (typical switch current limit). The start-up time thereby depends on the output capacitor and load current demanded at start-up.

8.3.1.2.11 Low Dropout Operation

The LM26480 can operate at 100% duty cycle (no switching; PMOS switch completely on) for low dropout support of the output voltage. In this way the output voltage will be controlled down to the lowest possible input voltage. When the device operates near 100% duty cycle, output voltage ripple is approximately 25 mV. The minimum input voltage needed to support the output voltage is

$$V_{IN, MIN} = I_{LOAD} \times (R_{DSON, PFET} + R_{INDUCTOR}) + V_{OUT}$$

where

- I_{LOAD} = Load current
 - $R_{DSON, PFET}$ = Drain to source resistance of PFET switch in the triode region
 - $R_{INDUCTOR}$ = Inductor resistance
- (5)

8.3.1.2.12 Flexible Power-On Reset (Power Good with Delay)

The LM26480 is equipped with an internal Power-On-Reset (POR) circuit which monitors the output voltage levels on bucks 1 and 2. The nPOR is an open drain logic output which is logic LOW when either of the buck outputs are below 92% of the rising value, or when one or both outputs fall below 82% of the desired value. The time delay between output voltage level and nPOR is enabled is (130 μ s, 60 ms, 100 ms, 200 ms), 60 ms by default. For any other delay option, other than the default, please consult a Texas Instruments Sales Representative. The system designer can choose the external pull-up resistor (value such as 100 k Ω) for the nPOR pin.

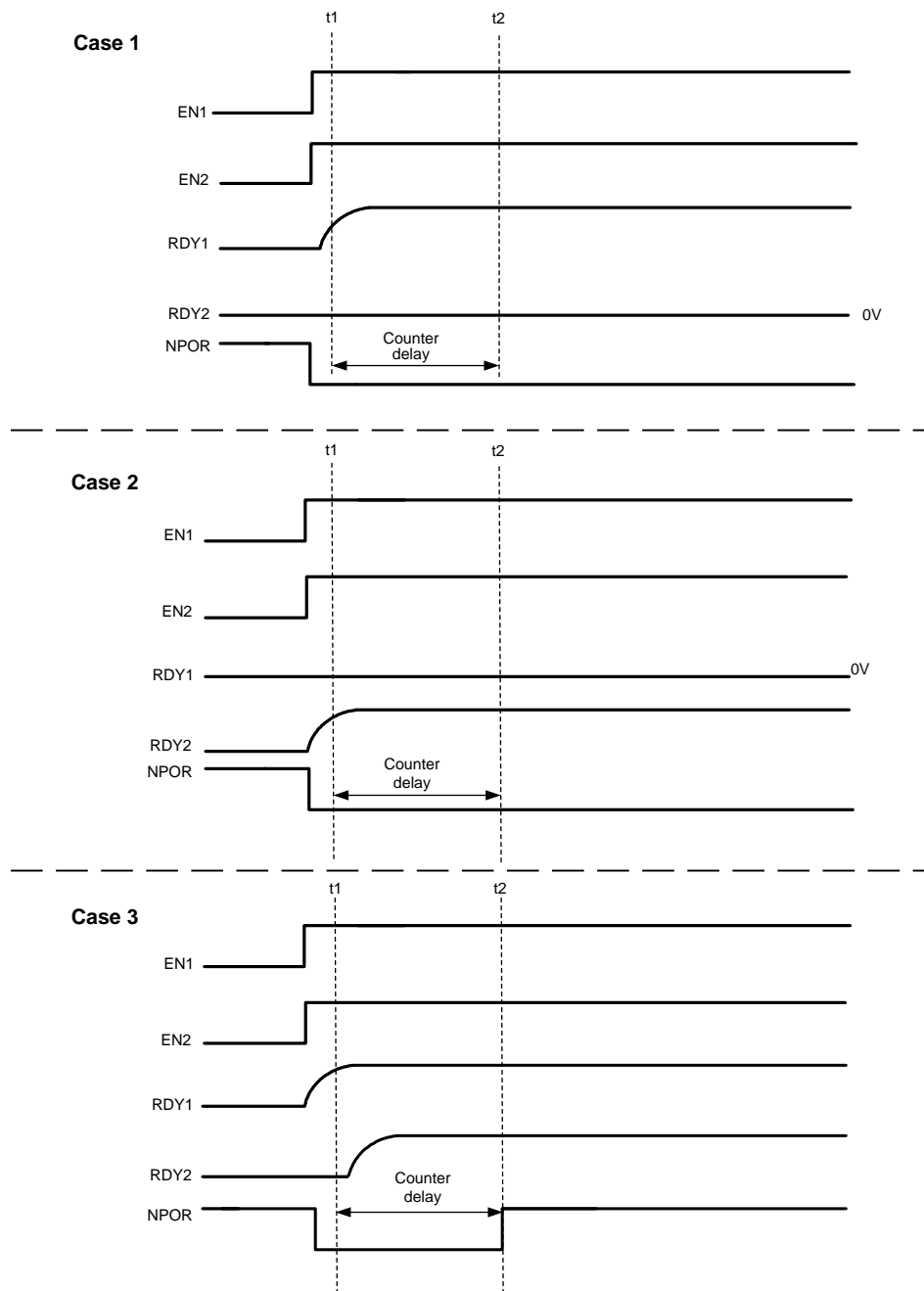


Figure 21. nPOR with Counter Delay

Figure 21 shows the simplest application of the POR where both switcher enables are tied together. In Case 1, EN1 causes nPOR to transition LOW and triggers the nPOR delay counter. If the power supply for Buck2 does not come on within that period, nPOR will stay LOW, indicating a power fail mode. Case 2 indicates the vice versa scenario if Buck1 supply did not come on. In both cases the nPOR remains LOW. Case 3 shows a typical application of the POR, where both switcher enables are tied together. Even if RDY1 ramps up slightly faster than RDY2 (or vice versa), the nPOR signal will trigger a programmable delay before going HIGH, as explained below.

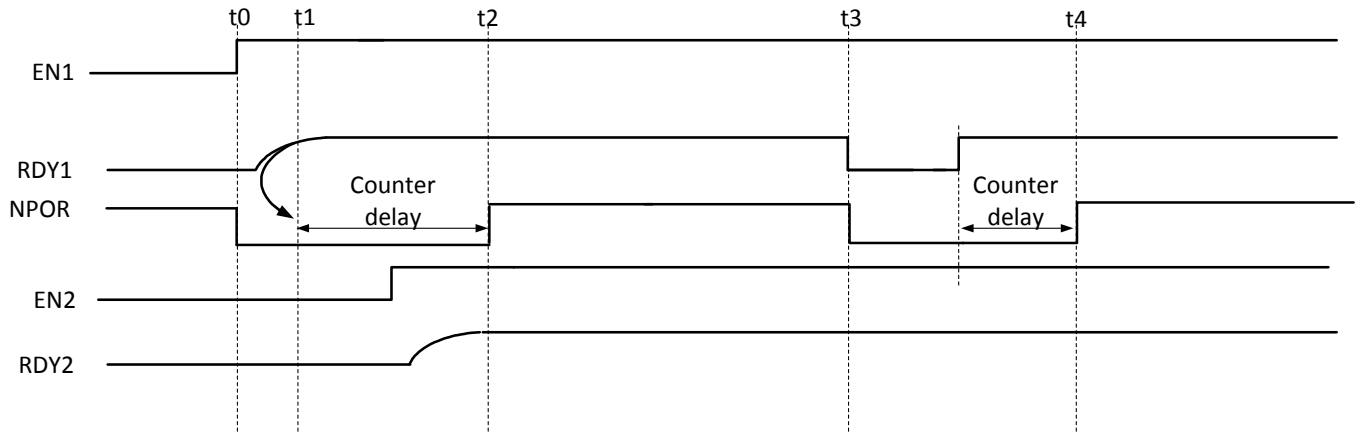


Figure 22. Faults Occurring in Counter Delay after Start-Up

Figure 22 details the Power Good with delay with respect to the enable signals EN1, and EN2. The RDY1, RDY2 are internal signals derived from the output of two comparators. Each comparator has been trimmed as follows:

Table 4. Comparator Trim

| COMPARATOR LEVEL | BUCK SUPPLY LEVEL |
|------------------|-------------------|
| HIGH | Greater than 92% |
| LOW | Less than 82% |

The circuits for EN1 and RDY1 are symmetrical to EN2 and RDY2, so each reference to EN1 and RDY1 will also work for EN2 and RDY2 and vice versa.

If EN1 and RDY1 signals are High at time t1, then the RDY1 signal rising edge triggers the programmable delay counter (130 μs, 60 ms, 100 ms, 200 ms). This delay forces nPOR LOW between time interval t1 and t2. NPOR is then pulled high after the programmable delay is completed. Now if EN2 and RDY2 are initiated during this interval the nPOR signal ignores this event.

If either RDY1 or RDY2 were to go LOW at t3 then the programmable delay is triggered again.

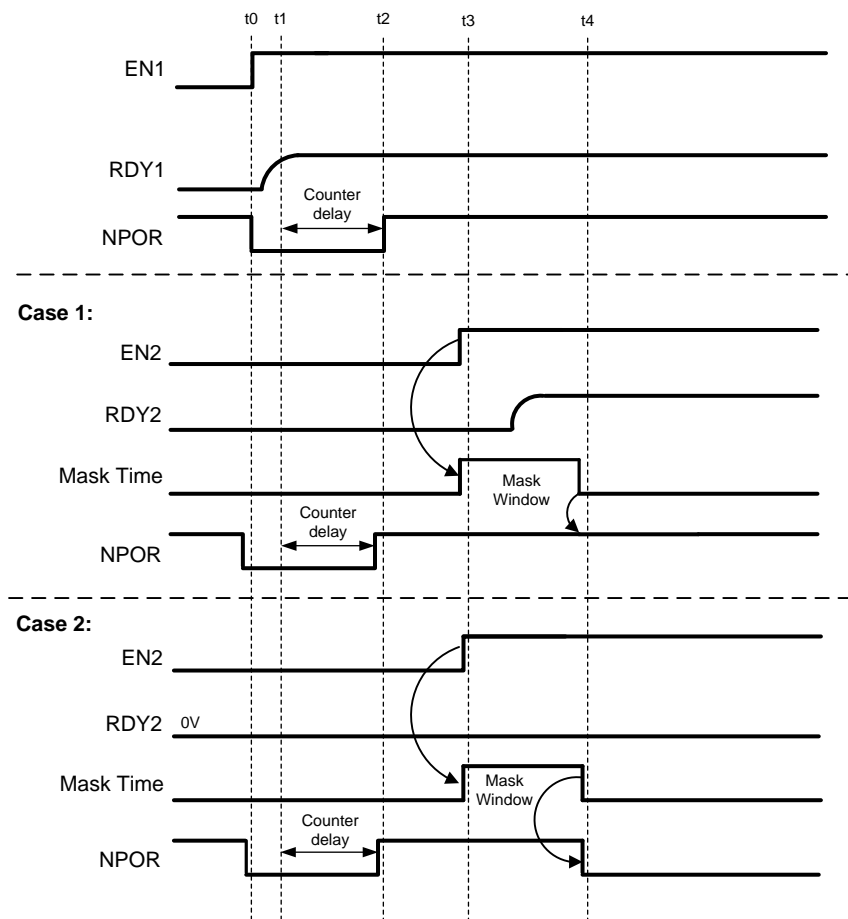


Figure 23. nPOR Mask Window

In Case 1 (Figure 23), we see that case where EN2 and RDY2 are initiated after triggered programmable delay. To prevent the nPOR being asserted again, a masked window (5 ms) counter delay is triggered off the EN2 rising edge. NPOR is still held HIGH for the duration of the mask, whereupon the nPOR status afterwards will depend on the status of both RDY1 and RDY2 lines.

In Case 2, we see the case where EN2 is initiated after the RDY1 triggered programmable delay, but RDY2 never goes HIGH (Buck2 never turns on). Normal operation operation of nPOR occurs with respect to EN1 and RDY1, and the nPOR signal is held HIGH for the duration of the mask window. We see that nPOR goes LOW after the masking window has timed out because it is now dependent on RDY1 and RDY2, where RDY2 is LOW.

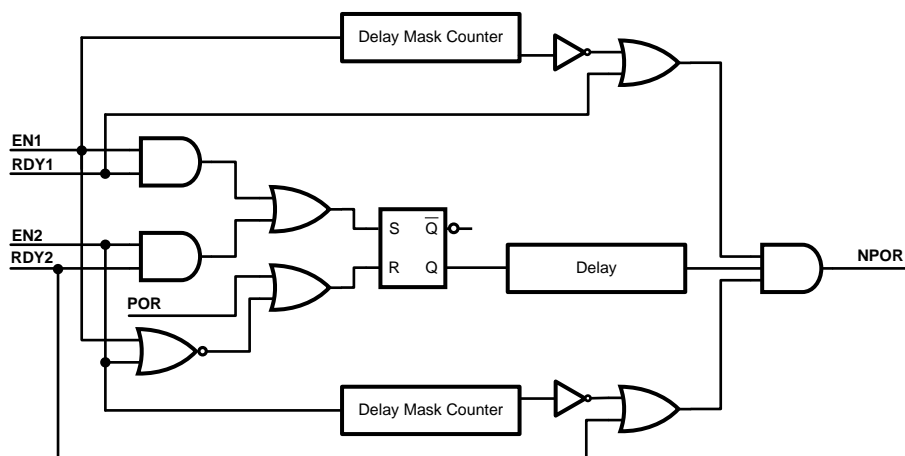


Figure 24. Design Implementation of the Flexible Power-On Reset

Design implementation of the flexible power-on reset. An internal power-on reset of the IC is used with EN1 and EN2 to produce a reset signal (LOW) to the delay timer nPOR. EN1 and RDY1 or EN2 and RDY2 are used to generate the set signal (HIGH) to the delay timer. $S = R = 1$ never occurs. The mask timers are triggered off EN1 and EN2 which are gated with RDY1, and RDY2 to generate outputs to the final AND gate to generate the nPOR.

8.3.1.2.13 Undervoltage Lockout

The LM26480 features an undervoltage lockout circuit. The function of this circuit is to continuously monitor the raw input supply voltage (VINLDO12) and automatically disable the four voltage regulators whenever this supply voltage is less than 2.8 VDC.

The circuit incorporates a bandgap based circuit that establishes the reference used to determine the 2.8 VDC trip point for a V_{IN} OK – Not OK detector. This V_{IN} OK signal is then used to gate the enable signals to the four regulators of the LM26480. When VINLDO12 is greater than 2.8 VDC the four **enables** control the four regulators; when VINLDO12 is less than 2.8 VDC the four regulators are **disabled** by the V_{IN} detector being in the *Not OK* state. The circuit has built-in hysteresis to prevent undesired signal variations.

8.4 Device Functional Modes

- External Programmable Output
- Up to 1.5 A output current for both Bucks
- External Power-on-Reset function for Buck1 and Buck2

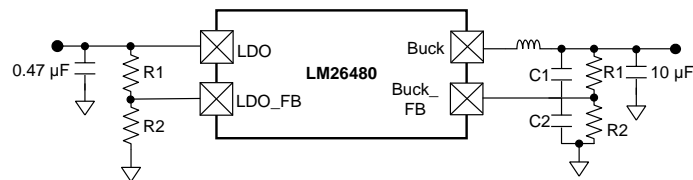
9 Application and Implementation

NOTE

Information in the following applications sections is not part of the TI component specification, and TI does not warrant its accuracy or completeness. TI's customers are responsible for determining suitability of components for their purposes. Customers should validate and test their design implementation to confirm system functionality.

9.1 Application Information

9.1.1 External Component Selection



Copyright © 2016, Texas Instruments Incorporated

Figure 25. LDO Block Diagram

Table 5. Buck External Component Selection

| TARGET V _{OUT} (V) | IDEAL RESISTOR VALUES | | COMMON R VALUES | | ACTUAL V _{OUT} w/ COM/R (V) | ACTUAL V _{OUT} DELTA FROM TARGET (V) | FEEDBACK CAPACITORS | | POWER RAIL |
|--------------------------------|-----------------------|---------|-----------------|---------|---|---|------------------------|---------|---------------|
| | R1 (KΩ) | R2 (KΩ) | R1 (KΩ) | R2 (KΩ) | | | C1 (pF) | C2 (pF) | |
| 0.8 | 120 | 200 | 121 | 200 | 0.803 | 0.002 | 15 | none | Buck1 |
| 0.9 | 160 | 200 | 162 | 200 | 0.905 | 0.005 | 15 | none | Only |
| 1 | 200 | 200 | 200 | 200 | 1 | 0 | 15 | none | ^ |
| 1.1 | 240 | 200 | 240 | 200 | 1.1 | 0 | 15 | none | |
| 1.2 | 280 | 200 | 280 | 200 | 1.2 | 0 | 12 | none | |
| 1.3 | 320 | 200 | 324 | 200 | 1.31 | 0.01 | 12 | none | Buck1 |
| 1.4 | 360 | 200 | 357 | 200 | 1.393 | -0.008 | 10 | none | And |
| 1.5 | 400 | 200 | 402 | 200 | 1.505 | 0.005 | 10 | none | Buck2 |
| 1.6 | 440 | 200 | 442 | 200 | 1.605 | 0.005 | 8.2 | none | |
| 1.7 | 427 | 178 | 432 | 178 | 1.713 | 0.013 | 8.2 | none | |
| 1.8 | 463 | 178 | 464 | 178 | 1.803 | 0.003 | 8.2 | none | |
| 1.9 | 498 | 178 | 499 | 178 | 1.902 | 0.002 | 8.2 | none | |
| 2 | 450 | 150 | 453 | 150 | 2.01 | 0.01 | 8.2 | none | > |
| 2.1 | 480 | 150 | 475 | 150 | 2.083 | -0.017 | 8.2 | none | ^ |
| 2.2 | 422 | 124 | 422 | 124 | 2.202 | 0.002 | 8.2 | none | |
| 2.3 | 446 | 124 | 442 | 124 | 2.282 | -0.018 | 8.2 | none | |
| 2.4 | 471 | 124 | 475 | 124 | 2.415 | 0.015 | 8.2 | none | |
| 2.5 | 400 | 100 | 402 | 100 | 2.51 | 0.01 | 8.2 | none | |
| 2.6 | 420 | 100 | 422 | 100 | 2.61 | 0.01 | 8.2 | none | |
| 2.7 | 440 | 100 | 442 | 100 | 2.71 | 0.01 | 8.2 | 33 | Buck2 |
| 2.8 | 460 | 100 | 464 | 100 | 2.82 | 0.02 | 8.2 | 33 | Only |
| 2.9 | 480 | 100 | 475 | 100 | 2.875 | -0.025 | 8.2 | 33 | |
| 3 | 500 | 100 | 499 | 100 | 2.995 | -0.005 | 6.8 | 33 | |
| 3.1 | 520 | 100 | 523 | 100 | 3.115 | 0.015 | 6.8 | 33 | |
| 3.2 | 540 | 100 | 536 | 100 | 3.18 | -0.02 | 6.8 | 33 | |
| 3.3 | 560 | 100 | 562 | 100 | 3.31 | 0.01 | 6.8 | 33 | |

The output voltages of the bucks of the LM26480 are established by the feedback resistor dividers R1 and R2 shown on the application circuit above. Equation 6 shows how to determine what value of V is:

$$V_{OUT} = V_{FB} (R1+R2)/R2$$

where

- V_{FB} is the voltage on the Buck FBx pin. (6)

The Buck control loop will force the voltage on V_{FB} to be 0.50 V \pm 3%.

Table 5 shows ideal resistor values to establish buck voltages from 0.8 V to 3.3 V along with common resistor values to establish these voltages. Common resistors do not always produce the target value, error is given in the delta column.

In addition to the resistor feedback, capacitor feedback C1 is always required, and depending on the output voltage capacitor C2 is also required.

| INDUCTOR | VALUE | UNIT | DESCRIPTION | NOTES |
|--------------------|-------|---------|----------------|-------------------|
| L _{SW1,2} | 2.2 | μ H | SW1,2 inductor | DCR 70 m Ω |

9.1.2 Feedback Resistors for LDOs

See Figure 25.

Table 6. LDO External Component Selection

| TARGET V_{OUT} (V) | IDEAL RESISTOR VALUES | | COMMON R VALUES | | ACTUAL V_{OUT} W/Com/R (V) |
|----------------------|-----------------------|------------------|------------------|------------------|------------------------------|
| | R1 (K Ω) | R2 (K Ω) | R1 (K Ω) | R2 (K Ω) | |
| 1 | 200 | 200 | 200 | 200 | 1 |
| 1.1 | 240 | 200 | 240 | 200 | 1.1 |
| 1.2 | 280 | 200 | 280 | 200 | 1.2 |
| 1.3 | 320 | 200 | 324 | 200 | 1.31 |
| 1.4 | 360 | 200 | 357 | 200 | 1.393 |
| 1.5 | 400 | 200 | 402 | 200 | 1.505 |
| 1.6 | 440 | 200 | 442 | 200 | 1.605 |
| 1.7 | 480 | 200 | 562 | 232 | 1.711 |
| 1.8 | 520 | 200 | 604 | 232 | 1.802 |
| 1.9 | 560 | 200 | 562 | 200 | 1.905 |
| 2 | 600 | 200 | 604 | 200 | 2.01 |
| 2.1 | 640 | 200 | 715 | 221 | 2.118 |
| 2.2 | 680 | 200 | 681 | 200 | 2.203 |
| 2.3 | 720 | 200 | 806 | 226 | 2.283 |
| 2.4 | 760 | 200 | 845 | 221 | 2.412 |
| 2.5 | 800 | 200 | 750 | 187 | 2.505 |
| 2.6 | 840 | 200 | 909 | 215 | 2.614 |
| 2.7 | 880 | 200 | 1100 | 249 | 2.709 |
| 2.8 | 920 | 200 | 1150 | 249 | 2.809 |
| 2.9 | 960 | 200 | 1210 | 255 | 2.873 |
| 3 | 1000 | 200 | 1000 | 200 | 3 |
| 3.1 | 1040 | 200 | 1000 | 191 | 3.118 |
| 3.2 | 1080 | 200 | 1000 | 187 | 3.174 |
| 3.3 | 1120 | 200 | 1210 | 215 | 3.314 |
| 3.4 | 1160 | 200 | 1210 | 210 | 3.381 |
| 3.5 | 1200 | 200 | 1210 | 200 | 3.525 |

The output voltages of the LDOs of the LM26480 are established by the feedback resistor dividers R1 and R2 shown on Figure 25 above. Equation 7 shows calculation for V_{OUT} :

$$V_{OUT} = V_{FB}(R1+R2)/R2$$

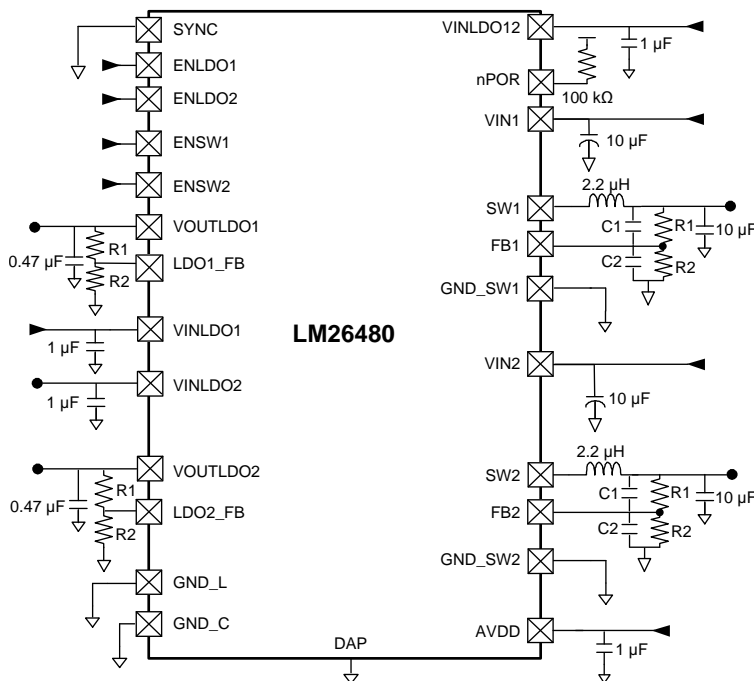
where

- V_{FB} is the voltage on the LDOX_FB pin. (7)

The LDO control loop will force the voltage on V_{FB} to be $0.50\text{ V} \pm 3\%$. The above table shows ideal resistor values to establish LDO voltages from 1 V to 3.5 V along with common resistor values to establish these voltages. Common resistors do not always produce the target value, error is given in the final column.

To keep the power consumed by the feedback network low it is recommended that R2 be established as about 200 k Ω . Lesser values of R2 are okay at the users discretion.

9.2 Typical Application



Copyright © 2016, Texas Instruments Incorporated

Figure 26. LM26480 Application Circuit

Typical Application (continued)

9.2.1 Design Requirements

9.2.1.1 High V_{IN} - High Load Operation

Additional information is provided when the device is operated at extremes of V_{IN} and regulator loads. These are described in terms of the junction temperature and buck output ripple management.

9.2.1.2 Junction Temperature

The maximum junction temperature $T_{J-MAX-OP}$ of 125°C of the device package.

Equation 8 and Equation 9 demonstrate junction temperature determination, ambient temperature T_{A-MAX} , and total chip power must be controlled to keep T_J below this maximum:

$$T_{J-MAX-OP} = T_{A-MAX} + (R_{\theta JA}) [^{\circ}\text{C/Watt}] \times (P_{D-MAX}) [\text{Watts}] \quad (8)$$

Total IC power dissipation P_{D-MAX} is the sum of the individual power dissipation of the four regulators plus a minor amount for chip overhead. Chip overhead is bias, TSD, and LDO analog.

$$P_{D-MAX} = PLDO1 + PLDO2 + PBUCK1 + PBUCK2 + (0.0001A * V_{IN}) [\text{Watts}]$$

$$\text{Power dissipation of LDO1 (PLDO1)} = (V_{INLDO1} - V_{OUTLDO1}) * I_{OUTLDO1} [V * A]$$

$$\text{Power dissipation of LDO2 (PLDO2)} = (V_{INLDO2} - V_{OUTLDO2}) * I_{OUTLDO2} [V * A]$$

$$\text{Power dissipation of Buck1 (PBuck1)} = P_{IN} - P_{OUT} = V_{OUTBUCK1} * I_{OUTBUCK1} * (1 / \eta_1 - 1) [V * A]$$

η_1 = efficiency of Buck1

$$\text{Power dissipation of Buck2 (PBuck2)} = P_{IN} - P_{OUT} = V_{OUTBUCK2} * I_{OUTBUCK2} * (1 / \eta_2 - 1) [V * A]$$

η_2 = efficiency of Buck2

where

- η is the efficiency for the specific condition is taken from efficiency graphs. (9)

If V_{IN} and I_{LOAD} increase, the output ripple associated with the buck regulators also increases. This mainly occurs with $V_{IN} > 5.2$ V and a load current greater than 1.2 A. To ensure operation in this area of operation, TI recommends that the system designer circumvents the output ripple issues by installing Schottky diodes on the bucks(s) that are expected to perform under these extreme conditions.

9.2.2 Detailed Design Procedure

9.2.2.1 Output Inductors and Capacitors for SW1 AND SW2

There are several design considerations related to the selection of output inductors and capacitors:

- Load transient response;
- Stability;
- Efficiency;
- Output ripple voltage; and
- Overcurrent ruggedness.

The LM26480 has been optimized for use with nominal values 2.2 μH and 10 μF . If other values are needed for the design, please contact Texas Instruments sales with any concerns.

9.2.2.1.1 Inductor Selection for SW1 and SW2

TI recommends a nominal inductor value of 2.2 μH . It is important to ensure the inductor core does not saturate during any foreseeable operational situation.

Care should be taken when reviewing the different saturation current ratings that are specified by different manufacturers. Saturation current ratings are typically specified at 25°C, so ratings at maximum ambient temperature of the application should be requested from the manufacturer.

There are two methods to choose the inductor saturation current rating:

Recommended method:

Typical Application (continued)

The best way to ensure the inductor does not saturate is to choose an inductor that has saturation current rating greater than the maximum LM26480 current limit of 2.4 A. In this case the device prevents inductor saturation.

Alternate method:

If the recommended approach cannot be used, care must be taken to ensure that the saturation current is greater than the peak inductor current:

$$I_{SAT} > I_{LPEAK}$$

$$I_{LPEAK} = I_{OUTMAX} + \frac{I_{RIPPLE}}{2}$$

$$I_{RIPPLE} = \frac{D \times (V_{IN} - V_{OUT})}{L \times F}$$

$$D = \frac{V_{OUT}}{V_{IN} \times EFF}$$

- I_{SAT} : Inductor saturation current at operating temperature
- I_{LPEAK} : Peak inductor current during worst case conditions
- I_{OUTMAX} : Maximum average inductor current
- I_{RIPPLE} : Peak-to-peak inductor current
- V_{OUT} : Output voltage
- V_{IN} : Input voltage
- L: Inductor value in Henries at I_{OUTMAX}
- F: Switching frequency, Hertz
- D: Estimated duty factor
- EFF: Estimated power supply efficiency (10)

I_{SAT} may not be exceeded during any operation, including transients, start-up, high temperature, worst-case conditions, etc.

9.2.2.1.2 Suggested Inductors and Their Suppliers

| MODEL | MANUFACTURER | DIMENSIONS (mm) | DCR (max) (mΩ) | $I_{SATURATION}$ (A) (values approx.) |
|------------------|--------------|-----------------|----------------|--|
| DO3314-222MX | Coilcraft | 3.3 × 3.3 × 1.4 | 200 | 1.8 |
| LPO3310-222MX | Coilcraft | 3.3 × 3.3 × 1 | 150 | 1.3 |
| ELL6PG2R2N | Panasonic | 6 × 6 × 2 | 37 | 2.2 |
| ELC6GN2R2N | Panasonic | 6 × 6 × 1.5 | 53 | 1.9 |
| CDRH2D14NP-2R2NC | Sumida | 3.2 × 3.2 × 1.5 | 94 | 1.5 |

9.2.2.2 Output Capacitor Selection for SW1 and SW2

TI recommends a ceramic output capacitor of 10 μF, 6.3 V with an ESR of less than 500 mΩ.

Output ripple can be estimated from the vector sum of the reactive (capacitor) voltage component and the real (ESR) voltage component of the output capacitor.

$$V_{COUT} = \frac{I_{RIPPLE}}{8 \times F \times C_{OUT}}$$

$$V_{ROUT} = I_{RIPPLE} \times ESR_{COUT}$$

$$V_{PPOUT} = \sqrt{V_{COUT}^2 + V_{ROUT}^2}$$

- V_{COUT} : Estimated reactive output ripple
- V_{ROUT} : Estimated real output ripple
- V_{PPOUT} : Estimated peak-to-peak output ripple (11)

The output capacitor needs to be mounted as close as possible to the output pin of the device. For better temperature performance, X7R or X5R types are recommended. DC bias characteristics of ceramic capacitors must be considered when selecting case sizes like 0805 and 0603.

DC bias characteristics vary from manufacturer to manufacturer and by case size. DC bias curves should be requested from them as part of the capacitor selection process. ESR is typically higher for smaller packages.

The output filter capacitor smooths out current flow from the inductor to the load, helps maintain a steady output voltage during transient load changes and reduces output voltage ripple. These capacitors must be selected with sufficient capacitance and sufficiently low ESR to perform these functions.

Note that the output voltage ripple is dependent on the inductor current ripple and the equivalent series resistance of the output capacitor (ESR_{COUT}). ESR_{COUT} is frequency dependent as well as temperature dependent. The R_{ESR} should be calculated with the applicable switching frequency and ambient temperature.

9.2.2.3 Input Capacitor Selection for SW1 and SW2

It is required to use a ceramic input capacitor of at least 4.7 μF and 6.3 V with an ESR of less than 500 m Ω .

The input power source supplies average current continuously. During the PFET switch on-time, however, the demanded di/dt is higher than can be typically supplied by the input power source. This delta is supplied by the input capacitor.

A simplified “worst case” assumption is that all of the PFET current is supplied by the input capacitor. This will result in conservative estimates of input ripple voltage and capacitor RMS current. Input ripple voltage is estimated in [Equation 12](#):

$$V_{PPIN} = \frac{I_{OUT} \times D}{C_{IN} \times F} + I_{OUT} \times ESR_{CIN}$$

- V_{PPIN} : Estimated peak-to-peak input ripple voltage
 - I_{OUT} : Output current, Amps
 - C_{IN} : Input capacitor value, Farads
 - ESR_{IN} : Input capacitor ESR, Ohms
- (12)

This capacitor is exposed to significant RMS current, so it is important to select a capacitor with an adequate RMS current rating. Capacitor RMS current estimated as follows:

$$I_{RMSCIN} = \sqrt{D \times \left(I_{OUT}^2 + \frac{I_{RIPPLE}^2}{12} \right)}$$

- I_{RSCIN} : Estimated input capacitor RMS current
- (13)

Table 7. Suggested Capacitors and Their Suppliers

| MODEL | TYPE | VENDOR | VOLTAGE RATING (V) | CASE SIZE |
|---|--------------|-------------|--------------------|--------------|
| 4.7 μF for CIN | | | | |
| C2012X5R0J475K | Ceramic, X5R | TDK | 6.3 | 0805, (2012) |
| JMK212BJ475K | Ceramic, X5R | Taiyo-Yuden | 6.3 | 0805, (2012) |
| GRM21BR60J475K | Ceramic, X5R | Murata | 6.3 | 0805, (2012) |
| C1608X5R0J475K | Ceramic, X5R | TDK | 6.3 | 0603, (1608) |
| 10 μF for COUT | | | | |
| GRM21BR60J106K | Ceramic, X5R | Murata | 6.3 | 0805, (2012) |
| JMK212BJ106K | Ceramic, X5R | Taiyo-Yuden | 6.3 | 0805, (2012) |
| C2012X5R0J106K | Ceramic, X5R | TDK | 6.3 | 0805, (2012) |
| C1608X5R0J106K | Ceramic, X5R | TDK | 6.3 | 0603, (1608) |

9.2.2.4 LDO Capacitor Selection

9.2.2.4.1 Input Capacitor

An input capacitor is required for stability. TI recommends that a 1- μF capacitor be connected between the LDO input pin and ground (this capacitance value may be increased without limit). This capacitor must be located a distance of not more than 1 cm from the input pin and returned to a clean analog ground. Any good quality ceramic, tantalum, or film capacitor may be used at the input.

CAUTION

Tantalum capacitors can suffer catastrophic failures due to surge currents when connected to a low impedance source of power (like a battery or a very large capacitor). If a tantalum capacitor is used at the input, it must be specified by the manufacturer to have a surge current rating sufficient for the application.

There are no requirements for the ESR on the input capacitor, but tolerance and temperature coefficient must be considered when selecting the capacitor to ensure the capacitance will remain approximately 1 μF over the entire operating temperature range.

9.2.2.4.2 Output Capacitor

The LDOs on the LM26480 are designed specifically to work with very small ceramic output capacitors. A 1- μF ceramic capacitor (temperature types Z5U, Y5V, or X7R) with ESR between 5 m Ω to 500 m Ω , are suitable in the application circuit. It is also possible to use tantalum or film capacitors at the device output C_{OUT} (or V_{OUT}), but these are not as attractive for reasons of size and cost. The output capacitor must meet the requirement for the minimum value of capacitance and also have an ESR value that is within the range 5 m Ω to 500 m Ω for stability.

9.2.2.4.3 Capacitor Characteristics

The LDOs are designed to work with ceramic capacitors on the output to take advantage of the benefits they offer. For capacitance values in the range of 0.47 μF to 4.7 μF , ceramic capacitors are the smallest, least expensive and have the lowest ESR values, thus making them best for eliminating high frequency noise. The ESR of a typical 1- μF ceramic capacitor is in the range of 20 m Ω to 40 m Ω , which easily meets the ESR requirement for stability for the LDOs.

For both input and output capacitors, careful interpretation of the capacitor specification is required to ensure correct device operation. The capacitor value can change greatly, depending on the operating conditions and capacitor type.

In particular, the output capacitor selection should take account of all the capacitor parameters, to ensure that the specification is met within the application. The capacitance can vary with DC bias conditions as well as temperature and frequency of operation. Capacitor values will also show some decrease over time due to aging. The capacitor parameters are also dependent on the particular case size, with smaller sizes giving poorer performance figures in general. As an example, [Figure 27](#) shows a typical graph comparing different capacitor case sizes in a capacitance vs. DC bias plot.

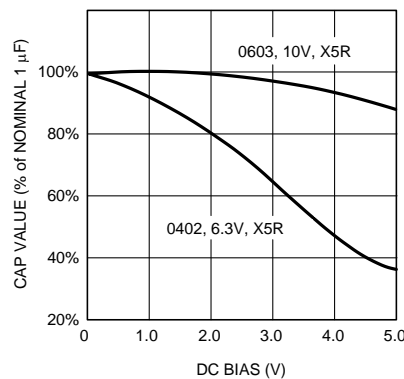


Figure 27. Capacitance vs DC Bias

As shown in [Figure 27](#), increasing the DC bias condition can result in the capacitance value that falls below the minimum value given in the recommended capacitor specifications table. Note that the graph shows the capacitance out of spec for the 0402 case size capacitor at higher bias voltages. It is therefore recommended that the capacitor manufacturers' specifications for the nominal value capacitor are consulted for all conditions, as some capacitor sizes (such as 0402) may not be suitable in the actual application.

The ceramic capacitor's capacitance can vary with temperature. The capacitor type X7R, which operates over a temperature range of -55°C to 125°C , will only vary the capacitance to within $\pm 15\%$. The capacitor type X5R has a similar tolerance over a reduced temperature range of -55°C to 85°C . Many large value ceramic capacitors, larger than $1\ \mu\text{F}$ are manufactured with Z5U or Y5V temperature characteristics. Their capacitance can drop by more than 50% as the temperature varies from 25°C to 85°C . Therefore X7R is recommended over Z5U and Y5V in applications where the ambient temperature will change significantly above or below 25°C .

Tantalum capacitors are less desirable than ceramic for use as output capacitors because they are more expensive when comparing equivalent capacitance and voltage ratings in the $0.47\text{-}\mu\text{F}$ to $4.7\text{-}\mu\text{F}$ range. Another important consideration is that tantalum capacitors have higher ESR values than equivalent size ceramics. This means that while it may be possible to find a tantalum capacitor with an ESR value within the stable range, it would have to be larger in capacitance (which means bigger and more costly) than a ceramic capacitor with the same ESR value. It should also be noted that the ESR of a typical tantalum will increase about 2:1 as the temperature goes from 25°C down to -40°C , so some guard band must be allowed.

Table 8. Capacitor Characteristics

| CAPACITOR | MIN VALUE (μF) | DESCRIPTION | RECOMMENDED TYPE |
|-----------|-----------------------------|-----------------------|--------------------|
| CLDO1 | 0.47 | LDO1 output capacitor | Ceramic, 6.3V, X5R |
| CLDO2 | 0.47 | LDO2 output capacitor | |
| CSW1 | 10 | SW1 output capacitor | |
| CSW2 | 10 | SW2 output capacitor | |

9.2.3 Application Curves

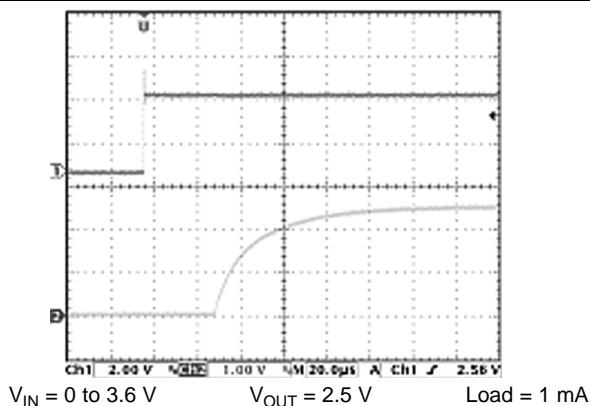


Figure 28. Enable Start-Up Time (LDO1)

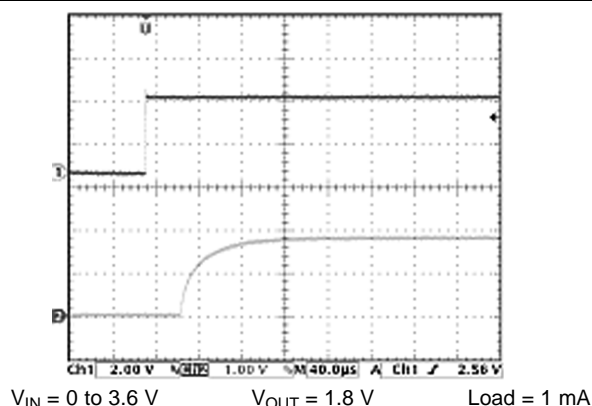


Figure 29. Enable Start-Up Time (LDO2)

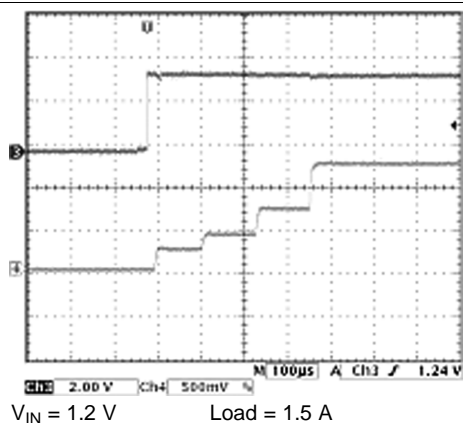


Figure 30. Start-Up Into PWM Mode

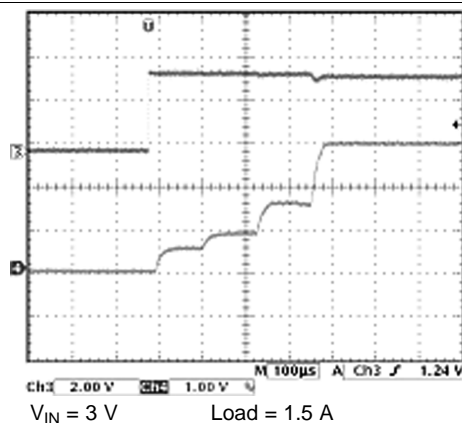


Figure 31. Start-Up Into PWM Mode

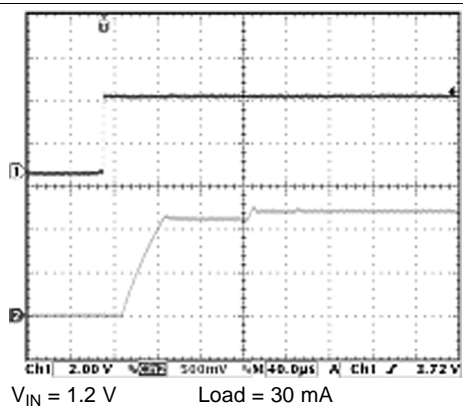


Figure 32. Start-Up Into PFM Mode

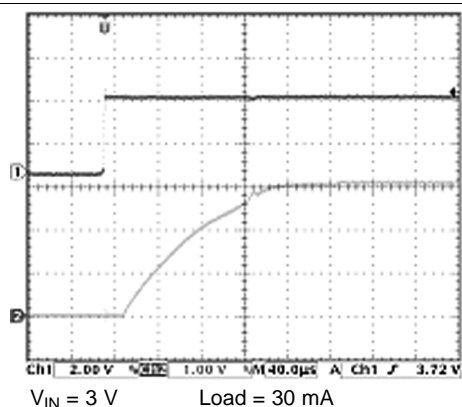


Figure 33. Start-Up Into PFM Mode

10 Power Supply Recommendations

All power inputs should be tied to the main VDD source (that is, a battery), unless the user wishes to power it from another source. (that is, powering LDO from Buck output).

The analog VDD inputs power the internal bias and error amplifiers, so they should be tied to the main VDD. The analog VDD inputs must have an input voltage between 2.8 V and 5.5 V, as specified in the [Recommended Operating Conditions: Bucks](#) section of this datasheet.

The other V_{IN} pins (VINLDO1, VINLDO2, VIN1, VIN2) can actually have inputs lower than 2.8 V, as long as they are higher than the programmed output (0.3 V). The analog and digital grounds should be tied together outside of the chip to reduce noise coupling.

11 Layout

11.1 Layout Guidelines

PC board layout is an important part of DC-DC converter design. Poor board layout can disrupt the performance of a DC-DC converter and surrounding circuitry by contributing to EMI, ground bounce, and resistive voltage loss in the traces. These can send erroneous signals to the DC-DC converter device, resulting in poor regulation or instability. Poor layout can also result in re-flow problems leading to poor solder joints, which can result in erratic or degraded performance.

Good layout for the LM26480 bucks can be implemented by following a few simple design rules, as shown in [Figure 34](#).

1. Place the buck inductor and filter capacitors close together and make the trace short. The traces between these components carry relatively high switching currents and act as antennas. Following this rule reduces radiated noise. Place the capacitors and inductor close to the buck.
2. Arrange the components so that the switching current loops curl in the same direction. During the first half of each cycle, current flows from the input filter capacitor, through the buck and inductor to the output filter capacitor and back through ground, forming a current loop. In the second half of each cycle, current is pulled up from ground, through the buck by the inductor, to the output filter capacitor and then back through ground, forming a second current loop. Routing these loops so the current curls in the same direction prevents magnetic field reversal between the two half-cycles and reduces radiated noise.
3. Connect the ground pins of the buck, and filter capacitors together using generous component-side copper fill as a pseudo-ground plane. Then connect this to the ground-plane (if one is used) with several vias. This reduces ground-plane noise by preventing the switching currents from circulating through the ground plane. It also reduces ground bounce at the buck by giving it a low-impedance ground connection.
4. Use wide traces between the power components and for power connections to the DC-DC converter circuit. This reduces voltage errors caused by resistive losses across the traces.
5. R_{OUT} noise sensitive traces, such as the voltage feedback path, away from noisy traces between the power components. The voltage feedback trace must remain close to the buck circuit and should be routed directly from FB to VOUT at the output capacitor and must be routed opposite to noise components. This reduces EMI radiated onto the DC-DC converter's own voltage feedback trace.

In mobile phones, for example, a common practice is to place the DC-DC converter on one corner of the board, arrange the CMOS digital circuitry around it (because this also generates noise), and then place sensitive preamplifiers and IF stages on the diagonally opposing corner. Often, the sensitive circuitry is shielded with a metal pan and power to it is post-regulated to reduce conducted noise, using low-dropout linear regulators.

For more information on board layout techniques, refer to [AN-1187 Leadless Leadframe Package \(LLP\)](#) on TI's website. This application note also discusses package handling, solder stencil, and the assembly process.

11.2 Layout Example

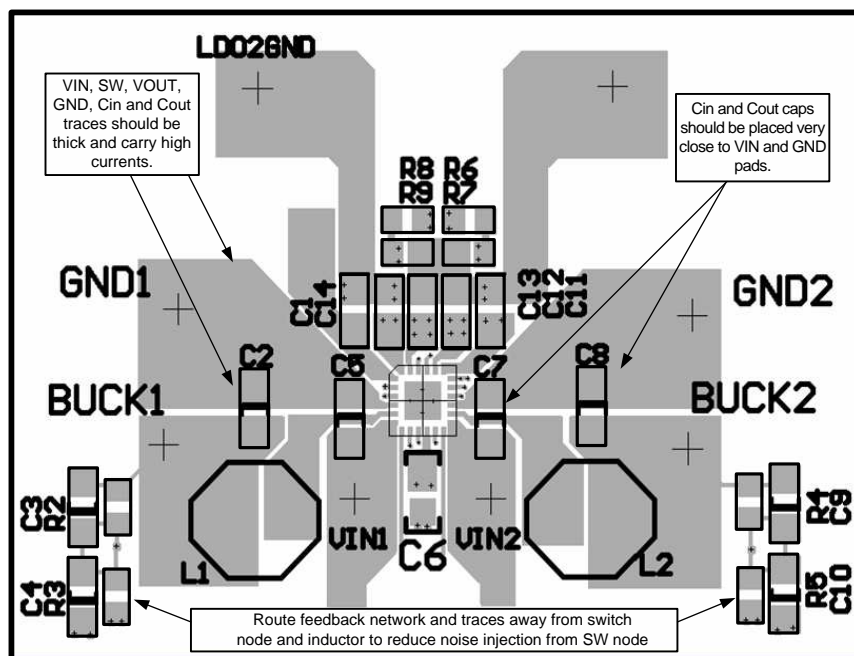


Figure 34. Board Layout Design Rules for the LM26480

12 Device and Documentation Support

12.1 Device Support

12.1.1 Third-Party Products Disclaimer

TI'S PUBLICATION OF INFORMATION REGARDING THIRD-PARTY PRODUCTS OR SERVICES DOES NOT CONSTITUTE AN ENDORSEMENT REGARDING THE SUITABILITY OF SUCH PRODUCTS OR SERVICES OR A WARRANTY, REPRESENTATION OR ENDORSEMENT OF SUCH PRODUCTS OR SERVICES, EITHER ALONE OR IN COMBINATION WITH ANY TI PRODUCT OR SERVICE.

12.2 Documentation Support

12.2.1 Related Documentation

For related documentation, see the following:

- [AN-1187 Leadless Leadframe Package \(LLP\)](#)
- [Enhancing Bit-Flip Recovery and PMU Design for Defense/Industrial Applications](#)
- [Power Supply Design Considerations for Modern FPGAs](#)
- [AN-1800 Evaluation Kit for LM26480 - Dual DC/DC Buck Regulators with Dual Low-Noise Linear Regulators](#)

12.3 Receiving Notification of Documentation Updates

To receive notification of documentation updates, navigate to the device product folder on ti.com. In the upper right corner, click on *Alert me* to register and receive a weekly digest of any product information that has changed. For change details, review the revision history included in any revised document.

12.4 Community Resources

The following links connect to TI community resources. Linked contents are provided "AS IS" by the respective contributors. They do not constitute TI specifications and do not necessarily reflect TI's views; see TI's [Terms of Use](#).

TI E2E™ Online Community *TI's Engineer-to-Engineer (E2E) Community*. Created to foster collaboration among engineers. At e2e.ti.com, you can ask questions, share knowledge, explore ideas and help solve problems with fellow engineers.

Design Support *TI's Design Support* Quickly find helpful E2E forums along with design support tools and contact information for technical support.

12.5 Trademarks

E2E is a trademark of Texas Instruments.

All other trademarks are the property of their respective owners.

12.6 Electrostatic Discharge Caution



This integrated circuit can be damaged by ESD. Texas Instruments recommends that all integrated circuits be handled with appropriate precautions. Failure to observe proper handling and installation procedures can cause damage.

ESD damage can range from subtle performance degradation to complete device failure. Precision integrated circuits may be more susceptible to damage because very small parametric changes could cause the device not to meet its published specifications.

12.7 Glossary

SLYZ022 — *TI Glossary*.

This glossary lists and explains terms, acronyms, and definitions.

13 Mechanical, Packaging, and Orderable Information

The following pages include mechanical, packaging, and orderable information. This information is the most current data available for the designated devices. This data is subject to change without notice and revision of this document. For browser-based versions of this data sheet, refer to the left-hand navigation.

PACKAGING INFORMATION

| Orderable Device | Status (1) | Package Type | Package Drawing | Pins | Package Qty | Eco Plan (2) | Lead finish/ Ball material (6) | MSL Peak Temp (3) | Op Temp (°C) | Device Marking (4/5) | Samples |
|--------------------|---------------|--------------|-----------------|------|-------------|-----------------|--------------------------------------|----------------------|--------------|-------------------------|-------------------------|
| LM26480SQ-AA/NOPB | ACTIVE | WQFN | RTW | 24 | 1000 | RoHS & Green | NIPDAU SN | Level-1-260C-UNLIM | -40 to 85 | 26480AA | Samples |
| LM26480SQX-AA/NOPB | ACTIVE | WQFN | RTW | 24 | 4500 | RoHS & Green | NIPDAU SN | Level-1-260C-UNLIM | -40 to 85 | 26480AA | Samples |

(1) The marketing status values are defined as follows:

ACTIVE: Product device recommended for new designs.

LIFEBUY: TI has announced that the device will be discontinued, and a lifetime-buy period is in effect.

NRND: Not recommended for new designs. Device is in production to support existing customers, but TI does not recommend using this part in a new design.

PREVIEW: Device has been announced but is not in production. Samples may or may not be available.

OBSELETE: TI has discontinued the production of the device.

(2) **RoHS:** TI defines "RoHS" to mean semiconductor products that are compliant with the current EU RoHS requirements for all 10 RoHS substances, including the requirement that RoHS substance do not exceed 0.1% by weight in homogeneous materials. Where designed to be soldered at high temperatures, "RoHS" products are suitable for use in specified lead-free processes. TI may reference these types of products as "Pb-Free".

RoHS Exempt: TI defines "RoHS Exempt" to mean products that contain lead but are compliant with EU RoHS pursuant to a specific EU RoHS exemption.

Green: TI defines "Green" to mean the content of Chlorine (Cl) and Bromine (Br) based flame retardants meet JS709B low halogen requirements of <=1000ppm threshold. Antimony trioxide based flame retardants must also meet the <=1000ppm threshold requirement.

(3) MSL, Peak Temp. - The Moisture Sensitivity Level rating according to the JEDEC industry standard classifications, and peak solder temperature.

(4) There may be additional marking, which relates to the logo, the lot trace code information, or the environmental category on the device.

(5) Multiple Device Markings will be inside parentheses. Only one Device Marking contained in parentheses and separated by a "~" will appear on a device. If a line is indented then it is a continuation of the previous line and the two combined represent the entire Device Marking for that device.

(6) Lead finish/Ball material - Orderable Devices may have multiple material finish options. Finish options are separated by a vertical ruled line. Lead finish/Ball material values may wrap to two lines if the finish value exceeds the maximum column width.

Important Information and Disclaimer:The information provided on this page represents TI's knowledge and belief as of the date that it is provided. TI bases its knowledge and belief on information provided by third parties, and makes no representation or warranty as to the accuracy of such information. Efforts are underway to better integrate information from third parties. TI has taken and continues to take reasonable steps to provide representative and accurate information but may not have conducted destructive testing or chemical analysis on incoming materials and chemicals. TI and TI suppliers consider certain information to be proprietary, and thus CAS numbers and other limited information may not be available for release.

In no event shall TI's liability arising out of such information exceed the total purchase price of the TI part(s) at issue in this document sold by TI to Customer on an annual basis.

OTHER QUALIFIED VERSIONS OF LM26480 :

- Automotive : [LM26480-Q1](#)

NOTE: Qualified Version Definitions:

- Automotive - Q100 devices qualified for high-reliability automotive applications targeting zero defects

TAPE AND REEL INFORMATION

QUADRANT ASSIGNMENTS FOR PIN 1 ORIENTATION IN TAPE


*All dimensions are nominal

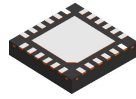
| Device | Package Type | Package Drawing | Pins | SPQ | Reel Diameter (mm) | Reel Width W1 (mm) | A0 (mm) | B0 (mm) | K0 (mm) | P1 (mm) | W (mm) | Pin1 Quadrant |
|--------------------|--------------|-----------------|------|------|--------------------|--------------------|---------|---------|---------|---------|--------|---------------|
| LM26480SQ-AA/NOPB | WQFN | RTW | 24 | 1000 | 178.0 | 12.4 | 4.3 | 4.3 | 1.3 | 8.0 | 12.0 | Q1 |
| LM26480SQX-AA/NOPB | WQFN | RTW | 24 | 4500 | 330.0 | 12.4 | 4.3 | 4.3 | 1.3 | 8.0 | 12.0 | Q1 |

TAPE AND REEL BOX DIMENSIONS


*All dimensions are nominal

| Device | Package Type | Package Drawing | Pins | SPQ | Length (mm) | Width (mm) | Height (mm) |
|--------------------|--------------|-----------------|------|------|-------------|------------|-------------|
| LM26480SQ-AA/NOPB | WQFN | RTW | 24 | 1000 | 210.0 | 185.0 | 35.0 |
| LM26480SQX-AA/NOPB | WQFN | RTW | 24 | 4500 | 367.0 | 367.0 | 35.0 |

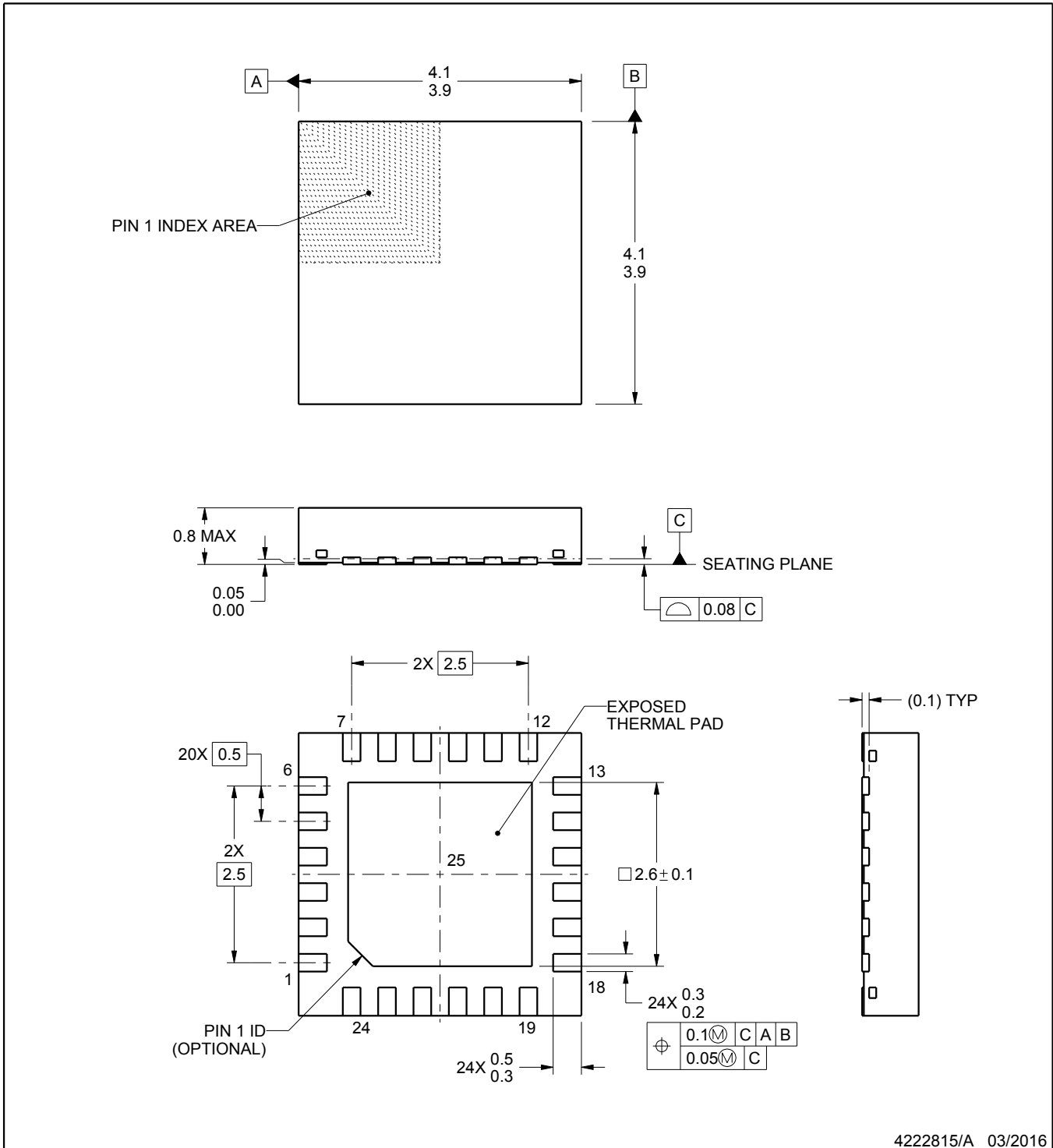
RTW0024A



PACKAGE OUTLINE

WQFN - 0.8 mm max height

PLASTIC QUAD FLATPACK - NO LEAD



4222815/A 03/2016

NOTES:

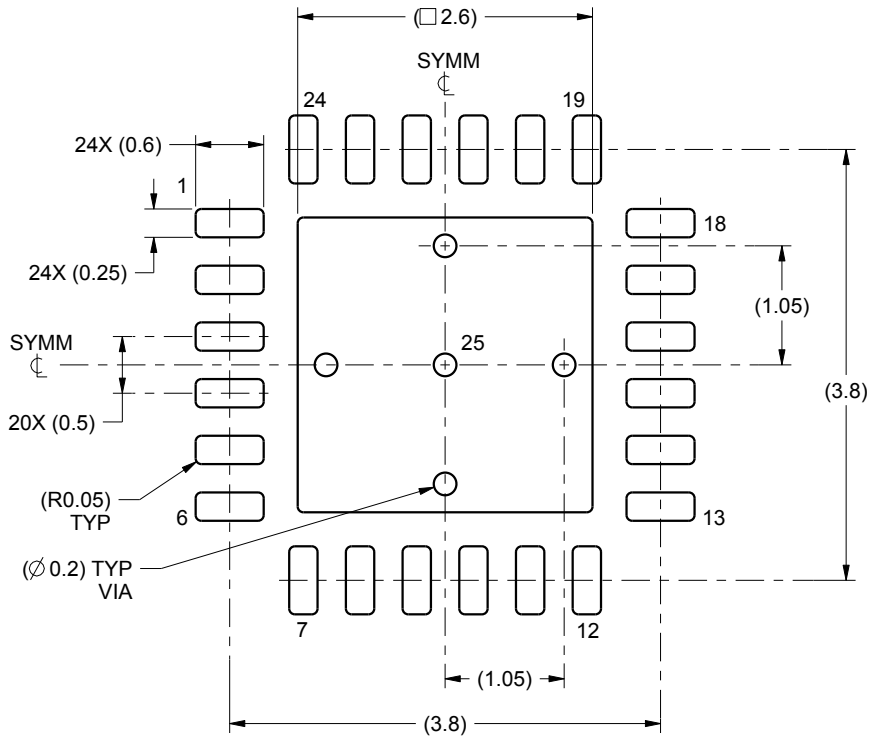
1. All linear dimensions are in millimeters. Any dimensions in parenthesis are for reference only. Dimensioning and tolerancing per ASME Y14.5M.
2. This drawing is subject to change without notice.
3. The package thermal pad must be soldered to the printed circuit board for thermal and mechanical performance.

EXAMPLE BOARD LAYOUT

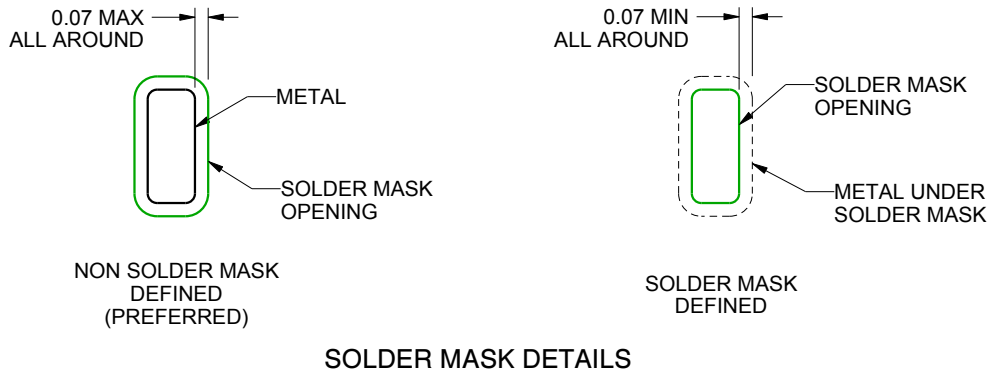
RTW0024A

WQFN - 0.8 mm max height

PLASTIC QUAD FLATPACK - NO LEAD



LAND PATTERN EXAMPLE
SCALE:15X



SOLDER MASK DETAILS

4222815/A 03/2016

NOTES: (continued)

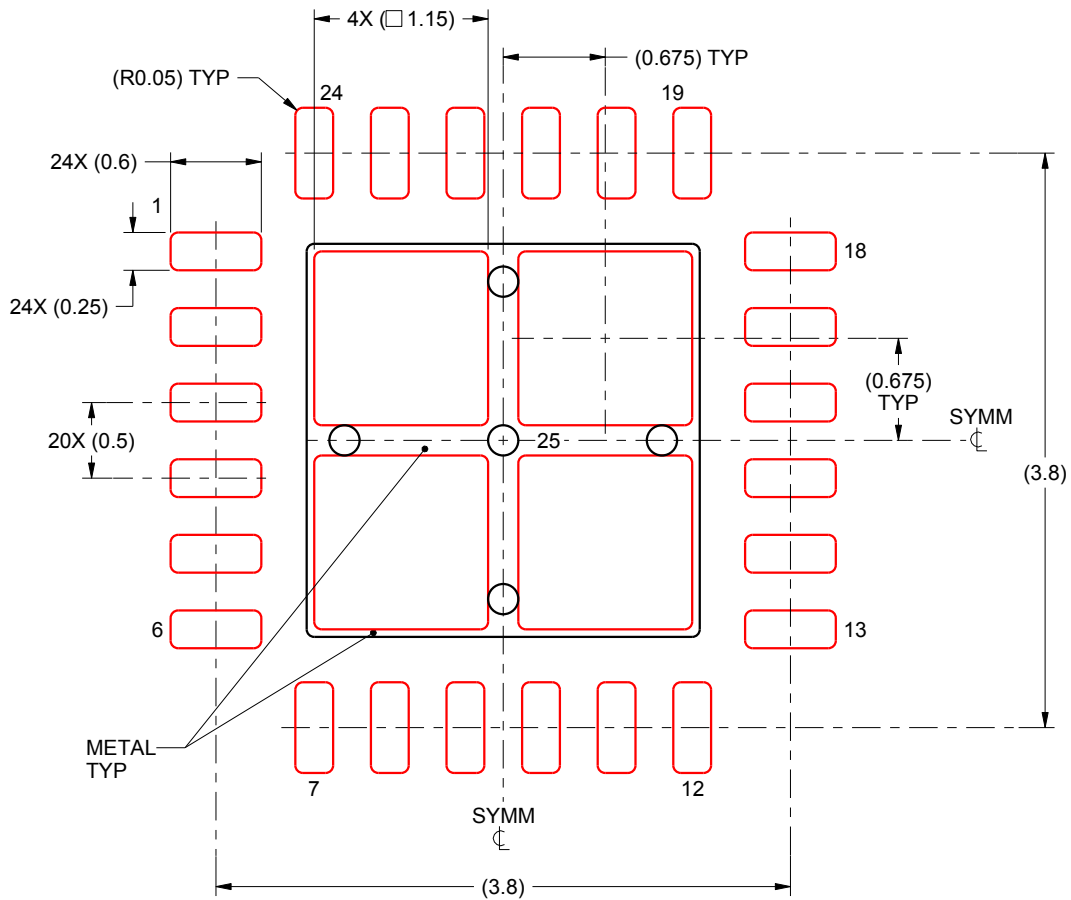
4. This package is designed to be soldered to a thermal pad on the board. For more information, see Texas Instruments literature number SLUA271 (www.ti.com/lit/slua271).

EXAMPLE STENCIL DESIGN

RTW0024A

WQFN - 0.8 mm max height

PLASTIC QUAD FLATPACK - NO LEAD



SOLDER PASTE EXAMPLE
BASED ON 0.125 mm THICK STENCIL

EXPOSED PAD 25:
78% PRINTED SOLDER COVERAGE BY AREA UNDER PACKAGE
SCALE:20X

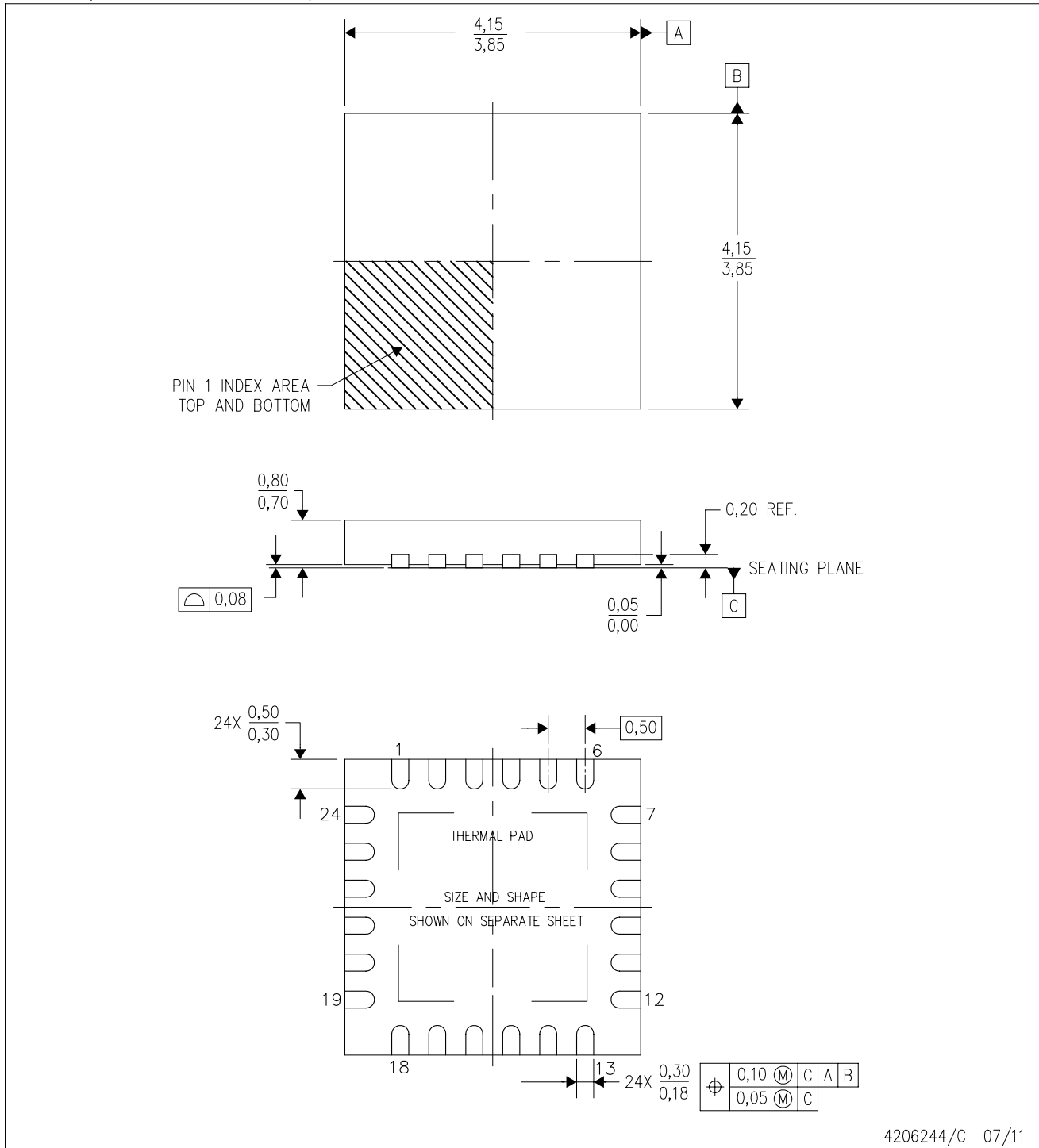
4222815/A 03/2016

NOTES: (continued)

5. Laser cutting apertures with trapezoidal walls and rounded corners may offer better paste release. IPC-7525 may have alternate design recommendations.

RTW (S-PWQFN-N24)

PLASTIC QUAD FLATPACK NO-LEAD



4206244/C 07/11

- NOTES:
- All linear dimensions are in millimeters. Dimensioning and tolerancing per ASME Y14.5M-1994.
 - This drawing is subject to change without notice.
 - Quad Flatpack, No-Leads (QFN) package configuration.
 - The package thermal pad must be soldered to the board for thermal and mechanical performance.
 - See the additional figure in the Product Data Sheet for details regarding the exposed thermal pad features and dimensions.
 - Falls within JEDEC MO-220.

THERMAL PAD MECHANICAL DATA

RTW (S-PWQFN-N24)

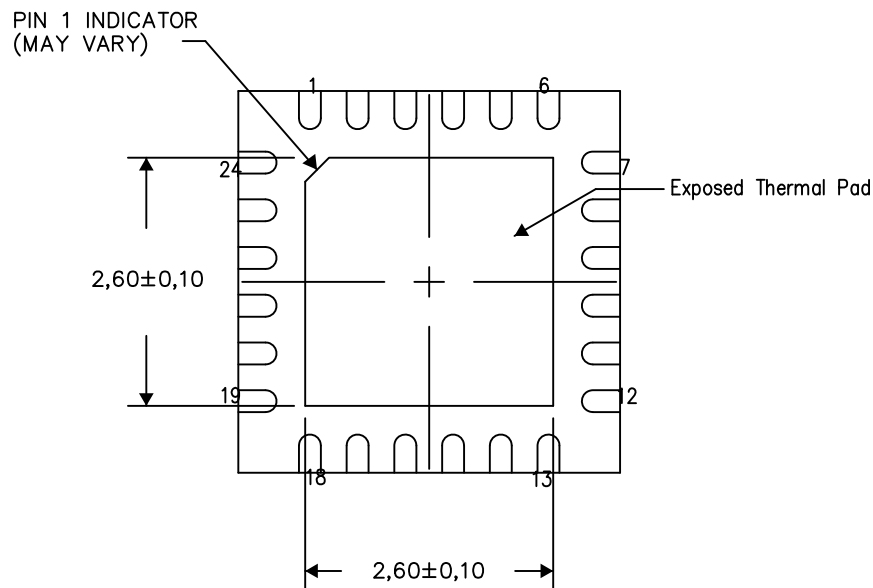
PLASTIC QUAD FLATPACK NO-LEAD

THERMAL INFORMATION

This package incorporates an exposed thermal pad that is designed to be attached directly to an external heatsink. The thermal pad must be soldered directly to the printed circuit board (PCB). After soldering, the PCB can be used as a heatsink. In addition, through the use of thermal vias, the thermal pad can be attached directly to the appropriate copper plane shown in the electrical schematic for the device, or alternatively, can be attached to a special heatsink structure designed into the PCB. This design optimizes the heat transfer from the integrated circuit (IC).

For information on the Quad Flatpack No-Lead (QFN) package and its advantages, refer to Application Report, QFN/SON PCB Attachment, Texas Instruments Literature No. SLUA271. This document is available at www.ti.com.

The exposed thermal pad dimensions for this package are shown in the following illustration.



Bottom View

Exposed Thermal Pad Dimensions

4206249-8/P 05/15

NOTES: A. All linear dimensions are in millimeters

IMPORTANT NOTICE AND DISCLAIMER

TI PROVIDES TECHNICAL AND RELIABILITY DATA (INCLUDING DATA SHEETS), DESIGN RESOURCES (INCLUDING REFERENCE DESIGNS), APPLICATION OR OTHER DESIGN ADVICE, WEB TOOLS, SAFETY INFORMATION, AND OTHER RESOURCES "AS IS" AND WITH ALL FAULTS, AND DISCLAIMS ALL WARRANTIES, EXPRESS AND IMPLIED, INCLUDING WITHOUT LIMITATION ANY IMPLIED WARRANTIES OF MERCHANTABILITY, FITNESS FOR A PARTICULAR PURPOSE OR NON-INFRINGEMENT OF THIRD PARTY INTELLECTUAL PROPERTY RIGHTS.

These resources are intended for skilled developers designing with TI products. You are solely responsible for (1) selecting the appropriate TI products for your application, (2) designing, validating and testing your application, and (3) ensuring your application meets applicable standards, and any other safety, security, regulatory or other requirements.

These resources are subject to change without notice. TI grants you permission to use these resources only for development of an application that uses the TI products described in the resource. Other reproduction and display of these resources is prohibited. No license is granted to any other TI intellectual property right or to any third party intellectual property right. TI disclaims responsibility for, and you will fully indemnify TI and its representatives against, any claims, damages, costs, losses, and liabilities arising out of your use of these resources.

TI's products are provided subject to [TI's Terms of Sale](#) or other applicable terms available either on [ti.com](https://www.ti.com) or provided in conjunction with such TI products. TI's provision of these resources does not expand or otherwise alter TI's applicable warranties or warranty disclaimers for TI products.

TI objects to and rejects any additional or different terms you may have proposed.

Mailing Address: Texas Instruments, Post Office Box 655303, Dallas, Texas 75265
Copyright © 2023, Texas Instruments Incorporated