

DAC5652 Dual, 10-BIT 275 MSPS Digital-to-Analog Converter

1 Features

- 10-Bit Dual Transmit Digital-to-Analog Converter (DAC)
- 275 MSPS Update Rate
- Single Supply: 3.0 V to 3.6 V
- High Spurious-Free Dynamic Range (SFDR): 80 dBc at 5 MHz
- High Third-Order Two-Tone Intermodulation (IMD3): 78 dBc at 15.1 MHz and 16.1 MHz
- Independent or Single Resistor Gain Control
- Dual or Interleaved Data
- On-Chip 1.2-V Reference
- Low Power: 290 mW
- Power-Down Mode: 9 mW
- Package: 48-Pin Thin-Quad Flat Pack (TQFP)

2 Applications

- Cellular Base Transceiver Station Transmit Channel
 - CDMA: W-CDMA, CDMA2000, IS-95
 - TDMA: GSM, IS-136, EDGE/UWC-136
- Medical/Test Instrumentation
- Arbitrary Waveform Generators (ARB)
- Direct Digital Synthesis (DDS)
- Cable Modem Termination System (CMTS)

3 Description

The DAC5652 is a monolithic, dual-channel, 10-bit, high-speed DAC with on-chip voltage reference.

Operating with update rates of up to 275 MSPS, the DAC5652 offers exceptional dynamic performance, tight-gain, and offset matching characteristics that make it suitable in either I/Q baseband or direct IF communication applications.

Each DAC has a high-impedance, differential-current output, suitable for single-ended or differential analog-output configurations. External resistors allow scaling of the full-scale output current for each DAC separately or together, typically between 2 mA and 20 mA. An accurate on-chip voltage reference is temperature-compensated and delivers a stable 1.2-V reference voltage. Optionally, an external reference may be used.

The DAC5652 has two, 10-bit, parallel input ports with separate clocks and data latches. For flexibility, the DAC5652 also supports multiplexed data for each DAC on one port when operating in the interleaved mode.

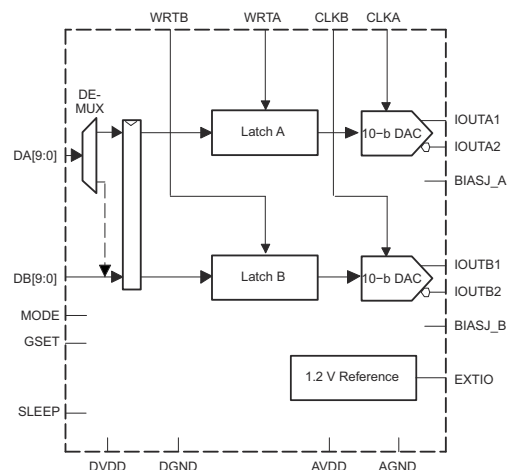
The DAC5652 has been specifically designed for a differential transformer-coupled output with a 50-Ω doubly-terminated load. For a 20-mA full-scale output current, both a 4:1 impedance ratio (resulting in an output power of 4 dBm) and 1:1 impedance ratio transformer (–2 dBm output power) are supported.

The DAC5652 is available in a 48-pin TQFP package. Pin compatibility between family members provides 10-bit (DAC5652), 12-bit (DAC5662), and 14-bit (DAC5672) resolution. Furthermore, the DAC5652 is pin compatible to the DAC2900 and AD9763 dual DACs. The device is characterized for operation over the industrial temperature range of –40°C to 85°C.

Device Information

| PART NUMBER | PACKAGE ⁽¹⁾ | BODY SIZE (NOM) |
|-------------|------------------------|-------------------|
| DAC5652 | TQFP | 7.00 mm x 7.00 mm |

- (1) For all available packages, see the orderable addendum at the end of the data sheet.



Functional Block Diagram



Table of Contents

| | | | |
|--|----|--|----|
| 1 Features | 1 | 8.2 Functional Block Diagram..... | 15 |
| 2 Applications | 1 | 8.3 Feature Description..... | 16 |
| 3 Description | 1 | 8.4 Device Functional Modes..... | 20 |
| 4 Revision History | 2 | 9 Application Information Disclaimer | 21 |
| 5 Pin Configuration and Functions | 3 | 9.1 Application Information..... | 21 |
| 6 Specifications | 4 | 9.2 Typical Application..... | 21 |
| 6.1 Absolute Maximum Ratings..... | 4 | 10 Power Supply Recommendations | 23 |
| 6.2 ESD Ratings..... | 4 | 11 Layout | 24 |
| 6.3 Recommended Operating Conditions..... | 4 | 11.1 Layout Guidelines..... | 24 |
| 6.4 Thermal Resistance Characteristics..... | 4 | 11.2 Layout Example..... | 24 |
| 6.5 Electrical Characteristics..... | 5 | 12 Device and Documentation Support | 28 |
| 6.6 Electrical Characteristics..... | 6 | 12.1 Documentation Support..... | 28 |
| 6.7 Electrical Characteristics, AC..... | 7 | 12.2 Receiving Notification of Documentation Updates..... | 28 |
| 6.8 Electrical Characteristics, DC..... | 8 | 12.3 Support Resources..... | 28 |
| 6.9 Switching Characteristics..... | 8 | 12.4 Trademarks..... | 28 |
| 6.10 Typical Characteristics..... | 9 | 12.5 Electrostatic Discharge Caution..... | 28 |
| 7 Parameter Measurement Information | 12 | 12.6 Glossary..... | 28 |
| 7.1 Digital Inputs and Timing..... | 12 | 13 Mechanical, Packaging, and Orderable Information | 29 |
| 8 Detailed Description | 15 | | |
| 8.1 Overview..... | 15 | | |

4 Revision History

NOTE: Page numbers for previous revisions may differ from page numbers in the current version.

| Changes from Revision D (October 2020) to Revision E (January 2021) | Page |
|--|-------------|
| • Changed the Functional Block Diagram to improve image quality..... | 1 |
| Changes from Revision C (December 2010) to Revision D (October 2020) | Page |
| • Added Device Information table, ESD Ratings table, Thermal Resistance Characteristics table, Feature Description section, Device Functional Modes, Application and Implementation section, Power Supply Recommendations section, Layout section, Device and Documentation Support section, and Mechanical, Packaging, and Orderable Information section..... | 1 |
| • Changed Figure 7-1 and Figure 7-2 by removing extra wire connecting the gates of the CMOS inverter to the output node..... | 12 |
| Changes from Revision B (March 2005) to Revision C (December 2010) | Page |
| • Changed the non-printing μ symbols in the Digital Input section of the Electrical Characteristics table (Units column) to the correct μ symbols recognized by the PDF processor..... | 8 |

5 Pin Configuration and Functions

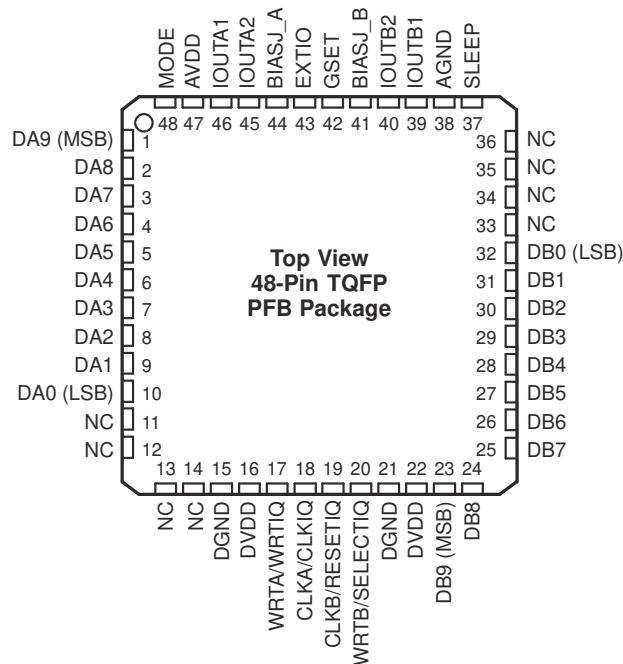


Table 5-1. Pin Functions

| PIN | | I/O | DESCRIPTION |
|---------------|--------------|-----|--|
| NAME | NO. | | |
| AGND | 38 | I | Analog ground |
| AVDD | 47 | I | Analog supply voltage |
| BIASJ_A | 44 | O | Full-scale output current bias for DACA |
| BIASJ_B | 41 | O | Full-scale output current bias for DACB |
| CLKA/CLKIQ | 18 | I | Clock input for DACA, CLKIQ in interleaved mode |
| CLKB/RESETIQ | 19 | I | Clock input for DACB, RESETIQ in interleaved mode |
| DA[9:0] | 1-10 | I | Data port A. DA9 is MSB and DA0 is LSB. Internal pull-down. |
| DB[9:0] | 23-32 | I | Data port B. DB9 is MSB and DB0 is LSB. Internal pull-down. |
| DGND | 15, 21 | I | Digital ground |
| DVDD | 16, 22 | I | Digital supply voltage |
| EXTIO | 43 | I/O | Internal reference output (bypass with 0.1 μ F to AGND) or external reference input |
| GSET | 42 | I | Gain-setting mode: H – 1 resistor, L – 2 resistors. Internal pullup. |
| IOUTA1 | 46 | O | DACA current output. Full-scale with all bits of DA high. |
| IOUTA2 | 45 | O | DACA complementary current output. Full-scale with all bits of DA low. |
| IOUTB1 | 39 | O | DACB current output. Full-scale with all bits of DB high. |
| IOUTB2 | 40 | O | DACB complementary current output. Full-scale with all bits of DB low. |
| MODE | 48 | I | Mode Select: H – Dual Bus, L – Interleaved. Internal pullup. |
| NC | 11-14, 33-36 | - | Factory use only. Pins must be connected to DGND or left unconnected. |
| SLEEP | 37 | I | Sleep function control input: H – DAC in power-down mode, L – DAC in operating mode. Internal pull-down. |
| WRTA/WRTIQ | 17 | I | Input write signal for PORT A (WRTIQ in interleaving mode) |
| WRTB/SELECTIQ | 20 | I | Input write signal for PORT B (SELECTIQ in interleaving mode) |

6 Specifications

6.1 Absolute Maximum Ratings

over T_A (unless otherwise noted)⁽¹⁾

| | | Min | Max | UNIT |
|---------------------------------------|--|------|------------|------|
| Supply voltage range | AVDD ⁽²⁾ | -0.5 | 4 | V |
| | DVDD ⁽³⁾ | -0.5 | 4 | V |
| Voltage between AGND and DGND | | -0.5 | 0.5 | V |
| Voltage between AVDD and DVDD | | -0.5 | 0.5 | V |
| Supply voltage range | DA[9:0] and DB[9:0] ⁽³⁾ | -0.5 | DVDD + 0.5 | V |
| | MODE, SLEEP, CLKA, CLKB, WRTA, WRTB ⁽³⁾ | -0.5 | DVDD + 0.5 | V |
| | IOUTA1, IOUTA2, IOUTB1, IOUTB2 ⁽²⁾ | -1 | AVDD + 0.5 | V |
| | EXTIO, BIASJ_A, BIASJ_B, GSET ⁽²⁾ | -0.5 | AVDD + 0.5 | V |
| Peak input current (any input) | | | +20 | mA |
| Peak total input current (all inputs) | | | -30 | mA |
| Operating free-air temperature range | | -40 | 85 | °C |
| Storage temperature range | | -65 | 150 | °C |

(1) Stresses beyond those listed under “absolute maximum ratings” may cause permanent damage to the device. These are stress ratings only and functional operation of these or any other conditions beyond those indicated under “recommended operating conditions” is not implied. Exposure to absolute-maximum-rated conditions for extended periods may affect device reliability.

(2) Measured with respect to AGND.

(3) Measured with respect to DGND.

6.2 ESD Ratings

| | | VALUE | UNIT |
|-------------------------------------|--|-------|------|
| $V_{(ESD)}$ Electrostatic discharge | Human-body model (HBM), per ANSI/ESDA/JEDEC JS-001 ¹ | ±2000 | V |
| | Charged-device model (CDM), per JEDEC specification JESD22-C101 ² | ±1000 | |

over operating free-air temperature range (unless otherwise noted)

6.3 Recommended Operating Conditions

| | | MIN | NOM | MAX | UNIT |
|-------|--|-----|-----|------|------|
| AVDD | Analog supply voltage | 3 | 3.3 | 3.6 | V |
| DVDD | Digital supply voltage | 3 | 3.3 | 3.6 | V |
| | Output voltage compliance range ⁽¹⁾ | -1 | | 1.25 | V |
| | Clock input frequency | | | 275 | MHz |
| T_A | Operating free-air temperature | -40 | | 85 | °C |

1. The lower limit of the output compliance is determined by the CMOS process. Exceeding this limit may result in transistor breakdown, resulting in reduced reliability of the DAC5652 device. The upper limit of the output compliance is determined by the load resistors and full-scale output current. Exceeding the upper limit adversely affects distortion performance and integral nonlinearity.

6.4 Thermal Resistance Characteristics

| THERMAL METRIC ⁽¹⁾ | | DAC5652 | UNIT |
|-------------------------------|---|------------|------|
| | | TQFP (PFB) | |
| | | 48-Pins | |
| $R_{\theta JA}$ | Junction-to-ambient thermal resistance | 65.3 | °C/W |
| $R_{\theta JC(top)}$ | Junction-to-case (top) thermal resistance | 16.4 | °C/W |

6.4 Thermal Resistance Characteristics (continued)

| THERMAL METRIC ⁽¹⁾ | | DAC5652 | |
|-------------------------------|--|------------|------|
| | | TQFP (PFB) | |
| | | 48-Pins | |
| | | | UNIT |
| R _{θJB} | Junction-to-board thermal resistance | 28.6 | °C/W |
| ψ _{JT} | Junction-to-top characterization parameter | 0.4 | °C/W |
| ψ _{JB} | Junction-to-board characterization parameter | 28.4 | °C/W |
| R _{θJC(bot)} | Junction-to-case (bottom) thermal resistance | n/a | °C/W |

(1) For more information about traditional and new thermal metrics, see the [Semiconductor and IC package thermal metrics](#) application report.

6.5 Electrical Characteristics

over T_A, AVDD = DVDD = 3.3 V, I_{OUTFS} = 20 mA, independent gain set mode (unless otherwise noted)

| PARAMETER | | TEST CONDITIONS | MIN | TYP | MAX | UNIT |
|--|---------------------------|--|------|-------|------|---------------|
| DC Specifications | | | | | | |
| Resolution | | | 10 | | | Bits |
| DC Accuracy⁽¹⁾ | | | | | | |
| INL | Integral nonlinearity | 1 LSB = I _{OUTFS} /2 ¹⁰ , T _{MIN} to T _{MAX} | -1 | ±0.25 | 1 | LSB |
| DNL | Differential nonlinearity | | -0.5 | ±0.16 | 0.5 | LSB |
| Analog Output | | | | | | |
| Offset error | | Midscale value (internal reference) | | ±0.05 | | %FSR |
| Offset mismatch | | Midscale value (internal reference) | | ±0.03 | | %FSR |
| Gain error | | With internal reference | | ±0.75 | | %FSR |
| Minimum full-scale output current ⁽²⁾ | | | | 2 | | mA |
| Maximum full-scale output current ⁽²⁾ | | | | 20 | | mA |
| Gain mismatch | | With internal reference | -2 | 0.2 | 2 | %FSR |
| Output voltage compliance range ⁽³⁾ | | | -1 | | 1.25 | V |
| R _O | Output resistance | | | 300 | | kΩ |
| C _O | Output capacitance | | | 5 | | pF |
| Reference Output | | | | | | |
| Reference voltage | | | 1.14 | 1.2 | 1.26 | V |
| Reference output current ⁽⁴⁾ | | | | 100 | | nA |
| Reference Input | | | | | | |
| V _{EXTIO} | Input voltage | | 0.1 | | 1.25 | V |
| R _I | Input resistance | | | 1 | | MΩ |
| Small signal bandwidth | | | | 300 | | kHz |
| C _I | Input capacitance | | | 100 | | pF |
| Temperature Coefficients | | | | | | |
| Offset drift | | | | 2 | | ppm of FSR/°C |
| Gain drift | | With external reference | | ±20 | | ppm of FSR/°C |
| | | With internal reference | | ±40 | | ppm of FSR/°C |
| Reference voltage drift | | | | ±20 | | ppm/°C |

(1) Measured differentially through 50 Ω to AGND.

(2) Nominal full-scale current, I_{OUTFS}, equals 32x the I_{BIAS} current.

DAC5652

SLAS452E – OCTOBER 2020 – REVISED JANUARY 2021

- (3) The lower limit of the output compliance is determined by the CMOS process. Exceeding this limit may result in transistor breakdown, resulting in reduced reliability of the DAC5652 device. The upper limit of the output compliance is determined by the load resistors and full-scale output current. Exceeding the upper limit adversely affects distortion performance and integral nonlinearity.
- (4) Use an external buffer amplifier with high-impedance input to drive any external load.

6.6 Electrical Characteristics

over T_A , $AVDD = DVDD = 3.3\text{ V}$, $I_{OUTFS} = 20\text{ mA}$, $f_{DATA} = 200\text{ MSPS}$, $f_{OUT} = 1\text{ MHz}$, independent gain set mode (unless otherwise noted)

| PARAMETER | | TEST CONDITIONS | MIN | TYP | MAX | UNIT |
|---------------------|--------------------------------------|--|------|-------|-----|--------|
| Power Supply | | | | | | |
| AVDD | Analog supply voltage | | 3 | 3.3 | 3.6 | V |
| DVDD | Digital supply voltage | | 3 | 3.3 | 3.6 | V |
| I _{AVDD} | Supply current, analog | Including output current through load resistor | | 75 | 90 | mA |
| | | Sleep mode with clock | | 2.5 | | |
| | | Sleep mode without clock | | 2.5 | | |
| I _{DVDD} | Supply current, digital | | | 12 | 20 | mA |
| | | Sleep mode with clock | | 11.3 | 18 | |
| | | Sleep mode without clock | | 0.6 | | |
| Power dissipation | | | | 290 | 360 | mW |
| | | Sleep mode with clock | | 45.5 | | |
| | | Sleep mode without clock | | 9.2 | | |
| | | $f_{DATA} = 275\text{ MSPS}$, $f_{OUT} = 20\text{ MHz}$ | | 310 | | |
| APSRR | Analog power supply rejection ratio | | -0.2 | -0.01 | 0.2 | %FSR/V |
| DPSRR | Digital power supply rejection ratio | | -0.2 | 0 | 0.2 | %FSR/V |
| T _A | Operating free-air temperature | | -40 | | 85 | °C |

6.7 Electrical Characteristics, AC

AC specifications over T_A , $AVDD = DVDD = 3.3\text{ V}$, $I_{OUTFS} = 20\text{ mA}$, independent gain set mode, differential 1:1 impedance ratio transformer coupled output, 50- Ω doubly terminated load (unless otherwise noted)

| PARAMETER | | TEST CONDITIONS | MIN | TYP | MAX | UNIT |
|----------------------|---|---|-----|-----|-----|------------------------|
| Analog Output | | | | | | |
| f_{clk} | Maximum output update rate ⁽¹⁾ | | 275 | | | MSPS |
| t_s | Output settling time to 0.1% (DAC) | Mid-scale transition | | 20 | | ns |
| t_r | Output rise time 10% to 90% (OUT) | | | 1.4 | | ns |
| t_f | Output fall time 90% to 10% (OUT) | | | 1.5 | | ns |
| | Output noise | $I_{OUTFS} = 20\text{ mA}$ | | 55 | | pA/ $\sqrt{\text{Hz}}$ |
| | | $I_{OUTFS} = 2\text{ mA}$ | | 30 | | |
| AC Linearity | | | | | | |
| SFDR | Spurious-free dynamic range | 1st Nyquist zone, $T_A = 25^\circ\text{C}$, $f_{DATA} = 50\text{ MSPS}$, $f_{OUT} = 1\text{ MHz}$, $I_{OUTFS} = 0\text{ dB}$ | | 79 | | dBc |
| | | 1st Nyquist zone, $T_A = 25^\circ\text{C}$, $f_{DATA} = 50\text{ MSPS}$, $f_{OUT} = 1\text{ MHz}$, $I_{OUTFS} = -6\text{ dB}$ | | 78 | | |
| | | 1st Nyquist zone, $T_A = 25^\circ\text{C}$, $f_{DATA} = 50\text{ MSPS}$, $f_{OUT} = 1\text{ MHz}$, $I_{OUTFS} = -12\text{ dB}$ | | 73 | | |
| | | 1st Nyquist zone, $T_A = 25^\circ\text{C}$, $f_{DATA} = 100\text{ MSPS}$, $f_{OUT} = 5\text{ MHz}$, $I_{OUTFS} = 0\text{ dB}$ | | 80 | | |
| | | 1st Nyquist zone, $T_A = 25^\circ\text{C}$, $f_{DATA} = 100\text{ MSPS}$, $f_{OUT} = 20\text{ MHz}$, $I_{OUTFS} = 0\text{ dB}$ | | 76 | | |
| | | 1st Nyquist zone, T_{MIN} to T_{MAX} , $f_{DATA} = 200\text{ MSPS}$, $f_{OUT} = 20\text{ MHz}$, $I_{OUTFS} = 0\text{ dB}$ | 61 | 70 | | |
| | | 1st Nyquist zone, $T_A = 25^\circ\text{C}$, $f_{DATA} = 200\text{ MSPS}$, $f_{OUT} = 41\text{ MHz}$, $I_{OUTFS} = 0\text{ dB}$ | | 67 | | |
| | | 1st Nyquist zone, $T_A = 25^\circ\text{C}$, $f_{DATA} = 275\text{ MSPS}$, $f_{OUT} = 20\text{ MHz}$ | | 70 | | |
| SNR | Signal-to-noise ratio | 1st Nyquist zone, $T_A = 25^\circ\text{C}$, $f_{DATA} = 100\text{ MSPS}$, $f_{OUT} = 5\text{ MHz}$, $I_{OUTFS} = 0\text{ dB}$ | | 63 | | dB |
| | | 1st Nyquist zone, $T_A = 25^\circ\text{C}$, $f_{DATA} = 160\text{ MSPS}$, $f_{OUT} = 20\text{ MHz}$, $I_{OUTFS} = 0\text{ dB}$ | | 62 | | dB |
| IMD3 | Third-order two-tone intermodulation | Each tone at -6 dBFS , $T_A = 25^\circ\text{C}$, $f_{DATA} = 200\text{ MSPS}$, $f_{OUT} = 45.4\text{ MHz}$ and 46.4 MHz | | 61 | | dBc |
| | | Each tone at -6 dBFS , $T_A = 25^\circ\text{C}$, $f_{DATA} = 100\text{ MSPS}$, $f_{OUT} = 15.1\text{ MHz}$ and 16.1 MHz | | 78 | | |
| IMD | Four-tone intermodulation | Each tone at -12 dBFS , $T_A = 25^\circ\text{C}$ $f_{DATA} = 100\text{ MSPS}$, $f_{OUT} = 15.6, 15.8, 16.2,$ and 16.4 MHz | | 76 | | dBc |
| | | Each tone at -12 dBFS , $T_A = 25^\circ\text{C}$ $f_{DATA} = 165\text{ MSPS}$, $f_{OUT} = 19.0, 19.1, 19.3,$ and 19.4 MHz | | 55 | | |
| | | Each tone at -12 dBFS , $T_A = 25^\circ\text{C}$ $f_{DATA} = 165\text{ MSPS}$, $f_{OUT} = 68.8, 69.6, 71.2,$ and 72.0 MHz | | 70 | | |
| | Channel isolation | $T_A = 25^\circ\text{C}$, $f_{DATA} = 165\text{ MSPS}$ $f_{OUT}(\text{CH1}) = 20\text{ MHz}$, $f_{OUT}(\text{CH2}) = 21\text{ MHz}$ | | 90 | | dBc |

(1) Specified by design and bench characterization. Not production tested.

6.8 Electrical Characteristics, DC

Digital specifications over T_A , $AVDD = DVDD = 3.3\text{ V}$, $I_{OUTFS} = 20\text{ mA}$ (unless otherwise noted)

| PARAMETER | | TEST CONDITIONS | MIN | TYP | MAX | UNIT |
|----------------------|------------------------------------|-----------------|-----|-----|-----|------|
| Digital Input | | | | | | |
| V_{IH} | High-level input voltage | | 2 | | 3.3 | V |
| V_{IL} | Low-level input voltage | | 0 | | 0.8 | V |
| I_{IH} | High-level input current | | | ±50 | | μA |
| I_{IL} | Low-level input current | | | ±10 | | μA |
| $I_{IH(GSET)}$ | High-level input current, GSET pin | | | 7 | | μA |
| $I_{IL(GSET)}$ | Low-level input current, GSET pin | | | -80 | | μA |
| $I_{IH(MODE)}$ | High-level input current, MODE pin | | | -30 | | μA |
| $I_{IL(MODE)}$ | Low-level input current, MODE pin | | | -80 | | μA |
| C_i | Input capacitance | | | 5 | | pF |

6.9 Switching Characteristics

Digital specifications over T_A , $AVDD = DVDD = 3.3\text{ V}$, $I_{OUTFS} = 20\text{ mA}$ (unless otherwise noted)

| PARAMETER | | TEST CONDITIONS | MIN | TYP | MAX | UNIT |
|---|-----------------------------------|-----------------|-----|-----|-----|------|
| Timing - Dual Bus Mode | | | | | | |
| t_{su} | Input setup time | | 1 | | | ns |
| t_h | Input hold time | | 1 | | | ns |
| t_{LPH} | Input clock pulse high time | | | 1 | | ns |
| t_{LAT} | Clock latency (WRTA/B to outputs) | | 4 | | 4 | clk |
| t_{PD} | Propagation delay time | | | 1.5 | | ns |
| Timing - Single Bus Interleaved Mode | | | | | | |
| t_{su} | Input setup time | | | 0.5 | | ns |
| t_h | Input hold time | | | 0.5 | | ns |
| t_{LAT} | Clock latency (WRTA/B to outputs) | | 4 | | 4 | clk |
| t_{PD} | Propagation delay time | | | 1.5 | | ns |

6.10 Typical Characteristics

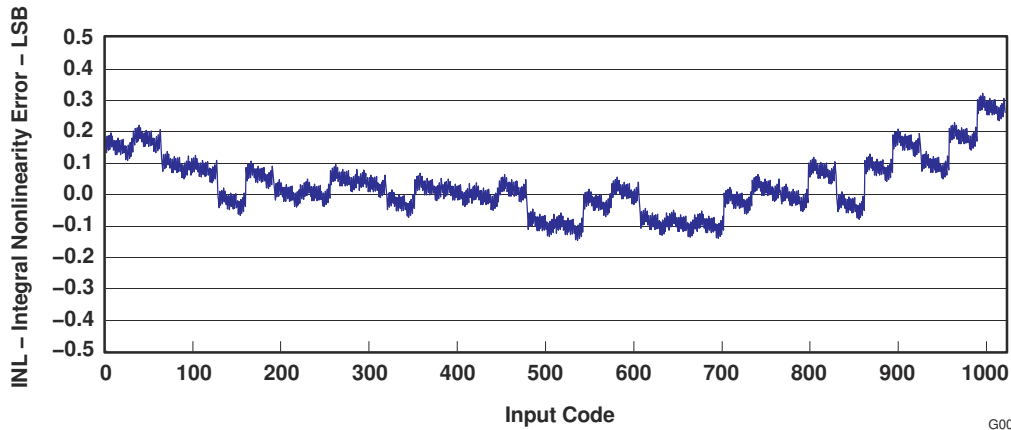


Figure 6-1. Integral Nonlinearity vs Input Code

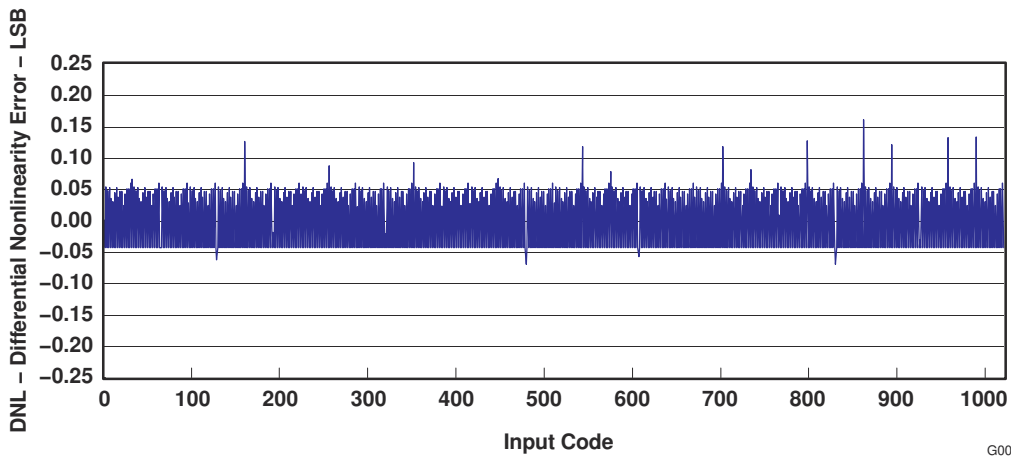


Figure 6-2. Differential Nonlinearity vs Input Code

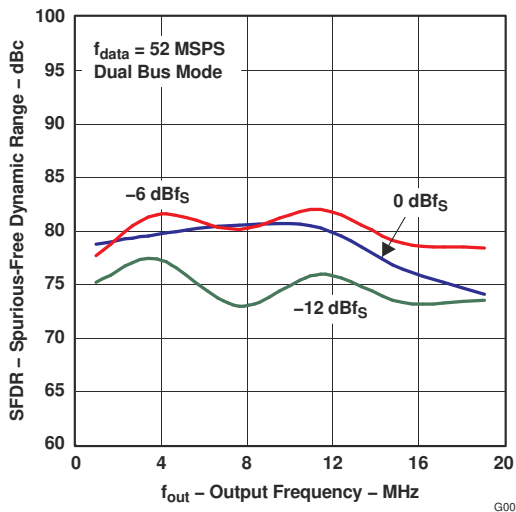


Figure 6-3. Spurious-Free Dynamic Range vs Output Frequency

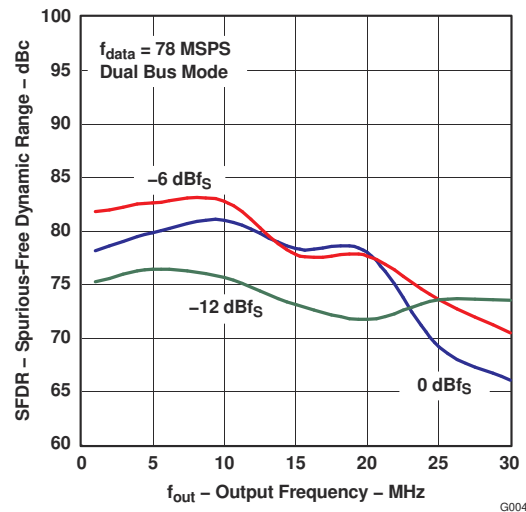


Figure 6-4. Spurious-Free Dynamic Range vs Output Frequency

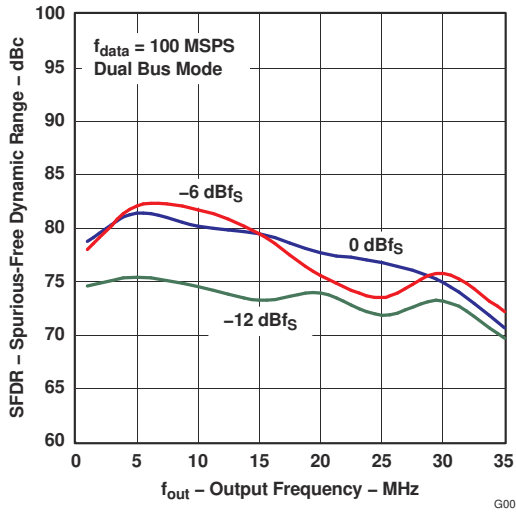


Figure 6-5. Spurious-Free Dynamic Range vs Output Frequency

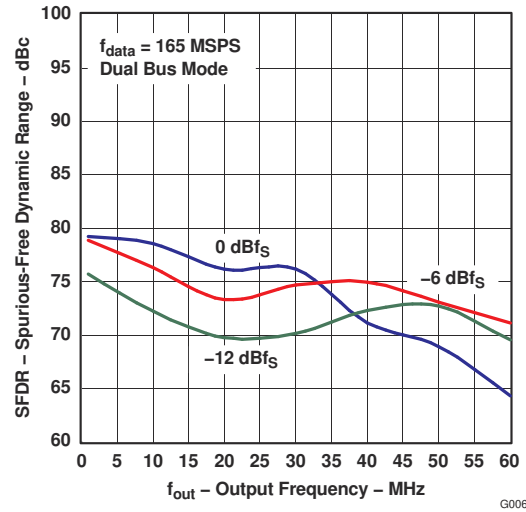


Figure 6-6. Spurious-Free Dynamic Range vs Output Frequency

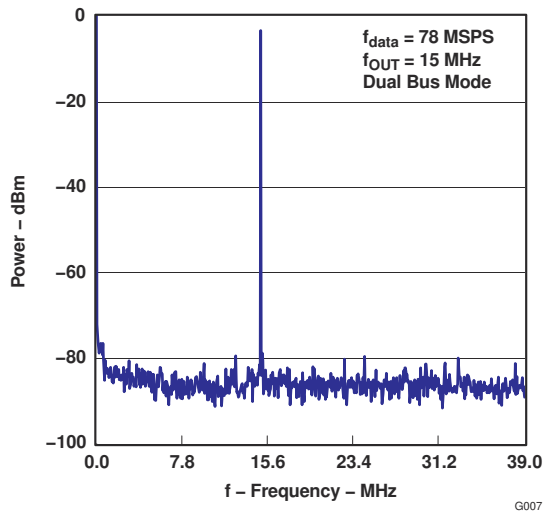


Figure 6-7. Single-Tone Spectrum

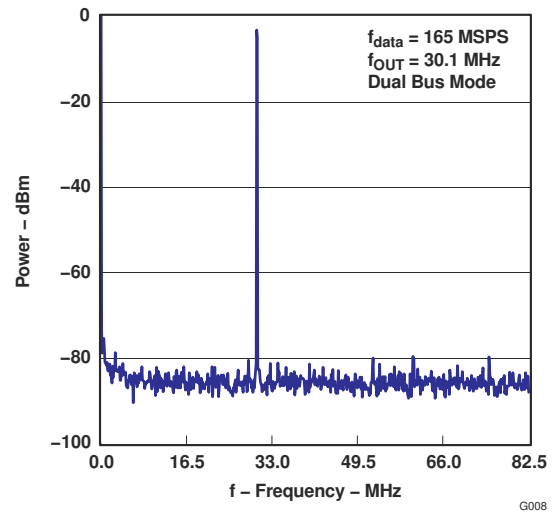


Figure 6-8. Single-Tone Spectrum

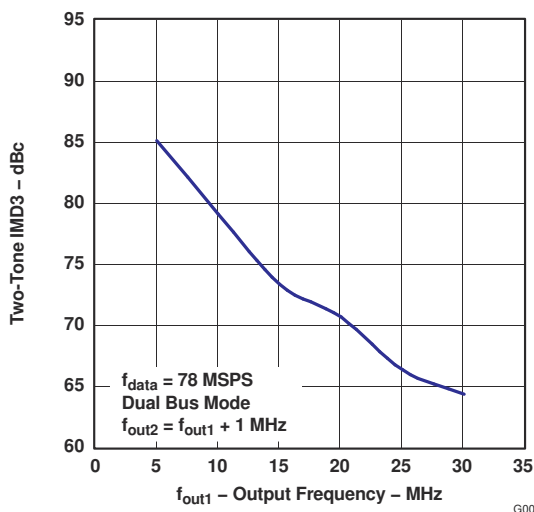


Figure 6-9. Two-Tone IMD3 vs Output Frequency

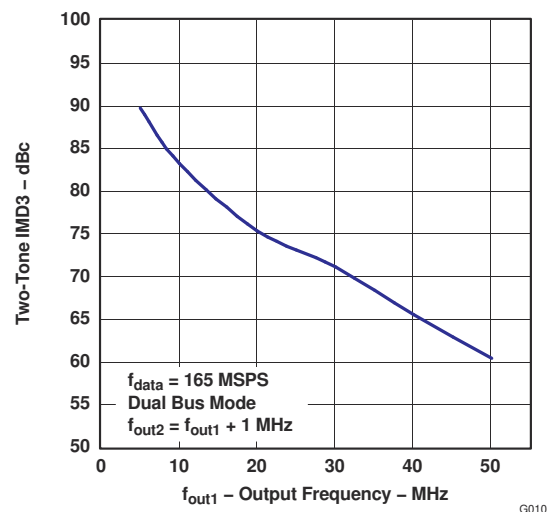
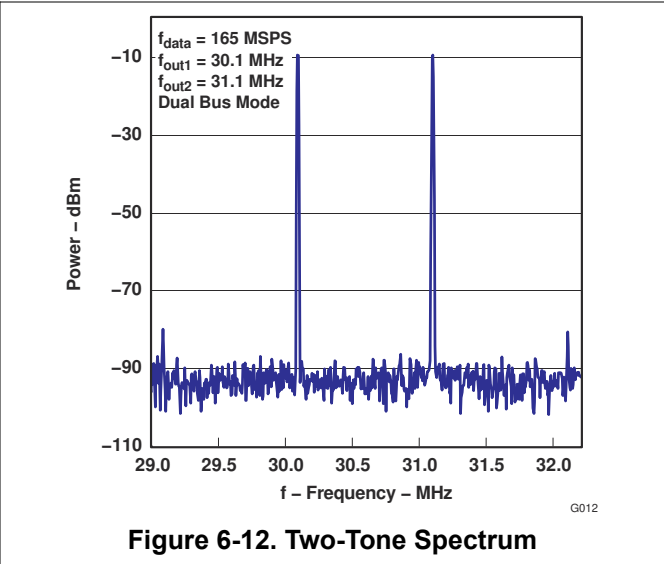
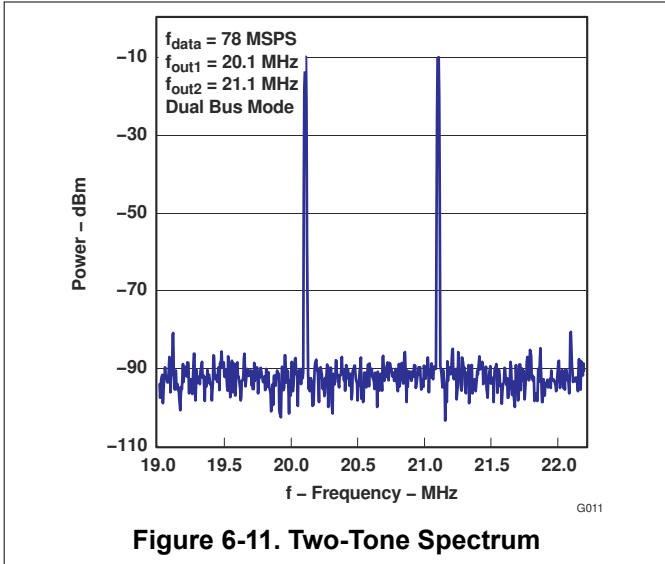


Figure 6-10. Two-Tone IMD3 vs Output Frequency



7 Parameter Measurement Information

7.1 Digital Inputs and Timing

7.1.1 Digital Inputs

The data input ports of the DAC5652 accept a standard positive coding with data bits DA9 and DB9 being the most significant bits (MSB). The converter outputs support a clock rate of up to 275 MSPS. The best performance is typically achieved with a symmetric duty cycle for write and clock; however, the duty cycle may vary as long as the timing specifications are met. Similarly, the setup and hold times may be chosen within their specified limits.

All digital inputs of the DAC5652 are CMOS compatible. Figure 7-1 and Figure 7-2 show schematics of the equivalent CMOS digital inputs of the DAC5652. The pullup and pulldown circuitry is approximately equivalent to 100kΩ. The 10-bit digital data input follows the offset positive binary coding scheme. The DAC5652 is designed to operate with a digital supply (DVDD) of 3 V to 3.6 V.

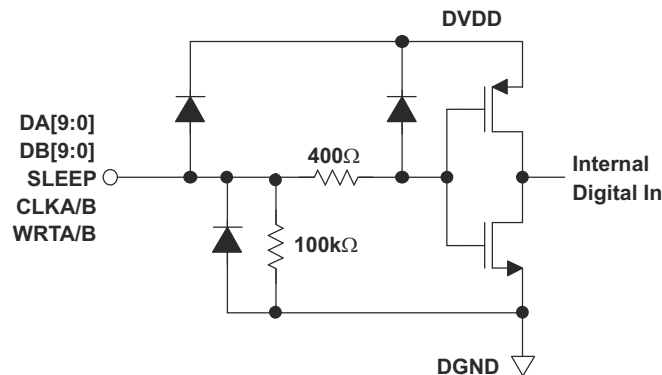


Figure 7-1. CMOS/TTL Digital Equivalent Input With Internal Pulldown Resistor

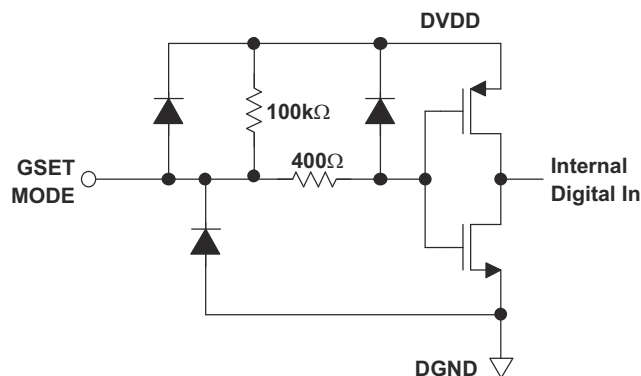


Figure 7-2. CMOS/TTL Digital Equivalent Input With Internal Pullup Resistor

7.1.2 Input Interfaces

The DAC5652 features two operating modes selected by the MODE pin, as shown in Table 7-1.

- For dual-bus input mode, the device essentially consists of two separate DACs. Each DAC has its own separate data input bus, clock input, and data write signal (data latch-in).
- In single-bus interleaved mode, the data must be presented interleaved at the A-channel input bus. The B-channel input bus is not used in this mode. The clock and write input are now shared by both DACs.

Table 7-1. Operating Modes

| MODE Pin | MODE pin connected to DGND | MODE pin connected to DVDD |
|-----------|--|---|
| Bus input | Single-bus interleaved mode, clock and write input equal for both DACs | Dual-bus mode, DACs operate independently |

7.1.3 Dual-Bus Data Interface and Timing

In dual-bus mode, the MODE pin is connected to DVDD. The two converter channels within the DAC5652 consist of two independent, 10-bit, parallel data ports. Each DAC channel is controlled by its own set of write (WRTA, WRTB) and clock (CLKA, CLKB) lines. The WRTA/B lines control the channel input latches and the CLKA/B lines control the DAC latches. The data is first loaded into the input latch by a rising edge of the WRTA/B line.

The internal data transfer requires a correct sequence of write and clock inputs, since essentially two clock domains having equal periods (but possibly different phases) are input to the DAC5652. This is defined by a minimum requirement of the time between the rising edge of the clock and the rising edge of the write inputs. This essentially implies that the rising edge of CLKA/B must occur at the same time or before the rising edge of the WRTA/B signal. A minimum delay of 2 ns must be maintained if the rising edge of the clock occurs after the rising edge of the write. Note that these conditions are satisfied when the clock and write inputs are connected externally. Note that all specifications were measured with the WRTA/B and CLKA/B lines connected together.

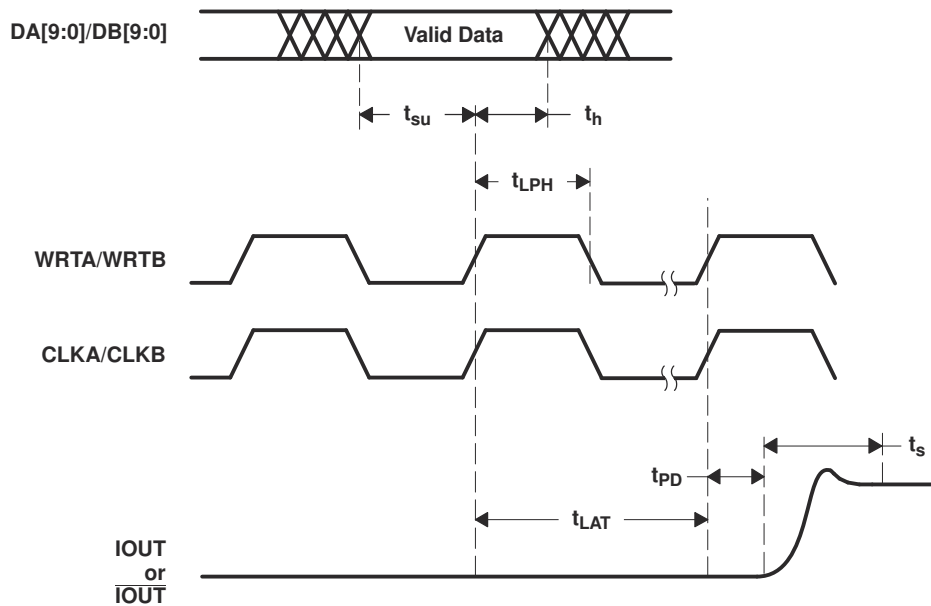


Figure 7-3. Dual-Bus Mode Operation

7.1.4 Single-Bus Interleaved Data Interface and Timing

In single-bus interleaved mode, the MODE pin is connected to DGND. Figure 7-4 shows the timing diagram. In interleaved mode, the A- and B-channels share the write input (WRTIQ) and update clock (CLKIQ and internal CLKDACIQ). Multiplexing logic directs the input word at the A-channel input bus to either the A-channel input latch (SELECTIQ is high) or to the B-channel input latch (SELECTIQ is low). When SELECTIQ is high, the data value in the B-channel latch is retained by presenting the latch output data to its input again. When SELECTIQ is low, the data value in the A-channel latch is retained by presenting the latch output data to its input.

In interleaved mode, the A-channel input data rate is twice the update rate of the DAC core. As in dual-bus mode, it is important to maintain a correct sequence of write and clock inputs. The edge-triggered flip-flops latch the A- and B-channel input words on the rising edge of the write input (WRTIQ). This data is presented to the A- and B-DAC latches on the following falling edge of the write inputs. The DAC5652 clock input is divided by a factor of two before it is presented to the DAC latches.

Correct pairing of the A- and B-channel data is done by RESETIQ. In interleaved mode, the clock input CLKIQ is divided by two, which would translate to a non-deterministic relation between the rising edges of the CLKIQ and CLKDACIQ. RESETIQ ensures, however, that the correct position of the rising edge of CLKDACIQ with respect to the data at the input of the DAC latch is determined. CLKDACIQ is disabled (low) when RESETIQ is high.

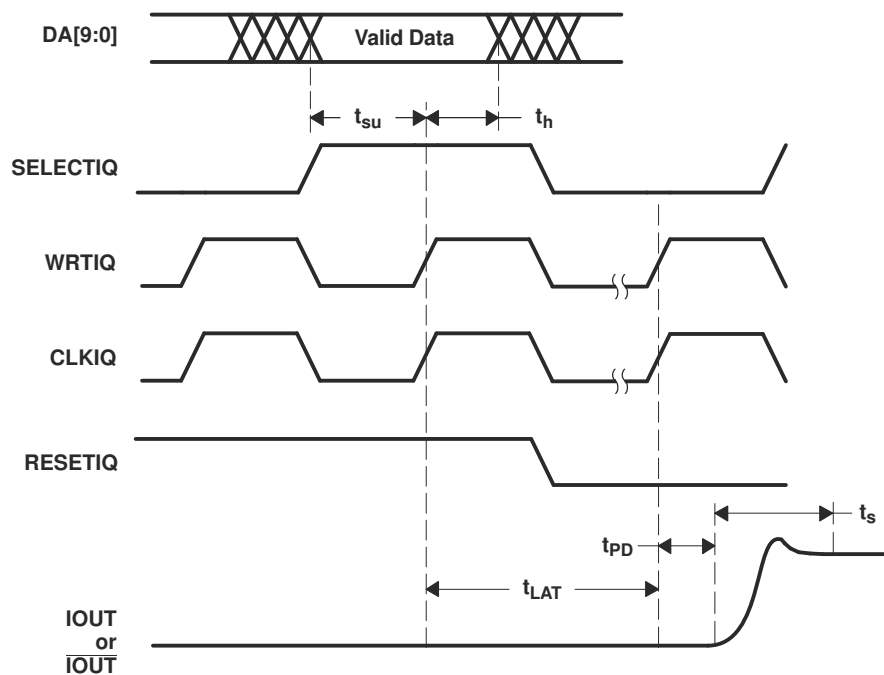


Figure 7-4. Single-Bus Interleaved Mode Operation

8 Detailed Description

8.1 Overview

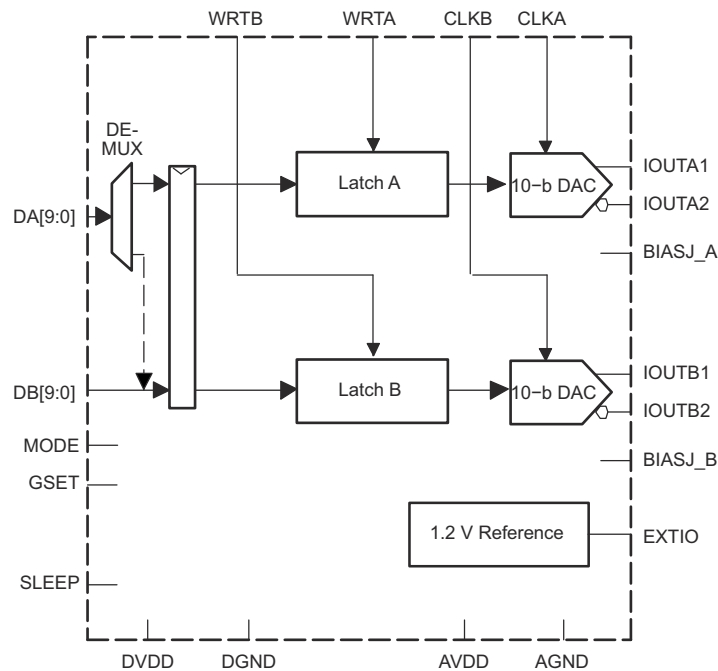
The architecture of the DAC5652 uses a current steering technique to enable fast switching and high update rate. The core element within the monolithic DAC is an array of segmented current sources that are designed to deliver a full-scale output current of up to 20 mA. An internal decoder addresses the differential current switches each time the DAC is updated and a corresponding output current is formed by steering all currents to either output summing node, IOUT1 or IOUT2. The complementary outputs deliver a differential output signal, which improves the dynamic performance through reduction of even-order harmonics, common-mode signals (noise), and double the peak-to-peak output signal swing by a factor of two, as compared to single-ended operation.

The segmented architecture results in a significant reduction of the glitch energy and improves the dynamic performance (SFDR) and DNL. The current outputs maintain a very high output impedance of greater than 300 k Ω .

When pin 42 (GSET) is high (simultaneous gain set mode), the full-scale output current for both DACs is determined by the ratio of the internal reference voltage (1.2 V) and an external resistor (R_{SET}) connected to BIASJ_A. When GSET is low (independent gain set mode), the full-scale output current for each DAC is determined by the ratio of the internal reference voltage (1.2 V) and separate external resistors (R_{SET}) connected to BIASJ_A and BIASJ_B. The resulting I_{REF} is internally multiplied by a factor of 32 to produce an effective DAC output current that can range from 2 mA to 20 mA, depending on the value of R_{SET} .

The DAC5652 is split into a digital and an analog portion, each of which is powered through its own supply pin. The digital section includes edge-triggered input latches and the decoder logic, while the analog section comprises both the current source array with its associated switches, and the reference circuitry.

8.2 Functional Block Diagram



8.3 Feature Description

8.3.1 DAC Transfer Function

Each of the DACs in the DAC5652 has a set of complementary current outputs, I_{OUT1} and I_{OUT2} . The full-scale output current, I_{OUTFS} , is the summation of the two complementary output currents:

$$I_{OUTFS} = I_{OUT1} + I_{OUT2} \quad (1)$$

The individual output currents depend on the DAC code and can be expressed as:

$$I_{OUT1} = I_{OUTFS} \times \left(\frac{\text{Code}}{1024} \right) \quad (2)$$

$$I_{OUT2} = I_{OUTFS} \times \left(\frac{1023 - \text{Code}}{1024} \right) \quad (3)$$

where Code is the decimal representation of the DAC data input word. Additionally, I_{OUTFS} is a function of the reference current I_{REF} , which is determined by the reference voltage and the external setting resistor (R_{SET}).

$$I_{OUTFS} = 32 \times I_{REF} = 32 \times \frac{V_{REF}}{R_{SET}} \quad (4)$$

In most cases, the complementary outputs drive resistive loads or a terminated transformer. A signal voltage develops at each output according to:

$$V_{OUT1} = I_{OUT1} \times R_{LOAD} \quad (5)$$

$$V_{OUT2} = I_{OUT2} \times R_{LOAD} \quad (6)$$

The value of the load resistance is limited by the output compliance specification of the DAC5652. To maintain specified linearity performance, the voltage for I_{OUT1} and I_{OUT2} must not exceed the maximum allowable compliance range.

The total differential output voltage is:

$$V_{OUTDIFF} = V_{OUT1} - V_{OUT2} \quad (7)$$

$$V_{OUTDIFF} = \frac{(2 \times \text{Code} - 1023)}{1024} \times I_{OUTFS} \times R_{LOAD} \quad (8)$$

8.3.2 Analog Outputs

The DAC5652 provides two complementary current outputs, I_{OUT1} and I_{OUT2} . The simplified circuit of the analog output stage representing the differential topology is shown in Figure 8-1. The output impedance of I_{OUT1} and I_{OUT2} results from the parallel combination of the differential switches, along with the current sources and associated parasitic capacitances.

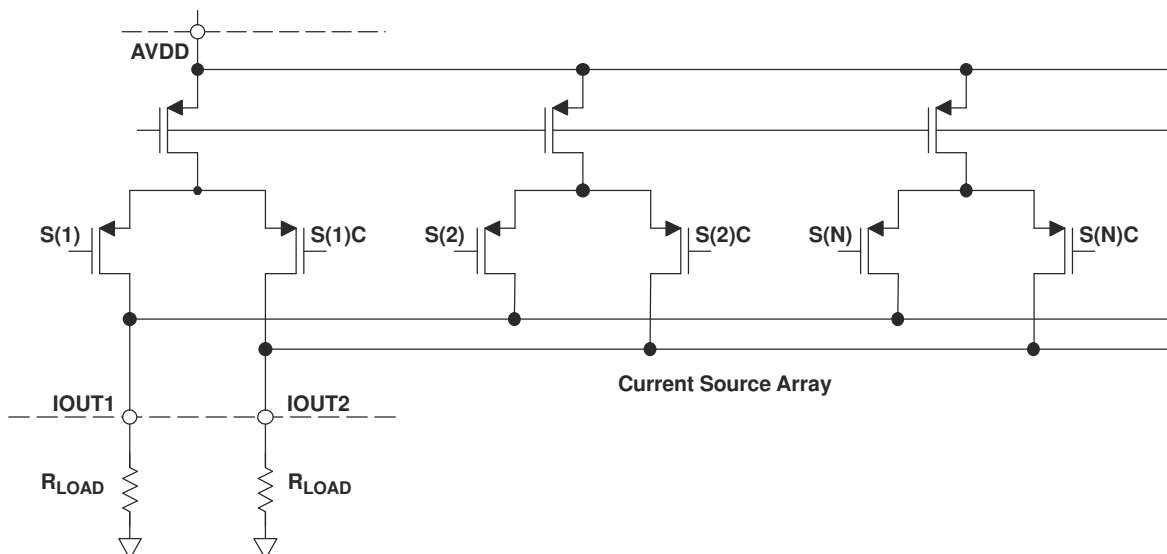


Figure 8-1. Analog Outputs

The signal voltage swing that may develop at the two outputs, I_{OUT1} and I_{OUT2} , is limited by a negative and positive compliance. The negative limit of -1 V is given by the breakdown voltage of the CMOS process and exceeding it compromises the reliability of the DAC5652 (or even causes permanent damage). With the full-scale output set to 20 mA, the positive compliance equals 1.2 V. Note that the compliance range decreases to about

1 V for a selected output current of $I_{OUTFS} = 2$ mA. Care must be taken that the configuration of DAC5652 does not exceed the compliance range to avoid degradation of the distortion performance and integral linearity.

Best distortion performance is typically achieved with the maximum full-scale output signal limited to approximately $0.5 V_{PP}$. This is the case for a $50\text{-}\Omega$ doubly-terminated load and a 20-mA full-scale output current. A variety of loads can be adapted to the output of the DAC5652 by selecting a suitable transformer while maintaining optimum voltage levels at I_{OUT1} and I_{OUT2} . Furthermore, using the differential output configuration in combination with a transformer is instrumental for achieving excellent distortion performance. Common-mode errors, such as even-order harmonics or noise, can be substantially reduced. This is particularly the case with high output frequencies.

For those applications requiring the optimum distortion and noise performance, it is recommended to select a full-scale output of 20 mA. A lower full-scale range of 2 mA may be considered for applications that require low power consumption, but can tolerate a slight reduction in performance level.

8.3.3 Output Configurations

The current outputs of the DAC5652 allow for a variety of configurations. As mentioned previously, utilizing the converter's differential outputs yield the best dynamic performance. Such a differential output circuit may consist of an RF transformer or a differential amplifier configuration. The transformer configuration is ideal for most applications with ac coupling, while op amps are suitable for a dc-coupled configuration.

The single-ended configuration may be considered for applications requiring a unipolar output voltage. Connecting a resistor from either one of the outputs to ground converts the output current into a ground-referenced voltage signal. To improve on the dc linearity by maintaining a virtual ground, an I-to-V or op-amp configuration may be considered.

8.3.4 Differential With Transformer

Using an RF transformer provides a convenient way of converting the differential output signal into a single-ended signal while achieving excellent dynamic performance. The appropriate transformer must be carefully selected based on the output frequency spectrum and impedance requirements.

The differential transformer configuration has the benefit of significantly reducing common-mode signals, thus improving the dynamic performance over a wide range of frequencies. Furthermore, by selecting a suitable impedance ratio (winding ratio) the transformer can provide optimum impedance matching while controlling the compliance voltage for the converter outputs.

Figure 8-2 and Figure 8-3 show 50- Ω doubly-terminated transformer configurations with 1:1 and 4:1 impedance ratios, respectively. Note that the center tap of the primary input of the transformer has to be grounded to enable a dc-current flow. Applying a 20-mA full-scale output current would lead to a 0.5-V_{PP} output for a 1:1 transformer and a 1-V_{PP} output for a 4:1 transformer. In general, the 1:1 transformer configuration will have slightly better output distortion, but the 4:1 transformer will have 6 dB higher output power.

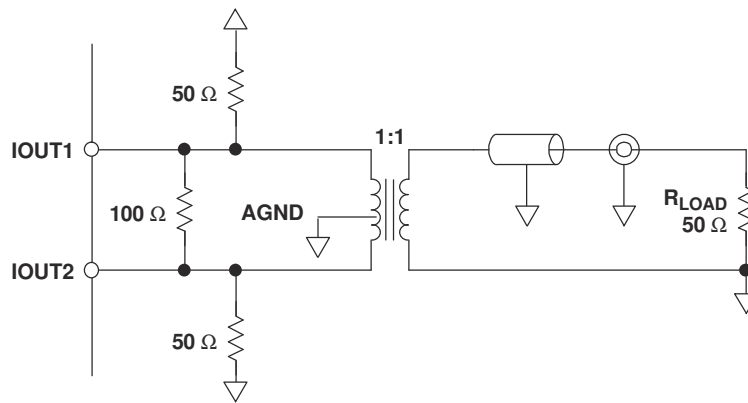


Figure 8-2. Driving a Doubly-Terminated 50- Ω Cable Using a 1:1 Impedance Ratio Transformer

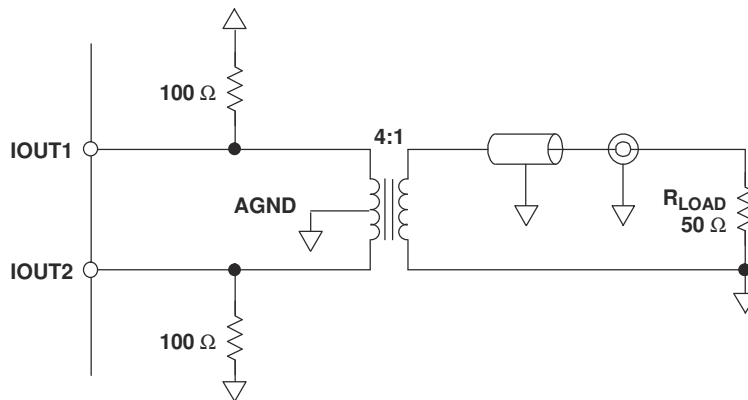


Figure 8-3. Driving a Doubly-Terminated 50- Ω Cable Using a 4:1 Impedance Ratio Transformer

8.3.5 Single-Ended Configuration

Figure 8-4 shows the single-ended output configuration, where the output current I_{OUT1} flows into an equivalent load resistance of 25 Ω . Node IOUT2 must be connected to AGND or terminated with a resistor of 25 Ω to AGND. The nominal resistor load of 25 Ω gives a differential output swing of 1 V_{PP} when applying a 20-mA full-scale output current.

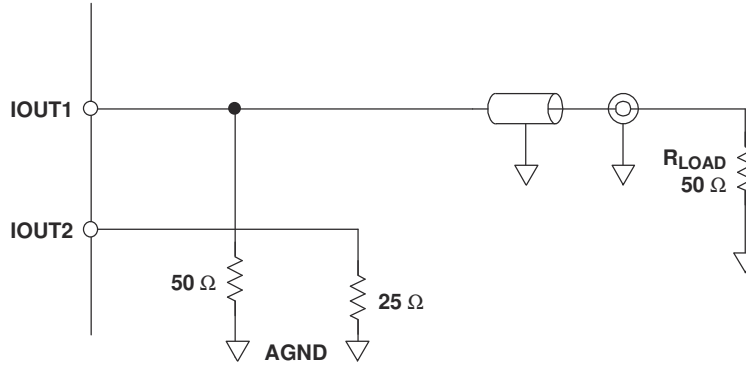


Figure 8-4. Driving a Doubly-Terminated 50-Ω Cable Using a Single-Ended Output

8.3.6 Reference Operation

8.3.6.1 Internal Reference

The DAC5652 has an on-chip reference circuit which comprises a 1.2-V bandgap reference and two control amplifiers, one for each DAC. The full-scale output current, I_{OUTFS} , of the DAC5652 is determined by the reference voltage, V_{REF} , and the value of resistor R_{SET} . I_{OUTFS} can be calculated by:

$$I_{OUTFS} = 32 \times I_{REF} = 32 \times \frac{V_{REF}}{R_{SET}} \quad (9)$$

The reference control amplifier operates as a V-to-I converter producing a reference current, I_{REF} , which is determined by the ratio of V_{REF} and R_{SET} (see Equation 9). The full-scale output current, I_{OUTFS} , results from multiplying I_{REF} by a fixed factor of 32.

Using the internal reference, a 2-kΩ resistor value results in a full-scale output of approximately 20 mA. Resistors with a tolerance of 1% or better should be considered. Selecting higher values, the output current can be adjusted from 20 mA down to 2 mA. Operating the DAC5652 at lower than 20-mA output currents may be desirable for reasons of reducing the total power consumption, improving the distortion performance, or observing the output compliance voltage limitations for a given load condition.

It is recommended to bypass the EXTIO pin with a ceramic chip capacitor of 0.1 μF or more. The control amplifier is internally compensated and its small signal bandwidth is approximately 300 kHz.

8.3.6.2 External Reference

The internal reference can be disabled by simply applying an external reference voltage into the EXTIO pin, which in this case functions as an input. The use of an external reference may be considered for applications that require higher accuracy and drift performance or to add the ability of dynamic gain control.

While a 0.1-μF capacitor is recommended to be used with the internal reference, it is optional for the external reference operation. The reference input, EXTIO, has a high input impedance (1 MΩ) and can easily be driven by various sources. Note that the voltage range of the external reference must stay within the compliance range of the reference input.

8.3.7 Gain Setting Option

The full-scale output current on the DAC5652 can be set two ways: either for each of the two DAC channels independently or for both channels simultaneously. For the independent gain set mode, the GSET pin (pin 42) must be low (that is, connected to AGND). In this mode, two external resistors are required — one R_{SET} connected to the BIASJ_A pin (pin 44) and the other to the BIASJ_B pin (pin 41). In this configuration, the user has the flexibility to set and adjust the full-scale output current for each DAC independently, allowing for the compensation of possible gain mismatches elsewhere within the transmit signal path.

Alternatively, bringing the GSET pin high (that is, connected to AVDD), the DAC5652 switches into the simultaneous gain set mode. Now the full-scale output current of both DAC channels is determined by only one

external R_{SET} resistor connected to the BIASJ_A pin. The resistor at the BIASJ_B pin may be removed; however, this is not required since this pin is not functional in this mode and the resistor has no effect on the gain equation.

8.4 Device Functional Modes

8.4.1 Sleep Mode

The DAC5652 features a power-down function which can reduce the total supply current to approximately 3.1 mA over the specified supply range if no clock is present. Applying a logic high to the SLEEP pin initiates the power-down mode, while a logic low enables normal operation. When left unconnected, an internal active pulldown circuit enables the normal operation of the converter.

9 Application Information Disclaimer

Note

Information in the following applications sections is not part of the TI component specification, and TI does not warrant its accuracy or completeness. TI's customers are responsible for determining suitability of components for their purposes, as well as validating and testing their design implementation to confirm system functionality.

9.1 Application Information

The lower limit of the output compliance is determined by the CMOS process. Exceeding this limit may result in transistor breakdown, resulting in reduced reliability of the DAC5652 device. The upper limit of the output compliance is determined by the load resistors and full-scale output current. Exceeding the upper limit adversely affects distortion performance and integral nonlinearity.

9.2 Typical Application

A typical application for the DAC5652 is a dual- or single-carrier transmitter. The DAC is provided with some input digital baseband signal, and outputs an analog carrier. A design example for a single-carrier transmitter is described in this section.

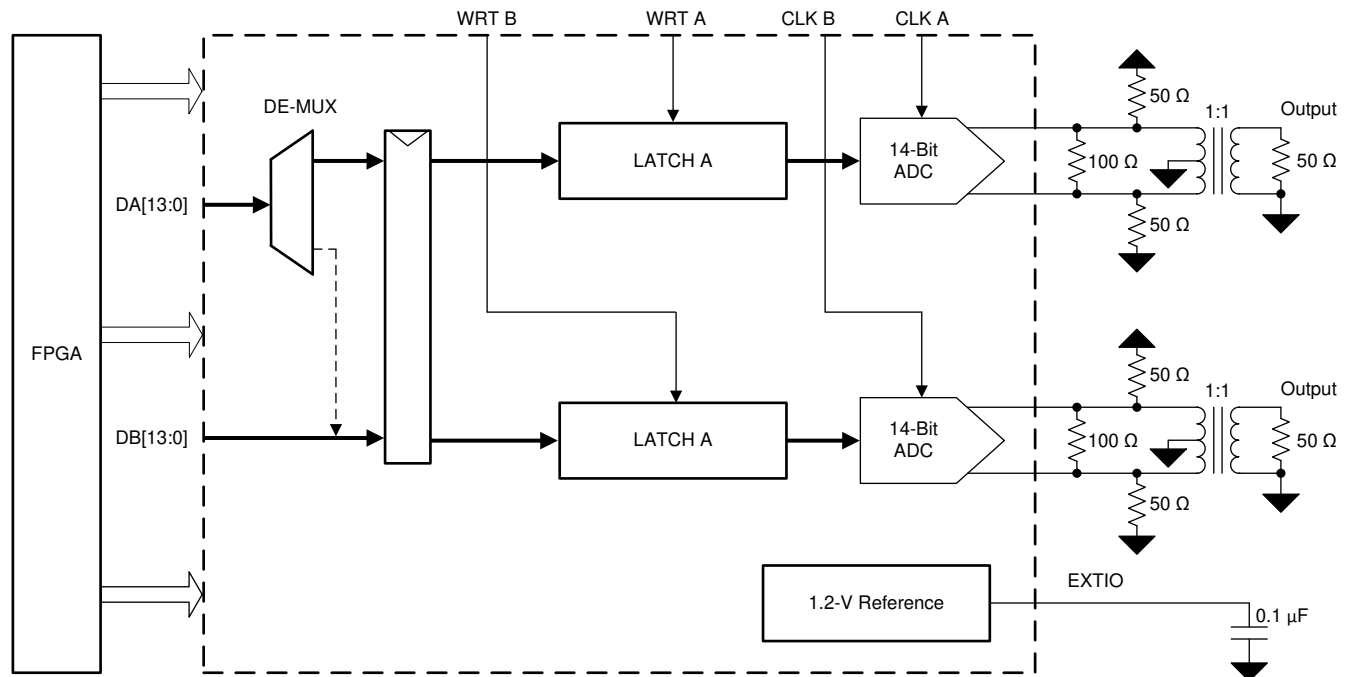


Figure 9-1. Single-Carrier Transmitter

9.2.1 Design Requirements

The requirements for this design are to generate a single WCDMA signal at an intermediate frequency of 30.72 MHz. The ACLR needs to be better than 72 dBc.

Table 9-1. Design Parameters

| FEATURE | SPECIFICATION |
|--------------------|----------------------------|
| Number of carriers | 1 |
| AVDD and DVDD | 3.3 V |
| Clock rate | 122.88 MSPS |
| Input data | WCDMA with IF at 30.72 MHz |

Table 9-1. Design Parameters (continued)

| FEATURE | SPECIFICATION |
|---------|---------------|
| ACPR | > 72 dB |

9.2.2 Detailed Design Procedure

The single WCDMA carrier signal with an intermediate frequency (IF) of 30.72 MHz must be created in the digital processor at a sample rate of 122.88 MSPS for the DAC. These 10-bit samples are placed on the 10-bit CMOS input port of the DAC.

A CMOS DAC clock must be generated from a clock source at 122.88 MHz. This clock must be provided to the CLK pin of the DAC. The IOUTA and IOUTB differential connections must be connected to a transformer in order to provide a single-ended output. A typical 1:1 impedance transformer is used on the device EVM. The DAC5672A evaluation module (EVM) provides a good reference for this design example.

9.2.3 Application Performance Plots

This spectrum analyzer plot shows the adjacent channel power ratio (ACPR) for the transformer output, single-carrier signal with an intermediate frequency of 30.72 MHz. The results meet the system requirements for a minimum of 72 dBc ACPR.

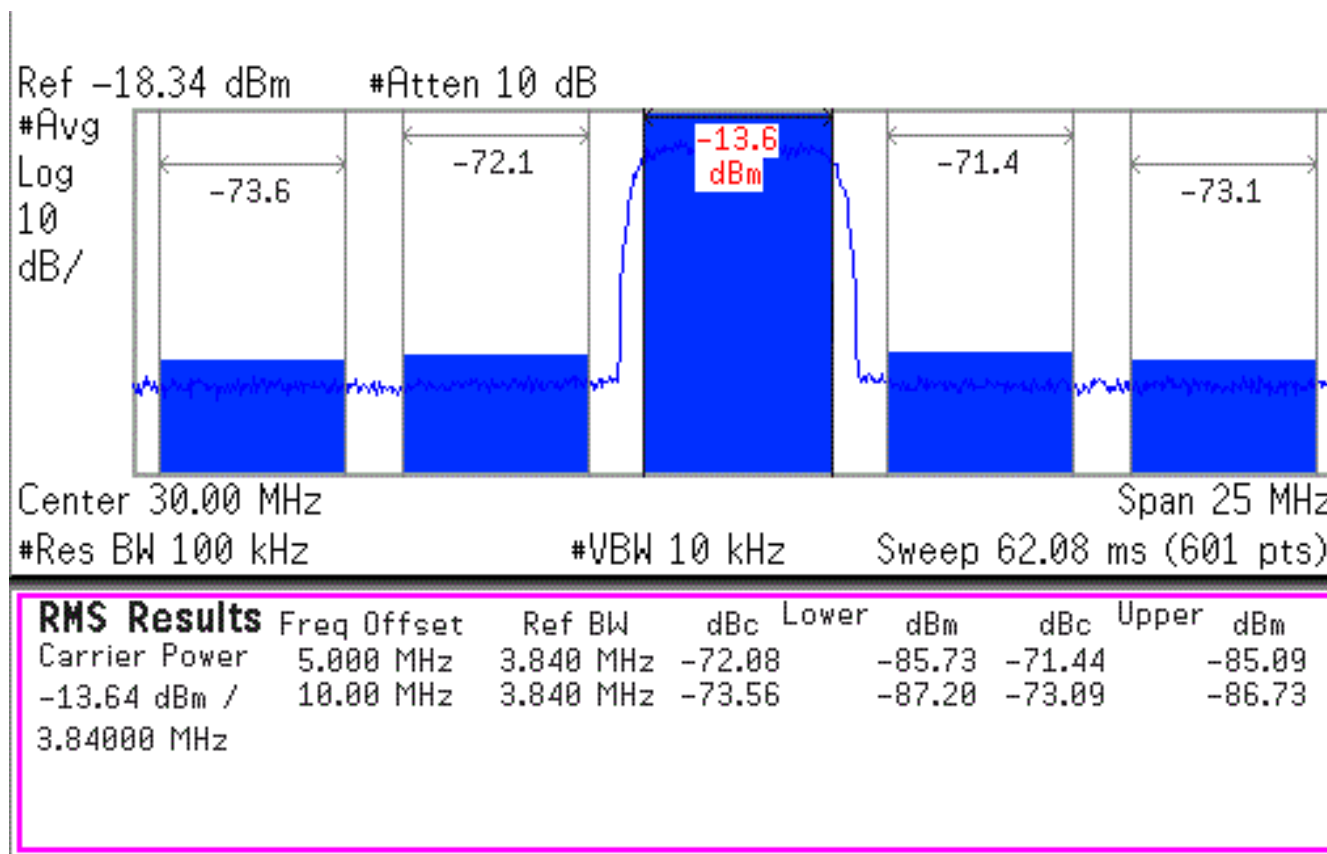


Figure 9-2. ACPR Performance

10 Power Supply Recommendations

Power the device with the nominal supply voltages as indicated in the [Recommended Operating Conditions](#).

In most instances, the best performance is achieved with LDO supplies. However, the supplies may be driven with direct outputs from a DC/DC switcher, as long as the noise performance of the switcher is acceptable.

For best performance:

- Use at least two power layers.
- Avoid placing digital supplies and clean supplies on adjacent board layers.
- Use a ground layer between noisy and clean supplies, if possible.
- Decouple all supply pins as close to the pins as possible, using small-value capacitors, with larger , bulk capacitors placed further away.

11 Layout

11.1 Layout Guidelines

Use the DAC5652EVM layout as reference to obtain the best performance. A sample layout is shown in in the Figure 12-1 through Figure 12-4. Some important layout recommendations are:

1. Use a single ground plane. Keep the digital and analog signals on distinct separate sections of the board. This may be virtually divided down the middle of the device package when doing placement and layout.
2. Keep the analog outputs as far away from the switching clocks and digital signals as possible. This keeps coupling from the digital circuits to the analog outputs to a minimum.
3. Keep decoupling capacitors close to the power pins of the device.

11.2 Layout Example

Figure 11-1 through Figure 11-4 show the layout examples.

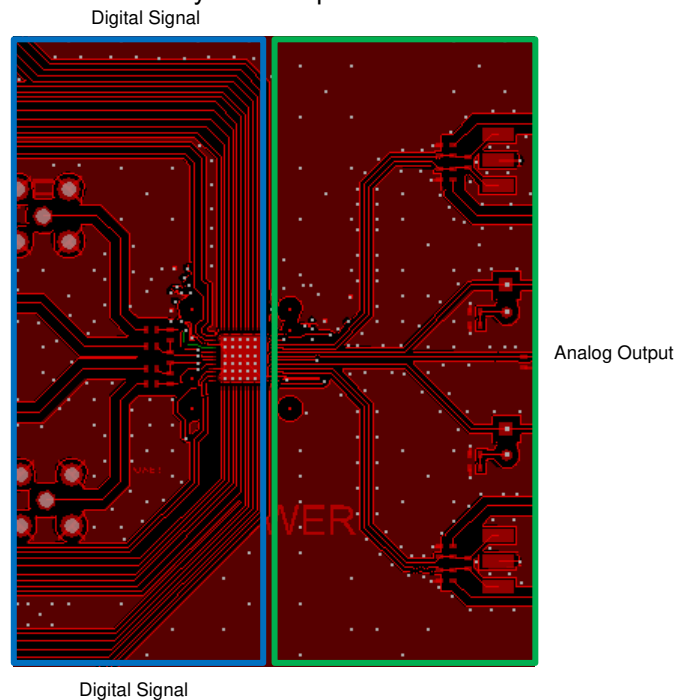


Figure 11-1. Top Layer (Layer 1)

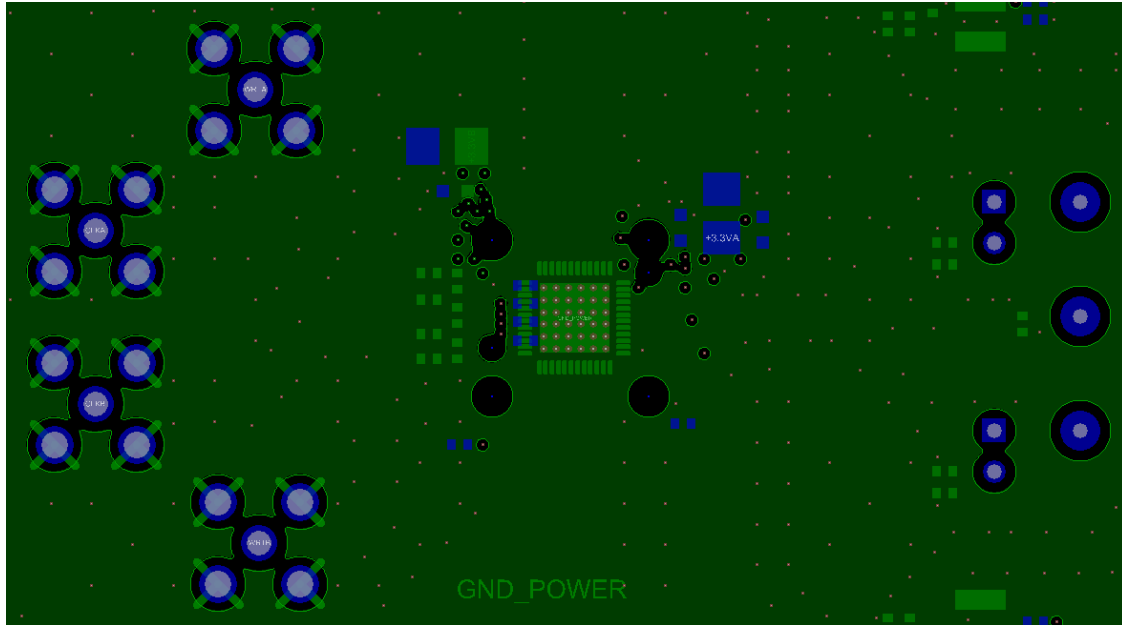


Figure 11-2. Single Ground Plane (Layer 2)

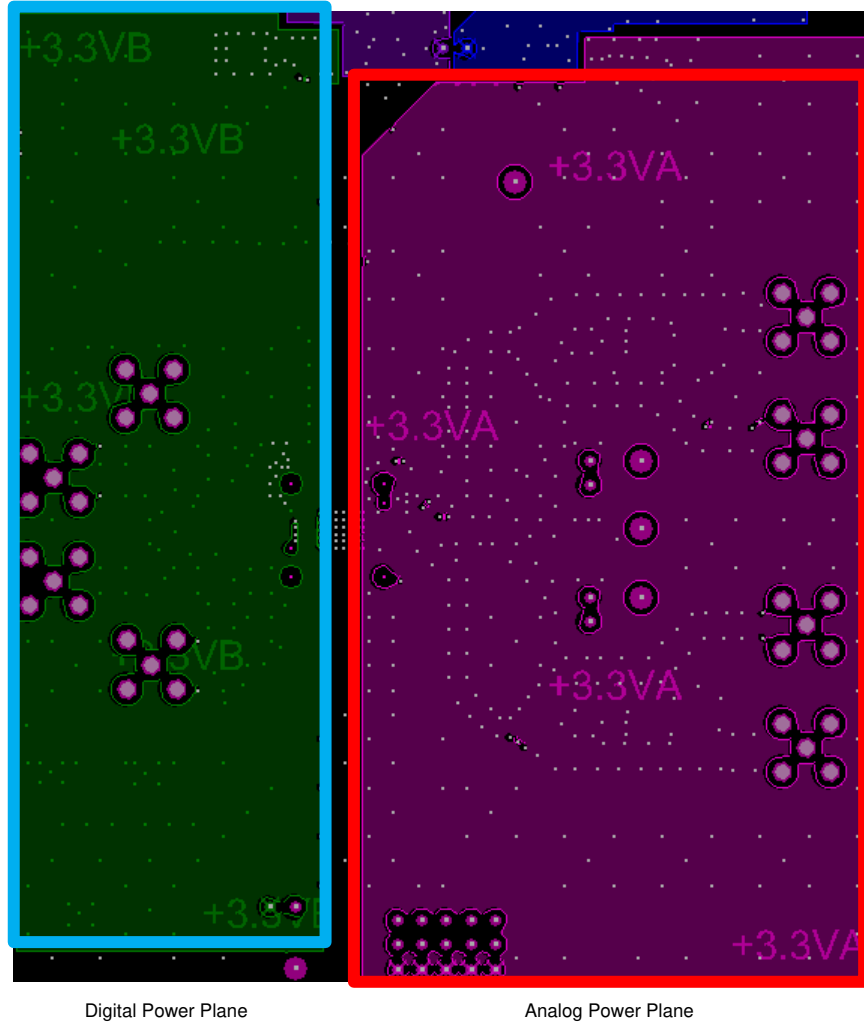


Figure 11-3. Power Plane (Layer 3)

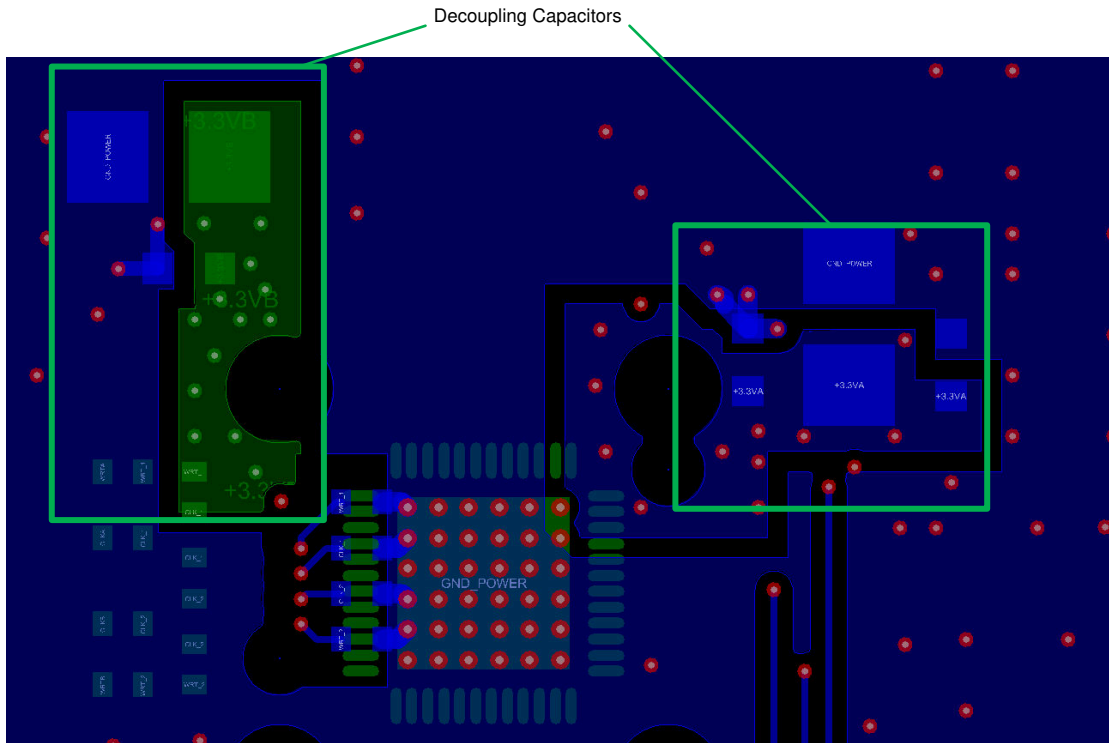


Figure 11-4. Bottom Layer (Layer 4)

12 Device and Documentation Support

TI offers an extensive line of development tools. Tools and software to evaluate the performance of the device, generate code, and develop solutions are listed below.

12.1 Documentation Support

12.1.1 Related Documentation

12.2 Receiving Notification of Documentation Updates

To receive notification of documentation updates, navigate to the device product folder on ti.com. Click on *Subscribe to updates* to register and receive a weekly digest of any product information that has changed. For change details, review the revision history included in any revised document.

12.3 Support Resources

[TI E2E™ support forums](#) are an engineer's go-to source for fast, verified answers and design help — straight from the experts. Search existing answers or ask your own question to get the quick design help you need.

Linked content is provided "AS IS" by the respective contributors. They do not constitute TI specifications and do not necessarily reflect TI's views; see TI's [Terms of Use](#).

12.4 Trademarks

TI E2E™ is a trademark of Texas Instruments.

All trademarks are the property of their respective owners.

12.5 Electrostatic Discharge Caution



This integrated circuit can be damaged by ESD. Texas Instruments recommends that all integrated circuits be handled with appropriate precautions. Failure to observe proper handling and installation procedures can cause damage.

ESD damage can range from subtle performance degradation to complete device failure. Precision integrated circuits may be more susceptible to damage because very small parametric changes could cause the device not to meet its published specifications.

12.6 Glossary

[TI Glossary](#) This glossary lists and explains terms, acronyms, and definitions.

13 Mechanical, Packaging, and Orderable Information

The following pages include mechanical, packaging, and orderable information. This information is the most current data available for the designated devices. This data is subject to change without notice and revision of this document. For browser-based versions of this data sheet, refer to the left-hand navigation.

PACKAGING INFORMATION

| Orderable Device | Status (1) | Package Type | Package Drawing | Pins | Package Qty | Eco Plan (2) | Lead finish/ Ball material (6) | MSL Peak Temp (3) | Op Temp (°C) | Device Marking (4/5) | Samples |
|------------------|---------------|--------------|-----------------|------|-------------|-----------------|--------------------------------------|----------------------|--------------|-------------------------|-------------------------|
| DAC5652IPFB | ACTIVE | TQFP | PFB | 48 | 250 | RoHS & Green | NIPDAU | Level-2-260C-1 YEAR | -40 to 85 | DAC5652I | Samples |
| DAC5652IPFBR | ACTIVE | TQFP | PFB | 48 | 1000 | RoHS & Green | NIPDAU | Level-2-260C-1 YEAR | -40 to 85 | DAC5652I | Samples |

(1) The marketing status values are defined as follows:

ACTIVE: Product device recommended for new designs.

LIFEBUY: TI has announced that the device will be discontinued, and a lifetime-buy period is in effect.

NRND: Not recommended for new designs. Device is in production to support existing customers, but TI does not recommend using this part in a new design.

PREVIEW: Device has been announced but is not in production. Samples may or may not be available.

OBSOLETE: TI has discontinued the production of the device.

(2) **RoHS:** TI defines "RoHS" to mean semiconductor products that are compliant with the current EU RoHS requirements for all 10 RoHS substances, including the requirement that RoHS substance do not exceed 0.1% by weight in homogeneous materials. Where designed to be soldered at high temperatures, "RoHS" products are suitable for use in specified lead-free processes. TI may reference these types of products as "Pb-Free".

RoHS Exempt: TI defines "RoHS Exempt" to mean products that contain lead but are compliant with EU RoHS pursuant to a specific EU RoHS exemption.

Green: TI defines "Green" to mean the content of Chlorine (Cl) and Bromine (Br) based flame retardants meet JS709B low halogen requirements of <=1000ppm threshold. Antimony trioxide based flame retardants must also meet the <=1000ppm threshold requirement.

(3) MSL, Peak Temp. - The Moisture Sensitivity Level rating according to the JEDEC industry standard classifications, and peak solder temperature.

(4) There may be additional marking, which relates to the logo, the lot trace code information, or the environmental category on the device.

(5) Multiple Device Markings will be inside parentheses. Only one Device Marking contained in parentheses and separated by a "~" will appear on a device. If a line is indented then it is a continuation of the previous line and the two combined represent the entire Device Marking for that device.

(6) Lead finish/Ball material - Orderable Devices may have multiple material finish options. Finish options are separated by a vertical ruled line. Lead finish/Ball material values may wrap to two lines if the finish value exceeds the maximum column width.

Important Information and Disclaimer:The information provided on this page represents TI's knowledge and belief as of the date that it is provided. TI bases its knowledge and belief on information provided by third parties, and makes no representation or warranty as to the accuracy of such information. Efforts are underway to better integrate information from third parties. TI has taken and continues to take reasonable steps to provide representative and accurate information but may not have conducted destructive testing or chemical analysis on incoming materials and chemicals. TI and TI suppliers consider certain information to be proprietary, and thus CAS numbers and other limited information may not be available for release.

In no event shall TI's liability arising out of such information exceed the total purchase price of the TI part(s) at issue in this document sold by TI to Customer on an annual basis.

OTHER QUALIFIED VERSIONS OF DAC5652 :

- Enhanced Product: [DAC5652-EP](#)

NOTE: Qualified Version Definitions:

- Enhanced Product - Supports Defense, Aerospace and Medical Applications

TAPE AND REEL INFORMATION

QUADRANT ASSIGNMENTS FOR PIN 1 ORIENTATION IN TAPE

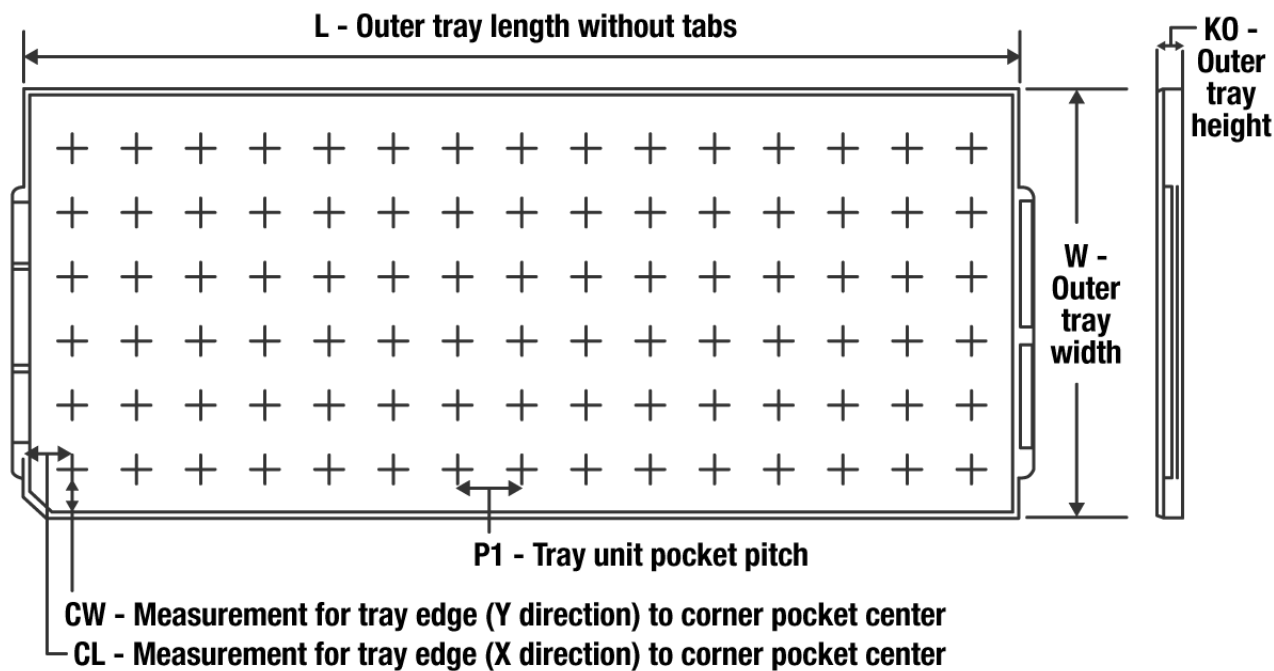

*All dimensions are nominal

| Device | Package Type | Package Drawing | Pins | SPQ | Reel Diameter (mm) | Reel Width W1 (mm) | A0 (mm) | B0 (mm) | K0 (mm) | P1 (mm) | W (mm) | Pin1 Quadrant |
|--------------|--------------|-----------------|------|------|--------------------|--------------------|---------|---------|---------|---------|--------|---------------|
| DAC5652IPFBR | TQFP | PFB | 48 | 1000 | 330.0 | 16.4 | 9.6 | 9.6 | 1.5 | 12.0 | 16.0 | Q2 |

TAPE AND REEL BOX DIMENSIONS


*All dimensions are nominal

| Device | Package Type | Package Drawing | Pins | SPQ | Length (mm) | Width (mm) | Height (mm) |
|--------------|--------------|-----------------|------|------|-------------|------------|-------------|
| DAC5652IPFBR | TQFP | PFB | 48 | 1000 | 367.0 | 367.0 | 38.0 |

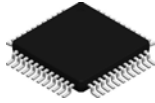
TRAY


Chamfer on Tray corner indicates Pin 1 orientation of packed units.

*All dimensions are nominal

| Device | Package Name | Package Type | Pins | SPQ | Unit array matrix | Max temperature (°C) | L (mm) | W (mm) | K0 (µm) | P1 (mm) | CL (mm) | CW (mm) |
|-------------|--------------|--------------|------|-----|-------------------|----------------------|--------|--------|---------|---------|---------|---------|
| DAC5652IPFB | PFB | TQFP | 48 | 250 | 10 x 25 | 150 | 315 | 135.9 | 7620 | 12.2 | 11.5 | 11.25 |

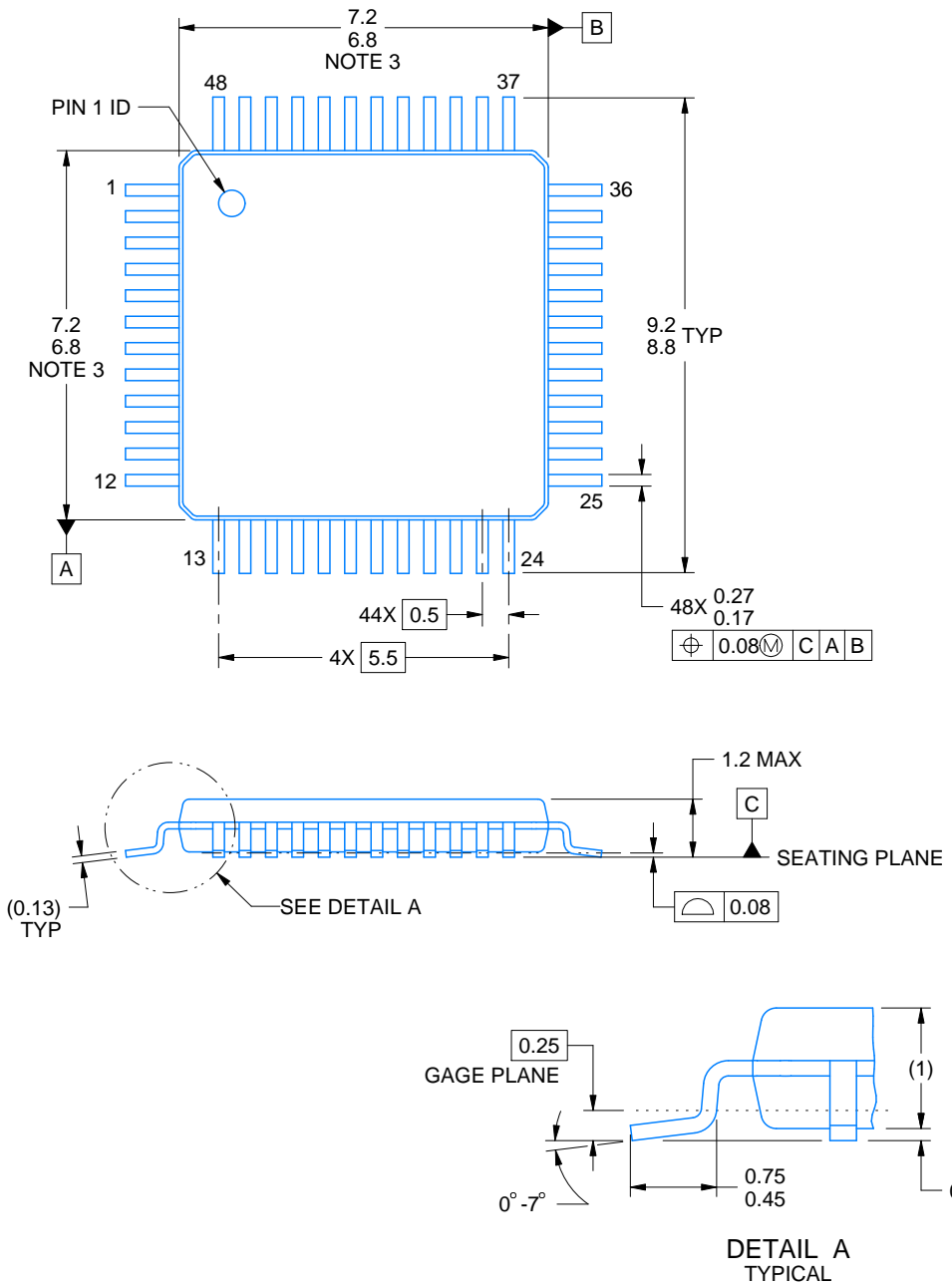
PFB0048A



PACKAGE OUTLINE

TQFP - 1.2 mm max height

PLASTIC QUAD FLATPACK



4215157/A 03/2024

NOTES:

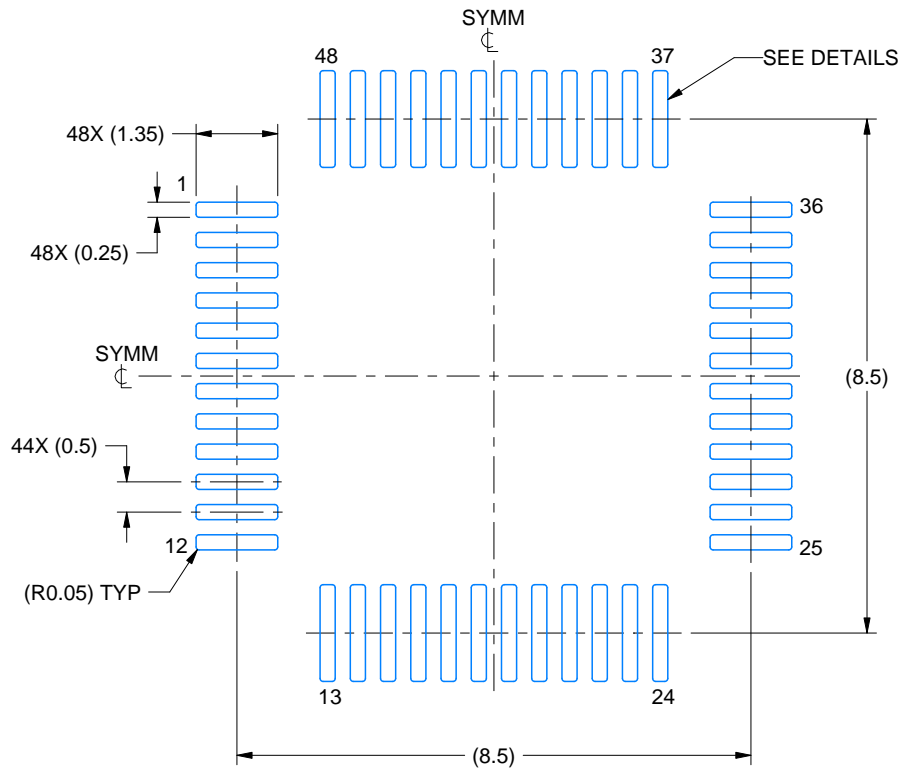
1. All linear dimensions are in millimeters. Any dimensions in parenthesis are for reference only. Dimensioning and tolerancing per ASME Y14.5M.
2. This drawing is subject to change without notice.
3. Reference JEDEC registration MS-026.

EXAMPLE BOARD LAYOUT

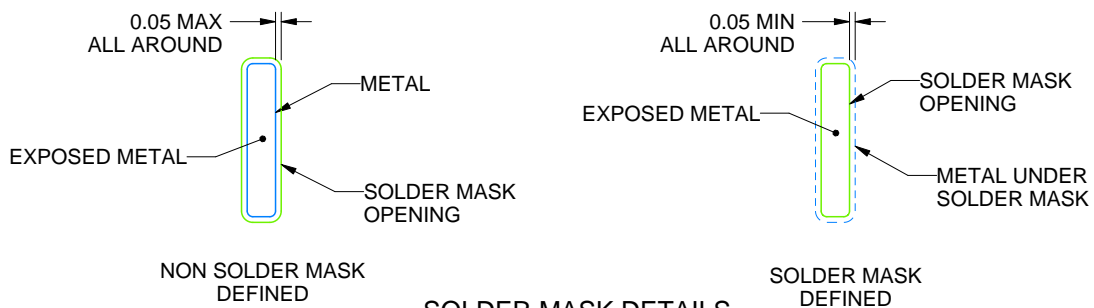
PFB0048A

TQFP - 1.2 mm max height

PLASTIC QUAD FLATPACK



LAND PATTERN EXAMPLE
EXPOSED METAL SHOWN
SCALE:8X



4215157/A 03/2024

NOTES: (continued)

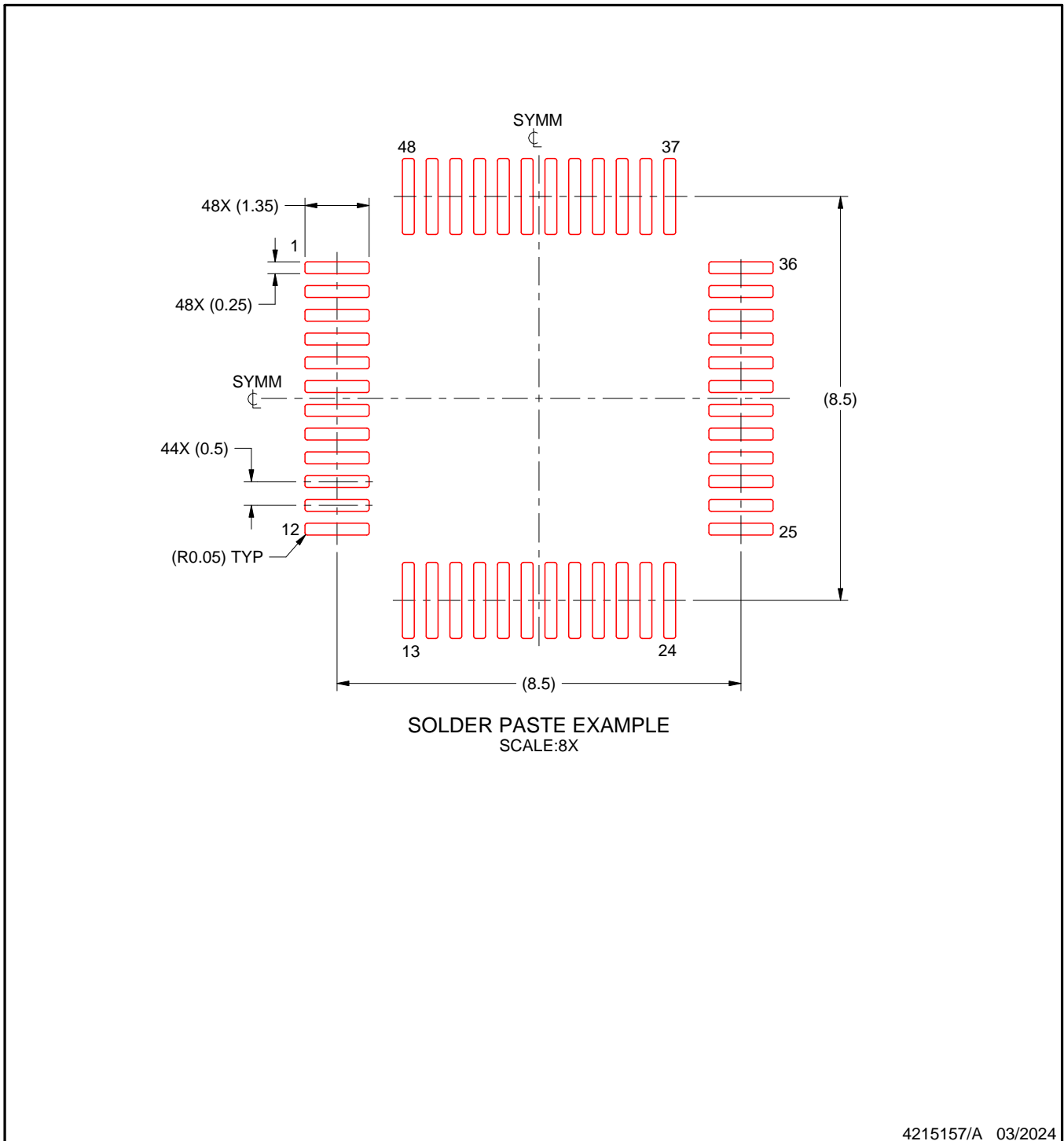
4. Publication IPC-7351 may have alternate designs.
5. Solder mask tolerances between and around signal pads can vary based on board fabrication site.

EXAMPLE STENCIL DESIGN

PFB0048A

TQFP - 1.2 mm max height

PLASTIC QUAD FLATPACK



NOTES: (continued)

6. Laser cutting apertures with trapezoidal walls and rounded corners may offer better paste release. IPC-7525 may have alternate design recommendations.
7. Board assembly site may have different recommendations for stencil design.

IMPORTANT NOTICE AND DISCLAIMER

TI PROVIDES TECHNICAL AND RELIABILITY DATA (INCLUDING DATA SHEETS), DESIGN RESOURCES (INCLUDING REFERENCE DESIGNS), APPLICATION OR OTHER DESIGN ADVICE, WEB TOOLS, SAFETY INFORMATION, AND OTHER RESOURCES "AS IS" AND WITH ALL FAULTS, AND DISCLAIMS ALL WARRANTIES, EXPRESS AND IMPLIED, INCLUDING WITHOUT LIMITATION ANY IMPLIED WARRANTIES OF MERCHANTABILITY, FITNESS FOR A PARTICULAR PURPOSE OR NON-INFRINGEMENT OF THIRD PARTY INTELLECTUAL PROPERTY RIGHTS.

These resources are intended for skilled developers designing with TI products. You are solely responsible for (1) selecting the appropriate TI products for your application, (2) designing, validating and testing your application, and (3) ensuring your application meets applicable standards, and any other safety, security, regulatory or other requirements.

These resources are subject to change without notice. TI grants you permission to use these resources only for development of an application that uses the TI products described in the resource. Other reproduction and display of these resources is prohibited. No license is granted to any other TI intellectual property right or to any third party intellectual property right. TI disclaims responsibility for, and you will fully indemnify TI and its representatives against, any claims, damages, costs, losses, and liabilities arising out of your use of these resources.

TI's products are provided subject to [TI's Terms of Sale](#) or other applicable terms available either on [ti.com](https://www.ti.com) or provided in conjunction with such TI products. TI's provision of these resources does not expand or otherwise alter TI's applicable warranties or warranty disclaimers for TI products.

TI objects to and rejects any additional or different terms you may have proposed.

Mailing Address: Texas Instruments, Post Office Box 655303, Dallas, Texas 75265
Copyright © 2024, Texas Instruments Incorporated