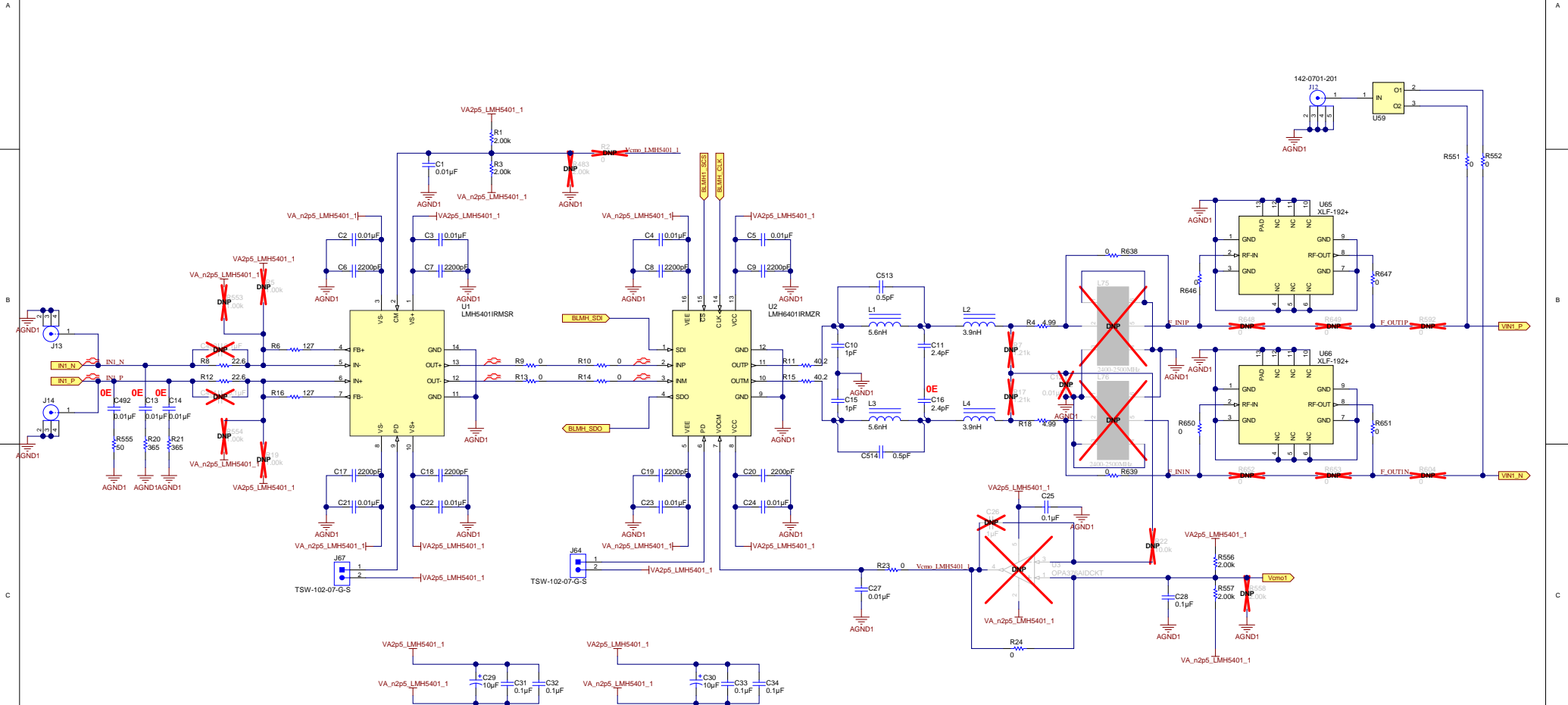


Build on TIDA-01022-E3 PCB and power solution used from TIDA-01027

| | | |
|-----------------------------------|--|---------------------|
| Orderable: NA | Designed for: Public Release | Mod. Date: 3/5/2019 |
| TID #: 01028 | Project Title: TIDA-01028 | |
| Number: TIDA-01028 Rev: E3 | Sheet Title: Block Diagram | |
| SVN Rev: Version control disabled | Assembly Variant: TIDA-01022A_Onboard_Pow | Sheet: 1 of 26 |
| Drawn By: Avinash N | File: TIDA-01022-E3_CoverSheet_SchDoc | Size: B |
| Engineer: Anbu Mani | Contact: http://www.ti.com/support | |

ANALOG INPUT CH-1



Note:
1) Replace capacitor (C492, C13, C14) with 0E resistor for DC coupling 50 E impedance

Build on TIDA-01022-E3 PCB and power solution used from TIDA-01027

| | | |
|-----------------------------------|--|---------------------------------|
| Orderable: NA | Designed for: Public Release | Mod. Date: 2/16/2018 |
| TID # 01028 | Project Title: TIDA-01028 | |
| Number: TIDA-01028 | Rev: E3 | Sheet Title: ADC ANALOG INP CH1 |
| SVN Rev: Version control disabled | Assembly Variant: TIDA-01022A Onboard Poly | Sheet: 2 of 28 |
| Drawn By: Avinash N | File: TIDA-01022-E3 ADC ANALOG INP CH1 Sch.Dwg | Size: B |
| Engineer: Arbu Mani | Contact: http://www.ti.com/support | |

Texas Instruments and/or its licensors do not warrant the accuracy or completeness of this specification or any information contained therein. Texas Instruments and/or its licensors do not warrant that this design will meet the specifications, will be suitable for your application or fit for any particular purpose, or will operate in an implementation. Texas Instruments and/or its licensors do not warrant that the design is production worthy. You should completely validate and test your design implementation to confirm the system functionality for your application.



© Texas Instruments 2011

1 2 3 4 5 6

A

A

B

B

C

C

D

D

Texas Instruments and/or its licensors do not warrant the accuracy or completeness of this specification or any information contained therein. Texas Instruments and/or its licensors do not warrant that this design will meet the specifications, will be suitable for your application or fit for any particular purpose, or will operate in an implementation. Texas Instruments and/or its licensors do not warrant that the design is production worthy. You should completely validate and test your design implementation to confirm the system functionality for your application.

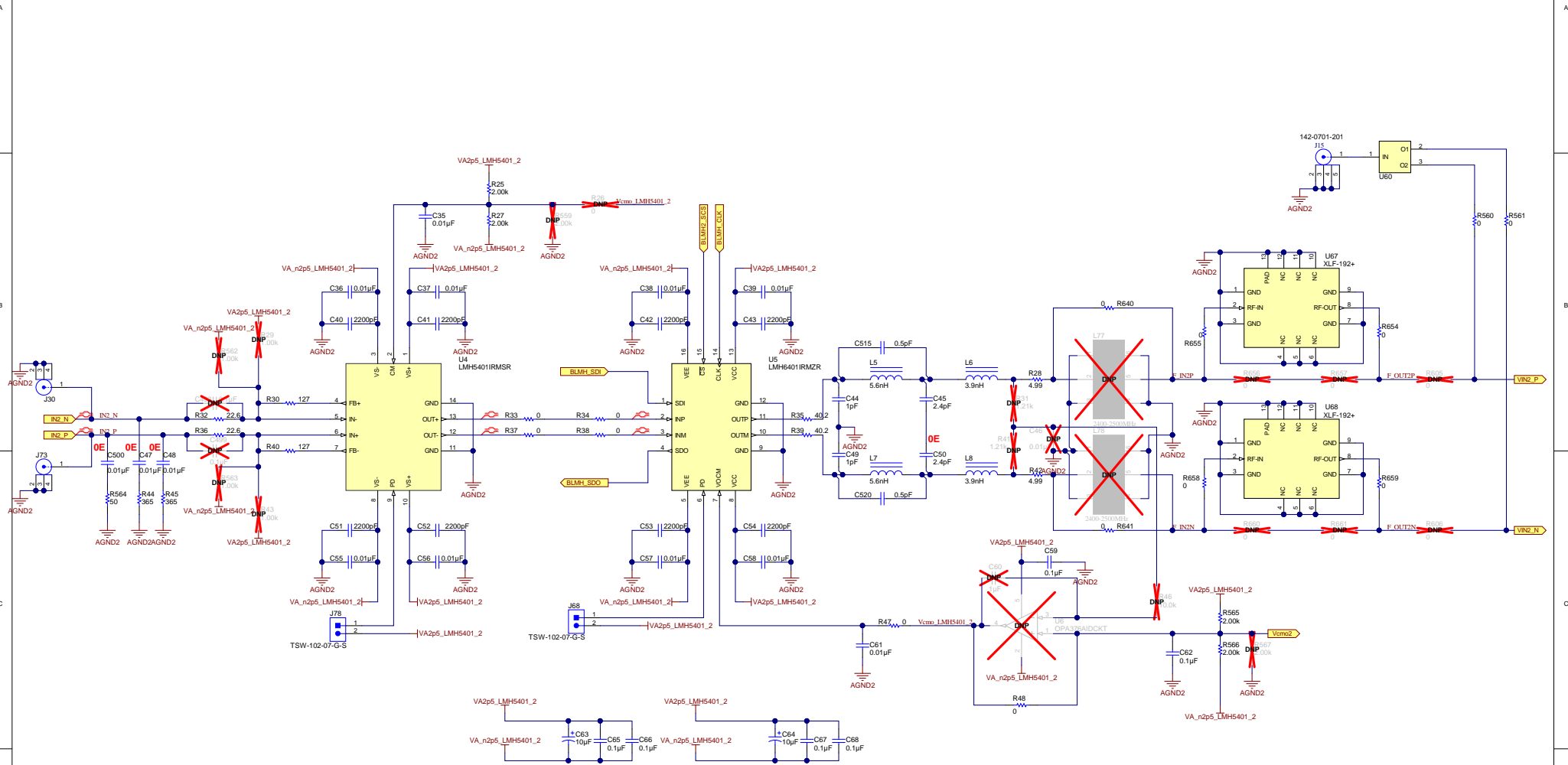
| | | |
|-----------------------------------|--|---------------------|
| Orderable: NA | Designed for: Public Release | Mod. Date: 5/8/2018 |
| TID #: 01028 | Project Title: TIDA-01028 | |
| Number: TIDA-01028 Rev: E3 | Sheet Title: | |
| SVN Rev: Version control disabled | Assembly Variant: TIDA-01022A_Onboard_Pow | Sheet: 2 of 3 |
| Drawn By: | File: Sheet1.SchDoc | Size: B |
| Engineer: Anbu Mani | Contact: http://www.ti.com/support | |



<http://www.ti.com>
©Texas Instruments 2017

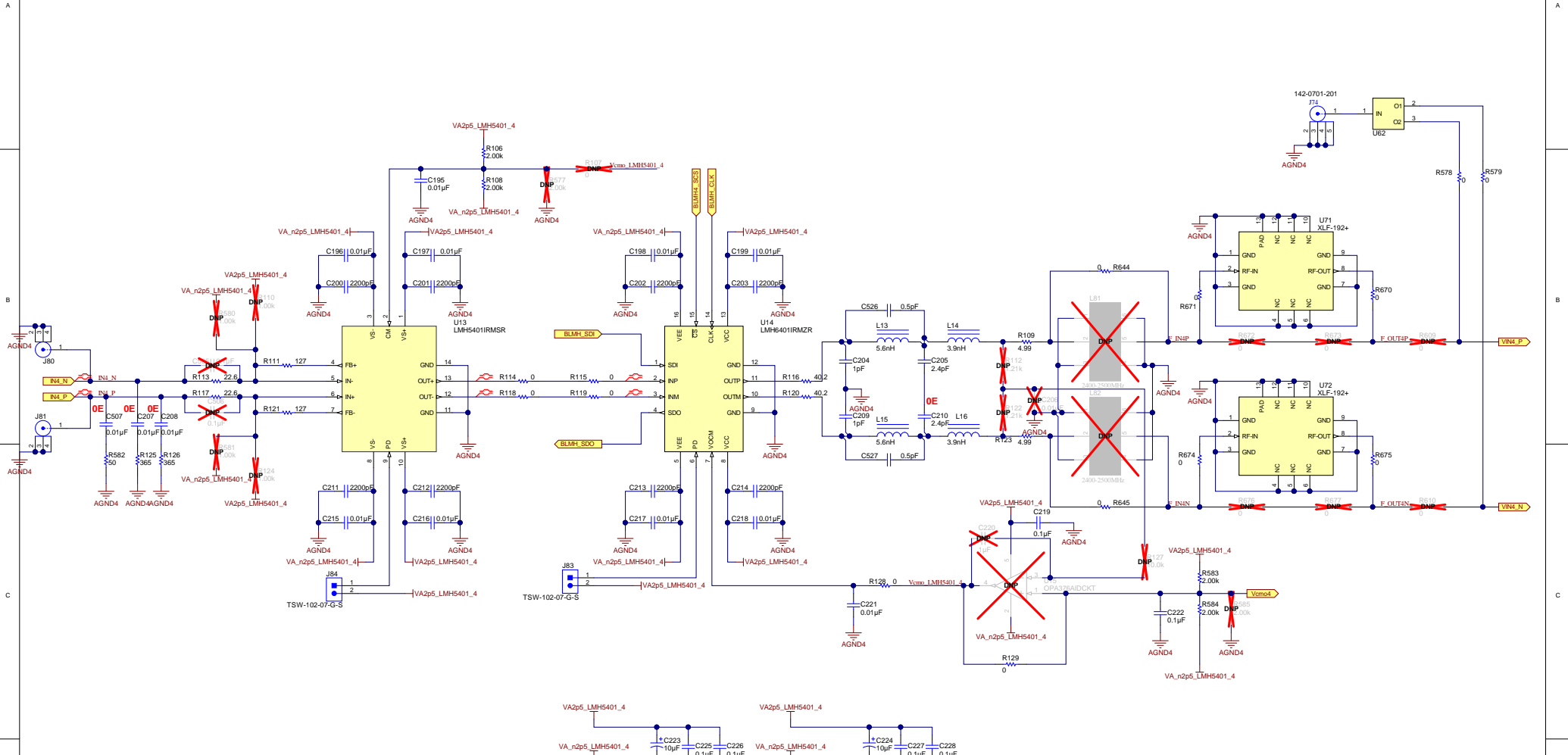
1 2 3 4 5 6

ANALOG INPUT CH-2



Note:
 1) Replace capacitor (C500, C47, C48) with OE resistor for DC coupling 50 E impedance

ANALOG INPUT CH-4



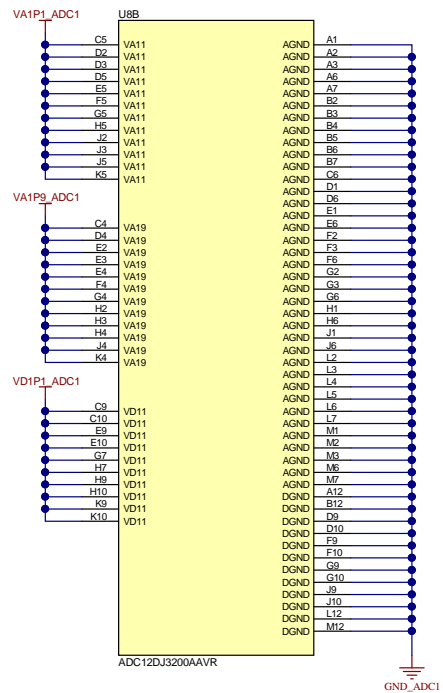
Note:
1) Replace capacitor (C507, C207, C208) with 0E resistor for DC coupling 50 E impedance

Build on TIDA-01022-E3 PCB and power solution used from TIDA-01027

| | | |
|-----------------------------------|--|------------------------------|
| Orderable: NA | Designed for: Public Release | Mod. Date: 2/16/2018 |
| TID # 01028 | Project Title: TIDA-01028 | |
| Number: TIDA-01028 | Rev: E3 | Sheet File: ADC-TID01028-CH4 |
| SVN Rev: Version control disabled | Assembly Variant: TIDA-01022A Onboard Poly | Sheet: 5 of 20 |
| Drawn By: Avinash N | File: TIDA-01022-E3 ADC ANALOG INP CH4 Sch.Dwg | Size: B |
| Engineer: Arbu Mani | Coment: http://www.ti.com/support | |

Texas Instruments and/or its licensors do not warrant the accuracy or completeness of this specification or any information contained therein. Texas Instruments and/or its licensors do not warrant that this design will meet the specifications, will be suitable for your application or fit for any particular purpose, or will operate in an implementation. Texas Instruments and/or its licensors do not warrant that the design is production worthy. You should completely validate and test your design implementation to confirm the system functionality for your application.

ADC-1



Build on TIDA-01022-E3 PCB and power solution used from TIDA-01027

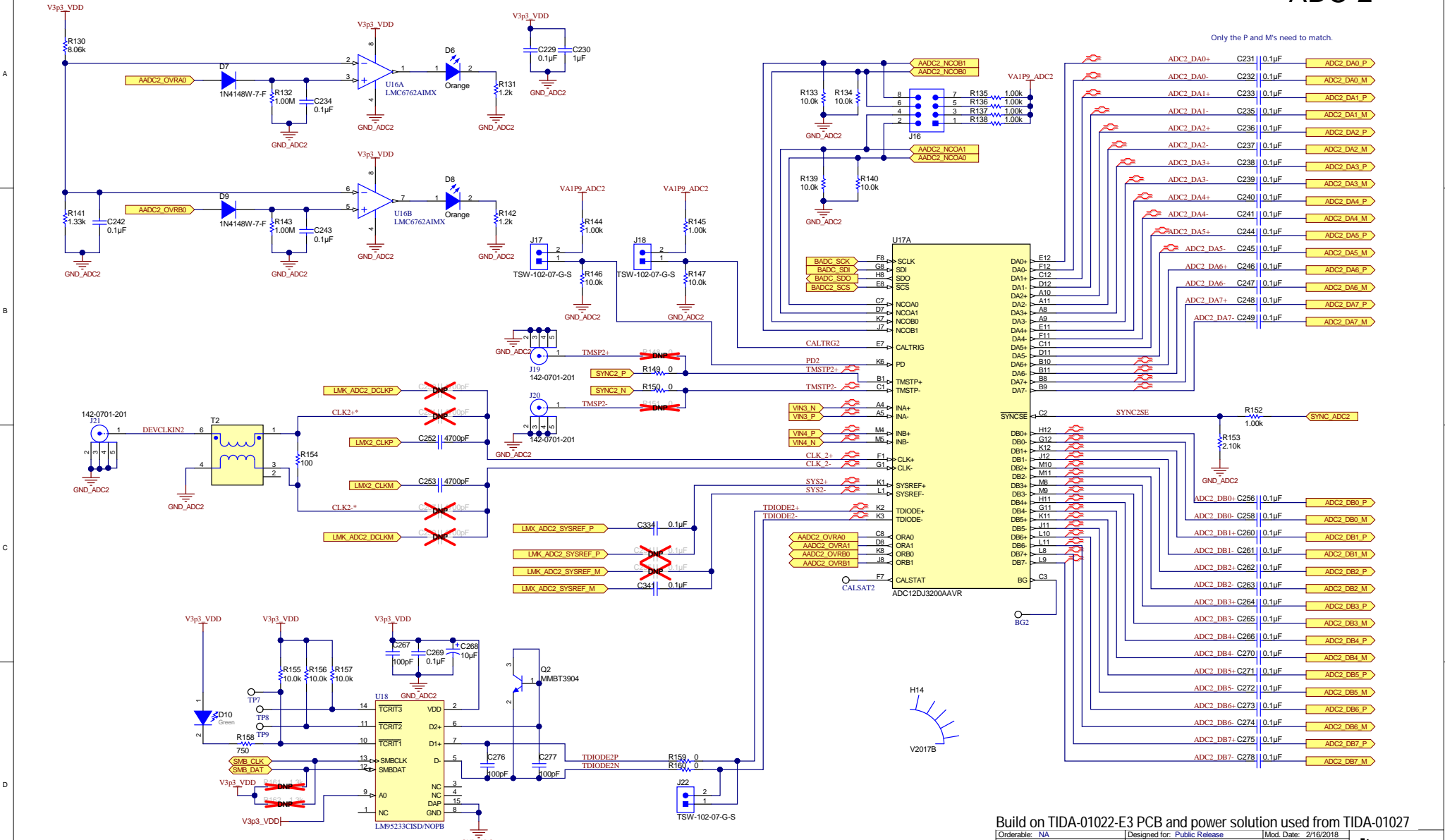
| | | |
|-----------------------------------|--|---------------------|
| Orderable: NA | Designed for: Public Release | Mod. Date: 3/5/2019 |
| TID #: 01028 | Project Title: TIDA-01028 | |
| Number: TIDA-01028 Rev: E3 | Sheet Title: ADC12DJxx00_1PWR | |
| SVN Rev: Version control disabled | Assembly Variant: TIDA-01022A_Onboard Power | Sheet: 7 of 26 |
| Drawn By: Avhash N | File: TIDA-01022-E3_ADC12DJxx00_1PWR_SchDoc | Size: B |
| Engineer: Anbu Mani | Contact: http://www.ti.com/support | |



Texas Instruments and/or its licensors do not warrant the accuracy or completeness of this specification or any information contained therein. Texas Instruments and/or its licensors do not warrant that this design will meet the specifications, will be suitable for your application or fit for any particular purpose, or will operate in an implementation. Texas Instruments and/or its licensors do not warrant that the design is production worthy. You should completely validate and test your design implementation to confirm the system functionality for your application.

ADC-2

Only the P and M's need to match.



Texas Instruments and/or its licensors do not warrant the accuracy or completeness of this specification or any information contained therein. Texas Instruments and/or its licensors do not warrant that this design will meet the specifications, will be suitable for your application or fit for any particular purpose, or will operate in an implementation. Texas Instruments and/or its licensors do not warrant that the design is production worthy. You should completely validate and test your design implementation to confirm the system functionality for your application.

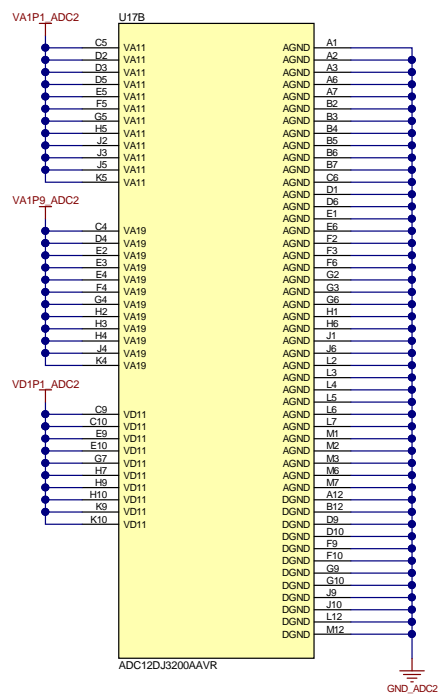
Build on TIDA-01022-E3 PCB and power solution used from TIDA-01027

| | | |
|-----------------------------------|--|----------------------|
| Orderable: NA | Designed for: Public Release | Mod. Date: 2/16/2018 |
| TID #: | Project Title: TIDA-01028 | |
| Number: TIDA-01028 Rev. E3 | Sheet Title: ADC12D_Ju00_2 | |
| SVN Rev. Version control disabled | Assembly Variant: TIDA-01022A_Onboard_Pow | Sheet: 8 of 26 |
| Drawn By: Avinash N | File: TIDA-01022-E3_ADC12D_Ju00_2_SchDoc | Size: B |
| Engineer: Anbu Mani | Contact: http://www.ti.com/support | |



© Texas Instruments 2017

ADC-2



Texas Instruments and/or its licensors do not warrant the accuracy or completeness of this specification or any information contained therein. Texas Instruments and/or its licensors do not warrant that this design will meet the specifications, will be suitable for your application or fit for any particular purpose, or will operate in an implementation. Texas Instruments and/or its licensors do not warrant that the design is production worthy. You should completely validate and test your design implementation to confirm the system functionality for your application.

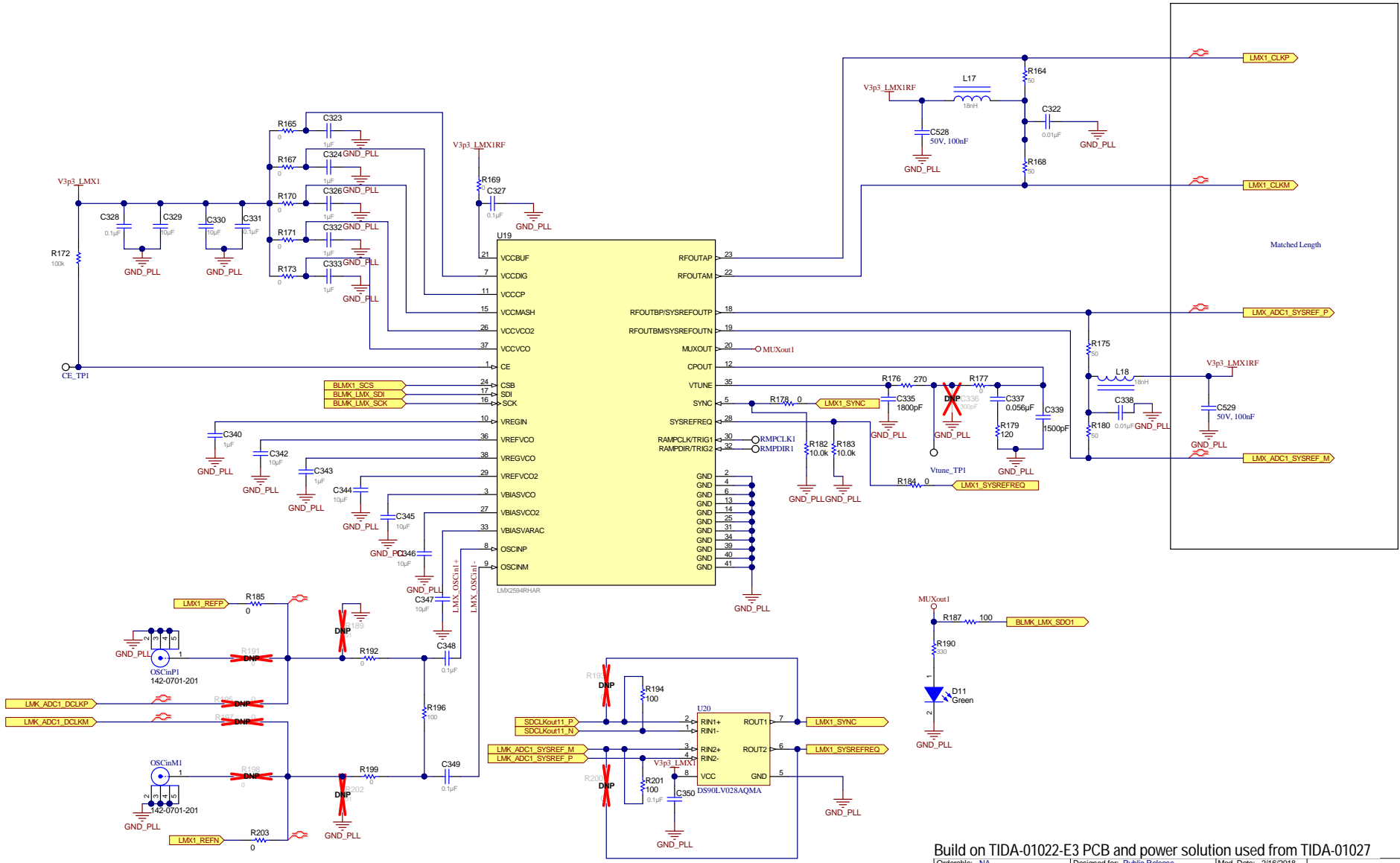
Build on TIDA-01022-E3 PCB and power solution used from TIDA-01027

| | | |
|-----------------------------------|--|---------------------|
| Orderable: NA | Designed for: Public Release | Mod. Date: 1/6/2018 |
| TID #: 01028 | Project Title: TIDA-01028 | |
| Number: TIDA-01028 Rev: E3 | Sheet Title: ADC12D.Jxx00_1PWR | |
| SVN Rev: Version control disabled | Assembly Variant: TIDA-01022A_Onboard_Pow | Sheet: 9 of 26 |
| Drawn By: Avinash N | File: TIDA-01022-E3_ADC12D.Jxx00_2PWR_SchDoc | Size: B |
| Engineer: Anbu Mani | Contact: http://www.ti.com/support | |



©Texas Instruments 2017

LMX2594 -1



Build on TIDA-01022-E3 PCB and power solution used from TIDA-01027

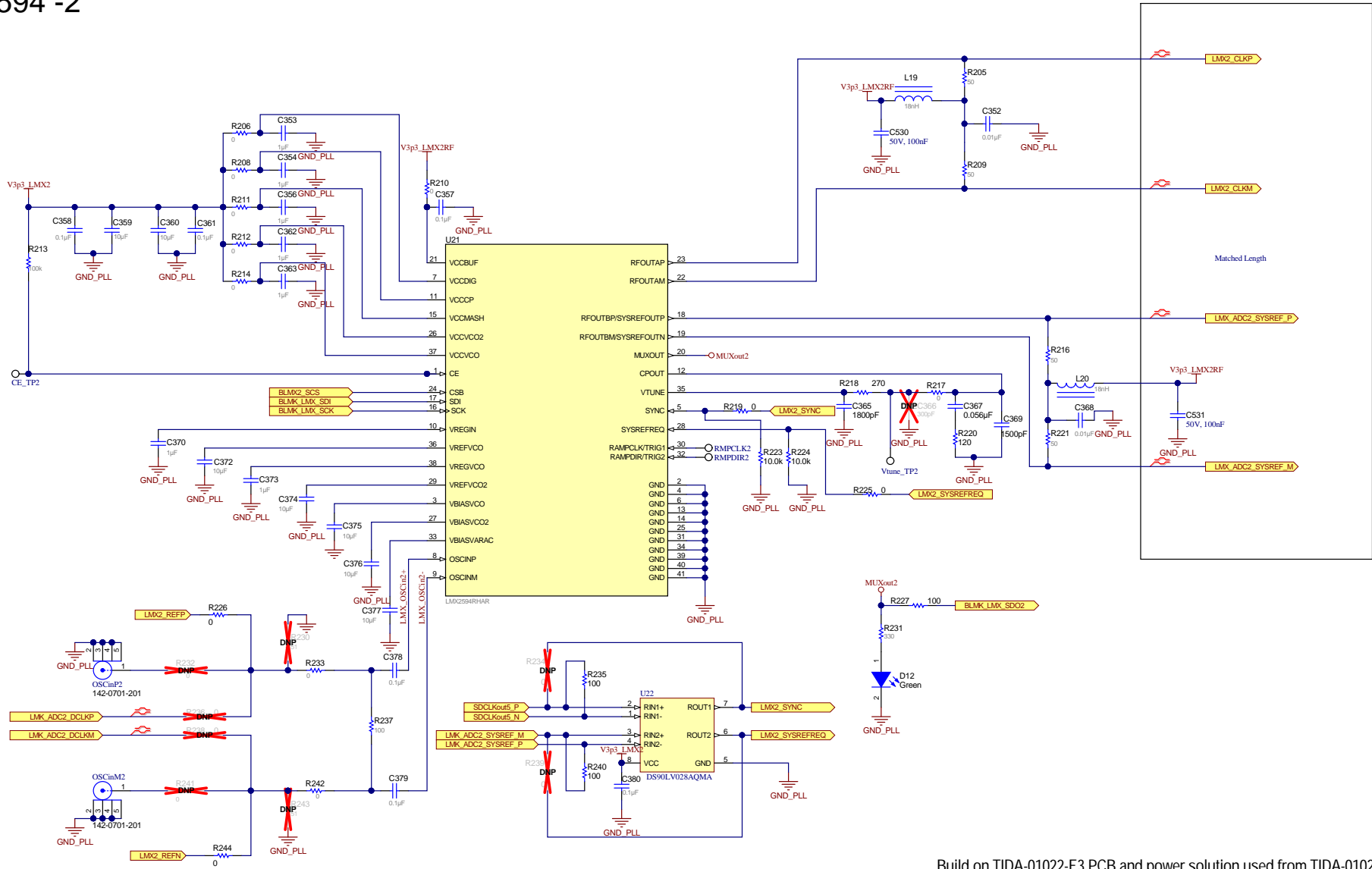
| | | |
|-----------------------------------|--|----------------------|
| Orderable: NA | Designed for: Public Release | Mod. Date: 2/16/2018 |
| TID #: 01028 | Project Title: TIDA-01028 | |
| Number: TIDA-01028 Rev: E3 | Sheet Title: LMX2594R | |
| SVN Rev: Version control disabled | Assembly Variant: TIDA-01022A_Onboard Power | Sheet: 10 of 26 |
| Drawn By: Avinash N | File: TIDA-01022-E3_LMX2594R_1.SchDoc | Size: B |
| Engineer: Anbu Mani | Contact: http://www.ti.com/support | |

Texas Instruments and/or its licensors do not warrant the accuracy or completeness of this specification or any information contained therein. Texas Instruments and/or its licensors do not warrant that this design will meet the specifications, will be suitable for your application or fit for any particular purpose, or will operate in an implementation. Texas Instruments and/or its licensors do not warrant that the design is production worthy. You should completely validate and test your design implementation to confirm the system functionality for your application.



© Texas Instruments 2017

LMX2594 -2



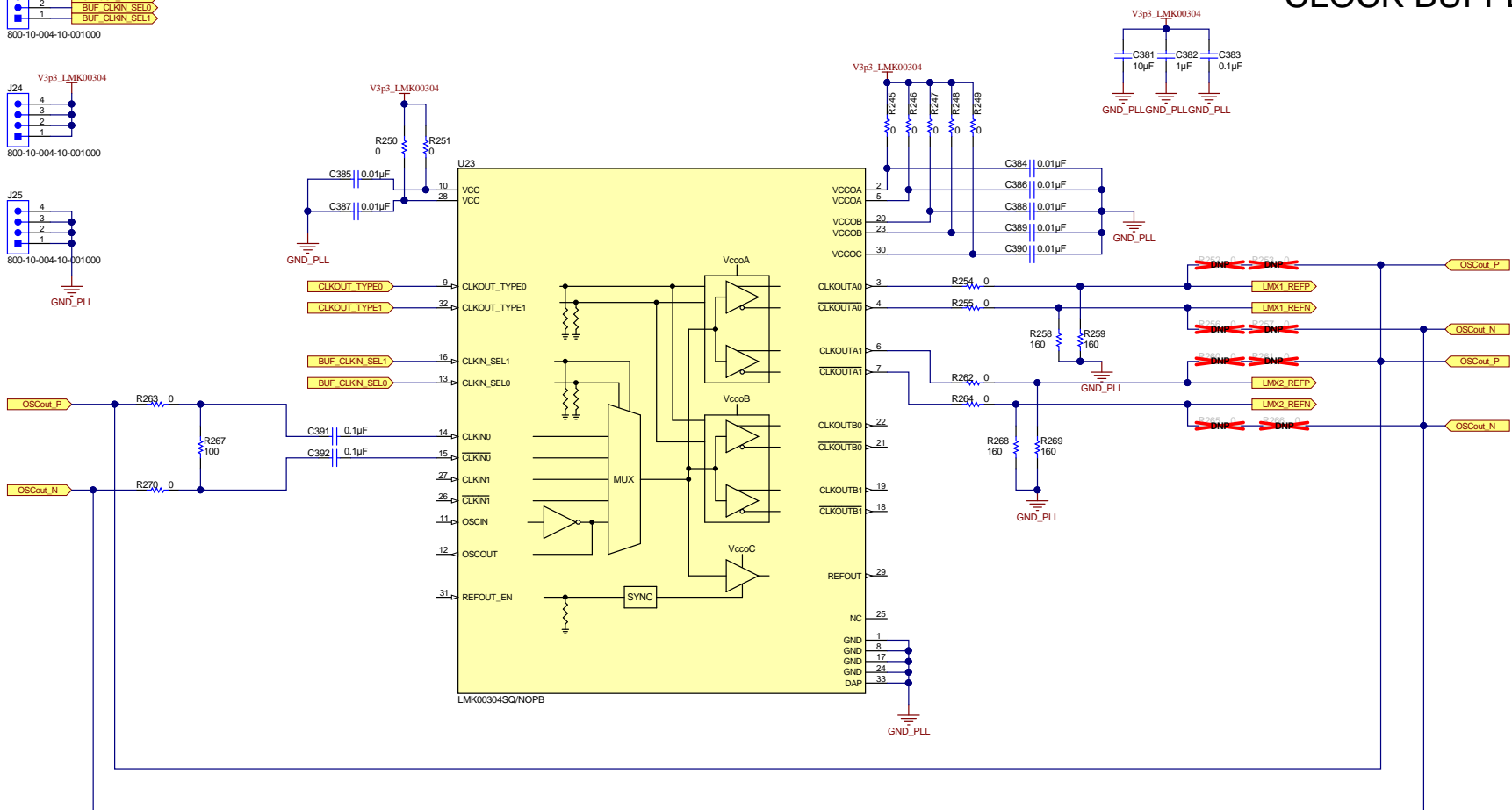
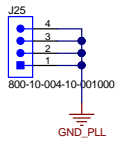
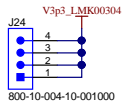
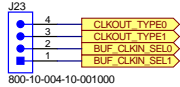
Build on TIDA-01022-E3 PCB and power solution used from TIDA-01027

| | | |
|-----------------------------------|--|----------------------|
| Orderable: NA | Designed for: Public Release | Mod. Date: 2/16/2018 |
| TID #: 01028 | Project Title: TIDA-01028 | |
| Number: TIDA-01028 Rev: E3 | Sheet Title: LMX2594R | |
| SVN Rev: Version control disabled | Assembly Variant: TIDA-01022A_Onboard_Pow | Sheet: 11 of 26 |
| Drawn By: Avinash N | File: TIDA-01022-E3_LMX2594R_2_SchDoc | Size: B |
| Engineer: Anbu Mani | Contact: http://www.ti.com/support | |



Texas Instruments and/or its licensors do not warrant the accuracy or completeness of this specification or any information contained therein. Texas Instruments and/or its licensors do not warrant that this design will meet the specifications, will be suitable for your application or fit for any particular purpose, or will operate in an implementation. Texas Instruments and/or its licensors do not warrant that the design is production worthy. You should completely validate and test your design implementation to confirm the system functionality for your application.

CLOCK BUFFER/MUX



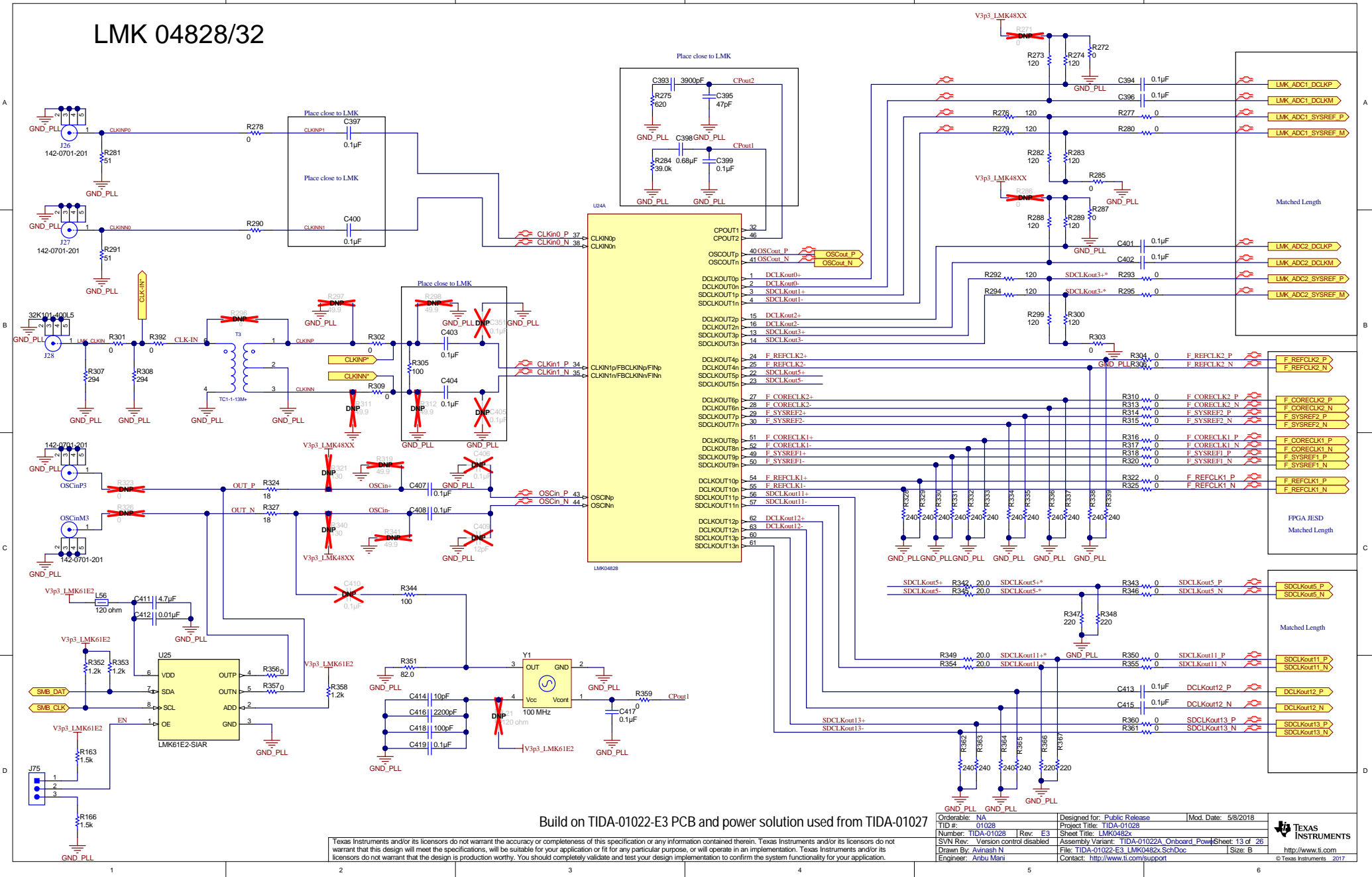
Build on TIDA-01022-E3 PCB and power solution used from TIDA-01027

| | | |
|-----------------------------------|--|----------------------|
| Orderable: NA | Designed for: Public Release | Mod. Date: 2/15/2018 |
| TID #: 01028 | Project Title: TIDA-01028 | |
| Number: TIDA-01028 Rev: E3 | Sheet Title: LMK00304_Buffer | |
| SVN Rev: Version control disabled | Assembly Variant: TIDA-01022A_Onboard_Pow | Sheet: 12 of 26 |
| Drawn By: Avinash N | File: TIDA-01022-E3_LMK00304_Buffer_SchDoc | Size: B |
| Engineer: Anbu Mani | Contact: http://www.ti.com/support | |



Texas Instruments and/or its licensors do not warrant the accuracy or completeness of this specification or any information contained therein. Texas Instruments and/or its licensors do not warrant that this design will meet the specifications, will be suitable for your application or fit for any particular purpose, or will operate in an implementation. Texas Instruments and/or its licensors do not warrant that the design is production worthy. You should completely validate and test your design implementation to confirm the system functionality for your application.

LMK 04828/32



Build on TIDA-01022-E3 PCB and power solution used from TIDA-01027

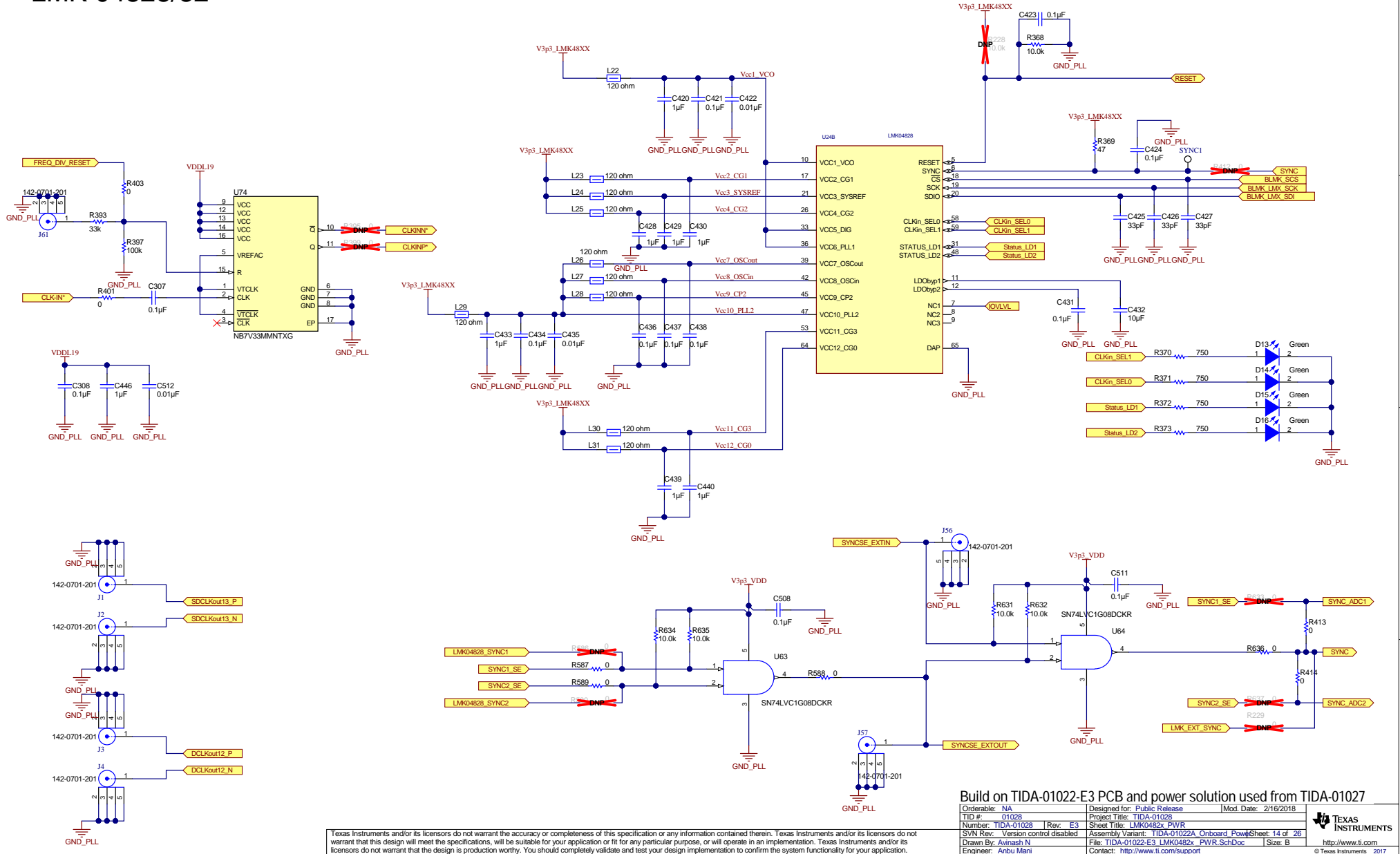
Texas Instruments and/or its licensors do not warrant the accuracy or completeness of this specification or any information contained therein. Texas Instruments and/or its licensors do not warrant that this design will meet the specifications, will be suitable for your application or fit for any particular purpose, or will operate in an implementation. Texas Instruments and/or its licensors do not warrant that the design is production worthy. You should completely validate and test your design implementation to confirm the system functionality for your application.

| | | |
|-----------------------------------|--|---------------------|
| Orderable: NA | Designed for: Public Release | Mod. Date: 5/8/2018 |
| TID #: 01028 | Project Title: TIDA-01028 | |
| Number: TIDA-01028 Rev: E3 | Sheet Title: LMK04828 | |
| SVN Rev: Version control disabled | Assembly Variant: TIDA-01022A_Onboard_Pow | Sheet: 13 of 26 |
| Drawn By: Avinash N | File: TIDA-01022-E3_LMK04828_SchDoc | Size: B |
| Engineer: Anbu Mani | Contact: http://www.ti.com/support | |



© Texas Instruments 2017

LMK 04828/32



Texas Instruments and/or its licensors do not warrant the accuracy or completeness of this specification or any information contained therein. Texas Instruments and/or its licensors do not warrant that this design will meet the specifications, will be suitable for your application or fit for any particular purpose, or will operate in an implementation. Texas Instruments and/or its licensors do not warrant that the design is production worthy. You should completely validate and test your design implementation to confirm the system functionality for your application.

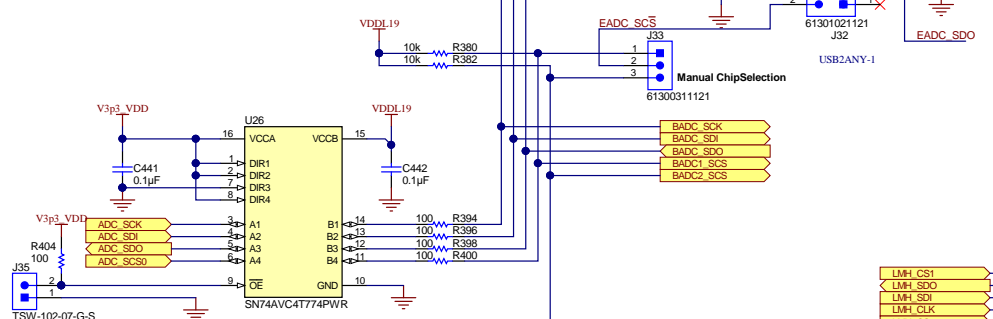
Build on TIDA-01022-E3 PCB and power solution used from TIDA-01027

| | | |
|-----------------------------------|--|----------------------|
| Orderable: NA | Designed for: Public Release | Mod. Date: 2/16/2018 |
| TID #: 01028 | Project Title: TIDA-01028 | |
| Number: TIDA-01028 Rev: E3 | Sheet Title: LMK0482x_PWR | |
| SVN Rev: Version control disabled | Assembly Variant: TIDA-01022A_Onboard_Pow | Sheet: 14 of 26 |
| Drawn By: Avinash N | File: TIDA-01022-E3_LMK0482x_PWR_SchDoc | Size: B |
| Engineer: Anbu Mani | Contact: http://www.ti.com/support | |

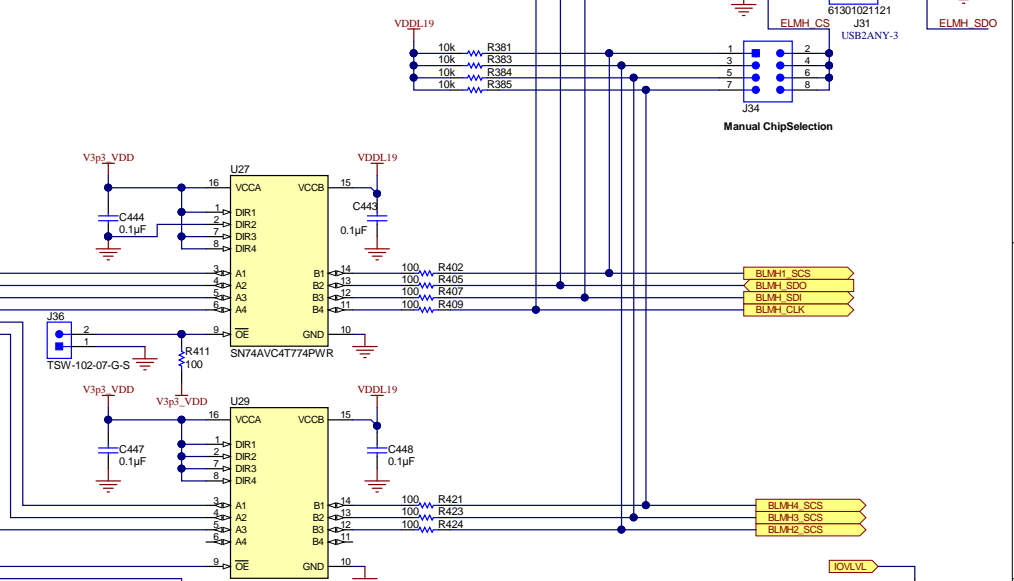


©Texas Instruments 2017

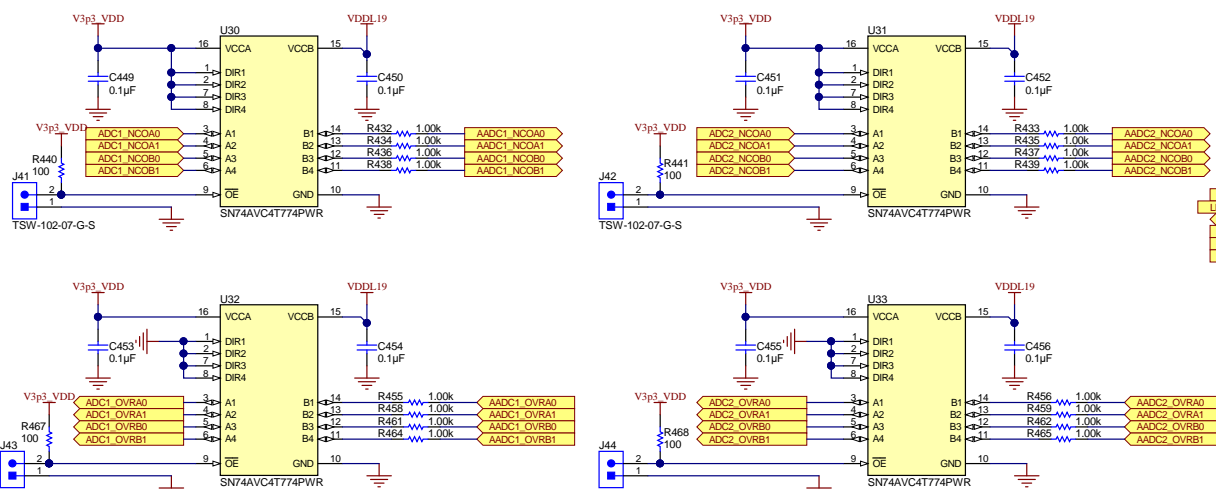
ADC Programming



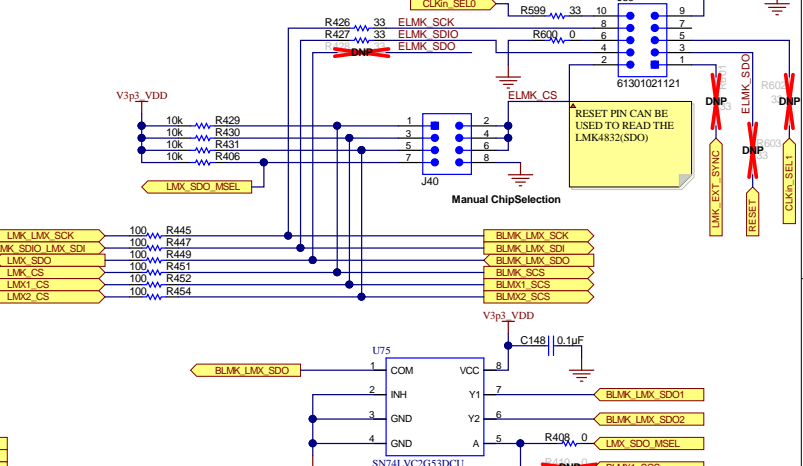
LMH6401 Programming



ADC1 & 2 OverRange & NCO Selection



LMK04828 & LMX2594 Programming

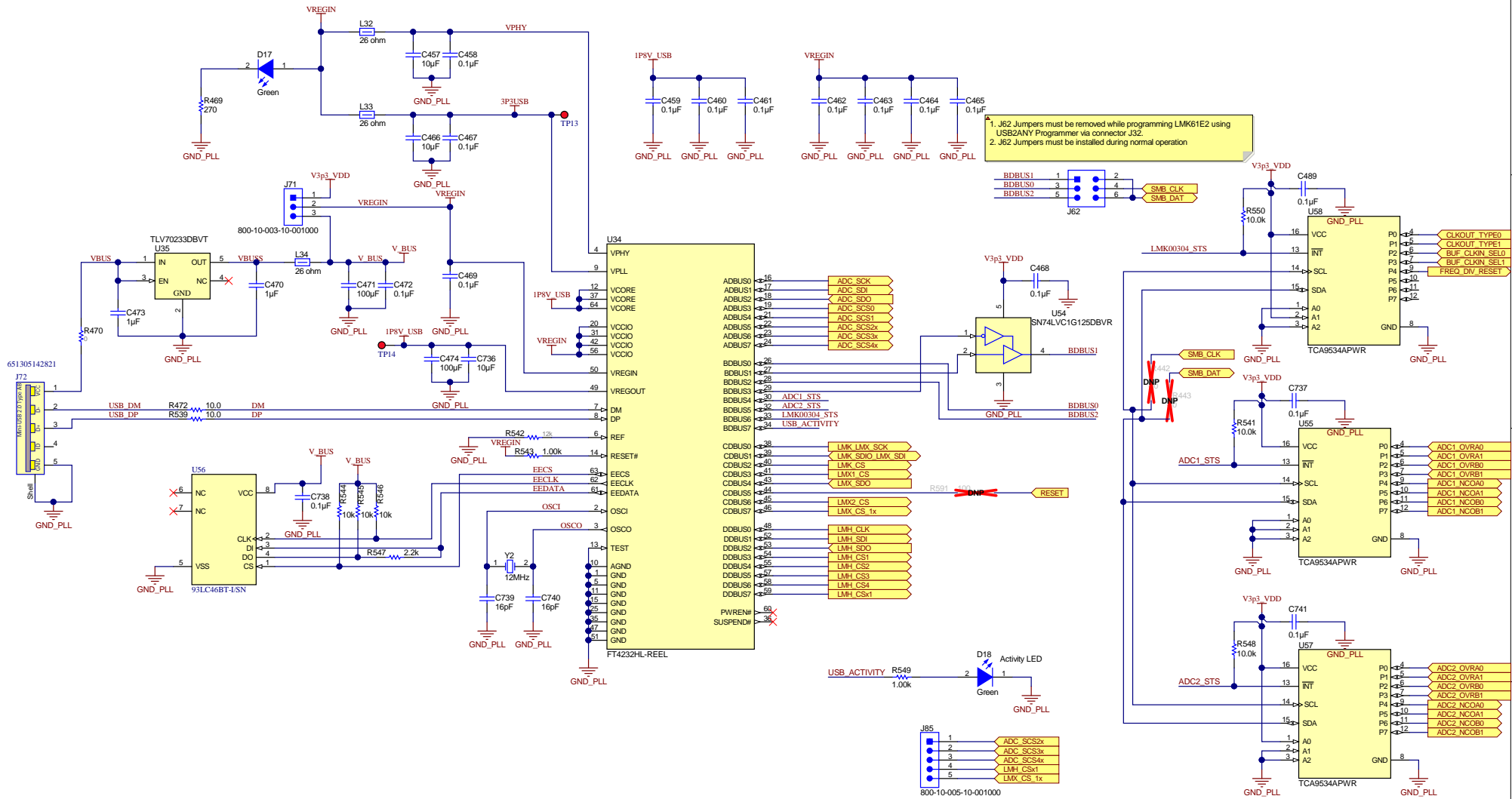


Build on TIDA-01022-E3 PCB and power solution used from TIDA-01027

| | | |
|-----------------------------------|---|-------------------------|
| Orderable: NA | Designed for: Public Release | Mod. Date: 2/16/2018 |
| TID #: 01028 | Project Title: TIDA-01028 | |
| Number: TIDA-01028 Rev: E3 | Sheet Title: Programming for ADC, LMK, LMX | |
| SVN Rev: Version control disabled | Assembly Variant: TIDA-01022A_Onboard Power | Sheet: 15 of 26 |
| Drawn By: Avinash N | File: TIDA-01022-E3_Programming for ADC LMK LMX Beh.Boc | http://www.ti.com |
| Engineer: Anbu Mani | Contact: http://www.ti.com/support | ©Texas Instruments 2017 |

Texas Instruments and/or its licensors do not warrant the accuracy or completeness of this specification or any information contained therein. Texas Instruments and/or its licensors do not warrant that this design will meet the specifications, will be suitable for your application or fit for any particular purpose, or will operate in an implementation. Texas Instruments and/or its licensors do not warrant that the design is production worthy. You should completely validate and test your design implementation to confirm the system functionality for your application.

USB to SPI Interface



1. J62 Jumpers must be removed while programming LMK61E2 using USB2ANY Programmer via connector J32.
2. J62 Jumpers must be installed during normal operation.

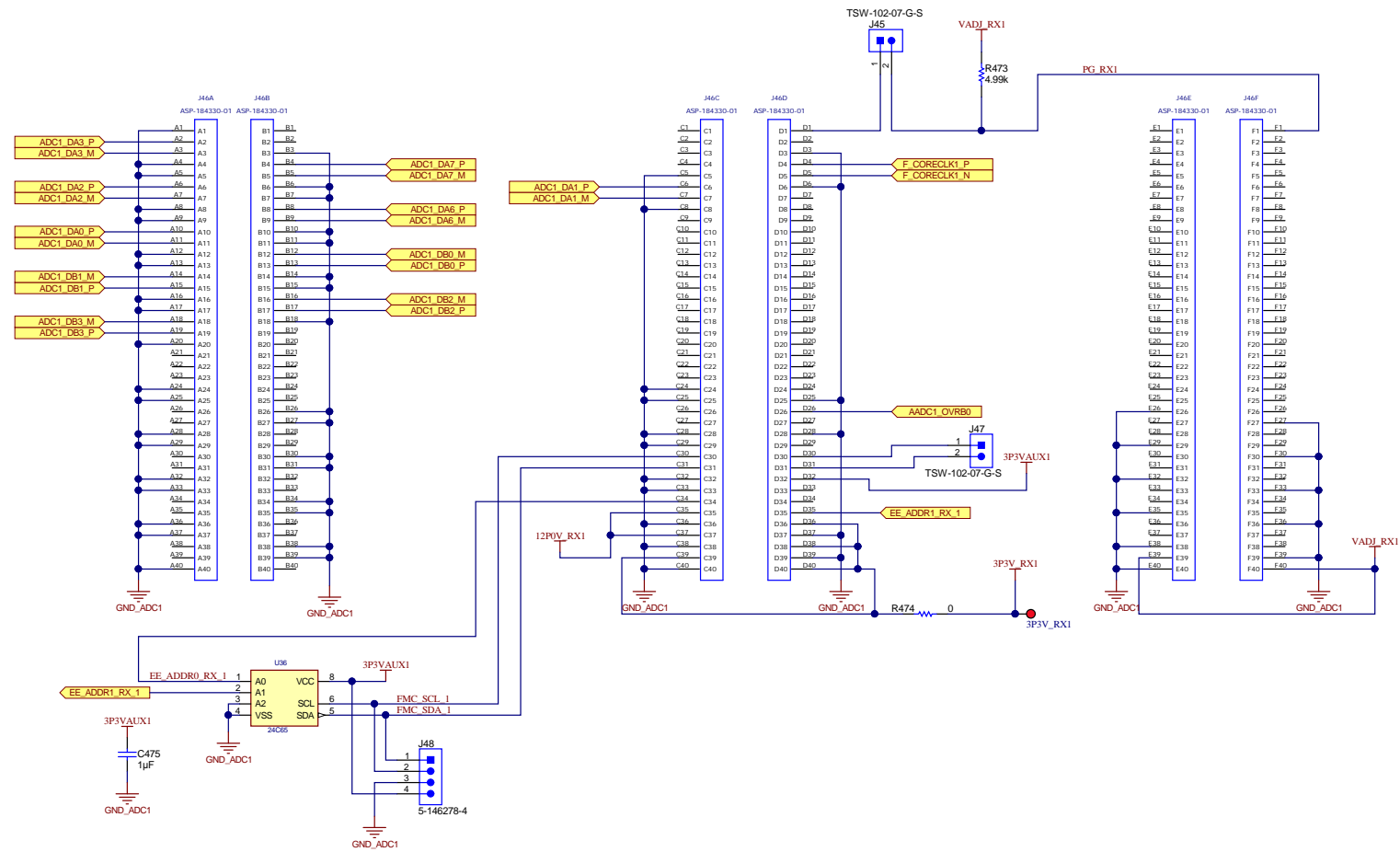
Build on TIDA-01022-E3 PCB and power solution used from TIDA-01027

| | | |
|-----------------------------------|--|---|
| Orderable: NA | Designed for: Public Release | Mod. Date: 2/16/2018 |
| TID #: 01028 | Project Title: TIDA-01028 | |
| Number: TIDA-01028 | Rev: E3 | Sheet Title: USB |
| SVN Rev: Version control disabled | Assembly Variant: TIDA-01022A_Onboard_Pow | Sheet: 16 of 26 |
| Drawn By: Avinash N | File: TIDA-01022-E3_USB_SchDoc | Size: B |
| Engineer: Anbu Mani | Contact: http://www.ti.com/support | http://www.ti.com |

Texas Instruments and/or its licensors do not warrant the accuracy or completeness of this specification or any information contained therein. Texas Instruments and/or its licensors do not warrant that this design will meet the specifications, will be suitable for your application or fit for any particular purpose, or will operate in an implementation. Texas Instruments and/or its licensors do not warrant that the design is production worthy. You should completely validate and test your design implementation to confirm the system functionality for your application.



ADC1 FMC+_1 Connector



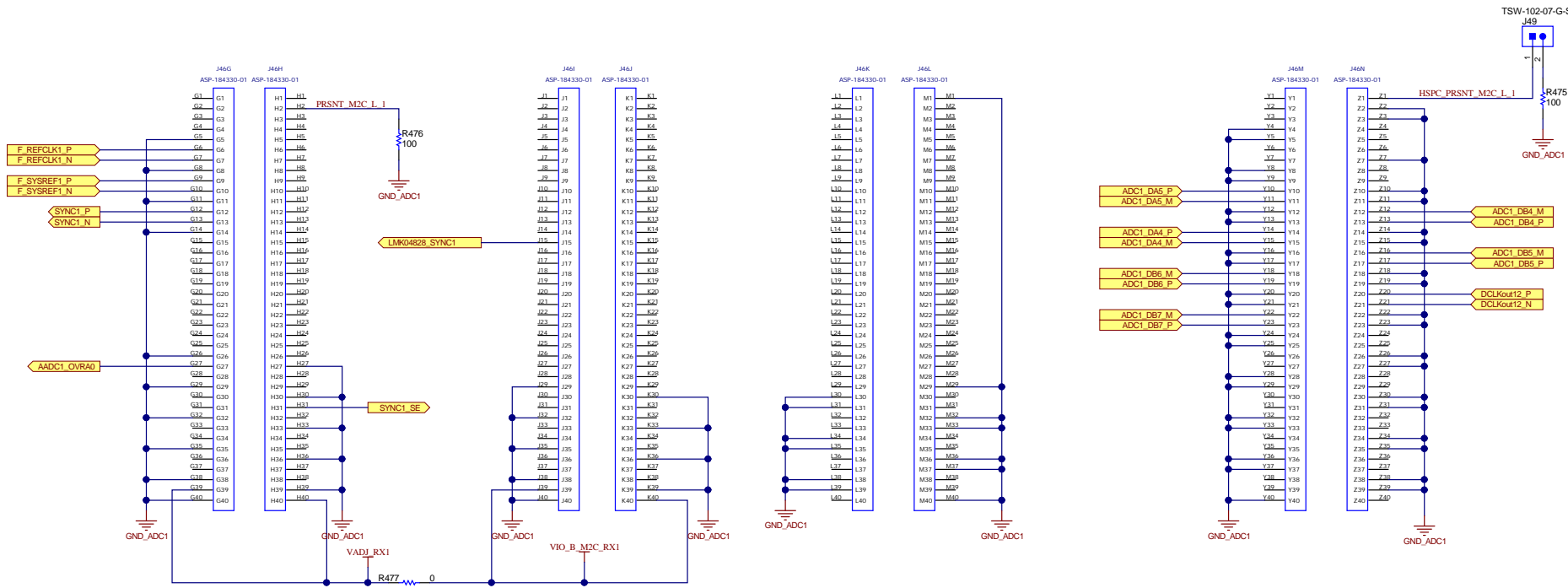
Build on TIDA-01022-E3 PCB and power solution used from TIDA-01027

| | | |
|-----------------------------------|--|----------------------|
| Orderable: NA | Designed for: Public Release | Mod. Date: 2/16/2018 |
| TID #: 01028 | Project Title: TIDA-01028 | |
| Number: TIDA-01028 Rev: E3 | Sheet Title: FMC+CONN1 | |
| SVN Rev: Version control disabled | Assembly Variant: TIDA-01022A_Onboard_Pow | Sheet: 17 of 26 |
| Drawn By: Avinash N | File: TIDA-01022-E3_FMC+CONN1_1.SchDoc | Size: B |
| Engineer: Anbu Mani | Contact: http://www.ti.com/support | |



Texas Instruments and/or its licensors do not warrant the accuracy or completeness of this specification or any information contained therein. Texas Instruments and/or its licensors do not warrant that this design will meet the specifications, will be suitable for your application or fit for any particular purpose, or will operate in an implementation. Texas Instruments and/or its licensors do not warrant that the design is production worthy. You should completely validate and test your design implementation to confirm the system functionality for your application.

ADC1 FMC+_1 Connector



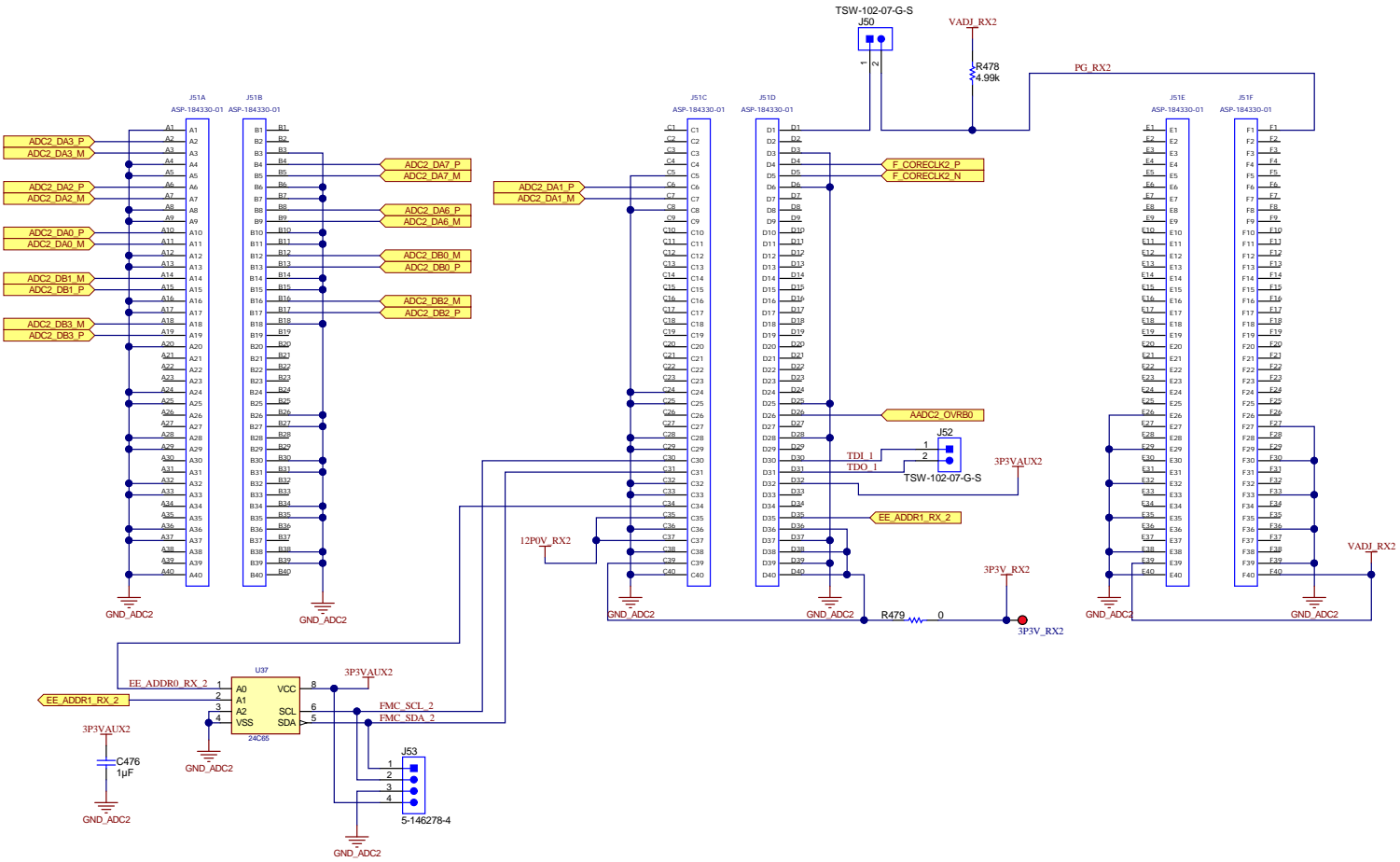
Build on TIDA-01022-E3 PCB and power solution used from TIDA-01027

| | | |
|-----------------------------------|--|----------------------|
| Orderable: NA | Designed for: Public Release | Mod. Date: 2/16/2018 |
| TID #: 01028 | Project Title: TIDA-01028 | |
| Number: TIDA-01028 Rev: E3 | Sheet Title: FMC+CONN1 | |
| SVN Rev: Version control disabled | Assembly Variant: TIDA-01022A_Onboard_Pow | Sheet: 18 of 26 |
| Drawn By: Avinash N | File: TIDA-01022-E3_FMC+CONN1_2.SchDoc | Size: B |
| Engineer: Anbu Mani | Contact: http://www.ti.com/support | |



Texas Instruments and/or its licensors do not warrant the accuracy or completeness of this specification or any information contained therein. Texas Instruments and/or its licensors do not warrant that this design will meet the specifications, will be suitable for your application or fit for any particular purpose, or will operate in an implementation. Texas Instruments and/or its licensors do not warrant that the design is production worthy. You should completely validate and test your design implementation to confirm the system functionality for your application.

ADC1 FMC+_2 Connector



Build on TIDA-01022-E3 PCB and power solution used from TIDA-01027

| | | |
|-----------------------------------|--|----------------------|
| Orderable: NA | Designed for: Public Release | Mod. Date: 2/16/2018 |
| TID #: 01028 | Project Title: TIDA-01028 | |
| Number: TIDA-01028 Rev: E3 | Sheet Title: FMC+CONN2 | |
| SVN Rev: Version control disabled | Assembly Variant: TIDA-01022A_Onboard_Pow | Sheet: 19 of 26 |
| Drawn By: Avinash N | File: TIDA-01022-E3_FMC+CONN2_1.SchDoc | Size: B |
| Engineer: Anbu Mani | Contact: http://www.ti.com/support | |



Texas Instruments and/or its licensors do not warrant the accuracy or completeness of this specification or any information contained therein. Texas Instruments and/or its licensors do not warrant that this design will meet the specifications, will be suitable for your application or fit for any particular purpose, or will operate in an implementation. Texas Instruments and/or its licensors do not warrant that the design is production worthy. You should completely validate and test your design implementation to confirm the system functionality for your application.

ADC1 FMC+_2 Connector

1 2 3 4 5 6

A

B

C

D

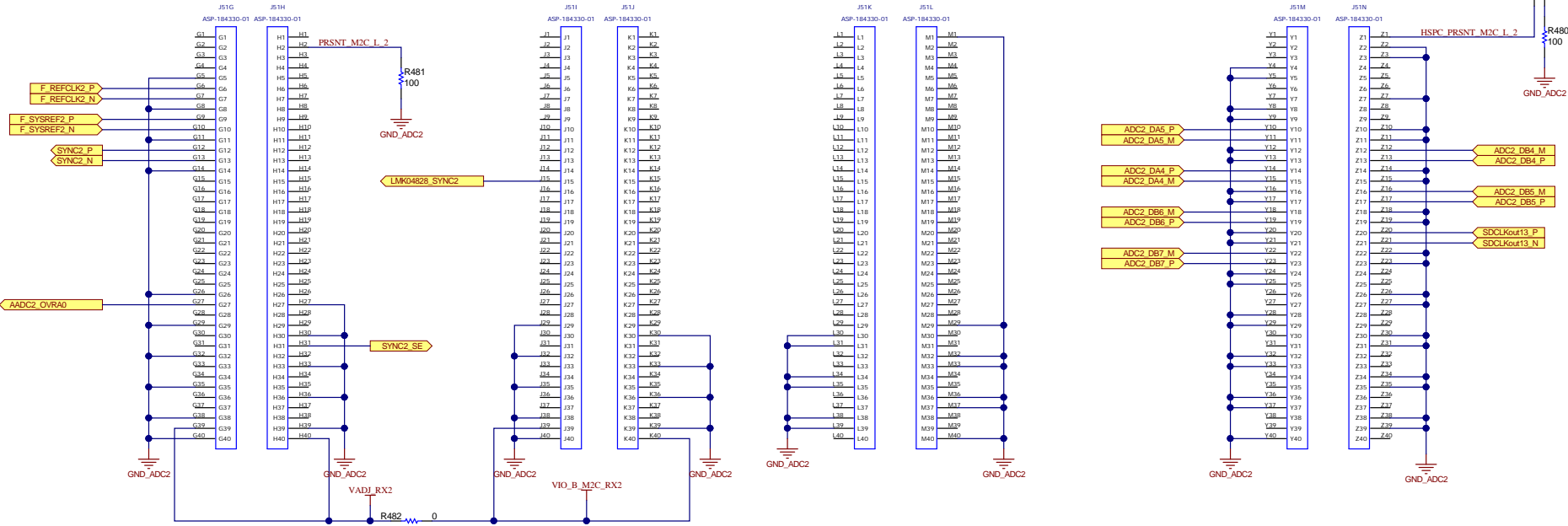
TSW-102-07-G-S

J54

R480

100

GND_ADC2



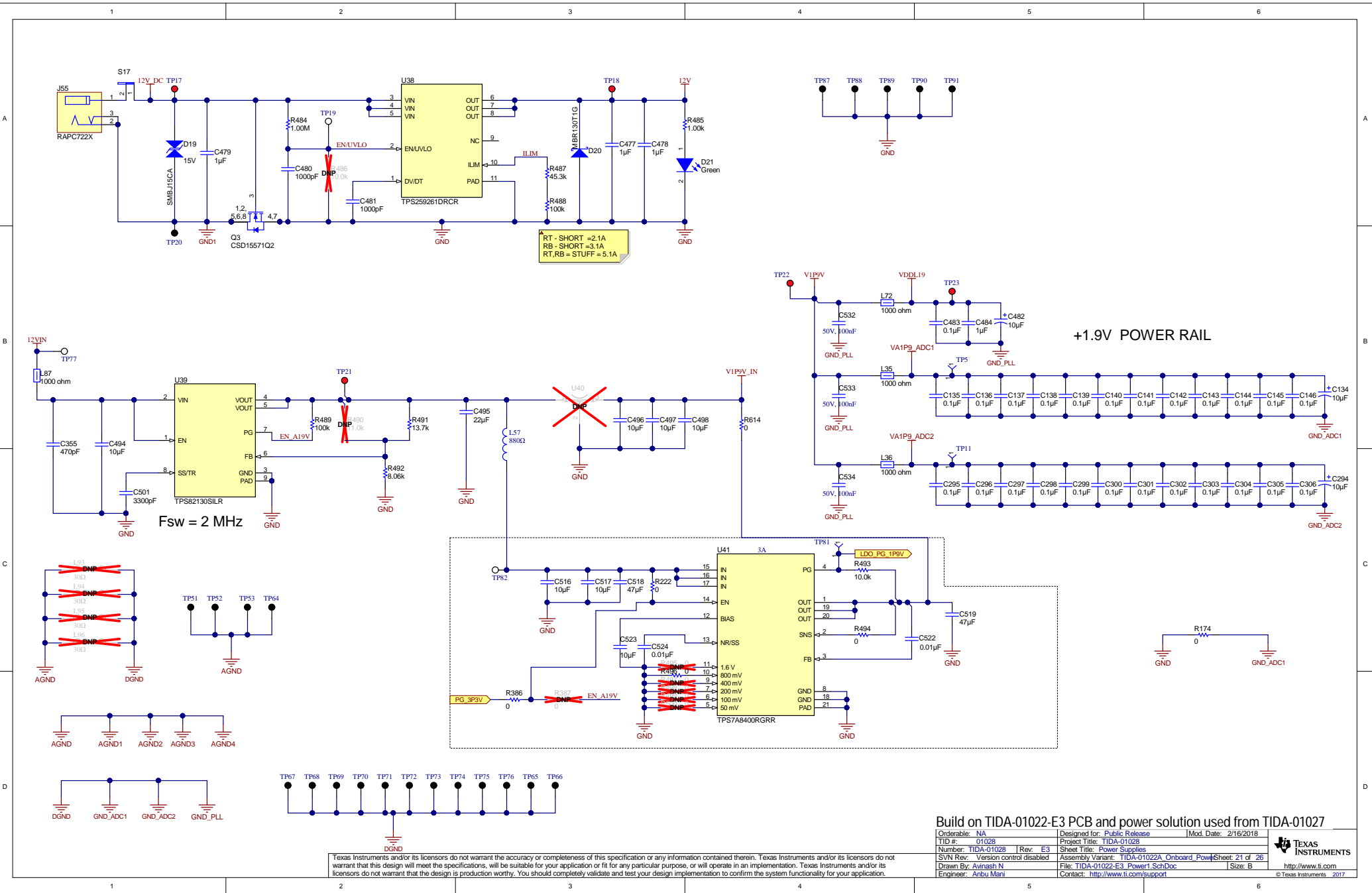
Build on TIDA-01022-E3 PCB and power solution used from TIDA-01027

| | | |
|-----------------------------------|--|----------------------|
| Orderable: NA | Designed for: Public Release | Mod. Date: 2/16/2018 |
| TID #: 01028 | Project Title: TIDA-01028 | |
| Number: TIDA-01028 Rev: E3 | Sheet Title: FMC+CONN2 | |
| SVN Rev: Version control disabled | Assembly Variant: TIDA-01022A_Onboard_Pow | Sheet: 20 of 26 |
| Drawn By: Avinash N | File: TIDA-01022-E3_FMC+CONN2_2_SchDoc | Size: B |
| Engineer: Anbu Mani | Contact: http://www.ti.com/support | |



Texas Instruments and/or its licensors do not warrant the accuracy or completeness of this specification or any information contained therein. Texas Instruments and/or its licensors do not warrant that this design will meet the specifications, will be suitable for your application or fit for any particular purpose, or will operate in an implementation. Texas Instruments and/or its licensors do not warrant that the design is production worthy. You should completely validate and test your design implementation to confirm the system functionality for your application.

1 2 3 4 5 6



RT - SHORT = 2.1A
 RB - SHORT = 3.1A
 RT, RB = STUFF = 5.1A

+1.9V POWER RAIL

Fsw = 2 MHz

Build on TIDA-01022-E3 PCB and power solution used from TIDA-01027

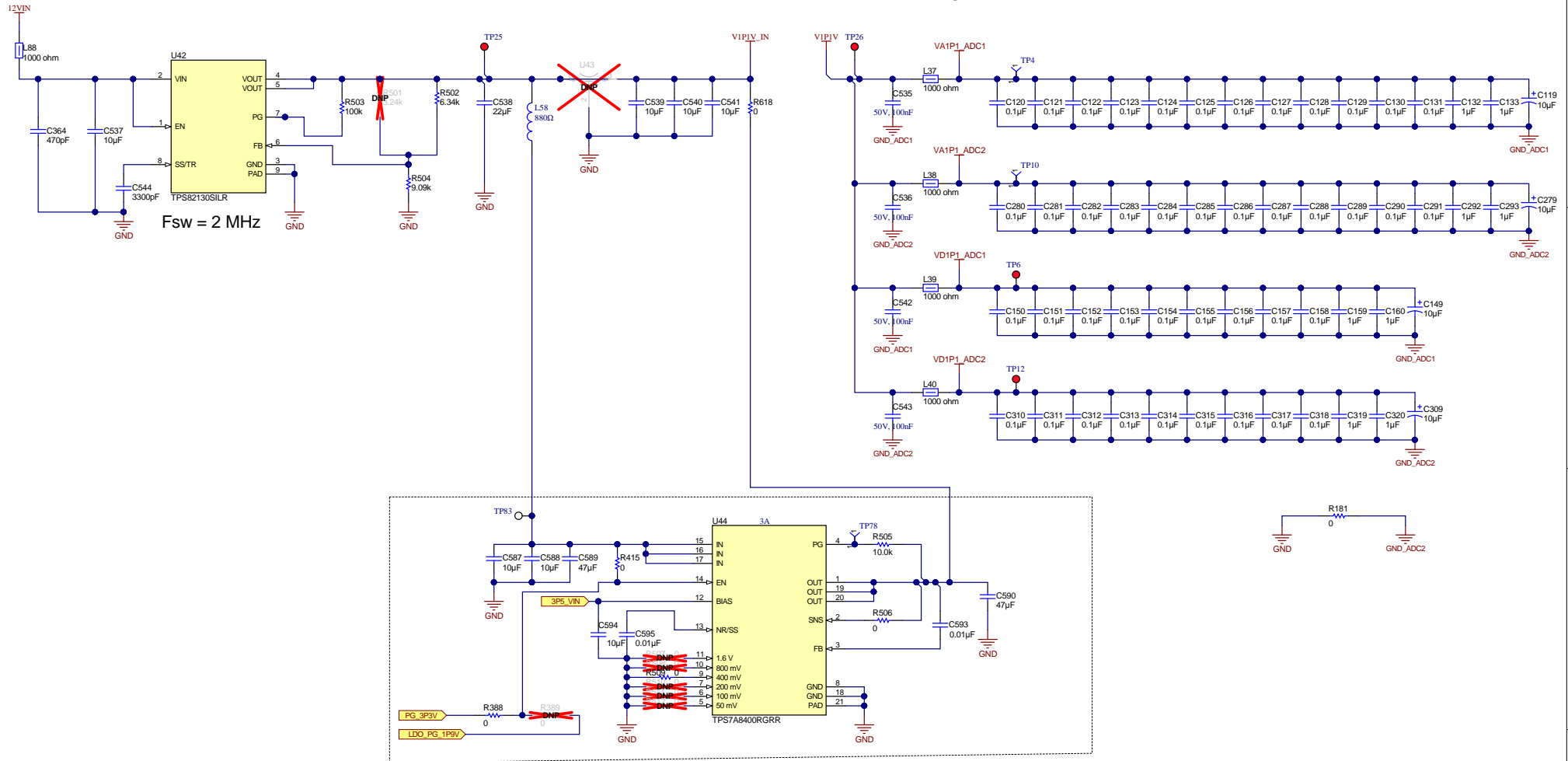
| | | |
|-----------------------------------|--|----------------------|
| Orderable: NA | Designed for: Public Release | Mod. Date: 2/16/2018 |
| TID #: 01028 | Project Title: TIDA-01028 | |
| Number: TIDA-01028 Rev: E3 | Sheet Title: Power Supplies | |
| SVN Rev: Version control disabled | Assembly Variant: TIDA-01022A_Onboard_Pow | Sheet: 21 of 26 |
| Drawn By: Avinash N | File: TIDA-01022-E3_Power1_SchDoc | Size: B |
| Engineer: Anbu Mani | Contact: http://www.ti.com/support | |

Texas Instruments and/or its licensors do not warrant the accuracy or completeness of this specification or any information contained therein. Texas Instruments and/or its licensors do not warrant that this design will meet the specifications, will be suitable for your application or fit for any particular purpose, or will operate in an implementation. Texas Instruments and/or its licensors do not warrant that the design is production worthy. You should completely validate and test your design implementation to confirm the system functionality for your application.



© Texas Instruments 2017

+1.1V POWER RAIL



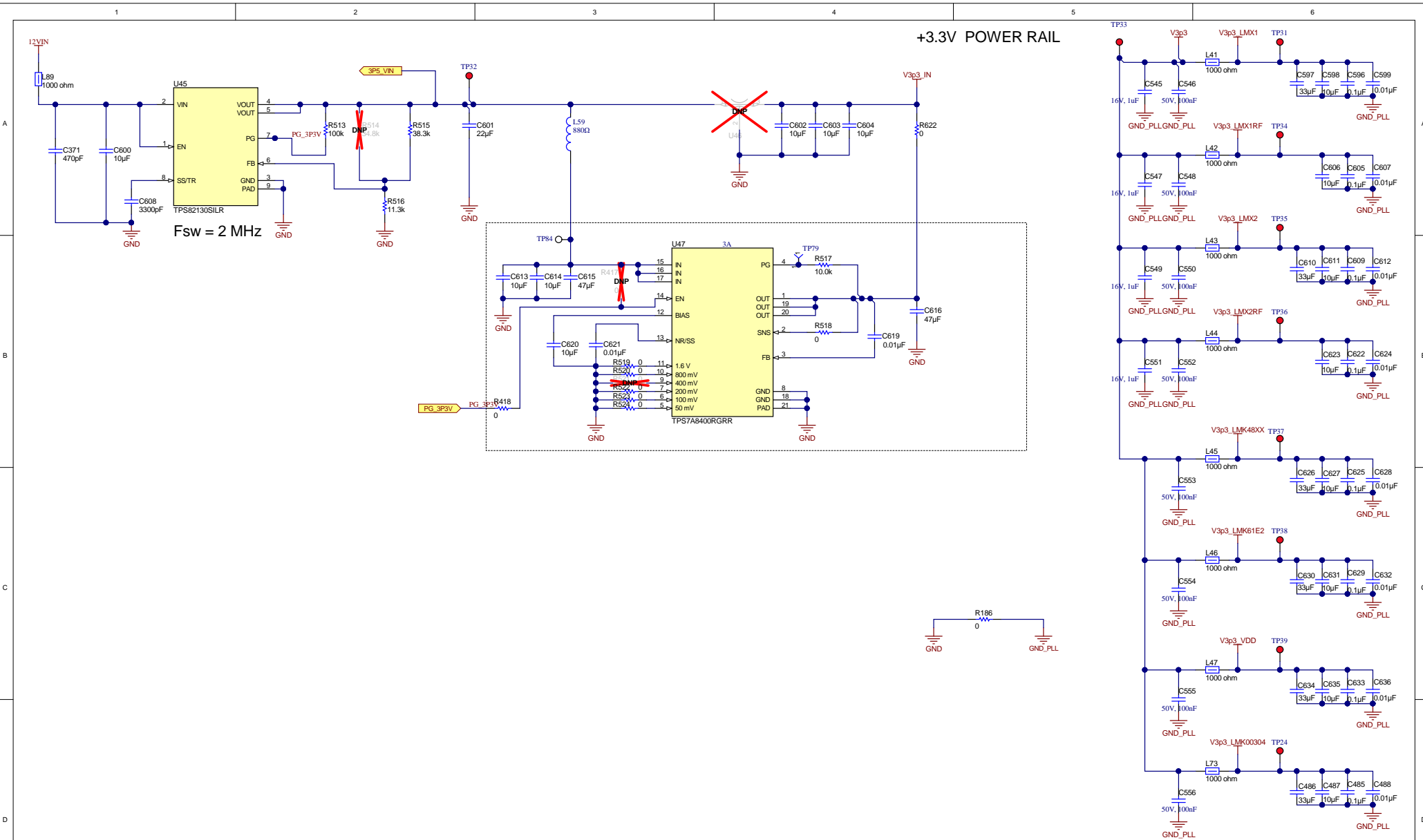
Texas Instruments and/or its licensors do not warrant the accuracy or completeness of this specification or any information contained therein. Texas Instruments and/or its licensors do not warrant that this design will meet the specifications, will be suitable for your application or fit for any particular purpose, or will operate in an implementation. Texas Instruments and/or its licensors do not warrant that the design is production worthy. You should completely validate and test your design implementation to confirm the system functionality for your application.

Build on TIDA-01022-E3 PCB and power solution used from TIDA-01027

| | | |
|-----------------------------------|--|----------------------|
| Orderable: NA | Designed for: Public Release | Mod. Date: 2/16/2018 |
| TID #: 01028 | Project Title: TIDA-01028 | |
| Number: TIDA-01028 Rev: E3 | Sheet Title: Power Supplies | |
| SVN Rev: Version control disabled | Assembly Variant: TIDA-01022A_Onboard_Pow | Sheet: 22 of 26 |
| Drawn By: Avinash N | File: TIDA-01022-E3_Power2_SchDoc | Size: B |
| Engineer: Anbu Mani | Contact: http://www.ti.com/support | |



© Texas Instruments 2017



+3.3V POWER RAIL

Fsw = 2 MHz

Build on TIDA-01022-E3 PCB and power solution used from TIDA-01027

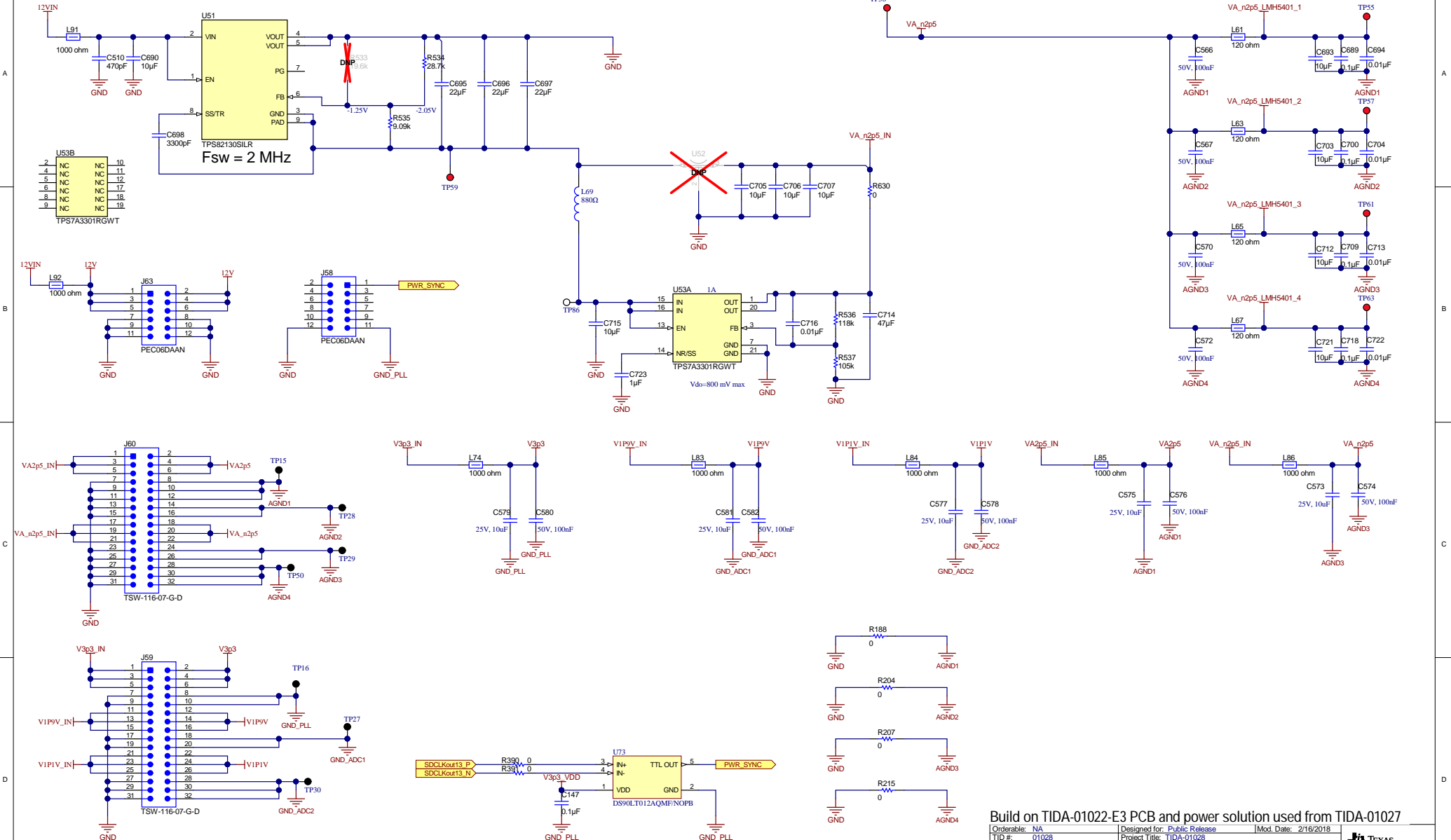
Texas Instruments and/or its licensors do not warrant the accuracy or completeness of this specification or any information contained therein. Texas Instruments and/or its licensors do not warrant that this design will meet the specifications, will be suitable for your application or fit for any particular purpose, or will operate in an implementation. Texas Instruments and/or its licensors do not warrant that the design is production worthy. You should completely validate and test your design implementation to confirm the system functionality for your application.

| | | |
|-----------------------------------|--|----------------------|
| Orderable: NA | Designed for: Public Release | Mod. Date: 2/16/2018 |
| TID #: 01028 | Project Title: TIDA-01028 | |
| Number: TIDA-01028 Rev: E3 | Sheet Title: Power Supplies | |
| SVN Rev: Version control disabled | Assembly Variant: TIDA-01022A_Onboard_Pow | Sheet: 23 of 26 |
| Drawn By: Avinash N | File: TIDA-01022-E3_Power3_SchDoc | Size: B |
| Engineer: Anbu Mani | Contact: http://www.ti.com/support | |



© Texas Instruments 2017

LMH5401 -2.5V



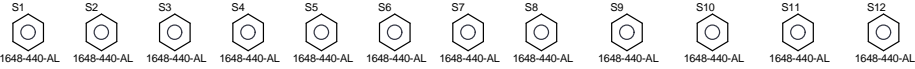
Texas Instruments and/or its licensors do not warrant the accuracy or completeness of this specification or any information contained therein. Texas Instruments and/or its licensors do not warrant that this design will meet the specifications, will be suitable for your application or fit for any particular purpose, or will operate in an implementation. Texas Instruments and/or its licensors do not warrant that the design is production worthy. You should completely validate and test your design implementation to confirm the system functionality for your application.

Build on TIDA-01022-E3 PCB and power solution used from TIDA-01027

| | | |
|-----------------------------------|--|----------------------|
| Orderable: NA | Designed for: Public Release | Mod. Date: 2/16/2018 |
| TID #: 01028 | Project Title: TIDA-01028 | |
| Number: TIDA-01028 Rev: E3 | Sheet Title: Power Supplies | |
| SVN Rev: Version control disabled | Assembly Variant: TIDA-01022A_Onboard_Powr | Sheet: 25 of 26 |
| Drawn By: Avinash N | File: TIDA-01022-E3_Power5_SchDoc | Size: B |
| Engineer: Anbu Mani | Contact: http://www.ti.com/support | |



© Texas Instruments 2017



PCB Number: TIDA-01028
PCB Rev: E3

PCB LOGO
Logo1
PCB LOGO
Pb-Free Symbol
PCB LOGO
FCC disclaimer

PCB LOGO
Logo4
PCB LOGO
Logo5
LOGO6
LOGO7
LOGO8
LOGO9

| Variant | Label Text |
|---------|------------|
| 001 | ChangeMe! |
| 002 | ChangeMe! |
| | |
| | |
| | |
| | |

LBL1
PCB Label
Size: 0.65" x 0.20"

ZZ1
Label Assembly Note
This Assembly Note is for PCB labels only

ZZ2
Assembly Note
These assemblies are ESD sensitive, ESD precautions shall be observed.

ZZ3
Assembly Note
These assemblies must be clean and free from flux and all contaminants. Use of no clean flux is not acceptable.

ZZ4
Assembly Note
These assemblies must comply with workmanship standards IPC-A-610 Class 2, unless otherwise specified.

You should delete the nylon screws/standoffs and/or the bumpers as needed for your design (or substitute other parts from Hardware.IntLib). Bumpers are cheaper, but provide less clearance.

Deleting anything else from this page may result in your EVM submission being rejected (until you add them back).

Update the Label Text in the Label Table as needed for each Assembly Variant.

You should delete this note too.

Texas Instruments and/or its licensors do not warrant the accuracy or completeness of this specification or any information contained therein. Texas Instruments and/or its licensors do not warrant that this design will meet the specifications, will be suitable for your application or fit for any particular purpose, or will operate in an implementation. Texas Instruments and/or its licensors do not warrant that the design is production worthy. You should completely validate and test your design implementation to confirm the system functionality for your application.

Build on TIDA-01022-E3 PCB and power solution used from TIDA-01027

| | | |
|-----------------------------------|--|---------------------|
| Orderable: NA | Designed for: Public Release | Mod. Date: 3/5/2019 |
| TID #: 01028 | Project Title: TIDA-01028 | |
| Number: TIDA-01028 Rev: E3 | Sheet Title: Hardware | |
| SVN Rev: Version control disabled | Assembly Variant: TIDA-01022A_Onboard_Pow | Sheet: 26 of 26 |
| Drawn By: Avinash N | File: TIDA-01022-E3_Hardware.SchDoc | Size: B |
| Engineer: Anbu Mani | Contact: http://www.ti.com/support | |



©Texas Instruments 2017

IMPORTANT NOTICE AND DISCLAIMER

TI PROVIDES TECHNICAL AND RELIABILITY DATA (INCLUDING DATASHEETS), DESIGN RESOURCES (INCLUDING REFERENCE DESIGNS), APPLICATION OR OTHER DESIGN ADVICE, WEB TOOLS, SAFETY INFORMATION, AND OTHER RESOURCES "AS IS" AND WITH ALL FAULTS, AND DISCLAIMS ALL WARRANTIES, EXPRESS AND IMPLIED, INCLUDING WITHOUT LIMITATION ANY IMPLIED WARRANTIES OF MERCHANTABILITY, FITNESS FOR A PARTICULAR PURPOSE OR NON-INFRINGEMENT OF THIRD PARTY INTELLECTUAL PROPERTY RIGHTS.

These resources are intended for skilled developers designing with TI products. You are solely responsible for (1) selecting the appropriate TI products for your application, (2) designing, validating and testing your application, and (3) ensuring your application meets applicable standards, and any other safety, security, or other requirements. These resources are subject to change without notice. TI grants you permission to use these resources only for development of an application that uses the TI products described in the resource. Other reproduction and display of these resources is prohibited. No license is granted to any other TI intellectual property right or to any third party intellectual property right. TI disclaims responsibility for, and you will fully indemnify TI and its representatives against, any claims, damages, costs, losses, and liabilities arising out of your use of these resources.

TI's products are provided subject to TI's Terms of Sale (www.ti.com/legal/termsofsale.html) or other applicable terms available either on ti.com or provided in conjunction with such TI products. TI's provision of these resources does not expand or otherwise alter TI's applicable warranties or warranty disclaimers for TI products.

Mailing Address: Texas Instruments, Post Office Box 655303, Dallas, Texas 75265
Copyright © 2019, Texas Instruments Incorporated