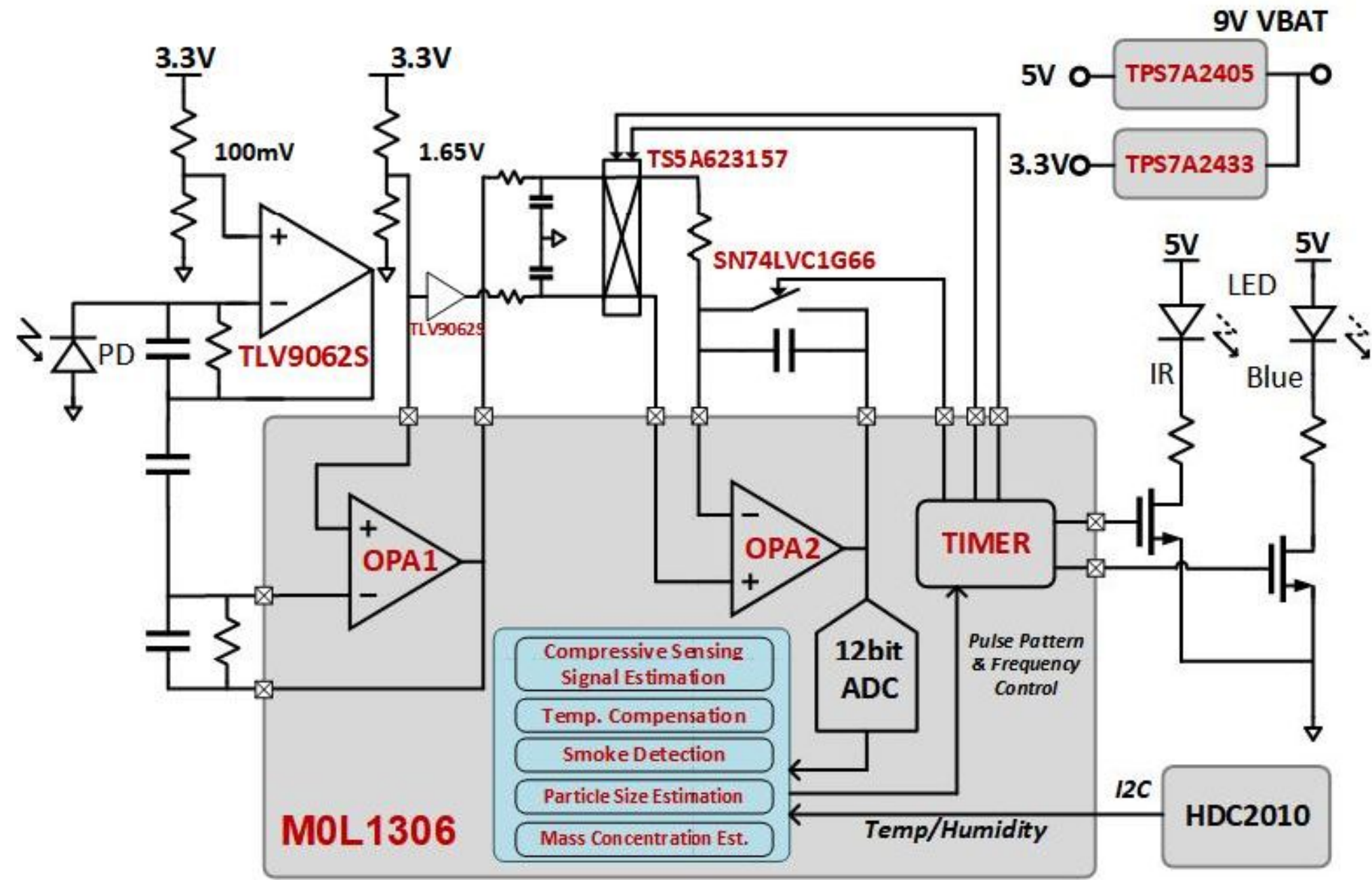
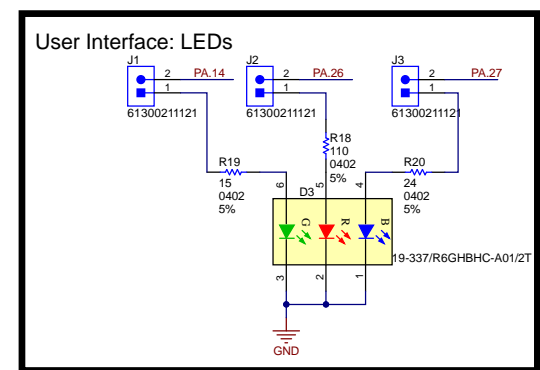
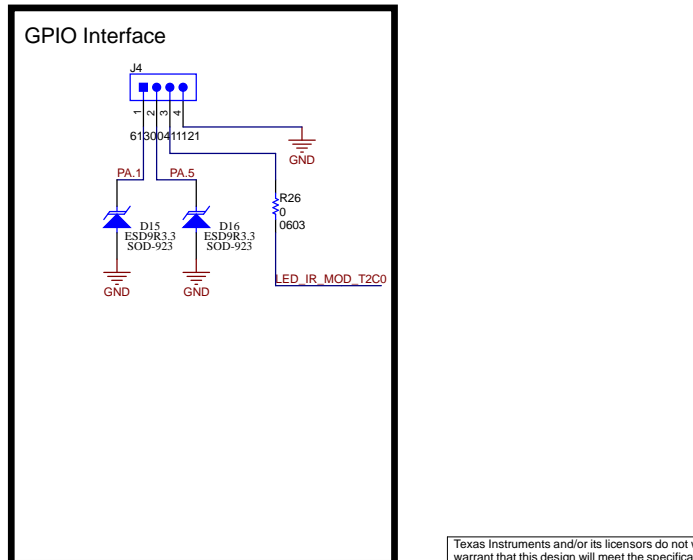
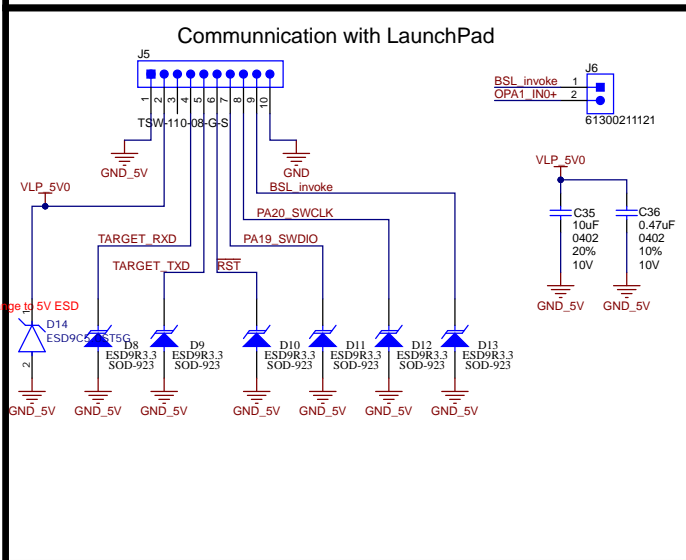
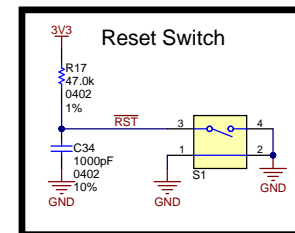
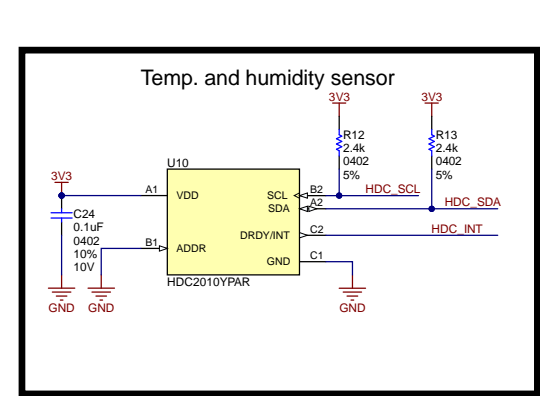
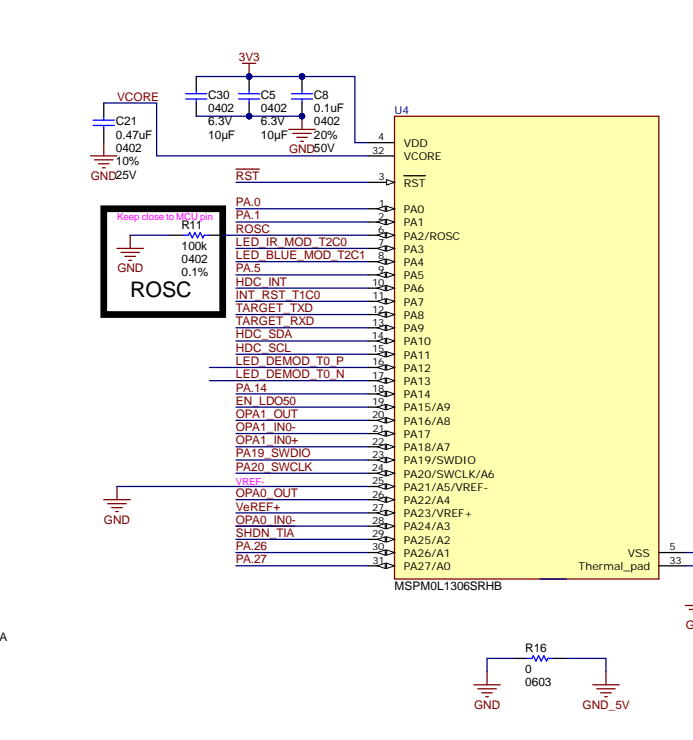
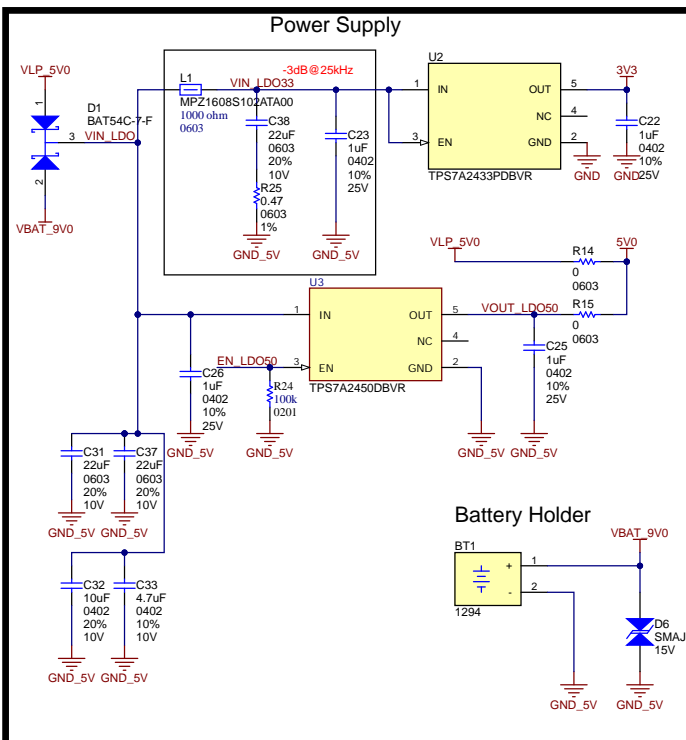
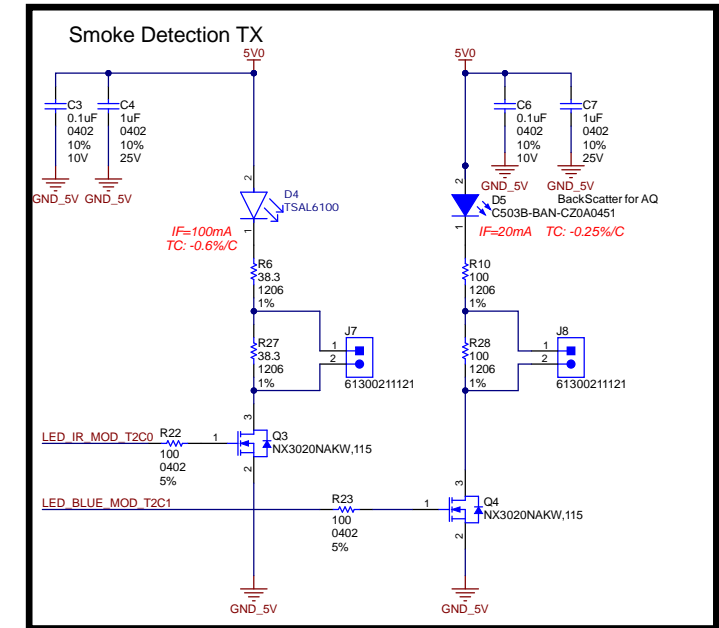
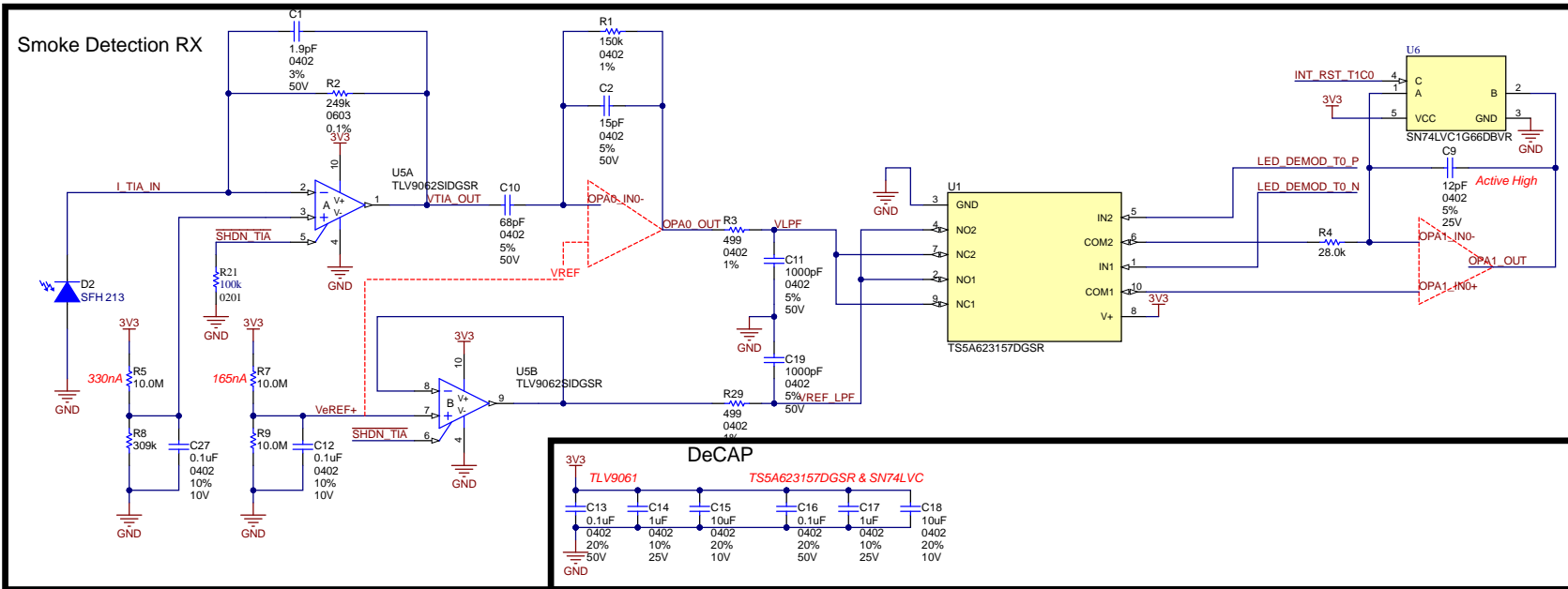


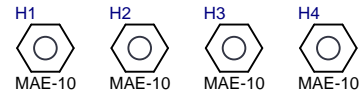
Revision History				
Rev	ECN #	Approved Date	Approved by	Notes
A				Initial Revision



Texas Instruments and/or its licensors do not warrant the accuracy or completeness of this specification or any information contained therein. Texas Instruments and/or its licensors do not warrant that this design will meet the specifications, will be suitable for your application or fit for any particular purpose, or will operate in an implementation. Texas Instruments and/or its licensors do not warrant that the design is production worthy. You should completely validate and test your design implementation to confirm the system functionality for your application.

Orderable:	Designed for: Public Release	Mod. Date: 12/4/2023	
TID #: TIDA-010941	Project Title: SASI Smoke Detection w/ Amb. Light Cancellation	Sheet 1 of 3	
Number: TIDA-010941 Rev: A	Sheet Title: Block Diagram / Revision History	Size: B	http://www.ti.com
SVN Rev: Not in version control	Assembly Variant: [No Variations]	Contact: http://www.ti.com/support	© Texas Instruments 2023
Drawn By: Boyu Shen	File: TIDA-010941_CoverSheet.SchDoc		
Engineer: Boyu Shen			





PCB Number: TIDA-010941
PCB Rev: E1

PCB
LOGO
Texas Instruments



Logo4
PCB
LOGO
FCC disclaimer

PCB
LOGO
WEEE logo

LBL1
PCB Label


THT-14-423-10
Size: 0.65" x 0.20 "

ZZ1
Label Assembly Note
This Assembly Note is for PCB labels only

ZZ2
Assembly Note
These assemblies are ESD sensitive, ESD precautions shall be observed.

ZZ3
Assembly Note
These assemblies must be clean and free from flux and all contaminants. Use of no clean flux is not acceptable.

ZZ4
Assembly Note
These assemblies must comply with workmanship standards IPC-A-610 Class 2, unless otherwise specified.

Orderable:	Designed for: Public Release	Mod. Date: 12/4/2023	 TEXAS INSTRUMENTS http://www.ti.com
TID #: TIDA-010941	Project Title: SASI Smoke Detection w/ Amb. Light Cancellation		
Number: TIDA-010941 Rev: A	Sheet Title: Hardware		Sheet: 3 of 3 Size: B © Texas Instruments 2023
SVN Rev: Not in version control	Assembly Variant: [No Variations]		
Drawn By: Boyu Shen	File: TIDA-010941_Hardware.SchDoc		
Engineer: Boyu Shen	Contact: http://www.ti.com/support		

Texas Instruments and/or its licensors do not warrant the accuracy or completeness of this specification or any information contained therein. Texas Instruments and/or its licensors do not warrant that this design will meet the specifications, will be suitable for your application or fit for any particular purpose, or will operate in an implementation. Texas Instruments and/or its licensors do not warrant that the design is production worthy. You should completely validate and test your design implementation to confirm the system functionality for your application.

IMPORTANT NOTICE AND DISCLAIMER

TI PROVIDES TECHNICAL AND RELIABILITY DATA (INCLUDING DATA SHEETS), DESIGN RESOURCES (INCLUDING REFERENCE DESIGNS), APPLICATION OR OTHER DESIGN ADVICE, WEB TOOLS, SAFETY INFORMATION, AND OTHER RESOURCES "AS IS" AND WITH ALL FAULTS, AND DISCLAIMS ALL WARRANTIES, EXPRESS AND IMPLIED, INCLUDING WITHOUT LIMITATION ANY IMPLIED WARRANTIES OF MERCHANTABILITY, FITNESS FOR A PARTICULAR PURPOSE OR NON-INFRINGEMENT OF THIRD PARTY INTELLECTUAL PROPERTY RIGHTS.

These resources are intended for skilled developers designing with TI products. You are solely responsible for (1) selecting the appropriate TI products for your application, (2) designing, validating and testing your application, and (3) ensuring your application meets applicable standards, and any other safety, security, regulatory or other requirements.

These resources are subject to change without notice. TI grants you permission to use these resources only for development of an application that uses the TI products described in the resource. Other reproduction and display of these resources is prohibited. No license is granted to any other TI intellectual property right or to any third party intellectual property right. TI disclaims responsibility for, and you will fully indemnify TI and its representatives against, any claims, damages, costs, losses, and liabilities arising out of your use of these resources.

TI's products are provided subject to [TI's Terms of Sale](#) or other applicable terms available either on [ti.com](https://www.ti.com) or provided in conjunction with such TI products. TI's provision of these resources does not expand or otherwise alter TI's applicable warranties or warranty disclaimers for TI products.

TI objects to and rejects any additional or different terms you may have proposed.

Mailing Address: Texas Instruments, Post Office Box 655303, Dallas, Texas 75265
Copyright © 2023, Texas Instruments Incorporated