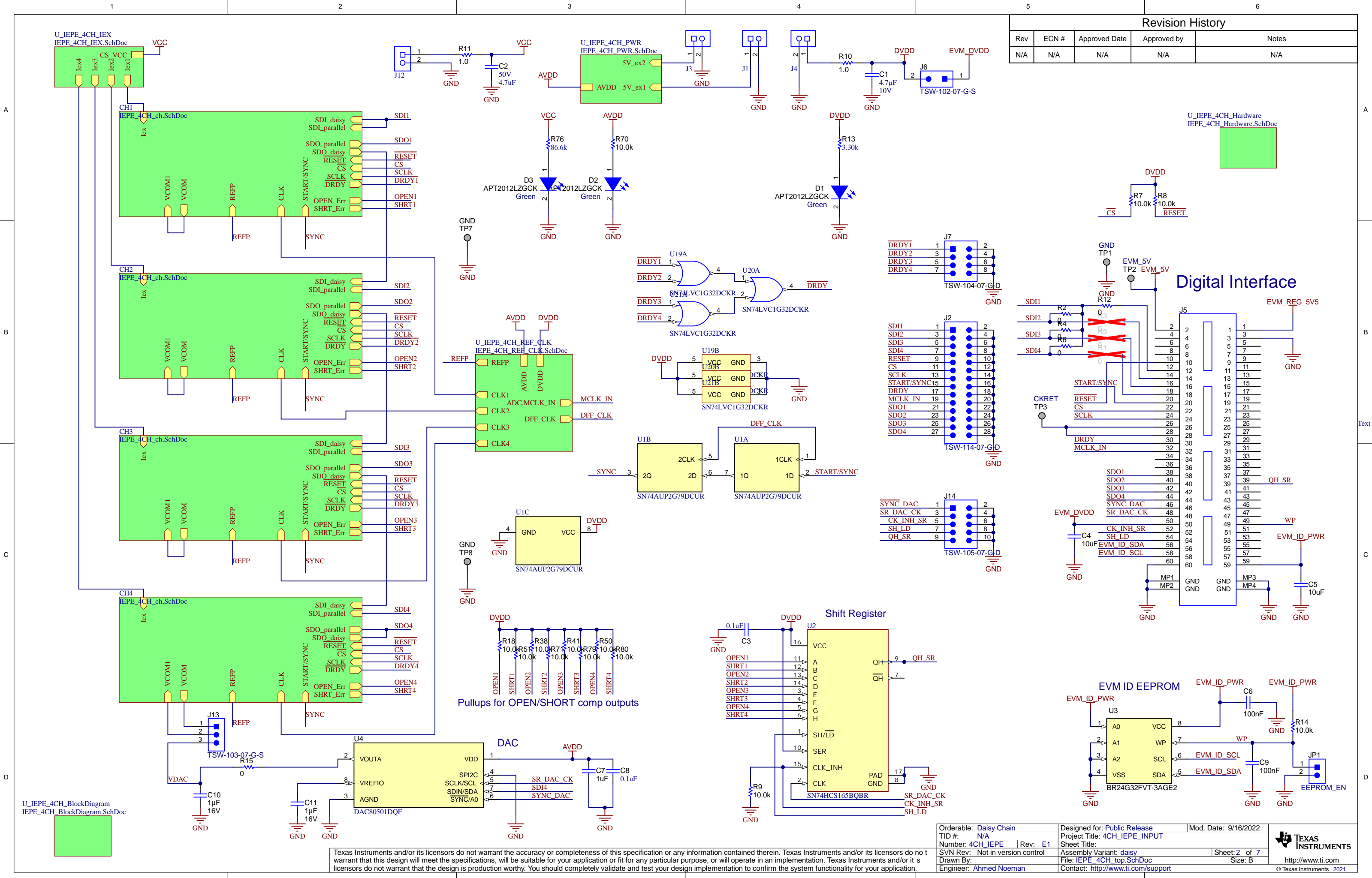


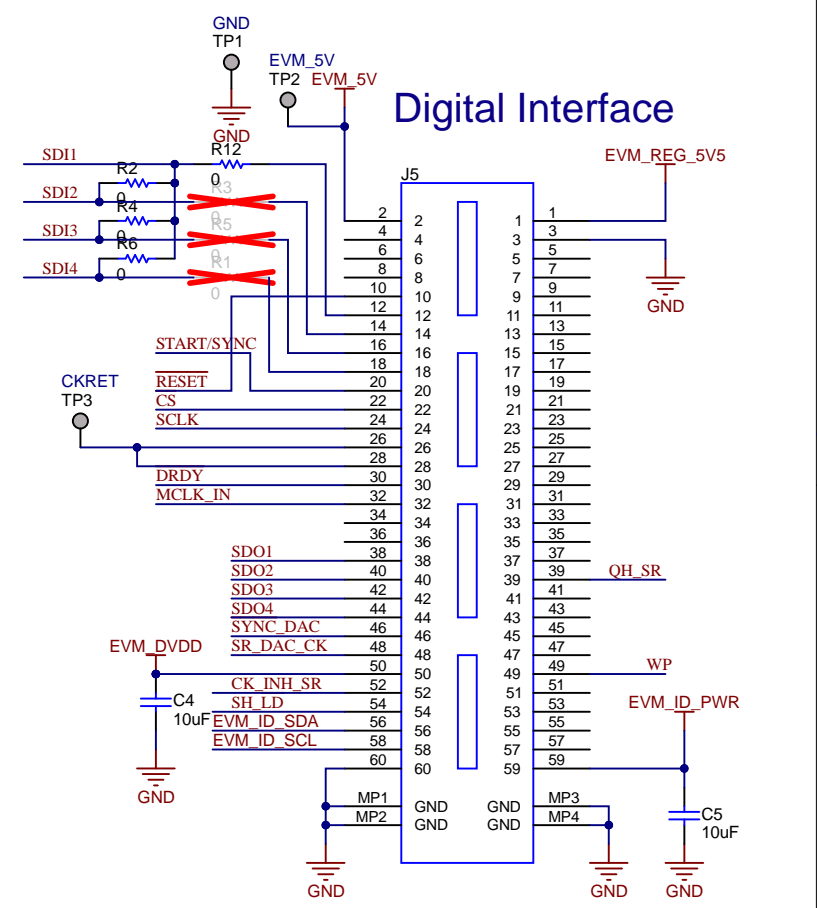
Orderable: Daisy Chain	Designed for: Public Release	Mod. Date: 9/16/2022
TID #: N/A	Project Title: 4CH_IPEP INPUT	
Number: 4CH_IPEP	Rev: E1	Sheet Title:
SVN Rev: Not in version control	Assembly Variant: daisy	Sheet: 1 of 7
Drawn By:	File: IEP_4CH_BlockDiagram.SchDoc	Size: B
Engineer: Ahmed Noeman	Contact: http://www.ti.com/support	

Texas Instruments and/or its licensors do not warrant the accuracy or completeness of this specification or any information contained therein. Texas Instruments and/or its licensors do not warrant that this design will meet the specifications, will be suitable for your application or fit for any particular purpose, or will operate in an implementation. Texas Instruments and/or its licensors do not warrant that the design is production worthy. You should completely validate and test your design implementation to confirm the system functionality for your application.

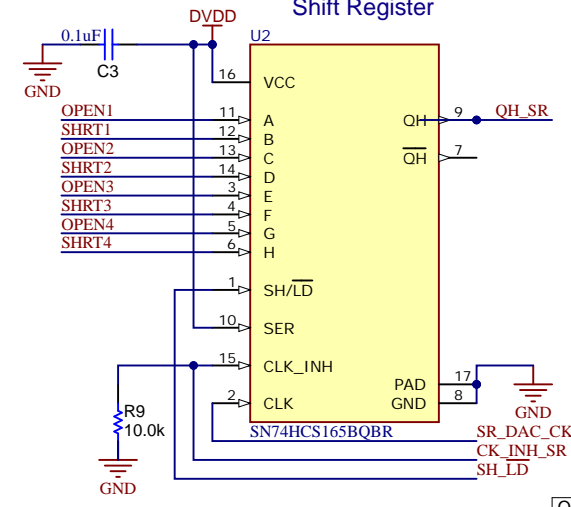
Revision History				
Rev	ECN #	Approved Date	Approved by	Notes
N/A	N/A	N/A	N/A	N/A



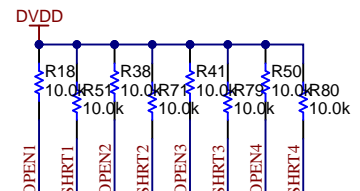
Digital Interface



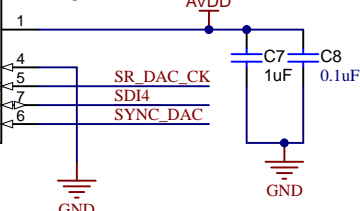
Shift Register



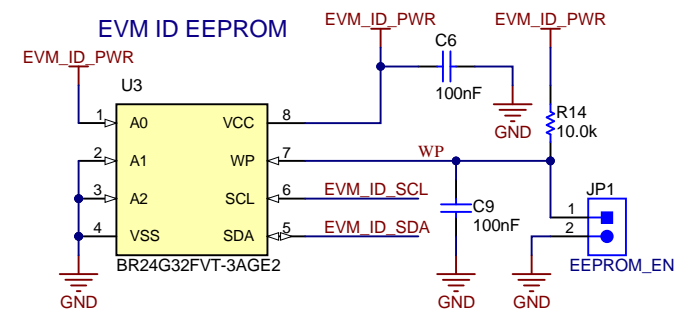
Pullups for OPEN/SHORT comp outputs



DAC



EVM ID EEPROM

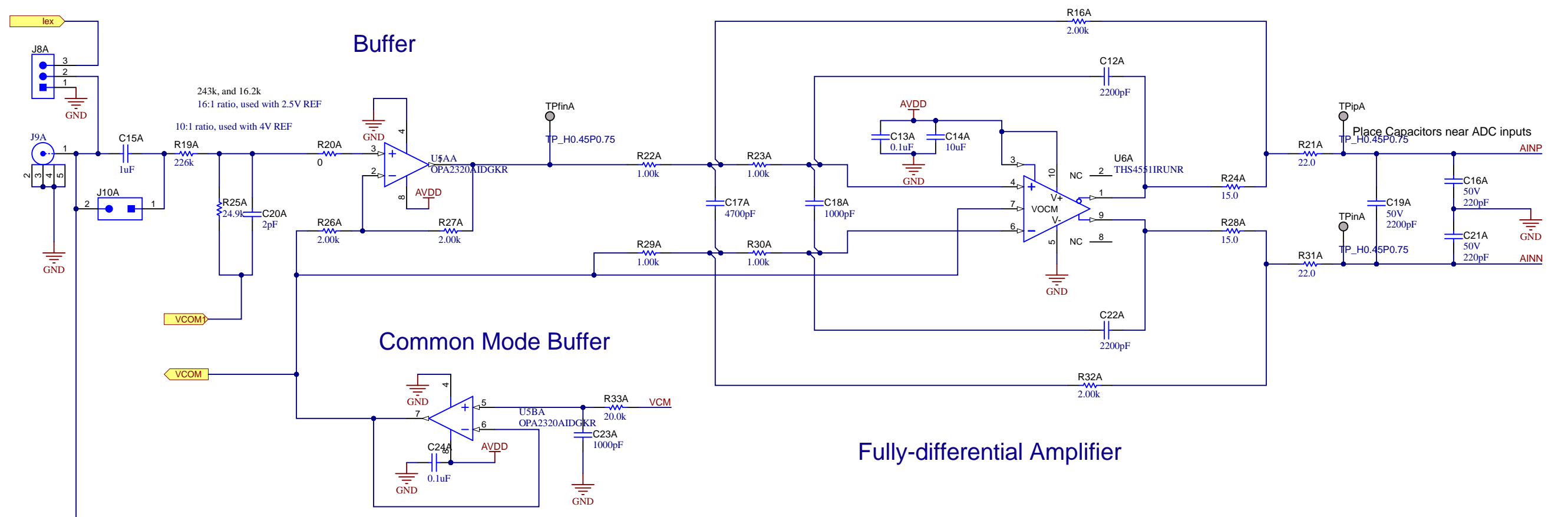


U_IEPE_4CH_BlockDiagram
IEPE_4CH_BlockDiagram.SchDoc

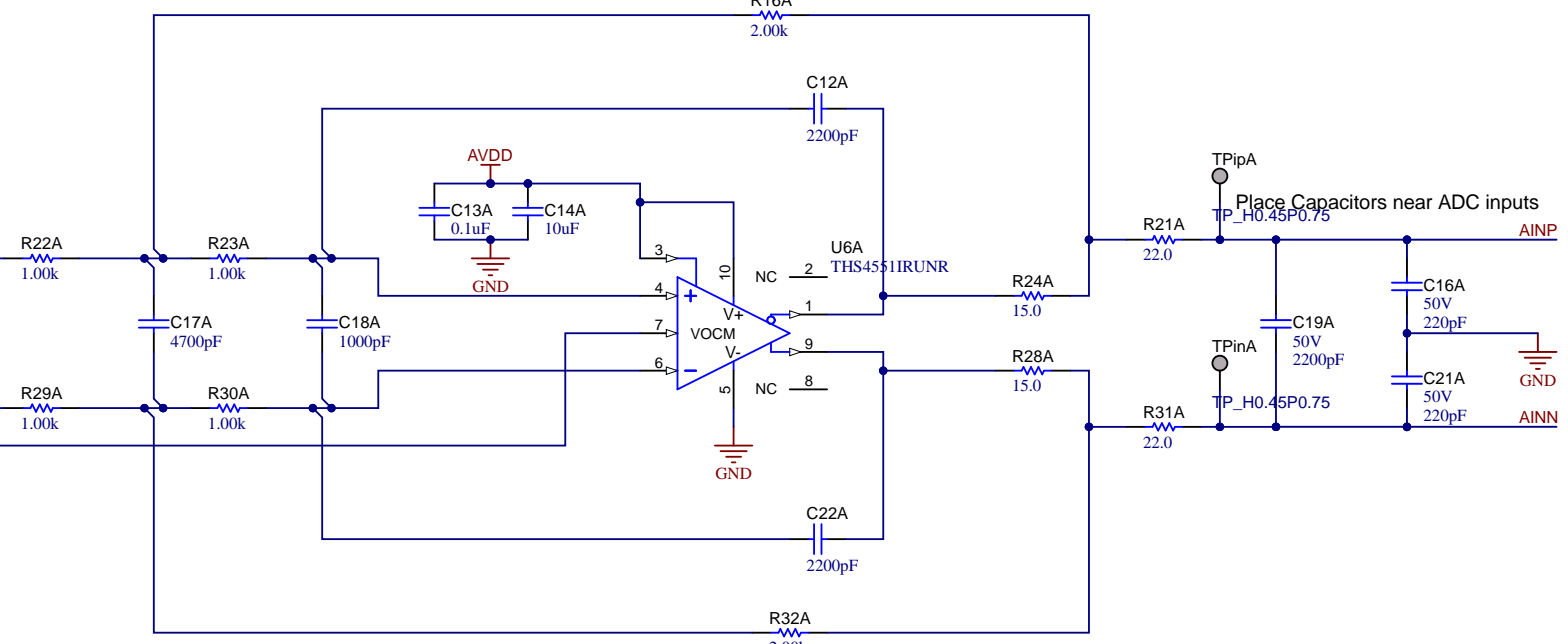
U_IEPE_4CH_Hardware
IEPE_4CH_Hardware.SchDoc

Texas Instruments and/or its licensors do not warrant the accuracy or completeness of this specification or any information contained therein. Texas Instruments and/or its licensors do not warrant that this design will meet the specifications, will be suitable for your application or fit for any particular purpose, or will operate in an implementation. Texas Instruments and/or its licensors do not warrant that the design is production worthy. You should completely validate and test your design implementation to confirm the system functionality for your application.

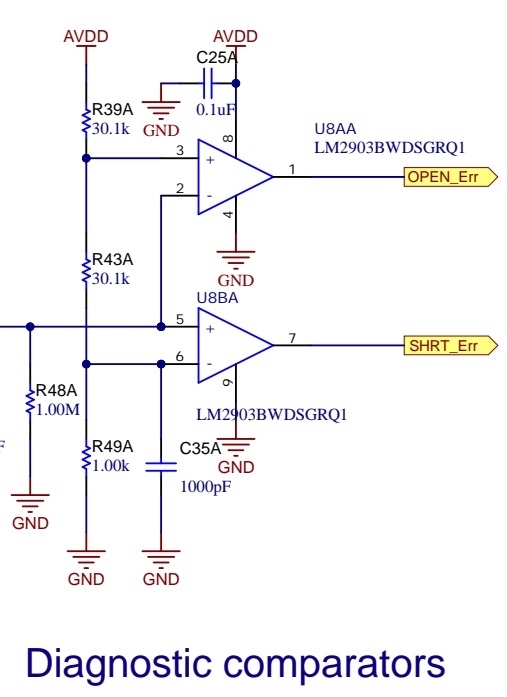
Orderable: Daisy Chain	Designed for: Public Release	Mod. Date: 9/16/2022
TID #: N/A	Project Title: 4CH_IEPE_INPUT	
Number: 4CH_IEPE	Rev: E1	Sheet Title:
SVN Rev: Not in version control	File: IEPE_4CH_top.SchDoc	Sheet: 2 of 7
Drawn By:	Size: B	Contact: http://www.ti.com/support
Engineer: Ahmed Noeman		© Texas Instruments 2021



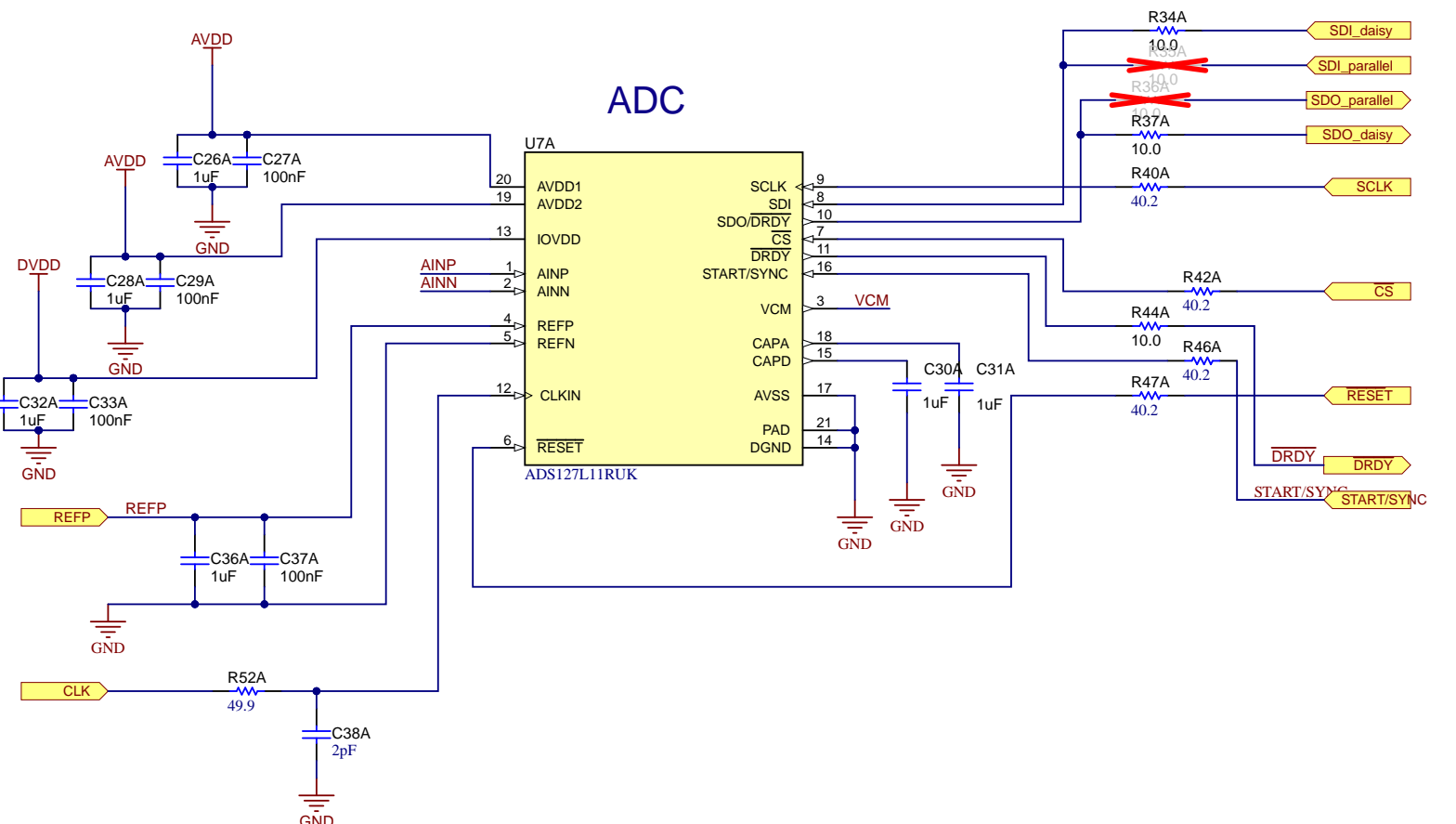
Fully-differential Amplifier



Place Capacitors near ADC inputs



Diagnostic comparators

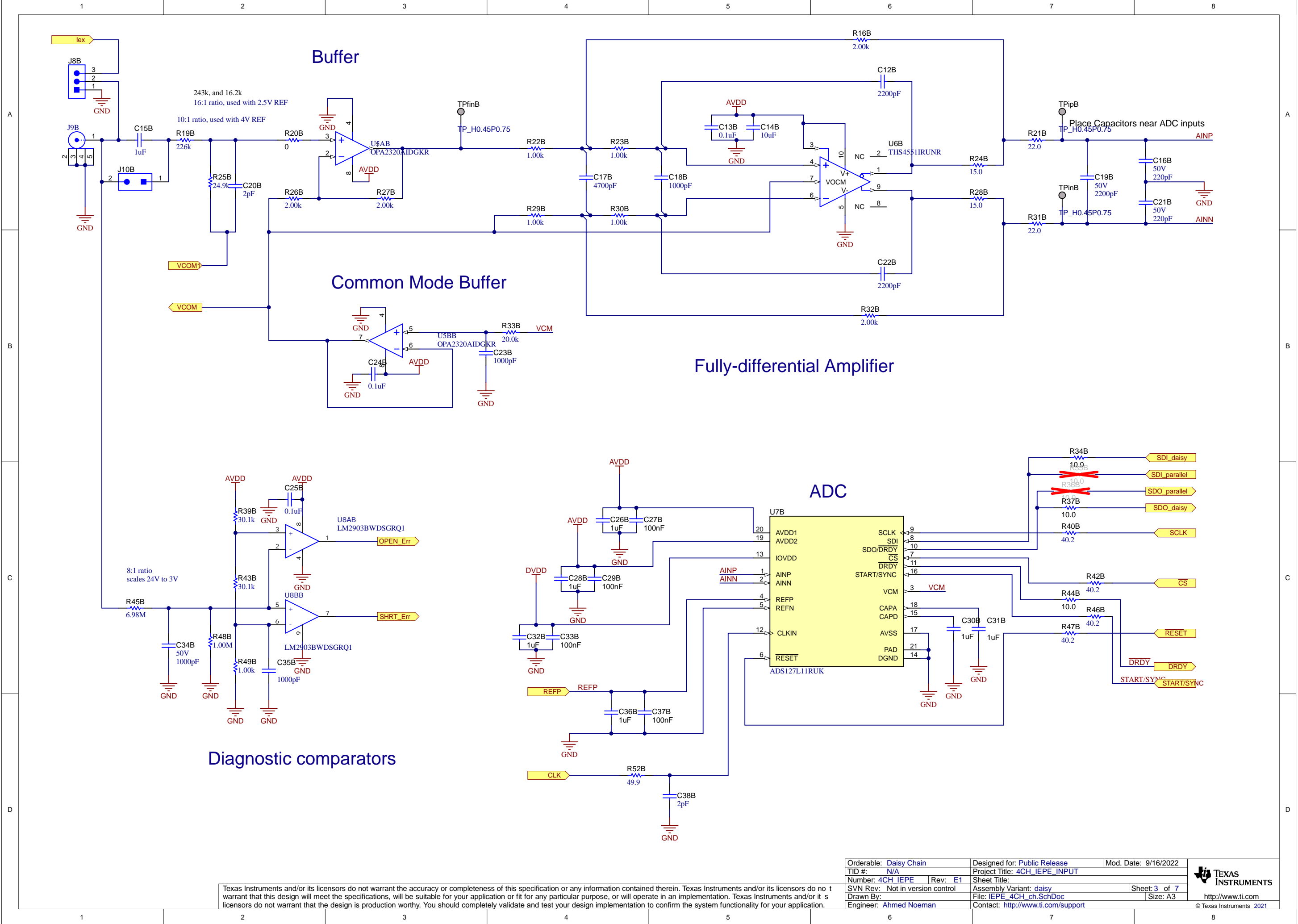


ADC

Orderable: Daisy Chain	Designed for: Public Release	Mod. Date: 9/16/2022
TID #: N/A	Project Title: 4CH_IEPE_INPUT	
Number: 4CH_IEPE	Rev: E1	Sheet Title:
SVN Rev: Not in version control	Assembly Variant: daisy	Sheet: 3 of 7
Drawn By:	File: IEPE_4CH_ch.SchDoc	Size: A3
Engineer: Ahmed Noeman	Contact: http://www.ti.com/support	

Texas Instruments and/or its licensors do not warrant the accuracy or completeness of this specification or any information contained therein. Texas Instruments and/or its licensors do not warrant that this design will meet the specifications, will be suitable for your application or fit for any particular purpose, or will operate in an implementation. Texas Instruments and/or its licensors do not warrant that the design is production worthy. You should completely validate and test your design implementation to confirm the system functionality for your application.





Buffer

Common Mode Buffer

Fully-differential Amplifier

Diagnostic comparators

ADC

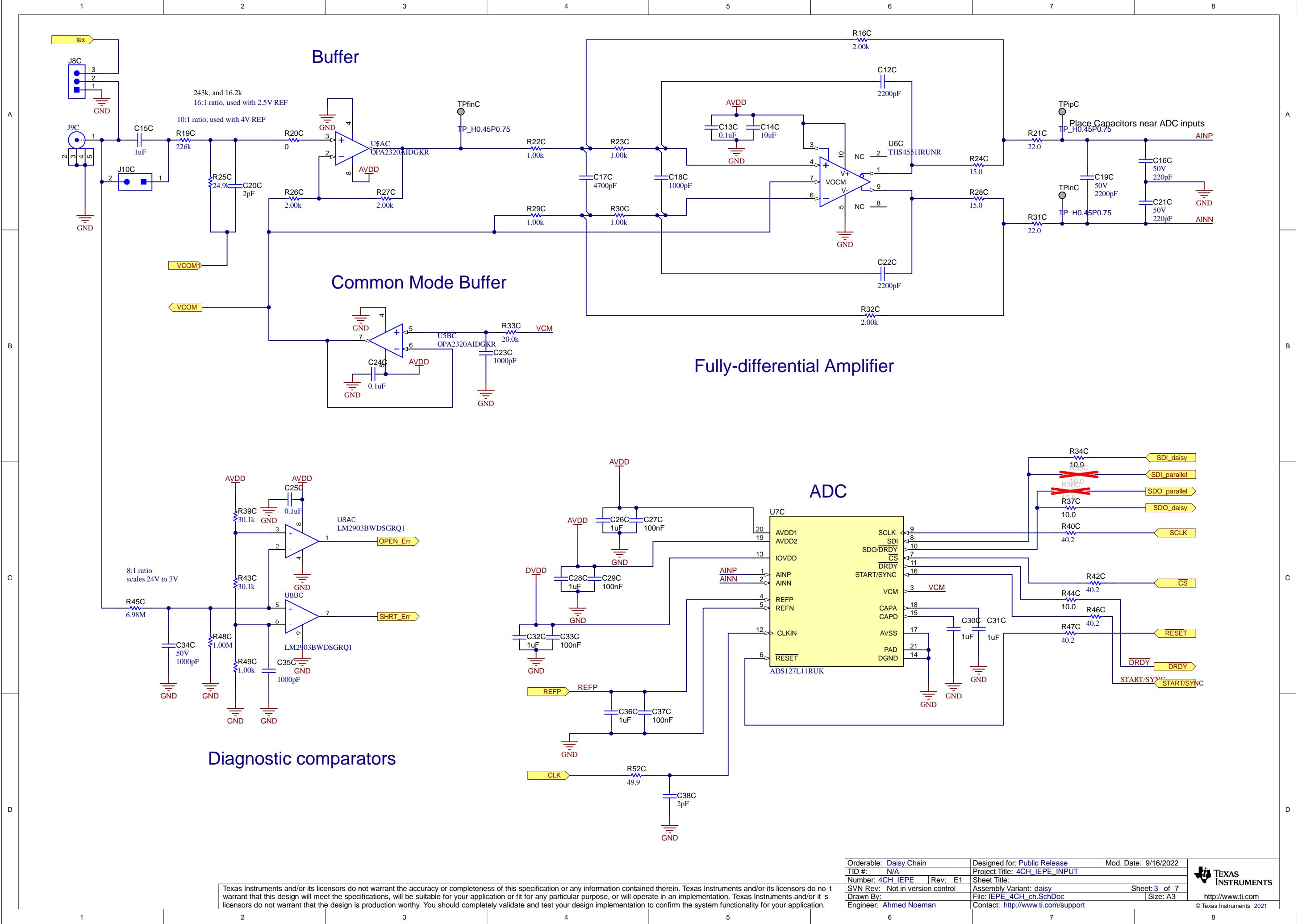
Place Capacitors near ADC inputs

Texas Instruments and/or its licensors do not warrant the accuracy or completeness of this specification or any information contained therein. Texas Instruments and/or its licensors do not warrant that this design will meet the specifications, will be suitable for your application or fit for any particular purpose, or will operate in an implementation. Texas Instruments and/or its licensors do not warrant that the design is production worthy. You should completely validate and test your design implementation to confirm the system functionality for your application.

Orderable: Daisy Chain	Designed for: Public Release	Mod. Date: 9/16/2022
TID #: N/A	Project Title: 4CH_IEPE_INPUT	
Number: 4CH_IEPE	Rev: E1	Sheet Title:
SVN Rev: Not in version control	Assembly Variant: daisy	Sheet: 3 of 7
Drawn By:	File: IEPE_4CH_ch.SchDoc	Size: A3
Engineer: Ahmed Noeman	Contact: http://www.ti.com/support	



© Texas Instruments 2021

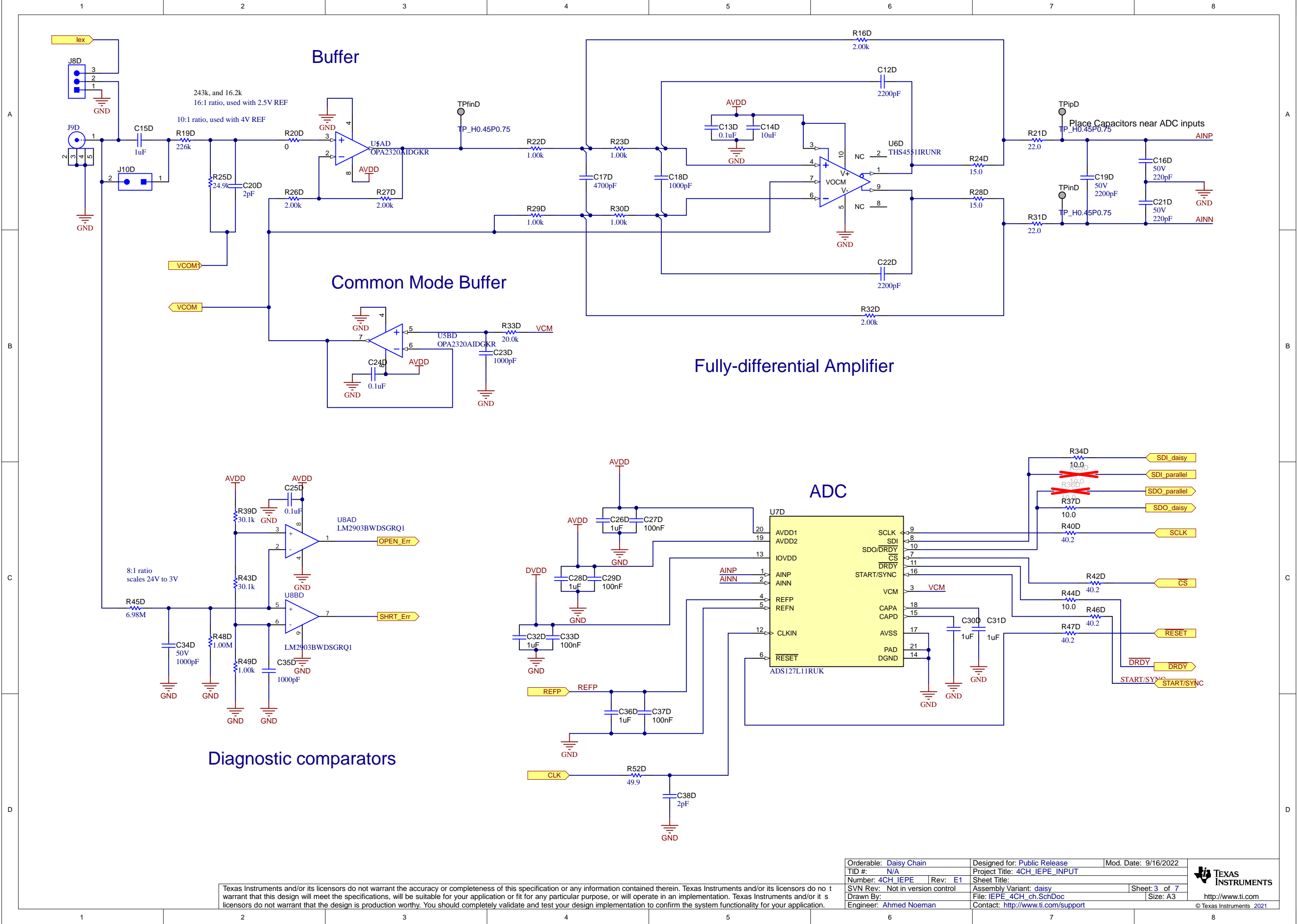


Texas Instruments and/or its licensors do not warrant the accuracy or completeness of this specification or any information contained therein. Texas Instruments and/or its licensors do not warrant that this design will meet the specifications, will be suitable for your application or fit for any particular purpose, or will operate in an implementation. Texas Instruments and/or its licensors do not warrant that the design is production worthy. You should completely validate and test your design implementation to confirm the system functionality for your application.

Orderable: Daisy Chain	Designed for: Public Release	Mod. Date: 9/16/2022
TID #: N/A	Project Title: 4CH_IIEPE_INPUT	
Number: 4CH_IIEPE	Rev: E1	Sheet Title:
SVN Rev: Not in version control	Assembly Variant: daisy	Sheet: 3 of 7
Drawn By:	File: IIEPE_4CH_ch.SchDoc	Size: A3
Engineer: Ahmed Noeman	Contact: http://www.ti.com/support	



© Texas Instruments 2021



Texas Instruments and/or its licensors do not warrant the accuracy or completeness of this specification or any information contained therein. Texas Instruments and/or its licensors do not warrant that this design will meet the specifications, will be suitable for your application or fit for any particular purpose, or will operate in an implementation. Texas Instruments and/or its licensors do not warrant that the design is production worthy. You should completely validate and test your design implementation to confirm the system functionality for your application.

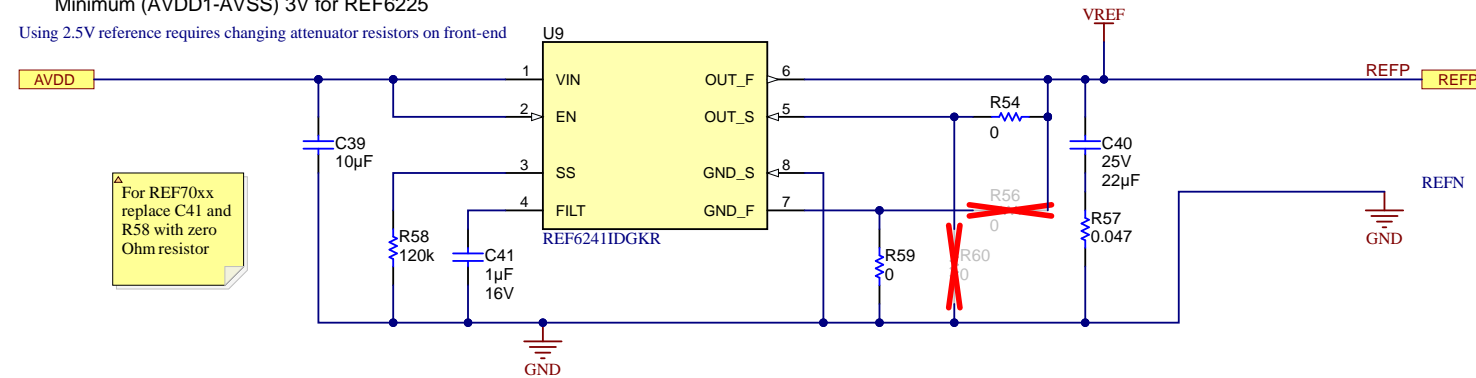
Orderable: Daisy Chain	Designed for: Public Release	Mod. Date: 9/16/2022
TID #: N/A	Project Title: 4CH_IEPE_INPUT	
Number: 4CH_IEPE	Rev: E1	Sheet Title:
SVN Rev: Not in version control	Assembly Variant: daisy	Sheet: 3 of 7
Drawn By:	File: IEPE_4CH_ch.SchDoc	Size: A3
Engineer: Ahmed Noeman	Contact: http://www.ti.com/support	



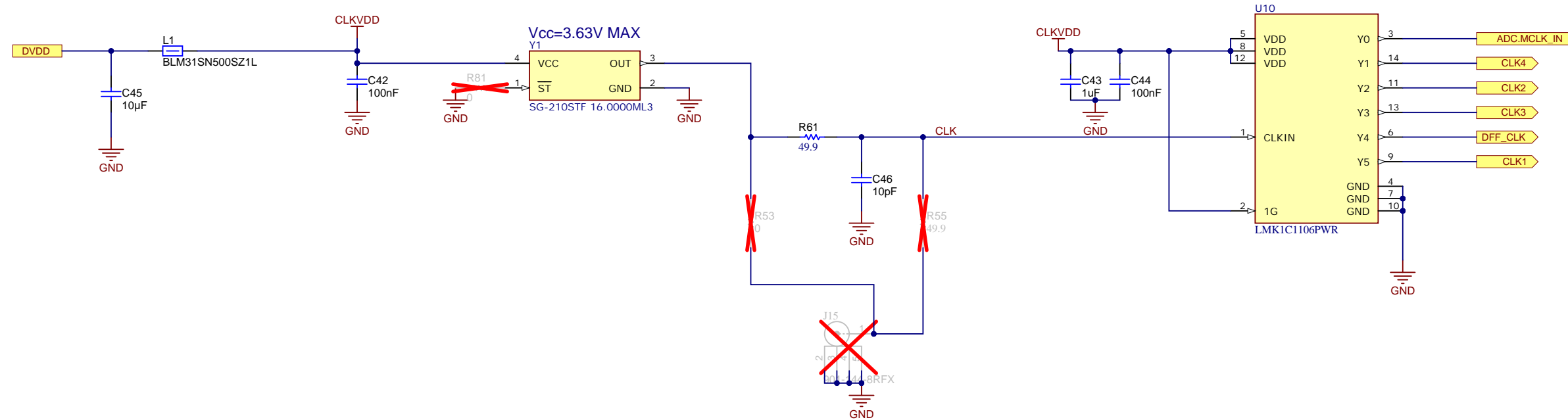
© Texas Instruments 2021

REFERENCE

Minimum (AVDD1-AVSS) 3V for REF6225
Using 2.5V reference requires changing attenuator resistors on front-end



CLOCK

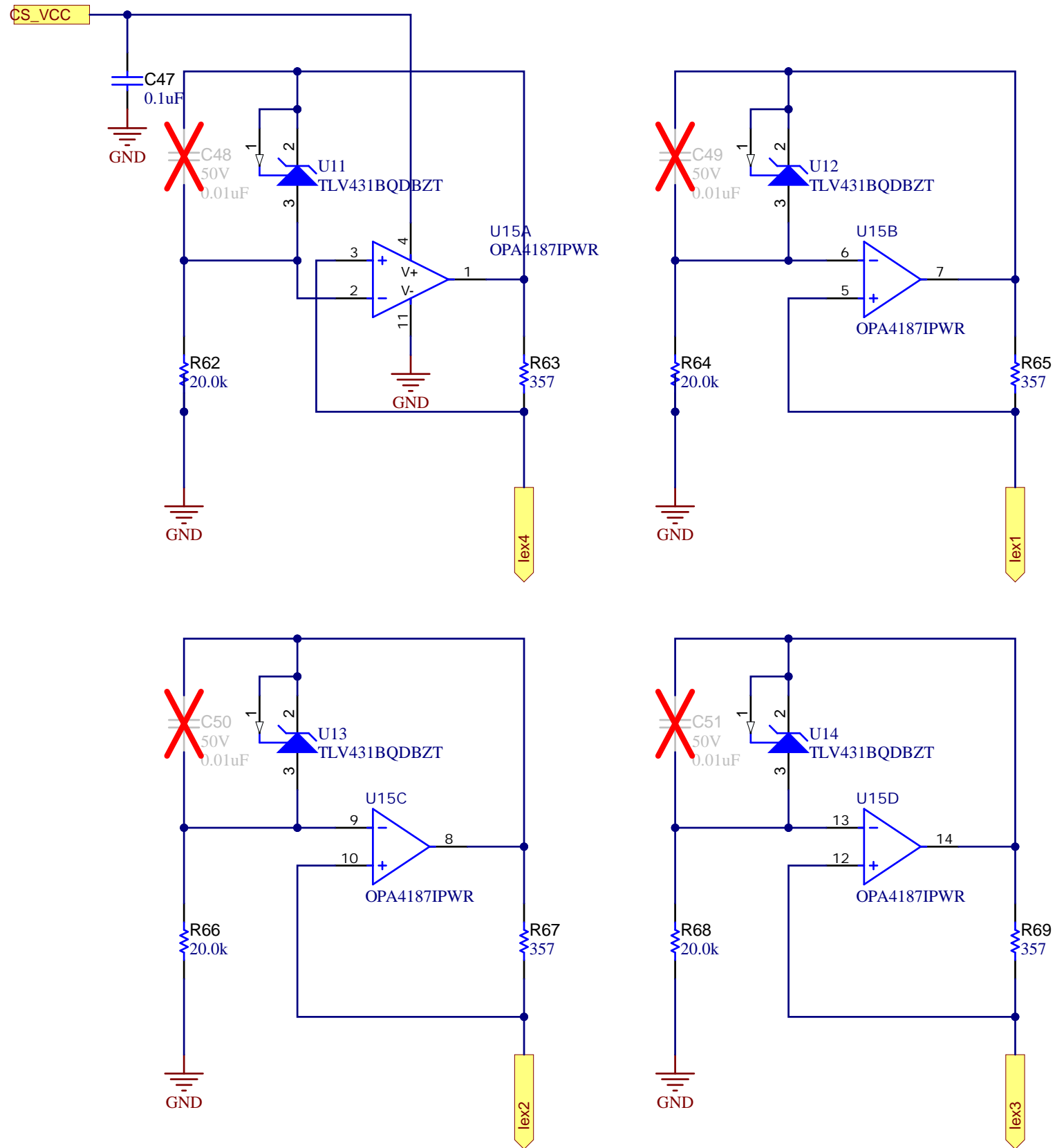


Texas Instruments and/or its licensors do not warrant the accuracy or completeness of this specification or any information contained therein. Texas Instruments and/or its licensors do not warrant that this design will meet the specifications, will be suitable for your application or fit for any particular purpose, or will operate in an implementation. Texas Instruments and/or its licensors do not warrant that the design is production worthy. You should completely validate and test your design implementation to confirm the system functionality for your application.

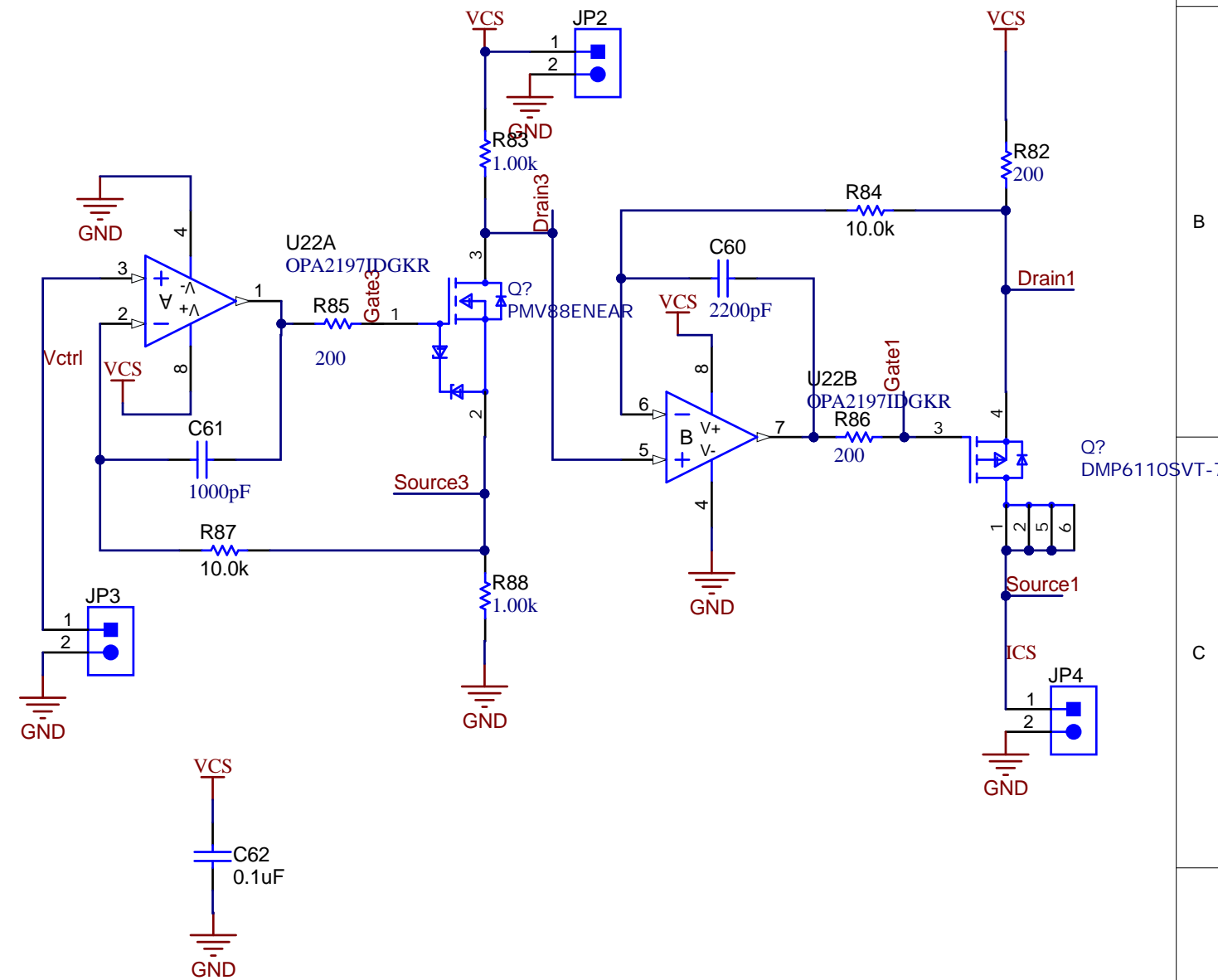
Orderable: Daisy Chain	Designed for: Public Release	Mod. Date: 9/16/2022
TID #: N/A	Project Title: 4CH_IEPE_INPUT	
Number: 4CH_IEPE	Rev: E1	Sheet Title:
SVN Rev: Not in version control	Assembly Variant: daisy	Sheet: 4 of 7
Drawn By:	File: IEPE_4CH_REF_CLK.SchDoc	Size: A3
Engineer: Ahmed Noeman	Contact: http://www.ti.com/support	



Current Sources



Variable Current Source stage (stand-alone)



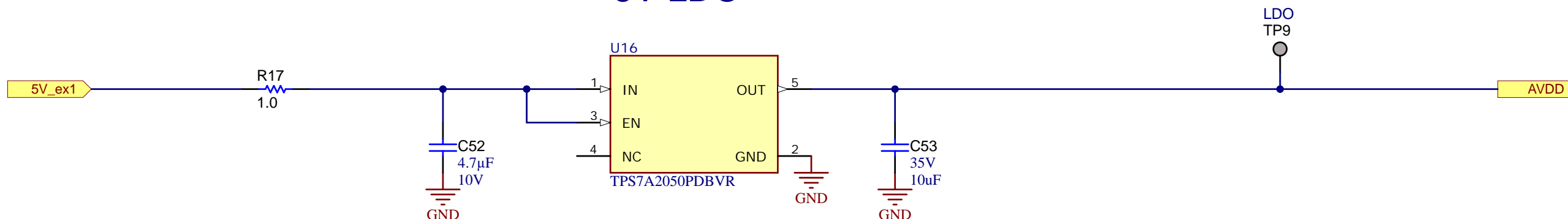
Texas Instruments and/or its licensors do not warrant the accuracy or completeness of this specification or any information contained therein. Texas Instruments and/or its licensors do not warrant that this design will meet the specifications, will be suitable for your application or fit for any particular purpose, or will operate in an implementation. Texas Instruments and/or its licensors do not warrant that the design is production worthy. You should completely validate and test your design implementation to confirm the system functionality for your application.

Orderable: Daisy Chain	Designed for: Public Release	Mod. Date: 9/16/2022
TID #: N/A	Project Title: 4CH_IEPE_INPUT	
Number: 4CH_IEPE	Rev: E1	Sheet Title:
SVN Rev: Not in version control	Assembly Variant: daisy	Sheet: 5 of 7
Drawn By:	File: IEPE_4CH_IEX.SchDoc	Size: A4
Engineer: Ahmed Noeman	Contact: http://www.ti.com/support	



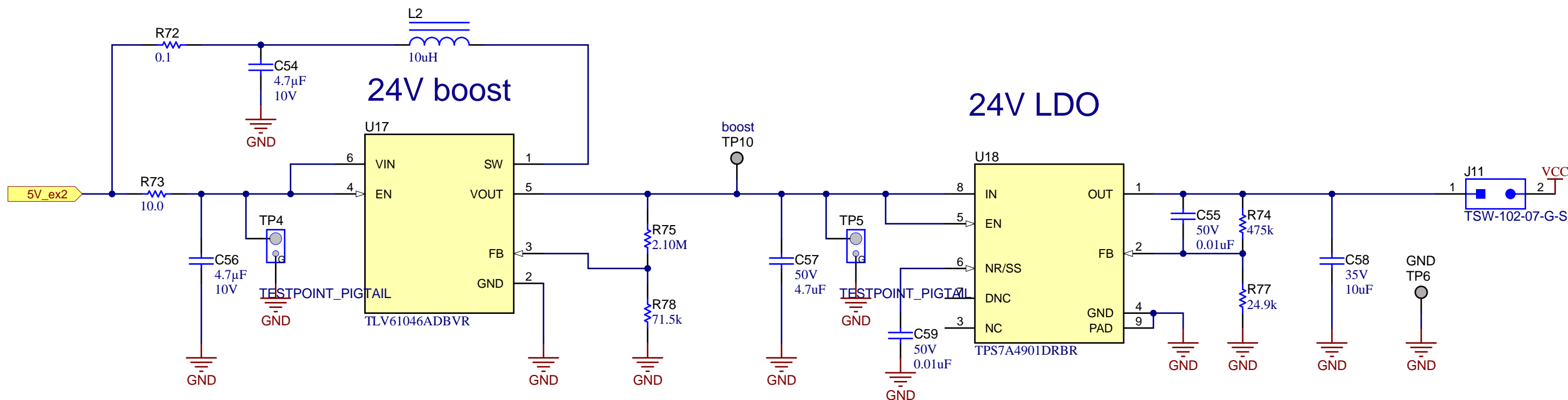
© Texas Instruments 2021

5V LDO



24V boost

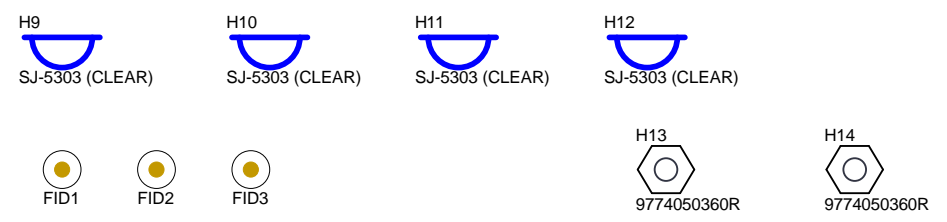
24V LDO



Texas Instruments and/or its licensors do not warrant the accuracy or completeness of this specification or any information contained therein. Texas Instruments and/or its licensors do not warrant that this design will meet the specifications, will be suitable for your application or fit for any particular purpose, or will operate in an implementation. Texas Instruments and/or its licensors do not warrant that the design is production worthy. You should completely validate and test your design implementation to confirm the system functionality for your application.

Orderable: Daisy Chain	Designed for: Public Release	Mod. Date: 9/16/2022
TID #: N/A	Project Title: 4CH_IEPE_INPUT	
Number: 4CH_IEPE	Rev: E1	Sheet Title:
SVN Rev: Not in version control	Assembly Variant: daisy	Sheet: 6 of 7
Drawn By:	File: IEPE_4CH_PWR.SchDoc	Size: A4
Engineer: Ahmed Noeman	Contact: http://www.ti.com/support	





PCB Number: 4CH_IEPE
PCB Rev: E1

PCB LOGO
Texas Instruments

Variant/Label Table	
Variant	Label Text
001	ChangeMe!
002	ChangeMe!

LBL1
PCB Label
THT-14-423-10
Size: 0.65" x 0.20 "

ZZ1
Label Assembly Note
This Assembly Note is for PCB labels only

ZZ2
Assembly Note
These assemblies are ESD sensitive, ESD precautions shall be observed.

ZZ3
Assembly Note
These assemblies must be clean and free from flux and all contaminants. Use of no clean flux is not acceptable.

ZZ4
Assembly Note
These assemblies must comply with workmanship standards IPC-A-610 Class 2, unless otherwise specified.

Orderable: Daisy Chain	Designed for: Public Release	Mod. Date: 9/16/2022
TID #: N/A	Project Title: 4CH_IEPE_INPUT	
Number: 4CH_IEPE	Rev: E1	Sheet Title:
SVN Rev: Not in version control	Assembly Variant: daisy	Sheet: 7 of 7
Drawn By:	File: IEPE_4CH_Hardware.SchDoc	Size: B
Engineer: Ahmed Noeman	Contact: http://www.ti.com/support	

Texas Instruments and/or its licensors do not warrant the accuracy or completeness of this specification or any information contained therein. Texas Instruments and/or its licensors do not warrant that this design will meet the specifications, will be suitable for your application or fit for any particular purpose, or will operate in an implementation. Texas Instruments and/or its licensors do not warrant that the design is production worthy. You should completely validate and test your design implementation to confirm the system functionality for your application.



IMPORTANT NOTICE AND DISCLAIMER

TI PROVIDES TECHNICAL AND RELIABILITY DATA (INCLUDING DATA SHEETS), DESIGN RESOURCES (INCLUDING REFERENCE DESIGNS), APPLICATION OR OTHER DESIGN ADVICE, WEB TOOLS, SAFETY INFORMATION, AND OTHER RESOURCES "AS IS" AND WITH ALL FAULTS, AND DISCLAIMS ALL WARRANTIES, EXPRESS AND IMPLIED, INCLUDING WITHOUT LIMITATION ANY IMPLIED WARRANTIES OF MERCHANTABILITY, FITNESS FOR A PARTICULAR PURPOSE OR NON-INFRINGEMENT OF THIRD PARTY INTELLECTUAL PROPERTY RIGHTS.

These resources are intended for skilled developers designing with TI products. You are solely responsible for (1) selecting the appropriate TI products for your application, (2) designing, validating and testing your application, and (3) ensuring your application meets applicable standards, and any other safety, security, regulatory or other requirements.

These resources are subject to change without notice. TI grants you permission to use these resources only for development of an application that uses the TI products described in the resource. Other reproduction and display of these resources is prohibited. No license is granted to any other TI intellectual property right or to any third party intellectual property right. TI disclaims responsibility for, and you will fully indemnify TI and its representatives against, any claims, damages, costs, losses, and liabilities arising out of your use of these resources.

TI's products are provided subject to [TI's Terms of Sale](#) or other applicable terms available either on ti.com or provided in conjunction with such TI products. TI's provision of these resources does not expand or otherwise alter TI's applicable warranties or warranty disclaimers for TI products.

TI objects to and rejects any additional or different terms you may have proposed.

Mailing Address: Texas Instruments, Post Office Box 655303, Dallas, Texas 75265
Copyright © 2022, Texas Instruments Incorporated