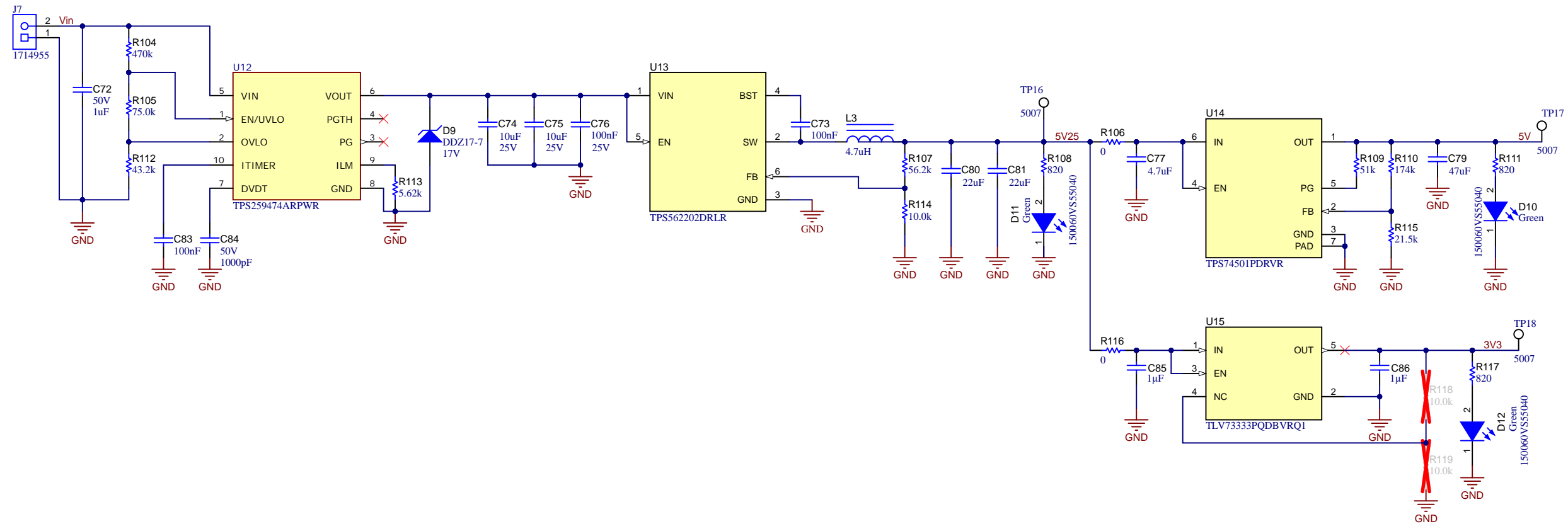


Texas Instruments and/or its licensors do not warrant the accuracy or completeness of this specification or any information contained therein. Texas Instruments and/or its licensors do not warrant that this design will meet the specifications, will be suitable for your application or fit for any particular purpose, or will operate in an implementation. Texas Instruments and/or its licensors do not warrant that the design is production worthy. You should completely validate and test your design implementation to confirm the system functionality for your application.

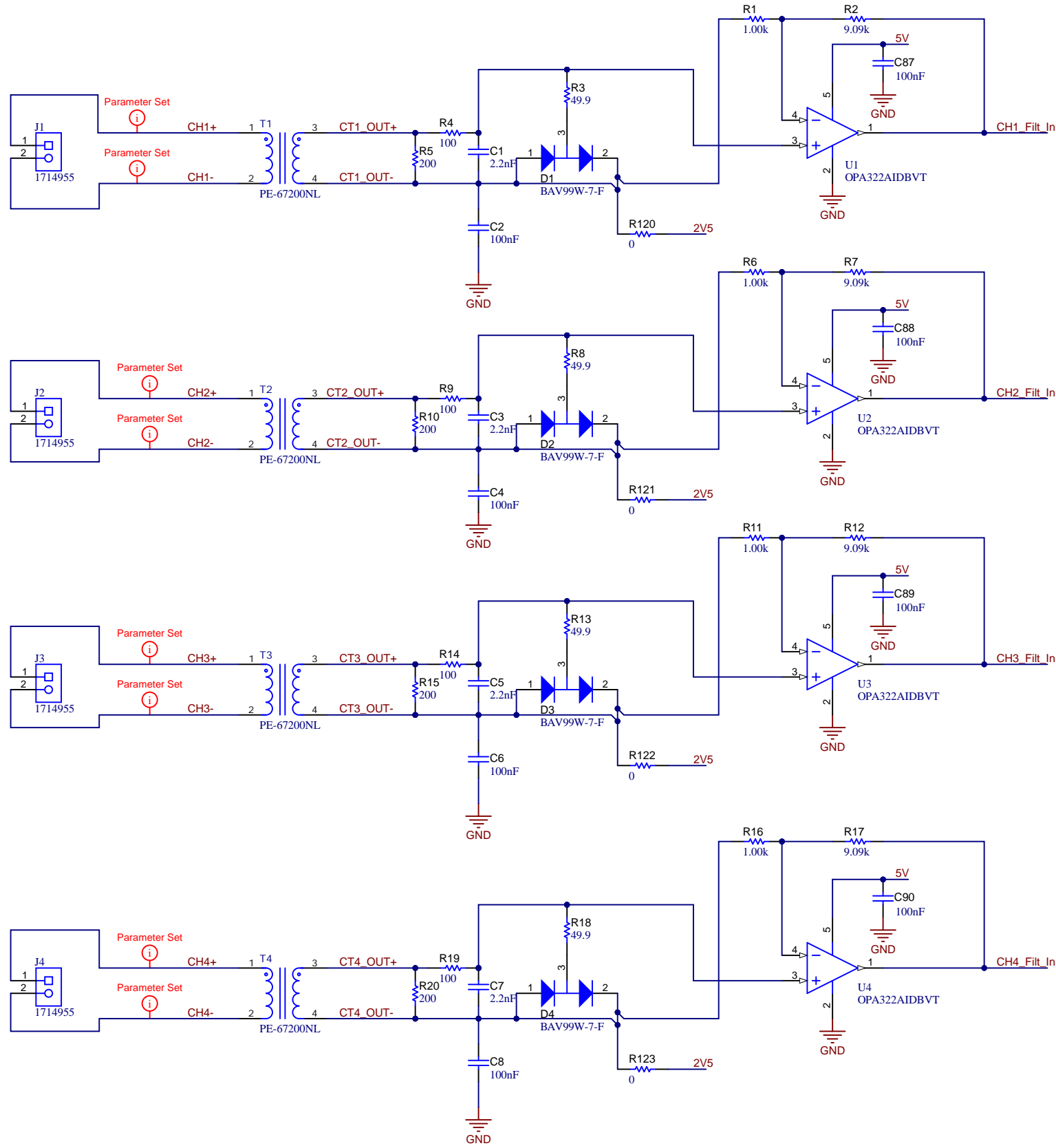
Orderable: N/A	Designed for: Public Release	Mod. Date: 01-Jul-22
TID #: TIDA-010231	Project Title: TIDA-010231	
Number: TIDA-010231	Rev: E1	Sheet Title: Block Diagram
SVN Rev: Not in version control	Assembly Variant: 001	Sheet: 1 of 6
Drawn By: Andreas Lechner	File: TIDA-010231_Block_Diagram.SchDoc	Size: B
Engineer: Andreas Lechner	Contact: http://www.ti.com/support	

Vin: 8V to 16V **EFuse for overvoltage and reverse polarity protection**



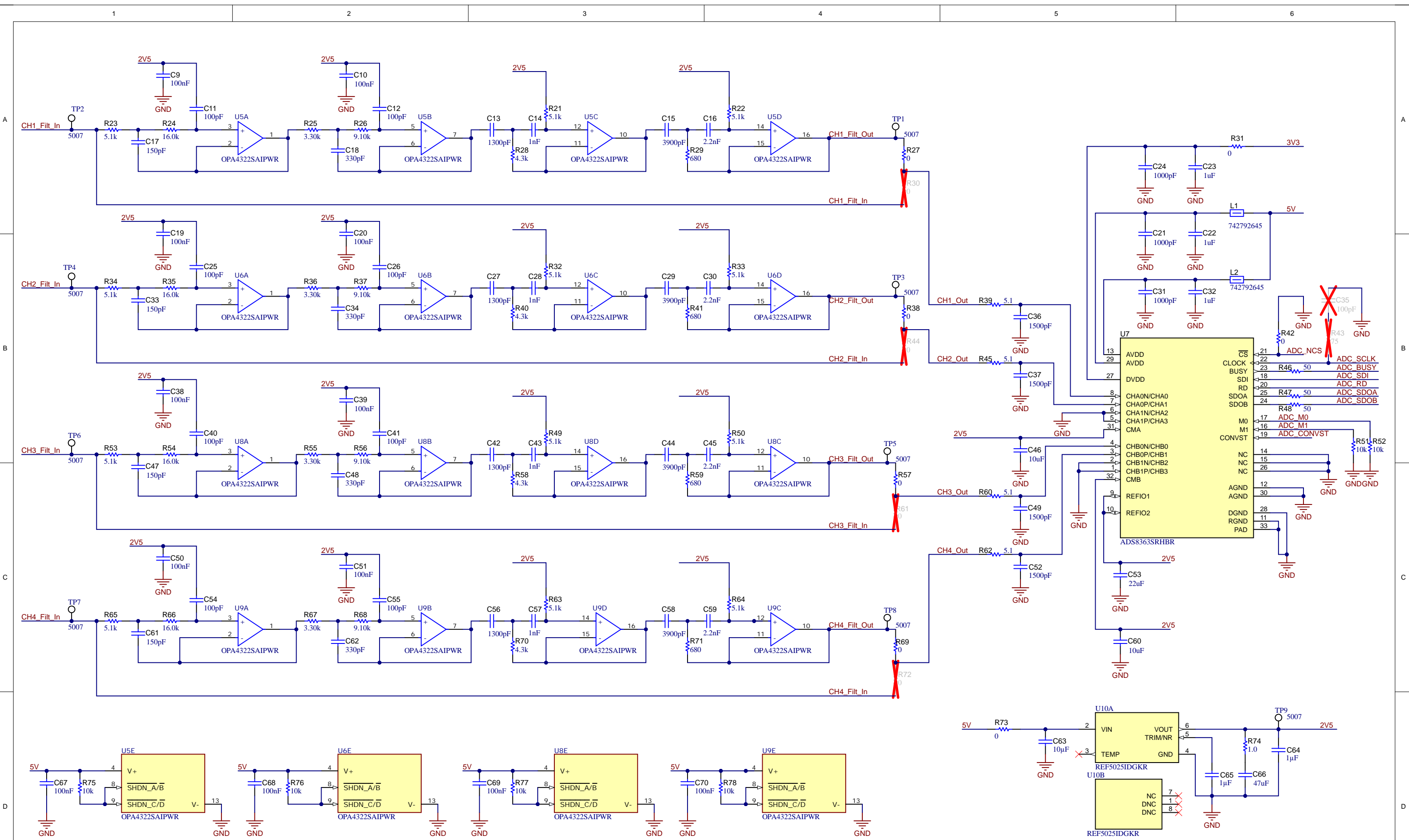
Texas Instruments and/or its licensors do not warrant the accuracy or completeness of this specification or any information contained therein. Texas Instruments and/or its licensors do not warrant that this design will meet the specifications, will be suitable for your application or fit for any particular purpose, or will operate in an implementation. Texas Instruments and/or its licensors do not warrant that the design is production worthy. You should completely validate and test your design implementation to confirm the system functionality for your application.

Orderable: N/A	Designed for: Public Release	Mod. Date: 01-Jul-22
TID #: TIDA-010231	Project Title: TIDA-010231	
Number: TIDA-010231	Rev: E1	Sheet Title: Power
SVN Rev: Not in version control	Assembly Variant: 001	Sheet: 2 of 6
Drawn By: Andreas Lechner	File: TIDA-010231_Power.SchDoc	Size: B
Engineer: Andreas Lechner	Contact: http://www.ti.com/support	



Texas Instruments and/or its licensors do not warrant the accuracy or completeness of this specification or any information contained therein. Texas Instruments and/or its licensors do not warrant that this design will meet the specifications, will be suitable for your application or fit for any particular purpose, or will operate in an implementation. Texas Instruments and/or its licensors do not warrant that the design is production worthy. You should completely validate and test your design implementation to confirm the system functionality for your application.

Orderable: N/A	Designed for: Public Release	Mod. Date: 01-Jul-22
TID #: TIDA-010231	Project Title: TIDA-010231	
Number: TIDA-010231 Rev: E1	Sheet Title: Current Transformer	
SVN Rev: Not in version control	Assembly Variant: 001	Sheet: 3 of 6
Drawn By: Andreas Lechner	File: TIDA-010231_Current_Transformer.SchDoc	Size: B
Engineer: Andreas Lechner	Contact: http://www.ti.com/support	

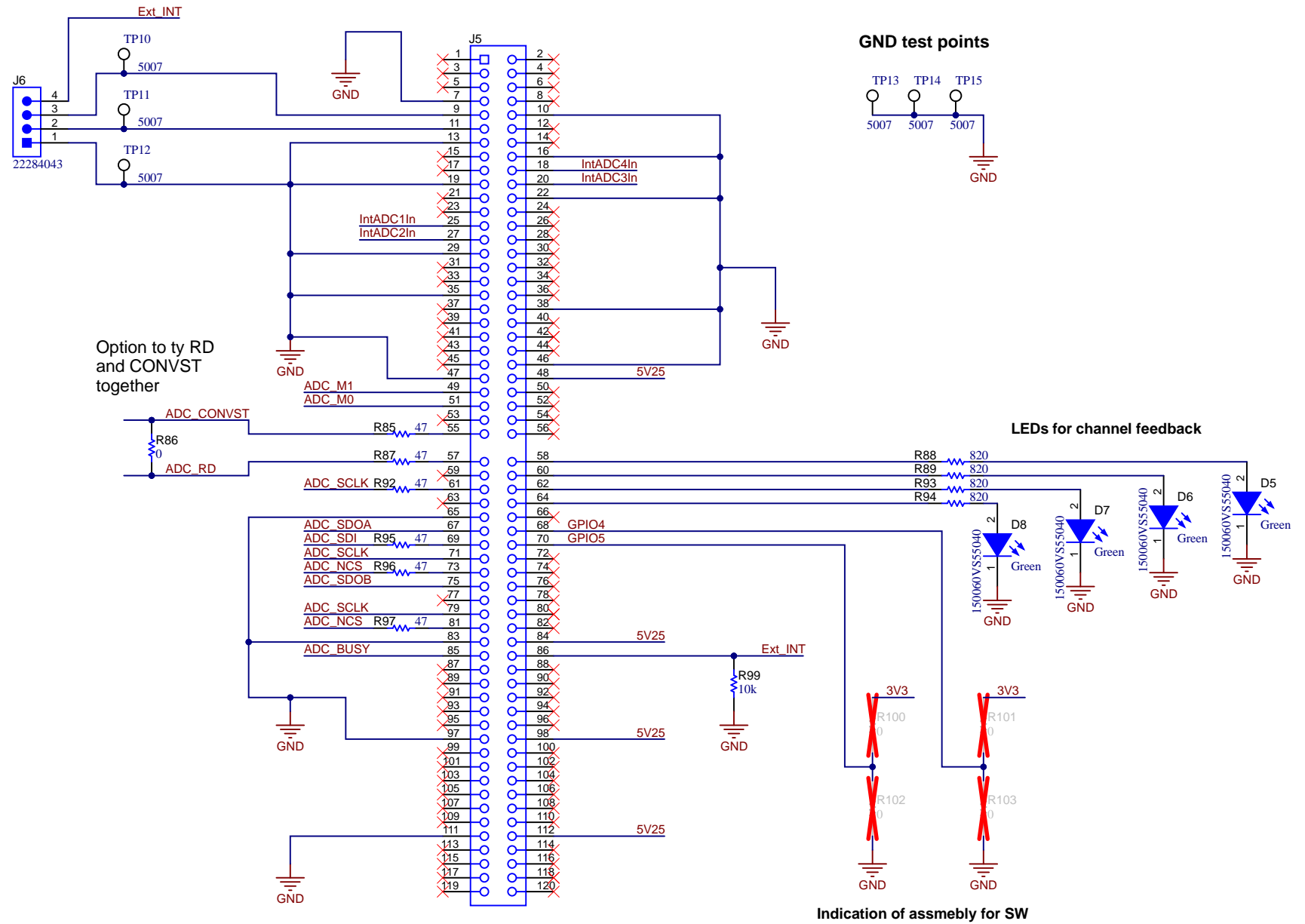
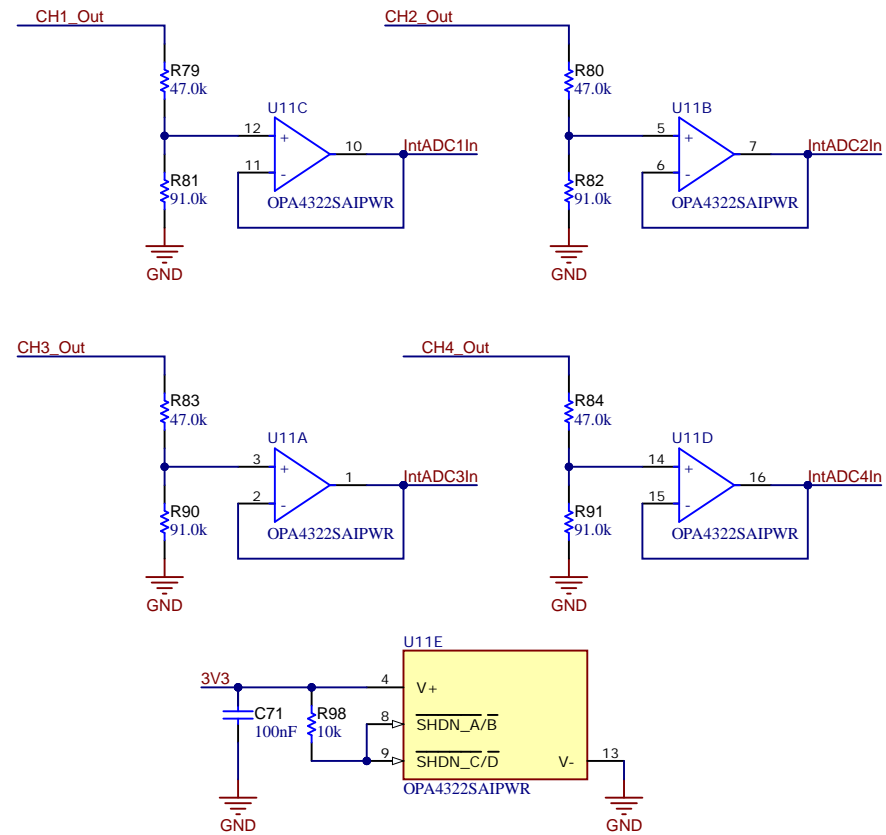


Texas Instruments and/or its licensors do not warrant the accuracy or completeness of this specification or any information contained therein. Texas Instruments and/or its licensors do not warrant that this design will meet the specifications, will be suitable for your application or fit for any particular purpose, or will operate in an implementation. Texas Instruments and/or its licensors do not warrant that the design is production worthy. You should completely validate and test your design implementation to confirm the system functionality for your application.

Orderable: N/A	Designed for: Public Release	Mod. Date: 01-Jul-22
TID #: TIDA-010231	Project Title: TIDA-010231	
Number: TIDA-010231 Rev. E1	Sheet Title: Filter Stage and ADC	
SVN Rev: Not in version control	Assembly Variant: 001	Sheet: 4 of 6
Drawn By: Andreas Lechner	File: TIDA-010231_Filter_and_ADC.SchDoc	Size: B
Engineer: Andreas Lechner	Contact: http://www.ti.com/support	



5V to 3.3V level translation if internal ADC shall be used



Texas Instruments and/or its licensors do not warrant the accuracy or completeness of this specification or any information contained therein. Texas Instruments and/or its licensors do not warrant that this design will meet the specifications, will be suitable for your application or fit for any particular purpose, or will operate in an implementation. Texas Instruments and/or its licensors do not warrant that the design is production worthy. You should completely validate and test your design implementation to confirm the system functionality for your application.

Orderable: N/A	Designed for: Public Release	Mod. Date: 01-Jul-22
TID #: TIDA-010231	Project Title: TIDA-010231	
Number: TIDA-010231 Rev: E1	Sheet Title: Interface	
SVN Rev: Not in version control	Assembly Variant: 001	Sheet: 5 of 6
Drawn By: Andreas Lechner	File: TIDA-010231_Interface.SchDoc	Size: B
Engineer: Andreas Lechner	Contact: http://www.ti.com/support	



H1 NY PMS 440 0025 PH
 H2 NY PMS 440 0025 PH
 H3 NY PMS 440 0025 PH
 H4 NY PMS 440 0025 PH

H5 1902C
 H6 1902C
 H7 1902C
 H8 1902C

FID1 Fiducial
 FID2 Fiducial
 FID3 Fiducial
 FID4 Fiducial
 FID5 Fiducial
 FID6 Fiducial

PCB Number: TIDA-010231
 PCB Rev: E1

PCB LOGO Texas Instruments
 PCB LOGO FCC disclaimer
 PCB LOGO WEEE logo



Variant/Label Table	
Variant	Label Text
001	ChangeMe!
002	ChangeMe!

LBL1
PCB Label
 THT-14-423-10
 Size: 0.65" x 0.20"

ZZ1
Label Assembly Note
 This Assembly Note is for PCB labels only

ZZ2
Assembly Note
 These assemblies are ESD sensitive. ESD precautions shall be observed.

ZZ3
Assembly Note
 These assemblies must be clean and free from flux and all contaminants. Use of no clean flux is not acceptable.

ZZ4
Assembly Note
 These assemblies must comply with workmanship standards IPC-A-610 Class 2, unless otherwise specified.

Texas Instruments and/or its licensors do not warrant the accuracy or completeness of this specification or any information contained therein. Texas Instruments and/or its licensors do not warrant that this design will meet the specifications, will be suitable for your application or fit for any particular purpose, or will operate in an implementation. Texas Instruments and/or its licensors do not warrant that the design is production worthy. You should completely validate and test your design implementation to confirm the system functionality for your application.

Orderable: N/A	Designed for: Public Release	Mod. Date: 01-Jul-22
TID #: TIDA-010231	Project Title: TIDA-010231	
Number: TIDA-010231 Rev: E1	Sheet Title: Hardware	
SVN Rev: Not in version control	Assembly Variant: 001	Sheet: 6 of 6
Drawn By: Andreas Lechner	File: TIDA-010231_Hardware.SchDoc	Size: B
Engineer: Andreas Lechner	Contact: http://www.ti.com/support	



© Texas Instruments 2022

IMPORTANT NOTICE AND DISCLAIMER

TI PROVIDES TECHNICAL AND RELIABILITY DATA (INCLUDING DATA SHEETS), DESIGN RESOURCES (INCLUDING REFERENCE DESIGNS), APPLICATION OR OTHER DESIGN ADVICE, WEB TOOLS, SAFETY INFORMATION, AND OTHER RESOURCES "AS IS" AND WITH ALL FAULTS, AND DISCLAIMS ALL WARRANTIES, EXPRESS AND IMPLIED, INCLUDING WITHOUT LIMITATION ANY IMPLIED WARRANTIES OF MERCHANTABILITY, FITNESS FOR A PARTICULAR PURPOSE OR NON-INFRINGEMENT OF THIRD PARTY INTELLECTUAL PROPERTY RIGHTS.

These resources are intended for skilled developers designing with TI products. You are solely responsible for (1) selecting the appropriate TI products for your application, (2) designing, validating and testing your application, and (3) ensuring your application meets applicable standards, and any other safety, security, regulatory or other requirements.

These resources are subject to change without notice. TI grants you permission to use these resources only for development of an application that uses the TI products described in the resource. Other reproduction and display of these resources is prohibited. No license is granted to any other TI intellectual property right or to any third party intellectual property right. TI disclaims responsibility for, and you will fully indemnify TI and its representatives against, any claims, damages, costs, losses, and liabilities arising out of your use of these resources.

TI's products are provided subject to [TI's Terms of Sale](#) or other applicable terms available either on ti.com or provided in conjunction with such TI products. TI's provision of these resources does not expand or otherwise alter TI's applicable warranties or warranty disclaimers for TI products.

TI objects to and rejects any additional or different terms you may have proposed.

Mailing Address: Texas Instruments, Post Office Box 655303, Dallas, Texas 75265
Copyright © 2022, Texas Instruments Incorporated