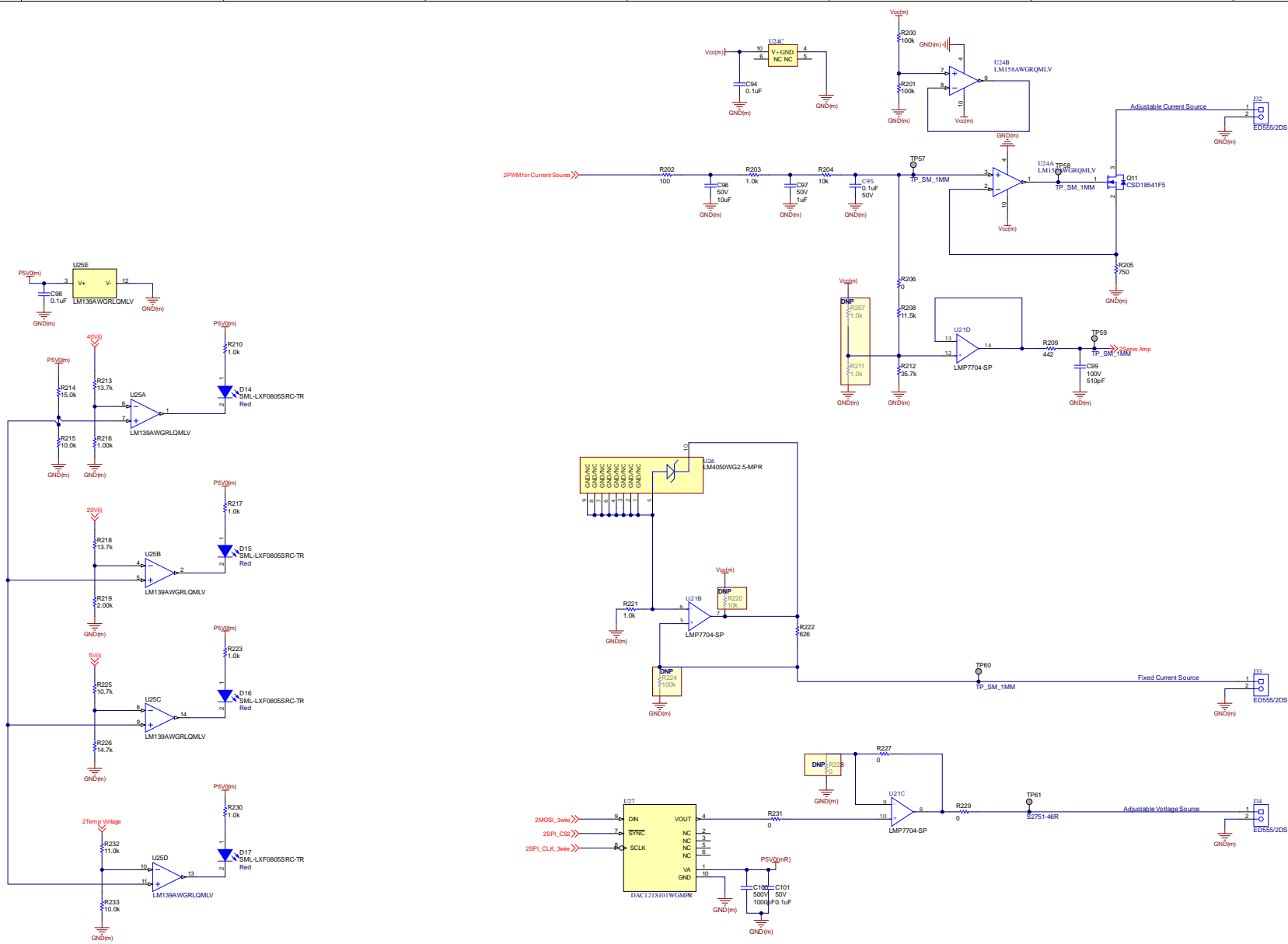


| | | |
|---------------------------------|---|--------------------------|
| Orderable: TIDA-010297 | Designed for Public Release | Mod. Date: 7/14/2021 |
| Number: TIDA-010297 Rev. E1 | Project Title: Versatile Satellite Health Monitoring and Control Platform | Sheet Title: |
| SVN Rev: Not in version control | Assembly Variant: (No Variations) | Sheet: 1 of 7 |
| Drawn By: [Redacted] | File: TIDA-010297_PowerManagement_A001_SchDoc | Size: A2 |
| Engineer: Venushu Albert Lio | Content: http://www.ti.com/legal | © Texas Instruments 2021 |

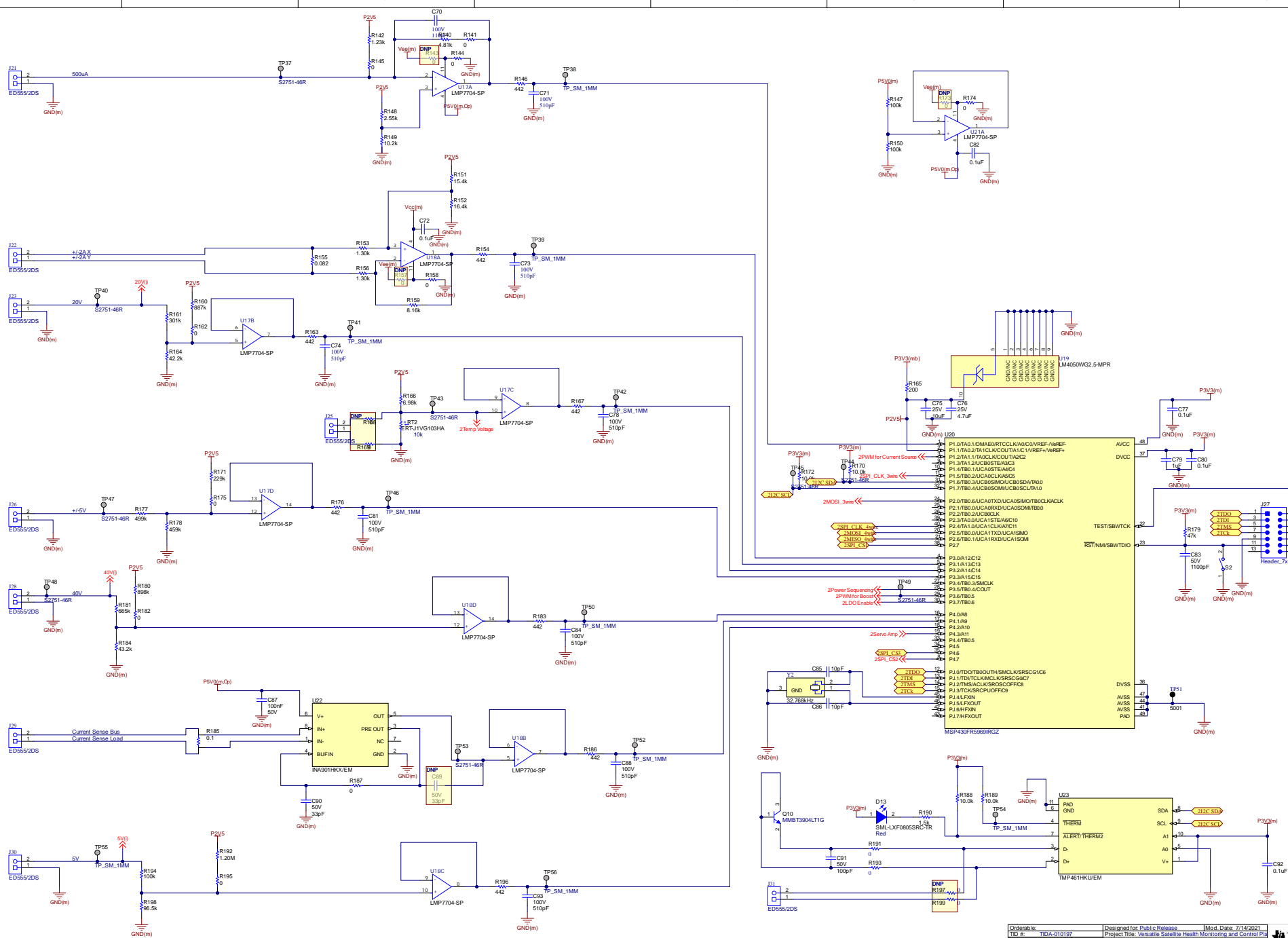
Texas Instruments and/or its licensors do not warrant the accuracy or completeness of this specification or any information contained therein. Texas Instruments and/or its licensors do not warrant that this design will meet the specifications, will be suitable for your application or fit for any particular purpose, or will operate in an implementation. Texas Instruments and/or its licensors do not warrant that the design is free from patent infringement. You should do your own patent research and validate and test your design implementation on your own system responsibility for your application.



Texas Instruments and/or its licensors do not warrant the accuracy or completeness of this specification or any information contained therein. Texas Instruments and/or its licensors do not warrant that this design will meet the specifications, will be suitable for your application or fit for any particular purpose, or will operate in an implementation. Texas Instruments and/or its licensors do not warrant that the design is a complete system. You should completely validate and test your design implementation on its own from the system responsibility for your application.

| | | |
|------------|--|---|
| Orderable: | Designed for Public Release | Mod. Date: 7/14/2021 |
| TID #: | TIDA-010297 | Project Title: Versatile Satellite Health Monitoring and Control Platform |
| Number: | TIDA-010297 Rev. E1 | Sheet Title: |
| SVN Rev.: | Not in version control | Assembly Variant: (No Variations) |
| Drawn By: | File: TIDA-010297_Outcome_External_ACG_SchDoc1 | Sheet: 2 of 7 |
| Engineer: | Wenshu Albert Li | http://www.ti.com |

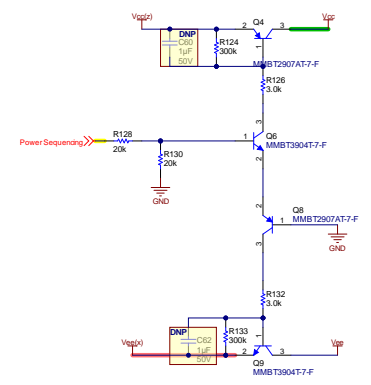
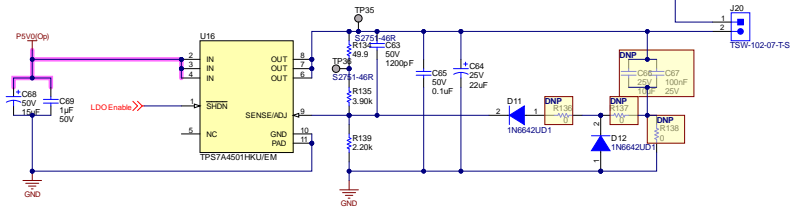
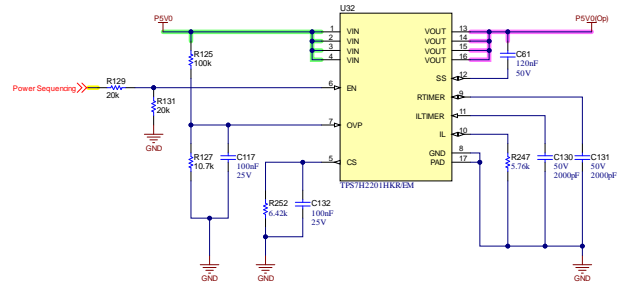
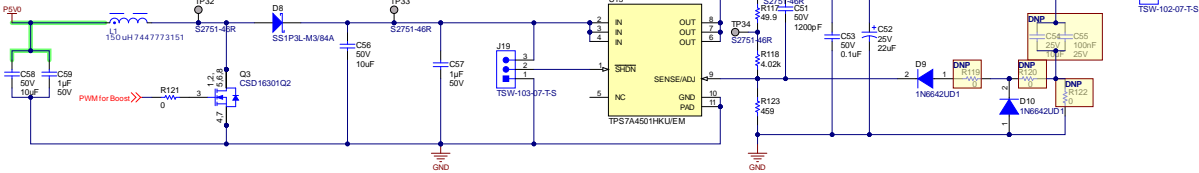
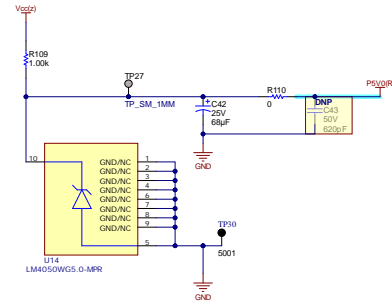
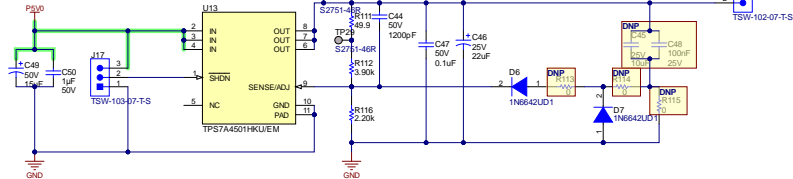
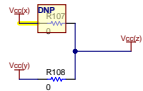
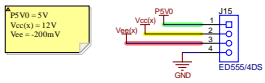


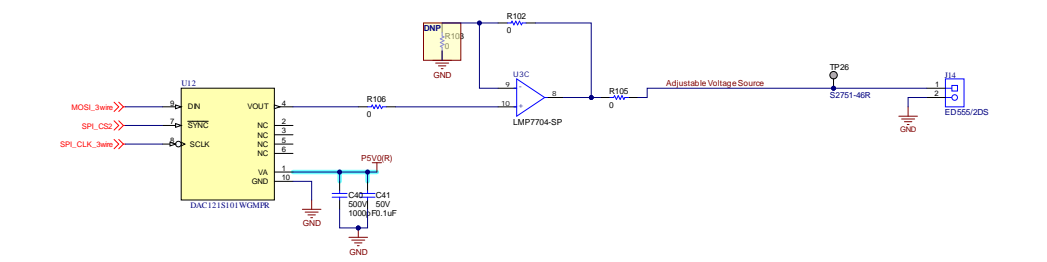
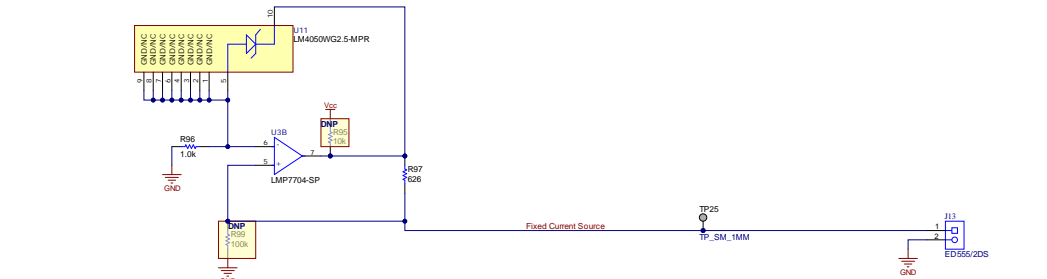
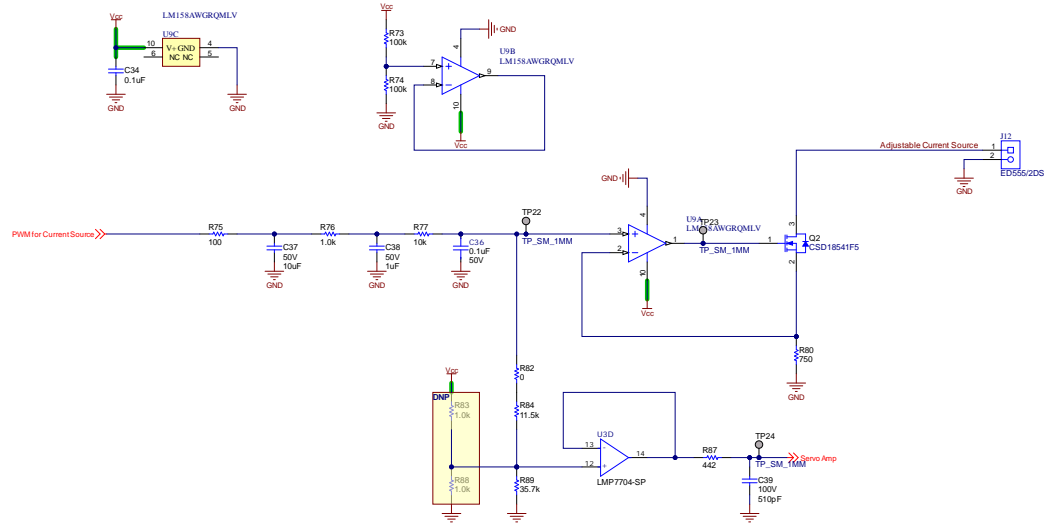
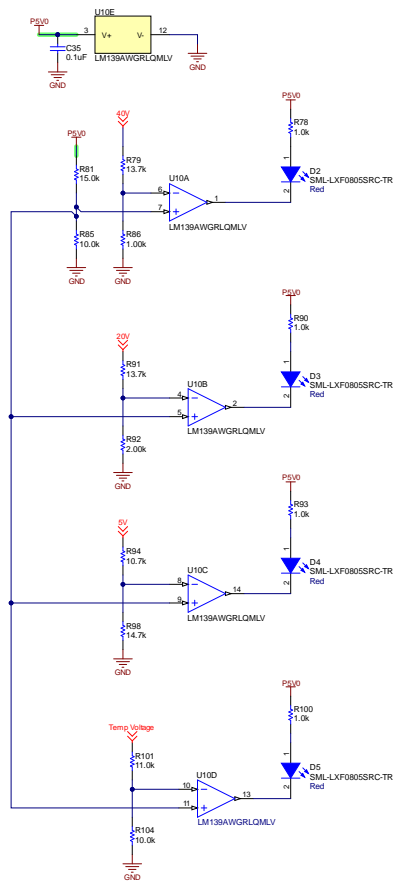


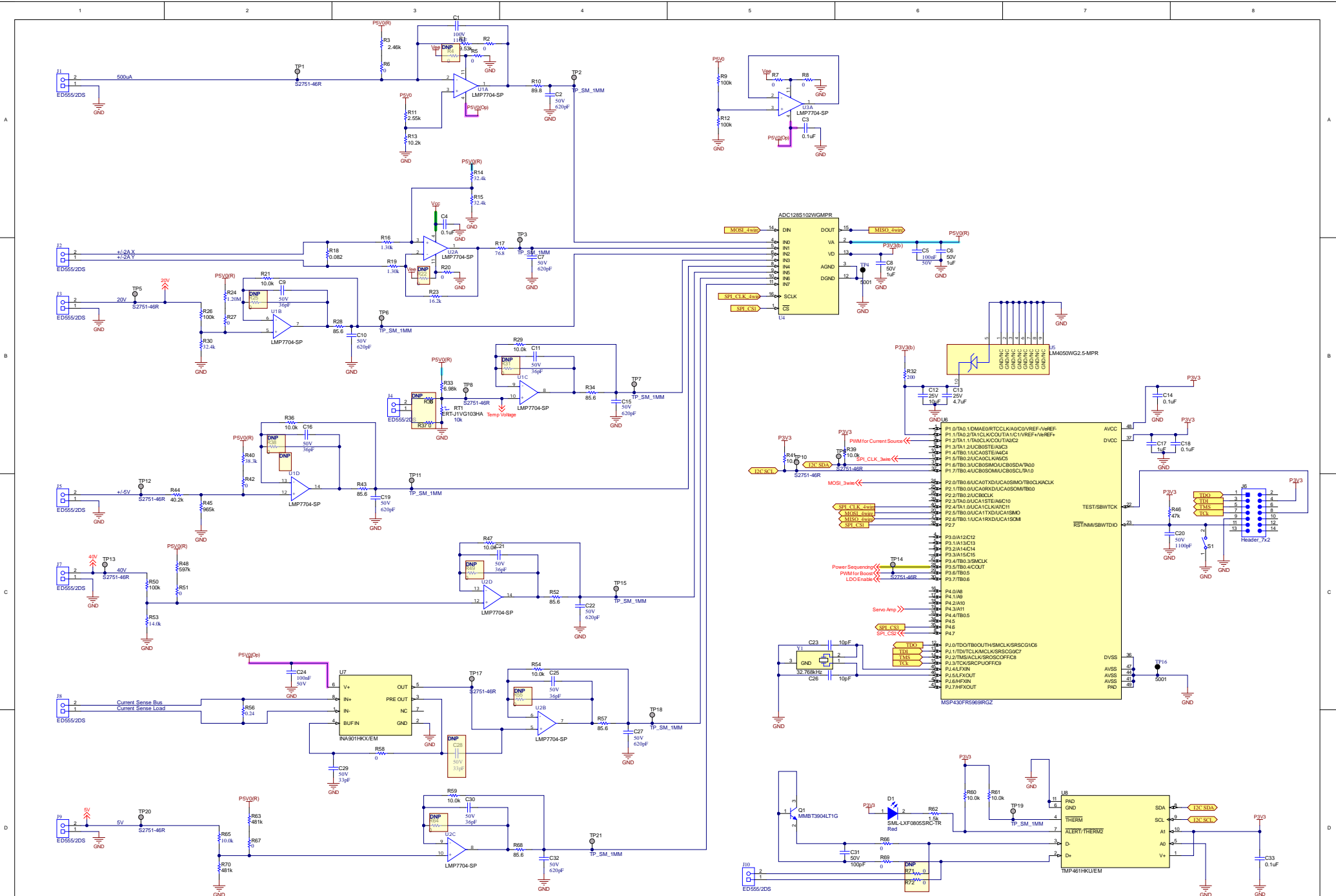
| | | |
|------------|--|---|
| Orderable: | Designed for Public Release | Mod. Date: 7/14/2021 |
| TD #: | TEDA-010297 | Project Title: Versatile Satellite Health Monitoring and Control Plat |
| Number: | TDA-010297 Rev. E1 | Sheet Title: |
| SVN Rev: | Not in version control | Assembly Variant: (No Variations) |
| Drawn By: | File: TDA-010297_APC_Basic_Sch.Doc | Sheet: 3 of 7 |
| Engineer: | Wenshu Albert Li | Size: A2 |
| | Contact: http://www.ti.com/contact | http://www.ti.com |

Texas Instruments and/or its licensors do not warrant the accuracy or completeness of this specification or any information contained therein. Texas Instruments and/or its licensors do not warrant that this design will meet the specifications, will be suitable for your application or fit for any particular purpose, or will operate in an implementation. Texas Instruments and/or its licensors do not warrant that the design will function without modification. You should completely validate and test your design implementation on your own system. <http://www.ti.com/legal>









Orderable: TDA-010197 Designed for Public Release Mod. Date: 7/14/2021
 Part Number: TDA-010197 Rev: E1 Project Title: Versatile Satellite Health Monitoring and Control Sys
 Sheet Title: Assembly Layout - Sub-Functional File: TDA-010197_AFE_SchDoc Sheet 6 of 7
 © Texas Instruments 2018 www.ti.com

Texas Instruments and/or its licensors do not warrant the accuracy or completeness of this specification or any information contained therein. Texas Instruments and/or its licensors do not warrant that this design will meet the specifications, will be suitable for your application or fit for any particular purpose, or will operate in an implementation. Texas Instruments and/or its licensors do not warrant that the design is production worthy. You should completely validate and test your design implementation to confirm the system functionality for your application.

Engineer: Wenchau Albert Lo Contact: http://www.ti.com/support

H1 1 NY PMS 440 0025 PH H2 1 NY PMS 440 0025 PH H3 1 NY PMS 440 0025 PH H4 1 NY PMS 440 0025 PH H5 1 NY PMS 440 0025 PH H6 1 NY PMS 440 0025 PH H7 1 NY PMS 440 0025 PH H8 1 NY PMS 440 0025 PH

H13 1902C H14 1902C H15 1902C H16 1902C H17 1902C H18 1902C H19 1902C H20 1902C

H9 SJ-5303 (CLEAR) H10 SJ-5303 (CLEAR) H11 SJ-5303 (CLEAR) H12 SJ-5303 (CLEAR)

FID1 FID2 FID3 FID4 FID5 FID6 FID7 FID8 FID9 FID10 FID11 FID12

PCB Number: TIDA-010197
PCB Rev: E1

PCB LOGO
Texas Instruments

CE Mark

PCB LOGO
FCC disclaimer

PCB LOGO
WEEE logo

A

You should delete the nylon screws/standoffs and/or the bumpers as needed for your design (or substitute other parts from Hardware.IntLib). Bumpers are cheaper, but provide less clearance.

Deleting anything else from this page may result in your EVM submission being rejected (until you add them back).

Update the Label Text in the Label Table as needed for each Assembly Variant.

You should delete this note too.

| Variant/Label Table | |
|---------------------|------------|
| Variant | Label Text |
| 001 | ChangeMe! |
| 002 | ChangeMe! |
| | |
| | |
| | |
| | |

LBL1
PCB Label
THT-14-423-10
Size: 0.65" x 0.20"

ZZ1
Label Assembly Note
This Assembly Note is for PCB labels only

ZZ2
Assembly Note
These assemblies are ESD sensitive, ESD precautions shall be observed.

ZZ3
Assembly Note
These assemblies must be clean and free from flux and all contaminants. Use of no clean flux is not acceptable.

ZZ4
Assembly Note
These assemblies must comply with workmanship standards IPC-A-610 Class 2, unless otherwise specified.

Texas Instruments and/or its licensors do not warrant the accuracy or completeness of this specification or any information contained therein. Texas Instruments and/or its licensors do not warrant that this design will meet the specifications, will be suitable for your application or fit for any particular purpose, or will operate in an implementation. Texas Instruments and/or its licensors do not warrant that the design is production worthy. You should completely validate and test your design implementation to confirm the system functionality for your application.

| | | |
|---------------------------------|--|----------------------|
| Orderable: | Designed for: Public Release | Mod. Date: 7/14/2021 |
| TID #: TIDA-010197 | Project Title: Versatile Satellite Health Monitoring and Control Plat | |
| Number: TIDA-010197 Rev: E1 | Sheet Title: | |
| SVN Rev: Not in version control | Assembly Variant: [No Variations] | Sheet: 7 of 7 |
| Drawn By: | File: TIDA-010197 Hardware.SchDoc | Size: B |
| Engineer: Wenchau Albert Lo | Contact: http://www.ti.com/support | |

TEXAS INSTRUMENTS
<http://www.ti.com>
©Texas Instruments 2018

IMPORTANT NOTICE AND DISCLAIMER

TI PROVIDES TECHNICAL AND RELIABILITY DATA (INCLUDING DATASHEETS), DESIGN RESOURCES (INCLUDING REFERENCE DESIGNS), APPLICATION OR OTHER DESIGN ADVICE, WEB TOOLS, SAFETY INFORMATION, AND OTHER RESOURCES "AS IS" AND WITH ALL FAULTS, AND DISCLAIMS ALL WARRANTIES, EXPRESS AND IMPLIED, INCLUDING WITHOUT LIMITATION ANY IMPLIED WARRANTIES OF MERCHANTABILITY, FITNESS FOR A PARTICULAR PURPOSE OR NON-INFRINGEMENT OF THIRD PARTY INTELLECTUAL PROPERTY RIGHTS.

These resources are intended for skilled developers designing with TI products. You are solely responsible for (1) selecting the appropriate TI products for your application, (2) designing, validating and testing your application, and (3) ensuring your application meets applicable standards, and any other safety, security, or other requirements. These resources are subject to change without notice. TI grants you permission to use these resources only for development of an application that uses the TI products described in the resource. Other reproduction and display of these resources is prohibited. No license is granted to any other TI intellectual property right or to any third party intellectual property right. TI disclaims responsibility for, and you will fully indemnify TI and its representatives against, any claims, damages, costs, losses, and liabilities arising out of your use of these resources.

TI's products are provided subject to TI's Terms of Sale (<https://www.ti.com/legal/termsofsale.html>) or other applicable terms available either on [ti.com](https://www.ti.com) or provided in conjunction with such TI products. TI's provision of these resources does not expand or otherwise alter TI's applicable warranties or warranty disclaimers for TI products.

Mailing Address: Texas Instruments, Post Office Box 655303, Dallas, Texas 75265
Copyright © 2021, Texas Instruments Incorporated