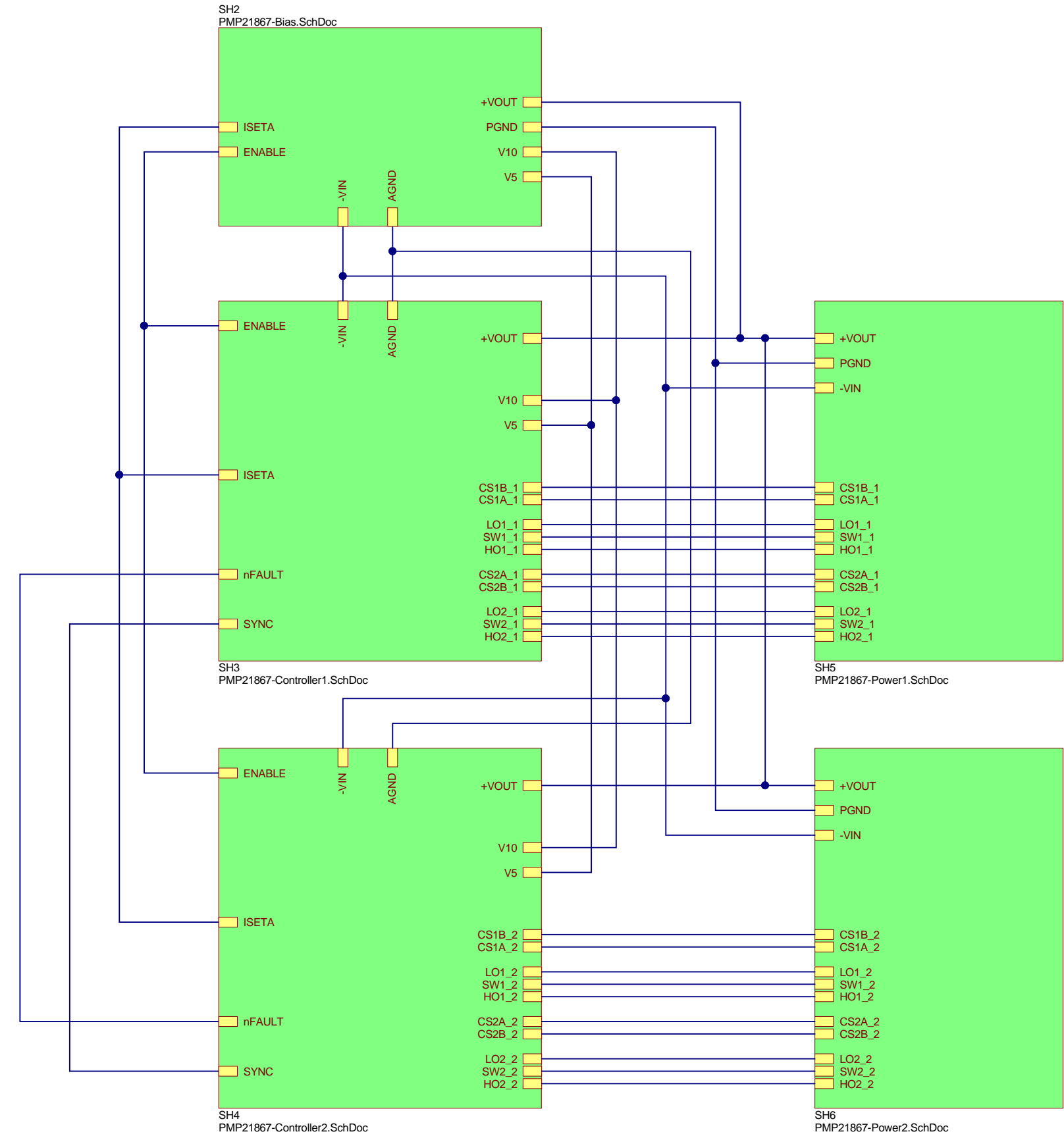
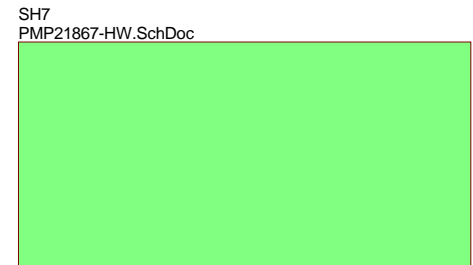


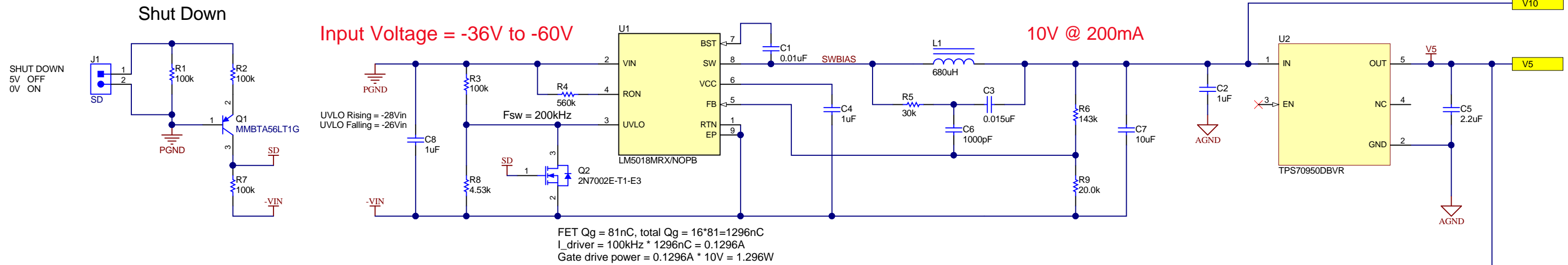
Revision History	
Revision	Notes
B	Change COMP values



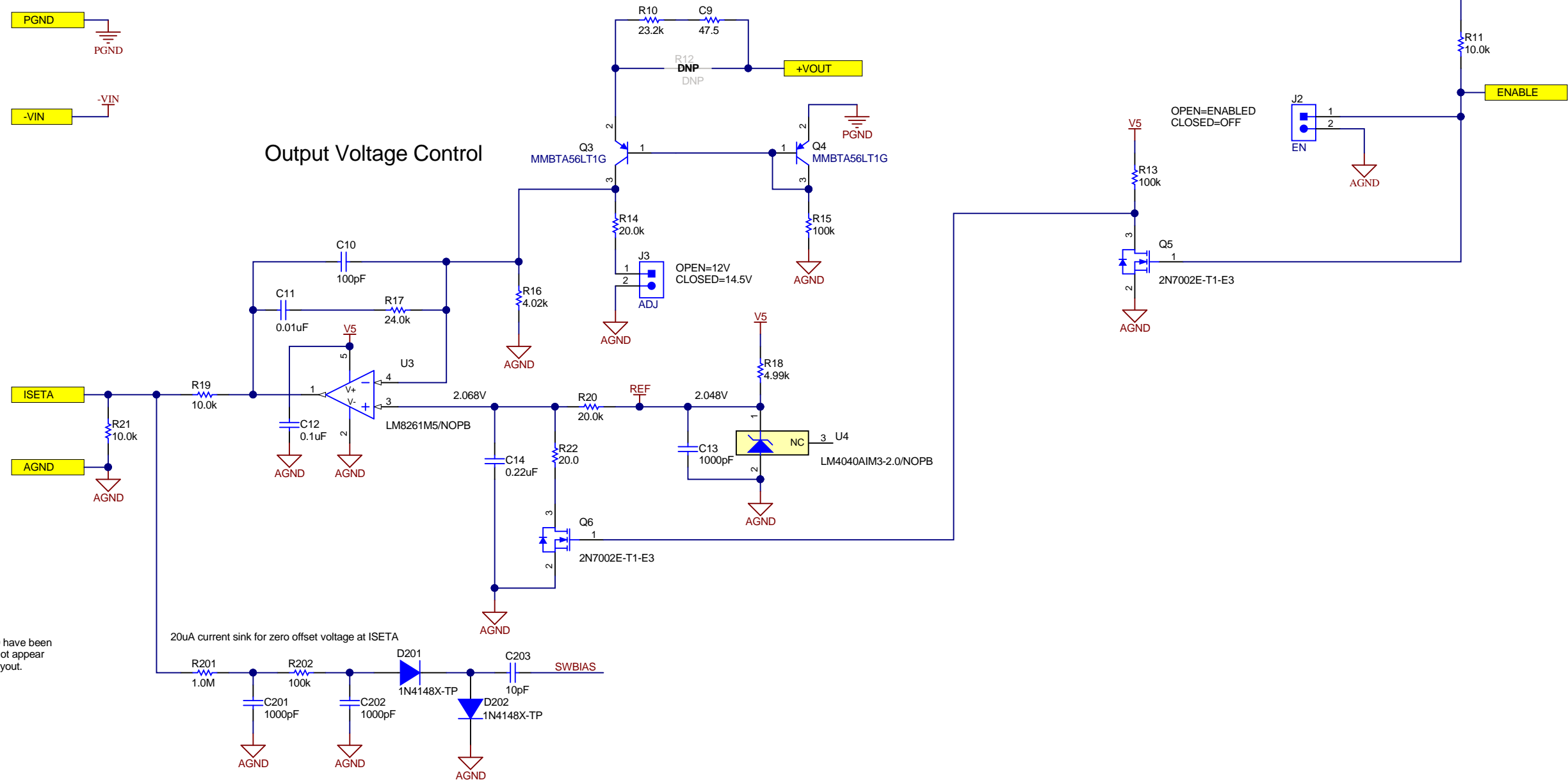
Texas Instruments and/or its licensors do not warrant the accuracy or completeness of this specification or any information contained therein. Texas Instruments and/or its licensors do not warrant that this design will meet the specifications, will be suitable for your application or fit for any particular purpose, or will operate in an implementation. Texas Instruments and/or its licensors do not warrant that the design is production worthy. You should completely validate and test your design implementation to confirm the system functionality for your application.

Orderable: N/A	Designed for: Public Release	Mod. Date: 8/7/2019	 http://www.ti.com © Texas Instruments 2018
TID #: PMP21867	Project Title: LM5170 Negative-to-Positive Buck-Boost	Sheet: 1 of 7	
Number: PMP21867	Rev: B	Size: B	
SVN Rev: Not in version control	Assembly Variant: 001		
Drawn By:	File: PMP21867-Cover.SchDoc		
Engineer: R. Sheehan	Contact: http://www.ti.com/support		

Bias Power for Gate Drivers and LM5170 Controllers



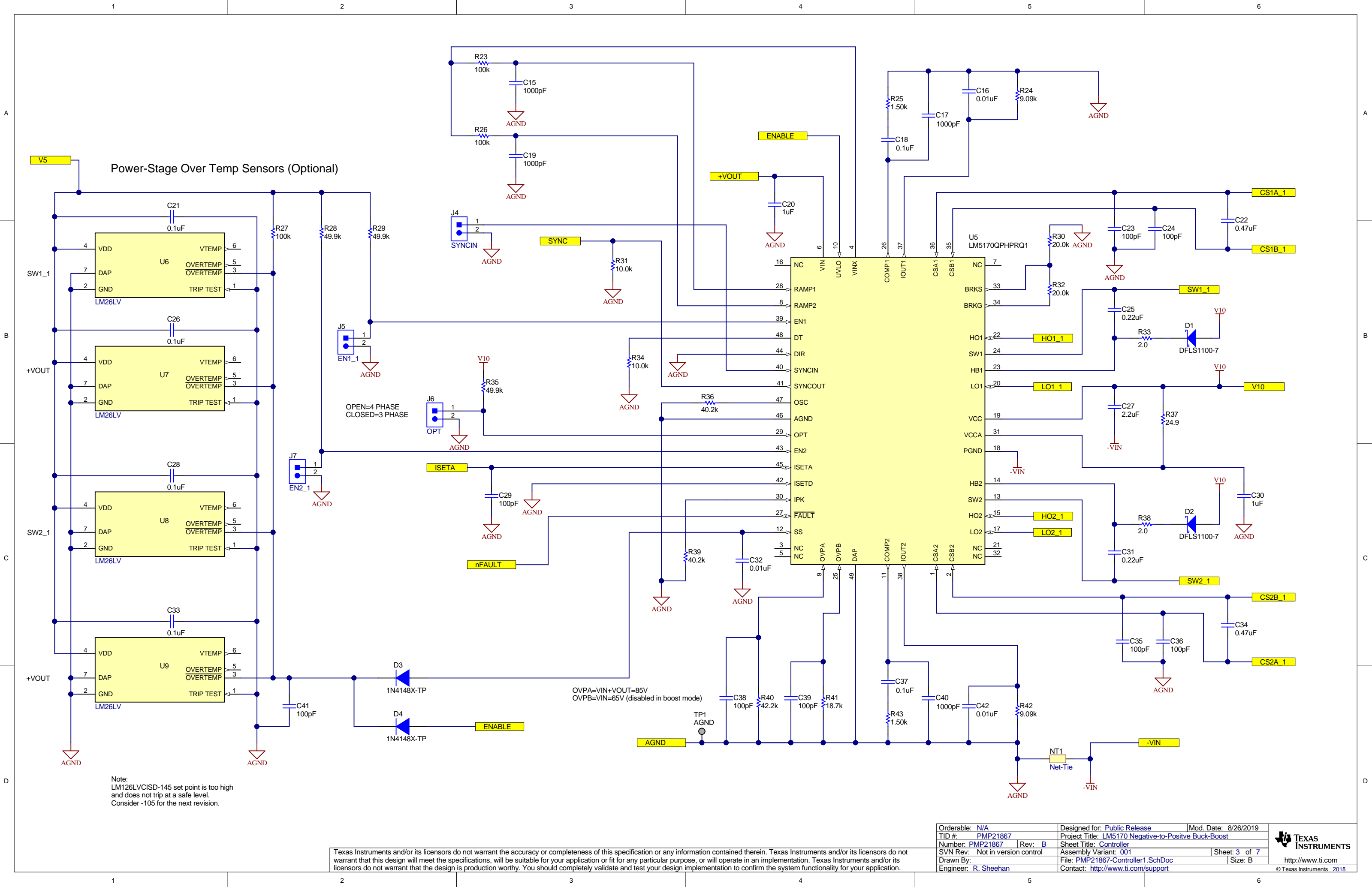
Output Voltage Control



Note:
Reference designators > 200 have been added to the design and do not appear on the printed circuit board layout.

Texas Instruments and/or its licensors do not warrant the accuracy or completeness of this specification or any information contained therein. Texas Instruments and/or its licensors do not warrant that this design will meet the specifications, will be suitable for your application or fit for any particular purpose, or will operate in an implementation. Texas Instruments and/or its licensors do not warrant that the design is production worthy. You should completely validate and test your design implementation to confirm the system functionality for your application.

Orderable: N/A	Designed for: Public Release	Mod. Date: 8/8/2019
TID #: PMP21867	Project Title: LM5170 Negative-to-Positive Buck-Boost	
Number: PMP21867	Rev: B	Sheet Title: Bias Supply
SVN Rev: Not in version control	Assembly Variant: 001	Sheet: 2 of 7
Drawn By:	File: PMP21867-Bias.SchDoc	Size: B
Engineer: R. Sheehan	Contact: http://www.ti.com/support	



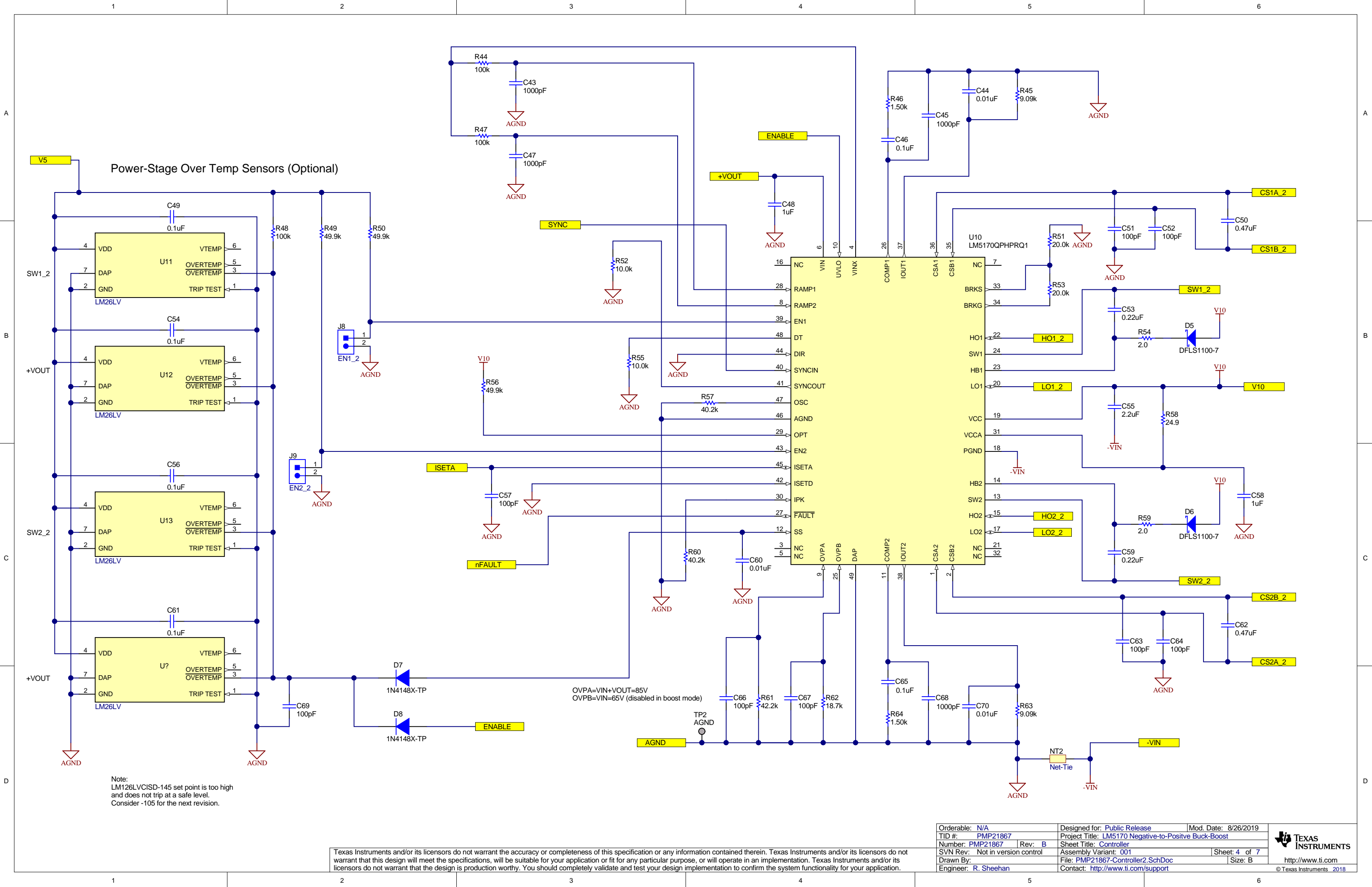
Power-Stage Over Temp Sensors (Optional)

Note:
LM126LVCISD-145 set point is too high
and does not trip at a safe level.
Consider -105 for the next revision.

Orderable: N/A	Designed for: Public Release	Mod. Date: 8/26/2019
TID #: PMP21867	Project Title: LM5170 Negative-to-Positive Buck-Boost	
Number: PMP21867	Rev: B	Sheet Title: Controller
SVN Rev: Not in version control	Assembly Variant: 001	Sheet: 3 of 7
Drawn By:	File: PMP21867-Controller1.SchDoc	Size: B
Engineer: R. Sheehan	Contact: http://www.ti.com/support	

Texas Instruments and/or its licensors do not warrant the accuracy or completeness of this specification or any information contained therein. Texas Instruments and/or its licensors do not warrant that this design will meet the specifications, will be suitable for your application or fit for any particular purpose, or will operate in an implementation. Texas Instruments and/or its licensors do not warrant that the design is production worthy. You should completely validate and test your design implementation to confirm the system functionality for your application.





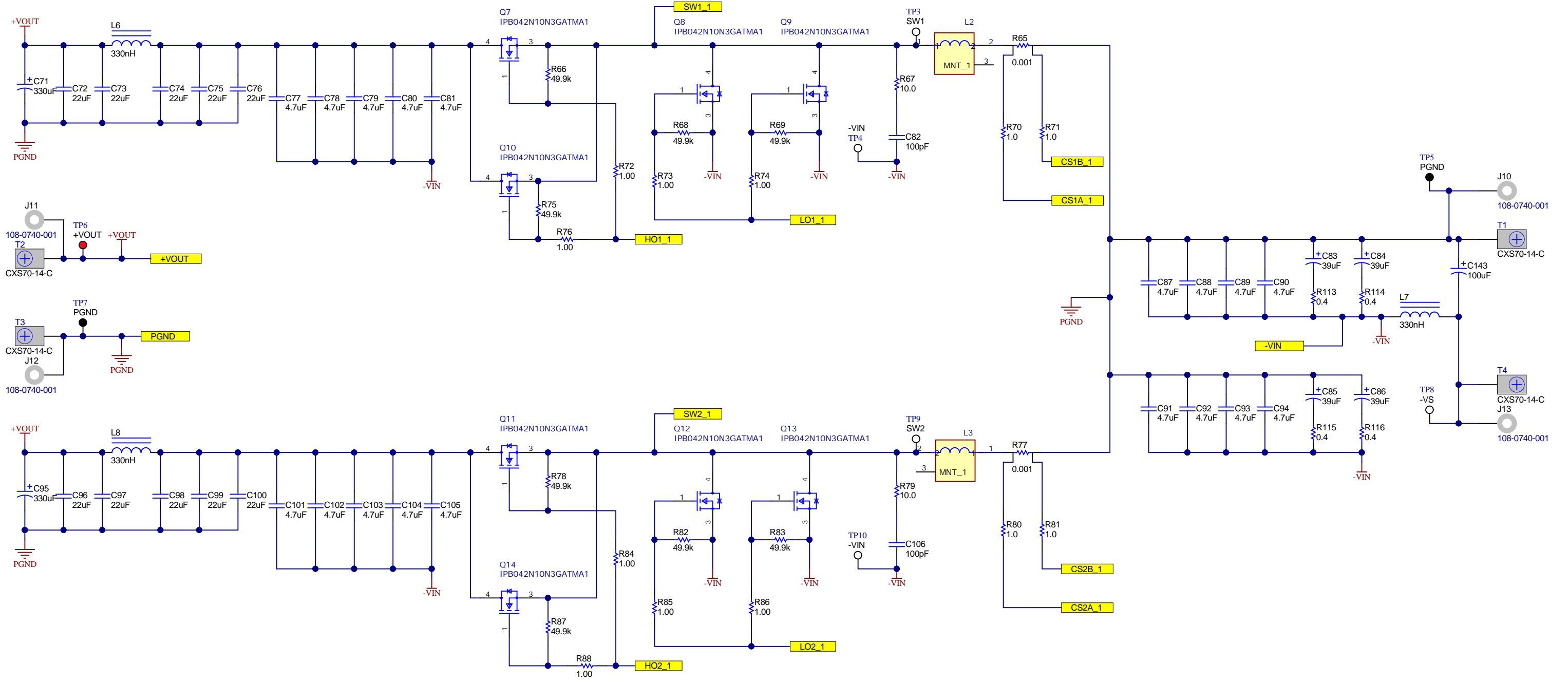
Power-Stage Over Temp Sensors (Optional)

Note:
 LM126LVCISD-145 set point is too high
 and does not trip at a safe level.
 Consider -105 for the next revision.

Orderable: N/A	Designed for: Public Release	Mod. Date: 8/26/2019
TID #: PMP21867	Project Title: LM5170 Negative-to-Positive Buck-Boost	
Number: PMP21867	Rev: B	Sheet Title: Controller
SVN Rev: Not in version control	Assembly Variant: 001	Sheet: 4 of 7
Drawn By:	File: PMP21867-Controller2.SchDoc	Size: B
Engineer: R. Sheehan	Contact: http://www.ti.com/support	

Texas Instruments and/or its licensors do not warrant the accuracy or completeness of this specification or any information contained therein. Texas Instruments and/or its licensors do not warrant that this design will meet the specifications, will be suitable for your application or fit for any particular purpose, or will operate in an implementation. Texas Instruments and/or its licensors do not warrant that the design is production worthy. You should completely validate and test your design implementation to confirm the system functionality for your application.

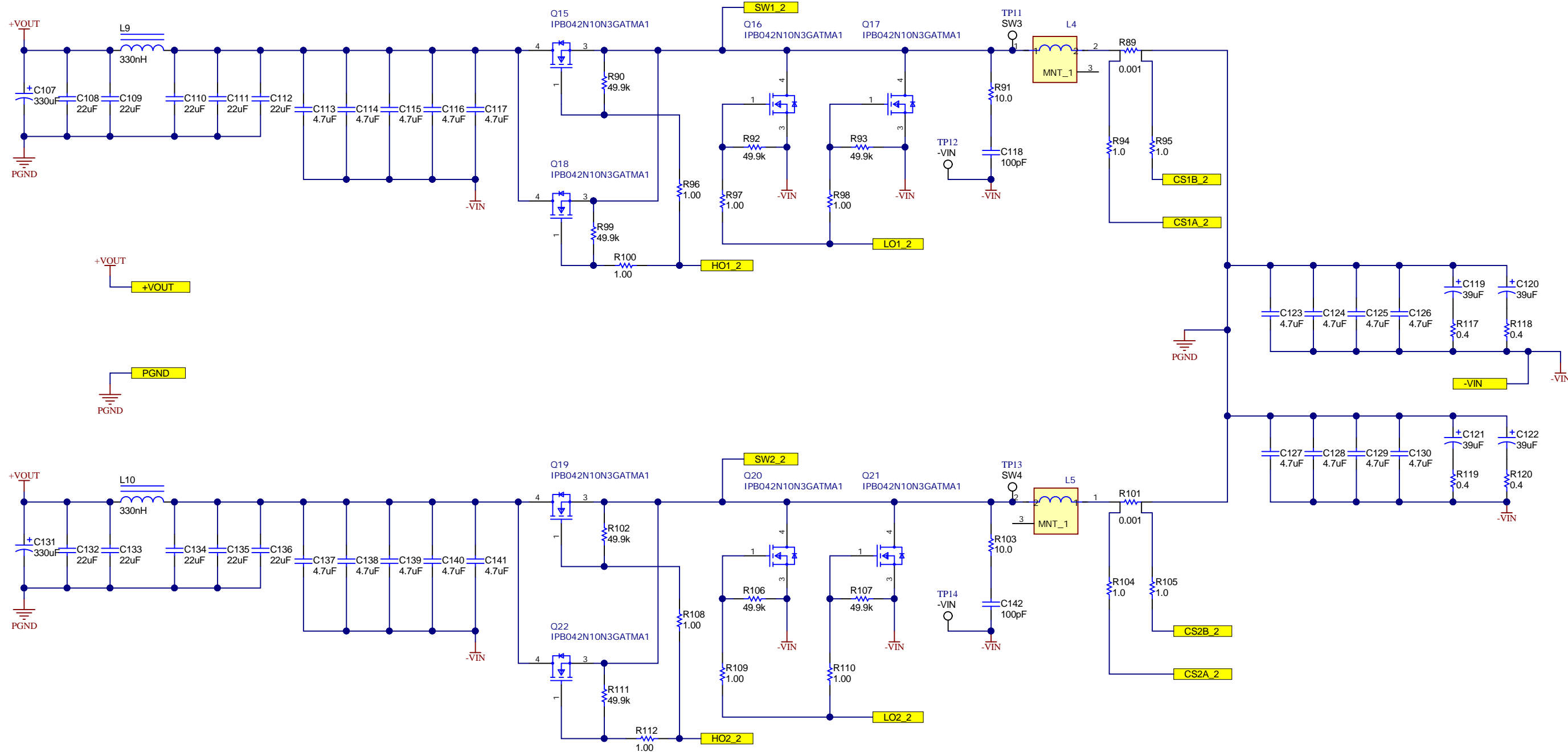




Texas Instruments and/or its licensors do not warrant the accuracy or completeness of this specification or any information contained therein. Texas Instruments and/or its licensors do not warrant that this design will meet the specifications, will be suitable for your application or fit for any particular purpose, or will operate in an implementation. Texas Instruments and/or its licensors do not warrant that the design is production worthy. You should completely validate and test your design implementation to confirm the system functionality for your application.

Orderable: N/A	Designed for: Public Release	Mod. Date: 8/22/2019
TID #: PMP21867	Project Title: LM5170 Negative-to-Positive Buck-Boost	
Number: PMP21867	Rev: B	Sheet Title: Power Stage
SVN Rev: Not in version control	Assembly Variant: 001	Sheet: 5 of 7
Drawn By:	File: PMP21867-Power1.SchDoc	Size: B
Engineer: R. Sheehan	Contact: http://www.ti.com/support	





Texas Instruments and/or its licensors do not warrant the accuracy or completeness of this specification or any information contained therein. Texas Instruments and/or its licensors do not warrant that this design will meet the specifications, will be suitable for your application or fit for any particular purpose, or will operate in an implementation. Texas Instruments and/or its licensors do not warrant that the design is production worthy. You should completely validate and test your design implementation to confirm the system functionality for your application.

Orderable: N/A	Designed for: Public Release	Mod. Date: 8/22/2019
TID #: PMP21867	Project Title: LM5170 Negative-to-Positive Buck-Boost	
Number: PMP21867	Rev: B	Sheet Title: Power Stage
SVN Rev: Not in version control	Assembly Variant: 001	Sheet 6 of 7
Drawn By:	File: PMP21867-Power2.SchDoc	Size: B
Engineer: R. Sheehan	Contact: http://www.ti.com/support	

H1 NY PMS 440 0025 PH
 H2 NY PMS 440 0025 PH
 H3 NY PMS 440 0025 PH
 H4 NY PMS 440 0025 PH

H5 Nut
 H6 Nut
 H7 Nut
 H8 Nut

FID1
 FID2
 FID3

PCB Number: PMP21867
 PCB Rev: A

PCB
 LOGO
 FCC disclaimer



Label Table

Variant	Label Text
001	LM5170 Buck-Boost

LBL1
 PCB Label
 Label

ZZ1
 Label Assembly Note
 This Assembly Note is for PCB labels only

ZZ2
 Assembly Note
 These assemblies are ESD sensitive, ESD precautions shall be observed.

ZZ3
 Assembly Note
 These assemblies must be clean and free from flux and all contaminants. Use of no clean flux is not acceptable.

ZZ4
 Assembly Note
 These assemblies must comply with workmanship standards IPC-A-610 Class 2, unless otherwise specified.

Texas Instruments and/or its licensors do not warrant the accuracy or completeness of this specification or any information contained therein. Texas Instruments and/or its licensors do not warrant that this design will meet the specifications, will be suitable for your application or fit for any particular purpose, or will operate in an implementation. Texas Instruments and/or its licensors do not warrant that the design is production worthy. You should completely validate and test your design implementation to confirm the system functionality for your application.

Orderable: N/A	Designed for: Public Release	Mod. Date: 8/8/2019
TID #: PMP21867	Project Title: LM5170 Negative-to-Positive Buck-Boost	
Number: PMP21867	Rev: B	Sheet Title: Hardware
SVN Rev: Not in version control	Assembly Variant: 001	Sheet: 7 of 7
Drawn By: R. Sheehan	File: PMP21867-HW.SchDoc	Size: B
Engineer: R. Sheehan	Contact: http://www.ti.com/support	

IMPORTANT NOTICE AND DISCLAIMER

TI PROVIDES TECHNICAL AND RELIABILITY DATA (INCLUDING DATASHEETS), DESIGN RESOURCES (INCLUDING REFERENCE DESIGNS), APPLICATION OR OTHER DESIGN ADVICE, WEB TOOLS, SAFETY INFORMATION, AND OTHER RESOURCES "AS IS" AND WITH ALL FAULTS, AND DISCLAIMS ALL WARRANTIES, EXPRESS AND IMPLIED, INCLUDING WITHOUT LIMITATION ANY IMPLIED WARRANTIES OF MERCHANTABILITY, FITNESS FOR A PARTICULAR PURPOSE OR NON-INFRINGEMENT OF THIRD PARTY INTELLECTUAL PROPERTY RIGHTS.

These resources are intended for skilled developers designing with TI products. You are solely responsible for (1) selecting the appropriate TI products for your application, (2) designing, validating and testing your application, and (3) ensuring your application meets applicable standards, and any other safety, security, or other requirements. These resources are subject to change without notice. TI grants you permission to use these resources only for development of an application that uses the TI products described in the resource. Other reproduction and display of these resources is prohibited. No license is granted to any other TI intellectual property right or to any third party intellectual property right. TI disclaims responsibility for, and you will fully indemnify TI and its representatives against, any claims, damages, costs, losses, and liabilities arising out of your use of these resources.

TI's products are provided subject to TI's Terms of Sale (www.ti.com/legal/termsofsale.html) or other applicable terms available either on ti.com or provided in conjunction with such TI products. TI's provision of these resources does not expand or otherwise alter TI's applicable warranties or warranty disclaimers for TI products.

Mailing Address: Texas Instruments, Post Office Box 655303, Dallas, Texas 75265
Copyright © 2019, Texas Instruments Incorporated