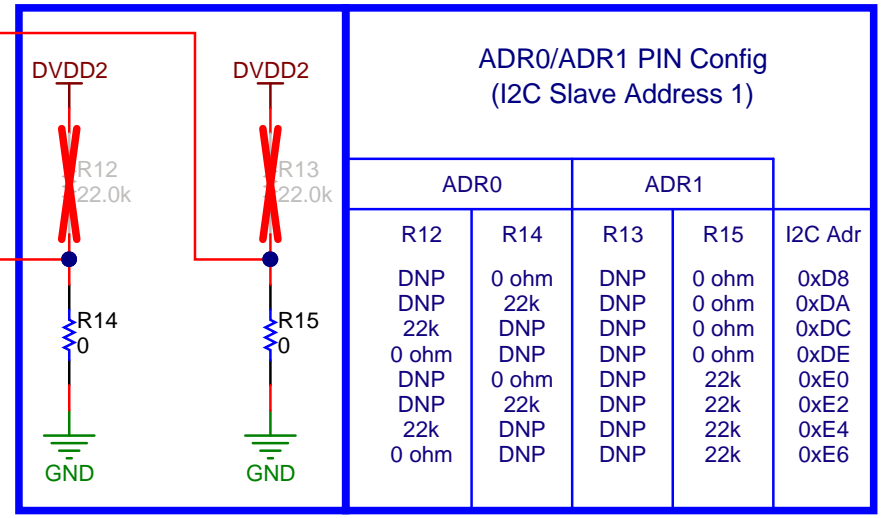
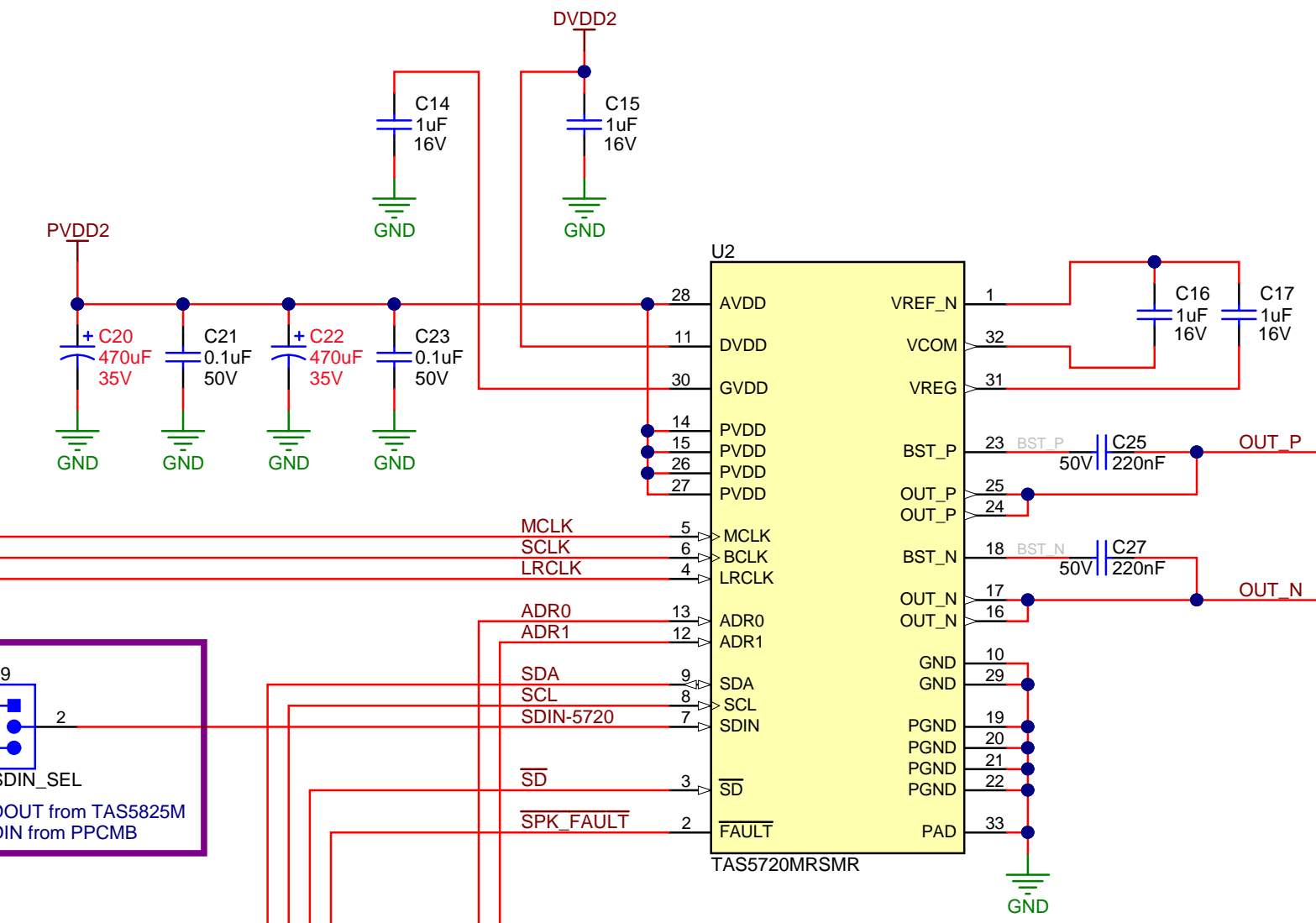
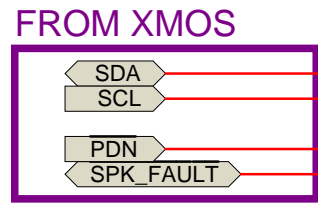
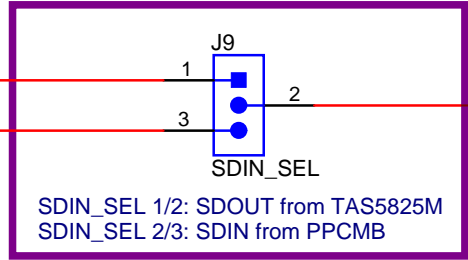
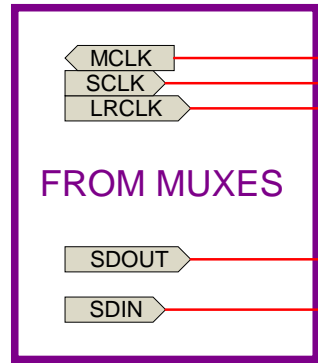


Texas Instruments and/or its licensors do not warrant the accuracy or completeness of this specification or any information contained therein. Texas Instruments and/or its licensors do not warrant that this design will meet the specifications, will be suitable for your application or fit for any particular purpose, or will operate in an implementation. Texas Instruments and/or its licensors do not warrant that the design is production worthy. You should completely validate and test your design implementation to confirm the system functionality for your application.

Orderable: TAS5825MEVM-SB	Designed for: Public Release	Mod. Date: 3/19/2019	 TEXAS INSTRUMENTS http://www.ti.com © Texas Instruments 2019
TID #: N/A	Project Title: TAS5825MRSM 2.1 Scalable Sound Bar		
Number: AMPS078	Rev: A	Sheet Title: PPCMB I/O	
SVN Rev: Not in version control	Assembly Variant: 001	Sheet: 1 of 4	
Drawn By: LDN	File: AMPS078A_PPCMB-I/O.SchDoc	Size: B	
Engineer: ROBERT CLIFTON	Contact: http://www.ti.com/support		

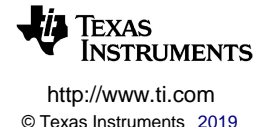


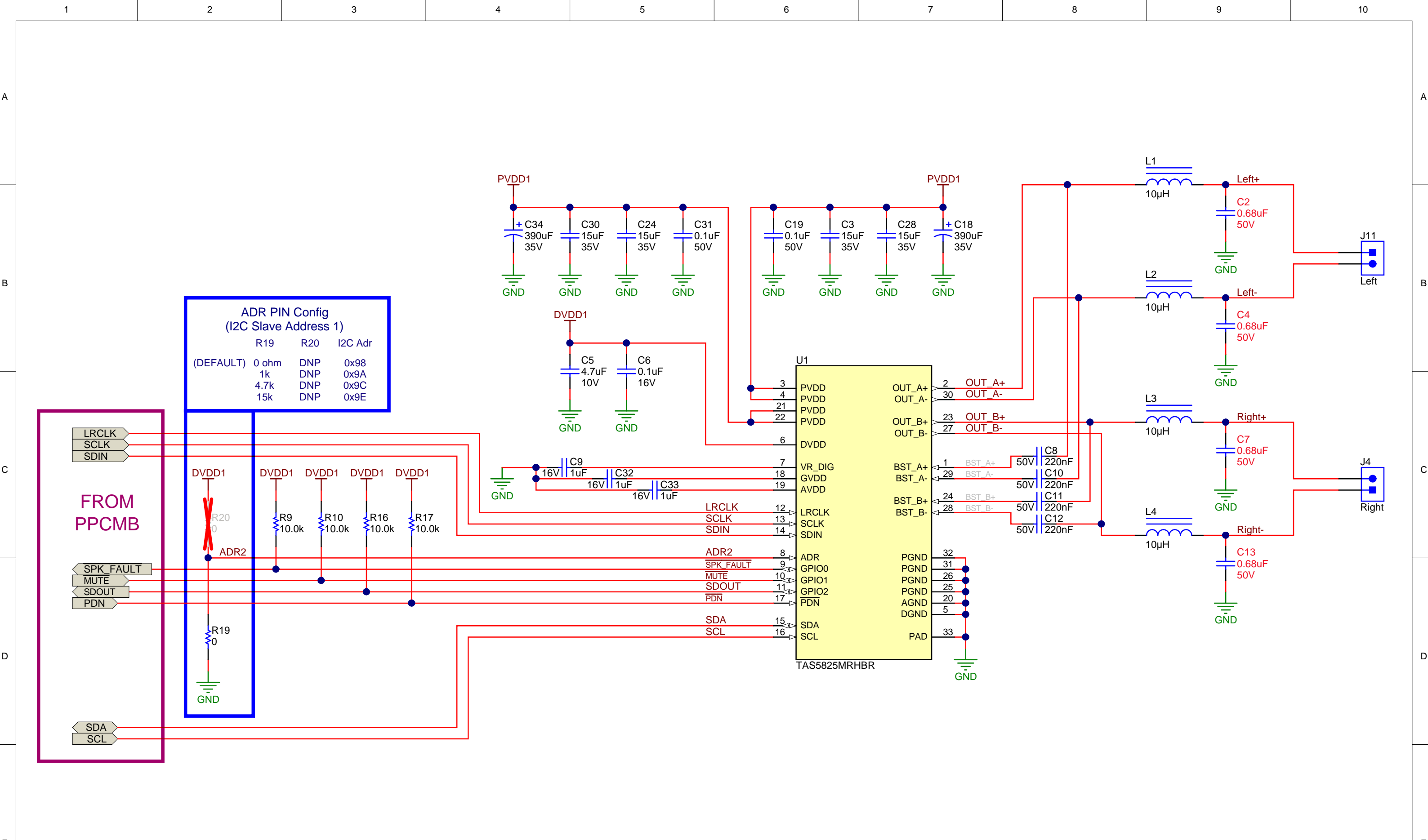
Texas Instruments and/or its licensors do not warrant the accuracy or completeness of this specification or any information contained therein. Texas Instruments and/or its licensors do not warrant that this design will meet the specifications, will be suitable for your application or fit for any particular purpose, or will operate in an implementation. Texas Instruments and/or its licensors do not warrant that the design is production worthy. You should completely validate and test your design implementation to confirm the system functionality for your application.

Orderable: [TAS5825MEVM-SB](#)
 Sheet: 2 of 4
 Number: [AMPS078](#)
 SVN Rev: Not in version control
 Drawn By: [LDN](#)
 Engineer: [ROBERT CLIFTON](#)

Designed for: Public Release
 Project Title: [TAS5825MRSM 2.1 Scalable Sound Bar](#)
 Sheet Title: [TAS5720MRSM I/O](#)
 Assembly Variant: 001
 File: [AMPS078A_TAS5720MRSM.SchDoc](#)
 Contact: <http://www.ti.com/support>

TID #: N/A
 Mod. Date: 3/19/2019
 Size: A | Rev: A





Texas Instruments and/or its licensors do not warrant the accuracy or completeness of this specification or any information contained therein. Texas Instruments and/or its licensors do not warrant that this design will meet the specifications, will be suitable for your application or fit for any particular purpose, or will operate in an implementation. Texas Instruments and/or its licensors do not warrant that the design is production worthy. You should completely validate and test your design implementation to confirm the system functionality for your application.

Orderable: [TAS5825MEVM-SB](#)
 Sheet: 3 of 4
 Number: [AMPS078](#)
 SVN Rev: Not in version control
 Drawn By: [LDN](#)
 Engineer: [ROBERT CLIFTON](#)

Designed for: [Public Release](#)
 Project Title: [TAS5825MRSM 2.1 Scalable Sound Bar](#)
 Sheet Title: [TAS5825MRSM I/O](#)
 Assembly Variant: [001](#)
 File: [AMPS078A_TAS5825MRSM.SchDoc](#)
 Contact: <http://www.ti.com/support>

TID #: [N/A](#)
 Mod. Date: [3/21/2019](#)
 Size: [A](#) | Rev: [A](#)



1

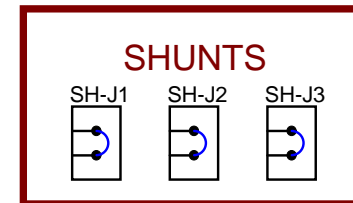
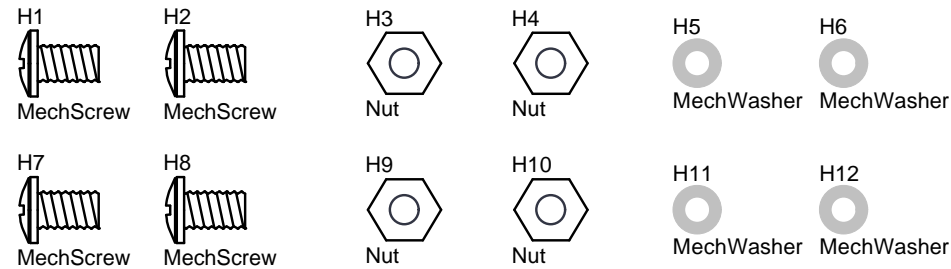
2

3

4

A

A



B

B

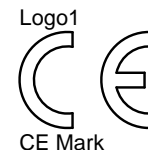


!PCB1
 PCB Number: AMPS078
 PCB Rev: A
 Printed Circuit Board

Logo2
 PCB
 LOGO
 Texas Instruments

Logo3
 PCB
 LOGO
 FCC disclaimer

Logo4
 PCB
 LOGO
 WEEE logo



C

C

ZZ1
 Assembly Note
 These assemblies must comply with workmanship standards IPC-A-610 Class 2, unless otherwise specified.

ZZ2
 Assembly Note
 These assemblies are ESD sensitive, ESD precautions shall be observed.

ZZ3
 Assembly Note
 These assemblies must be clean and free from flux and all contaminants. Use of no clean flux is not acceptable.

D

D

Texas Instruments and/or its licensors do not warrant the accuracy or completeness of this specification or any information contained therein. Texas Instruments and/or its licensors do not warrant that this design will meet the specifications, will be suitable for your application or fit for any particular purpose, or will operate in an implementation. Texas Instruments and/or its licensors do not warrant that the design is production worthy. You should completely validate and test your design implementation to confirm the system functionality for your application.

Orderable: TAS5825MEVM-SB	Designed for: Public Release	Mod. Date: 3/21/2019
TID #: N/A	Project Title: TAS5825MRSB 2.1 Scalable Sound Bar	
Number: AMPS078	Rev: A	Sheet Title: HARDWARE
SVN Rev: Not in version control	Assembly Variant: 001	Sheet: 4 of 4
Drawn By: LDN	File: AMPS078A_Hardware.SchDoc	Size: Letter
Engineer: ROBERT CLIFTON	Contact: http://www.ti.com/support	



1

2

3

4

IMPORTANT NOTICE AND DISCLAIMER

TI PROVIDES TECHNICAL AND RELIABILITY DATA (INCLUDING DATASHEETS), DESIGN RESOURCES (INCLUDING REFERENCE DESIGNS), APPLICATION OR OTHER DESIGN ADVICE, WEB TOOLS, SAFETY INFORMATION, AND OTHER RESOURCES "AS IS" AND WITH ALL FAULTS, AND DISCLAIMS ALL WARRANTIES, EXPRESS AND IMPLIED, INCLUDING WITHOUT LIMITATION ANY IMPLIED WARRANTIES OF MERCHANTABILITY, FITNESS FOR A PARTICULAR PURPOSE OR NON-INFRINGEMENT OF THIRD PARTY INTELLECTUAL PROPERTY RIGHTS.

These resources are intended for skilled developers designing with TI products. You are solely responsible for (1) selecting the appropriate TI products for your application, (2) designing, validating and testing your application, and (3) ensuring your application meets applicable standards, and any other safety, security, or other requirements. These resources are subject to change without notice. TI grants you permission to use these resources only for development of an application that uses the TI products described in the resource. Other reproduction and display of these resources is prohibited. No license is granted to any other TI intellectual property right or to any third party intellectual property right. TI disclaims responsibility for, and you will fully indemnify TI and its representatives against, any claims, damages, costs, losses, and liabilities arising out of your use of these resources.

TI's products are provided subject to TI's Terms of Sale (www.ti.com/legal/termsofsale.html) or other applicable terms available either on ti.com or provided in conjunction with such TI products. TI's provision of these resources does not expand or otherwise alter TI's applicable warranties or warranty disclaimers for TI products.

Mailing Address: Texas Instruments, Post Office Box 655303, Dallas, Texas 75265
Copyright © 2019, Texas Instruments Incorporated