

Functional Safety Information

**LM62460-Q1, LM61480(T)-Q1, and LM61495(T)-Q1
Functional Safety FIT Rate, FMD and Pin FMA**



Table of Contents

1 Overview	2
2 Functional Safety Failure In Time (FIT) Rates	3
3 Failure Mode Distribution (FMD)	4
4 Pin Failure Mode Analysis (Pin FMA)	5
5 Revision History	9

1 Overview

This document contains information for LM62460-Q1, LM61480(T)-Q1, and LM61495(T)-Q1 (VQFN package) to aid in a functional safety system design. Information provided are:

- Functional safety failure in time (FIT) rates of the semiconductor component estimated by the application of industry reliability standards
- Component failure modes and their distribution (FMD) based on the primary function of the device
- Pin failure mode analysis (pin FMA)

Figure 1-1 shows the device functional block diagram for reference.

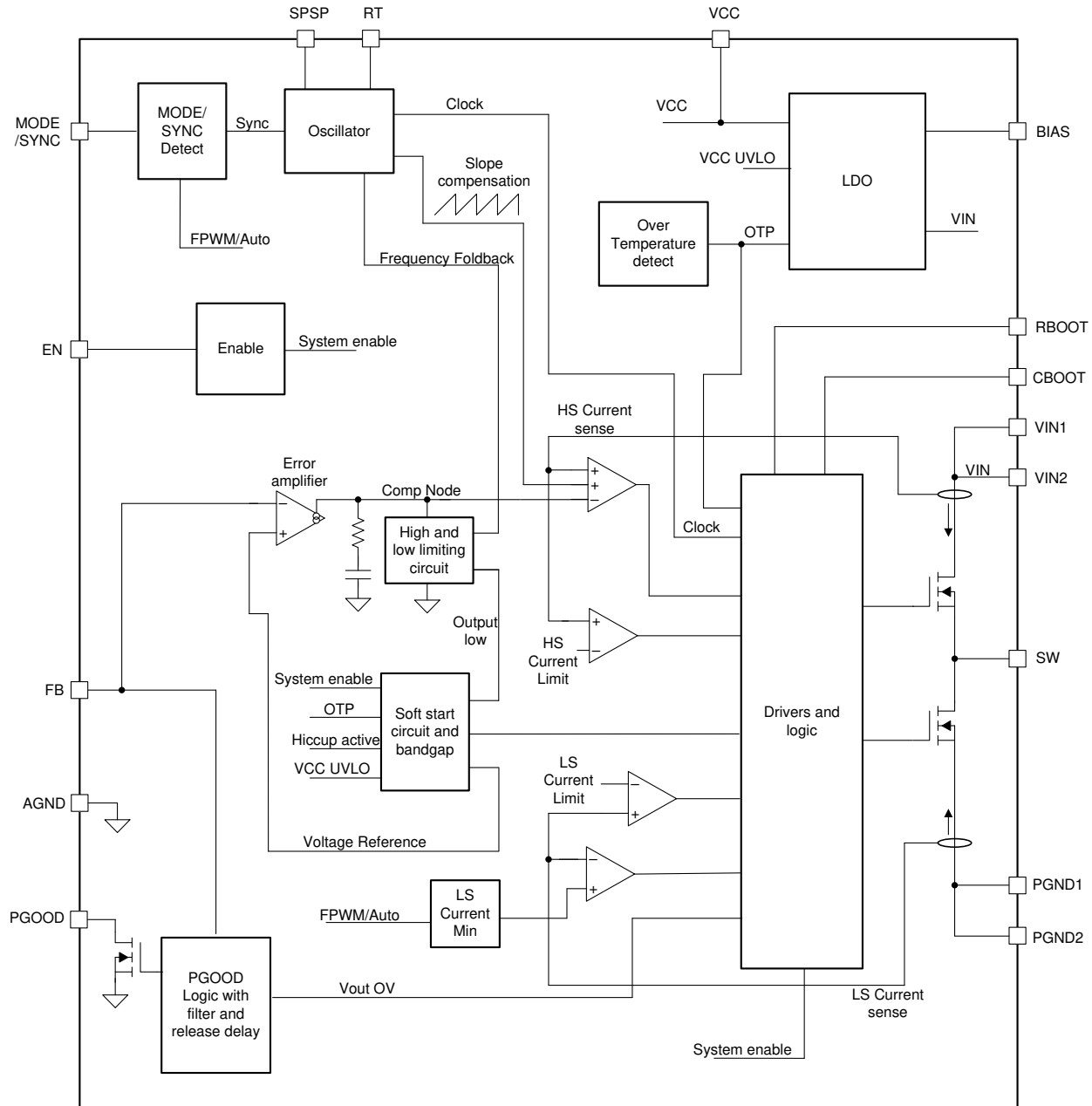


Figure 1-1. Functional Block Diagram

LM62460-Q1, LM61480(T)-Q1, and LM61495(T)-Q1 were developed using a quality-managed development process, but were not developed in accordance with the IEC 61508 or ISO 26262 standards.

2 Functional Safety Failure In Time (FIT) Rates

This section provides functional safety failure in time (FIT) rates for LM62460-Q1, LM61480(T)-Q1, and LM61495(T)-Q1 based on two different industry-wide used reliability standards:

- [Table 2-1](#) provides FIT rates based on IEC TR 62380 / ISO 26262 part 11
- [Table 2-2](#) provides FIT rates based on the Siemens Norm SN 29500-2

Table 2-1. Component Failure Rates per IEC TR 62380 / ISO 26262 Part 11

FIT IEC TR 62380 / ISO 26262	FIT (Failures Per 10 ⁹ Hours)
Total component FIT rate	26
Die FIT rate	9
Package FIT rate	17

The failure rate and mission profile information in [Table 2-1](#) comes from the reliability data handbook IEC TR 62380 / ISO 26262 part 11:

- Mission profile: Motor control from table 11
- Power dissipation: 800mW
- Climate type: World-wide Table 8
- Package factor (λ_3): Table 17b
- Substrate material: FR4
- EOS FIT rate assumed: 0 FIT

Table 2-2. Component Failure Rates per Siemens Norm SN 29500-2

Table	Category	Reference FIT Rate	Reference Virtual T _J
5	CMOS/BICMOS ASICs Analog and Mixed = < 50-V supply	25 FIT	55°C

The reference FIT rate and reference virtual T_J (junction temperature) in [Table 2-2](#) come from the Siemens Norm SN 29500-2 tables 1 through 5. Failure rates under operating conditions are calculated from the reference failure rate and virtual junction temperature using conversion information in SN 29500-2 section 4.

3 Failure Mode Distribution (FMD)

The failure mode distribution estimation for LM62460-Q1, LM61480(T)-Q1, and LM61495(T)-Q1 in [Table 3-1](#) comes from the combination of common failure modes listed in standards such as IEC 61508 and ISO 26262, the ratio of sub-circuit function size and complexity, and from best engineering judgment.

The failure modes listed in this section reflect random failure events and do not include failures resulting from misuse or overstress.

Table 3-1. Die Failure Modes and Distribution

Die Failure Modes	Failure Mode Distribution (%)
Software No output	50
Software output not in specification - voltage or timing	40
Software power FET stuck on	5
PGOOD false trip, fails to trip	5

The FMD in [Table 3-1](#) excludes short circuit faults across the isolation barrier. Faults for short circuit across the isolation barrier can be excluded according to ISO 61800-5-2:2016 if the following requirements are fulfilled:

1. The signal isolation component is OVC III according to IEC 61800-5-1. If a SELV/PELV power supply is used, pollution degree 2/OVC II applies. All requirements of IEC 61800-5-1:2007, 4.3.6 apply.
2. Measures are taken to ensure that an internal failure of the signal isolation component cannot result in excessive temperature of its insulating material.

Creepage and clearance requirements should be applied according to the specific equipment isolation standards of an application. Care should be taken to maintain the creepage and clearance distance of a board design to ensure that the mounting pads of the isolator on the printed-circuit board do not reduce this distance.

4 Pin Failure Mode Analysis (Pin FMA)

This section provides a failure mode analysis (FMA) for the pins of the LM62460-Q1, LM61480(T)-Q1, and LM61495(T)-Q1. The failure modes covered in this document include the typical pin-by-pin failure scenarios:

- Pin short-circuited to ground (see [Table 4-2](#))
- Pin open-circuited (see [Table 4-3](#))
- Pin short-circuited to an adjacent pin (see [Table 4-4](#))
- Pin short-circuited to supply (see [Table 4-5](#))

[Table 4-2](#) through [Table 4-5](#) also indicate how these pin conditions can affect the device as per the failure effects classification in [Table 4-1](#).

Table 4-1. TI Classification of Failure Effects

Class	Failure Effects
A	Potential device damage that affects functionality.
B	No device damage, but loss of functionality.
C	No device damage, but performance degradation.
D	No device damage, no impact to functionality or performance.

[Figure 4-1](#) shows the LM62460-Q1, LM61480(T)-Q1, and LM61495(T)-Q1 pin diagram. For a detailed description of the device pins please refer to the *Pin Configuration and Functions* section in the LM62460-Q1, LM61480(T)-Q1, and LM61495(T)-Q1 data sheet.

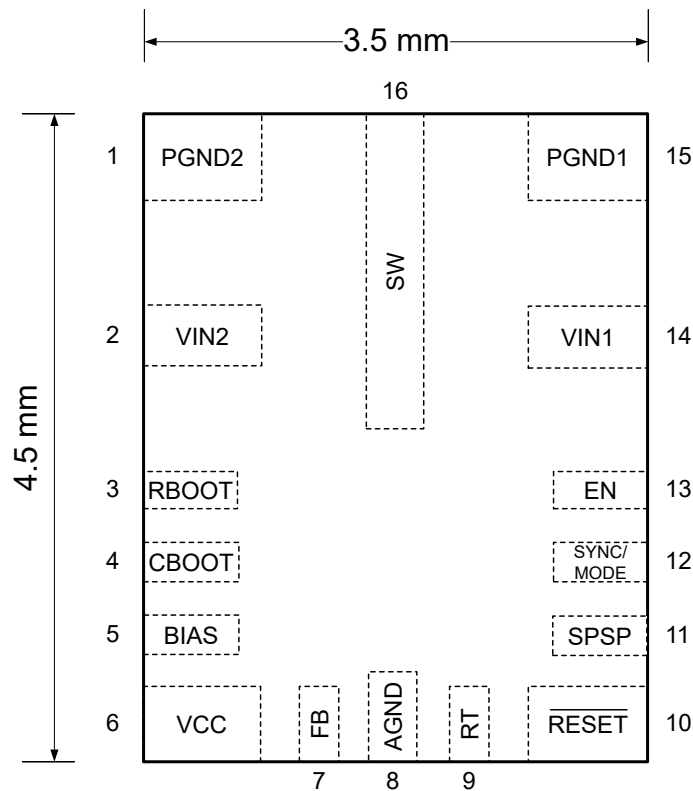


Figure 4-1. Pin Diagram

Following are the assumptions of use and the device configuration assumed for the pin FMA in this section:

- Application circuit, as per the [LM61495-Q1 data sheet](#) is used.

Table 4-2. Pin FMA for Device Pins Short-Circuited to Ground

Pin Name	Pin No	Description of Potential Failure Effects	Failure Effect Class
PGND2	1	Normal operation.	D
VIN2	2	VOUT = 0V.	B
RBOOT	3	VOUT = 0V, damage if VIN > 5.5V.	A
CBOOT	4	VOUT = 0V.	B
BIAS	5	Normal operation.	D
VCC	6	VOUT = 0V.	B
FB	7	The device operates at maximum duty cycle. Output voltage rise approximately to the input voltage (VIN) level. Damage to customer load and output stage components are possible. No effect on device.	B
AGND	8	Normal operation.	D
RT	9	Switch frequency = 2.2MHz.	C
RESET	10	RESET value is not valid. VOUT is normal.	D
SPSP	11	Spread spectrum is off.	C
SYNC/MODE	12	Mode = Auto PFM at light load. VOUT normal.	C
EN	13	VOUT = 0V.	B
VIN1	14	VOUT = 0V.	B
PGND1	15	Normal operation.	D
SW	16	Damage to high-side FET.	A

Table 4-3. Pin FMA for Device Pins Open-Circuited

Pin Name	Pin No	Description of Potential Failure Effects	Failure Effect Class
PGND2	1	VOUT normal. Current loop is affected, potentially affecting noise, jitter, and EMI reliability.	C
VIN2	2	VOUT normal. All currents are in other VIN1 loop, potentially affecting noise, jitter, and EMI reliability.	C
RBOOT	3	VOUT normal; lower efficiency and higher junction temperature.	C
CBOOT	4	VOUT = 0V.	B
BIAS	5	Normal operation.	D
VCC	6	VCC output can oscillate and internal circuitry not functioning correctly is possible.	B
FB	7	Output voltage rises to a much higher value than the programmed output voltage. Damage to customer load and output stage components are possible. No effect on device.	B
AGND	8	Abnormal VOUT is possible due to switching noise on analog circuits.	B
RT	9	Switch frequency can become unstable.	B
RESET	10	RESET signal is not valid. Normal operation.	C
SPSP	11	Spread spectrum enable or disable can be unstable.	C
SYNC/MODE	12	Mode can switch randomly. Unpredictable behavior.	C
EN	13	Device can shut off.	B
VIN1	14	VOUT normal. All currents are in other VIN2 loop, potentially affecting noise, jitter, EMI, reliability.	C
PGND1	15	VOUT normal. Current loop is affected, potentially affecting noise, jitter, and EMI reliability.	C
SW	16	VOUT = 0V.	B

Table 4-4. Pin FMA for Device Pins Short-Circuited to Adjacent Pin

Pin Name	Pin No	Shorted to	Description of Potential Failure Effects	Failure Effect Class
PGND2	1	VIN2	VOUT = 0V. Damage to low-side circuitry if PGND is greater than AGND.	B
VIN2	2	RBOOT	VOUT = 0V.	B
RBOOT	3	CBOOT	VOUT normal.	D
CBOOT	4	BIAS	VOUT = 0V.	B
BIAS	5	VCC	VCC ESD clamp damaged if BIAS > 5V.	A
VCC	6	FB	VOUT = 0V.	C
FB	7	AGND	The device operates at maximum duty cycle. Output voltage rise approximately to the input voltage (VIN) level. Damage to customer load and output stage components are possible. No effect on device.	B
AGND	8	RT	Switch frequency = 2.2MHz.	C
RT	9	RESET	Switch frequency can change, RT can become damaged if RESET > 5.5V. Invalid RESET is possible.	B
RESET	10	SPSP	Spread spectrum can enable or disable; RESET can become damaged if biased above 20V.	A
SPSP	11	SYNC/MODE	Spread spectrum, sync, and mode functionality can be unstable.	C
SYNC/MODE	12	EN	Can disable device, change modes, or interrupt syncing.	B
EN	13	VIN1	Device enabled.	B
VIN1	14	PGND1	VOUT = 0V. Damage to low-side circuitry if PGND is greater than AGND.	B
PGND1	15	SW	VOUT = 0V. Damage to low-side circuitry if PGND is greater than AGND.	B
SW	16	PGND2	Damage to high-side FET.	A

Table 4-5. Pin FMA for Device Pins Short-Circuited to Supply

Pin Name	Pin No	Description of Potential Failure Effects	Failure Effect Class
PGND2	1	VOUT = 0V. Damage to low-side circuitry if PGND is greater than AGND.	B
VIN2	2	Normal operation.	D
RBOOT	3	VOUT = 0V. RBOOT ESD clamp runs current to destruction.	A
CBOOT	4	VOUT = 0V. CBOOT ESD clamp runs current to destruction.	A
BIAS	5	If VIN exceeds 16V, damage occurs; if VIN is below 16V, normal operation.	A
VCC	6	If VIN exceeds 5.5V, damage occurs.	A
FB	7	If VIN exceeds 16V (fixed version), or 5.5V (adjustable version), damage occurs. VOUT = 0V.	A
AGND	8	VOUT = 0V. Damage to other pins referred to GND.	A
RT	9	If VIN exceeds 5.5V, damage occurs. VOUT = 0V.	A
RESET	10	If VIN exceeds 20V, damage occurs. VOUT = 0V.	A
SPSP	11	Spread spectrum enabled.	D
SYNC/MODE	12	Mode set to FPWM.	C
EN	13	Device enabled.	C
VIN1	14	Normal operation.	D
PGND1	15	VOUT = 0V. Damage to the low-side circuitry if PGND is greater than AGND.	B
SW	16	Damage to low-side FET.	A

5 Revision History

NOTE: Page numbers for previous revisions may differ from page numbers in the current version.

Changes from Revision A (April 2021) to Revision B (December 2024)	Page
• Added LM61480T-Q1 and LM61495T-Q1.....	2
• Added 'Shorted to' column in Table Table 4-4 for better clarity.....	5

Changes from Revision * (February 2020) to Revision A (April 2021)	Page
• Updated Table 4-3	5

IMPORTANT NOTICE AND DISCLAIMER

TI PROVIDES TECHNICAL AND RELIABILITY DATA (INCLUDING DATA SHEETS), DESIGN RESOURCES (INCLUDING REFERENCE DESIGNS), APPLICATION OR OTHER DESIGN ADVICE, WEB TOOLS, SAFETY INFORMATION, AND OTHER RESOURCES "AS IS" AND WITH ALL FAULTS, AND DISCLAIMS ALL WARRANTIES, EXPRESS AND IMPLIED, INCLUDING WITHOUT LIMITATION ANY IMPLIED WARRANTIES OF MERCHANTABILITY, FITNESS FOR A PARTICULAR PURPOSE OR NON-INFRINGEMENT OF THIRD PARTY INTELLECTUAL PROPERTY RIGHTS.

These resources are intended for skilled developers designing with TI products. You are solely responsible for (1) selecting the appropriate TI products for your application, (2) designing, validating and testing your application, and (3) ensuring your application meets applicable standards, and any other safety, security, regulatory or other requirements.

These resources are subject to change without notice. TI grants you permission to use these resources only for development of an application that uses the TI products described in the resource. Other reproduction and display of these resources is prohibited. No license is granted to any other TI intellectual property right or to any third party intellectual property right. TI disclaims responsibility for, and you will fully indemnify TI and its representatives against, any claims, damages, costs, losses, and liabilities arising out of your use of these resources.

TI's products are provided subject to [TI's Terms of Sale](#) or other applicable terms available either on [ti.com](https://www.ti.com) or provided in conjunction with such TI products. TI's provision of these resources does not expand or otherwise alter TI's applicable warranties or warranty disclaimers for TI products.

TI objects to and rejects any additional or different terms you may have proposed.

Mailing Address: Texas Instruments, Post Office Box 655303, Dallas, Texas 75265
Copyright © 2024, Texas Instruments Incorporated