

LMP91051EVM User's Guide

CONTENTS

| | | |
|----------|--|-----------|
| 1 | INTRODUCTION | 1 |
| 2 | SETUP | 2 |
| 3 | OPERATION | 5 |
| 4 | INSTALLING THE SENSOR AFE SOFTWARE..... | 10 |
| 5 | BOARD LAYOUT | 11 |
| 6 | SCHEMATIC | 12 |
| 7 | BOM..... | 13 |

LIST OF FIGURES

| | | |
|---|--|----|
| 1 | Connection Diagram..... | 2 |
| 2 | Jumper Setting (Default) for voltage reading | 3 |
| 3 | LMP91051EVM to SPIO-4 Board Connection | 4 |
| 4 | Sensor AFE Items of Interest..... | 5 |
| 5 | Recommended LMP91051 Configuration for a voltage Reading | 7 |
| 6 | Sensor Database Window | 8 |
| 7 | Results of DC Reading..... | 9 |
| 8 | LMP91051EVM's J3 for SPI Signals..... | 10 |
| 9 | LMP91051EVM Layout..... | 11 |
| 8 | LMP91051EVM Schematic..... | 12 |

LIST OF TABLES

| | | |
|---|---------------------------------------|----|
| 1 | Jumpers for Voltage Measurement | 3 |
| 2 | LMP91051EVM Bill of Materials..... | 13 |

1. Introduction

The LMP91051 Design Kit (consisting of the LMP91051 Evaluation Module, the SPIO-4 Digital Controller Board, the Sensor AFE software, and this user's guide) is designed to ease evaluation and design-in of Texas Instrument's LMP91051 Configurable AFE for Nondispersive Infrared (NDIR).

Data capturing and evaluations are simplified by connecting the SPIO-4 Digital Controller Board (SPIO-4 board) to a PC via USB and running the Sensor AFE software. The data capture board will generate the SPI signals to communicate to and capture data from the LMP91051. The user will also have the option to evaluate the LMP91051 without using the SPIO-4 board or the Sensor AFE software.

The on board data converter will digitize the LMP91051's analog output, and the software will display these results in time domain and histogram. The software also allows customers to write to and read from registers, to configure the device's gain, output offset, and common mode voltage, and most importantly, to configure and learn about the LMP91051.

This document describes the connection between the boards and PC, and provides a quick start for voltage measurements. This document also describes how to evaluate the LMP91051 with and without the SPIO-4 board and provides the schematic, board layout, and BOM.

2. Setup

This section describes the jumpers and connectors on the EVM as well and how to properly connect, set up and use the LMP91051EVM.

2.1. Connection Diagram

Figure 1 shows the connection between the LMP91051 Evaluation Module (LMP91051EVM), SPIO-4 board, and a personal computer with the Sensor AFE software. LMP91051 can be powered using external power supplies or from the SPIO-4 board.

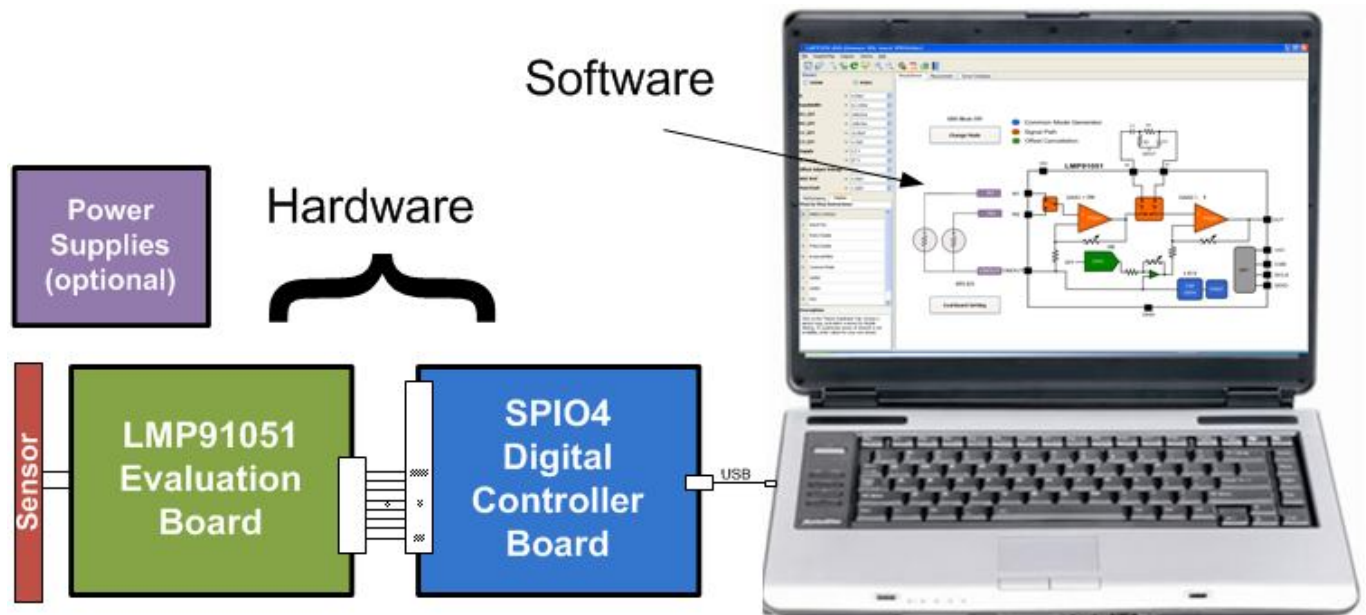


Figure 1: Connection Diagram

2.2. Jumper Connections

1. The jumpers for this example application can be seen in Figure 2 and Table 1.
2. The SPIO-4 board is properly setup out of the box (no assembly required).
3. The schematic for the LMP91051EVM can be seen in Figure 10.

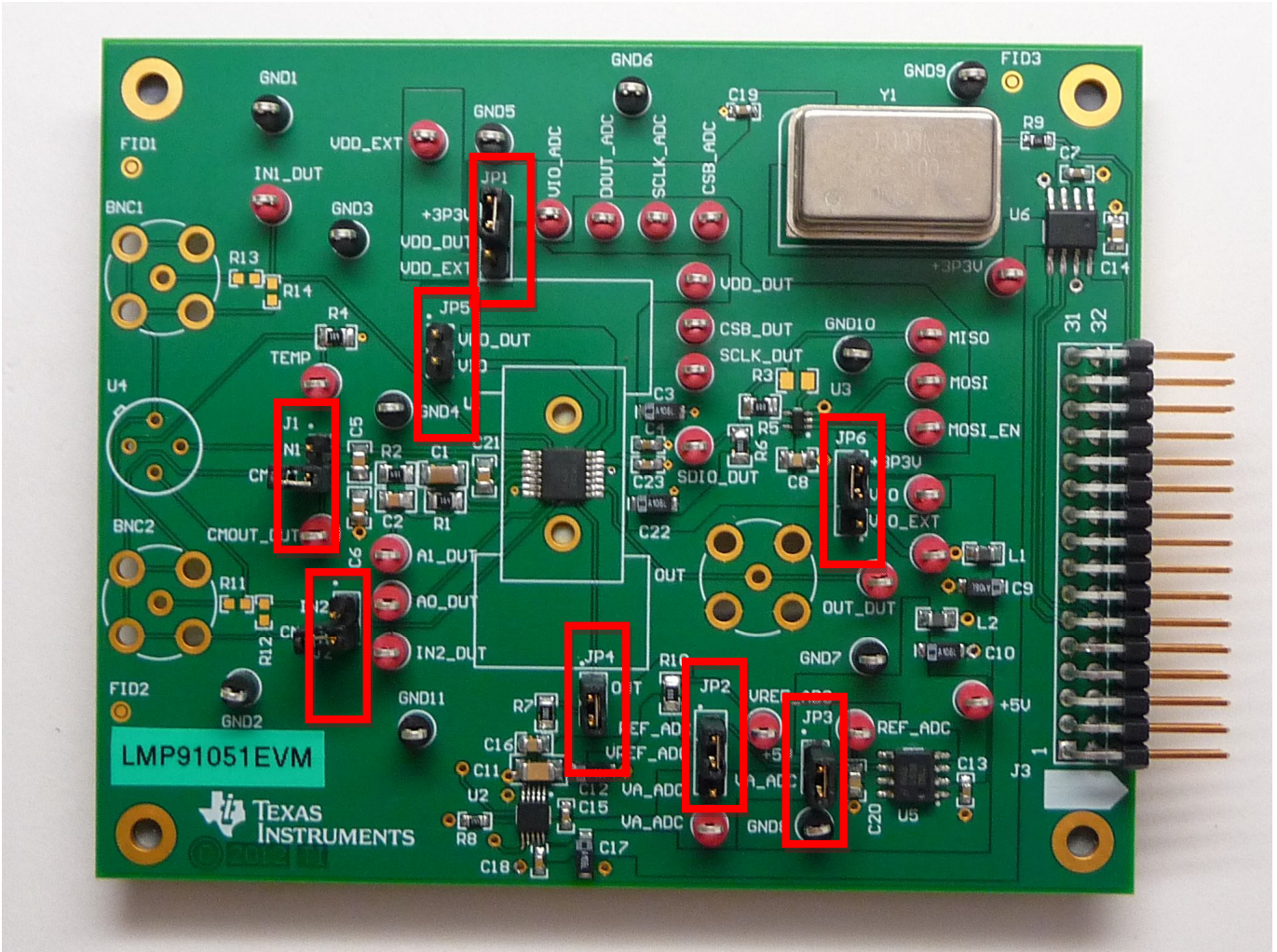


Figure 2: Jumper Setting (Default) for voltage reading

Table 1: Jumpers for Voltage Measurement

| Jumpers | Pin | Purpose |
|---------------------|-------|--|
| JP1: VDD_DUT | P1-P2 | Connect LMP91051 VDD to +3.3V from SPIO4 |
| JP2: VREF_ADC | P1-P2 | Connect ADC VREF to 4.1V from U5 (LM4140) |
| JP3: VA_ADC | P1-P2 | Connect ADC VA to +5V from SPIO4 |
| JP4: OUT_DUT to ADC | P1-P2 | Connect LMP91051 OUT to ADC input RC filter |
| JP5: VDD to VIO | Open | Connect LMP91051 VDD to VIO |
| JP6: VIO | P2-P3 | Connect LMP91051 VIO to +3.3V from SPIO4 |
| J1: IN1 to CMOUT | Open | Connect LMP91051 IN1 to CMOUT. Note: Board is provided with this jumper open. Use provided jumper to short IN to CMOUT for easy evaluation. |
| J2: IN2 to CMOUT | Open | Connect LMP91051 IN2 to CMOUT. Note: Board is provided with this jumper open. Use provided jumper to short IN to CMOUT for easy evaluation. |

2.3. Installing/Opening the Software

Follow Section 4 to install and open the Sensor AFE software.

2.4. Connecting and Powering the Boards

These Steps have to be done in this order.

1. Connect the LMP91051EVM's **J3** to SPIO-4 Board's **J6**. See Figure 3.

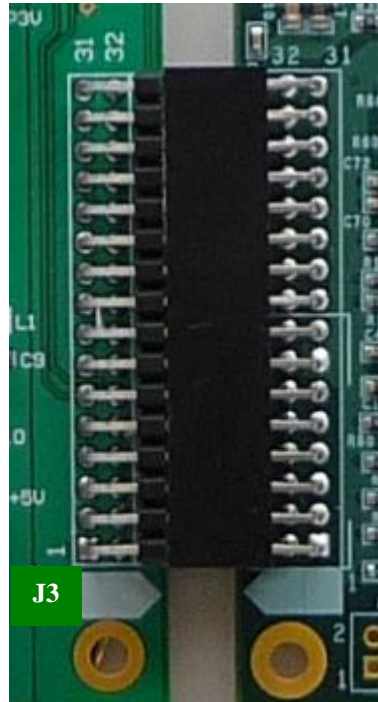


Figure 3: LMP91051EVM to SPIO-4 Board Connection

2. Connect SPIO-4 board to a PC via **USB**.
3. Use a multimeter to measure LMP91051EVM's +5V test point; it should be approximately 5V. If it is not, check your power supplies and jumpers. Measure test point VREF_ADC; it should be approximately 4.1V. If it's not, check your jumpers and U5.

3. Operation

3.1. Sensor AFE Software Overview

Once connection between the boards and PC is established, you can use the software to communicate to and capture data from the LMP91051. Drag cursor over window icons to get an icon description. Some items of interest are shown in Figure 4.

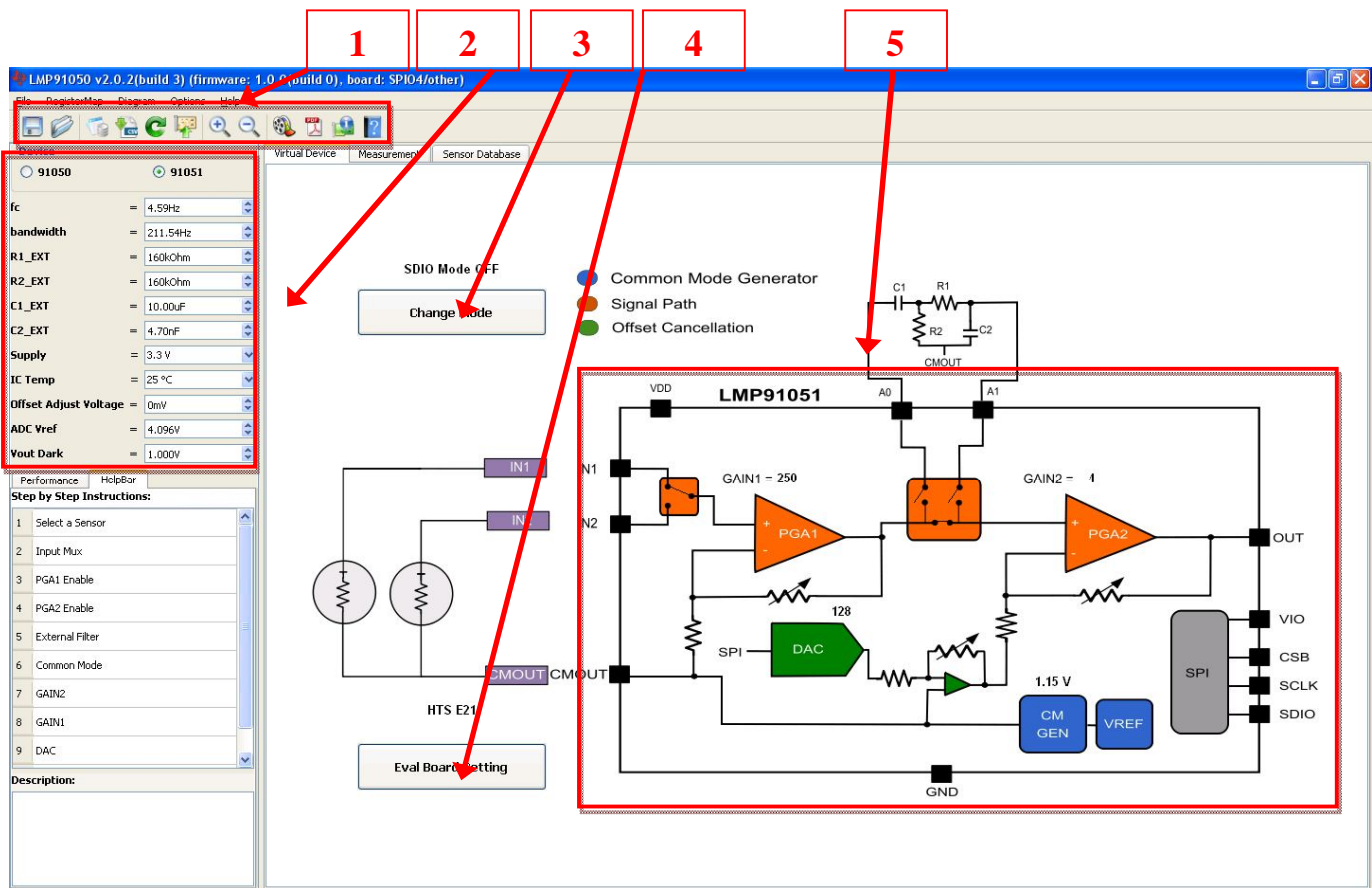


Figure 4: Sensor AFE Items of Interest

1. Menu Bar Icons (from left to right)
 - a. Save Configuration to File: Saves the current configuration settings (register settings) to an .xml file.
 - b. Load Configuration File: Loads the selected configuration settings (register settings) .xml file.
 - c. Register Map: Opens Register Map window. An alternative to the Virtual Device, for writing and reading the device registers. See datasheet for details on device Register Map.
 - d. Save All Registers to File: Saves register contents to a .csv file.
 - e. Read All Register from Board: After configuring the register map, use this button to read all registers. Functional only in SDIO Mode (see Item 3).
 - f. Write All Registers To Board: After configuring the register map use this button to write all registers. Registers will not be updated until this step is done.
 - g. Zoom In/Out Diagram Image: Zoom in and out of the virtual device image.
 - h. Show Tutorial: Takes you to the interactive Software Overview videos.

- i. Documentation: Accesses the LMP91051 Datasheet, SPIO4 User's Guide, or Evaluation Board User's Guide.
2. Device Selection and User Inputs
 - a. LMP91050/1 : Toggle between LMP91050 and LMP91051 device.
 - b. fc: Center frequency of external bandpass filter.
 - c. bandwidth: Pass band bandwidth of external bandpass filter.
 - d. R1_EXT, R2_EXT, C1_EXT, C2_EXT: External bandpass filter component values calculated based on user input for center frequency (fc) and pass band (bandwidth) described above.
 - e. Supply: LMP91051 supply voltage (VDD).
 - f. IC Temp: LMP91051 operating temperature
 - g. Offset Adjust Voltage: The tool will calculate the DAC code (decimal) required to achieve this output offset adjust voltage. User must then **Write** to the register to update the value in the NDAC register.
 - h. ADC Vref: ADC reference voltage. User should input value measured at VREF_ADC test point. Value used to calculate displayed Output Voltage.
 - i. Vout Dark: This value corresponds to the user measured value at the LMP91051 output (OUT) when input is shorted (IN = CMOUT). Tool will use this value to estimate LMP91051 input voltage (IN - CMOUT) on subsequent measurements.
3. Change Mode: Change between device Read Mode OFF (default) and ON. See datasheet for details on SPI Read Mode.
4. Eval Board Setting: Document to show user how to configure jumpers and connect thermopile based on sensor selected.
5. Virtual Device: Drag cursor across color coded blocks and click to configure each block. To update registers "**Write All Registers**" when done.

3.2. Configuring the LMP91051 Using the Sensor AFE Software

Follow the step-by-step instructions under the "**HelpBar**" mini-tab (left hand side of the GUI) to configure the LMP91051 for this example. These step-by-step instructions are discussed in details below, and the recommended configuration should look similar to Figure 5.

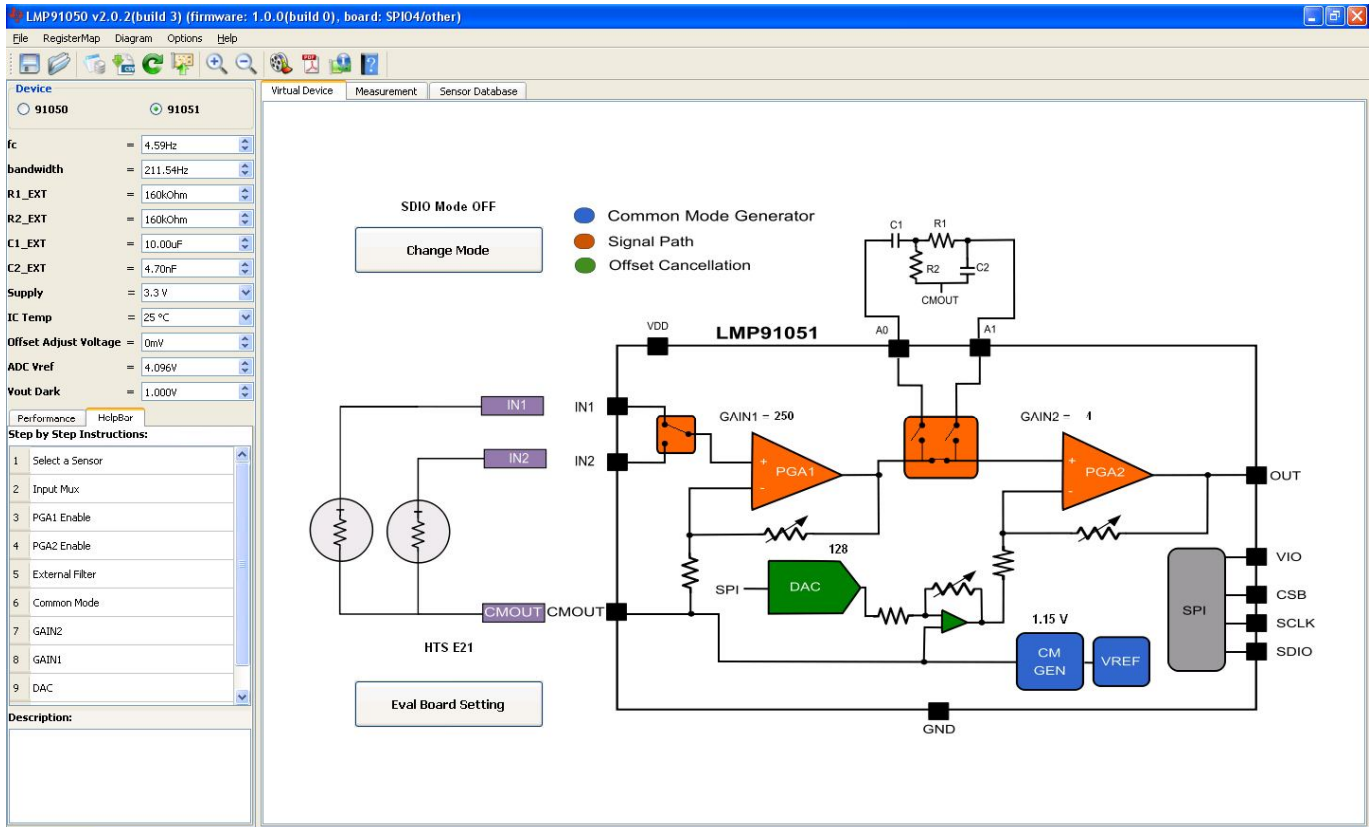


Figure 5: Recommended LMP91051 Configuration for a voltage Reading

1. Step 1: Select a Sensor – Sensor Database window opens. See Figure 6. Step 1: Click sensor type (Thermopile) and the sensors will show in the bottom table. Step 2: Click sensor and then click “**Select**” button on the left to use this sensor.

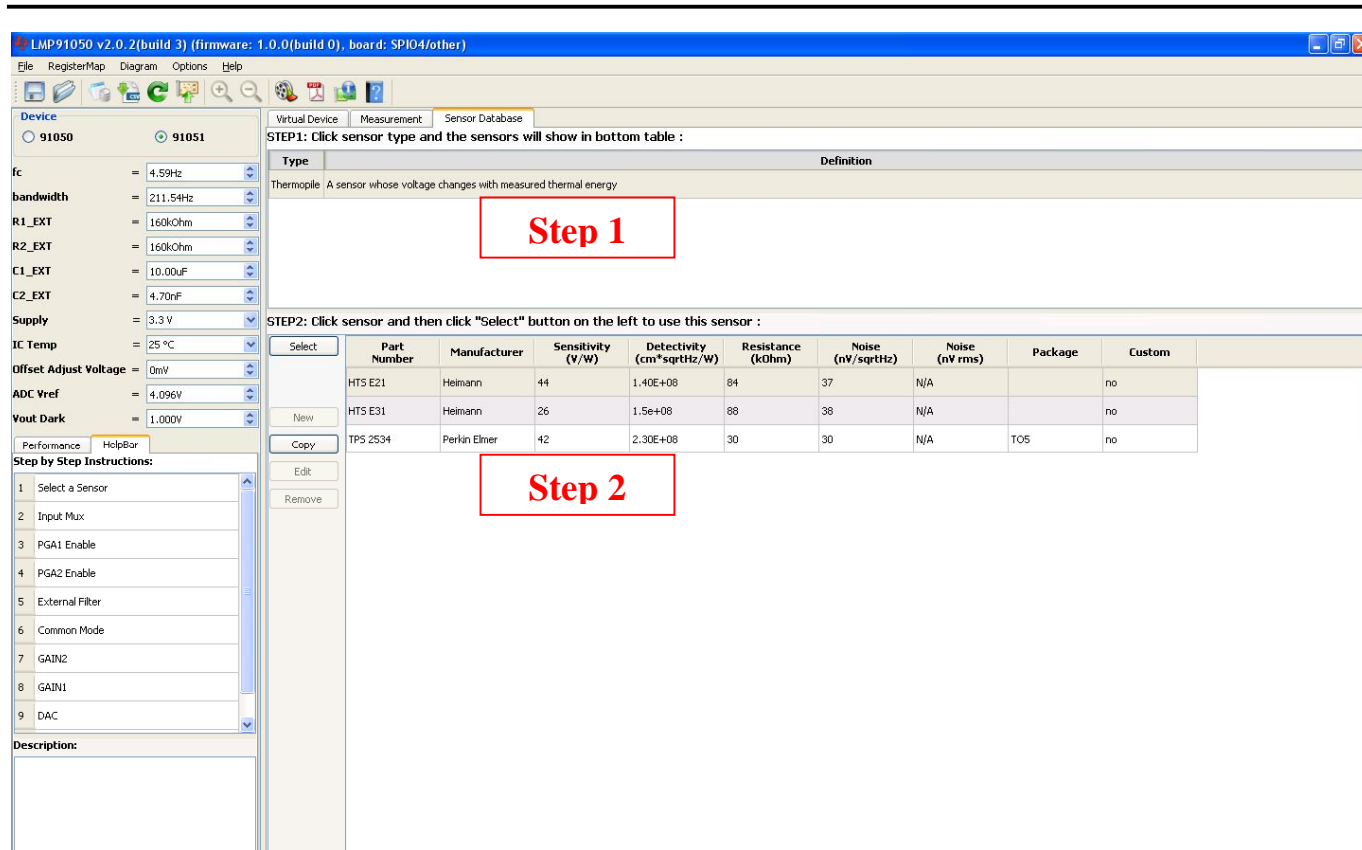


Figure 6: Sensor Database Window

- Step 2: Input Mux – click on the mux block to set “**1: IN1**” (default).
- Step 3: PGA1 Enable – click on the “**PGA1**” block to set “**1: PGA1 ON**” . Remember after configuring the register map to use the **Write All Registers** button to update the registers.
- Step 4: PGA2 Enable – click on the “**PGA2**” block to set “**1: PGA2 ON**” . Note: By default PGA1 and PGA2 are OFF on power up. However the software was designed to automatically power ON PGA1 and PGA2 for ease of use.
- Step 5: External Filter – click on the switch block to choose “**0: PGA1 to PGA2 direct**” (default).
- Step 6: Common Mode – click on the “**CM GEN**” block to set “**0: 1.15V**” (default).
- Step 7: GAIN 2 – click on the “**PGA2**” block to set “**00: 4**” (default).
- Step 8: GAIN 1 – click on the “**PGA1**” block to set “**0: 250**” (default).
- Step 8: DAC (Output Offset) – click on the “**DAC**” block to set “**128**” (default) for 0 mV offset. Alternatively, user can also use the Offset Adjust Voltage user input field to input 0 mV.
- Step 10: Performance - click on the “**Performance**” mini-tab. This tab displays the Estimated Device Performance based on device configuration and user input device Supply and IC Temp .This tab also displays the Measured System Performance if you've connected a board and ran the LMP91051.

3.3. Capturing Data

1. Click on the “**Measurement**” tab.
2. Under the “**Output Format**” field, select Display as “**Output Voltage (V)**”
3. Under the “**Stop Condition**” field, select Run as “**1**” Seconds. Alternatively, select “**Run Continuously**” radio button to run continuously up to 1 hour.
4. Click on the “**Run**” button to view the output voltage results. A reading should be plotted as seen in Figure . Output voltage will vary depending on input voltage across input (IN1/IN2) and CMOUT. If J1/J2 are shorted, IN1/IN2 = CMOUT, output voltage should be about 1V. **Note: Board is provided with jumper J1/J2 open. Use provided jumper to short IN1/IN2 to CMOUT for easy evaluation.**

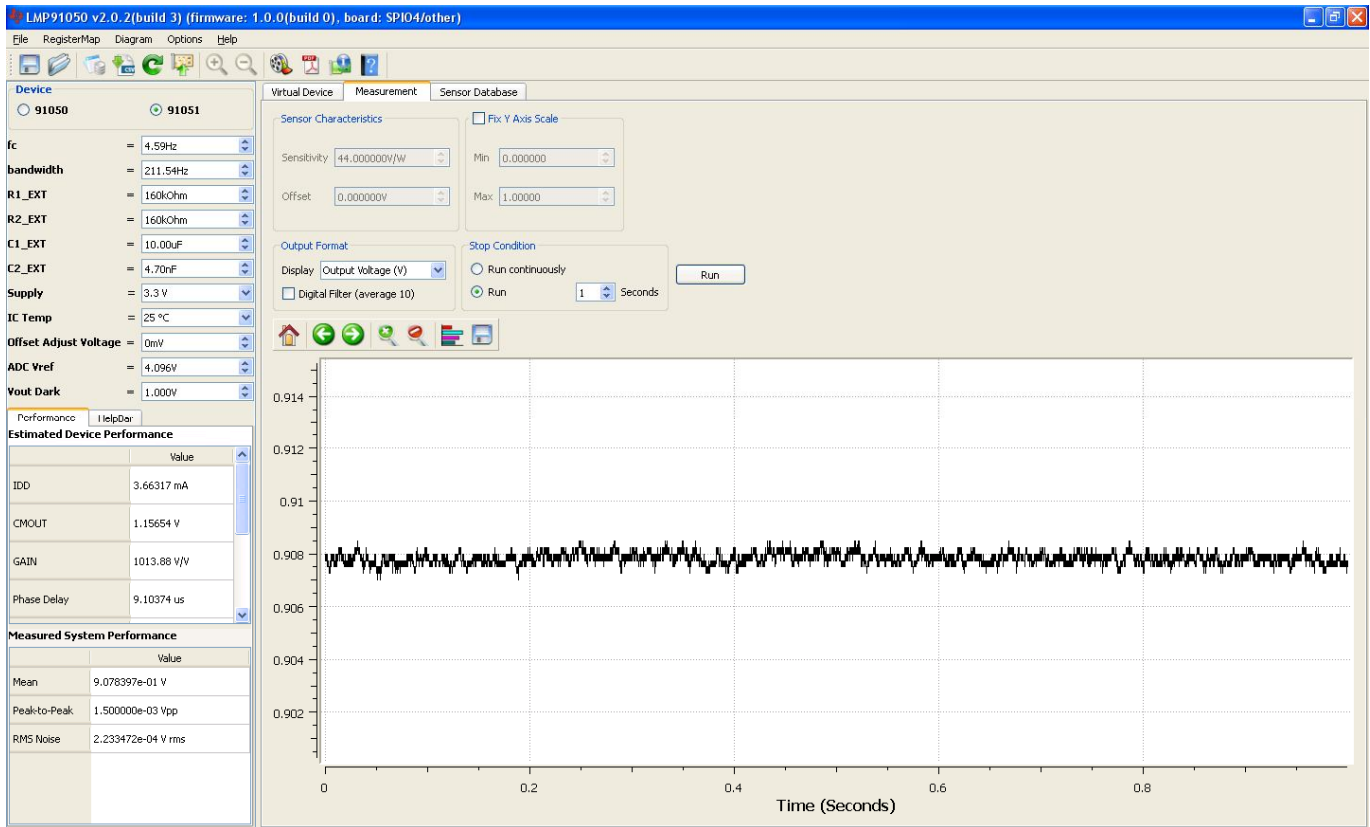


Figure 7: Results of DC Reading

3.4. Powering the LMP91051EVM

There are two ways in which VDD can be sourced: external supply or SPIO-4 power.

If using an external power supply to source VDD, do the following:

1. Connect an external power supply to banana jacks VDD-EXT and GND.
2. Jumper pins 2 and 3 of JP1 to connect the external power to VDD_DUT.

If using the SPIO-4 power to source VDD, then do the following:

1. Jumper pins 1 and 2 of JP1 to connect +3.3V SPIO-4 power to VDD_DUT.

The schematic for the LMP91051EVM can be seen in Figure 10.

3.5. Evaluating the LMP91051 without the SPIO-4 Board

The SPIO-4 digital controller board is used to generate the SPI signals to communicate to the LMP91051. Without the SPIO-4 board, the Sensor AFE software for the LMP91051 cannot be used to capture and analyze data from the LMP91051EVM.

If the SPIO-4 board is not available but LMP91051 evaluation is desirable, then connect your own SPI signals to J1 of the LMP91051EVM as seen below. Reference the LMP91051 datasheet for appropriate SPI timing diagrams. Source LMP91051 VDD with an external power supply per previous section.

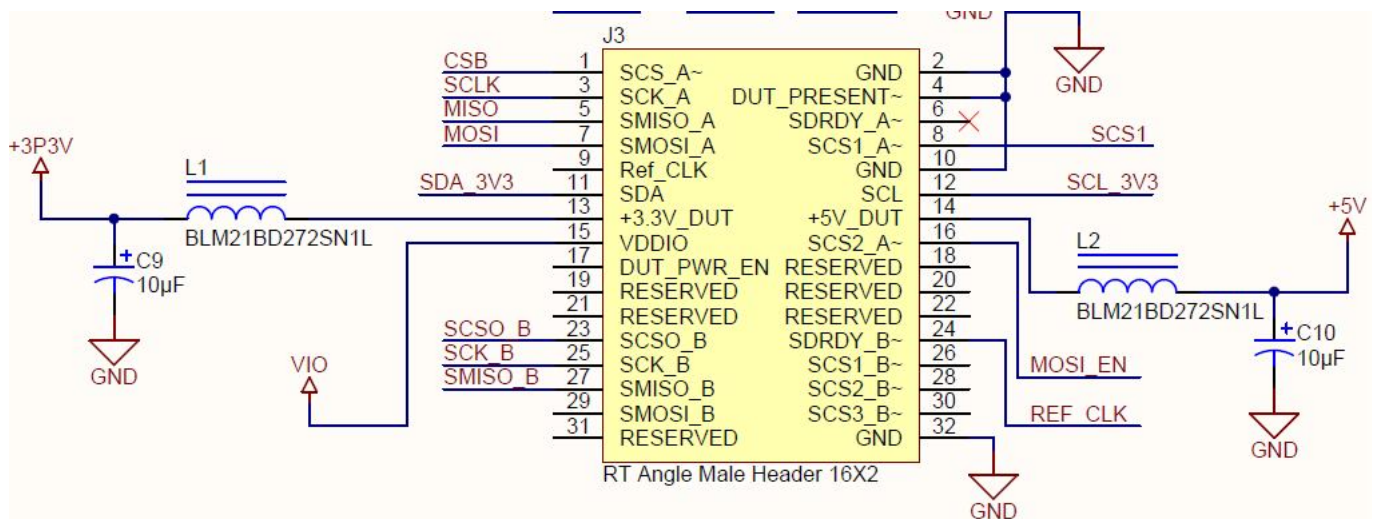


Figure 8: LMP91051EVM's J3 for SPI Signals

Refer to the LMP91051 datasheet for more information on the LMP91051's SPI protocol.

4. Installing the Sensor AFE Software

Each Sensor AFE product will have its own software. To access the Sensor AFE software for LMP91051, follow the steps below.

1. Getting the Zip Files

- a. You can find the latest downloadable Sensor AFE software at ti.com/sensorafe
- b. Download the zip file onto your local hard drive. Unzip this folder.

2. Installing the Driver - skip this step if you don't have the LMP91051EVM and SPIO4 digital controller board.

- a. See the provided **Installation Guide For SensorAFE Drivers.pdf**.

3. Installing the Software

a. See the provided **Installation Guide for LMP91050 SensorAFE Software.pdf**

- i. Note: If you run the software without the boards, you'll get an error message. Ignore that error message and click "Ok" to continue.

5. Board Layout

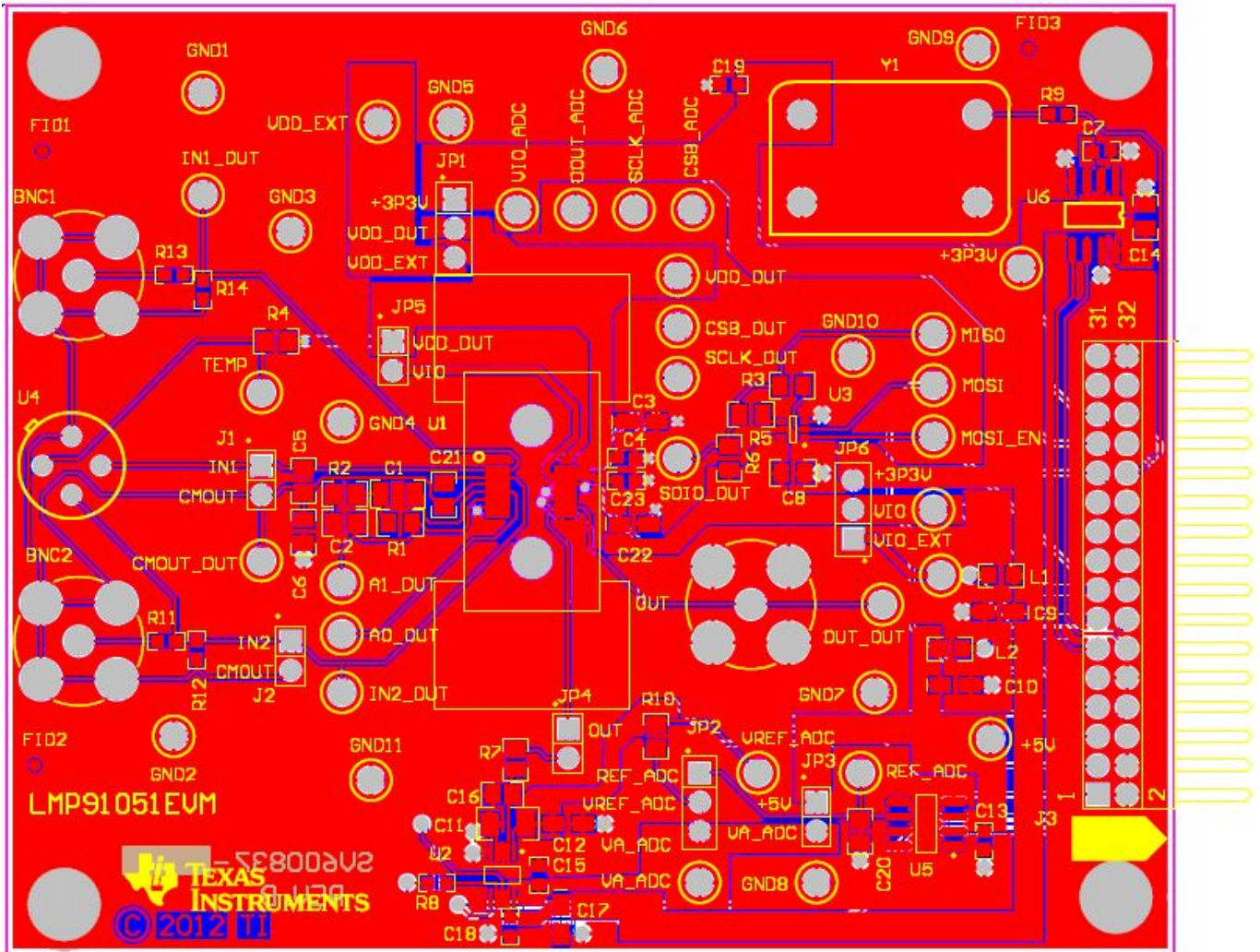
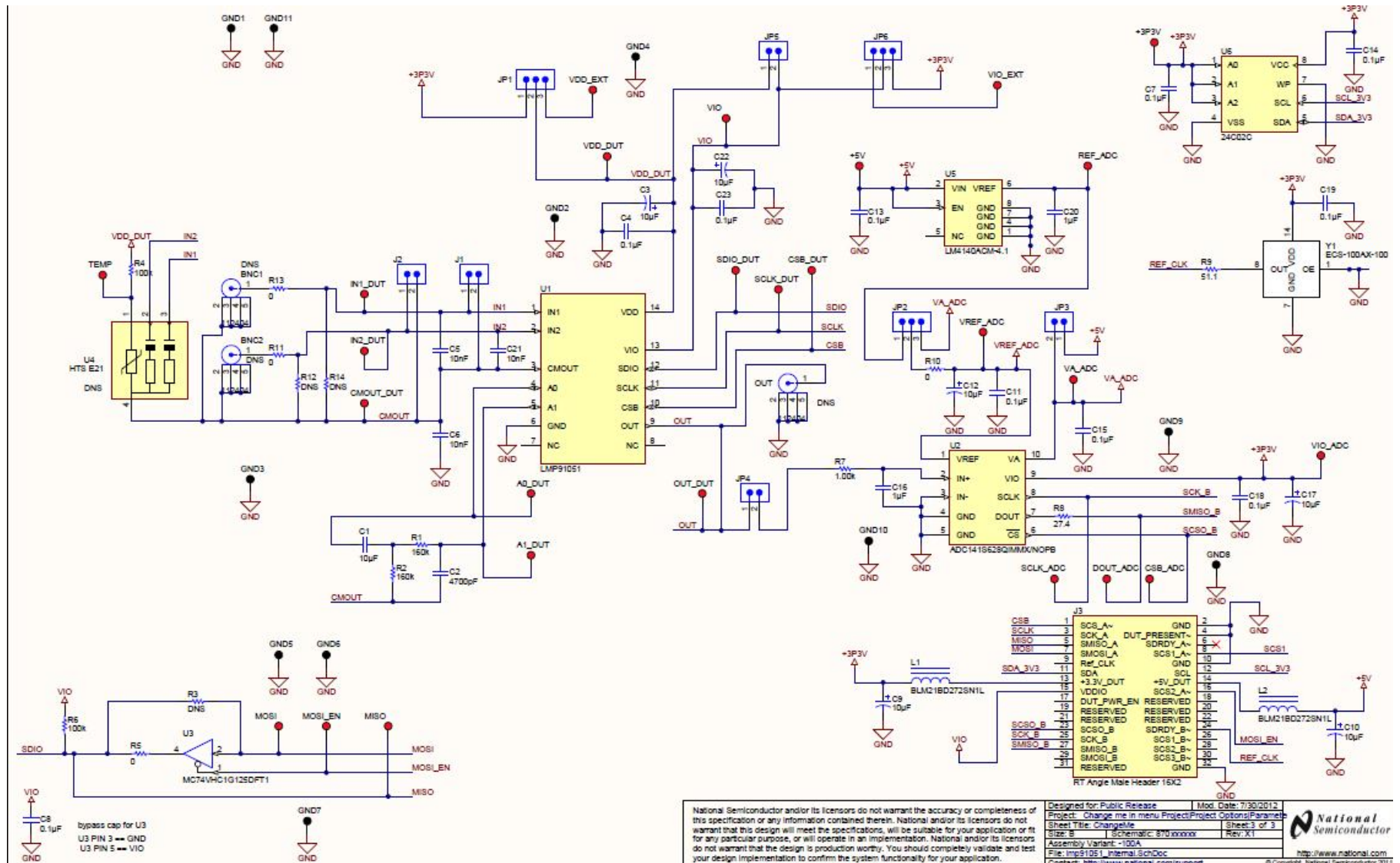


Figure 9: LMP91051EVM Layout

6. Schematic



National Semiconductor and/or its licensors do not warrant the accuracy or completeness of this specification or any information contained therein. National and/or its licensors do not warrant that this design will meet the specifications, will be suitable for your application or fit for any particular purpose, or will operate in an implementation. National and/or its licensors do not warrant that the design is production worthy. You should completely validate and test your design implementation to confirm the system functionality for your application.

Designed for Public Release | Mod. Date: 7/30/2013
 Project: Change me in menu Project/Project Options/Parameters | Sheet 3 of 3
 Sheet Title: Changeable | Schematic: 870xxxxxx | Rev: X1
 Size: B | Assembly Variant: -100A
 File: lmp91051_Internal_SchDoc | http://www.national.com
 Contact: http://www.national.com/support | © Copyright, National Semiconductor 2011

Figure 10: LMP91051EVM Schematic

7. BOM

LMP91051EVM Bill of Materials

| Item | Designator | Description | Manufacturer | PartNumber | Quantity |
|------|--|---|-----------------------------|--------------------|----------|
| 1 | +3P3V, +5V, A0_DUT, A1_DUT, CMOOUT_DUT, CSB_ADC, CSB_DUT, DOUT_ADC, IN1_DUT, IN2_DUT, MISO, MOSI, MOSI_EN, OUT_DUT, REF_ADC, SCLK_ADC, SCLK_DUT, SDIO_DUT, TEMP, VA_ADC, VDD_DUT, VDD_EXT, VIO, VIO_ADC, VIO_EXT, VREF_ADC | Test Point, TH, Compact, Red | Keystone Electronics | 5005 | 26 |
| 2 | AA1 | Printed Circuit Board | TBD by TI | 551xxxxx-001 REV A | 1 |
| 3 | BNC1, BNC2, OUT | DNS | Amphenol Connex | 112404 | 3 |
| 4 | C1 | CAP, CERM, 10uF, 6.3V, +/-20%, X5R, 1206 | TDK | C3216X5R0J106M | 1 |
| 5 | C2 | CAP CER 4700PF 250V X7R 10% 0805 | TDK | C2012X7R2E472K | 1 |
| 6 | C3, C9, C10, C12, C17, C22 | CAP, TANT, 10uF, 10V, +/-20%, 3.4 ohm, 3216-18 SMD | Vishay-Sprague | 293D106X0010A2TE3 | 6 |
| 7 | C4, C7, C13, C15, C18, C19, C23 | CAP, CERM, 0.1uF, 16V, +/-5%, X7R, 0603 | AVX | 0603YC104JAT2A | 7 |
| 8 | C5, C6, C21 | CAP, CERM, 10nF, 50V, +/-5%, C0G/NP0, 0805 | MuRata | GRM2195C1H103JA01D | 3 |
| 9 | C8, C14 | CAP, CERM, 0.1uF, 25V, +/-10%, X7R, 0805 | AVX | 08053C104KAT2A | 2 |
| 10 | C11 | CAP, CERM, 0.1uF, 100V, +/-5%, X7R, 1206 | AVX | 12061C104JAT2A | 1 |
| 11 | C16, C20 | CAP, CERM, 1uF, 10V, +/-10%, X7R, 0805 | AVX | 0805ZC105KAT2A | 2 |
| 12 | FID1, FID2, FID3 | Fiducial mark. There is nothing to buy or mount. | N/A | N/A | 3 |
| 13 | GND1, GND2, GND3, GND4, GND5, GND6, GND7, GND8, GND9, GND10, GND11 | Test Point, TH, Compact, Black | Keystone Electronics | 5006 | 11 |
| 14 | H1, H2, H3, H4 | Bump Hemisphere | B&F Fastener Supply | NY PMS 440 0025 PH | 4 |
| 15 | J1, J2, JP3, JP4, JP5 | Header, TH, 100mil, 2x1, Gold plated, 230 mil above insulator | Samtec Inc. | TSW-102-07-G-S | 5 |
| 16 | J3 | SPIO-GPSI16 Header, 16-Pin, Dual row, Right Angle | Sullins Connector Solutions | PBC36DGAN | 1 |
| 17 | JP1, JP2, JP6 | Header, TH, 100mil, 1x3, Gold plated, 230 mil above insulator | Samtec Inc. | TSW-103-07-G-S | 3 |
| 18 | L1, L2 | Ferrite, Chip, 200mA, .080 ohm, SMD | Würth Elektronik eiSos | BLM21BD272SN1L | 2 |
| 19 | R1, R2 | RES, 160k ohm, 5%, 0.125W, 0805 | Vishay-Dale | CRCW0805160KJNEA | 2 |
| 20 | R3 | DNS | Vishay-Dale | DNS | 1 |
| 21 | R4 | RES, 100k ohm, 5%, 0.125W, 0805 | Vishay-Dale | CRCW0805100KJNEA | 1 |
| 22 | R5, R10 | RES, 0 ohm, 5%, 0.125W, 0805 | Vishay-Dale | CRCW08050000Z0EA | 2 |

| | | | | | |
|----|--------------------|---|-------------------|----------------------|---|
| 23 | R6 | RES, 100k ohm, 1%, 0.125W, 0805 | Vishay-Dale | CRCW0805100KFKEA | 1 |
| 24 | R7 | RES, 1.00k ohm, 1%, 0.125W, 0805 | Vishay-Dale | CRCW08051K00FKEA | 1 |
| 25 | R8 | RES, 27.4 ohm, 1%, 0.1W, 0603 | Vishay-Dale | CRCW060327R4FKEA | 1 |
| 26 | R9 | RES, 51.1 ohm, 1%, 0.1W, 0603 | Vishay-Dale | CRCW060351R1FKEA | 1 |
| 27 | R11, R12, R13, R14 | DNS | Vishay-Dale | CRCW06031R00JNEA | 4 |
| 28 | U1 | LMP91051 | Texas Instruments | LMP91051 | 1 |
| 29 | U2 | 16-Bit, 50 to 250 kSPS, Differential Input, MicroPower ADC, 10-pin Mini SOIC, Pb-Free | Texas Instruments | ADC141S628QIMMX/NOPB | 1 |
| 30 | U3 | Non-Inverting 3-State Buffer | Texas Instruments | SN74AHC1G125DCKR | 1 |
| 31 | U4 | DNS | Heimann | HMS J21 | 1 |
| 32 | U5 | Precision Micropower Low Dropout Voltage Reference, 8-pin Narrow SOIC | Texas Instruments | LM4140ACM-4.1 | 1 |
| 33 | U6 | 2K 5.0V I2C Serial EEPROM | On Semiconductor | CAT24C02WI-GT3 | 1 |
| 34 | Y1 | Osc 4.000Mhz 5.0V Full Size | ECS Inc | ECS-100AX-100 | 1 |
| 35 | Y1A | Oscillator Socket | Aires Electronics | A462-ND | 1 |

EVALUATION BOARD/KIT/MODULE (EVM) ADDITIONAL TERMS

Texas Instruments (TI) provides the enclosed Evaluation Board/Kit/Module (EVM) under the following conditions: The user assumes all responsibility and liability for proper and safe handling of the goods. Further, the user indemnifies TI from all claims arising from the handling or use of the goods.

Should this evaluation board/kit not meet the specifications indicated in the User's Guide, the board/kit may be returned within 30 days from the date of delivery for a full refund. THE FOREGOING LIMITED WARRANTY IS THE EXCLUSIVE WARRANTY MADE BY SELLER TO BUYER AND IS IN LIEU OF ALL OTHER WARRANTIES, EXPRESSED, IMPLIED, OR STATUTORY, INCLUDING ANY WARRANTY OF MERCHANTABILITY OR FITNESS FOR ANY PARTICULAR PURPOSE. EXCEPT TO THE EXTENT OF THE INDEMNITY SET FORTH ABOVE, NEITHER PARTY SHALL BE LIABLE TO THE OTHER FOR ANY INDIRECT, SPECIAL, INCIDENTAL, OR CONSEQUENTIAL DAMAGES.

Please read the User's Guide and, specifically, the Warnings and Restrictions notice in the User's Guide prior to handling the product. This notice contains important safety information about temperatures and voltages. For additional information on TI's environmental and/or safety programs, please visit www.ti.com/esh or contact TI.

No license is granted under any patent right or other intellectual property right of TI covering or relating to any machine, process, or combination in which such TI products or services might be or are used. TI currently deals with a variety of customers for products, and therefore our arrangement with the user is not exclusive. TI assumes no liability for applications assistance, customer product design, software performance, or infringement of patents or services described herein.

REGULATORY COMPLIANCE INFORMATION

As noted in the EVM User's Guide and/or EVM itself, this EVM and/or accompanying hardware may or may not be subject to the Federal Communications Commission (FCC) and Industry Canada (IC) rules.

For EVMs **not** subject to the above rules, this evaluation board/kit/module is intended for use for ENGINEERING DEVELOPMENT, DEMONSTRATION OR EVALUATION PURPOSES ONLY and is not considered by TI to be a finished end product fit for general consumer use. It generates, uses, and can radiate radio frequency energy and has not been tested for compliance with the limits of computing devices pursuant to part 15 of FCC or ICES-003 rules, which are designed to provide reasonable protection against radio frequency interference. Operation of the equipment may cause interference with radio communications, in which case the user at his own expense will be required to take whatever measures may be required to correct this interference.

General Statement for EVMs including a radio

User Power/Frequency Use Obligations: This radio is intended for development/professional use only in legally allocated frequency and power limits. Any use of radio frequencies and/or power availability of this EVM and its development application(s) must comply with local laws governing radio spectrum allocation and power limits for this evaluation module. It is the user's sole responsibility to only operate this radio in legally acceptable frequency space and within legally mandated power limitations. Any exceptions to this are strictly prohibited and unauthorized by Texas Instruments unless user has obtained appropriate experimental/development licenses from local regulatory authorities, which is responsibility of user including its acceptable authorization.

For EVMs annotated as FCC – FEDERAL COMMUNICATIONS COMMISSION Part 15 Compliant

Caution

This device complies with part 15 of the FCC Rules. Operation is subject to the following two conditions: (1) This device may not cause harmful interference, and (2) this device must accept any interference received, including interference that may cause undesired operation.

Changes or modifications not expressly approved by the party responsible for compliance could void the user's authority to operate the equipment.

FCC Interference Statement for Class A EVM devices

This equipment has been tested and found to comply with the limits for a Class A digital device, pursuant to part 15 of the FCC Rules. These limits are designed to provide reasonable protection against harmful interference when the equipment is operated in a commercial environment. This equipment generates, uses, and can radiate radio frequency energy and, if not installed and used in accordance with the instruction manual, may cause harmful interference to radio communications. Operation of this equipment in a residential area is likely to cause harmful interference in which case the user will be required to correct the interference at his own expense.

FCC Interference Statement for Class B EVM devices

This equipment has been tested and found to comply with the limits for a Class B digital device, pursuant to part 15 of the FCC Rules. These limits are designed to provide reasonable protection against harmful interference in a residential installation. This equipment generates, uses and can radiate radio frequency energy and, if not installed and used in accordance with the instructions, may cause harmful interference to radio communications. However, there is no guarantee that interference will not occur in a particular installation. If this equipment does cause harmful interference to radio or television reception, which can be determined by turning the equipment off and on, the user is encouraged to try to correct the interference by one or more of the following measures:

- Reorient or relocate the receiving antenna.
- Increase the separation between the equipment and receiver.
- Connect the equipment into an outlet on a circuit different from that to which the receiver is connected.
- Consult the dealer or an experienced radio/TV technician for help.

For EVMs annotated as IC – INDUSTRY CANADA Compliant

This Class A or B digital apparatus complies with Canadian ICES-003.

Changes or modifications not expressly approved by the party responsible for compliance could void the user's authority to operate the equipment.

Concerning EVMs including radio transmitters

This device complies with Industry Canada licence-exempt RSS standard(s). Operation is subject to the following two conditions: (1) this device may not cause interference, and (2) this device must accept any interference, including interference that may cause undesired operation of the device.

Concerning EVMs including detachable antennas

Under Industry Canada regulations, this radio transmitter may only operate using an antenna of a type and maximum (or lesser) gain approved for the transmitter by Industry Canada. To reduce potential radio interference to other users, the antenna type and its gain should be so chosen that the equivalent isotropically radiated power (e.i.r.p.) is not more than that necessary for successful communication.

This radio transmitter has been approved by Industry Canada to operate with the antenna types listed in the user guide with the maximum permissible gain and required antenna impedance for each antenna type indicated. Antenna types not included in this list, having a gain greater than the maximum gain indicated for that type, are strictly prohibited for use with this device.

Cet appareil numérique de la classe A ou B est conforme à la norme NMB-003 du Canada.

Les changements ou les modifications pas expressément approuvés par la partie responsable de la conformité ont pu vider l'autorité de l'utilisateur pour actionner l'équipement.

Concernant les EVMs avec appareils radio

Le présent appareil est conforme aux CNR d'Industrie Canada applicables aux appareils radio exempts de licence. L'exploitation est autorisée aux deux conditions suivantes : (1) l'appareil ne doit pas produire de brouillage, et (2) l'utilisateur de l'appareil doit accepter tout brouillage radioélectrique subi, même si le brouillage est susceptible d'en compromettre le fonctionnement.

Concernant les EVMs avec antennes détachables

Conformément à la réglementation d'Industrie Canada, le présent émetteur radio peut fonctionner avec une antenne d'un type et d'un gain maximal (ou inférieur) approuvé pour l'émetteur par Industrie Canada. Dans le but

de réduire les risques de brouillage radioélectrique à l'intention des autres utilisateurs, il faut choisir le type d'antenne et son gain de sorte que la puissance isotrope rayonnée équivalente (p.i.r.e.) ne dépasse pas l'intensité nécessaire à l'établissement d'une communication satisfaisante.

Le présent émetteur radio a été approuvé par Industrie Canada pour fonctionner avec les types d'antenne énumérés dans le manuel d'usage et ayant un gain admissible maximal et l'impédance requise pour chaque type d'antenne. Les types d'antenne non inclus dans cette liste, ou dont le gain est supérieur au gain maximal indiqué, sont strictement interdits pour l'exploitation de l'émetteur.

[Important Notice for Users of this Product in Japan]

This development kit is NOT certified as Confirming to Technical Regulations of Radio Law of Japan

If you use this product in Japan, you are required by Radio Law of Japan to follow the instructions below with respect to this product:

1. Use this product in a shielded room or any other test facility as defined in the notification #173 issued by Ministry of Internal Affairs and Communications on March 28, 2006, based on Sub-section 1.1 of Article 6 of the Ministry's Rule for Enforcement of Radio Law of Japan,
2. Use this product only after you obtained the license of Test Radio Station as provided in Radio Law of Japan with respect to this product, or
3. Use of this product only after you obtained the Technical Regulations Conformity Certification as provided in Radio Law of Japan with respect to this product. Also, please do not transfer this product, unless you give the same notice above to the transferee. Please note that if you could not follow the instructions above, you will be subject to penalties of Radio Law of Japan.

Texas Instruments Japan Limited
(address) 24-1, Nishi-Shinjuku 6 chome, Shinjuku-ku, Tokyo, Japan

<http://www.tij.co.jp>

【ご使用にあたっての注】

本開発キットは技術基準適合証明を受けておりません。

本製品のご使用に際しては、電波法遵守のため、以下のいずれかの措置を取っていただく必要がありますのでご注意ください。

1. 電波法施行規則第6条第1項第1号に基づく平成18年3月28日総務省告示第173号で定められた電波暗室等の試験設備でご使用いただく。
2. 実験局の免許を取得後ご使用いただく。
3. 技術基準適合証明を取得後ご使用いただく。

なお、本製品は、上記の「ご使用にあたっての注意」を譲渡先、移転先に通知しない限り、譲渡、移転できないものとします。

上記を遵守頂けない場合は、電波法の罰則が適用される可能性があることをご留意ください。

日本テキサス・インスツルメンツ株式会社

東京都新宿区西新宿6丁目24番1号

西新宿三井ビル

<http://www.tij.co.jp>

EVALUATION BOARD/KIT/MODULE (EVM) WARNINGS, RESTRICTIONS AND DISCLAIMERS

For Feasibility Evaluation Only, in Laboratory/Development Environments. Unless otherwise indicated, this EVM is not a finished electrical equipment and not intended for consumer use. It is intended solely for use for preliminary feasibility evaluation in laboratory/development environments by technically qualified electronics experts who are familiar with the dangers and application risks associated with handling electrical mechanical components, systems and subsystems. It should not be used as all or part of a finished end product.

Your Sole Responsibility and Risk. You acknowledge, represent and agree that:

1. You have unique knowledge concerning Federal, State and local regulatory requirements (including but not limited to Food and Drug Administration regulations, if applicable) which relate to your products and which relate to your use (and/or that of your employees, affiliates, contractors or designees) of the EVM for evaluation, testing and other purposes.
2. You have full and exclusive responsibility to assure the safety and compliance of your products with all such laws and other applicable regulatory requirements, and also to assure the safety of any activities to be conducted by you and/or your employees, affiliates, contractors or designees, using the EVM. Further, you are responsible to assure that any interfaces (electronic and/or mechanical) between the EVM and any human body are designed with suitable isolation and means to safely limit accessible leakage currents to minimize the risk of electrical shock hazard.
3. You will employ reasonable safeguards to ensure that your use of the EVM will not result in any property damage, injury or death, even if the EVM should fail to perform as described or expected.
4. You will take care of proper disposal and recycling of the EVM's electronic components and packing materials.

Certain Instructions. It is important to operate this EVM within TI's recommended specifications and environmental considerations per the user guidelines. Exceeding the specified EVM ratings (including but not limited to input and output voltage, current, power, and environmental ranges) may cause property damage, personal injury or death. If there are questions concerning these ratings please contact a TI field representative prior to connecting interface electronics including input power and intended loads. Any loads applied outside of the specified output range may result in unintended and/or inaccurate operation and/or possible permanent damage to the EVM and/or interface electronics. Please consult the EVM User's Guide prior to connecting any load to the EVM output. If there is uncertainty as to the load specification, please contact a TI field representative. During normal operation, some circuit components may have case temperatures greater than 60°C as long as the input and output are maintained at a normal ambient operating temperature. These components include but are not limited to linear regulators, switching transistors, pass transistors, and current sense resistors which can be identified using the EVM schematic located in the EVM User's Guide. When placing measurement probes near these devices during normal operation, please be aware that these devices may be very warm to the touch. As with all electronic evaluation tools, only qualified personnel knowledgeable in electronic measurement and diagnostics normally found in development environments should use these EVMs.

Agreement to Defend, Indemnify and Hold Harmless. You agree to defend, indemnify and hold TI, its licensors and their representatives harmless from and against any and all claims, damages, losses, expenses, costs and liabilities (collectively, "Claims") arising out of or in connection with any use of the EVM that is not in accordance with the terms of the agreement. This obligation shall apply whether Claims arise under law of tort or contract or any other legal theory, and even if the EVM fails to perform as described or expected.

Safety-Critical or Life-Critical Applications. If you intend to evaluate the components for possible use in safety critical applications (such as life support) where a failure of the TI product would reasonably be expected to cause severe personal injury or death, such as devices which are classified as FDA Class III or similar classification, then you must specifically notify TI of such intent and enter into a separate Assurance and Indemnity Agreement.

IMPORTANT NOTICE

Texas Instruments Incorporated and its subsidiaries (TI) reserve the right to make corrections, enhancements, improvements and other changes to its semiconductor products and services per JESD46, latest issue, and to discontinue any product or service per JESD48, latest issue. Buyers should obtain the latest relevant information before placing orders and should verify that such information is current and complete. All semiconductor products (also referred to herein as "components") are sold subject to TI's terms and conditions of sale supplied at the time of order acknowledgment.

TI warrants performance of its components to the specifications applicable at the time of sale, in accordance with the warranty in TI's terms and conditions of sale of semiconductor products. Testing and other quality control techniques are used to the extent TI deems necessary to support this warranty. Except where mandated by applicable law, testing of all parameters of each component is not necessarily performed.

TI assumes no liability for applications assistance or the design of Buyers' products. Buyers are responsible for their products and applications using TI components. To minimize the risks associated with Buyers' products and applications, Buyers should provide adequate design and operating safeguards.

TI does not warrant or represent that any license, either express or implied, is granted under any patent right, copyright, mask work right, or other intellectual property right relating to any combination, machine, or process in which TI components or services are used. Information published by TI regarding third-party products or services does not constitute a license to use such products or services or a warranty or endorsement thereof. Use of such information may require a license from a third party under the patents or other intellectual property of the third party, or a license from TI under the patents or other intellectual property of TI.

Reproduction of significant portions of TI information in TI data books or data sheets is permissible only if reproduction is without alteration and is accompanied by all associated warranties, conditions, limitations, and notices. TI is not responsible or liable for such altered documentation. Information of third parties may be subject to additional restrictions.

Resale of TI components or services with statements different from or beyond the parameters stated by TI for that component or service voids all express and any implied warranties for the associated TI component or service and is an unfair and deceptive business practice. TI is not responsible or liable for any such statements.

Buyer acknowledges and agrees that it is solely responsible for compliance with all legal, regulatory and safety-related requirements concerning its products, and any use of TI components in its applications, notwithstanding any applications-related information or support that may be provided by TI. Buyer represents and agrees that it has all the necessary expertise to create and implement safeguards which anticipate dangerous consequences of failures, monitor failures and their consequences, lessen the likelihood of failures that might cause harm and take appropriate remedial actions. Buyer will fully indemnify TI and its representatives against any damages arising out of the use of any TI components in safety-critical applications.

In some cases, TI components may be promoted specifically to facilitate safety-related applications. With such components, TI's goal is to help enable customers to design and create their own end-product solutions that meet applicable functional safety standards and requirements. Nonetheless, such components are subject to these terms.

No TI components are authorized for use in FDA Class III (or similar life-critical medical equipment) unless authorized officers of the parties have executed a special agreement specifically governing such use.

Only those TI components which TI has specifically designated as military grade or "enhanced plastic" are designed and intended for use in military/aerospace applications or environments. Buyer acknowledges and agrees that any military or aerospace use of TI components which have **not** been so designated is solely at the Buyer's risk, and that Buyer is solely responsible for compliance with all legal and regulatory requirements in connection with such use.

TI has specifically designated certain components which meet ISO/TS16949 requirements, mainly for automotive use. Components which have not been so designated are neither designed nor intended for automotive use; and TI will not be responsible for any failure of such components to meet such requirements.

Products

| | |
|------------------------------|--|
| Audio | www.ti.com/audio |
| Amplifiers | amplifier.ti.com |
| Data Converters | dataconverter.ti.com |
| DLP® Products | www.dlp.com |
| DSP | dsp.ti.com |
| Clocks and Timers | www.ti.com/clocks |
| Interface | interface.ti.com |
| Logic | logic.ti.com |
| Power Mgmt | power.ti.com |
| Microcontrollers | microcontroller.ti.com |
| RFID | www.ti-rfid.com |
| OMAP Applications Processors | www.ti.com/omap |
| Wireless Connectivity | www.ti.com/wirelessconnectivity |

Applications

| | |
|-------------------------------|--|
| Automotive and Transportation | www.ti.com/automotive |
| Communications and Telecom | www.ti.com/communications |
| Computers and Peripherals | www.ti.com/computers |
| Consumer Electronics | www.ti.com/consumer-apps |
| Energy and Lighting | www.ti.com/energy |
| Industrial | www.ti.com/industrial |
| Medical | www.ti.com/medical |
| Security | www.ti.com/security |
| Space, Avionics and Defense | www.ti.com/space-avionics-defense |
| Video and Imaging | www.ti.com/video |

TI E2E Community

e2e.ti.com