

DP83867ERGZ EVM User's Guide

User's Guide



Literature Number: SNLU190
October 2015

1	Introduction	4
1.1	Purpose.....	4
1.2	Key Features.....	4
1.3	Description	4
1.4	Applications	4
1.5	Operation – Quick Setup	5
2	Board Setup Details	6
2.1	Block Diagram	6
2.2	Power Supply Options.....	7
2.3	Serial Management and MAC Interfaces	7
2.4	LED Options	7
2.5	Bootstrap Options/Jumpers	8
2.6	JTAG Interface	8
2.7	Clock Options.....	8
2.8	Capacitive Coupling.....	9
2.9	Schematics	10
2.10	Layout	15
2.11	Board Assembly	23
2.12	Board Marking (Silk).....	25
2.13	Bill of Materials (BOM)	27

DP83867ERGZ User's Guide

The DP83867ERGZ RGMII EVM (DP83867ERGZ-R-EVM) supports 1000/100/10 Mb/s and is compliant with the IEEE 802.3 standard. This reference design supports RGMII interfaces.

The DP83867ERGZ-R-EVM includes three onboard status LEDs, 5V connectors with onboard LDOs, and is JTAG accessible. The EVM is capable of providing a 125MHz reference clock from an onboard 25MHz crystal. Serial management interface, MDIO/MDC, is supported and can be used to access PHY registers for additional features. There are 4-level straps, which allow for system configurations without the need to directly access PHY registers. External power supplies can be connected to each specified voltage rail for additional system evaluation. The EVM supports Wake-on-LAN, Start of Frame Detect IEEE 1588 Time Stamp and configurable I/O voltages.

1 Introduction

1.1 Purpose

This user guide details the characteristics, operation, and use of the Industrial Ethernet DP83867ERGZ EVM. The EVM enables Texas Instruments customers to quickly design and market systems using the DP83867ERGZ. This document also includes schematic diagrams, a printed-circuit board layout, board assembly, board marking drawings, and a bill of materials.

1.2 Key Features

- 1000BASE-T, 100BASE-TX and 10BASE-T IEEE 802.3 compliant
- RGMII MAC interfaces
- SFD IEEE 1588 Time Stamp
- JTAG interface
- Three status LEDs
- Low Power Modes
 - Active Sleep
 - Passive Sleep
 - IEEE Power Down
 - Deep Power Down
- Wake-on-LAN
- Variable I/O voltage range: 1.8V, 2.5V and 3.3V
- 1000BASE-T error free data transfer over 125 meters on CAT5 cable

1.3 Description

The Industrial Ethernet DP83867ERGZ EVM has an RJ45 connector with integrated magnetics, jumper configurable straps for easy evaluation and can be operated from a single supply (5V DC jack, J10). Customers are encouraged to use a design similar to the EVM circuit to expedite their product development. Serial management interface pins allow customers to also access additional features by directly controlling PHY registers.

1.4 Applications

- Industrial – Factory Automation
- Wireless Communications Infrastructure
 - Base Stations
 - Small Cell
 - Microwave Backhaul
- Wireline Communications
- Test and Measurements
- Network Printers and Servers
- Consumer Electronics

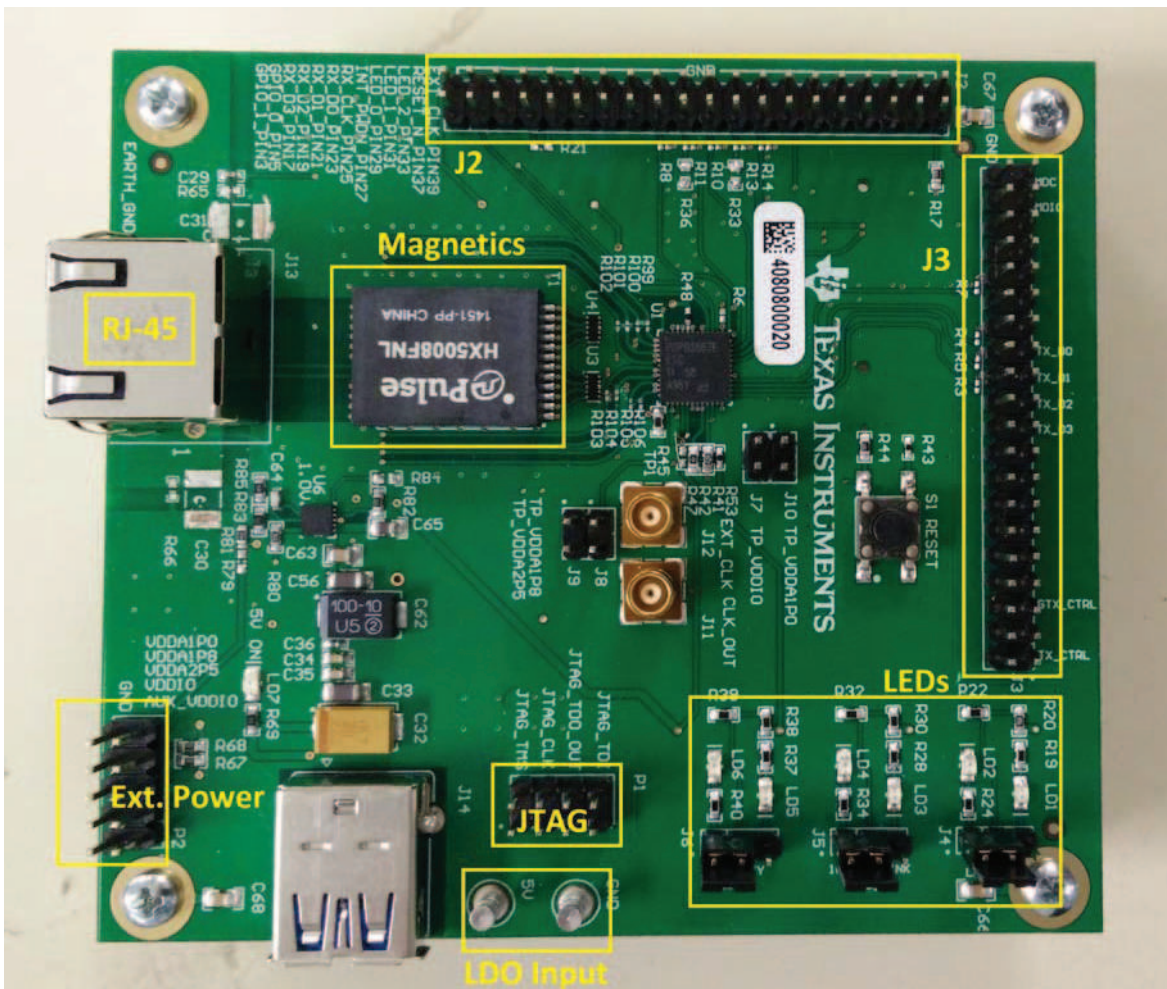


Figure 1. DP83867ERGZ RGMII EVM

1.5 Operation – Quick Setup

- Turn ON the PHY by plugging in a 5V DC source 5V and GND on the EVM. Alternatively, the EVM can be powered up through USB connector.
- Plug a CAT5, CAT5E or CAT6 cable into the integrated RJ45 connector (J13)
- Connect the far end of the Ethernet cable to a link partner
- Connect a MAC interface to J2 and J3
- LED Indication
 - The 5V LED (LD7) will be illuminated if the 5V supply is connected
 - Look for the LINK LED to light up on the DP83867ERGZ EVM after the PHY links with a connected partner.
 - If the link partner supports 1000M mode and a 1000M link is established, then the 1000M LINK LED will light up

2 Board Setup Details

2.1 Block Diagram

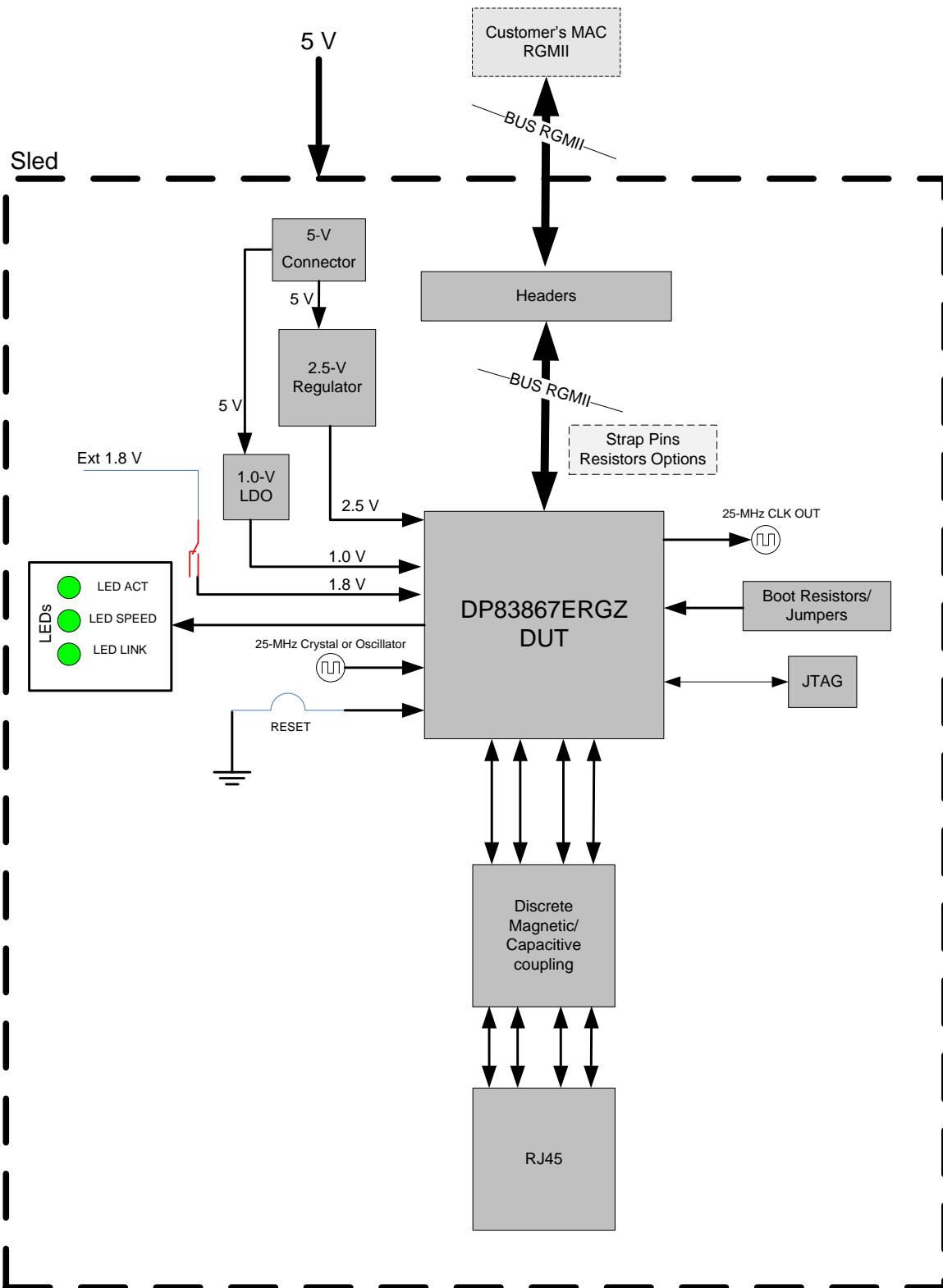


Figure 2. DP83867ERGZ EVM Block Diagram

2.2 Power Supply Options

The DP83867ERGZ EVM power is supplied by a single 5V DC jack. This option uses onboard LDOs to provide 2.5V and 1.0V voltage rails.

The DP83867ERGZ EVM can be operated from external supplies. Connect external supplies to P2:

- Pin 1 – AUX_IOVDD_EXT
- Pin 3 – VDDIO_EXT
- Pin 5 – VDDA2P5_EXT
- Pin 7 – VDDA1P8_AB and VDDA1P8_CD
- Pin 9 – VDDA_1V0_EXT

Do the following to enable external power operation:

- Remove R71, R74, R81
- Populate R67, R68, R70, R77, R79

2.3 Serial Management and MAC Interfaces

The DP83867ERGZ EVM supports serial management (MDIO/MDC) and RGMII MAC interfaces. Serial management interface is accessible through J3. MDIO is located at pin 37 and MDC is located at pin 39. Ground connection between the DP83867ERGZ EVM and serial interface controller is required for proper operation. DP83867ERGZ supports both clause 22 and clause 45 in the IEEE 802.3 specification.

NOTE: The default PHY_ID is '0'. PHY_ID can be changed via strap options found in the datasheet.

MAC interface pins are located on J9 and J8. RGMII/GMII/MII configurations are located in the datasheet and can be configured by bootstrapping or direct register access through the serial management interface. Refer to the DP83867ERGZ datasheet ([SNLS504](#)) for specific pin requirements for each MAC interface.

2.4 LED Options

DP83867ERGZ supports up to four LEDs, Link/Speed/ACT/MLED indications. The DP83867ERGZ EVM has three onboard status LEDs that can be controlled by direct register access using the serial management interface. LED pins can operate as either current sources (when connected to pull-down) or current sinks (when connected to pull-up).

2.5 Bootstrap Options/Jumpers

Some DP83867ERGZ configurations are done through bootstrap options. Options can be selected with resistor population.

The DP83867ERGZ EVM supports the following resistor configurations:

- PHY_ID[4:0]
- SPEED_SEL
- Mirror Enable
- Auto-Negotiation Disable
- RGMII Clock Skew RX[2:0]
- RGMII Clock Skew TX[2:0]

2.6 JTAG Interface

The DP83867ERGZ EVM has JTAG accessible though P1:

- Pin 2 – TRSTN
- Pin 4 – TMS
- Pin 6 – CLK
- Pin 8 – TDO
- Pin 10 – TDI

2.7 Clock Options

The DP83867ERGZ EVM supports three different clock options:

- 25MHz crystal (Default)
- 25MHz oscillator configured by onboard modifications
- External 25MHz reference clock connected to pin 39 on J2 or J12 MCX connector

2.7.1 Default Configuration

The DP83867ERGZ EVM default configuration has a 25MHz crystal. In this mode and external crystal resonator is connected across pins XO and XI.

The crystal must be 25MHz \pm 50ppm-tolerance crystal reference.

2.7.2 25MHz Oscillator Configuration

The DP83867ERGZ can also operate with a 25MHz external CMOS-level oscillator source connected to pin XI only.

Refer to the data sheet ([SNLS504](#)) for OSC requirement specifications.

In order to operate with a 25MHz OSC, the following modifications are required:

- U2 OSC should be mounted – Epson SG-210STF 25MHz \pm 50ppm
- Populate R57 and R59 with 0 Ohm resistors
- Remove R51, R54

2.7.3 External Configuration

External clock can be supplied to the DP83867ERGZ by using pin 39 on J9 or J12 MCX connector.

The external clock must meet the DP83867ERGZ datasheet requirements and to be within 25MHz \pm 50ppm-tolerance. For external clock configuration, X_O should be left floating.

Refer to the data sheet ([SNLS504](#)) for capacitor divider recommendations.

The following changes are required to route an external clock to the DP83867ERGZ for a 1.8V clock source:

- Populate R57, R58 with 0 Ohm resistors.
- Remove R51, R54.

2.8 Capacitive Coupling

The EVM can be operated in capacitive coupling mode instead of the magnetic coupling mode. The following changes are required for capacitive coupling.

- Populate C17, C19, C20, C22, C 23, C25, C26, C28, R99-R106.
- Remove R91-R98 & T1.

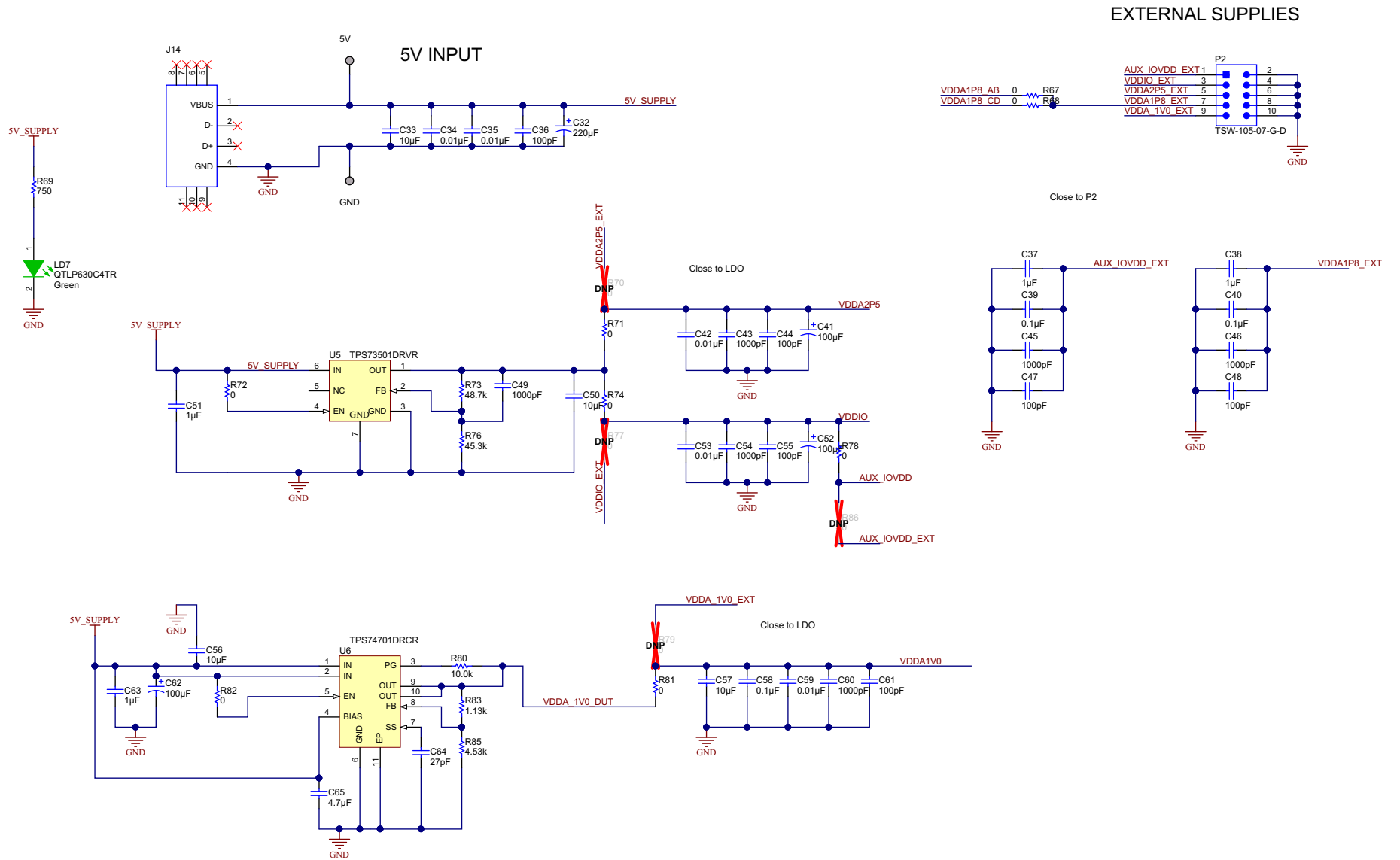


Figure 4. Schematic (2 of 5)

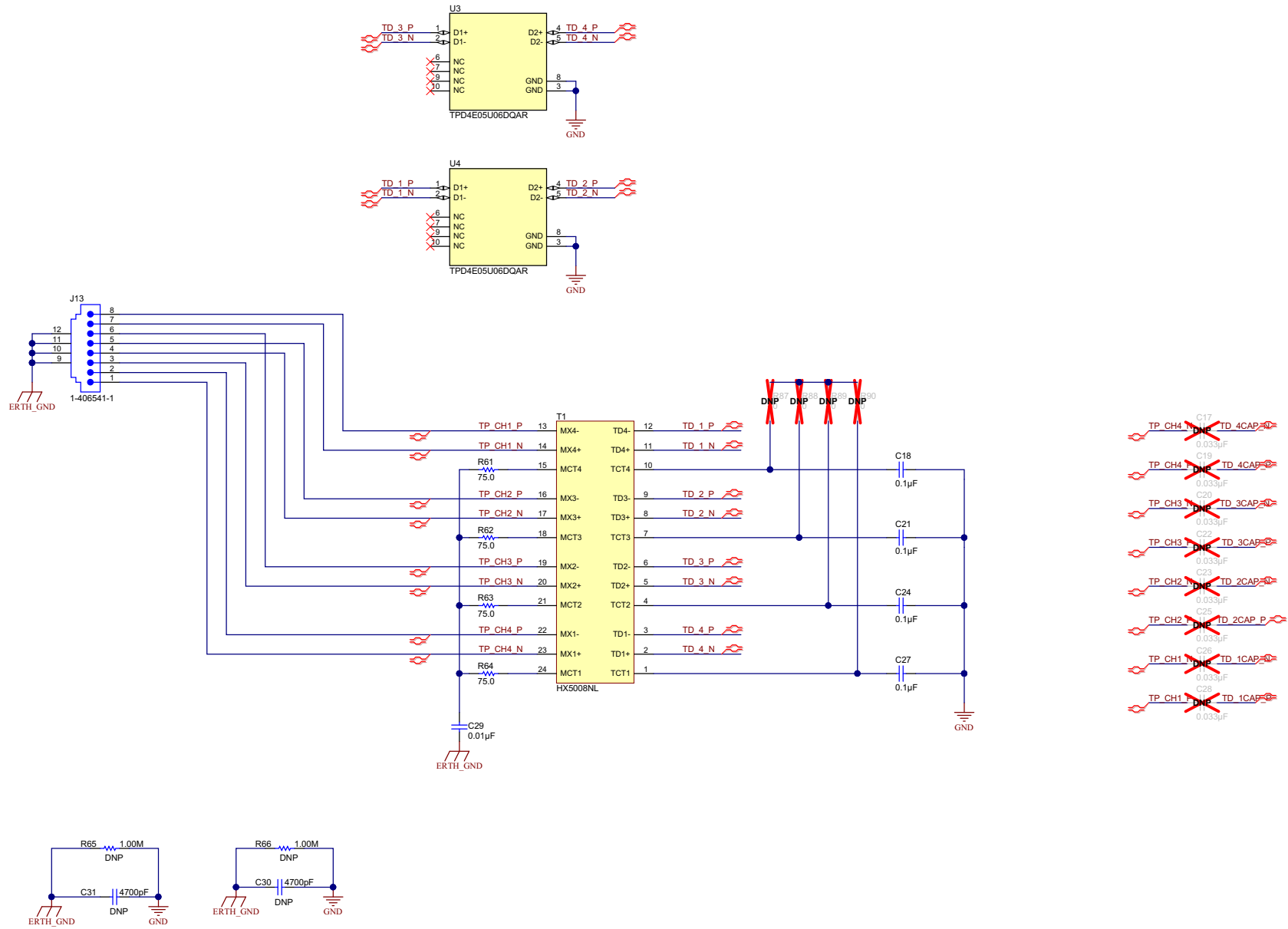


Figure 5. Schematic (3 of 5)

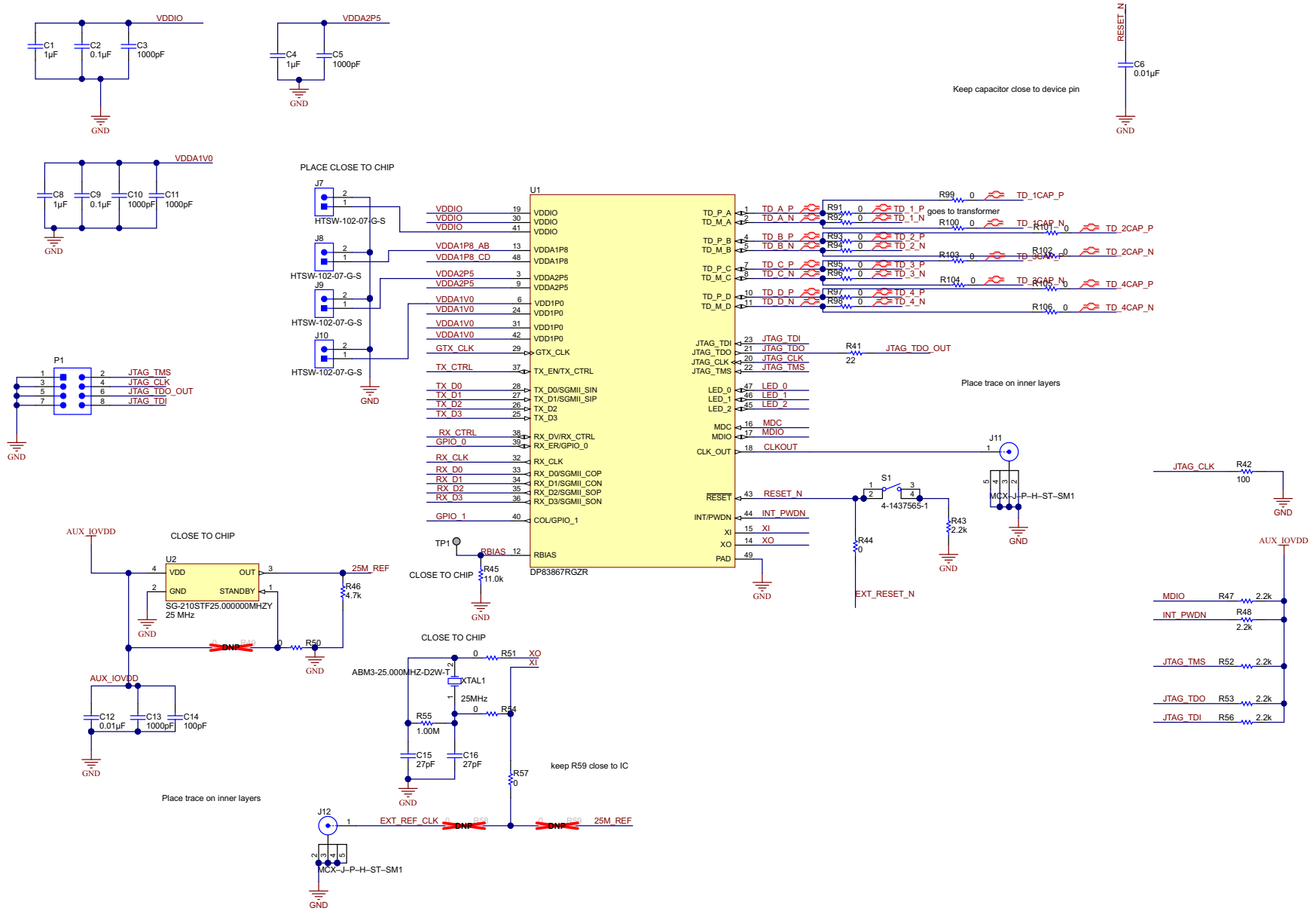
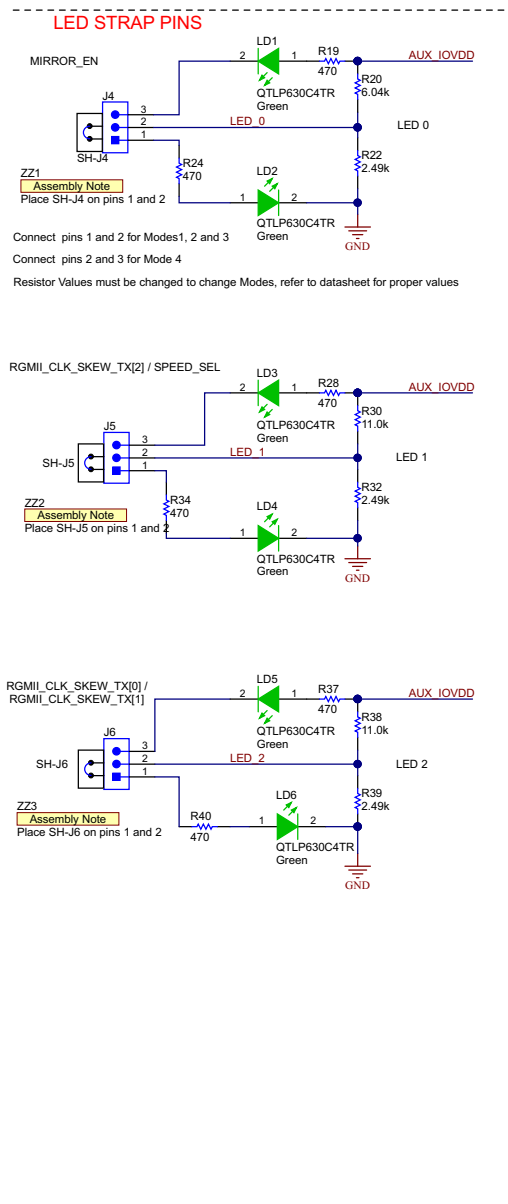


Figure 6. Schematic (4 of 5)



CONFIGURATION PINS

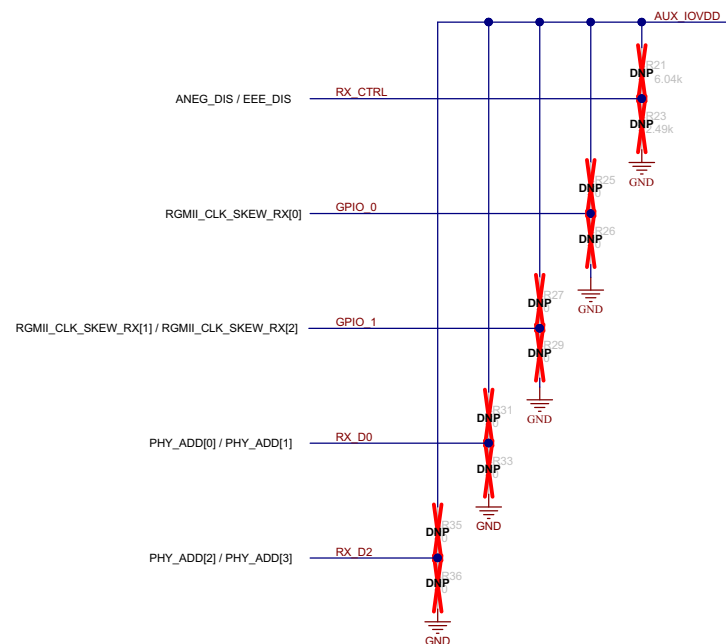


Figure 7. Schematic (5 of 5)

2.10 Layout

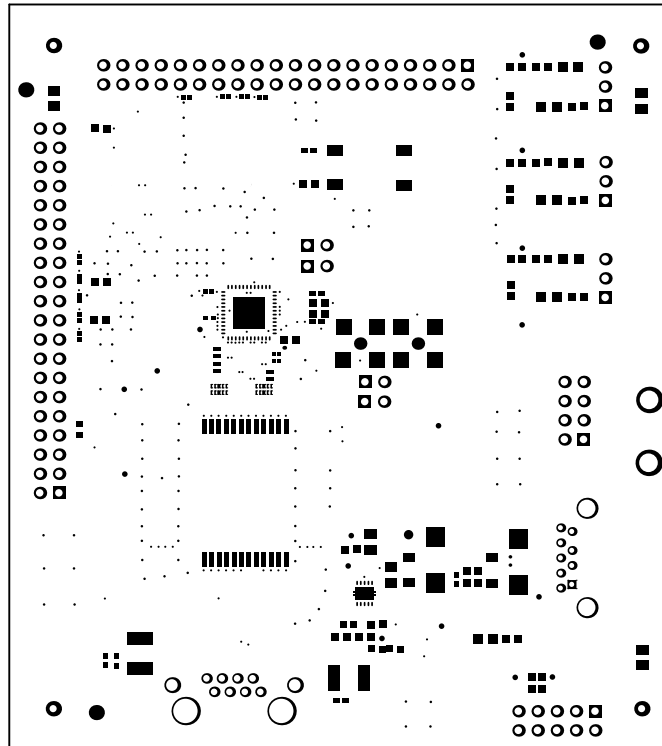


Figure 8. Top Solder

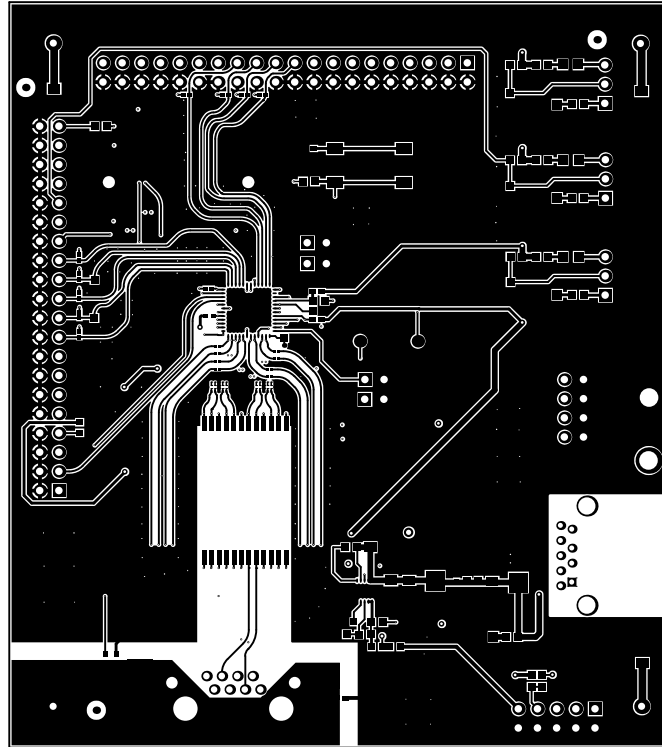


Figure 9. Top Layer

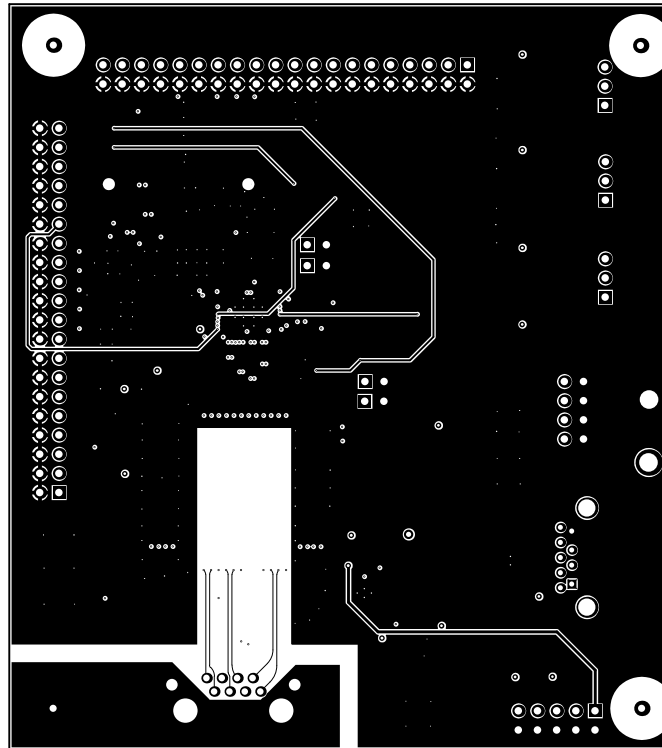


Figure 10. Signal Layer 1

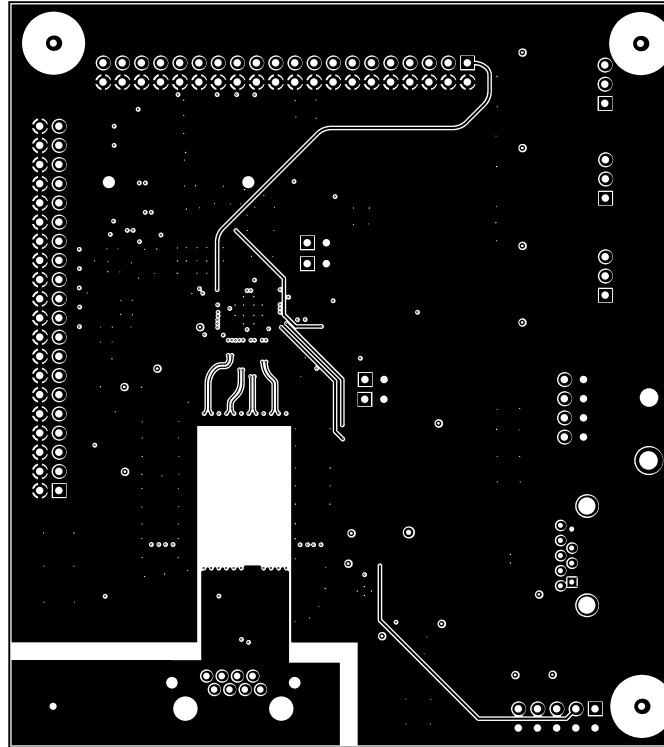


Figure 11. Signal Layer 2

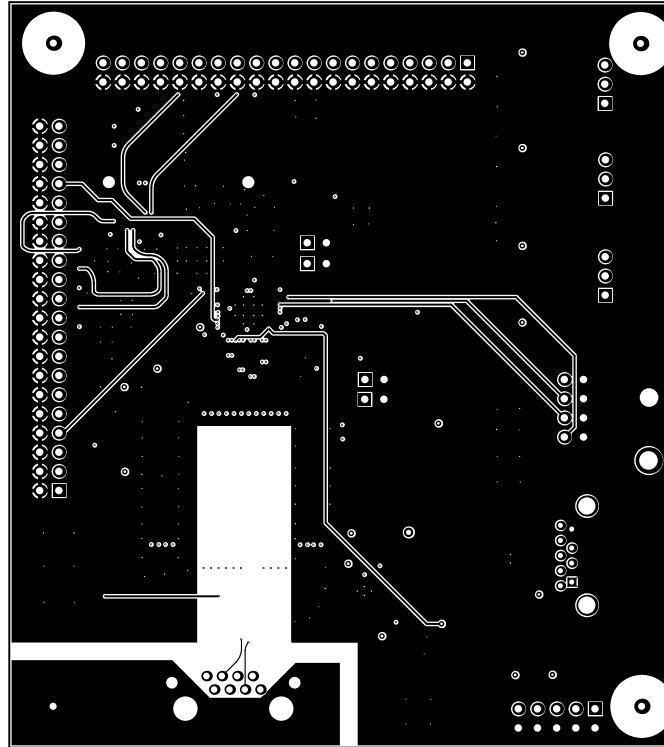


Figure 12. Signal Layer 3

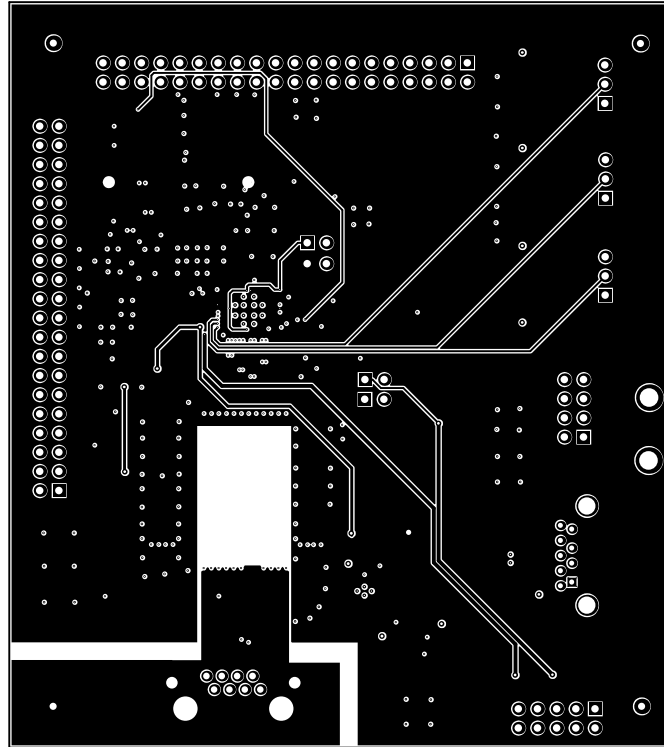


Figure 13. Signal Layer 4

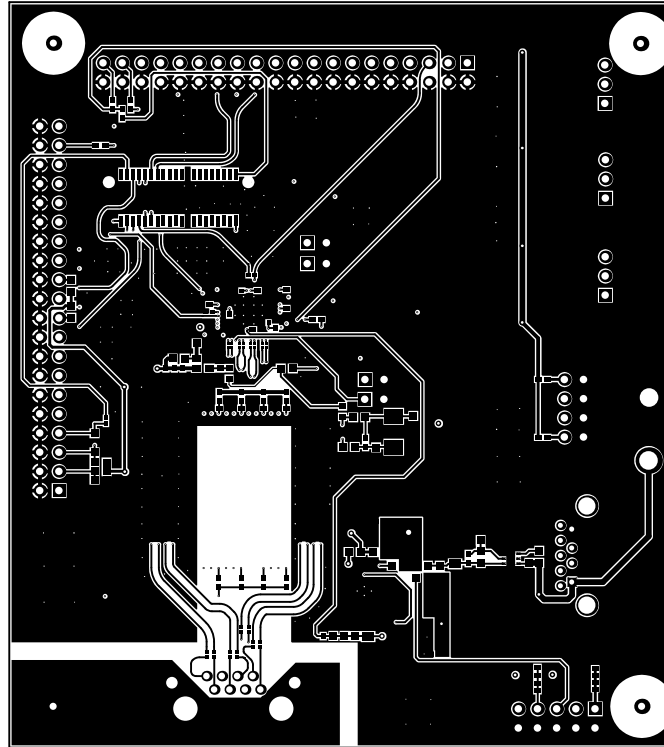


Figure 14. Bottom Layer

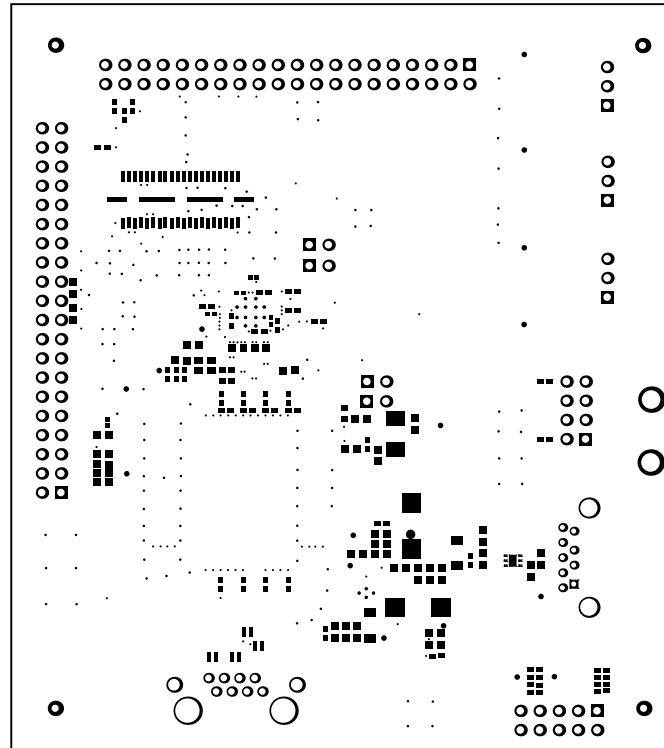
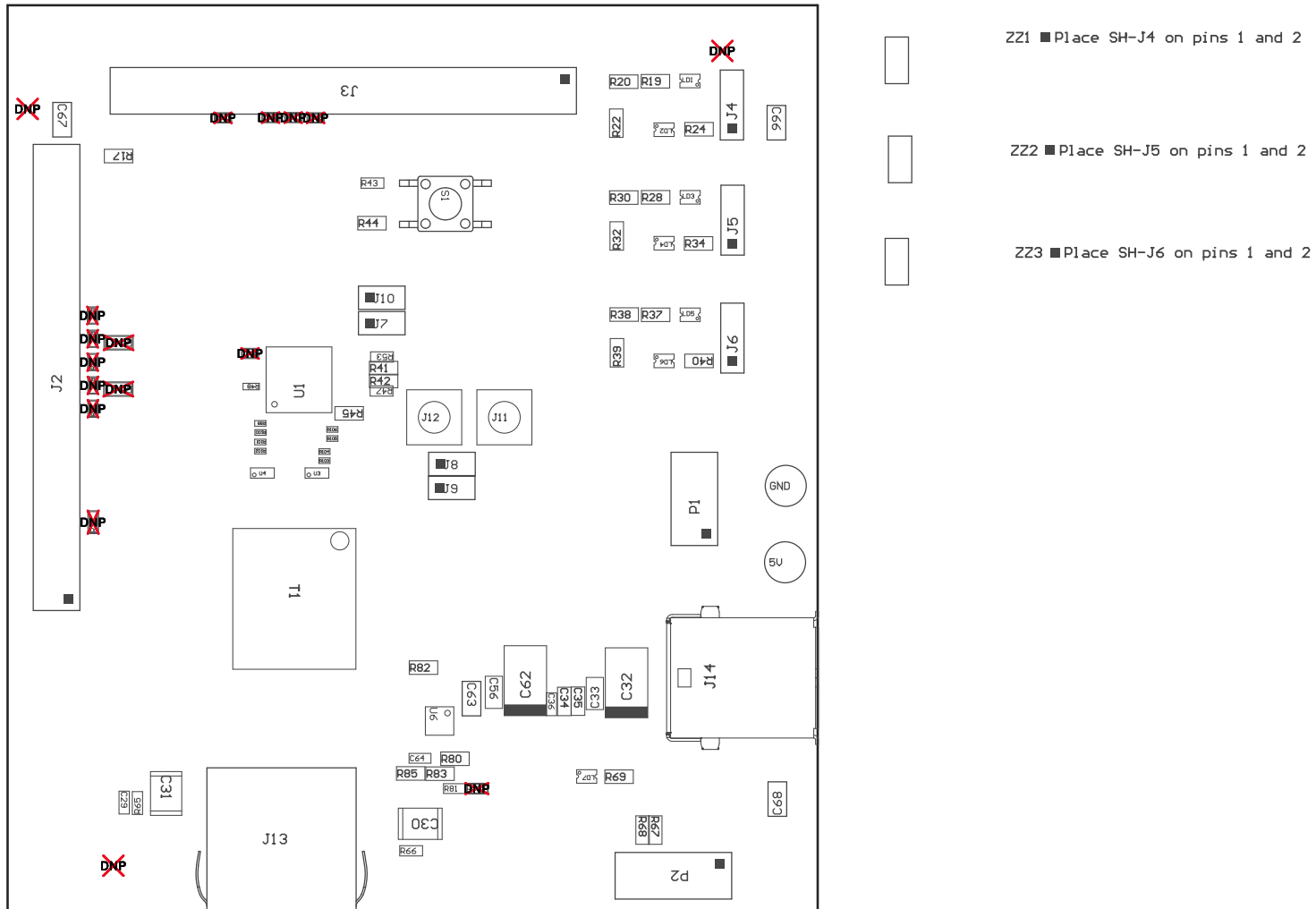


Figure 15. Bottom Solder Mask

2.11 Board Assembly



COMPONENTS MARKED 'DNP' SHOULD NOT BE POPULATED.
 ASSEMBLY VARIANT: 001

Figure 16. Board Assembly Top

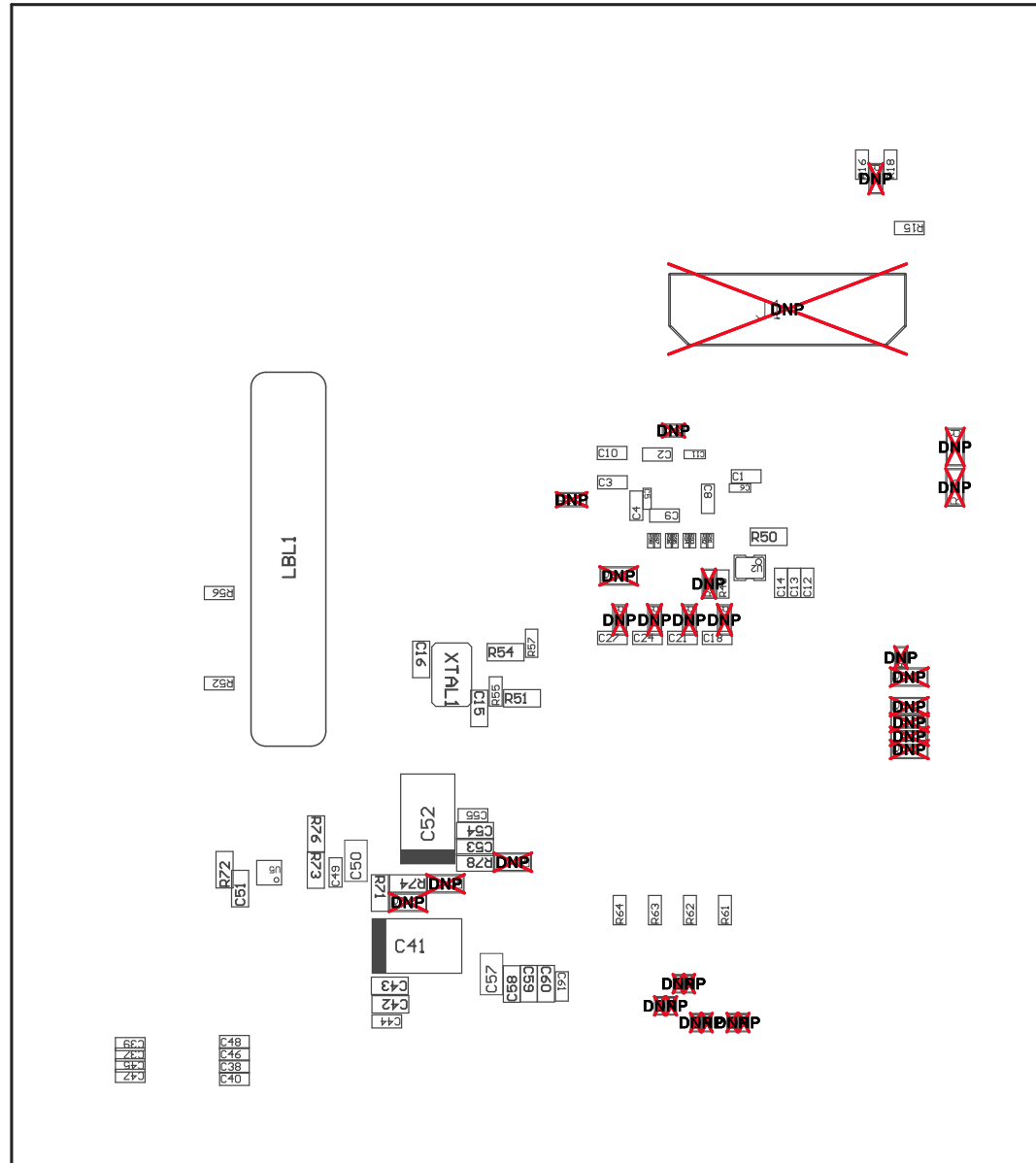


Figure 17. Board Assembly Bottom

2.12 Board Marking (Silk)

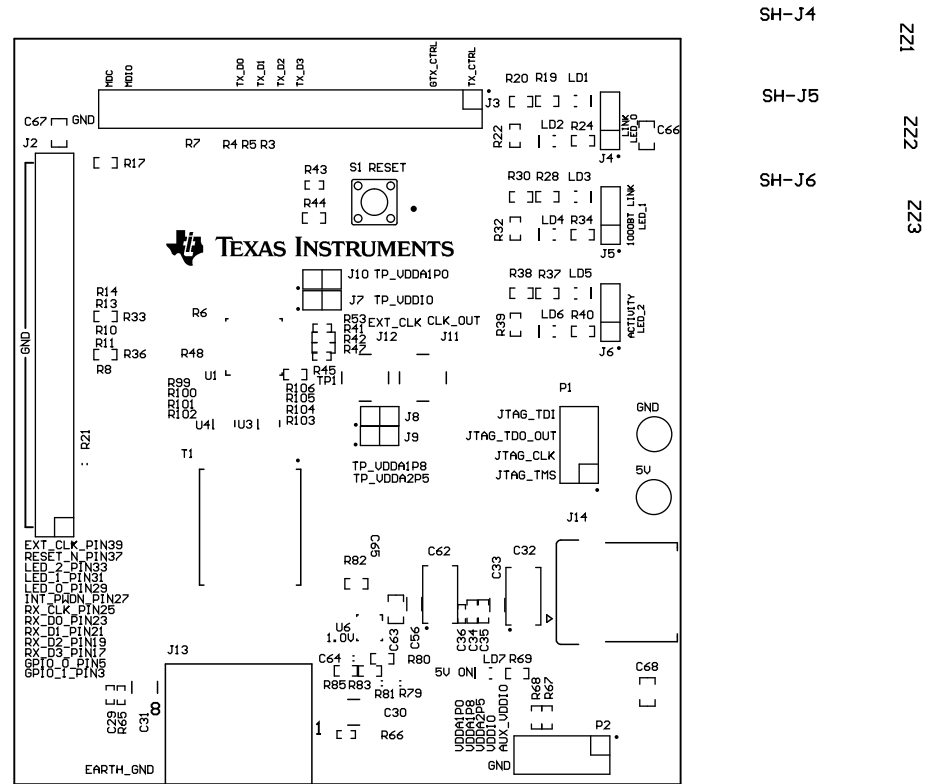


Figure 18. Top Overlay

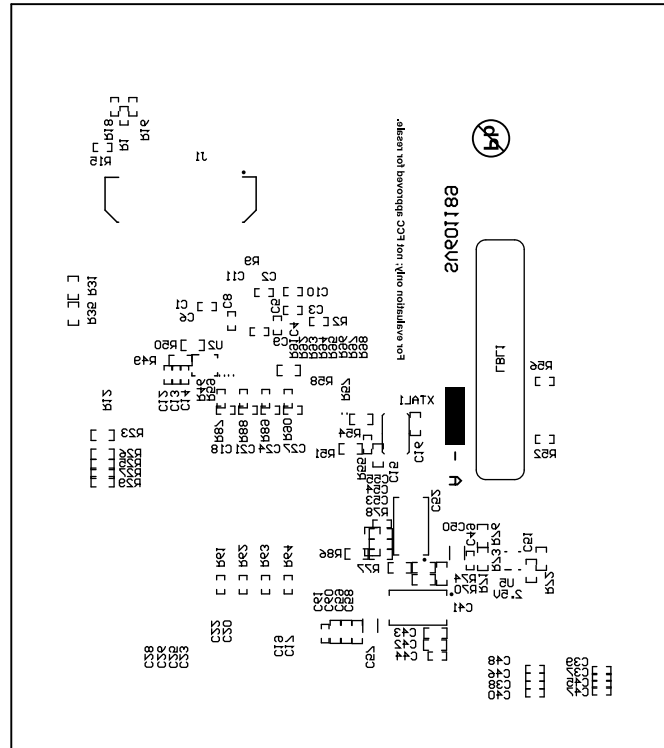


Figure 19. Bottom Overlay

2.13 Bill of Materials (BOM)

Table 1. Engineering Bill of Material

Designator	Description	Manufacturer	Part Number
5V	Terminal, Turret, TH, Double	Keystone	1502-2
C1	CAP, CERM, 1 μ F, 10 V, +/- 10%, X5R, 0402	TDK	C1005X5R1A105K050BB
C2	CAP, CERM, 0.1 μ F, 10 V, +/- 10%, X5R, 0402	TDK	C1005X5R1A104K050BA
C3	CAP, CERM, 1000 pF, 25 V, +/- 5%, X7R, 0402	Kemet	C0402C102J3RACTU
C4	CAP, CERM, 1 μ F, 10 V, +/- 10%, X5R, 0402	TDK	C1005X5R1A105K050BB
C5	CAP, CERM, 1000 pF, 25 V, +/- 5%, X7R, 0402	Kemet	C0402C102J3RACTU
C6	CAP, CERM, 0.01 μ F, 50 V, +/- 10%, X7R, 0402	MuRata	GRM155R71H103KA88D
C8	CAP, CERM, 1 μ F, 10 V, +/- 10%, X5R, 0402	TDK	C1005X5R1A105K050BB
C9	CAP, CERM, 0.1 μ F, 10 V, +/- 10%, X5R, 0402	TDK	C1005X5R1A104K050BA
C10	CAP, CERM, 1000 pF, 25 V, +/- 5%, X7R, 0402	Kemet	C0402C102J3RACTU
C11	CAP, CERM, 1000 pF, 25 V, +/- 5%, X7R, 0402	Kemet	C0402C102J3RACTU
C12	CAP, CERM, 0.01 μ F, 50 V, +/- 5%, X7R, 0402	Kemet	C0402C103J5RACTU
C13	CAP, CERM, 1000 pF, 25 V, +/- 5%, X7R, 0402	Kemet	C0402C102J3RACTU
C14	CAP, CERM, 100 pF, 50 V, +/- 5%, C0G/NP0, 0402	Yageo America	CC0402JRNPO9BN101
C15	CAP, CERM, 27 pF, 50 V, +/- 1%, C0G/NP0, 0603	Samsung Electro-Mechanics	CL10C270FB8NNNC
C16	CAP, CERM, 27 pF, 50 V, +/- 1%, C0G/NP0, 0603	Samsung Electro-Mechanics	CL10C270FB8NNNC
C17	CAP, CERM, 0.033 μ F, 6.3 V, +/- 10%, X5R, 0201	MuRata	GRM033R60J333KE01D
C18	CAP, CERM, 0.1 μ F, 6.3 V, +/- 10%, X5R, 0402	TDK	C1005X5R0J104K
C19	CAP, CERM, 0.033 μ F, 6.3 V, +/- 10%, X5R, 0201	MuRata	GRM033R60J333KE01D
C20	CAP, CERM, 0.033 μ F, 6.3 V, +/- 10%, X5R, 0201	MuRata	GRM033R60J333KE01D
C21	CAP, CERM, 0.1 μ F, 6.3 V, +/- 10%, X5R, 0402	TDK	C1005X5R0J104K
C22	CAP, CERM, 0.033 μ F, 6.3 V, +/- 10%, X5R, 0201	MuRata	GRM033R60J333KE01D
C23	CAP, CERM, 0.033 μ F, 6.3 V, +/- 10%, X5R, 0201	MuRata	GRM033R60J333KE01D
C24	CAP, CERM, 0.1 μ F, 6.3 V, +/- 10%, X5R, 0402	TDK	C1005X5R0J104K
C25	CAP, CERM, 0.033 μ F, 6.3 V, +/- 10%, X5R, 0201	MuRata	GRM033R60J333KE01D
C26	CAP, CERM, 0.033 μ F, 6.3 V, +/- 10%, X5R, 0201	MuRata	GRM033R60J333KE01D
C27	CAP, CERM, 0.1 μ F, 6.3 V, +/- 10%, X5R, 0402	TDK	C1005X5R0J104K
C28	CAP, CERM, 0.033 μ F, 6.3 V, +/- 10%, X5R, 0201	MuRata	GRM033R60J333KE01D
C29	CAP, CERM, 0.01 μ F, 50 V, +/- 5%, X7R, 0402	Kemet	C0402C103J5RACTU
C30	CAP, CERM, 4700 pF, 2000 V, +/- 10%, X7R, 1812	AVX	1812GC472KAT1A
C31	CAP, CERM, 4700 pF, 2000 V, +/- 10%, X7R, 1812	AVX	1812GC472KAT1A
C32	CAP, TA, 220 μ F, 6.3 V, +/- 10%, 0.7 ohm, SMD	Kemet	T491D227K006AT
C33	CAP, CERM, 10 μ F, 35 V, +/- 20%, X7R, 1206_190	TDK	C3216X7R1V106M160AC
C34	CAP, CERM, 0.01 μ F, 50 V, +/- 5%, X7R, 0603	Kemet	C0603C103J5RACTU
C35	CAP, CERM, 0.01 μ F, 50 V, +/- 5%, X7R, 0603	Kemet	C0603C103J5RACTU
C36	CAP, CERM, 100 pF, 50 V, +/- 5%, C0G/NP0, 0402	Yageo America	CC0402JRNPO9BN101
C37	CAP, CERM, 1 μ F, 10 V, +/- 10%, X5R, 0402	TDK	C1005X5R1A105K050BB
C38	CAP, CERM, 1 μ F, 10 V, +/- 10%, X5R, 0402	TDK	C1005X5R1A105K050BB
C39	CAP, CERM, 0.1 μ F, 10 V, +/- 10%, X5R, 0402	TDK	C1005X5R1A104K050BA
C40	CAP, CERM, 0.1 μ F, 10 V, +/- 10%, X5R, 0402	TDK	C1005X5R1A104K050BA
C41	CAP, TA, 100 μ F, 10 V, +/- 20%, 0.1 ohm, SMD	Vishay-Sprague	593D107X0010D2TE3
C42	CAP, CERM, 0.01 μ F, 50 V, +/- 5%, X7R, 0603	Kemet	C0603C103J5RACTU
C43	CAP, CERM, 1000 pF, 50 V, +/- 10%, C0G/NP0, 0603	AVX	06035A102KAT2A
C44	CAP, CERM, 100 pF, 50 V, +/- 5%, C0G/NP0, 0402	Yageo America	CC0402JRNPO9BN101

Table 1. Engineering Bill of Material (continued)

Designator	Description	Manufacturer	Part Number
C45	CAP, CERM, 1000 pF, 25 V, +/- 10%, X5R, 0402	MuRata	GRM155R61E102KA01D
C46	CAP, CERM, 1000 pF, 25 V, +/- 10%, X5R, 0402	MuRata	GRM155R61E102KA01D
C47	CAP, CERM, 100 pF, 50 V, +/- 5%, C0G/NP0, 0402	Yageo America	CC0402JRNPO9BN101
C48	CAP, CERM, 100 pF, 50 V, +/- 5%, C0G/NP0, 0402	Yageo America	CC0402JRNPO9BN101
C49	CAP, CERM, 1000 pF, 25 V, +/- 5%, X7R, 0402	Kemet	C0402C102J3RACTU
C50	CAP, CERM, 10 µF, 35 V, +/- 20%, X7R, 1206_190	TDK	C3216X7R1V106M160AC
C51	CAP, CERM, 1 µF, 6.3 V, +/- 10%, X7R, 0603	Samsung	CL10B105KQ8NNNC
C52	CAP, TA, 100 µF, 10 V, +/- 20%, 0.1 ohm, SMD	Vishay-Sprague	593D107X0010D2TE3
C53	CAP, CERM, 0.01 µF, 50 V, +/- 5%, X7R, 0603	Kemet	C0603C103J5RACTU
C54	CAP, CERM, 1000 pF, 50 V, +/- 10%, C0G/NP0, 0603	AVX	06035A102KAT2A
C55	CAP, CERM, 100 pF, 50 V, +/- 5%, C0G/NP0, 0402	Yageo America	CC0402JRNPO9BN101
C56	CAP, CERM, 10 µF, 35 V, +/- 20%, X7R, 1206_190	TDK	C3216X7R1V106M160AC
C57	CAP, CERM, 10 µF, 35 V, +/- 20%, X7R, 1206_190	TDK	C3216X7R1V106M160AC
C58	CAP, CERM, 0.1 µF, 16 V, +/- 10%, X7R, 0603	Samsung	CL10B104KO8NNNC
C59	CAP, CERM, 0.01 µF, 50 V, +/- 5%, X7R, 0603	Kemet	C0603C103J5RACTU
C60	CAP, CERM, 1000 pF, 50 V, +/- 10%, C0G/NP0, 0603	AVX	06035A102KAT2A
C61	CAP, CERM, 100 pF, 50 V, +/- 5%, C0G/NP0, 0402	Yageo America	CC0402JRNPO9BN101
C62	CAP, TA, 100 µF, 10 V, +/- 20%, 0.1 ohm, SMD	Vishay-Sprague	593D107X0010D2TE3
C63	CAP, CERM, 1 µF, 16 V, +/- 10%, X5R, 0805	AVX	0805YD105KAT2A
C64	CAP, CERM, 27 pF, 50 V, +/- 1%, C0G/NP0, 0603	Samsung	CL10C270FB8NNNC
C65	CAP, CERM, 4.7 µF, 10 V, +80/-20%, Y5V, 0805	Yageo America	CC0805ZRY5V6BB475
C66	CAP, CERM, 4700 pF, 100 V, +/- 10%, X7R, 0805	AVX	08051C472KAT2A
C67	CAP, CERM, 4700 pF, 100 V, +/- 10%, X7R, 0805	AVX	08051C472KAT2A
C68	CAP, CERM, 4700 pF, 100 V, +/- 10%, X7R, 0805	AVX	08051C472KAT2A
FID1	Fiducial mark. There is nothing to buy or mount.	N/A	N/A
FID2	Fiducial mark. There is nothing to buy or mount.	N/A	N/A
FID3	Fiducial mark. There is nothing to buy or mount.	N/A	N/A
GND	Terminal, Turret, TH, Double	Keystone	1502-2
J1	Connector, Header, High Speed, 20 pairs, SMT	Samtec	QTE-020-01-L-D-A
J2	Header, 100mil, 20x2, Gold, TH	Samtec	TSW-120-07-G-D
J3	Header, 100mil, 20x2, Gold, TH	Samtec	TSW-120-07-G-D
J4	Header, 100mil, 3x1, Gold, TH	Samtec	TSW-103-07-G-S
J5	Header, 100mil, 3x1, Gold, TH	Samtec	TSW-103-07-G-S
J6	Header, 100mil, 3x1, Gold, TH	Samtec	TSW-103-07-G-S
J7	Header, 100mil, 2x1, Gold, TH	Samtec	HTSW-102-07-G-S
J8	Header, 100mil, 2x1, Gold, TH	Samtec	HTSW-102-07-G-S
J9	Header, 100mil, 2x1, Gold, TH	Samtec	HTSW-102-07-G-S
J10	Header, 100mil, 2x1, Gold, TH	Samtec	HTSW-102-07-G-S
J11	Mini-RFCable Connector 50 Ohm	Samtec	MCX-J-P-H-ST-SM1
J12	Mini-RFCable Connector 50 Ohm	Samtec	MCX-J-P-H-ST-SM1
J13	RJ-45, Right Angle, No LED, tab up	AMP	1-406541-1
J14	Connector, Receptacle, USB Type A, 9 Pins, R/A, TH	FCI	10117835-002LF
LBL1	Thermal Transfer Printable Labels, 1.250" W x 0.250" H - 10,000 per roll	Brady	THT-13-457-10
LD1	LED, Green, SMD	Everlight	QTLP630C4TR
LD2	LED, Green, SMD	Everlight	QTLP630C4TR

Table 1. Engineering Bill of Material (continued)

Designator	Description	Manufacturer	Part Number
LD3	LED, Green, SMD	Everlight	QTLP630C4TR
LD4	LED, Green, SMD	Everlight	QTLP630C4TR
LD5	LED, Green, SMD	Everlight	QTLP630C4TR
LD6	LED, Green, SMD	Everlight	QTLP630C4TR
LD7	LED, Green, SMD	Everlight	QTLP630C4TR
P1	Header, 100mil, 4x2, Gold, TH	Samtec	TSW-104-07-G-D
P2	Header, 100mil, 5x2, Gold, TH	Samtec	TSW-105-07-G-D
R1	RES, 0, 5%, 0.063 W, 0402	Vishay-Dale	CRCW04020000Z0ED
R2	RES, 0, 5%, 0.063 W, 0402	Vishay-Dale	CRCW04020000Z0ED
R3	RES, 0, 5%, 0.05 W, 0201	Panasonic	ERJ-1GE0R00C
R4	RES, 0, 5%, 0.05 W, 0201	Panasonic	ERJ-1GE0R00C
R5	RES, 0, 5%, 0.05 W, 0201	Panasonic	ERJ-1GE0R00C
R6	RES, 0, 5%, 0.05 W, 0201	Panasonic	ERJ-1GE0R00C
R7	RES, 0, 5%, 0.05 W, 0201	Panasonic	ERJ-1GE0R00C
R8	RES, 0, 5%, 0.05 W, 0201	Panasonic	ERJ-1GE0R00C
R9	RES, 0, 5%, 0.05 W, 0201	Panasonic	ERJ-1GE0R00C
R10	RES, 0, 5%, 0.05 W, 0201	Panasonic	ERJ-1GE0R00C
R11	RES, 0, 5%, 0.05 W, 0201	Panasonic	ERJ-1GE0R00C
R12	RES, 0, 5%, 0.05 W, 0201	Panasonic	ERJ-1GE0R00C
R13	RES, 0, 5%, 0.05 W, 0201	Panasonic	ERJ-1GE0R00C
R14	RES, 0, 5%, 0.05 W, 0201	Panasonic	ERJ-1GE0R00C
R15	RES, 0, 5%, 0.063 W, 0402	Vishay-Dale	CRCW04020000Z0ED
R16	RES, 0, 5%, 0.063 W, 0402	Vishay-Dale	CRCW04020000Z0ED
R17	RES, 0, 5%, 0.1 W, 0603	Yageo America	RC0603JR-070RL
R18	RES, 0, 5%, 0.063 W, 0402	Vishay-Dale	CRCW04020000Z0ED
R19	RES, 470, 1%, 0.1 W, 0603	Yageo America	RC0603FR-07470RL
R20	RES, 6.04 k, 1%, 0.1 W, 0603	Vishay-Dale	CRCW06036K04FKEA
R21	RES, 6.04 k, 1%, 0.1 W, 0603	Yageo America	RC0603FR-076K04L
R22	RES, 2.49 k, 1%, 0.1 W, 0603	Yageo America	RC0603FR-072K49L
R23	RES, 2.49 k, 1%, 0.1 W, 0603	Yageo America	RC0603FR-072K49L
R24	RES, 470, 1%, 0.1 W, 0603	Yageo America	RC0603FR-07470RL
R25	RES, 0, 5%, 0.1 W, 0603	Vishay-Dale	CRCW06030000Z0EA
R26	RES, 0, 5%, 0.1 W, 0603	Vishay-Dale	CRCW06030000Z0EA
R27	RES, 0, 5%, 0.1 W, 0603	Vishay-Dale	CRCW06030000Z0EA
R28	RES, 470, 1%, 0.1 W, 0603	Yageo America	RC0603FR-07470RL
R29	RES, 0, 5%, 0.1 W, 0603	Vishay-Dale	CRCW06030000Z0EA
R30	RES, 11.0 k, 1%, 0.1 W, 0603	Yageo America	RC0603FR-0711KL
R31	RES, 0, 5%, 0.1 W, 0603	Vishay-Dale	CRCW06030000Z0EA
R32	RES, 2.49 k, 1%, 0.1 W, 0603	Yageo America	RC0603FR-072K49L
R33	RES, 0, 5%, 0.1 W, 0603	Vishay-Dale	CRCW06030000Z0EA
R34	RES, 470, 1%, 0.1 W, 0603	Yageo America	RC0603FR-07470RL
R35	RES, 0, 5%, 0.1 W, 0603	Vishay-Dale	CRCW06030000Z0EA
R36	RES, 0, 5%, 0.1 W, 0603	Vishay-Dale	CRCW06030000Z0EA
R37	RES, 470, 1%, 0.1 W, 0603	Yageo America	RC0603FR-07470RL
R38	RES, 11.0 k, 1%, 0.1 W, 0603	Yageo America	RC0603FR-0711KL
R39	RES, 2.49 k, 1%, 0.1 W, 0603	Yageo America	RC0603FR-072K49L
R40	RES, 470, 1%, 0.1 W, 0603	Yageo America	RC0603FR-07470RL

Table 1. Engineering Bill of Material (continued)

Designator	Description	Manufacturer	Part Number
R41	RES, 22, 5%, 0.1 W, 0603	Vishay-Dale	CRCW060322R0JNEA
R42	RES, 100, 1%, 0.1 W, 0603	Vishay-Dale	CRCW0603100RFKEA
R43	RES, 2.2 k, 5%, 0.063 W, 0402	Vishay-Dale	CRCW04022K20JNED
R44	RES, 0, 5%, 0.1 W, 0603	Vishay-Dale	CRCW06030000Z0EA
R45	RES, 11.0 k, 1%, 0.1 W, 0603	Vishay-Dale	CRCW060311K0FKEA
R46	RES, 4.7 k, 5%, 0.1 W, 0603	Vishay-Dale	CRCW06034K70JNEA
R47	RES, 2.2 k, 5%, 0.063 W, 0402	Vishay-Dale	CRCW04022K20JNED
R48	RES, 2.2 k, 5%, 0.063 W, 0402	Vishay-Dale	CRCW04022K20JNED
R50	RES, 0, 5%, 0.1 W, 0603	Yageo America	RC0603JR-070RL
R51	RES, 0, 5%, 0.1 W, 0603	Yageo America	RC0603JR-070RL
R52	RES, 2.2 k, 5%, 0.063 W, 0402	Vishay-Dale	CRCW04022K20JNED
R53	RES, 2.2 k, 5%, 0.063 W, 0402	Vishay-Dale	CRCW04022K20JNED
R54	RES, 0, 5%, 0.1 W, 0603	Yageo America	RC0603JR-070RL
R55	RES, 1.00 M, 1%, 0.063 W, 0402	Yageo America	RC0402FR-071ML
R56	RES, 2.2 k, 5%, 0.063 W, 0402	Vishay-Dale	CRCW04022K20JNED
R57	RES, 0, 5%, 0.1 W, 0603	Yageo America	RC0603JR-070RL
R58	RES, 0, 5%, 0.1 W, 0603	Yageo America	RC0603JR-070RL
R59	RES, 0, 5%, 0.1 W, 0603	Yageo America	RC0603JR-070RL
R61	RES, 75.0, 1%, 0.063 W, 0402	Vishay-Dale	CRCW040275R0FKED
R62	RES, 75.0, 1%, 0.063 W, 0402	Vishay-Dale	CRCW040275R0FKED
R63	RES, 75.0, 1%, 0.063 W, 0402	Vishay-Dale	CRCW040275R0FKED
R64	RES, 75.0, 1%, 0.063 W, 0402	Vishay-Dale	CRCW040275R0FKED
R65	RES, 1.00 M, 1%, 0.063 W, 0402	Yageo America	RC0402FR-071ML
R66	RES, 1.00 M, 1%, 0.063 W, 0402	Yageo America	RC0402FR-071ML
R67	RES, 0, 5%, 0.1 W, 0603	Yageo America	RC0603JR-070RL
R68	RES, 0, 5%, 0.1 W, 0603	Yageo America	RC0603JR-070RL
R69	RES, 750, 5%, 0.1 W, 0603	Yageo America	RC0603JR-07750RL
R70	RES, 0, 5%, 0.1 W, 0603	Yageo America	RC0603JR-070RL
R71	RES, 0, 5%, 0.1 W, 0603	Yageo America	RC0603JR-070RL
R72	RES, 0, 5%, 0.1 W, 0603	Yageo America	RC0603JR-070RL
R73	RES, 48.7 k, 1%, 0.1 W, 0603	Vishay-Dale	CRCW060348K7FKEA
R74	RES, 0, 5%, 0.1 W, 0603	Yageo America	RC0603JR-070RL
R76	RES, 45.3 k, 1%, 0.1 W, 0603	Yageo America	RC0603FR-0745K3L
R77	RES, 0, 5%, 0.1 W, 0603	Yageo America	RC0603JR-070RL
R78	RES, 0, 5%, 0.1 W, 0603	Yageo America	RC0603JR-070RL
R79	RES, 0, 5%, 0.1 W, 0603	Yageo America	RC0603JR-070RL
R80	RES, 10.0 k, 1%, 0.1 W, 0603	Yageo America	RC0603FR-0710KL
R81	RES, 0, 5%, 0.1 W, 0603	Yageo America	RC0603JR-070RL
R82	RES, 0, 5%, 0.1 W, 0603	Yageo America	RC0603JR-070RL
R83	RES, 1.13 k, 1%, 0.1 W, 0603	Vishay-Dale	CRCW06031K13FKEA
R85	RES, 4.53 k, 1%, 0.1 W, 0603	Vishay-Dale	CRCW06034K53FKEA
R86	RES, 0, 5%, 0.1 W, 0603	Yageo America	RC0603JR-070RL
R87	RES, 0, 5%, 0.063 W, 0402	Vishay-Dale	CRCW04020000Z0ED
R88	RES, 0, 5%, 0.063 W, 0402	Vishay-Dale	CRCW04020000Z0ED
R89	RES, 0, 5%, 0.063 W, 0402	Vishay-Dale	CRCW04020000Z0ED
R90	RES, 0, 5%, 0.063 W, 0402	Vishay-Dale	CRCW04020000Z0ED
R91	RES, 0, 5%, 0.05 W, 0201	Panasonic	ERJ-1GE0R00C

Table 1. Engineering Bill of Material (continued)

Designator	Description	Manufacturer	Part Number
R92	RES, 0, 5%, 0.05 W, 0201	Panasonic	ERJ-1GE0R00C
R93	RES, 0, 5%, 0.05 W, 0201	Panasonic	ERJ-1GE0R00C
R94	RES, 0, 5%, 0.05 W, 0201	Panasonic	ERJ-1GE0R00C
R95	RES, 0, 5%, 0.05 W, 0201	Panasonic	ERJ-1GE0R00C
R96	RES, 0, 5%, 0.05 W, 0201	Panasonic	ERJ-1GE0R00C
R97	RES, 0, 5%, 0.05 W, 0201	Panasonic	ERJ-1GE0R00C
R98	RES, 0, 5%, 0.05 W, 0201	Panasonic	ERJ-1GE0R00C
R99	RES, 0, 5%, 0.05 W, 0201	Panasonic	ERJ-1GE0R00C
R100	RES, 0, 5%, 0.05 W, 0201	Panasonic	ERJ-1GE0R00C
R101	RES, 0, 5%, 0.05 W, 0201	Panasonic	ERJ-1GE0R00C
R102	RES, 0, 5%, 0.05 W, 0201	Panasonic	ERJ-1GE0R00C
R103	RES, 0, 5%, 0.05 W, 0201	Panasonic	ERJ-1GE0R00C
R104	RES, 0, 5%, 0.05 W, 0201	Panasonic	ERJ-1GE0R00C
R105	RES, 0, 5%, 0.05 W, 0201	Panasonic	ERJ-1GE0R00C
R106	RES, 0, 5%, 0.05 W, 0201	Panasonic	ERJ-1GE0R00C
S1	Switch, Tactile, SPST-NO, 0.05A, 12V, SMT	TE Connectivity	4-1437565-1
SH-J4	Shunt, 100mil, Gold plated, Black	3M	969102-0000-DA
SH-J5	Shunt, 100mil, Gold plated, Black	3M	969102-0000-DA
SH-J6	Shunt, 100mil, Gold plated, Black	3M	969102-0000-DA
T1	Transformer, 325 uH, SMT	Pulse Engineering	HX5008NL
U1	Robust, Low Power 10/100/1000 Ethernet Physical Layer Transceiver, RGZ0048B	Texas Instruments	DP83867RGZR
U2	OSC, 25 MHz, 1.6 to 3.6 V, SMD	Epson	SG-210STF25.000000MHZY
U3	1, 4, 6 CHANNEL PROTECTION SOLUTION FOR SUPER-SPEED (UP TO 6 GBPS) INTERFACE, DQA0010A	Texas Instruments	TPD4E05U06DQAR
U4	1, 4, 6 CHANNEL PROTECTION SOLUTION FOR SUPER-SPEED (UP TO 6 GBPS) INTERFACE, DQA0010A	Texas Instruments	TPD4E05U06DQAR
U5	Single Output High PSRR LDO, 500 mA, Adjustable 1.25 to 6 V Output, 2.7 to 6.5 V Input, with Low IQ, 6-pin SON (DRV), -40 to 125 degC, Green (RoHS & no Sb/Br)	Texas Instruments	TPS73501DRVR
U6	Single Output LDO, 500 mA, Adjustable 0.8 to 3.6 V Output, 0.8 to 5.5 V Input, with Programmable Soft Start, 10-pin SON (DRC), -40 to 125 degC, Green (RoHS & no Sb/Br)	Texas Instruments	TPS74701DRCR
XTAL1	Crystal, 25 MHz, 18 pF, SMD	Abracon Corporation	ABM3-25.000MHZ-D2W-T

STANDARD TERMS AND CONDITIONS FOR EVALUATION MODULES

1. *Delivery:* TI delivers TI evaluation boards, kits, or modules, including any accompanying demonstration software, components, or documentation (collectively, an "EVM" or "EVMs") to the User ("User") in accordance with the terms and conditions set forth herein. Acceptance of the EVM is expressly subject to the following terms and conditions.
 - 1.1 EVMs are intended solely for product or software developers for use in a research and development setting to facilitate feasibility evaluation, experimentation, or scientific analysis of TI semiconductor products. EVMs have no direct function and are not finished products. EVMs shall not be directly or indirectly assembled as a part or subassembly in any finished product. For clarification, any software or software tools provided with the EVM ("Software") shall not be subject to the terms and conditions set forth herein but rather shall be subject to the applicable terms and conditions that accompany such Software
 - 1.2 EVMs are not intended for consumer or household use. EVMs may not be sold, sublicensed, leased, rented, loaned, assigned, or otherwise distributed for commercial purposes by Users, in whole or in part, or used in any finished product or production system.
2. *Limited Warranty and Related Remedies/Disclaimers:*
 - 2.1 These terms and conditions do not apply to Software. The warranty, if any, for Software is covered in the applicable Software License Agreement.
 - 2.2 TI warrants that the TI EVM will conform to TI's published specifications for ninety (90) days after the date TI delivers such EVM to User. Notwithstanding the foregoing, TI shall not be liable for any defects that are caused by neglect, misuse or mistreatment by an entity other than TI, including improper installation or testing, or for any EVMs that have been altered or modified in any way by an entity other than TI. Moreover, TI shall not be liable for any defects that result from User's design, specifications or instructions for such EVMs. Testing and other quality control techniques are used to the extent TI deems necessary or as mandated by government requirements. TI does not test all parameters of each EVM.
 - 2.3 If any EVM fails to conform to the warranty set forth above, TI's sole liability shall be at its option to repair or replace such EVM, or credit User's account for such EVM. TI's liability under this warranty shall be limited to EVMs that are returned during the warranty period to the address designated by TI and that are determined by TI not to conform to such warranty. If TI elects to repair or replace such EVM, TI shall have a reasonable time to repair such EVM or provide replacements. Repaired EVMs shall be warranted for the remainder of the original warranty period. Replaced EVMs shall be warranted for a new full ninety (90) day warranty period.
3. *Regulatory Notices:*
 - 3.1 *United States*
 - 3.1.1 *Notice applicable to EVMs not FCC-Approved:*

This kit is designed to allow product developers to evaluate electronic components, circuitry, or software associated with the kit to determine whether to incorporate such items in a finished product and software developers to write software applications for use with the end product. This kit is not a finished product and when assembled may not be resold or otherwise marketed unless all required FCC equipment authorizations are first obtained. Operation is subject to the condition that this product not cause harmful interference to licensed radio stations and that this product accept harmful interference. Unless the assembled kit is designed to operate under part 15, part 18 or part 95 of this chapter, the operator of the kit must operate under the authority of an FCC license holder or must secure an experimental authorization under part 5 of this chapter.
 - 3.1.2 *For EVMs annotated as FCC – FEDERAL COMMUNICATIONS COMMISSION Part 15 Compliant:*

CAUTION

This device complies with part 15 of the FCC Rules. Operation is subject to the following two conditions: (1) This device may not cause harmful interference, and (2) this device must accept any interference received, including interference that may cause undesired operation.

Changes or modifications not expressly approved by the party responsible for compliance could void the user's authority to operate the equipment.

FCC Interference Statement for Class A EVM devices

NOTE: This equipment has been tested and found to comply with the limits for a Class A digital device, pursuant to part 15 of the FCC Rules. These limits are designed to provide reasonable protection against harmful interference when the equipment is operated in a commercial environment. This equipment generates, uses, and can radiate radio frequency energy and, if not installed and used in accordance with the instruction manual, may cause harmful interference to radio communications. Operation of this equipment in a residential area is likely to cause harmful interference in which case the user will be required to correct the interference at his own expense.

FCC Interference Statement for Class B EVM devices

NOTE: This equipment has been tested and found to comply with the limits for a Class B digital device, pursuant to part 15 of the FCC Rules. These limits are designed to provide reasonable protection against harmful interference in a residential installation. This equipment generates, uses and can radiate radio frequency energy and, if not installed and used in accordance with the instructions, may cause harmful interference to radio communications. However, there is no guarantee that interference will not occur in a particular installation. If this equipment does cause harmful interference to radio or television reception, which can be determined by turning the equipment off and on, the user is encouraged to try to correct the interference by one or more of the following measures:

- Reorient or relocate the receiving antenna.
- Increase the separation between the equipment and receiver.
- Connect the equipment into an outlet on a circuit different from that to which the receiver is connected.
- Consult the dealer or an experienced radio/TV technician for help.

3.2 Canada

3.2.1 For EVMs issued with an Industry Canada Certificate of Conformance to RSS-210

Concerning EVMs Including Radio Transmitters:

This device complies with Industry Canada license-exempt RSS standard(s). Operation is subject to the following two conditions: (1) this device may not cause interference, and (2) this device must accept any interference, including interference that may cause undesired operation of the device.

Concernant les EVMs avec appareils radio:

Le présent appareil est conforme aux CNR d'Industrie Canada applicables aux appareils radio exempts de licence. L'exploitation est autorisée aux deux conditions suivantes: (1) l'appareil ne doit pas produire de brouillage, et (2) l'utilisateur de l'appareil doit accepter tout brouillage radioélectrique subi, même si le brouillage est susceptible d'en compromettre le fonctionnement.

Concerning EVMs Including Detachable Antennas:

Under Industry Canada regulations, this radio transmitter may only operate using an antenna of a type and maximum (or lesser) gain approved for the transmitter by Industry Canada. To reduce potential radio interference to other users, the antenna type and its gain should be so chosen that the equivalent isotropically radiated power (e.i.r.p.) is not more than that necessary for successful communication. This radio transmitter has been approved by Industry Canada to operate with the antenna types listed in the user guide with the maximum permissible gain and required antenna impedance for each antenna type indicated. Antenna types not included in this list, having a gain greater than the maximum gain indicated for that type, are strictly prohibited for use with this device.

Concernant les EVMs avec antennes détachables

Conformément à la réglementation d'Industrie Canada, le présent émetteur radio peut fonctionner avec une antenne d'un type et d'un gain maximal (ou inférieur) approuvé pour l'émetteur par Industrie Canada. Dans le but de réduire les risques de brouillage radioélectrique à l'intention des autres utilisateurs, il faut choisir le type d'antenne et son gain de sorte que la puissance isotrope rayonnée équivalente (p.i.r.e.) ne dépasse pas l'intensité nécessaire à l'établissement d'une communication satisfaisante. Le présent émetteur radio a été approuvé par Industrie Canada pour fonctionner avec les types d'antenne énumérés dans le manuel d'usage et ayant un gain admissible maximal et l'impédance requise pour chaque type d'antenne. Les types d'antenne non inclus dans cette liste, ou dont le gain est supérieur au gain maximal indiqué, sont strictement interdits pour l'exploitation de l'émetteur.

3.3 Japan

3.3.1 *Notice for EVMs delivered in Japan:* Please see http://www.tij.co.jp/lstds/ti_ja/general/eStore/notice_01.page 日本国内に輸入される評価用キット、ボードについては、次のところをご覧ください。
http://www.tij.co.jp/lstds/ti_ja/general/eStore/notice_01.page

3.3.2 *Notice for Users of EVMs Considered "Radio Frequency Products" in Japan:* EVMs entering Japan may not be certified by TI as conforming to Technical Regulations of Radio Law of Japan.

If User uses EVMs in Japan, not certified to Technical Regulations of Radio Law of Japan, User is required by Radio Law of Japan to follow the instructions below with respect to EVMs:

1. Use EVMs in a shielded room or any other test facility as defined in the notification #173 issued by Ministry of Internal Affairs and Communications on March 28, 2006, based on Sub-section 1.1 of Article 6 of the Ministry's Rule for Enforcement of Radio Law of Japan,
2. Use EVMs only after User obtains the license of Test Radio Station as provided in Radio Law of Japan with respect to EVMs, or
3. Use of EVMs only after User obtains the Technical Regulations Conformity Certification as provided in Radio Law of Japan with respect to EVMs. Also, do not transfer EVMs, unless User gives the same notice above to the transferee. Please note that if User does not follow the instructions above, User will be subject to penalties of Radio Law of Japan.

【無線電波を送信する製品の開発キットをお使いになる際の注意事項】 開発キットの中には技術基準適合証明を受けていないものがあります。技術適合証明を受けていないものご使用に際しては、電波法遵守のため、以下のいずれかの措置を取っていただく必要がありますのでご注意ください。

1. 電波法施行規則第6条第1項第1号に基づく平成18年3月28日総務省告示第173号で定められた電波暗室等の試験設備でご使用いただく。
2. 実験局の免許を取得後ご使用いただく。
3. 技術基準適合証明を取得後ご使用いただく。

なお、本製品は、上記の「ご使用にあたっての注意」を譲渡先、移転先に通知しない限り、譲渡、移転できないものとします。

上記を遵守頂けない場合は、電波法の罰則が適用される可能性があることをご留意ください。日本テキサス・インスツルメンツ株式会社
東京都新宿区西新宿 6 丁目 2 4 番 1 号
西新宿三井ビル

3.3.3 *Notice for EVMs for Power Line Communication:* Please see http://www.tij.co.jp/llds/ti_ja/general/eStore/notice_02.page
電力線搬送波通信についての開発キットをお使いになる際の注意事項については、次のところをご覧ください。http://www.tij.co.jp/llds/ti_ja/general/eStore/notice_02.page

4 *EVM Use Restrictions and Warnings:*

4.1 EVMS ARE NOT FOR USE IN FUNCTIONAL SAFETY AND/OR SAFETY CRITICAL EVALUATIONS, INCLUDING BUT NOT LIMITED TO EVALUATIONS OF LIFE SUPPORT APPLICATIONS.

4.2 User must read and apply the user guide and other available documentation provided by TI regarding the EVM prior to handling or using the EVM, including without limitation any warning or restriction notices. The notices contain important safety information related to, for example, temperatures and voltages.

4.3 *Safety-Related Warnings and Restrictions:*

4.3.1 User shall operate the EVM within TI's recommended specifications and environmental considerations stated in the user guide, other available documentation provided by TI, and any other applicable requirements and employ reasonable and customary safeguards. Exceeding the specified performance ratings and specifications (including but not limited to input and output voltage, current, power, and environmental ranges) for the EVM may cause personal injury or death, or property damage. If there are questions concerning performance ratings and specifications, User should contact a TI field representative prior to connecting interface electronics including input power and intended loads. Any loads applied outside of the specified output range may also result in unintended and/or inaccurate operation and/or possible permanent damage to the EVM and/or interface electronics. Please consult the EVM user guide prior to connecting any load to the EVM output. If there is uncertainty as to the load specification, please contact a TI field representative. During normal operation, even with the inputs and outputs kept within the specified allowable ranges, some circuit components may have elevated case temperatures. These components include but are not limited to linear regulators, switching transistors, pass transistors, current sense resistors, and heat sinks, which can be identified using the information in the associated documentation. When working with the EVM, please be aware that the EVM may become very warm.

4.3.2 EVMs are intended solely for use by technically qualified, professional electronics experts who are familiar with the dangers and application risks associated with handling electrical mechanical components, systems, and subsystems. User assumes all responsibility and liability for proper and safe handling and use of the EVM by User or its employees, affiliates, contractors or designees. User assumes all responsibility and liability to ensure that any interfaces (electronic and/or mechanical) between the EVM and any human body are designed with suitable isolation and means to safely limit accessible leakage currents to minimize the risk of electrical shock hazard. User assumes all responsibility and liability for any improper or unsafe handling or use of the EVM by User or its employees, affiliates, contractors or designees.

4.4 User assumes all responsibility and liability to determine whether the EVM is subject to any applicable international, federal, state, or local laws and regulations related to User's handling and use of the EVM and, if applicable, User assumes all responsibility and liability for compliance in all respects with such laws and regulations. User assumes all responsibility and liability for proper disposal and recycling of the EVM consistent with all applicable international, federal, state, and local requirements.

5. *Accuracy of Information:* To the extent TI provides information on the availability and function of EVMs, TI attempts to be as accurate as possible. However, TI does not warrant the accuracy of EVM descriptions, EVM availability or other information on its websites as accurate, complete, reliable, current, or error-free.

6. *Disclaimers:*
- 6.1 EXCEPT AS SET FORTH ABOVE, EVMS AND ANY WRITTEN DESIGN MATERIALS PROVIDED WITH THE EVM (AND THE DESIGN OF THE EVM ITSELF) ARE PROVIDED "AS IS" AND "WITH ALL FAULTS." TI DISCLAIMS ALL OTHER WARRANTIES, EXPRESS OR IMPLIED, REGARDING SUCH ITEMS, INCLUDING BUT NOT LIMITED TO ANY IMPLIED WARRANTIES OF MERCHANTABILITY OR FITNESS FOR A PARTICULAR PURPOSE OR NON-INFRINGEMENT OF ANY THIRD PARTY PATENTS, COPYRIGHTS, TRADE SECRETS OR OTHER INTELLECTUAL PROPERTY RIGHTS.
- 6.2 EXCEPT FOR THE LIMITED RIGHT TO USE THE EVM SET FORTH HEREIN, NOTHING IN THESE TERMS AND CONDITIONS SHALL BE CONSTRUED AS GRANTING OR CONFERRING ANY RIGHTS BY LICENSE, PATENT, OR ANY OTHER INDUSTRIAL OR INTELLECTUAL PROPERTY RIGHT OF TI, ITS SUPPLIERS/LICENSORS OR ANY OTHER THIRD PARTY, TO USE THE EVM IN ANY FINISHED END-USER OR READY-TO-USE FINAL PRODUCT, OR FOR ANY INVENTION, DISCOVERY OR IMPROVEMENT MADE, CONCEIVED OR ACQUIRED PRIOR TO OR AFTER DELIVERY OF THE EVM.
7. *USER'S INDEMNITY OBLIGATIONS AND REPRESENTATIONS.* USER WILL DEFEND, INDEMNIFY AND HOLD TI, ITS LICENSORS AND THEIR REPRESENTATIVES HARMLESS FROM AND AGAINST ANY AND ALL CLAIMS, DAMAGES, LOSSES, EXPENSES, COSTS AND LIABILITIES (COLLECTIVELY, "CLAIMS") ARISING OUT OF OR IN CONNECTION WITH ANY HANDLING OR USE OF THE EVM THAT IS NOT IN ACCORDANCE WITH THESE TERMS AND CONDITIONS. THIS OBLIGATION SHALL APPLY WHETHER CLAIMS ARISE UNDER STATUTE, REGULATION, OR THE LAW OF TORT, CONTRACT OR ANY OTHER LEGAL THEORY, AND EVEN IF THE EVM FAILS TO PERFORM AS DESCRIBED OR EXPECTED.
8. *Limitations on Damages and Liability:*
- 8.1 *General Limitations.* IN NO EVENT SHALL TI BE LIABLE FOR ANY SPECIAL, COLLATERAL, INDIRECT, PUNITIVE, INCIDENTAL, CONSEQUENTIAL, OR EXEMPLARY DAMAGES IN CONNECTION WITH OR ARISING OUT OF THESE TERMS AND CONDITIONS OR THE USE OF THE EVMS PROVIDED HEREUNDER, REGARDLESS OF WHETHER TI HAS BEEN ADVISED OF THE POSSIBILITY OF SUCH DAMAGES. EXCLUDED DAMAGES INCLUDE, BUT ARE NOT LIMITED TO, COST OF REMOVAL OR REINSTALLATION, ANCILLARY COSTS TO THE PROCUREMENT OF SUBSTITUTE GOODS OR SERVICES, RETESTING, OUTSIDE COMPUTER TIME, LABOR COSTS, LOSS OF GOODWILL, LOSS OF PROFITS, LOSS OF SAVINGS, LOSS OF USE, LOSS OF DATA, OR BUSINESS INTERRUPTION. NO CLAIM, SUIT OR ACTION SHALL BE BROUGHT AGAINST TI MORE THAN ONE YEAR AFTER THE RELATED CAUSE OF ACTION HAS OCCURRED.
- 8.2 *Specific Limitations.* IN NO EVENT SHALL TI'S AGGREGATE LIABILITY FROM ANY WARRANTY OR OTHER OBLIGATION ARISING OUT OF OR IN CONNECTION WITH THESE TERMS AND CONDITIONS, OR ANY USE OF ANY TI EVM PROVIDED HEREUNDER, EXCEED THE TOTAL AMOUNT PAID TO TI FOR THE PARTICULAR UNITS SOLD UNDER THESE TERMS AND CONDITIONS WITH RESPECT TO WHICH LOSSES OR DAMAGES ARE CLAIMED. THE EXISTENCE OF MORE THAN ONE CLAIM AGAINST THE PARTICULAR UNITS SOLD TO USER UNDER THESE TERMS AND CONDITIONS SHALL NOT ENLARGE OR EXTEND THIS LIMIT.
9. *Return Policy.* Except as otherwise provided, TI does not offer any refunds, returns, or exchanges. Furthermore, no return of EVM(s) will be accepted if the package has been opened and no return of the EVM(s) will be accepted if they are damaged or otherwise not in a resalable condition. If User feels it has been incorrectly charged for the EVM(s) it ordered or that delivery violates the applicable order, User should contact TI. All refunds will be made in full within thirty (30) working days from the return of the components(s), excluding any postage or packaging costs.
10. *Governing Law:* These terms and conditions shall be governed by and interpreted in accordance with the laws of the State of Texas, without reference to conflict-of-laws principles. User agrees that non-exclusive jurisdiction for any dispute arising out of or relating to these terms and conditions lies within courts located in the State of Texas and consents to venue in Dallas County, Texas. Notwithstanding the foregoing, any judgment may be enforced in any United States or foreign court, and TI may seek injunctive relief in any United States or foreign court.

Mailing Address: Texas Instruments, Post Office Box 655303, Dallas, Texas 75265
Copyright © 2015, Texas Instruments Incorporated

IMPORTANT NOTICE

Texas Instruments Incorporated and its subsidiaries (TI) reserve the right to make corrections, enhancements, improvements and other changes to its semiconductor products and services per JESD46, latest issue, and to discontinue any product or service per JESD48, latest issue. Buyers should obtain the latest relevant information before placing orders and should verify that such information is current and complete. All semiconductor products (also referred to herein as "components") are sold subject to TI's terms and conditions of sale supplied at the time of order acknowledgment.

TI warrants performance of its components to the specifications applicable at the time of sale, in accordance with the warranty in TI's terms and conditions of sale of semiconductor products. Testing and other quality control techniques are used to the extent TI deems necessary to support this warranty. Except where mandated by applicable law, testing of all parameters of each component is not necessarily performed.

TI assumes no liability for applications assistance or the design of Buyers' products. Buyers are responsible for their products and applications using TI components. To minimize the risks associated with Buyers' products and applications, Buyers should provide adequate design and operating safeguards.

TI does not warrant or represent that any license, either express or implied, is granted under any patent right, copyright, mask work right, or other intellectual property right relating to any combination, machine, or process in which TI components or services are used. Information published by TI regarding third-party products or services does not constitute a license to use such products or services or a warranty or endorsement thereof. Use of such information may require a license from a third party under the patents or other intellectual property of the third party, or a license from TI under the patents or other intellectual property of TI.

Reproduction of significant portions of TI information in TI data books or data sheets is permissible only if reproduction is without alteration and is accompanied by all associated warranties, conditions, limitations, and notices. TI is not responsible or liable for such altered documentation. Information of third parties may be subject to additional restrictions.

Resale of TI components or services with statements different from or beyond the parameters stated by TI for that component or service voids all express and any implied warranties for the associated TI component or service and is an unfair and deceptive business practice. TI is not responsible or liable for any such statements.

Buyer acknowledges and agrees that it is solely responsible for compliance with all legal, regulatory and safety-related requirements concerning its products, and any use of TI components in its applications, notwithstanding any applications-related information or support that may be provided by TI. Buyer represents and agrees that it has all the necessary expertise to create and implement safeguards which anticipate dangerous consequences of failures, monitor failures and their consequences, lessen the likelihood of failures that might cause harm and take appropriate remedial actions. Buyer will fully indemnify TI and its representatives against any damages arising out of the use of any TI components in safety-critical applications.

In some cases, TI components may be promoted specifically to facilitate safety-related applications. With such components, TI's goal is to help enable customers to design and create their own end-product solutions that meet applicable functional safety standards and requirements. Nonetheless, such components are subject to these terms.

No TI components are authorized for use in FDA Class III (or similar life-critical medical equipment) unless authorized officers of the parties have executed a special agreement specifically governing such use.

Only those TI components which TI has specifically designated as military grade or "enhanced plastic" are designed and intended for use in military/aerospace applications or environments. Buyer acknowledges and agrees that any military or aerospace use of TI components which have **not** been so designated is solely at the Buyer's risk, and that Buyer is solely responsible for compliance with all legal and regulatory requirements in connection with such use.

TI has specifically designated certain components as meeting ISO/TS16949 requirements, mainly for automotive use. In any case of use of non-designated products, TI will not be responsible for any failure to meet ISO/TS16949.

Products

Audio	www.ti.com/audio
Amplifiers	amplifier.ti.com
Data Converters	dataconverter.ti.com
DLP® Products	www.dlp.com
DSP	dsp.ti.com
Clocks and Timers	www.ti.com/clocks
Interface	interface.ti.com
Logic	logic.ti.com
Power Mgmt	power.ti.com
Microcontrollers	microcontroller.ti.com
RFID	www.ti-rfid.com
OMAP Applications Processors	www.ti.com/omap
Wireless Connectivity	www.ti.com/wirelessconnectivity

Applications

Automotive and Transportation	www.ti.com/automotive
Communications and Telecom	www.ti.com/communications
Computers and Peripherals	www.ti.com/computers
Consumer Electronics	www.ti.com/consumer-apps
Energy and Lighting	www.ti.com/energy
Industrial	www.ti.com/industrial
Medical	www.ti.com/medical
Security	www.ti.com/security
Space, Avionics and Defense	www.ti.com/space-avionics-defense
Video and Imaging	www.ti.com/video

TI E2E Community

e2e.ti.com