

# TMP75BEVM

## User's Guide



Literature Number: SNIU037  
September 2019

---



---



---

<b>1</b>	<b>Trademarks</b> .....	<b>5</b>
<b>2</b>	<b>Overview</b> .....	<b>5</b>
	2.1 EVM Kit Contents .....	5
<b>3</b>	<b>EVM Hardware</b> .....	<b>5</b>
	3.1 Perforations .....	5
	3.2 Subregulator .....	5
	3.3 Logic Level Translator .....	5
	3.4 Programming Header .....	5
	3.5 BSL Button .....	5
<b>4</b>	<b>Software Download</b> .....	<b>6</b>
	4.1 Live Software on dev.ti.com .....	6
	4.2 Offline Software .....	6
<b>5</b>	<b>Software</b> .....	<b>7</b>
	5.1 Home Tab .....	7
	5.2 Data Capture Tab .....	8
	5.3 Settings Tab .....	9
	5.4 Registers Tab .....	10
	5.5 Collateral Tab .....	11
<b>6</b>	<b>Schematic, Board Layout and Bill of Materials</b> .....	<b>12</b>
	6.1 Schematic .....	12
	6.2 Printed-Circuit Board .....	13
	6.3 Bill of Materials .....	13

## List of Figures

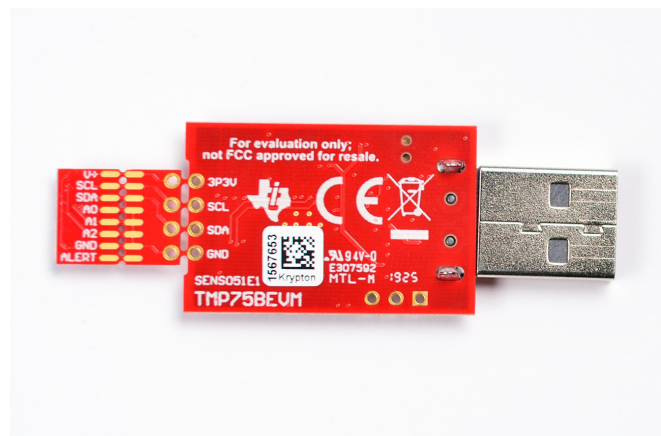
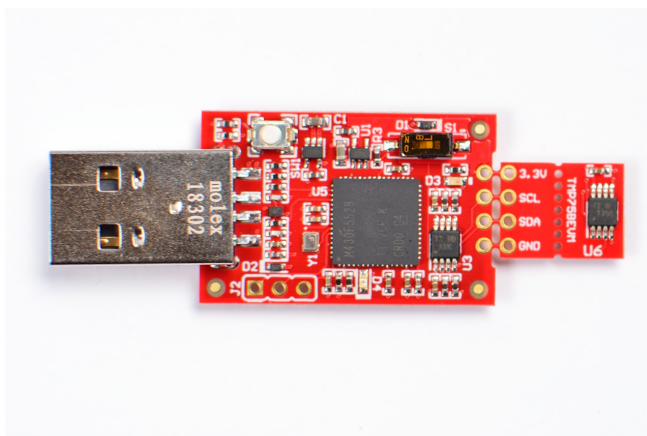
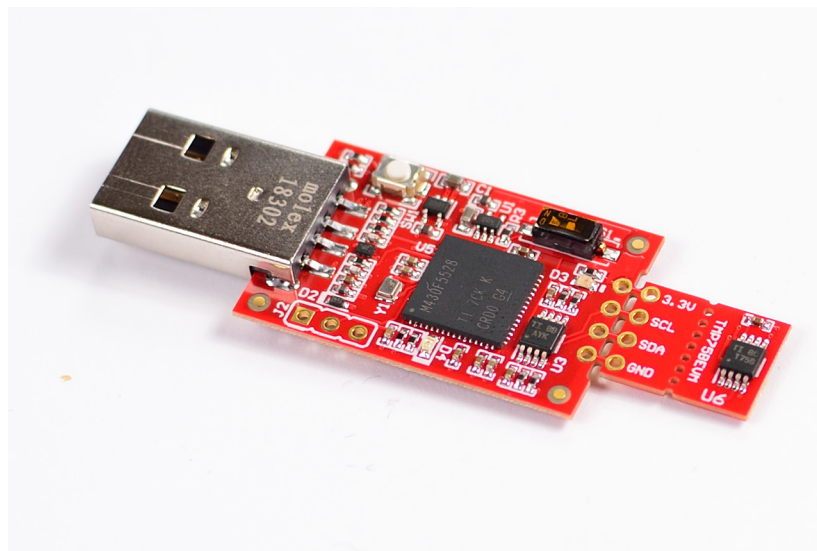
1	Download Pop-Up .....	6
2	Home .....	7
3	Data Capture .....	8
4	Settings.....	9
5	Registers .....	10
6	Collateral .....	11
7	Schematic .....	12
8	Top View .....	13
9	Bottom View .....	13

## List of Tables

1	EVM Kit Contents.....	5
---	-----------------------	---

## **TMP75BEVM User's Guide**

This user's guide describes the characteristics, operation, and use of the TMP75BEVM evaluation board. This user's guide discusses how to set up and configure the software, discusses the hardware, and reviews various aspects of the software operation. Throughout this document, the terms evaluation board, evaluation module, and EVM are synonymous with the TMP75BEVM. This user's guide also provides information on the operating procedure, input and output connections, an electrical schematic, printed-circuit board (PCB) layout drawings, and a parts list for the EVM.



## 1 Trademarks

All trademarks are the property of their respective owners.

## 2 Overview

The TMP75BEVM allows users to evaluate the performance of the TMP75B digital temperature sensor. The EVM comes in a USB stick form factor, with an onboard MSP430F5528 microcontroller that interfaces with both the host computer and the TMP75B device using an I2C interface. The module is designed with perforations between the sensor and host controller on the EVM board. The perforation allows the user flexibility in their evaluation:

- The user can connect the TMP75B to the user's system/host.
- The user can connect the EVM host and software to the user's system with TMP75B devices.
- Small individual boards allow the user to place sensors in the user's system.
- Hole spacing is compatible with common 0.1" prototyping breadboards.

### 2.1 EVM Kit Contents

Table 1 details the contents of the EVM kit. Contact the Texas Instruments Product Information Center nearest you if any components are missing. TI highly recommends that users check the TI website at <http://www.ti.com> to verify that they have the latest versions of the related software.

**Table 1. EVM Kit Contents**

Item	Quantity
TMP75BEVM	1

## 3 EVM Hardware

### 3.1 Perforations

The perforation between the USB controller and TMP75B sensor is labeled on both sides for pin connections.

### 3.2 Subregulator

The switch S1 enables and disables the on-board 1.8-V regulator: U1. When the subregulator is enabled, the green LED D3 illuminates. The subregulator must be enabled for normal operation of TMP75BEVM.

### 3.3 Logic Level Translator

The translator U3 separates the MSP430 I2C host from the TMP75B device. This is not required for end applications, but the translator is provided on the EVM as a courtesy. When the subregulator is disabled, a voltage between 1.4 V and 3.6 V can be applied at the 1P8V net, which is the 1.8-V pin on the perforation. This external voltage will illuminate the green LED D3 and power the TMP75B device.

### 3.4 Programming Header

The TMP75BEVM comes pre-loaded with firmware that is necessary for the correct operation of the USB interface and PC GUI software. The unpopulated header, J2, is provided for Spy-Bi-Wire access to the MSP430F5528. TI does not recommend that users access this header or reprogram the device.

### 3.5 BSL Button

The TMP75BEVM features push-button SW1 for entering USB BSL mode. This can be used for firmware updates.

## 4 Software Download

The PC GUI Software for TMP75BEVM runs on TI's GUI Composer framework. The software is available as a live version which runs in your browser, and it is available as a download for offline use. The software is compatible with Windows, Mac, and Linux operating systems.

### 4.1 Live Software on dev.ti.com


The live software currently works on Chrome, Firefox, and Safari browsers. Internet Explorer is not supported. Users can access the live version through one of the following actions:

- Go to the EVM tool page and click on the View button
- Go to [dev.ti.com/gallery](https://dev.ti.com/gallery) and search for TMP75BEVM

Click on the application icon within the gallery to launch the software. Click on the prompt to install the TI Cloud Agent Bridge browser plugin.

### 4.2 Offline Software

#### 4.2.1 Download from dev.ti.com

Users can access the latest version of the offline software by navigating to the live version as noted above. Look for the download icon  and download both the application and runtime for the operating system as shown in the Gallery Download.

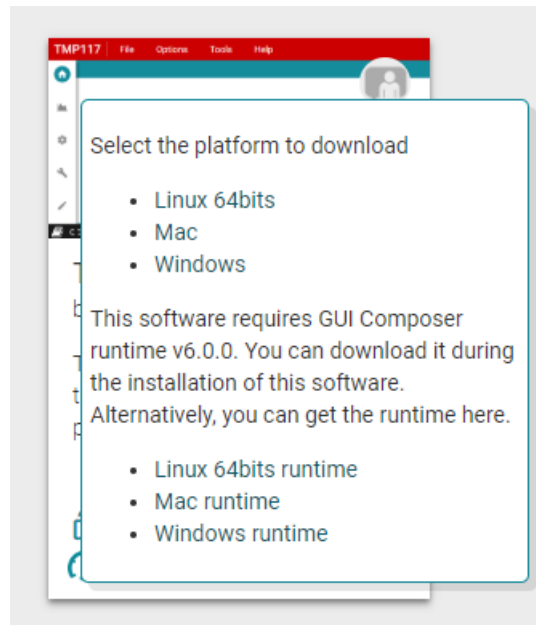
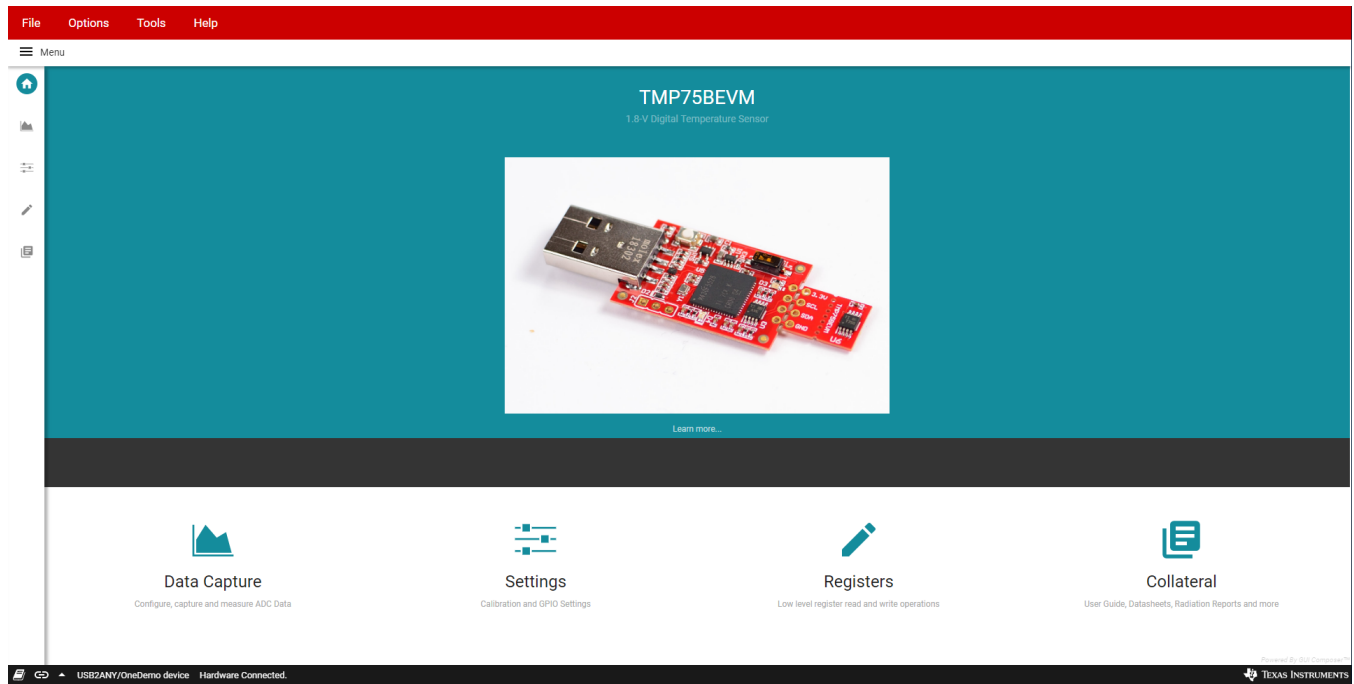


Figure 1. Download Pop-Up

## 5 Software

### 5.1 Home Tab

The Home Tab is shown at software launch. The Learn More link displays Features and Functional Diagram for the TMP75B device. The icons are shortcuts to the tabs shown on the left side of the screen.



**Figure 2. Home**

## 5.2 Data Capture Tab

The Data Capture tab reports the temperature from the TMP75B device included on the TMP75BEVM. To enable Data Capture, select an Auto Read setting at the top of the Registers tab.

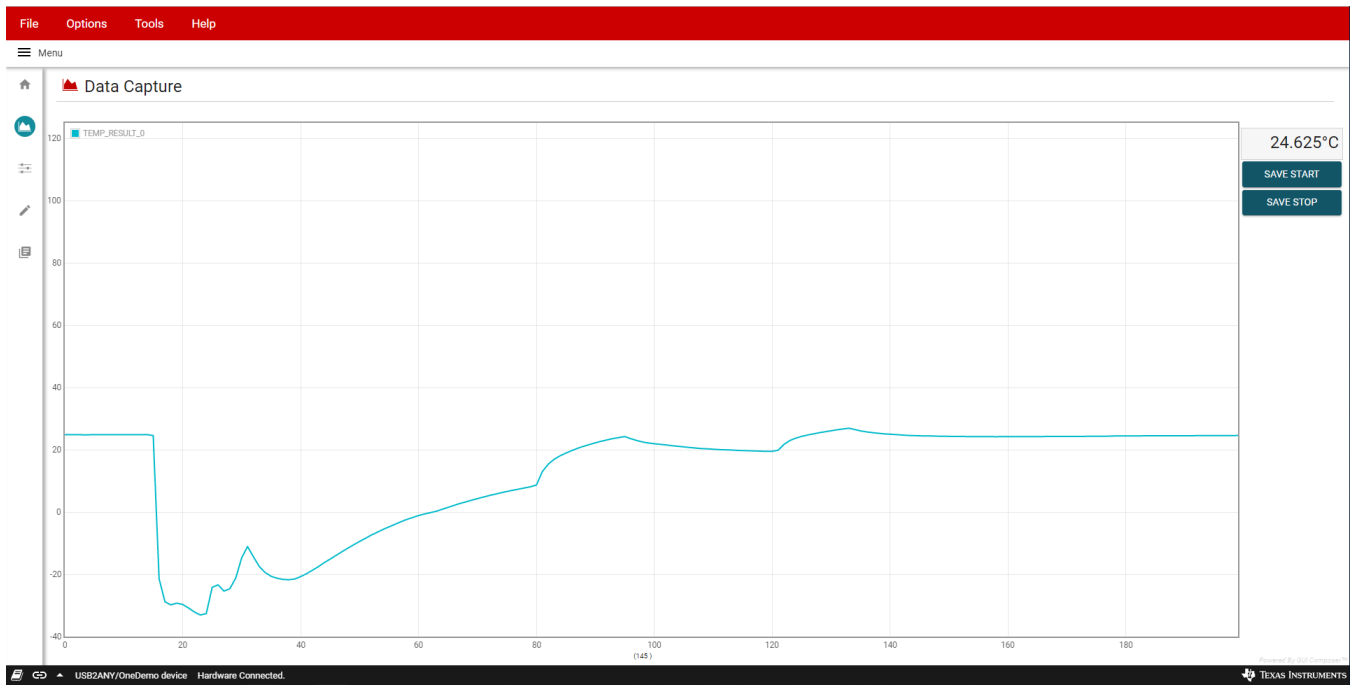


Figure 3. Data Capture



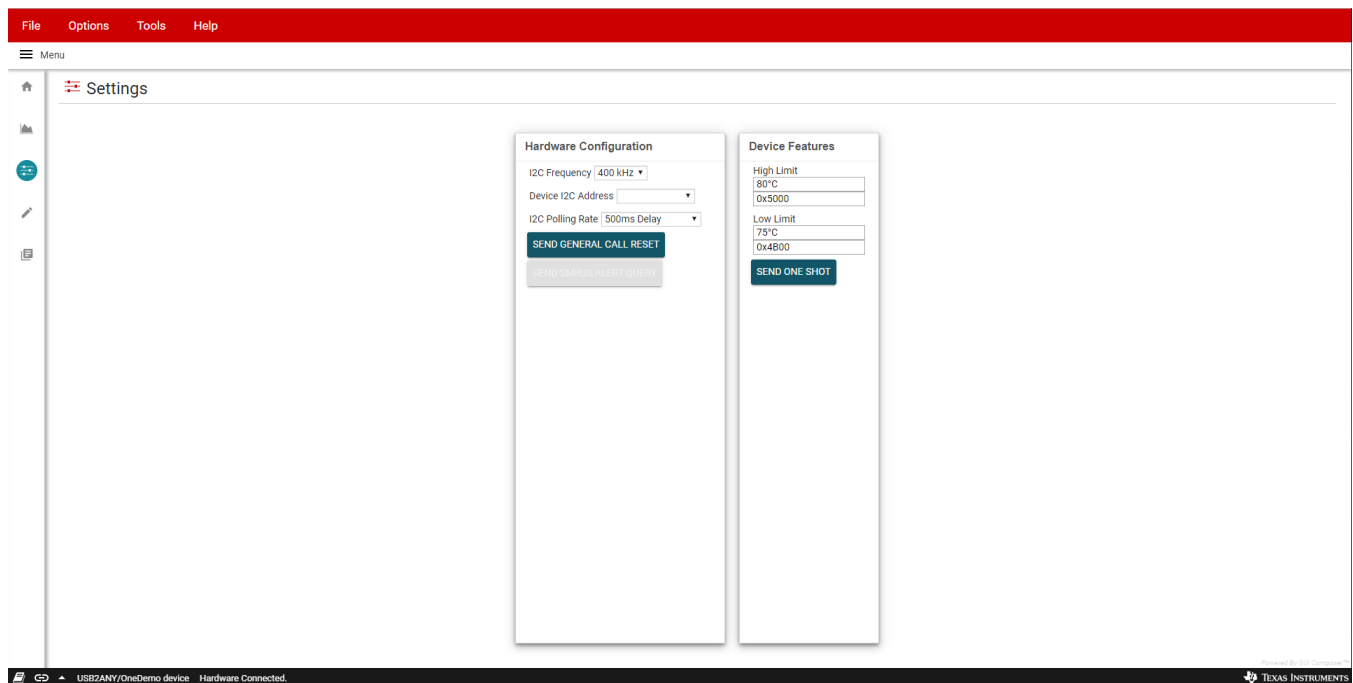
### 5.3 Settings Tab

The Settings tab provides the hardware configuration for the USB to I2C bridge and device features for the TMP75B device.

Selecting the wrong Device I2C Address will cause the GUI to disconnect from the USB device. The hardware must be modified at the TMP75B device to change the TMP75B's address. The link icon in the bottom left corner indicates the current connection status, and the user can click on the area to change the connection status.

If the user makes changes to the High Limit and Low Limit fields, this will trigger an immediate write to the TMP75B's limit register if Immediate mode is enabled on the Registers tab.

The Send One Shot button will force a I2C write to the TMP75B's Configuration register with the OS bit set to 1.

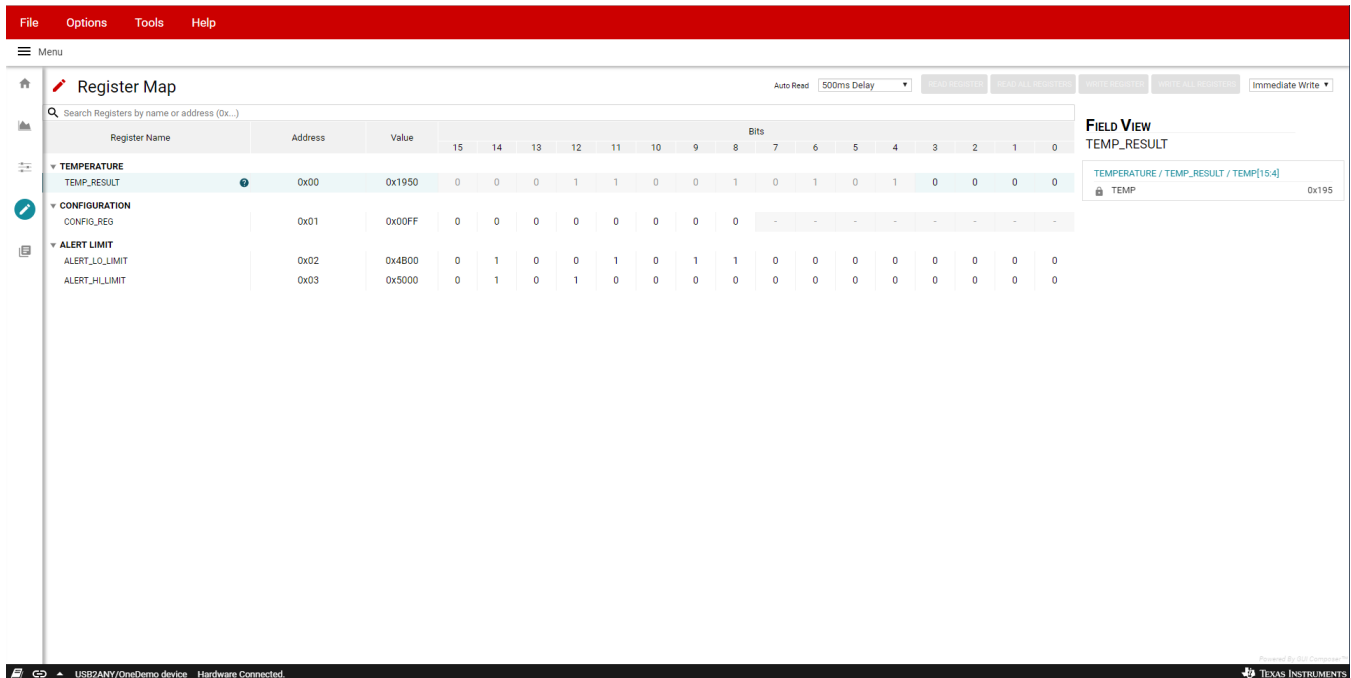


**Figure 4. Settings**

## 5.4 Registers Tab

The Registers tab interacts with the registers and bits within the TMP75B device.

The Auto Read drop-down box configures polling of register contents. When Auto Read is Off, it is necessary to click Read Register to fetch the contents of the current register. Read All Registers can be used to fetch the contents of all registers at once. The Write Register button is greyed and disabled when the drop-down next to the button is set to Immediate. Immediate mode triggers a Write operation each time a register is modified. When Deferred mode is selected, the Write Register button is enabled, and write operations will not be performed unless the Write Register button is clicked. These settings give the user total control over I2C Bus activity, and enable individual transactions to be easily observed with an oscilloscope, logic analyzer, or bus-sniffing device.

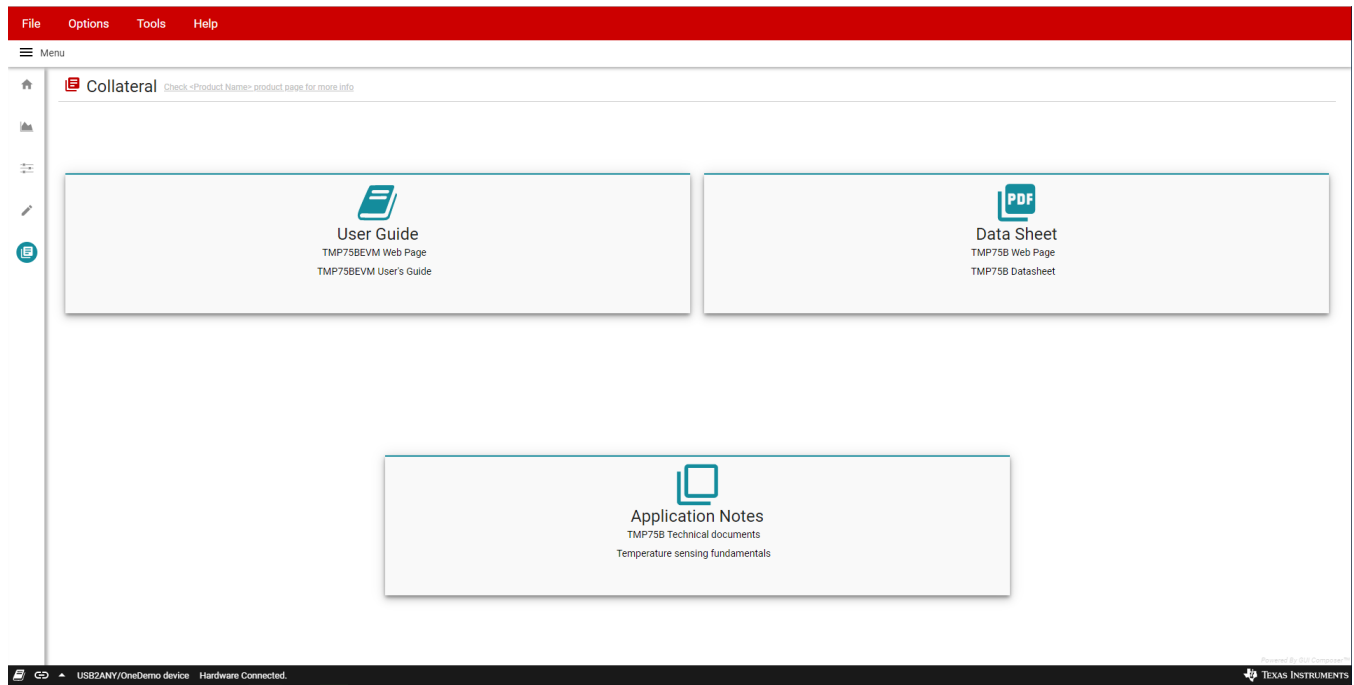


Register Name	Address	Value	15	14	13	12	11	10	9	8	7	6	5	4	3	2	1	0
TEMP_RESULT	0x00	0x1950	0	0	0	1	1	0	0	1	0	1	0	1	0	0	0	0
CONFIG_REG	0x01	0x00FF	0	0	0	0	0	0	0	0	-	-	-	-	-	-	-	
ALERT_LO_LIMIT	0x02	0x4800	0	1	0	0	1	0	1	1	0	0	0	0	0	0	0	0
ALERT_HI_LIMIT	0x03	0x5000	0	1	0	1	0	0	0	0	0	0	0	0	0	0	0	0

Figure 5. Registers

## 5.5 Collateral Tab

The Collateral tab contains links to the EVM user's guide, the tool page on ti.com, as well as links to the product data sheet and other relevant links.



**Figure 6. Collateral**

## 6 Schematic, Board Layout and Bill of Materials

### 6.1 Schematic

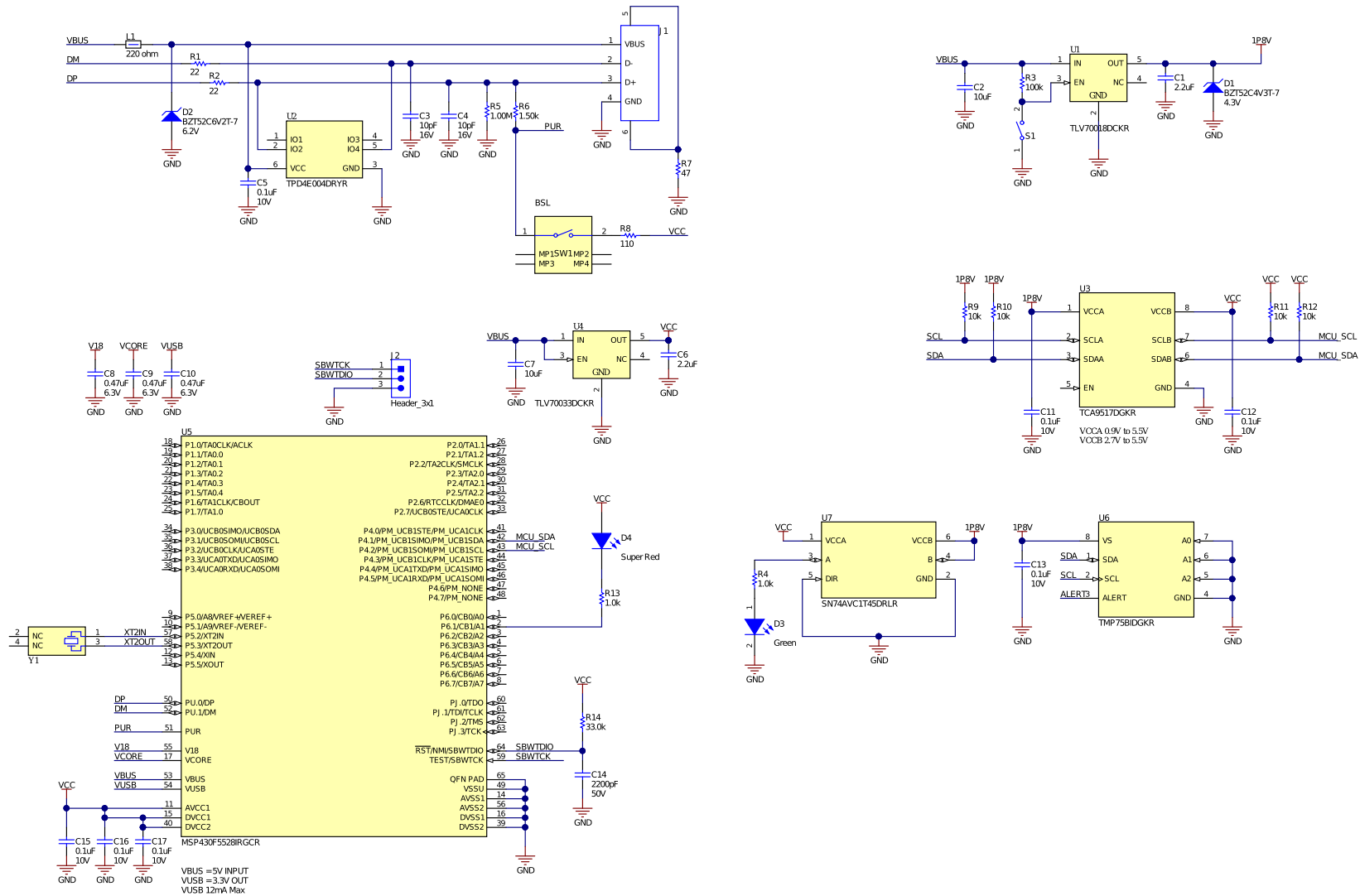


Figure 7. Schematic

## 6.2 Printed-Circuit Board

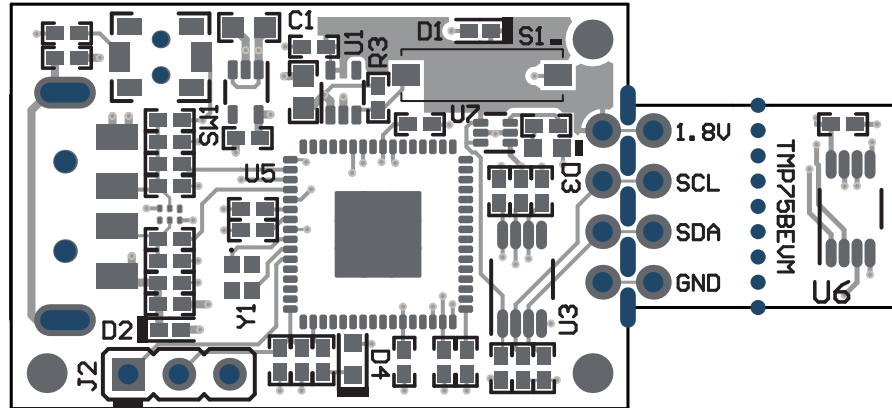


Figure 8. Top View

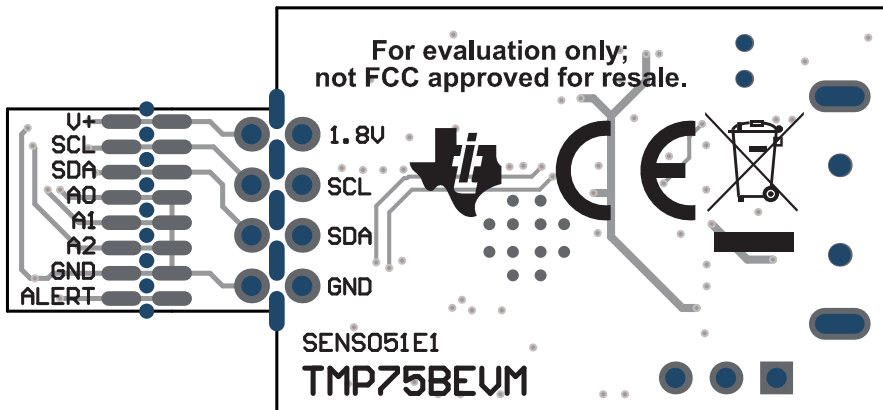


Figure 9. Bottom View

## 6.3 Bill of Materials

Designator	Quantity	Value	Description	Package Reference	Part Number	Manufacturer
!PCB1	1		Printed Circuit Board		SENS051	Any
C1, C6	2	2.2uF	CAP, CERM, 2.2 uF, 16 V, +/- 10%, X5R, 0402	0402	GRM155R61C225KE11D	MuRata

Designator	Quantity	Value	Description	Package Reference	Part Number	Manufacturer
C2, C7	2	10uF	CAP, CERM, 10 uF, 10 V, +/- 20%, X5R, 0603	0603	C1608X5R1A10 6M080AC	TDK
C3, C4	2	10pF	CAP, CERM, 10 pF, 16 V, +/- 10%, C0G, 0402	0402	C0402C100K4G ACTU	Kemet
C5, C11, C12, C13, C15, C16, C17	7	0.1uF	CAP, CERM, 0.1 uF, 10 V, +/- 10%, X5R, 0402	0402	LMK105BJ104K V-F	Taiyo Yuden
C8, C9, C10	3	0.47uF	CAP, CERM, 0.47 uF, 6.3 V, +/- 10%, X7R, 0402	0402	JMK105B7474K VHF	Taiyo Yuden
C14	1	2200pF	CAP, CERM, 2200 pF, 50 V, +/- 5%, X7R, 0402	0402	CL05B222JB5N NNC	Samsung Electro-Mechanics
D1	1	4.3V	Diode, Zener, 4.3 V, 300 mW, SOD-523	SOD-523	BZT52C4V3T-7	Diodes Inc.
D2	1	6.2V	Diode, Zener, 6.2 V, 300 mW, SOD-523	SOD-523	BZT52C6V2T-7	Diodes Inc.
D3	1	Green	LED, Green, SMD	LED, GREEN, 0603	SML-LX0603GW-TR	Lumex
D4	1	Super Red	LED, Super Red, SMD	LED_0603	150060SS75000	Würth Elektronik
J1	1		Connector, Plug, USB Type A, R/A, Top Mount SMT	USB Type A right angle	48037-1000	Molex
L1	1	220 ohm	Ferrite Bead, 220 ohm @ 100 MHz, 0.45 A, 0402	0402	BLM15AG221SN 1D	MuRata
R1, R2	2	22	RES, 22, 5%, 0.1 W, AEC-Q200 Grade 0, 0402	0402	ERJ-2GEJ220X	Panasonic
R3	1	100k	RES, 100 k, 5%, 0.1 W, AEC-Q200 Grade 0, 0402	0402	ERJ-2GEJ104X	Panasonic
R4, R13	2	1.0k	RES, 1.0 k, 5%, 0.1 W, AEC-Q200 Grade 0, 0402	0402	ERJ-2GEJ102X	Panasonic
R5	1	1.00Meg	RES, 1.00 M, 1%, 0.063 W, AEC-Q200 Grade 0, 0402	0402	RMCF0402FT1 M00	Stackpole Electronics Inc
R6	1	1.50k	RES, 1.50 k, 1%, 0.063 W, AEC-Q200 Grade 0, 0402	0402	RMCF0402FT1K 50	Stackpole Electronics Inc
R7	1	47	RES, 47, 5%, 0.1 W, AEC-Q200 Grade 0, 0402	0402	ERJ-2GEJ470X	Panasonic
R8	1	110	RES, 110, 1%, 0.1 W, AEC-Q200 Grade 0, 0402	0402	ERJ-2RKF1100X	Panasonic

Designator	Quantity	Value	Description	Package Reference	Part Number	Manufacturer
R9, R10, R11, R12	4	10k	RES, 10 k, 5%, 0.1 W, AEC-Q200 Grade 0, 0402	0402	ERJ-2GEJ103X	Panasonic
R14	1	33.0k	RES, 33.0 k, 1%, 0.063 W, 0402	0402	RC0402FR-0733KL	Yageo America
S1	1		Switch, Slide, SPST, Top Slide, SMT	Switch, Single Top Slide, 2.5x8x2.5mm	CHS-01TB	Copal Electronics
SW1	1		Switch, SPST-NO, Off-Mom, 0.05A, 12VDC, SMD	3.9x2.9mm	PTS820 J20M SMTR LFS	C&K Components
U1	1		Single Output LDO, 200 mA, Fixed 1.8 V Output, 2 to 5.5 V Input, with Low IQ, 5-pin SC70 (DCK), -40 to 125 degC, Green (RoHS & no Sb/Br)	DCK0005A	TLV70018DCKR	Texas Instruments
U2	1		4-Channel ESD Protection Array for High-Speed Data Interfaces, DRY0006A (USON-6)	DRY0006A	TPD4E004DRYR	Texas Instruments
U3	1		Level-Shifting I2C Bus Repeater, DGK0008A (VSSOP-8)	DGK0008A	TCA9517DGKR	Texas Instruments
U4	1		Single Output LDO, 200 mA, Fixed 3.3 V Output, 2 to 5.5 V Input, with Low IQ, 5-pin SC70 (DCK), -40 to 125 degC, Green (RoHS & no Sb/Br)	DCK0005A	TLV70033DCKR	Texas Instruments
U5	1		16-Bit Ultra-Low-Power Microcontroller, 128KB Flash, 8KB RAM, USB, 12Bit ADC, 2 USCIs, 32Bit HW MPY, RGC0064B (VQFN-64)	RGC0064B	MSP430F5528IRGCR	Texas Instruments
U6	1		1.4V-Capable Temperature Sensor with I2C/SMBus Interface in LM75 Form Factor & Pinout, DGK0008A (VSSOP-8)	DGK0008A	TMP75BIDGKR	Texas Instruments

Designator	Quantity	Value	Description	Package Reference	Part Number	Manufacturer
U7	1		Single-Bit Dual-Supply Bus Transceiver with Configurable Voltage Translation and 3-State Outputs, DRL0006A, LARGE T&R	DRL0006A	SN74AVC1T45D RLR	Texas Instruments
Y1	1		Crystal, 24 MHz, SMD	2x1.6mm	XRCGB24M000 F2P00R0	MuRata
J2	0		Header, 2.54 mm, 3x1, Gold, TH	Header, 2.54 mm, 3x1, TH	GBC03SAAN	Sullins Connector Solutions



## IMPORTANT NOTICE AND DISCLAIMER

TI PROVIDES TECHNICAL AND RELIABILITY DATA (INCLUDING DATA SHEETS), DESIGN RESOURCES (INCLUDING REFERENCE DESIGNS), APPLICATION OR OTHER DESIGN ADVICE, WEB TOOLS, SAFETY INFORMATION, AND OTHER RESOURCES "AS IS" AND WITH ALL FAULTS, AND DISCLAIMS ALL WARRANTIES, EXPRESS AND IMPLIED, INCLUDING WITHOUT LIMITATION ANY IMPLIED WARRANTIES OF MERCHANTABILITY, FITNESS FOR A PARTICULAR PURPOSE OR NON-INFRINGEMENT OF THIRD PARTY INTELLECTUAL PROPERTY RIGHTS.

These resources are intended for skilled developers designing with TI products. You are solely responsible for (1) selecting the appropriate TI products for your application, (2) designing, validating and testing your application, and (3) ensuring your application meets applicable standards, and any other safety, security, regulatory or other requirements.

These resources are subject to change without notice. TI grants you permission to use these resources only for development of an application that uses the TI products described in the resource. Other reproduction and display of these resources is prohibited. No license is granted to any other TI intellectual property right or to any third party intellectual property right. TI disclaims responsibility for, and you will fully indemnify TI and its representatives against, any claims, damages, costs, losses, and liabilities arising out of your use of these resources.

TI's products are provided subject to [TI's Terms of Sale](#) or other applicable terms available either on [ti.com](http://ti.com) or provided in conjunction with such TI products. TI's provision of these resources does not expand or otherwise alter TI's applicable warranties or warranty disclaimers for TI products.

TI objects to and rejects any additional or different terms you may have proposed.

Mailing Address: Texas Instruments, Post Office Box 655303, Dallas, Texas 75265  
Copyright © 2022, Texas Instruments Incorporated