

Converting single-ended video to differential video in single-supply systems

By Jim Karki

Member, Technical Staff, High-Performance Analog

Introduction

Video signals are commonly encoded, decoded, and processed as single-ended, but it is often desirable to convert them to differential for transmission over cables. A good example is a security system where cameras are placed in various locations and the video feeds are routed back to a central location for observation and storage.

Because of its inherent resistance to noise, differential transmission has been used for many years in telephone lines and professional audio. Assuming

noise is coupled equally into the differential transmission line(s), it shows up at the receiver as a common-mode signal that is rejected.

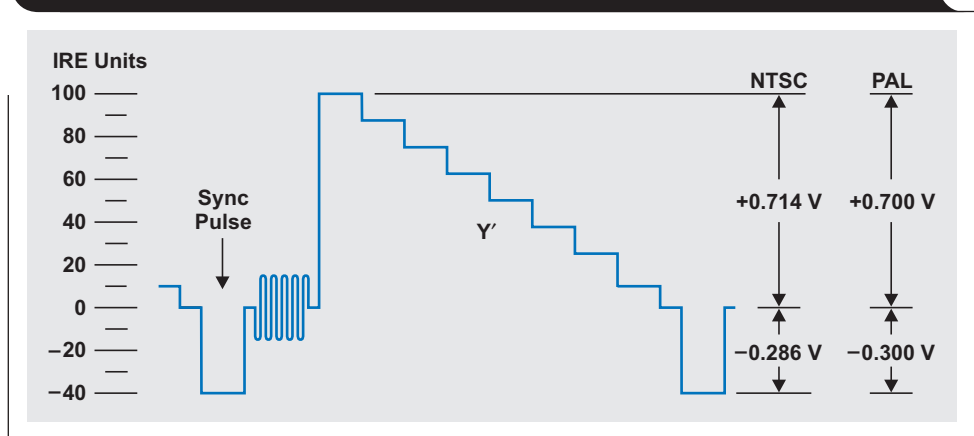
With single-supply devices becoming more and more common these days, it is nice to design the line-drive circuit to be single-supply as well. In single-supply systems, the signal levels are shifted to fit within the supply voltage, and the bias levels need to be accounted for so as not to cause unwanted offsets in the output. These tasks are aside from the normal ones like setting gains, choosing the type of line termination, and allowing for adequate bandwidth and slew rate.

Single-ended-output operational amplifiers or fully differential amplifiers (FDAs) can be used to convert single-ended video signals to differential. The purpose of this article is to show how to use an FDA to convert single-ended video signals to differential to drive a Cat 5 cable with double termination in a single-supply system. It is assumed that the reader is familiar with FDA concepts and use. For more information on FDA fundamentals, please see Reference 1.

Typical video parameters

Figure 1 shows a composite video baseband signal (CVBS) showing grayscale that is often used with standard-definition (SD) video. SD video characteristics typically follow the analog-signal standards established for the NTSC or PAL television broadcast systems. The total peak-to-peak output voltage is specified to be $140 \text{ IRE} = 1 \text{ V}_{PP}$, with only the sync and luminance (Y') where the sync pulse is negative. With chrominance information added, a

Figure 1. SD composite video baseband signal (CVBS) showing grayscale



fully modulated composite video signal is about 1.23 V_{PP} . To support the negative pulse, split-supply ($\pm V_S$) operational amplifiers can be used, or AC coupling where the DC levels are restored at the receiver. Using a split supply or AC coupling requires more components and is more costly. DC coupling can lower cost, but moving to DC-coupled signals that support a single supply requires level shifting the signal. For example, the data sheet of the Texas Instruments (TI) TMS320DM368 video processor specifies video-buffer output voltages ranging from 0.35 V to 1.35 V with a $75\text{-}\Omega$ load. In this way, a 1-V_{PP} video signal can be supported with a shift in bias level and is acceptable in consumer video.

Other higher-definition video formats like enhanced-definition (ED) and high-definition (HD) do not encode as much different information into one line as SD. They use multiple lines with signals of varying duration and transition speed depending on the video content and specification.

So video signals are pulse-oriented by nature, and amplifiers and transmission media need to have excellent pulse characteristics to properly reproduce them. Because of this, it is standard practice to use double termination of the transmission line. In double termination, the amplifier driving the line is designed to have the same output impedance as the characteristic line impedance, and the receiver is designed to have the same input impedance as the characteristic line impedance. With this configuration, reflections from pulse edges are minimized and the best signal integrity is maintained. Since operational amplifiers are ideally voltage sources, their outputs have very low impedance (near $0 \text{ }\Omega$), and matching the output impedance

is easily done by adding a series output resistor. This output resistor, in conjunction with the input impedance of the receiver, gives a 6-dB loss that is inherent in double termination. To make up for the loss, it is common practice for video buffers to be designed to have a gain of 2 V/V (6 dB) so the overall gain from video source to load is 1 V/V (0 dB).

Category 5 (Cat 5) cabling is very common and used widely for computer local-area networks (LANs), but it is also used to carry other signals such as telephone, video, and audio. Most Cat 5 cables are low-cost and unshielded and use a twisted-pair design with differential signaling for noise rejection. The nominal characteristic impedance of Cat 5 cable is 100 Ω.

Circuit analysis

Proposed circuit #1

A first proposed circuit for converting a single-ended video signal from a single-supply video source like the TMS320DM368 to drive a differential line might be as shown in Figure 2. The function of the various elements is as follows:

V_{S+} is the power supply to the amplifier; and the negative supply input, V_{S-} , is grounded.

V_{IN} is the input from the TMS320DM368 video source, ranging from 0.35 V to 1.35 V.

R_G and R_F are the main gain-setting resistors for the amplifier. For a gain of 2 V/V, $R_F = 2R_G$.

V_{OUT+} and V_{OUT-} are the differential output signals from the FDA. They are 180° out of phase and are level shifted to the common-mode output voltage, V_{OCM} .

The two R_O resistors are selected to match the characteristic line impedance, Z_O . For $Z_O = 100\ \Omega$, $R_O = 50\ \Omega$.

R_L is the resistor selected to match Z_O . For $Z_O = 100\ \Omega$, $R_L = 100\ \Omega$.

At first look the circuit in Figure 2 might appear to be acceptable, but closer inspection shows it needs some work. This circuit does not provide a 75-Ω load for the TMS320DM368 video buffer, so the buffer output voltages will not be correct. When driven from a video source like the TMS320DM368, whose video-buffer output range is 0.35 V to 1.35 V, the output signals from this circuit will have a differential offset equal to the common-mode voltage of the video signal times the gain and will be level shifted to V_{OCM} . Calculations show that the Figure 2 circuit output will have a 1.7-V differential offset. To correct the offset, R_G on the undriven side of the FDA must be split and biased to make a Thevenin equivalent of R_G on the driven side of the FDA. The Thevenin-equivalent input voltage equals the common-mode voltage from the video source; i.e., $V_{TH} = V_{IN_CM}$.

Figure 2. Proposed circuit #1 for converting single-ended video signals to differential

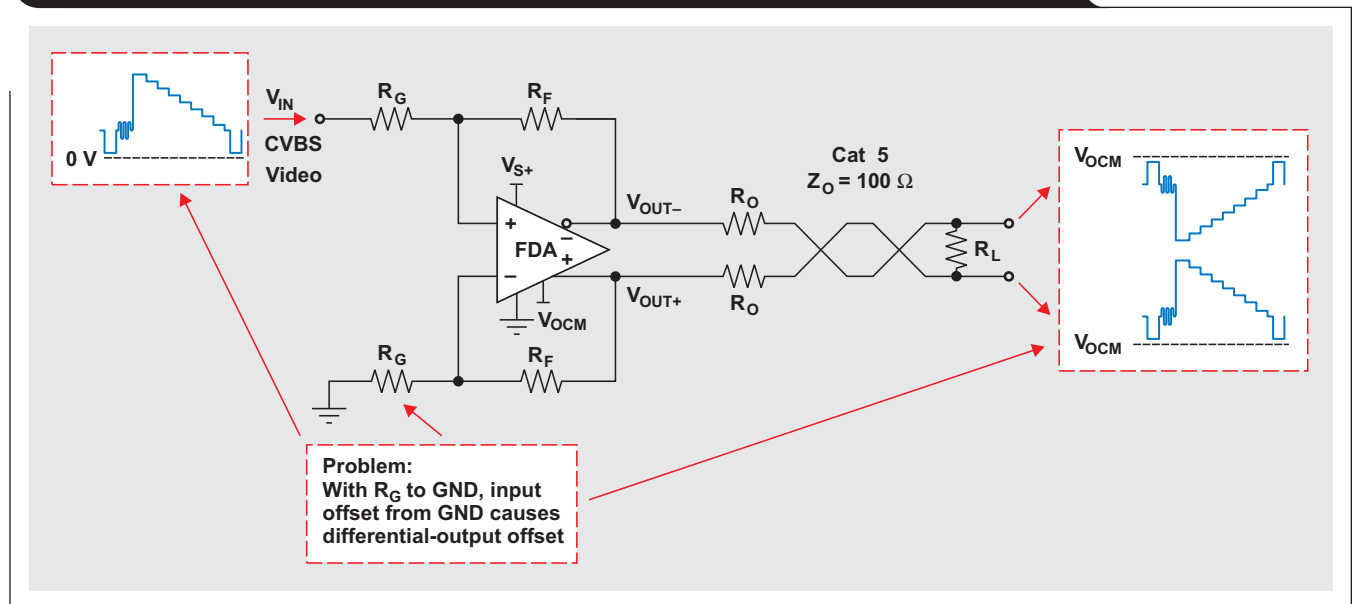
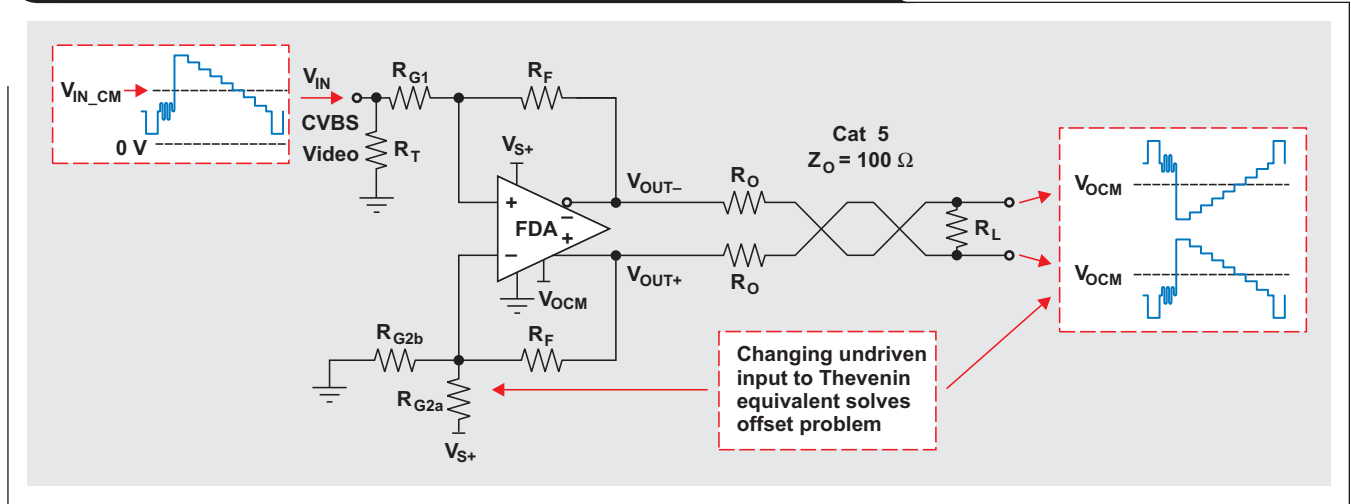


Figure 3. Proposed circuit #2 with corrected differential-output offset



Proposed circuit #2

A second proposed circuit for converting a single-ended video signal from a single-supply video source like the TMS320DM368 to drive a differential line is shown in Figure 3. In this version, the circuit is improved to correct the offset in circuit #1 by adding R_T for a 75- Ω input termination and changing R_G on the undriven side of the FDA to be the Thevenin equivalent of the driven side, with $V_{TH} = V_{IN_CM}$. The function of the components is the same as before, with R_G on the undriven side replaced by R_{G2a} and R_{G2b} . An analysis and a simulation of circuit #2 follow.

Analysis of circuit #2

For analysis of circuit #2 in Figure 3, it is assumed that the FDA is an ideal amplifier with infinite gain and no offset. One goal of the design is to make the undriven side of the FDA a Thevenin equivalent of the driven side. This is working backwards from the normal way to use the theorem, converting the simpler form of the driven side to a more complex circuit on the undriven side.

The first step is to set the parallel sum, $R_{G2a} \parallel R_{G2b} = R_{TH}$, where $R_{TH} = R_{G1} + R_S \parallel R_T$. This can be written in equation form as

$$R_{TH} = R_{G1} + \frac{R_S \times R_T}{R_S + R_T} \tag{1}$$

R_S equals 75 Ω and is the output impedance of the TMS320DM368 video buffer. R_T equals 82.5 Ω and is the resistance required to make the input impedance of the amplifier circuit equal 75 Ω . For detailed information on how to select R_T and R_{G1} for proper termination and gain, see Reference 2.

The second step is to set $V_{TH} = V_{IN_CM}$, where

$$V_{IN_CM} = \frac{V_{IN(min)} + V_{IN(max)}}{2} \tag{2}$$

The required V_{TH} is easy to analyze by using Figure 4 and is calculated by

$$V_{TH} = V_{S+} \times \frac{R_{G2b}}{R_{G2a} + R_{G2b}} \tag{3}$$

For completeness before going on, assuming the device has been set up per the foregoing, the gain from single-ended input to differential output is set by

$$G = \frac{V_{OUT\pm}}{V_{IN}} = 2 \times \frac{R_F}{R_{TH}} \times \frac{R_T}{R_S + R_T} \tag{4}$$

Each single-ended output is half the differential output and is level shifted to V_{OCM} :

$$V_{OUT+} = V_{IN} \times \frac{R_F}{R_{TH}} \times \frac{R_T}{R_S + R_T} + V_{OCM}$$

$$V_{OUT-} = -V_{IN} \times \frac{R_F}{R_{TH}} \times \frac{R_T}{R_S + R_T} + V_{OCM}$$

Figure 4. Thevenin equivalent (V_{TH}) analysis diagram

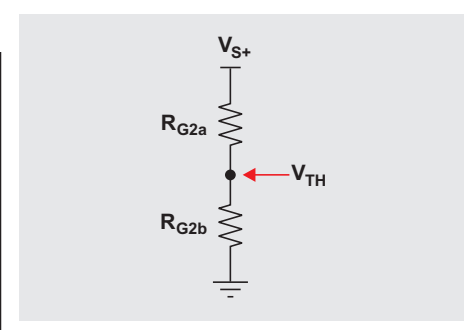
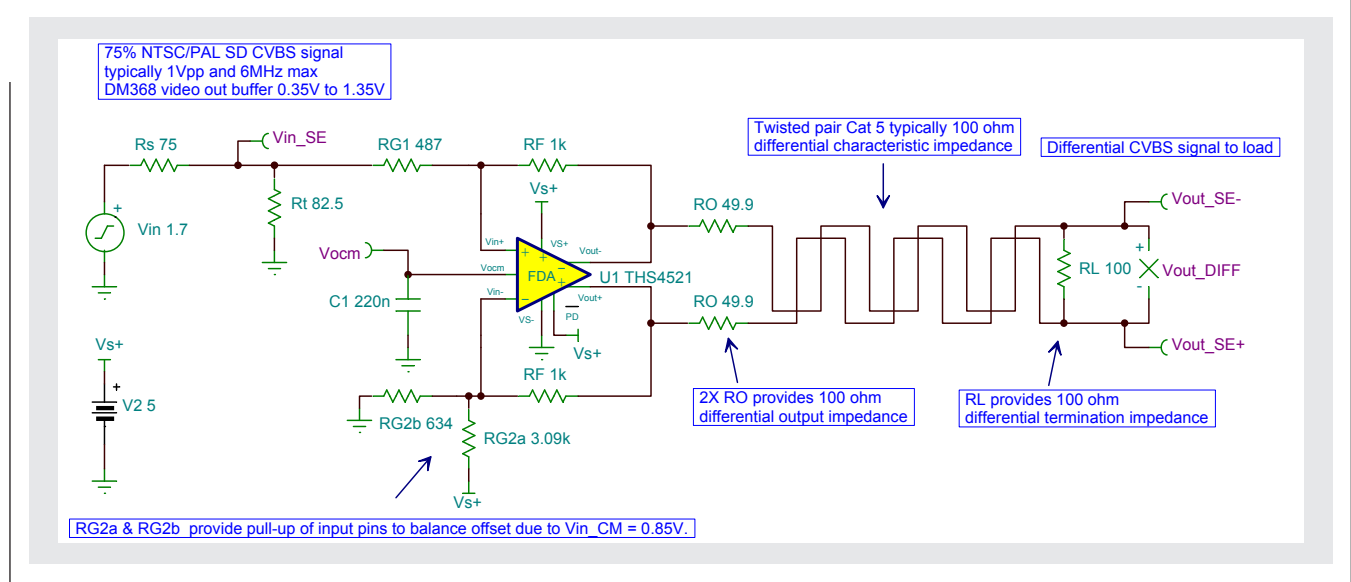


Figure 5. TINA-TI™ example circuit



To find the unique values of R_{G2a} and R_{G2b} that will satisfy the design, Equations 1 and 3 need to be rearranged and solved simultaneously. One approach yields

$$R_{G2a} = R_{TH} \times \frac{V_{S+}}{V_{TH}} \quad (5)$$

This value can then be used to find

$$R_{G2b} = \frac{R_{G2a} \times R_{TH}}{R_{G2a} - R_{TH}} \quad (6)$$

Calculation example for circuit #2

For this example of how to use circuit #2, it is assumed that the input signal is from the TMS320DM368, with a signal output range of 0.35 V to 1.35 V. Cat 5 cable is used, so $R_O = 50 \Omega$ and $R_L = 100 \Omega$ for double termination. The TI THS4521, an FDA with a single +5-V supply, was chosen for this example.

The THS4521 data sheet recommends that R_F be equal to 1 k Ω . To provide 75- Ω input termination and a value for G of 2 V/V (6 dB), R_{G1} can be set at 487 Ω and R_T at 82.5 Ω per Reference 2. These values can be used in the following equations to calculate the remaining resistor values.

Using Equation 1:

$$R_{TH} = R_{G1} + \frac{R_S \times R_T}{R_S + R_T} = 487 \Omega + \frac{75 \Omega \times 82.5 \Omega}{75 \Omega + 82.5 \Omega} = 526 \Omega$$

Using Equation 2:

$$V_{IN_CM} = \frac{V_{IN(min)} + V_{IN(max)}}{2} = \frac{0.35 \text{ V} + 1.35 \text{ V}}{2} = 0.85 \text{ V}$$

Using Equation 5:

$$R_{G2a} = R_{TH} \times \frac{V_{S+}}{V_{TH}} = 526 \Omega \times \frac{5 \text{ V}}{0.85 \text{ V}} = 3096 \Omega$$

Using Equation 6:

$$R_{G2b} = \frac{R_{G2a} \times R_{TH}}{R_{G2a} - R_{TH}} = \frac{3096 \Omega \times 526 \Omega}{3096 \Omega - 526 \Omega} = 634 \Omega$$

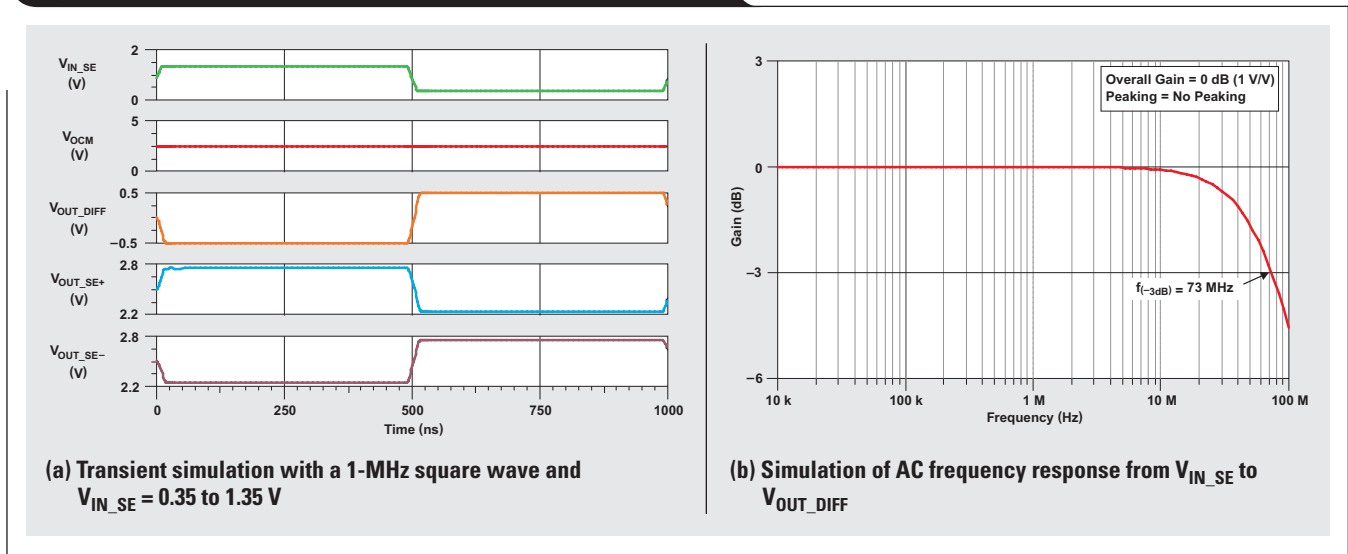
The nearest standard 1% values, 3.09 k Ω and 634 Ω , are used in the following simulation.

Simulation with TINA-TI™ software

It is always a good idea to simulate a proposed circuit to catch errors and verify that any assumptions are valid. Figures 5 and 6 show the result of a transient and frequency analysis performed with TINA-TI™ software. The simulation shows no unwanted offsets in the transient response with the output level shifted to $V_{OCM} = 2.5 \text{ V}$, and the AC frequency response shows that gain to the load is 1 V/V (0 dB) as desired.

To see the TINA-TI simulation of this circuit, go to <http://www.ti.com/lit/zip/slyt427> and click Open to view the WinZip directory online (or click Save to download the WinZip file for offline use). If you have the TINA-TI software installed, you can open the file THS4521_SE_to_DIFF_for_Cat5_video_drive.TSC to view the example. To download and install the free TINA-TI software, visit www.ti.com/tina-ti and click the Download button.

Figure 6. TINA-TI™ simulation results of example circuit



Conclusion

The THS4521 is an excellent choice for converting standard-definition (SD) or enhanced-definition (ED) video signals from single-ended to differential in single-supply applications. Table 1 shows the most stringent NTSC and PAL video-buffer requirements of SD and ED versus THS4521 specifications. The THS4521 meets them all.

The THS4521 is capable of working for this application with a supply as low as +2.5 V. This, along with its low quiescent current and power-down capability, makes it ideal for remote, portable, and battery-powered devices.

Table 1. NTSC/PAL SD/ED video-buffer requirements versus THS4521 specifications

SPECIFICATION	0.1-dB BANDWIDTH (MHz)	SLEW RATE (V/ μ s)
NTSC/PAL CVBS Video	6	38
NTSC/PAL ED Video	12	53
THS4521 ($V_S = 3.3$ V)	20	420

References

For more information related to this article, you can download an Acrobat® Reader® file at www.ti.com/lit/litnumber and replace “litnumber” with the **TI Lit. #** for the materials listed below.

Document Title	TI Lit. #
1. James Karki, “Fully-differential amplifiers,” Application Report.	sloa054d
2. Jim Karki, “Input impedance matching with fully differential amplifiers,” <i>Analog Applications Journal</i> (4Q 2008)	slyt310

Related Web sites

- amplifier.ti.com
- www.ti.com/sc/device/THS4521
- www.ti.com/sc/device/TMS320DM368
- TINA-TI example:
www.ti.com/lit/zip/slyt427
- To download TINA-TI software:
www.ti.com/tina-ti

TI Worldwide Technical Support

Internet

TI Semiconductor Product Information Center Home Page

support.ti.com

TI E2E™ Community Home Page

e2e.ti.com

Product Information Centers

Americas	Phone	+1(972) 644-5580
Brazil	Phone	0800-891-2616
Mexico	Phone	0800-670-7544
	Fax	+1(972) 927-6377
	Internet/Email	support.ti.com/sc/pic/americas.htm

Europe, Middle East, and Africa

Phone	
European Free Call	00800-ASK-TEXAS (00800 275 83927)
International	+49 (0) 8161 80 2121
Russian Support	+7 (4) 95 98 10 701

Note: The European Free Call (Toll Free) number is not active in all countries. If you have technical difficulty calling the free call number, please use the international number above.

Fax	+ (49) (0) 8161 80 2045
Internet	support.ti.com/sc/pic/euro.htm
Direct Email	asktexas@ti.com

Japan

Phone	Domestic	0120-92-3326
Fax	International	+81-3-3344-5317
	Domestic	0120-81-0036
Internet/Email	International	support.ti.com/sc/pic/japan.htm
	Domestic	www.tij.co.jp/pic

Asia

Phone	
International	+91-80-41381665
Domestic	<u>Toll-Free Number</u>
Note: Toll-free numbers do not support mobile and IP phones.	
Australia	1-800-999-084
China	800-820-8682
Hong Kong	800-96-5941
India	1-800-425-7888
Indonesia	001-803-8861-1006
Korea	080-551-2804
Malaysia	1-800-80-3973
New Zealand	0800-446-934
Philippines	1-800-765-7404
Singapore	800-886-1028
Taiwan	0800-006800
Thailand	001-800-886-0010
Fax	+8621-23073686
Email	tiasia@ti.com or ti-china@ti.com
Internet	support.ti.com/sc/pic/asia.htm

Important Notice: The products and services of Texas Instruments Incorporated and its subsidiaries described herein are sold subject to TI's standard terms and conditions of sale. Customers are advised to obtain the most current and complete information about TI products and services before placing orders. TI assumes no liability for applications assistance, customer's applications or product designs, software performance, or infringement of patents. The publication of information regarding any other company's products or services does not constitute TI's approval, warranty or endorsement thereof.

A122010

E2E is a trademark of Texas Instruments. Acrobat and Reader are registered trademarks of Adobe Systems Incorporated. All other trademarks are the property of their respective owners.

IMPORTANT NOTICE AND DISCLAIMER

TI PROVIDES TECHNICAL AND RELIABILITY DATA (INCLUDING DATA SHEETS), DESIGN RESOURCES (INCLUDING REFERENCE DESIGNS), APPLICATION OR OTHER DESIGN ADVICE, WEB TOOLS, SAFETY INFORMATION, AND OTHER RESOURCES "AS IS" AND WITH ALL FAULTS, AND DISCLAIMS ALL WARRANTIES, EXPRESS AND IMPLIED, INCLUDING WITHOUT LIMITATION ANY IMPLIED WARRANTIES OF MERCHANTABILITY, FITNESS FOR A PARTICULAR PURPOSE OR NON-INFRINGEMENT OF THIRD PARTY INTELLECTUAL PROPERTY RIGHTS.

These resources are intended for skilled developers designing with TI products. You are solely responsible for (1) selecting the appropriate TI products for your application, (2) designing, validating and testing your application, and (3) ensuring your application meets applicable standards, and any other safety, security, regulatory or other requirements.

These resources are subject to change without notice. TI grants you permission to use these resources only for development of an application that uses the TI products described in the resource. Other reproduction and display of these resources is prohibited. No license is granted to any other TI intellectual property right or to any third party intellectual property right. TI disclaims responsibility for, and you will fully indemnify TI and its representatives against, any claims, damages, costs, losses, and liabilities arising out of your use of these resources.

TI's products are provided subject to [TI's Terms of Sale](#) or other applicable terms available either on ti.com or provided in conjunction with such TI products. TI's provision of these resources does not expand or otherwise alter TI's applicable warranties or warranty disclaimers for TI products.

TI objects to and rejects any additional or different terms you may have proposed.

Mailing Address: Texas Instruments, Post Office Box 655303, Dallas, Texas 75265
Copyright © 2022, Texas Instruments Incorporated