

Application Brief

Fast Role Swap, Linear ORing with TPS25947 and LM73100 in USB Type-C systems



USB Type-C interface is quickly becoming one of the most popular ways of connecting electronic devices. From speakers to laptops, a single USB Type-C port can deliver power and offer high-speed data transfer. However, USB Type-C faces its own set of design challenges such as the process of Fast Role Swap (FRS). Its power-protection devices also need to qualify for the unique design specifications while protecting the port from overvoltage, short circuit, and reverse current. The TPS25947 efuse and LM73100 ideal diode can offer power protection while meeting the USB-Type C requirements for robust high power delivery, high-speed data transfer, and FRS.

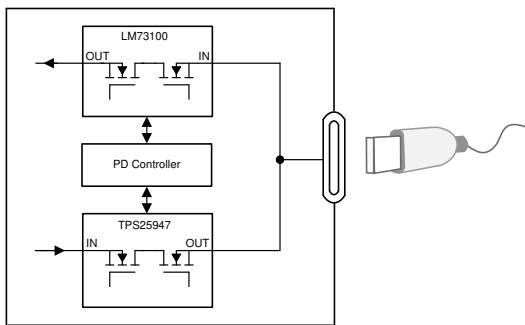


Figure 1. USB Type-C Power Protection Block

Figure 1-1 shows that two protection devices are needed per port to protect the system at all times especially during FRS.

Fast Role Swap (FRS) Explained

FRS describes the process when the device transitions from a power sink to a power source and vice versa. A laptop docking station, for example, requires robust FRS design and protection to ensure uninterrupted power supply to its accessories when external power disconnects. To further put FRS into perspective, imagine the setup in Figure 2-1: a laptop and its docking station connected through a single USB Type-C. The docking station initially charges the laptop and powers the other accessories through external power source. When the external power is removed, the laptop needs to quickly transition from a power sink to a power source to continuously supply

power for its connected accessories. There are two major challenges in FRS:

1. The switching time must be less than 150 μ s. Denoted by **tSrcFRSwap**, the time is defined to be from Vbus dropping below 5 V to the new source beginning to supply power at 5 V.
2. The Vbus voltage immediately before FRS is uncertain. With external power, the docking station charges the laptop at about 20 V. Once FRS begins, the system needs to promptly switch to the new source within the 5-V specification.

While meeting FRS requirements with fast charging and linear ORing, TPS25947 and LM73100 also feature adjustable overvoltage and undervoltage protection that ensures a smooth FRS within the 5-V specification.

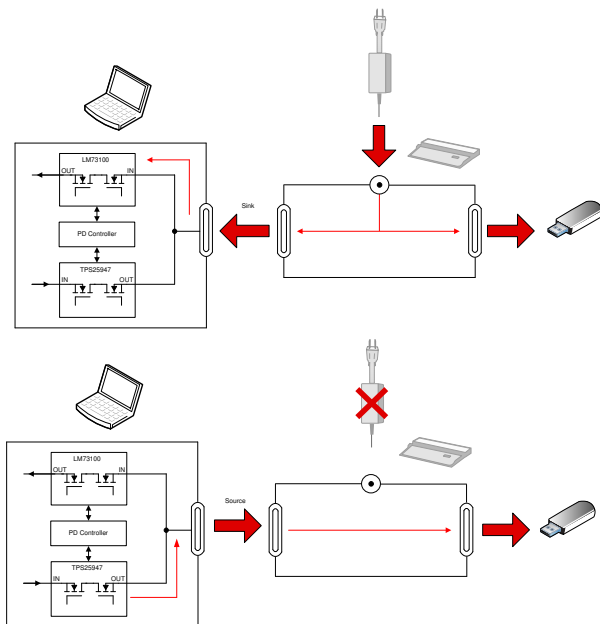


Figure 2. FRS for a Laptop Docking Station

In addition to voltage protections, TPS25947 uses fast charging to control inrush current to meet the FRS time requirement. Conventionally, inrush current control is implemented with adjustable slew rate control. By controlling the slew rate, efuse devices

can prevent the initial voltage spike caused by inrush current at startup. However, conventional adjustable slew rate control is too slow for the FRS time requirements. By integrating a variable frequency charge pump and internal control logic, TPS25947 is able to detect switching and quickly boost the frequency to rapidly charge the gate of the FET.

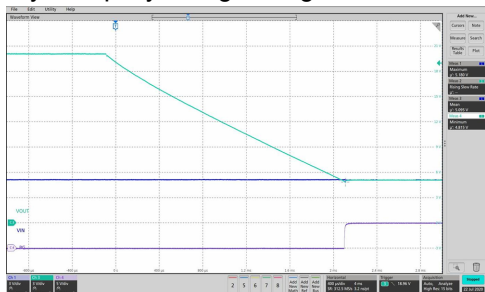


Figure 3. FRS Test

For this test in Figure 3-1, Vout was initially supplied at 20 V by an external source, indicating that the end device is initially a power sink. Once the external supply is disconnected, Vout quickly drops and the end device switches to a power source to match a constant 5-V output. As shown by Figure 3-1, TPS25947 is able to FRS in ~30 μs.

Linear ORing is True Reverse Current Blocking (RCB)

When multiple USB Type-C ports could supply or receive power, robust RCB is required to prevent current leakage between adjacent ports as shown in Figure 4-1. Without RCB, any buildup of reverse current leakage could cause permanent damage to the entire system. A typical slow ramp-up test can identify current leakage. If present, increasing the power on one port would charge up the adjacent port.

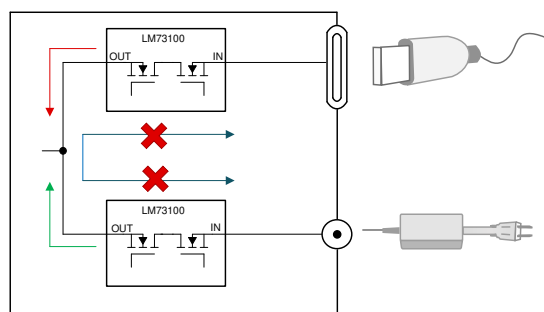


Figure 4. Adjacent USB Type-C Ports

RCB is implemented using back-to-back FETs. Shown in Figure 4-2, switching off the blocking FET allows the device to block reverse current from output to input.

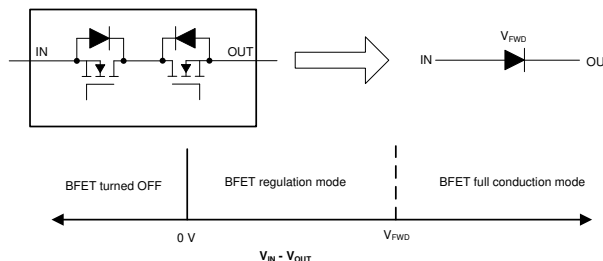


Figure 5. Reverse Current Blocking Response

Conventionally, a comparator controls the switching of the FET for RCB. Reverse current is allowed to build up as long as the current does not exceed the comparator threshold. Linear ORing provides true RCB by adjusting the resistance of the blocking FET to maintain a constant voltage across it. If forward current is increasing, the resistance of the blocking FET is reduced. If forward current is decreasing, the resistance of the blocking FET is increased, eventually shutting off the blocking FET before reverse conduction occurs. Linear ORing forces the device to go from forward conduction to a 0 point without allowing reverse conduction to ever occur.

With fast charging and linear ORing, TPS25947 and LM73100 not only allow fast switching during FRS but also provide true reverse current blocking and other power protection functions. As USB-C devices become increasingly popular, power protection for these devices must offer reliable features without sacrificing performance in high-power delivery and high-speed data transfer.

Table 5-1. Device Recommendations

| Device | Description | Package |
|----------|--|------------------|
| TPS25947 | 2.7 - 23 V, 5.5 A, 28 mΩ Reverse Current Blocking eFuse with Input Reverse Polarity Protection | QFN(10) 2 x 2 mm |
| LM73100 | 2.7 - 23 V, 5.5 A, 28 mΩ Integrated Ideal Diode with Input Reverse Polarity and Overvoltage Protection | QFN(10) 2 x 2 mm |

IMPORTANT NOTICE AND DISCLAIMER

TI PROVIDES TECHNICAL AND RELIABILITY DATA (INCLUDING DATA SHEETS), DESIGN RESOURCES (INCLUDING REFERENCE DESIGNS), APPLICATION OR OTHER DESIGN ADVICE, WEB TOOLS, SAFETY INFORMATION, AND OTHER RESOURCES "AS IS" AND WITH ALL FAULTS, AND DISCLAIMS ALL WARRANTIES, EXPRESS AND IMPLIED, INCLUDING WITHOUT LIMITATION ANY IMPLIED WARRANTIES OF MERCHANTABILITY, FITNESS FOR A PARTICULAR PURPOSE OR NON-INFRINGEMENT OF THIRD PARTY INTELLECTUAL PROPERTY RIGHTS.

These resources are intended for skilled developers designing with TI products. You are solely responsible for (1) selecting the appropriate TI products for your application, (2) designing, validating and testing your application, and (3) ensuring your application meets applicable standards, and any other safety, security, regulatory or other requirements.

These resources are subject to change without notice. TI grants you permission to use these resources only for development of an application that uses the TI products described in the resource. Other reproduction and display of these resources is prohibited. No license is granted to any other TI intellectual property right or to any third party intellectual property right. TI disclaims responsibility for, and you will fully indemnify TI and its representatives against, any claims, damages, costs, losses, and liabilities arising out of your use of these resources.

TI's products are provided subject to [TI's Terms of Sale](#) or other applicable terms available either on ti.com or provided in conjunction with such TI products. TI's provision of these resources does not expand or otherwise alter TI's applicable warranties or warranty disclaimers for TI products.

TI objects to and rejects any additional or different terms you may have proposed.

Mailing Address: Texas Instruments, Post Office Box 655303, Dallas, Texas 75265
Copyright © 2022, Texas Instruments Incorporated