

Voltage Margining Using the TPS62130

Darwin Fernandez

PMP- Portable Power

ABSTRACT

Voltage margining is a means of verifying the robustness of a product by intentionally adjusting its supply voltages to their limits and then evaluating the product's performance to ensure that it still meets its specifications at the power supply's extremes. The TPS62130 synchronous step-down dc-dc converter features an integrated output voltage scaling function that allows for +5% margining by use of its DEF pin. This application report demonstrates a simple circuit that provides –5% margining to complete a $\pm 5\%$ margining function. This permits testing for high- and low-voltage margining for product evaluation. This application circuit can be used with any of the TPS62130, TPS62140, and TPS62150 devices.

1 Introduction

Voltage margining is the process of dynamically testing a load circuit over its supply voltage range. This evaluates the load circuit's ability to tolerate changes in the power supply voltages that may occur over time and temperature. The testing is typically performed by forcing the power supply to $\pm 5\%$ of its nominal output voltage and then ensuring that the end-equipment still passes its final acceptance test.

2 TPS62130 DEF Pin Operation

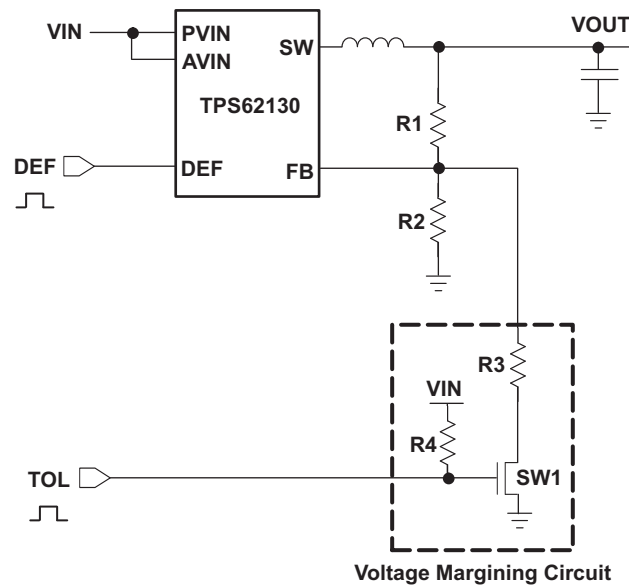
The TPS62130 is a high-frequency, synchronous, step-down, dc-dc converter optimized for high power density applications. A special feature of the TPS62130 is its integrated output voltage scaling function that allows for +5% margining by use of the DEF pin as described in [Table 1](#). When the DEF pin is pulled low, the power supply's output voltage is regulated to its nominal value. When the DEF pin is pulled high, the power supply's output voltage increases to its nominal voltage +5%.

Table 1. DEF Pin Functionality

Input	Output Voltage
Low (0)	Nominal
High (1)	Nominal +5%

3 Using the TPS62130 for Voltage Margining

A simple circuit is added to provide a –5% voltage margining function. Adding a series resistor and switch in parallel with the bottom FB pin resistor, R2, allows the output voltage to be increased when the added resistor, R3, is switched into the FB divider. [Figure 1](#) shows the TPS62130EVM-505 with the added -5% voltage margining circuit (R3, R4, and SW1).


Figure 1. TPS62130 With –5% Voltage Margining Circuit

Initially, R1 and R2 are set to yield an output voltage equal to the nominal voltage –5%. As a result, when SW1 is opened, the output voltage equals the nominal voltage –5%. When SW1 is closed, R2 and R3 are in parallel. This changes the effective resistance of the feedback network so that the output voltage equals its nominal voltage. When the DEF pin is set to a logic high, the output voltage increases to its nominal voltage +5%. Thus, the TOL and DEF signals combine to create ±5% margining, as shown in [Table 2](#).

Table 2. Voltage Margining Using the DEF and TOL Signals

DEF	TOL	Output Voltage
0	0	Nominal –5%
0	1	Nominal
1	0	Nominal
1	1	Nominal +5%

During normal operation, the default operation of this circuit sets the output voltage to its nominal value with DEF low and TOL high. To achieve this configuration simply, both DEF and TOL may be left floating with DEF pulled down by the internal resistor on that pin and TOL pulled high by R4.

4 Design Considerations

Resistor R2 is chosen, as described in the TPS62130 data sheet ([SLVSAG7](#)), and must not exceed approximately 400 kΩ.

Resistor R1 is chosen using [Equation 1](#) under the condition that R1 + R2 does not exceed 2 MΩ:

$$R1 = R2 \left(\frac{V_{\text{nominal}} - 5\%}{0.8} - 1 \right) \quad (1)$$

If R1 + R2 exceeds 2 MΩ, reduce the value of R2 and repeat [Equation 1](#). Resistor R3 is chosen using [Equation 2](#).

$$R3 = \frac{R' \times R2}{R2 - R'} \quad \text{where} \quad R' = \frac{R1}{\frac{V_{\text{nominal}}}{0.8} - 1} \quad (2)$$

Resistor R4 is a pullup resistor. Its value is not critical to the circuit's operation. For simplicity, its value is chosen to be the same as R3.

Switch SW1 is an NMOS transistor and must have a gate-to-source rating in excess of the maximum input voltage and have a drain-to-source rating exceeding the output voltage. If an NMOS with a lower gate to source rating is desired, a resistor must be added from gate to ground to reduce the voltage on the gate.

5 Design Example

The following margining conditions were implemented using the TPS62130EVM-505.

- Vout nominal = 3.3 V
- Vout – 5% = 3.135 V
- Vout + 5% = 3.465 V

Using the design equations in the previous section, R1, R2, R3, and R4 are calculated. Table 3 shows the calculated values and the actual resistor values implemented in the design.

Table 3. Resistor Values Calculated and Actual

Resistor	Calculated (kΩ)	Actual (kΩ)
R1	219	215
R2	75	75
R3	832	825
R4	832	825

An NMOS switch that satisfies this application is the 2SK3019.

Figure 2 shows resulting waveforms that the voltage margining circuit produces. Initially, the DEF and TOL signals are low, making the output voltage 3.135 V (nominal – 5%). When the TOL signal is high and DEF pin low, the output voltage is 3.3 V (nominal). Then, when the TOL signal and DEF pins go high, the output voltage is 3.465 V (nominal +5%). Lastly, DEF is high and TOL is low, resulting in the nominal output voltage again.

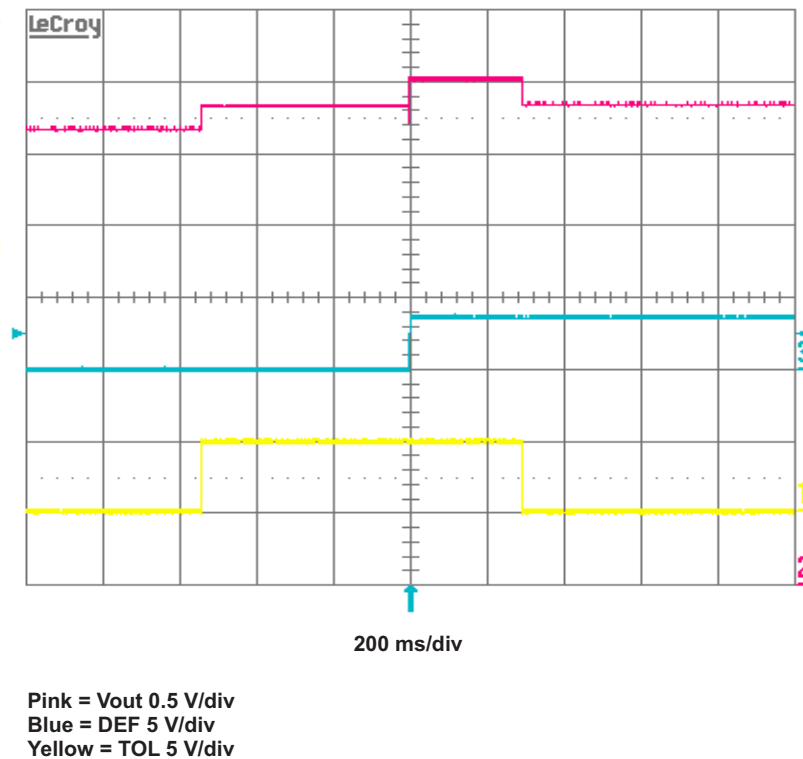


Figure 2. TPS62130 Voltage Margining Using the DEF and TOL Signals

A 100-mA load was added during this test to pull down the output voltage when the voltage was lowered in the last step. Because the TPS62130 does not actively source energy from the output back to the input, the output voltage only decreases due to the load and/or leakage paths on the output. Without a load, the output voltage might decrease slower.

6 Conclusion

This application report demonstrates a simple circuit that allows voltage margining on the output of the power supply using the DEF function of the TPS62130 and an additional TOL signal. This allows evaluation of product performance at the limits of the power supply voltage.

IMPORTANT NOTICE

Texas Instruments Incorporated and its subsidiaries (TI) reserve the right to make corrections, modifications, enhancements, improvements, and other changes to its products and services at any time and to discontinue any product or service without notice. Customers should obtain the latest relevant information before placing orders and should verify that such information is current and complete. All products are sold subject to TI's terms and conditions of sale supplied at the time of order acknowledgment.

TI warrants performance of its hardware products to the specifications applicable at the time of sale in accordance with TI's standard warranty. Testing and other quality control techniques are used to the extent TI deems necessary to support this warranty. Except where mandated by government requirements, testing of all parameters of each product is not necessarily performed.

TI assumes no liability for applications assistance or customer product design. Customers are responsible for their products and applications using TI components. To minimize the risks associated with customer products and applications, customers should provide adequate design and operating safeguards.

TI does not warrant or represent that any license, either express or implied, is granted under any TI patent right, copyright, mask work right, or other TI intellectual property right relating to any combination, machine, or process in which TI products or services are used. Information published by TI regarding third-party products or services does not constitute a license from TI to use such products or services or a warranty or endorsement thereof. Use of such information may require a license from a third party under the patents or other intellectual property of the third party, or a license from TI under the patents or other intellectual property of TI.

Reproduction of TI information in TI data books or data sheets is permissible only if reproduction is without alteration and is accompanied by all associated warranties, conditions, limitations, and notices. Reproduction of this information with alteration is an unfair and deceptive business practice. TI is not responsible or liable for such altered documentation. Information of third parties may be subject to additional restrictions.

Resale of TI products or services with statements different from or beyond the parameters stated by TI for that product or service voids all express and any implied warranties for the associated TI product or service and is an unfair and deceptive business practice. TI is not responsible or liable for any such statements.

TI products are not authorized for use in safety-critical applications (such as life support) where a failure of the TI product would reasonably be expected to cause severe personal injury or death, unless officers of the parties have executed an agreement specifically governing such use. Buyers represent that they have all necessary expertise in the safety and regulatory ramifications of their applications, and acknowledge and agree that they are solely responsible for all legal, regulatory and safety-related requirements concerning their products and any use of TI products in such safety-critical applications, notwithstanding any applications-related information or support that may be provided by TI. Further, Buyers must fully indemnify TI and its representatives against any damages arising out of the use of TI products in such safety-critical applications.

TI products are neither designed nor intended for use in military/aerospace applications or environments unless the TI products are specifically designated by TI as military-grade or "enhanced plastic." Only products designated by TI as military-grade meet military specifications. Buyers acknowledge and agree that any such use of TI products which TI has not designated as military-grade is solely at the Buyer's risk, and that they are solely responsible for compliance with all legal and regulatory requirements in connection with such use.

TI products are neither designed nor intended for use in automotive applications or environments unless the specific TI products are designated by TI as compliant with ISO/TS 16949 requirements. Buyers acknowledge and agree that, if they use any non-designated products in automotive applications, TI will not be responsible for any failure to meet such requirements.

Following are URLs where you can obtain information on other Texas Instruments products and application solutions:

Products

Audio	www.ti.com/audio
Amplifiers	amplifier.ti.com
Data Converters	dataconverter.ti.com
DLP® Products	www.dlp.com
DSP	dsp.ti.com
Clocks and Timers	www.ti.com/clocks
Interface	interface.ti.com
Logic	logic.ti.com
Power Mgmt	power.ti.com
Microcontrollers	microcontroller.ti.com
RFID	www.ti-rfid.com
OMAP Mobile Processors	www.ti.com/omap
Wireless Connectivity	www.ti.com/wirelessconnectivity

Applications

Communications and Telecom	www.ti.com/communications
Computers and Peripherals	www.ti.com/computers
Consumer Electronics	www.ti.com/consumer-apps
Energy and Lighting	www.ti.com/energy
Industrial	www.ti.com/industrial
Medical	www.ti.com/medical
Security	www.ti.com/security
Space, Avionics and Defense	www.ti.com/space-avionics-defense
Transportation and Automotive	www.ti.com/automotive
Video and Imaging	www.ti.com/video

TI E2E Community Home Page

e2e.ti.com

Mailing Address: Texas Instruments, Post Office Box 655303, Dallas, Texas 75265
Copyright © 2011, Texas Instruments Incorporated