

Creating an Inverting Power Supply Using a Synchronous Step-Down Regulator

Sureena Gupta

PMP-Power Management Products

ABSTRACT

Some applications require a high current negative output voltage to be generated from a positive input voltage. Applications often requiring a negative output voltage are medical ultrasound scanners, semiconductor test equipment, RADAR, oscilloscopes (DSO) and massive MIMO (active antenna systems). This application report presents a solution for creating an inverting power supply using a synchronous buck converter. The purpose of this application report is to discuss how to create a negative power supply using a switching regulator (buck).

The solution schematic is given along with component selection criteria and equations, so that designers can appropriately scale the solution to their own requirements. The document also includes a sample design implementation along with captured waveforms.

Contents

1	Description of Application	3
2	Design Restrictions	3
3	Solution and Part Used	3
4	Design Restrictions	5
5	Design Procedures	5
5.1	Output Voltage	5
5.2	Input Voltage Range.....	6
5.3	Duty Cycle	6
5.4	Output Current	6
5.5	Operating Frequency	6
5.6	Inductor.....	6
5.7	Output Capacitor	7
5.8	Power Dissipation in Package	7
5.9	Input Capacitors.....	7
5.10	Bypass Capacitor	8
5.11	Slow-Start Time	8
5.12	Frequency Set Resistor	8
5.13	Frequency Response of the Inverting Regulator	8
5.14	Synchronizing to an External Clock	9
6	Evaluation Results	10
7	References	13

List of Figures

1	Buck Topology	3
2	Inverting Buck-Boost Topology	4
3	Inverting Power Supply Schematic.....	5
4	Efficiency Curve	10
5	Load Regulation	10
6	Power Loss vs Load Current	11
7	Bode Plot (BW = 3.2 kHz, PM = 59.4°) ($V_{IN} = 5\text{ V}$, $V_{OUT} = -5\text{ V}$, $I_{OUT} = 2\text{ A}$)	11

8	Bode Plot (BW = 4.9 kHz, PM = 72.5°) ($V_{IN} = 5\text{ V}$, $V_{OUT} = -5\text{ V}$, $I_{OUT} = 0\text{ A}$)	12
9	Switch Node ($V_{IN} = 5\text{ V}$, $V_{OUT} = -5\text{ V}$, $I_{OUT} = 0\text{ A}$)	12
10	Switch Node Rising ($V_{IN} = 5\text{ V}$, $V_{OUT} = -5\text{ V}$, $I_{OUT} = 0\text{ A}$)	13

List of Tables

1	Electrical Characteristics for the Inverting Power Supply	3
2	Inverting Power Supply Requirements	5
3	Electrical Characteristics for the Inverting Power Supply	5

Trademarks

SWIFT is a trademark of Texas Instruments.

1 Description of Application

This application report discusses creating an inverting power supply using a synchronous step-down regulator. The design generates a negative voltage from a positive input voltage. Applications that often require an inverted output voltage from a positive input voltage are those with amplifiers and data converters.

Using a synchronous topology has certain advantages over a nonsynchronous topology like higher efficiency at low voltages. The synchronous topology stays in continuous conduction mode (CCM) even at very low currents as opposed to a nonsynchronous topology which runs into discontinuous conduction mode (DCM) when the current through the inductor is reduced to zero. The disadvantages of nonsynchronous topology in DCM are that it has a slow transient response, it needs slower compensation for the DCM shift, and it has additional component on the EVM board. These disadvantages can be eliminated by using a synchronous topology.

2 Design Restrictions

The design restrictions for the application are listed in [Table 1](#). To power up the board, the input voltage needs to be higher than the minimum required voltage for the device. The maximum allowable output voltage is limited by the maximum V_{dev} (voltage across the device, between the VIN pin and GND pin on the IC) minus the maximum input voltage. Because the MOSFETs are internal to the IC, the maximum load current cannot be more than the maximum current through the internal switches.

Table 1. Electrical Characteristics for the Inverting Power Supply

INVERTING POWER SUPPLY RESTRICTIONS		SYNCHRONOUS DEVICE USED	TPS54620
V_{in} (min)	>	V_{dev} (min)	(4.5 V)
V_{in} (max) + V_{out}	<	V_{dev} (max)	(17 V)
I_{out} (max)	<	I_{switch} (max)	(7 A)

3 Solution and Part Used

To convert a synchronous buck regulator (as shown in [Figure 1](#)) into a buck boost topology (as shown in [Figure 2](#)), the inductor and output capacitor are connected just like in a buck converter, but the ground and output voltage test points are reversed in order to achieve a negative output voltage.

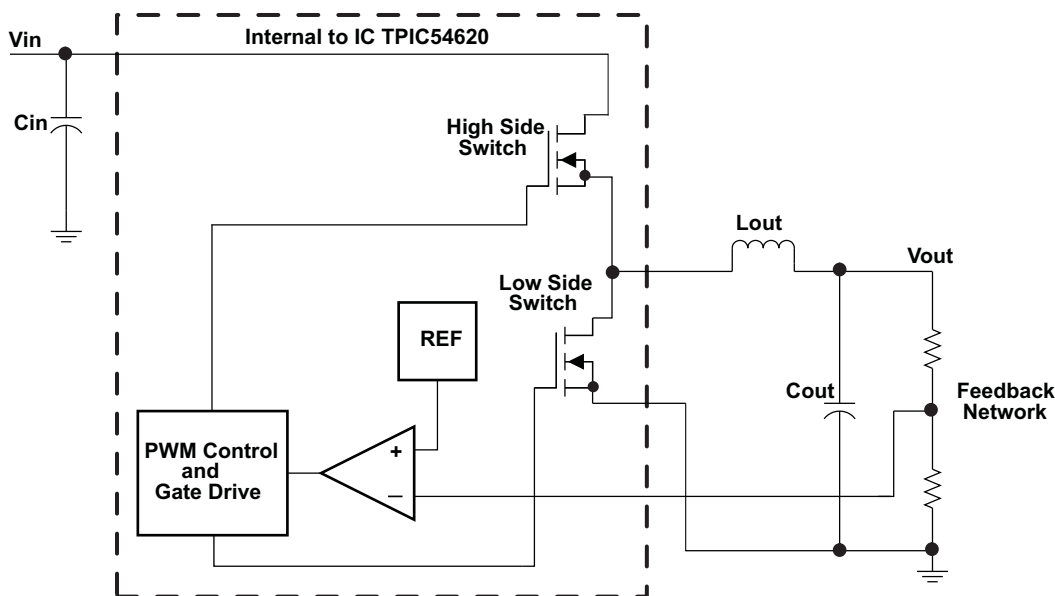


Figure 1. Buck Topology

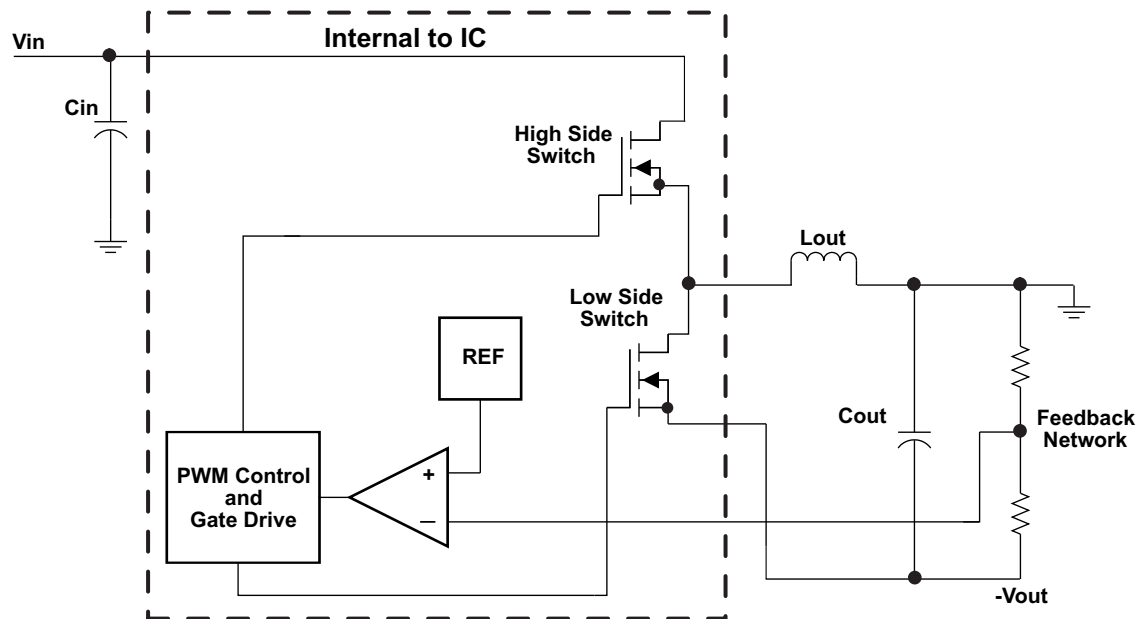


Figure 2. Inverting Buck-Boost Topology

The sample design to create a synchronous inverting power supply is presented in the next section using the TPS54620, which is a 4.5-V to 17-V input, 6-A synchronous step-down SWIFT™ converter. The sample device is used to illustrate the concept, but any buck regulator can be configured this way provided it matches the requirements previously listed.

The electrical requirements of the sample design are listed in [Table 2](#).

Table 2. Inverting Power Supply Requirements

VARIABLE	DESCRIPTION	RANGE / VALUE
V _{in}	Input Voltage	5 V nominal 4.5 V to 5.5 V
V _{out}	Output Voltage	-5 V
V _{out}	Output Voltage Ripple	< 0.5%
I _{out}	Output Current	2 A
f _{sw}	Switching Frequency	300 kHz

4 Design Restrictions

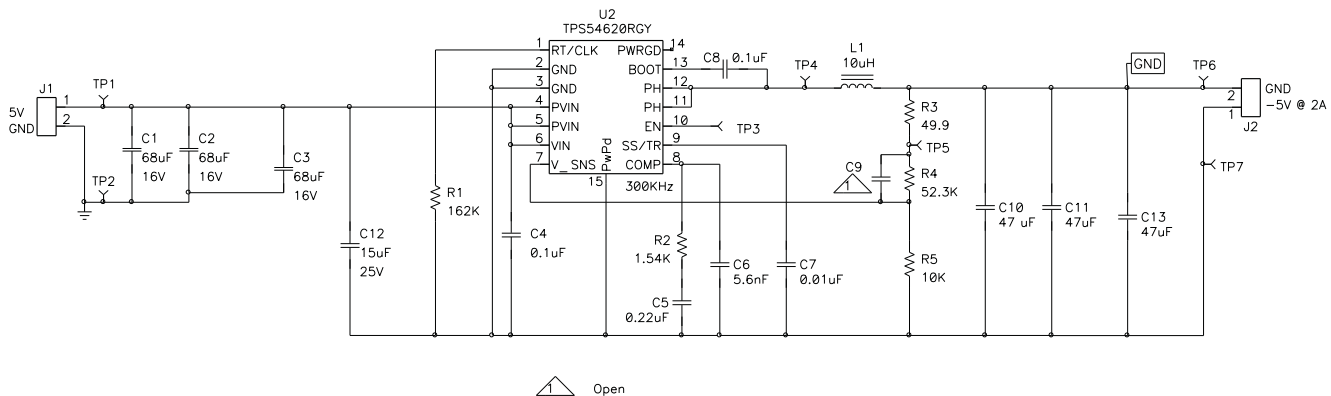
The design restrictions for the application are listed in Table 3. To power up the board, the input voltage needs to be higher than the minimum required voltage for the device. The maximum allowable output voltage is limited by the maximum V_{dev} (voltage across the device, between the VIN pin and GND pin on the IC) minus the maximum input voltage. Because the MOSFETs are internal to the IC, the maximum load current cannot be more than the maximum current through the internal switches.

Table 3. Electrical Characteristics for the Inverting Power Supply

Inverting Power Supply Restrictions		Synchronous Device Used	TPS54620
V _{in} (min)	>	V _{dev} (min)	(4.5 V)
V _{in} (max) + V _{out}	<	V _{dev} (max)	(17 V)
I _{out} (max)	<	I _{switch} (max)	(7 A)

5 Design Procedures

This section enlists the procedure to design an inverting power supply using the TPS54620 (synchronous step-down SWIFT™ converter). The schematic for the design is presented in Figure 3.


Figure 3. Inverting Power Supply Schematic

5.1 Output Voltage

The difference in the maximum input voltage, V_{in} (max), and the output voltage, V_O, must not exceed the maximum operating device voltage of the regulator. For the TPS54620, the maximum operating device voltage, V_{dev} (max), is 17 V.

$$V_{in}(\max) \geq V_{dev}(\max) + V_{out} \quad (1)$$

$$R4 = R5 \times \left(-\frac{V_{out}}{V_{ref}} - 1 \right) \quad (2)$$

Because V_{out} for the sample design is -5 V and using [Equation 1](#), the maximum input voltage for the power supply can be as high as 12 V , easily supporting the 5.5-V maximum input requirement in [Table 2](#). Use [Equation 2](#) to determine R_4 for the desired output voltage, set R_5 equal to $10\text{ k}\Omega$ and V_{ref} to 0.8 V for the TPS54620. R_4 equals $52.5\text{ k}\Omega$ ($52.3\text{-k}\Omega$ standard value).

5.2 Input Voltage Range

The operating input voltage, $V_{in}(\text{min})$ of the power supply must be greater than the minimum device voltage, $V_{dev}(\text{min})$. For TPS54620, the $V_{dev}(\text{min})$ is 4.5 V . The minimum input voltage requirement for the power supply is 4.5 V , thus, satisfying [Equation 3](#).

$$V_{in}(\text{min}) \geq V_{dev}(\text{min}) \quad (3)$$

5.3 Duty Cycle

The ideal duty cycle for the inverting power supply is shown in [Equation 4](#), neglecting the losses of the power switch and inductor. The output voltage, V_{out} , is negative and the input voltage, V_{in} , is positive, yielding a positive result for [Equation 4](#).

$$D = \frac{-V_{out}}{V_{in} - V_{out}} \quad (4)$$

The maximum duty cycle, D_{max} , is calculated by using the minimum input voltage, $V_{in}(\text{min})$, as substituted for input voltage, V_{in} in [Equation 4](#). Assuming 4.5 V for $V_{in}(\text{min})$ and a V_{out} of -5 V , the maximum duty cycle, D_{max} , is 0.53 . Similarly, D_{min} is evaluated by using maximum input voltage, $V_{in}(\text{max})$, and is calculated to be 0.48 .

5.4 Output Current

To estimate whether the selected switching regulator is capable of delivering the output current, use [Equation 5](#). The user must know the device's (TPS54620) minimum current limit, $I_{cl}(\text{min})$ (7 A), maximum duty cycle, D_{max} , and estimate the inductor ripple current value, $I_{L\text{ripple}}$. Using [Equation 5](#), the maximum allowable output current for the design is 3.13 A , which is higher than the needed 2 A .

$$I_{out}(\text{max}) \leq \left(I_{cl}(\text{min}) - \frac{I_{L\text{ripple}}}{2} \right) \times (1 - D_{max}) \quad (5)$$

5.5 Operating Frequency

The first step is to decide on a switching frequency for the regulator because of the tradeoff between higher and lower switching frequencies. Higher switching frequencies may produce a smaller solution size using lower valued inductors and smaller output capacitors, compared to a power supply than switches at a lower frequency. However, higher switching frequency causes extra switching losses, which hurt the converter's efficiency and thermal performance.

In this design, a moderate switching frequency of 300 kHz is selected to achieve both a small solution size and a high-efficiency operation.

5.6 Inductor

To determine the inductor value, calculate the average inductor current, $I_{L\text{avg}}$, at the maximum output current and minimum input voltage using [Equation 6](#). Assuming maximum output current, I_{out} as 2 A and using maximum duty cycle D_{max} , $I_{L\text{avg}}$ is 4.22 A .

The inductor value is calculated, [Equation 7](#), using a ripple current that is 25% of the average inductor current. Using the D_{min} to calculate the minimum inductance value gives the largest inductance. Assuming $V_{in}(\text{max})$ of 5.5 V , I_{out} of 2 A , and a f_{sw} of 300 kHz , the L_o is calculated as $8.22\text{ }\mu\text{H}$. The nearest standard inductor of $10\text{ }\mu\text{H}$ is used for the inductor. The inductor saturation current must be greater than the 4.62 A of peak current calculated in [Equation 8](#). The inductor rms current must be greater than 4.01 A calculated in [Equation 9](#).

$$I_{Lavg} = \frac{I_{out}}{1 - D_{max}} \quad (6)$$

$$L_o = \frac{V_{in(max)} \times D_{min}}{(f_{sw} \times I_{Lavg} \times 0.25)} \quad (7)$$

$$I_{Lpeak} = \frac{I_{out}}{1 - D_{max}} + \frac{V_{in(min)} \times D_{max}}{2 \times f_{sw} \times L_o} \quad (8)$$

$$I_{Lrms} = \sqrt{\left(\frac{I_{out}}{1 - D}\right)^2 + \frac{1}{12} \times \left(\frac{V_{in} \times D}{f_{sw} \times L_o}\right)^2} \quad (9)$$

5.7 Output Capacitor

The output capacitor must supply the current when the high-side switch is on. Use the minimum input voltage to calculate the output capacitance needed. This is when the duty cycle and the peak-to-peak current in the output capacitor are the maximum. Using the 0.5% voltage ripple specification, V_{out} , and Equation 10, C_o (min) is 140 μ F. Assuming the 0.5% voltage ripple and maximum duty cycle, the R_c , equivalent series resistance must be less than 5.41 m Ω , using Equation 11. The rms current for the output capacitor is 2.11 A using Equation 12. Three 47 μ F, 10 V X7R in parallel are used for the output capacitor because of the low ESR and size. The output capacitor is derated by 15% because of the dc voltage.

$$C_o \text{ (min)} \geq \frac{I_{out(max)} \times D_{max}}{f_{sw} \times \Delta V_{out}} \quad (10)$$

$$R_c \leq \frac{\Delta V_{out}}{\frac{I_{out}}{1 - D_{max}} + \frac{V_{in(min)} \times D_{max}}{2 \times f_{sw} \times L_o}} \quad (11)$$

$$I_{corms} = I_{out} \text{ (max)} \times \sqrt{\frac{D_{max}}{1 - D_{max}}} \quad (12)$$

5.8 Power Dissipation in Package

The power dissipation in the package is dominated by the conduction losses and switching losses of the power switch and must not exceed the limitations of the package. The conduction and switching losses are calculated using Equation 13. The conduction losses are a function of the duty cycle, D , inductor rms current, I_{Lrms} , and on resistance, R_{hs} and R_{ls} . The switching losses are a function of the turnon, t_r , and turnoff, t_f , times, switching frequency, output current, and input and output voltage. P_{device} is 0.6613 W assuming a t_r and t_f of 25 ns.

$$P_{device} = D \times I_{Lrms}^2 \times R_{hs} + (1 - D) \times I_{Lrms}^2 \times R_{ls} + \frac{1}{2} \times (V_{in} - V_{out}) \times \left(\frac{I_{out}}{1 - D}\right) \times (t_r + t_f) \times f_{sw} \quad (13)$$

5.9 Input Capacitors

The input capacitors between the PVIN pins and system ground are used to limit the voltage ripple of the input supply.

Equation 14 to Equation 17 are used to estimate the capacitance, maximum ESR, and current rating for the input capacitor, C_i . Using Equation 14, the estimated average input current is 2.22 A. Using Equation 15 and Equation 16, the minimum required input capacitance is 165 μ F and the maximum ESR is 20 m Ω . Using Equation 17, the input capacitor needs at least 2.32-A current rating. Three 68 μ F, 10 V X7R in parallel are used for the output capacitor because of the low ESR and size.

$$I_{in} \text{ (avg)} = \frac{I_{out} \times D_{max}}{(1 - D_{max})} \quad (14)$$

$$C_i = \frac{I_{in} \text{ (avg)}}{f_{sw} \times 0.01 \times V_{in} \text{ (min)}} \quad (15)$$

$$ESR_{ci} \leq \frac{0.01 \times V_{in}(\min)}{I_{in}(\text{avg})} \quad (16)$$

$$I_{cirms} = \sqrt{\left((L_{peak} - I_{in}(\text{avg}))^2 + \frac{\left(\frac{V_{in}(\min) \times D_{max}}{L_o \times f_{sw}} \right)^2}{12} \right) \times D_{max} + I_{in}(\text{avg})^2 \times (1 - D_{max})} \quad (17)$$

5.10 Bypass Capacitor

The TPS54620 needs a tightly coupled, ceramic bypass capacitor, connected to the VIN and GND pins of the device. Because the device GND is the power supply output voltage, the voltage rating of the capacitor must be greater than the difference in the maximum input and output voltage of the power supply.

A minimum of 4.7 μF from the VIN pin to GND is recommended for the TPS54620, Cbp is chosen as 15 μF . Another 0.1- μF capacitor has been added as a bypass capacitor to clear high-frequency noise. This capacitor creates an AC path from the input voltage to the output voltage. As a result, transients on the input voltage rail can potentially also appear on the output voltage. For example, when the input voltage ramps up. To minimize this effect, Cbp should be kept relatively small, near the minimum recommended capacitance.

5.11 Slow-Start Time

Placing a small ceramic capacitor on the SS/TR to the chip GND (that is, system Vout) adjusts the slow-start time on the TPS54620. The slow-start capacitor is calculated using Equation 18. The equation assumes a 2.3- μA pullup sourcing current and 10% to 90% measurement for time Tss. Using Equation 18, C_{SS} is evaluated as 10 pF.

$$C_{SS} = \frac{t_{ss} \times 2.3 \times 10^{-6}}{0.8} \quad (18)$$

5.12 Frequency Set Resistor

The switching frequency is set with a resistor, RT, from the RT/CLK pin to the GND of the TPS54620 device. Using Equation 19, the frequency set resistor is 161 k Ω (162-k Ω standard value).

$$RT(\text{k}\Omega) = \frac{48000}{f_{sw}(\text{kHz})^{0.997}} - 2 \quad (19)$$

5.13 Frequency Response of the Inverting Regulator

Using a buck regulator as an inverting buck-boost regulator changes the feedback loop characteristic. So, a different design method is needed. The inverting power supply transfer function has two zeroes and a pole. Equation 20 is a simplified transfer function of an inverting power supply. The ESR zero, f_{z1} , is the same as in a buck regulator, Equation 21, and is a function of the output capacitor and its ESR. The other zero is a right half plane zero, f_{z2} . The frequency response of the f_{z2} results in an increasing gain and a decreasing phase. The f_{z2} frequency is a function of the duty cycle, output current, and the inductor. Equation 22 calculates the minimum frequency of the f_{z2} which is used to determine the crossover frequency. The dominant pole, f_{p1} , is a function of the load current, output capacitor, and duty cycle, see Equation 23. K_{bb} is the dc gain and is used to calculate the frequency compensation components. The gm_{ps} variable is the transconductance of the power stage, which is 16 A/V for the TPS54620.

The f_{z1} is estimated to be 265 kHz. The output capacitor is derated by 15% because of the dc voltage, and the ESR is assumed to be . The f_{z2} is estimated to be 16.93 kHz. Assuming resistance of the inductor, R_{dc} is 19 m Ω . The f_{p1} is estimated to be 796 Hz assuming a nominal duty cycle. K_{bb} is calculated as 13.33 V/V using Equation 24, assuming nominal input voltage and gm_{ps} as 16 A/V .

$$T(s) = K_{bb} \times \frac{\left(1 + \frac{s}{2 \times \pi \times f_{z1}}\right) \times \left(1 + \frac{s}{2 \times \pi \times f_{z2}}\right)}{\left(1 + \frac{s}{2 \times \pi \times f_{p1}}\right)} \quad (20)$$

$$f_{z1} = \frac{1}{(R_c \times C_o \times 2 \times \pi)} \quad (21)$$

$$f_{z2} = \frac{(1 - D_{max})^2 \times \left(\frac{-V_{out}}{I_{out}}\right) + R_{dcx} \left((1 - D_{max}) - D_{max}\right)}{D_{max} \times L_o \times 2 \times \pi} \quad (22)$$

$$f_{p1} = \frac{1 + D}{\left(\left(\frac{-V_{out}}{I_{out}}\right) \times C_o \times 2 \times \pi\right)} \quad (23)$$

$$K_{bb} = \frac{V_{in} \times \left(\frac{-V_{out}}{I_{out}}\right)}{(V_{in} + 2 \times (-V_{out}))} \times g_{mps} \quad (24)$$

The crossover of the power supply should be set between the f_{p1} and $1/3$ of f_{z2} frequencies. It is recommended to start with the crossover frequency, f_{co} , given by [Equation 25](#). The f_{co} is estimated to be 3.67 kHz.

$$f_{co} = (f_{p1} \times f_{z2})^{0.5} \quad (25)$$

The compensation resistor, R_{comp} , needed to set the compensation gain at the f_{co} frequency is calculated using [Equation 26](#). The V_{ref} is 0.8 V and g_{mea} is $1300 \mu A/V$ for the TPS54620.

$$R_{comp} = \left(\frac{f_{co}}{K_{bb} \times f_{p1}}\right) \times \left(\frac{-V_{out}}{V_{ref} \times g_{mea}}\right) \quad (26)$$

R_{comp} is calculated using [Equation 26](#) and is equal to 1.66 k Ω . Use the nearest standard value of 1.54 k Ω . The compensation zero is set to $1/2$ of the dominant pole, f_{p1} . To calculate the compensation zero capacitor, C_{zero} , use [Equation 27](#). [Equation 27](#) gives 0.26 μF ; use the next larger standard value which is 0.22 μF . The compensation pole is set to equal the RHP zero, f_{z2} . Use [Equation 28](#), to calculate the frequency compensation pole, C_{pole} , which gives 6.10 nF. The next standard value is 5.6 nF.

$$C_{zero} = \frac{1}{\left(\frac{f_{p1}}{2}\right) \times 2\pi \times R_{comp}} \quad (27)$$

$$C_{pole} = \frac{1}{f_{z2} \times 2\pi \times R_{comp}} \quad (28)$$

5.14 Synchronizing to an External Clock

The TPS54620 has a CLK pin that can be used to synchronize the power supply switching frequency to an external system clock. A level shift circuit needs to be used to translate a system ground reference clock signal to the device's ground.

6 Evaluation Results

Figure 4 to Figure 10 show the experimental test results of the Figure 1 design.

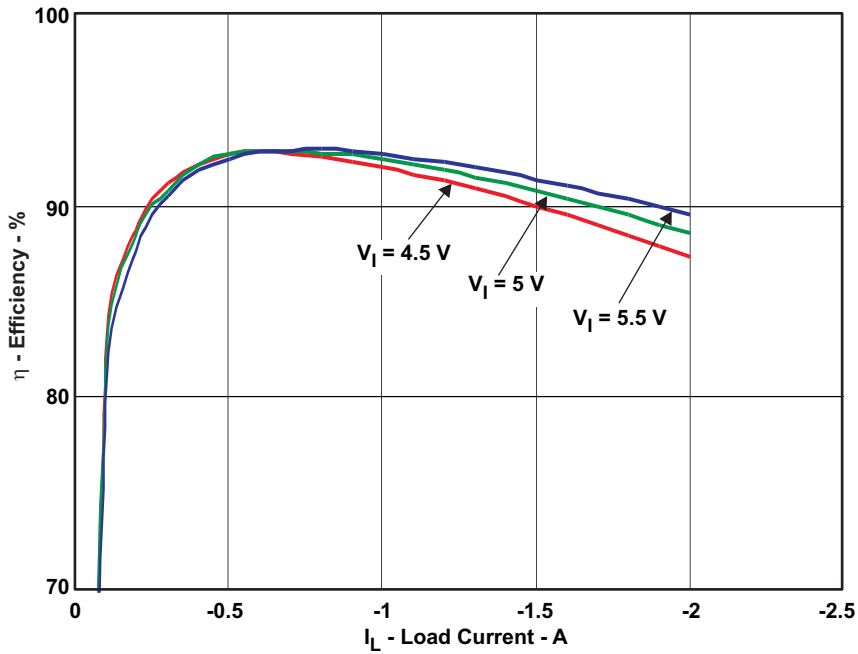


Figure 4. Efficiency Curve

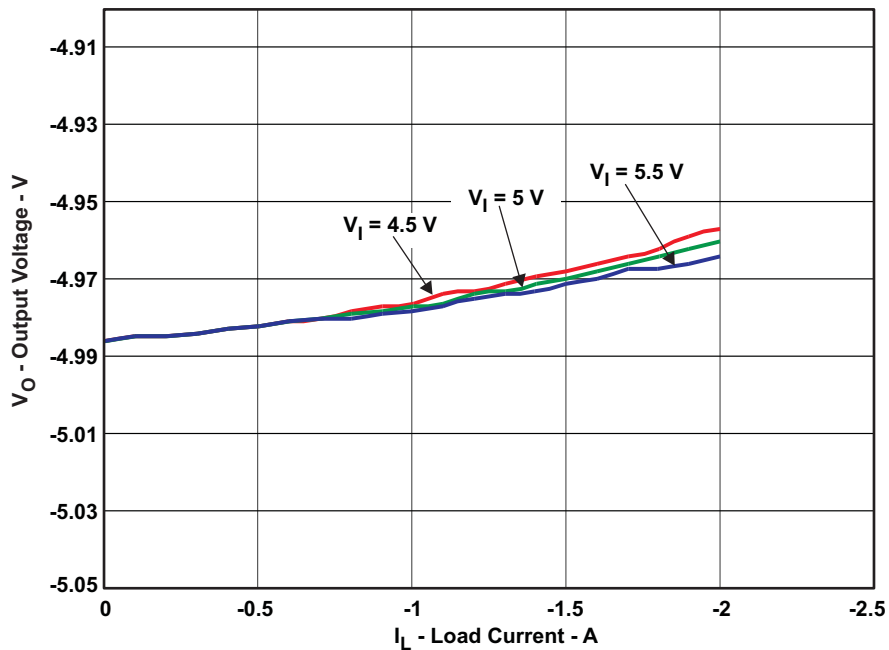


Figure 5. Load Regulation

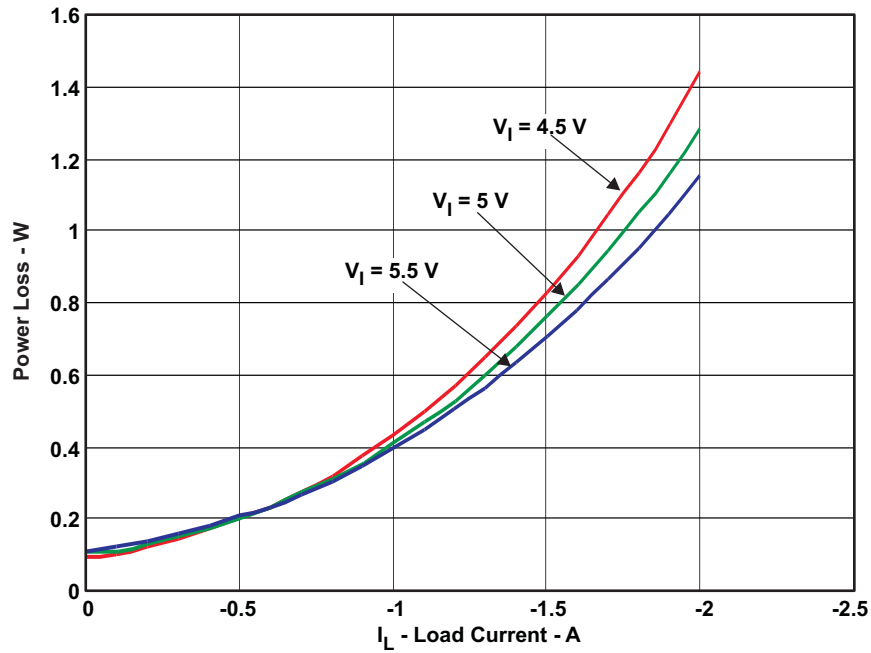


Figure 6. Power Loss vs Load Current

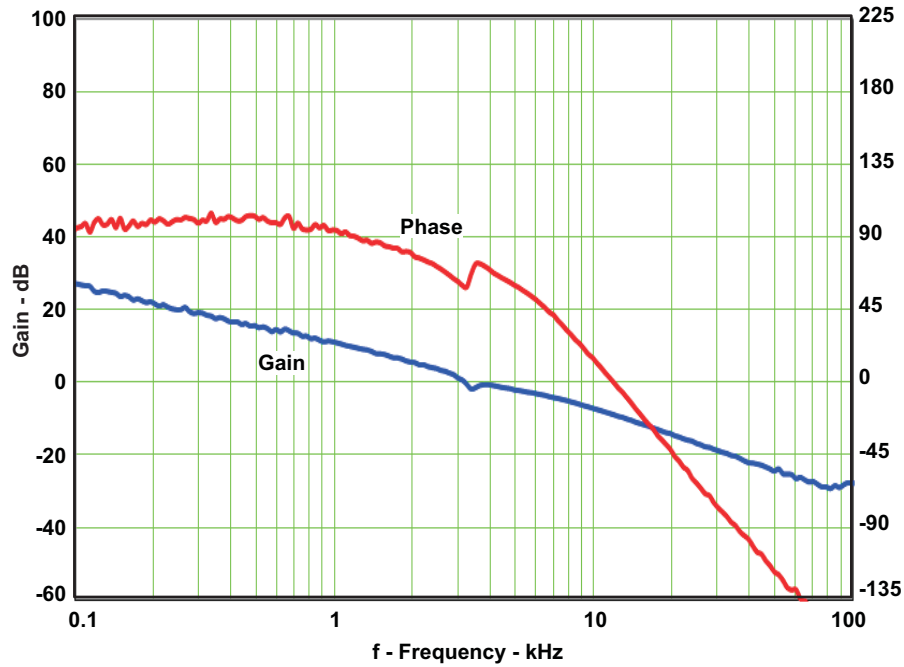


Figure 7. Bode Plot
(BW = 3.2 kHz, PM = 59.4°) ($V_{IN} = 5\text{ V}$, $V_{OUT} = -5\text{ V}$, $I_{OUT} = 2\text{ A}$)

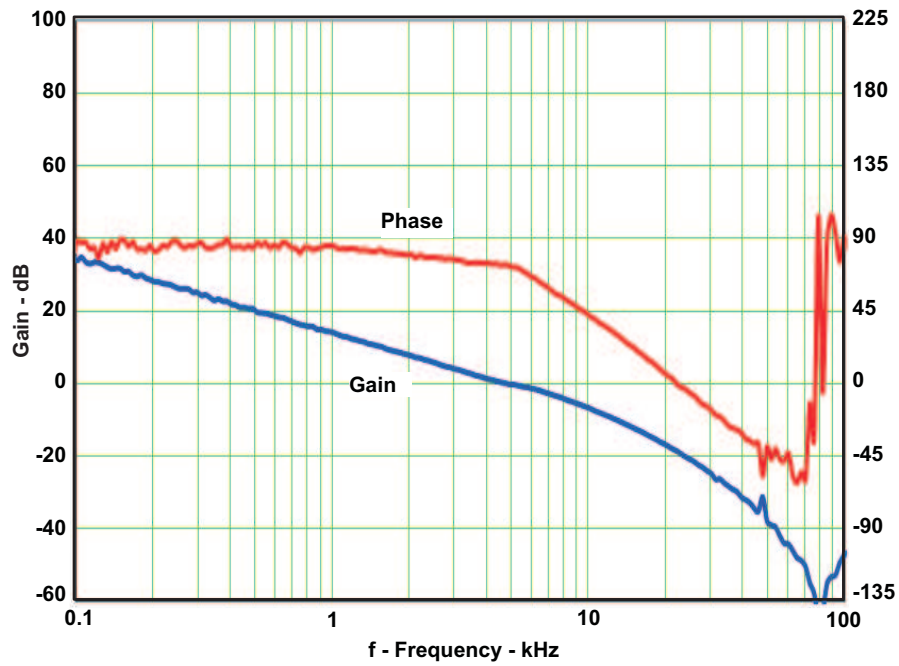


Figure 8. Bode Plot
 (BW = 4.9 kHz, PM = 72.5°) ($V_{IN} = 5\text{ V}$, $V_{OUT} = -5\text{ V}$, $I_{OUT} = 0\text{ A}$)

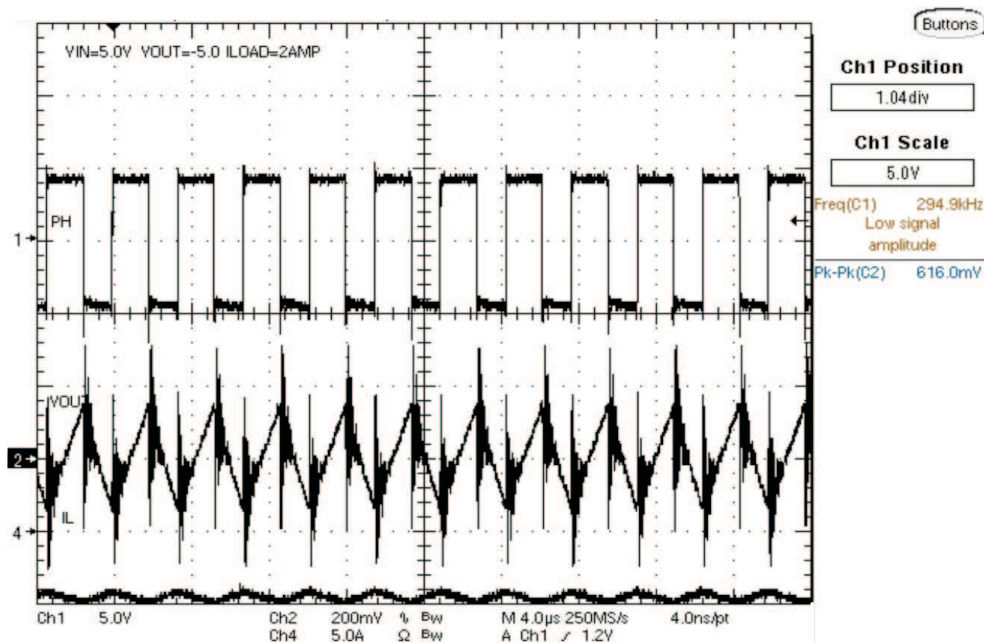


Figure 9. Switch Node
 ($V_{IN} = 5\text{ V}$, $V_{OUT} = -5\text{ V}$, $I_{OUT} = 0\text{ A}$)

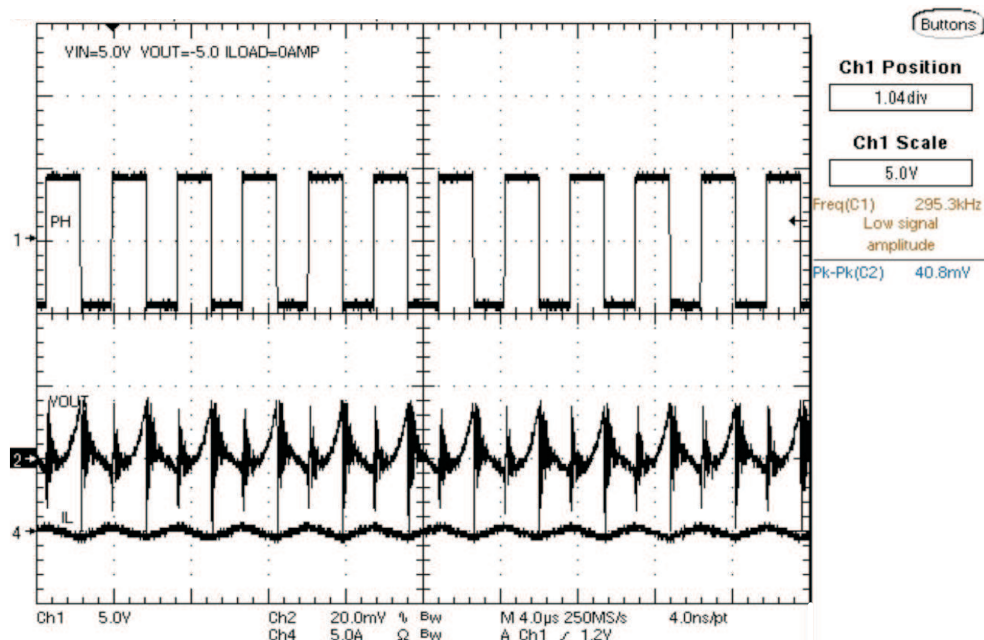


Figure 10. Switch Node Rising
($V_{IN} = 5\text{ V}$, $V_{OUT} = -5\text{ V}$, $I_{OUT} = 0\text{ A}$)

7 References

1. *Using a Buck Converter in an Inverting Buck-Boost Topology*, (SLYT286), 4Q 2007 Analog Applications Journal, Texas Instruments
2. *Using the TPS5430 as an Inverting Buck-Boost Converter* application report (SLVA257)
3. *Create an Inverting Power Supply From a Step-Down Regulator* application report (SLVA317)

Revision History

NOTE: Page numbers for previous revisions may differ from page numbers in the current version.

Changes from A Revision (June 2012) to B Revision

Page

• Added second sentence to Abstract	1
• Changed third sentence of Section 1	3
• Changed polarity of capacitor in Figure 2	4
• Added content to last paragraph in Section 5.10	8
• Changed first sentence of Section 5.13	8
• Changed "ESR is assumed to be 5" to "ESR is assumed to be 5 mΩ"	8
• Changed "Rdc is 19 m" to "Rdc is 19 mΩ"	8

IMPORTANT NOTICE FOR TI DESIGN INFORMATION AND RESOURCES

Texas Instruments Incorporated ("TI") technical, application or other design advice, services or information, including, but not limited to, reference designs and materials relating to evaluation modules, (collectively, "TI Resources") are intended to assist designers who are developing applications that incorporate TI products; by downloading, accessing or using any particular TI Resource in any way, you (individually or, if you are acting on behalf of a company, your company) agree to use it solely for this purpose and subject to the terms of this Notice.

TI's provision of TI Resources does not expand or otherwise alter TI's applicable published warranties or warranty disclaimers for TI products, and no additional obligations or liabilities arise from TI providing such TI Resources. TI reserves the right to make corrections, enhancements, improvements and other changes to its TI Resources.

You understand and agree that you remain responsible for using your independent analysis, evaluation and judgment in designing your applications and that you have full and exclusive responsibility to assure the safety of your applications and compliance of your applications (and of all TI products used in or for your applications) with all applicable regulations, laws and other applicable requirements. You represent that, with respect to your applications, you have all the necessary expertise to create and implement safeguards that (1) anticipate dangerous consequences of failures, (2) monitor failures and their consequences, and (3) lessen the likelihood of failures that might cause harm and take appropriate actions. You agree that prior to using or distributing any applications that include TI products, you will thoroughly test such applications and the functionality of such TI products as used in such applications. TI has not conducted any testing other than that specifically described in the published documentation for a particular TI Resource.

You are authorized to use, copy and modify any individual TI Resource only in connection with the development of applications that include the TI product(s) identified in such TI Resource. NO OTHER LICENSE, EXPRESS OR IMPLIED, BY ESTOPPEL OR OTHERWISE TO ANY OTHER TI INTELLECTUAL PROPERTY RIGHT, AND NO LICENSE TO ANY TECHNOLOGY OR INTELLECTUAL PROPERTY RIGHT OF TI OR ANY THIRD PARTY IS GRANTED HEREIN, including but not limited to any patent right, copyright, mask work right, or other intellectual property right relating to any combination, machine, or process in which TI products or services are used. Information regarding or referencing third-party products or services does not constitute a license to use such products or services, or a warranty or endorsement thereof. Use of TI Resources may require a license from a third party under the patents or other intellectual property of the third party, or a license from TI under the patents or other intellectual property of TI.

TI RESOURCES ARE PROVIDED "AS IS" AND WITH ALL FAULTS. TI DISCLAIMS ALL OTHER WARRANTIES OR REPRESENTATIONS, EXPRESS OR IMPLIED, REGARDING TI RESOURCES OR USE THEREOF, INCLUDING BUT NOT LIMITED TO ACCURACY OR COMPLETENESS, TITLE, ANY EPIDEMIC FAILURE WARRANTY AND ANY IMPLIED WARRANTIES OF MERCHANTABILITY, FITNESS FOR A PARTICULAR PURPOSE, AND NON-INFRINGEMENT OF ANY THIRD PARTY INTELLECTUAL PROPERTY RIGHTS.

TI SHALL NOT BE LIABLE FOR AND SHALL NOT DEFEND OR INDEMNIFY YOU AGAINST ANY CLAIM, INCLUDING BUT NOT LIMITED TO ANY INFRINGEMENT CLAIM THAT RELATES TO OR IS BASED ON ANY COMBINATION OF PRODUCTS EVEN IF DESCRIBED IN TI RESOURCES OR OTHERWISE. IN NO EVENT SHALL TI BE LIABLE FOR ANY ACTUAL, DIRECT, SPECIAL, COLLATERAL, INDIRECT, PUNITIVE, INCIDENTAL, CONSEQUENTIAL OR EXEMPLARY DAMAGES IN CONNECTION WITH OR ARISING OUT OF TI RESOURCES OR USE THEREOF, AND REGARDLESS OF WHETHER TI HAS BEEN ADVISED OF THE POSSIBILITY OF SUCH DAMAGES.

You agree to fully indemnify TI and its representatives against any damages, costs, losses, and/or liabilities arising out of your non-compliance with the terms and provisions of this Notice.

This Notice applies to TI Resources. Additional terms apply to the use and purchase of certain types of materials, TI products and services. These include; without limitation, TI's standard terms for semiconductor products (<http://www.ti.com/sc/docs/stdterms.htm>), [evaluation modules](#), and [samples](http://www.ti.com/sc/docs/sampterm.htm) (<http://www.ti.com/sc/docs/sampterm.htm>).

Mailing Address: Texas Instruments, Post Office Box 655303, Dallas, Texas 75265
Copyright © 2018, Texas Instruments Incorporated