

ABSTRACT

This user's guide describes the TPS23734 evaluation module (EVM). The TPS23734 evaluation module (TPS23734EVM-094) contains evaluation and reference circuitry for the TPS23734, which is a IEEE802.3bt Class 4 PoE PD, EA Gen 2 Ready, controller suitable for Class 4 (25.5 W) PoE PD applications. The TPS23734EVM-094 is targeted for a 5-V active clamp forward high efficiency 25-W solution.

Table of Contents

1 Introduction	3
1.1 Features.....	3
1.2 Applications.....	3
2 Electrical Specifications	3
3 Description	4
4 Schematic and Bill of Materials	5
5 General Configuration and Description	7
5.1 Physical Access.....	7
6 TPS23734EVM-094 Performance Data	9
6.1 Startup to PSE and DC/DC Startup.....	9
6.2 Transient Response.....	9
6.3 Efficiency.....	10
6.4 Load Regulation.....	10
6.5 Hiccup Performance During an Output Short and Recovery.....	11
6.6 Bode Plots.....	12
7 EVM Assembly Drawings and Layout Guidelines	13
7.1 PCB Drawings.....	13
7.2 Layout Guidelines.....	13
7.3 EMI Containment.....	14
8 Bill of Materials	15
9 Revision History	22

List of Figures

Figure 4-1. TPS23734EVM-094 Schematic Page One.....	5
Figure 4-2. TPS23734EVM-094 Schematic Page Two.....	6
Figure 6-1. DC/DC Start-up.....	9
Figure 6-2. Transient Response from 0 mA to 5 A for a 48-V Input.....	9
Figure 6-3. Efficiency of the TPS23734EVM-094.....	10
Figure 6-4. TPS23734EVM-094 Load Regulation.....	10
Figure 6-5. DC/DC Hiccup Performance During an Output Short.....	11
Figure 6-6. Bode Plot Response of the TPS23734EVM-094 With 0-A Load.....	12
Figure 6-7. Bode Plot Response of the TPS23734EVM-094 With 5-A Load.....	12
Figure 7-1. Top-Side Routing and Component Placement.....	13
Figure 7-2. Layer 2 Routing.....	13
Figure 7-3. Layer 3 Routing.....	13
Figure 7-4. Bottom Side Routing and Component Placement.....	13

List of Tables

Table 2-1. TPS23734EVM-094 Electrical and Performance Specifications at 25°C.....	3
Table 5-1. Connector Functionality.....	7
Table 5-2. Test Points.....	7
Table 8-1. TPS23734EVM-094 Bill of Materials.....	15

Trademarks

All trademarks are the property of their respective owners.

1 Introduction

The TPS23734EVM-094 allows reference circuitry evaluation of the TPS23734 device. The TPS23734EVM-094 contains input and output power connectors and an array of onboard test points for circuit evaluation.

1.1 Features

- IEEE802.3bt Class 4 compliant PoE PD
- Integrated PWM controller for active clamp forward configuration
- Frequency dithering for EMI reduction
- Soft-start control with advanced start-up and hiccup mode overload protection
- Soft-stop shutdown

1.2 Applications

- IEEE 802.3bt compliant devices
- Video and VoIP telephones
- Access points
- Pass-through system
- Security cameras
- Redundant power feeds or power sharing

2 Electrical Specifications

Table 2-1. TPS23734EVM-094 Electrical and Performance Specifications at 25°C

Design Example Specifications					
Parameter	Test Conditions	MIN	TYP	MAX	Unit
Power interface					
Input voltage range	Applied to the PoE Input	37	48	57	V
	Applied to the Adapter Input		48		
Detection voltage	At device terminals	2.7		10.1	
Classification voltage	At device terminals	14.5		20.5	
Classification			4		
Inrush current limit			140		mA
Operating current limit			0.925		A
DC-to-DC Converter					
Output voltage	$V_{IN} = 48\text{ V}$, $i_{load} \leq i_{load} (MAX)$		5		V
Output current	$37\text{ V} \leq V_{IN} \leq 57\text{ V}$		5		A
Output ripple voltage peak-to-peak	$V_{IN} = 48\text{ V}$, $i_{load} = 1\text{ A}$		15		mV
Efficiency, end to end	$V_{IN} = 48\text{ V}$, $i_{load} = 500\text{ mA}$		82		%
	$V_{IN} = 48\text{ V}$, $i_{load} = 2.5\text{ A}$		91		
	$V_{IN} = 48\text{ V}$, $i_{load} = 5\text{ A}$		90		
Switching frequency			250		kHz

3 Description

The TPS23734VM-094 enables full evaluation of the TPS23734 device. Refer to the schematic shown in [Figure 4-1](#) and [Figure 4-2](#). Ethernet power is applied from J2 and is dropped to the bridge rectifier. The Power over Ethernet (PoE) transformer needed to transfer power or data is T1. The Bob Smith Terminations help balance the Ethernet cabled impedance and are critical for ESD and EMI or EMC performance. The EMI or EMC filter and transient protection for the TPS23734 device are at the output of the bridge rectifier.

Input power can also be applied at J3 from a DC source when power at J1 is not present.

The TPS23734 (U1) PD and DC-to-DC converter circuitry is shown in Figure 1. R36 provides the detection signature. The switched side of the PD controller is to the right of U1. The TPS23734 RTN pins provide inrush limited turn-on and charge of the bulk capacitor, C19.

The DC-to-DC converter is a high-efficiency active clamp forward converter.

R43 provides a means for error injection to measure the frequency response of the converter.

4 Schematic and Bill of Materials

Figure 4-1 and Figure 4-2 illustrate the EVM schematics.

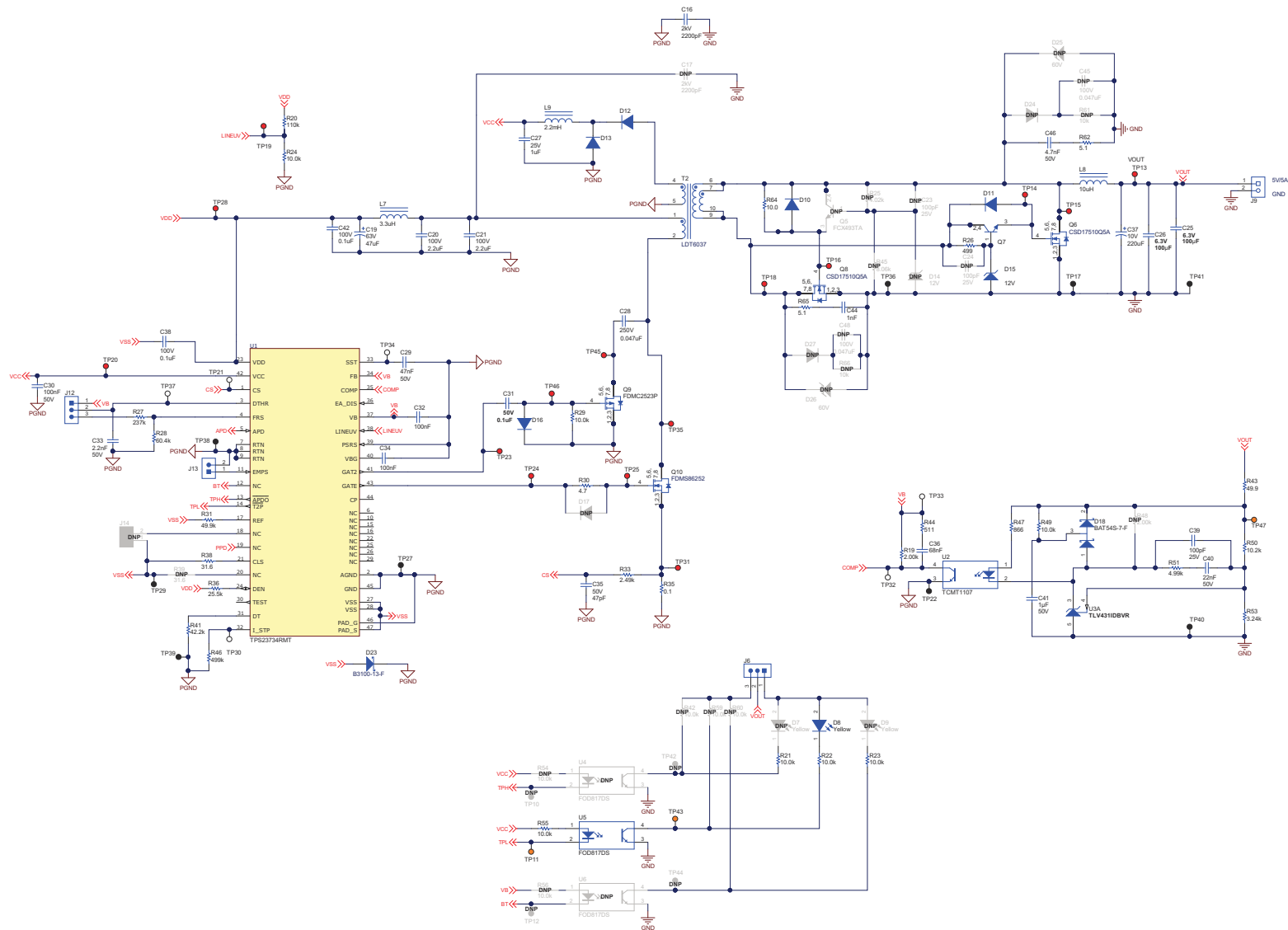


Figure 4-1. TPS23734EVM-094 Schematic Page One

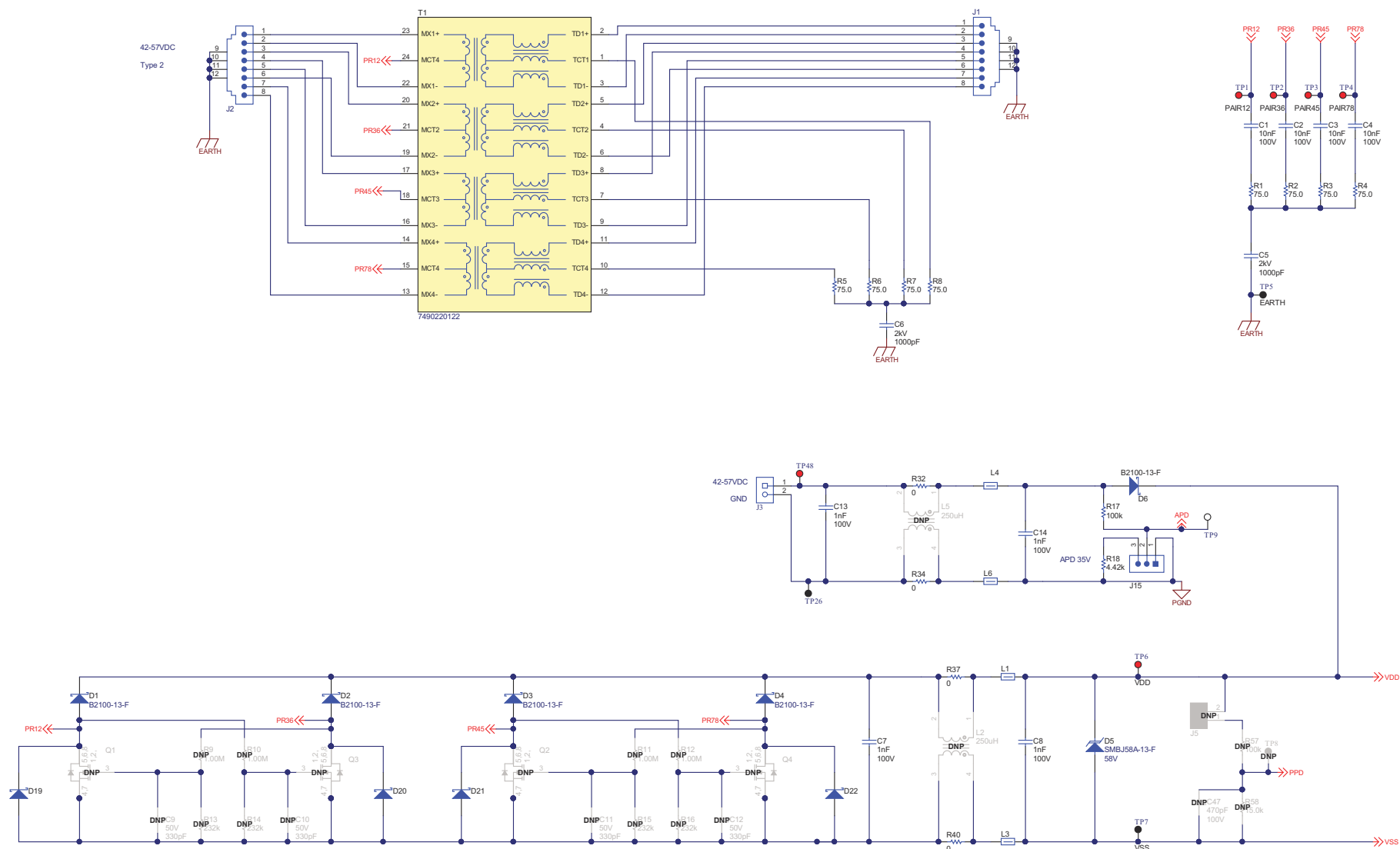


Figure 4-2. TPS23734EVM-094 Schematic Page Two

5 General Configuration and Description

5.1 Physical Access

Table 5-1 lists the EVM connector functionality. Table 5-2 describes the test point availability and jumper functionality.

Table 5-1. Connector Functionality

Connector	Description
J12	Connects DTH to either FRS or VB
J15	Enable or disable APD for adapter input from J3
J13	Enable or disable EMPS
J6	Select T2P to output on resistor, LED, or leave open

Table 5-2. Test Points

Test Point	Description
TP1	Pair 12
TP2	Pair 36
TP3	Pair 45
TP4	Pair 78
TP5	Earth
TP6	VDD
TP7	VSS
TP8	PPD
TP9	APD
TP11	T2P
TP13	V _{OUT}
TP14	Gate of Q6
TP15	Drain of Q6
TP16	Gate of Q8
TP17	Secondary Ground: GND
TP18	Drain of Q8
TP19	LINEUV
TP20	VCC
TP21	CS
TP22	Primary Ground: PGND
TP23	GAT2
TP24	GATE
TP25	Gate of Q10
TP26	J3 Negative Input
TP27	Primary Ground: PGND
TP28	VDD
TP29	VSS
TP30	I_STP
TP31	Sense Resistor R35
TP32	COMP
TP33	VB
TP34	SST
TP35	Drain of Q10
TP36	GND
TP37	DTHR

Table 5-2. Test Points (continued)

Test Point	Description
TP38	PGND
TP39	PGND
TP40	GND
TP41	GND
TP43	T2P Opto Output
TP45	Drain of Q9
TP46	Gate of Q9
TP47	Feedback Loop
TP48	J3 Positive Input

6 TPS23734EVM-094 Performance Data

6.1 Startup to PSE and DC/DC Startup

Figure 6-1 shows the DC/DC start-up response of the TPS23734EVM-094.

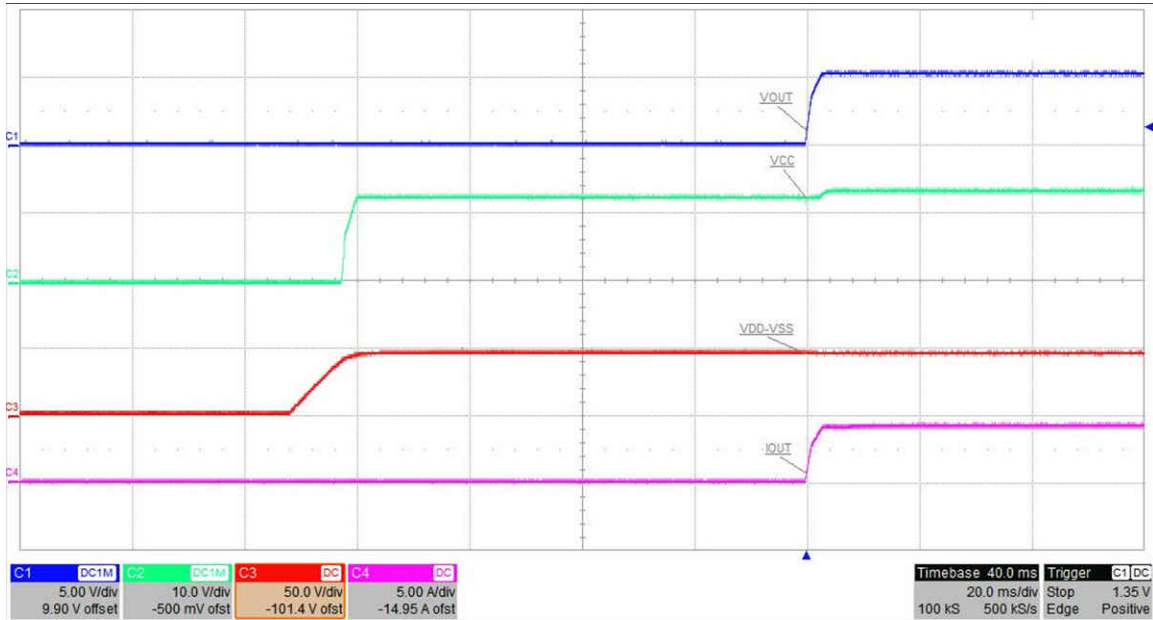


Figure 6-1. DC/DC Start-up

6.2 Transient Response

Figure 6-2 shows the transient response of the TPS23734EVM-094.

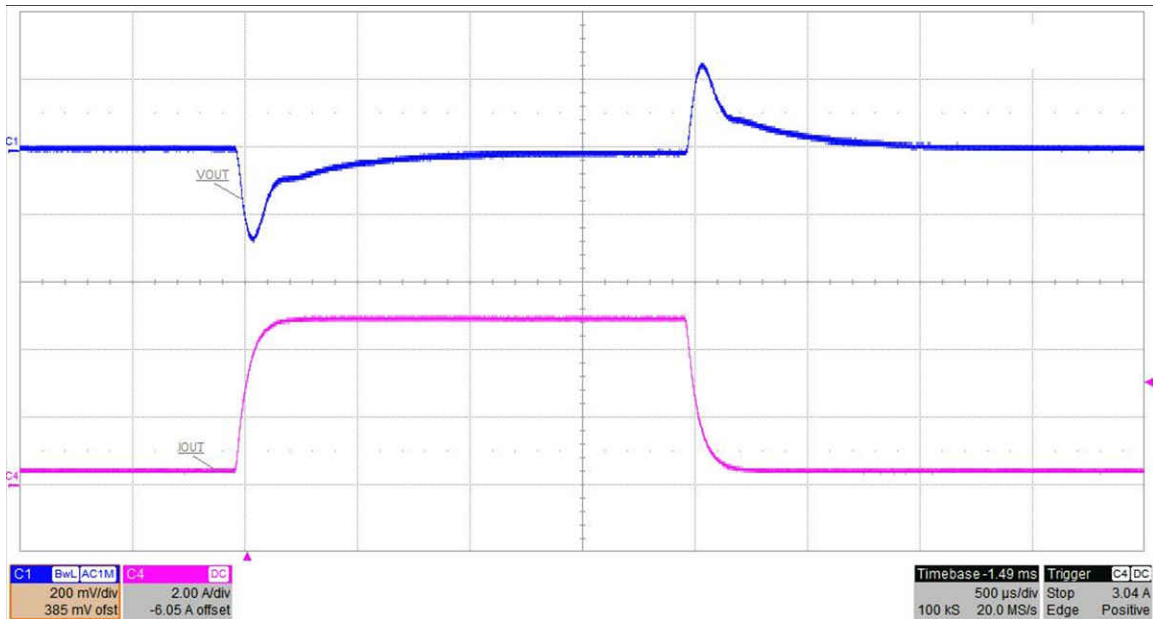


Figure 6-2. Transient Response from 0 mA to 5 A for a 48-V Input

6.3 Efficiency

Figure 6-3 shows the efficiency of the TPS23734EVM-094

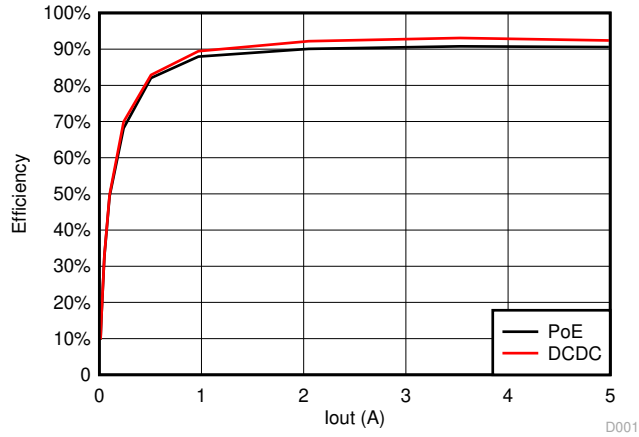


Figure 6-3. Efficiency of the TPS23734EVM-094

6.4 Load Regulation

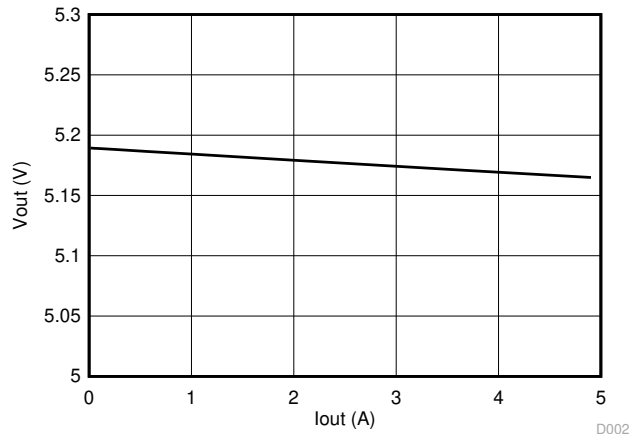


Figure 6-4. TPS23734EVM-094 Load Regulation

6.5 Hiccup Performance During an Output Short and Recovery

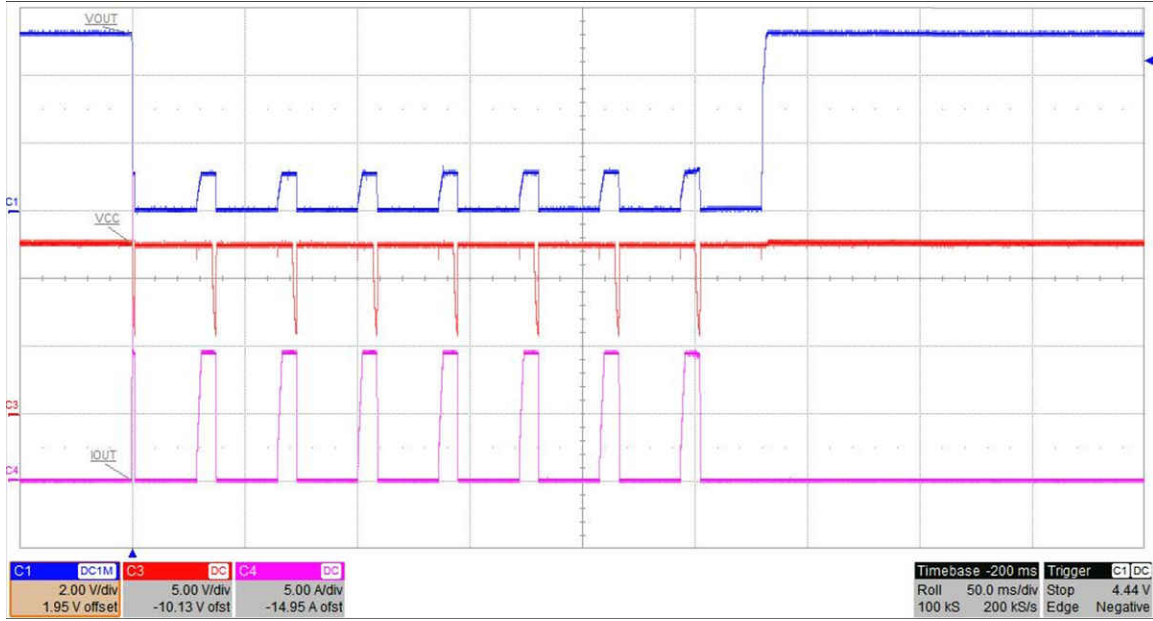


Figure 6-5. DC/DC Hiccup Performance During an Output Short

6.6 Bode Plots

Figure 6-6 and Figure 6-7 show the 0- and 5-A load bode plots.

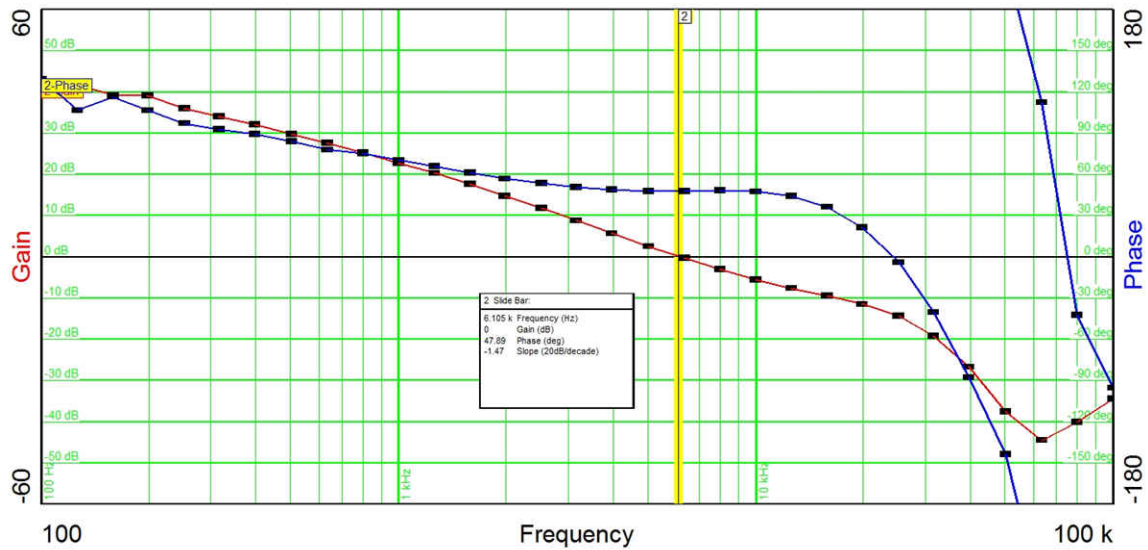


Figure 6-6. Bode Plot Response of the TPS23734EVM-094 With 0-A Load

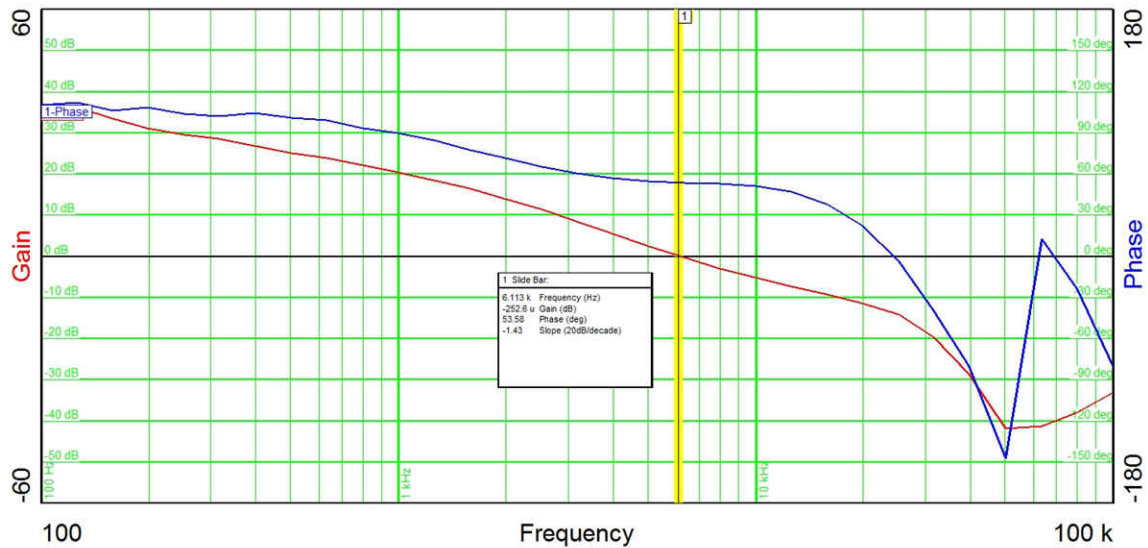


Figure 6-7. Bode Plot Response of the TPS23734EVM-094 With 5-A Load

7 EVM Assembly Drawings and Layout Guidelines

7.1 PCB Drawings

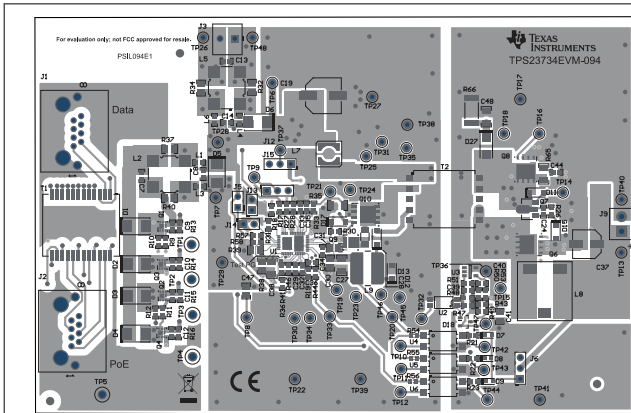


Figure 7-1. Top-Side Routing and Component Placement

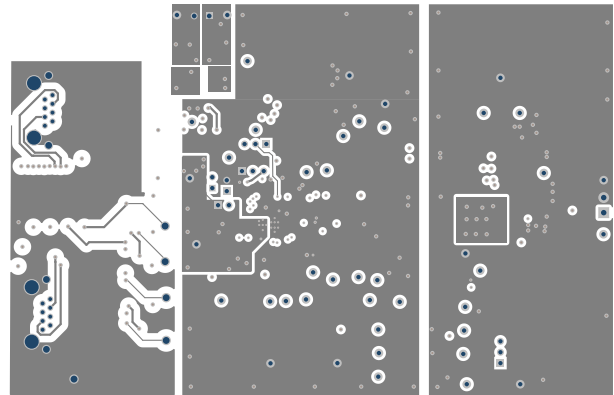


Figure 7-2. Layer 2 Routing

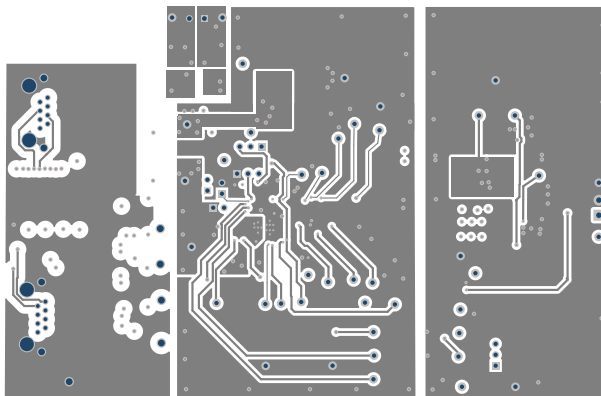


Figure 7-3. Layer 3 Routing

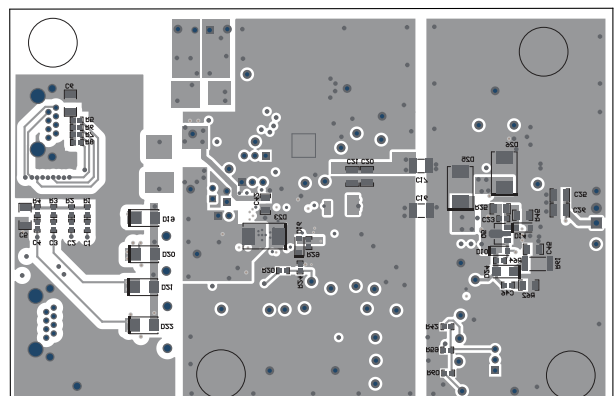


Figure 7-4. Bottom Side Routing and Component Placement

7.2 Layout Guidelines

The layout of the PoE front end must follow power and EMI or ESD best-practice guidelines. A basic set of recommendations includes:

- TI recommends having at least 8 vias (PAD G) and 5 vias on (PAD S) connecting the exposed thermal pad through a top layer plane (2-oz copper recommended) to a bottom VSS plane (2-oz copper recommended) to help with thermal dissipation.
- Place the primary MOSFET near the power transformer and keep the current sense resistor close to source of the MOSFET to minimize the primary loop. The same is true for the secondary MOSFETs. Keep the MOSFETs close to the transformer, and associated components as close together as possible to minimize the loop.
- Parts placement must be driven by power flow in a point-to-point manner; RJ-45, Ethernet transformer, diode bridges, TVS and 0.1- μ F capacitor, and TPS23734 converter input bulk capacitor.
- Make all leads as short as possible with wide power traces and paired signal and return.
- No crossovers of signals from one part of the flow to another are allowed.
- Spacing consistent with safety standards like IEC60950 must be observed between the 48-V input voltage rails and between the input and an isolated converter output.
- Use large copper fills and traces on SMT power-dissipating devices, and use wide traces or overlay copper fills in the power path.

- Place the Schottky diode between VSS and RTN as close to the IC as possible, preferably on directly on the opposite side of the board (for example, the TPS23734EVM-094 places the IC on the top side, so the diode is on the bottom side directly underneath it).

The DC-to-DC converter layout benefits from basic rules such as:

- Having at least 4 vias (VDD) near the power transformer pin connected to VDD through multiple layer planes to help with thermal dissipation of the power transformer.
- Pair signals to reduce emissions and noise, especially the paths that carry high-current pulses, which include the power semiconductors and magnetics.
- Minimize the trace length of high current power semiconductors and magnetic components.
- Use the ground plane for the switching currents carefully.
- Keep the high-current and high-voltage switching away from low-level sensing circuits including those outside the power supply.
- Proper spacing around the high-voltage sections of the converter.

7.3 EMI Containment

- Use compact loops for dv/dt and di/dt circuit paths (power loops and gate drives).
- Use minimal, yet thermally adequate, copper areas for heat sinking of components tied to switching nodes (minimize exposed radiating surface). Hide copper associated with switching nodes under shielded magnetics, where possible.
- Use copper ground planes (possible stitching) and top-layer copper floods (surround circuitry with ground floods).
- Use a 4-layer PCB, if economically feasible (for better grounding).
- Minimize the amount of copper area associated with input traces (to minimize radiated pickup).
- Heat sink the quiet side of components instead of the switching side, where possible (like the output side of inductor).
- Use Bob Smith terminations, Bob Smith EFT capacitor, and Bob Smith plane. Use Bob Smith plane as a ground shield on input side of PCB (creating a phantom or literal earth ground).
- Use the LC filter at DC-to-DC input.
- Dampen high-frequency ringing on all switching nodes, if present (allow for possible snubbers).
- Control rise times with gate-drive resistors and possibly snubbers.
- Switching frequency considerations.
- Use of EMI bridge capacitor across isolation boundary (isolated topologies).
- Observe the polarity dot on inductors (embed noisy end).
- Use of ferrite beads on input (allow for possible use of beads or 0- Ω resistors).
- Maintain physical separation between input-related circuitry and power circuitry (use ferrite beads as boundary line).
- Balance efficiency versus acceptable noise margin.
- Possible use of common-mode inductors.
- Possible use of integrated RJ-45 jacks (shielded with internal transformer and Bob Smith terminations).
- End-product enclosure considerations (shielding).

8 Bill of Materials

Table 8-1 lists the TPS23734EVM-094 Bill of Materials (BOM).

Table 8-1. TPS23734EVM-094 Bill of Materials

Designator	QTY	Value	Description	Package Reference	Part Number	Manufacturer	Alternate Part Number	Alternate Manufacturer
!PCB	1		Printed Circuit Board		PSIL094	Any		
C1, C2, C3, C4	4	0.01 uF	CAP, CERM, 0.01 uF, 100 V, ±10%, X7R, AEC-Q200 Grade 1, 0603	0603	CGA3E2X7R2A103K080AA	TDK		
C5, C6	2	1000 pF	CAP, CERM, 1000 pF, 2000 V, ±10%, X7R, 1808	1808	GR442QR73D102KW01L	MuRata		
C7, C8, C13, C14	4	1000 pF	CAP, CERM, 1000 pF, 100 V, ±10%, X7R, 0603	0603	C1608X7R2A102K080AA	TDK		
C16	1	2200 pF	CAP, CERM, 2200 pF, 2000 V, ±10%, X7R, 1812	1812	C4532X7R3D222K130KA	TDK		
C19	1	47 uF	CAP, AL, 47 uF, 63 V, ±20%, 0.65 ohm, AEC-Q200 Grade 2, SMD	SMT Radial F	EEE-FK1J470P	Panasonic		
C20, C21	2	2.2 uF	CAP, CERM, 2.2 uF, 100 V, ±10%, X7R, 1210	1210	GRM32ER72A225KA35L	MuRata		
C25, C26	2	100 uF	CAP, CERM, 100 uF, 6.3 V, ±20%, X7S, 1210	1210	GRM32EC70J107ME15L	MuRata		
C27	1	1 uF	CAP, CERM, 1 uF, 25 V, ±10%, X7R, 1206	1206	C3216X7R1E105K085AA	TDK		
C28	1	0.047 uF	CAP, CERM, 0.047 uF, 250 V, ±10%, X7R, 1206	1206	GRM31CR72E473KW03L	MuRata		
C29	1	0.047 uF	CAP, CERM, 0.047 uF, 50 V, ±10%, X7R, 0603	0603	C1608X7R1H473K080AA	TDK		
C30	1	0.1 uF	CAP, CERM, 0.1 uF, 50 V, ±10%, X7R, AEC-Q200 Grade 1, 0805	0805	GCM21BR71H104KA37K	MuRata		
C31	1	0.1 uF	CAP, CERM, 0.1 uF, 50 V, ±20%, X5R, 0805	0805	C2012X5R1H104M085AA	TDK		
C32	1	0.1 uF	CAP, CERM, 0.1 uF, 25 V, ±10%, X7R, AEC-Q200 Grade 1, 0603	0603	CGA3E2X7R1E104K080AA	TDK		
C33	1	2200 pF	CAP, CERM, 2200 pF, 50 V, ±10%, X7R, 0603	0603	C0603C222K5RAC	Kemet		
C34	1	0.1 uF	CAP, CERM, 0.1 uF, 25 V, ±5%, X7R, 0603	0603	C0603C104J3RACTU	Kemet		
C35	1	47 pF	CAP, CERM, 47 pF, 50 V, ±5%, C0G/NP0, 0603	0603	GRM1885C1H470JA01D	MuRata		
C36	1	0.068 uF	CAP, CERM, 0.068 uF, 50 V, ±10%, X7R, AEC-Q200 Grade 1, 0603	0603	CGA3E2X7R1H683K080AA	TDK		

Table 8-1. TPS23734EVM-094 Bill of Materials (continued)

Designator	QTY	Value	Description	Package Reference	Part Number	Manufacturer	Alternate Part Number	Alternate Manufacturer
C37	1	220 uF	CAP, AL, 220 uF, 10 V, ±20%, 0.34 ohm, AEC-Q200 Grade 2, SMD	SMT Radial D8	EEE-FK1A221XP	Panasonic		
C38, C42	2	0.1 uF	CAP, CERM, 0.1 uF, 100 V, ±10%, X7R, 1206	1206	GRM319R72A104KA01D	MuRata		
C39	1	100 pF	CAP, CERM, 100 pF, 25 V, ±10%, X7R, 0603	0603	06033C101KAT2A	AVX		
C40	1	0.022 uF	CAP, CERM, 0.022 uF, 50 V, ±10%, X7R, 0603	0603	C0603C223K5RACTU	Kemet		
C41	1	1 uF	CAP, CERM, 1 uF, 50 V, ±10%, X7R, 0805	0805	C2012X7R1H105K125AB	TDK		
C44	1	1000 pF	CAP, CERM, 1000 pF, 100 V, ±10%, X7R, AEC-Q200 Grade 1, 0603	0603	CGA3E2X7R2A102K080A A	TDK		
C46	1	4700 pF	CAP, CERM, 4700 pF, 50 V, ±10%, X7R, 0603	0603	C0603X472K5RACTU	Kemet		
D1, D2, D3, D4, D6, D19, D20, D21, D22	9	100 V	Diode, Schottky, 100 V, 2 A, SMB	SMB	B2100-13-F	Diodes Inc.		
D5	1	58 V	Diode, TVS, Uni, 58 V, 93.6 Vc, SMB	SMB	SMBJ58A-13-F	Diodes Inc.		
D8	1	Yellow	LED, Yellow, SMD	LED_0603	150060YS75000	Würth Elektronik		
D10, D11, D12, D13, D16	5	100 V	Diode, Switching, 100 V, 0.2 A, SOD-123	SOD-123	MMSD914T1G	ON Semiconductor		
D15	1	12 V	Diode, Zener, 12 V, 500 mW, SOD-123	SOD-123	MMSZ5242B-7-F	Diodes Inc.		
D18	1	30 V	Diode, Schottky, 30 V, 0.2 A, SOT-23	SOT-23	BAT54S-7-F	Diodes Inc.		
D23	1	100 V	Diode, Schottky, 100 V, 3 A, SMC	SMC	B3100-13-F	Diodes Inc.		
H9, H10, H11, H12	4		Bumpon, Hemisphere, 0.44 X 0.20, Clear	Transparent Bumpon	SJ-5303 (CLEAR)	3M		
J1, J2	2		RJ45, No LED, tab up, R/A, TH	16.26x14.54x15.75	1-406541-1	TE Connectivity		
J3	1		Terminal Block, 3.5 mm, 2x1, Tin, TH	Terminal Block, 3.5 mm, 2x1, TH	39357-0002	Molex		
J6, J12, J15	3		Header, 100mil, 3x1, Tin, TH	Header, 3x1, 100mil, TH	5-146278-3	TE Connectivity		
J9	1		Terminal Block, 3.5mm Pitch, 2x1, TH	7.0x8.2x6.5mm	ED555/2DS	On-Shore Technology		
J13	1		Header, 100mil, 2x1, Tin, TH	Header, 2x1, 100mil, TH	5-146278-2	TE Connectivity		

Table 8-1. TPS23734EVM-094 Bill of Materials (continued)

Designator	QTY	Value	Description	Package Reference	Part Number	Manufacturer	Alternate Part Number	Alternate Manufacturer
L1, L3, L4, L6	4	300 ohm	Ferrite Bead, 300 ohm @ 100 MHz, 2 A, 0603	0603	742792641	Würth Elektronik		
L7	1	3.3 uH	Inductor, Shielded Drum Core, Ferrite, 3.3 uH, 1.73 A, 0.03 ohm, SMD	MSS5131	MSS5131-332MLB	Coilcraft		
L8	1	10 uH	Inductor, Shielded E Core, Ferrite, 10 uH, 7.2 A, 0.01081 ohm, AEC-Q200 Grade 3, SMD	SER1360	SER1360-103KLB	Coilcraft		
L9	1	2.2 mH	Inductor, Unshielded Drum Core, Metal Composite, 2.2 mH, 0.15 A, 6 ohm, SMD	7x5x7.8mm	768775322	Würth Elektronik		
Q6, Q8	2	30 V	MOSFET, N-CH, 30 V, 100 A, DQJ0008A (VSONP-8)	DQJ0008A	CSD17510Q5A	Texas Instruments		
Q7	1	100 V	Transistor, NPN, 100 V, 1 A, SOT-89	SOT-89	FCX493TA	Diodes Inc.		
Q9	1	-150 V	MOSFET, P-CH, -150 V, -3 A, QFN-8	QFN-8	FDMC2523P	Fairchild Semiconductor		
Q10	1	150 V	MOSFET, N-CH, 150 V, 4.6 A, PQFN08A	PQFN08A	FDMS86252	Fairchild Semiconductor		
R1	1	75.0	RES, 75.0, 1%, 0.1 W, AEC-Q200 Grade 0, 0603	0603	CRCW060375R0FKEA	Vishay-Dale		
R2, R3, R4, R5, R6, R7, R8	7	75.0	RES, 75.0, 1%, 0.1 W, 0603	0603	CRCW060375R0FKEA	Vishay-Dale		
R17	1	100 k	RES, 100 k, 1%, 0.1 W, AEC-Q200 Grade 0, 0603	0603	CRCW0603100KFKEA	Vishay-Dale		
R18	1	4.42 k	RES, 4.42 k, 1%, 0.1 W, AEC-Q200 Grade 0, 0603	0603	CRCW06034K42FKEA	Vishay-Dale		
R19	1	2.00 k	RES, 2.00 k, 1%, 0.1 W, AEC-Q200 Grade 0, 0603	0603	CRCW06032K00FKEA	Vishay-Dale		
R20	1	110 k	RES, 110 k, 1%, 0.1 W, AEC-Q200 Grade 0, 0603	0603	CRCW0603110KFKEA	Vishay-Dale		
R21, R22, R23, R24, R29, R49, R55	7	10.0 k	RES, 10.0 k, 1%, 0.1 W, AEC-Q200 Grade 0, 0603	0603	CRCW060310K0FKEA	Vishay-Dale		
R26	1	499	RES, 499, 1%, 0.1 W, 0603	0603	CRCW0603499RFKEAC	Vishay-Dale		
R27	1	237 k	RES, 237 k, 1%, 0.1 W, 0603	0603	RC0603FR-07237KL	Yageo		
R28	1	60.4 k	RES, 60.4 k, 1%, 0.1 W, AEC-Q200 Grade 0, 0603	0603	CRCW060360K4FKEA	Vishay-Dale		
R30	1	4.7	RES, 4.7, 5%, 0.1 W, AEC-Q200 Grade 0, 0603	0603	CRCW06034R70JNEA	Vishay-Dale		

Table 8-1. TPS23734EVM-094 Bill of Materials (continued)

Designator	QTY	Value	Description	Package Reference	Part Number	Manufacturer	Alternate Part Number	Alternate Manufacturer
R31	1	49.9 k	RES, 49.9 k, 1%, 0.1 W, AEC-Q200 Grade 0, 0603	0603	CRCW060349K9FKEA	Vishay-Dale		
R32, R34, R37, R40	4	0	RES, 0, 0%, W, AEC-Q200 Grade 0, 0805	0805	PMR10EZPJ000	Rohm		
R33	1	2.49 k	RES, 2.49 k, 1%, 0.1 W, 0603	0603	RC0603FR-072K49L	Yageo		
R35	1	0.1	RES, 0.1, 1%, 0.5 W, 1206	1206	CSR1206FKR100	Stackpole Electronics Inc		
R36	1	25.5 k	RES, 25.5 k, 1%, 0.1 W, AEC-Q200 Grade 0, 0603	0603	CRCW060325K5FKEA	Vishay-Dale		
R38	1	31.6	RES, 31.6, 1%, 0.125 W, AEC-Q200 Grade 0, 0805	0805	CRCW080531R6FKEA	Vishay-Dale		
R41	1	42.2 k	RES, 42.2 k, 1%, 0.1 W, AEC-Q200 Grade 0, 0603	0603	CRCW060342K2FKEA	Vishay-Dale		
R43	1	49.9	RES, 49.9, 1%, 0.1 W, 0603	0603	RC0603FR-0749R9L	Yageo		
R44	1	511	RES, 511, 1%, 0.1 W, 0603	0603	RC0603FR-07511RL	Yageo		
R46	1	499k	RES, 499 k, 1%, 0.1 W, AEC-Q200 Grade 0, 0603	0603	CRCW0603499KFKEA	Vishay-Dale		
R47	1	866	RES, 866, 1%, 0.1 W, 0603	0603	RC0603FR-07866RL	Yageo		
R50	1	10.2 k	RES, 10.2 k, 1%, 0.1 W, 0603	0603	RC0603FR-0710K2L	Yageo		
R51	1	4.99 k	RES, 4.99 k, 1%, 0.1 W, 0603	0603	RC0603FR-074K99L	Yageo		
R53	1	3.24 k	RES, 3.24 k, 1%, 0.1 W, 0603	0603	RC0603FR-073K24L	Yageo		
R62, R65	2	5.1	RES, 5.1, 5%, 0.25 W, AEC-Q200 Grade 0, 1206	1206	CRCW12065R10JNEA	Vishay-Dale		
R64	1	10.0	RES, 10.0, 1%, 0.25 W, AEC-Q200 Grade 0, 0603	0603	CRCW060310R0FKEAHP	Vishay-Dale		
SH-J1, SH-J2, SH-J3, SH-J4, SH-J5	5		Shunt, 2.54mm, Gold, Black	Shunt, 2.54mm, Black	60900213421	Würth Elektronik		
T1	1	350 uH	Transformer, 350 uH, SMT	14.7x18.29mm	7490220122	Würth Elektronik		
T2	1	100 uH	Transformer, 100uH, SMT	17.5x14x14mm	LDT6037-50	Linkcom	750320121	Würth Elektronik
TP1, TP2, TP3, TP4	4		Test Point, Multipurpose, Red, TH	Red Multipurpose Testpoint	5010	Keystone		
TP5	1		Test Point, Multipurpose, Black, TH	Black Multipurpose Testpoint	5011	Keystone		

Table 8-1. TPS23734EVM-094 Bill of Materials (continued)

Designator	QTY	Value	Description	Package Reference	Part Number	Manufacturer	Alternate Part Number	Alternate Manufacturer
TP6, TP13, TP14, TP15, TP16, TP18, TP19, TP20, TP23, TP24, TP25, TP28, TP31, TP35, TP45, TP46, TP48	17		Test Point, Miniature, Red, TH	Red Miniature Testpoint	5000	Keystone		
TP7, TP17, TP22, TP26, TP27, TP29, TP36, TP38, TP39, TP40, TP41	11		Test Point, Miniature, Black, TH	Black Miniature Testpoint	5001	Keystone		
TP9, TP21, TP30, TP32, TP33, TP34, TP37	7		Test Point, Miniature, White, TH	White Miniature Testpoint	5002	Keystone		
TP11, TP43, TP47	3		Test Point, Miniature, Orange, TH	Orange Miniature Testpoint	5003	Keystone		
U1	1		TPS23734RMT, RMT0045A (VQFN-45)	RMT0045A	TPS23734RMT	Texas Instruments		
U2	1		Optocoupler, 3.75 kV, 80-160% CTR, SMT	SOP-4	TCMT1107	Vishay-Semiconductor		
U3	1		Low Voltage Adjustable Precision Shunt Regulator, 39 ppm / degC, 15 mA, -40 to 85 degC, 5-pin SOT-23 (DBV), Green (RoHS and no Sb/Br)	DBV0005A	TLV431IDBVR	Texas Instruments		
U5	1		Optocoupler, 5 kV, 300-600% CTR, SMT	DIP-4L Gullwing	FOD817DS	Fairchild Semiconductor		
C9, C10, C11, C12	0	330 pF	CAP, CERM, 330 pF, 50 V, ±5%, C0G/NP0, 0603	0603	885012006060	Wurth Elektronik		
C17	0	2200 pF	CAP, CERM, 2200 pF, 2000 V, ±10%, X7R, 1812	1812	C4532X7R3D222K130KA	TDK		
C23, C24	0	100 pF	CAP, CERM, 100 pF, 25 V, ±10%, X7R, 0603	0603	06033C101KAT2A	AVX		
C45, C48	0	0.047 uF	CAP, CERM, 0.047 uF, 100 V, ±10%, X7R, AEC-Q200 Grade 1, 1206	1206	CGA5H2X7R2A473K115A	TDK		
C47	0	470 pF	CAP, CERM, 470 pF, 100 V, ±10%, X7R, 0805	0805	08051C471KAT2A	AVX		
D7, D9	0	Yellow	LED, Yellow, SMD	LED_0603	150060YS75000	Wurth Elektronik		

Table 8-1. TPS23734EVM-094 Bill of Materials (continued)

Designator	QTY	Value	Description	Package Reference	Part Number	Manufacturer	Alternate Part Number	Alternate Manufacturer
D14	0	12 V	Diode, Zener, 12 V, 500 mW, SOD-123	SOD-123	MMSZ5242B-7-F	Diodes Inc.		
D17	0	100 V	Diode, Switching, 100 V, 0.2 A, SOD-123	SOD-123	MMSD914T1G	ON Semiconductor		
D24, D27	0	100 V	Diode, Ultrafast, 100 V, 2 A, SMA	SMA	MURA110T3G	ON Semiconductor		
D25, D26	0	60 V	Diode, TVS, Uni, 60 V, SMC	SMC	SMCJ60A	Fairchild Semiconductor		
FID1, FID2, FID3	0		Fiducial mark. There is nothing to buy or mount.	N/A	N/A	N/A		
J5	0		Header, 100mil, 2x1, Tin, TH	Header, 2 PIN, 100mil, Tin	PEC02SAAN	Sullins Connector Solutions		
J14	0		Header, 100mil, 2x1, Tin, TH	Header, 2x1, 100mil, TH	5-146278-2	TE Connectivity		
L2, L5	0	250 uH	Coupled inductor, 250 uH, A, 0.035 ohm, SMD	8.7x10mm	744272251	Würth Elektronik		
Q1, Q2, Q3, Q4	0	100 V	MOSFET, N-CH, 100 V, 4.5 A, DQK0006C (WSON-6)	DQK0006C	CSD19538Q2	Texas Instruments		
Q5	0	100 V	Transistor, NPN, 100 V, 1 A, SOT-89	SOT-89	FCX493TA	Diodes Inc.		
R9, R10, R11, R12	0	1.00Meg	RES, 1.00 M, 1%, 0.1 W, AEC-Q200 Grade 0, 0603	0603	CRCW06031M00FKEA	Vishay-Dale		
R13, R14, R15, R16	0	232 k	RES, 232 k, 1%, 0.1 W, AEC-Q200 Grade 0, 0603	0603	CRCW0603232KFKEA	Vishay-Dale		
R25	0	4.02 k	RES, 4.02 k, 1%, 0.25 W, AEC-Q200 Grade 0, 1206	1206	CRCW12064K02FKEA	Vishay-Dale		
R39	0	31.6	RES, 31.6, 1%, 0.125 W, AEC-Q200 Grade 0, 0805	0805	CRCW080531R6FKEA	Vishay-Dale		
R42, R54, R56, R59, R60	0	10.0 k	RES, 10.0 k, 1%, 0.1 W, AEC-Q200 Grade 0, 0603	0603	CRCW060310K0FKEA	Vishay-Dale		
R45	0	8.06 k	RES, 8.06 k, 1%, 0.25 W, AEC-Q200 Grade 0, 1206	1206	CRCW12068K06FKEA	Vishay-Dale		
R48	0	2.00 k	RES, 2.00 k, 1%, 0.1 W, 0603	0603	Y16362K00000F9R	Vishay Foil Resistors		
R57	0	100 k	RES, 100 k, 1%, 0.1 W, AEC-Q200 Grade 0, 0603	0603	CRCW0603100KFKEA	Vishay-Dale		
R58	0	15.0 k	RES, 15.0 k, 1%, 0.1 W, AEC-Q200 Grade 0, 0603	0603	CRCW060315K0FKEA	Vishay-Dale		
R61, R66	0	10 k	RES, 10 k, 5%, 1 W, AEC-Q200 Grade 0, 2512	2512	CRCW251210K0JNEG	Vishay-Dale		

Table 8-1. TPS23734EVM-094 Bill of Materials (continued)

Designator	QTY	Value	Description	Package Reference	Part Number	Manufacturer	Alternate Part Number	Alternate Manufacturer
TP8	0		Test Point, Miniature, White, TH	White Miniature Testpoint	5002	Keystone		
TP10, TP12, TP42, TP44	0		Test Point, Miniature, Orange, TH	Orange Miniature Testpoint	5003	Keystone		
U4, U6	0		Optocoupler, 5 kV, 300-600% CTR, SMT	DIP-4L Gullwing	FOD817DS	Fairchild Semiconductor		

9 Revision History

NOTE: Page numbers for previous revisions may differ from page numbers in the current version.

Changes from Revision * (June 2020) to Revision A (August 2022)	Page
• Updated the numbering format for tables, figures, and cross-references throughout the document.....	3
• Corrected device name in <i>Bill of Materials</i>	15
• Updated Table 8-1	15

STANDARD TERMS FOR EVALUATION MODULES

1. *Delivery:* TI delivers TI evaluation boards, kits, or modules, including any accompanying demonstration software, components, and/or documentation which may be provided together or separately (collectively, an "EVM" or "EVMs") to the User ("User") in accordance with the terms set forth herein. User's acceptance of the EVM is expressly subject to the following terms.
 - 1.1 EVMs are intended solely for product or software developers for use in a research and development setting to facilitate feasibility evaluation, experimentation, or scientific analysis of TI semiconductors products. EVMs have no direct function and are not finished products. EVMs shall not be directly or indirectly assembled as a part or subassembly in any finished product. For clarification, any software or software tools provided with the EVM ("Software") shall not be subject to the terms and conditions set forth herein but rather shall be subject to the applicable terms that accompany such Software
 - 1.2 EVMs are not intended for consumer or household use. EVMs may not be sold, sublicensed, leased, rented, loaned, assigned, or otherwise distributed for commercial purposes by Users, in whole or in part, or used in any finished product or production system.
2. *Limited Warranty and Related Remedies/Disclaimers:*
 - 2.1 These terms do not apply to Software. The warranty, if any, for Software is covered in the applicable Software License Agreement.
 - 2.2 TI warrants that the TI EVM will conform to TI's published specifications for ninety (90) days after the date TI delivers such EVM to User. Notwithstanding the foregoing, TI shall not be liable for a nonconforming EVM if (a) the nonconformity was caused by neglect, misuse or mistreatment by an entity other than TI, including improper installation or testing, or for any EVMs that have been altered or modified in any way by an entity other than TI, (b) the nonconformity resulted from User's design, specifications or instructions for such EVMs or improper system design, or (c) User has not paid on time. Testing and other quality control techniques are used to the extent TI deems necessary. TI does not test all parameters of each EVM. User's claims against TI under this Section 2 are void if User fails to notify TI of any apparent defects in the EVMs within ten (10) business days after delivery, or of any hidden defects with ten (10) business days after the defect has been detected.
 - 2.3 TI's sole liability shall be at its option to repair or replace EVMs that fail to conform to the warranty set forth above, or credit User's account for such EVM. TI's liability under this warranty shall be limited to EVMs that are returned during the warranty period to the address designated by TI and that are determined by TI not to conform to such warranty. If TI elects to repair or replace such EVM, TI shall have a reasonable time to repair such EVM or provide replacements. Repaired EVMs shall be warranted for the remainder of the original warranty period. Replaced EVMs shall be warranted for a new full ninety (90) day warranty period.

WARNING

Evaluation Kits are intended solely for use by technically qualified, professional electronics experts who are familiar with the dangers and application risks associated with handling electrical mechanical components, systems, and subsystems.

User shall operate the Evaluation Kit within TI's recommended guidelines and any applicable legal or environmental requirements as well as reasonable and customary safeguards. Failure to set up and/or operate the Evaluation Kit within TI's recommended guidelines may result in personal injury or death or property damage. Proper set up entails following TI's instructions for electrical ratings of interface circuits such as input, output and electrical loads.

NOTE:

EXPOSURE TO ELECTROSTATIC DISCHARGE (ESD) MAY CAUSE DEGRADATION OR FAILURE OF THE EVALUATION KIT; TI RECOMMENDS STORAGE OF THE EVALUATION KIT IN A PROTECTIVE ESD BAG.

3 Regulatory Notices:

3.1 United States

3.1.1 Notice applicable to EVMs not FCC-Approved:

FCC NOTICE: This kit is designed to allow product developers to evaluate electronic components, circuitry, or software associated with the kit to determine whether to incorporate such items in a finished product and software developers to write software applications for use with the end product. This kit is not a finished product and when assembled may not be resold or otherwise marketed unless all required FCC equipment authorizations are first obtained. Operation is subject to the condition that this product not cause harmful interference to licensed radio stations and that this product accept harmful interference. Unless the assembled kit is designed to operate under part 15, part 18 or part 95 of this chapter, the operator of the kit must operate under the authority of an FCC license holder or must secure an experimental authorization under part 5 of this chapter.

3.1.2 For EVMs annotated as FCC – FEDERAL COMMUNICATIONS COMMISSION Part 15 Compliant:

CAUTION

This device complies with part 15 of the FCC Rules. Operation is subject to the following two conditions: (1) This device may not cause harmful interference, and (2) this device must accept any interference received, including interference that may cause undesired operation.

Changes or modifications not expressly approved by the party responsible for compliance could void the user's authority to operate the equipment.

FCC Interference Statement for Class A EVM devices

NOTE: This equipment has been tested and found to comply with the limits for a Class A digital device, pursuant to part 15 of the FCC Rules. These limits are designed to provide reasonable protection against harmful interference when the equipment is operated in a commercial environment. This equipment generates, uses, and can radiate radio frequency energy and, if not installed and used in accordance with the instruction manual, may cause harmful interference to radio communications. Operation of this equipment in a residential area is likely to cause harmful interference in which case the user will be required to correct the interference at his own expense.

FCC Interference Statement for Class B EVM devices

NOTE: This equipment has been tested and found to comply with the limits for a Class B digital device, pursuant to part 15 of the FCC Rules. These limits are designed to provide reasonable protection against harmful interference in a residential installation. This equipment generates, uses and can radiate radio frequency energy and, if not installed and used in accordance with the instructions, may cause harmful interference to radio communications. However, there is no guarantee that interference will not occur in a particular installation. If this equipment does cause harmful interference to radio or television reception, which can be determined by turning the equipment off and on, the user is encouraged to try to correct the interference by one or more of the following measures:

- Reorient or relocate the receiving antenna.
- Increase the separation between the equipment and receiver.
- Connect the equipment into an outlet on a circuit different from that to which the receiver is connected.
- Consult the dealer or an experienced radio/TV technician for help.

3.2 Canada

3.2.1 For EVMs issued with an Industry Canada Certificate of Conformance to RSS-210 or RSS-247

Concerning EVMs Including Radio Transmitters:

This device complies with Industry Canada license-exempt RSSs. Operation is subject to the following two conditions:

(1) this device may not cause interference, and (2) this device must accept any interference, including interference that may cause undesired operation of the device.

Concernant les EVMs avec appareils radio:

Le présent appareil est conforme aux CNR d'Industrie Canada applicables aux appareils radio exempts de licence. L'exploitation est autorisée aux deux conditions suivantes: (1) l'appareil ne doit pas produire de brouillage, et (2) l'utilisateur de l'appareil doit accepter tout brouillage radioélectrique subi, même si le brouillage est susceptible d'en compromettre le fonctionnement.

Concerning EVMs Including Detachable Antennas:

Under Industry Canada regulations, this radio transmitter may only operate using an antenna of a type and maximum (or lesser) gain approved for the transmitter by Industry Canada. To reduce potential radio interference to other users, the antenna type and its gain should be so chosen that the equivalent isotropically radiated power (e.i.r.p.) is not more than that necessary for successful communication. This radio transmitter has been approved by Industry Canada to operate with the antenna types listed in the user guide with the maximum permissible gain and required antenna impedance for each antenna type indicated. Antenna types not included in this list, having a gain greater than the maximum gain indicated for that type, are strictly prohibited for use with this device.

Concernant les EVMs avec antennes détachables

Conformément à la réglementation d'Industrie Canada, le présent émetteur radio peut fonctionner avec une antenne d'un type et d'un gain maximal (ou inférieur) approuvé pour l'émetteur par Industrie Canada. Dans le but de réduire les risques de brouillage radioélectrique à l'intention des autres utilisateurs, il faut choisir le type d'antenne et son gain de sorte que la puissance isotrope rayonnée équivalente (p.i.r.e.) ne dépasse pas l'intensité nécessaire à l'établissement d'une communication satisfaisante. Le présent émetteur radio a été approuvé par Industrie Canada pour fonctionner avec les types d'antenne énumérés dans le manuel d'usage et ayant un gain admissible maximal et l'impédance requise pour chaque type d'antenne. Les types d'antenne non inclus dans cette liste, ou dont le gain est supérieur au gain maximal indiqué, sont strictement interdits pour l'exploitation de l'émetteur.

3.3 Japan

3.3.1 *Notice for EVMs delivered in Japan:* Please see http://www.tij.co.jp/lstds/ti_ja/general/eStore/notice_01.page 日本国内に輸入される評価用キット、ボードについては、次のところをご覧ください。
http://www.tij.co.jp/lstds/ti_ja/general/eStore/notice_01.page

3.3.2 *Notice for Users of EVMs Considered "Radio Frequency Products" in Japan:* EVMs entering Japan may not be certified by TI as conforming to Technical Regulations of Radio Law of Japan.

If User uses EVMs in Japan, not certified to Technical Regulations of Radio Law of Japan, User is required to follow the instructions set forth by Radio Law of Japan, which includes, but is not limited to, the instructions below with respect to EVMs (which for the avoidance of doubt are stated strictly for convenience and should be verified by User):

1. Use EVMs in a shielded room or any other test facility as defined in the notification #173 issued by Ministry of Internal Affairs and Communications on March 28, 2006, based on Sub-section 1.1 of Article 6 of the Ministry's Rule for Enforcement of Radio Law of Japan,
2. Use EVMs only after User obtains the license of Test Radio Station as provided in Radio Law of Japan with respect to EVMs, or
3. Use of EVMs only after User obtains the Technical Regulations Conformity Certification as provided in Radio Law of Japan with respect to EVMs. Also, do not transfer EVMs, unless User gives the same notice above to the transferee. Please note that if User does not follow the instructions above, User will be subject to penalties of Radio Law of Japan.

【無線電波を送信する製品の開発キットをお使いになる際の注意事項】 開発キットの中には技術基準適合証明を受けていないものがあります。技術適合証明を受けていないものご使用に際しては、電波法遵守のため、以下のいずれかの措置を取っていただく必要がありますのでご注意ください。

1. 電波法施行規則第6条第1項第1号に基づく平成18年3月28日総務省告示第173号で定められた電波暗室等の試験設備でご使用いただく。
2. 実験局の免許を取得後ご使用いただく。
3. 技術基準適合証明を取得後ご使用いただく。

なお、本製品は、上記の「ご使用にあたっての注意」を譲渡先、移転先に通知しない限り、譲渡、移転できないものとします。

上記を遵守頂けない場合は、電波法の罰則が適用される可能性があることをご留意ください。日本テキサス・インスツルメンツ株式会社
東京都新宿区西新宿 6 丁目 2 4 番 1 号
西新宿三井ビル

3.3.3 *Notice for EVMs for Power Line Communication:* Please see http://www.tij.co.jp/lstds/ti_ja/general/eStore/notice_02.page
電力線搬送波通信についての開発キットをお使いになる際の注意事項については、次のところをご覧ください。http://www.tij.co.jp/lstds/ti_ja/general/eStore/notice_02.page

3.4 European Union

3.4.1 *For EVMs subject to EU Directive 2014/30/EU (Electromagnetic Compatibility Directive):*

This is a class A product intended for use in environments other than domestic environments that are connected to a low-voltage power-supply network that supplies buildings used for domestic purposes. In a domestic environment this product may cause radio interference in which case the user may be required to take adequate measures.

-
- 4 *EVM Use Restrictions and Warnings:*
 - 4.1 EVMS ARE NOT FOR USE IN FUNCTIONAL SAFETY AND/OR SAFETY CRITICAL EVALUATIONS, INCLUDING BUT NOT LIMITED TO EVALUATIONS OF LIFE SUPPORT APPLICATIONS.
 - 4.2 User must read and apply the user guide and other available documentation provided by TI regarding the EVM prior to handling or using the EVM, including without limitation any warning or restriction notices. The notices contain important safety information related to, for example, temperatures and voltages.
 - 4.3 *Safety-Related Warnings and Restrictions:*
 - 4.3.1 User shall operate the EVM within TI's recommended specifications and environmental considerations stated in the user guide, other available documentation provided by TI, and any other applicable requirements and employ reasonable and customary safeguards. Exceeding the specified performance ratings and specifications (including but not limited to input and output voltage, current, power, and environmental ranges) for the EVM may cause personal injury or death, or property damage. If there are questions concerning performance ratings and specifications, User should contact a TI field representative prior to connecting interface electronics including input power and intended loads. Any loads applied outside of the specified output range may also result in unintended and/or inaccurate operation and/or possible permanent damage to the EVM and/or interface electronics. Please consult the EVM user guide prior to connecting any load to the EVM output. If there is uncertainty as to the load specification, please contact a TI field representative. During normal operation, even with the inputs and outputs kept within the specified allowable ranges, some circuit components may have elevated case temperatures. These components include but are not limited to linear regulators, switching transistors, pass transistors, current sense resistors, and heat sinks, which can be identified using the information in the associated documentation. When working with the EVM, please be aware that the EVM may become very warm.
 - 4.3.2 EVMs are intended solely for use by technically qualified, professional electronics experts who are familiar with the dangers and application risks associated with handling electrical mechanical components, systems, and subsystems. User assumes all responsibility and liability for proper and safe handling and use of the EVM by User or its employees, affiliates, contractors or designees. User assumes all responsibility and liability to ensure that any interfaces (electronic and/or mechanical) between the EVM and any human body are designed with suitable isolation and means to safely limit accessible leakage currents to minimize the risk of electrical shock hazard. User assumes all responsibility and liability for any improper or unsafe handling or use of the EVM by User or its employees, affiliates, contractors or designees.
 - 4.4 User assumes all responsibility and liability to determine whether the EVM is subject to any applicable international, federal, state, or local laws and regulations related to User's handling and use of the EVM and, if applicable, User assumes all responsibility and liability for compliance in all respects with such laws and regulations. User assumes all responsibility and liability for proper disposal and recycling of the EVM consistent with all applicable international, federal, state, and local requirements.
 5. *Accuracy of Information:* To the extent TI provides information on the availability and function of EVMs, TI attempts to be as accurate as possible. However, TI does not warrant the accuracy of EVM descriptions, EVM availability or other information on its websites as accurate, complete, reliable, current, or error-free.
 6. *Disclaimers:*
 - 6.1 EXCEPT AS SET FORTH ABOVE, EVMS AND ANY MATERIALS PROVIDED WITH THE EVM (INCLUDING, BUT NOT LIMITED TO, REFERENCE DESIGNS AND THE DESIGN OF THE EVM ITSELF) ARE PROVIDED "AS IS" AND "WITH ALL FAULTS." TI DISCLAIMS ALL OTHER WARRANTIES, EXPRESS OR IMPLIED, REGARDING SUCH ITEMS, INCLUDING BUT NOT LIMITED TO ANY EPIDEMIC FAILURE WARRANTY OR IMPLIED WARRANTIES OF MERCHANTABILITY OR FITNESS FOR A PARTICULAR PURPOSE OR NON-INFRINGEMENT OF ANY THIRD PARTY PATENTS, COPYRIGHTS, TRADE SECRETS OR OTHER INTELLECTUAL PROPERTY RIGHTS.
 - 6.2 EXCEPT FOR THE LIMITED RIGHT TO USE THE EVM SET FORTH HEREIN, NOTHING IN THESE TERMS SHALL BE CONSTRUED AS GRANTING OR CONFERRING ANY RIGHTS BY LICENSE, PATENT, OR ANY OTHER INDUSTRIAL OR INTELLECTUAL PROPERTY RIGHT OF TI, ITS SUPPLIERS/LICENSORS OR ANY OTHER THIRD PARTY, TO USE THE EVM IN ANY FINISHED END-USER OR READY-TO-USE FINAL PRODUCT, OR FOR ANY INVENTION, DISCOVERY OR IMPROVEMENT, REGARDLESS OF WHEN MADE, CONCEIVED OR ACQUIRED.
 7. *USER'S INDEMNITY OBLIGATIONS AND REPRESENTATIONS.* USER WILL DEFEND, INDEMNIFY AND HOLD TI, ITS LICENSORS AND THEIR REPRESENTATIVES HARMLESS FROM AND AGAINST ANY AND ALL CLAIMS, DAMAGES, LOSSES, EXPENSES, COSTS AND LIABILITIES (COLLECTIVELY, "CLAIMS") ARISING OUT OF OR IN CONNECTION WITH ANY HANDLING OR USE OF THE EVM THAT IS NOT IN ACCORDANCE WITH THESE TERMS. THIS OBLIGATION SHALL APPLY WHETHER CLAIMS ARISE UNDER STATUTE, REGULATION, OR THE LAW OF TORT, CONTRACT OR ANY OTHER LEGAL THEORY, AND EVEN IF THE EVM FAILS TO PERFORM AS DESCRIBED OR EXPECTED.
-

8. *Limitations on Damages and Liability:*

8.1 *General Limitations.* IN NO EVENT SHALL TI BE LIABLE FOR ANY SPECIAL, COLLATERAL, INDIRECT, PUNITIVE, INCIDENTAL, CONSEQUENTIAL, OR EXEMPLARY DAMAGES IN CONNECTION WITH OR ARISING OUT OF THESE TERMS OR THE USE OF THE EVMS , REGARDLESS OF WHETHER TI HAS BEEN ADVISED OF THE POSSIBILITY OF SUCH DAMAGES. EXCLUDED DAMAGES INCLUDE, BUT ARE NOT LIMITED TO, COST OF REMOVAL OR REINSTALLATION, ANCILLARY COSTS TO THE PROCUREMENT OF SUBSTITUTE GOODS OR SERVICES, RETESTING, OUTSIDE COMPUTER TIME, LABOR COSTS, LOSS OF GOODWILL, LOSS OF PROFITS, LOSS OF SAVINGS, LOSS OF USE, LOSS OF DATA, OR BUSINESS INTERRUPTION. NO CLAIM, SUIT OR ACTION SHALL BE BROUGHT AGAINST TI MORE THAN TWELVE (12) MONTHS AFTER THE EVENT THAT GAVE RISE TO THE CAUSE OF ACTION HAS OCCURRED.

8.2 *Specific Limitations.* IN NO EVENT SHALL TI'S AGGREGATE LIABILITY FROM ANY USE OF AN EVM PROVIDED HEREUNDER, INCLUDING FROM ANY WARRANTY, INDEMNITY OR OTHER OBLIGATION ARISING OUT OF OR IN CONNECTION WITH THESE TERMS, , EXCEED THE TOTAL AMOUNT PAID TO TI BY USER FOR THE PARTICULAR EVM(S) AT ISSUE DURING THE PRIOR TWELVE (12) MONTHS WITH RESPECT TO WHICH LOSSES OR DAMAGES ARE CLAIMED. THE EXISTENCE OF MORE THAN ONE CLAIM SHALL NOT ENLARGE OR EXTEND THIS LIMIT.

9. *Return Policy.* Except as otherwise provided, TI does not offer any refunds, returns, or exchanges. Furthermore, no return of EVM(s) will be accepted if the package has been opened and no return of the EVM(s) will be accepted if they are damaged or otherwise not in a resalable condition. If User feels it has been incorrectly charged for the EVM(s) it ordered or that delivery violates the applicable order, User should contact TI. All refunds will be made in full within thirty (30) working days from the return of the components(s), excluding any postage or packaging costs.

10. *Governing Law:* These terms and conditions shall be governed by and interpreted in accordance with the laws of the State of Texas, without reference to conflict-of-laws principles. User agrees that non-exclusive jurisdiction for any dispute arising out of or relating to these terms and conditions lies within courts located in the State of Texas and consents to venue in Dallas County, Texas. Notwithstanding the foregoing, any judgment may be enforced in any United States or foreign court, and TI may seek injunctive relief in any United States or foreign court.

Mailing Address: Texas Instruments, Post Office Box 655303, Dallas, Texas 75265
Copyright © 2019, Texas Instruments Incorporated

IMPORTANT NOTICE AND DISCLAIMER

TI PROVIDES TECHNICAL AND RELIABILITY DATA (INCLUDING DATA SHEETS), DESIGN RESOURCES (INCLUDING REFERENCE DESIGNS), APPLICATION OR OTHER DESIGN ADVICE, WEB TOOLS, SAFETY INFORMATION, AND OTHER RESOURCES "AS IS" AND WITH ALL FAULTS, AND DISCLAIMS ALL WARRANTIES, EXPRESS AND IMPLIED, INCLUDING WITHOUT LIMITATION ANY IMPLIED WARRANTIES OF MERCHANTABILITY, FITNESS FOR A PARTICULAR PURPOSE OR NON-INFRINGEMENT OF THIRD PARTY INTELLECTUAL PROPERTY RIGHTS.

These resources are intended for skilled developers designing with TI products. You are solely responsible for (1) selecting the appropriate TI products for your application, (2) designing, validating and testing your application, and (3) ensuring your application meets applicable standards, and any other safety, security, regulatory or other requirements.

These resources are subject to change without notice. TI grants you permission to use these resources only for development of an application that uses the TI products described in the resource. Other reproduction and display of these resources is prohibited. No license is granted to any other TI intellectual property right or to any third party intellectual property right. TI disclaims responsibility for, and you will fully indemnify TI and its representatives against, any claims, damages, costs, losses, and liabilities arising out of your use of these resources.

TI's products are provided subject to [TI's Terms of Sale](#) or other applicable terms available either on ti.com or provided in conjunction with such TI products. TI's provision of these resources does not expand or otherwise alter TI's applicable warranties or warranty disclaimers for TI products.

TI objects to and rejects any additional or different terms you may have proposed.

Mailing Address: Texas Instruments, Post Office Box 655303, Dallas, Texas 75265
Copyright © 2022, Texas Instruments Incorporated