

Using the LM5108EVM

This user's guide describes the characteristics, operation, and use of the LM5108 Evaluation Module (EVM). A complete schematic diagram, PCB layouts, and BOM are included in this document.

Contents

1	Introduction	2
2	Description	2
	2.1 Features.....	2
	2.2 I/O Description	3
3	Electrical Specifications	3
4	Test Summary.....	4
	4.1 Definitions.....	4
	4.2 Equipment	4
	4.3 Equipment Setup.....	4
5	Power Up and Power Down Procedure.....	6
	5.1 Power Up	6
	5.2 Power Down	6
6	Operation With External Bootstrap Diode	7
7	Typical Performance Waveforms ($C_L = 1000 \text{ pF}$)	8
	7.1 Propagation Delays	8
8	Schematic.....	9
9	Layout Diagrams	10
10	List of Materials.....	14

List of Figures

1	Bench Setup Diagram and Configuration.....	5
2	Example Input and Output Waveforms (Green and Magenta are PWM Inputs, Yellow and Blue are Driver Outputs)	6
3	HI and HO Propagation Delay Waveforms (Green and Magenta are PWM Inputs, Yellow and Blue are Driver Outputs)	8
4	LI and LO Propagation Delay Waveforms (Green and Magenta are PWM Inputs, Yellow and Blue are Driver Outputs)	8
5	LM5108EVM Schematic	9
6	Top Overlay	10
7	Top Layer	11
8	Bottom Layer	12
9	Bottom Overlay	12
10	Top Image	13
11	Bottom Image	13

List of Tables

1	Connection Descriptions	3
2	Two-Channel Function Generator Settings	4
3	Oscilloscope Settings	5
4	LM5108EVM List of Materials	14

Trademarks

All trademarks are the property of their respective owners.

1 Introduction

The LM5108EVM is designed to primarily evaluate the LM5108 performance. This driver is a 100-V boot voltage, high-side, low-side driver with 1.5-A peak source and 2.5-A sink current for driving two N-Channel MOSFETs. The same board can be used to evaluate other pin-to-pin compatible parts in the supported package. The LM5108 has low propagation delay and low propagation delay matching between the high- and low-side rising and falling edges of the driver outputs for reliable timing of the gate-drive signals. The LM5108 inputs can tolerate signals as high as 16 V regardless of the V_{DD} voltage which enhances device robustness.

The LM5108 driver includes an enable function which enables the driver outputs when pulled high, and disables the driver into a very low standby current mode when low. The LM5108 also includes an interlock feature which sets both LO and HO driver outputs low when both LI and HI inputs are high at the same time. This prevents turning on the high-side and low-side MOSFETs at the same time enhancing robustness of the power train design.

2 Description

The EVM is developed in such a way that the LM5108 driver performance can be evaluated and compared to data sheet parameters, or externally connected to power devices with provisions for source and sink gate-resistance flexibility. The LM5108EVM evaluation board uses surface-mount test points allowing connection to LI, HI, VDD, and HB inputs. A variety of other test points are available for probing the LM5108. The input bias is configured such that the VHB-VHS high-side bias can be sourced from VCC, or an external additional bias can be added to provide VHB-VHS directly. The high- and low-side driver output returns are separated on HS and GND respectively to allow evaluation of the LM5108 HS negative voltage capabilities. For detailed device information, see [LM5108 Datasheet](#).

2.1 Features

The EVM supports the following features:

- EVM for the low-voltage features of the LM5108 gate driver
- 6-V to 16-V VCC power supply range
- TTL-compatible inputs
- PCB layout optimized for bias supply bypassing cap, gate-drive resistance selection
- Capacitive load, external gate drive resistor and diode for gate drive network evaluation
- Allows quick verification of most of the data sheet parameters
- Test points allow probing all the key pins of the LM5108

2.2 I/O Description

Table 1 details the connection descriptions.

Table 1. Connection Descriptions

Pins	Description
VCC	V _{CC} positive input test point. Powers IC VDD pin, use 6-V to 16-V range.
VDD	V _{DD} positive input of LM5108 IC
GND	Multiple test points. V _{CC} negative input, HI_IN, LI_IN, and ENA_IN negative inputs, and ground at LM5108 IC
HI_IN	High-side input to EVM
HI	High-side input pin, HI
LI_IN	Low-side input to EVM
LI	Low-side input pin, LI
ENA_IN	Enable input to EVM. Connect to GND to disable driver.
VHB	HB pin voltage
HO LD	High-side output at capacitive load
HO	High-side output pin
HS	High-side driver return pin. Usually connected to high-side MOSFET source.
LO LD	Low-side output at capacitive load
LO	Low-side output pin

3 Electrical Specifications

Refer to the [LM5108 Datasheet](#) for the full range of recommended operating specifications and design guidelines for driving loads.

CAUTION

The LM5108EVM is designed for low-voltage evaluation only, and is not certified for evaluation with voltages beyond the absolute maximums listed in the electrical specifications. Do **not** evaluate high-voltage parameters with this board.

4 Test Summary

4.1 Definitions

This procedure details how to configure the LM5108EVM evaluation board. Within this test procedure, the following naming conventions are applied. Refer to the LM5108EVM *Bench Setup Diagram and Configuration*, [Figure 1](#), for details.

DMM: Digital multimeter

EVM: Evaluation module

4.2 Equipment

4.2.1 Power Supply

DC power supply with voltage and current above 20 V and 1 A, for example: Agilent E3634A

4.2.2 Function Generator

Two-channel function generator over 10 MHz, for example: Tektronics AFG3252

4.2.3 DMM

DMM with voltage and current above 25 V and 1 A, for example: Fluke 187

4.2.4 Oscilloscope

Four channel oscilloscope with 500MHz or greater bandwidth, for example DPO 7054

4.3 Equipment Setup

4.3.1 DC Power Supply Settings

- DC power supply #1
 - Voltage setting: 12 V
 - Current limit: 0.05 A

4.3.2 Digital Multi-Meter Settings

- DMM #1
 - DC current measurement, auto-range. Expected current is within 1 mA to 15 mA.

4.3.3 Two-Channel Function Generator Settings

[Table 2](#) displays the two-channel function generator settings.

Table 2. Two-Channel Function Generator Settings

	Mode	Frequency	Width	Delay	High	Low	Output Impedance
Channel A	Pulse	100 kHz	2.5 μ s	0 us	5 V	0 V	High Z
Channel B			2.5 μ s	5 μ s			

The LM5108 interlock function will result in HO and LO in the low state if HI and LI are high at the same time.

4.3.4 Oscilloscope Settings

Table 3 details the oscilloscope settings.

Table 3. Oscilloscope Settings

	Bandwidth	Coupling	Termination	Scale Settings	Inverting
Channel A	500 MHz or above	DC	1 M Ω or automatic	10x or automatic	OFF
Channel B					

4.3.5 Bench Setup Diagram

The bench setup diagram includes the function generator and oscilloscope connections.

Use the following connection procedure, refer to Figure 1.

- First, make sure the output of the function generator and power supplies are disabled before connection.
- Apply function generator channel-A on HI_IN-GND.
- Apply function generator channel-B on LI_IN-GND.
- Power supply #1: apply positive lead to current input of DMM #1 and current output of DMM #1 to test point VCC; apply negative lead to test point GND.
- Apply oscilloscope channel-1 probes on HO LD-HS, minimizing the loop area as much as possible. Note the scope ground is connected to HS test point.
- Apply oscilloscope channel-2 probes on LO LD-GND, minimizing the loop area as much as possible.

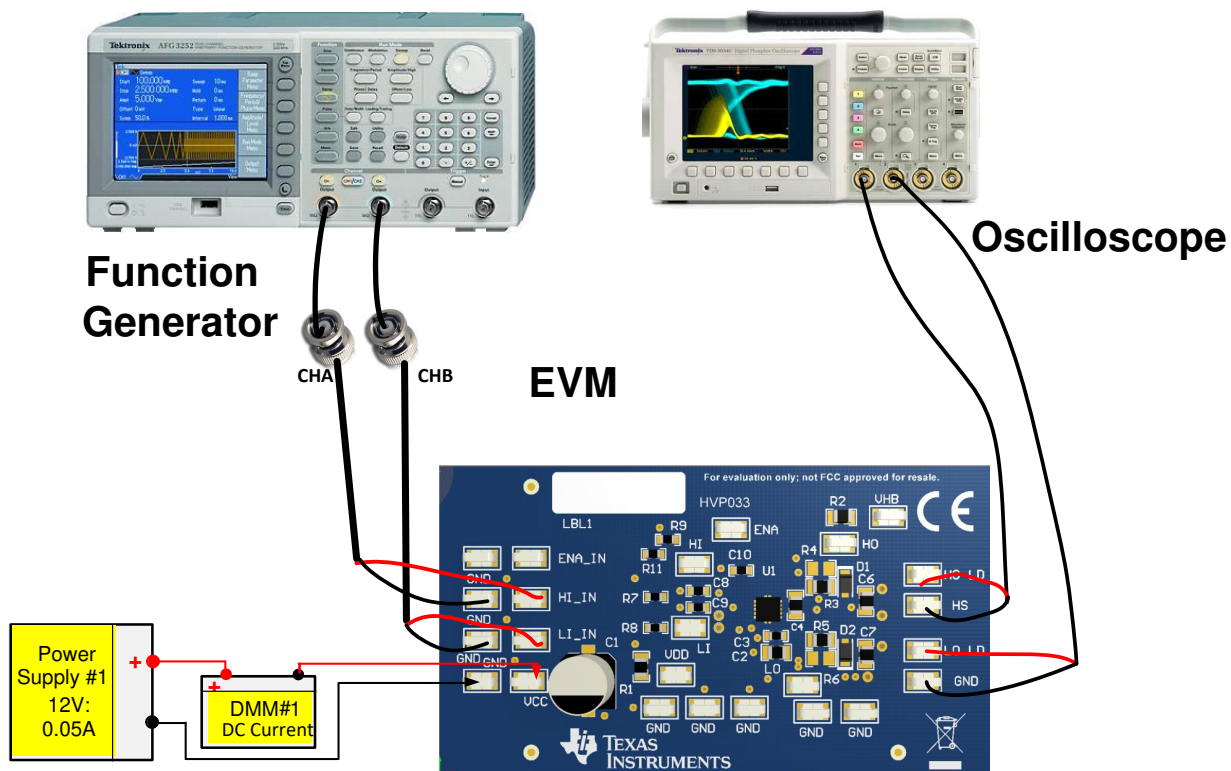


Figure 1. Bench Setup Diagram and Configuration

5 Power Up and Power Down Procedure

5.1 Power Up

1. Before beginning the power up test procedure, verify the connections with [Figure 1](#).
2. Enable supply #1, if the current on DMM1 is more than 0.25 mA and less than 0.71 mA, everything is set correctly.
3. Enable function generator outputs channel-A and channel-B.
4. The following conditions should be present:
 1. Stable pulse output on channel-1 and channel-2 in the oscilloscope, refer to [Figure 2](#)
 2. Frequency measurement should be 100 kHz, ± 5 kHz or equal to the programmed function generator frequency
 3. DMM #1 should display around 4.6 mA, ± 2 mA with the default load capacitance of 1.0nF. For more information about operating current, refer to [UCC2728x Datasheet](#).
5. Connect ENA_IN test point to GND test point with a Jumper. The pulse outputs on channel-1 and channel-2 will cease operation and the voltage level should be near ground.



**Figure 2. Example Input and Output Waveforms
(Green and Magenta are PWM Inputs, Yellow and Blue are Driver Outputs)**

5.2 Power Down

Use the following steps to power down the EVM:

1. Disable function generator
2. Disable power supply #1
3. Disconnect cables and probes

6 Operation With External Bootstrap Diode

The LM5108EVM has an internal bootstrap diode included, the series resistor (R10) is not populated. This allows the user to evaluate pin compatible drivers that do not have the internal bootstrap diode which is included with the LM5108 High-Side and Low-Side Driver.

As a general guideline, when using the external bootstrap diode a resistance value of 2.2Ω to 10Ω is recommended. Install R10 1206 size resistor for evaluation of pin compatible drivers without the internal bootstrap diode.

7 Typical Performance Waveforms ($C_L = 1000\text{ pF}$)

7.1 Propagation Delays

The waveforms below illustrate the HI input and HO output on the top traces, and the LI input and LO output on the bottom traces in each plot.

To evaluate propagation delays and rising and falling details, it is recommended to have scope probe connections with short ground leads, see [Figure 3](#) and [Figure 4](#).

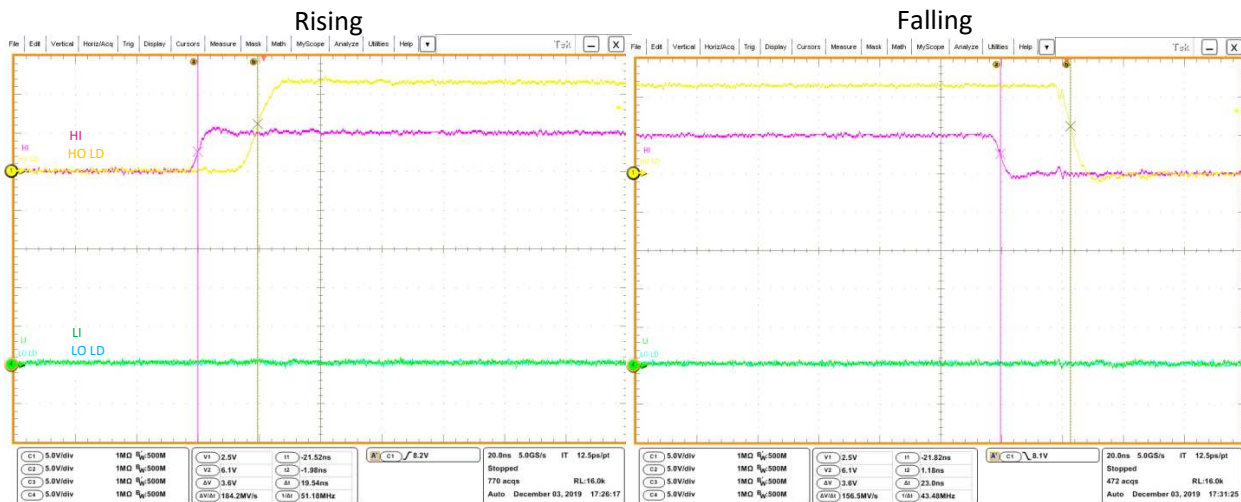


Figure 3. HI and HO Propagation Delay Waveforms (Green and Magenta are PWM Inputs, Yellow and Blue are Driver Outputs)

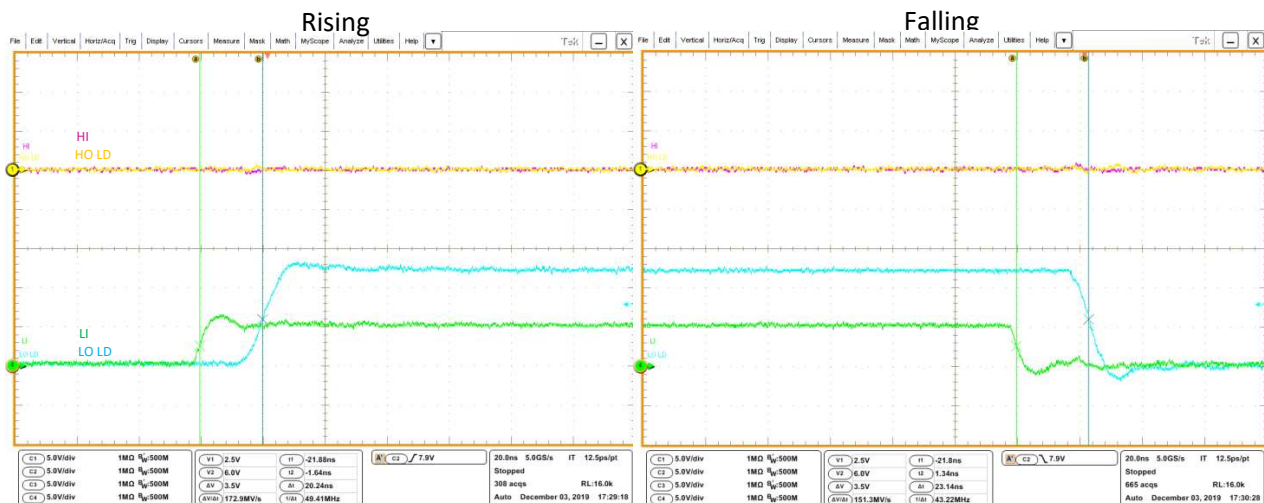


Figure 4. LI and LO Propagation Delay Waveforms (Green and Magenta are PWM Inputs, Yellow and Blue are Driver Outputs)

8 Schematic

Figure 5 shows the LM5108EVM schematic diagram.

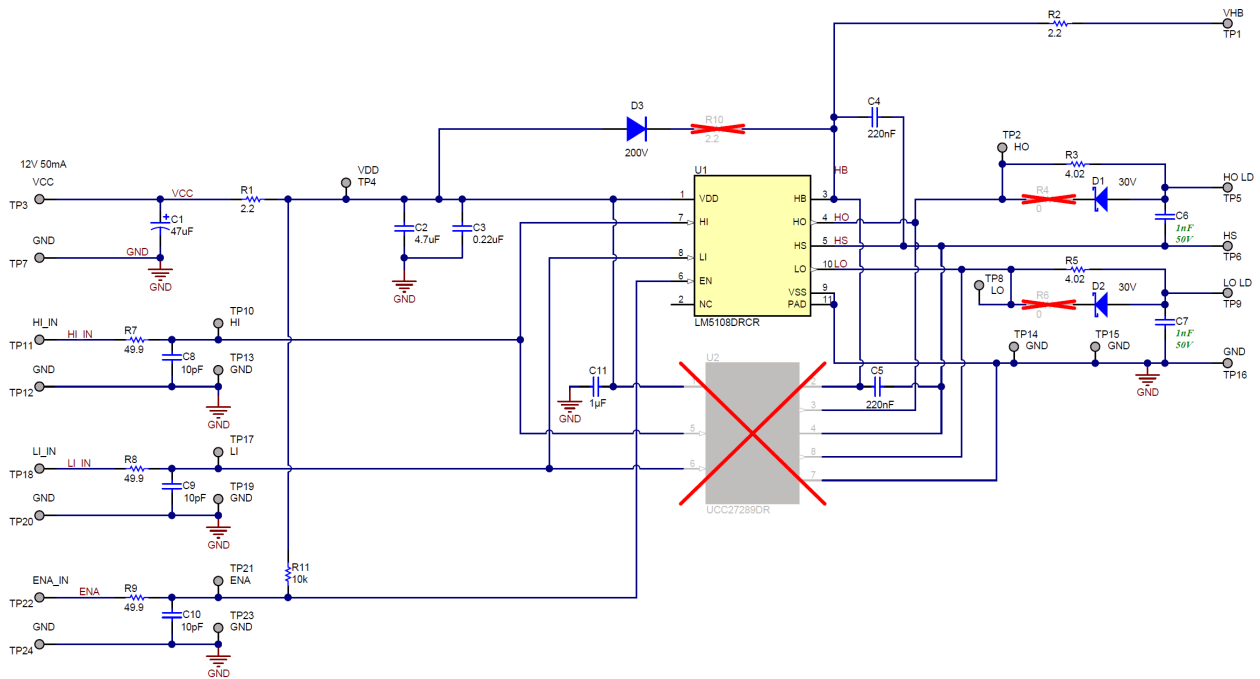


Figure 5. LM5108EVM Schematic

U2 is not installed since it is an alternate driver IC used on a different board assembly variation.

9 Layout Diagrams

The PCB layout information for LM5108EVM is shown in [Figure 6](#) through [Figure 11](#).

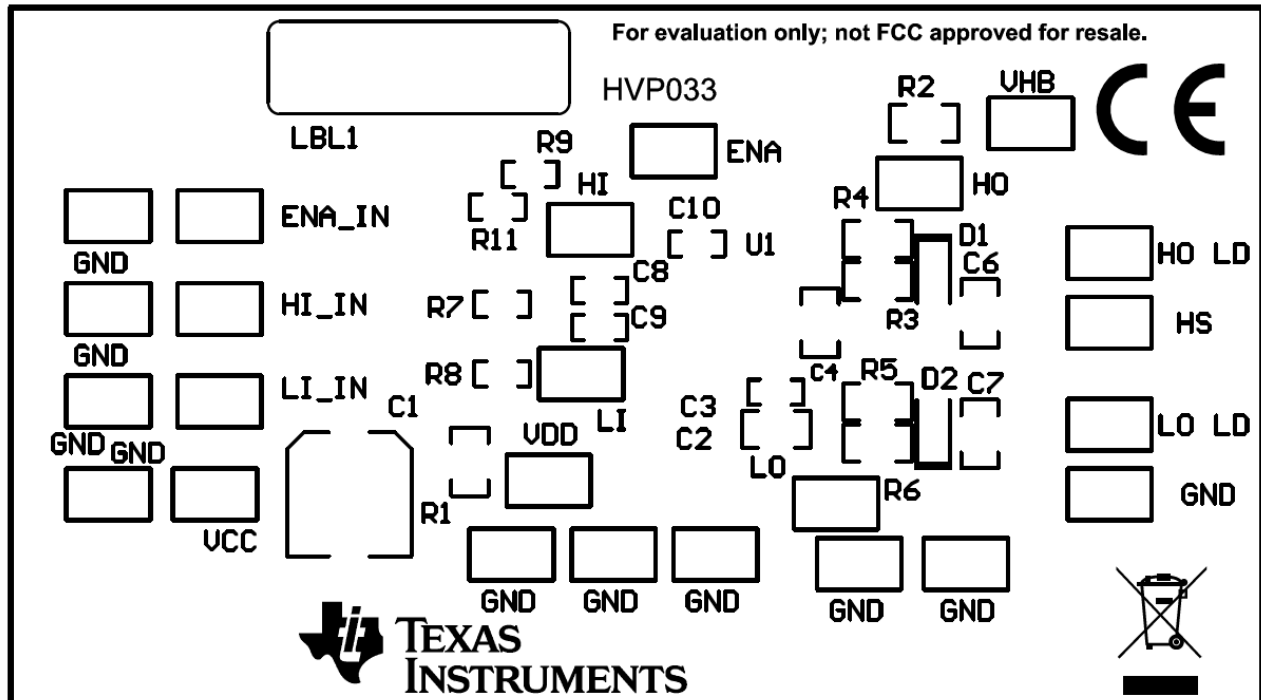


Figure 6. Top Overlay

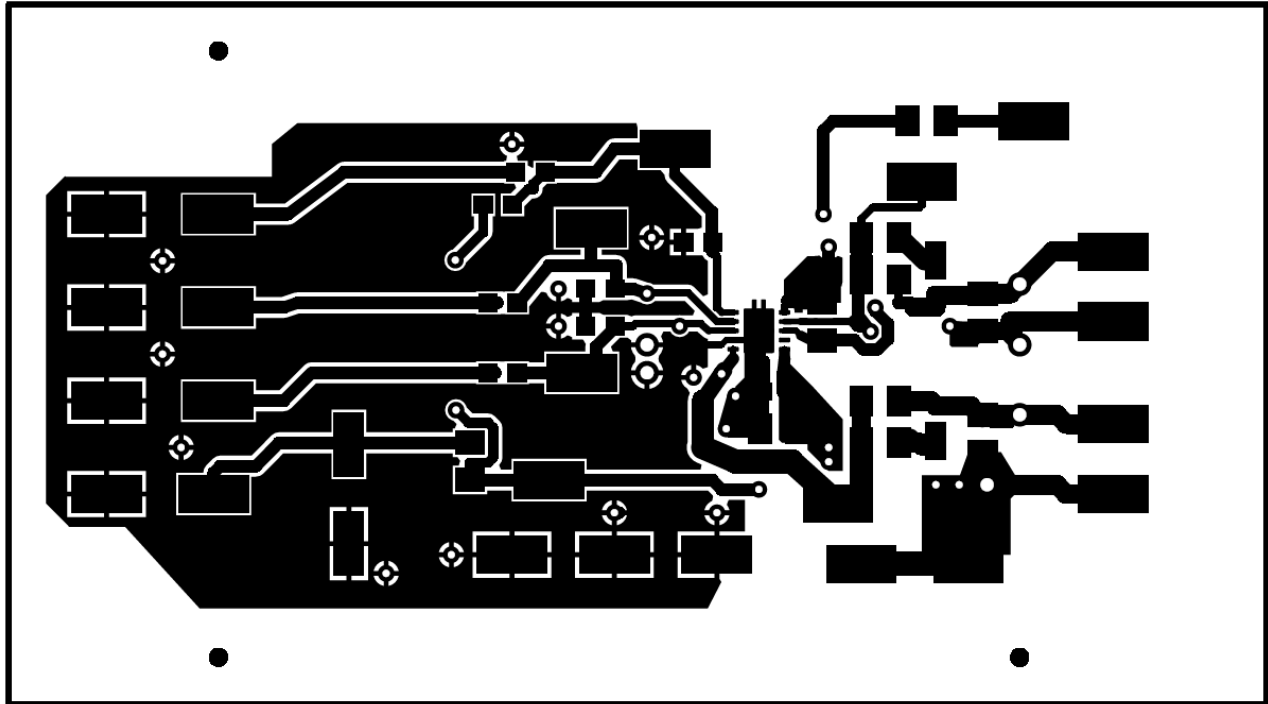


Figure 7. Top Layer

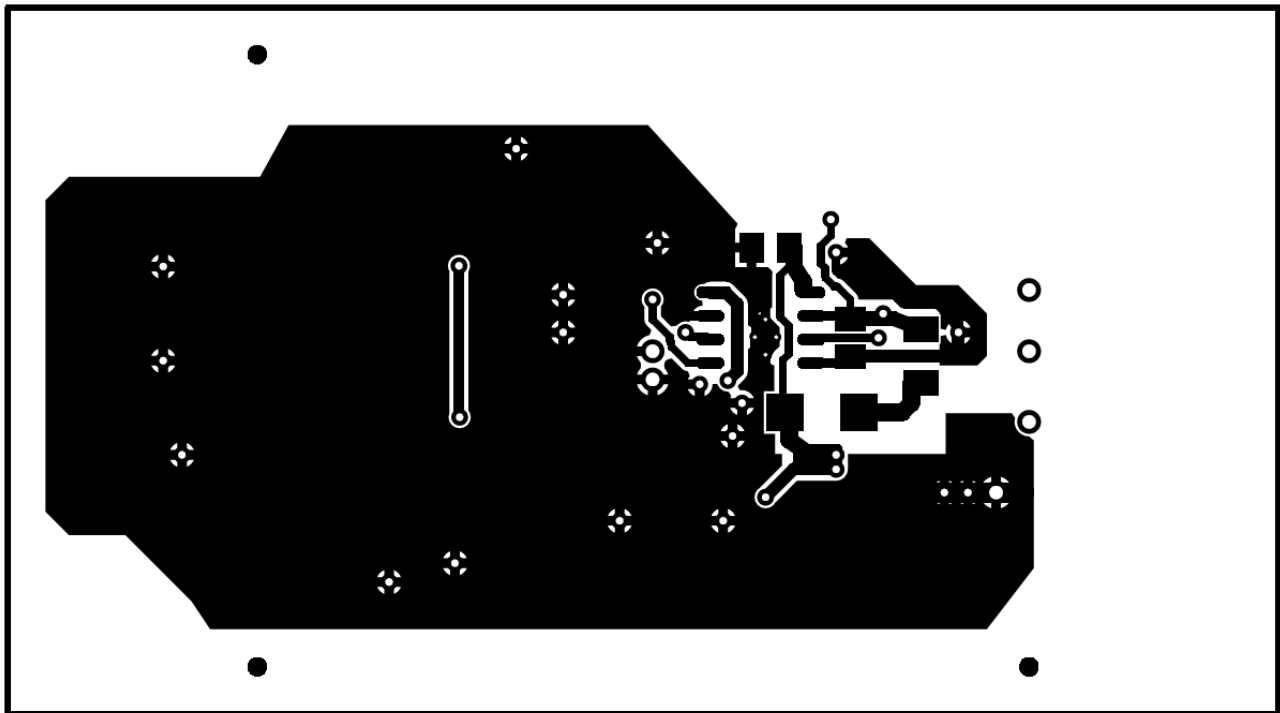


Figure 8. Bottom Layer

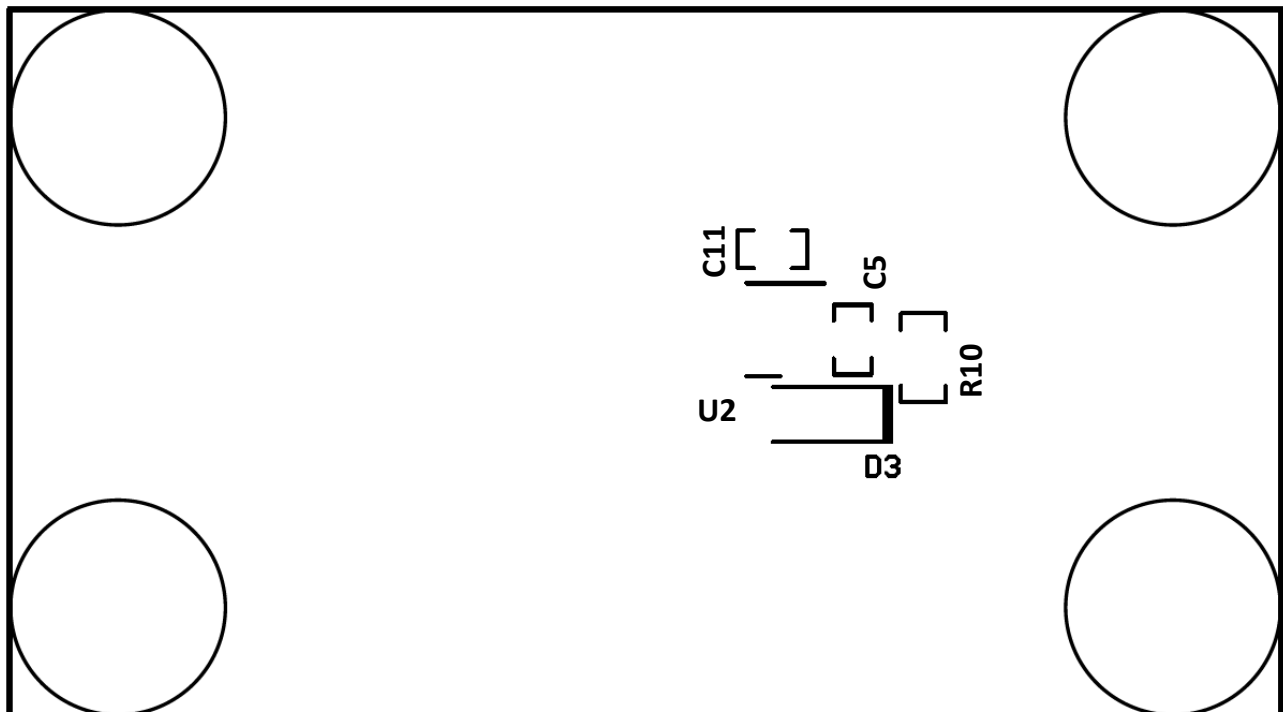


Figure 9. Bottom Overlay

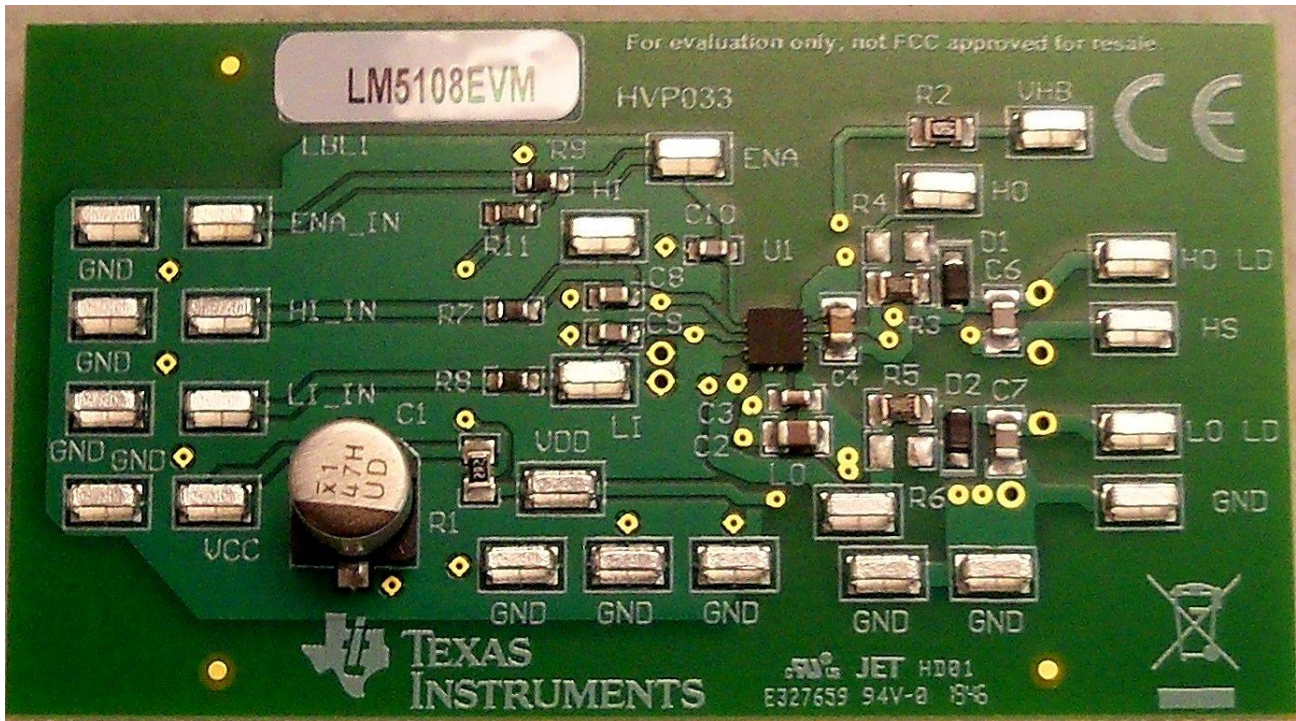


Figure 10. Top Image

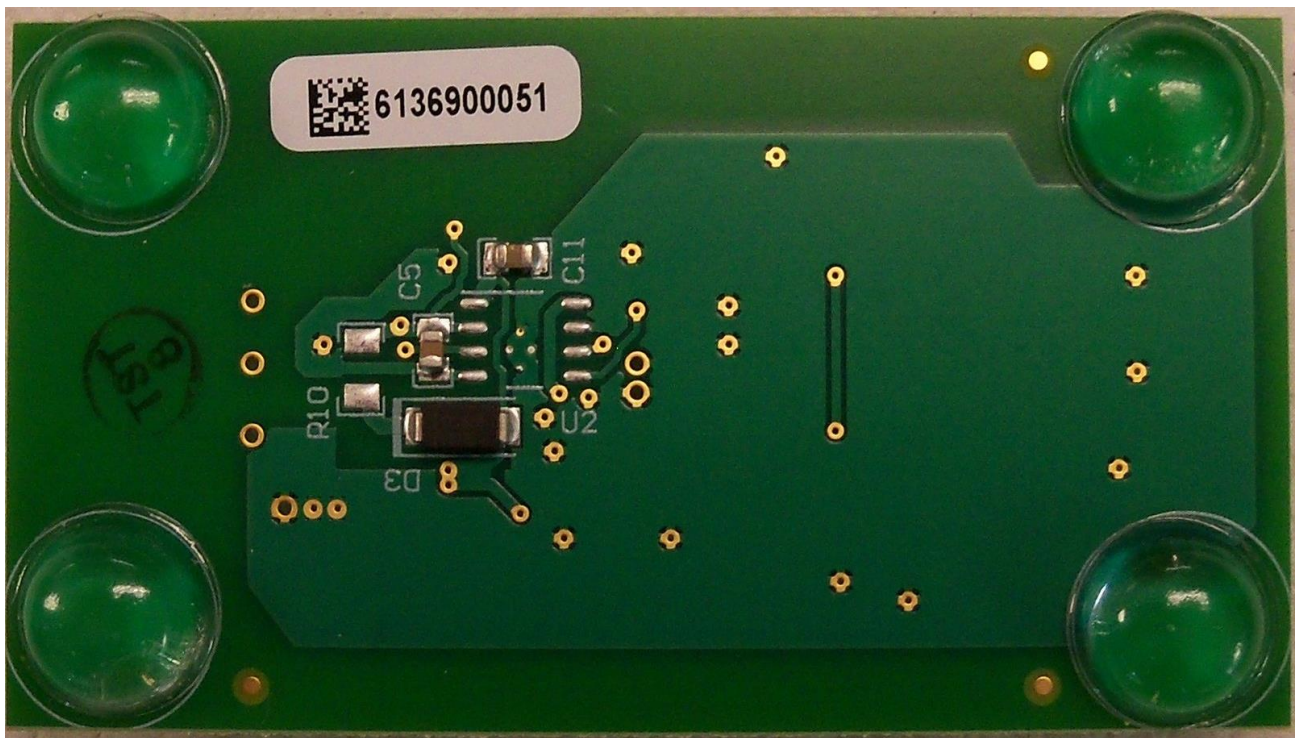


Figure 11. Bottom Image

10 List of Materials

Table 4 lists the LM5108EVM list of materials.

Table 4. LM5108EVM List of Materials

DES	QTY	Description	Part Number	Manufacturer
C1	1	CAP, AL, 47 μ F, 50 V, \pm 20%, 0.68 ohm, SMD	UUD1H470MCL1GS	Nichicon
C2	1	CAP, CERM, 4.7 μ F, 25 V, \pm 10%, X7R, 0805	C2012X7R1E475K125AB	TDK
C3	1	CAP, CERM, 0.22 μ F, 50 V, \pm 10%, X7R, 0603	C1608X7R1H224K080AB	TDK
C4, C5	2	CAP, CERM, 0.22 μ F, 50 V, +/- 10%, X7R, 0805	C0805C224K5RACTU	TDK
C6, C7	2	CAP, CERM, 1000 pF, 50 V, +/- 5%, X7R, 0805	C0805C102J5RACTU	Kemet
C8, C9, C10	3	CAP, CERM, 10 pF, 50 V, +/- 5%, C0G/NP0, 0603	C0603C100J5GACTU	Kemet
D1, D2	2	Diode, Schottky, 30 V, 1 A, AEC-Q101, MicroSMP	MSS1P3L-M3/89A	Vishay-Semiconductor
D3	1	Diode, Ultrafast, 200 V, 1 A, SMA	ES1D-13-F	Diodes Inc.
H1, H2, H3, H4	4	Bumpon, Hemisphere, 0.44 X 0.20, Clear	SJ-5303 (CLEAR)	3M
LBL1	1	Thermal Transfer Printable Labels, 0.650" W x 0.200" H - 10,000 per roll	THT-14-423-10	Brady
R1, R2	2	RES, 2.2, 5%, 0.125 W, 0805	CRCW08052R20JNEA	Vishay-Dale
R3, R5	2	RES, 4.02, 1%, 0.125 W, 0805	RC0805FR-074R02L	Yageo America
R7, R8, R9	3	RES, 49.9, 1%, 0.1 W, 0603	CRCW060349R9FKEA	Vishay-Dale
R11	1	RES, 10 k, 5%, 0.1 W, 0603	RC1608J103CS	Samsung Electro-Mechanics
TP1, TP2, TP3, TP4, TP5, TP6, TP7, TP8, TP9, TP10, TP11, TP12, TP13, TP14, TP15, TP16, TP17, TP18, TP19, TP20, TP21, TP22, TP23, TP24	24	Test Point, Miniature, SMT	5019	Keystone
U1	1	110-V, 1.5-A 2.5-A Peak, 5-V UVLO, 3x3, High-Side/Low-Side Driver, DRC0010J (VSON-10)	LM5108DRCR	Texas Instruments

STANDARD TERMS FOR EVALUATION MODULES

1. *Delivery:* TI delivers TI evaluation boards, kits, or modules, including any accompanying demonstration software, components, and/or documentation which may be provided together or separately (collectively, an "EVM" or "EVMs") to the User ("User") in accordance with the terms set forth herein. User's acceptance of the EVM is expressly subject to the following terms.
 - 1.1 EVMs are intended solely for product or software developers for use in a research and development setting to facilitate feasibility evaluation, experimentation, or scientific analysis of TI semiconductors products. EVMs have no direct function and are not finished products. EVMs shall not be directly or indirectly assembled as a part or subassembly in any finished product. For clarification, any software or software tools provided with the EVM ("Software") shall not be subject to the terms and conditions set forth herein but rather shall be subject to the applicable terms that accompany such Software
 - 1.2 EVMs are not intended for consumer or household use. EVMs may not be sold, sublicensed, leased, rented, loaned, assigned, or otherwise distributed for commercial purposes by Users, in whole or in part, or used in any finished product or production system.
2. *Limited Warranty and Related Remedies/Disclaimers:*
 - 2.1 These terms do not apply to Software. The warranty, if any, for Software is covered in the applicable Software License Agreement.
 - 2.2 TI warrants that the TI EVM will conform to TI's published specifications for ninety (90) days after the date TI delivers such EVM to User. Notwithstanding the foregoing, TI shall not be liable for a nonconforming EVM if (a) the nonconformity was caused by neglect, misuse or mistreatment by an entity other than TI, including improper installation or testing, or for any EVMs that have been altered or modified in any way by an entity other than TI, (b) the nonconformity resulted from User's design, specifications or instructions for such EVMs or improper system design, or (c) User has not paid on time. Testing and other quality control techniques are used to the extent TI deems necessary. TI does not test all parameters of each EVM. User's claims against TI under this Section 2 are void if User fails to notify TI of any apparent defects in the EVMs within ten (10) business days after delivery, or of any hidden defects with ten (10) business days after the defect has been detected.
 - 2.3 TI's sole liability shall be at its option to repair or replace EVMs that fail to conform to the warranty set forth above, or credit User's account for such EVM. TI's liability under this warranty shall be limited to EVMs that are returned during the warranty period to the address designated by TI and that are determined by TI not to conform to such warranty. If TI elects to repair or replace such EVM, TI shall have a reasonable time to repair such EVM or provide replacements. Repaired EVMs shall be warranted for the remainder of the original warranty period. Replaced EVMs shall be warranted for a new full ninety (90) day warranty period.

WARNING

Evaluation Kits are intended solely for use by technically qualified, professional electronics experts who are familiar with the dangers and application risks associated with handling electrical mechanical components, systems, and subsystems.

User shall operate the Evaluation Kit within TI's recommended guidelines and any applicable legal or environmental requirements as well as reasonable and customary safeguards. Failure to set up and/or operate the Evaluation Kit within TI's recommended guidelines may result in personal injury or death or property damage. Proper set up entails following TI's instructions for electrical ratings of interface circuits such as input, output and electrical loads.

NOTE:

EXPOSURE TO ELECTROSTATIC DISCHARGE (ESD) MAY CAUSE DEGRADATION OR FAILURE OF THE EVALUATION KIT; TI RECOMMENDS STORAGE OF THE EVALUATION KIT IN A PROTECTIVE ESD BAG.

3 Regulatory Notices:

3.1 United States

3.1.1 Notice applicable to EVMs not FCC-Approved:

FCC NOTICE: This kit is designed to allow product developers to evaluate electronic components, circuitry, or software associated with the kit to determine whether to incorporate such items in a finished product and software developers to write software applications for use with the end product. This kit is not a finished product and when assembled may not be resold or otherwise marketed unless all required FCC equipment authorizations are first obtained. Operation is subject to the condition that this product not cause harmful interference to licensed radio stations and that this product accept harmful interference. Unless the assembled kit is designed to operate under part 15, part 18 or part 95 of this chapter, the operator of the kit must operate under the authority of an FCC license holder or must secure an experimental authorization under part 5 of this chapter.

3.1.2 For EVMs annotated as FCC – FEDERAL COMMUNICATIONS COMMISSION Part 15 Compliant:

CAUTION

This device complies with part 15 of the FCC Rules. Operation is subject to the following two conditions: (1) This device may not cause harmful interference, and (2) this device must accept any interference received, including interference that may cause undesired operation.

Changes or modifications not expressly approved by the party responsible for compliance could void the user's authority to operate the equipment.

FCC Interference Statement for Class A EVM devices

NOTE: This equipment has been tested and found to comply with the limits for a Class A digital device, pursuant to part 15 of the FCC Rules. These limits are designed to provide reasonable protection against harmful interference when the equipment is operated in a commercial environment. This equipment generates, uses, and can radiate radio frequency energy and, if not installed and used in accordance with the instruction manual, may cause harmful interference to radio communications. Operation of this equipment in a residential area is likely to cause harmful interference in which case the user will be required to correct the interference at his own expense.

FCC Interference Statement for Class B EVM devices

NOTE: This equipment has been tested and found to comply with the limits for a Class B digital device, pursuant to part 15 of the FCC Rules. These limits are designed to provide reasonable protection against harmful interference in a residential installation. This equipment generates, uses and can radiate radio frequency energy and, if not installed and used in accordance with the instructions, may cause harmful interference to radio communications. However, there is no guarantee that interference will not occur in a particular installation. If this equipment does cause harmful interference to radio or television reception, which can be determined by turning the equipment off and on, the user is encouraged to try to correct the interference by one or more of the following measures:

- Reorient or relocate the receiving antenna.
- Increase the separation between the equipment and receiver.
- Connect the equipment into an outlet on a circuit different from that to which the receiver is connected.
- Consult the dealer or an experienced radio/TV technician for help.

3.2 Canada

3.2.1 For EVMs issued with an Industry Canada Certificate of Conformance to RSS-210 or RSS-247

Concerning EVMs Including Radio Transmitters:

This device complies with Industry Canada license-exempt RSSs. Operation is subject to the following two conditions:

(1) this device may not cause interference, and (2) this device must accept any interference, including interference that may cause undesired operation of the device.

Concernant les EVMs avec appareils radio:

Le présent appareil est conforme aux CNR d'Industrie Canada applicables aux appareils radio exempts de licence. L'exploitation est autorisée aux deux conditions suivantes: (1) l'appareil ne doit pas produire de brouillage, et (2) l'utilisateur de l'appareil doit accepter tout brouillage radioélectrique subi, même si le brouillage est susceptible d'en compromettre le fonctionnement.

Concerning EVMs Including Detachable Antennas:

Under Industry Canada regulations, this radio transmitter may only operate using an antenna of a type and maximum (or lesser) gain approved for the transmitter by Industry Canada. To reduce potential radio interference to other users, the antenna type and its gain should be so chosen that the equivalent isotropically radiated power (e.i.r.p.) is not more than that necessary for successful communication. This radio transmitter has been approved by Industry Canada to operate with the antenna types listed in the user guide with the maximum permissible gain and required antenna impedance for each antenna type indicated. Antenna types not included in this list, having a gain greater than the maximum gain indicated for that type, are strictly prohibited for use with this device.

Concernant les EVMs avec antennes détachables

Conformément à la réglementation d'Industrie Canada, le présent émetteur radio peut fonctionner avec une antenne d'un type et d'un gain maximal (ou inférieur) approuvé pour l'émetteur par Industrie Canada. Dans le but de réduire les risques de brouillage radioélectrique à l'intention des autres utilisateurs, il faut choisir le type d'antenne et son gain de sorte que la puissance isotrope rayonnée équivalente (p.i.r.e.) ne dépasse pas l'intensité nécessaire à l'établissement d'une communication satisfaisante. Le présent émetteur radio a été approuvé par Industrie Canada pour fonctionner avec les types d'antenne énumérés dans le manuel d'usage et ayant un gain admissible maximal et l'impédance requise pour chaque type d'antenne. Les types d'antenne non inclus dans cette liste, ou dont le gain est supérieur au gain maximal indiqué, sont strictement interdits pour l'exploitation de l'émetteur.

3.3 Japan

3.3.1 *Notice for EVMs delivered in Japan:* Please see http://www.tij.co.jp/lstds/ti_ja/general/eStore/notice_01.page 日本国内に輸入される評価用キット、ボードについては、次のところをご覧ください。
http://www.tij.co.jp/lstds/ti_ja/general/eStore/notice_01.page

3.3.2 *Notice for Users of EVMs Considered "Radio Frequency Products" in Japan:* EVMs entering Japan may not be certified by TI as conforming to Technical Regulations of Radio Law of Japan.

If User uses EVMs in Japan, not certified to Technical Regulations of Radio Law of Japan, User is required to follow the instructions set forth by Radio Law of Japan, which includes, but is not limited to, the instructions below with respect to EVMs (which for the avoidance of doubt are stated strictly for convenience and should be verified by User):

1. Use EVMs in a shielded room or any other test facility as defined in the notification #173 issued by Ministry of Internal Affairs and Communications on March 28, 2006, based on Sub-section 1.1 of Article 6 of the Ministry's Rule for Enforcement of Radio Law of Japan,
2. Use EVMs only after User obtains the license of Test Radio Station as provided in Radio Law of Japan with respect to EVMs, or
3. Use of EVMs only after User obtains the Technical Regulations Conformity Certification as provided in Radio Law of Japan with respect to EVMs. Also, do not transfer EVMs, unless User gives the same notice above to the transferee. Please note that if User does not follow the instructions above, User will be subject to penalties of Radio Law of Japan.

【無線電波を送信する製品の開発キットをお使いになる際の注意事項】 開発キットの中には技術基準適合証明を受けていないものがあります。技術適合証明を受けていないものご使用に際しては、電波法遵守のため、以下のいずれかの措置を取っていただく必要がありますのでご注意ください。

1. 電波法施行規則第6条第1項第1号に基づく平成18年3月28日総務省告示第173号で定められた電波暗室等の試験設備でご使用いただく。
2. 実験局の免許を取得後ご使用いただく。
3. 技術基準適合証明を取得後ご使用いただく。

なお、本製品は、上記の「ご使用にあたっての注意」を譲渡先、移転先に通知しない限り、譲渡、移転できないものとします。

上記を遵守頂けない場合は、電波法の罰則が適用される可能性があることをご留意ください。日本テキサス・インスツルメンツ株式会社
東京都新宿区西新宿 6 丁目 2 4 番 1 号
西新宿三井ビル

3.3.3 *Notice for EVMs for Power Line Communication:* Please see http://www.tij.co.jp/lstds/ti_ja/general/eStore/notice_02.page
電力線搬送波通信についての開発キットをお使いになる際の注意事項については、次のところをご覧ください。http://www.tij.co.jp/lstds/ti_ja/general/eStore/notice_02.page

3.4 European Union

3.4.1 *For EVMs subject to EU Directive 2014/30/EU (Electromagnetic Compatibility Directive):*

This is a class A product intended for use in environments other than domestic environments that are connected to a low-voltage power-supply network that supplies buildings used for domestic purposes. In a domestic environment this product may cause radio interference in which case the user may be required to take adequate measures.

-
- 4 *EVM Use Restrictions and Warnings:*
 - 4.1 EVMS ARE NOT FOR USE IN FUNCTIONAL SAFETY AND/OR SAFETY CRITICAL EVALUATIONS, INCLUDING BUT NOT LIMITED TO EVALUATIONS OF LIFE SUPPORT APPLICATIONS.
 - 4.2 User must read and apply the user guide and other available documentation provided by TI regarding the EVM prior to handling or using the EVM, including without limitation any warning or restriction notices. The notices contain important safety information related to, for example, temperatures and voltages.
 - 4.3 *Safety-Related Warnings and Restrictions:*
 - 4.3.1 User shall operate the EVM within TI's recommended specifications and environmental considerations stated in the user guide, other available documentation provided by TI, and any other applicable requirements and employ reasonable and customary safeguards. Exceeding the specified performance ratings and specifications (including but not limited to input and output voltage, current, power, and environmental ranges) for the EVM may cause personal injury or death, or property damage. If there are questions concerning performance ratings and specifications, User should contact a TI field representative prior to connecting interface electronics including input power and intended loads. Any loads applied outside of the specified output range may also result in unintended and/or inaccurate operation and/or possible permanent damage to the EVM and/or interface electronics. Please consult the EVM user guide prior to connecting any load to the EVM output. If there is uncertainty as to the load specification, please contact a TI field representative. During normal operation, even with the inputs and outputs kept within the specified allowable ranges, some circuit components may have elevated case temperatures. These components include but are not limited to linear regulators, switching transistors, pass transistors, current sense resistors, and heat sinks, which can be identified using the information in the associated documentation. When working with the EVM, please be aware that the EVM may become very warm.
 - 4.3.2 EVMs are intended solely for use by technically qualified, professional electronics experts who are familiar with the dangers and application risks associated with handling electrical mechanical components, systems, and subsystems. User assumes all responsibility and liability for proper and safe handling and use of the EVM by User or its employees, affiliates, contractors or designees. User assumes all responsibility and liability to ensure that any interfaces (electronic and/or mechanical) between the EVM and any human body are designed with suitable isolation and means to safely limit accessible leakage currents to minimize the risk of electrical shock hazard. User assumes all responsibility and liability for any improper or unsafe handling or use of the EVM by User or its employees, affiliates, contractors or designees.
 - 4.4 User assumes all responsibility and liability to determine whether the EVM is subject to any applicable international, federal, state, or local laws and regulations related to User's handling and use of the EVM and, if applicable, User assumes all responsibility and liability for compliance in all respects with such laws and regulations. User assumes all responsibility and liability for proper disposal and recycling of the EVM consistent with all applicable international, federal, state, and local requirements.
 5. *Accuracy of Information:* To the extent TI provides information on the availability and function of EVMs, TI attempts to be as accurate as possible. However, TI does not warrant the accuracy of EVM descriptions, EVM availability or other information on its websites as accurate, complete, reliable, current, or error-free.
 6. *Disclaimers:*
 - 6.1 EXCEPT AS SET FORTH ABOVE, EVMS AND ANY MATERIALS PROVIDED WITH THE EVM (INCLUDING, BUT NOT LIMITED TO, REFERENCE DESIGNS AND THE DESIGN OF THE EVM ITSELF) ARE PROVIDED "AS IS" AND "WITH ALL FAULTS." TI DISCLAIMS ALL OTHER WARRANTIES, EXPRESS OR IMPLIED, REGARDING SUCH ITEMS, INCLUDING BUT NOT LIMITED TO ANY EPIDEMIC FAILURE WARRANTY OR IMPLIED WARRANTIES OF MERCHANTABILITY OR FITNESS FOR A PARTICULAR PURPOSE OR NON-INFRINGEMENT OF ANY THIRD PARTY PATENTS, COPYRIGHTS, TRADE SECRETS OR OTHER INTELLECTUAL PROPERTY RIGHTS.
 - 6.2 EXCEPT FOR THE LIMITED RIGHT TO USE THE EVM SET FORTH HEREIN, NOTHING IN THESE TERMS SHALL BE CONSTRUED AS GRANTING OR CONFERRING ANY RIGHTS BY LICENSE, PATENT, OR ANY OTHER INDUSTRIAL OR INTELLECTUAL PROPERTY RIGHT OF TI, ITS SUPPLIERS/LICENSORS OR ANY OTHER THIRD PARTY, TO USE THE EVM IN ANY FINISHED END-USER OR READY-TO-USE FINAL PRODUCT, OR FOR ANY INVENTION, DISCOVERY OR IMPROVEMENT, REGARDLESS OF WHEN MADE, CONCEIVED OR ACQUIRED.
 7. *USER'S INDEMNITY OBLIGATIONS AND REPRESENTATIONS.* USER WILL DEFEND, INDEMNIFY AND HOLD TI, ITS LICENSORS AND THEIR REPRESENTATIVES HARMLESS FROM AND AGAINST ANY AND ALL CLAIMS, DAMAGES, LOSSES, EXPENSES, COSTS AND LIABILITIES (COLLECTIVELY, "CLAIMS") ARISING OUT OF OR IN CONNECTION WITH ANY HANDLING OR USE OF THE EVM THAT IS NOT IN ACCORDANCE WITH THESE TERMS. THIS OBLIGATION SHALL APPLY WHETHER CLAIMS ARISE UNDER STATUTE, REGULATION, OR THE LAW OF TORT, CONTRACT OR ANY OTHER LEGAL THEORY, AND EVEN IF THE EVM FAILS TO PERFORM AS DESCRIBED OR EXPECTED.

8. *Limitations on Damages and Liability:*

8.1 *General Limitations.* IN NO EVENT SHALL TI BE LIABLE FOR ANY SPECIAL, COLLATERAL, INDIRECT, PUNITIVE, INCIDENTAL, CONSEQUENTIAL, OR EXEMPLARY DAMAGES IN CONNECTION WITH OR ARISING OUT OF THESE TERMS OR THE USE OF THE EVMS , REGARDLESS OF WHETHER TI HAS BEEN ADVISED OF THE POSSIBILITY OF SUCH DAMAGES. EXCLUDED DAMAGES INCLUDE, BUT ARE NOT LIMITED TO, COST OF REMOVAL OR REINSTALLATION, ANCILLARY COSTS TO THE PROCUREMENT OF SUBSTITUTE GOODS OR SERVICES, RETESTING, OUTSIDE COMPUTER TIME, LABOR COSTS, LOSS OF GOODWILL, LOSS OF PROFITS, LOSS OF SAVINGS, LOSS OF USE, LOSS OF DATA, OR BUSINESS INTERRUPTION. NO CLAIM, SUIT OR ACTION SHALL BE BROUGHT AGAINST TI MORE THAN TWELVE (12) MONTHS AFTER THE EVENT THAT GAVE RISE TO THE CAUSE OF ACTION HAS OCCURRED.

8.2 *Specific Limitations.* IN NO EVENT SHALL TI'S AGGREGATE LIABILITY FROM ANY USE OF AN EVM PROVIDED HEREUNDER, INCLUDING FROM ANY WARRANTY, INDEMNITY OR OTHER OBLIGATION ARISING OUT OF OR IN CONNECTION WITH THESE TERMS, , EXCEED THE TOTAL AMOUNT PAID TO TI BY USER FOR THE PARTICULAR EVM(S) AT ISSUE DURING THE PRIOR TWELVE (12) MONTHS WITH RESPECT TO WHICH LOSSES OR DAMAGES ARE CLAIMED. THE EXISTENCE OF MORE THAN ONE CLAIM SHALL NOT ENLARGE OR EXTEND THIS LIMIT.

9. *Return Policy.* Except as otherwise provided, TI does not offer any refunds, returns, or exchanges. Furthermore, no return of EVM(s) will be accepted if the package has been opened and no return of the EVM(s) will be accepted if they are damaged or otherwise not in a resalable condition. If User feels it has been incorrectly charged for the EVM(s) it ordered or that delivery violates the applicable order, User should contact TI. All refunds will be made in full within thirty (30) working days from the return of the components(s), excluding any postage or packaging costs.

10. *Governing Law:* These terms and conditions shall be governed by and interpreted in accordance with the laws of the State of Texas, without reference to conflict-of-laws principles. User agrees that non-exclusive jurisdiction for any dispute arising out of or relating to these terms and conditions lies within courts located in the State of Texas and consents to venue in Dallas County, Texas. Notwithstanding the foregoing, any judgment may be enforced in any United States or foreign court, and TI may seek injunctive relief in any United States or foreign court.

Mailing Address: Texas Instruments, Post Office Box 655303, Dallas, Texas 75265
Copyright © 2019, Texas Instruments Incorporated

IMPORTANT NOTICE AND DISCLAIMER

TI PROVIDES TECHNICAL AND RELIABILITY DATA (INCLUDING DATASHEETS), DESIGN RESOURCES (INCLUDING REFERENCE DESIGNS), APPLICATION OR OTHER DESIGN ADVICE, WEB TOOLS, SAFETY INFORMATION, AND OTHER RESOURCES "AS IS" AND WITH ALL FAULTS, AND DISCLAIMS ALL WARRANTIES, EXPRESS AND IMPLIED, INCLUDING WITHOUT LIMITATION ANY IMPLIED WARRANTIES OF MERCHANTABILITY, FITNESS FOR A PARTICULAR PURPOSE OR NON-INFRINGEMENT OF THIRD PARTY INTELLECTUAL PROPERTY RIGHTS.

These resources are intended for skilled developers designing with TI products. You are solely responsible for (1) selecting the appropriate TI products for your application, (2) designing, validating and testing your application, and (3) ensuring your application meets applicable standards, and any other safety, security, or other requirements. These resources are subject to change without notice. TI grants you permission to use these resources only for development of an application that uses the TI products described in the resource. Other reproduction and display of these resources is prohibited. No license is granted to any other TI intellectual property right or to any third party intellectual property right. TI disclaims responsibility for, and you will fully indemnify TI and its representatives against, any claims, damages, costs, losses, and liabilities arising out of your use of these resources.

TI's products are provided subject to TI's Terms of Sale (www.ti.com/legal/termsofsale.html) or other applicable terms available either on ti.com or provided in conjunction with such TI products. TI's provision of these resources does not expand or otherwise alter TI's applicable warranties or warranty disclaimers for TI products.

Mailing Address: Texas Instruments, Post Office Box 655303, Dallas, Texas 75265
Copyright © 2020, Texas Instruments Incorporated